

Protection and Maintenance

- Clean the rubber roller: after being used for a long time, melted plastic leavings will be adhered on the rubber roller, which is liable to make laminating film roll into the machine. In addition, these leavings are hard to be removed once they become solid. Therefore, please clean the rubber roller carefully. Cleaning procedures: laminate paper with medium thickness, such as calendar, catalog and so on, at the highest grade temperature many times without laminating film.
- Clean the laminating machine: pull out the power plug before cleaning. Clean it with slightly wet cloth. Do not use gasoline, alcohol and thinner to clean the machine. It is even more unallowable to use metal brush, tool brush and scoop to knock the rubber roller which may damage the roller.
- Please use proper hood to cover the machine to keep away from dust if the machine won't be used for a long time.

Packing List

No.	Name	Quantity	Remark
1	Laminating Machine	One set	
2	Instruction Manual	One copy	
3	Warranty Card	One copy	
4	Quality Certificate	One copy	

Technical Parameters

Product No	No.3891	No.3892	No.3893	No.3894
Maximum Length of Laminating	230mm(A4 size)	320mm(A3 Size)	230mm(A4 size)	320mm(A3 Size)
Power	310W	410W	200W	410W
Voltage	AC230V 50Hz			
Maximum Thickness for Laminating	< 0.6mm (including the thickness of film)			
Laminating Speed	300mm/min			
Heating Range	85°C~145°C			
Heating Method	Heating outside			
Noise	< 55dB			
Time for Pre-heating	About 7min		About 5min	
Product Size	373mmx145mmx103mm	466mmx145mmx103mm	365mmx145mmx90mm	460mmx145mmx90mm
Net Weight	2.2kg	2.8kg	1.8kg	2.3kg

We won't issue additional notices for improvements of properties. The specifications allow ±5% errors



Class II equipment.



To refer to text in an accompanying document.



Only suitable for use in indoors.



This appliance bears the WEEE mark (Waste of Electric and Electronic Equipment) signifying that, at the end of its life cycle, it should not be disposed of with household waste, but at a recycling centre. The recycling of waste contributes to the conservation of our environment.



In case abnormal situations happen including fuming or having unpleasant smell and so on, please cut off the electricity and stop operating.
※ To prevent fire or electric shock.



In case the power is off during operation, please take out the laminated object immediately and pull out the power plug.
※ To prevent fire and electric shock.



Please do not forget to pull out the power plug before moving the machine.



Please do not use it if there is any damage to the machine or the power wire.
※ To prevent fire or electric shock.



Please confirm the state of feeding/retracting during operation. (See figure)



Correct

Error

Correct

Safety Precautions for Operation

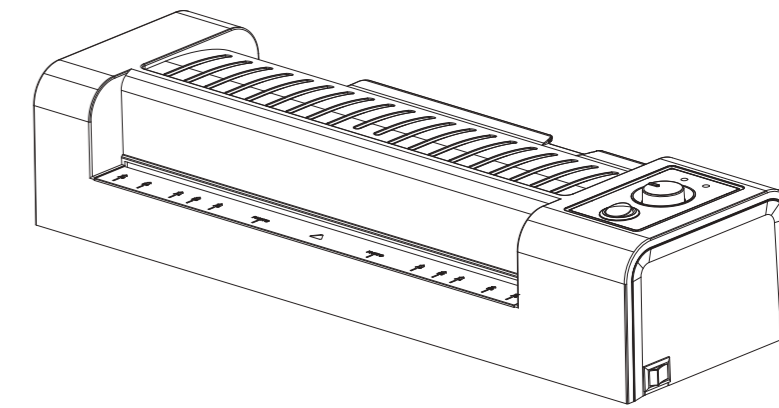
(Please observe the following instructions to make sure a safe operation.)

- Places (1) To prevent such accidents of electric leakage and so on caused by isolation failure, do not place it in wet areas and places close to outlet of air conditioner.
- Please place the machine steadily and leave sufficient space to the film eject of laminating machine.
 - Do not put heavy products on the machine.
 - Please use electric power of AC230V.
 - The plug on the power supply cord is intended to serve as the disconnect device. The socket-outlet shall be installed near the equipment and shall be easily accessible.

Laminating Film (1) The suitable thickness of the laminating film is 80mic~200mic. We suggest using the film of our company. Films of other specifications or poor qualities may be rolled into the machine.

LAMINATOR USER'S MANUAL

NO.3891 NO.3892
NO.3893 NO.3894



deliCONTENT

- Precautions for operation P1
- Safety Precautions for Operation P2
- Laminating Methods P3
- Product Structure and Appearance P3
- Operating Instruction of Laminating P4
- Packing list P4
- Protection and Maintenance P4
- Technical Parameters P5
- Trouble Shooting P6
- Guarantee and After-sale Service P6
- Recycle P6

Read carefully the Instruction Manual before using the machine.

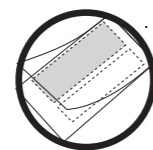
DELI GROUP CO., LTD.
301 Xuxiake Ave. Ninghai County
Ningbo 315600 China Made in China
info@nbdeli.com www.deliworld.com



- It is suggested that the laminating film should be 5~6mm larger than the object being laminated. Too large or too small film may affect the laminating effects. If no suitable laminating film is available, use bigger one. Do as what the following figure shows. Insert other paper and cut the superfluous part after laminated.

The Laminated Object Laminating is carried out through heating and adding pressure. Inappropriate operation may make the laminating film rolled into the machine. Therefore, please do not laminate the following objects.

- Products which are flammable and liable to be melted after heated (such as plastic bags, etc.);
- Important objects which only have one copy;
- Products with thickness over 0.6mm, including the thickness of the laminating film;
- Objects whose colors and quality may be changed after heated, such as thermal paper and pictures with patterns drawn by crayons;

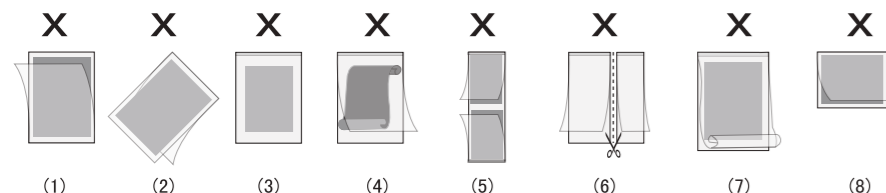


When the laminating film doesn't fit
Figure (A)

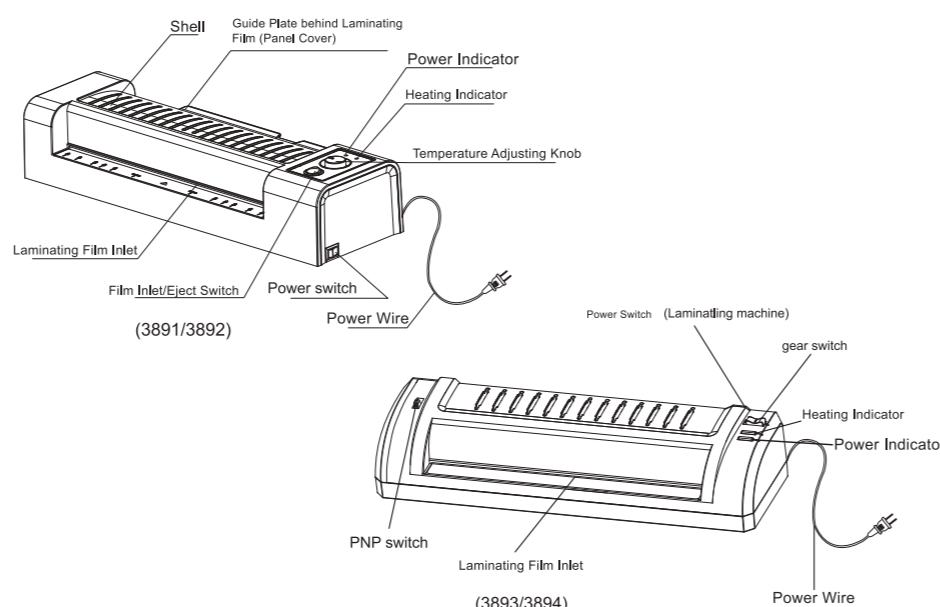
Laminating Methods

DO NOT adopt the following laminating methods:

- Put the open side of the laminating film in the machine.
- Put the laminating film into use when it is tilted.
- The specifications of the originals and the laminating film are not fit for each other, in which film are much larger than the original.
- The original is rippled or curled.
- Use two pieces of film successively.
- Cut film for laminating.
- Use deformed film for laminating.
- The length of laminating film is less than 65mm.



Product Structure and Appearance



Operating Instruction of Laminating

Product No.	3891/3892	3893/3894
Turn on	Connect the power plug Open the back guide plate which is also the way to power on (the power switch hidden inside turns on automatically).	Connect the power plug Open the back guide plate which is also the way to power on (the power switch hidden inside turns on automatically).
Heat laminating	If hot plastic cement is needed, adopt heat laminating film. Turn the temperature adjusting knob to the position indicated by the arrowhead which is corresponding with the thickness of the adopted film. After about 7mins's for preheating the heating indicator lightens and stops flashing, indicating that it finishes preheating and is ready for laminating. If the laminated film needs to be taken out, or is tilted, jammed, pls turn off the machine and pull the film by hand.	If hot plastic cement is needed, adopt heat laminating film. Turn the temperature adjusting knob to the position indicated by the arrowhead which is corresponding with the thickness of the adopted film. After about 5mins's for preheating the heating indicator lightens and stops flashing, indicating that it finishes preheating and is ready for laminating. If the laminated film needs to be taken out, or is tilted, jammed, pls turn off the machine and pull the film by hand.
Cool laminating	If cool laminating is needed, adopt cool laminating film. Turn the temperature adjusting knob to the position indicated by the cool laminating arrowhead and begin to laminating directly. If cool laminating is needed after the hot laminating for a period of time, turn the temperature adjusting knob to the position indicated by the cool laminating arrowhead and begin to laminate only after the machine running without laminating for 10min.	
Turn off	Turn the temperature adjusting knob to the position of the cool laminating after cooling 5 or 10 mins, close the back guide plate, pull off the plug.	After laminating, turn the temperature adjusting knob to 80~110 mic and operate in 5~10 mins, turn off the machine, pull off the plug. (If already work under 80~110mic, turn off the machine directly.)

Thank you for buying the laminating machine of Deli Company. Please use the laminating film (trade mark: **deli**) of our company correspondingly. Paper and photos laminated by it feature smooth and clear surface, beautiful appearance as well as waterproof and wear-resistance properties. However please note it is impossible to remove the film after laminating

For correct operation of the machine and prevention of injury and damage to properties, please read this manual carefully before operating.

Precautions for Operation



- Danger. Please do not let children use it.
※ To prevent body injuries.
- Danger. Please do not touch the film inlet while the machine is running.
※ To prevent accidental injuries.
- Danger. Please do not touch the surface of machine while it is running.
※ To prevent accidental injuries.
- Danger. Please do not let such accessories as the tie, necklace etc. close to the film inlet during operation.
※ To prevent accidental injuries.
- Danger. Please do not let the hair close to the film inlet during operation.
※ To prevent accidental injuries.
- Danger. Attention: the surface of machine has a high temperature when the machine is running.
※ To prevent accidental injuries.
- Danger. Do not disassemble, alter and repair the machine in any way on your own.
※ To prevent electric shock or accidental injuries. In case faults such as products rolled into the machine occur, please pull out the power plug and call distribution outlets or after-sale service center. Do in accordance with their instructions.
- Danger. Do not water the machine.
※ To prevent fire or electric shock.
- Danger. Do not operate the machine with wet hands.
※ To prevent electric shock or accidental injuries.
- Danger. Do not break or process the power wire and do not put heavy products on the wire.
※ To prevent fire or accidental injuries.

Trouble Shooting

Abnormal Phenomena	Reasons	Treatments
Laminated objects are wrapped by white fog, or upward vertical ripples are appearing on the adhesive tape breaks away from its original	Machine temperature is too low the thickness of the chosen of the laminating film are inconsistent. Laminated objects are affected by damp	Move film thickness adjustment control to the corresponding position (to accommodate the thickness of laminating film (or slightly increase the temperature). Laminated the objects when heating indicator (in green) stop flashing
Laminated objects are crumpled up (with ripples) or are full of air bubbles	Temperature chosen is not corresponding to the film temperature, which leads to the overheating of the machine.	Reduce the initiated temperature, and place temperature controller to the scale that is suitable to the thickness of the film. Start laminating 10minutes after the new temperature is set up.
Green light is flashing but the temperature does not increase	Heating device in the machine is burnt out.	Contact after-sale center or call for professional electrician
Machine stop operating, power indicator is not on	Power plug is not connected properly with the electrical outlet Overheating protector or tube fuse is burnt out Power switch is off.	Check whether power plug and the electrical outlet is properly connected Contact after-sale center or call for professional electrician Switch on the power
Power supply indicator (in red), heating indicator (in green) always bright, inlet does not automatically suck in laminating film.	Inlet/Eject button is initiated at film ejection position Laminated objects are not properly installed Internal transmission is broken Stop switch is at the stop position.	Adjust the button to the inlet position Laminated objects shall be inserted to the rubber roller Contact after-sale center or call for professional electrician Turn the stop switch to the working side.
Laminated objects go into the inlet but do not come out of the outlet	Laminated objects are rolled into the machine Internal transmission is broken	Press eject button immediately Contact after-sale center or call for professional electrician
ready light doesn't turn on	Green light has been damaged Heating device inside the machine is burnt.	Contact after-sales service center or professional electrician for the solution. Contact after-sale service center or professional electrician for the solution

Guarantee and After-sale Service

Please contact local agents for the repairing of malfunctions caused by normal operation within the guarantee period. However, guarantee does not cover malfunctions caused by misuse of the machine.

Recycle

Please send the wasted electronic products and packaging materials to specialised recycle station, since it is helpful to improve waste treatment and material recycling.