



FDZN 4001

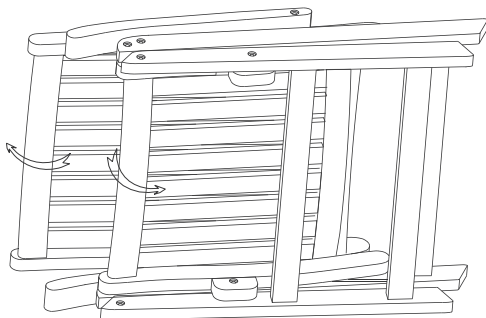
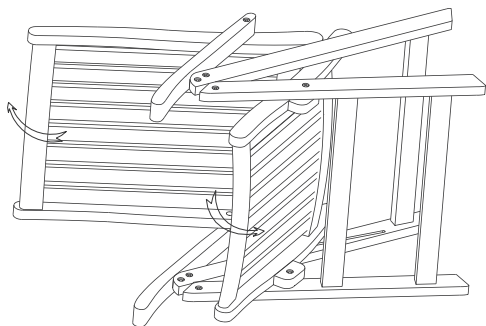
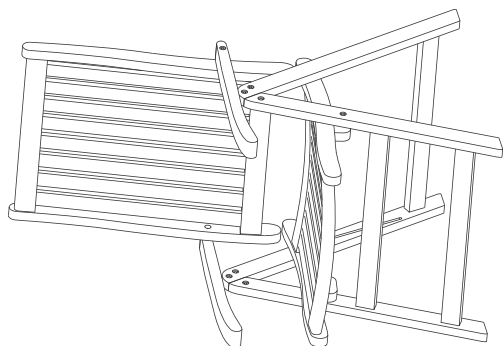


FDZN 4002

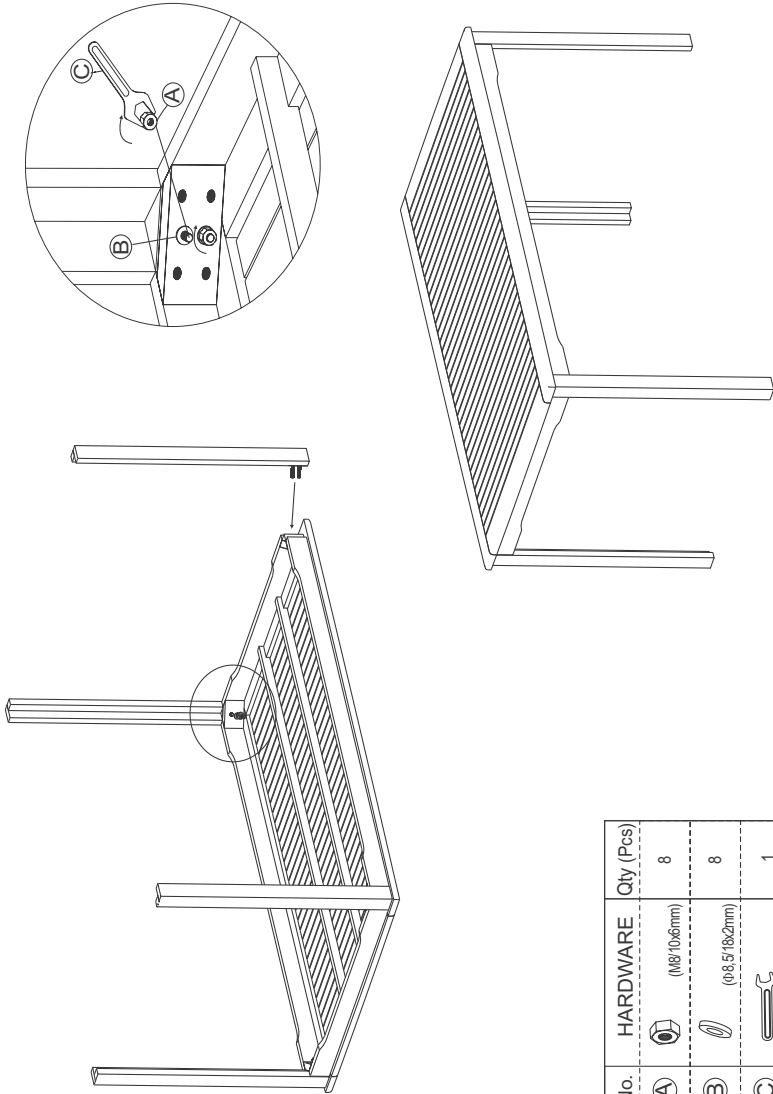





FDZN 4003





## ASSEMBLY INSTRUCTION



| No. | HARDWARE  | Qty (Pcs) |
|-----|---|-----------|
| A   |  (M8 10x6mm)   | 8         |
| B   |  (Ø8,5/18/2mm) | 8         |
| C   |                | 1         |

