



ARISTON

SPARE PARTS EXPLODED VIEW STORAGE ELECTRIC WATER HEATERS

Model

VELIS TECH R ABS

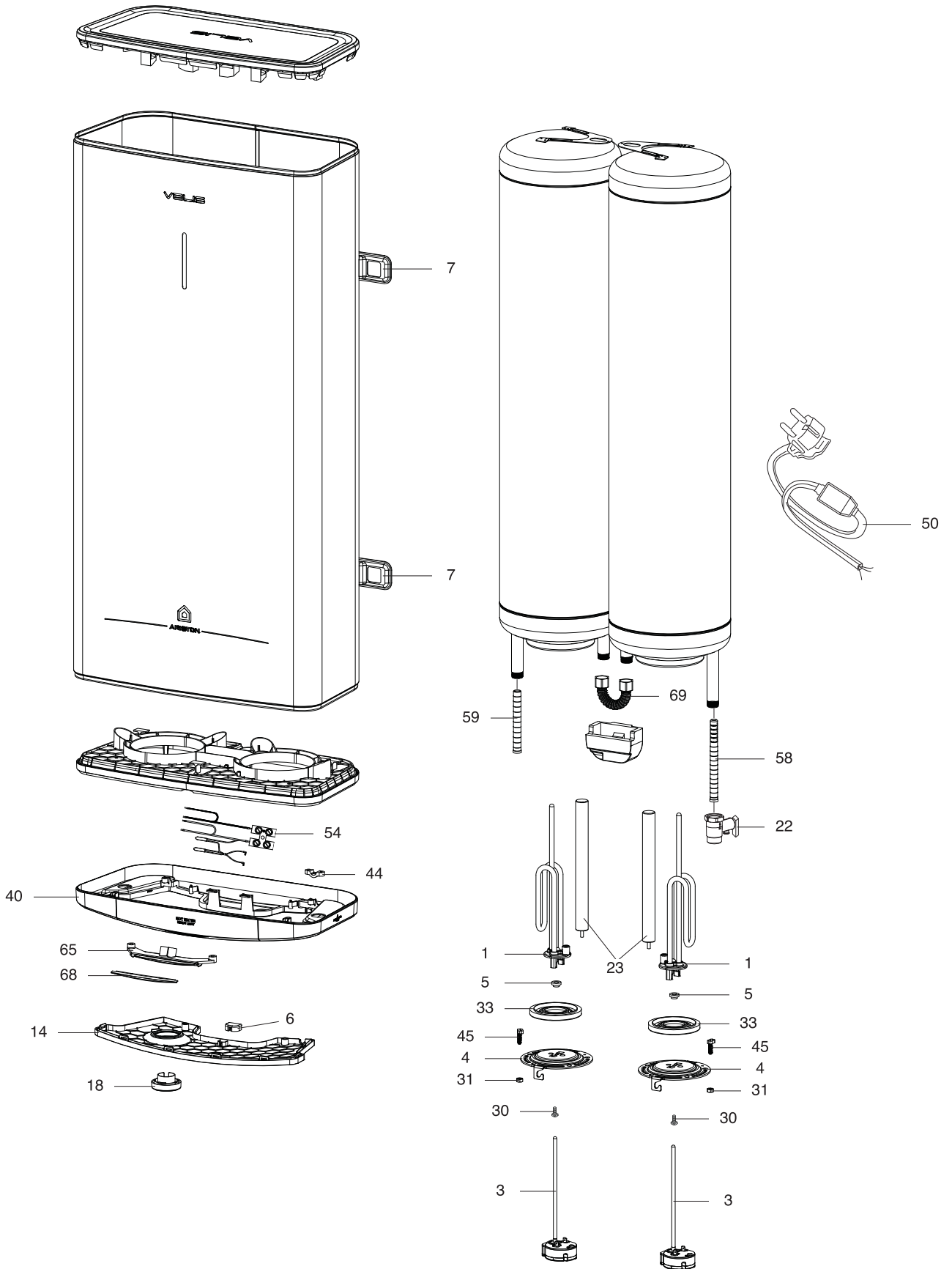
R8218679-01 - 07/04/2021

VELIS TECH R ABS

Storage Electric Water Heaters

1	3700689	VELIS TECH INOX R ABS 30	04-2021	-
2	3700711	VELIS TECH R ABS 30	04-2021	-
3	3700690	VELIS TECH INOX R ABS 50	04-2021	-
4	3700712	VELIS TECH R ABS 50	04-2021	-
5	3700691	VELIS TECH INOX R ABS 80	04-2021	-
6	3700713	VELIS TECH R ABS 80	04-2021	-
7	3700692	VELIS TECH INOX R ABS 100	04-2021	-
8	3700714	VELIS TECH R ABS 100	04-2021	-

Col	Reference	Model type	Begin	End
-----	-----------	------------	-------	-----



№	Description	Manf. Pt. N	Type	VELIS TECH R ABS																	
				1	2	3	4	5	6	7	8	9	10	11	12	13	14	15	16	17	18
0001	НАГРЕВАТЕЛЬНЫЙ ЭЛЕМЕНТ 1000W 220-240V	65120782		•	•	•	•	•	•	•	•	•									
0003	ТЕРМОСТАТ	65117771		•	•	•	•	•	•	•	•	•									
0004	ФЛАНЕЦ (5 БОЛТОВ)	65180108			•		•		•		•		•		•		•		•		
	ФЛАНЕЦ (5 БОЛТОВ)	65180159		•		•		•		•		•		•		•		•			
0005	ШАЙБА ПЛАСТИКОВАЯ	65180158		•		•		•		•		•		•		•		•			
0006	ВОДОЗАЩИТНЫЙ КОЛПАК	65180442		•	•	•	•	•	•	•	•	•									
0007	КРОНШТЕЙН	65152905		•	•	•	•	•	•	•	•	•									
0014	КРЫШКА ПЛАСТИКОВАЯ	65180454		•	•	•	•	•	•	•	•	•									
0018	РУЧКА РЕГУЛИРОВКИ	65180455		•	•	•	•	•	•	•	•	•									
0022	ПРЕДОХРАНИТЕЛЬНЫЙ КЛАПАН (1/2" 6 БАР)	65151712		•		•		•		•		•		•		•		•			
	ПРЕДОХРАНИТЕЛЬНЫЙ КЛАПАН (1/2" 8,5 БАР)	571730			•		•		•		•		•		•		•		•		
0023	МАГНИЕВЫЙ АНОД D:21,3 L:180 M5	65180015		•	•	•	•	•	•	•	•	•									
	МАГНИЕВЫЙ АНОД D:25,5 L:230 M5-M8	993014-01										•		•		•		•			
0030	ВИНТ М6Х12	993000		•	•	•	•	•	•	•	•	•									
0031	ГАЙКА М6	994140		•	•	•	•	•	•	•	•	•									
0033	ПРОКЛАДКА ФЛАНЦА	65111788		•	•	•	•	•	•	•	•	•									
0040	КРЫШКА ПЛАСТИКОВАЯ НИЖНЯЯ	65180456		•	•	•	•	•	•	•	•	•									
0044	ЗАЖИМ ДЛЯ КАБЕЛЯ	573266		•	•	•	•	•	•	•	•	•									
0045	ВИНТ М6Х20	65151225		•	•	•	•	•	•	•	•	•									
0050	КАБЕЛЬ ПИТАНИЯ С УЗО (16А 1,0м)	65150965		•	•	•	•	•	•	•	•	•									
0054	КОМПЛЕКТ ПРОВОДОВ	65120783		•	•	•	•	•	•	•	•	•									
0058	РАССЕКАТЕЛЬ ВОДЫ (1/2" Н=159)	65152176		•	•	•	•	•	•	•	•	•									
0059	РАССЕКАТЕЛЬ ВОДЫ (1/2" Н=100)	65152177		•	•	•	•	•	•	•	•	•									
0065	СВЕТОВОД	65180453		•	•	•	•	•	•	•	•	•									
0068	LED ИНДИКАТОР	65180449		•	•	•	•	•	•	•	•	•									
0069	ТРУБКА СОЕДИНИТЕЛЬНАЯ	65152492		•	•	•	•	•	•	•	•	•									

LIST OF THE ABBREVIATIONS

HW	: Hot water.
CW	: Cold water.
C	: Ceramic resistance (normal heating).
Ca	: Ceramic resistance (accelerated heating)
TP	: Immersion heater.
1F	: With fittings.
2F	: Without fittings.
3F	: With fittings and another outlet connection.
AMI	: With mixing valve.
SMI	: Without mixing valve.
PUISS	: Power of th appliance.
PN	: Appliance with normal pression.
LP	: Appliance with low pression.
PV	: Appliance with variable power.
PF	: Appliance with fixed power.

IDENTIFICATION PLATE

SERIAL NUMBER

6 Characters :	03 09 08	Manufacturing day Month of manufacture
Year of manufacture	03 09 08	
9 Characters :	5 9 12 0606	Sequential number
Year of manufacture	5 9 12 0606	
Month of manufacture	5 9 12 0606	
14 Characters :	SI-V-0B0 45 07 0001	Sequential number Year of manufacture : → 6 → 2004 Month of manufacture : → 25 → January 43 → July 7 → 2005 Product model → 13 → February 29 → August 8 → 2006 32 → March 40 → September etc ... 35 → April 38 → October 39 → May 51 → November 45 → June 12 → December
SI-V-0B0 45 07 0001		
14 Characters :	111518 XX 000010	Sequential number Year of manufacture
Month of manufacture	111518 XX 000010	
Day of manufacture	111518 XX 000010	
15 Characters :	02 11 00001 007843	Product reference Sequential number
Year of manufacture	02 11 00001 007843	
Month of manufacture	02 11 00001 007843	
21 Characters :	3200050 XX 08115 0000001	Sequential number Year (08) / Manufacturing day (115)
Product reference	3200050 XX 08115 0000001	
22 Characters :	3200050 XX 070115 0000001	Sequential number Year (07) / Month (01) / Manufacturing day (15)
Product reference	3200050 XX 070115 0000001	

The indications mentioned on the prices, commercial or technical literature and the scheme are written for your guidance and are available at a given time. The CONSTRUCTOR retains the power to modify the presentation, the form, the size, the conception or the material of the products.