

Milwaukee®

Nothing but **HEAVY DUTY**®



M12 BDD M12 BPD

Original instructions
Originalbetriebsanleitung
Notice originale
Istruzioni originali
Manual original
Oorspronkelijke
gebruiksaanwijzing
Original brugsanvisning
Original bruksanvisning
Bruksanvisning i original
Alkuperäiset ohjeet

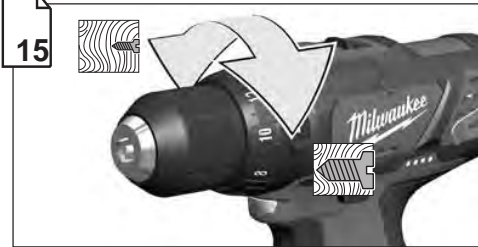
Πρωτότυπο οδηγιών χρήσης
Orijinal işletme talimatı
Původním návodem k
používání
Pôvodný návod na použitie
Instrukcją oryginalną
Eredeti használati utasítás
Izvirna navodila
Originalne pogonske upute
Instrukcijām oriģinālvalodā
Originali instrukcija

Algupärane kasutusjuhend
Оригинальное руководство
по эксплуатации
Оригинално ръководство за
експлоатация
Instrucțiuni de folosire
originale
Оригинален прирачник за
работа
原始的指南

TM.by
ONLINE STORE

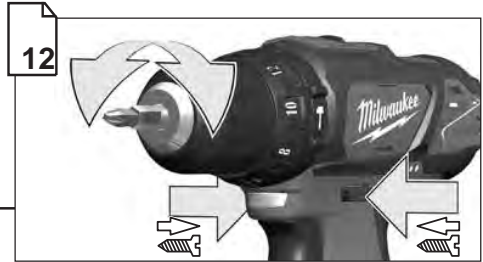
<https://tm.by>
Интернет-магазин

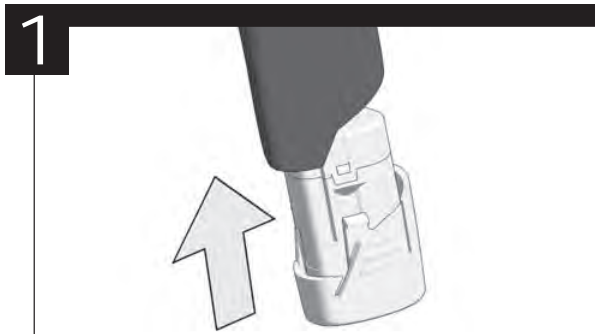
Technical Data, safety instructions, Specified Conditions of Use, EC-Declaration of Conformity, Batteries, Characteristics, Maintenance, Symbols	Please read and save these instructions!	ENGLISH	16
Technische Daten, Sicherheitshinweise, Bestimmungsgemäße Verwendung, CE-Konformitätserklärung, Akkus, Merkmale, Wartung, Symbole	Bitte lesen und aufbewahren!	DEUTSCH	18
Caractéristiques techniques, Instructions de sécurité, Utilisation conforme aux prescriptions, Déclaration CE de Conformité, Accus, Description, Entretien, Symboles	Prière de lire et de conserver!	FRANÇAIS	20
Dati tecnici, Norme di sicurezza, Utilizzo conforme, Dichiarazione di Conformità CE, Batterie, Breve Indicazione, Manutenzione, Simboli	Si prega di leggere le istruzioni e di conservarle!	ITALIANO	22
Datos técnicos, Instrucciones de seguridad, Aplicación de acuerdo a la finalidad, Declaración de Conformidad CE, Batería, Señalización, Mantenimiento, Símbolos	Lea y conserve estas instrucciones por favor!	ESPAÑOL	24
Características técnicas, Instruções de segurança, Utilização autorizada, Declaração de Conformidade CE, Acumulador, Características, Manutenção, Símbolo	Por favor leia e conserve em seu poder!	PORTUGUES	26
Technische gegevens, Veiligheidsadviezen, Voorgeschreven gebruik van het systeem, EC-Konformiteitsverklaring, Akku, Kenmerken, Onderhoud, Symbolen	Lees en let goed op deze adviezen!	NEDERLANDS	28
Tekniske data, Sikkerhedshenvisninger, Tiltænkt formål, CE-Konformitetserklæring, Batteri, Beskrivelse, Vedligeholdelse, Symboler	Vær venlig at læse og opbevare!	DANSK	30
Tekniske data, Spesielle sikkerhetshenvisninger, Formålmessig bruk, CE-Samsvarserklæring, Batterier, Kjennetegn, Vedlikehold, Symboler	Vennligst les og oppbevar!	NORSK	32
Tekniska data, Säkerhetsutrustning, Använd maskinen Enligt anvisningarna, CE-Försäkran, Batterier, Kännetecken, Skötsel, Symboler	Var god läs och tag tillvara dessa instruktioner!	SVENSKA	34
Tekniset arvot, Turvallisuusohjeet, Tarkoituksenmukainen käyttö, Todistus CE-standardinmukaisuudesta, Akku, Ominaisuudet, Huolto, Symbolit	Lue ja säilytä!	SUOMI	36
Τεχνικά στοιχεία, Ειδικές υποδείξεις ασφαλείας, Χρήση σύμφωνα με το σκοπό προορισμού, Δήλωση πιστοποίησης εκ, Μπαταρίες, Χαρακτηριστικά, Συντήρηση, Σύμβολα	Παρακαλώ διαβάστε τις και φυλάξτε τις!	ΕΛΛΗΝΙΚΑ	38
Teknik veriler, Güvenliğinizi için talimatlar, Kullanım, CE uygunluk beyanince, Akü, Özellikler, Bakım, Semboller	Lütfen okuyun ve saklayın	TÜRKÇE	40
Technická data, Speciální bezpečnostní upozornění, Oblast využití, Ce-prohlášení o shodě, Akumulátory, Upozornění, Údržba, Symboly	Po přečtení uschovejte	ČESKY	42
Technické údaje, Špeciálne bezpečnostné pokyny, Použitie podľa predpisov, CE-Vyhlasenie konformity, Akumulátory, Znamky, Údržba, Symboly	Prosím prečítať a uschovať!	SLOVENSKY	44
Dane techniczne, Specjalne zalecenia dotyczace bezpieczenstwa, Uzytkowanie zgodnie z przeznaczeniem, Swiadczenie zgodnosci ce, Baterie akumulatorowe, Wlasnosc, Gwarancja, Symboly	Prosimy o uwazne przeczytanie i przestrzeganie zaleceń zamie szczyzonych w tej instrukcji.	POLSKI	46
Műszaki adatok, Különleges biztonsági tudnivalók, Rendeltetésszerű használat, Ce-azonossági nyilatkozat, Akkuk, Jellegzetességek, Karbantartás, Szimbólumok	Olvassa el és őrizze meg	MAGYAR	48
Tehnični podatki, Specialni varnostni napotki, Uporaba v skladu z namembnostjo, Ce-izjava o konformnosti, Akumulatorji, Značilnosti, Vzdrževanje, Simboli	Prosimo preberite in shranite!	SLOVENSKO	50
Tehnički podaci, Specijalne sigurnosne upute, Propisna upotreba, Ce-Izjava konformnosti, Baterije, Obilježja, Održavanje, Simboli	Molimo pročitati i sačuvati	HRVATSKI	52
Tehniskie dati, Speciālie drošības noteikumi, Noteikumiem atbilstošs izmantojums, Atbilstība CE normām, Akumulātori, Pazīmes, Apkope, Simboli	Pielikums lietošanas pamācībai	LATVISKI	54
Techniniai duomenys, Ypatingos saugumo nuorodos, Naudojimas pagal paskirtį, CE Atitiktis pareiškimas, Akumulatoriai, Požymiai, Techninis aptarnavimas, Simboliai	Prašome perskaityti ir neišmesti!	LIETUVIŠKAI	56
Tehnilised andmed, Spetsiaalsed turvajuhised, Kasutamine vastavalt otstarbele, EU Vastavusavaldus, Akud, Tunnused, Hooldus, Sümbolid	Palun lugege läbi ja hoidke alati!	EESTI	58
Технические данные, Рекомендации по технике безопасности, Использование, Аккумулятор, Характеристики, Обслуживание, Символы	Пожалуйста, прочтите и сохраните настоящую! инструкцию	РУССКИЙ	60
Технически данни, Специални указания за безопасност, Използване по предназначение, CE-Декларация за съответствие, Акumulатори, Характеристики, Поддръжка, Символи	Моля прочетете и запазете!	БЪЛГАРСКИ	62
Date tehnice, Instrucțiuni de securitate, Condiții de utilizare specificate, Declarație de conformitate, Alimentare de la rețea, Caracteristici, Intreținere, Simboluri	Va rugăm citiți și păstrați aceste instrucțiuni	ROMÂNIA	64
Технички Податоци, Упатство За Употреба, Специфицирани Услови На Употреба, Еу-декларација За Сообразност, Батерии, Карактеристики, Одржување, Символи	Ве молиме прочитајте го и чувајте го ова упатство!	МАКЕДОНСКИ	66
技术数据, 特殊安全指示, 正确地使用机器, 欧洲安全规定说明, 蓄电池, 特点, 维修符号	请详细阅读并妥善保存!	中文	68



Remove the battery pack before starting any work on the machine.
 Vor allen Arbeiten an der Maschine den Wechselakku herausnehmen.
 Avant tous travaux sur la machine retirer l'acçu interchangeable.
 Prima di iniziare togliere la batteria dalla macchina.
 Retire la batería antes de comenzar cualquier trabajo en la máquina.
 Antes de efectuar cualquier intervención en la máquina retirar o bloco acumulador.
 Voor alle werkzaamheden aan de machine de akku verwijderen.
 Ved arbejde inden i maskinen, bør batteriet tages ud.
 Ta ut vekselbatteriet før du arbeider på maskinen.
 Drag ur batteripaket innan arbete utföres på maskinen.
 Ota akku pois ennen kaikkia koneeseen tehtäviä toimenpiteitä.
 Πριν από κάθε εργασία στη μηχανή αφαιρέστε την αναλλοίωτη μπαταρία.
 Aletin kenden bir çalışma yapmadan önce kartuş aküyü çıkarın.
 Před zahájením veškerých prací na vrtacím šroubováku vyjmout výměnný akumulátor.
 Pred každou prácou na stroji výměnný akumulátor vytiahnuť.

Przed przystąpieniem do jakichkolwiek prac na elektronicznejzdzi należy wyjąć wkładkę akumulatorową.
 Karbantartás, javítás, tisztítás, stb. előtt az akkumulátort ki kell venni a készülőkből.
 Pred deli na stroju izvedite izmenljivi akumulator.
 Prije svih radova na stroju izvaditi bateriju za zamjenu.
 Pirms mašīnai veikt jebkāda veida apkopes darbus, ir jāizņem arī akumulātors.
 Prieš atlikdami bet kokius darbus įrenginyje, išimkite keičiamąjį akumuliatorių.
 Enne kõiki töid masina kallal võtke vahetatav aku välja.
 Выньте аккумулятор из машины перед проведением с ней каких-либо манипуляций.
 Преди започване на каквито и да е работи по машината извадете акумулатора.
 İderpártaj acumulatorul înainte de începerea lucrului pe mașina.
 Отстранете я батеријата пред да започнете да ја користите машината.
 在机器上进行任何维护工作之前，先拿出蓄电池。





Remove the battery pack before starting any work on the machine.
Vor allen Arbeiten an der Maschine den Wechselakku herausnehmen
Avant tous travaux sur la machine retirer l'accu interchangeable.

Prima di iniziare togliere la batteria dalla macchina.
Retire la batería antes de comenzar cualquier trabajo en la máquina.

Antes de efectuar qualquer intervenção na máquina retirar o bloco acumulador.

Voor alle werkzaamheden aan de machine de akku verwijderen.

Ved arbejde inden i maskinen, bør batteriet tages ud.

Ta ut vekselbatteriet før du arbeider på maskinen

Drag ur batteripaket innan arbete utföres på maskinen.

Ota akku pois ennen kaikkia koneeseen tehtäviä toimenpiteitä.

Πριν από κάθε εργασία στη μηχανή αφαιρέστε την ανταλλακτική μπαταρία.

Aletin kendinde bir çalışma yapmadan önce kartuş aküyü çıkarın.

Před zahájením veškerých prací na vrtacím šroubováků vyjmout výměnný akumulátor.

Pred každou prácou na stroji výmenný akumulátor vytiahnuť.

Przed przystąpieniem do jakichkolwiek prac na elektronarzędziu należy wyjąć wkładkę akumulatorową.

Karbantartás, javítás, tisztítás, stb. előtt az akkumulátort ki kell venni a készülékből.

Pred deli na stroju izvlécite izmenljivi akumulator.

Prije svih radova na stroju izvaditi bateriju za zamjenu.

Pirms mašīnai veikt jebkāda veida apkopes darbus, ir jāizņem ārā akumulātors.

Prieš atlikdami bet kokius darbus įrenginyje, išimkite keičiamą akumuliatorių.

Enne kõiki töid masina kallal võtke vahetatava aku välja.

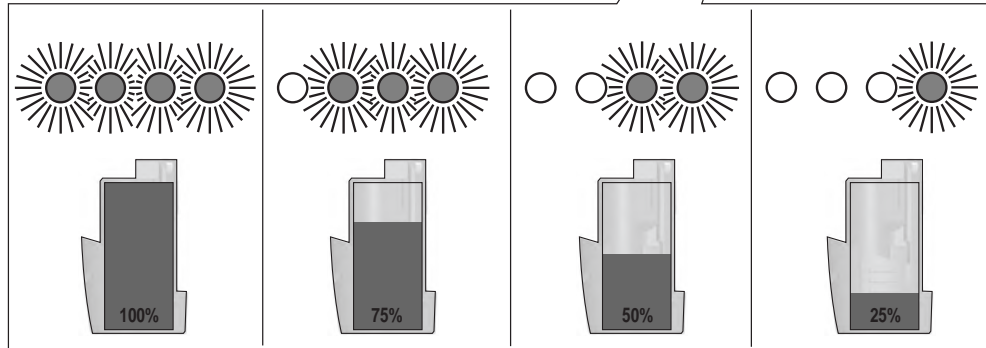
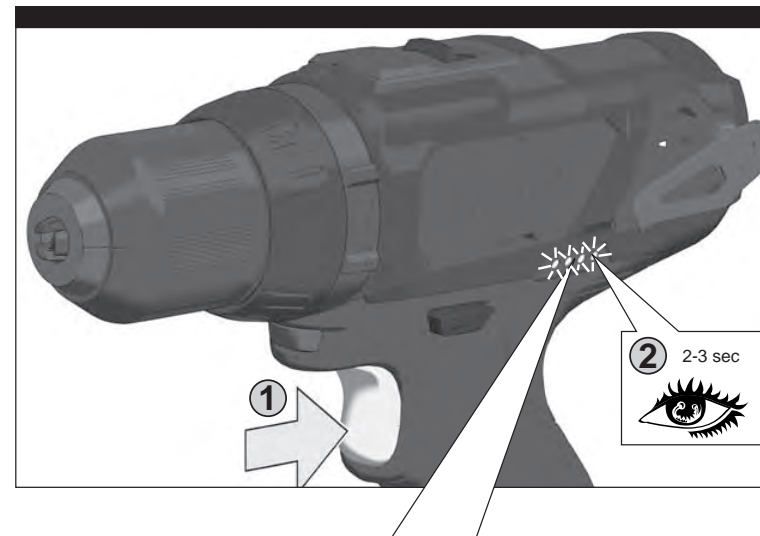
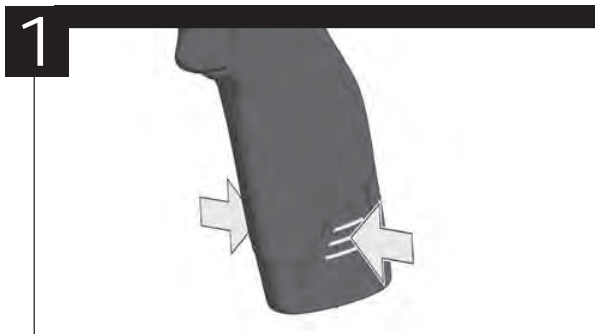
Выньте аккумулятор из машины перед проведением с ней каких-либо манипуляций.

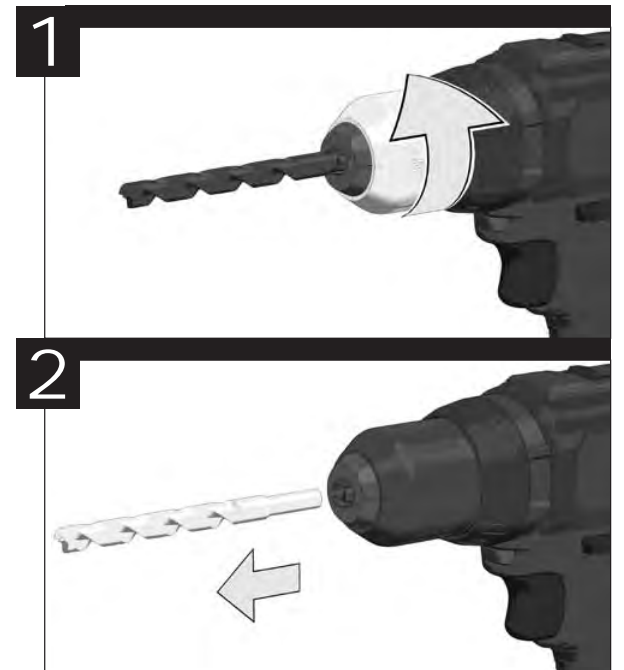
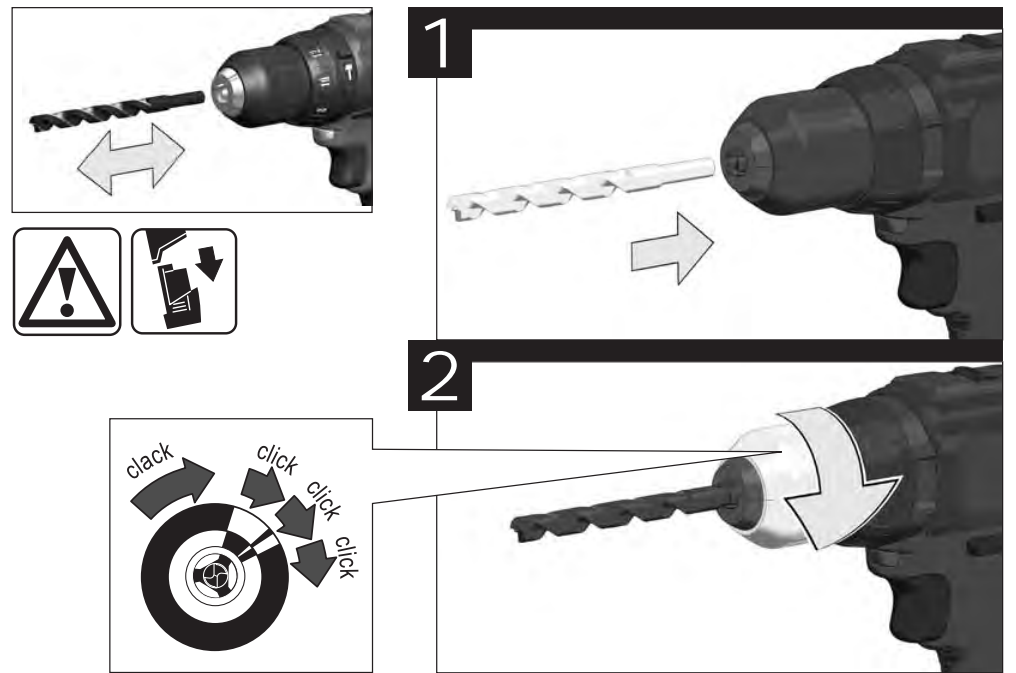
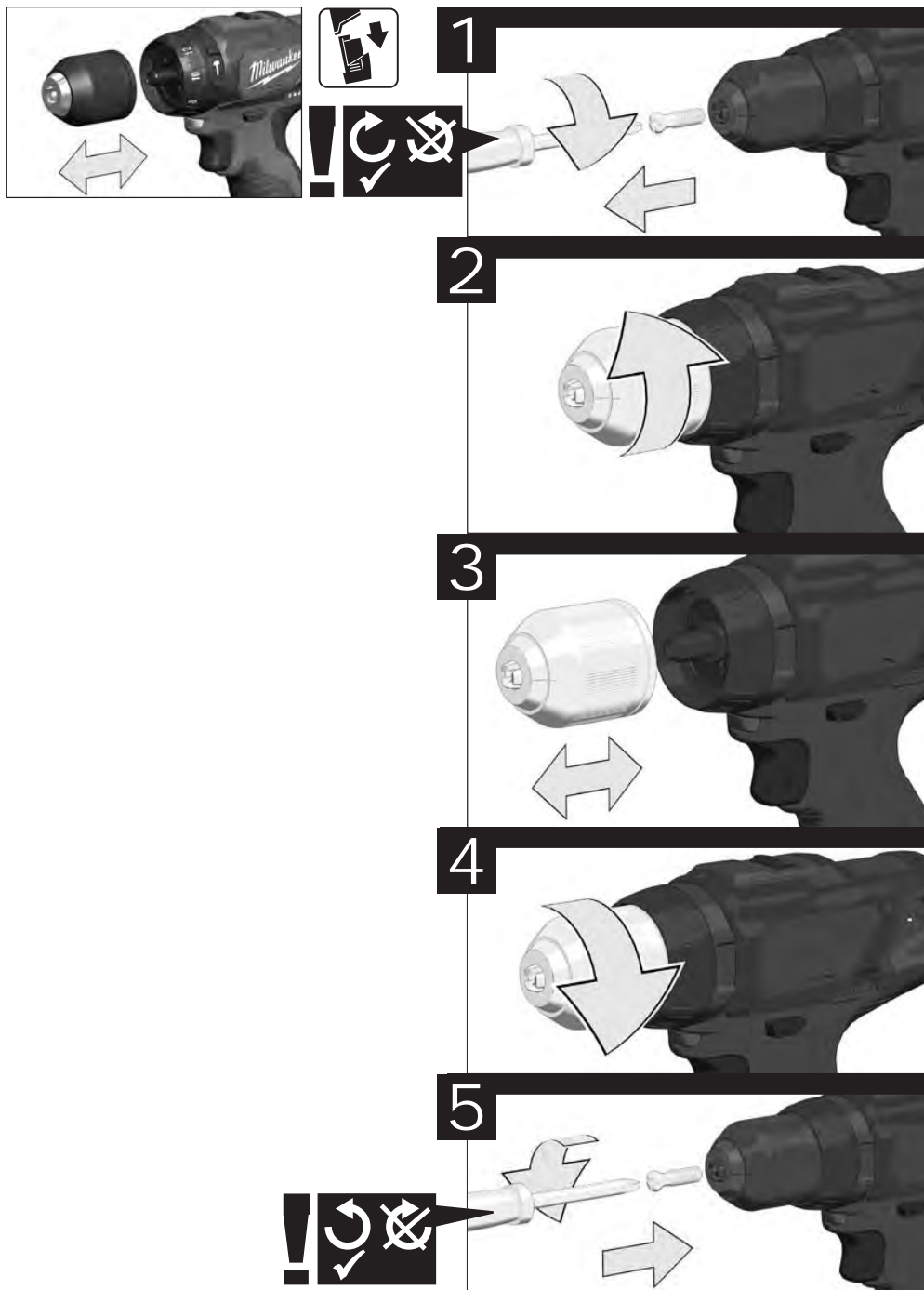
Преди започване на каквито е да е работи по машината извадете акумулатора.

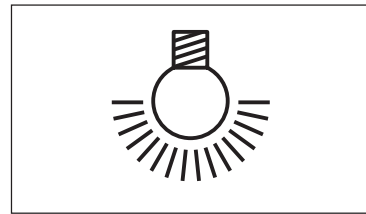
Scoateți acumulatorul înainte de a începe orice intervenție pe mașină.

Отстранете ја батеријата пред да започнете да ја користите машината.

在机器上进行任何维护工作之前，先拿出蓄电池。



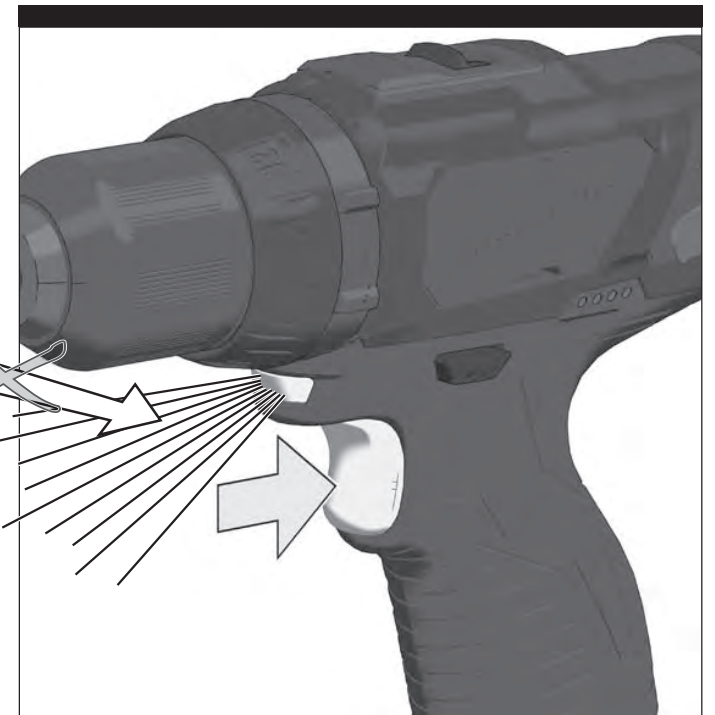


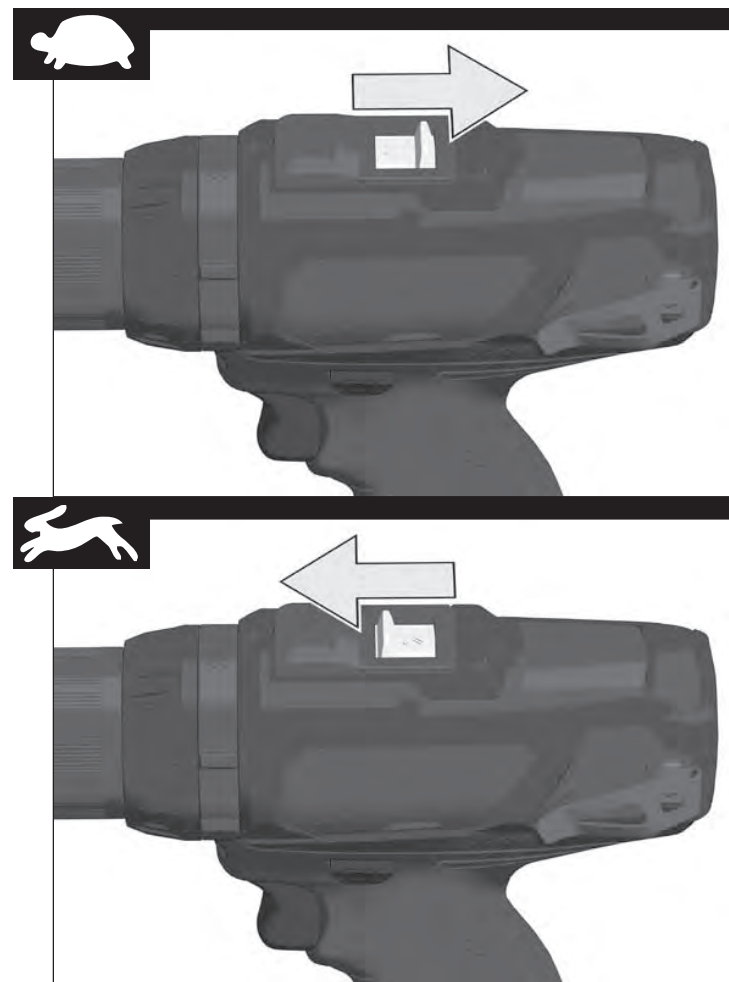
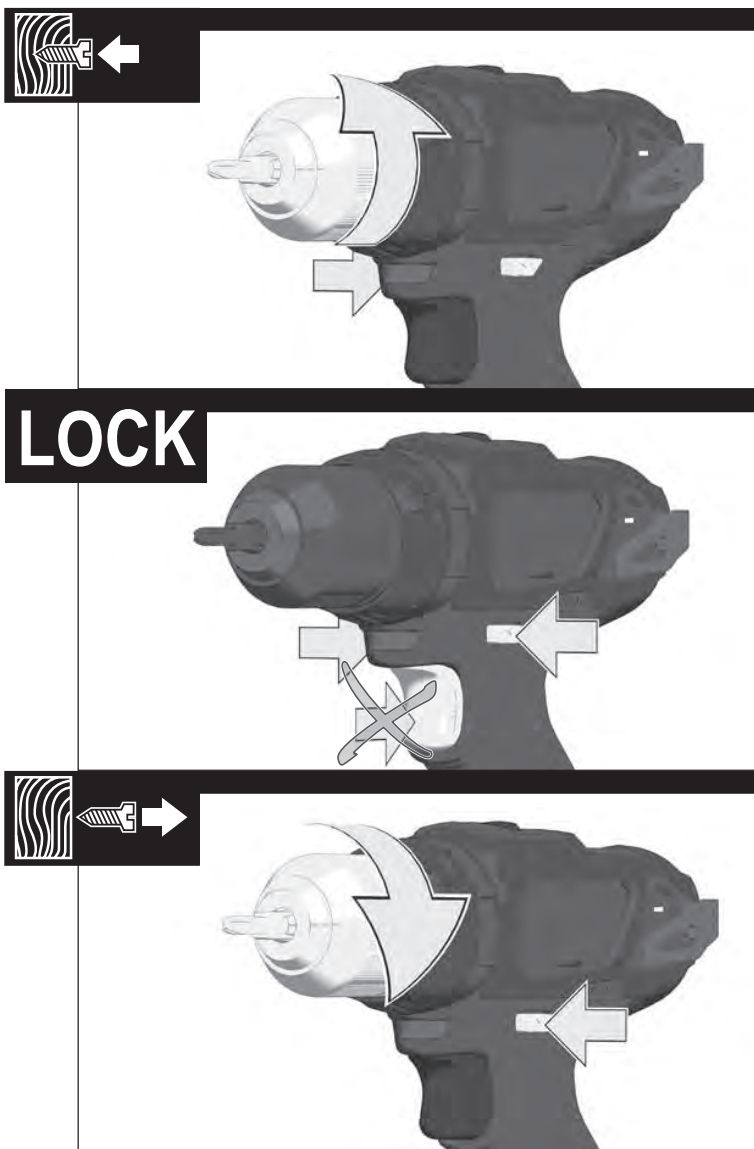


START



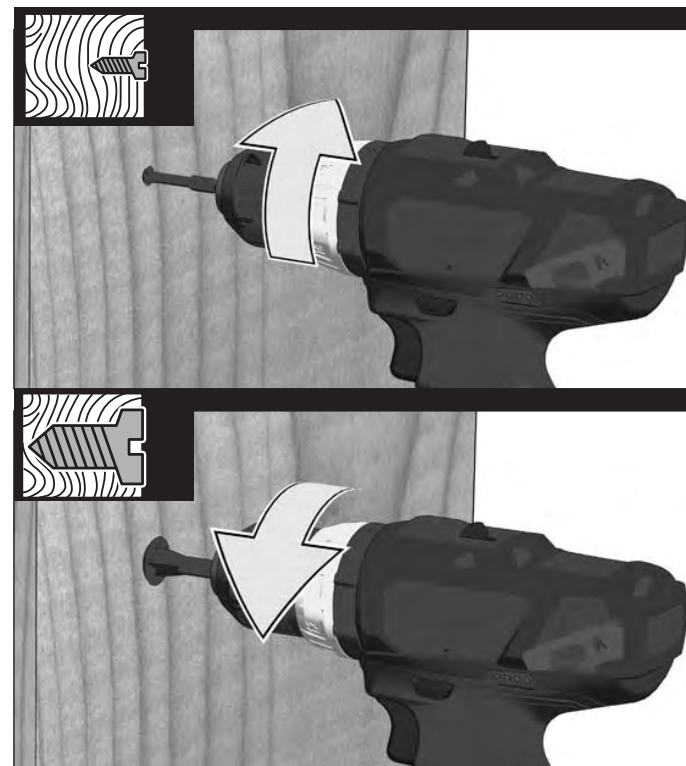
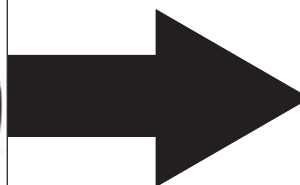
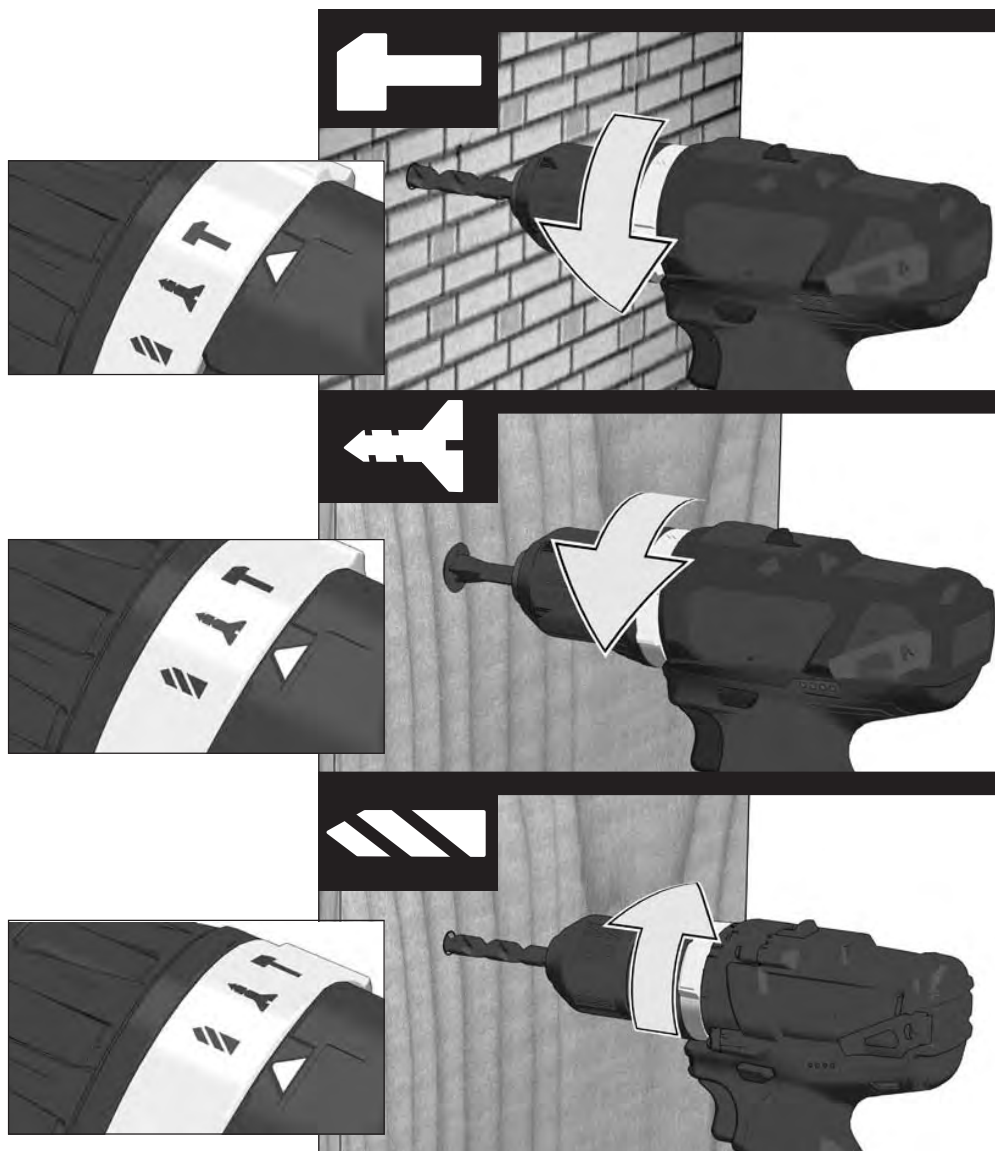
STOP







M12 BPD



Production code.....	4419 01 01.....	4419 16 01.....
	...000001-999999	...000001-999999
Drilling capacity in steel.....	10 mm	10 mm
Drilling capacity in wood.....	22 mm	22 mm
Drilling capacity in brick and tile.....	-	10 mm
Wood screws (without pre-drilling).....	6 mm	6 mm
No-load speed 1st gear.....	0-400 min ⁻¹	0-400 min ⁻¹
No-load speed 2nd gear.....	0-1500 min ⁻¹	0-1500 min ⁻¹
Percussion rate 1st gear.....	-	6000 min ⁻¹
Percussion rate 2nd gear.....	-	22500 min ⁻¹
Torque max (Li-Ion Battery 2.0 Ah) *1.....	30 Nm	30 Nm
Torque max (Li-Ion Battery 4.0 Ah) *1.....	38 Nm	38 Nm
Battery voltage.....	12 V	12 V
Drill chuck range.....	1,5-10 mm	1,5-10 mm
Weight according EPTA-Procedure 01/2003 (2.0 Ah).....	1,18 kg	1,24 kg
Weight according EPTA-Procedure 01/2003 (4.0 Ah).....	1,4 kg	1,46 kg

Noise/vibration information

Measured values determined according to EN 60 745.

Typically, the A-weighted noise levels of the tool are:

Sound pressure level (K = 3dB(A)).....	85 dB (A)	85 dB (A)
Sound power level (K = 3dB(A)).....	96 dB (A)	96 dB (A)

Wear ear protectors!

Total vibration values (vector sum in the three axes) determined according to EN 60745.

Vibration emission value a_h

Percussion drilling into concrete.....	7,9 m/s ²	7,9 m/s ²
Uncertainty K=.....	1,5 m/s ²	1,5 m/s ²
Drilling into metal.....	1,5 m/s ²	1,5 m/s ²
Uncertainty K=.....	1,5 m/s ²	1,5 m/s ²
Screwing.....	0,4 m/s ²	0,4 m/s ²
Uncertainty K=.....	1,5 m/s ²	1,5 m/s ²

*1 Measured according to Milwaukee Standard N 877318

WARNING

The vibration emission level given in this information sheet has been measured in accordance with a standardised test given in EN 60745 and may be used to compare one tool with another. It may be used for a preliminary assessment of exposure.

The declared vibration emission level represents the main applications of the tool. However if the tool is used for different applications, with different accessories or poorly maintained, the vibration emission may differ. This may significantly increase the exposure level over the total working period.

An estimation of the level of exposure to vibration should also take into account the times when the tool is switched off or when it is running but not actually doing the job. This may significantly reduce the exposure level over the total working period.

Identify additional safety measures to protect the operator from the effects of vibration such as: maintain the tool and the accessories, keep the hands warm, organisation of work patterns.

⚠ WARNING! Read all safety warnings and all instructions, including those given in the accompanying brochure. Failure to follow the warnings and instructions may result in electric shock, fire and/or serious injury. **Save all warnings and instructions for future reference.**

SAFETY INSTRUCTIONS FOR ROTARY DRILLS

Wear ear protectors. Exposure to noise can cause hearing loss.

Hold power tool by insulated gripping surfaces, when performing an operation where the cutting accessory may contact hidden wiring. Cutting accessory contacting a "live" wire may make exposed metal parts of the power tool "live" and could give the operator an electric shock.

Hold power tool by insulated gripping surfaces, when performing an operation where the fastener may contact hidden wiring. Fasteners contacting a "live" wire may make exposed metal parts of the power tool "live" and could give the operator an electric shock.

Sawdust and splinters must not be removed while the machine is running.

When working in walls ceiling, or floor, take care to avoid electric cables and gas or waterpipes.

Remove the battery pack before starting any work on the machine.

Do not dispose of used battery packs in the household refuse or by burning them. Milwaukee Distributors offer to retrieve old batteries to protect our environment.

Do not store the battery pack together with metal objects (short circuit risk).

Use only System M 12 chargers for charging System M 12 battery packs. Do not use battery packs from other systems.

Battery acid may leak from damaged batteries under extreme load or extreme temperatures. In case of contact with battery acid wash it off immediately with soap and water. In case of eye contact rinse thoroughly for at least 10 minutes and immediately seek medical attention.

SPECIFIED CONDITIONS OF USE

M12 BDD: The battery drill/screwdriver may be used for drilling and screwdriving for independent use away from mains supply.

M12 BPD: The electronic battery percussion drill/screwdriver may be used for drilling, percussion drilling, as well as screwdriving for independent use away from mains supply.

Do not use this product in any other way as stated for normal use.

We declare under our sole responsibility that the product described under "Technical Data" fulfills all the relevant regulations and the directives 2011/65/EU (RoHS), 2006/42/EC, 2004/108/EC and the following harmonized standards have been used:

EN 60745-1:2009 + A11:2010
 EN 60745-2-1:2010
 EN 60745-2-2:2010
 EN 55014-1:2006 + A1:2009 + A2:2011
 EN 55014-2:1997 + A1:2001 + A2:2008

Winnenden, 2013-03-12

Alexander Krug

Alexander Krug
 Managing Director



Authorized to compile the technical file.

Techtronic Industries GmbH

Max-Eyth-Straße 10

71364 Winnenden

Germany

BATTERIES

New battery packs reach full loading capacity after 4 - 5 chargings and dischargings. Battery packs which have not been used for some time should be recharged before use.

Temperatures in excess of 50°C (122°F) reduce the performance of the battery pack. Avoid extended exposure to heat or sunshine (risk of overheating).

The contacts of chargers and battery packs must be kept clean.

For an optimum life-time, the battery packs have to be fully charged, after used.

To obtain the longest possible battery life remove the battery pack from the charger once it is fully charged.

For battery pack storage longer than 30 days:

Store the battery pack where the temperature is below 27°C and away from moisture

Store the battery packs in a 30% - 50% charged condition

Every six months of storage, charge the pack as normal.

BATTERY PACK PROTECTION

In extremely high torque, binding, stalling and short circuit situations that cause high current draw, the tool will vibrate for about 5 seconds, the fuel gauge will flash, and then the tool will turn OFF. To reset, release the trigger.

Under extreme circumstances, the internal temperature of the battery pack could raise too much. If this happens, the fuel gauge will flash until the battery pack cooled down. After the lights go off, the work may continue.

MAINTENANCE

Use only Milwaukee accessories and spare parts. Should components need to be replaced which have not been described, please contact one of our Milwaukee service agents (see our list of guarantee/service addresses).

If needed, an exploded view of the tool can be ordered. Please state the machine type printed as well as the six-digit No. on the label and order the drawing at your local service agents or directly at: Techtronic Industries GmbH, Max-Eyth-Straße 10, 71364 Winnenden, Germany.



Please read the instructions carefully before starting the machine.



Remove the battery pack before starting any work on the machine.



Do not dispose of electric tools together with household waste material! In observance of European Directive 2002/96/EC on waste electrical and electronic equipment and its implementation in accordance with national law, electric tools that have reached the end of their life must be collected separately and returned to an environmentally compatible recycling facility.

Produktionsnummer	4419 01 01... ...000001-999999	4419 16 01... ...000001-999999
Bohr-Ø in Stahl	10 mm	10 mm
Bohr-Ø in Holz	22 mm	22 mm
Bohr-Ø in Ziegel und Kalksandstein	10 mm	10 mm
Holzschrauben	6 mm	6 mm
Leerlaufdrehzahl 1. Gang	0-400 min ⁻¹	0-400 min ⁻¹
Leerlaufdrehzahl 2. Gang	0-1500 min ⁻¹	0-1500 min ⁻¹
Schlagzahl 1. Gang	6000 min ⁻¹	6000 min ⁻¹
Schlagzahl 2. Gang	22500 min ⁻¹	22500 min ⁻¹
Drehmoment max (Li-Ion Akku 2,0 Ah) *1	30 Nm	30 Nm
Drehmoment max (Li-Ion Akku 4,0 Ah) *1	38 Nm	38 Nm
Spannung Wechselakku	12 V	12 V
Bohrfutterspannbereich	1,5-10 mm	1,5-10 mm
Gewicht nach EPTA-Prozedur 01/2003 (2,0 Ah)	1,18 kg	1,24 kg
Gewicht nach EPTA-Prozedur 01/2003 (4,0 Ah)	1,4 kg	1,46 kg

Geräusch/Vibrationsinformation

Messwerte ermittelt entsprechend EN 60 745.
Der A-bewertete Geräuschpegel des Gerätes beträgt typischerweise:

Schalldruckpegel (K=3 dB(A))	85 dB (A)	85 dB (A)
Schallleistungspegel (K=3 dB(A))	96 dB (A)	96 dB (A)

Gehörschutz tragen!

Schwingungsgesamtwerte (Vektorsumme dreier Richtungen) ermittelt entsprechend EN 60745.

Schwingungsemissionswert a _h		
Schlagbohren in Beton	7,9 m/s ²	
Unsicherheit K =	1,5 m/s ²	1,5 m/s ²
Bohren in Metall	1,5 m/s ²	1,5 m/s ²
Unsicherheit K =	1,5 m/s ²	1,5 m/s ²
Schrauben	0,4 m/s ²	0,4 m/s ²
Unsicherheit K =	1,5 m/s ²	1,5 m/s ²

*1 Gemessen nach Milwaukee Standard N 877318

WARNUNG

Der in diesen Anweisungen angegebene Schwingungspegel ist entsprechend einem in EN 60745 genormten Messverfahren gemessen worden und kann für den Vergleich von Elektrowerkzeugen miteinander verwendet werden. Er eignet sich auch für eine vorläufige Einschätzung der Schwingungsbelastung.

Der angegebene Schwingungspegel repräsentiert die hauptsächlichsten Anwendungen des Elektrowerkzeugs. Wenn allerdings das Elektrowerkzeug für andere Anwendungen, mit abweichenden Einsatzwerkzeugen oder ungenügender Wartung eingesetzt wird, kann der Schwingungspegel abweichen. Dies kann die Schwingungsbelastung über den gesamten Arbeitszeitraum deutlich erhöhen.

Für eine genaue Abschätzung der Schwingungsbelastung sollten auch die Zeiten berücksichtigt werden, in denen das Gerät abgeschaltet ist oder zwar läuft, aber nicht tatsächlich im Einsatz ist. Dies kann die Schwingungsbelastung über den gesamten Arbeitszeitraum deutlich reduzieren.

Legen Sie zusätzliche Sicherheitsmaßnahmen zum Schutz des Bedieners vor der Wirkung von Schwingungen fest wie zum Beispiel: Wartung von Elektrowerkzeug und Einsatzwerkzeugen, Warmhalten der Hände, Organisation der Arbeitsabläufe.

⚠️ WARNUNG! Lesen Sie alle Sicherheitshinweise und Anweisungen, auch die in der beiliegenden Broschüre. Versäumnisse bei der Einhaltung der Sicherheitshinweise und Anweisungen können elektrischen Schlag, Brand und/oder schwere Verletzungen verursachen. **Bewahren Sie alle Sicherheitshinweise und Anweisungen für die Zukunft auf.**

SICHERHEITSHINWEISE FÜR BOHRMASCHINEN

Tragen Sie Gehörschutz. Die Einwirkung von Lärm kann Gehörverlust bewirken.

Halten Sie das Gerät an den isolierten Griffflächen, wenn Sie Arbeiten ausführen, bei denen das Einsatzwerkzeug verborgene Stromleitungen treffen kann. Der Kontakt des Schneidwerkzeugs mit einer spannungsführenden Leitung kann metallene Geräteteile unter Spannung setzen und zu einem elektrischen Schlag führen.

Halten Sie das Gerät an den isolierten Griffflächen, wenn Sie Arbeiten ausführen, bei denen die Schraube verborgene Stromleitungen treffen kann. Der Kontakt der

Schraube mit einer spannungsführenden Leitung kann metallene Geräteteile unter Spannung setzen und zu einem elektrischen Schlag führen.

Späne oder Splitter dürfen bei laufender Maschine nicht entfernt werden.

Beim Arbeiten in Wand, Decke oder Fußboden auf elektrische Kabel, Gas- und Wasserleitungen achten.

Vor allen Arbeiten an der Maschine den Wechselakku herausnehmen

Verbrauchte Wechselakkus nicht ins Feuer oder in den Hausmüll werfen. Milwaukee bietet eine umweltgerechte Alt-Wechselakku-Entsorgung an; bitte fragen Sie Ihren Fachhändler.

Wechselakkus nicht zusammen mit Metallgegenständen aufbewahren (Kurzschlussgefahr).

Wechselakkus des Systems M 12 nur mit Ladegeräten des Systems M 12 laden. Keine Akkus aus anderen Systemen laden.

Unter extremer Belastung oder extremer Temperatur kann aus beschädigten Wechselakkus Batterieflüssigkeit

auslaufen. Bei Berührung mit Batterieflüssigkeit sofort mit Wasser und Seife abwaschen. Bei Augenkontakt sofort mindestens 10 Minuten gründlich spülen und unverzüglich einen Arzt aufsuchen.

BESTIMMUNGSGEMÄÙE VERWENDUNG

M12 BDD: Der Akku-Bohrschrauber ist universell einsetzbar zum Bohren und Schrauben unabhängig von einem Netzanschluss.

M12 BPD: Der Akku-Elektronik-Schlagbohrschrauber ist universell einsetzbar zum Bohren, Schlagbohren und Schrauben unabhängig von einem Netzanschluss.

Dieses Gerät darf nur wie angegeben bestimmungsgemäß verwendet werden.

CE-KONFORMITÄTSERLÄRUNG

Wir erklären in alleiniger Verantwortung, dass das unter „Technische Daten“ beschriebene Produkt mit allen relevanten Vorschriften der Richtlinie 2011/65/EU (RoHS), 2006/42/EG, 2004/108/EG und den folgenden harmonisierten normativen Dokumenten übereinstimmt:

- EN 60745-1:2009 + A11:2010
- EN 60745-2-1:2010
- EN 60745-2-2:2010
- EN 55014-1:2006 + A1:2009 + A2:2011
- EN 55014-2:1997 + A1:2001 + A2:2008

Winnenden, 2013-03-12

Alexander Krug

Alexander Krug
Managing Director



Bevollmächtigt die technischen Unterlagen zusammenzustellen

Techtronic Industries GmbH
Max-Eyth-StraÙe 10
71364 Winnenden
Germany

AKKUS

Neue Wechselakkus erreichen ihre volle Kapazität nach 4-5 Lade- und Entladezyklen. Längere Zeit nicht benutzte Wechselakkus vor Gebrauch nachladen.

Eine Temperatur über 50°C vermindert die Leistung des Wechselakkus. Längere Erwärmung durch Sonne oder Heizung vermeiden.

Die Anschlusskontakte an Ladegerät und Wechselakku sauber halten.

Für eine optimale Lebensdauer müssen nach dem Gebrauch die Akkus voll geladen werden.

Für eine möglichst lange Lebensdauer sollten die Akkus nach dem Aufladen aus dem Ladegerät entfernt werden.

Bei Lagerung des Akkus länger als 30 Tage:

- Akku bei ca. 27°C und trocken lagern.
- Akku bei ca. 30%-50% des Ladezustandes lagern.
- Akku alle 6 Monate erneut aufladen.

AKKUÜBERLASTSCHUTZ

Bei Überlastung des Akkus durch sehr hohen Stromverbrauch, z.B. extrem hohe Drehmomente, plötzlichem Stopp oder Kurzschluss, vibriert das Elektrowerkzeug 5 Sekunden lang, die Ladeanzeige blinkt und das Elektrowerkzeug schaltet sich selbsttätig ab. Zum Wiedereinschalten, den Schalterdrücker loslassen und dann wieder einschalten.

Unter extremen Belastungen erhitzt sich der Akku zu stark. In diesem Fall blinken alle Lampen der Ladeanzeige bis der Akku abgekühlt ist. Nach Erlöschen der Ladeanzeige kann weitergearbeitet werden.

WARTUNG

Nur Milwaukee Zubehör und Ersatzteile verwenden. Bauteile, deren Austausch nicht beschrieben wurde, bei einer Milwaukee Kundendienststelle auswechseln lassen (Broschüre Garantie/Kundendienstadressen beachten).

Bei Bedarf kann eine Explosionszeichnung des Gerätes unter Angabe der Maschinen Type und der sechsstelligen Nummer auf dem Leistungsschild bei Ihrer Kundendienststelle oder direkt bei Techtronic Industries GmbH, Max-Eyth-StraÙe 10, 71364 Winnenden, Germany angefordert werden.

SYMBOLE



Bitte lesen Sie die Gebrauchsanweisung vor Inbetriebnahme sorgfältig durch.



Vor allen Arbeiten an der Maschine den Wechselakku herausnehmen



Werfen Sie Elektrowerkzeuge nicht in den Hausmüll! Gemäss Europäischer Richtlinie 2002/96/EG über Elektro- und Elektronik-Altgeräte und Umsetzung in nationales Recht müssen verbrauchte Elektrowerkzeuge getrennt gesammelt und einer umweltgerechten Wiederverwertung zugeführt werden.

Numéro de série.....	4419 01 01.....	4419 16 01.....
	...000001-999999	...000001-999999
Ø de perçage dans acier.....	10 mm	10 mm
Ø de perçage dans bois.....	22 mm	22 mm
Ø de perçage dans brique et grès argilo-calcaire.....	10 mm	10 mm
Vis à bois (sans avant trou).....	6 mm	6 mm
Vitesse de rotation 1ère vitesse.....	0-400 min ⁻¹	0-400 min ⁻¹
Vitesse de rotation 2ème vitesse.....	0-1500 min ⁻¹	0-1500 min ⁻¹
Cadence de percussion 1ère vitesse.....	6000 min ⁻¹	6000 min ⁻¹
Cadence de percussion 2ème vitesse.....	22500 min ⁻¹	22500 min ⁻¹
Couple max (Li-Ion Batterie 2,0 Ah)*1.....	30 Nm	30 Nm
Couple max (Li-Ion Batterie 4,0 Ah)*1.....	38 Nm	38 Nm
Tension accu interchangeable.....	12 V	12 V
Plage de serrage du mandrin.....	1,5-10 mm	1,5-10 mm
Poids suivant EPTA-Procédure 01/2003 (2,0 Ah).....	1,18 kg	1,24 kg
Poids suivant EPTA-Procédure 01/2003 (4,0 Ah).....	1,4 kg	1,46 kg

Informations sur le bruit et les vibrations

Valeurs de mesure obtenues conformément à la EN 60 745.

La mesure réelle (A) du niveau de bruit de l'outil est

Niveau de pression acoustique (K = 3dB(A))..... 85 dB (A) 85 dB (A)

Niveau d'intensité acoustique (K = 3dB(A))..... 96 dB (A) 96 dB (A)

Toujours porter une protection acoustique!

Valeurs totales des vibrations (somme vectorielle de trois sens) établies conformément à EN 60745.

Valeur d'émission vibratoire a

Perçage à percussion dans le béton..... 7,9 m/s²

Incertitude K=..... 1,5 m/s²

Perçage dans le métal..... 1,5 m/s²

Incertitude K=..... 1,5 m/s²

Vissage..... 0,4 m/s²

Incertitude K=..... 1,5 m/s²

*1 Mesuré selon la norme Milwaukee N 877318

AVERTISSEMENT

Le niveau vibratoire indiqué dans ces instructions a été mesuré selon un procédé de mesure normalisé dans la norme EN 60745 et peut être utilisé pour comparer des outils électriques entre eux. Il convient aussi à une estimation provisoire de la sollicitation par les vibrations.

Le niveau vibratoire indiqué représente les applications principales de l'outil électrique. Toutefois, si l'outil électrique est utilisé pour d'autres applications, avec des outils rapportés qui diffèrent ou une maintenance insuffisante, il se peut que le niveau vibratoire diverge. Cela peut augmenter nettement la sollicitation par les vibrations sur tout l'intervalle de temps du travail.

Pour une estimation précise de la sollicitation par les vibrations, on devrait également tenir compte des temps pendant lesquels l'appareil n'est pas en marche ou tourne sans être réellement en service. Cela peut réduire nettement la sollicitation par les vibrations sur tout l'intervalle de temps du travail.

Définissez des mesures de sécurité supplémentaires pour protéger l'utilisateur contre l'influence des vibrations, comme par exemple : la maintenance de l'outil électrique et des outils rapportés, le maintien au chaud des mains, l'organisation des déroulements de travail.

⚠ AVERTISSEMENT! Lisez toutes les consignes de sécurité et les instructions, même celles qui se trouvent dans la brochure ci-jointe. Le non-respect des avertissements et instructions indiqués ci après peut entraîner un choc électrique, un incendie et/ou de graves blessures sur les personnes.

Bien garder tous les avertissements et instructions.

INSTRUCTIONS DE SÉCURITÉ PARTICULIÈRES PERCEUSE

Portez une protection acoustique. L'influence du bruit peut provoquer la surdité.

Maintenez l'appareil par les surfaces de poignée isolées lorsque vous exécutez des travaux pendant lesquels l'outil de coupe peut toucher des lignes électriques dissimulées. Le contact de l'outil de coupe avec un câble qui conduit la tension peut mettre les pièces métalliques de l'appareil sous tension et mener à une décharge électrique.

Tenir l'appareil aux surfaces isolées faisant office de poignée pendant les travaux au cours desquels la vis peut toucher des lignes électriques dissimulées. Le contact de la vis avec un câble qui conduit la tension peut mettre des parties d'appareil en métal sous tension et mener à une décharge électrique.

Ne jamais enlever les copeaux ni les éclats lorsque la machine est en marche.

Lors du perçage dans les murs, les plafonds ou les planchers, toujours faire attention aux câbles électriques et aux conduites de gaz et d'eau.

Avant tous travaux sur la machine retirer l'accu interchangeable.

Ne pas jeter les accus interchangeables usés au feu ou avec les déchets ménagers. Milwaukee offre un système d'évacuation écologique des accus usés.

Ne pas conserver les accus interchangeables avec des objets métalliques (risque de court-circuit)

Ne charger les accus interchangeables du système M 12 qu'avec le chargeur d'accus du système M 12. Ne pas charger des accus d'autres systèmes.

En cas de conditions ou températures extrêmes, du liquide caustique peut s'échapper d'un accu interchangeable endommagé. En cas de contact avec le liquide caustique de la batterie, laver immédiatement avec de l'eau et du savon.

En cas de contact avec les yeux, rincer soigneusement avec de l'eau et consulter immédiatement un médecin.

M12 BDD: La perceuse-visseuse à accu est conçue pour un travail universel de perçage et de vissage sans être branchée sur le secteur.

M12 BPD: La perceuse-visseuse à percussion électronique à accu est conçue pour un travail universel de perçage à percussion, de perçage et de vissage sans être branchée sur le secteur.

Comme déjà indiqué, cette machine n'est conçue que pour être utilisée conformément aux prescriptions.

DECLARATION CE DE CONFORMITÉ

Nous déclarons sous notre seule responsabilité que le produit décrit sous « Caractéristiques techniques » concorde avec toutes les consignes pertinentes de la directive 2011/65 EU (RoHS), 2006/42/CE, 2004/108/CE et les documents normatifs harmonisés suivants :

- EN 60745-1:2009 + A11:2010
- EN 60745-2-1:2010
- EN 60745-2-2:2010
- EN 55014-1:2006 + A1:2009 + A2:2011
- EN 55014-2:1997 + A1:2001 + A2:2008

Winnenden, 2013-03-12

Alexander Krug



Alexander Krug
Managing Director

Autorisé à compiler la documentation technique.

Techtronic Industries GmbH
Max-Eyth-Straße 10
71364 Winnenden
Germany

Utiliser uniquement les accessoires Milwaukee et les pièces détachées Milwaukee. Faire remplacer les composants dont le remplacement n'a pas été décrit, par un des centres de service après-vente Milwaukee (observer la brochure avec les adresses de garantie et de service après-vente).

En cas de besoin il est possible de demander un dessin éclaté du dispositif en indiquant le modèle de la machine et le numéro de six chiffres imprimé sur la plaquette de puissance et en s'adressant au centre d'assistance technique ou directement à Techtronic Industries GmbH, Max-Eyth-Straße 10, 71364 Winnenden, Germany.

SYMBOLES



Veillez lire avec soin le mode d'emploi avant la mise en service



Avant tous travaux sur la machine retirer l'accu interchangeable.



Ne pas jeter les appareils électriques dans les ordures ménagères ! Conformément à la directive européenne 2002/96/EG relative aux déchets d'équipements électriques ou électroniques (DEEE), et à sa transposition dans la législation nationale, les appareils électriques doivent être collectés à part et être soumis à un recyclage respectueux de l'environnement.

ACCUS

Les nouveaux accus interchangeables atteignent leur pleine capacité après 4-5 cycles de chargement et déchargement. Recharger les accus avant utilisation après une longue période de non utilisation.

Une température supérieure à 50°C amoindrit la capacité des accus. Éviter les expositions prolongées au soleil ou au chauffage.

Tenir propres les contacts des accus et des chargeurs.

Après l'usage, les accus doivent être chargés entièrement pour une durée de vie optimale.

Pour une plus longue durée de vie, enlever les batteries du chargeur de batterie quand celles-ci seront chargées.

En cas d'entreposage de la batterie pour plus de 30 jours: Entreposer la batterie à 27°C environ dans un endroit sec. Entreposer la batterie avec une charge d'environ 30% - 50%. Recharger la batterie tous les 6 mois.

PROTECTION DE L'ACCU CONTRE LES SURCHARGES

En cas d'une surcharge de l'accu à cause d'une très haute consommation de courant, par exemple suite à des couples extrêmement élevés, un arrêt soudain ou un court-circuit, l'outil électrique vibre pendant 5 secondes, l'indicateur de charge clignote et l'outil électrique se déconnecte automatiquement.

Pour le ré-enclencher, relâcher le poussoir de l'interrupteur, puis enclencher à nouveau l'appareil.

Sous des sollicitations extrêmes, l'accu s'échauffe trop fortement. Dans ce cas, tous les témoins de l'indicateur de charge clignotent jusqu'à ce que l'accu se soit refroidi. Il est possible de continuer à travailler dès que l'indicateur de charge s'est éteint.

Numero di serie	4419 01 01.....	4419 16 01.....
	...000001-999999	...000001-999999
Ø Foratura in acciaio.....	10 mm	10 mm
Ø Foratura in legno.....	22 mm	22 mm
Ø Foratura in mattone e in arenaria calcarea	10 mm	10 mm
Avvitatore nel legno (senza preforatura)	6 mm	6 mm
Numero di giri a vuoto in 1. velocità	0-400 min ⁻¹	0-400 min ⁻¹
Numero di giri a vuoto in 2. Velocità	0-1500 min ⁻¹	0-1500 min ⁻¹
Frequenza di percussione in 1. velocità	6000 min ⁻¹
Frequenza di percussione in 2. velocità	22500 min ⁻¹
Momento torcente max (Li-Ion Batteria 2,0 Ah) *1	30 Nm	30 Nm
Momento torcente max (Li-Ion Batteria 4,0 Ah) *1	38 Nm	38 Nm
Tensione batteria	12 V	12 V
Capacità mandrino	1,5-10 mm	1,5-10 mm
Peso secondo la procedura EPTA 01/2003. (2,0 Ah)	1,18 kg	1,24 kg
Peso secondo la procedura EPTA 01/2003. (4,0 Ah)	1,4 kg	1,46 kg

Informazioni sulla rumorosità/sulle vibrazioni

Valori misurati conformemente alla norma EN 60 745.

La misurazione A della pressione del livello sonoro di un utensile di solito deve essere

Livello di rumorosità (K=3 dB(A)).....	85 dB (A)	85 dB (A)
Potenza della rumorosità (K=3 dB(A))	96 dB (A)	96 dB (A)

Utilizzare le protezioni per l'udito!

Valori totali delle oscillazioni (somma di vettori in tre direzioni)

misurati conformemente alla norma EN 60745

Valore di emissione dell'oscillazione a _h		
Perforazione a percussione.....	7,9 m/s ²	7,9 m/s ²
Incertezza della misura K=.....	1,5 m/s ²	1,5 m/s ²
Perforazione in metallo.....	1,5 m/s ²	1,5 m/s ²
Incertezza della misura K=.....	1,5 m/s ²	1,5 m/s ²
Avvitatura.....	0,4 m/s ²	0,4 m/s ²
Incertezza della misura K=.....	1,5 m/s ²	1,5 m/s ²

*1 Misurato conf. norma N 877318 Milwaukee

AVVERTENZA

Il livello di vibrazioni indicato nelle presenti istruzioni è stato misurato in conformità con un procedimento di misurazione codificato nella EN 60745 e può essere utilizzato per un confronto tra attrezzi elettrici. Inoltre si può anche utilizzare per una valutazione preliminare della sollecitazione da vibrazioni.

Il livello di vibrazioni indicato rappresenta le applicazioni principali dell'attrezzo elettrico. Se viceversa si utilizza l'attrezzo elettrico per altri scopi, con accessori differenti o con una manutenzione insufficiente, il livello di vibrazioni può risultare diverso. E questo può aumentare decisamente la sollecitazione da vibrazioni lungo l'intero periodo di lavorazione.

Ai fini di una valutazione precisa della sollecitazione da vibrazioni si dovrebbero tenere presente anche i periodi in cui l'apparecchio rimane spento oppure, anche se acceso, non viene effettivamente utilizzato. Ciò può ridurre notevolmente la sollecitazione da vibrazioni lungo l'intero periodo di lavorazione.

Stabilite misure di sicurezza supplementari per la tutela dell'operatore dall'effetto delle vibrazioni, come ad esempio: manutenzione dell'attrezzo elettrico e degli accessori, riscaldamento delle mani, organizzazione dei processi di lavoro.

⚠ AVVERTENZA! E' necessario leggere tutte le indicazioni di sicurezza e le istruzioni, anche quelle contenute nella brochure allegata. In caso di mancato rispetto delle avvertenze di pericolo e delle istruzioni operative si potrà creare il pericolo di scosse elettriche, incendi e/o incidenti gravi.
Conservare tutte le avvertenze di pericolo e le istruzioni operative per ogni esigenza futura.

NORME DI SICUREZZA TRAPANI ROTATIVI

Indossare protezioni acustiche adeguate. L'esposizione prolungata al rumore senza protezione può causare danni all'udito.

Impugnare l'apparecchio sulle superfici di tenuta isolate mentre si eseguono lavori durante i quali l'utensile da taglio potrebbe entrare in contatto con cavi di corrente. L'eventuale contatto dell'utensile da taglio con un cavo sotto tensione potrebbe mettere sotto tensione le parti metalliche dell'apparecchio e provocare una folgorazione.

Quando si svolge un'operazione in cui la vite potrebbe entrare in contatto con conduttori elettrici nascoste impugnare l'apparecchio afferrandolo per le superfici isolate. La vite che entra in contatto con una conduttura in

tensione può mettere sotto tensione le parti metalliche dell'apparecchio e causare scosse elettriche.

Non rimuovere trucioli o schegge mentre l'utensile è in funzione.

Forando pareti, soffitti o pavimenti, si faccia attenzione ai cavi elettrici e alle condutture dell'acqua e del gas.

Prima di iniziare togliere la batteria dalla macchina.

Non gettare le batterie esaurite sul fuoco o nella spazzatura di casa. La Milwaukee offre infatti un servizio di recupero batterie usate.

Nel vano d'innesto per la batteria del caricatore non devono entrare parti metalliche.(pericolo di cortocircuito).

Le batterie del System M 12 sono ricaricabili esclusivamente con i caricatori del System M 12. Le batterie di altri sistemi non possono essere ricaricate.

Nel caso di batterie danneggiate da un carico eccessivo o da temperature alte, l'acido di queste potrebbe fuoriuscire. In caso di contatto con l'acido delle batterie lavarsi immediatamente con acqua e sapone. In caso di contatto con gli occhi risciacquare immediatamente con acqua per almeno 10 minuti e contattare subito un medico.

M12 BDD: Il trapano-avvitatore Accu è utilizzabile universalmente per forare e avvitare indipendentemente dal collegamento elettrico.

M12 BPD: Il trapano a percussione- avvitatore Accu è indicato per forare a rotazione, a percussione, per avvitare, indipendentemente dal collegamento elettrico.

Utilizzare il prodotto solo per l'uso per cui è previsto.

DICHIARAZIONE DI CONFORMITÀ CE

Dichiariamo sotto la nostra esclusiva responsabilità che il prodotto descritto ai "Dati tecnici" corrisponde a tutte le disposizioni delle direttive 2011/65/EU (RoHS), 2006/42/CE, 2004/108/CE e successivi documenti normativi armonizzati:

- EN 60745-1:2009 + A11:2010
- EN 60745-2-1:2010
- EN 60745-2-2:2010
- EN 55014-1:2006 + A1:2009 + A2:2011
- EN 55014-2:1997 + A1:2001 + A2:2008

Winnenden, 2013-03-12

Alexander Krug

Alexander Krug
Managing Director



Autorizzato alla preparazione della documentazione tecnica

Techtronic Industries GmbH

Max-Eyth-Straße 10

71364 Winnenden

Germany

BATTERIE

Le batterie nuove raggiungono la loro piena capacità dopo 4-5 cicli di carica e scarica. Batterie non utilizzate per molto tempo devono essere ricaricate prima dell'uso.

A temperature superiori ai 50°C , la potenza della batteria si riduce.

Evitare di esporre l'accumulatore a surriscaldamento prolungato, dovuto ad esempio ai raggi del sole o ad un impianto di riscaldamento.

Per una durata di vita ottimale, dopo l'uso le batterie devono essere completamente ricaricate.

Per una più lunga durata, rimuovere le batterie dal caricabatterie quando saranno cariche.

In caso di immagazzinaggio della batteria per più di 30 giorni:

Immagazzinare la batteria a circa 27°C in ambiente asciutto.

Immagazzinare la batteria con carica di circa il 30% - 50%.

Ricaricare la batteria ogni 6 mesi.

DISPOSITIVO ANTISOVRACCARICO ACCUMULATORE

In caso di sovraccarico dell'accumulatore dovuto ad un consumo molto elevato di corrente, ad es. momenti di coppia estremamente elevati, arresto improvviso o corto circuito, l'utensile elettrico vibra per 5 secondi, il display di carica lampeggia e l'elettrotensile si spegne automaticamente.

Per riaccenderlo rilasciare l'interruttore e poi riaccenderlo. Se sottoposto a sollecitazioni estreme l'accumulatore si riscalda eccessivamente. In questo caso lampeggiano tutte le spie del display di carica finché l'accumulatore non è raffreddato. Quando il display di carica si spegne si può continuare a lavorare.



Leggere attentamente le istruzioni per l'uso prima di mettere in funzione l'elettrotensile.



Prima di iniziare togliere la batteria dalla macchina.



Non gettare le apparecchiature elettriche tra i rifiuti domestici. Secondo la Direttiva Europea 2002/96/CE sui rifiuti di apparecchiature elettriche ed elettroniche e la sua attuazione in conformità alle norme nazionali, le apparecchiature elettriche esauste devono essere accolte separatamente, al fine di essere reimpiagate in modo eco-compatibile.

	M12 BDD	M12 BPD
Número de producción	4419 01 01... ..000001-999999	4419 16 01... ..000001-999999
Diámetro de taladrado en acero	10 mm	10 mm
Diámetro de taladrado en madera	22 mm	22 mm
Diámetro de taladrado ladrillo y losetas	10 mm	10 mm
Tornillos para madera (sin pretaladrar)	6 mm	6 mm
Velocidad en vacío en primera marcha	0-400 min ⁻¹	0-400 min ⁻¹
Velocidad en vacío 2ª velocidad	0-1500 min ⁻¹	0-1500 min ⁻¹
Número de percusiones en primera marcha	-	6000 min ⁻¹
Número de percusiones 2ª velocidad	-	22500 min ⁻¹
Par max (Li-Ion Batería 2,0 Ah) *1	30 Nm	30 Nm
Par max (Li-Ion Batería 4,0 Ah) *1	38 Nm	38 Nm
Voltaje de batería	12 V	12 V
Gama de apertura del portabrocas	1,5-10 mm	1,5-10 mm
Peso de acuerdo con el procedimiento EPTA 01/2003 (2,0 Ah)	1,18 kg	1,24 kg
Peso de acuerdo con el procedimiento EPTA 01/2003 (4,0 Ah)	1,4 kg	1,46 kg

Información sobre ruidos / vibraciones

Determinación de los valores de medición según norma EN 60 745.

La presión acústica se eleva normalmente

Presión acústica (K=3 dB(A))	85 dB (A)	85 dB (A)
Resonancia acústica (K=3 dB(A))	96 dB (A)	96 dB (A)

Usar protectores auditivos!

Nivel total de vibraciones (suma vectorial de tres direcciones) determinado según EN 60745.

Valor de vibraciones generadas a _n		
Taladrado de percusión	7,9 m/s ²	
Tolerancia K =	1,5 m/s ²	
taladrado en metal	1,5 m/s ²	1,5 m/s ²
Tolerancia K =	1,5 m/s ²	1,5 m/s ²
tornillos	0,4 m/s ²	0,4 m/s ²
Tolerancia K =	1,5 m/s ²	1,5 m/s ²

*1 Medido según norma Milwaukee N 877318

ADVERTENCIA

El nivel vibratorio indicado en estas instrucciones ha sido medido conforme a un método de medición estandarizado en la norma EN 60745, y puede utilizarse para la comparación entre herramientas eléctricas. También es apropiado para una estimación provisional de la carga de vibración.

El nivel vibratorio indicado representa las aplicaciones principales de la herramienta eléctrica. Si, pese a ello, se utiliza la herramienta eléctrica para otras aplicaciones, con útiles adaptables diferentes o con un mantenimiento insuficiente, el nivel vibratorio puede diferir. Esto puede incrementar sensiblemente la carga de vibración durante todo el periodo de trabajo.

Para una estimación exacta de la carga de vibración deberían tenerse en cuenta también los tiempos durante los que el aparato está apagado o, pese a estar en funcionamiento, no está siendo realmente utilizado. Esto puede reducir sustancialmente la carga de vibración durante todo el periodo de trabajo.

Adopte medidas de seguridad adicionales para la protección del operador frente al efecto de las vibraciones, como por ejemplo: mantenimiento de la herramienta eléctrica y de los útiles adaptables, mantener las manos calientes, organización de los procesos de trabajo.

ADVERTENCIA! Rogamos leer las indicaciones de seguridad y las instrucciones, también las que contiene el folleto adjunto. En caso de no atenderse a las advertencias de peligro e instrucciones siguientes, ello puede ocasionar una descarga eléctrica, un incendio y/o lesión grave.

Guardar todas las advertencias de peligro e instrucciones para futuras consultas.

INSTRUCCIONES DE SEGURIDAD TALADRO ROTATIVO

¡Utilice protección auditiva! La exposición a niveles de ruido excesivos puede causar pérdida de audición

Sujete el aparato de las superficies aisladas de agarre al efectuar trabajos en los cuales la perforadora de percusión pueda entrar en contacto con conductores de corriente ocultos. El contacto de la perforadora de percusión con un conducto con energía aplicada también podrá poner bajo tensión partes metálicas del aparato y causar un choque eléctrico.

Sujete el aparato por las superficies de sujeción aisladas cuando realice trabajos en los que el tornillo puede alcanzar líneas de corriente eléctrica ocultas. El contacto del tornillo con una línea conductora de corriente

puede poner las partes metálicas del aparato bajo tensión y provocar un choque eléctrico.

Nunca se debe intentar limpiar el polvo o viruta procedente del taladrado con la máquina en funcionamiento.

Para trabajar en paredes, techo o suelo, tenga cuidado para evitar los cables eléctricos y tuberías de gas o agua.

Retire la batería antes de comenzar cualquier trabajo en la máquina.

No tire las baterías usadas a la basura ni al fuego. Los Distribuidores Milwaukee ofrecen un servicio de recogida de baterías antiguas para proteger el medio ambiente.

No almacene la batería con objetos metálicos (riesgo de cortocircuito).

Recargar solamente los acumuladores del Sistema M 12 en cargadores M 12. No intentar recargar acumuladores de otros sistemas.

En caso de sobrecarga o alta temperatura, pueden llegar a producirse escapes de ácido provenientes de la batería. En caso de contacto con éste, limpie inmediatamente la zona con agua y jabón. Si el contacto es en los ojos, límpiese concienzudamente con agua durante 10 minutos y acuda inmediatamente a un médico

MANTENIMIENTO

M12 BDD: El taladro/atomillador por acumulador está diseñado para trabajos de taladrado y atomillado para uso independiente lejos de suministro eléctrico

M12 BPD: El taladro-atomillador electrónico por acumulador es utilizable en todo tipo de trabajos taladrar, con y sin percusión, atornillar sin depender de una toma de corriente.

No utilice este producto para ninguna otra aplicación que no sea su uso normal.

DECLARACION DE CONFORMIDAD CE

Declaramos bajo nuestra responsabilidad que el producto descrito bajo "Datos técnicos" está en conformidad con todas las normas relevantes de la directiva 2011/65/EU (RoHS), 2006/42/CE, 2004/108/CE y con las siguientes normas o documentos normalizados:

- EN 60745-1:2009 + A11:2010
- EN 60745-2-1:2010
- EN 60745-2-2:2010
- EN 55014-1:2006 + A1:2009 + A2:2011
- EN 55014-2:1997 + A1:2001 + A2:2008

Winnenden, 2013-03-12

Alexander Krug



Alexander Krug
Managing Director

Autorizado para la redacción de los documentos técnicos.

Techtronic Industries GmbH
Max-Eyth-Straße 10
71364 Winnenden
Germany

BATERIA

Las baterías nuevas alcanzan su plena capacidad de carga después de 4 - 5 cargas y descargas. Las baterías no utilizadas durante cierto tiempo deben ser recargadas antes de usar.

Las temperaturas superiores a 50°C reducen el rendimiento de la batería. Evite una exposición excesiva a fuentes de calor o al sol (riesgo de sobrecalentamiento).

Los puntos de contacto de los cargadores y las baterías se deben mantener limpios.

Para un tiempo de vida óptimo, deberán cargarse completamente las baterías después de su uso.

Para garantizar la máxima capacidad y vida útil, las baterías recargables se deberán retirar del cargador una vez finalizada la carga.

En caso de almacenar la batería recargable más de 30 días:

Almacenar la batería recargable en un lugar seco a una temperatura de aproximadamente 27°C.

Almacenar la batería recargable con un estado de carga del 30% y 50% aproximadamente.

Recargar la batería cada 6 meses.

PROTECCIÓN CONTRA SOBRECARGA DE LA BATERÍA

En caso de sobrecarga de la batería a causa de un consumo de corriente demasiado elevado, por ejemplo, en momentos de torsión extremadamente altos, de una parada o cortocircuito repentinos; el aparato eléctrico vibra durante 5 segundos, el indicador de carga parpadea y el aparato eléctrico se desconecta automáticamente.

Para conectarlo de nuevo, soltar el botón de encendido y después conectarlo otra vez.

Bajo cargas extremas la batería se calienta demasiado. En este caso, todas las luces del indicador de carga parpadean hasta que la batería se enfría. Cuando se apaga el indicador de carga se puede trabajar de nuevo.

SÍMBOLOS



Lea las instrucciones detenidamente antes de conectar la herramienta



Retire la batería antes de comenzar cualquier trabajo en la máquina.



¡No deseche los aparatos eléctricos junto con los residuos domésticos! De conformidad con la Directiva Europea 2002/96/CE sobre residuos de aparatos eléctricos y electrónicos y su aplicación de acuerdo con la legislación nacional, las herramientas eléctricas cuya vida útil haya llegado a su fin se deberán recoger por separado y trasladar a una planta de reciclaje que cumpla con las exigencias ecológicas.

	M12 BDD	M12 BPD
--	---------	---------

Número de produção.....	4419 01 01.....	4419 16 01.....
	...000001-999999	...000001-999999
Ø de furo em aço	10 mm	10 mm
Ø de furo em madeira	22 mm	22 mm
Ø de furo em tijolo e calcário	10 mm	10 mm
Parafusos para madeira (sem furo prévio).....	6 mm	6 mm
Nº de rotações em vazio na 1ª velocidade.....	0-400 min ⁻¹	0-400 min ⁻¹
Nº de rotações em vazio na 2ª velocidade.....	0-1500 min ⁻¹	0-1500 min ⁻¹
Número de impactos na 1ª velocidade.....	6000 min ⁻¹	6000 min ⁻¹
Número de impactos na 2ª velocidade.....	22500 min ⁻¹	22500 min ⁻¹
Binário max (Li-Ion Bateria 2,0 Ah) *1	30 Nm	30 Nm
Binário max (Li-Ion Bateria 4,0 Ah) *1	38 Nm	38 Nm
Tensão do acumulador	12 V	12 V
Capacidade da bucha.....	1,5-10 mm	1,5-10 mm
Peso nos termos do procedimento-EPTA 01/2003 (2,0 Ah).....	1,18 kg.....	1,24 kg
Peso nos termos do procedimento-EPTA 01/2003 (4,0 Ah).....	1,4 kg.....	1,46 kg

Informações sobre ruído/vibração

Valores de medida de acordo com EN 60 745.
Normalmente o nível de pressão de ruído da ferramenta é

Nível da pressão de ruído (K=3 dB(A)).....	85 dB (A)	85 dB (A)
Nível da potência de ruído (K=3 dB(A)).....	96 dB (A)	96 dB (A)

Use protectores auriculares!

Valores totais de vibração (soma dos vectores das três direcções) determinadas conforme EN 60745.
Valor de emissão de vibração a_h

Furar de impacto em betão	7,9 m/s ²	7,9 m/s ²
Incerteza K=	1,5 m/s ²	1,5 m/s ²
Furar em metal	1,5 m/s ²	1,5 m/s ²
Incerteza K=	1,5 m/s ²	1,5 m/s ²
Parafusos	0,4 m/s ²	0,4 m/s ²
Incerteza K=	1,5 m/s ²	1,5 m/s ²

*1 Medido em conformidade com a Milwaukee Standard N 877318

ATENÇÃO

O nível vibratório indicado nestas instruções foi medido em conformidade com um procedimento de medição normalizado na EN 60745 e pode ser utilizado para comparar entre si ferramentas eléctricas. O mesmo é também adequado para avaliar provisoriamente o esforço vibratório.

O nível vibratório indicado representa as principais aplicações da ferramenta eléctrica. Se, no entanto, a ferramenta eléctrica for utilizada para outras aplicações, com outras ferramentas adaptadas ou uma manutenção insuficiente, o nível vibratório poderá divergir. Isto pode aumentar consideravelmente o esforço vibratório ao longo de todo o período do trabalho.

Para uma avaliação exacta do esforço vibratório devem também ser considerados os tempos durante os quais o aparelho está desligado ou está a funcionar, mas não está efectivamente a ser utilizado. Isto pode reduzir consideravelmente o esforço vibratório ao longo de todo o período do trabalho.

Defina medidas de segurança suplementares para proteger o operador do efeito das vibrações, como por exemplo: manutenção da ferramenta eléctrica e das ferramentas adaptadas, manter as mãos quentes, organização das sequências de trabalho.

⚠ ATENÇÃO! Leia todas as instruções de segurança e todas as instruções, também aquelas que constam na brochura juntada. O desrespeito das advertências e instruções apresentadas abaixo pode causar choque eléctrico, incêndio e/ou graves lesões.
Guarde bem todas as advertências e instruções para futura referência.

INSTRUÇÕES DE SEGURANÇA BERBEQUIM ROTATIVO

Sempre use a protecção dos ouvidos. A influência de ruídos pode causar surdez.

Segure o aparelho nas superfícies de punho isoladas se estiver a executar trabalhos, nos quais a ferramenta de corte pode tocar em linhas eléctricas escondidas. O contacto da ferramenta de corte com uma linha sob tensão também pode colocar peças metálicas do aparelho sob tensão e levar a um choque eléctrico.

Segure o aparelho pela superfície isoladora do punho, se executar trabalhos nos quais o parafuso possa tocar em linhas eléctricas ocultas. O contacto do parafuso com uma linha sob tensão pode também colocar peças metálicas do aparelho sob tensão e provocar um choque eléctrico.

Não remover aparas ou lascas enquanto a máquina trabalha.

Ao trabalhar em paredes, tectos e soalhos prestar atenção a que não sejam atingidos cabos eléctricos e canalizações de gás e água.

Antes de efectuar qualquer intervenção na máquina retirar o bloco acumulador.

Não queimar acumuladores gastos nem deitá-los no lixo doméstico. A Milwaukee possui uma eliminação de acumuladores gastos que respeita o meio ambiente.

Não guardar acumuladores junto com objectos metálicos (perigo de curto-circuito).

Use apenas carregadores do Sistema M 12 para recarregar os acumuladores do Sistema M 12. Não utilize acumuladores de outros sistemas.

Em caso de cargas ou temperaturas extremas, um acumulador de substituição danificado poderá verter líquido de bateria. Se entrar em contacto com este líquido, deverá lavar-se imediatamente com água e sabão. Em caso de contacto com os olhos, enxágue-os bem e de imediato durante pelo menos 10 minutos e consulte um médico o mais depressa possível.

UTILIZAÇÃO AUTORIZADA

M12 BDD: O berbequim aparafusador sem fio pode ser aplicado universalmente para furar e aparafusar sem necessidade de ligar a máquina à rede

M12 BPD: O berbequim aparafusador electrónico com percussão e sem fio pode ser aplicado universalmente para furar, furar com percussão e aparafusar sem necessidade de ligar a máquina à rede.

Não use este produto de outra maneira sem ser a normal para o qual foi concebido.

DECLARAÇÃO DE CONFORMIDADE CE

Declaramos sob responsabilidade exclusiva, que o produto descrito sob "Dados técnicos" corresponde com todas as disposições relevantes da directiva 2011/65/EU (RoHS), 2006/42/CE, 2004/108/CE e dos seguintes documentos normativos harmonizados.

EN 60745-1:2009 + A11:2010
EN 60745-2-1:2010
EN 60745-2-2:2010
EN 55014-1:2006 + A1:2009 + A2:2011
EN 55014-2:1997 + A1:2001 + A2:2008

Winnenden, 2013-03-12



Alexander Krug
Managing Director



Autorizado a reunir a documentação técnica.

Techtronic Industries GmbH
Max-Eyth-Straße 10
71364 Winnenden
Germany

ACUMULADOR

Acumuladores novos atingem a sua plena capacidade após 4-5 ciclos de carga e descarga. Acumuladores não utilizados durante algum tempo devem ser recarregados antes da sua utilização.

Temperaturas acima de 50°C reduzem a capacidade do bloco acumulador. Evitar exposição prolongada ao sol ou a caloríferos.

Manter limpos os contactos eléctricos no carregador e no bloco acumulador.

Para uma vida útil óptima dos acumuladores, terá que carregá-los plenamente após a sua utilização.

Para assegurar uma vida útil longa, o pacote de bateria deve ser removido da carregadora depois do carregamento.

Se o pacote de bateria for armazenado por mais de 30 dias: Armazene o pacote de bateria com aprox. 27°C em um lugar seco.

Armazene o pacote de bateria com aprox. 30%-50% da carga completa.

Carregue o pacote de bateria novamente de 6 em 6 meses.

PROTECÇÃO DE SOBRECARGA DE BATERIA

No caso de sobrecarga da bateria devido a um consumo de corrente demasiado elevado, por exemplo um binário de rotação extremamente elevado, uma paragem repentina ou um curto-circuito, a ferramenta eléctrica vibra durante 5 segundos, o indicador de carregamento de bateria começa a piscar e a ferramenta eléctrica desliga-se automaticamente.

Para a ligar novamente, desligar e voltar a ligar o interruptor. Sob condições extremas, a bateria aquece demasiado. Nesse caso, todas as luzes do indicador de carregamento de bateria piscam até que esta arrefeça. Após as luzes do indicador de carregamento de bateria se apagarem, pode-se continuar a trabalhar.

UTILIZAÇÃO

Utilizar apenas acessórios Milwaukee e peças sobresselentes Milwaukee. Os componentes cuja substituição não esteja descrita devem ser substituídos num serviço de assistência técnica Milwaukee (consultar a brochura relativa à garantia/moradas dos serviços de assistência técnica).

Se for necessário, um desenho de explosão do aparelho pode ser solicitado do seu posto de assistência ao cliente ou directamente da Techtronic Industries GmbH, Max-Eyth-Straße 10, 71364 Winnenden, Alemanha, indicando o tipo da máquina e o número de seis posições na chapa indicadora da potência.

SYMBOLS



Leia atentamente o manual de instruções antes de colocar a máquina em funcionamento.



Antes de efectuar qualquer intervenção na máquina retirar o bloco acumulador.



Não deite ferramentas eléctricas no lixo doméstico! De acordo com a directiva europeia 2002/96/CE sobre ferramentas eléctricas e electrónicas usadas e a transposição para as leis nacionais, as ferramentas eléctricas usadas devem ser recolhidas em separado e encaminhadas a uma instalação de reciclagem dos materiais ecológica.

TECHNISCHE GEGEVENS	Accu-slagboormachine	M12 BDD	M12 BPD
Productienummer	4419 01 01.....	4419 16 01.....	4419 16 01.....
	...000001-999999	...000001-999999	...000001-999999
Boor-Ø in staal	10 mm	10 mm	10 mm
Boor-Ø in hout	22 mm	22 mm	22 mm
Boor-Ø in tegel en kalkzandsteen	10 mm	10 mm	10 mm
Houtschroeven (zonder voorboren)	6 mm	6 mm	6 mm
Onbelast toerental in stand 1	0-400 min ⁻¹	0-400 min ⁻¹	0-400 min ⁻¹
Onbelast toerental in stand 2	0-1500 min ⁻¹	0-1500 min ⁻¹	0-1500 min ⁻¹
Aantal slagen in stand 1	6000 min ⁻¹	6000 min ⁻¹	6000 min ⁻¹
Aantal slagen in stand 2	22500 min ⁻¹	22500 min ⁻¹	22500 min ⁻¹
Draaimoment max (Li-Ion Accu 2,0 Ah) *1	30 Nm	30 Nm	30 Nm
Draaimoment max (Li-Ion Accu 4,0 Ah) *1	38 Nm	38 Nm	38 Nm
Spanning wisselakku	12 V	12 V	12 V
Spanwijdte boorhouder	1,5-10 mm	1,5-10 mm	1,5-10 mm
Gewicht volgens de EPTA-procedure 01/2003 (2,0 Ah)	1,18 kg	1,18 kg	1,24 kg
Gewicht volgens de EPTA-procedure 01/2003 (4,0 Ah)	1,4 kg	1,4 kg	1,46 kg

Geluids-/trillingsinformatie

Meetwaarden vastgesteld volgens EN 60 745.
Het kenmerkende A-gewaardeerde geluidsdruk niveau van de machine bedraagt

Geluidsdruk niveau (K=3 dB(A))	85 dB (A)	85 dB (A)
Geluidsvermogen niveau	96 dB (A)	96 dB (A)

Draag oorbeschermers!

Totale trillingswaarden (vectorsom van drie richtingen) bepaald volgens EN 60745.

Trillingsemisiewaarde a _h		
Slagboren in beton	7,9 m/s ²	7,9 m/s ²
Onzekerheid K=	1,5 m/s ²	1,5 m/s ²
Boren in metaal	1,5 m/s ²	1,5 m/s ²
Onzekerheid K=	1,5 m/s ²	1,5 m/s ²
Schroeven	0,4 m/s ²	0,4 m/s ²
Onzekerheid K=	1,5 m/s ²	1,5 m/s ²

*1 Gemeten volgens de Milwaukee Standard N 877318

WAARSCHUWING

De in deze aanwijzingen vermelde trillingsdruk is gemeten volgens een in EN 60745 genormeerde meetmethode en kan worden gebruikt voor de onderlinge vergelijking van apparaten. Hij is ook geschikt voor een voorlopige inschatting van de trillingsbelasting.

De aangegeven trillingsdruk geldt voor de meest gebruikelijke toepassingen van het elektrische apparaat. Wanneer het elektrische gereedschap echter voor andere doeleinden, met andere dan de voorgeschreven hulpstukken gebruikt of niet naar behoren onderhouden wordt, kan de trillingsdruk afwijken. Dit kan de waarde van de trillingsdruk over de hele werkperiode aanzienlijk verhogen.

Voor een nauwkeurige inschatting van de trillingsdruk moeten ook de tijden in aanmerking worden genomen dat het apparaat uitgeschakeld is of weliswaar loopt, maar niet werkelijk in gebruik is. Dit kan de waarde van de trillingsdruk over de hele werkperiode aanzienlijk verminderen.

Bepaal extra veiligheidsmaatregelen ter bescherming van de bediener tegen de inwerking van trillingen, bijvoorbeeld: onderhoud van elektrische gereedschappen en apparaten, warmhouden van de handen, organisatie van de werkprocessen.

⚠ WAARSCHUWING! Lees alle veiligheidsinstructies en aanwijzingen door - ook die in de bijgeleverde brochure. Als de waarschuwingen en voorschriften niet worden opgevolgd, kan dit een elektrische schok, brand of ernstig letsel tot gevolg hebben.
Bewaar alle waarschuwingen en voorschriften voor toekomstig gebruik.

VEILIGHEIDSAADVIEZEN BOORMACHINE

Draag oorbeschermers. Blootstelling aan geluid kan het gehoor beschadigen.

Houd het apparaat alléén aan de geïsoleerde grijpvlakken vast, wanneer u werkzaamheden uitvoert waarbij het snijgereedschap verborgen stroomleidingen zou kunnen raken. Het contact van het snijgereedschap met een spanningvoerende leiding kan de metalen apparaatdelen onder spanning zetten en zo tot een elektrische schok leiden.

Houd het apparaat alléén vast aan de geïsoleerde grijpvlakken als u werkzaamheden uitvoert waarbij de schroef verborgen stroomleidingen zou kunnen raken. Het contact van de schroef met een spanningvoerende

leiding kan de metalen apparaatdelen onder spanning zetten en zo tot een elektrische schok leiden.

Spanen of splinters mogen bij draaiende machine niet worden verwijderd.

Bij het werken in wanden, plafonds of vloeren oppassen voor elektriciteitsdraden, gas- of waterleidingen.

Voor alle werkzaamheden aan de machine de akku verwijderen.

Verbruikte akku's niet in het vuur of bij het huisvuil werpen. Milwaukee biedt namelijk een milieuvriendelijke recyclingmethode voor uw oude akku's.

Wisselakku's niet bij metalen voorwerpen bewaren (kortsluitingsgevaar!)

Wisselakku's van het Akku-Systeem M 12 alléén met laadapparaten van het Akku-Systeem M 12 laden. Geen akku's van andere systemen laden.

Onder extreme belasting of extreme temperaturen kan uit de accu accu-vloeistof lopen. Na contact met accu-vloeistof direct afwassen met water en zeep. Bij oogcontact direct minstens 10 minuten grondig spoelen en onmiddellijk een arts raadplegen.

VOORGESCHREVEN GEBRUIK HET SYSTEEM

M12 BDD: De accu-boorschroevendraaier is te gebruiken voor boor-en schoefwerkzaamheden, onafhankelijk van een netaansluiting

M12 BPD: De accu elektronische slagboorschroevendraaier is te gebruiken om te boren, slagboren en te schroeven, onafhankelijk van een netaansluiting.

Dit apparaat uitsluitend gebruiken voor normaal gebruik, zoals aangegeven.

EC - VERKLARING VAN OVEREENSTEMMING

Wij verklaren in uitsluitende verantwoording dat het onder 'Technische gegevens' beschreven product overeenstemt met alle relevante voorschriften van de richtlijn 2011/65/EU (RoHS), 2006/42/EG, 2004/108/EG en de volgende geharmoniseerde normatieve documenten:

EN 60745-1:2009 + A1:2010
EN 60745-2-1:2010
EN 60745-2-2:2010
EN 55014-1:2006 + A1:2009 + A2:2011
EN 55014-2:1997 + A1:2001 + A2:2008

Winnenden, 2013-03-12

Alexander Krug

Alexander Krug
Managing Director



Gemachtigd voor samenstelling van de technische documenten

Techtronic Industries GmbH
Max-Eyth-Straße 10
71364 Winnenden
Germany

AKKU

Nieuwe wisselakku's bereiken hun volle capaciteit na 4-5 laad-/ontlaadcycli. Langere tijd niet toegepaste wisselakku's vóór gebruik altijd naladen.

Een temperatuur boven de 50°C vermindert de capaciteit van de accu. Langdurige verwarming door zon of hitte vermijden.

De aansluitcontacten aan het laadapparaat en de akku schoonhouden.

Voor een optimale levensduur moeten de accu's na het gebruik volledig opgeladen worden.

Voor een zo lang mogelijke levensduur van de accu's dienen deze na het opladen uit het laadtoestel te worden verwijderd.

Bij een langere opslag van de accu dan 30 dagen: accu bij ca. 27 °C droog bewaren.
accu bij ca. 30 % - 50 % van de laadtoestand bewaren.
accu om de 6 maanden opnieuw opladen.

OVERBELASTINGSBEVEILIGING VAN DE ACCU

Bij overbelasting van de accu door zeer hoog stroomverbruik, bijv. extreem hoge draaimomenten, plotseling stoppen of kortsluiting, vibreert het elektrische gereedschap gedurende 5 seconden, de laadweergave knippert en het elektrische gereedschap schakelt automatisch uit.

Om het gereedschap weer in te schakelen, moet u de drukschakelaar loslaten en vervolgens weer inschakelen. Onder extreme belastingen wordt de accu te heet. In dit geval knippen alle lampen van de laadweergave totdat de accu afgekoeld is. Na het doven van de laadweergave kunt u weer verder werken.

ONDERDELEN

Gebruik uitsluitend Milwaukee toebehoren en onderdelen. Indien componenten die moeten worden vervangen niet zijn beschreven, neem dan contact op met een officieel Milwaukee servicecentrum (zie onze lijst met servicecentra).

Zo nodig kan een explosietekening van het apparaat worden aangevraagd bij uw klantenservice of direct bij Techtronic Industries GmbH, Max-Eyth-Straße 10, 71364 Winnenden, Duitsland onder vermelding van het machinetype en het zescijferige nummer op het typeplaatje.

SYMBOLEN



Graag instructies zorgvuldig doorlezen vóórdat u de machine in gebruik neemt.



Voor alle werkzaamheden aan de machine de akku verwijderen.



Geef elektrisch gereedschap niet met het huisvuil mee! Volgens de Europese richtlijn 2002/96/EG inzake oude elektrische en elektronische apparaten en de toepassing daarvan binnen de nationale wetgeving, dient gebruikt elektrisch gereedschap gescheiden te worden ingezameld en te worden afgevoerd naar een recycle bedrijf dat voldoet aan de geldende milieu-eisen.

Produktionsnummer	4419 01 01.....	4419 16 01.....
	...000001-999999	...000001-999999
Bor-ø i stål	10 mm	10 mm
Bor-ø i træ	22 mm	22 mm
Bor-ø i tegl og kalksandsten	10 mm	10 mm
Træskruer (uden forboring)	6 mm	6 mm
Omdrejningstal, ubelastet i 1. gear.....	0-400 min ⁻¹	0-400 min ⁻¹
Omdrejningstal, ubelastet i 2. gear.....	0-1500 min ⁻¹	0-1500 min ⁻¹
Slagtal i 1. gear.....	6000 min ⁻¹	6000 min ⁻¹
Slagtal i 2. gear.....	22500 min ⁻¹	22500 min ⁻¹
Drejningsmoment max (Li-Ion Batteri 2,0 Ah) *1	30 Nm	30 Nm
Drejningsmoment max (Li-Ion Batteri 4,0 Ah) *1	38 Nm	38 Nm
Udskiftningsbatteriets spænding	12 V	12 V
Borepatronspændevide	1,5-10 mm	1,5-10 mm
Vægt svarer til EPTA-procedure 01/2003 (2,0 Ah)	1,18 kg	1,24 kg
Vægt svarer til EPTA-procedure 01/2003 (4,0 Ah)	1,4 kg	1,46 kg

Støj/Vibrationsinformation

Måleværdier beregnes iht. EN 60 745.
 Værktøjets A-vægtede lydtrykniveau er typisk

Lydtrykniveau (K=3 dB(A)).....	85 dB (A)	85 dB (A)
Lydeffekt niveau (K=3 dB(A)).....	96 dB (A)	96 dB (A)

Brug høreværn!

Samlede vibrationsværdier (værdisum for tre retninger) beregnet iht. EN 60745.
 Vibrationseksponering a_h

Slagboring i beton.....	7,9 m/s ²
Usikkerhed K=.....	1,5 m/s ²
Boring i metal.....	1,5 m/s ²
Usikkerhed K=.....	1,5 m/s ²
Skruining	0,4 m/s ²
Usikkerhed K=.....	1,5 m/s ²

*1 Målt i.h.t. Milwaukee Standard N 877318

ADVARSEL

Svingningsniveauet, som er angivet i disse anvisninger, er målt i henhold til standardiseret måleprocedure ifølge EN 60745 og kan anvendes til indbyrdes sammenligning mellem el-værktøjer. Svingningsniveauet er ligeledes egnet som foreløbigt skøn over svingningsbelastningen.

Det angivne svingningsniveau er baseret på el-værktøjets primære anvendelsesformål. Hvis el-værktøjet benyttes til andre formål, med andet indsatsværktøj eller ikke vedligeholdes tilstrækkeligt, kan svingningsniveauet afvige. Dette kan øge svingningsbelastningen over den samlede arbejdsperiode betydeligt.

For en nøjagtig vurdering af svingningsbelastningen skal der også tages højde for de tidsperioder, hvor apparatet er slukket, eller hvor apparatet kører, men uden at være i anvendelse. Dette kan reducere svingningsbelastningen over den samlede arbejdsperiode betydeligt.

Supplerende sikkerhedsforanstaltninger til beskyttelse af brugeren mod påvirkninger fra svingninger skal iværksættes, f.eks.: Vedligeholdelse af el-værktøj og indsatsværktøj, varmholdelse af hænder, organisering af arbejdsprocesser.

⚠ ADVARSEL! Læs alle sikkerhedsanvisninger og øvrige vejledninger, også i den vedlagte brochure. I tilfælde af manglende overholdelse af advarselshenvisningerne og instrukserne er der risiko for elektrisk stød, brand og/eller alvorlige kvæstelser.
Opbevar alle advarselshenvisninger og instrukser til senere brug.

SIKKERHEDSHENVISNINGER BOREMASKINE

Bær høreværn. Støjpåvirkning kan bevirke tab af hørelse.

Hold maskinen fast i de isolerede gribeblader, når du udfører arbejde, hvor der er risiko for, at skæreværktøjet kan ramme skjulte strømledninger. Kommer skæreværktøjet i kontakt med en strømførende ledning, kan maskinens metaldele komme under spænding og give elektrisk stød.

Når du udfører arbejde, der indebærer en risiko for, at skruen kan ramme skjulte strømledninger, skal du holde i maskinens isolerede greb. Skruens kontakt med en spændingsførende ledning kan sætte metalliske maskindele under spænding og medføre elektrisk stød.

Spåner eller splinter må ikke fjernes, medens maskinen kører.

Ved arbejdsboring i væg, loft eller gulv skal man passe på elektriske kabler, gas- og vandledninger.

Ved arbejde inden i maskinen, bør batteriet tages ud.

Opbrugte udskiftningsbatterier må ikke brændes eller kasseres sammen med alm. husholdningsaffald. Milwaukee har en miljørigtig bortskaffelse af gamle udskiftningsbatterier, henvend Dem til Deres forhandler.

Opbevar ikke udskiftningsbatterier sammen med metalgenstande af fare for kortslutning.

Brug kun M 12 ladeapparater for opladning af System M 12 batterier.

I tilfælde af en ekstrem belastning eller ekstrem temperatur kan der flyde batterivæske ud af et beskadiget batteri. Hvis De kommer i berøring med batterivæsken, skal den vaskes godt og grundigt af med vand og sæbe. I tilfælde af øjenkontakt, skal man mindst skylle øjnene godt og grundigt igennem i 10 minutter og omgående opsøge en læge.

TILTÆNKT FORMÅL

M12 BDD: Akku bore-/skruemaskinen kan bruges universelt til boring og skruining uafhængigt af en nettilslutning

M12 BPD: Akku slagboremaskinen kan anvendes til alm. boreopgaver, slagboring og som skruemaskine uden tilslutning til stikkontakt.

Produktet må ikke anvendes på anden måde og til andre formål end foreskrevet.

CE-KONFORMITETSERKLÆRING

Vi erklærer som eneansvarlig, at det under "Tekniske data" beskrevne produkt stemmer overens med alle relevante forskrifter, der følger af direktiv 2011/65/EU (RoHS), 2006/42/EF, 2004/108/EF samt af følgende harmoniserede normative dokumenter:

- EN 60745-1:2009 + A11:2010
- EN 60745-2-1:2010
- EN 60745-2-2:2010
- EN 55014-1:2006 + A1:2009 + A2:2011
- EN 55014-2:1997 + A1:2001 + A2:2008

Winnenden, 2013-03-12




Alexander Krug
 Managing Director

Autoriseret til at udarbejde de tekniske dokumenter.

Techtronic Industries GmbH
 Max-Eyth-Straße 10
 71364 Winnenden
 Germany

BATTERI

Nye udskiftningsbatterier opnår deres fulde kapacitet efter 4-5 oplade- og afladecykler. Udskiftningsbatterier, der ikke har været brugt i længere tid, efterlades inden brug.

Ved temperaturer over 50°C formindskes batteriets effekt. Undgå direkte sollys og stærk varme.

Tilslutningskontakterne på oplader og udskiftningsbatterier skal holdes rene.

For at opnå en optimal levetid skal de genopladelige batterier oplades fuldt efter brug.

For at sikre en så lang levetid som muligt skal batterierne tages ud af ladeaggregatet efter opladning.

Skal batterierne opbevares længere end 30 dage:

- Temperatur ca. 27°C i tørre omgivelser.
- Opbevares ved ca. 30%-50% af ladetilstanden.
- Batteri skal genoplades hver 6. måned.

OVERBELASTNINGSSIKRING FOR BATTERI

Overbelastes batteriet på grund af meget højt strømforbrug, f.eks. som følge af ekstremt høje drejningsmomenter, pludseligt stop eller kortslutning, vibrerer el-værktøjet i 5 sekunder, ladeindikatoren blinker, og el-værktøjet slukker af sig selv.

For at tænde igen slippes trykknappen, hvorefter du tænder el-værktøjet igen.

Ved ekstreme belastninger bliver batteriet for varmt. I så fald blinker alle lamper på ladeindikatoren, indtil batteriet er kølet af. Når ladeindikatoren går ud, kan arbejdet genoptages.

VEDLIGEHOLDELSE

Brug kun Milwaukee-tilbehør og Milwaukee-reservedele. Komponenter, hvor udskiftningsproceduren ikke er beskrevet, skal skiftes ud hos et Milwaukee-servicecenter (se brochure garanti/kundeserviceadresser).

Hvis det er nødvendigt, kan der bestilles en sprængkitse af værktøjet. Angiv herved venligst maskintypen samt det seksificerede nummer på mærkepladen og bestil tegningen hos din lokale kundeserviceafdeling eller direkte hos

SYMBOLER



Læs brugsanvisningen nøje før ibrugtagning.



Ved arbejde inden i maskinen, bør batteriet tages ud.



Elværktøj må ikke bortskaffes som almindeligt affald! I henhold til det europæiske direktiv 2002/96/EF om bortskaffelse af elektriske og elektroniske produkter og gældende national lovgivning skal brugt værktøj indsamles separat og bortskaffes på en måde, der skåner miljøet mest muligt.

TEKNISSPESIFISJON	Batteridrevet slagbormaskin/ skrutrekker	M12 BDD	M12 BPD
Produksjonsnummer.....	4419 01 01.....	4419 16 01.....	
	...000001-999999	...000001-999999	
Bor-ø i stål.....	10 mm	10 mm	
Bor-ø i treverk.....	22 mm	22 mm	
Bor-ø i tegl og kalksandstein.....	6 mm	10 mm	
Treskruer (uten forboring).....	6 mm	6 mm	
Tomgangsturtall i 1. gir.....	0-400 min ⁻¹	0-400 min ⁻¹	
Tomgangsturtall i 2. gir.....	0-1500 min ⁻¹	0-1500 min ⁻¹	
Slagtall i 1. gir.....	6000 min ⁻¹	6000 min ⁻¹	
Slagtall i 2. gir.....	22500 min ⁻¹	22500 min ⁻¹	
Dreiemoment maks (Li-Ion Batteri 2,0 Ah) *1.....	30 Nm	30 Nm	
Dreiemoment maks (Li-Ion Batteri 4,0 Ah) *1.....	38 Nm	38 Nm	
Spenningsvekselbatteri.....	12 V	12 V	
Chuckspenrområde.....	1,5-10 mm	1,5-10 mm	
Vekt i henhold til EPTA-Prosedyren 01/2003 (2,0 Ah).....	1,18 kg	1,24 kg	
Vekt i henhold til EPTA-Prosedyren 01/2003 (4,0 Ah).....	1,4 kg	1,46 kg	

Støy-/vibrasjonsinformasjon

Måleverdier fastslått i samsvar med EN 60 745.

Det A-bedømte lydnivået til maskinen er:

Lydtryknivå (K=3 dB(A)).....	85 dB (A)	85 dB (A)
Lydeffektnivå (K=3 dB(A)).....	96 dB (A)	96 dB (A)

Bruk hørselsvern!

Totalt svingningsverdier (vektorsum fra tre retninger) beregnet jf. EN 60745.

Svingningsemissjonsverdi a_n

Slagboring i betong.....	7,9 m/s ²
Usikkerhet K=.....	1,5 m/s ²
Boring i metall.....	1,5 m/s ²
Usikkerhet K=.....	1,5 m/s ²
Skruing.....	0,4 m/s ²
Usikkerhet K=.....	1,5 m/s ²

*1 Målt etter Milwaukee standard N 877318

ADVARSEL

Svingningsnivået som er angitt i denne instruksjonen er målt i overensstemmelse med målemetoden normert i direktiv EN 60745 og kan brukes til å sammenligne elektromaskiner med hverandre. Den egner seg også for en foreløpig vurdering av svingningsbelastningen.

Det angitte svingningsnivået representerer de hovedsaklige bruk av elektroverktøyet. Men anvendes elektroverktøyet for andre bruk med avvikende utskiftbare verktøy eller vedlikeholdet er utilstrekkelig, kan svingningsnivået være avvikende.

Dette kan forhøye svingningsbelastning betydelig over hele arbeidsperioden. For en nøyaktig vurdering av svingningsbelastningen må også det tas hensyn til tiden apparatet er avslått eller står på, men ikke er i bruk. Dette kan redusere svingningsbelastningen betydelig over hele arbeidsperioden.

Innfør også ekstra sikkerhetstiltak for å beskytte bruker mot utvirkningen av svingningene. Disse kan f.eks. være: vedlikehold av elektroverktøyet og det utskiftbare verktøyet, holde hendene varme, organisasjon av arbeidsforløpet.

⚠ ADVARSEL! Les alle sikkerhetsinstruksjoner og bruksanvisninger, også de i den vedlagte brosjyren. Feil ved overholdelsen av advarslene og nedenstående anvisninger kan medføre elektriske støt, brann og/eller alvorlige skader.

Ta godt vare på alle advarslene og informasjonene.

SIKKERHETSHENVISNINGER BORMASKIN

Bruk hørselsvern. Støy kan føre til tap av hørselen

Hold apparatet i de isolerte holdeflatene, når det arbeides på steder hvor elektroverktøyet kan treffe skjulte strømledninger. Kontakt med en ledning som er under spenning, kan også sette metalldele til apparatet under spenning og føre til et elektrisk slag.

Hold apparatet i de isolerte holdeflatene, når arbeid utføres hvor skruen kan treffe skjulte strømledninger. Kontakt av skruen med en strømførende ledning kan sette apparatets metalldele under spenning og føre til elektrisk slag.

Spon eller fliser må ikke fjernes mens maskinen er i gang.

Pass på kabler, gass- og vannledninger når du arbeider i vegger, tak eller gulv.

Ta ut vekselbatteriet før du arbeider på maskinen

Ikke kast brukte vekselbatterier i varmen eller husholdningsavfallet. Milwaukee tilbyr en miljøriktig deponering av gamle vekselbatterier; vennligst spør din fagforhandler.

Ikke oppbevar vekselbatterier sammen med metallgjenstander (kortslutningsfare).

Vekselbatterier av systemet M 12 skal kun lades med lader av systemet M 12. Ikke lad opp batterier fra andre systemer.

Under ekstreme belastninger og ekstreme temperaturer kan det lekke ut batterievæske fra utskiftbare batterier. Ved berøring med batterievæske, vask umiddelbart med såpe og vann. Ved kontakt med øynene må øynene skylles grundig i rennende vann i minst 10 minutter. Oppsøk lege umiddelbart.

SAKSTREKKE

M12 BDD: Batteri-boreskrutrekkeren kan brukes universalt for boring og skruing uavhengig av nettilkopling

M12 BPD: Batteri-elektronikk-slagboreskrutrekkeren kan brukes universelt til boring, slagboring og skruing uavhengig av nettilkopling.

Dette apparatet må kun brukes til de oppgitte formål.

CE-SAMSVARERKLÆRING

Vi erklærer i alene ansvar at produktet beskrevet i "Teknisk data" overensstemmer med alle relevante forskrifter til EU direktiv 2011/65/EU (RoHS), 2006/42/EF, 2004/108/EF og de følgende harmoniserte normative dokumentene.

EN 60745-1:2009 + A11:2010

EN 60745-2-1:2010

EN 60745-2-2:2010

EN 55014-1:2006 + A1:2009 + A2:2011

EN 55014-2:1997 + A1:2001 + A2:2008

Winnenden, 2013-03-12

Alexander Krug

Alexander Krug
Managing Director



Autorisert til å utarbeide den tekniske dokumentasjonen

Techtronic Industries GmbH

Max-Eyth-Straße 10

71364 Winnenden

Germany

BATTERIER

Nye vekselbatterier når sin fulle kapasitet etter 4-5 lade- og utladesyklus. Vekselbatterier som ikke er brukt over lengre tid skal etterlades før bruk.

En temperatur over 50°C reduserer vekselbatteriets kapasitet. Unngå oppvarming i sol eller ved varmeovner (fyring) i lengre tid.

Hold tilkoplingskontaktene på lader og vekselbatteri rene.

For en optimal levetid må batteriene etter bruk ladet helt opp.

For å sikre en lengst mulig brukstid av batteriene skal disse etter oppladning taes ut av laderen.

Ved lagring av batteriene lengre enn 30 dager:

Lagre batteriet tørt ved ca. 27°C.

Lagre batteriet ved en oppladningstilstand på ca. 30%-50%.

Lade opp batteriet igjen etter 6 måneder.

OVERBELASTNINGSVERN FOR OPPLADBARE BATTERIER

Ved overbelastning av det oppladbare batteriet p.g.a. svært høyt strømforbruk; f.eks. ekstrem høye dreiemoment, plutselig stopp eller kortslutning, vibrert elektroverktøyet 5 sekunder, displayet for opplading blinker og elektroverktøyet utkobler seg automatisk.

For gjeninnkobling, slipp løs bryteren og slå så på igjen.

Ved ekstreme belastninger opphører det oppladbare batteriet seg for sterkt. I slike tilfeller blinker alle lampene på displayet til batteriet er avkjølt. Når lampene har sluttet å blinke, kan man fortsette å arbeide.

VEDLIKEHOLD

Bruk kun Milwaukee tilbehør og Milwaukee reservedeler. Komponenter der utskifting ikke er beskrevet skal skiftes ut hos Milwaukee kundeservice (se brosjyre garanti/ kundeserviceadresser).

Ved behov kan det fås en eksplosjonstegning av apparatet hos kundeservice eller direkte hos Techtronic Industries GmbH, Max-Eyth-Straße 10, 71364 Winnenden, Germany ved angivelse av maskinens type og det sekstallige nummeret på maskinens skilt.

SYMBOL



Les nøye gjennom bruksanvisningen før maskinen tas i bruk.



Ta ut vekselbatteriet før du arbeider på maskinen



Kast aldri elektroverktøy i husholdningsavfallet! I henhold til EU-direktiv 2002/96/EF om kasserte elektriske og elektroniske produkter og direktivets iverksettning i nasjonal rett, må elektroverktøy som ikke lenger skal brukes, samles separat og returneres til et miljøvennlig gjenvinningsanlegg.

Produktionsnummer	4419 01 01.....	4419 16 01.....
	...000001-999999	...000001-999999
Borrdiam. in stål.....	10 mm	10 mm
Borrdiam. in trä.....	22 mm	22 mm
Borrdiam. tegel, kalksten.....	-	10 mm
Tråskruvning (utan förborring).....	6 mm	6 mm
Obelastat varvtal 1:a växel.....	0-400 min ⁻¹	0-400 min ⁻¹
Obelastat varvtal 2:a växel.....	0-1500 min ⁻¹	0-1500 min ⁻¹
Slagfrekvens 1:a växel.....	-	6000 min ⁻¹
Slagfrekvens 2:a växel.....	-	22500 min ⁻¹
Vridmoment max (Li-Ion Batteri 2,0 Ah) *1.....	30 Nm	30 Nm
Vridmoment max (Li-Ion Batteri 4,0 Ah) *1.....	38 Nm	38 Nm
Batterispänning.....	12 V	12 V
Chuckens spännområde.....	1,5-10 mm	1,5-10 mm
Vikt enligt EPTA 01/2003 (2,0 Ah).....	1,18 kg	1,24 kg
Vikt enligt EPTA 01/2003 (4,0 Ah).....	1,4 kg	1,46 kg

Buller-/vibrationsinformation

Mätvärdena har tagits fram baserat på EN 60 745. A-värdet av maskinens ljudtrycksnivå är
 Ljudtrycksnivå (K=3 dB(A)) 85 dB (A) 85 dB (A)
 Ljudeffektsnivå (K=3 dB(A)) 96 dB (A) 96 dB (A)

Använd hörselskydd!

Totala vibrationsvärden (vektorsumma ur tre riktningar) framtaget enligt EN 60745.
 Vibrationsemissionsvärde a_h
 Slagborring i betong 7,9 m/s²
 Onoggrannhet K= 1,5 m/s²
 Borring i metall 1,5 m/s²
 Onoggrannhet K= 1,5 m/s²
 Skruvning 0,4 m/s²
 Onoggrannhet K= 1,5 m/s²

*1 Uppmätt enligt Milwaukee Standard N 877318

VARNING

Den i de här anvisningarna angivna vibrationsnivån har uppmätts enligt ett i EN 60745 normerat mätförfarande och kan användas vid jämförelse mellan olika elverktyg. Nivån är även lämplig att använda vid en preliminär bedömning av vibrationsbelastningen.

Den angivna vibrationsnivån representerar den huvudsakliga användningen av det aktuella elverktyget. Men om elverktyget ska användas i andra användningsområden, tillsammans med avvikande insatsverktyg eller efter otillräckligt underhåll, kan vibrationsnivån skilja sig. Det kan öka vibrationsbelastningen betydligt under hela arbetsdagen.

För att få en exaktare bedömning av vibrationsbelastningen ska även den tid beaktas, under vilken elverktyget är avstängt eller är påslaget, utan att det verkligen används. Det kan reducera vibrationsbelastningen betydligt under hela arbetstiden.

Lägg som skydd för användaren fast extra säkerhetsåtgärder mot vibrationernas verkan, som till exempel: underhåll av elverktyg och insatsverktyg, varmhållning av händer och organisering av arbetsförlopp.

⚠ VARNING! Läs alla säkerhetsanvisningar och andra tillhörande anvisningar, även de i den medföljande broschyren. Fel som uppstår till följd av att anvisningarna nedan inte följts kan orsaka elstöt, brand och/eller allvarliga kroppsskador.
Förvara alla varningar och anvisningar för framtida bruk.

SÄKERHETSUTRUSTNING BORRMASKIN

Bär hörselskydd. Bullerbelastning kan orsaka hörselskador.
Håll fast apparaten med hjälp av de isolerade greppytorna när du utför arbeten där arbetsverktyget skulle kunna träffa på dolda elledningar. Om man kommer i kontakt med en spänningsförande ledning, så kan även de delar på verktyget som är av metall bli spänningsförande och leda till att man får en elektrisk stöt.
Håll apparaten i de isolerade greppytorna när ni utför arbeten där skruven kan träffa dolda elkablar. Skruvens kontakt med en strömförande ledning kan sätta apparatdelar av metall under spänning och leda till elektrisk stöt.
 Avlägsna aldrig spån eller flisor när maskinen är igång.

Vid arbetenborring i vägg, tak eller golv, var alltid observant på befintliga el-, gas- eller vattenledningar.

Drag ur batteripaket innan arbete utföres på maskinen.

Kasta inte förbrukade batterier. Lämna dem till Milwaukee Tools för återvinning.

Förvara ej batteriet ihop med metallföremål, kortslutning kan uppstå.

System M 12 batterier laddas endast i System M 12 laddare. Ladda inte batterier från andra system.

Under extrem belastning eller extrem temperatur kan batterivätska tränga ut ur skadade utbytesbatterier. Vid beröring med batterivätska tvätta genast av med vatten och tvål. Vid ögonkontakt spola genast i minst 10 minuter och kontakta genast läkare.

ANVÄND MASKINEN ENLIGT ANVISNINGARNA

M12 BDD: Denna Akkumaskin är användbar för både borring och skruvning

M12 BPD: Denna Akku-elektronikmaskin är användbar för både borring, slagborring och skruvning.

Maskinen får endast användas för angiven tillämpning.

Vi intygar och ansvarar för att den produkt som beskrivs under "Tekniska data" överensstämmer med alla relevanta bestämmelser i direktiv 2011/65/EU (RoHS), 2006/42/EG, 2004/108/EG och följande harmoniserade normerande dokument:

- EN 60745-1:2009 + A11:2010
- EN 60745-2-1:2010
- EN 60745-2-2:2010
- EN 55014-1:2006 + A1:2009 + A2:2011
- EN 55014-2:1997 + A1:2001 + A2:2008

Winnenden, 2013-03-12

Alexander Krug
 Alexander Krug
 Managing Director



Befullmäktigad att sammanställa teknisk dokumentation.
 Techtronic Industries GmbH
 Max-Eyth-Straße 10
 71364 Winnenden
 Germany

BATTERIER

Nya batterier uppnår max effekt efter 4-5 laddningscykler. Batteri som ej använts på länge måste laddas före nytt bruk. En temperatur över 50°C reducerar batteriets effekt. Undvik längre uppvärmning tex i solen eller nära ett element. Se till att anslutningskontaktarna i laddaren och på batteriet är rena.

För en optimal livslängd ska batterierna laddas helt igen efter användningen.

För att få en så lång livslängs som möjligt bör laddningsbara batterier avlägsnas från laddaren när de är laddade.

Om laddningsbara batterier lagras längre än 30 dagar: Lagra batteriet torrt och vid ca 27°C. Lagra batteriet vid ca 30%-50% av laddningskapaciteten. Ladda batterierna på nytt var 6:e månad.

BATTERIÖVERBELASTNINGSSKYDD

Om det laddningsbara batteriet överbelastas genom en mycket hög strömförbrukning, t.ex. extremt höga vridmoment, ett plötsligt stopp eller en kortslutning, så vibrerar elverktyget i 5 sekunder, laddningsindikeringen blinkar och elverktyget fränkopplas automatiskt. För att sedan sätta på elverktyget igen släpper du tryckbrytaren och tillkopplar sedan verktyget igen. Vid en extrem belastning blir det laddningsbara batteriet för varmt. I detta fall blinkar alla lampor på laddningsindikeringen så länge tills batteriet har svalnat. När laddningsindikeringen har slocknat kan du fortsätta med arbetet.

SKÖTSEL

Använd endast Milwaukee-tillbehör och Milwaukee-reservdelar. Komponenter, för vilka inget byte beskrivs, skall bytas ut hos Milwaukee-kundtjänst (se broschyren garanti-/kundtjänstadresser).

Vid behov kan du rekvirera apparatens sprängskiss antingen hos kundservice eller direkt hos Techtronic Industries GmbH, Max-Eyth-Straße 10, 71364 Winnenden, Germany. Du ska då ange maskintypen och numret på sex siffror som står på effektskylten.



Läs instruktionen noga innan du startar maskinen.



Drag ur batteripaket innan arbete utföres på maskinen.



Elektriska verktyg får inte kastas i hushållssoporna! Enligt direktivet 2002/96/EG som avser äldre elektrisk och elektronisk utrustning och dess tillämpning enligt nationell lagstiftning ska uttjänta elektriska verktyg sorteras separat och lämnas till miljövänlig återvinning.

Tuotantonumero	4419 01 01.....	4419 16 01.....
	...000001-999999	...000001-999999
Poran ø teräkseen	10 mm	10 mm
Poran ø puuhun	22 mm	22 mm
Poran ø tiiliin ja kalkkihiekakiviin	6 mm	10 mm
Puuruuvi (ilman esiporausta)	0-400 min ⁻¹	0-400 min ⁻¹
Kuormittamaton kierros-luku 1. vaihteella	0-1500 min ⁻¹	0-1500 min ⁻¹
Kuormittamaton kierros-luku 2. vaihteella	6000 min ⁻¹	22500 min ⁻¹
Vääntömomentti maks (Li-Ion Akku 2,0 Ah) *1	30 Nm	30 Nm
Vääntömomentti maks (Li-Ion Akku 4,0 Ah) *1	38 Nm	38 Nm
Jännite vaihtoakku	12 V	12 V
Istukan aukeama	1,5-10 mm	1,5-10 mm
Paino EPTA-menettelyn 01/2003 mukaan (2,0 Ah)	1,18 kg	1,24 kg
Paino EPTA-menettelyn 01/2003 mukaan (4,0 Ah)	1,4 kg	1,46 kg

Melunpäästö-/täriinätiedot

Mitta-arvot määritetty EN 60 745 mukaan.
Yleensä työkalun A-luokan melutaso

Melutaso (K = 3 dB(A))	85 dB (A)	85 dB (A)
Äänenvoimakkuus (K = 3 dB(A))	96 dB (A)	96 dB (A)

Käytä kuulosuojaimia!

Värähtelyn yhteisarvot (kolmen suunnan vektorisumma) mitattuna EN 60745 mukaan.

Värähtelyemissioarvo a_w

Betonin iskuporaaminen	7,9 m/s ²
Epävarmuus K =	1,5 m/s ²
Metallin poraaminen	1,5 m/s ²
Epävarmuus K =	1,5 m/s ²
Ruuvinvääntö	0,4 m/s ²
Epävarmuus K =	1,5 m/s ²

*1 Mitattu Milwaukee normin N 877318 mukaan

VAROITUS

Näissä ohjeissa mainittu värähtelytaso on mitattu EN 60745 -standardin mukaisella mittausmenetelmällä ja sitä voidaan käyttää sähkötyökalujen vertaamiseen. Sitä voidaan käyttää myös värähtelyrasituksen väliaikaiseen arviointiin.

Mainittu värähtelytaso edustaa sähkötyökalun pääasiallista käyttöä. Jos sähkötyökalua kuitenkin käytetään muihin tehtäviin, poikkeavin työkaluun tai riittämättömästi huoltaen, värähtelytaso voi olla erilainen. Se voi korottaa värähtelyrasitusta koko työajan osalta.

Tarkan värähtelyrasituksen toteamiseen tulee ottaa huomioon aika, jona laite on kytketty pois tai on kylläkin päällä, mutta ei käytössä. Se voi pienentää värähtelyrasitusta koko työajan osalta.

Määrittele lisäturvatoimenpiteitä käyttäjän suojaamiseksi värinöiden vaikutukselta, kuten esimerkiksi: sähkötyökalujen ja käyttötyökalujen huolto, käsien lämpimänä pitäminen, työvaiheiden organisaatio.

VAROITUS! Lue kaikki, myös oheistetussa esitteessä annetut turvallisuusmääräykset ja käyttöohjeet. Turvallisuusohjeiden noudattamisen laiminlyönti saattaa johtaa sähköiskuun, tulipaloon ja/tai vakavaan loukkaantumiseen.
Säilytä kaikki turvallisuus- ja muut ohjeet tulevaisuutta varten.

TURVALLISUUSOHJEET PORAKONE

Käytä korvasuojia. Altistuminen melulle voi vahingoittaa kuuloa.

Pitele laitetta vain eristetyistä tarttumapinnoista, kun suoritat sellaisia töitä, joissa leikkaustyökalu saattaa osua piilossa oleviin sähköjohtoihin. Leikkaustyökalun yhteys jännitteelliseen johtoon saattaa tehdä laitteen metalliset osat jännitteellisiksi ja aiheuttaa sähköiskun.

Pitele laitteesta kiinni sen eristetyistä kahvoista suorittaessasi töitä, joiden aikana ruuvi saattaa osua piilossa oleviin sähköjohtoihin. Ruuvien kosketus jännitteelliseen johtoon saattaa tehdä laitteen metalliosat jännitteellisiksi ja aiheuttaa sähköiskun.

Lastuja tai puruja ei saa poistaa koneen käydessä.

Varo seinään, kattoon tai lattiaan porattaessa osumasta sähköjohtoon, kaasu- ja vesijohtoihin.

Ota akku pois ennen kaikkia koneeseen tehtäviä toimenpiteitä.

Käytettyjä vaihtoakkuja ei saa polttaa eikä poistaa normaalin jätehuollon kautta. Milwaukeeella on tarjolla vanhoja vaihtoakkuja varten ympäristöystävällinen jätehuoltopalvelu.

Vaihtoakkuja ei saa säilyttää yhdessä metalliesineiden kanssa (oikosulkuvaara).

Käytä ainoastaan System M 12 latauslaitetta System M 12 akkujen lataukseen. Älä käytä muiden järjestelmien akkuja.

Vaurioituneesta akusta saattaa erityisen kovassa käytössä tai poikkeavassa lämpötilassa vuotaa akkuhappoa. Ihonkohta, joka on joutunut kosketukseen akkuhapon kanssa on viipymättä pestävä vedellä ja saippualla. Silmä, johon on joutunut akkuhappoa, on huuhdeltava vedellä vähintään 10 minuutin ajan, jonka jälkeen on viipymättä hakeuduttava lääkärin apuun.

TIETOKUVAUS/VAIKUTUS/VAIKUTUS/VAIKUTUS

M12 BDD: Akkuporakone/ruuvinvääntin on akkukäyttöinen ja toimii ilman verkkojohtoa

M12 BPD: Elektronisella akkuiskuporakoneella voi porata, iskuporata ja ruuvata ilmanverkkojohtoa. Koneessa on seuraavat ominaisuudet:

Älä käytä tuotetta ohjeiden vastaisesti.

TODISTUS CE-STANDARDINMUKAISUUDESTA

Vakuutamme yksinvastuullisesti, että kohdassa "Tekniset tiedot" kuvattu tuote vastaa kaikkia sitä koskevia direktiivien 2011/65/EU (RoHS), 2006/42/EY, 2004/108/EY määräyksiä sekä seuraavia harmonisoituja standardisoivia asiakirjoja:

EN 60745-1:2009 + A11:2010
EN 60745-2-1:2010
EN 60745-2-2:2010
EN 55014-1:2006 + A1:2009 + A2:2011
EN 55014-2:1997 + A1:2001 + A2:2008

Winnenden, 2013-03-12

Alexander Krug
Alexander Krug
Managing Director



Valtuutettu kokoamaan tekniset dokumentit.
Techtronic Industries GmbH
Max-Eyth-Straße 10
71364 Winnenden
Germany

AKKU

Uudet vaihtoakut saavuttavat täyden varauskyvyn 4-5 latauksen ja purkauksen jälkeen. Pitkään käyttämättä olleet vaihtoakut on ladattava ennen käyttöä.

Yli 50°C lämpötilassa akun suorituskyky heikkenee. Välttämättä akkujen säilyttämistä auringossa tai kuumissa tiloissa.

Pidä aina latauslaitteen ja akun kosketuspinnat puhtaina. Akut on ladattava täyteen käytön jälkeen optimaalisen eliniän säilyttämiseksi.

Mahdollisimman pitkän elinajan takaamiseksi akut tulee poistaa laturista lataamisen jälkeen.

Akkuja yli 30 päivää säilytettäessä:
Säilytä akku yli 27 °C:ssa ja kuivassa.
Säilytä akku sen latauksen ollessa 30 % - 50 %.
Lataa akku 6 kuukauden välein uudelleen.

AKUN YLIKUORMITUSSUOJAUS

Jos akku ylikuormittuu erittäin suuren virrankulutuksen Jos akku ylikuormittuu erittäin suuren virrankulutuksen takia, esim. erittäin voimakkaiden vääntömomenttien, äkillisen pysähtymisen tai oikosulun vuoksi, niin sähkötyökalu tärisee 5 sekunnin ajan, latausnäyttö vilkkuu ja sähkötyökalu sammuu omaatoimisesti.

Käynnistä laite uudelleen päästämällä katkaisinpainikkeen irti ja käynnistämällä laitteen sitten uudelleen. Erittäin suuressa kuormituksessa akku kuumenee liikaa. Tässä tapauksessa latausnäytön kaikki lamput vilkkuvat, kunnes akku on jäähtynyt. Kun latausnäyttö on sammunut, voi työtä jatkaa.

HUOLTO

Käytä ainoastaan Milwaukee lisätarvikkeita ja Milwaukee varaosia. Mikäli jokin komponentti, jota ei ole kuvailtu, tarvitsee vaihtoa ota yhteys johonkin Milwaukee palvelupisteistä (kts. listamme takuuhuoltoilikkeiden/ palvelupisteiden osoitteista)

Tarvittaessa voit pyytää laitteen räjähdyspiirustuksen ilmoittaen konetyypin ja tyyppikilvessä olevan kuusinumeroisen luvun huoltopalvelustasi tai suoraan

osoitteella Techtronic Industries GmbH,
Max-Eyth-Strasse 10, 71364 Winnenden, Saksa.

SYMBOLIT



Lue käyttöohjeet huolellisesti, ennen koneen käynnistämistä.



Ota akku pois ennen kaikkia koneeseen tehtäviä toimenpiteitä.



Älä hävitä sähkötyökalua tavallisen kotitalousjätteen mukana! Vanhoja sähkö- ja elektroniikkalaitteita koskevan EU-direktiivin 2002/96/ETY ja sen maakohtaisten sovellusten mukaisesti käytetyt sähkötyökalut on toimitettava ongelmajätteen keräyspisteeseen ja ohjattava ympäristöystävälliseen kierrätykseen.

ΤΕΧΝΙΚΑ ΣΤΟΙΧΕΙΑ ΔΡΑΠΑΝΟΚΑΤΣΑΒΙΔΟ ΜΠΑΤΑΡΙΑΣ	M12 BDD	M12 BPD
Αριθμός παραγωγής.....	4419 01 01.....	4419 16 01.....
ø τρύπας σε χάλυβα	10 mm	10 mm
ø τρύπας σε ξύλο	22 mm	22 mm
ø τρύπας σε τούβλο και ασβεστόλιθο	10 mm	10 mm
Ευλόβιδες (χωρίς προδιάρθρωση).....	6 mm	6 mm
Αριθμός στροφών χωρίς φορτίο στην 1η ταχύτητα.....	0-400 min ⁻¹	0-400 min ⁻¹
Αριθμός στροφών χωρίς φορτίο στη 2η ταχύτητα	0-1500 min ⁻¹	0-1500 min ⁻¹
Αριθμός κρούσεων στην 1η ταχύτητα	6000 min ⁻¹	6000 min ⁻¹
Αριθμός κρούσεων στη 2η ταχύτητα	22500 min ⁻¹	22500 min ⁻¹
Αριθμός κρούσεων/Ροπή στρέψης (Li-Ion Μπαταρία 2,0 Ah) *1	30 Nm	30 Nm
Ροπή στρέψης (Li-Ion Μπαταρία 4,0 Ah) *1	38 Nm	38 Nm
Τάση ανταλλακτικής μπαταρίας	12 V	12 V
Περιοχή σύσφιξης του τσοκ	1,5-10 mm	1,5-10 mm
Βάρος σύμφωνα με τη διαδικασία ΕΡΤΑ 01/2003 (2,0 Ah).....	1,18 kg	1,24 kg
Βάρος σύμφωνα με τη διαδικασία ΕΡΤΑ 01/2003 (4,0 Ah).....	1,4 kg	1,46 kg

Πληροφορίες Θορύβου/Δονήσεων

Τιμές μέτρησης εξακριβωμένες κατά EN 60 745.

Τυπική A αξιολογημένη στάθμη θορύβου:

Στάθμη ηχητικής πίεσης (K = 3 dB(A)).....	85 dB (A)	85 dB (A)
Στάθμη ηχητικής ισχύος (K = 3 dB(A)).....	96 dB (A)	96 dB (A)

Φοράτε προστασία ακοής (ωτασπίδες)!

Υλικές τιμές κραδασμών (άθροισμα διανυσμάτων τριών διευθύνσεων) εξακριβώθηκαν σύμφωνα με τα πρότυπα EN 60745.

Τιμή εκπομπής δονήσεων a_h

Κρουστικό τρυπάνι σε μετάνιο	7,9 m/s ²
Ανασφάλεια K=	1,5 m/s ²
Τρύπες σε μέταλλο	1,5 m/s ²
Ανασφάλεια K=	1,5 m/s ²
Βίδωμα	0,4 m/s ²
Ανασφάλεια K=	1,5 m/s ²

*1 Μετρημένη σύμφωνα με το πρότυπο της Milwaukee N 877318

ΠΡΟΕΙΔΟΠΟΙΗΣΗ

Το αναφερόμενο σ' αυτές τις οδηγίες επίπεδο δονήσεων έχει μετρηθεί με μια τυποποιημένη σύμφωνα με το EN 60745 μέθοδο μέτρησης και μπορεί να χρησιμοποιηθεί για τη σύγκριση των ηλεκτρικών εργαλείων μεταξύ τους. Αυτό είναι επίσης κατάλληλο για μια προσωρινή εκτίμηση της επιβάρυνση των δονήσεων.

Το αναφερόμενο επίπεδο δονήσεων αντιπροσωπεύει τις κύριες χρήσεις του ηλεκτρικού εργαλείου. Εάν όμως το ηλεκτρικό χρησιμοποιείται σε άλλες χρήσεις, με διαφορετικά εργαλεία εφαρμογής ή ανεπαρκή συντήρηση, μπορεί να υπαρξει απόκλιση του επιπέδου δονήσεων. Αυτό μπορεί να αυξήσει σημαντικά την επιβάρυνση των δονήσεων για τη συνολική διάρκεια της εργασίας.

Για μια ακριβή εκτίμηση της επιβάρυνσης των δονήσεων οφείλουν επίσης να λαμβάνονται υπόψη οι χρόνοι, στους οποίους η συσκευή είναι απενεργοποιημένη ή είναι μεν ενεργοποιημένη αλλά δεν χρησιμοποιείται πραγματικά. Αυτό μπορεί να μειώσει σημαντικά την επιβάρυνση των δονήσεων για τη συνολική διάρκεια της εργασίας.

Καθορίζετε πρόσθετα μέτρα ασφαλείας για την προστασία του χειριστή από την επίδραση των δονήσεων όπως για παράδειγμα: Συντήρηση του ηλεκτρικού εργαλείου και των εργαλείων εφαρμογής, διατηρείτε ζεστά τα χέρια, οργάνωση των διαδικασιών εργασίας.

⚠ ΠΡΟΕΙΔΟΠΟΙΗΣΗ! Διαβάστε όλες τις Υποδείξεις ασφαλείας και τις Οδηγίες, και αυτές στο επισυναπτόμενο φυλλάδιο. Αμέλειες κατά την τήρηση των προειδοποιητικών υποδείξεων μπορεί να προκαλέσουν ηλεκτροπληξία, κίνδυνο πυρκαγιάς ή/και σοβαρούς τραυματισμούς.
Φυλάξτε όλες τις προειδοποιητικές υποδείξεις και οδηγίες για κάθε μελλοντική χρήση.

ΕΙΔΙΚΕΣ ΥΠΟΔΕΙΞΕΙΣ ΑΣΦΑΛΕΙΑΣ ΠΕΡΙΣΤΡΟΦΙΚΟ ΔΡΑΠΑΝΟ

Φοράτε ωτασπίδες. Η επίδραση θορύβου μπορεί να προκαλέσει απώλεια ακοής.

Να πιάνετε τη συσκευή στις μονωμένες χειρολαβές όταν εκτελείτε εργασίες κατά τις οποίες τα κοπτικά εργαλεία θα μπορούσαν να πέσουν επάνω σε κρυμμένα καλώδια ρεύματος. Η επαφή των κοπτικών εργαλείων με αγνώστο τροφοδοσίας τάσης μπορεί να θέσει τα μεταλλικά μέρη της συσκευής υπ' όταση και να προκαλέσει ηλεκτροπληξία.

Κρατάτε τη συσκευή από τις μονωμένες επιφάνειες συγκράτησης, όταν εκτελείτε εργασίες, στις οποίες η βίδα θα μπορούσε να έρθει σε επαφή με κρυφούς αγωγούς ρεύματος. Η επαφή της βίδας μ' ένα ηλεκτροφόρο καλώδιο μπορεί να προκαλέσει τη μεταφορά ρεύματος στα μεταλλικά εξαρτήματα της συσκευής και να οδηγήσει σε ηλεκτροπληξία.

Τα γρέζια ή τα σκλήθρες δεν επιτρέπεται να απομακρύνονται με κινούμενη τη μηχανή.

Κατά τις εργασίες στον τοίχο, στην οροφή ή στο δάπεδο προσέχετε για τυχόν ηλεκτρικά καλώδια και για σωληνές αερίου και νερού.

Πριν από κάθε εργασία στη μηχανή αφαιρείτε την ανταλλακτική μπαταρία.

Μην πετάτε τις μεταχειρισμένες ανταλλακτικές μπαταρίες στη φωτιά ή στα οικιακά απορρίμματα. Η Milwaukee προσφέρει μια απόσυρση των παλιών ανταλλακτικών μπαταριών σύμφωνα με τους κανόνες προστασίας του περιβάλλοντος, ρωτήστε παρακαλώ σχετικά στο ειδικό κατάστημα πώλησης.

Όταν αποθηκεύετε τις ανταλλακτικές μπαταρίες μαζί με μεταλλικά αντικείμενα (κίνδυνος βραχυκυκλώματος).

Φορτίζετε τις ανταλλακτικές μπαταρίες του συστήματος M 12 μόνο με φορτιστές του συστήματος M 12. Μη φορτίζετε μπαταρίες από άλλα συστήματα.

Όταν υπάρχει υπερβολική καταπόνηση ή υψηλή θερμοκρασία μπορεί να τρέξει υγρό μπαταρίας από τις χαλασμένες επαναφορτιζόμενες μπαταρίες. Αν έρθετε σε επαφή με υγρό μπαταρίας να πλυθείτε αμέσως με νερό και σαπούνι. Σε περίπτωση επαφής με τα μάτια να πλυθείτε σχολαστικά για τουλάχιστον 10 λεπτά και να αναζητήσετε αμέσως ένα γιατρό.

ΧΡΗΣΗ ΣΥΜΦΩΝΑ ΜΕ ΤΟ ΣΚΟΠΟ ΠΡΟΟΡΙΣΜΟΥ

M12 BDD: Το δραπανοκατσαβίδο μπαταρίας μπορεί να χρησιμοποιηθεί γενικά για τρύπημα και βίδωμα ανεξάρτητα από το αν υπάρχει παροχή ρεύματος

M12 BPD: Το ηλεκτρονικό κρουστικό δραπανοκατσαβίδο μπαταρίας μπορεί να χρησιμοποιηθεί γενικά για τρύπημα, τρύπημα με κρούση και βίδωμα ανεξάρτητα από μια σύνδεση στο ηλεκτρικό δίκτυο.

Αυτή η συσκευή επιτρέπεται να χρησιμοποιηθεί μόνο σύμφωνα με τον αναφερόμενο σκοπό προορισμού.

ΔΗΛΩΣΗ ΠΙΣΤΟΤΗΤΑΣ ΕΚ

Δηλώνουμε υπεύθυνα ότι το προϊόν που περιγράφεται στο κεφάλαιο «Τεχνικά χαρακτηριστικά» είναι συμβατό με τις διατάξεις της Κοινοτικής Οδηγίας 2011/65/EU (RoHS), 2006/42/EK, 2004/108/EK και με τα ακόλουθα εναρμονισμένα κανονιστικά έγγραφα:

EN 60745-1:2009 + A11:2010
EN 60745-2-1:2010
EN 60745-2-2:2010
EN 55014-1:2006 + A1:2009 + A2:2011
EN 55014-2:1997 + A1:2001 + A2:2008

Winnenden, 2013-03-12

Alexander Krug

Alexander Krug
Managing Director

Εξουσιοδοτημένος να συντάξει τον τεχνικό φάκελο.

Techtronic Industries GmbH
Max-Eyth-Straße 10
71364 Winnenden
Germany



ΜΠΑΤΑΡΙΕΣ

Οι νέες ανταλλακτικές μπαταρίες φθάνουν στην πλήρη χωρητικότητά τους μετά από 4-5 κύκλους φόρτισης και εκφόρτισης. Επαναφορτίζετε τις ανταλλακτικές μπαταρίες που δεν έχουν χρησιμοποιηθεί για μεγαλύτερο χρονικό διάστημα πριν τη χρήση.

Μια θερμοκρασία πάνω από 50°C μειώνει την ισχύ της ανταλλακτικής μπαταρίας. Αποφεύγετε τη θέρμανση για μεγαλύτερο χρονικό διάστημα από τον ήλιο ή τις συσκευές θέρμανσης.

Διατηρείτε τις επαφές σύνδεσης στο φορτιστή και στην ανταλλακτική μπαταρία καθαρές.

Για μια άριστη διάρκεια ζωής πρέπει μετά τη χρήση οι μπαταρίες να φορτιστούν πλήρως.

Για μια κατά το δυνατόν μεγάλη διάρκεια ζωής οι μπαταρίες μετά τη φόρτιση οφείλουν να αφαιρεθούν από το φορτιστή.

Για την αποθήκευση της μπαταρίας για διάστημα μεγαλύτερο των 30 ημερών:

Αποθηκεύετε τη μπαταρία περ. στους 27°C σε στεγνό χώρο. Αποθηκεύετε τη μπαταρία περ. στο 30%-50% της κατάστασης φόρτισης.

Κάθε 6 μήνες φορτίζετε εκ νέου τη μπαταρία.

ΠΡΟΣΤΑΣΙΑ ΥΠΕΡΦΟΡΤΩΣΗΣ ΤΗΣ ΜΠΑΤΑΡΙΑΣ

Σε υπερφόρτωση της μπαταρίας από πολύ υψηλή κανάλωση ρεύματος, π. χ. από ακραίες υψηλές ροπές περιστροφής, μπλοκάρισμα του τρυπανιού, δονείται το ηλεκτρικό εργαλείο για 5 δευτερόλεπτα, ανασβήνει η ένδειξη φόρτισης και το ηλεκτρικό εργαλείο απενεργοποιείται αυτόματα.

Για μια νέα ενεργοποίηση, αφήνετε ελεύθερο το διακόπτη και στη συνέχεια ενεργοποιείτε εκ νέου. Κάτω από ακραίες καταπονήσεις θερμαίνεται πάρα πολύ η μπαταρία. Στην περίπτωση αυτή ανασβήνουν όλες οι λάμπες της ένδειξης φόρτισης μέχρι να έχει κρυώσει η μπαταρία. Μετά το σβήσιμο της ένδειξης φόρτισης μπορεί να συνεχιστεί η συνεργασία.

ΣΥΝΤΗΡΗΣΗ

Χρησιμοποιείτε μόνο πρόσθ. εξαρτήματα Milwaukee και ανταλλακτικά Milwaukee. Κατασκ. τμήματα, που η αλλαγή τους δεν περιγράφεται, αντικαθιστώνται σε μια τεχνική υποστήριξη της Milwaukee (βλέπε φυλλάδιο εγγύηση/διευθύνσεις τεχνικής υποστήριξης).

Σε περίπτωση που το χρειαστείτε μπορείτε να παραγγείλετε λεπτομερές σχέδιο της συσκευής αναφέροντας τον τύπο και τον εξαψήφιο αριθμό που βρίσκεται στην πινακίδα τεχνικών χαρακτηριστικών από την εξυπηρέτηση πελατών ή απευθείας από την Techtronic Industries GmbH, διεύθυνση Max-Eyth-Straße 10, 71364 Winnenden, Germany.

ΣΥΜΒΟΛΑ



Παρακαλώ διαβάστε σχολαστικά τις οδηγίες χρήσης πριν από την έναρξη λειτουργίας.



Πριν από κάθε εργασία στη μηχανή αφαιρείτε την ανταλλακτική μπαταρία.



Μην πετάτε τα ηλεκτρικά εργαλεία στον κάδο οικιακών απορριμμάτων! Σύμφωνα με την ευρωπαϊκή οδηγία 2002/96/ΕΚ περί ηλεκτρικών και ηλεκτρονικών συσκευών και την ενσωμάτωσή της στο εθνικό δίκαιο, τα ηλεκτρικά εργαλεία πρέπει να συλλέγονται ξεχωριστά και να πιστοποιούνται για ανακύκλωση με τρόπο φιλικό προς το περιβάλλον.

Üretim numarası.....	4419 01 01.....	4419 16 01.....
	...000001-999999	...000001-999999
Delme çapı çelikte	10 mm	10 mm
Delme çapı tahta	22 mm	22 mm
Delme çapı tuğla ve kireçli kum taşı	10 mm	10 mm
Ağaç vidaları (kılavuz deliksiz)	6 mm	6 mm
Boşta devir sayısı 1. Viteste.....	0-400 min ⁻¹	0-400 min ⁻¹
Boşta devir sayısı 2. Viteste.....	0-1500 min ⁻¹	0-1500 min ⁻¹
Tepme sayısı 1. Viteste	6000 min ⁻¹	6000 min ⁻¹
Tepme sayısı 2. Viteste	22500 min ⁻¹	22500 min ⁻¹
Tork (Li-Ion Akü 2,0 Ah) *1.....	30 Nm	30 Nm
Tork (Li-Ion Akü 4,0 Ah) *1.....	38 Nm	38 Nm
Kartuş akü gerilimi	12 V	12 V
Mandren kapasitesi	1,5-10 mm	1,5-10 mm
Ağırlığı ise EPTA-üretici 01/2003'e göre. (2,0 Ah).....	1,18 kg	1,24 kg
Ağırlığı ise EPTA-üretici 01/2003'e göre. (4,0 Ah).....	1,4 kg	1,46 kg

Gürültü/Vibrasyon bilgileri

Ölçüm değerleri EN 60 745 e göre belirlenmektedir.
Aletin A değerlendirmeli gürültü seviyesi tipik olarak şu değerdedir:

Ses basıncı seviyesi (K=3 dB(A)).....	85 dB (A)	85 dB (A)
Akustik kapasite seviyesi (K=3 dB(A))	96 dB (A)	96 dB (A)

Koruyucu kulaklık kullanın!

Toplam titreşim değeri (üç yönün vektör toplamı) EN 60745'e göre belirlenmektedir:

titreşim emisyon değeri a _h		
Darbeli beton delme	7,9 m/s ²	7,9 m/s ²
Tolerans K=.....	1,5 m/s ²	1,5 m/s ²
Metal delme	1,5 m/s ²	1,5 m/s ²
Tolerans K=.....	1,5 m/s ²	1,5 m/s ²
Vida ile tutturma.....	0,4 m/s ²	0,4 m/s ²
Tolerans K=.....	1,5 m/s ²	1,5 m/s ²

*1 Milwaukee Standard N 877318'e göre ölçülmüştür.

UYARI

Bu talimatlarda belirtilen titreşim seviyesi, EN 60745 standardına uygun bir ölçme metodu ile ölçülmüştür ve elektrikli el aletleri birbiriyle karşılaştırmak için kullanılabilir. Ölçüm sonuçları ayrıca titreşim yükünün geçici değerlendirilmesi için de uygundur.

Belirtilen titreşim seviyesi, elektrikli el aletinin genel uygulamaları için geçerlidir. Ancak elektrikli el aleti başka uygulamalar için, farklı eklenti parçalarıyla ya da yetersiz bakım koşullarında kullanılırsa, titreşim seviyesi farklılık gösterebilir. Bu durumda, titreşim yükü toplam çalışma zaman aralığı içerisinde belirgin ölçüde yükselebilir.

Titreşim yükünün tam bir değerlendirmesi için ayrıca cihazın kapalı olduğu süreler ve cihazın çalışır durumda olduğu, ancak gerçek kullanımda bulunmadığı süreler de dikkate alınmalıdır. Böylelikle, toplam çalışma zamanı aralığı boyunca meydana gelen titreşim yükü belirgin ölçüde azaltılabilir.

Kullanıcıyı titreşimlerin etkisinden korumak üzere, örneğin elektrikli el aletlerinin ve eklenti parçalarının bakımı, ellerin sıcak tutulması ve iş akışlarının organizasyonu gibi ek güvenlik tedbirleri belirleyiniz.

⚠ UYARI! Güvenlikle ilgili bütün açıklamaları, talimatları ve ilişikteki broşürde yazılı bulunan hususları okuyunuz. Açıklanan uyarılara ve talimat hükümlerine uyulmadığı takdirde elektrik çarpmalarına, yangınlara ve/veya ağır yaralanmalara neden olunabilir.
Bütün uyarıları ve talimat hükümlerini ileride kullanmak üzere saklayın.

GÜVENLİĞİNİZ İÇİN TALİMATLAR MATKAP MAKİNESİ

Koruyucu kulaklık kullanın. Çalışırken çıkan gürültü işitme kayıplarına neden olabilir.

Kesme aletinin eğrilmiş elektrik kabloları isabet eden çalışmalar yapılırken cihazı izole edilmiş kollarından tutun. Kesme aletinin içinden elektrik akımı geçen kablo ile temas etmesi durumunda elektrik akımı cihazın metal kısımlarına geçer ve elektrik çarpmasına sebebiyet verebilir.

Vidayı büken ve elektrik hattına maruz kalabilen çalışmalar yaparken cihazın izole edilmiş bulunan tutacak kolundan tutun. Voltaj altında kalan vida ile temas edilmesi, metal cihaz parçalarına elektrik akımı verebilir ve bu da elektrik çarpmasına neden ol.

Alet çalışır durumda iken talaş ve kırpıntıları temizlemeye çalışmayın.

Duvar, tavan ve zeminde delik açarken elektrik kablolarına, gaz ve su borularına dikkat edin.

Aletin kendinde bir çalışma yapmadan önce kartuş aküyü çıkarın.

Kullanılmış kartuş aküleri ateşe veya ev çöplerine atmayın. Milwaukee, kartuş akülerin çevreye zarar vermeyecek biçimde tasfiye edilmesine olanak sağlayan hizmet sunar; lütfen bu konuda yetkili satıcınızdan bilgi alın.

Kartuş aküleri metal parça veya eşyalarla birlikte saklamayın (kisa devre tehlikesi).

M 12 sistemli kartuş aküleri sadece M 12 sistemli şarj cihazları ile şarj edin. Başka sistemli aküleri şarj etmeyin.

Aşırı zorlanma veya aşırı ısınma sonucu hasar gören kartuş akülerden batarya sıvısı dışarı akabilir. Batarya sıvısı ile temas gelen yerleri hemen bol su ve sabunla yıkayın. Batarya sıvısı gözünüze kaçacak olursa en azından 10 dakika yıkayın ve zaman geçirmeden bir hekime başvurun.

M12 BDD: Bu akülü delme/vidalama makinesi, şebeke akımına bağlı kalınmadan delme ve vidalama işlerinde çok yönlü olarak kullanılabilir

M12 BPD: Bu akülü elektronik darbeli matkap şebeke akımından bağımsız olarak delme, darbeli delme ve vidalama işlerinde çok yönlü olarak kullanılabilir.

Bu alet sadece belirttiği gibi ve usulüne uygun olarak kullanılabilir.

CE UYGUNLUK BEYANI

Tek sorumlu olarak "Teknik Veriler" bölümünde tarif edilen ürünün 2011/65/EU (RoHS), 2006/42/EC, 2004/108/EC sayılı direktifin ve aşağıdaki harmonize temel belgelerin bütün önemli hükümlerine uygun olduğunu beyan etmekteyiz:

EN 60745-1:2009 + A11:2010
EN 60745-2-1:2010
EN 60745-2-2:2010
EN 55014-1:2006 + A1:2009 + A2:2011
EN 55014-2:1997 + A1:2001 + A2:2008

Winnenden, 2013-03-12

Alexander Krug

Alexander Krug
Managing Director



Teknik evrakları hazırlamakla görevlendirilmiştir.

Techtronic Industries GmbH
Max-Eyth-Straße 10
71364 Winnenden
Germany

AKÜ

Yeni kartuş aküler ancak 4-5 şarj/deşarj işleminden sonra tam kapasitelerine ulaşırlar. Uzun süre kullanım dışı kalmış kartuş aküleri kullanmadan önce şarj edin.

50°C üzerindeki sıcaklıklar kartuş akünün performansını düşürür. Akünün güneş ışığı veya mekân sıcaklığı altında uzun süre ısınmamasına dikkat edin.

Şarj cihazı ve kartuş aküdeki bağlantı kontaklarını temiz tutun.

Akünün ömrünün mükemmel bir şekilde uzun olması için kullandıktan sonra tamamen doldurulması gerekir.

Ömrünün mümkün olduğu kadar uzun olması için akülerin yüklemeye yapıldıktan sonra doldurma cihazından uzaklaştırılması gerekir.

Akünün 30 günden daha fazla depolanması halinde: Aküyü takriben 27°C'de kuru olarak depolayın.

Aküyü yüklemeye durumundaki takriben % 30 - %50 olarak depolayın.

Aküyü her 6 ay yeniden doldurun.

AKÜNÜN AŞIRI YÜKLENMEYE KARŞI KORUNMASI

Pek fazla elektrik tüketiminden dolayı, örneğin aşırı fazla devir momentleri, aniden durma veya kısa devre gibi aküyü aşırı yüklenme durumunda elektro cihazı 5 saniye titreşir, yüklemeye göstergesi yanıp söner ve elektro cihaz kendiliğinden durur. Yeniden çalıştırmak için şalter baskısını serbest bırakın ve bundan sonra tekrar çalıştırın. Akü aşırı yüklenmeden dolayı fazla ısınır. Bu durumda akü soğuyana kadar yüklemeye göstergesinin bütün lambaları yanıp söner. Gösterge lambalarının sönmelerinden sonra tekrar çalışmaya devam edilebilir.

Sadece Milwaukee aksesuarı ve yedek parçası kullanın. Nasılı değiştirileceği açıklanmamış olan yapı parçalarını bir Milwaukee müşteri servisinde değiştirin (Garanti ve servis adresi broşürüne dikkat edin).

Gerektiğinde cihazın ayrıntılı çizimini, güç levhası üzerindeki makine modelini ve altı haneli rakamı belirterek müşteri servisizden veya doğrudan Techtronic Industries GmbH, Max-Eyth-Straße 10, 71364 Winnenden, Germany adresinden isteyebilirsiniz.

SEMBOLLER



Lütfen aleti çalıştırmadan önce kullanma kılavuzunu dikkatli biçimde okuyun.



Aletin kendinde bir çalışma yapmadan önce kartuş aküyü çıkarın.



Elektrikli el aletlerini evdeki çöp kutusuna atmayınız! Kullanılmış elektrikli aletleri, elektrik ve elektronik eski cihazlar hakkındaki 2002/96/EC Avrupa yönergelerine göre ve bu yönergeler ulusal hukuk kurallarına göre uyarlanarak, ayrı olarak toplanmalı ve çevre şartlarına uygun bir şekilde tekrar değerlendirilmeye gönderilmelidir.

Výrobní číslo.....	4419 01 01.....	4419 16 01.....
	...000001-999999	...000001-999999
Vrtací Ø v oceli.....	10 mm.....	10 mm
Vrtací Ø v dřevě.....	22 mm.....	22 mm
Vrtání Ø v cihle a vápenopískové cihle.....	10 mm.....	10 mm
Vruty do dřeva (bez předvrtání).....	6 mm.....	6 mm
Počet otáček při běhu naprázdno na 1.st.rychlosti.....	0-400 min ⁻¹	0-400 min ⁻¹
Počet otáček při běhu naprázdno na 2.st.rychlosti.....	0-1500 min ⁻¹	0-1500 min ⁻¹
Počet úderů na 1.st.rychlosti.....	6000 min ⁻¹
Počet úderů na 2.st.rychlosti.....	22500 min ⁻¹
Kroutilcí moment max (Akumulátory 2,0 Ah) *1.....	30 Nm.....	30 Nm
Kroutilcí moment max (Akumulátory 4,0 Ah) *1.....	38 Nm.....	38 Nm
Napětí výměnného akumulátoru.....	12 V.....	12 V
Rozsah upnutí sklíčidla.....	1,5-10 mm.....	1,5-10 mm
Hmotnost podle prováděcího předpisu EPTA 01/2003 (2,0 Ah).....	1,18 kg.....	1,24 kg
Hmotnost podle prováděcího předpisu EPTA 01/2003 (4,0 Ah).....	1,4 kg.....	1,46 kg

Informace o hluku / vibracích

Naměřené hodnoty odpovídají EN 60 745.

Typická vážená		
Hladina akustického tlaku (K = 3 dB(A)).....	85 dB (A).....	85 dB (A)
Hladina akustického výkonu (K = 3 dB(A)).....	96 dB (A).....	96 dB (A)

Používejte chrániče sluchu !

Celkové hodnoty vibrací (vektorový součet tří směrů) zjištěné ve smyslu EN 60745.

Hodnota vibračních emisí a _h		
Vrtání betonu s příklepem.....	7,9 m/s ²
Kolisavost K=.....	1,5 m/s ²
Vrtání kovů.....	1,5 m/s ²
Kolisavost K=.....	1,5 m/s ²
Šroubování.....	0,4 m/s ²
Kolisavost K=.....	1,5 m/s ²

*1 Změřeno podle normy Milwaukee N 877318

VAROVÁNÍ

Úroveň chvění uvedená v tomto návodu byla naměřena podle metody měření stanovené normou EN 60745 a může být použita pro porovnání elektrického nářadí. Hodí se také pro průběžný odhad zatížení chvěním.

Uvedená úroveň chvění představuje hlavní účely použití elektrického nářadí. Jestliže se ale elektrické nářadí používá pro jiné účely, s odlišnými nástroji nebo s nedostatečnou údržbou, může se úroveň chvění odlišovat. To může značně zvýšit zatížení chvěním během celé pracovní doby.

Pro přesný odhad zatížení chvěním se musí také zohlednit časy, během kterých je přístroj vypnutý nebo kdy je sice v chodu, ale skutečně se s ním nepracuje. To může zatížení chvěním během celé pracovní doby značně snížit.

Stanovte doplňková bezpečnostní opatření pro ochranu obsluhy před účinky chvění jako například: technická údržba elektrického nářadí a nástrojů, udržování teploty rukou, organizace pracovních procesů.

VAROVÁNÍ! Seznamte se se všemi bezpečnostními pokyny a sice i s pokyny v příložené brožůře. Zanedbání při dodržování varovných upozornění a pokynů mohou mít za následek úder elektrickým proudem, požár a/nebo těžká poranění.

Všechna varovná upozornění a pokyny do budoucna uschovejte.

BEZPEČNOSTNÍ UPOZORNĚNÍ VRTAČKY

Používejte chrániče sluchu. Působením hluku může dojít k poškození sluchu.

Při provádění prací, při kterých nástroj může narazit na skryta elektrická vedení, držte přístroj za izolované přidržovací plošky. Kontakt řezného nástroje s vedením pod napětím může vést k přenosu napětí na kovové části přístroje a k úrazu elektrickým proudem.

Přístroj držte za izolované plochy, pokud provádíte práce, při kterých může šroub zasáhnout skryta elektrická vedení. Kontakt šroubu s vedením pod napětím může přivést napětí na kovové části přístroje a způsobit elektrický ráz.

Pokud stroj běží, nesmí být odstraňovány třísky nebo odstěpky.

Při vrtání do zdi, stropu nebo podlahy dávat pozor na elektrické kabely, plynová a vodovodní potrubí.

Před zahájením veškerých prací na vrtacím šroubováků vyjmout výměnný akumulátor.

Použitě nevyhazujte do domovního odpadu nebo do ohně. Milwaukee nabízí ekologickou likvidaci starých článků, ptejte se u vašeho obchodníka s nářadím.

Náhradní akumulátor neskladujte s kovovými předměty, nebezpečí zkratu.

Akumulátor systému M 12 nabíjejte pouze nabíječkou systému M 12. Nenabíjejte akumulátory jiných systémů.

Při extrémní zátěži či vysoké teplotě může z akumulátoru vytékat kapalina. Při zasažení touto kapalinou okamžitě zasažená místa omyjte vodou a mýdlem. Při zasažení očí okamžitě důkladně po dobu alespoň 10min.omyvat a neodkladně vyhledat lékaře.

OBLAST VÝTĚŽÍ

M12 BDD: Akumulátorový vrtací šroubovák je univerzálně použitelný pro vrtání a šroubování nezávisle na elektrické síti

M12 BPD: Akumulátorový pŮklopkový vrtací arobovák je univerzáln pou-itelný pro vrtání, pŮklopkové vrtání a arobování nezávisle na elektrické síti.

Toto zařízení lze používat jen pro uvedený účel.

CE-PROHLÁŠENÍ O SHODĚ

Výhradně na vlastní zodpovědnost prohlašujeme, že se výrobek popsaný v "Technických údajích" shoduje se všemi relevantními předpisy směrnice 2011/65/EU (RoHS), 2006/42/ES, 2004/108/ES a s následujícími harmonizovanými normativními dokumenty:

- EN 60745-1:2009 + A11:2010
- EN 60745-2-1:2010
- EN 60745-2-2:2010
- EN 55014-1:2006 + A1:2009 + A2:2011
- EN 55014-2:1997 + A1:2001 + A2:2008

Winnenden, 2013-03-12

Alexander Krug



Alexander Krug
Managing Director

Zplnomocněn k sestavování technických podkladů.

Techtronic Industries GmbH
Max-Eyth-Straße 10
71364 Winnenden
Germany

AKUMULÁTORY

Nový akumulátor dosáhne plné kapacity po 4 - 5 nabíjecích cyklech. Děle nepoužívané akumulátory je nutné před použitím znovu nabít.

Teplota přes 50°C snižuje výkon akumulátoru. Chraňte před dlouhým přehříváním na slunci či u topení.

Kontakty nabíječky a akumulátoru udržujte v čistotě.

Optimální životnost akumulátorů se zajistí, když se po použití vždy plně nabijí.

K zabezpečení dlouhé životnosti by se akumulátory měly po nabití vyjmout z nabíječky.

Při skladování akumulátoru po dobu delší než 30 dní:

Skladujte akumulátor v suchu při cca 27°C.

Skladujte akumulátor při cca 30%-50% nabíjecí kapacity.

Opakujte nabíjení akumulátoru každých 6 měsíců.

OCHRANA PROTI PŘETÍŽENÍ AKUMULÁTORU

Při přetížení akumulátoru příliš vysokou spotřebou proudu, například při extrémně vysokém kroutilcím momentu, začne elektrické nářadí po dobu 5 sekund vřávat, indikátor doobjení začne blikat a motor se následně samočinně vypne.

K opětnému zapnutí uvolněte a následně opět stiskněte tlačítkový vypínač.

Při extrémním zatížení dochází k příliš vysokému ohřevu akumulátoru. V tomto případě začnou blikat všechny kontrolky indikátoru doobjení a blikají tak dlouho, dokud se akumulátor opět neochladí.

V okamžiku, kdy indikátor doobjení přestane blikat, je možné v práci opět pokračovat.

ÚDRŽBA

Používat výhradně příslušenství Milwaukee a náhradní díly Milwaukee. Díly jejichž výměny nebyla popsána, nechte vyměnit v autorizovaném servisu (viz. "Záruky / Seznam servisních míst")

V případě potřeby si můžete v servisním centru pro zákazníky nebo přímo od firmy Techtronic Industries GmbH, Max-Eyth-Straße 10, 71364 Winnenden, Německo vyžádat schematický náčrt jednotlivých dílů přístroje, když uvedete typ přístroje a šestimístné číslo na výkonovém štítku.

SYMBOLY



Před spuštěním stroje si pečlivě přečtěte návod k používání.



Před zahájením veškerých prací na vrtacím šroubováků vyjmout výměnný akumulátor.



Elektrické nářadí nevyhazujte do komunálního odpadu! Podle evropské směrnice 2002/96/EC o nakládání s použitými elektrickými a elektronickými zařízeními a odpovídajících ustanovení právních předpisů jednotlivých zemí se použítá elektrická nářadí musí sbírat oddělene od ostatního odpadu a podrobit ekologicky šetrnému recyklování.

TECHNICKÉ ÚDAJE	Akumulátorová vrtáčka a utahovačka	M12 BDD	M12 BPD
Výrobné číslo.....	4419 01 01.....	4419 16 01.....	4419 16 01.....
Priemer vrtu do ocele	10 mm	10 mm	10 mm
Priemer vrtu do dreva	22 mm	22 mm	22 mm
Priemer vrtu do tehly a vápencového pieskovca	6 mm	6 mm	10 mm
Skrutkovanie do dreva (bez predvrtu)	0-400 min ⁻¹	0-400 min ⁻¹	0-400 min ⁻¹
Otáčky naprázdno v 2. prevodovom stupni	0-1500 min ⁻¹	0-1500 min ⁻¹	0-1500 min ⁻¹
Počet úderov v 1. prevodovom stupni	6000 min ⁻¹	6000 min ⁻¹	6000 min ⁻¹
Počet úderov v 2. prevodovom stupni	22500 min ⁻¹	22500 min ⁻¹	22500 min ⁻¹
Točivý moment max (Akumulátor 2,0 Ah) *1	30 Nm	30 Nm	30 Nm
Točivý moment max (Akumulátor 4,0 Ah) *1	38 Nm	38 Nm	38 Nm
Napätie výmenného akumulátora	12 V	12 V	12 V
Upínací rozsah skľučovačla	1,5-10 mm	1,5-10 mm	1,5-10 mm
Hmotnosť podľa vykonávacieho predpisu EPTA 01/2003 (2,0 Ah)	1,18 kg	1,18 kg	1,24 kg
Hmotnosť podľa vykonávacieho predpisu EPTA 01/2003 (4,0 Ah)	1,4 kg	1,4 kg	1,46 kg

Informácia o hluku / vibráciách

Namerané hodnoty určené v súlade s EN 60 745.

A-ohodnotená hladina akustického tlaku prístroja činí

Hladina akustického tlaku (K=3 dB(A))	85 dB (A)	85 dB (A)
Hladina akustického výkonu (K=3 dB(A))	96 dB (A)	96 dB (A)

Používajte ochranu sluchu!

Celkové hodnoty vibrácií (vektorový súčet troch smerov) zistené v zmysle EN 60745.

Hodnota vibračných emisií a_h

Vŕtanie betónu s príklepom	7,9 m/s ²
Kolisavosť K=	1,5 m/s ²
Vŕtanie kovov	1,5 m/s ²
Kolisavosť K=	1,5 m/s ²
Skrutkovanie	0,4 m/s ²
Kolisavosť K=	1,5 m/s ²

*1 Merané podľa Milwaukee normy N 877318

POZOR

Úroveň vibrácií uvedená v týchto pokynoch bola nameraná meracou metódou, ktorú stanovuje norma EN 60745 a je možné ju použiť na vzájomné porovnanie elektrického náradia. Hodí sa aj na predbežné posúdenie kmitavého namáhania.

Uvedená úroveň vibrácií reprezentuje hlavné aplikácie elektrického náradia. Ak sa však elektrické náradie používa pre iné aplikácie, s odlišnými vložkami alebo nástrojmi alebo s nedostatočnou údržbou, môže sa úroveň vibrácií líšiť. Toto môže kmitavé namáhanie v priebehu celej pracovnej doby podstatne zvýšiť.

Pre presný odhad kmitavého namáhania by sa mali tiež zohľadniť doby, v ktorých je náradie vypnuté alebo je síce v chode, ale v skutočnosti sa nepoužíva. Toto môže kmitavé namáhanie v priebehu celej pracovnej doby zreteľne redukovať.

Stanovte dodatočné bezpečnostné opatrenia pre ochranu obsluhy pred účinkami vibrácií, ako napríklad: údržba elektrického náradia a vložených nástrojov, udržiavanie teploty rúk, organizácia pracovných postupov.

⚠️ POZOR! Zoznámte sa so všetkými bezpečnostnými pokynmi a síce aj s pokynmi v priloženej brožúre.

Zanedbanie dodržiavania Výstražných upozornení a pokynov uvedených v nasledujúcom texte môže mať za následok zásah elektrickým prúdom, spôsobíť požiar a/alebo ťažké poranenie.

Tieto výstražné upozornenia a bezpečnostné pokyny starostlivo uschovajte na budúce použitie.

BEZPEČNOSTNÉ POKYNY VRTAČKA

Používajte ochranu sluchu. Pôsobenie hluku môže spôsobiť stratu sluchu.

Pri realizovaní prác, pri ktorých nástroj môže naraziť na skryté elektrické vedenia, držte prístroj za izolované pridržovacie plošky. Kontakt rezného nástroja s vedením pod napätím môže viesť k prenosu napätia na kovové časti prístroja a k úrazu elektrickým prúdom.

Kadar izvajate dela pri katerih lahko sveder zadane v prikriti električne vode, držite napravo za izolirane prijemalne površine. Stik svedra z električnim vodnikom lahko kovinske deli naprave spravi pod napetost in vodi do električnega udara.

Triesky alebo úlomky sa nesmú odstraňovať za chodu stroja.

Pri práci v stene, strope alebo v podlahe dávajte pozor na elektrické káble, plynové a vodovodné potrubia.

Pred každou prácou na stroji výmenný akumulátor vytiahnuť.

Opotrebované výmenné akumulátory nezahadzujte do ohňa alebo medzi domový odpad. Milwaukee ponúka likvidáciu starých výmenných akumulátorov, ktorá je v súlade s ochranou životného prostredia; informujte sa u Vášho predajcu.

Výmenné akumulátory neskladovať spolu s kovovými predmetmi (nebezpečenstvo skratu).

Výmenné akumulátory systému M 12 nabíjať len nabíjacími zariadeniami systému M 12. Akumulátory iných systémov týmto zariadením nenabíjať.

Pri extrémnych záťažach alebo extrémnych teplotách môže dôjsť k vytekaniu batérievej tekutiny z poškodeného výmenného akumulátora. Ak dôjde ku kontaktu pokožky s roztokom, postihnute miesto umyť vodou a mydlom. Ak sa roztok dostane do očí, okamžite ich dôkladne vypláchnuť po dobu min. 10 min a bezodkladne vyhľadať lekára.

POUŽITIE PODĽA PREDPISU

M12 BDD: AKU-vrtáči skrutkovač je univerzálne použiteľný na vŕtanie a skrutkovanie nezávisle od sieťovej prípojky

M12 BPD: AKU-elektronický príklepový vrtáči skrutkovač je univerzálne použiteľný na vŕtanie, príklepové vŕtanie a skrutkovanie nezávisle od sieťovej prípojky.

Tento prístroj sa smie používať len v súlade s uvedenými predpismi.

CE - VYHLÁSENIE KONFORMITY

Výhradne na vlastnú zodpovednosť vyhlasujeme, že výrobok popísaný v "Technických údajoch" sa zhoduje so všetkými relevantnými predpismi smernice 2011/65/EU (RoHS), 2006/42/EC, 2004/108/EC a nasledujúcimi harmonizujúcimi normatívnymi dokumentmi:

EN 60745-1:2009 + A11:2010
EN 60745-2-1:2010
EN 60745-2-2:2010
EN 55014-1:2006 + A1:2009 + A2:2011
EN 55014-2:1997 + A1:2001 + A2:2008

Winnenden, 2013-03-12

Alexander Krug

Alexander Krug
Managing Director



Splnomocnený zostaviť technické podklady.

Techtronic Industries GmbH
Max-Eyth-Straße 10
71364 Winnenden
Germany

AKUMULÁTORY

Nové výmenné akumulátory dosiahnu svoju maximálnu kapacitu po 4-5 nabitách a vybitiach. Dlhší čas nepoužívané výmenné akumulátory pred použitím dobíť.

Teplota vyššia ako 50°C znižuje výkon výmenného akumulátora. Zabráňte dlhšiemu ohriatiu slnkom alebo kúrením.

Pripájacie kontakty na nabíjacom zariadení a výmennom akumulátore udržiavať čisté.

K zachovaniu optimálnej životnosti se baterie musejí po použití vždy úplne dobíť.

K zabezpečeniu dlhej životnosti by sa akumulátory mali po nabití vybrať z nabíjačky.

Pri skladovaní akumulátora po dobu dlhšiu než 30 dní:

Skladujte akumulátor v suchu pri cca 27°C.

Skladujte akumulátor pri cca 30%-50% nabíjacej kapacity.

Opakujte nabíjanie akumulátora každých 6 mesiacov.

OCHRANA PROTI PREŤAŽENIU AKUMULÁTORA

Pri preťažení akumulátora príliš vysokou spotrebou prúdu, napríklad pri extrémne vysokom krútiacom momente, začne elektrické náradie po dobu 5 sekúnd vibrovať, indikátor dobíjania začne blikať a motor sa následne samočinne vypne.

K opätovnému zapnutiu uvoľnite a následne opäť stlačte tlačidlový vypínač.

Pri extrémnom zaťažení dochádza k príliš vysokému ohrevu akumulátora. V tomto prípade začnú blikať všetky kontrolky indikátora dobíjania a blikať tak dlho, dokiaľ sa akumulátor opäť neochladí.

V okamihu, keď indikátor dobíjania prestane blikať, je možné v práci opäť pokračovať.

ÚDRŽBA

Používať len Milwaukee príslušenstvo a Milwaukee náhradné diely. Súčiastky bez návodu na výmenu treba dať vymeniť v jednom z Milwaukee zákaznických centier (viď brožúru Záruka/Adresy zákaznických centier).

V prípade potreby si môžete v servisnom centre pre zákazníkov alebo priamo od firmy Techtronic Industries GmbH, Max-Eyth-Straße 10, 71364 Winnenden, Nemecko, vyžiadať schematický náčrt jednotlivých dielov prístroja pri uvedení typu prístroja a šesťmiestneho čísla na výkonovom štítku.

SYMBOLY



Pred prvým použitím prístroja si pozorne prečítajte návod na obsluhu.



Pred každou prácou na stroji výmenný akumulátor vytiahnuť.



Elektrické náradie nevyhadzujte do komunálneho odpadu! Podľa európskej smernice 2002/96/ES o nakladaní s použitými elektrickými a elektronickými zariadeniami a zodpovedajúcich ustanovení právnych predpisov jednotlivých krajín sa použité elektrické náradie musí zbierať oddelene od ostatného odpadu a podrobiť ekologicky šetrnej recyklácii.

DANE TECHNICZNE	Akumulatorowa wiertarka / wkrętarka udarowa	M12 BDD	M12 BPD
Numer produkcyjny	4419 01 01... ...000001-999999	4419 16 01... ...000001-999999
Zdolność wiercenia w stali	10 mm	10 mm
Zdolność wiercenia w drewnie	22 mm	22 mm
Zdolność wiercenia w cegła i płytki ceramiczne	10 mm	10 mm
Wkręty do drewna (bez nawiercania wstępnego)	6 mm	6 mm
Prędkość bez obciążenia na pierwszym biegu	0-400 min ⁻¹	0-400 min ⁻¹
Prędkość bez obciążenia na drugim biegu	0-1500 min ⁻¹	0-1500 min ⁻¹
Ilość uderzeń na pierwszym biegu	-	6000 min ⁻¹
Ilość uderzeń na drugi bieg	-	22500 min ⁻¹
Moment obrotowy maks (Akumulator 2,0 Ah) *1	30 Nm	30 Nm
Moment obrotowy maks (Akumulator 4,0 Ah) *1	38 Nm	38 Nm
Napięcie baterii akumulatorowej	12 V	12 V
Zakres otwarcia uchwyty wiertarskiego	1,5-10 mm	1,5-10 mm
Ciężar wg procedury EPTA 01/2003 (2,0 Ah)	1,18 kg	1,24 kg
Ciężar wg procedury EPTA 01/2003 (4,0 Ah)	1,4 kg	1,46 kg

Informacja dotycząca szumów / wibracji

Zmierzone wartości wyznaczono zgodnie z normą EN 60745.

Typowy poziom ciśnienia akustycznego mierzony wg krywej A:

Poziom ciśnienia akustycznego (K = 3 dB(A))	85 dB (A)	85 dB (A)
Poziom mocy akustycznej (K = 3 dB(A))	96 dB (A)	96 dB (A)

Należy używać ochroniaczy uszu!

Wartość łączne drgań (suma wektorowa trzech kierunków) wyznaczone zgodnie z normą EN 60745

Wartość emisji drgań a_w

Wiercenie udarowe w betonie	7,9 m/s ²	
Niepewność K=	1,5 m/s ²	
Wiercenie w metalu	1,5 m/s ²	1,5 m/s ²
Niepewność K=	1,5 m/s ²	1,5 m/s ²
Przykręcanie	0,4 m/s ²	0,4 m/s ²
Niepewność K=	1,5 m/s ²	1,5 m/s ²

*1 Zmierzone zgodnie z normą Milwaukee N 877318

OSTRZEŻENIE

Podany w niniejszych instrukcjach poziom drgań został zmierzony za pomocą metody pomiarowej zgodnej z normą EN 60745 i może być użyty do porównania ze sobą elektronarzędzi. Nadaje się on również do tymczasowej oceny obciążenia wibracyjnego.

Podany poziom drgań reprezentuje główne zastosowania elektronarzędzia. Jeśli jednakże elektronarzędzie użyte zostanie do innych celów z innymi narzędziami roboczymi lub nie jest dostatecznie konserwowane, wtedy poziom drgań może wykazywać odchylenia. Może to wyraźnie zwiększyć obciążenie wibracjami przez cały okres pracy.

Dla dokładnego określenia obciążenia wibracjami należy uwzględnić również czasy, w których urządzenie jest wyłączone względnie jest włączone, lecz w rzeczywistości nie pracuje. Może to spowodować wyraźną redukcję obciążenia wibracyjnego w całym okresie pracy.

Należy wprowadzić dodatkowe środki zapobiegawcze celem ochrony obsługującego przed oddziaływaniem drgań, jak na przykład: konserwacja narzędzi roboczych i elektronarzędzi, nagrzanie rąk, organizacja przebiegu pracy.

⚠ OSTRZEŻENIE! Prosimy o przeczytanie wskazówek bezpieczeństwa i zaleceń, również tych, które zawarte są w załączonej broszurze. Błędy w przestrzeganiu poniższych wskazówek mogą spowodować porażenie prądem, pożar i/lub ciężkie obrażenia ciała. **Należy starannie przechowywać wszystkie przepisy i wskazówki bezpieczeństwa dla dalszego zastosowania.**

INSTRUKCJE DOTYCZĄCE BEZPIECZEŃSTWA WIERTARKA

Stosować środki ochrony słuchu! Narażenie na hałas może spowodować utratę słuchu.

Trzymaj urządzenie za izolowane powierzchnie chwytnie gdy wykonujesz roboty, w trakcie których narzędzie skrawające może natrafić na ukryte przewody prądowe. Styczność narzędzia skrawającego z będącym pod napięciem przewodem może spowodować podłączenie części metalowych urządzenia do napięcia i prowadzić do porażenia prądem elektrycznym.

Trzymaj urządzenie za izolowane powierzchnie chwytnie, gdy wykonujesz roboty, w trakcie których śruba może natrafić na ukryte przewody prądowe. Kontakt śruby z przewodem pod napięciem może spowodować podłączenie części metalowych urządzenia do napięcia i prowadzić do porażenia prądem elektrycznym.

Podczas pracy elektronarzędzia nie wolno usuwać trocin ani drzazg.

Podczas pracy przy ścianach, sufitach i podłodze należy uważać na kable elektryczne, przewody gazowe i wodociągowe.

Przed przystąpieniem do jakichkolwiek prac na elektronarzędziu należy wyjąć wkładkę akumulatorową. Zużytych akumulatorów nie wolno wrzucać do ognia ani traktować jako odpadów domowych. Milwaukee oferuje ekologiczną utylizację zużytych akumulatorów.

Nie przechowywać akumulatorów wraz z przedmiotami metalowymi (niebezpieczeństwo zwarcia).

Akumulatory Systemu M 12 należy ładować wyłącznie przy pomocy ładowarek Systemu M 12. Nie ładować przy pomocy tych ładowarek akumulatorów innych systemów.

W skrajnych warunkach temperaturowych lub przy bardzo dużym obciążeniu może dochodzić do wycieku kwasu akumulatorowego z uszkodzonych baterii akumulatorowych. W przypadku kontaktu z kwasem akumulatorowym należy natychmiast przemyć miejsce kontaktu wodą z mydłem. W przypadku kontaktu z oczami należy dokładnie przepłukiwać oczy przynajmniej przez 10 minut i zwrócić się natychmiast o pomoc medyczną.

WARTOŚCI UŻYTKOWANIA

M12 BDD: Uniwersalna wiertarko-wkrętarka akumulatorowa przeznaczona jest do wiercenia i wkręcania z dala od źródła zasilania sieciowego

M12 BPD: Elektroniczna akumulatorowa wiertarka udarowa/wkrętarka przeznaczona jest do wiercenia, wiercenia udarowego, a także wkręcania przy pracy z dala od źródła zasilania sieciowego.

Produkt można użytkować wyłącznie zgodnie z jego normalnym przeznaczeniem.

DEKLARACJA ZGODNOŚCI CE

Oświadczamy na naszą wyłączną odpowiedzialność, że produkt opisany w punkcie "Dane techniczne" jest zgodny ze wszystkimi istotnymi przepisami Dyrektywy 2011/65/EU (RoHS), 2006/42/WE, 2004/108/WE oraz z następującymi zharmonizowanymi dokumentami normatywnymi:

EN 60745-1:2009 + A11:2010
EN 60745-2-1:2010
EN 60745-2-2:2010
EN 55014-1:2006 + A1:2009 + A2:2011
EN 55014-2:1997 + A1:2001 + A2:2008

Winnenden, 2013-03-12

Alexander Krug



Alexander Krug
Managing Director

Upelnomocniony do zestawienia danych technicznych
Techtronic Industries GmbH
Max-Eyth-Straße 10
71364 Winnenden
Germany

BATERIE AKUMULATOROWE

Nowe baterie akumulatorowe osiągają swoją pełną pojemność po 4 - 5 cyklach ładowania i rozładowywania. Akumulatory, które nie były przez dłuższy czas użytkowane, należy przed użyciem naładować.

W temperaturze powyżej 50°C następuje spadek osiągniętych wkładki akumulatorowej. Unikać długotrwałego wystawienia na oddziaływanie ciepła lub promieni słonecznych (niebezpieczeństwo przegrzania).

Styki ładowarek i wkładek akumulatorowych należy utrzymywać w czystości

W celu zagwarantowania optymalnej żywotności należy po zakończonej eksploatacji naładować akumulatory do pełna.

Dla zapewnienia możliwie długiej żywotności akumulatory należy wyjąć z ładowarki po ich naładowaniu.

W przypadku składowania akumulatorów dłużej aniżeli 30 dni:

Przechowywać je w suchym miejscu w temperaturze ok. 27°C.
Przechowywać je w stanie naładowanym do ok. 30% - 50%.
Ładować je ponownie co 6 miesięcy.

ZABEZPIECZENIE PRZECIĄŻENIOWE AKUMULATORA

W przypadku przeciążenia akumulatora przez bardzo duży pobór prądu, na przykład wskutek ekstremalnie dużych momentów obrotowych, narzędzie ręczne z napędem elektrycznym wibruje przez 5 sekund, miga wskaźnik ładowania i narzędzie samoczynnie wyłącza się.

W celu ponownego włączenia narzędzia należy zwolnić przycisk przełączający, a następnie ponownie go włączyć. Przy ekstremalnych obciążeniach akumulator nagrzewa się za mocno. W takim przypadku wszystkie lampki wskaźnika ładowania migają tak długo, aż akumulator ochłodzi się. Po zgaśnięciu wskaźnika ładowania można kontynuować pracę.

UŻYTKOWANIE I KONSERWACJA

Używać tylko i wyłącznie wyposażenia dodatkowego Milwaukee i części zamiennych Milwaukee. Gdyby trzeba było wymienić części, które nie zostały opisane, należy skontaktować się z przedstawicielem serwisu Milwaukee (patrz wykaz adresów punktów usługowych/gwarancyjnych).

W razie potrzeby można zamówić rysunek urządzenia w rozłożeniu na części podając typ maszyny oraz sześciopozycyjny numer na tabliczce znamionowej w Punkcie Obsługi Klienta lub bezpośrednio w firmie Techtronic Industries GmbH, Max-Eyth-Straße 10, 71364 Winnenden, Germany.

SYMBOLY



Przed uruchomieniem elektronarzędzia zapoznać się uważnie z treścią instrukcji.



Przed przystąpieniem do jakichkolwiek prac na elektronarzędziu należy wyjąć wkładkę akumulatorową.



Nie wyrzucaj elektronarzędzi wraz z odpadami z gospodarstwa domowego! Zgodnie z Europejską Dyrektywą 2002/96/WE w sprawie zużytego sprzętu elektrotechnicznego i elektronicznego oraz dostosowaniem jej do prawa krajowego, zużyte elektronarzędzia należy posegregować i zutylizować w sposób przyjazny dla środowiska.

MŰSZAKI ADATOK	Akkumulátoros fűró-/csavarozógép	M12 BDD	M12 BPD
Gyártási szám.....	4419 01 01.....	4419 16 01.....	
	...000001-999999	...000001-999999	
Furat- \emptyset acélba	10 mm	10 mm	
Furat- \emptyset fába	22 mm	22 mm	
Furat- \emptyset téglába és mészkőbe	10 mm	10 mm	
Facsavar (előfűrés nélkül)	6 mm	6 mm	
Üresjárat fordulatszám 1. sebességben	0-400 min ⁻¹	0-400 min ⁻¹	
Üresjárat fordulatszám 2. Fokozatban	0-1500 min ⁻¹	0-1500 min ⁻¹	
Ütésszám 1. sebességben	6000 min ⁻¹	6000 min ⁻¹	
Ütésszám 2. sebességben	22500 min ⁻¹	22500 min ⁻¹	
Forgatónyomaték max (Akkumulátor 2,0 Ah) *1	30 Nm	30 Nm	
Forgatónyomaték max (Akkumulátor 4,0 Ah) *1	38 Nm	38 Nm	
Akkumulátor feszültség	12 V	12 V	
Befogási tartomány	1,5-10 mm	1,5-10 mm	
Súly a 01/2003 EPTA-eljárás szerint. (2,0 Ah)	1,18 kg	1,24 kg	
Súly a 01/2003 EPTA-eljárás szerint. (4,0 Ah)	1,4 kg	1,46 kg	

Zaj-/Vibráció-információ

A közölt értékek megfelelnek az EN 60 745 szabványnak.

Szabvány szerinti A-értékelésű hangszint:

Hangnyomás szint (K=3 dB(A))	85 dB (A)	85 dB (A)
Hangteljesítmény szint (K=3 dB(A))	96 dB (A)	96 dB (A)

Hallásvédő eszköz használata ajánlott!

Összesített rezgésértékek (három irány vektoriális összege) az EN 60745-nek megfelelően meghatározva.

a rezgésemisszió érték

Utvefűrés betonban	7,9 m/s ²	
K bizonytalanság =	1,5 m/s ²	
Fűrés fémbe	1,5 m/s ²	
K bizonytalanság =	1,5 m/s ²	
Csavarozás	0,4 m/s ²	
K bizonytalanság =	1,5 m/s ²	

*1 Az Milwaukee N 877318 szabvány szerint mérve

FIGYELMEZTETÉS

A jelen utasításokban megadott rezgésszint értéke az EN 60745-ben szabályozott mérési eljárásnak megfelelően került leírásra, és használható elektromos szerszámokkal történő összehasonlításhoz. Az érték alkalmas a rezgésterhelés előzetes megbecslésére is.

A megadott rezgésszint-érték az elektromos szerszám legfőbb alkalmazásait reprezentálja. Ha az elektromos szerszámot azonban más alkalmazásokhoz, eltérő használt szerszámokkal vagy nem elegendő karbantartással használják, a rezgésszint értéke eltérő lehet. Ez jelentősen megnövelheti a rezgésterhelést a munkavégzés teljes időtartama alatt.

A rezgésterhelés pontos megbecsléséhez azokat az időket is figyelembe kell venni, melyekben a készülék lekapcsolódik, vagy ugyan működik, azonban ténylegesen nincs használatban. Ez jelentősen csökkentheti a rezgésterhelést a munkavégzés teljes időtartama alatt.

Határozzon meg további biztonsági intézkedéseket a kezelő védelmére a rezgések hatása ellen, például: az elektromos és a használt szerszámok karbantartásával, a kezek melegen tartásával, a munkafolyamatok megszervezésével.

⚠ FIGYELMEZTETÉS! Olvasson el minden biztonsági útmutatót és utasítást, a mellékelt brosúrában találhatóakat is. A következőkben leírt előírások betartásának elmulasztása áramütésekhez, tűzhöz és/vagy súlyos testi sérülésekhez vezethet. **Kérjük a későbbi használatra gondosan őrizze meg ezeket az előírásokat.**

KÜLÖNLEGES BIZTONSÁGI TUDNIVALÓK FŰRÖGÉP

Viseljen hallásvédőt. A zajhatás a hallás elvesztését eredményezheti.

A készüléket a szigetelt markolatfelületeket fogva tartsa, ha olyan munkálatokat végez, melyeknél a vágószerszám rejtett elektromos vezetékbe. A vágószerszám feszültségvezető vezetékkel való érintkezésekor a készülék fém részei is feszültség alá kerülhetnek, és elektromos áramütés következhet be.

Olyan munkák végzésekor, melyeknél a csavar rejtett áramvezetéseket érhet, a szigetelt markolati felületeknél tartsa a készüléket. A csavar feszültségvezető vezetékkel érintkezve fém alkatrészeket helyezhet feszültség alá, és elektromos áramütést idézhet elő.

A munka közben keletkezett forgácsokat, szilánkokat, törmelékét, stb. csak a készülék teljes leállása után szabad a munkaterületről eltávolítani.

Falban, földbe, aljzatban történő fűrésznél fokozottan ügyelni kell az elektromos-, víz- és gázvezetésekre.

Karbantartás, javítás, tisztítás, stb. előtt az akkumulátort ki kell venni a készülékből.

A használt akkumulátort ne dobja tűzbe vagy a háztartási szemétkébe. Tájékoztadjon a szakszerű megsemmisítés helyi lehetőségeiről.

Az akkumulátort ne tárolja együtt fém tárgyakkal. (Rövidzárlat veszélye).

Az "M 12" elnevezésű rendszerhez tartozó akkumulátorokat kizárólag a rendszerhez tartozó töltővel tölts fel. Ne használjon más rendszerbe tartozó töltőt.

Akkumulátor sav folyhat a sérült akkumulátorból extrém terhelés alatt, vagy extrém hő miatt. Ha az akkumulátor sav a bőrére kerül azonnal mossa meg szappanos vízzel. Szembe kerülés esetén folyóvíz alatt tartsa a szemét minimum 10 percig és azonnal forduljon orvoshoz.

RENDELÉSTÉSZERŰ HASZNÁLAT

M12 BDD: Az akkumulátoros fűró-csavarozó készülék általában használható fűréshez és csavarozáshoz

M12 BPD: Az akkumulátoros, elektronikus utvefűró-csavarozó hálózattól függetlenül általában használható fűréshez, utvefűréshez és csavarozáshoz.

A készüléket kizárólag az alábbiakban leírtaknak megfelelően szabad használni.

CE-AZONOSSÁGI NYILATKOZAT

Egyedüli felelősséggel kijelentjük, hogy a "Műszaki Adatok" alatt leírt termék a 2011/65/EU (RoHS), 2006/42/EK, 2004/108/EK irányelvek minden releváns előírásának, ill. az alábbi harmonizált normatív dokumentumoknak megfelel:

EN 60745-1:2009 + A11:2010
EN 60745-2-1:2010
EN 60745-2-2:2010
EN 55014-1:2006 + A1:2009 + A2:2011
EN 55014-2:1997 + A1:2001 + A2:2008

Winnenden, 2013-03-12

Alexander Krug

Alexander Krug
Managing Director



Műszaki dokumentáció összeállításra felhatalmazva

Techtronic Industries GmbH

Max-Eyth-Straße 10

71364 Winnenden

Germany

AKKUK

Új akkumulátor a teljes kapacitást 4-5 töltési/lemerülési ciklus után éri el. A hosszabb ideig üzemben kívül lévő akkumulátort használat előtt ismételtel fel kell tölteni.

50°C feletti hőmérsékletnél csökkenhet az akkumulátor teljesítménye. Kerülni kell a túlzottan meleg helyen vagy napon történő hosszabb idejű tárolást.

A töltő és az akkumulátor csatlakozóit mindig tisztán kell tartani.

Az optimális élettartam érdekében használat után az akkukat teljesen fel kell tölteni.

A lehetőleg hosszú élettartamhoz az akkukat feltöltés után ki kell venni a töltőkészülékből.

Az akku 30 napot meghaladó tárolása esetén:

Az akkut kb. 27 °C-on, száraz helyen kell tárolni.

Az akkut kb. 30-50%-os töltöttségi állapotban kell tárolni.

Az akkut 6 havonta újra fel kell tölteni.

AZ AKKUMULÁTOR TŰLTERHELÉS ELLENI VÉDELME

Az akku túl magas áramfogyasztás miatti, pl. túl nagy az akku nagyon nagy áramfelhasználása következtében fellépő túlterhelése esetén - pl. rendkívül magas forgatónyomatékok, a fűró megszorulása, hirtelen leállítás vagy rövidzárlat miatt - az elektromos szerszám 5 másodpercen keresztül vibrál, a töltéskijelző villog és az elektromos szerszám magától kikapcsol.

Az újbóli bekapcsoláshoz engedje el a nyomókapcsolót, majd kapcsolja be ismét. Rendkívüli terheléseknél az akku túlságosan felmelegszik. Ebben az esetben a töltéskijelző minden lámpája addig villog, amíg az akku le nem hűl. Ha a töltéskijelző kialszik, utána tovább lehet dolgozni.

KARBANTARTÁS

Csak Milwaukee tartozékokat és Milwaukee pótalkatrészeket szabad használni. Az olyan elemeket, melyek cseréje nincs ismertette, cseréltesse ki Milwaukee szervizzel (lásd Garancia/Ügyfélszolgálat címei kiadványt).

Igény esetén a készülékről robbantott rajz kérhető a géptípus és a teljesítménycímeként található hatjegyű szám megadásával az Ön vevőszolgálatánál, vagy közvetlenül a Techtronic Industries GmbH-től a Max-Eyth-Straße 10, 71364 Winnenden, Németország címen.

SZIMBÓLUMOK



Kérjük alaposan olvassa el a tájékoztatót mielőtt a gépet használja.



Karbantartás, javítás, tisztítás, stb. előtt az akkumulátort ki kell venni a készülékből.



Az elektromos kéziszerszámokat ne dobja a háztartási szemétkébe! A használt villamos és elektronikai készülékekről szóló 2002/96/EK irányelv és annak a nemzeti jogba való átültetése szerint az elhasznált elektromos kéziszerszámokat külön kell gyűjteni, és környezetbarát módon újra kell hasznosítani.

Proizvodna številka.....	4419 01 01.....	4419 16 01.....
	..000001-999999	..000001-999999
Vrtnali \emptyset v jeklu	10 mm	10 mm
Vrtnali \emptyset v lesu	22 mm	22 mm
Vrtnali \emptyset v opeki in apnenem peščencu	10 mm	10 mm
Lesni vijaki (brez predhodnega vrtnja)	6 mm	6 mm
Število vrtljajev v prostem teku v 1. prestavi.....	0-400 min ⁻¹	0-400 min ⁻¹
Število vrtljajev v prostem teku v 2. prestavi.....	0-1500 min ⁻¹	0-1500 min ⁻¹
Število udarcev v 1. prestavi.....	-	6000 min ⁻¹
Število udarcev v 2. prestavi.....	-	22500 min ⁻¹
Vrtilni moment maks (Baterije 2,0 Ah) *1	30 Nm	30 Nm
Vrtilni moment maks (Baterije 4,0 Ah) *1	38 Nm	38 Nm
Napetost izmenljivega akumulatorja	12 V	12 V
Napenjalno področje vpenjalne glave.....	1,5-10 mm	1,5-10 mm
Teža po EPTA-proceduri 01/2003 (2,0 Ah).....	1,18 kg	1,24 kg
Teža po EPTA-proceduri 01/2003 (4,0 Ah).....	1,4 kg	1,46 kg

Informacije o hrupnosti/vibracijah

Vrednosti merjenja ugotovljene ustrezno z EN 60 745.

A ocenjeni nivo zvočnega tlaka znaša tipično

Nivo zvočnega tlaka (K=3 dB(A)).....	85 dB (A)	85 dB (A)
Višina zvočnega tlaka (K=3 dB(A)).....	96 dB (A)	96 dB (A)

Nosite zaščito za sluh!

Skupna vibracijska vrednost (Vektorska vsota treh smeri) določena ustrezno EN 60745.

Vibracijska vrednost emisij a_h

Udarno vrtnje v beton	7,9 m/s ²
Nevarnost K=.....	1,5 m/s ²
Vrtnje v kovine	1,5 m/s ²	1,5 m/s ²
Nevarnost K=.....	1,5 m/s ²	1,5 m/s ²
Vijačenje	0,4 m/s ²	0,4 m/s ²
Nevarnost K=.....	1,5 m/s ²	1,5 m/s ²

*1 Izmerjeno po Milwaukee normi N 877318

OPOZORILO

V teh navodilih navedena raven treslajev je bila izmerjena po EN60745 normiranem merilnem postopku in lahko služi medsebojni primerjavi električnih orodij. Prav tako je primeren za predhodno oceno obremenitve s treslaji.

Navedena raven treslajev navaja najpomembnejše vrste rabe električnega orodja. Kadar se električno orodje uporablja za drugačne namene, z odstopajočimi orodji ali pa z nezadostnim vzdrževanjem, lahko raven treslajev tudi odstopa. Le to lahko čez celoten delovni čas znatno zviša obremenitev s tresenjem.

Za natančno oceno obremenitve s treslaji naj bi se upošteval tudi čas v katerem je naprava izklopljena ali sicer teče, vendar dejansko ni v rabi. Le to lahko obremenitev s treslaji čez celoten delovni čas znatno zmanjša.

Za zaščito upravljalca pred učinkom treslajev uvedite dodatne zaščitne ukrepe npr.: Vzdrževanje električnega orodja in orodja, delo s toplimi rokami, organizacija delovnih potekov.

⚠ OPOZORILO! Preberite vsa varnostna opozorila in navodila, tudi tista v priloženi brošuri. Napake zaradi neupoštevanja spodaj navedenih opozoril in napotil lahko povzročijo električni udar, požar in/ali težke telesne poškodbe.

Vsa opozorila in napotila shranite, ker jih boste v prihodnje še potrebovali.

VARNOSTNI NAPOTKI ROTACIJSKI VRTALNIKI

Nosite zaščito za sluh. Razvijanje hrupa lahko povzroči izgubo sluha.

Kadar izvajate dela pri katerih lahko orodje zadane prikrilo električno napeljavno, je napravo potrebno držati za izolirane prijemalne površine. Stik rezalnega orodja z napetostnim vodnikom napeljave lahko privede kovinske dele naprave pod napetost in vodi do električnega udara.

Kadar izvajate dela pri katerih lahko sveder zadane v prikrite električne vode, držite napravo za izolirane prijemalne površine. Stik svedra z električnim vodnikom lahko kovinske deli naprave spravi pod napetost in vodi do električnega udara.

Trske ali iveri se pri tekočem stroju ne smejo odstranjevati.

Pri delih na steni, stropu ali v tleh pazite na električne kable, plinske in vodne napeljave.

Pred deli na stroju izvlecite izmenljivi akumulator.

Izrabljenih izmenljivih akumulatorjev ne mečite v ogenj ali v gospodinjske odpadke. Milwaukee nudi okolju prijazno odlaganje starih izmenljivih akumulatorjev; prosimo povprašajte vašega strokovnega trgovca.

Izmenljivih akumulatorjev ne hranite skupaj s kovinskimi predmeti (nevarnost kratkega stika).

Izmenljive akumulatorje sistema M 12 polnite samo s polnilnimi aparati sistema M 12. Ne polnite nobenih akumulatorjev iz drugih sistemov.

Pod ekstremno obremenitvijo ali ob ekstremni temperaturi iz poškodovanega izmenljivega akumulatorja lahko izteka akumulatorska tekočina. Po stiku z akumulatorsko tekočino prizadeto mesto takoj izperite z vodo in milom. Po stiku z očmi takoj najmanj 10 minut dolgo temeljito izpirajte in nemudoma obiščite zdravnika.

M12 BDD: Akumulatorski vrtnalnik – izvijač je univerzalno uporaben za vrtnje in vijačenje neodvisno od omrežnega priključka

M12 BPD: Akumulatorski elektronski vrtnalnik – izvijač je univerzalno uporaben za vrtnje, udarno vrtnje in vijačenje neodvisno od omrežnega priključka.

Ta naprava se sme uporabiti samo v skladu z namenbostjo uporabi samo za navede namene.

CE-IZJAVA O KONFORMNOSTI

V lastni odgovornosti izjavljamo, da se pod "Tehnični podatki" opisan proizvod ujema z vsemi relevantnimi predpisi smernice 2011/65/EU (RoHS), 2006/42/ES, 2004/108/ES in s sledečimi harmoniziranimi normativnimi dokumenti:

- EN 60745-1:2009 + A11:2010
- EN 60745-2-1:2010
- EN 60745-2-2:2010
- EN 55014-1:2006 + A1:2009 + A2:2011
- EN 55014-2:1997 + A1:2001 + A2:2008

Winnenden, 2013-03-12

Alexander Krug

Alexander Krug
Managing Director



Pooblaščen za izdelavo spisov tehnične dokumentacije.

Techtronic Industries GmbH
Max-Eyth-Straße 10
71364 Winnenden
Germany

AKUMULATORJI

Novi izmenljivi akumulatorji dosežejo svojo polno kapaciteto po 4 – 5 ciklih polnjenja in praznjenja. Izmenljive akumulatorje, ki jih daljši čas niste uporabljali, pred uporabo naknadno napolnite.

Temperatura nad 50°C zmanjšuje zmogljivost izmenljivega akumulatorja. Izogibajte se daljšemu segrevanju zaradi sončnih žarkov ali grelja.

Pazite, da ostanejo priključni kontakti na polnilnem aparatu in izmenljivem akumulatorju čisti.

Za optimalno življenjsko dobo je akumulatorje potrebno po uporabi napolniti do konca.

Za čim daljšo življenjsko dobo naj se akumulatorji po napolnitvi vzamejo ven iz naprave za polnjenje.

Pri skladiščenju akumulatorjev dalj kot 30 dni:

Akumulator skladiščiti pri 27°C in na suhem.

Akumulator skladiščiti pri 30%-50% stanja polnjenja.

Akumulator spet napolniti vsakih 6 mesecev.

ZAŠČITA PREOBREMENITVE AKUMULATORJA

V primeru preobremenitve akumulatorjev zaradi zelo visoke V primeru preobremenitve akumulatorja zaradi visoke porabe toka, npr. ekstremno visokih vrtilnih momentov, nenadne zaustavitve ali kratkega stika, električno orodje 5 sekund vibrira, prikazovalnik polnjenja utripa, električno orodje pa se samodejno izklopi.

Za ponoven vklop izpusite pritisno stikalo in nato znova vklopite.

Pod ekstremnimi obremenitvami se akumulator premočno segreva. V tem primeru utripajo vse lučke prikazovalnika polnjenja dokler se akumulator ne ohladi. Za tem, ko prikazovalnik polnjenja ugasne lahko z delom nadaljujemo.

Uporabljajte samo Milwaukee pribor in Milwaukee nadomestne dele. Poskrbite, da sestavne dele, katerih zamenjava ni opisana, zamenjajo v Milwaukee servisni službi (upoštevajte brošuro Garancija/Naslovi servisnih služb).

Po potrebi je mogoče pri vašem servisnem mestu ali neposredno pri Techtronic Industries GmbH, Max-Eyth-Straße 10, 71364 Winnenden, Germany, naročiti eksplozijsko risbo naprave ob navedbi tipa stroja in na tablici navedene šestmestne številke.

SIMBOLI



Prosimo, da pred uporabo pazorno preberete to navodilo za uporabo.



Pred vsemi deli na stroji odstranite izmenljivi akumulator.



Električnega orodja ne odstranjujte s hišnimi odpadki! V skladu z Evropsko direktivo 2002/96/EC o odpadni elektrici in elektronski opremi in z njenim izvajanjem v nacionalni zakonodaji je treba električna orodja ob koncu njihove življenjske dobe ločno zbirati in jih predati v postopek okolju prijaznega recikliranja.

TEHNIČKI PODACI	Akumulatorska udarna bušilica	M12 BDD	M12 BPD
Broj proizvodnje.....	4419 01 01.....	4419 16 01.....	
	...000001-999999	...000001-999999	
Bušenje- \varnothing u čelik.....	10 mm	10 mm	
Bušenje- \varnothing u drvo.....	22 mm	22 mm	
Bušenje- \varnothing u opeku i silikatnu opeku.....	10 mm	10 mm	
Vijci za drvo (bez predbušenja).....	6 mm	6 mm	
Broj okretaja praznog hoda u 1. Brzini.....	0-400 min ⁻¹	0-400 min ⁻¹	
Broj okretaja praznog hoda u 2. Brzini.....	0-1500 min ⁻¹	0-1500 min ⁻¹	
Broj udaraca u 1. Brzini.....	6000 min ⁻¹	6000 min ⁻¹	
Broj udaraca u 2. Brzini.....	22500 min ⁻¹	22500 min ⁻¹	
Okretni moment maks (Li-Ion Akumulator 2,0 Ah) *1.....	30 Nm	30 Nm	
Okretni moment maks (Li-Ion Akumulator 4,0 Ah) *1.....	38 Nm	38 Nm	
Napon baterije za zamjenu.....	12 V	12 V	
Područje stezne glave za stezanje svrdla.....	1,5-10 mm	1,5-10 mm	
Težina po EPTA-proceduri 01/2003 (2,0 Ah).....	1,18 kg	1,24 kg	
Težina po EPTA-proceduri 01/2003 (4,0 Ah).....	1,4 kg	1,46 kg	

Informacije o buci/vibracijama

Mjerne vrijednosti utvrđene odgovarajuće EN 60 745.

A-procjenjeni nivo pritiska zvuka aparata iznosi tipično

nivo pritiska zvuka (K = 3 dB(A)).....	85 dB (A)	85 dB (A)
nivo učinka zvuka (K = 3 dB(A)).....	96 dB (A)	96 dB (A)

Nositi zaštitu sluha!

Ukupne vrijednosti vibracije (Vektor suma tri smjera) su odmjerene odgovarajuće EN 60745

Vrijednost emisije vibracije a_h

Udarno bušenje u betonu.....	7,9 m/s ²	
Nesigurnost K=.....	1,5 m/s ²	
Bušenje metala.....	1,5 m/s ²	
Nesigurnost K=.....	1,5 m/s ²	
Vijčanje.....	0,4 m/s ²	
Nesigurnost K=.....	1,5 m/s ²	

*1 Mjereno po Milwaukee normi N 877318

UPOZORENIE

Ova u ovim uputama navedena razina titranja je bila izmjerena odgovarajuće jednom u EN 60745 normiranom mjernom postupku i može se upotrijebiti za usporedbu električnog alata međusobno. Ona je prikladna i za privremenu procjenu titrajnog opterećenja.

Navedena razina titranja reprezentira glavne primjene električnog alata. Ukoliko se električni alat upotrebljava u druge svrhe sa odstupajućim primijenjenim alatima ili nedovoljnim održavanjem, onda razina titranja može odstupati. To može titrajno opterećenje kroz cijeli period rada bitno povisiti.

Za točnu procjenu titrajnog opterećenja se moraju uzeti u obzir i vremena u kojima je uređaj isključen ili u kojima doduše radi, ali nije i stvarno u upotrebi. To može titrajno opterećenje bitno smanjiti za vrijeme cijelog radnog perioda.

Utvrđite dodatne sigurnosne mjere za zaštitu poslužioca protiv djelovanja titranja kao npr.: Održavanje električnih alata i upotrebljenih alata, održavanje topline ruku, organizacija i radne postupke.

⚠ UPOZORENIE! Pročitajte sigurnosne upute i uputnice, isto i one iz priložene brošure. Ako se ne bi poštivala napomene o sigurnosti i upute to bi moglo uzrokovati strujni udar, požar i/ili teške ozljede. **Sačuvajte sve napomene o sigurnosti i upute za buduću primjenu.**

SIGURNOSNE UPUTE BUŠILICA

Nosite zaštitu za sluh. Djelovanje buke može dovesti do gubitka sluha.

Držite spravu na izoliranim držačkim površinama kada izvodite radove kod kojih rezački alat može pogoditi skrivene vodove struje. Kontakt rezačkog alata sa vodovima koji sprovode napon može metalne dijelove sprave dovesti pod napon i tako dovesti do električnog udara.

Držite spravu na izoliranim držačkim površinama kada izvodite radove kod kojih rezački alat može pogoditi skrivene vodove struje. Kontakt rezačkog alata sa vodovima koji sprovode napon može metalne dijelove sprave dovesti pod napon i tako dovesti do električnog udara.

Piljevina ili ieverje se za vrijeme rada stroja ne smiju odstranjivati.

Kod radova na zidu, stropu ili podu paziti na električne kablove kao i vodove plina i vode.

Prije svih radova na stroju izvaditi bateriju za zamjenu.

Istrošene baterije za zamjenu ne bacati u vatru ili u kućno smeće. Milwaukee nudi mogućnost uklanjanja starih baterija odgovarajuće okolini. Milwaukee nudi mogućnost uklanjanja starih baterija odgovarajuće okolini; upitajte molimo Vašeg stručnog trgovca.

Baterije za zamjenu ne čuvati skupa sa metalnim predmetima (opasnost od kratkog spoja).

Baterije sistema M 12 puniti samo sa uređajem za punjenje sistema M 12. Ne puniti baterije iz drugih sistema.

Pod ekstremnim opterećenjem ili ekstremne temperature može iz oštećenih baterija iscuriti baterijska tekućina. Kod dodira sa baterijskom tekućinom odmah isprati sa vodom i sapunom. Kod kontakta sa očima odmah najmanje 10 minuta temeljno ispirati i odmah potražiti liječnika.

PROPIJETA UPOTREBA

M12 BDD: Baterijska bušilica-zavrtač je univerzalno upotrebljiva za bušenje i zavrtnje, neovisno o priključku na mrežu

M12 BPD: Baterijska elektronska udarna bušilica-zavrtač su upotrebljivi univerzalno za bušenje, udarno bušenje i zavrtnje, neovisno o nekom priključku na mrežu.

Ovaj aparat se smije upotrijebiti samo u određene svrhe kao što je navedeno.

CE-IZJAVA KONFORMNOSTI

Izjavljujemo na osobnu odgovornost, da je proizvod opisan pod "Tehnički podaci", sukladan sa svim relevantnim propisima smjernice 2011/65/EU (RoHS), 2006/42/EC, 2004/108/EC i sa sljedećim harmoniziranim normativnim dokumentima:

EN 60745-1:2009 + A11:2010
EN 60745-2-1:2010
EN 60745-2-2:2010
EN 55014-1:2006 + A1:2009 + A2:2011
EN 55014-2:1997 + A1:2001 + A2:2008

Winnenden, 2013-03-12

Alexander Krug

Alexander Krug
Managing Director



Ovlašten za formiranje tehničke dokumentacije.

Techtronic Industries GmbH
Max-Eyth-Straße 10
71364 Winnenden
Germany

BATERIJE

Nove baterije postižu svoj puni kapacitet nakon 4-5 ciklusa punjenja i pražnjenja. Baterije koje duže vremena nisu korištene, prije upotrebe napuniti.

Temperatura od preko 50°C smanjuje učinak baterija. Duže zagrijavanje od strane sunca ili grijanja izbjeći.

Priključne kontakte na uređaju za punjenje i baterijama držati čistima.

Za optimalni vijek trajanja se akumulatori poslije upotrebe moraju sasvim napuniti.

Za što moguće duži vijek trajanja, akumulatori se nakon punjenja moraju odstraniti iz punjača.

Kod skladištenja akumulatora duže od 30 dana: Akumulator skladištiti na suhom kod ca. 27°C. Akumulator skladištiti kod ca. 30%-50% stanja punjenja. Akumulator ponovno napuniti svakih 6 mjeseci.

ZAŠTITA OD PREOPTEREĆENJA AKUMULATORA

Kod preopterećenja akumulatora kroz vrlo visoku potrošnju struje, npr. ekstremno visoki zakretni momenti, električni alat vibrira za vrijeme od 5 sekundi, pokazivač punjenja treperi i električni alat se samostalno isključ. Za ponovno uključivanje ispuštiti okidač sklopke i zatim ponovno uključiti. Pod ekstremnim opterećenjima se akumulator prejako zagrije. U tome slučaju trepere sve lampice pokazivača punjenja, sve dok se akumulator ne ohladi. Poslije gašenja pokazivača punjenja se može nastaviti sa radom.

ODRŽAVANJE

Primijeniti samo Milwaukee opremu i Milwaukee rezervne dijelove. Sastavne dijelove, čija zamjena nije opisana, dati zamijeniti kod jedne od Milwaukee servisnih službi (poštivati brošuru Garancija/Adrese servisa).

Po potrebi se crtež pojedinih dijelova aparata uz navođenje podatka o tipu stroja i šestznamenastog broja na pločici snage može zatražiti kod vašeg servisa ili direktno kod

Techtronic Industries GmbH, Max-Eyth-Straße 10,
71364 Winnenden, Njemačka.

SIMBOLI



Molimo da pažljivo pročitate uputu o upotrebi prije puštanja u rad.



Prije svih radova na stroju izvaditi bateriju za zamjenu.



Električne alate ne odlažite u kućne otpatke! Prema Europskoj direktivi 2002/96/EC o starim električnim i elektroničkim strojevima i preuzimanju u nacionalno pravo moraju se istrošeni električni alati sakupljati odvojeno i odvesti u pogon za reciklažu.

TEHNISKEISI DATI	Akumulatori sīmānā urbis	M12 BDD	M12 BPD
Izlaides numurs	4419 01 01...	4419 16 01...	4419 16 01...
	...000001-999999	...000001-999999	...000001-999999
Urbšanas diametrs tēraudā	10 mm	10 mm	10 mm
Urbšanas diametrs kokā	22 mm	22 mm	22 mm
Urbšanas diametrs ķieģeļos un kaļķsmilšakmenī	6 mm	6 mm	10 mm
Koka skrūves (bez iepriekšējas urbšanas)	0-400 min ⁻¹	0-400 min ⁻¹	0-400 min ⁻¹
Apgrīzieni tukšgaitā 1. ātrumā	0-1500 min ⁻¹	0-1500 min ⁻¹	0-1500 min ⁻¹
Apgrīzieni tukšgaitā 2. ātrumā	6000 min ⁻¹	6000 min ⁻¹	6000 min ⁻¹
Sitienu skaits 1. ātrumā	22500 min ⁻¹	22500 min ⁻¹	22500 min ⁻¹
Sitienu skaits 2. ātrumā	30 Nm	30 Nm	30 Nm
Griezes moments maks (Li-Ion Baterija 2,0 Ah) *1	38 Nm	38 Nm	38 Nm
Griezes moments maks (Li-Ion Baterija 4,0 Ah) *1	12 V	12 V	12 V
Akumulatora spriegums	1,5-10 mm	1,5-10 mm	1,5-10 mm
Urbja stiprinājuma amplitūda	1,18 kg	1,18 kg	1,24 kg
Svars atbilstoši EPTA -Procedure 01/2003 (2,0 Ah)	1,4 kg	1,4 kg	1,46 kg
Svars atbilstoši EPTA -Procedure 01/2003 (4,0 Ah)			

Trokšņu un vibrāciju informācija

Vērtības, kas noteiktas saskaņā ar EN 60 745.

Instrumenta tipiskais pēc A vērtētais trokšņa spiediena līmenis parasti sastāda

trokšņa spiediena līmenis (K = 3 dB(A))	85 dB (A)	85 dB (A)
trokšņa jaudas līmenis (K = 3 dB(A))	96 dB (A)	96 dB (A)

Nēsāt trokšņa slāpētāju!

Svārstību kopējā vērtība (Trīs virzienu vektoru summa) tiek noteikta atbilstoši EN 60745.

svārstību emisijas vērtība a_h

Betona elektriskais urbis	7,9 m/s ²
Nedrošība K=	1,5 m/s ²
Metāla urbis	1,5 m/s ²
Nedrošība K=	1,5 m/s ²
Skrūvēšana	0,4 m/s ²
Nedrošība K=	1,5 m/s ²

*1 Mērīts saskaņā ar firmas Milwaukee normu N 877318

UZMANĪBU

Instrukcijā norādītā svārstību robežvērtība ir izmērīta mērījumu procesā, kas veikts atbilstoši standartam EN 60745, un to var izmantot elektroinstrumentu savstarpējai salīdzināšanai. Tā ir piemērota arī svārstību noslogojuma pagaidu izvērtēšanai.

Norādītā svārstību robežvērtība ir reprezentatīva elektroinstrumenta pamata pielietojuma jomām. Tomēr, ja elektroinstrumenti tiek pielietoti citās jomās, papildus izmantojot neatbilstošus elektroinstrumentus vai pēc nepietiekamas tehniskās apkopes, tad svārstību robežvērtība var atšķirties. Tas var ievērojami palielināt svārstību noslogojumu visa darba laikā.

Precīzai svārstību noslogojuma noteikšanai, ir jāņem vērā arī laiks, kad ierīces ir izslēgtas vai arī ir ieslēgtas, tomēr faktiski netiek lietota. Tas var ievērojami samazināt svārstību noslogojumu visa darba laikā.

Integrējiet papildus drošības pasākumus pret svārstību ietekmi lietotājam, piemēram: elektroinstrumentu un darba instrumentu tehniskā apkope, roku siltuma uzturēšana, darba procesu organizācija.

⚠ UZMANĪBU! Izlasiet visu drošības instrukciju un lietošanas pamācību klāt pievienotajā bukletā. Šeit sniegto drošības noteikumu un norādījumu neievērošana var izraisīt aizdegšanos un būt par cēloni elektriskajam triecienam vai nopietnam savainojumam.
Pēc izlasīšanas uzglabājiet šos noteikumus turpmākai izmantošanai.

DROŠĪBAS NOTEIKUMI ROTĒJOŠAIS URBIS

Nēsājiet ausu aizsargus. Trokšņa iedarbības rezultātā var rasties dzirdes traucējumi.

Leģīti turiet aiz izolētiem rokturiem, ja veicat darbus, kuros griešanas darbiem izmantojamais instruments var skart paslēptus elektrovadus. Šī instrumenta saskare ar strāvu vadošiem kabeļiem var radīt spriegumu arī ierīces metālistiskajās daļās un var izraisīt elektrisko triecienu.

Turiet ierīci aiz izolētajām turēšanas virsmām, veicot darbus, kur skrūve var skart apslēptus elektrības vadus. Skrūves kontakts ar spriegumu vadošu vadu var ierīces metāla daļās uzlādēt un novest pie elektriskās strāvas trieciena.

Skaidas un atlūzas nedrīkst ņemt ārā, kamēr mašina darbojas.

Veicot darbus sienu, griestu un grīdas apvidū, vajag uzmanīties, lai nesabojātu elektriskos, gāzes un ūdens vadus.

Pirms mašīnai veikt jebkāda veida apkopes darbus, ir jāizņem ārā akumulātors.

Izmantotos akumulārus nedrīkst mest ugunī vai parastajos atkritumos. Firma Milwaukee piedāvā iespēju vecos akumulātorus savākt apkārtējo vidi saudzējošā veidā; jautājiet specializētā veikalā.

Akumulātorus nav ieteicams glabāt kopā ar metāla priekšmetiem (iespējams īsslēgums).

M 12 sistēmas akumulātorus lādēt tikai ar M 12 sistēmas lādētājiem. Nedrīkst lādēt citus akumulātorus no citām sistēmām.

Pie ārkārtas slodzes un ārkārtas temperatūrām no bojātā akumulātorā var izteciēt akumulātorā šķidrums. Ja nonākt saskarsmē ar akumulātorā šķidrums, saskarsmes vieta nekavējoties jānomazgā ar ūdeni un ziepēm. Ja šķidrums nonācis acīs, ācis vismaz 10 min. skalot un nekavējoties konsultēties ar ārstu.

NOTEIKUMI IZMANTOJAMAM AKUMULĀTORAM

M12 BDD: Skrūvgriezis - Urbjmašīna ar akumulātoriem ir universāli izmantojama urbšanai un skrūvēšanai neatkarīgi no tīkla pieslēguma

M12 BPD: Elektroniskā triecienuurbjmašīna ar akumulātoriem ir universāli izmantojama urbšanai, urbšanai ar perforāciju un skrūvēšanai neatkarīgi no tīkla pieslēguma.

Šo instrumentu drīkst izmantot tikai saskaņā ar minētajiem lietošanas noteikumiem.

ATBILSTĪBA CE NORMATĪVAM

Mēs apliecinām, ka produkts, kura tehniskie parametri aprakstīti "tehnisko datu lapā", pilnībā atbilst prasībām saskaņā ar direktīvām 2011/65/EU (RoHS), 2006/42/EK, 2004/108/EK un attiecīgajiem harmonizētajiem normatīvajiem dokumentiem:

EN 60745-1:2009 + A11:2010
EN 60745-2-1:2010
EN 60745-2-2:2010
EN 55014-1:2006 + A1:2009 + A2:2011
EN 55014-2:1997 + A1:2001 + A2:2008

Winnenden, 2013-03-12

Alexander Krug

Alexander Krug
Managing Director



Pilnvarotais tehniskās dokumentācijas sastādītājs.

Techtronic Industries GmbH
Max-Eyth-Straße 10
71364 Winnenden
Germany

AKUMULĀTORI

Jauni akumulātori sasniedz pilnu kapacitāti pēc 4-5 uzlādēšanas un izlādēšanas cikliem. Akumulātori, kas ilgāku laiku nav izmantoti, pirms lietošanas jāuzlādē.

Pie temperatūras, kas pārsniedz 50°C, akumulātoru darbība tiek negatīvi ietekmēta. Vajag izvairīties no ilgākas saules un karstuma iedarbības.

Lādētāja un akumulātoru pievienojuma kontakti jāuztur tīri.

Lai baterijām būtu optimāls mūžs, pēc lietošanas bateriju bloks pilnībā jāuzlādē.

Lai akumulātori kalpotu pēc iespējas ilgāku laiku, tos pēc uzlādes ieteicams atvienot no lādētāj ierīces.

Akumulātoru uzglabāšana ilgāk kā 30 dienas: uzglabāt akumulātoru pie aptuveni 27° C un sausā vietā. Uzglabāt akumulātoru uzlādes stāvoklī aptuveni pie 30%-50%. Uzlādēt akumulātoru visus 6 mēnešus no jauna.

AKUMULĀTORA AIZSARDZĪBA PRET PĀRSLOGOJUMU

Akumulātoru pārslodzes gadījumos, esot ļoti lielam elektroenerģijas patēriņam, piem., ārkārtīgi augsts griezes moments, pēkšņa apstāšanās vai īssavienojums, elektriskais darbarīks 5 sekundes vibrē, uzlādes indikators mirgo, un elektriskais darbarīks pats izslēdzas.

Lai to atkal ieslēgtu, atļaidiet ieslēgšanas pogu un tad to ieslēdziet no jauna.

Esot ārkārtīgi augstam noslogojumam, akumulātors sakarst pārāk daudz. Šādā gadījumā visas uzlādes indikatora lampiņas mirgo tik ilgi, kamēr akumulātors ir atdzisis. Darbu varat turpināt, kad uzlādes indikators vairs nedeg.

APKOPE

Izmantojiet tikai firmu Milwaukee piederumus un firmas Milwaukee rezerves daļas. Lieciet nomainīt detaļas, kuru nomaiņa nav aprakstīta, kādā no firmu Milwaukee klientu apkalpošanas servisiem. (Skat. brošūru "Garantija/klientu apkalpošanas serviss".)

Pēc pieprasījuma, Jūsu Klientu apkalpošanas centrā vai pie Technotronic Industries GmbH, Max-Eyth-Straße 10, 71364 Winnenden, Vācijā, ir iespējams saņemt iekārtas montāžas rasējumu, iepriekš norādot iekārtas modeli un sērijas numuru, kas atrodas uz datu plāksnītes un sastāv no šiem simboliem.

SIMBOLI



Pirms sākt lietot instrumentu, lūdzu, izlasiet lietošanas pamācību.



Pirms mašīnai veikt jebkāda veida apkopes darbus, ir jāizņem ārā akumulātors.



Neizmetiet elektroiekārtas sadzīves atkritumos! Saskaņā ar Eiropas Direktīvu 2002/96/EK par lietotajām elektroiekārtām, elektronikas iekārtām un tās iekļaušanu valsts likumdošana lietotās elektroiekārtas ir jāsavac atsevišķi un jānogada otrreizējai pārstrādei videi draudzīga veida.

TECHNINIS DUOMENYS	Smūginis atsuktuvė / grąžtas su akumuliatoriumi	M12 BDD	M12 BPD
Produkto numeris	4419 01 01.....	4419 16 01.....	4419 16 01.....
	...000001-999999	...000001-999999	...000001-999999
Gręžimo ø pliene	10 mm	10 mm	10 mm
Gręžimo ø medienoje	22 mm	22 mm	22 mm
Gręžimo ø galvutė degtose ir silikatinėse plytose	10 mm	10 mm	10 mm
Medvaržčiai (be išankstinio gręžimo)	6 mm	6 mm	6 mm
Sūkių skaičius laisva eiga 1. pavara	0-400 min ⁻¹	0-400 min ⁻¹	0-400 min ⁻¹
Sūkių skaičius laisva eiga 2. pavara	0-1500 min ⁻¹	0-1500 min ⁻¹	0-1500 min ⁻¹
Apsukų skaičius 1. pavara	6000 min ⁻¹	6000 min ⁻¹	6000 min ⁻¹
Apsukų skaičius 2. pavara	22500 min ⁻¹	22500 min ⁻¹	22500 min ⁻¹
Sukimo momentas maks (Li-Ion Akumuliatorius 2,0 Ah) *1	30 Nm	30 Nm	30 Nm
Sukimo momentas maks (Li-Ion Akumuliatorius 4,0 Ah) *1	38 Nm	38 Nm	38 Nm
Keičiamo akumuliatoriaus įtampa	12 V	12 V	12 V
Grąžto patrono veržimo diapazonas	1,5-10 mm	1,5-10 mm	1,5-10 mm
Prietaiso svoris įvertintas pagal EPTA 2003/01 tyrimų metodiką (2,0 Ah)	1,18 kg	1,24 kg	1,24 kg
Prietaiso svoris įvertintas pagal EPTA 2003/01 tyrimų metodiką (4,0 Ah)	1,4 kg	1,46 kg	1,46 kg

Informacija apie triukšmą/vibraciją

Vertės matuotos pagal EN 60 745.

Prietaisui būdingas garso slėgio lygis, koreguotas pagal A dažnio charakteristiką.

Garso slėgio lygis (K = 3 dB(A))	85 dB (A)	85 dB (A)
Garso galios lygis (K = 3 dB(A))	96 dB (A)	96 dB (A)

Nešioti klausos apsaugines priemones!

Bendroji svyravimų reikšmė (trijų krypčių vektorių suma), nustatyta remiantis EN 60745.

Vibravimų emisijos reikšmė a _w		
Betono perforavimas	7,9 m/s ²	7,9 m/s ²
Paklaida K=	1,5 m/s ²	1,5 m/s ²
Metalų gręžimas	1,5 m/s ²	1,5 m/s ²
Paklaida K=	1,5 m/s ²	1,5 m/s ²
Prisukimas varžtais	0,4 m/s ²	0,4 m/s ²
Paklaida K=	1,5 m/s ²	1,5 m/s ²

*1 Matuojant pagal "Milwaukee" normą N 877318

DĖMESIO

Instrukcijoje nurodyta svyravimų ribinė vertė yra išmatuota remiantis standartu EN 60745; ji gali būti naudojama keliems elektriniams instrumentams palyginti. Ji taikoma ir laikinai įvertinti svyravimų apkrovą.

Nurodyta svyravimų ribinė vertė yra taikoma pagrindinėse elektrinio instrumento naudojimo srityse. Svyravimų ribinė vertė gali skirtis naudojant elektrinį instrumentą kitose srityse, papildomai naudojant nelinkamų elektrinių instrumentus arba juos nepakankamai techniškai prižiūrint. Dėl to viso darbo metu gali žymiai padidėti svyravimų apkrova.

Siekiant tiksliai nustatyti svyravimų apkrovą, būtina atsižvelgti ir į laikotarpį, kai įrenginys yra išjungtas arba įjungtas, tačiau faktiškai nenaudojamas. Dėl to viso darbo metu gali žymiai sumažėti svyravimų apkrova.

Siekiant apsaugoti vartotojus nuo svyravimo įtakos naudojamos papildomos saugos priemonės, pavyzdžiui, elektrinių darbo instrumentų techninė priežiūra, rankų šilumos palaikymas, darbo procesų organizavimas.

⚠ DĖMESIO! Perskaitykite visas saugumo pastabas ir nurodymus, esančius pridėtoje brošiūroje. Jei nepaisysite žemiau pateiktų saugos nuorodų ir reikalavimų, gali trenkti elektros smūgis, kilti gaisras ir/arba galite sunkiai susižaloti arba sužaloti kitus asmenis.
Išsaugokite šias saugos nuorodas ir reikalavimus, kad ir ateityje galėtumėte jais pasinaudoti.

YPATINGOS SAUGUMO NUORODOS GRĘŽTUVAS

Nešioti klausos apsaugos priemones. Triukšmo poveikį galima netekti klausos.

Dirbdami laikykite prietaisą už izoliuotų vietų, kuriose įrenginys pats galėtų liesti paslėptus laidus. Įrenginio kontaktas su įtampos laidais gali įelektrinti metalinės prietaiso dalis, o tai gali sukelti elektros iškvėpą.

Prietaisą laikykite ant izoliuoto guminio paviršiaus, jei atliekate darbus, kurių metu sraigtas gali pasiekti sulenktais srovės tiekimo linijomis. Sraigtai prisilietus prie įtampą tiekiančių linijų gali įsikrauti prietaiso dalys ir įvykti elektros smūgis.

Draudžiama išimtinai drožles ar nuopjovas, įrenginys veikiančiam.

Dirbdami sienoje, lubose arba grindyse, atkreipkite dėmesį į elektros laidus, dujų ir vandens vamzdžius.

Prieš atlikdami bet kokius darbus įrenginyje, išimkite keičiamą akumuliatorių.

Sunaudotų keičiamų akumuliatorių nedeginkite ir nemeskite į buitines atliekas. "Milwaukee" siūlo tausojantį aplinką sudėvėtų keičiamų akumuliatorių tvarkymą, apie tai prekybos atstovo.

Keičiamų akumuliatorių nelaikykite kartu su metaliniais daiktai (trumpojo jungimo pavojus).

Keičiamus "M 12" sistemos akumuliatorius kraukite tik "M 12" sistemos įkrovikliais. Nekraukite kitų sistemų akumuliatorių.

Ekstremalių apkrovų arba ekstremalios temperatūros poveikyje iš keičiamų akumuliatorių gali ištekėti akumuliatoriaus skystis. Išsitiesus akumuliatoriaus skystį, tuoj pat nuplaukite vandeniu su muilu. Patekus į akis, tuoj pat ne trumpiau kaip 10 minučių gausiai skalaukite vandeniu ir tuoj pat kreipkitės į gydytoją.

NAUDOJIMAS PAGAL PASKIRTĮ

M12 BDD: Akumuliatorinį suktuvą-gręžtuvą galima universaliai naudoti gręžimui ir sukimui nepriklausomai nuo elektros tinklo

M12 BPD: Akumuliatorinį smūginį suktuvą-gręžtuvą galima universaliai naudoti gręžimui, smūginiam gręžimui ir sukimui nepriklausomai nuo elektros tinklo.

Šį prietaisą leidžiama naudoti tik pagal nurodytą paskirtį.

CE ATITIKTIKIS PAREIŠKIMAS

Remiantis bendrais atsakomybės reikalavimais pareiškiamo, jog skyrtyje "Techniniai duomenys" aprašytas produktas atitinka visus toliau pateiktų juridinių direktyvų reikalavimus: 2011/65/EU (RoHS), 2006/42/EB, 2004/108/EB ir kitus su jomis susijusius norminius dokumentus:

EN 60745-1:2009 + A11:2010
EN 60745-2-1:2010
EN 60745-2-2:2010
EN 55014-1:2006 + A1:2009 + A2:2011
EN 55014-2:1997 + A1:2001 + A2:2008

Winnenden, 2013-03-12

Alexander Krug

Alexander Krug
Managing Director



Igalios parengti techninius dokumentus.

Techtronic Industries GmbH
Max-Eyth-Straße 10
71364 Winnenden
Germany

AKUMULIATORIAI

Nauji keičiami akumuliatoriai savo pilną talpą įgyja po 4-5 įkrovos ir iškrovos ciklų. Ilgesnį laiką nenaudotus keičiamus akumuliatorius prieš naudojimą įkraukite.

Aukštesnė nei 50°C temperatūra mažina keičiamų akumuliatorių galią. Venkite ilgesnio saulės ar šilumos šaltinių poveikio.

Įkroviklio ir keičiamo akumuliatoriaus jungiamieji kontaktai visada turi būti švarūs.

Pasinaudoję prietaisu, visiškai įkraukite akumuliatorių, kad prietaisais veiktų optimaliai ilgai.

Siekiant užtikrinti kuo ilgesnį baterijos tarnavimo laiką, reikėtų ją po atlikto įkrovimo iškart išimti iš įkroviklio.

Bateriją laikant ilgiau nei 30 dienų, būtina atkreipti dėmesį į šias nuorodas: bateriją laikyti sausoje aplinkoje, esant apie 27 °C temperatūrai. Baterijos įkrovimo lygis turi būti nuo 30 % iki 50 %. Baterija pakartotinai turi būti įkraunama kas 6 mėnesius.

APSAUGA NUO AKUMULIATORIAUS PERKROVOS

Esant akumuliatoriaus perkrovai dėl pernelyg didelio srovės suvartojimo, pvz.: itin didelių apsučių, staigus sustabdymo ar trumpojo jungimo, elektrinis įrankis vibruoja 5 sekundes, signalinis įkrovos rodmuo pradeda mirksėti ir elektrinis įrankis automatiškai išsijungia. Norint įrankį pakartotinai įjungti, reikia atleisti jungiklį ir vėl jį įjungti.

Esant ekstremalioms apkrovoms akumuliatorius per stipriai įkaista. Tokiu atveju visos įkrovos lemputės mirksi taip ilgai, kol akumuliatorius atvėsta. Užgesus įkrovos rodmenims įrankiu galima naudotis toliau.

TECHNINIS APTARNAVIMAS

Naudokite tik "Milwaukee" priedus ir "Milwaukee" atsargines dalis. Dalis, kurių keitimas neaprašytas, leidžiama keisti tik "Milwaukee" klientų aptarnavimo skyriams (žr. garantiją/klientų aptarnavimo skyrių adresus brošiūroje).

Esant poreikiui, nurodžius mašinos modelį ir šešiaženklį numerį, esantį ant specifikacijų lentelės, klientų aptarnavimo centre arba tiesiogiai "Techtronic Industries GmbH", Max-Eyth-Str. 10, 71364 Winnenden, Vokietija, galite užsakyti išplėstinį prietaiso brėžinį.

SIMBOLIAI



Prieš pradėdami dirbti su prietaisu, atidžiai perskaitykite jo naudojimo instrukciją.



Prieš atlikdami bet kokius darbus įrenginyje, išimkite keičiamą akumuliatorių.



Neišmeskite elektros įrengimų ir buitinius šiukšlynus! Pagal ES Direktyva 2002/96/EB dėl naudotų įrengimų, elektros įrengimų ir jų ištraukimo ir valstybinius įstatymus naudotus įrengimus būtina surinkti atskirai ir nugabenti antriniu žaliavų perdirbimui aplinkai nekenksmingu būdu.

Tootmisnumber	4419 01 01	4419 16 01
	...000001-999999	...000001-999999
Puurimislabimõõt terases	10 mm	10 mm
Puuri ø puidus	22 mm	22 mm
Puuri ø tellistes ja silikaatkivides	10 mm	10 mm
Puidukruvid (eelpuurimiseta)	6 mm	6 mm
Pöörlemiskiirus tühjooksul 1. käigul	0-400 min ⁻¹	0-400 min ⁻¹
Pöörlemiskiirus tühjooksul 2. käigul	0-1500 min ⁻¹	0-1500 min ⁻¹
Löökide arv 1. käigul	6000 min ⁻¹	6000 min ⁻¹
Löökide arv 2. käigul	22500 min ⁻¹	22500 min ⁻¹
Pöördemoment maks (Li-Ion Aku 2,0 Ah) *1	30 Nm	30 Nm
Pöördemoment maks (Li-Ion Aku 4,0 Ah) *1	38 Nm	38 Nm
Vahetatava aku pinge	12 V	12 V
Puuripadrundi pingutusvahemik	1,5-10 mm	1,5-10 mm
Kaal vastavalt EPTA-protseduurile 01/2003 (2,0 Ah)	1,18 kg	1,24 kg
Kaal vastavalt EPTA-protseduurile 01/2003 (4,0 Ah)	1,4 kg	1,46 kg

Müra/vibratsiooni andmed

Mõõteväärtused on kindlaks tehtud vastavalt normile EN 60 745.

Seadme A-filtriga hinnatud helirõhutase on tüüpiliselt

Helirõhutase (K=3 dB(A))	85 dB (A)	85 dB (A)
Helivõimsuse tase (K=3 dB(A))	96 dB (A)	96 dB (A)

Kandke kaitseks kõrvaklappe!

Vibratsiooni koguväärtus (kolme suuna vektorsumma) mõõdetud EN 60745 järgi.

Vibratsiooni emissiooni väärtus a _h		
Betooni löökpuurimine	7,9 m/s ²	
Määramatus K=	1,5 m/s ²	1,5 m/s ²
Metalli puurimine	1,5 m/s ²	1,5 m/s ²
Määramatus K=	1,5 m/s ²	1,5 m/s ²
Kruvimine	0,4 m/s ²	0,4 m/s ²
Määramatus K=	1,5 m/s ²	1,5 m/s ²

*1 Mõõdetud vastavalt Milwaukee normile N 877318

TÄHELEPANU

Antud juhendis toodud võnketase on mõõdetud EN 60745 standardile vastava mõõtesüsteemiga ning seda võib kasutada erinevate elektriseadmete omavahelises võrdlemises. Antud näitaja sobib ka esmaseks võnkekoormuse hindamiseks.

Antud võnketase kehtib elektriseadme kasutamisel sihtotstarbelselt. Kui elektriseadet kasutatakse muudel otstarvetel, muude tööriistadega või seda ei hooldata piisavalt võib võnketase siintoodust erineda. Eeltoodud võib võnketaset märkimisväärselt tõsta terves töökeskkonnas.

Võnketaseme täpseks hindamiseks tuleks arvestada ka aega, mil seade on välja lülitatud või on küll sisse lülitatud, kuid ei ole otseselt kasutuses. See võib märgatavalt vähendada kogu töökeskkonna võnketaset.

Rakendage spetsiaalseid ettevaatusabinõusid töötajate suhtes, kes puutuvad töö käigus palju kokku vibratsiooniga. Nendeks abinõudeks võivad olla, näiteks: elektri- ja tööseadmete korraline hooldus, käte soojendamine, töövoo parem organiseerimine.

⚠ TÄHELEPANU! Lugege kõik ohutusnõuanded ja juhendid läbi, ka juures olevast brošüürist. Ohutusnõuete ja juhiste eiramise tagajärjeks võib olla elektrilöökk, tulekahju ja/või rasked vigastused.
Hoidke kõik ohutusnõuded ja juhised edasiseks kasutamiseks hoolikalt alles.

TURVAJUHISED TRELLPUUR

Kandke kaitseks kõrvaklappe. Müra mõju võib kutsuda esile kuulmise kaotuse.

Tööde puhul, kus löikeseade võib minna vastu peidetud elektrijuhtmeid, hoidke kinni seadme isoleeritud käepidemetest. Kokkupuude pingestatud juhtmega võib pingestada ka löikeseadme metallist osad ning põhjustada elektrilöögi.

Hoidke käed seadme isoleeritud käepidemedel, kui Te teostate töid, mille juures kruvi võib sattuda varjatud voolujuhtmetele. Kruvi kontakt pinget juhtiva juhtmega võib panna metallist seadme osad pingele alla ja põhjustada elektrilöögi.

Puru ega pilpaid ei tohi eemaldada masina töötamise ajal.

Seina, lae või põranda tööde puhul pidage silmas elektrijuhtmeid, gaasi- ja veetorusid.

Enne kõiki töid masina kallal võtke vahetatav aku välja.

Ärge visake tarvitatud vahetatavaid akusid tulle ega olmeprügisse. Milwaukee pakub vanade akude keskkonnahoidlikku käitlust; palun küsige oma erialaselt tarnijalt.

Ärge säilitage vahetatavaid akusid koos metallesemetega (lühiseoht).

Laadige süsteemi M 12 vahetatavaid akusid ainult süsteemi M 12 laadijatega. Ärge laadige nendega teiste süsteemide akusid.

Äärmuslikul koormusel või äärmuslikul temperatuuril võib kahjustatud vahetatavast akust akuedelik välja voolata. Akuedelikuga kokkupuutumise korral peske kohe vee ja seebiga. Silma sattumise korral loputage kiiresti põhjalikult vähemalt 10 minutit ning pöörduge viivitamatult arsti poole.

KASUTAMINE VASTAVALT OTSTARBELE

M12 BDD: Akutrell-kruvikeerajat saab sõltumata võrguühendusest universaalselt rakendada puurimiseks ja kruvide keeramiseks

M12 BPD: Elektroonilist akulööktrell-kruvikeerajat saab sõltumata võrguühendusest universaalselt rakendada puurimiseks, löökpuurimiseks ja kruvide keeramiseks.

Antud seadet tohib kasutada ainult vastavalt äranäidatud otstarbele.

Me deklareerime ainuisikuliselt vastutades, et lõigus "Tehnilised andmed" kirjeldatud toode vastab direktiivide 2011/65/EU (RoHS), 2006/42/EÜ, 2004/108/EÜ kõigile olulisele tähtsusega eeskirjadele ning järgmistele harmoneiseeritud normatiivsetele dokumentidele:

- EN 60745-1:2009 + A11:2010
- EN 60745-2-1:2010
- EN 60745-2-2:2010
- EN 55014-1:2006 + A1:2009 + A2:2011
- EN 55014-2:1997 + A1:2001 + A2:2008

Winnenden, 2013-03-12

Alexander Krug
Alexander Krug
Managing Director



On volitatud koostama tehnilisi dokumentatsiooni.

Techtronic Industries GmbH
Max-Eyth-Straße 10
71364 Winnenden
Germany

AKUD

Uued vahetatavad akud saavutavad oma täieliku mahtuvuse pärast 4–5 laadimis- ja tühjendustsüklit. Pikemat aega mittekasutatud akusid laadige veel enne kasutamist.

Temperatuur üle 50 °C vähendab vahetatava aku töövoimet. Vältige pikemat soojenemist päikese või kütteseadme mõjul.

Hoidke laadija ja vahetatava aku ühenduskontaktid puhtad.

Patreide optimaalse eluea tagamiseks, pärast kasutamist täielikult lae pateride plokki.

Akud tuleks võimalikult pika kasutusea saavutamiseks pärast täislaadimist laadijast välja võtta.

Aku ladustamisel üle 30 päeva:
Ladustage akut kuivas kohas u 27°C juures.
Ladustage akut u 30-50% laetusseisundis.
Laadige aku iga 6 kuu tagant täis.

AKU KOORMUSKAITSE

Aku ülekoormamisel kõrge voolutarbimisega, nt puuri Aku ülekoormamisel kõrge voolutarbimisega, nt puuri blokeerumisel, lühise tekkimisel või ülikõrgetel pööretel, vibreerib elektritööriist 5 sekundit, laadimistuli vilgub ja tööriist lülitub automaatselt välja.

Uuesti sisse lülitamiseks tuleb päästik esmalt vabastada ning seejärel uuesti alla suruda.
Üli suurel koormusel võib aku kuumeneda kõrgete temperatuurideni. Sellisel juhul vilguvad kõik laadimistulukesed kuni aku jahtumiseni. Peale laadimistulukeste kustumist võite tööd jätkata.

HOOLDUS

Kasutage ainult Milwaukee tarvikuid ja Milwaukee tagavaraosi. Detailid, mille väljavahetamist pole kirjeldatud, laske välja vahetada Milwaukee klienditeeninduspunktis (vaadake brošüüri garantii / klienditeeninduste aadressid).

Vajadusel saab nõuda seadme plahvatusjoonise võimsussildil oleva masinatüübi ja kuuekohalise numbrilise alusel klienditeeninduspunkti või vahetult firmalt Techtronic Industries GmbH, Max-Eyth-Straße 10, 71364 Winnenden, Germany.



Palun lugege enne käiklaskmist kasutamisyhend hoolikalt läbi.



Enne kõiki töid masina kallal võtke vahetatav aku välja.



Ärge käideldage kasutuskõlbmatuks muutunud elektrilisi tööriistu koos olmejäätmetega! Vastavalt Euroopa Parlamendi ja nõukogu direktiivile 2002/96/EÜ elektri- ja elektroonikaseadmete jäätmete kohta ning direktiivi nõuete kohaldamisele liikmesriikides tuleb asutuskõlbmatuks muutunud elektrilised tööriistad koguda eraldi ja keskkonnasäästlikult korduskasutada või ringlusse võtta.

Технические данные	Аккумуляторная дрель/шурупверт	M12 BDD	M12 BPD
Серийный номер изделия	4419 01 01... ...000001-999999	4419 16 01... ...000001-999999	4419 16 01... ...000001-999999
Производительность сверления в стали	10 mm	10 mm	10 mm
Производительность сверления в дереве	22 mm	22 mm	22 mm
Производительность сверления в кирпич и кафель	10 mm	10 mm	10 mm
Шурупы для дерева (без предварительного засверливания)	6 mm	6 mm	6 mm
Число оборотов без нагрузки (об/мин) 1-ая передача	0-400 min ⁻¹	0-400 min ⁻¹	0-400 min ⁻¹
Число оборотов без нагрузки (об/мин) 2-я скорость	0-1500 min ⁻¹	0-1500 min ⁻¹	0-1500 min ⁻¹
Число ударов (об/мин) 1-ая передача	-	6000 min ⁻¹	6000 min ⁻¹
Число ударов (об/мин) 2-я передача	-	22500 min ⁻¹	22500 min ⁻¹
Момент затяжки макс. (Li-Ion Аккумулятор 2,0 Ah) *1	30 Nm	30 Nm	30 Nm
Момент затяжки макс. (Li-Ion Аккумулятор 4,0 Ah) *1	38 Nm	38 Nm	38 Nm
Вольтаж аккумулятора	12 V	12 V	12 V
Диапазон раскрытия патрона	1,5-10 mm	1,5-10 mm	1,5-10 mm
Вес согласно процедуре EPTA 01/2003 (2,0 Ah)	1,18 kg	1,24 kg	1,24 kg
Вес согласно процедуре EPTA 01/2003 (4,0 Ah)	1,4 kg	1,46 kg	1,46 kg

Информация по шумам/вибрации

Значения замерялись в соответствии со стандартом EN 60 745.

Обычное низкочастотное звуковое давление, производимое инструментом, составляет

Уровень звукового давления (K = 3dB(A))	85 dB (A)	85 dB (A)
Уровень звуковой мощности (K = 3dB(A))	96 dB (A)	96 dB (A)

Пользуйтесь приспособлениями для защиты слуха.

Общие значения вибрации (векторная сумма трех направлений) определены в соответствии с EN 60745.

Значение вибрационной эмиссии a_v

Ударное сверление в бетоне	7,9 m/s ²	7,9 m/s ²
Небезопасность K=	1,5 m/s ²	1,5 m/s ²
Сверление в металле	1,5 m/s ²	1,5 m/s ²
Небезопасность K=	1,5 m/s ²	1,5 m/s ²
Завинчивание	0,4 m/s ²	0,4 m/s ²
Небезопасность K=	1,5 m/s ²	1,5 m/s ²

*1 Измерения согласно нормативам Milwaukee № 877318

ВНИМАНИЕ

Указанный в настоящем руководстве уровень вибрации измерен в соответствии с технологией измерения, установленной стандартом EN 60745 и может использоваться для сравнения электроинструментов друг с другом. Он также подходит для предварительной оценки вибрационной нагрузки.

Указанный уровень вибрации представляет основные виды использования электроинструмента. Но если электроинструмент используется для других целей, используемый инструмент отклоняется от указанного или техническое обслуживание было недостаточным, то уровень вибрации может отклоняться от указанного. В этом случае вибрационная нагрузка в течение всего периода работы значительно увеличивается.

Для точной оценки вибрационной нагрузки необходимо также учитывать время, в течение которого прибор отключен или включен, но фактически не используется. В этом случае вибрационная нагрузка в течение всего периода работы может существенно уменьшиться.

Установите дополнительные меры безопасности для защиты пользователя от воздействия вибрации, например: техническое обслуживание электроинструмента и используемого инструмента, поддержание рук в теплом состоянии, организация рабочих процессов.

⚠ ВНИМАНИЕ! Ознакомьтесь со всеми указаниями по безопасности и инструкциями, в том числе с инструкциями, содержащимися в прилагающейся брошюре. Улучшения, допущенные при соблюдении указаний и инструкций по технике безопасности, могут стать причиной электрического поражения, пожара и тяжелых травм.
Сохраняйте эти инструкции и указания для будущего использования.

РЕКОМЕНДАЦИИ ПО ТЕХНИКЕ БЕЗОПАСНОСТИ ДРЕЛЬ

Используйте наушники! Воздействие шума может привести к потере слуха.

Если Вы выполняете работы, при которых режущий инструмент может зацепить скрытую электропроводку кабель, инструмент следует держать за специально предназначенные для этого изолированные поверхности. Контакт режущего инструмента с токоведущим проводом может ставить под напряжение металлические части прибора, а также приводить к удару электрическим током.

Если Вы выполняете работы, при которых болт может зацепить скрытую электропроводку, устройство следует держать за специально предназначенные для этого изолированные поверхности. Контакт болта с токоведущим проводом может ставить под напряжение металлические части прибора, а также приводить к удару электрическим током.

Не убирайте опилки и обломки при включенном инструменте.

При работе в стенах, потолках или полу следите за тем, чтобы не повредить электрические кабели или водопроводные трубы.

Выньте аккумулятор из машины перед проведением с ней каких-либо манипуляций.

Не выбрасывайте использованные аккумуляторы вместе с домашним мусором и не сжигайте их. Дистрибьюторы компании Milwaukee предлагают восстановление старых аккумуляторов, чтобы защитить окружающую среду.

Не храните аккумуляторы вместе с металлическими предметами во избежание короткого замыкания. Для зарядки аккумуляторов модели M 12 используйте только зарядным устройством M 12. Не заряжайте аккумуляторы других систем.

Аккумуляторная батарея может быть повреждена и дать течь под воздействием чрезмерных температур или повышенной нагрузки. В случае контакта с аккумуляторной кислотой немедленно промойте место контакта мылом и водой. В случае попадания кислоты в глаза промойте глаза в течение 10 минут и немедленно обратитесь за медицинской помощью.

ИСПОЛЬЗОВАНИЕ

M12 BDD: Аккумуляторная дрель/шурупверт сконструирована для простого сверления и закручивания шурупов в местах, необеспеченных электропитанием

M12 BPD: Электронная ударная дрель/шурупверт Milwaukee сконструирована для простого сверления, ударного сверления, закручивания шурупов в местах, необеспеченных электропитанием.

Не пользуйтесь данным инструментом способом, отличным от указанного для нормального применения.

ДЕКЛАРАЦИЯ О СООТВЕТСТВИИ СТАНДАРТАМ ЕС

Мы заявляем под собственную ответственность, что изделие, описанное в разделе "Технические характеристики", соответствует всем важным предписаниям Директивы 2011/65/EU (Директива об ограничении применения опасных веществ в электрических и электронных приборах), 2006/42/EC, 2004/108/EC и приведенным далее гармонизированным нормативным документам:

EN 60745-1:2009 + A11:2010
EN 60745-2-1:2010
EN 60745-2-2:2010
EN 55014-1:2006 + A1:2009 + A2:2011
EN 55014-2:1997 + A1:2001 + A2:2008

Winnenden, 2013-03-12

Alexander Krug

Alexander Krug
Managing Director



Уполномочен на составление технической документации.

Techtronic Industries GmbH
Max-Eyth-Straße 10
71364 Winnenden
Germany

АККУМУЛЯТОР

Новый аккумулятор заряжается до полной емкости после 4 - 5 зарядных циклов. Перед использованием аккумулятора, которым не пользовались некоторое время, его необходимо зарядить.

Температура свыше 50°C снижает работоспособность аккумуляторов. Избегайте продолжительного нагрева или прямого солнечного света (риск перегрева).

Контакты зарядного устройства и аккумуляторов должны содержаться в чистоте.

Для обеспечения оптимального срока службы аккумуляторы необходимо полностью заряжать после использования.

Для достижения максимально возможного срока службы аккумуляторы после зарядки следует вынимать из зарядного устройства.

При хранении аккумулятора более 30 дней: Храните аккумулятор при 27°C в сухом месте. Храните аккумулятор с зарядом примерно 30% - 50%. Каждые 6 месяцев аккумулятор следует заряжать.

ЗАЩИТА АККУМУЛЯТОРА ОТ ПЕРЕГРУЗКИ

В случае перегрузки аккумулятора по причине слишком большого потребления электроэнергии, при экстремально большом крутящем моменте, внезапной остановке или коротком замыкании, электроприбор вибрирует в течение 5 секунд, загорается индикатор заряда аккумулятора и электроприбор автоматически выключается. Для повторного включения следует отжать кнопку включения и потом снова включить. При слишком высоких нагрузках аккумулятор перегревается. В этом случае загораются все лампы индикатора заряда аккумулятора. Когда аккумулятор остынет и лампы погаснут – можно продолжать работу.

ОБСЛУЖИВАНИЕ

Пользуйтесь аксессуарами и запасными частями Milwaukee. В случае возникновения необходимости в замене, которая не была описана, обращайтесь в один из сервисных центров по обслуживанию электроинструментов Milwaukee (см. список сервисных организаций).

При необходимости, у сервисной службы или непосредственно у фирмы Techtronic Industries GmbH, Max-Eyth-Straße 10, 71364, Винненден, Германия, можно запросить сборочный чертеж устройства, сообщив его тип и шестизначный номер, указанный на фирменной табличке.

СИМВОЛЫ



Пожалуйста, внимательно прочтите инструкцию по использованию перед началом любых операций с инструментом.



Выньте аккумулятор из машины перед проведением с ней каких-либо манипуляций.



Не выбрасывайте электроинструмент с бытовыми отходами! Согласно Европейской директиве 2002/96/EC по отходам от электрического и электронного оборудования и соответствующим нормам национального права вышедшие из употребления электроинструменты подлежат сбору отдельно для экологически безопасной утилизации.



Соответствие техническому регламенту



Национальный знак відповідності України

TR 066

ТЕХНИЧЕСКИ ДАННИ	Аккумулятор ударен гайковерт	M12 BDD	M12 BPD
Производствен номер	4419 01 01 ...000001-999999	4419 16 01 ...000001-999999	
Диаметър на свредлото за стомана	10 mm	10 mm	
Диаметър на свредлото за дърво	22 mm	22 mm	
Диаметър на свредлото за обикновени и силикатни тухли	6 mm	10 mm	
Винтове за дърво (без предварително разпробиване)	0-400 min ⁻¹	0-400 min ⁻¹	
Обороти на празен ход на 1. скорост	0-1500 min ⁻¹	0-1500 min ⁻¹	
Брой удари на 1. скорост	6000 min ⁻¹	6000 min ⁻¹	
Брой удари на 2. скорост	22500 min ⁻¹	22500 min ⁻¹	
Въртящ момент макс (Li-Ion Аккумуляторна батерия 2,0 Ah) *1	30 Nm	30 Nm	
Въртящ момент макс (Li-Ion Аккумуляторна батерия 4,0 Ah) *1	38 Nm	38 Nm	
Напрежение на акумулатора	12 V	12 V	
Затегателен участък на патронника	1,5-10 mm	1,5-10 mm	
Тегло съгласно процедурата ЕРТА 01/2003 (2,0 Ah)	1,18 kg	1,24 kg	
Тегло съгласно процедурата ЕРТА 01/2003 (4,0 Ah)	1,4 kg	1,46 kg	

Информация за шума/вибрациите

Измерените стойности са получени съобразно EN 60 745. Нивото на звуково налягане на уреда в db (A) обикновено съставлява

Ниво на звукова мощност (K=3 dB(A))	85 dB (A)	85 dB (A)
Ниво на звукова мощност (K=3 dB(A))	96 dB (A)	96 dB (A)

Да се носи предпазно средство за слуха!

Общите стойности на вибрациите (векторна сума на три посоки) са определени в съответствие с EN 60745.

Стойност на емисии на вибрациите a _n		
Ударно пробиване в бетон	7,9 m/s ²	
Несигурност K=	1,5 m/s ²	
Пробиване на метал	1,5 m/s ²	
Несигурност K=	1,5 m/s ²	
Завинтване	0,4 m/s ²	
Несигурност K=	1,5 m/s ²	

*1 Измерено по стандарт N 877318 на Milwaukee

ВНИМАНИЕ

Посоченото в тези инструкции ниво на вибрациите е измерено в съответствие със стандартизиран в EN 60745 измервателен метод и може да се използва за сравнение на електрически инструменти помежду им. Подходящ е и за временна оценка на вибрационното натоварване.

Посоченото ниво на вибрациите представя основните приложения на електрическия инструмент. Ако обаче електрическият инструмент се използва с друго предназначение, с различни сменяеми инструменти или при недостатъчна техническа поддръжка, нивото на вибрациите може да е различно. Това чувствително може да увеличи вибрационното натоварване по време на целия работен цикъл.

За точната оценка на вибрационното натоварване трябва да се вземат предвид и периодите от време, в които уредът е изключен или работи, но в действителност не се използва. Това чувствително може да намали вибрационното натоварване по време на целия работен цикъл.

Определете допълнителни мерки по техника на безопасност в защита на обслужващия работник от въздействието на вибрациите като например: техническа поддръжка на електрическия инструмент и сменяемите инструменти, поддръжане на ръцете топли, организация на работния цикъл.

⚠ ВНИМАНИЕ! Прочетете указанията за безопасност и съветите в приложената брошура. Неспазването на приведените по-долу указания може да доведе до токов удар, пожар и/или тежки травми.
Съхранявайте тези указания на сигурно място.

УКАЗАНИЯ ЗА БЕЗОПАСНОСТ ПЕРФОРАТОРНА БОРМАШИНА

Носете средство за защита на слуха. Въздействието на шума може да предизвика загуба на слуха.

Дръжте уреда за изолираните ръкохватки, когато извършвате работи, при които режещият инструмент може да засегне скрити електросталационни кабели. Контактът на режещия инструмент с тоководещ проводник може да предаде напрежението върху метални части на уреда и да доведе до токов удар.

Когато извършвате работи, при които болтът може да докосне скрити електрически кабели, дръжте уреда за изолираните ръкохватки. Контактът на болта с токопроводим проводник може да постави метални част на уреда под напрежение и може да Ви хване ток.

Стружки или отчупени парчета да не се отстраняват, докато машина работи.

При работа в стени, тавани или подове внимавайте за кабели, газопроводи и водопроводи.

Преди започване на каквито е да е работи по машината извадете акумулатора.

Не изхвърляйте изхабените акумулатори в огъня или в при битовите отпадъци. Milwaukee предлага екологосъобразно събиране на старите акумулатори; моля попитайте Вашия специализиран търговец.

Не съхранявайте акумулаторите заедно с метални предмети (опасност от късо съединение).

Акумулатори от системата M 12 да се зареждат само със зарядни устройства от системата M 12 laden. Да не се зареждат акумулатори от други системи.

При екстремно натоварване или екстремна температура от повредени акумулатори може да изтече батерийна течност. При допир с такава течност веднага измийте с вода и сапун. При контакт с очите веднага изплаквайте

стрателно най-малко 10 минути и незабавно потърсете лекар.

ИЗПОЛЗВАНЕ ПО ПРЕДНАЗНАЧЕНИЕ

M12 BDD: Акумулаторният пробивен винтоверт се използва универсално за пробиване и за завинтване на винтове и не зависи от захранване от мрежата

M12 BPD: Акумулаторният ударен пробивен винтоверт с електронно управление може универсално да се използва за пробиване, ударно пробиване и завинтване на винтове, като не зависи от захранване от мрежата.

Този уред може да се използва по предназначение само както е посочено.

СЕ - ДЕКЛАРАЦИЯ ЗА СЪОТВЕТСТВИЕ

Заявяваме под собствена отговорност, че описаният в "Технически данни" продукт съответства на всички важни разпоредби на директива 2011/65/EU (RoHS), 2006/42/EO, 2004/108/EO, както и на всички следващи нормативни документи във тази връзка.

EN 60745-1:2009 + A11:2010
EN 60745-2-1:2010
EN 60745-2-2:2010
EN 55014-1:2006 + A1:2009 + A2:2011
EN 55014-2:1997 + A1:2001 + A2:2008

Winnenden, 2013-03-12

Alexander Krug

Alexander Krug
Managing Director



Упълномощен за съставяне на техническата документация
Techtronic Industries GmbH
Max-Eyth-Straße 10
71364 Winnenden
Germany

АКУМУЛАТОРИ

Новите сменяеми акумулатори достигат пълния си капацитет след 4-5 цикъла на зареждане и разреждане. Акумулатори, които не са ползвани по-дълго време, преди употреба да се дозаредят.

Температура над 50°C намалява мощността на акумулатора. Да се избягва по-продължително нагряване на слънце или от отопление.

Поддържайте чисти присъединителните контакти на зарядното устройство и на акумулатора.

С цел оптимална продължителност на живот след употреба батериите трябва да бъдат заредени напълно. За възможно по-дълга продължителност на живот батериите трябва да се изваждат от уреда след зареждане.

При съхранение на батериите за повече от 30 дни: съхранявайте батерията при прилб. 27°C и на сухо място. Съхранявайте батерията при 30 до 50 % от заряда. Зареждайте батерията на всеки 6 месеца.

ЗАЩИТА ОТ ПРЕТОВАРВАНЕ НА БАТЕРИЯТА

При претоварване на батерията вследствие на голямо потребление на енергия, например изключително високи въртящи моменти, внезапно спиране или късо съединение, електрическият инструмент вибрира в продължение на 5 секунди, мига индикаторът за зареждане и електрическият инструмент се изключва сам.

За да го включите повторно, освободете превключвателя и след това включете уреда.

При екстремни натоварвания батерията се нагрява значително. В този случай всички светлини на индикатора за зареждане мигат дотогава, докато

батерията се охлади. След изключване на индикатора за зареждане можете да продължите работата с уреда.

ПОДДРЪЖКА

Да се използват само аксесоари на Milwaukee и резервни части на Milwaukee. Елементи, чията подмяна не е описана, да се дадат за подмяна в сервис на Milwaukee (вижте брошурата "Гаранция и адреси на сервиси").

При необходимост можете да поискате схема на елементите на уреда при посочване на обозначение на машината и шестцифрени номер на табелката за технически данни от Вашия сервис или директно на Techtronic Industries GmbH, Max-Eyth-Straße 10, 71364 Winnenden, Германия.

СИМВОЛИ



Преди пускане на уреда в действие моля прочетете внимателно инструкцията за използване.



Преди започване на каквито е да е работи по машината извадете акумулатора.



Не изхвърляйте електроинструменти при битовите отпадъци! Съобразно Европейска директива 2002/96/EO за стари електрически и електронни уреди и нейното реализиране в националното законодателство изхабените електроинструменти трябва да се събират отделно и да се предават в пункт за екологосъобразно рециклиране.

DATE TEHNICE	Mașină de găurit/ înșurubat compactă cu acumulator	M12 BDD	M12 BPD
Număr producție	4419 01 01... ...000001-999999	4419 16 01... ...000001-999999	
Capacitate de găurire în oțel	10 mm	10 mm	
Capacitate de găurire în lemn	22 mm	22 mm	
Capacitate de perforare în cărămidă și țiglă	10 mm	10 mm	
Șuruburi pt. lemn (fără pregăurire)	6 mm	6 mm	
Viteza de mers în gol, prima treaptă de putere	0-400 min ⁻¹	0-400 min ⁻¹	
Viteza de mers în gol, a 2-a treaptă	0-1500 min ⁻¹	0-1500 min ⁻¹	
Număr de percuții, prima treaptă de putere	-	6000 min ⁻¹	
Număr de percuții, a 2-a treaptă	-	22500 min ⁻¹	
Cuplu max (Li-Ion Acumulator 2,0 Ah) *1	30 Nm	30 Nm	
Cuplu max (Li-Ion Acumulator 4,0 Ah) *1	38 Nm	38 Nm	
Tensiune acumulator	12 V	12 V	
Interval de deschidere burghiu	1,5-10 mm	1,5-10 mm	
Greutatea conform "EPTA procedure 01/2003" (2,0 Ah)	1,18 kg	1,24 kg	
Greutatea conform "EPTA procedure 01/2003" (4,0 Ah)	1,4 kg	1,46 kg	

Informație privind zgomotul/vibrațiile

Valori măsurate determinate conform EN 60 745.

Valoarea reală A a nivelului presiunii sonore a sculei este :

Nivelul presiunii sonore (K = 3dB(A))	85 dB (A)	85 dB (A)
Nivelul sunetului (K = 3dB(A))	96 dB (A)	96 dB (A)

Purtați căști de protecție

Valorile totale de oscilație (suma vectorială pe trei direcții) determinate conform normei EN 60745.

Valoarea emisiei de oscilații a _h		
Găurit cu percuție în beton	7,9 m/s ²	
Nesiguranță K=	1,5 m/s ²	1,5 m/s ²
Găurit în metal	1,5 m/s ²	1,5 m/s ²
Nesiguranță K=	1,5 m/s ²	1,5 m/s ²
Înșurubare	0,4 m/s ²	0,4 m/s ²
Nesiguranță K=	1,5 m/s ²	1,5 m/s ²

*1 Măsurată conform normei Milwaukee N 877318

AVERTISMENT

Gradul de oscilație indicat în prezentele instrucțiuni a fost măsurat în conformitate cu o procedură de măsurare normată prin norma EN 60745 și poate fi folosit pentru a compara uneltele electrice între ele. El se pretează și pentru o evaluare provizorie a solicitării la oscilații.

Gradul de oscilație indicat reprezintă aplicațiile principale ale uneltelor electrice. În cazul în care însă uneltele electrice au fost folosite pentru alte aplicații, ori au fost folosite uneltele de muncă diferite ori acestea nu au fost supuse unei suficiente inspecții de întreținere, gradul de oscilație poate fi diferit. Acest fapt poate duce la o creștere netă a solicitărilor la oscilații dealungul întregii perioade de lucru.

În scopul unei evaluări exacte a solicitării la oscilații, urmează să fie luate în considerație și perioadele de timp în care aparatul a fost oprit ori funcționează dar, în realitate, el nu este folosit în mod practic. Acest fapt poate duce la o reducere netă a solicitărilor la oscilații dealungul întregii perioade de lucru.

Stabiliți măsuri de siguranță suplimentare în scopul protecției utilizatorului de efectele oscilațiilor, de exemplu: inspecție de întreținere a uneltelor electrice și a celor de muncă, păstrarea caldă a mâinilor, organizarea proceselor de muncă.

⚠️ AVERTISMENT! Citiți toate avizele de siguranță și indicațiile, chiar și cele din borșura alăturată.

Nerespectarea indicațiilor de avertizare și a instrucțiunilor poate provoca electrocutare, incendii și/sau răni grave.

Păstrați toate indicațiile de avertizare și instrucțiunile în vederea utilizărilor viitoare.

INSTRUCȚIUNI DE SECURITATE MAȘINĂ DE GĂURIT

Purtați aparatoare de urechi. Expunerea la zgomot poate produce pierderea auzului.

Tineți aparatul de mânerle izolate când executați lucrări la care scula tăietoare poate nimeri peste conductori electrici ascunși. Intrarea în contact a sculei tăietoare cu o linie electrică prin care circula curent poate pune sub tensiune și componentele metalice ale aparatului și să ducă la electrocutare.

Tineți aparatul de mânerle izolate atunci când executați lucrări la care șurubul ar putea atinge cabluri de curent ascunse. Contactul șurubului cu un conductor prin care circula curentul electric poate pune sub tensiune

componente metalice ale aparatului, provocând electrocutare.

Rumegușul și spanul nu trebuie îndepărtate în timpul funcționării mașinii.

Când se lucrează pe pereți, tavan sau dușumea, aveți grijă să evitați cablurile electrice și țevile de gaz sau de apă.

Scoateți acumulatorul înainte de a începe orice intervenție pe mașină.

Nu aruncați acumulatorii uzați la containerul de reziduri menajere și nu îi ardeți. Milwaukee Distributors se oferă să recupereze acumulatorii vechi pentru protecția mediului înconjurător.

Nu depozitați acumulatorul împreună cu obiecte metalice (risco de scurtcircuit)

Folosiți numai încărcătoare System M 12 pentru încărcarea acumulatorilor System M 12. Nu folosiți acumulatorii din alte sisteme.

Acidul se poate scurge din acumulatorii deteriorați la încălziri sau temperaturi extreme. În caz de contact cu

acidul din acumulator, spălați imediat cu apă și săpun. În caz de contact cu ochii, clătiți cu atenție timp de cel puțin 10 minute și apelați imediat la îngrijire medicală.

CONDIȚII DE UTILIZARE SPECIFICATE

M12 BDD: Mașina de găurit / de înșurubat cu acumulator este destinată operațiilor de găurire și înșurubare, pentru utilizare independentă, departe de sursele de alimentare

M12 BPD: Mașina electronică de găurit / de înșurubat, cu percuție cu acumulator este destinată găuririi, percutante precum și înșurubării, la utilizare independentă departe de surse de alimentare.

Nu utilizați acest produs în alt mod decât cel stabilit pentru utilizare normală

DECLARAȚIE DE CONFORMITATE

Declaram pe propria răspundere că produsul descris la "Date tehnice" este în concordanță cu toate prevederile legale relevante ale Directivei 2011/65/EU (RoHS), 2006/42/CE, 2004/108/CE și cu următoarele norme armonizate:

EN 60745-1:2009 + A11:2010
EN 60745-2-1:2010
EN 60745-2-2:2010
EN 55014-1:2006 + A1:2009 + A2:2011
EN 55014-2:1997 + A1:2001 + A2:2008

Winnenden, 2013-03-12

Alexander Krug

Alexander Krug
Managing Director



Împuternicit să elaboreze documentația tehnică.

Techtronic Industries GmbH
Max-Eyth-Straße 10
71364 Winnenden
Germany

ACUMULATORI

Noile pachete de acumulatori ating capacitatea totală de încărcare după 4-5 încărcări și descărcări. Acumulatorii care nu au fost utilizați o perioadă de timp trebuie reîncărcați înainte de utilizare.

Temperatura mai mare de 50°C (122°F) reduce performanța acumulatorului. Evitați expunerea prelungită la căldură sau radiație solară (risco de supraîncălzire)

Contactele încărcătoarelor și acumulatorilor trebuie păstrate curate.

Pentru o durabilitate optimă, acumulatorii trebuie reîncărcați complet după folosire.

Pentru o durată de viață cât mai lungă, acumulatorii ar trebui scoși din încărcător după încărcare.

La depozitarea acumulatorilor mai mult de 30 zile: Acumulatorii se depozitează la cca. 27°C și la loc uscat. Acumulatorii se depozitează la nivelul de încărcare de cca. 30%-50%. Acumulatorii se încarcă din nou la fiecare 6 luni.

PROTECȚIE SUPRAÎNCĂRCARE ACUMULATOR

În cazul unei suprasolicitări a acumulatorului datorită unui consum excesiv de curent electric, de ex. datorită unor momente de turație extrem de înalte, a unei opriri subite sau a unui scurtcircuit, scula electrică trepidează timp de 5 secunde, indicația stării de încărcare pălpăie și scula electrică se deconectează de la sine. Pentru reînnoțirea datii drumul întrerupătorului și conectați din nou. În cazul unor sarcini extreme, acumulatorul se încălzește prea tare. În acest caz toate lămpile indicației stării de încărcare pălpăie până când acumulatorul s-a răcit. După ce indicația stării de încărcare s-a stins se poate lucra mai departe.

INTRĂRI

Utilizați numai accesoriile și piesele de schimb Milwaukee. Dacă unele din componentele care nu au fost descrise trebuie înlocuite, vă rugăm contactați unul din agenții de service Milwaukee (vezi lista noastră pentru service / garanție)

Dacă este necesar, puteți solicita de la centrul dvs. de service pentru clienți sau direct la Techtronic Industries GmbH, Max-Eyth-Straße 10, 71364 Winnenden, Germania un desen descompus al aparatului prin indicarea tipului de aparat și a numărului cu șase cifre de pe tablă indicatoare.

SIMBOLURI



Vă rugăm citiți cu atenție instrucțiunile înainte de pornirea mașinii



Îndepărtați acumulatorul înainte de începerea lucrului pe mașina



Nu aruncați scule electrice în gunoii menajeri! Conform directivei europene nr. 2002/96/EC referitor la aparate electrice și electronice uzate precum și la transpunerea acesteia în drept național, sculele electrice trebuie colectate separat și introduse într-un circuit de reciclare ecologic.

ТЕХНИЧКИ ПОДАТОЦИ	Ударна дупчалка на батерија	M12 BDD	M12 BPD
Производен број.....	4419 01 01.....	4419 16 01.....	
	...000001-999999	...000001-999999	
Капацитет на дупчење во челик	10 mm	10 mm	
Капацитет на дупчење во дрво	22 mm	22 mm	
Капацитет на дупчење во тули и плочки	6 mm	10 mm	
Шрафови во дрво (без предходно дупчење)	0-400 min ⁻¹	0-400 min ⁻¹	
Брзина без оптоварување, 1ва брзина	0-1500 min ⁻¹	0-1500 min ⁻¹	
Брзина без оптоварување, 2ра брзина	6000 min ⁻¹	22500 min ⁻¹	
Број на удари, 1ва брзина	30 Nm	30 Nm	
Број на удари, 2ва брзина	38 Nm	38 Nm	
Спрега торк макс (Li-Ion Батерија 2,0 Ah) *1	12 V	12 V	
Спрега торк макс (Li-Ion Батерија 4,0 Ah) *1	1,5-10 mm	1,5-10 mm	
Волтажа на батеријата	1,18 kg	1,24 kg	
Опсег на отворање на бушотина	1,4 kg	1,46 kg	
Тежина според ЕПТА-процедурата 01/2003 (2,0 Ah)			
Тежина според ЕПТА-процедурата 01/2003 (4,0 Ah)			

Информација за бучавата/вибрациите

Измерените вредности се одредени согласно стандардот EN 60 745.

Типично очекувано ниво на звучен притисок на алатот е:

Ниво на звучен притисок. (K=3 dB(A)).....	85 dB (A)	85 dB (A)
Ниво на јачина на звук. (K=3 dB(A)).....	96 dB (A)	96 dB (A)

Носте штитник за уши.

Вкупни вибрациски вредности (векторски збир на трите насоки) пресметани согласно EN 60745.

Вибрациска емисиона вредност a_h

Перкусиско дупчење во бетон	7,9 m/s ²
Несигурност K =	1,5 m/s ²
Дупчење во метал	1,5 m/s ²
Несигурност K =	1,5 m/s ²
Зашрафување	0,4 m/s ²
Несигурност K =	1,5 m/s ²

*1 Мерни во зависност од Milwaukee норма N 877318

ПРЕДУПРЕДУВАЊЕ

Нивото на осцилација наведено во овие инструкции е измерено во согласност со мерните постапки нормирани во EN 60745 и може да биде употребено за меѓусебна споредба на електро-алати. Ова ниво може да се употреби и за привремена проценка на оптоварувањето на осцилацијата.

Наведеното ниво на осцилација ги репрезентира главните намени на електро-алатот. Но, доколку електро-алатот се употребува за други намени, со отстапувачки додатоци или со несоодветно одржување, нивото на осцилација може да отстапи. Тоа може значително да го зголеми оптоварувањето на осцилацијата за време на целиот работен период.

За прецизна проценка на оптоварувањето на осцилацијата предвид треба да бидат земени и времињата, во коишто апаратот е исклучен или работи, но фактички не се употребува. Тоа може значително да го намали оптоварувањето на осцилацијата за време на целиот работен период.

Утврдете дополнителни безбедносни мерки за заштита на операторот од влијанието на осцилациите, како на пример: одржување на електро-алатот и на додатоци кон електро-алатот, одржување топли раце, организација на работните процеси.

⚠ ПРЕДУПРЕДУВАЊЕ! Прочитајте ги сите безбедносни упатства и инструкции.

Заборавање на безбедносните упатства и инструкции можат да предизвикаат електричен удар, пожар и/или тешки повреди.

Сочувајте ги сите безбедносни упатства и инструкции за во иднина.

УПАТСТВО ЗА УПОТРЕБА БОРМАШИНА

Носете штитник за уши. Изложеноста на бука може да предизвика губење на слухот.

Држете го електричниот алат за издадените површини при изведување на операции при кои алатот за сечење можат да дојдат во контакт со скриени жици. Контакт со жица под напон исто така ќе направи проводници од металните делови и оној кој ракува со алатот ќе доживее струен удар.

При реализација на работи, при кои завртката може да погоди скриени водови на струја, држете го апаратот на изолираните површини за држење.

Контактот на навртката со вод под напон може да ги стави металните делови од апаратот под напон и да доведе до електричен удар.

Прашината и струготините не смеат да се одстрануваат додека е машината работи.

Кога работите на сидови, таван или под внимавате да ги избегнете електричните, гасните и водоводни инсталации.

Отстранете ја батеријата пред да започнете да ја користите машината.

Не ги оставајте искористените батерии во домашниот отпад и не горете ги. Дистрибутерите на Милвоки ги собираат старите батерии, со што ја штитат нашата околина.

Не ги чувајте батериите заедно со метални предмети (ризик од краток спој).

Користете исклучиво Систем М 12 за полнење на батерии од М 12 систем. Не користете батерии од друг систем.

Киселинчат од оштетените батерии може да истече при екстреман напон или температури. Доколку дојдете во контакт со исатата, измијте се веднаш со сапун и вода. Во случај на контакт со очите плакнете ги убаво најмалку 10 минути и задолжително одете на лекар.

СПЕЦИФИЦИРАНИ УСЛОВИ НА УПОТРЕБА

M12 BDD: Дупчалката на батерија/шрафцигерот е дизајниран за дупчење и зашрафување, независна употреба далеку од главното напојување

M12 BPD: Перкусионата дупчалка/шрафцигер со електронска батерија е дизајниран за дупчење, перкусионо дупчење, како и шрафцигер при независна употреба далеку од главното напојување.

Не го користете овој производ на било кој друг начин освен прописаниот за нормална употреба.

ЕУ-ДЕКЛАРАЦИЈА ЗА СООБРАЗНОСТ

о своја сопствена одговорност изјавуваме дека под "Технички податоци" опишаниот производ е во склад со сите релевантни прописи од регулативата 2011/65/EU (RoHS), 2006/42/EC, 2004/108/EC и следните хармонизирачки нормативни документи:

EN 60745-1:2009 + A11:2010
EN 60745-2-1:2010
EN 60745-2-2:2010
EN 55014-1:2006 + A1:2009 + A2:2011
EN 55014-2:1997 + A1:2001 + A2:2008

Winnenden, 2013-03-12

Alexander Krug

Alexander Krug
Managing Director



Ополномоштен за составување на техничката документација.
Techtronic Industries GmbH
Max-Eyth-Straße 10
71364 Winnenden
Germany

БАТЕРИИ

Нови комплекти батерии постигнуваат целосен капацитет по 4-5 циклуса на полнење и празнење. Подолг период неупотребувани комплекти батерии да се наполнат пред употреба.

Температура повисока од 50°C (122°F) го намалуваат траењето на батериите. Избегнувајте подолго изложување на батериите на високи температури или сонце (ризик од прегревање).

Клемите на полначот и батериите мора да бидат чисти. За оптимален работен век, по употреба батериите мора да бидат целосно наполнети.

За можно подолг век на траење, апаратите после нивното полнење треба да бидат извадени од апаратот за полнење на батериите.

Во случај на складирање на батеријата подолго од 30 дена: Акумулаторот да се чува на температура од приближно 27°C и на суво место.

Акумулаторот да се складира на приближно 30%-50% од состојбата на наполнетост.

Акумулаторот повторно да се наполни на секои 6 месеци.

ЗАШТИТА ОД ПРЕОПТЕРЕТУВАЊЕ НА БАТЕРИЈАТА

При преоптеретување на батеријата како резултат на мошне висока потрошувачка на струја, на пример екстремно високи вртежни моменти, ненадејно стопирање или краток спој, електро-алатот вибрира 5 секунди, приказот за полнење трепка и електро-алатот самостојно се исклучува.

За повторно вклучување ослободете го притискачот на

прекинувачот, а потоа повторно вклучете. Во случај на екстремни оптоварувања батеријата се загрева премногу. Во таков случај трепкаат сите ламбички од приказот за полнење сè додека батеријата не се излади. По гаснење на приказот за полнење може да се продолжи со работа.

ОДРЖУВАЊЕ

Користете само Milwaukee додатоци и резервни делови. Доколку некои од компонентите кои не се опишани треба да бидат заменети, Ве молиме контактирајте ги сервисните агенти на Milwaukee (консултирајте ја листата на адреси).

При потреба може да се побара експлозионен цртеж на апаратот со наведување на машинскиот тип и шестоцифрениот број на табличката со утичкот или во Вашата корисничка служба или директно кај Techtronic Industries GmbH, Max-Eyth-Straße 10, 71364 Winnenden, Германија.

СИМБОЛИ



Ве молиме пред да ја стартувате машината обрнете внимание на упатствата за употреба.



Извадете го батерискиот склоп пред отпочнување на каков и да е зафат врз машината.



Не ги фрлајте електричните апарати заедно со другиот домашен отпад! Европска регулатива 2002/96/EC за одлагање на електрична и електронска опрема и се применува согласно националните закони. Електричните апарати кои го достигнале крајот на својот животен век мора да бидат одвоено собрани и вратени во соодветна рециклажна установа.

生产号.....	4419 01 01.....	4419 16 01.....
	...000001-999999	...000001-999999
钻孔直径在钢材.....	10 mm.....	10 mm
钻孔直径在木材.....	22 mm.....	22 mm
钻孔直径在砖块和石灰砂石.....	-.....	10 mm
木材螺丝（不必先钻孔）.....	6 mm.....	6 mm
第一档的无负载转速.....	0-400 min ⁻¹	0-400 min ⁻¹
第二档的无负载转速.....	0-1500 min ⁻¹	0-1500 min ⁻¹
敲打次数在第一齿轮.....	-.....	6000 min ⁻¹
敲打次数在第二齿轮.....	-.....	22500 min ⁻¹
扭力(蓄电池 (Li-Ion 1.5 Ah) *1.....	30 Nm.....	30 Nm
扭力(蓄电池 (Li-Ion 3.0 Ah) *1.....	38 Nm.....	38 Nm
蓄电池电压.....	12 V.....	12 V
夹头张开范围.....	1,5-10 mm.....	1,5-10 mm
重量符合EPTA – Procedure01 / 2003 (2,0 Ah).....	1,18 kg.....	1,24 kg
重量符合EPTA – Procedure01 / 2003 (4,0 Ah).....	1,4 kg.....	1,46 kg

噪音/振动信息

本测量值符合 EN 60 745 条文的规定。

本机器的音压值通常为

音压值 (K=3dB(A)).....	85 dB (A).....	85 dB (A)
音量值.....	96 dB (A).....	96 dB (A)

请戴上护耳罩！

依欧盟EN 60745 标准确定的振荡总值（三方向矢量和）。

ah-振荡发射值		
混凝土冲击式穿孔.....		7,9 m/s ²
K-不可靠性 =.....		1,5 m/s ²
金属钻孔.....	1,5 m/s ²	1,5 m/s ²
K-不可靠性 =.....	1,5 m/s ²	1,5 m/s ²
拧螺丝.....	0,4 m/s ²	0,4 m/s ²
K-不可靠性 =.....	1,5 m/s ²	1,5 m/s ²

*1 根据 Milwaukee N 877318 号检验标准所测得

注意

本规程列出的依欧盟EN 60745 标准一项标准测量方法测量的振荡级也可用于电动工具比较并适合于临时振荡负荷估计。该振荡级代表电动工具的主要应用。电动工具的其他应用，不正确的工作工具或欠缺维护可造成振荡级偏差。此可明显提高总工作期间的振荡负荷。正确地估计一定工作期间的振荡负荷也要考虑到工具关闭或接通而不使用的期间。此可明确减少总工作期间的振荡负荷。为提高操作人员对振荡作用的保护得规定补充安全措施：电动工具及工作工具的维护，温手，工作过程组织等。

⚠ 注意！ 务必仔细阅读所有安全说明和安全指示（应注意阅读附上的小册子）。如未确实 遵循警告提示和指示，可能导致电击、火灾并且/ 或其他的严重伤害。妥善保存所有的警告提示和指示，以便日后查阅。

特殊安全指示电钻

请戴上耳罩。工作噪音会损坏听力。

切割工具会碰到隐藏电线或自己的电缆时，得将器械握住于其绝缘把手表面。

切割工具接触到通电电线可将电压加到器械的金属部分并造成电击。

螺丝可能接触隐藏的电线时，得将机器握住于其绝缘把手表面。 螺丝接触带电电线，会将电导向其他金属部位并引起电击。

如果机器仍在运转，切勿清除其上的木屑或金属碎片。

在墙壁、天花板或地板工作时，必须特别注意被埋埋的电线、瓦斯管和水管。

在机器上进行任何修护工作之前，先拿出蓄电池。

损坏的蓄电池不可以丢入火中或一般的家庭垃圾中。Milwaukee 提供了符合环保要求的回收项目： 请向您的专业经销商索取有关详情。

蓄电池不可以和金属物体存放在一起（可能产生短路）。

M 12 系列的蓄电池只能和 M 12 系列的充电器配合使用。不可以使用本充电器为其它系列的电池充电。

在过度超荷或极端的温度下，可能从损坏的蓄电池中流出液体。如果触摸了此液体，必须马上使用肥皂和大量清水冲洗。如果此类流体侵入眼睛，马上用清水彻底清洗眼睛（至少冲洗 10 分钟），接着即刻就医治疗。

正确地使用机器

M12 BDD: 可以使用本电动螺丝起子钻进行钻孔和松、紧螺丝作业，并且不需连接电源。

M12 BPD: 可以使用本电动冲击螺丝起子钻进行正常钻、震动钻和松、紧螺丝作业，并且不需连接电源。

请依照本说明书的指示使用此机器。

蓄电池

新的蓄电池经过 4 - 5 次的充、放电后，可达到最大的容量。长期存放的蓄电池，必须先充电再使用。

如果周围环境的温度超过摄氏 50 度，蓄电池的功能会减弱。勿让蓄电池长期暴露在阳光或暖气下。

充电器和蓄电池的接触点都必须保持干净。

为延长使用寿命，请在使用后给电池充满电。

为确保最长使用寿命，充电后应把蓄电池从充电器取出。

蓄电池储存时间长于30日：

在环境温度27oC左右干燥处储存蓄电池。

在百分之30至50充电状态储存蓄电池。

每6月重新充电。

蓄电池超载保护

极端高扭矩，钻头被卡住，突然停止或短路等情况下特别高电流消耗所造成蓄电池超载时，充电指示灯闪亮，并电动工具自动断开。

为继续工作，放开开关按钮并再接通。

极端超载时，蓄电池过热。这种情况下充电指示灯都闪亮直到蓄电池温度下降。充电指示灯不亮时，可继续工作。

维修

只能使用 Milwaukee 的配件和 Milwaukee 的零件。缺少检修说明的机件如果损坏了，必须交给 Milwaukee 的顾客服务中心更换（参考手册“保证书 / 顾客服务中心地址”）。

如果需要机器的分解图,可以向您的顾客服务中心或直接向 Techtronic Industries GmbH, Max-Eyth-Strasse 10, 71364 Winnenden, Germany 联络。案件时必须提供以下资料: 机型和机器铭牌上的六位数码码。

符号



使用本机器之前请详细阅读使用说明书。



在机器上进行任何修护工作之前，先拿出蓄电池。



不可以把损坏的电动工具丢弃在家庭垃圾中！根据被欧盟各国引用的有关旧电子机器的欧洲法规 2002/96/EC，必须另外收集旧电子机器，并以符合环保规定的方式回收再利用。

Copyright 2013
Techtronics Industries GmbH
Max-Eyth-Straße 10
71364 Winnenden
Germany
+49 (0) 7195-12-0



(05.13)

4931 4144 43