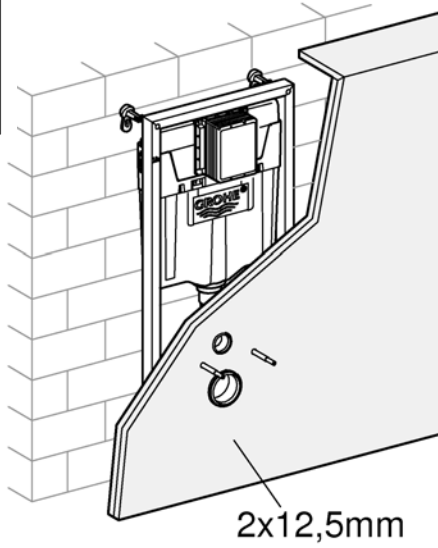
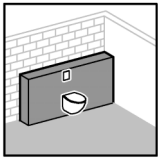




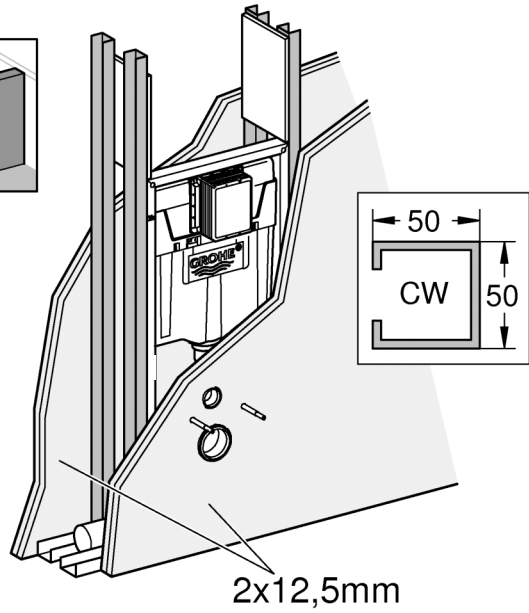
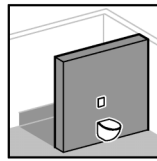


2 - 4



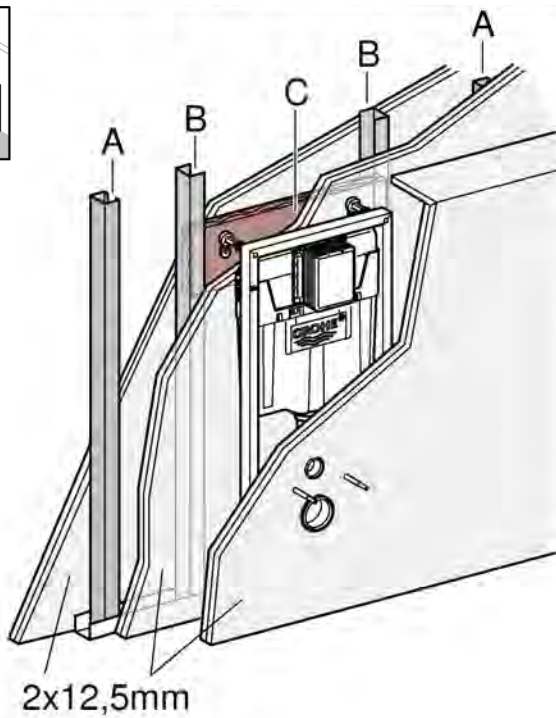
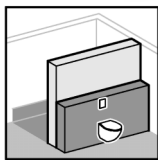
2x12,5mm

5 - 6

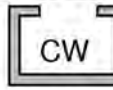




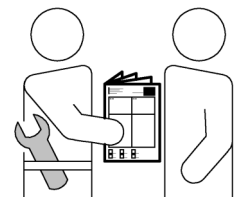
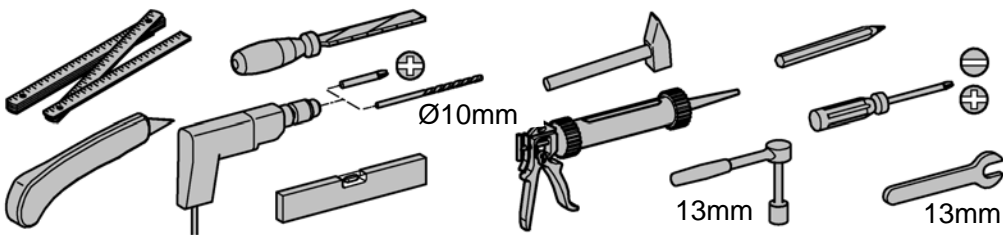
2x12,5mm

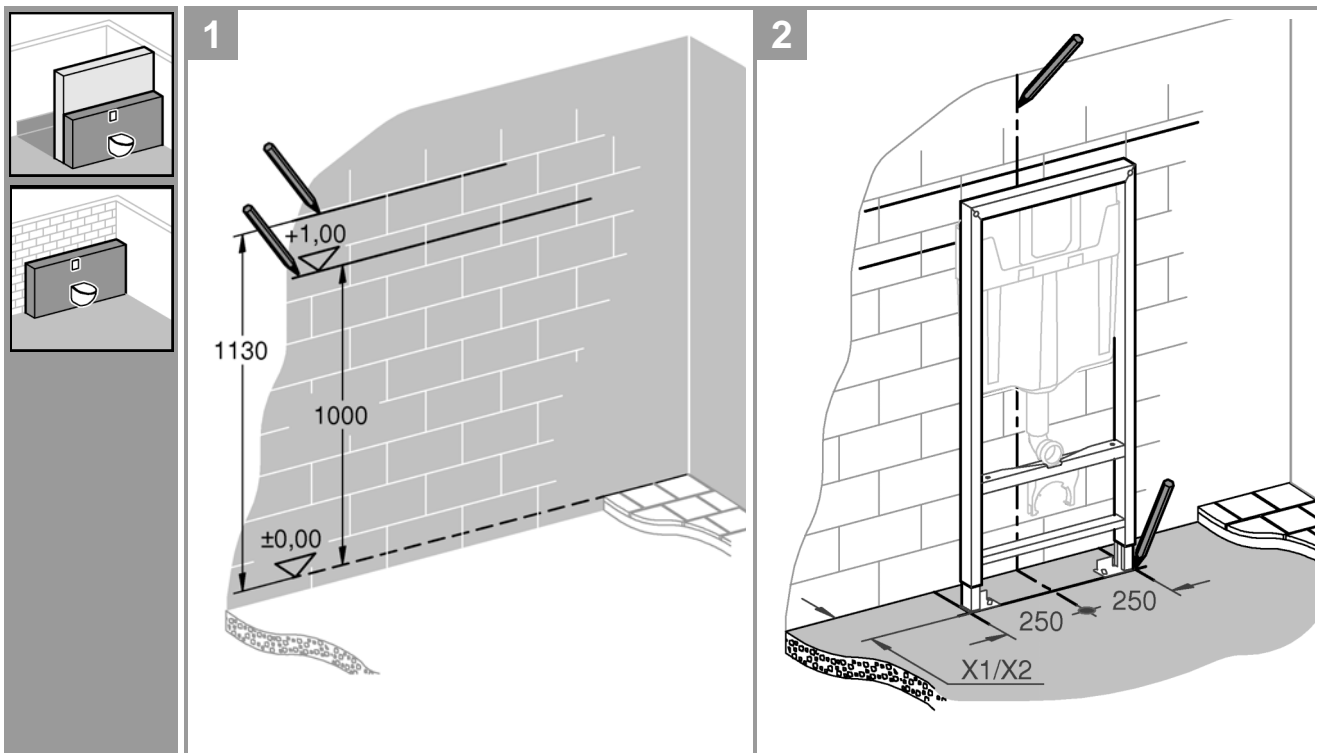
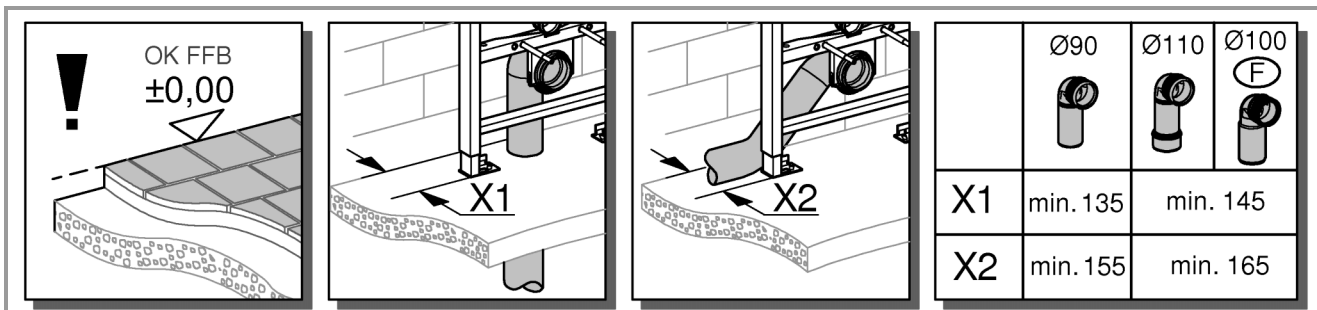
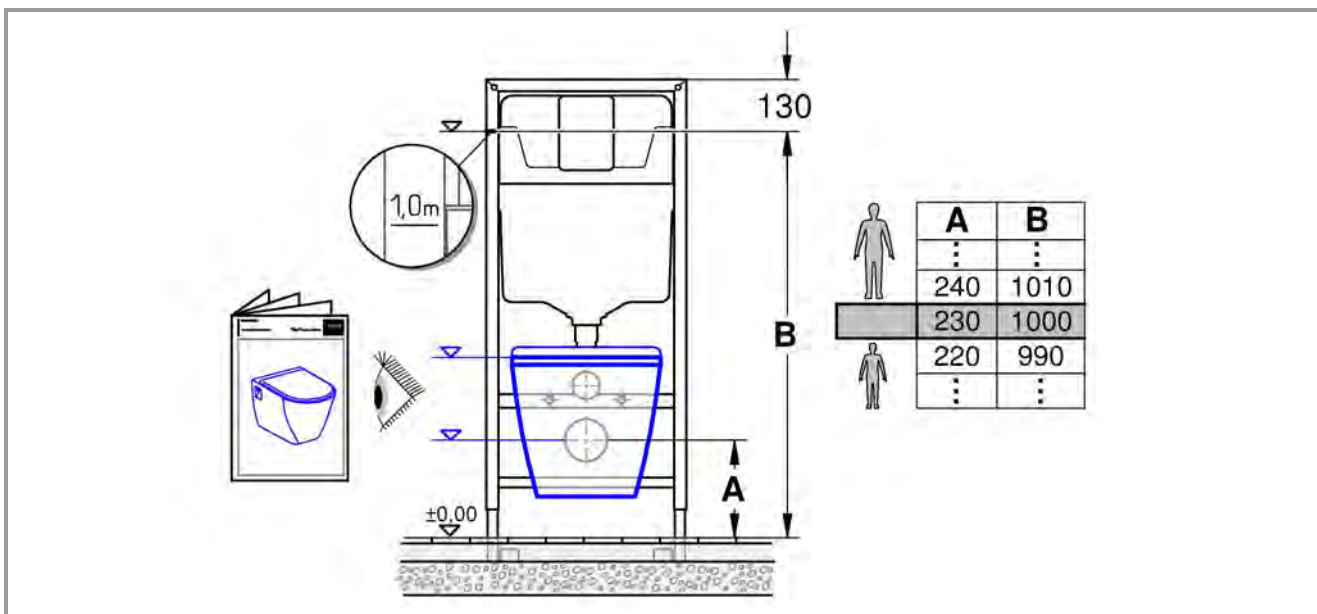
2 - 4

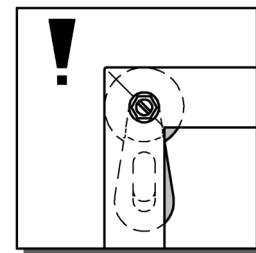
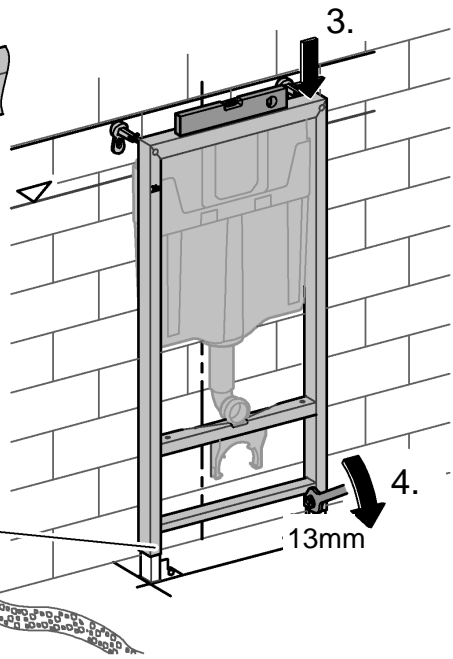
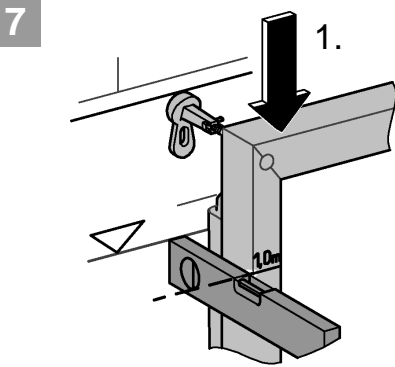
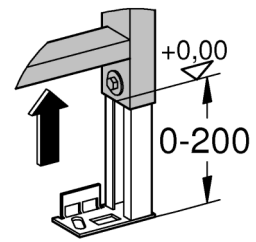
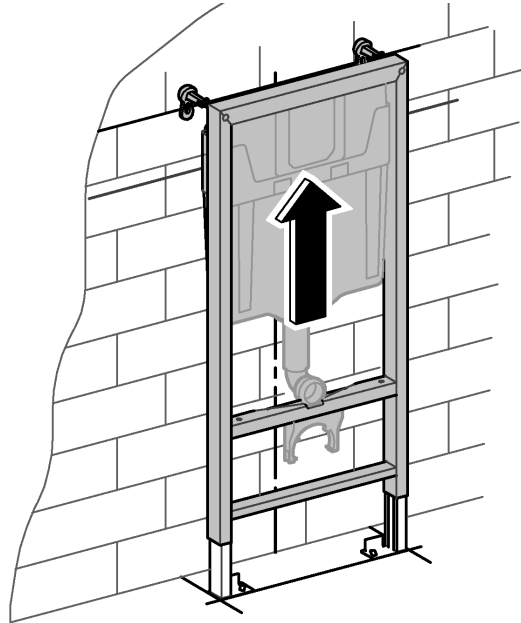
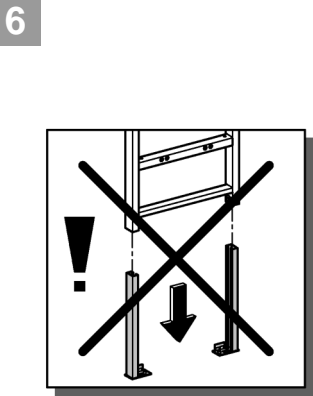
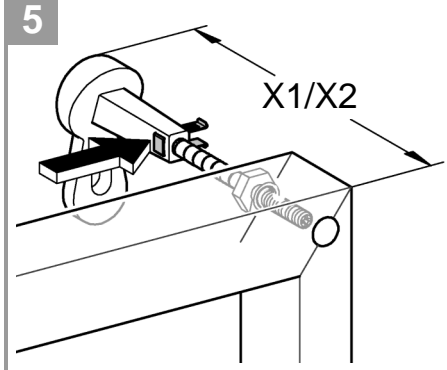
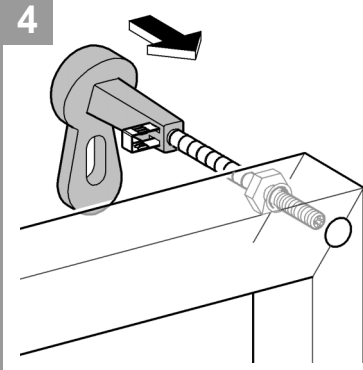
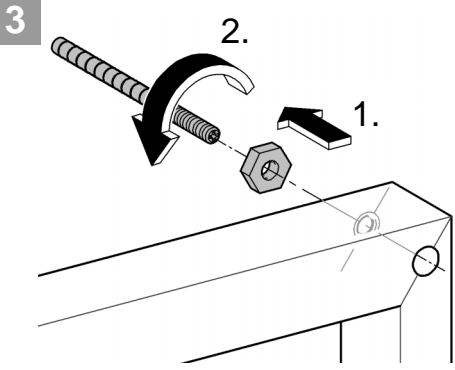


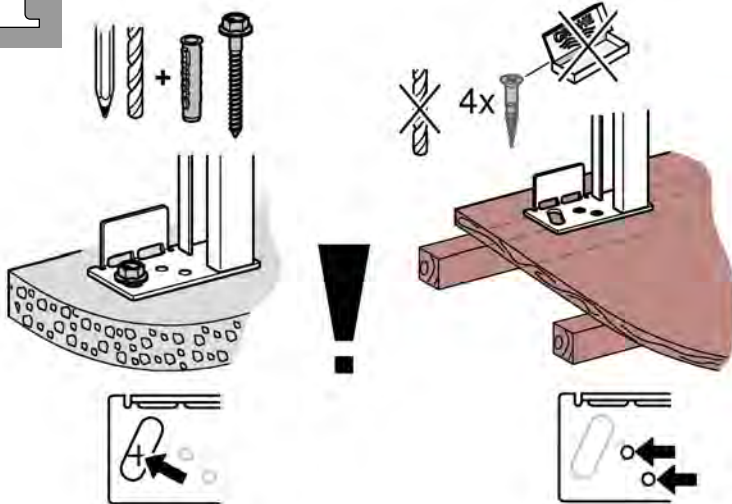
2x12,5mm

A	B	C
		
50x50x0,6	50x40x2	300x620x24
75x50x0,6	75x40x2	

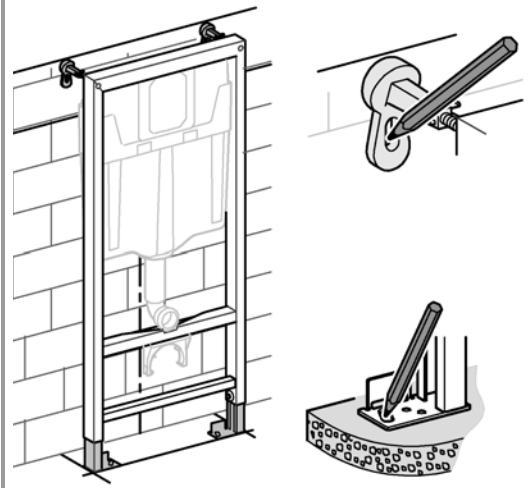




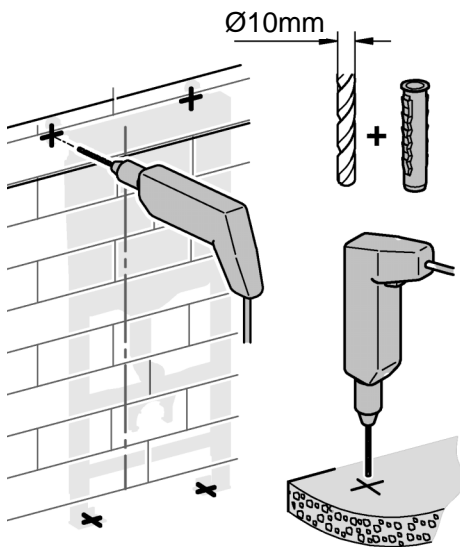




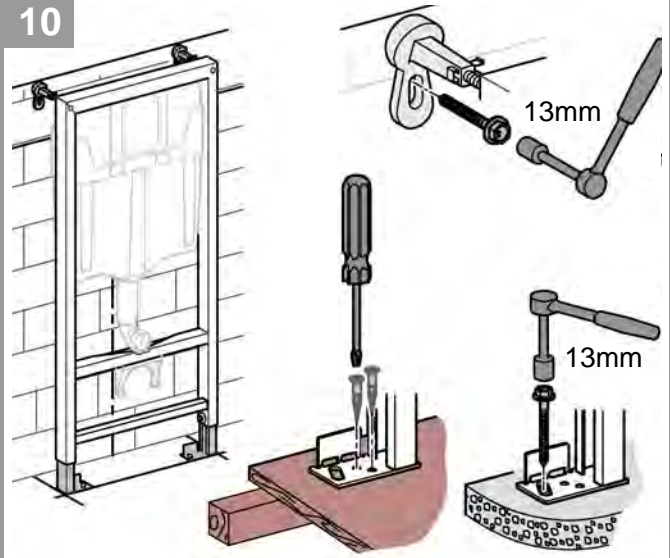
8



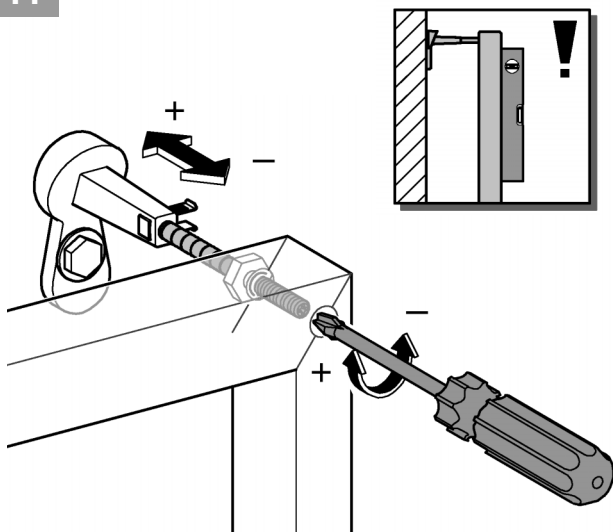
9



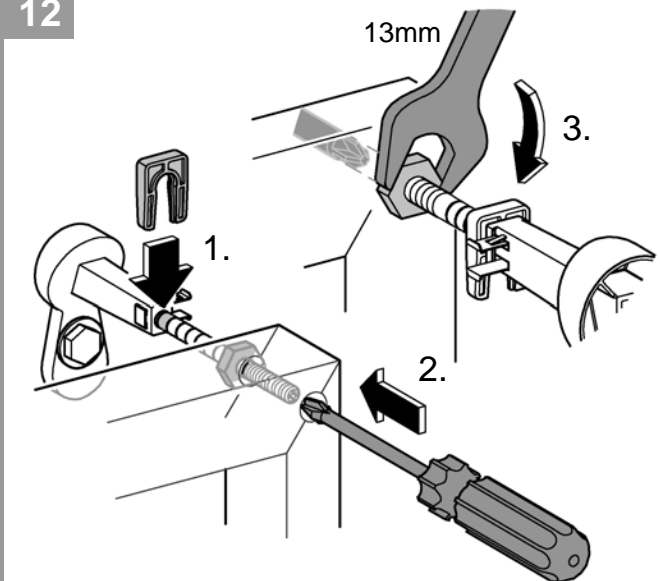
10

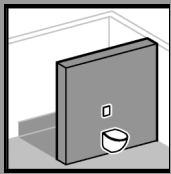
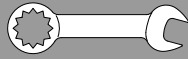


11

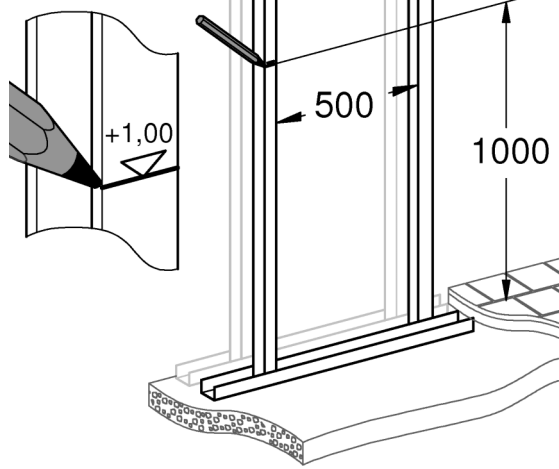


12

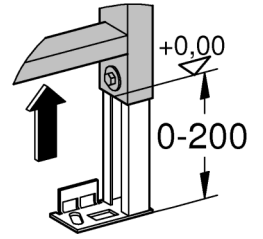
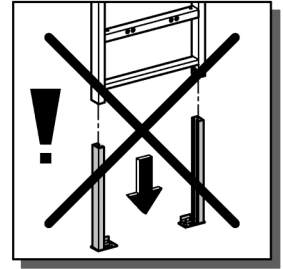
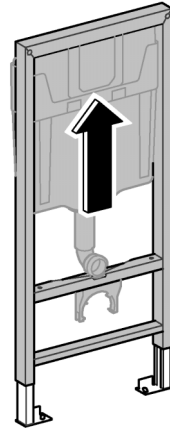




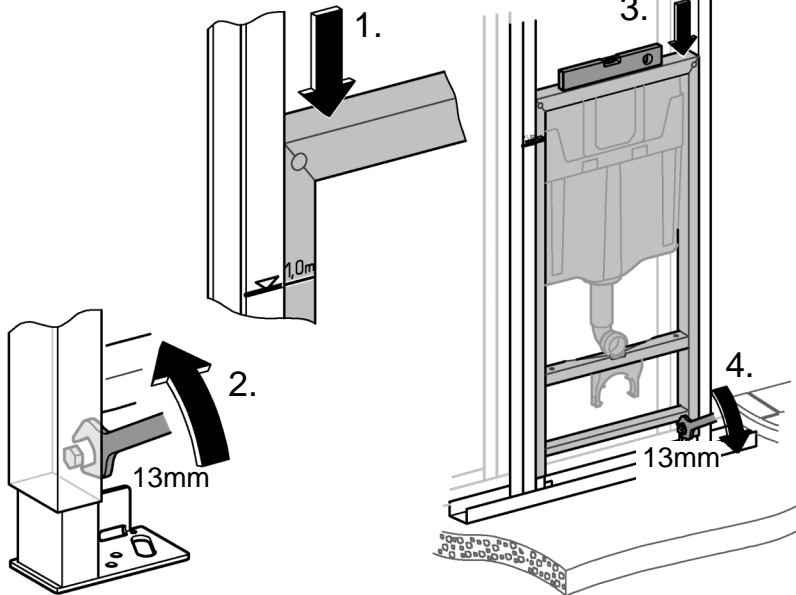
1



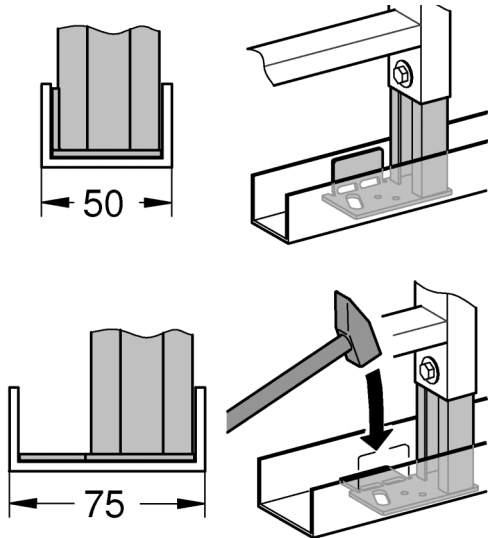
2



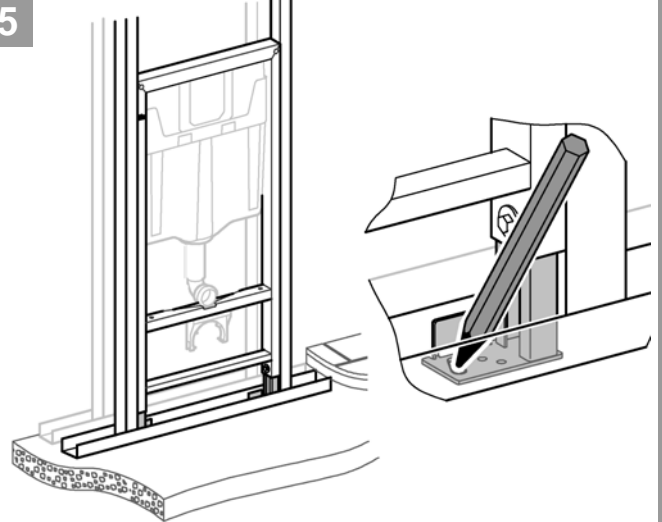
3



4



5

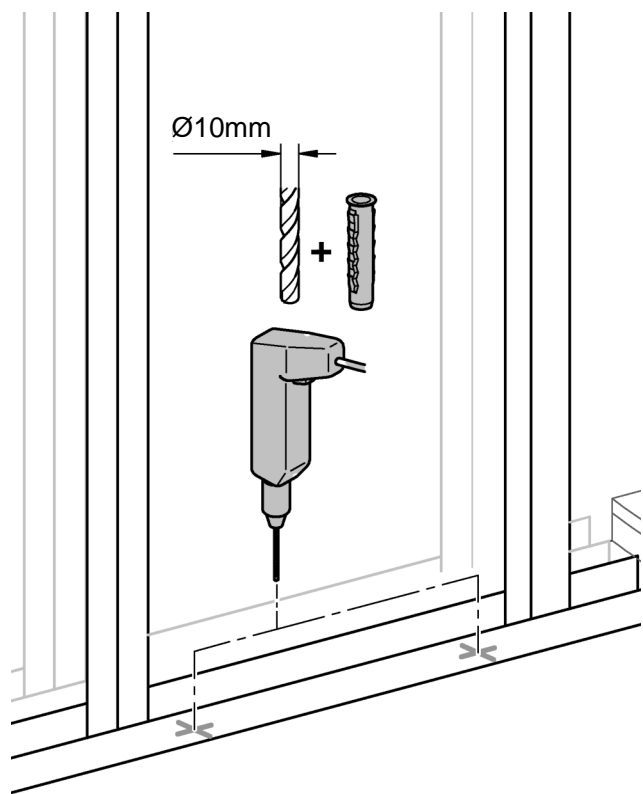


5

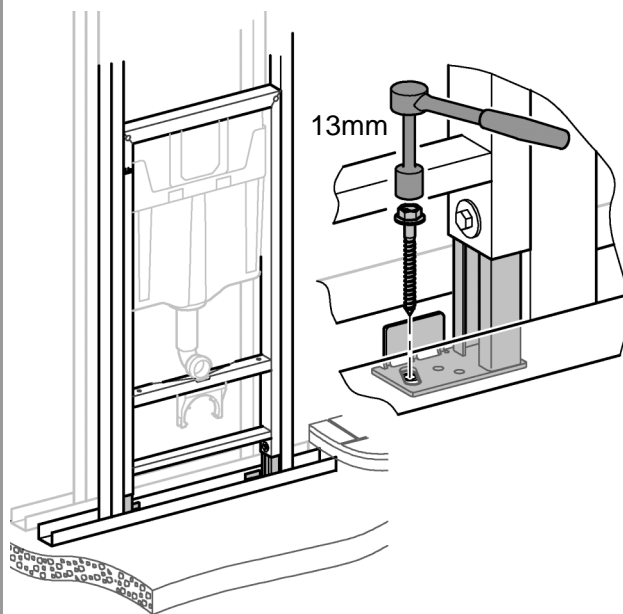




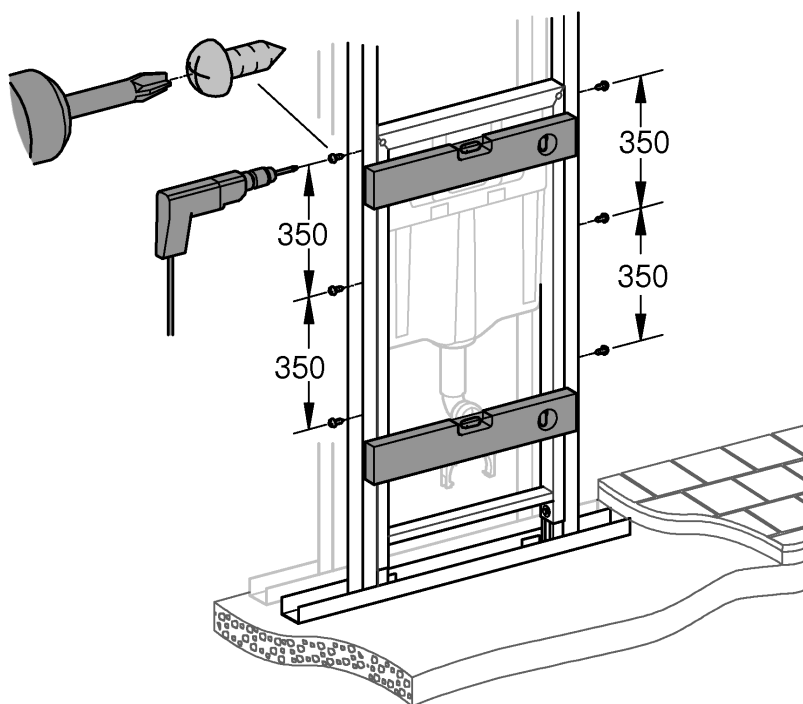
6

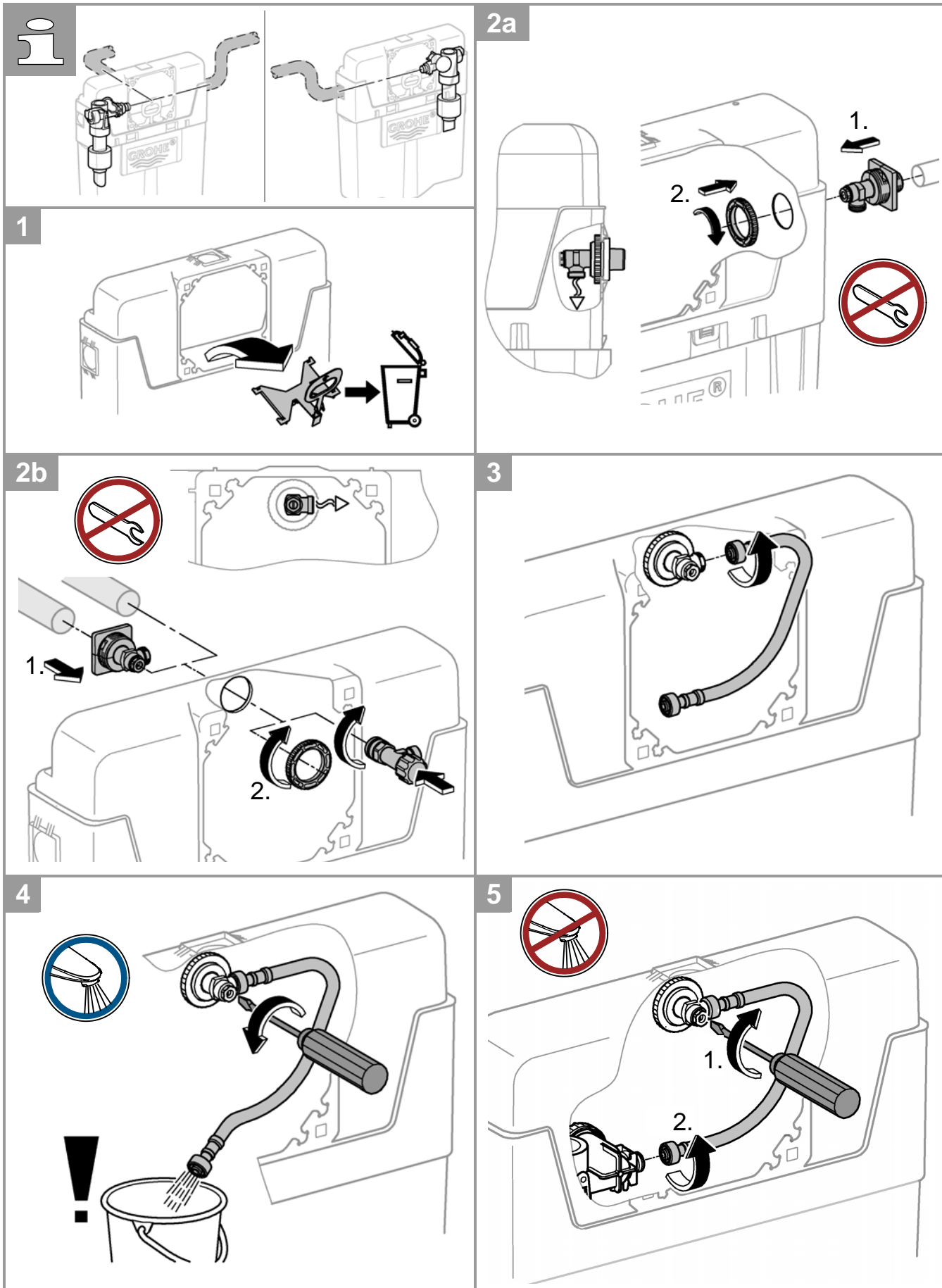


7

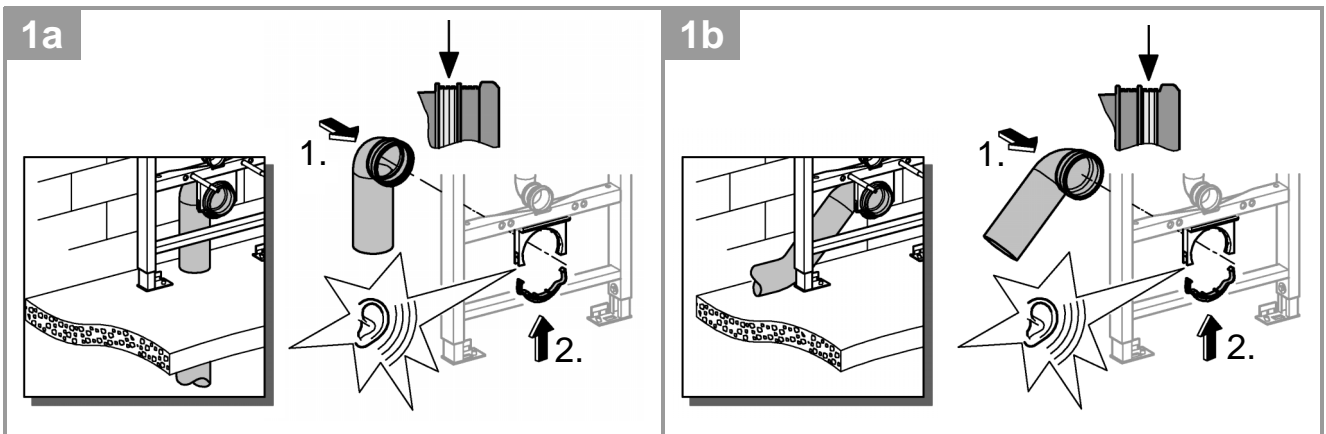
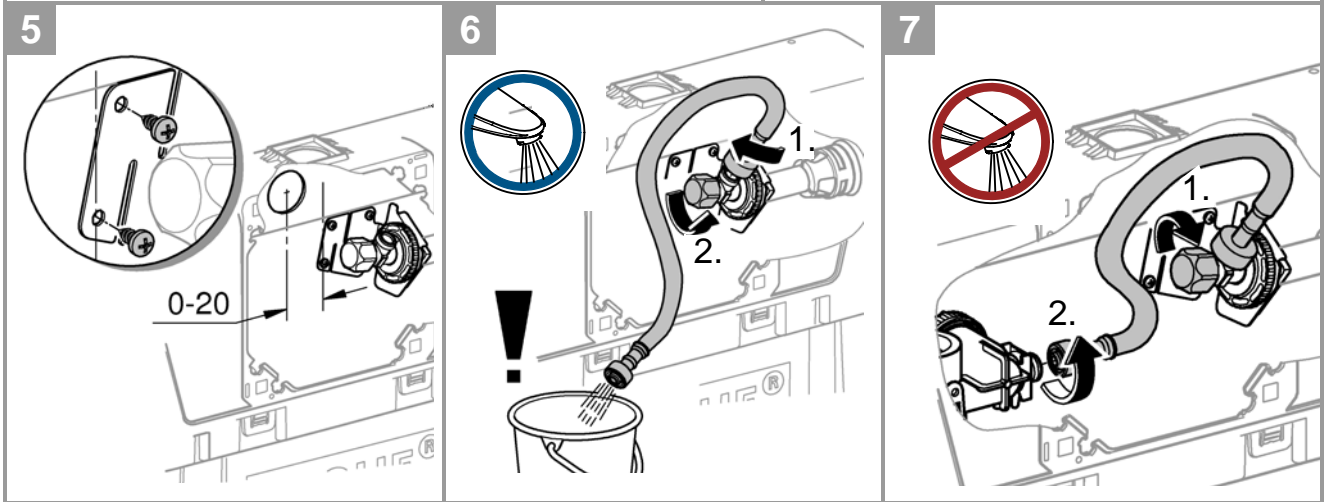
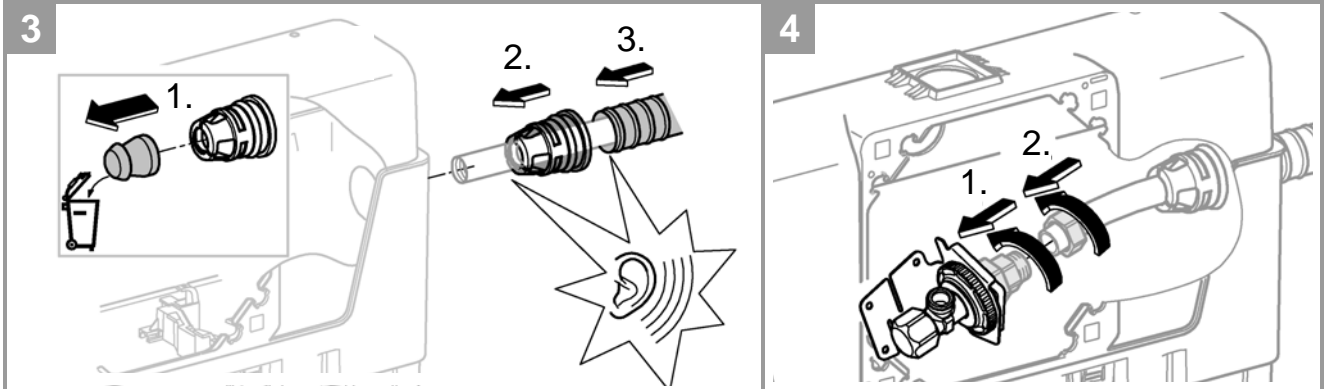
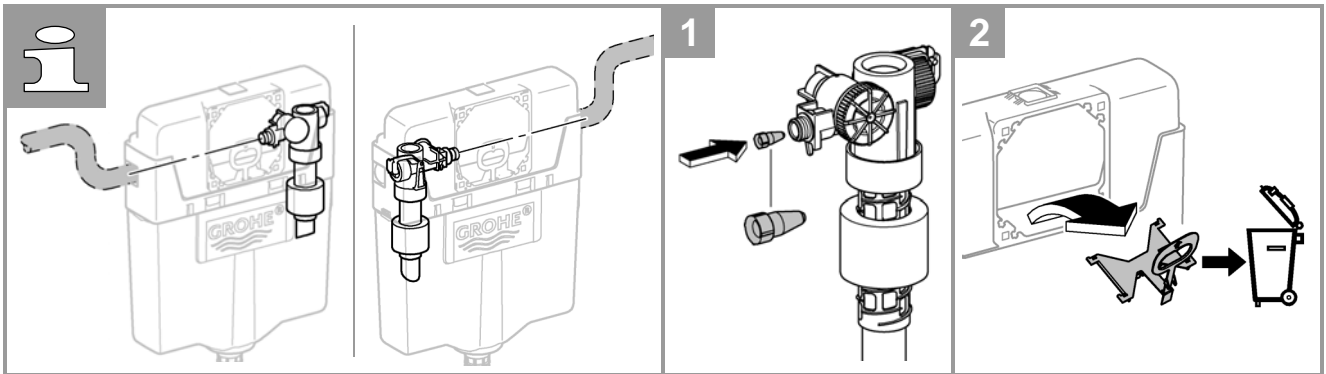


8



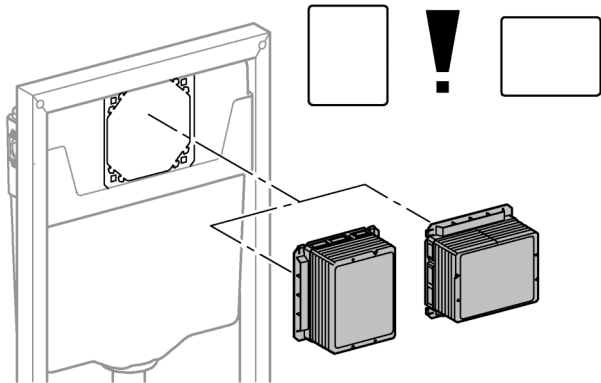
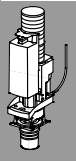




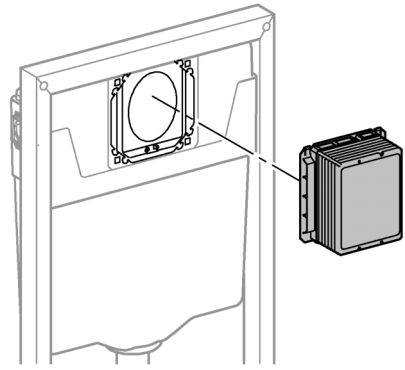




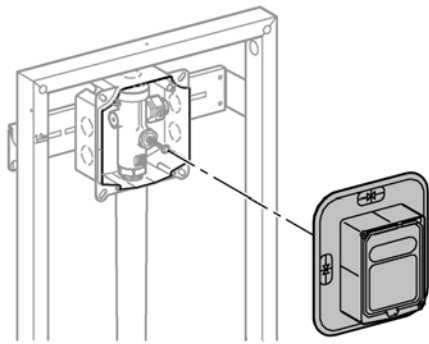
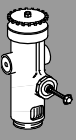
2a



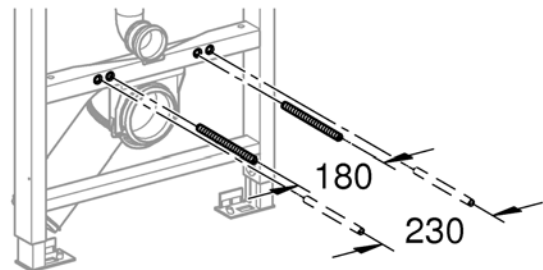
2b



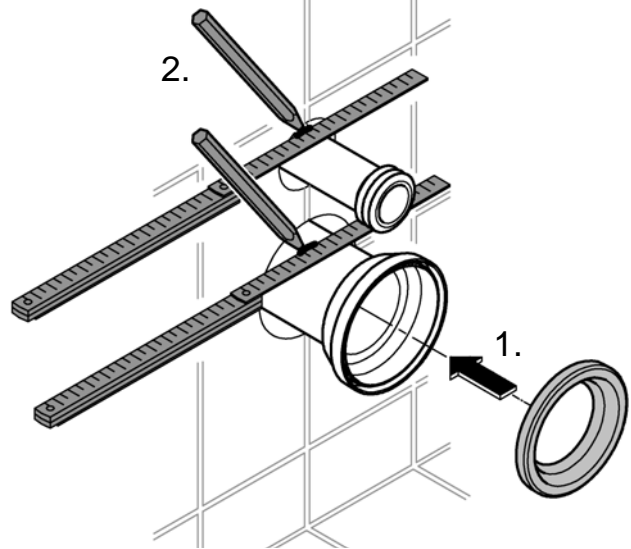
2c



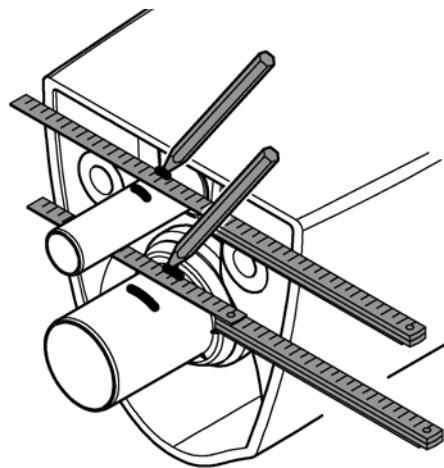
3



1

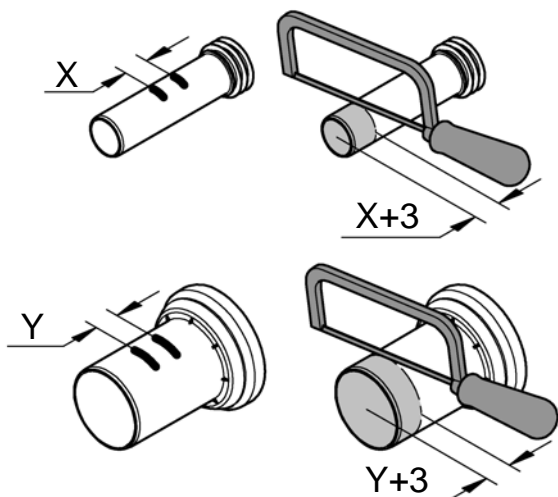


2

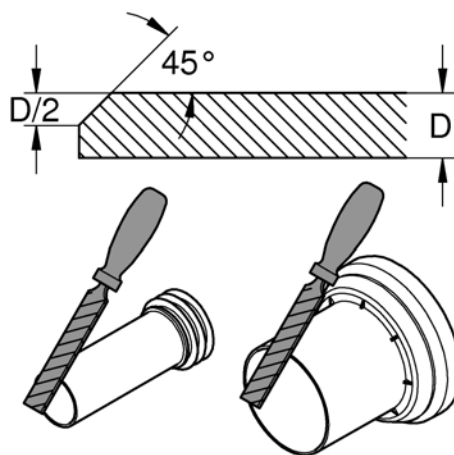




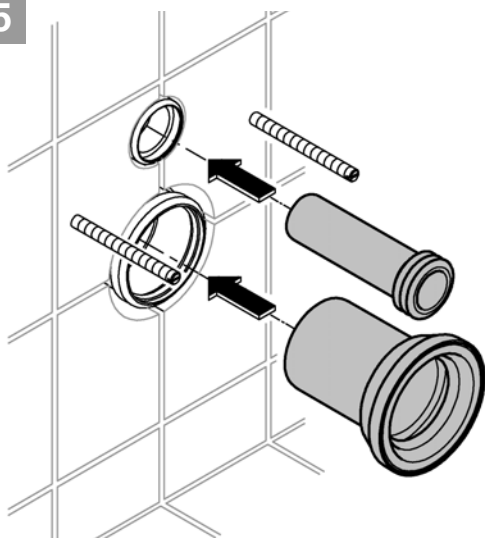
3



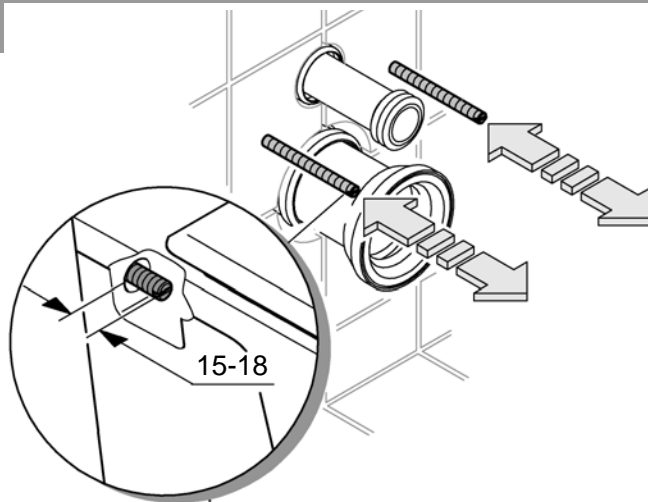
4



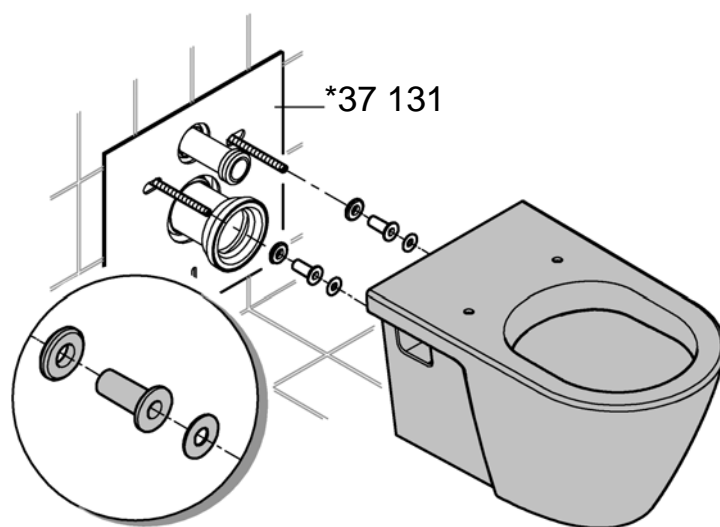
5



6

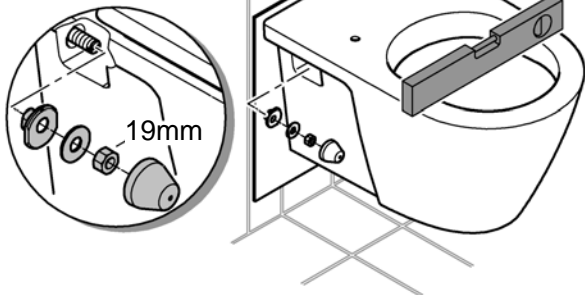


7

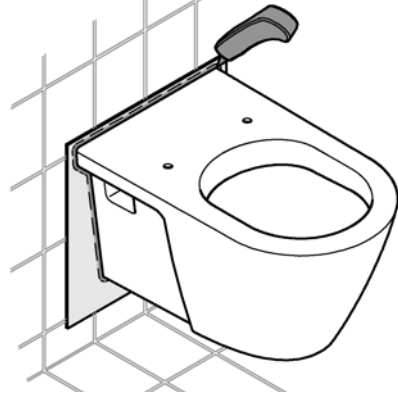




8



9



10

