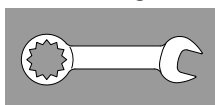


1 - 2



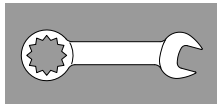
2 - 6



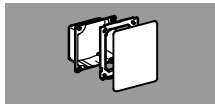
7 - 8



8 - 11

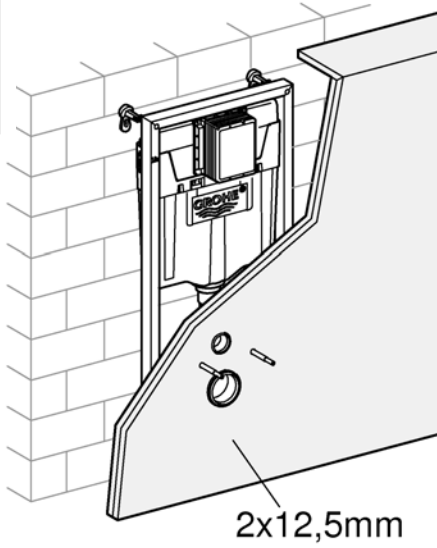
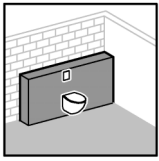


11



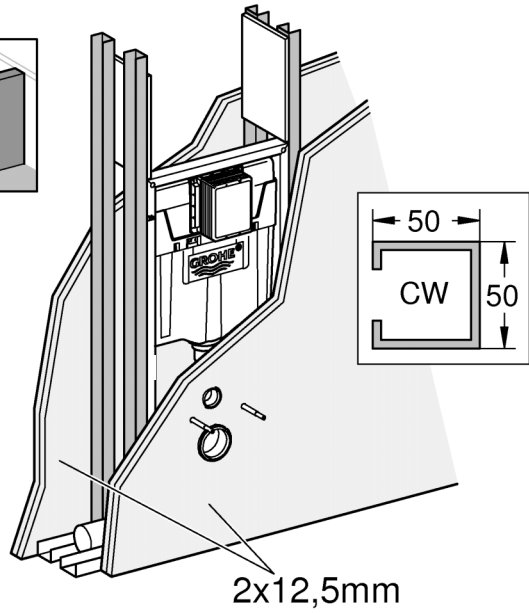
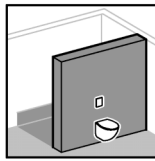


2 - 4



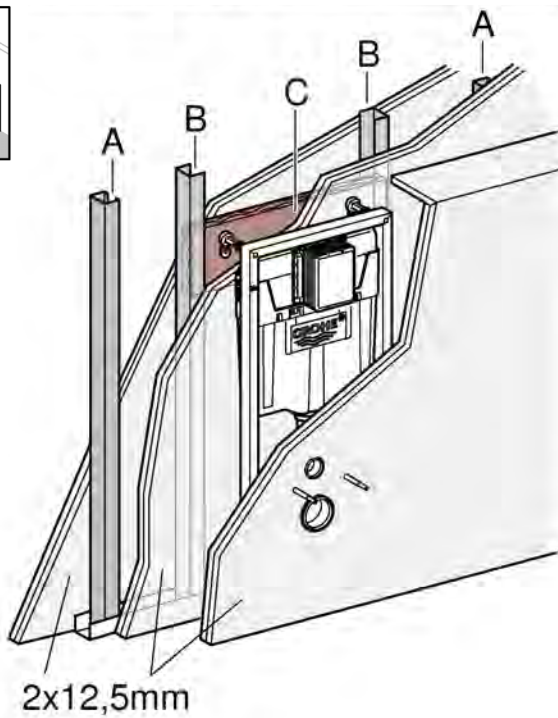
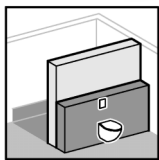
2x12,5mm

5 - 6



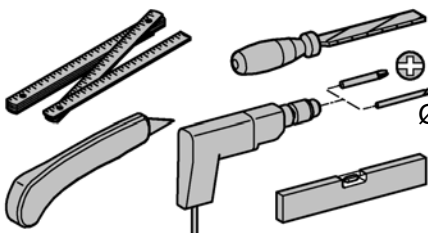
2x12,5mm

2 - 4

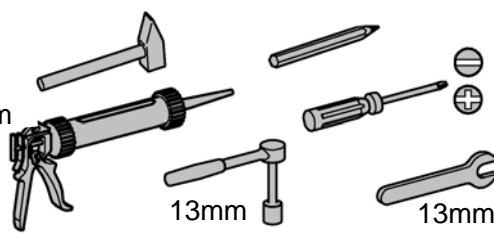


2x12,5mm

A	B	C
50x50x0,6	50x40x2	300x620x24
75x50x0,6	75x40x2	

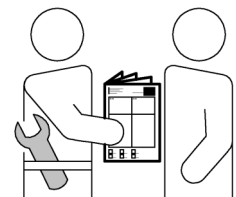


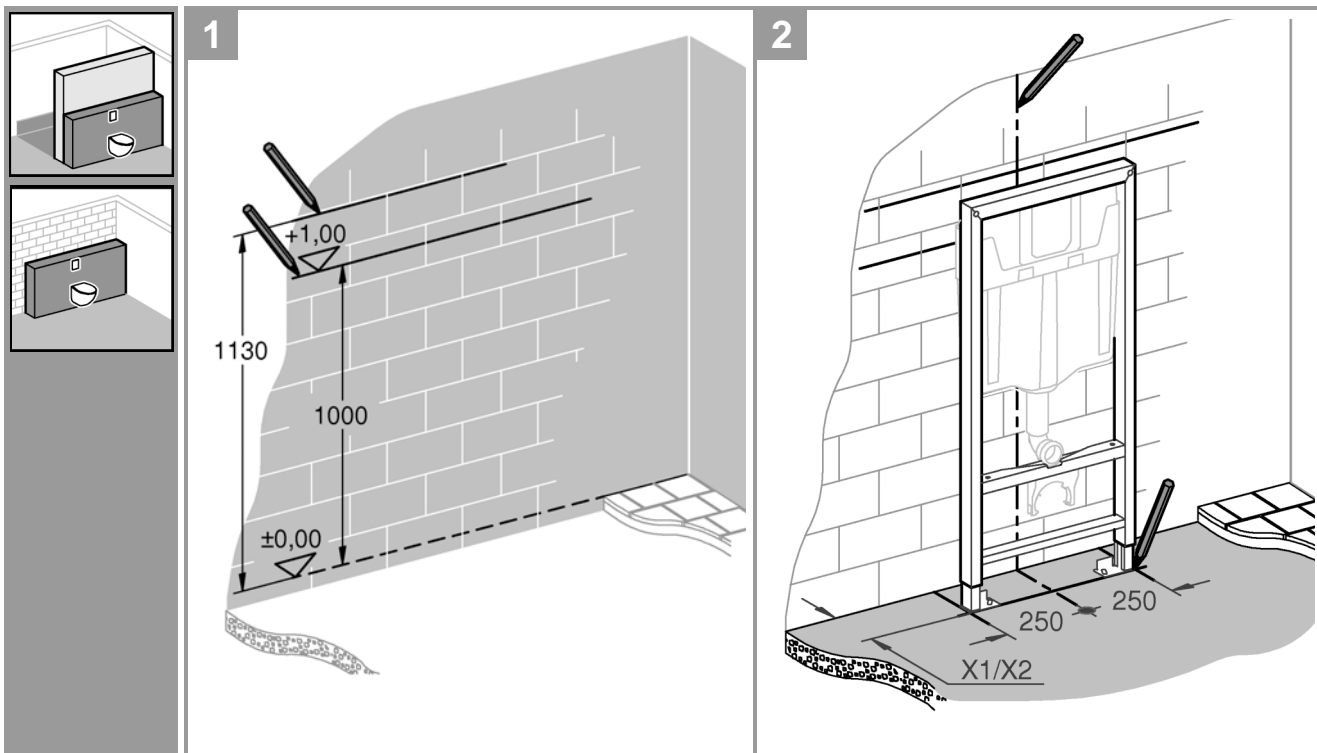
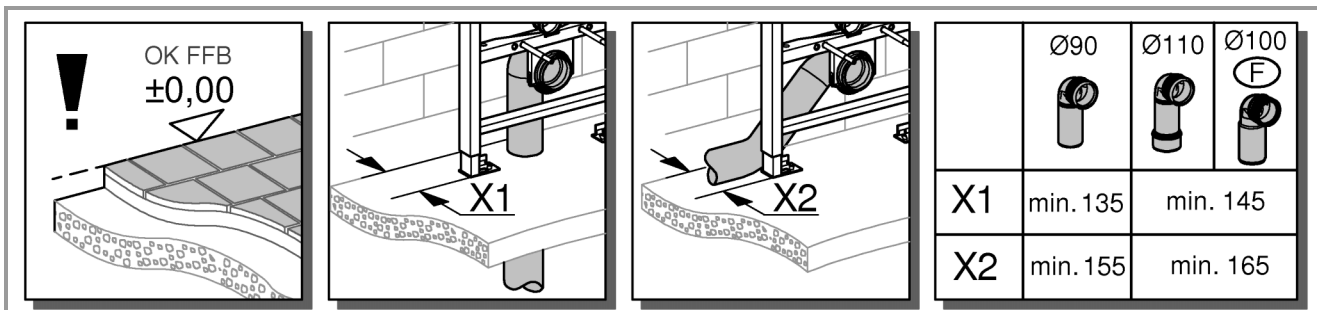
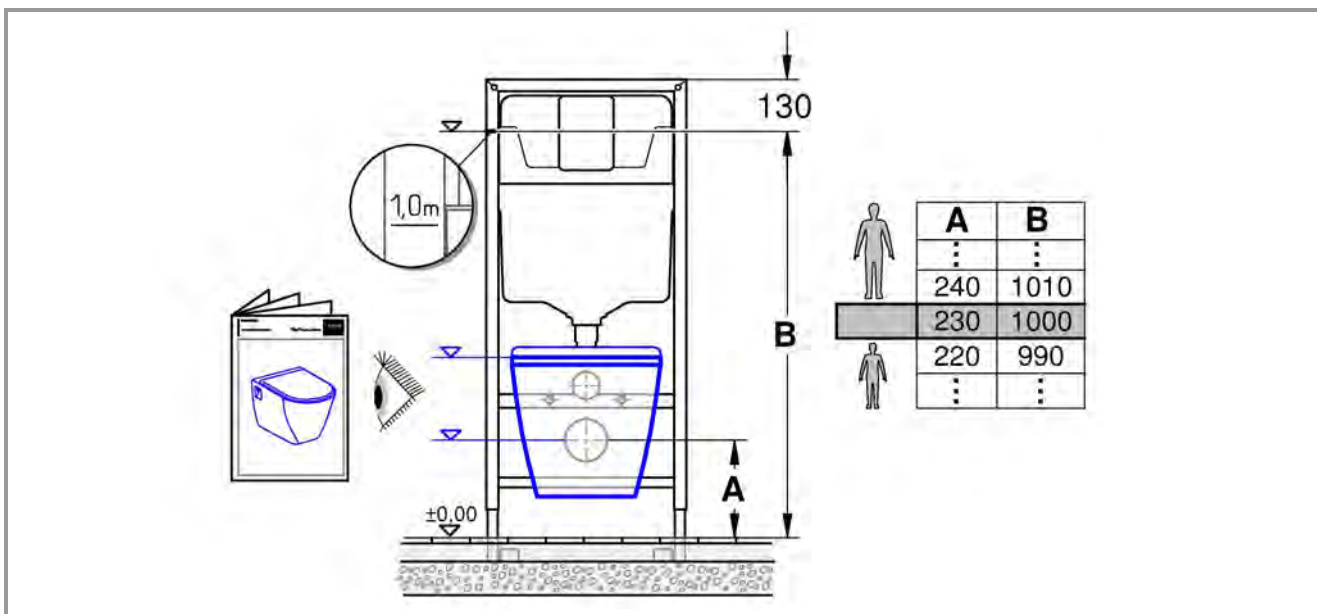
Ø10mm

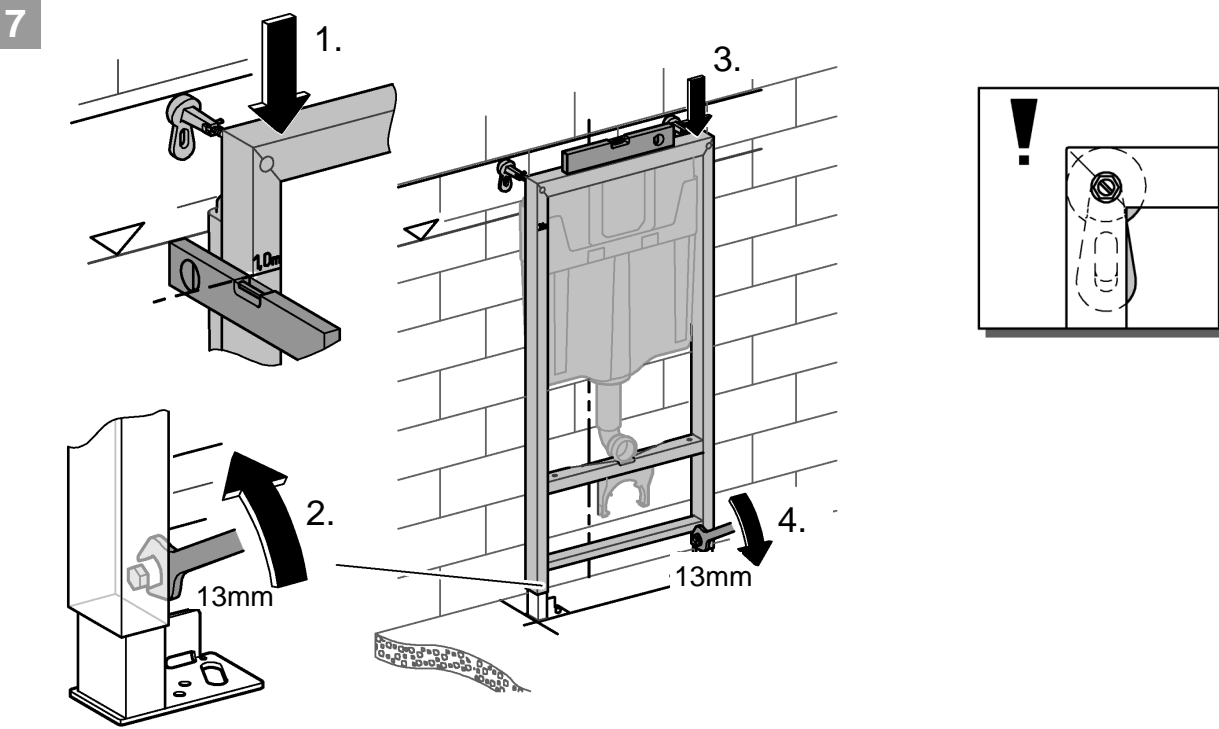
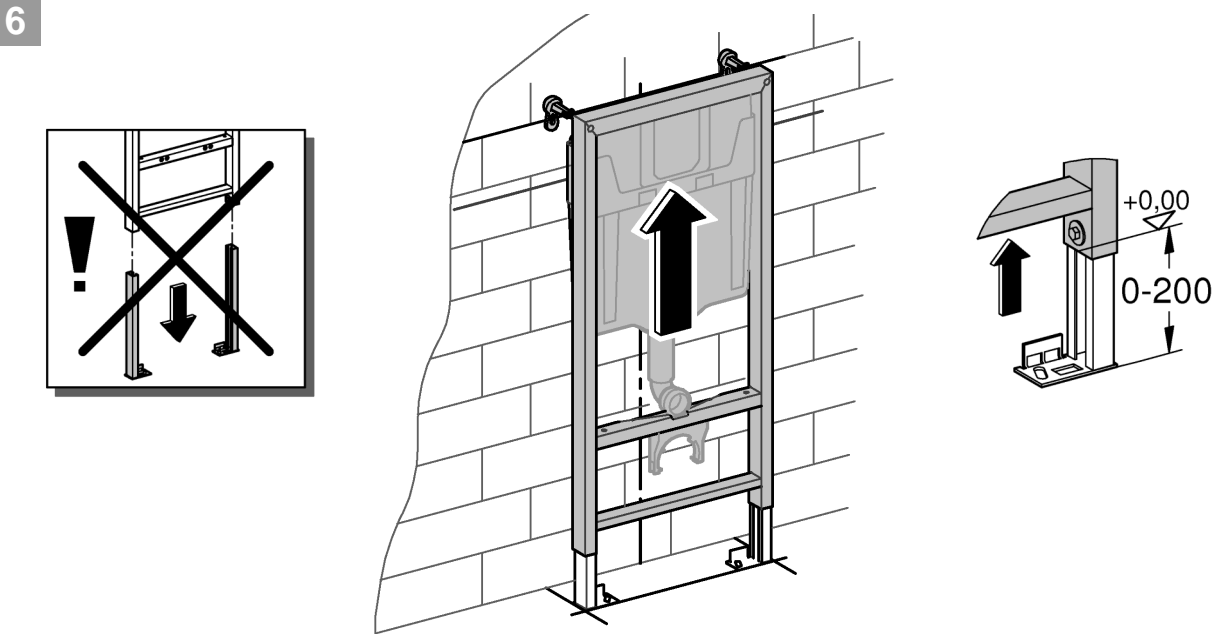
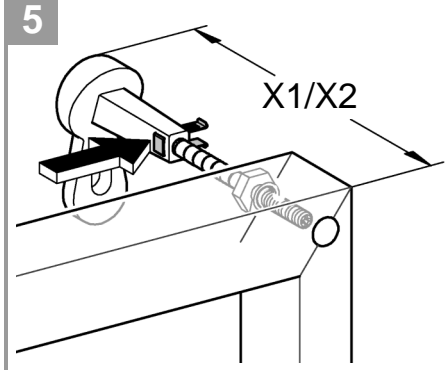
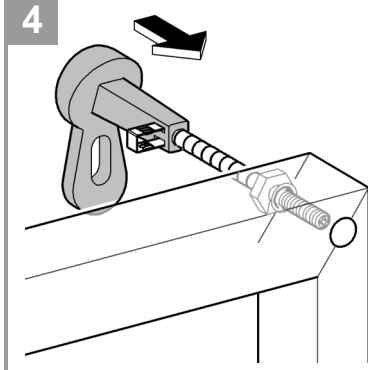
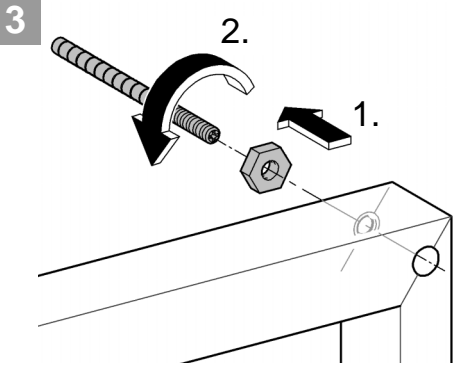


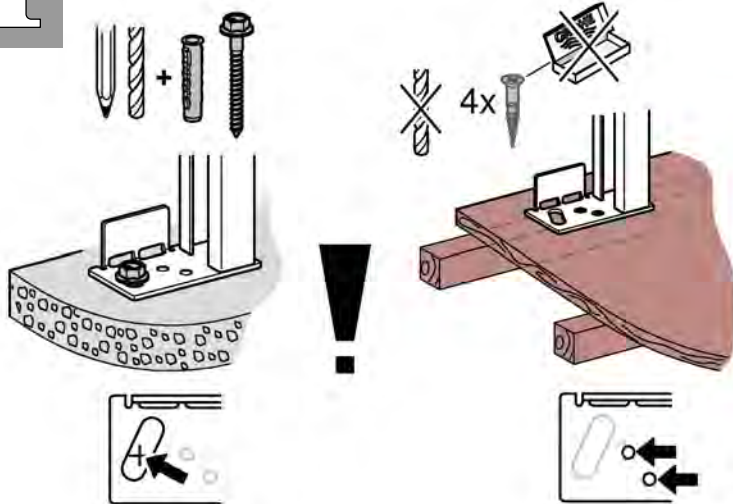
13mm

13mm

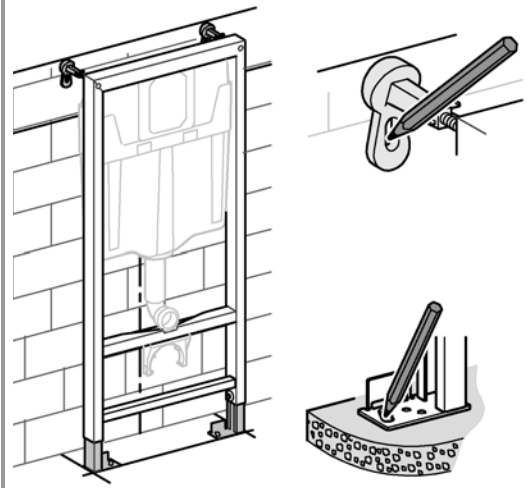




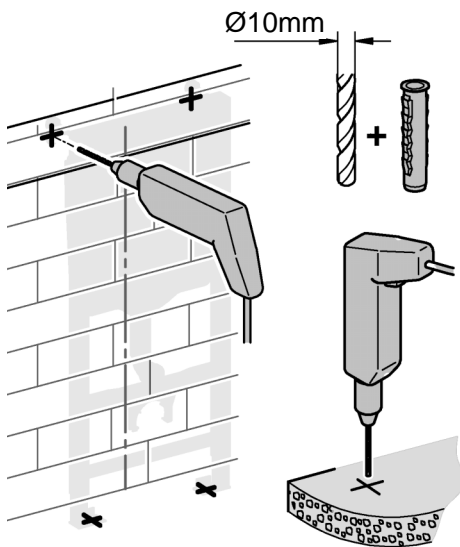




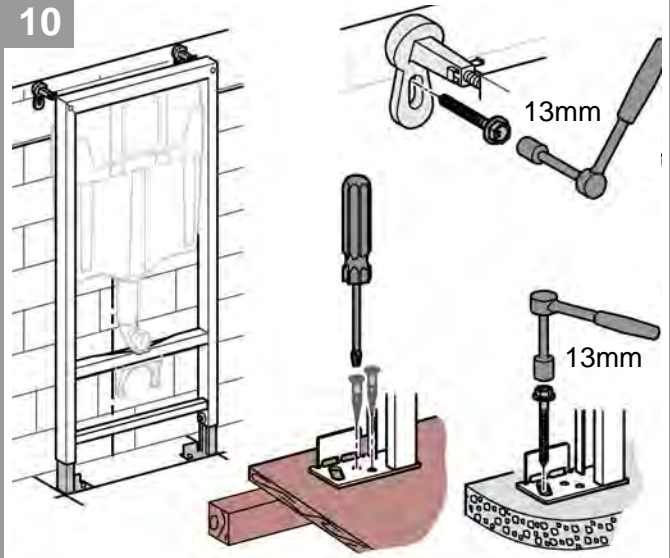
8



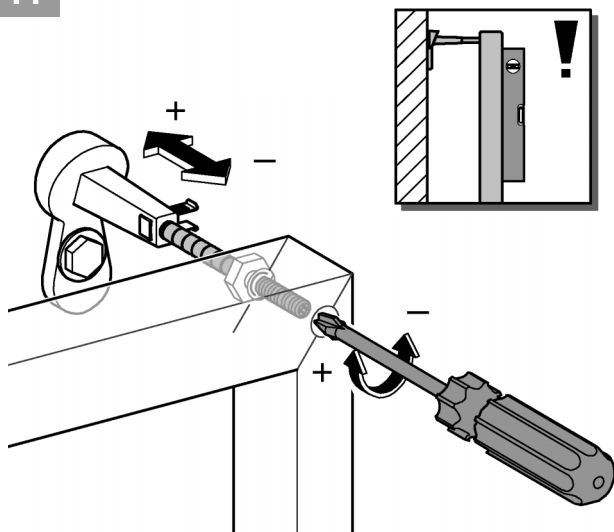
9



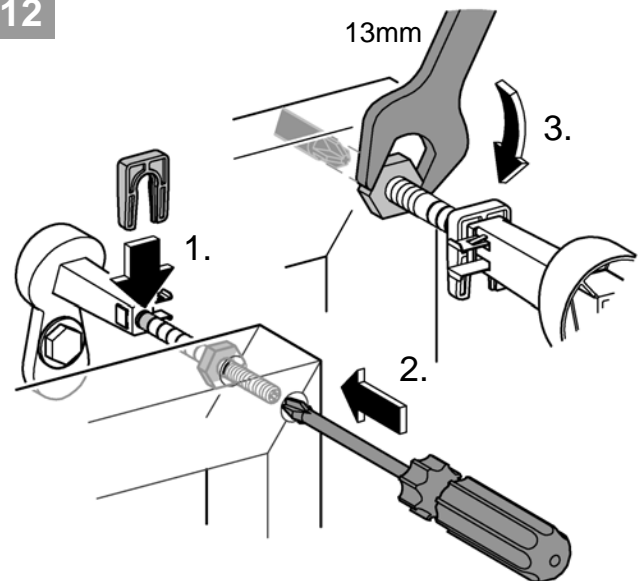
10

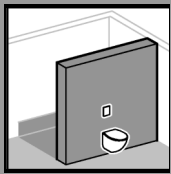
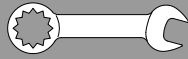


11

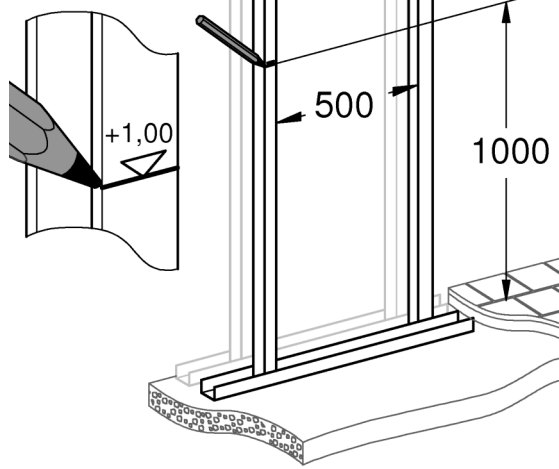


12

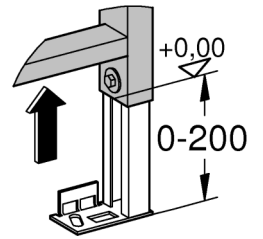
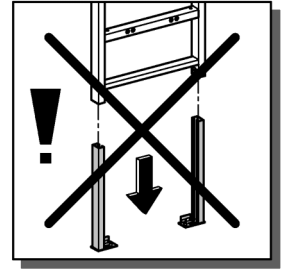
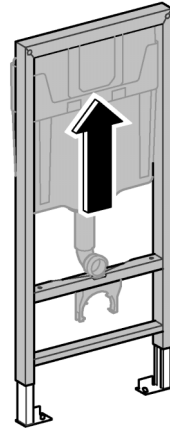




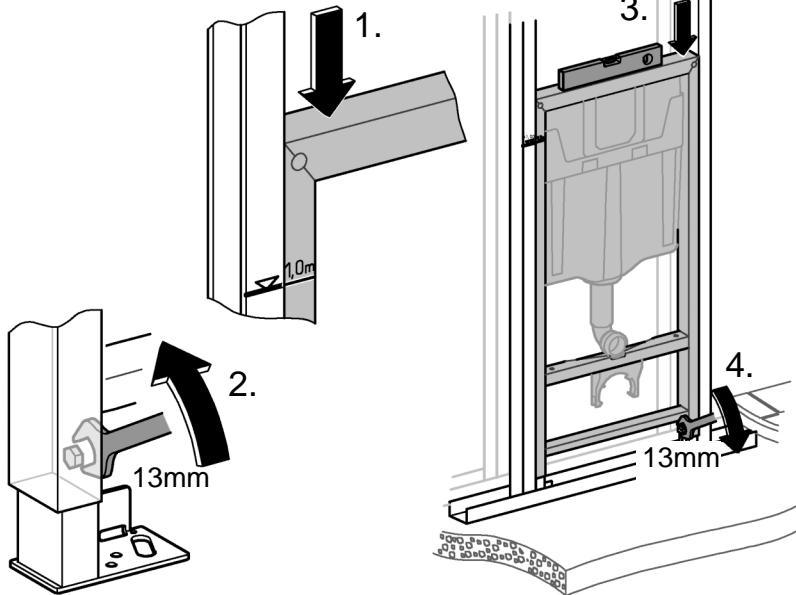
1



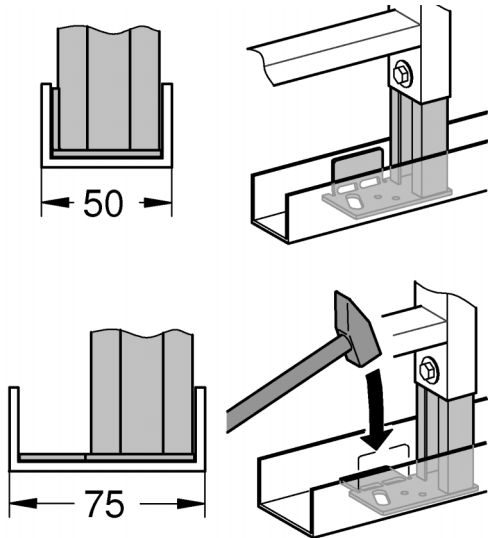
2



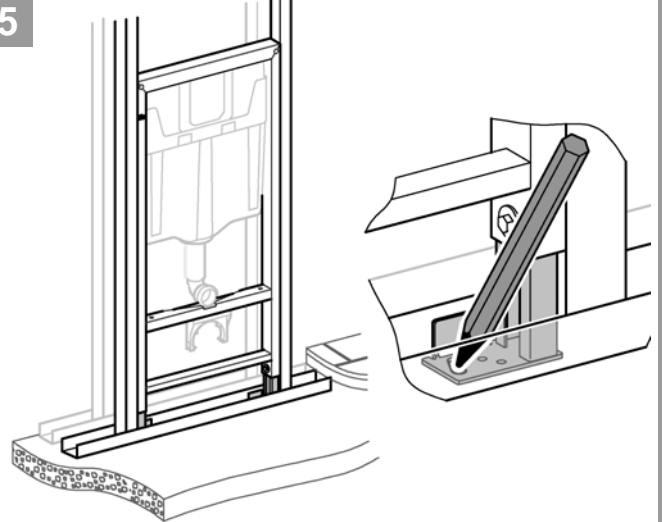
3



4



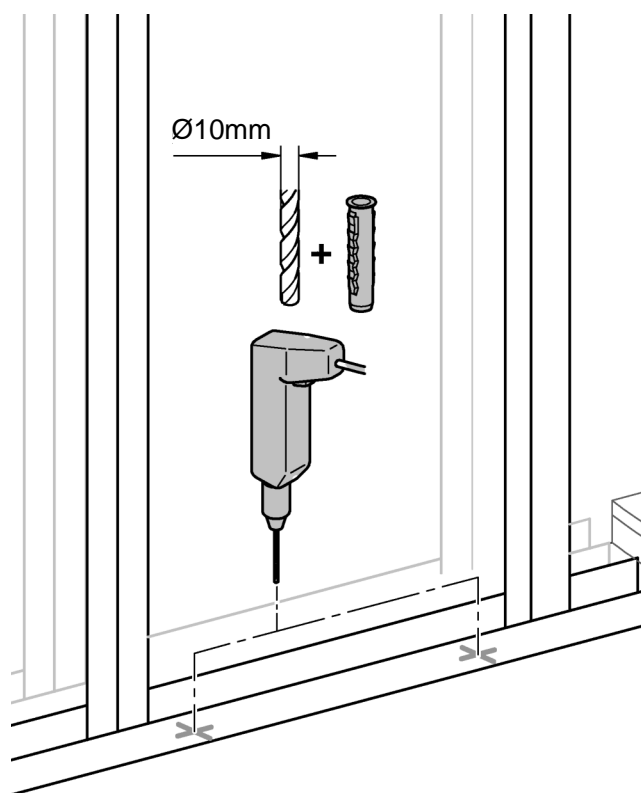
5



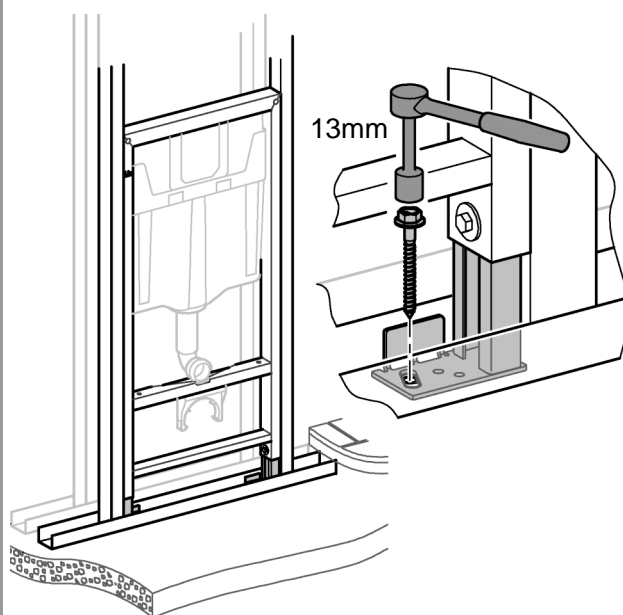
5



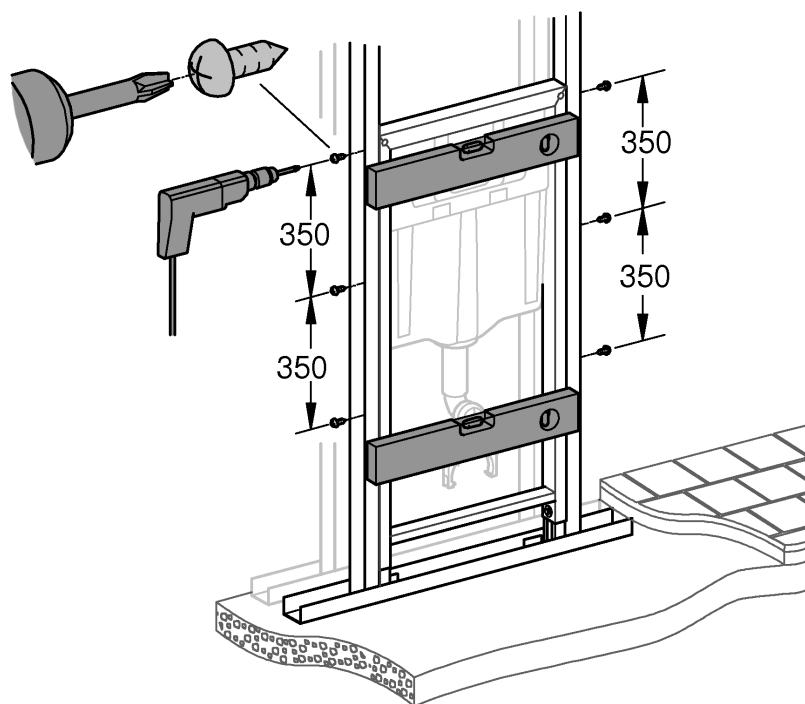
6

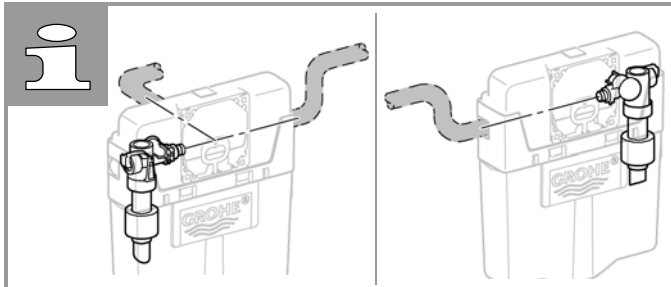


7

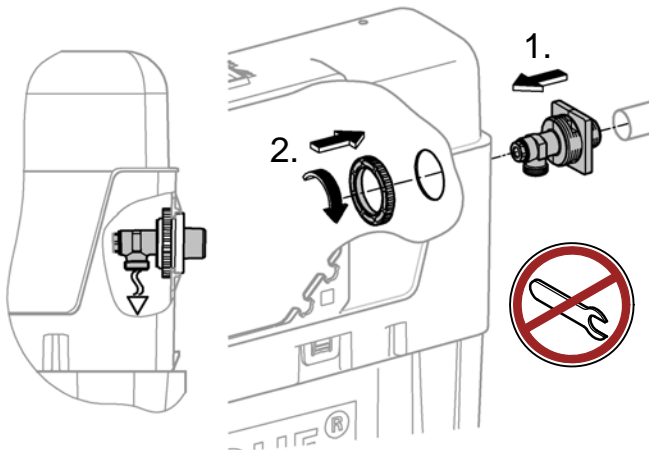


8

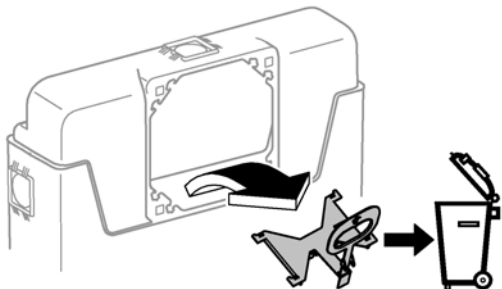




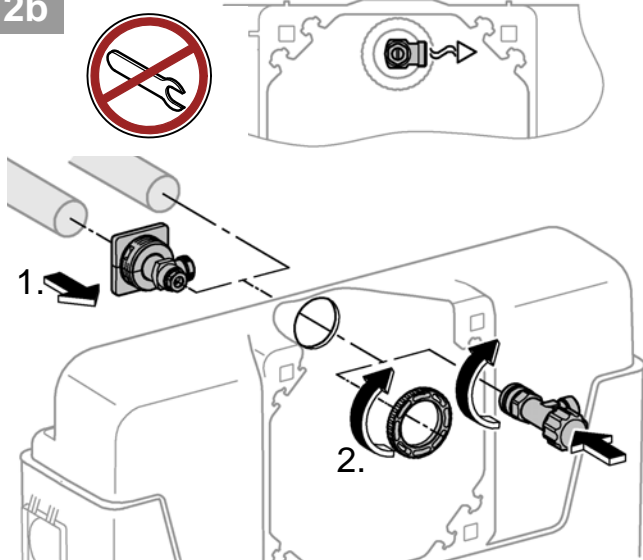
2a



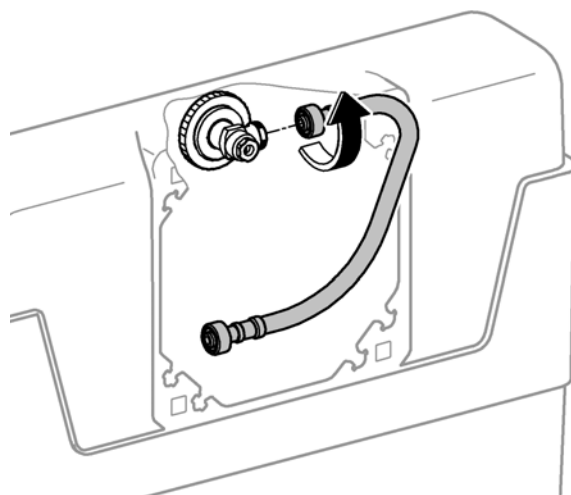
1



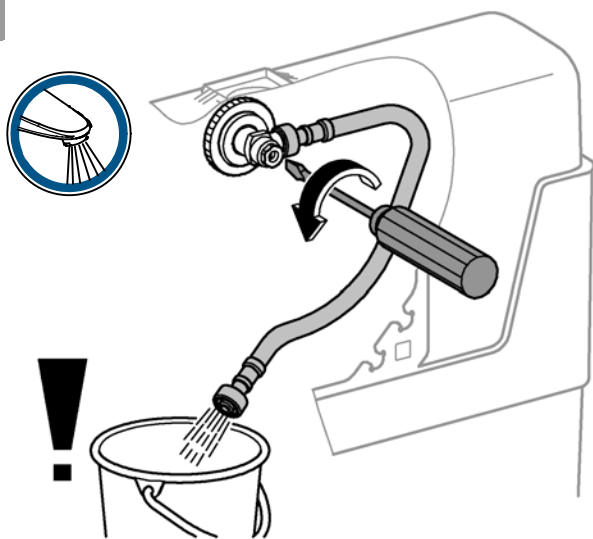
2b



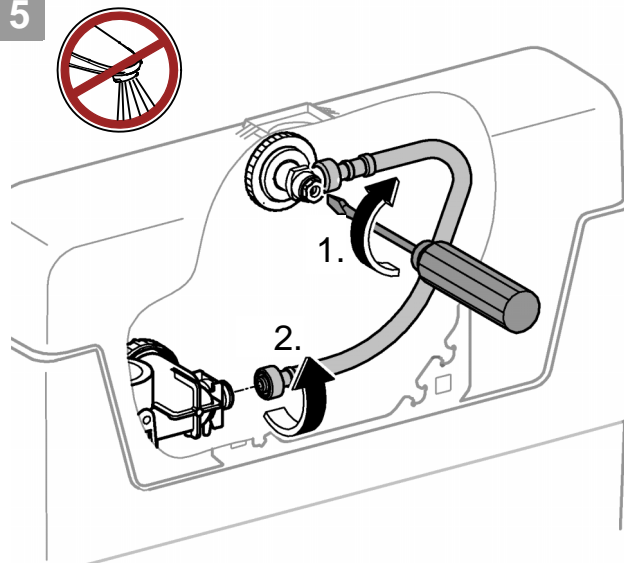
3

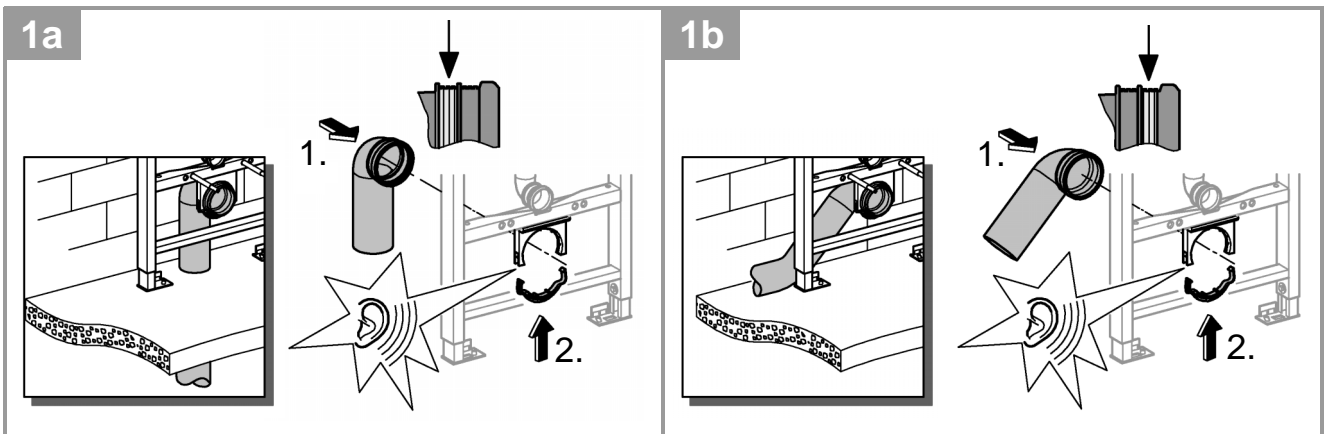
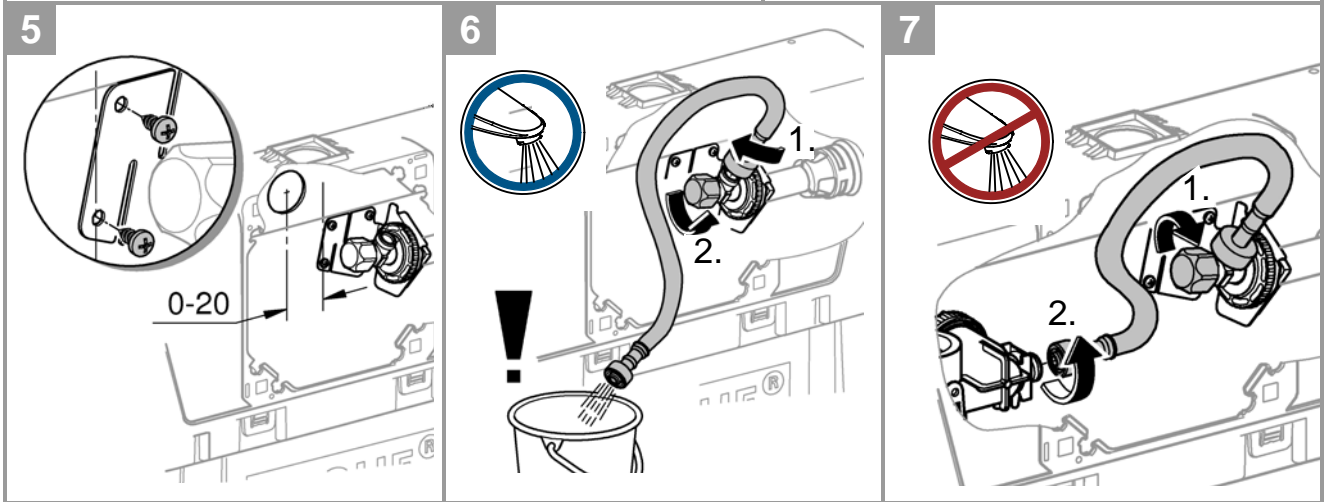
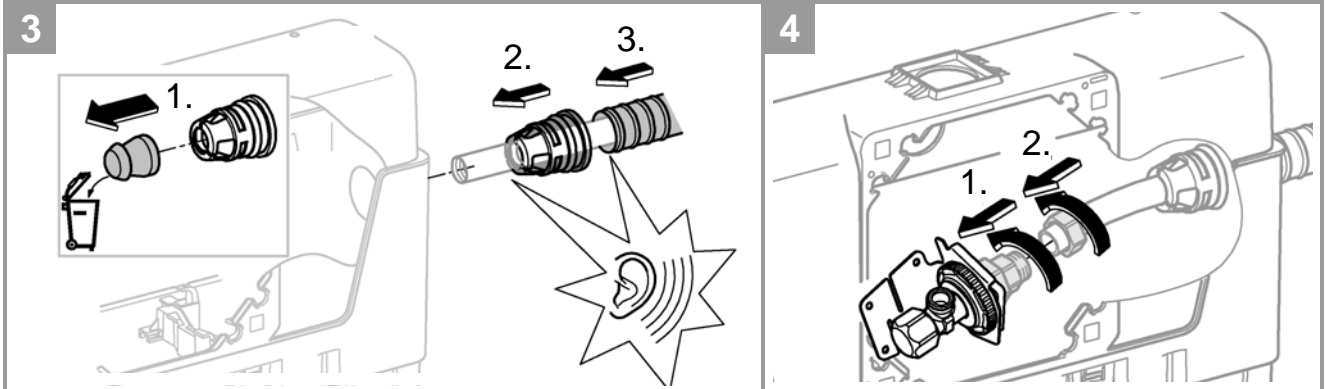
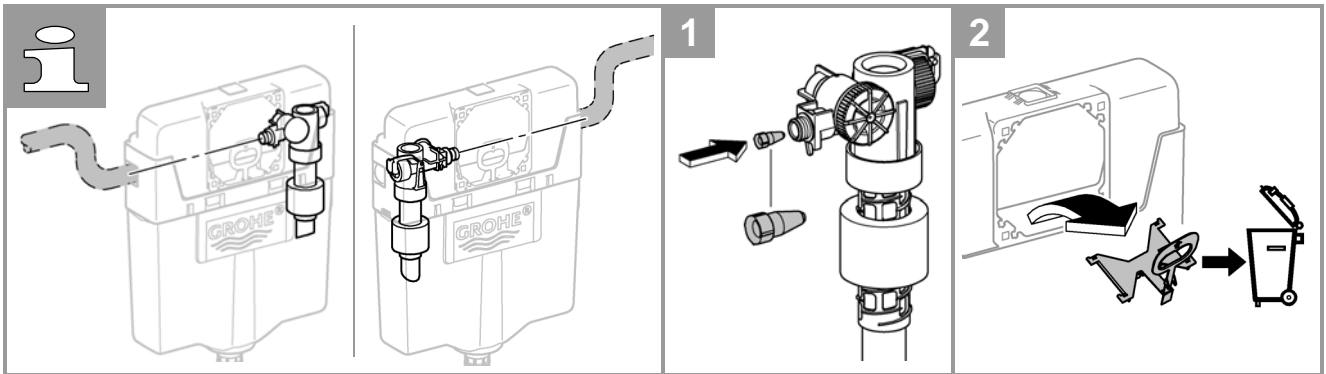


4



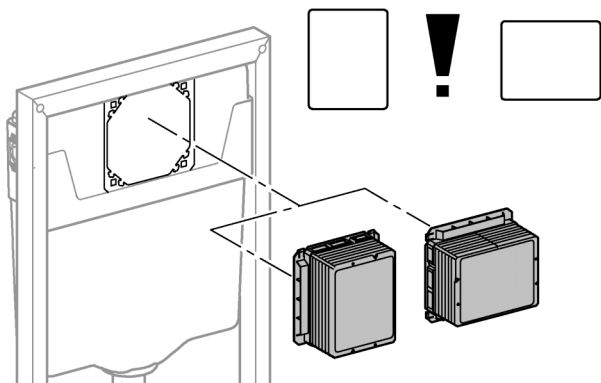
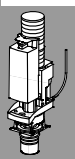
5



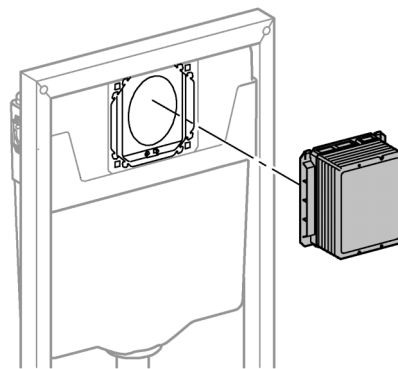




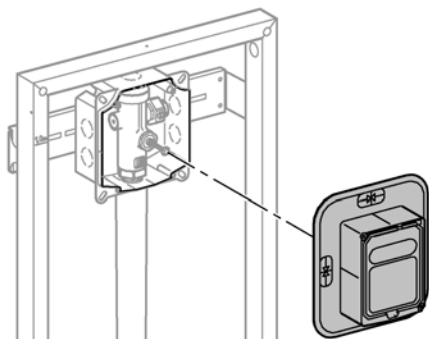
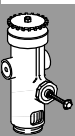
2a



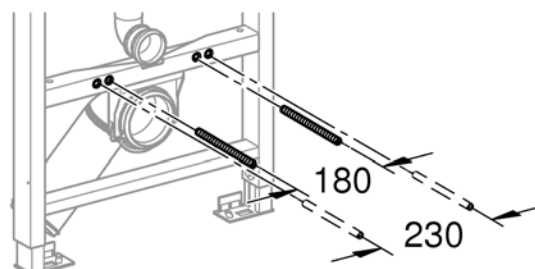
2b



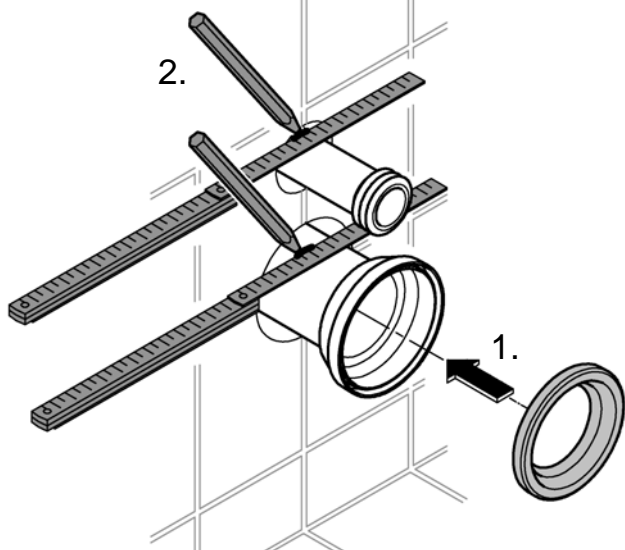
2c



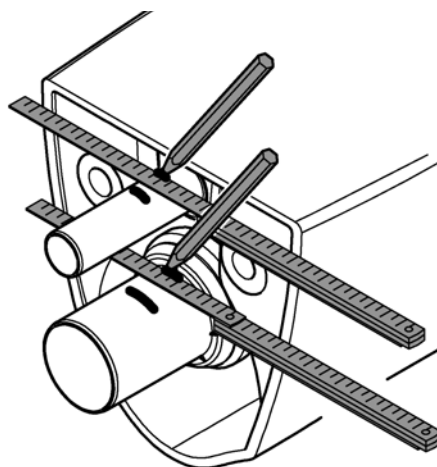
3



1

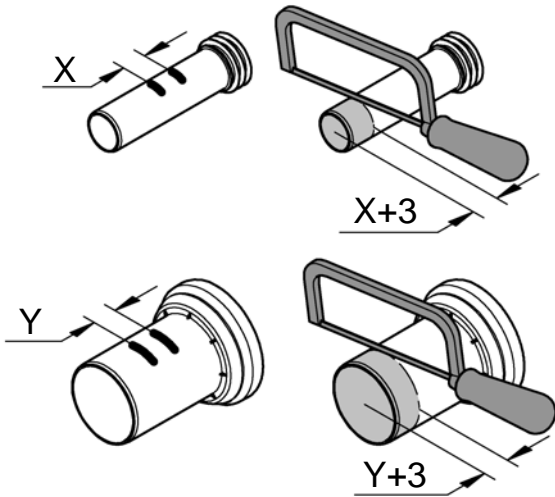


2

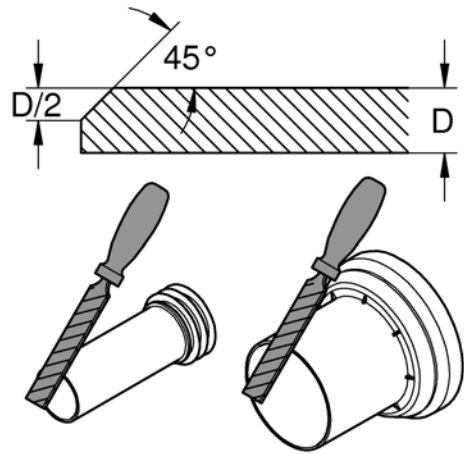




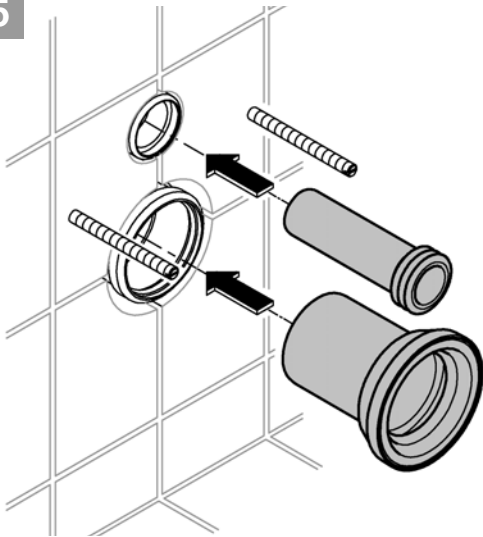
3



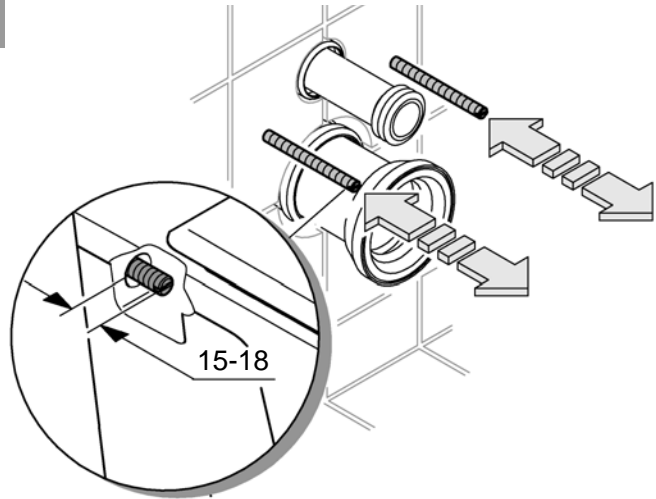
4



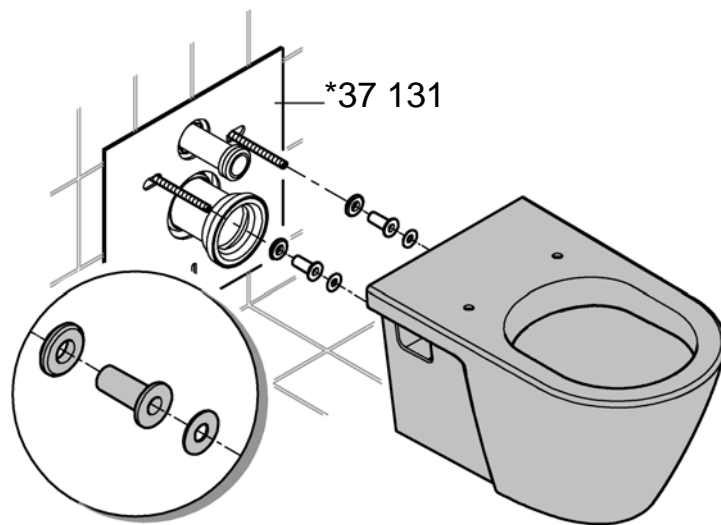
5



6

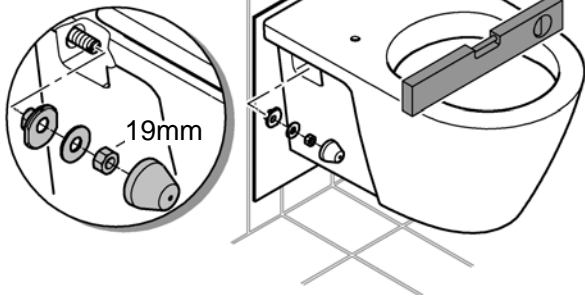


7





8



9



10

