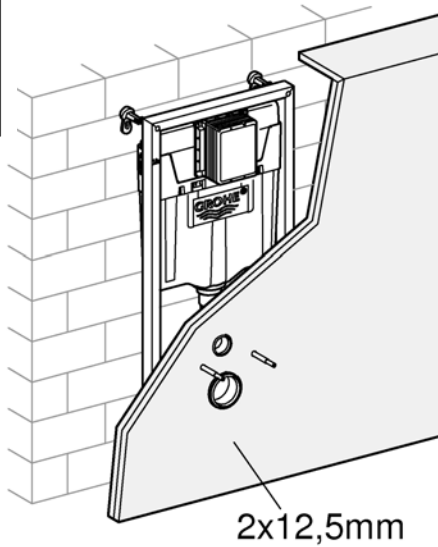
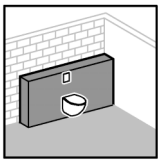




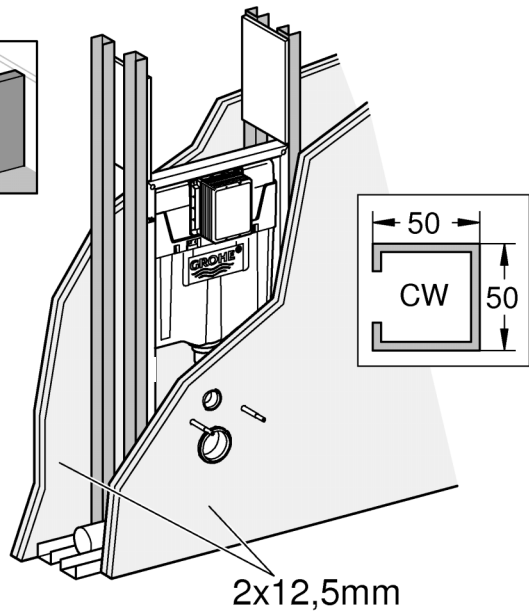
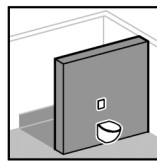


2 - 4



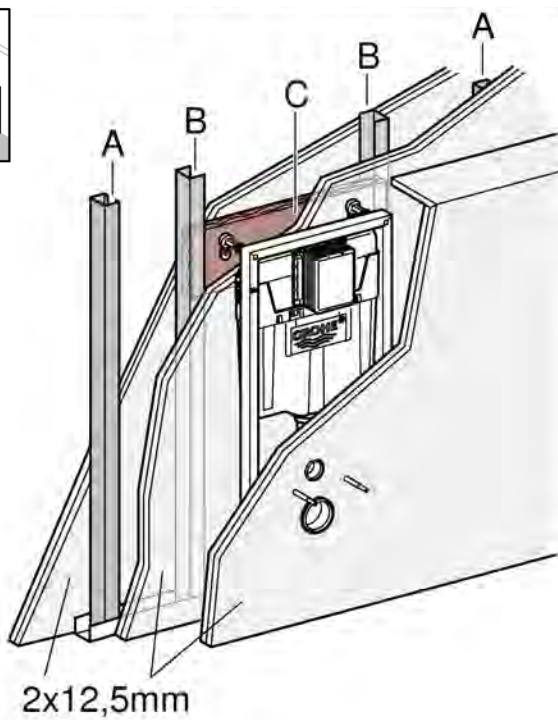
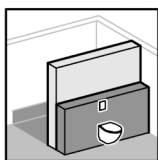
2x12,5mm

5 - 6



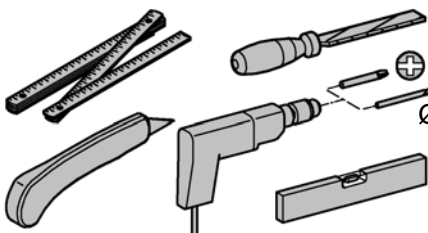
2x12,5mm

2 - 4

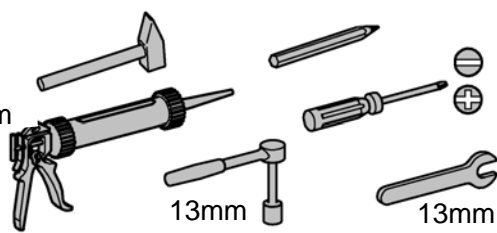


2x12,5mm

A	B	C
50x50x0,6	50x40x2	300x620x24
75x50x0,6	75x40x2	

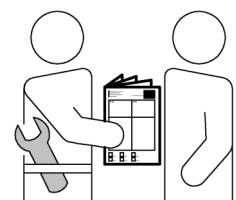


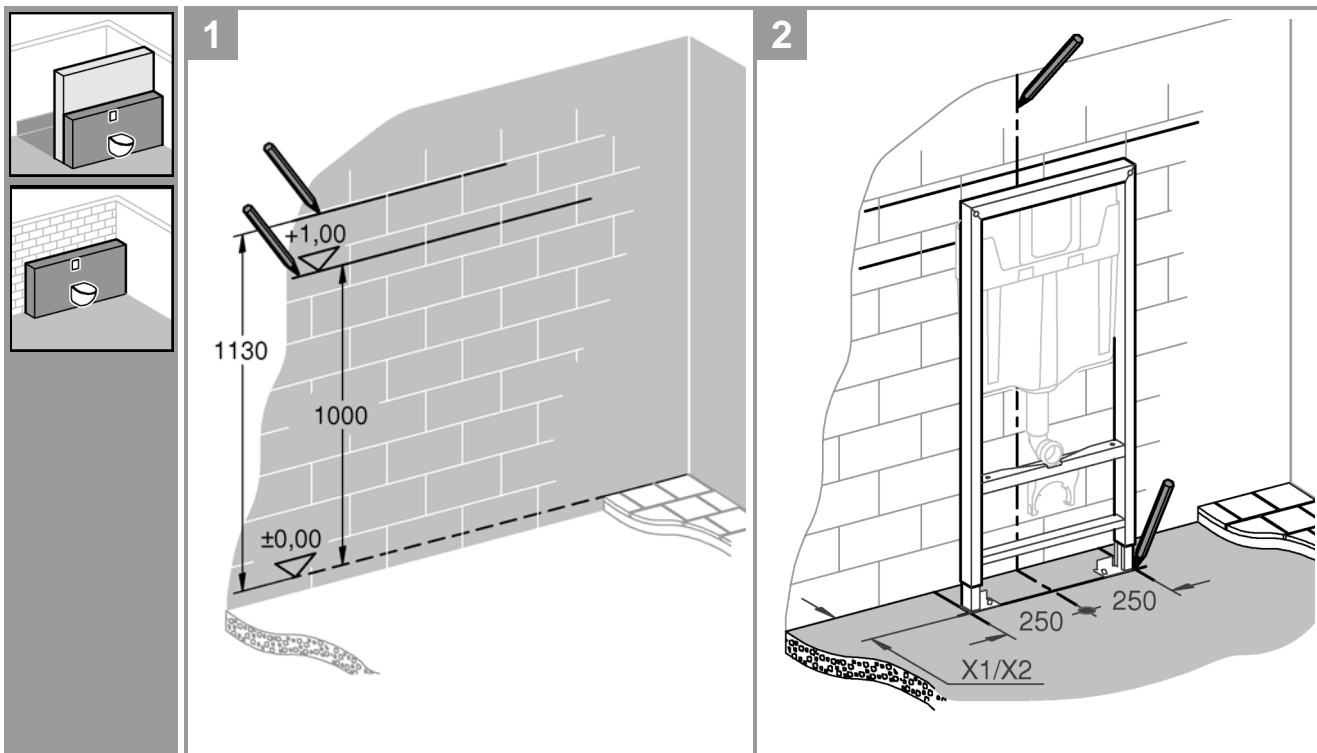
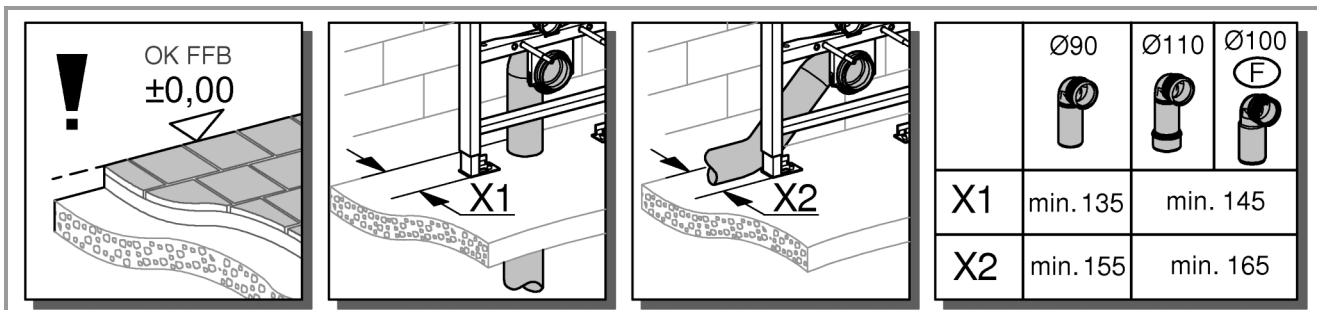
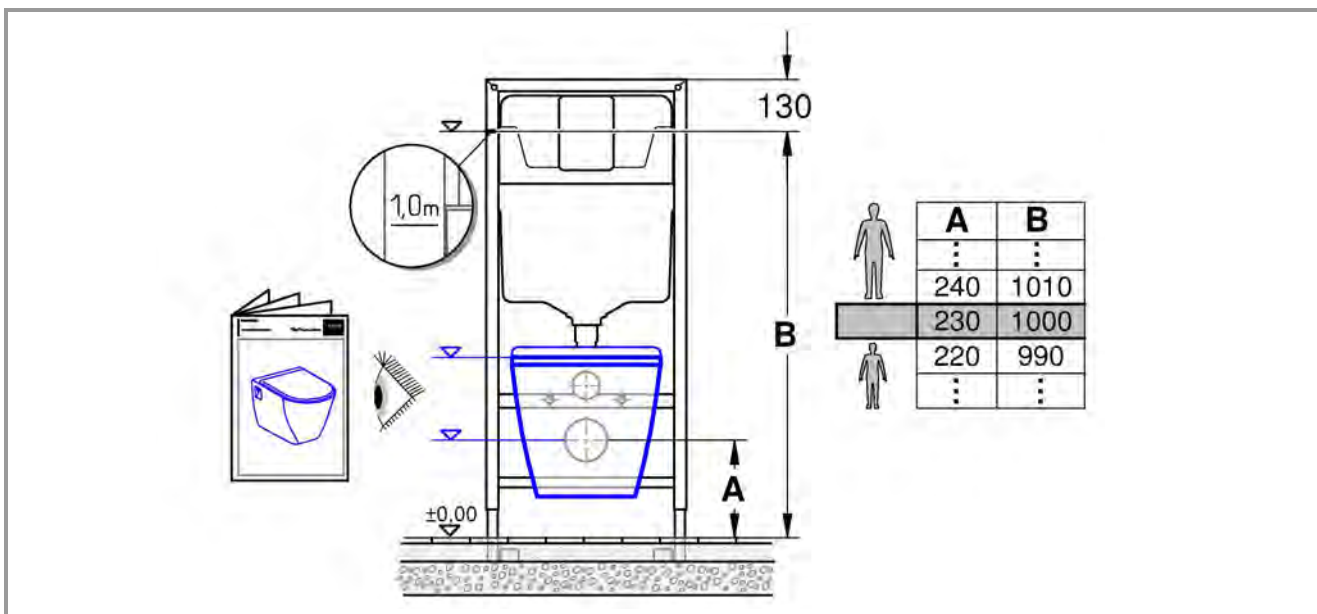
Ø10mm

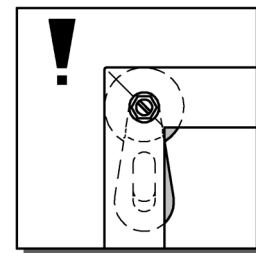
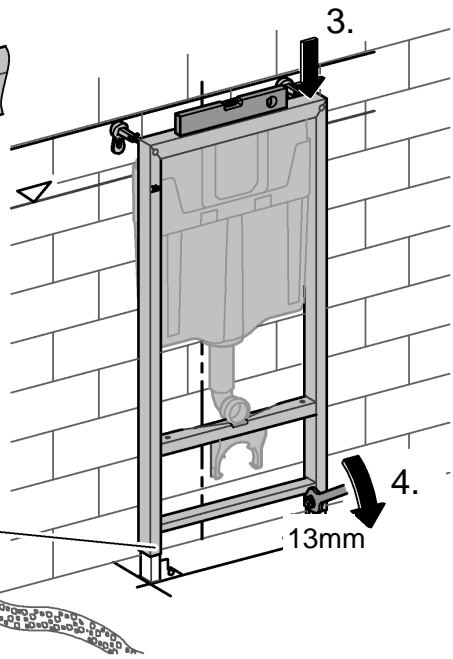
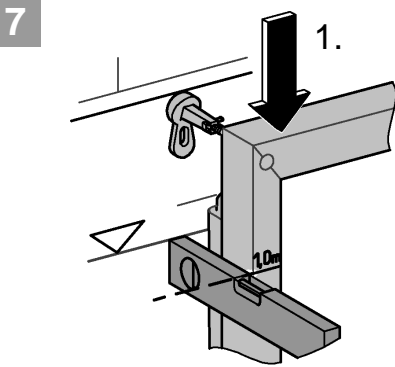
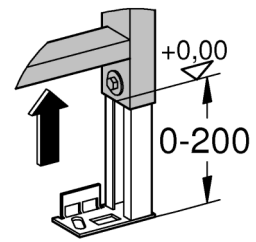
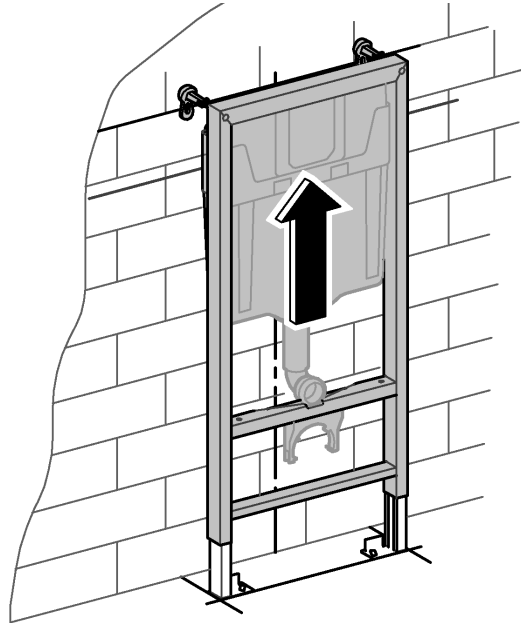
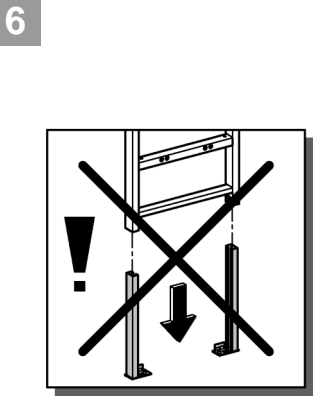
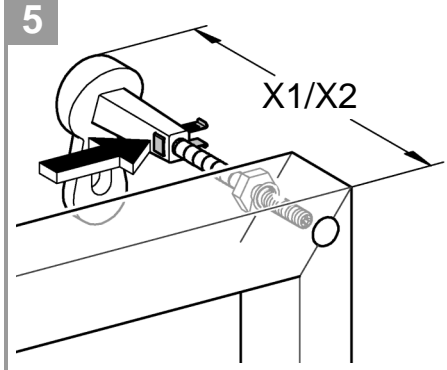
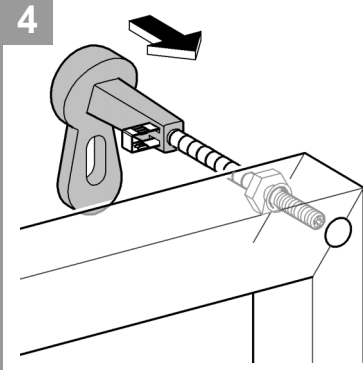
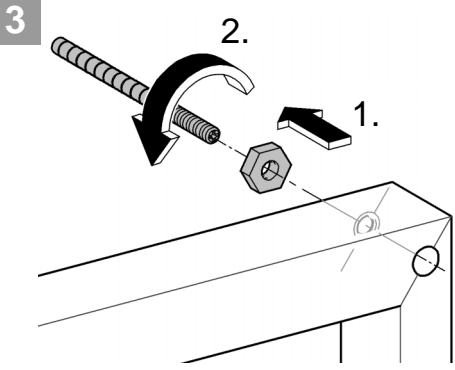


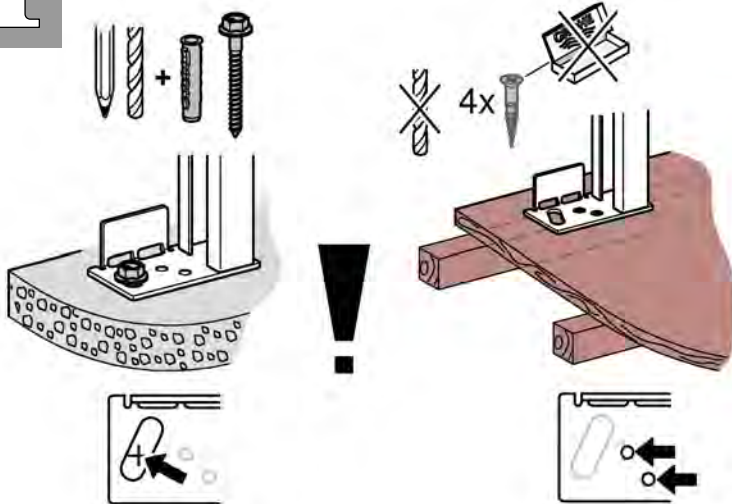
13mm

13mm

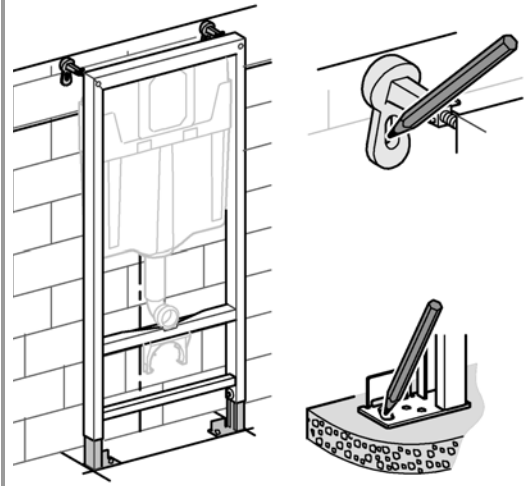




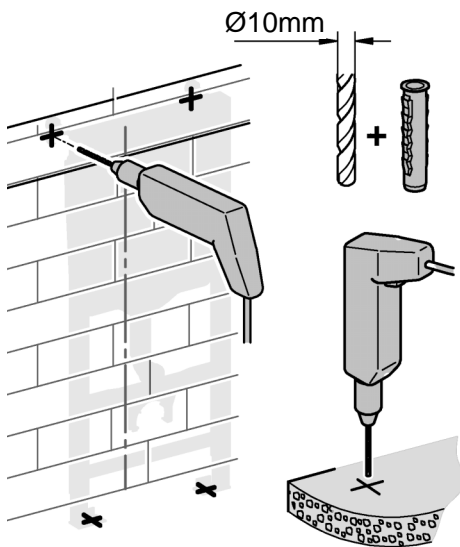




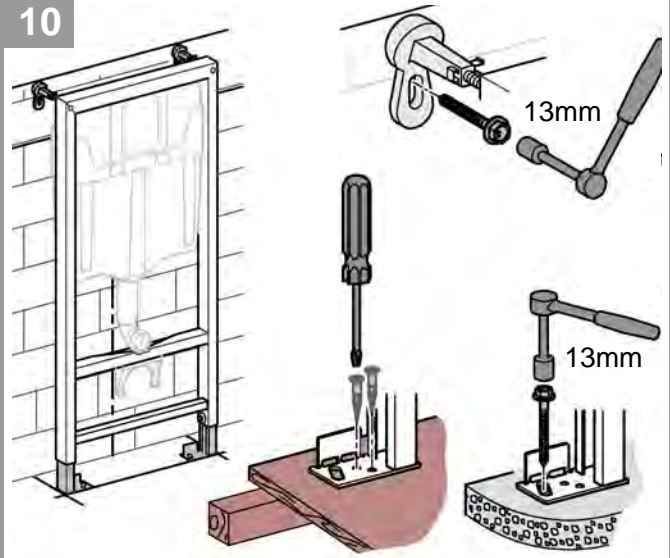
8



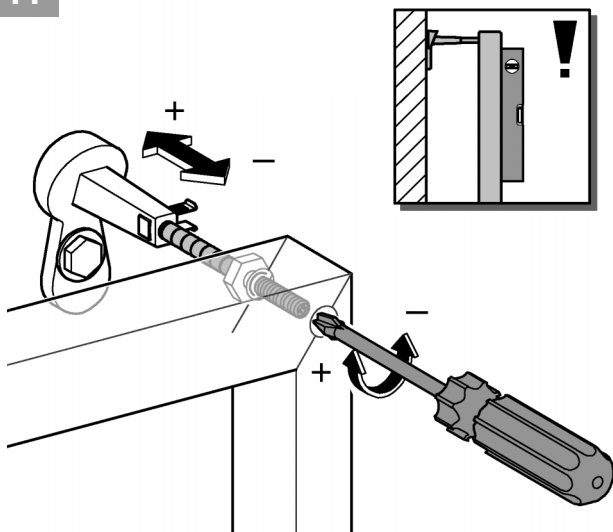
9



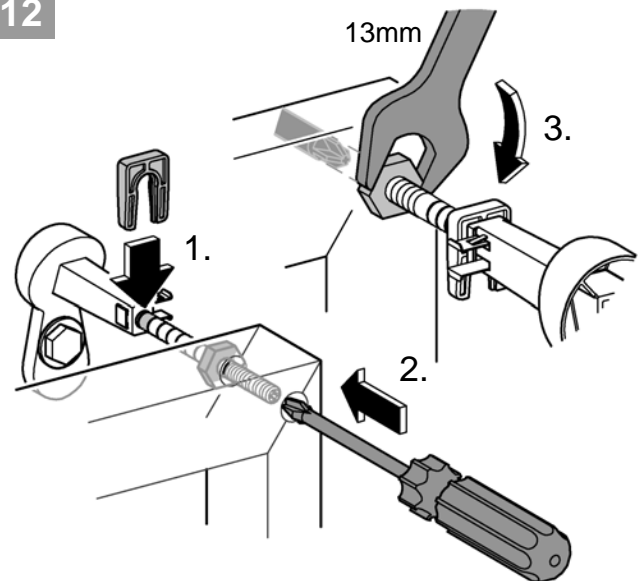
10

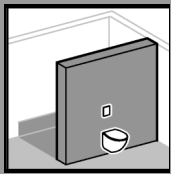
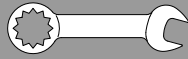


11

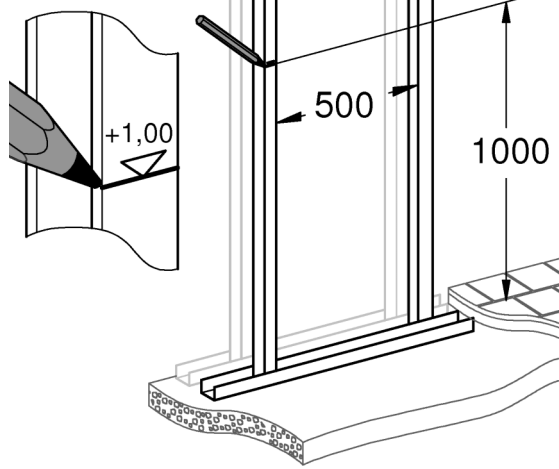


12

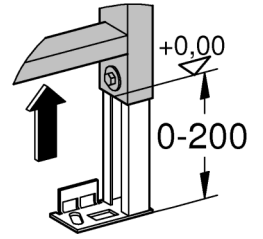
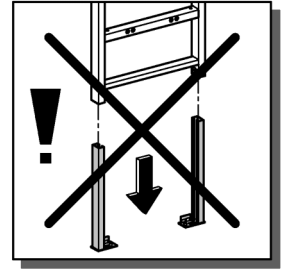
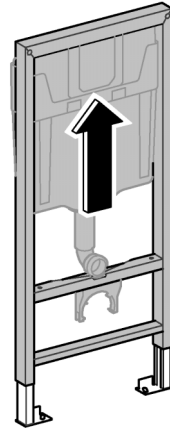




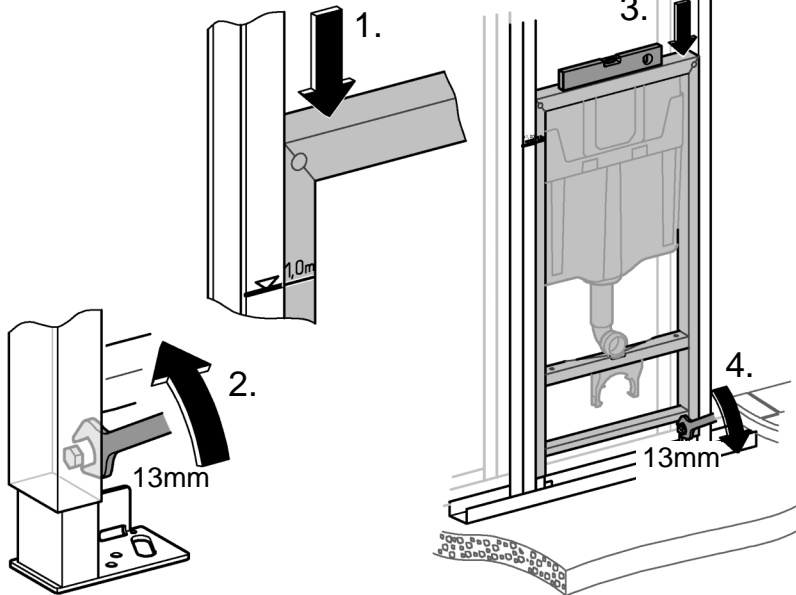
1



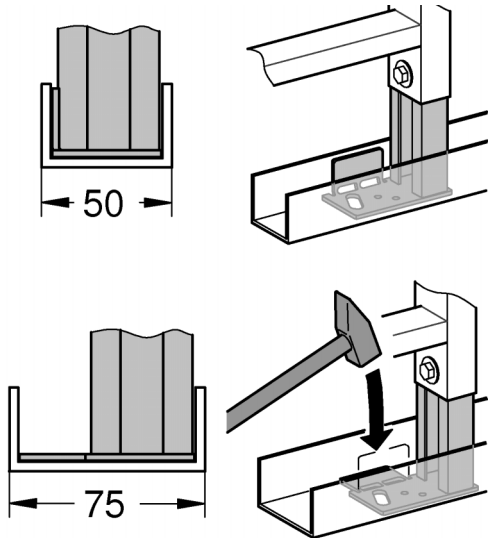
2



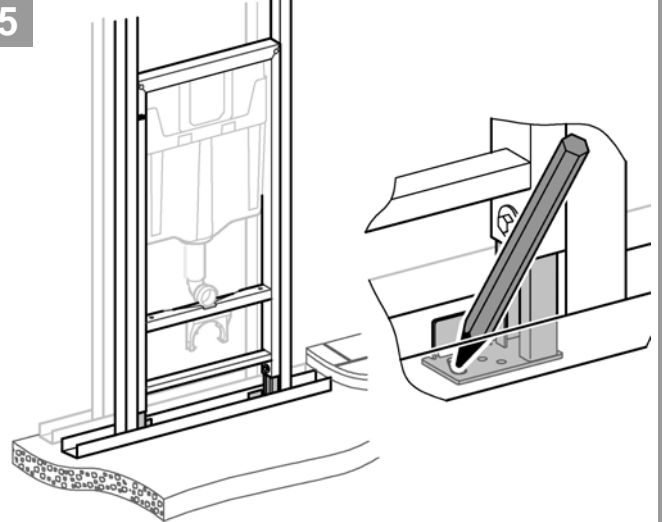
3



4



5

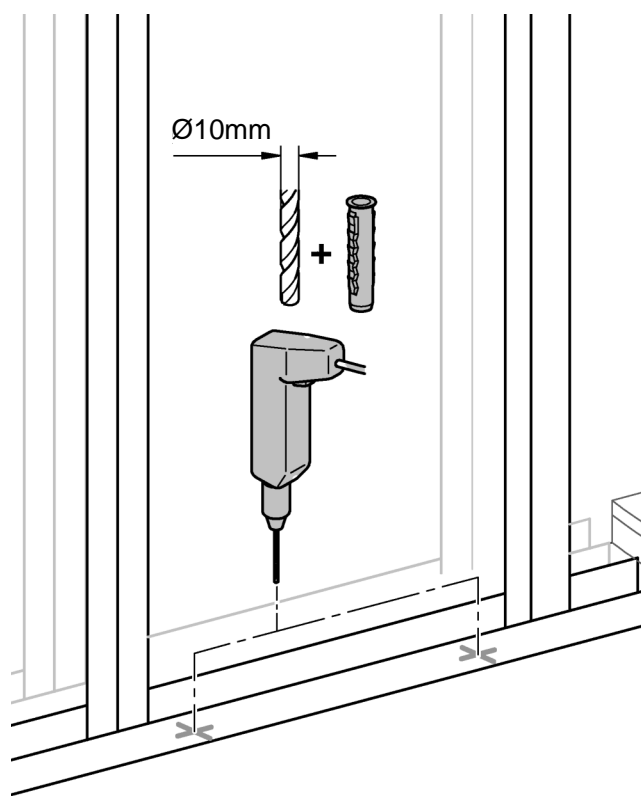


5

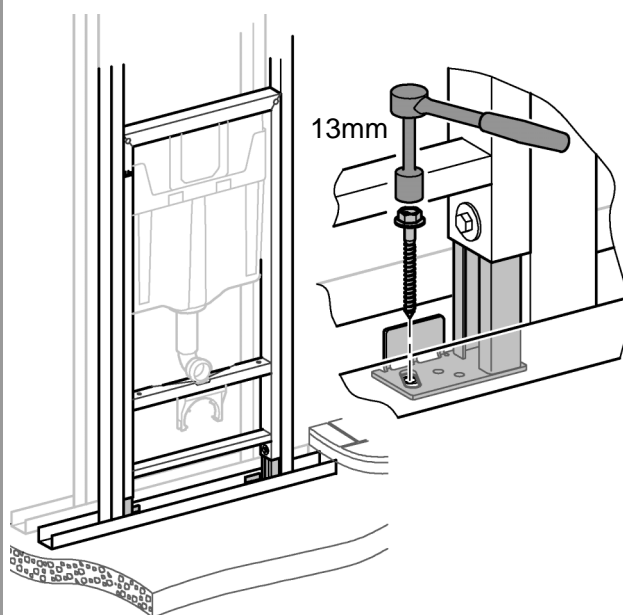




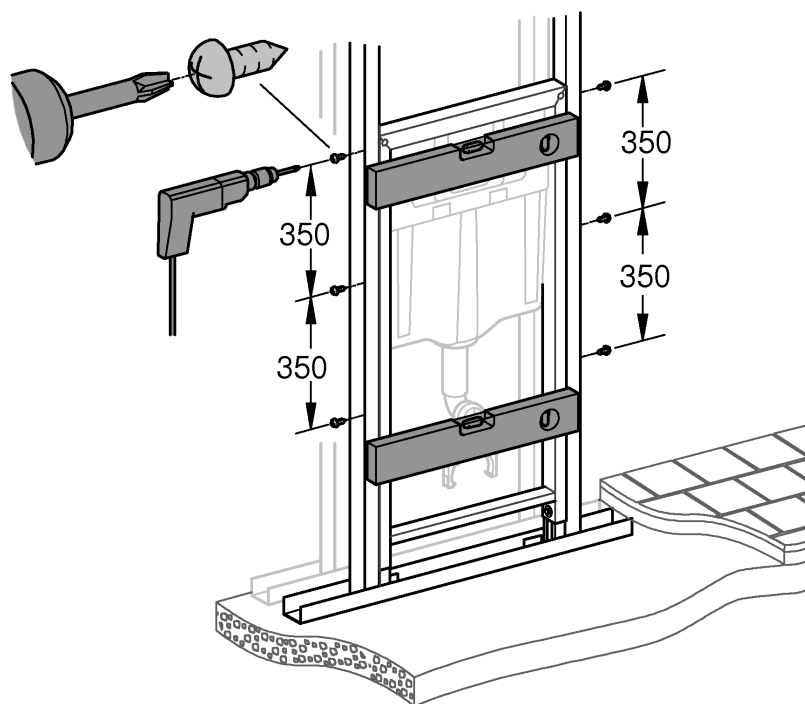
6

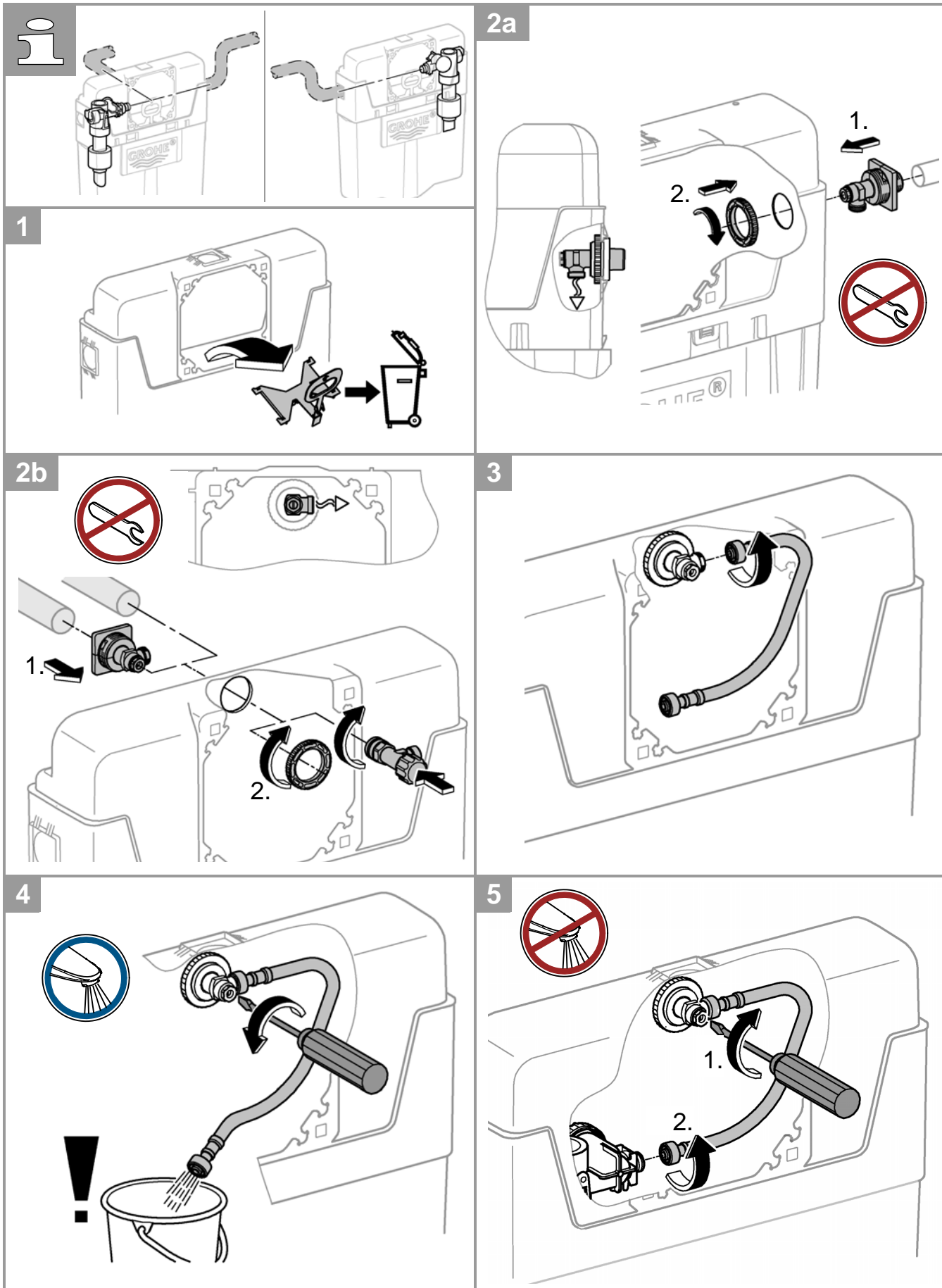


7

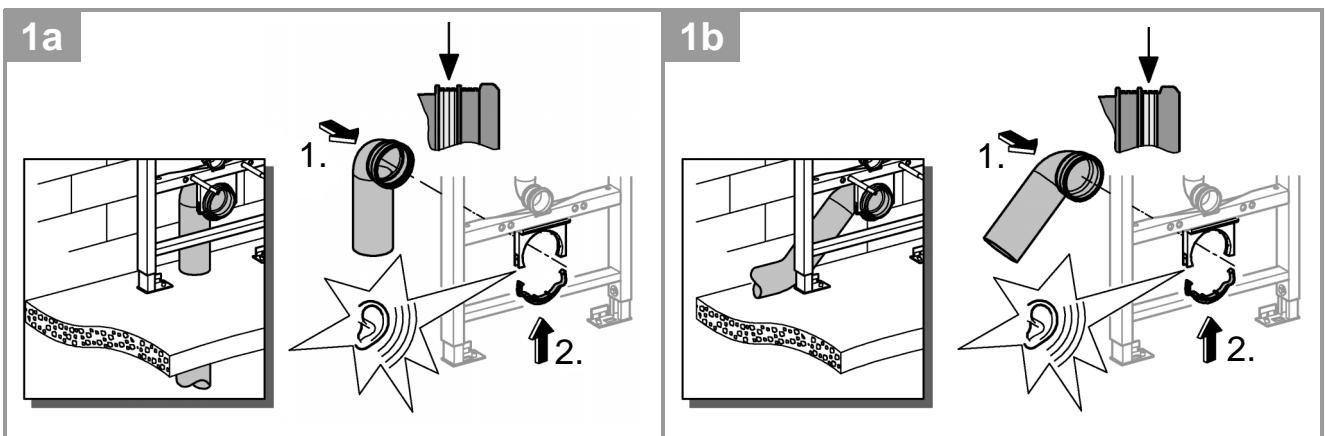
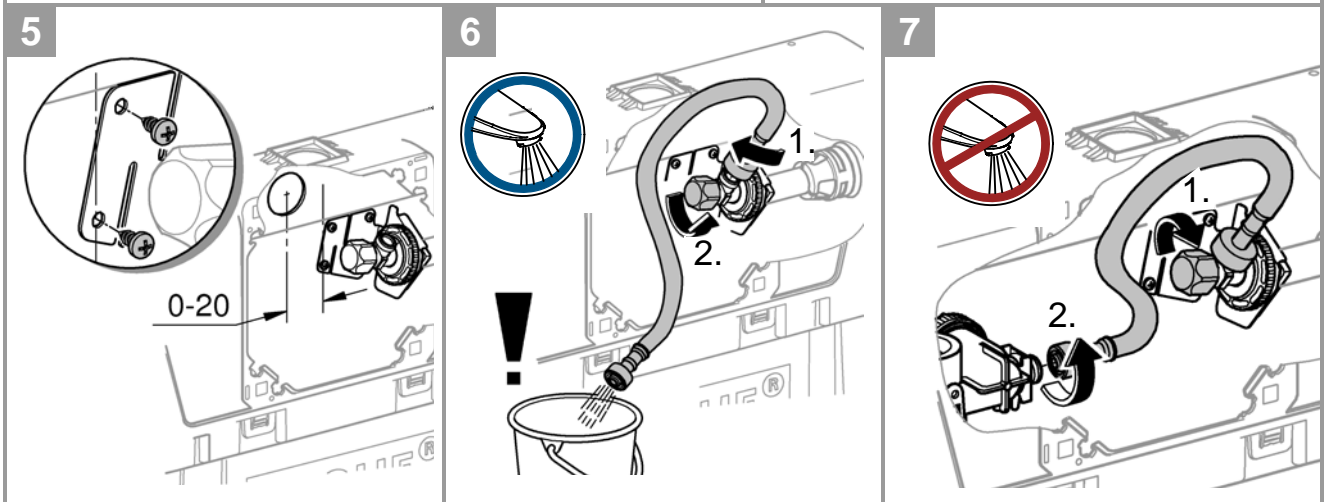
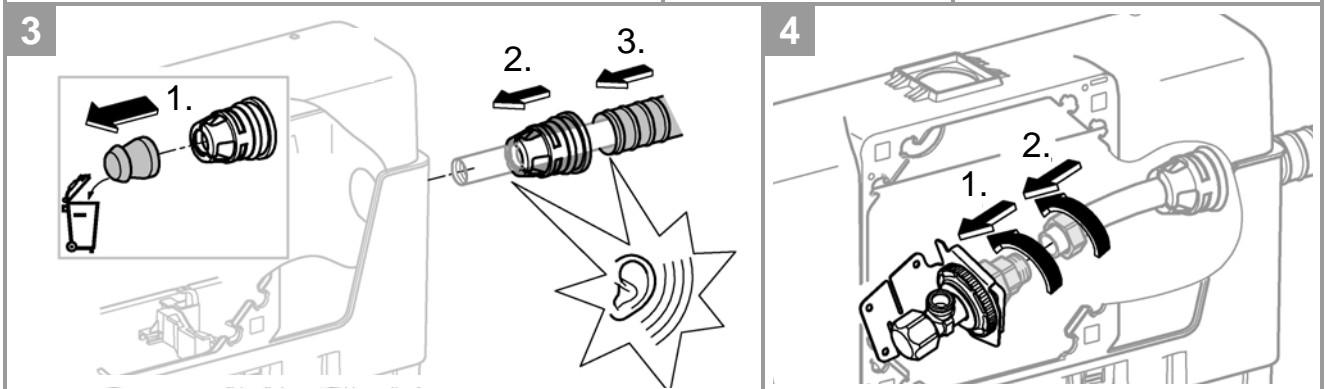
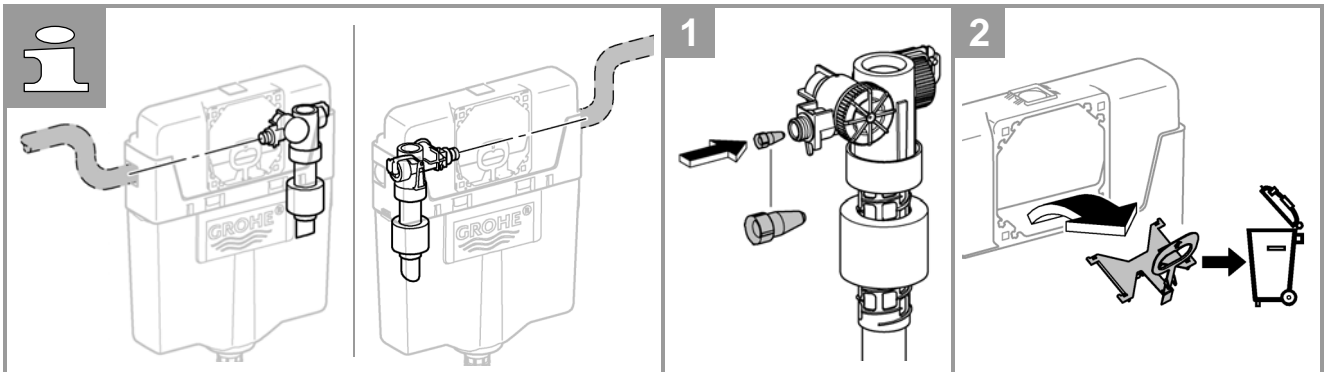


8



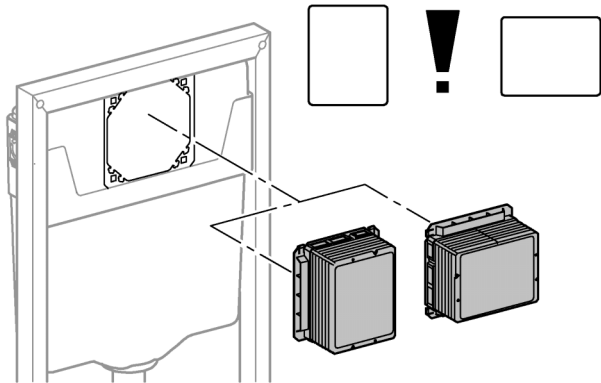
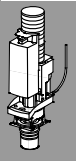




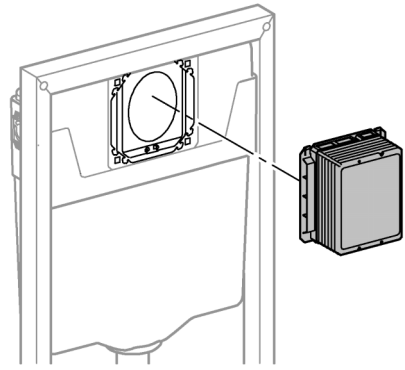




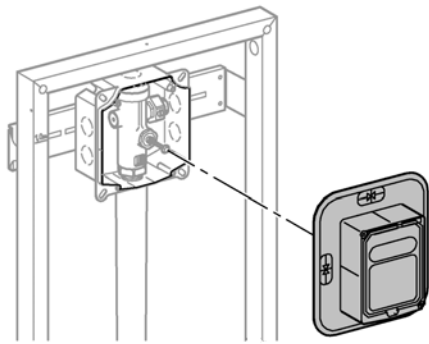
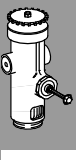
2a



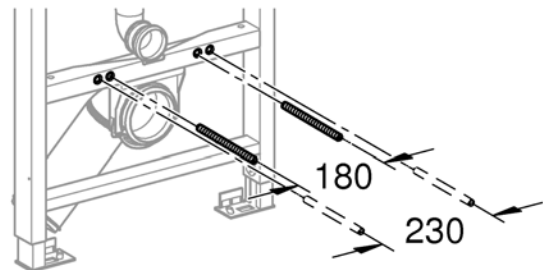
2b



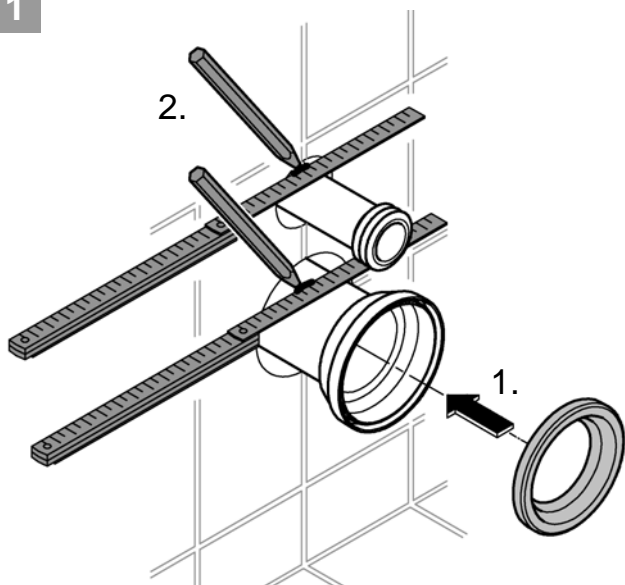
2c



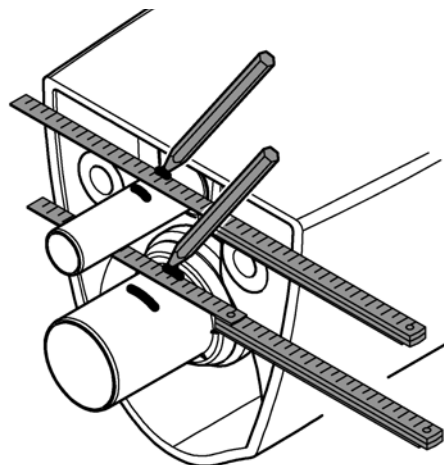
3



1

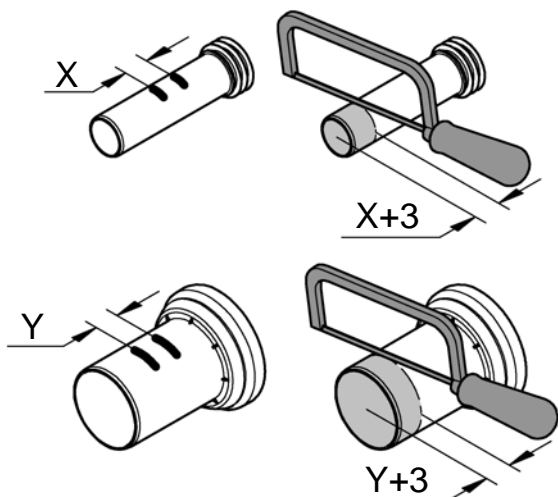


2

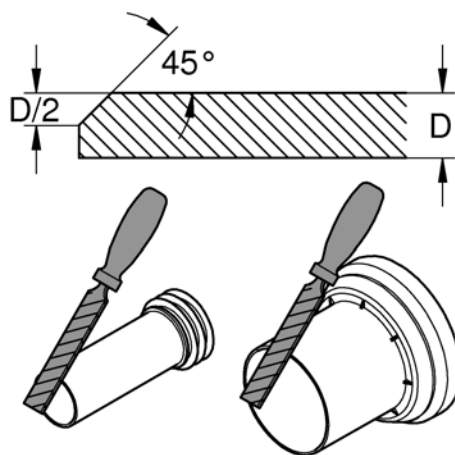




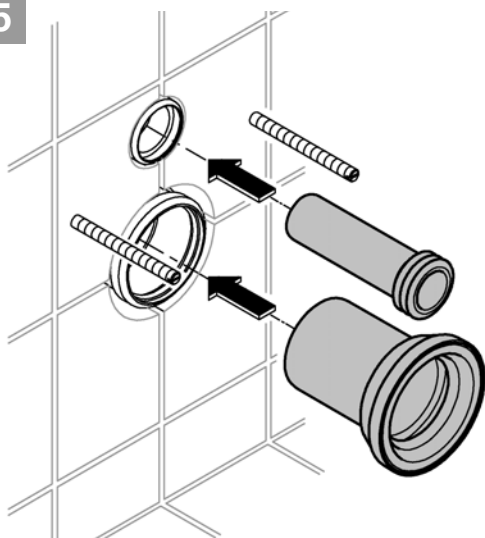
3



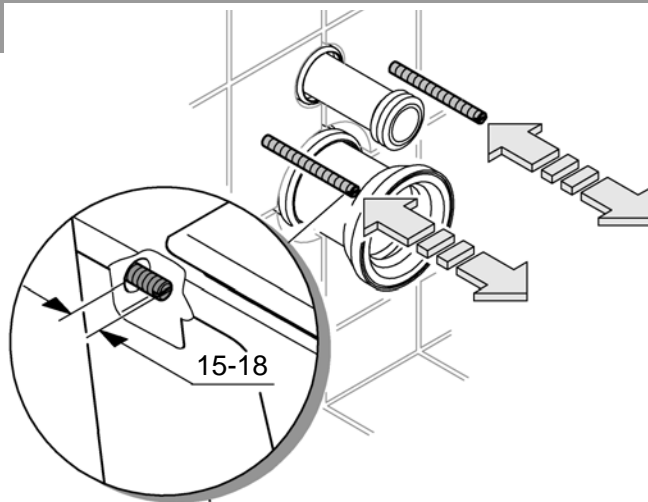
4



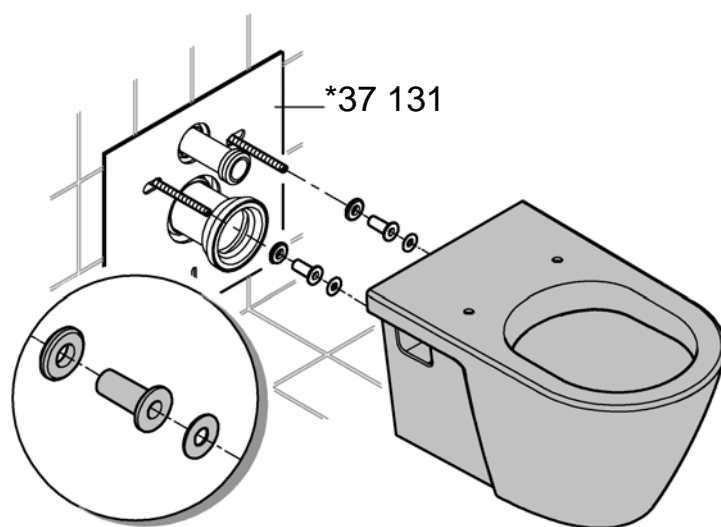
5



6

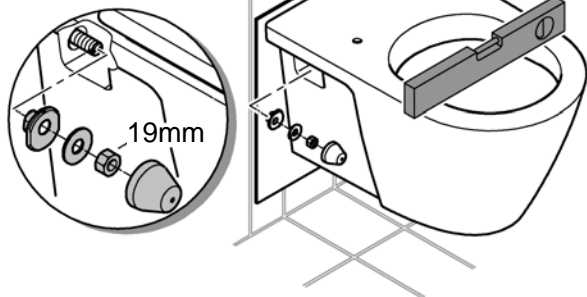


7





8



9



10

