

ferplast
new pet generation

- *User's manual*
- *Manuale d'uso*
- *Manuel d'utilisation*
- *Handbuch*
- *Gebruiksaanwijzing*

- *Manual de uso*
- *Manual do usuário*
- *Průručka používatele*
- *Příručka uživatele*
- *Felhasználói kézikönyv*

- *Användarmanual*
- *Brugsanvisning*
- *Instrukcja obsługi*
- *Руководство по применению*

swing

5 • 7 MAGNETIC • 9 • 11 • 15

GB

IT

FR

DE

NL

ES

PT

SK

CS

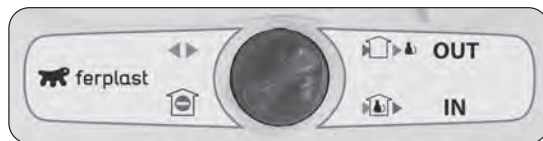
HU

SV

DA

PL

RU

1**4-WAY LOCKING SYSTEM**

- Access only
- Solo entrata
- Entrée uniquement
- Nur Zugang
- Alleen binnenkomen
- Sólo entrada
- Apenas acesso
- Iba príchod
- Pouze příchod
- Csak bejárat
- Bara tillgänglighet
- Kun indgang
- Tylko wejście
- Только вход



- Exit only
- Solo uscita
- Sortie uniquement
- Nur verlassen
- Alleen buitengaan
- Sólo salida
- Só sair
- Iba odchod
- Pouze odchod
- Csak kijárat
- Bara utgång
- Kun udgang
- Tylko wyjście
- Только выход



- Access and exit
- Entrada e uscita
- Entrée et sortie
- Zugang und verlassen
- Binnenkomen en buitengaan
- Entrada y salida
- Acesso e saída
- Príchod aj odchod
- Příchod i odchod
- Bejárat és kijárat
- Tillgänglighet och utgång
- Indgang og udgang
- Wejście i wyjście
- Вход и выход



- Closed
- Chiuso
- Fermée
- Geschlossen
- Gesloten
- Cerrado
- Echado
- Uzavreté
- Uzavřeně
- Zárva
- Stängt
- Lukket
- Zamknięte
- Закрыто

2**WINDSTOPPER SYSTEM****3****IN/OUT INDICATOR**

4

MAGNETIC KEY

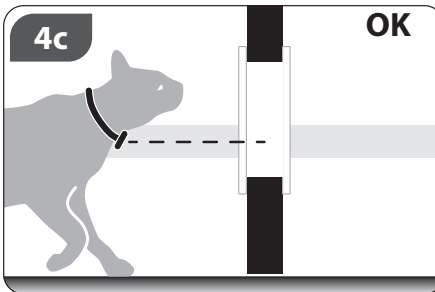
4a



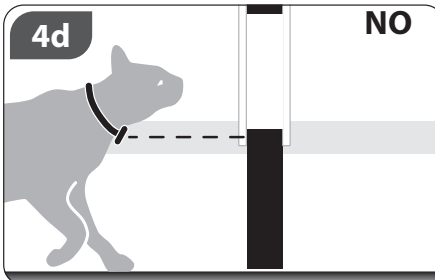
4b



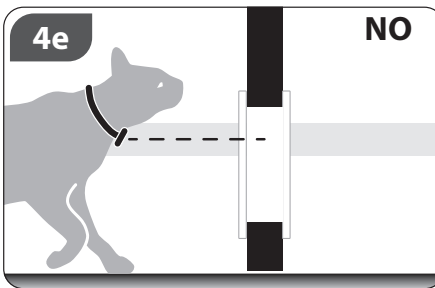
4c



4d



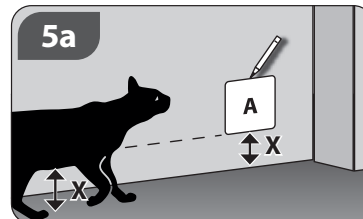
4e



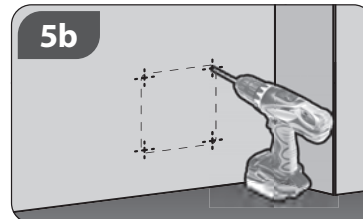
5

WOODEN DOOR

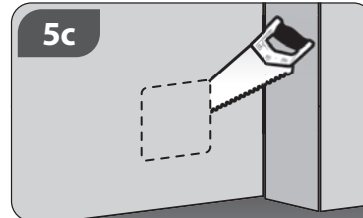
5a



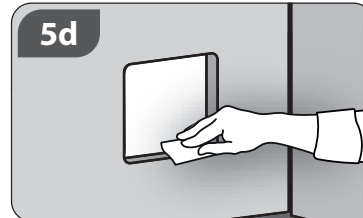
5b



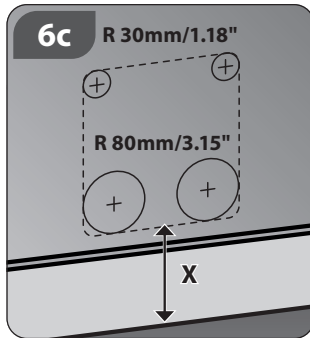
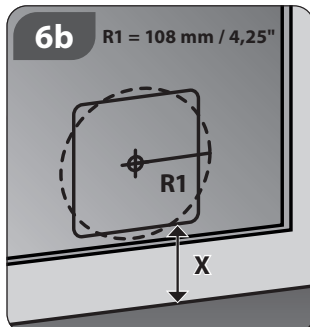
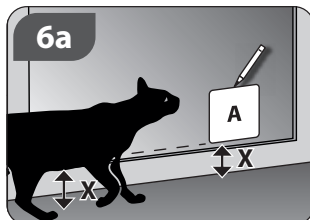
5c



5d



6 GLASS DOOR

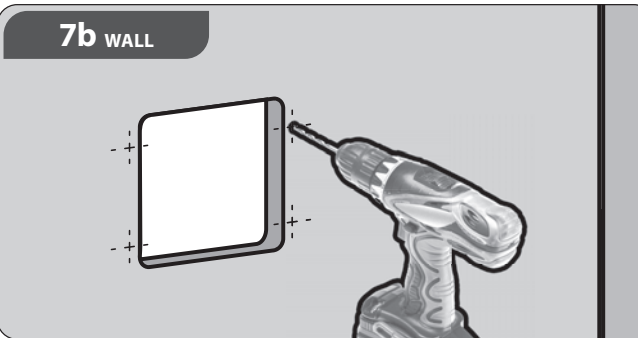
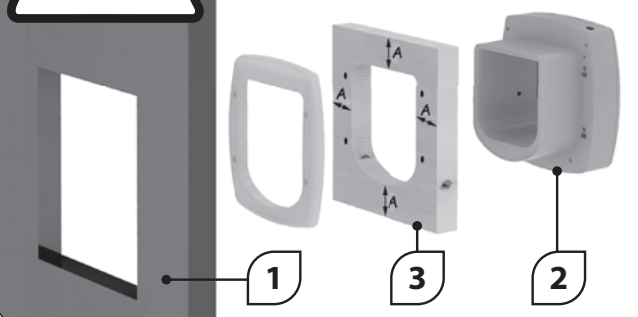


7 DOOR FITTING

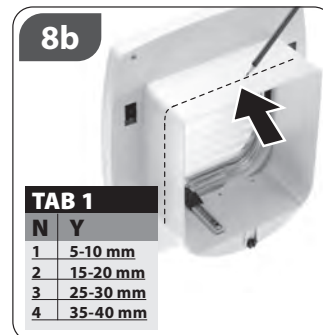


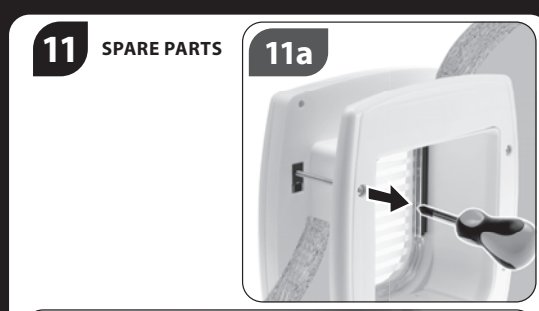
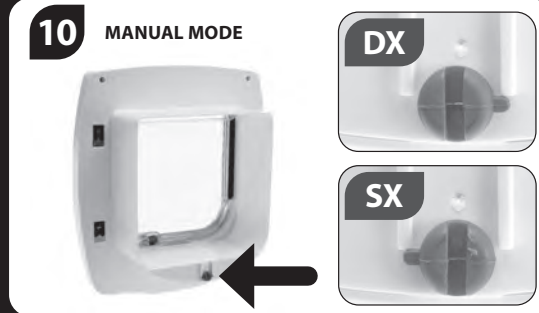
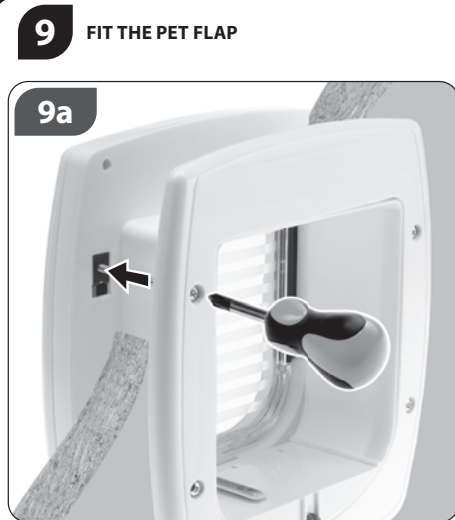
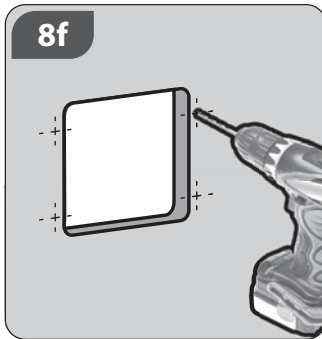
7a METAL DOOR

- 1 METAL DOOR
- 2 SWING 7 MAGNETIC
- 3 INSULATION PANEL (A=50mm)



8 CUT THE TUNNEL



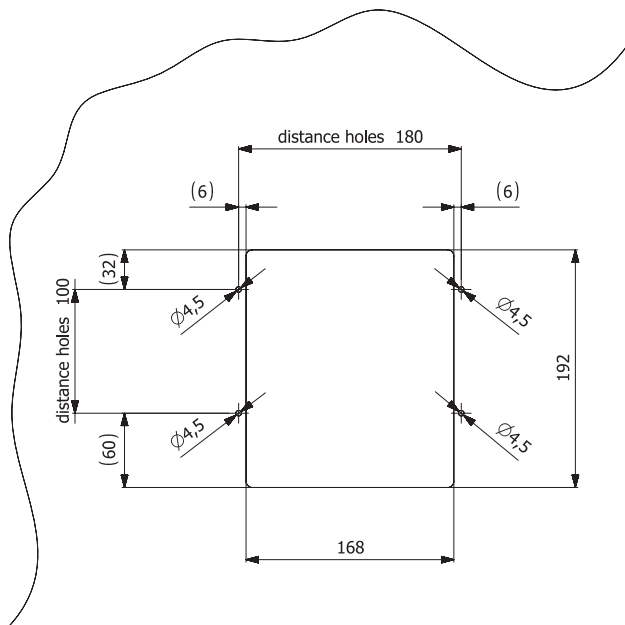
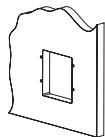


SWING 5 - 7 MAGNETIC

12a

WOODEN DOORS

Unit of measurement = mm



13a

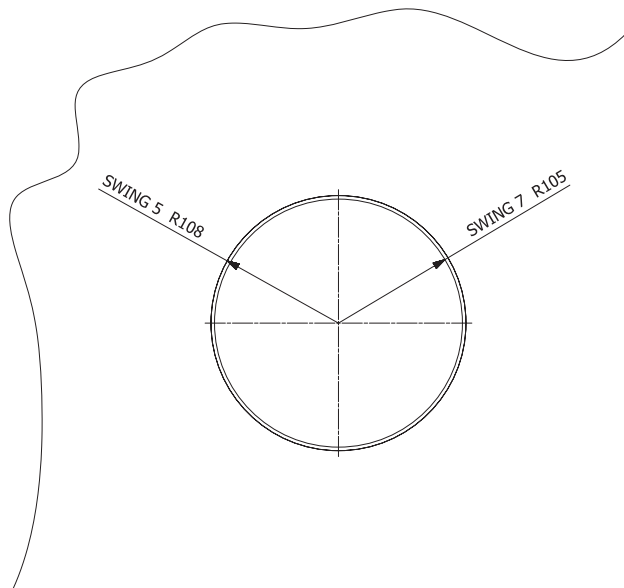
GLASS DOORS

SWING 5

R = 108 mm

SWING 7

R = 105 mm

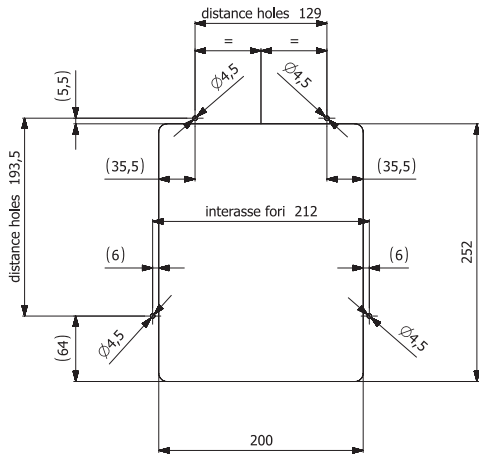
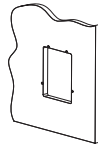


SWING 9

12b

WOODEN DOORS

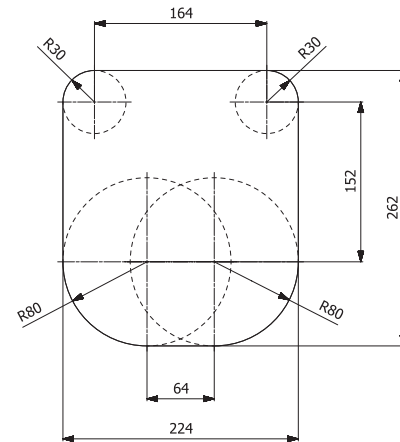
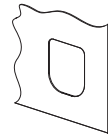
Unit of measurement = mm



13b

GLASS DOORS

Unit of measurement = mm

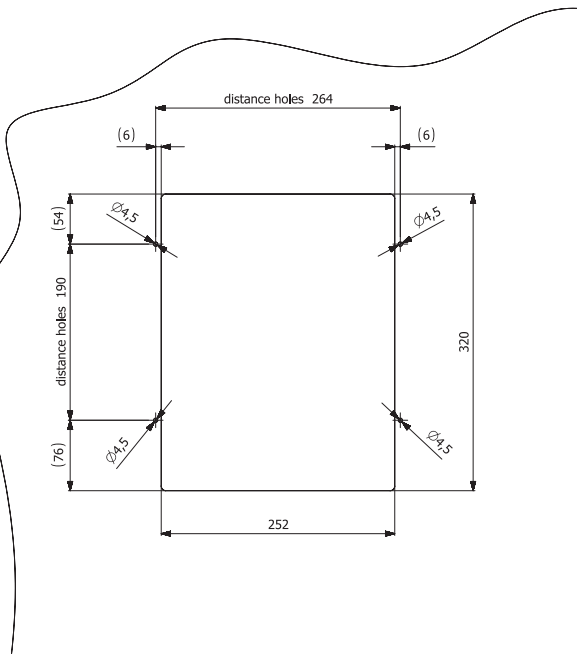
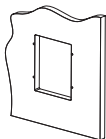


SWING 11

12c

WOODEN DOORS

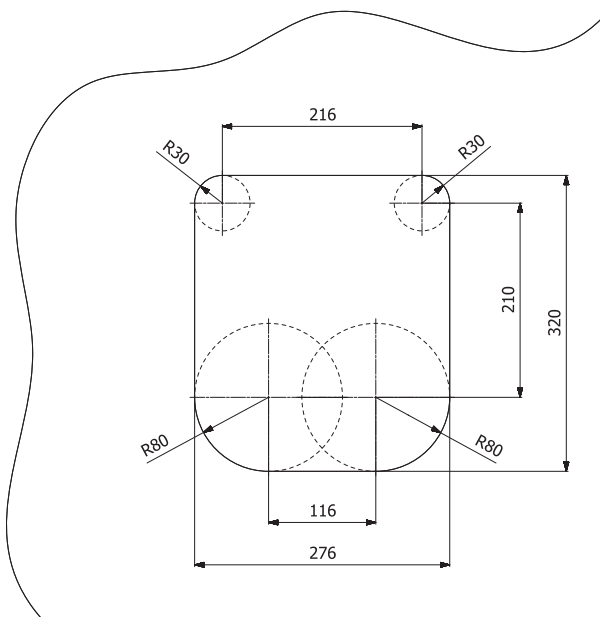
Unit of measurement = mm



13c

GLASS DOORS

Unit of measurement = mm

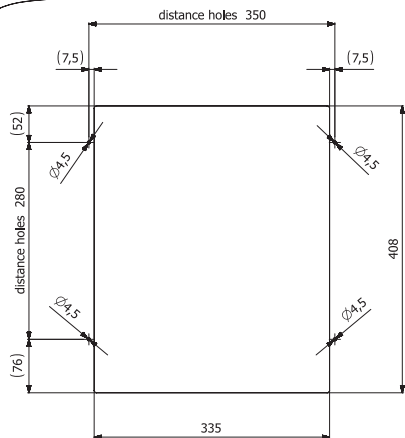
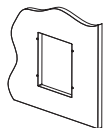


SWING 15

12d

WOODEN DOORS

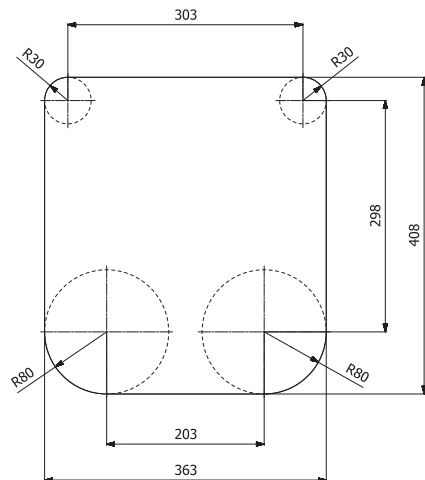
Unit of measurement = mm



13d

GLASS DOORS

Unit of measurement = mm



GB

MORE FREEDOM FOR YOUR PET, MORE FREEDOM FOR YOURSELF!

Please read all the instructions carefully before starting to install SWING pet flap.

Warning: For Pet use only. Choose the model in compliance with your pet's size. This product (included the lock mode) will not prevent unwanted animals or people (including children) from passing through the door. Ferplast will not be responsible for these unintended uses and the purchaser of this product accepts full responsibility for the opening it creates. Keep away from children; this product should not be used by person with any kind of disability. Keep small parts far from children for avoiding choking hazard. To be used by person of suitable age and discretion. Inspect regularly and replace if any part becomes damaged, loose or detached. Dispose properly of the product in accordance with the laws and regulations.

A door all to themselves. The SWING pet flap is as useful for them as it is for you. You can use it to leave your cat or dog free to come in and out of the garden, giving them freedom that would otherwise be denied. You can also use it to offer them their own 'personalised' door that allows them to come in or go out safely. With all its functions the SWING pet flap can be made to fit all yours and your pets requirements: you can allow your pets to re-enter but not to go back out. You can arrange it so that the flap opens just for them. You can even see, with just one glance, if they are indoors or outdoors. Let's see how.

THE WONDERS OF THE SWING PET FLAP

The 4-way locking system: It's so convenient! (1)

The SWING pet flap has been designed to meet all your requirements and those of your pet. For this reason you can rely on the original 4-way locking system that enables you to control the usage by your pet. You can choose between the following: Access only / Exit only / Access and exit / Closed.

For further safety, the SWING 11 and SWING 15 versions use a double locking system that is controlled by just one knob, all for the sake of simplicity.

Windstopper system (2)

Innovative system preventing draughts.

Antishocking system

End stroke shock absorber in the door maximum opening (only on SWING 9, 11, 15 versions).

The last IN or OUT direction indicator: You always know where they are (3)

The SWING 5 and SWING 7 MAGNETIC use the last IN or OUT direction indicator. It is a system that will help you know whether your pet is indoors or outdoors. This feature is useful if you have to go out and you can't find your pet. A quick glance is sufficient: the "flag" (see picture) on the bottom part of the pet flap will point in the last direction in which your pet went through the flap after it closed.

Warning! In severe weather conditions (wind, etc.) the total reliability of this system cannot be guaranteed. If your pet should open the flap without actually going through the tunnel, the indicator would not be reliable.

The magnetic system: a key all to themselves (4)

The SWING 7 MAGNETIC flap is also equipped with a magnetic key, being a small and handy tab to be attached to your pet's collar. The magnetic key allows your pet to open the flap simply by approaching it. The device is particularly useful, as it allows only your pet to come into the house, so you don't risk meeting up with unwanted guests

in your home. **Warning!** The magnetic system does not work near metal objects, which could interfere with the reliable operational efficiency of the mechanism. If installed in double-glazed doors, where there is a metal strip in between the panes, this must not be in contact with the flap, unless a plastic separation strip is required. The magnetic system does not work if the flap is installed to metal doors, for example metal doors covered in uPVC (Ultra Resistant Polyvinyl Chloride), doors with metal panels or security doors. The metal door must be isolated (7a).

HOW TO TEACH YOUR PET TO USE THE SWING FLAP. To teach

your pet how to use the SWING flap is much easier than you think. It is important not to expect too much from your pet but to let it learn in its own time. The easiest way for your pet to discover it is to leave the flap completely open. Pets are curious by nature and will be quickly tempted to go through the open flap towards freedom. If this is not the case – and your pet isn't that adventurous – you can always fall back on a foolproof method: of blackmail, metaphorically speaking. Simply prepare their favourite food and put it in front of its nose, firstly on one side of the flap and then the other side. Your cat or dog will just not be able to resist the temptation.

And now... push! Once your pet has got used to going through the flap, it's time to face the next step. Leave the pet flap closed, but not locked: your pet, who now considers the flap to be its own, will not think twice about pushing it to get to the other side. And if this doesn't happen straight away, go back to the old food 'blackmail' method. One sniff and your dog or cat will naturally attempt to reach its target. It's a proven method. Often a move of house may provide another reason to install the pet flap. If you have just moved, remember that your pet also needs time to become familiar with their new surroundings too. Therefore don't rush: Only when your pet feels perfectly at home, will it feel the need to discover all the secrets and new adventures, amongst which, its own private door. As for the lock, you need a little patience: only start to lock the flap once your pet is used to coming in and going out of it. Cats and dogs will soon learn that the door is not always open, but it still remains a wonderful way of coming in and going out all on their own.

How to install: without mistakes. Read these instructions carefully and you will find that the pet flap is easier to install than you think. The tools required are the following: Pencil, Drill, Template (supplied in the pack), Jig saw, Screwdriver.

Wooden doors (5)

5a Measure the belly height of your pet from the floor and position the template (side A) on the door with the bottom at the same height. Mark around the perimeter of the TEMPLATE on the door using the marker.

5b Drill 4 holes in the corners of the marked area.

5c Cut along the perimeter using the jig saw to join the 4 holes.

5d Smooth the edges using a file or sandpaper. 12a/b/c/d

The biggest job is done. Go to paragraph "**Cut the tunnel!**"

Glass doors (6)

Warning! Cutting glass can be dangerous. You must consult a glass merchant before starting the job. It is impossible to drill holes in toughened safety glass or double-glazing unless they

have already been drilled when the panes are manufactured.

- 6a Measure the belly height of your pet from the floor and position the template (side A) on the door with the bottom at the same height. Mark the bottom side using a marker, you will use it as the base to center the compasses on the points marked on the template.

Then follow these instructions:

- 6b drill a circular hole with radius of 108 mm if your pet flap is SWING 5, of 105 mm if it is SWING 7 MAGNETIC (The centre of the hole is marked on the template). 13a
- 6c drill four circular holes in the four corners of the pet flap, if it is SWING 9, SWING 11 or SWING 15. Then cut the tangents of the 4 holes to obtain a unique opening on the glass. (The centre of the holes are marked on the template). 13b/c/d

The biggest job is done. Go to paragraph "**Cut the tunnel**"

Metal doors (7a)

Follow the same instructions as those for wooden doors. The only difference lies in the fact that the SWING 7 MAGNETIC needs to be isolated in metal doors for the key to be able to work. It is to be isolated using a non-metal material (wood or similar), which must have a minimum thickness of 40 mm around the entire perimeter. This prevents any interference and ensures the correct operational efficiency of the magnetic mechanism. The biggest job is done. Go to paragraph

"Cut the tunnel"

Walls (7b)

Follow the same instructions as those for wooden doors. (Jobs 5b, 5c and 5d are to be done using suitable tools). The tunnel supplied can be installed in walls with a thickness of more than 55 mm. In this case the tunnel must be extended in cement plastering. The biggest job is done.

Cut the tunnel (8)

Warning! Do not cut the tunnel of the SWING 7 MAGNETIC because it contains delicate mechanism!

Cut the tunnel to the required length, this only takes a few minutes and will hide all the uneven edges.

- 8a Measure depth "Y" of the support (door or wall) on which the pet flap is to be installed.
- 8b Mark a line along the outer surface of the tunnel at a distance "Y" plus 8 mm. You can use the template (side B) that has been printed with the 4 most common installations sizes (Tab 1) where "N" indicates the slit to be used to mark the line and "Y" indicates the thickness of the support on which the pet flap is to be installed. Place the template on the tunnel and mark a line by the slit relative to the required installation size.

- 8c Repeat the marking of a line on the other sides of the tunnel.

- 8d Cut the tunnel using a jig saw, starting from one of the corners and continuing along the perimeter. Do not cut two sides next to each other or parallel at the same time to avoid moving away from the references.

Warning! The tunnel supplied is suitable for installations from 0 to 55 mm in thickness. The outer surface has one or a number of grooves, depending on which version, positioned to match those of the most used installation sizes. The purpose of these is to make it easier to cut the tunnel. Before cutting along these grooves, ensure that the size of the tunnel you are about to cut is compatible with your wooden, glass, or walls thickness.

- 8e The 4-way locking system is to be fitted on the inner side of the door. Position the flap on the hole and using a marker, mark the positions where the screws are required.

- 8f Remove the flap and drill 4 holes using a drill with a 4.5 mm bit.

Fit the pet flap (9)

- 9a Fit the flap and secure it with the screws supplied, which may have to be cut and filed to remove any sharp edges. 4 short screws are supplied for fitting to glass doors and fly screens and 4 long screws for all other installations on a thickness of up to 55 mm. The 4 long screws will have to be shortened for installations on an intermediary thickness (i.e.: for installations on a thickness of 45 mm shorten the screws by 10 mm; for installations on a thickness of 35 mm shorten the screws by 20 mm, and so on). Instead, you could purchase a new set of screws to your specifications at your local hardware store. Too short a screw could strip the thread whereas too long a screw could break the front panel of the pet door.

- 9b To finish the job, cover the screw holes using the plugs supplied, making sure to match the rib to the seat.

YOUR SWING PET FLAP IS NOW READY TO USE!

A quick test for the magnetic key (4)

If you have purchased the SWING 7 MAGNETIC model we advise you to carry out this quick test to make sure it works.

- 4a From outdoors, ensure that the four-way locking system is in the "access and exit" position. Holding the magnetic key in front of you, with the name Ferplast at the bottom and the arrow pointing

towards the flap. The cat flap mechanism should trigger at roughly 10 cm from the flap.

- 4b Secure the magnetic key to the collar with the arrow facing your pet's head (4b). Do not hang anything else but the magnetic key on the collar to avoid interference with the opening system. Ensure that the collar is neither too tight nor too loose (you should be able to slip the collar off your pet). The magnetic key should ideally hang so that the bottom part is just above the bottom edge of the tunnel when the cat approaches the pet flap (4c). If the magnet is not at a distance from the bottom edge of the tunnel of between 0-4 cm (0-1,5"), the cat could have difficulty in triggering the opening mechanism (4d-4e).

Manual mode (10)

If you do not wish to use the magnetic system, the cat flap can be converted to work manually. To do so, turn the cut-out screw situated on bottom edge of the tunnel by 180°, from the DX position (mechanism enabled) to the SX position (mechanism disabled) as illustrated. **Important!** This procedure is extremely useful if your pet should loose the magnet.

Cleaning: effective, quick and easy

This pet flap is made of remarkable high quality plastic. The flap is reinforced and has been designed to last with time. To keep it in working order simply clean it now and again with a damp cloth.

Spare parts (11)

The flap has been designed to allow every single damaged part to be replaced. In particular, the pivoting flap can be replaced taking away the screws of the rear part in the main door (11a). When placing a spare flap in SWING 11 and 15 models make sure that springs are correctly fitted in the hinges (11b).

Our after sales service.

In the rare case of accidental breakage, we are pleased to offer you our wide range of spare parts for the pet flap you have purchased. Please contact your local Ferplast dealer.

WARRANTY. This product all its parts and accessories are covered by warranty within the limits provided for in this paragraph and the legal regulations currently in force. The guarantee only covers manufacturing defects and includes the repair or replacement of the product free of charge. The guarantee does not cover damage and/or defects caused by carelessness, wear, unsuitable usage not complying with the instructions and warnings in this manual, accidents, tampering, incorrect use, bad repair work or purchases not accompanied by a fiscal receipt.

GB

IT

FR

DE

NL

ES

PT

SK

CS

HU

SV

DA

PL

RU

GB

PIÙ LIBERI LORO, PIÙ SICURI VOI!

Attenzione! Leggere attentamente le istruzioni prima di installare la portina SWING

IT

Attenzione!: solo per utilizzo con animali domestici. Scegli il modello adatto per la taglia del tuo animale. Questo prodotto (anche in modalità chiusa) non impedisce ad animali indesiderati o persone (inclusi i bambini) di passare attraverso la porta. Ferplast non sarà responsabile delle modalità di impiego non previste e chi acquista il prodotto si assume la piena responsabilità delle aperture che crea. Tenere lontano dai bambini; questo prodotto non dovrebbe essere usato da persone affette da qualsiasi tipo di disabilità. Tenere le piccole parti lontane dai bambini per prevenire il rischio di soffocamento. Il prodotto va utilizzato da persone di età e capacità di giudizio adeguate. Controllare regolarmente e sostituire le parti danneggiate, perse o staccate. Disporre adeguatamente del prodotto in accordo con le leggi e le regolamentazioni.

FR

DE

NL

ES

PT

SK

CS

HU

SV

DA

PL

RU

Una porta tutta per loro. La portina SWING è utile a loro quanto a voi. Potete usarla per lasciare al vostro cane o gatto la libertà di entrare e uscire dal terrazzo, trovando quella libertà che altrimenti sarebbe loro negata; ma potete usarla anche per dar loro una porta "personalizzata" che li farà rincasare in tutta sicurezza. Con tutte le sue funzioni poi, la portina SWING si fa gestire su misura delle vostre esigenze: potete permettere ai vostri animali di rientrare ma non di uscire nuovamente; potete fare in modo che la porta si apra solo per loro; potete perfino capire, con una sola occhiata, se sono in casa o meno. Scoprite come.

LE MERAVIGLIE DELLA PORTINA SWING**Il sistema di chiusura a 4 vie: che comodità! (1)**

La portina SWING nasce su misura per le esigenze vostre e per quelle del vostro animale. Per questo contate sull'originale sistema di chiusura a 4 vie che vi permette di gestire l'entrata e l'uscita dell'animale.

Scegliete tra: Solo entrata / Solo uscita / Entrata e uscita / Chiuso.

Per una maggiore sicurezza i modelli SWING 11 e SWING 15 contano su un doppio sistema di chiusura comandato, per semplicità, da una sola manopola.

Windstopper system (2)

Innovativo sistema di protezione contro le correnti d'aria.

Antishocking system

Ammortizzatore di fine corsa nella massima apertura della porta (solo su SWING 9-11-15).

L'indicatore di ultimo passaggio IN/OUT: e sai sempre dov'è (3)

I modelli SWING 5, SWING 7 MAGNETIC contano sull'indicatore di ultimo passaggio (IN/OUT), un dispositivo che vi aiuterà a capire se il vostro animale è in casa o fuori. Questa caratteristica potrebbe risultare particolarmente utile nel caso in cui dobbiate uscire di casa e non troviate il vostro animale. Basta un'occhiata: la "bandierina" (vedi figura) sulla parte inferiore dello sportello rimarrà orientata nella direzione dell'ultimo passaggio del vostro animale dopo la chiusura dello sportello. **Attenzione!** In caso di condizioni atmosferiche particolarmente severe (vento, ecc.) non è possibile garantire la totale affidabilità del sistema. Nel caso in cui il vostro animale aprisse lo sportello senza completare il passaggio del tunnel, l'indicatore non rivelerebbe il vero.

La chiave magnetica: una chiave tutta per loro (4)

La portina SWING 7 MAGNETIC conta anche sulla chiave magnetica, una piccola e pratica placca, da applicare al collare dell'animale. La chiave magnetica permette all'animale di aprire la portina semplicemente avvicinandosi. Il dispositivo è particolarmente utile perché permette solo al vostro animale di entrare in casa, e non rischiate di trovare sgraditi ospiti nella vostra abitazione.

Attenzione! Il sistema magnetico della SWING 7 MAGNETIC non funziona in prossimità di elementi metallici che potrebbero interferire con il buon funzionamento del meccanismo. Se installata su finestre con doppi vetri, separati da canalina metallica, è opportuno che questa rimanga staccata dallo sportello, a meno che non si faccia uso di una canalina di separazione in plastica. Il sistema magnetico non funziona se montato su porte in metallo, per esempio porte di metallo rivestite in cloruro di polivinile ultra resistente (uPVC), porte con rivestimento di metallo o porte di sicurezza. È necessario isolare la porta in metallo (7a).

COME INSEGNARE AL VOSTRO ANIMALE L'USO DELLA PORTINA SWING.

Far capire al vostro animale l'uso della portina SWING è molto più facile di quanto si creda. L'importante è non pretendere troppo ma rispettare i suoi tempi fisiologici. Lasciare spalancata la portina è il metodo più semplice per farla scoprire al vostro animale. Curioso per natura, sarà presto tentato di passare attraverso quella porta spalancata verso la libertà. In caso contrario - se proprio il vostro animale non vorrà saperne di prendere quella strada - potete sempre ricorrere a un metodo infallibile: prendetelo... per la gola. Vi basta quindi preparare del cibo e sistemarlo in bella vista prima al di qua e poi al di là della portina. Vedrete che il vostro cane o gatto non resisterà alla tentazione.

E adesso... spingere! Quando l'animale si sarà abituato a passare attraverso la portina spalancata, è tempo di affrontare il passo successivo. Lasciate la portina chiusa, ma non bloccata: l'animale, che ormai riconoscerà quel passaggio come suo, non ci penserà due volte a spingerla per passare dall'altra parte. E se questo non accadrà subito, ricorrete ancora una volta al cibo. Una sniffatina, e il vostro cane o gatto tenterà naturalmente di raggiungere il suo obiettivo. È un sistema collaudato. Spesso il trasloco è una ragione in più per installare la portina. Se avete traslocato anche voi, tenete presente che il vostro animale ha i suoi tempi per abituarsi al nuovo ambiente. Perciò non abbiate fretta: solo quando si sentirà finalmente a casa sua, avrà gli stimoli giusti per scoprire tutti i segreti e le novità, tra cui la sua portina. Per quel che riguarda la serratura, abbiate un po' di pazienza: solo quando l'animale sarà abituato ad entrare e uscire dalla portina cominciate a chiuderla a chiave. Cani e gatti imparano a capire che la portina non sempre è aperta, ma che resta comunque un meraviglioso passaggio tutto per loro.

IL MONTAGGIO: ANDATE A COLPO SICURO. Leggete attentamente queste istruzioni e il montaggio della portina sarà molto più facile di quanto sembra. Gli arnesi da lavoro necessari sono: Matita, Trapano, Dima (inclusa nella confezione), Seghetto e Cacciavite.

Porte di legno (5)

5a Misurate l'altezza della pancia dell'animale e posizionate la dima (lato A) con il lato inferiore alla stessa altezza. Tracciate con il pennarello il perimetro della DIMA sulla porta.

5b Praticate 4 fori con il trapano in corrispondenza degli angoli del tracciato.

5c Tagliate con il seghetto lungo il perimetro, unendo i 4 fori.

5d Levigate i bordi con una lima o carta vetrata. 12a/b/c/d

Il più è fatto. Andate al paragrafo "Rifilare il tunnel".

Porte di vetro (6)

Attenzione! Tagliare il vetro può essere pericoloso. Prima dell'operazione è consigliabile consultare un vetraio. Non è possibile praticare dei fori su vetro di

sicurezza temprato o su doppi vetri, a meno che non siano stati eseguiti al momento della fabbricazione.

6a Misurate l'altezza della pancia dell'animale e posizionate la dima (lato A) con il lato inferiore alla stessa altezza. Tracciate con il pennarello il lato inferiore. Lo userete come base per centrare il compasso nei punti indicati nella DIMA.

Praticare:

6b un foro circolare di raggio 108 mm se la vostra portina è il modello SWING 5 o di 105 mm se è la SWING 7 MAGNETIC (il centro per il foro è segnato sulla dima). 13a

6c quattro fori circolari in corrispondenza dei quattro angoli della portina se la vostra portina è la SWING 9, 11 o 15. In seguito, tagliate le tangenti ai 4 cerchi per ottenere un'unica apertura nel vetro. (I centri per i fori sono segnati sulla dima). 13b/c/d

Il più è fatto. Andate al paragrafo **"Rifilare il tunnel"**.

Porte di metallo (7a)

Le istruzioni sono le stesse del legno. Unica differenza, il fatto che su porte di metallo la chiave magnetica della versione SWING 7 MAGNETIC ha bisogno di essere isolata affinché la chiave magnetica funzioni. L'isolamento va fatto con materiale non metallico (legno o similare) e dovrà avere uno spessore minimo di 40 mm su tutto il perimetro. Questo permette di evitare interferenze e garantisce il corretto funzionamento del meccanismo magnetico. Il più è fatto. Andate al paragrafo **"Rifilare il tunnel"**.

Pareti (7b)

Le istruzioni sono le stesse del legno. (Le operazioni 5b, 5c e 5d sono da effettuare con una attrezzatura adeguata). Il tunnel fornito in dotazione può essere installato anche su pareti di spessore superiore a 55 mm. In questo caso è opportuno completare il tunnel in muratura. Il più è fatto.

Rifilare il tunnel (8)

Attenzione! Non rifilate il tunnel nel modello SWING 7 MAGNETIC: contiene un meccanismo delicato!

L'operazione è necessaria per ottimizzare la profondità del tunnel alla vostra installazione. Bastano pochi minuti per una finitura perfetta, che nasconde tutte le parti manipolate.

8a Misurate la profondità "Y" del supporto (porta o parete) su cui desiderate installare la portina.

8b Tracciate una linea lungo la superficie esterna del tunnel ad una distanza "Y" maggiorata di 8 mm. Potete usare la dima (lato B) predisposta per le quattro installazioni più comuni (Tab 1) dove "N" indica la feritoia da usare per la tracciatura, e "Y" lo spessore del supporto su cui effettuare l'installazione. Posizionate la dima sul tunnel e tracciate una riga in corrispondenza della feritoia relativa all'installazione desiderata.

8c Ripetete l'operazione per gli altri lati del tunnel.

8d **Attenzione!** Il tunnel fornito nella confezione è adatto per installazioni da 0 a 55mm di spessore. La superficie esterna presenta uno o più scalini, a seconda delle versioni, posizionati in corrispondenza di alcune delle installazioni più comuni. Lo scopo è agevolare l'operazione di taglio del tunnel. Prima di tagliare in corrispondenza di questi riferimenti, accertatevi che l'installazione che vi apprestate a fare sia compatibile con la posizione di questi riferimenti. Rifilate il tunnel con un seghetto cominciando da uno degli angoli e proseguite lungo il perimetro. Evitate di tagliare due pareti, adiacenti o parallele, contemporaneamente, per non scostarsi dai riferimenti.

8e La serratura a 4 vie va posta sul lato interno della porta. Posizionate lo sportello sul foro e segnate con una matita i punti in cui inserire le viti. (escluse porte in vetro).

8f Togliete lo sportello e fate 4 buchi usando un trapano con punta da 4,5 mm.

Montare lo sportello (9)

9a Montate lo sportello fissandolo con le viti in dotazione, le quali, se necessario, dovranno essere tagliate e limate per evitare bordi taglienti. Sono fornite in dotazione 4 viti corte per installazioni su vetro e zanzariere e quattro viti lunghe per tutte le altre installazioni su spessori fino a 55 mm. Per installazioni su spessori intermedi è necessario accorciare le quattro viti lunghe (ad esempio: per installazioni su spessori di 45 mm accorciate le viti di 10 mm; per installazioni su spessori di 35 mm accorciate le viti di 20mm, eccetera). Una vite troppo corta potrebbe spanare le sedi mentre una vite troppo lunga potrebbe sfondarle!

9b Per rifinire il lavoro, coprite i fori per le viti con i tappi forniti in dotazione, facendo attenzione ad orientarli correttamente servendovi dell'apposito dentino.

ORA IL VOSTRO SPORTELLINO SWING È PRONTO PER L'USO!

Un piccolo test per la chiave magnetica (4)

Se avete il modello SWING 7 MAGNETIC, vi consigliamo di eseguire questo piccolo test per verificarne la funzionalità.

4a Accertatevi, dall'esterno della vostra abitazione, che la serratura a quattro vie sia nella posizione aperta di "entrata e uscita". Prendete la chiavetta magnetica e tenetela in modo orizzontale di fronte a voi, con il nome Ferplast in basso e la freccia puntata verso lo sportello. L'attivazione del meccanismo dovrebbe avvenire ad una distanza di circa 10

cm dallo sportello.

4b Fissate la chiave magnetica al collare con la freccia rivolta verso la testa del gatto (4b). Si raccomanda di non appendere nulla al di fuori della chiave magnetica al fine di non creare disturbi al sistema di apertura. Accertarsi che il collare non sia né troppo stretto né troppo lasco (il collare dovrebbe essere sfilabile dal collo dell'animale). Idealmente la chiavetta magnetica dovrebbe penzolare in modo che la parte inferiore sia appena sopra al bordo inferiore del tunnel quando il gatto si avvicina alla portina (4c). Se la calamita non si trova ad una distanza compresa tra 0-4 cm (0-1,5"), il gatto potrebbe avere difficoltà ad attivare il meccanismo d'apertura (4d-4e).

Il funzionamento manuale (10)

Se non si desidera usare la serratura magnetica lo sportellino per gatti può essere convertito nella modalità manuale. Per far ciò, ruotare di 180° la vite di esclusione posta sul davanzale all'esterno della portina, dalla posizione DX (meccanismo inserito) a quella SX (meccanismo disinserito) come illustrato. **Importante!** Questa operazione è molto utile in caso di perdita del magnete da parte dell'animale.

La pulizia: efficace, facile e veloce

Questo sportello è realizzato con plastica della più alta qualità. Ha il battente rinforzato ed è stato progettato per durare nel tempo. Per mantenerlo in condizioni ottimali è sufficiente pulirlo di tanto in tanto con un panno umido.

Se serve un ricambio (11)

Lo sportello è stato progettato in modo che tutte le parti rotte o danneggiate possano essere rimpiazzate. In particolare, l'antina basculante si può sostituire togliendo le viti poste sul retro del corpo principale dello sportello (11a). Nella SWING 9, 11 o 15, quando si inserisce un'antina basculante di rimpiazzo, accertarsi che le molle del cardine siano inserite correttamente (11b).

La nostra assistenza. Nella remota possibilità di rotture accidentali, siamo lieti di poter offrire una vasta gamma di ricambi per il vostro sportello. Rivolgetevi al vostro rivenditore Ferplast di fiducia.

GARANZIA. Questo prodotto e tutti i suoi componenti ed accessori sono garantiti entro i limiti previsti dalla presente clausola e dalle disposizioni di legge vigenti. La garanzia è valida unicamente per difetti di fabbricazione e comprende la riparazione o la sostituzione gratuita. La garanzia decade per danni e/o difetti provocati da incuria, usura, uso non conforme alle indicazioni ed avvertenze riportate nel presente libretto, incidenti, manomissioni, uso improprio, riparazioni errate, acquisto non comprovato dallo scontrino fiscale.

GB

IT

FR

DE

NL

ES

PT

SK

CS

HU

SV

DA

PL

RU

GB

IT

FR

DE

NL

ES

PT

SK

CS

HU

SV

DA

PL

RU

PLUS DE LIBERTÉ POUR VOTRE ANIMAL, PLUS DE TRANQUILLITÉ POUR VOUS !

Attention: lisez attentivement toutes les instructions avant de commencer à installer la porte pour animaux SWING

ATTENTION: Pour animaux de compagnie uniquement. Choisissez le modèle en fonction de la taille de votre animal de compagnie. Ce produit (même en mode « verrouillé ») n'empêchera pas d'autres animaux ou personnes (enfants compris) de transiter par la porte. Ferplast ne sera pas responsable de cette utilisation involontaire. L'acheteur de ce produit assume l'entière responsabilité pour l'ouverture qu'il crée. Tenir à l'écart des enfants. Ce produit ne doit pas être utilisé par une personne avec tout type d'handicap. Garder les petites pièces loin d'enfants afin d'éviter le risque d'étouffement. Doit être utilisée par une personne d'âge approprié. Inspecter régulièrement le produit et remplacez-le si une partie est endommagée, détachée ou manquante. A jeter conformément aux lois et règlements.

Une porte rien que pour eux. La porte pour animaux SWING est idéale pour votre animal mais également pour vous. Vous pouvez l'utiliser pour laisser à votre chien ou chat le choix d'entrer et de sortir depuis la terrasse et de bénéficier d'une liberté, qui sans ce produit ne serait possible. Vous pouvez également l'utiliser pour qu'ils aient une porte personnalisée leur permettant de rentrer en toute sécurité. De plus et grâce à ses nombreuses fonctions, la porte SWING s'adapte à vos exigences : vous pouvez permettre à vos animaux de rentrer mais de ne pas sortir, vous pouvez régler la porte afin qu'elle ne s'ouvre que pour eux, vous pouvez savoir dans un coup d'œil, s'ils sont rentrés ou non.

LES ATOUTS DE LA PORTE POUR ANIMAUX SWING

Le système de fermeture à "4 positions" : les avantages ! (1)

La porte pour animaux SWING a été conçue sur mesure pour vos exigences et celles de votre animal. Pour cela, découvrez l'original système de fermeture "4 positions" qui vous permet de gérer l'entrée et la sortie de votre animal. Vous avez le choix entre un réglage sur : Entrée / Sortie / Entrée et sortie

/ Fermé.

Pour une plus grande sécurité, les versions SWING 9-15 bénéficient d'un double système de fermeture qui, par simplicité, est commandé par une poignée unique.

Windstopper system (2)

Nouveau système de protection contre les courants d'air.

Antishocking system

Amortisseur de fin de course dans la partie la plus grande de l'ouverture (SWING 9-11-15).

L'indicateur de dernier passage (IN/OUT): vous savez toujours où ils se trouvent (3)

Les versions SWING 5 et SWING 7 MAGNETIC bénéficient d'un indicateur de dernier passage (IN/OUT), vous permettant de savoir si votre animal est à l'intérieur ou à l'extérieur. Cela peut être très utile lorsque vous devez sortir et que ne trouvez pas votre animal. D'un simple coup d'œil: le "petit drapeau" (voir schéma) sur la partie inférieure du battant reste orienté, après la fermeture de celui-ci, dans la direction du dernier passage de votre animal. **At-**

tention! En cas de conditions atmosphériques particulières (vent fort, etc.), il est impossible de garantir la fiabilité du système. Si votre animal ouvre le battant sans traverser le tunnel, l'indicateur n'indiquera pas la position réelle.

La clé magnétique: une clé spécialement pour eux (4)

La porte pour animaux SWING 7 MAGNETIC adopte également une clé magnétique, petite plaque pratique à appliquer au collier de l'animal. La clé magnétique permet à l'animal d'ouvrir la porte pour animaux tout simplement en s'approchant d'elle. Ce système est très utile car il n'y a que votre animal qui peut rentrer. Aussi, il n'y a aucun risque de trouver des hôtes inattendus dans votre maison. **Attention!** Le système magnétique de

la SWING 7 MAGNETIC ne fonctionne pas à proximité d'éléments métalliques, car ceux-ci peuvent interférer avec le fonctionnement correct du mécanisme. Si la porte pour animaux doit être installée sur des fenêtres avec double vitrage avec intercalaire en métal, il faut que ce dernier reste éloigné du battant. Cela n'est pas nécessaire si l'intercalaire est en plastique. Le système magnétique ne fonctionne pas s'il est monté sur une porte en métal, par exemple une porte en métal re-

vêtue en chlorure de polyvinyle ultra-résistant (uPVC), une porte avec un revêtement de métal ou une porte de sécurité. Dans ce cas, il faut isoler la porte (7a).

COMMENT APPRENDRE À VOTRE ANIMAL À UTILISER LA PORTE POUR ANIMAUX SWING.

Faire comprendre à votre animal comment utiliser la porte pour animaux SWING est beaucoup plus facile que cela semble. L'important est de ne pas être trop exigeant et de respecter ses temps physiologiques. La méthode la plus simple pour que votre animal la découvre est de laisser la porte pour animaux ouverte. Curieux de nature, il sera rapidement tenté de passer à travers cette porte. Dans le cas contraire - si votre animal ne veut absolument pas l'utiliser - vous pouvez toujours recourir à une méthode infallible: prenez-le... par la gourmandise. Il suffit de préparer des aliments et de les placer bien en vue d'abord d'un côté puis de l'autre. Vous verrez que votre chien ou chat ne saura pas résister à la tentation.

Et maintenant... pousser! Lorsque l'animal sera habitué à passer à travers la porte ouverte, il faut passer à la 2ème étape. Laissez la porte pour animaux fermée sans cependant la bloquer: l'animal, qui reconnaît désormais ce passage comme lui appartenant, n'hésitera pas à la pousser pour passer de l'autre côté. Dans le cas contraire, recourez encore une fois aux aliments. Une reniflette, et votre chien ou votre chat essayera de manière autonome d'atteindre son objectif. C'est un système expérimenté. Le déménagement est souvent une raison de plus pour installer la porte pour animaux. Si vous avez déménagé, sachez que votre animal a besoin d'un certain temps pour s'habituer au nouvel environnement. Il y a donc pas impatients: ce n'est que quand il se sentira finalement chez lui qu'il éprouvera l'envie de découvrir tous les secrets et les nouveautés, parmi lesquels sa porte pour animaux. En ce qui concerne la serrure, il faut avoir un peu de patience. Ne fermer la porte à clé uniquement lorsque votre animal aura pris l'habitude d'entrer et sortir par la porte pour animaux. Les chiens et les chats apprendront que même si elle n'est pas toujours ouverte, la porte pour animaux est un merveilleux passage qui leur est réservé.

Le montage à coup sûr. Lisez attentivement ces instructions afin que le montage de la porte pour animaux soit facile. Les outils nécessaires sont: Crayon, Perceuse, Gabarit (fourni dans l'emballage), Scie, Tournevis.

Porte en bois (5)

- 5a Mesurez la hauteur du ventre de l'animal et positionnez le gabarit (côté A) avec le côté inférieur à cette même hauteur. Avec le feutre, tracez le périmètre du gabarit sur la porte.
- 5b Avec la perceuse, percez 4 trous au niveau des angles du dessin.
- 5c Avec une scie à guichet, coupez le long du périmètre, en unissant les 4 trous.
- 5d Poncez les bords avec une lime ou du papier émeri. 12a/b/c/d

Le plus dur est fait, aller au chapitre "Adapter le tunnel".

Porte vitrée (6)

Attention! Couper le verre peut être dangereux. Avant de procéder à l'opération, il est conseillé de consulter d'abord un vitrier. Il n'est pas possible de percer des trous sur le verre de sécurité trempé ou sur les doubles vitrages, à moins qu'ils n'aient été exécutés lors de la fabrication.

6a Mesurez la hauteur du ventre de l'animal et positionnez le gabarit (côté A) avec le côté inférieur à cette même hauteur. Avec le feutre, tracez le côté inférieur. Il vous servira de base pour centrer le compas sur les points indiqués sur le gabarit.

Pratiquer :

6b un trou circulaire d'un diamètre de 108 mm pour la SWING 5, de 105 mm pour la SWING 7 MAGNETIC (Le repère pour le trou est marqué sur le gabarit). 13a

6c quatre trous circulaires au niveau des quatre angles de la porte pour animaux si votre modèle est SWING 9, 11 ou SWING 15. Coupez ensuite les tangentes des 4 trous pour obtenir une ouverture unique sur le verre. (Les centres pour les trous sont marqués sur le gabarit). 13b/c/d

Le plus dur est fait, aller au chapitre "**Adapter le tunnel**".

Porte en métal (7a)

Les instructions sont les mêmes que pour la porte en bois. La seule différence est que, sur la porte en métal, la clé magnétique de la version SWING 7 MAGNETIC a besoin d'être isolée pour pouvoir fonctionner. L'isolation doit être effectuée avec un matériau non métallique (bois ou similaire) et avoir une épaisseur minimum de 40 mm sur tout le périmètre. Cela permet d'éviter les interférences et garantit le fonctionnement correct du mécanisme magnétique. Le plus dur est fait, aller au chapitre "**Adapter le tunnel**".

Murs (7b)

Les instructions sont les mêmes que pour la porte en bois. (Les opérations 5b, 5c et 5d doivent être exécutées avec des outils adéquats.) Le tunnel fourni peut être installé sur des murs d'une épaisseur supérieure à 55 mm. Dans ce cas, il sera nécessaire de compléter le tunnel en maçonant. Le plus dur est fait.

Adapter le tunnel (8)

Attention! Ne découpez pas le tunnel dans la version SWING 7 MAGNETIC: il contient un mécanisme délicat!

Cette opération est nécessaire pour optimiser la profondeur du tunnel en fonction de votre installation. Quelques minutes sont suffisantes pour une parfaite finition, nécessaires pour cacher les parties travaillées.

8a Mesurez la profondeur "Y" du support (porte ou mur) sur lequel vous désirez installer la porte pour animaux.

8b Tracez une ligne le long de la surface externe du tunnel à une distance "Y" majorée de 8 mm. Vous pouvez utiliser le gabarit (côté B), prévu pour les quatre installations les plus communes (Tab 1), où "N" indique l'ouverture à utiliser pour le traçage et "Y" l'épaisseur du support sur lequel effectuer l'installation. Positionnez le gabarit sur le tunnel et tracez

une ligne au niveau de l'ouverture relative à l'installation désirée.

8c Répétez l'opération pour les autres côtés du tunnel.

8d Adaptez le tunnel avec une scie en commençant par l'un des angles, puis continuez sur le périmètre. Ne pas découper deux parois adjacentes ou parallèles en même temps afin de ne pas s'écarter des repères.

Attention! Le tunnel fourni dans l'emballage est adapté pour des installations dont l'épaisseur est comprise entre 0 à 55 mm. La surface externe présente un ou plusieurs repères, en fonction des versions, positionnés au niveau des installations les plus communes. Le but est de faciliter l'opération de découpe du tunnel. Avant d'exécuter la découpe au niveau des repères, assurez-vous que l'installation que vous allez exécuter est compatible avec la position de ces repères.

8e La serrure à "4 positions" doit être placée sur le côté interne de la porte. Positionnez le battant sur le trou et marquez avec un crayon les points où introduire les vis.

8f Enlevez le battant et percez 4 trous en utilisant une perceuse avec un foret de 4,5 mm.

Monter le battant (9)

9a Montez le battant en le fixant avec les vis fournies qui, si nécessaire, devront être coupées et limées pour éviter des bords tranchants. 4 vis courtes sont fournies pour l'installation sur vitre et moustiquaires et quatre vis longues sont fournies pour toutes les autres installations dont l'épaisseur atteint 55mm. Pour des installations sur des épaisseurs intermédiaires, il faut raccourcir les quatre vis longues (par exemple: pour les installations sur des épaisseurs de 45 mm, raccourcir les vis de 10 mm; pour les installations sur des épaisseurs de 35 mm, raccourcir les vis de 20 mm, et ainsi de suite). Une vis trop courte peut abîmer les sièges, tandis qu'une vis trop longue peut les percer!

9b Couvrez les trous des vis avec les bouchons fournis, en veillant à les orienter correctement à l'aide de l'ergot prévu à cet effet, de façon à parachever le travail.

VOTRE PORTE POUR ANIMAUX SWING EST PRÊTE À ÊTRE UTILISÉE!
Un essai rapide de la clé magnétique (4)

Si vous possédez la version SWING 7 MAGNETIC, nous vous conseillons d'exécuter ce petit essai pour vérifier le fonctionnement correct.

4a Assurez-vous, depuis l'extérieur de votre maison, que la serrure à " quatre positions " est en position ouverte d'"entrée et sortie". Prenez la clé magnétique et maintenez-la à l'horizontale devant vous, avec le

nom Ferplast en bas et la flèche orientée vers le battant. L'activation du mécanisme doit s'effectuer à une distance d'environ 10 cm du battant.

4b Fixez la clé magnétique au collier avec la flèche orientée vers la tête du chat (4b). Nous vous recommandons de ne rien accrocher d'autre que la clé magnétique afin de ne pas créer des interférences avec le système d'ouverture. Assurez-vous que le collier n'est ni trop étroit ni trop large (on doit pouvoir désenfiler le collier du cou de l'animal). L'idéal est que la clé magnétique penche de façon à ce que la partie inférieure se trouve juste au-dessus du bord inférieur du tunnel quand le chat s'approche de la porte pour animaux (4c). Si l'aimant ne se trouve pas à une distance comprise entre 0-4 cm (0-1,5"), le chat peut rencontrer des difficultés à activer le mécanisme d'ouverture (4d-4e).

Le fonctionnement manuel (10)

Si vous ne désirez pas utiliser la serrure magnétique, la porte pour animaux peut être réglée en mode manuel. Pour ce faire, tournez de 180° la vis d'exclusion, située sur le rebord à l'extérieur de la porte pour animaux, de la position DX (mécanisme activé) à la position SX (mécanisme désactivé), de la façon illustrée. **Important!** Cette opération est très utile si l'animal perd l'aimant.

Le nettoyage: efficace, facile et rapide

Cette porte pour animaux est réalisée en plastique de haute qualité. Son battant est renforcé et elle a été conçue pour durer dans le temps. Pour la maintenir en bon état, il suffit de la nettoyer périodiquement avec un chiffon humide.

Demander une pièce de rechange (11)

La porte a été conçue afin que toutes les parties cassées ou endommagées peuvent être remplacées. En particulier, la porte pivotante pourra être remplacée en enlevant les vis se situant derrière la partie principale (11a). Lors du remplacement de la porte pivotante pour les SWING 11 et 15 assurez-vous que les ressorts de la charnière sont bien fixés (11b).

Notre service après-vente.

En cas de ruptures accidentelles, nous serons heureux de vous proposer un large choix de porte pour animaux en remplacement. Contactez votre revendeur Ferplast de confiance.

GARANTIE Ce produit, toutes ses pièces et accessoires sont couverts par la garantie dans les limites prévues à ce paragraphe et conformément aux dispositions légales en vigueur. La garantie couvre uniquement les défauts de fabrication et comprend la réparation ou le remplacement gratuit. La garantie déchoit en cas de dommages et/ou de défauts provoqués par négligence, usure, utilisation non-conforme aux indications et avertissements reportés dans ce manuel, accidents, altérations, utilisation incorrecte, réparations erronées, achat non prouvé par document fiscal. Les mousses, les joints et les matières filtrantes en général sont exclus de la garantie.

GB

IT

FR

DE

NL

ES

PT

SK

CS

HU

SV

DA

PL

RU

GB

IT

FR

DE

NL

ES

PT

SK

CS

HU

SV

DA

PL

RU

MEHR FREIHEIT FÜR IHR HAUSTIER, MEHR SICHERHEIT FÜR SIE SELBST!

Achtung: Bitte lesen Sie die Anweisungen sorgfältig durch, bevor Sie die Haustiertür SWING zu installieren

Warnhinweis: Nur für Haustiere. Wählen Sie das Größenmodell entsprechend der Größe Ihres Haustieres. Dieses Produkt verhindert nicht (auch nicht im verriegelten Zustand) das unerwünschte Tiere oder Personen (inklusive Kindern) sich Zutritt verschaffen. Ferplast ist nicht verantwortlich für einen solchen unsachgemäßen Gebrauch und der Käufer dieses Produktes übernimmt die volle Verantwortung für den eingerichteten Zugang. Von Kindern fernhalten; dieses Produkt sollte nicht durch Personen mit einer Behinderung verwendet werden. Halten Sie Kleinteile von Kindern fern um eine Erstickenungsgefahr zu vermeiden. Verwendung durch Personen geeigneten Alters und Befähigung. Regelmäßig warten und defekte, lose oder beschädigte Einzelteile ersetzen. Entsorgen Sie das Produkt gemäß den gesetzlichen Bestimmungen.

Eine eigene Tür für Ihr Haustier. Die Haustiertür 'SWING' ist sowohl Ihnen, als auch Ihrem Liebling nützlich. Mit dieser Tür können Sie Ihrem Hund oder Ihrer Katze enorme Bewegungsfreiheit bieten, die ansonsten unmöglich wäre; Sie können 'SWING' auch als "persönliche" Tür für Ihr Tier verwenden, mit der es sicher zu Ihnen nachhause finden wird. Mit ihren vielfältigen Funktionen passt sich 'SWING' ganz Ihren persönlichen Anforderungen an: Sie können Ihren Tieren zum Beispiel das Heimkommen gestatten, aber vermeiden, dass sie wieder hinausgehen; Sie können die Tür so einstellen, dass sie nur für Ihr Tier aufgeht; Sie können sogar auf einen Blick erkennen, ob Ihre Tier zu Hause ist oder nicht. Entdecken Sie wie!

SWING DIE WUNDERBAREN EIGENSCHAFTEN DER TÜR 'SWING'**Das Schließsystem mit 4 Aus-/Eingängen: absolut bequem! (1)**

Die Haustiertür 'SWING' wurde für Ihre Anforderungen und die Ihres Lieblings entworfen. Sie können sich daher auf das Original- Verschlussystem mit 4 Ein-/Ausgängen verlassen; hiermit können Sie das Hinausgehen und Heimkommen Ihres Tiers bestens regeln. Wählen Sie zwischen: Nur Eingang / Nur Ausgang / Eingang und Ausgang / Geschlossen. Für mehr Sicherheit, verfügt die SWING 11 und SWING 15 über ein doppeltes einstellbares Verschlussystem, das ganz einfach mit einem Drehknopf gehandhabt werden kann.

Windstopper system (2)

Innovative Belüftungssystem um Zugluft zu verhindern.

Antishocking system

Schockabsorbierender am Ende der maximalen Türöffnung (SWING 9, 11 und 15).

Die Durchgangsanzeige (IN/OUT): und Sie wissen immer, wo Ihr Tier ist (3)

Die SWING 5 und SWING 7 MAGNETIC über eine Anzeige für den letzten Durchgang (IN/OUT) Ihres Tiers: es handelt sich hierbei um eine Vorrichtung, die Ihnen anzeigt, ob Ihr Haustier gerade daheim oder draußen ist. Diese Funktion wird Ihnen besonders hilfreich sein, wenn Sie wagenhoren möchten und Ihr Tier nicht finden können. Mit einem Blick können Sie sehen, wo Ihr Liebling gerade ist: das "Fähnchen" (siehe Abbildung) auf der Unterseite der Eingangsluke bleibt nach dem Schließen der Tür in der Richtung des letzten Durchgangs des Tiers stehen. **Achtung!** Bei besonders extremen Witterungsverhältnissen (Wind usw.) ist dieses System nicht hundertprozentig zuverlässig. Achten Sie auch auf folgendes Detail: sollte Ihr Haustier die Luke öffnen ohne durch den Tunnel zu gehen, kann es vorkommen, dass die Fahne eine nicht zutreffende Durchgangsanzeige liefert.

Der magnetische Schlüssel: ein eigener Schlüssel für Ihr Haustier (4)

Die Tür SWING 7 MAGNETIC verfügt auch über einen magnetischen Schlüssel: es handelt sich hierbei um eine kleine praktische Plakette, die am Halsband des Tiers befestigt wird. Durch einfaches Annähern kann Ihr Haustier die Tür mit diesem magnetischen Schlüssel leicht öffnen. Dank dieser praktischen Vorrichtung kann Ihr Tier in Ihr Haus gelangen: keine unerwünschten Gäste also! **Vorsicht!** Das magnetische System der kleinen SWING 7 MAGNETIC funktioniert in der Nähe von metallenen Gegenständen nicht, da diese die korrekte Funktionsweise des Mechanismus stören könnten. Sollte die Tür auf doppelten Fenstern mit Metallführung montiert werden, ist darauf zu achten, dass diese nicht mit der Eingangsluke in Kontakt gelangt; ansonsten sollte eine Plastikführung verwendet werden. Zudem setzt das magnetische System auch an Metalltüren, wie zum Beispiel Metalltüren mit extra widerstandsfähiger PVC - Verkleidung (uPVC), Türen mit Metallverkleidung oder Sicherheitstüren, an. In diesen Fällen muss die Tür abgedichtet werden (7a).

WIE SIE IHREM HAUSTIER DEN GEBRAUCH DER TÜR 'SWING' BEIBRINGEN KÖNNEN. Ihrem Haustier die Funktionsweise der Tür 'SWING' beizubringen ist sehr viel einfacher, als Sie denken. Wichtig ist hierbei, dass Sie keine zu großen Anforderungen an Ihren Liebling haben, sondern die physiologischen Reaktionszeiten des Tiers beachten. Die Tür offenstehen zu lassen ist die einfachste Methode, Ihr Tier mit dieser

neuen Errungenschaft bekannt zu machen. Seine instinktive Neugier wird es bald dazu verleiten, durch die offene Tür hinaus ins Freie zu springen. Andernfalls - wenn Ihr Tier tatsächlich gar keine Absicht hat, sich mit der Tür anzufreunden - können Sie immer noch einen unfehlbaren Trick ausprobieren: verfüttern Sie Ihr Tier ... mit einem Leckerbissen. Es genügt, einen Napf Fressen oder einen Leckerbissen vorzubereiten und ihn Ihrem Liebling zuerst gut sichtbar vor der Tür und gleich darauf hinter der Tür im Freien zu präsentieren. Sie werden sehen, dass auch Ihr Hund oder Ihre Katze diesem Genuß nicht widerstehen kann.

Und jetzt ... drücken! Sobald sich das Tier daran gewöhnt hat, durch die offene Tür ins Freie zu hüpfen, ist es Zeit mit dem nächsten Lernschritt zu beginnen. Lassen Sie die Tür dieses Mal geschlossen, aber nicht gesperrt: das Tier erkennt diesen Durchgang bereits als seinen Besitz an und zögert daher nicht durch Drücken der Tür nach Hause zu kommen. Sollte Ihr Tier nicht ansprechen, versuchen Sie's nochmals mit einem Leckerbissen. Nur mal schnell schnüffeln, und Ihr Hund oder Ihre Katze wird den ersehnten Leckerbissen selbstverständlich erreichen wollen. Dies ist eine absolute bewährte Methode. Oft ist ein Umzug ein Grund mehr, um diese Haustiertür einzubauen. Bei einem Umzug sollten Sie darauf Rücksicht nehmen, dass auch Ihr Tier sich erst mal im neuen Heim einleben muss. Haben Sie also keine Eile: erst, wenn sich Ihr Tier richtig zu Hause fühlt, ist es auch bereit, alle Tricks und Neuigkeiten, zu denen auch seine neue Tür gehört, zu entdecken. Haben Sie daher etwas Geduld, Ihrem Tier den Gebrauch des Verschlussystems beizubringen: erst, wenn sich das Tier daran gewöhnt hat durch die Tür ein- und auszugehen, beginnen Sie zunächst die Tür zu verriegeln. Hunde und Katzen lernen, dass die Tür nicht immer offen steht, aber dennoch ein wunderbar praktischer Durchgang nur für sie selbst ist.

Die Montage: gehen Sie auf Nummer sicher! Lesen Sie diese Anleitung sehr sorgfältig und die Montage Ihrer Haustiertür wird einfacher sein, als Sie denken. Sie benötigen das folgende Werkzeug: Einen Bleistift, einen Bohrer, eine Schablone (liegt in der Verpackung bei), eine Metallsäge, einen Schraubenzieher.

Holztüren (5)

5a Messen Sie die untere Bauchhöhe Ihres Tiers und legen Sie die Schablone (Seite A) mit der unteren Seite auf derselben Höhe an. Markieren Sie mit einem Filzstift den Umriss der SCHABLONE auf der Tür.

5b Bohren Sie mit dem Bohrer 4 Löcher an den entsprechend markierten Ecken.

5c Schneiden Sie nun mit der Säge entlang der Verbindungslinie der 4 Löcher.

5d Schmirgeln Sie die Ränder mit einer Feile oder mit Gaspapier. 12a/b/c/d

Der größte Teil der Arbeit ist geschafft. Lesen sie weiter beim Abschnitt „**Beschneiden des Tunnels**“.

Glastüren (6)

Vorsicht! Glas zuzuschneiden kann sehr gefährlich sein. Bevor Sie mit diesem Vorgang beginnen, empfehlen wir Ihnen, sich mit einem Glaser in Verbindung zu setzen. Auf gehärtetem Sicherheitsglas oder Doppelglas können keine Löcher geschnitten werden, es sei denn, sie wurden bei der Herstellung eingearbeitet.

6a Messen Sie die untere Bauchhöhe des Tiers und legen Sie die Schablone (Seite A) mit der unteren Seite auf derselben Höhe an. Markieren Sie den unteren Schablonenansatz mit einem Filzstift. Dies wird als Vorlage verwendet, um den Zirkel auf

der entsprechenden Markierung auf der Schablone zu zentrieren.

Danach sind folgende Arbeitsschritte zu beachten:

- 6b Bohren Sie ein Loch mit einem Durchmesser von 108 mm bei einer Katzenklappe SWING 5 mit kleiner Tür, 105 mm bei der Ausführung SWING 7 MAGNETIC (Die Lochmitte ist auf der Schablone eingezeichnet). 13a
- 6c Bohren Sie vier Löcher in die entsprechenden vier Ecken der Tür, wenn Ihre Katzenklappe eine SWING 9, SWING 11 oder SWING 15 ist. Dann schneiden Sie vom einem Loch zum nächsten, um eine Öffnung in der Glastür zu erhalten. (Die Lochmitteln sind auf der Schablone markiert). 13b/c/d

Der größte Teil der Arbeit ist geschafft. Lesen sie weiter beim Abschnitt „**Beschneiden des Tunnels***“.
Metalltüren (7a)

Die Anleitungen entsprechen denen für Holztüren. Der einzige Unterschied besteht darin, dass auf Metalltüren der magnetische Schlüssel der Modellausführung SWING 7 MAGNETIC nur dann funktioniert, wenn die Tür vorher abgedichtet wurde. Die Abdichtung erfolgt unter Verwendung eines nicht metallenen Materials (Holz o.ä.). Dieses Abdichtungsmaterial muss mindestens über einen Stärkedurchmesser von 40 mm verfügen und auf der ganzen Oberfläche angebracht werden. Dies ist notwendig, um Interferenzen zu vermeiden und damit der magnetische Mechanismus problemlos funktionieren kann. Der größte Teil der Arbeit ist geschafft. Lesen sie weiter beim Abschnitt „**Beschneiden des Tunnels***“.

Wände (7b)

Die Anleitungen entsprechen denen für Holztüren. (Die Arbeitsschritte 5b, 5c und 5d müssen mit geeignetem Werkzeug erfolgen.) Der mitgelieferte Tunnel kann auch auf Wänden dicker als 55 mm eingebaut werden. Hierzu muss ein Tunnel aus Zement gemauert werden. Der größte Teil der Arbeit ist geschafft.

Beschneiden des Tunnels (8)

Vorsicht! Beschneiden Sie den Tunnel der Modellausführung SWING 7 MAGNETIC auf keinen Fall: dieses Modell verfügt über einen sehr empfindlichen Mechanismus!

Dieser Vorgang ist notwendig, um die Tiefe des Tunnels optimal Ihrem Einbau anzupassen. Nur ein paar Minuten für eine absolut perfekte Verarbeitung, mit der Sie alle zugeschnitten Teile verstecken können!

- 8a Messen Sie die Tiefe "Y" der Unterlage (Tür oder Wand) auf der Sie die Tür einbauen möchten.
- 8b Ziehen Sie eine Linie im Abstand von "Y" plus 8 mm an der äußeren Seite des Tunnels. Sie können die Schablone (Seite B) verwenden, auf der die vier häufigsten Einbauweisen (Tabelle 1) eingezeichnet sind. Hierbei steht "N" für den Schlitz, der für die Markierung zu verwenden ist, und "Y" für den Stärkedurchmesser der Unterlage, auf welcher der Einbau der Tür erfolgt. Legen Sie die Schablone am Tunnel an und ziehen Sie eine Linie entlang des entsprechenden Schlitzes.
- 8c Wiederholen Sie dann diesen Vorgang für die anderen Seiten des Tunnels.
- 8d Beschneiden Sie den Tunnel mit einer Säge, wobei Sie an einer der Ecken begin-

nen sollten; schneiden Sie dann rundherum weiter. Schneiden Sie auf keinen Fall zwei nebeneinander liegende oder parallele Seiten gleichzeitig, damit Sie sich nicht von den Markierungen entfernen. **Vorsicht!** Der mitgelieferte Tunnel ist für Einbauten von 0 bis 55mm Stärkedurchmesser geeignet. Die äußere Oberfläche weist eine oder mehrere Stufen auf, die je nach Ausführung entsprechend der üblichsten Einbauweisen angebracht sind. Ziel ist es, das Zuschneiden des Tunnels zu vereinfachen. Bevor Sie mit dem Zuschneiden an diesen vorgegebenen Stellen beginnen, versichern Sie sich, dass der Einbau den Sie vornehmen möchten mit der Lage dieser Stellen übereinstimmt.

- 8e Die Verriegelung mit 4 Ein-/Ausgängen ist auf der Innenseite der Tür anzulegen. Legen Sie dann die Eingangsluke auf das Loch und markieren Sie mit einem Bleistift die Stellen, an denen die Schrauben einzufügen sind.
- 8f Nehmen Sie die Luke ab und bohren Sie 4 Löcher mit einer Bohrspitze der Größe 4,5 mm.

Montage der Eingangsluke (9)

- 9a Montieren Sie die Luke mit Hilfe der vier mitgelieferten Befestigungsschrauben, die – falls notwendig – zugeschnitten und abgefeilt werden müssen, um scharfe Kanten zu vermeiden. Das Verpackungset enthält 4 kurze Schrauben für die Montage auf Glas und Mückennetzen, und 4 lange Schrauben für alle anderen Einbauweisen mit Stärkedurchmessern bis zu 55mm. Für die Montage auf mittleren Stärkedurchmessern müssen die vier langen Schrauben gekürzt werden (zum Beispiel: für die Montage auf Stärkedurchmessern von 45 mm werden die Schrauben um 10 mm gekürzt; für die Montage auf Stärkedurchmessern von 35 mm werden die Schrauben um 20 mm gekürzt, usw.). Eine zu kurze Schraube könnte den Sitz abwürgen und eine zu lange Schraube könnte ihn durchstoßen!
- 9b Decken Sie die Schraubenlöcher mit den mitgelieferten Kappen ab, wobei darauf zu achten ist, dass diese mit Hilfe der Feder richtig ausgerichtet werden, womit eine vollendete Verarbeitung erzielt werden kann.

JETZT IST IHRE HAUSTIERTÜR 'SWING' GEBRAUCHSFERTIG!

Ein kleiner Test für den magnetischen Schlüssel (4)

Sollte Ihr Modell zur kleinen Ausführung SWING 7 MAGNETIC gehören, empfehlen wir Ihnen diesen kleinen Test auszuprobieren, um die Funktionalität der Methode überprüfen zu können.

- 4a Stellen Sie von draußen sicher, dass sich Ihre Verriegelung mit 4 Ausgängen in der offenen Position "Ein-/Ausgang" befindet. Nehmen Sie den magnetischen Schlüssel und halten Sie in waagrecht vor sich: die Aufschrift Ferplast liegt hierbei unten und der Pfeil zeigt in Richtung der Eingangsluke. Der Mechanismus müsste bei einem Abstand von ungefähr 10 cm zur Eingangsluke ausgelöst wer-

den.

- 4b Befestigen Sie den magnetischen Schlüssel so am Halsband, dass der Pfeil in Richtung des Kopfes des Tiers ausgerichtet ist (4b). Es wird empfohlen, nichts Anderes als den magnetischen Schlüssel am Halsband zu befestigen, um den Öffnungsmechanismus nicht zu stören. Versichern Sie sich, dass das Halsband weder zu eng, noch zu locker ist (das Halsband sollte so anliegen, dass es direkt vom Hals des Tiers abgezogen werden kann). Im Idealfall ist der magnetische Schlüssel so angebracht, dass seine Unterseite nah genug über dem unteren Rand des Tunnels hängt, während sich die Katze der Tür nähert (4c). Sollte sich der Magnet nicht in einem Abstand von 0-4 cm (0-1,5") zum Tunnel befinden, könnte die Katze Probleme beim Aktivieren des Öffnungsmechanismus haben (4d-4e).

Manueller Gebrauch (10)

Wenn Sie die magnetische Verriegelung nicht benutzen möchten, können Sie die Katzentür auch auf die manuelle Funktion umschalten. Dazu drehen Sie die Ausschlussschraube auf dem vorderen Sims der Tür um 180°, und zwar von der DX Stellung (Mechanismus "Ein") in die SX Stellung (Mechanismus "Aus"), wie es auf den Abbildungen dargestellt ist. **Wichtig!** Dieser Vorgang ist zudem sehr nützlich, wenn Ihr Haustier den Magnet verloren hat.

Die Reinigung: gründlich, einfach und schnell

Diese Haustiertür wird aus Kunststoff der besten Qualität hergestellt. Sie verfügt über einen verstärkten Türflügel und wurde als langlebiger Produktartikel konzipiert. Damit Sie auch lange in optimalem Zustand bleibt, sollte sie ab und an mit einem feuchten Tuch gereinigt werden.

Falls Sie Ersatzteile benötigen (11)

Die Klappe wurde so konstruiert, dass jedes Teil ersetzt werden kann. Insbesondere kann die Schwingtür, durch die Entfernung der Schrauben auf der Rückseite der Haupttüre (11a), ersetzt werden. Bitte achten Sie darauf, dass die Federn bei Austausch der Schwingtür in den Modellen SWING 11 und 15, an den Scharnieren richtig befestigt sind (11b).

Unser Kundendienst.

In den seltenen Fällen von zufälligen Brüchen der Türen, verfügen unsere Produktartikel auch über eine mannigfaltige Auswahl an Ersatzteilen. Ein Einzelhändler Ferplast Ihres Vertrauens, steht Ihnen hierbei gerne zur Verfügung.

GARANTIE. Auf das Produkt seine Komponenten und Zubehörteile sind die gesetzlichen Gewährleistungen anzuwenden. Die Garantie gilt ausschließlich für Fabrikationsfehler und umfasst die Reparatur oder die kostenlose Auswechslung. Die Garantie verfällt bei Schäden u/o Fehlern, verursacht durch Nachlässigkeit, Verschleiß, mit den Anzeigen und Hinweisen des Benutzerhandbuchs nicht übereinstimmende Verwendung, Unfällen, Beschädigungen, unzureichendem Gebrauch, fehlerhaften Reparaturen, nicht nachweisbarer Kauf durch fehlenden Kassensbon. Ausgeschlossen aus der Garantie sind: die Schwämme, die Dichtungen und die allgemeinen Filtermaterialien.

GB

MEER VRIJHEID VOOR UW HUISDIER, MEER VEILIGHEID VOOR UZELF!

Waarschuwing: Lees alle instructies zorgvuldig voordat u begint met het huisdier flap SWING installeren

Waarschuwing: Enkel voor huisdieren te gebruiken. Kies een model dat aangepast is aan de grootte van uw huisdier. Dit product (zelfs met blokkeringsstand) kan niet voorkomen dat ongewenste dieren of mensen (incl. kinderen) door de deur komen. Ferplast is niet verantwoordelijk voor dit oneigenlijk gebruik en de koper van dit product neemt de volledige verantwoordelijkheid voor maken van de opening. Buiten bereik van kinderen houden; dit product dient niet gebruikt te worden door mensen met enige vorm van beperking. Hou kleine onderdelen buiten bereik van kinderen ter voorkoming van verstikking bij inslikken. Product mag enkel gebruikt worden door personen met een geschikte leeftijd. Controleer onderdelen regelmatig of ze niet beschadigd zijn, los zitten of los zijn gekomen en vervang indien nodig. Het weggooien van het product dient in overeenstemming te gebeuren met wetten en voorschriften.

Een eigen huisdierdeur. De huisdierdeur SWING is nuttig voor uw huisdier, maar ook voor u. Uw hond of kat kan vrij in en uit lopen, wat hij anders niet kan; de deur kan ook zijn "eigen deur" worden, zodat hij noch u voor verrassingen komt te staan bij het thuiskomen. De veelzijdigheid van de huisdierdeur SWING speelt helemaal in op al uw behoeften: u kunt het zo afstellen dat hij niet meer naar buiten kan als hij weer thuis is gekomen; u kunt het alleen laten opengaan voor hem en niet voor andere dieren, en u kunt zelfs in een oogopslag zien of uw huisdier thuis is. Ontdek hoe.

WAT ER ZO BIJZONDER IS AAN HET HUISDIERDEUR SWING De 4-standenvergrendeling: dat is gemakkelijk! (1)

De bedoeling van de huisdierdeur SWING is te voldoen aan al uw behoeften. Hiervoor zorgt de unieke 4-standenvergrendeling waarmee u alle bewegingen van uw huisdier controleert. U kunt kiezen tussen: Alleen binnenkomen (afbeeldingen) / Alleen naar buiten gaan / Binnenkomen en naar buiten gaan / Gesloten.

Voor nog meer veiligheid het medium en de maxi huisdierdeur (SWING 11, SWING 15) hebben een dubbele vergrendeling met een enkele, eenvoudige knop.

Windstopper system (2)

Innovatief systeem ter voorkoming van tocht.

Antishocking system

Eind slag shock opnemer in de deur maximale opening (SWING 9-11-15).

Richtingwijzer (IN/OUT): u weet altijd waar hij is (3)

Alle huisdierdeuren met hand- en keuzevergrendeling (SWING 5 en SWING 7 MAGNETIC) zijn uitgerust met een IN/OUT-systeem dat u vertelt of uw huisdier thuis is of buiten. Dit is vooral praktisch wanneer u weggaat en u uw huisdier niet kunt vinden. Het "vlaggetje" (afbeelding) op de onderkant van de deur blijft in de richting staan die uw huisdier heeft genomen nadat de deur is dichtgegaan, zodat u meteen weet waar hij is.

Opgelet! Alleen als het echt heel slecht weer is (harde wind, enz.) is dit systeem niet helemaal betrouwbaar. Als uw huisdier de deur wel opent maar niet helemaal door de tunnel loopt, kan het zijn dat de wijzer niet in de goede richting staat.

De magneetsleutel: een sleutel helemaal voor hem (4)

Het huisdierdeur SWING 7 MAGNETIC is bovendien uitgerust met een kleine, handige sleutel, een plaatje dat u aan de halsband van uw huisdier kunt maken. Als uw huisdier de sleutel draagt, hoeft hij slechts in de buurt van het deurtje te komen om dit te openen. Heel nuttig dus, want alleen uw eigen huisdier kan binnenkomen, zodat u niet de kans

loopt ongewenste gasten in uw huis aan te treffen. **Opgelet!** De magneet van de mini huisdierdeur met keuzevergrendeling (SWING 7 MAGNETIC) werkt niet in de buurt van metalen elementen die storingen veroorzaken. Als het systeem wordt gemonteerd op ramen met dubbel glas met een metalen gootje, mag dit de deur niet raken. Dit mag wel als het een kunststof gootje is. Het systeem werkt niet op metalen deuren met bekleding in uPVC, deuren met een metalen

bekleding of geblindeerde deuren. Dergelijke deuren dienen te worden geïsoleerd (7a).

UW HUISDIER LEREN HUISDIERDEUR SWING TE GEBUIKEN.

Uw huisdier leren hoe de deur werkt, is makkelijker dan u denkt. Belangrijk is dat u niet teveel van het dier verlangt en zijn fysiologische ritmes respecteert. De deur wijp open laten staan is de gemakkelijkste manier voor uw huisdier om het te ontdekken. Omdat hij van nature uit nieuwsgierig is, zal hij snel in de verleiding komen om erdoor te lopen, zijn vrijheid tegemoet. Doet hij dit niet en wil uw huisdier absoluut niets van de deur weten, dan gebruikt u een onfeilbaar trucje: een lekker hapje. Doe een lekker hapje in de etensbak van uw huisdier en zet dit eerst goed zichtbaar aan deze kant van de deur, en daarna aan de andere kant. U zult zien dat uw hond of kat niet aan de verleiding kan weerstaan!

En nu... duwen! Zodra uw huisdier vertrouwd is geraakt met de deur en er gewoon doorheen loopt, is het tijd voor de volgende stap. Laat de deur dicht, maar niet gesloten: uw dier, dat de weg inmiddels kent, zal onmiddellijk tegen de deur duwen om naar de andere kant te gaan. Doet hij dit niet meteen, dan probeert u het nog een keer met een lekker hapje. Even snuffelen, en uw hond of kat zal gegarandeerd naar zijn hapje lopen. Verhuizen is vaak een aanleiding tot het installeren van een huisdierdeur. U dient er rekening mee te houden dat ook uw huisdier tijd nodig heeft om te wennen aan de nieuwe omgeving. Zodra hij zich thuis voelt, zal hij op verkenning gaan om alles in het nieuwe huis te ontdekken, en dus ook de deur. Voor het slot dient u wat geduld te hebben: alleen wanneer uw huisdier aan de deur gewend is geraakt, kunt u de vergrendeling beginnen te gebruiken. Honden en katten begrijpen dan dat de deur niet altijd open is, maar dat het in elk geval hun eigen deur blijft.

De deur monteren: eerst de instructies lezen. Als u eerst nauwkeurig de instructies leest, zult u zien dat de deur gemakkelijker te monteren is dan u denkt. U heeft een potlood, een boor, een mal (in de verpakking), een figuurzaagje en een schroevendraaier nodig.

Houten deuren (5)

5a Meet de buikhoogte van uw huisdier en houd de mal (zijde A) tegen de deur. De onderkant van de mal zet u op de hoogte die u net hebt gemeten. Teken de omtrek van de mal op de deur met een viltstift.

5b Boor 4 gaten in de hoeken.

5c Zaag met een figuurzaagje de omtrek uit, van gat tot gat.

5d Werk de kanten af met een vijl of met schuurpapier. 12a/b/c/d

Het meeste werk is nu gedaan. Ga naar het hoofdstuk **"De tunnel op maat snijden"**.

Glazen deuren (6)

Let op! Glas snijden is gevaarlijk. Raadpleeg eerst een glazenmaker. U kunt geen gaten maken in ge-

hard glas of dubbel glas, tenzij u deze bestelt op het ogenblik waarop u het glas laat maken.

6a Meet de buikhoogte van uw huisdier en houd de mal (kant A) met de onderkant op de gemeten hoogte tegen het glas. Markeer de onderkant met een viltstift; dit vormt de basis om de kompasruizen op de mal te centreren.

Vervolgens:

6b boor een rond gat met een straal van 108 mm als u een mini huisdierdeur SWING 5 heeft, van 105 mm als u een mini huisdierdeur SWING 7 MAGNETIC (Het middelpunt van de cirkel is op de mal aangeduid). 13a

6c boor vier ronde gaten bij de vier hoeken van het deurtje als u een medium of een maxi deur (SWING 9, SWING 11, SWING 15) monteert. Snijd dan langs de buitenste raaklijnen van de 4 gaten om een unieke opening in het glas te verkrijgen. (De middelpunten van de gaten zijn op de mal aangegeven). 13b/c/d

Het meeste werk is nu gedaan. Ga naar het hoofdstuk "De tunnel op maat snijden".

Metalen deuren (7a)

In een metalen deur gaat u te werk zoals in een houten deur. Het enige verschil is dat de magneetsleutel van de mini deur met keuzevergrendeling (SWING 7 MAGNETIC) dient te worden geïsoleerd. Het isolatiemateriaal mag niet van metaal zijn (wel hout e.d.) en moet een minimum dikte van 40 mm over de gehele omtrek hebben. Dit voorkomt storingen in het magneetmechanisme. Het meeste werk is nu gedaan. Ga naar het hoofdstuk "De tunnel op maat snijden".

Tussenwanden (7b)

Voor tussenwanden gaat u op dezelfde manier te werk als voor houten deuren. (Gebruik geschikt gereedschap voor de stappen 5a, 5b en 5c). De tunnel die bij het deurtje hoort kan worden gebruikt voor wanden die dikker dan 55 mm zijn. In dat geval dient de tunnel met cement verlengd te worden. Het meeste werk is nu gedaan.

De tunnel op maat snijden (8)

Opmerking! De tunnel van het deurtje NIET afsnijden met keuzevergrendeling (SWING 7 MAGNETIC) er zit een delicaat mechanisme in!

De tunnel dient u op de maat van uw installatie te snijden. U heeft maar een paar minuutjes nodig om het geheel perfect af te werken en alle gesneden randjes te verstoppen.

8a Meet de diepte "Y" van de deur, wand of muur waarin u de deur monteert.

8b Trek een lijn op de buitenkant van de tunnel, op maat "Y" plus 8 mm. Voor de vier meest gebruikte installatiemethoden (Tab 1) kunt u de mal gebruiken (kant B); in de tabel staat "N" voor de opening waarin

u de lijn op de tunnel trekt, en "Y" voor de dikte van de deur, wand of muur waarin u het deurtje monteert. Houd de mal op de tunnel en trek een lijn in de opening die hoort bij uw installatiemethode.

8c Doe dit op alle kanten van de tunnel.

8d Snijd nu de tunnel af met een figuurzaag. Begin bij een van de hoeken en zaag dan helemaal rondom. Snijd geen twee wanden tegelijkertijd door om de maatlijn niet te verplaatsen. **Let op!**

De tunnel in de verpakking is geschikt voor deurtjes in diktes van 0 tot 55 mm. Op de buitenkant van de tunnel zitten enkele markeringen voor de meest gebruikelijke installatiediktes. De aanduidingen zijn aangebracht om u te helpen met het op maat snijden van de tunnel. Voordat u de tunnel op deze markeringen snijdt, controleert u of de dikte waarin u het deurtje installeert past bij de stand van deze markeringen.

8e De 4-standenvergrendeling wordt aan de binnenkant van het deurtje gemonteerd. Houd het deurtje op het gat en markeer de punten waarin de schroeven moeten komen.

8f Neem het deurtje weg en boor 4 gaatjes met een boor van 4,5 mm.

De deur monteren (9)

A Monteer het deurtje met de schroeven die in de verpakking zitten. Maak de schroeven eventueel korter en vijl de scherpe puntjes eraf. Er zijn 4 korte schroeven voor het monteren in glas en vliegengaas en 4 lange schroeven voor alle andere materialen met een dikte tot 55 mm. Voor diktes daartussen dient u de 4 lange schroeven korter te maken (voor een dikte van 45 mm snijdt u bijv. 10 mm van de schroeven af; voor een dikte van 35 mm snijdt u er 20 mm af, enz.). Een te korte of te lange schroef kan het eindresultaat verknoeien!

B Steek op de schroefgaatjes de dopjes die in de verpakking zitten en zorg ervoor dat het lipje in de goede richting zit voor een mooie afwerking.

UW HUISDIERDEUR SWING IS NU KLAAR VOOR GEBRUIK!

De magneetsleutel testen (4)

Heeft u het mini deurtje met keuzevergrendeling (SWING 7 MAGNETIC) In dit geval is het raadzaam de sleutel even uit te testen.

4a Ga buiten staan nadat u de 4-standenvergrendeling in de "binnen en buiten" -stand heeft gezet. Richt de magneetsleutel op het slot: de naam Ferplast moet onderaan staan en de pijl moet in de richting van het deurtje wijzen. Het mechanisme moet op 10 cm van het luik in werking treden.

4b Maak de magneetsleutel aan de halsband vast met de pijl in de richting van de kop van de kat (4b). Maak geen andere voorwerpen aan de halsband vast die het vergrendelingsstelsel kunnen omstoren. Controleer of de halsband niet te strak of te los zit (de halsband moet over de kop van uw huisdier kunnen glijden). Ideaal zit de magneetsleutel als de onderkant ervan net boven de onderste rand van de tunnel hangt wanneer het hier in de buurt van het deurtje komt (4c). Als de magneet niet op een hoogte tussen 0 en 4 cm (0 -1,5") zit, kan uw huisdier moeilijkheden hebben om het slot open te maken (4d-4e).

De deur met de hand op slot doen (10)

Als u de magnetische vergrendeling van het deurtje niet wenst te gebruiken, kunt u de deur aanpassen aan manueel vergrendelen. U draait hiervoor de schroef op het richeltje aan de buitenkant van het luik 180°, van DX (mechanisme ingeschakeld) naar SX (mechanisme uitgeschakeld),

zoals u ziet op de afbeelding. **Belangrijk!** Dit is heel nuttig als uw huisdier zijn magneetsleutel verliest.

De deur schoonmaken: gemakkelijk en snel

De kunststof waaruit het huisdierdeur is gemaakt is van bijzonder goede kwaliteit. Het openslaande deel is versterkt en ontworpen om lang mee te gaan. U hoeft de deur alleen maar af en toe met een vochtige doek schoon te maken om het te houden zoals het is.

Reserveonderdelen (11)

De klep is ontworpen om elk beschadigd onderdeel te kunnen vervangen. Voornamelijk de centrale klep kan worden vervangen door het verwijderen van de schroef van het achterste gedeelte in de hoofddeur (11a). Als er een vervangende klep in de SWING 11 en 15 modellen wordt geplaatst, weest u er dan zeker van dat de metalen veer op de juiste wijze in de scharnieren past (11b).

Onze service

Er kan altijd iets stuk gaan, maar wij hebben een uitgebreid assortiment reserveonderdelen voor uw deur. Raadpleeg hiervoor de dichtstbijzijnde leverancier van Ferplast.

GARANTIE. Dit product en alle onderdelen en accessoires ervan vallen binnen de grenzen van de in deze paragraaf voorziene garantie en de geldende wettelijke bepalingen. De garantie geldt alleen voor fabricagefouten en omvat kosteloze reparatie of vervanging. De garantie geldt niet voor schade en/of defecten die veroorzaakt zijn door onoplettendheid, slijtage, overtreding van de gebruiks- en veiligheidsvoorschriften die in de onderhavige handleiding staan, ongevallen, ombouwen, oneigenlijk gebruik, verkeerde reparatie, aankoop zonder aankoopbon. Filtermaterialen in het algemeen, de sponzen en de dichtingen zijn niet in de garantie inbegrepen.

GB

IT

FR

DE

NL

ES

PT

SK

CS

HU

SV

DA

PL

RU

GB

IT

FR

DE

NL

ES

PT

SK

CS

HU

SV

DA

PL

RU

MÁS LIBRES ELLOS, MÁS SEGUROS USTEDES!

lea todas las instrucciones cuidadosamente antes de comenzar a instalar la puerta SWING.

Advertencia: Sólo para mascotas. Elija el modelo en función de la dimensión de su mascota. Este producto (incluso bloqueado) no podrá evitar que personas o animales indeseados (incluyendo niños) puedan pasar a través de la puerta. Ferplast no se considerará responsable del uso inadecuado y el comprador acepta la completa responsabilidad de los efectos de la apertura de la puerta. Mantenga alejado del alcance de los niños. Este producto no debe ser usado por personas que presenten algún tipo de discapacidad. Para evitar el riesgo de asfixia conserve las piezas pequeñas lejos del alcance de los niños. Debe ser usado por personas con una edad y criterio adecuados. Controle periódicamente y sustituya aquellas piezas que aparezcan dañadas, sueltas o que se hayan desprendido. Elimine el producto de forma adecuada, en conformidad con las leyes y las normas

Una puerta toda para ellos. La puerta SWING sirve tanto para ellos como para vosotros. Puede utilizarla para permitir a su perro o gato entrar y salir de la terraza, con una libertad que de otra manera sería imposible; pero también puede utilizarla para darles una puerta "personalizada" que les permita volver a casa en toda seguridad. Con todas sus funciones, la puerta SWING se adapta a la medida de sus exigencias: puede permitir a sus animales volver a casa, pero no salir de nuevo; puede hacer sí que la puerta se abra sólo para ellos; hasta puede saber, con un simple vistazo, si están en casa o están fuera. Descubra cómo.

LAS MARAVILLAS DE LA PUERTA SWING

El sistema de 4 de cierre vías; ¡Que comodidad! (1)

La puerta SWING nace a la medida para las exigencias suyas y de su animal. Por esto puede contar con el sistema original de cierre de 4 vías que permite controlar la entrada y la salida de su animal.

Puede elegir entre: Sólo entrada / Sólo salida / Entrada y salida / Cerrado.

Para una mayor seguridad, las versiones SWING 11 y SWING 15 tienen un

doble sistema de cierre controlado, por sencillez, por un solo puño.

Windstopper system (2)

Sistema innovador de protección contra las corrientes de aire.

Antishocking system

Amortiguador del golpe en la máxima apertura de la puerta (SWING 9-11-15)

El indicador del último pasaje IN/OUT: y sabe siempre dónde está (3)

Las versiones SWING 5 y SWING 7 MAGNETIC tienen el indicador del último pasaje (IN/OUT), un dispositivo que le ayudará a saber si su animal está en casa o si está fuera. Esta característica puede ser de particular utilidad si tiene que salir de casa y no sabe donde está su animal. Basta un vistazo: la "banderita" (ver figura) en la parte inferior de la puerta queda dirigida hacia la dirección del último paso de su animal después del cierre de la puerta.

¡Atención! En caso de condiciones atmosféricas particularmente severas (viento, etc.) no es posible garantizar la total fiabilidad del sistema. Si su animal abre la puerta sin pasar efectivamente por el túnel, el indicador no proporciona una indicación fiable.

La llave magnética: una llave toda para ellos (4)

La llave SWING 7 MAGNETIC tiene también su llave magnética, una placa, pequeña y práctica, a aplicar en el collar del animal. La llave magnética permite al animal abrir la puerta simplemente acercándose a ella. El dispositivo es muy útil ya que permite entrar en casa sólo a su animal. Y no corre el riesgo de encontrar huéspedes inesperados en su vivienda.

¡Atención! El sistema magnético de la versión SWING 7 MAGNETIC no funciona en los alrededores de elementos metálicos que podrían interferir con el buen funcionamiento del mecanismo. Si se instala en ventanas con doble vidrio, separado por un canal metálico, es oportuno que la ventana quede separada de la puerta, siempre que no se utilicen canales de separación en plástico. El sistema magnético no funciona si la puerta se monta en puertas de metal, por ejemplo puertas de metal revestidas en cloruro de polivinilo ultra resistente (uPVC), puertas con revestimiento de metal o puertas de seguridad. Es necesario aislar la puerta (7a).

Cómo enseñar a su animal a usar la puerta SWING. Hacer entender

a su animal cómo se usa la puerta SWING es mucho más fácil de lo que se cree. Lo importante es no pretender demasiado sino respetar sus tiempos fisiológicos. Dejar abierta su puerta es el método más simple para hacer sí que su animal la descubra. Curioso por naturaleza, muy pronto sentirá la tentación de pasar por esa puerta abierta hacia la libertad. En caso contrario – si su animal no tiene ninguna intención de pasar por allí – se puede recurrir siempre a un método infalible: agarrarlo... por la gula. Basta pues prepararle la comida y ponérsela bien a la vista en un lado y el otro de la puerta. Verá que su perro o gato no va a resistir a la tentación.

Y ahora... ¡jempujar! Cuando el animal se haya acostumbrado a pasar por la puerta abierta, es hora de pasar a la fase siguiente. Deje la puerta cerrada, pero no bloqueada: el animal, que ya conoce ese paso como suyo, no se lo pensará dos veces en empujarla y pasar al otro lado. Si esto no sucede enseguida, puede recurrir de nuevo a la comida. Tan pronto sienta el olor, su perro o gato intentará naturalmente alcanzar su meta. Es un sistema bien ensayado. A menudo la mudanza es un motivo más para instalar la puerta. Si se han mudado también ustedes, tenga presente que su animal tiene sus tiempos para acostumbrarse al nuevo entorno. Por esto no debe tener prisa: sólo cuando se sentirá por fin a sus anchas tendrá el estímulo correcto para descubrir todos los secretos y las novedades, y entre estas su puerta. En cuanto a la cerradura, debe tener un poco de paciencia: sólo cuando el animal se haya acostumbrado a entrar y salir por la puerta puede empezar a cerrarla con la llave. Perros y gatos aprenderán que la puerta no siempre está abierta, pero que de todas maneras sigue siendo para ellos un pasaje maravilloso.

El montaje: a tiro hecho. Lea detenidamente estas instrucciones y el montaje de la puerta será mucho más fácil de lo que parece. Las herramientas necesarias son: Lápiz, Taladro, Patrón (incluido en el suministro), Serrucho, Destornillador.

Puertas de madera (5)

5a Mida la altura del vientre del animal y coloque el patrón (lado A) con el lado inferior a la misma altura. Con el marcador marque el perímetro del patrón en la puerta.

5b Taladre 4 agujeros con el taladro, en correspondencia con los ángulos del trazado.

5c Con el serrucho corte a lo largo del perímetro, uniendo los 4 agujeros.

5d Lije los bordes con una lima o papel de esmeril. 12a/b/c/d

Así ya se han hecho la mayor parte de las operaciones. Pase al capítulo "Acabar el túnel".

Puertas de vidrio (6)

¡Atención! Cortar el vidrio puede ser peligroso. Antes de efectuar esta operación es mejor consultar con un vidriero. No es posible taladrar agujeros en vidrio de seguridad templado o en vidrios dobles, salvo que

dichos agujeros sean realizados en el momento de la fabricación.

- 6a Mida la altura del vientre del animal y coloque el patrón (lado A) con el lado inferior a la misma altura. Con el marcador marque el lado inferior. Lo utilizará como base para dibujar con el compás los puntos indicados nel patrón y para taladrar:
- 6b un agujero circular con un radio de 108 mm si su puerta es la versión SWING 5, de 105 mm si su puerta es la versión SWING 7 MAGNETIC (El centro para el agujero está marcado en el patrón). 13a
- 6c cuatro agujeros circulares en correspondencia con los cuatro ángulos de la puerta si su puerta es la versión SWING 9-11-15. Seguidamente corte las tangentes des 4 círculos para obtener una sola abertura en el vidrio. (Los centros para los agujeros están marcados en el patrón). 13b/c/d

Así ya se han hecho la mayor parte de las operaciones. Pase al capítulo "**Acabar el túnel**".

Puertas de metal (7a)

Las instrucciones son las mismas que para la madera. La única diferencia es que en las puertas de metal es preciso instalar de manera aislada la llave magnética de la versión SWING 7 MAGNETIC, de manera que pueda funcionar correctamente. El aislamiento debe realizarse con material no metálico (madera o similar) y deberá tener un espesor como mínimo de 40 mm en todo el perímetro. De esta manera se evitan interferencias y se garantiza el funcionamiento correcto del mecanismo magnético. Así ya se han hecho la mayor parte de las operaciones. Pase al capítulo "**Acabar el túnel**".

Paredes (7b)

Las instrucciones son las mismas que para la madera. (Las operaciones 5b, 5c y 5d se deben efectuar con herramientas adecuadas.) El túnel, incluido en el suministro, se puede instalar también en paredes que tengan un espesor superior de 55 mm. En este caso es oportuno realizar un túnel en albañilería.

Acabar el túnel (8)

N.B. No recorte el túnel en la versión SWING 7 MAGNETIC: ¡lleva un mecanismo delicado!

Esta operación es necesaria para optimizar la profundidad del túnel para su instalación. Bastan pocos minutos para acabarlo perfectamente y ocultar todas las partes manipuladas.

- 8a Mida la profundidad "Y" del soporte (puerta o pared) en que se desea instalar la puerta.
- 8b Marque una línea a lo largo de la superficie exterior del túnel a una distancia "Y" aumentada de 8 mm. Puede utilizar el patrón (lado B) preparado para las cuatro instalaciones más comunes (Tab 1), donde "N" indica la ranura a utilizar para el trazado, e "Y" indica el espesor del soporte en que se realiza la instalación. Coloque el patrón en el túnel y marque una raya en correspondencia con la ranura correspondiente a la

instalación que se desea efectuar.

- 8c Repita la operación en los dos lados del túnel.
- 8d Acabe el túnel con un serrucho, empezando por uno de los ángulos y siguiendo el perímetro. No corte dos paredes, adyacentes o paralelas, contemporáneamente, para no alejarse de las referencias. **¡Atención!** El túnel incluido en el suministro es apto para instalaciones con un espesor entre 0 y 55mm. La superficie exterior presenta uno o más peldaños, según las versiones, colocados en correspondencia con algunas de las instalaciones más comunes. Su finalidad es la de facilitar la operación de corte del túnel. Antes de cortar en correspondencia con estos referencias, hay que comprobar que la instalación que se va a realizar sea compatible con la posición de estas referencias.

- 8e La cerradura de 4 vías se debe poner en el lado interior de la puerta. Coloque la puerta sobre el agujero y marque con un lápiz los puntos donde poner los tornillos.

- 8f Quite la puerta y taladre los 4 agujeros utilizando una broca de 4,5 mm.

Montar la puerta (9)

- 9a Monte la puerta fijándola con los tornillos incluidos en el suministro, que, a ser necesario, se deberán cortar y limar para evitar que queden bordes afilados. En el suministro se incluyen 4 tornillos cortos para la instalación en vidrio y en mosquitera, y cuatro tornillos largos para todas las demás instalaciones con espesores de hasta 55mm. Para las instalaciones con espesores intermedios es necesario cortar los cuatro tornillos largos (por ejemplo: para una instalación con espesor de 45 mm se deben acortar los tornillos de 10 mm; para una instalación con espesor de 35 mm se deben acortar los tornillos de 20mm, etcétera). Un tornillo demasiado corto puede estropear la rosca de los alojamientos, mientras que un tornillo demasiado largo ¡puede hundirlo!

- 9b Tape los agujeros para los tornillos con los tapones incluidos en el suministro, prestando atención en orientarlos correctamente utilizando el diente previsto, a fin de acabar mejor el trabajo.

AHORA LA PUERTA SWING ESTÁ LISTA PARA EL USO.

Una pequeña prueba con la llave magnética (4)

Si tiene la versión SWING 7 MAGNETIC, aconsejamos efectuar esta pequeña prueba para verificar la funcionalidad.

- A Compruebe, desde el exterior de su vivienda, que la cerradura de cuatro vías esté en la posición abierta de "entrada y salida". Coja la llave magné-

tica y póngala horizontal delante de usted, con el nombre Ferplast para abajo y la flecha dirigida hacia la puerta. La activación del mecanismo debe producirse desde una distancia de aproximadamente 10 cm de la puerta.

- B Fije la llave magnética al collar con la flecha dirigida hacia la cabeza del animal (4b). Se recomienda no colgar en el collar nada a parte la llave magnética, esto para no crear interferencias para el sistema de apertura. Compruebe que el collar no esté ni demasiado apretado ni demasiado flojo (se debe poder quitar el collar del cuello del animal). Lo ideal sería que la llave magnética colgara de manera que la parte inferior quede apenas por encima del borde inferior del túnel cuando el gato se acerca a la puerta (4c). Si el imán no queda a una distancia entre 0 y 4 cm (0-1,5"), el gato podría tener dificultades para activar el mecanismo de apertura (4d-4e).

El funcionamiento manual (10)

Si no se desea utilizar la cerradura magnética, se puede pasar la puerta a la modalidad manual. Para ello hay que girar de 180° el tornillo de exclusión, situado en la parte frontal del exterior de la puerta, desde la posición DX (mecanismo activado) a la posición SX (mecanismo desactivado) como mostrado. **¡Importante!** Esta operación es muy útil si el animal pierde el imán.

La limpieza: eficaz, fácil y rápida

Esta puerta está realizada con plástico de la máxima calidad. Tiene la hoja reforzada y ha sido diseñada para durar mucho. Para mantenerla en las mejores condiciones basta limpiarla de vez en cuando con un paño húmedo.

Si sirve un repuesto (11)

La puerta gatera ha sido diseñada de modo que pueda sustituirse cualquier parte dañada. En concreto, la puerta puede sustituirse desatornillando los tornillos de la parte trasera de la puerta principa (11a). Cuando se coloca una puerta de reemplazo en los modelos SWING 11 y 15, debe asegurarse que los muelles se hayan colocado correctamente en los goznes (11b).

Nuestra asistencia

En el caso, muy raro, de roturas accidentales, tendremos mucho gusto en poder ofrecerle el amplio surtido de su puerta como repuestos. Puede dirigirse a su revendedor Ferplast de confianza.

GARANTÍA. Este producto y todos sus componentes y accesorios están cubiertos por la garantía dentro de los límites previstos en cláusula y los reglamentos legales vigentes. La garantía es válida sólo por defectos de fabricación e incluye la reparación o la sustitución gratuita. La garantía decae por daños o defectos causados por incuria, desgaste, uso no conforme a las indicaciones y advertencias descritas en el presente manual, accidentes, alteraciones, uso impropio, reparaciones erradas, adquisición sin comprobante de pago. Quedan excluidos de la garantía las esponjas, las empaquetaduras y los materiales filtrantes en general.

GB

IT

FR

DE

NL

ES

PT

SK

CS

HU

SV

DA

PL

RU

GB

IT

FR

DE

NL

ES

PT

SK

CS

HU

SV

DA

PL

RU

MAIS LIBERDADE PARA O SEU PET, MAIS LIBERDADE PARA VOCÊ!

Cuidado: Por favor, leia todas as instruções com cuidado antes de começar a instalar a porta de passagem

Aviso: Somente para uso animal. Escolha o modelo em conformidade com o tamanho de seu pet. Este produto (inclusive o modo trancado) não vai prevenir animais indesejáveis ou pessoas (incluindo crianças) de passar pela porta. A Ferplast não se responsabiliza por usos não intencionais e o comprador desse produto aceita total responsabilidade para a abertura que o produto cria. Mantenha longe de crianças; este produto não deve ser usado por pessoas com qualquer tipo de incapacidade. Mantenha as peças pequenas longe de crianças para evitar o perigo de asfixia. Deve ser usado por alguém com idade adequada. Inspeccione regularmente e substitua qualquer parte que fique danificada, solta ou desconectada. Descarte adequadamente o produto em concordância com as leis e regulamentações.

A porta só para eles. A porta de passagem SWING é tão prática para eles como é para você. Você pode usá-la para deixar o seu pet livre para sair para o pátio e voltar para casa, dando a eles a liberdade que não seria permitida. Você também pode oferecer a eles a própria porta personalizada que permita que eles possam entrar e sair com segurança. Com todas as funções a porta de passagem SWING pode ser ajustada para todas as suas necessidades e do seu pet: você pode permitir que os seus pets possam entrar novamente, mas que não possam mais sair. Você pode configurá-la para que a aba seja aberta apenas para eles. Você pode ver rapidamente se eles estão dentro ou fora de casa. Vamos ver como.

AS MARAVILHAS DA PORTA DE PASSAGEM SWING**O sistema de bloqueio de 4 Vias: É tão conveniente! (1)**

A porta de passagem SWING foi projetada para atender todas as suas necessidades e as do seu pet. Por esse motivo você pode contar com um sistema original de bloqueio de 4 vias que lhe permite controlar o uso do seu pet. Você pode escolher entre as seguintes opções: Apenas Entrada / Apenas Saída / Entrada e Saída / Fechado.

Para maior segurança, as portas de passagem SWING modelos 11 e 15 pos-

suem duplo sistema de bloqueio que é controlado por apenas um botão, tudo pela simplicidade.

Sistema corta-vento (2)

Sistema inovador que previne correntes de ar.

Sistema antichoque

Amortecedor de curso na abertura máxima da porta (apenas para os modelos SWING 9, 11 e 15)

Com o indicador de última direção IN (DENTRO) ou OUT (FORA): Você sempre saberá onde eles estão (3)

As menores portas de passagem como:

SWING 5 e SWING 7 MAGNETIC possuem o indicador de última direção IN (DENTRO) ou OUT (FORA). Este sistema vai ajudar você a identificar se o seu pet está dentro ou fora de casa. Este recurso é muito útil se você tiver que sair e não consegue encontrar o seu pet. Uma rápida olhada é suficiente: A bandeira (veja a imagem) na parte inferior da porta irá apontar na última direção em que o seu pet passou por ela depois de fechada.

Aviso! Em severas condições climáticas (vento, etc.) o total funcionamento deste sistema não poderá ser garantido. Se o seu pet abrir a aba sem realmente atravessar por ela, o indicador não será muito confiável.

O sistema magnético: uma chave só para eles (4)

A porta de passagem SWING 7 MAGNETIC também é equipada com a chave magnética, sendo pequeno e prático para ser colocado na coleira do seu pet. A chave magnética permite que o seu pet libere a entrada simplesmente se aproximando dela. O dispositivo é muito prático, ele também permite que apenas o seu pet tenha acesso a sua casa, assim você não corre o risco de receber convidados indesejados.

Aviso! O sistema magnético não funciona perto de materiais metálicos, o que pode interferir na eficiência operacional do mecanismo. Se instalado em portas de vidro duplo com tira de metal entre os painéis, estes não devem estar em contato com a porta de passagem, a menos que seja necessário uma tira plástica. O sistema magnético não funciona se a porta de passagem for instalada em portas metálicas, por exemplo: portas de metal cobertas com PVC (Ultra Resistente Poli cloreto de Vinila), portas com painéis de metal ou portas de segurança. A porta deverá ser isolada (7a).

COMO ENSINAR O SEU PET A USAR A PORTA DE PASSAGEM

SWING. Para ensinar o seu pet como usar a porta de passagem SWING é muito mais fácil do que você pensa. É muito importante não esperar muito do seu pet, mas deixá-lo aprender no seu próprio tempo. A maneira mais fácil do seu pet descobrir isso é deixando a porta totalmente aberta. Os pets são curiosos pela natureza e logo vai ser provocado a atravessar a porta para a liberdade. Se não é o caso do seu pet não ser tão aventureiro, você sempre pode aderir ao método infalível: chantagem, metaforicamente falando. Simplesmente prepare a refeição favorita dele e coloque-a em frente do seu focinho, por primeiro de um lado e em seguida do outro. Seu cão ou seu gato não será capaz de resistir à tentação.

E agora... Empurre! Uma vez que o seu pet se acostumou a passar pela porta, é a hora de enfrentar o próximo passo. Deixe a aba fechada, mas não para o seu pet permitindo que ele possa passar, ele não vai pensar duas vezes antes de empurrá-la para passar para o outro lado. Se isso não acontecer imediatamente, volte ao método de "chantagem". Uma cheirada e seu pet vai naturalmente atingir a meta. É um método comprovado. Muitas vezes uma mudança de casa pode motivar a instalação da porta de passagem. Se você acabou de se mudar, lembre-se que o seu pet também precisa de tempo para se familiarizar com o novo ambiente. Por isso não se apresse: apenas quando o seu pet se sentir perfeitamente em casa, vai sentir a necessidade de descobrir todos os segredos e novas aventuras além da sua porta de passagem. Quanto ao bloqueio, você precisa de um pouco de paciência. Só comece a trancar a porta quando o seu pet usa para entrar e sair. Cães e gatos vão aprender mais rápido que a porta não estará sempre aberta, mas continua sendo uma excelente maneira de entrar e sair por conta própria.

COMO INSTALAR: SEM ERROS. Leia estas instruções com cuidado e você vai achar que a porta de passagem é mais fácil de instalar do que você imaginava. As ferramentas necessárias são as seguintes: Lápis, broca, modelo (fornecidos dentro da embalagem) gabarito, chave de fenda.

Portas de madeira (5)

5a Meça do chão até a barriga do seu pet e posicione o molde (lado A) na porta com a parte inferior na mesma altura. Marque o perímetro na porta usando o marcador

5b Perfure os 4 cantos da área marcada

5c Corte ao longo do perímetro usando o molde para juntar os 4 cantos

5d Lixe as bordas usando folhas de lixa. 12a/b/c/d

O maior parte do trabalho está feito. Ir para o parágrafo "Corte o túnel".

Portas de Vidro (6)

Aviso! Cortar o vidro pode ser perigoso. Você deve consultar um vidraceiro antes de iniciar o trabalho. É impossível furar vidros temperados ou duplos com segurança, a menos que já sejam modificados na fa-

bricação.

6a Meça do chão até a barriga do seu pet e posicione o molde (lado A) na porta com a parte inferior na mesma altura. Marque as medidas usando o modelo de base para centralizar o perímetro dos pontos marcados com o molde.

Siga estas instruções:

6b Faça um orifício circular com raio de 108 mm, caso seja SWING 5 use raio de 105 mm, caso seja SWING 7 MAGNETIC (o centro do orifício está marcado no modelo). 13a

6c Fure 4 orifícios circulares nos cantos da marcação, caso seja os modelos SWING 9, 11 ou 15. Em seguida retire as tangentes dos 4 orifícios para obter uma única abertura no vidro. (Os centros dos furos estão marcados no modelo). 13b/c/d

O maior parte do trabalho está feito. Ir para o parágrafo "Corte o túnel".

Portas de metal (7a)

Siga as mesmas instruções para instalação nas portas de madeira. A única diferença é no caso de instalação do modelo SWING 7 MAGNETIC que precisa ser isolado nas portas de metal para que a chave magnética possa funcionar. Para isolar é necessário usar materiais não metálicos (madeira ou similar), eles devem ter uma espessura mínima de 40 mm em torno de todo o perímetro. Isso impede qualquer interferência e assegura eficácia operacional do mecanismo magnético. O maior parte do trabalho está feito. Ir para o parágrafo "Corte o túnel".

Paredes (7b)

Siga as mesmas instruções para instalação nas portas de madeira (passo 5b, 5c, 5d) devem ser feitos com as ferramentas adequadas). O túnel pode ser instalado em paredes com espessura superior a 55 mm. Neste caso pode ser alargado com reboco. O maior parte do trabalho está feito.

Corte o túnel (8)

NOTA: Não corte o túnel do modelo SWING 7 MAGNETIC devido ao mecanismo delicado.

Corte o túnel no tamanho necessário, isso levará apenas alguns minutos e irá esconder todas as bordas irregulares.

8a Meça a espessura "Y" (porta ou parede) na qual você deseja instalar a porta de passagem.

8b Marque uma linha em torno da superfície do túnel com a distância "Y" mais 8 mm. Você pode usar o modelo (lado B) que foi impresso com os 4 tamanhos mais comuns de instalação (Tab 1) em que "N" indica a fenda para ser usada na marcação da linha e "Y" indica a espessura da abertura na qual você deseja instalar a porta de passagem. Posicione o modelo no túnel e marque a linha na superfície externa relacionado ao tamanho necessário para a instalação.

8c Repita a marca com uma linha no outro lado do túnel.

8d Corte o túnel com uma ferramenta adequada, começando de um dos

pontos e continuando ao longo do perímetro. Não corte os dois lados ao mesmo tempo evitando assim que o corte se afaste da marcação referencial.

Aviso! O túnel fornecido é adequado para instalações de 0-55 mm de espessura. A superfície possui uma ou mais marcações para cortar, dependendo do modelo, posicionados para coincidir com o tamanho para a instalação utilizado. A finalidade é de facilitar o corte da porta de passagem. Antes de fazer qualquer corte, certifique-se que o tamanho que você vai cortar é compatível com a espessura da abertura em portas de madeira, vidro ou parede.

8e O sistema de 4 bloqueios deve ser fixado para o lado de dentro da porta. Posicione a porta de passagem na abertura usando o marcador, marque as posições corretas dos parafusos.

8f Remova a porta de passagem e fure 4 orifícios usando uma furadeira com broca de 4,5 mm.

Posicione a porta de passagem (9)

9a Posicione a porta de passagem e parafuse com os parafusos fornecidos, se necessário eles devem ser cortados e lixados para remover qualquer rebarba. 4 parafusos curtos são fornecidos para instalar em portas de vidro e 4 parafusos longos para todas outras instalações em espessuras de até 55 mm. Os 4 parafusos longos deveram ser cortados em caso de instalações de espessura intermediária (ou seja: para instalações com espessura de 45 mm encurtar os parafusos de 10 mm; para instalações de 35 milímetros de espessura encurtar os parafusos de 20 mm, e assim por diante). Ou você pode comprar um novo conjunto de parafusos para as suas especificações em uma ferragem local.

9b Para finalizar a instalação, tampar os furos com as tampas fornecidas.

A SUA PORTA DE PASSAGEM SWING ESTÁ PRONTA PARA SER USADA!

Um rápido teste com a chave magnética (4)

Se você adquiriu o modelo SWING 7 MAGNETIC nós aconselhamos a realizar este rápido teste para ter certeza de que está funcionando.

A Para ambientes externos, garanta que o sistema de bloqueio esteja na posição de "Entrada e Saída" segurando a chave magnética apontada com a seta na frente da porta de passagem numa distância de 10cm o mecanismo deve ser acionado.

B Fixe a chave magnética na coleira com a seta apontando para cima (4b). Não pendure qualquer outra coisa junto com a chave magnética

na coleira para assim evitar alguma interferência no sistema de abertura. Certifique-se de que a coleira não fique muito apertada e nem muito frouxa (você deve ser capaz de ajustar a coleira do seu animal para poder retirá-la). A chave magnética deve, idealmente, ficar na altura acima da base inferior da porta de passagem quando o seu gato se aproxima da porta (4c). Caso o ímã esteja a uma distância de 0-4cm do fundo da porta de passagem, o gato poderá ter dificuldade para desencadear o mecanismo (4d-4e).

Modo Manual (10)

Se você não deseja usar o sistema magnético, a porta de passagem pode ser configurada para funcionar manualmente. Para fazer isso gire o botão localizado no centro da borda da posição DX (Mecanismo Ativado) para SX (Mecanismo Desativado) como ilustrado. **Importante!** Este procedimento é extremamente necessário se o seu pet perder a chave magnética.

Limpeza: efetiva, rápida e fácil

As portas de passagem são feitas com plástico de alta qualidade. A porta de passagem é reforçada e foi projetada para longa durabilidade. Para mantê-lo em ordem é necessário apenas limpar com um pano levemente umedecido.

Peças de Reposição (11)

A porta de passagem foi projetada para permitir que cada parte danificada possa ser substituída. Em particular, a aba de articulação pode ser substituída retirando os parafusos da parte traseira na porta principal (11a). Ao colocar uma aba de reposição nos modelos SWING 11 e 15 certifique-se de que as molas nas dobradiças estão encaixadas corretamente (11b).

Nosso serviço de Pós-venda

Em casos raros de acidentes de ruptura, nós estamos à disposição para oferecer a você a nossa extensa linha de peças de reposição da porta de passagem que você comprou. Por favor entre em contato com seu vendedor local Ferplast.

GARANTIA. Este produto e todas as suas partes e acessórios são cobertos por garantia dentro dos limites previstos neste parágrafo e os regulamentos legais atualmente em vigor. A garantia é válida somente para defeitos de fabricação e inclui reparos ou substituições sem custo. A garantia não é válida para qualquer dano e/ou defeito causado por negligência, uso que não esteja de acordo com as indicações e avisos relatados neste manual, acidentes, manuseio incorreto, mau uso, reparos inadequados e vendas não acompanhadas de uma nota fiscal. As esponjas, vedações e materiais de filtragem são excluídos da garantia.

GB

IT

FR

DE

NL

ES

PT

SK

CS

HU

SV

DA

PL

RU

GB

IT

FR

DE

NL

ES

PT

SK

CS

HU

SV

DA

PL

RU

VIAC SLOBODY PRE VÁŠHO MILÁČIKA, VIAC SLOBODY PRE VÁS!

Upozornenie: Všetky pokyny si pozorne prečítajte skôr, než začnete inštalovať klapku

Upozornenie: Používať iba pre zvieratá . Vyberte si model, v súlade s veľkosťou vášho domáceho maznáčika. Tento produkt (obsahuje režim blokovania) nezabráni však prichodu nežiaducich zvierat alebo ľudí (vrátane detí) cez dvere . Ferplast nebude zodpovedný za nevhodné použitie a kupujúci tohto produktu prijíma plnú zodpovednosť za spôsob otvárania. Udržujte mimo dosahu detí; tento produkt by nemal byť používaný osobou s akýmkoľvek druhom postihnutia. Udržujte malé súčiastky ďaleko od detí pre zamedzenie nebezpečenstva udusenía. Produkt má byť použitý osobou vhodného veku a na základe uváženia. Pravidelne kontrolujte a vymeňte, ak dôjde k poškodeniu, strate alebo uvoľneniu jej akejkoľvek časti . Zaochádzajte správne s produktom v súlade s právnymi predpismi.

Dvere len pre nich. SWING pet flap je užitočný ako pre Vašich miláčikov tak aj pre Vás. Môžete ju použiť pre voľný pohyb Vašich mačiek a psov von z domu do záhrady a naspäť, a dať im slobodu ,ktorí by inak nedostali. Môžete im ňou ponúknuť svoje vlastné "osobné" dvere, ktoré im umožňujú bezpečne vchádzať a vychádzať. So všetkými funkciami SWING pet flap je možné prispôbiť všetkým Vaším požiadavkám a požiadavkám Vášho miláčika: môžete povoliť miláčikom východ z domu ale nie návrat späť do domu. Môžete zaradiť tak, že klapka sa bude otvárať len pre nich. Môžete dokonca vidieť, na prvý pohľad, či sú vnútri alebo vonku. Pozrite sa ako .

ZÁZRAKY SWING PET FLAPU**Zabezpečovací systém na 4 spôsoby: To je tak výhodné! (1)**

SWING pet flap bol navrhnutý tak, aby spĺňal všetky vaše požiadavky a požiadavky vášho domáceho maznáčika. Z tohto dôvodu sa môžete spoľahnúť na originálny zabezpečovací systém na 4 spôsoby, ktorý Vám tiež umožňuje kontrolu využitia vašim domácim maznáčikom. Môžete si vybrať spomedzi nasledovných úkonov: Len vstup / Len východ / Vstup aj východ / Zamknutie. Pre dlhšiu bezpečnosť, SWING 11 a SWING 15 verzie používajú dvojité blokovací systémy, ktorý sa ovláda len jedným gombíkom , všetko v záujme jednoduchosti.

Systém proti vetru (2)

Inovatívny systém zabraňujúci prievanu.

Protišokový systém

Titmič zdvíhu pri maximálnom otvorení dverí (len pri SWING 9, 11, 15 verziách)
Posledný IN (dovnútra) alebo OUV(von) smerový indicator: Vždy viete kde sa nachádzajú (3)

Malá SWING 5 a malá SWING 7 MAGNETIC tiež využívajú posledný IN alebo OUV smerový indicator. Je to systém, ktorý Vám pomáha zistiť či je Váš miláčik vnútri alebo vonku. Táto funkcia je užitočná ak chcete ísť von a neviete nájsť svojho miláčika. Letný pohľad je dostatočný: "vlajka" (viď obrázok) na spodnej časti pet flapu , bude ukazovať na posledný smer, ktorým išiel Váš miláčik cez klapku potom čo sa zatvorila. **Upozornenie!** V nepriaznivých poveternostných podmienkach (vietor, atď) nemôže byť zaručená úplná spoľahlivosť tohto systému. Ak by vaše zvieratko otvorilo zátkovku bez priameho prechodu cez tunel, indikátor by tiež nemohol byť spoľahlivý.

Magnetický systém: s kľúčom len pre nich (4)

SWING 7 MAGNETIC klapka je tiež vybavená magnetickým kľúčom, ktorý je malý a šikovný štítok pripojený k obojku vášho domáceho maznáčika. Magnetický kľúč umožňuje vášmu maznáčikovi otvoriť klapku jednoducho priblížením sa k nemu. Zariadenie je obzvlášť užitočné, pretože umožňuje použitie dverí len Vášmu domácemu maznáčikovi, takže sa nemusíte obávať stretnutia s nežiaducimi hosťami vo vašej domácnosti. **Upozornenie!**

Magnetický systém SWINGu 7 MAGNETIC nefunguje v blízkosti kovových predmetov, ktoré by mohli zasahovať do prevádzky a efektívnosti mechanizmu. Ak ho inštalujete do dverí s dvojitou vrstvou, kde sa nachádza kovový pasík medzi tabuľami , nesmú sa dotýkať klapky , len keby ste použili plastický separačný pásik. Magnetický systém nefunguje ak je inštalovaný do kovových dverí, napríklad do kovových dverí, ktoré sú obalené s UPVC (Ultra Resistant polyvinylchloridom), do dverí s kovovými panelmi alebo do bezpečnostných dverí. V takýchto prípadoch musia byť dvere izolované.

(7a)

AKO NAUČIť VÁŠHO MILÁČIKA POUŽÍVAť SWING FLAP. Naučíte Vášho miláčika používať SWING flap je oveľa jednoduchšie ako si myslíte. Dôležité je neočakávať od Vášho miláčika veľmi veľa a nechať mu čas na

učenie. Najjednoduchší spôsob pre Vášho miláčika na objavovanie klapky je ak ju necháte úplne otvorenú. Zvieratká sú od prírody zvedavé a budú rýchlo v pokuse ísť cez otvorenú klapku za slobodou. Ak by sa tak predsa len nestalo -a Váš pesik nie je dobrodružný typ- stále sa môžete vrátiť k zaužívaným metódam :k doslovnému vydiarianiu, vyprovokovaniu vášho miláčika. Jednoducho mu pripravte jeho obľúbené jedlo a položte pod nos potom pred dverka najprv z vnútornej strany potom z vonkajšej. Váš pes alebo mačka nebudú vedieť odolať pokúseniu.

A teraz. len tlač! Keď si Váš miláčik už zvykol na prechod cez klapku, je na čase na ďalší krok. Nechajte klapku zatvorenú ,ale nie zamknutú: váš miláčik, ktorý si už osvojil dverka, nebude dvakrát rozmýšľať o tom aby si ich potlačilím otvoril a tým sa dostal na slobodu. Ak by to sa priamo nestalo ,vráťte sa k starej dobrej "vydiaračskej" metóde s jedlom. Stačí jeden čuch a váš pes alebo mačka sa bude prirodzene pokúšať dosiahnuť svoj cieľ. Je to osvedčená metóda. Častokrát stahovanie sa do nového domu je ďalším dôvodom na inštalovanie klapky pre zvieratká. Ak ste sa práve presťahovali , pamätajte si, že aj vaše zvieratko potrebuje čas si zvyknúť na nové prostredie. Preto sa ničím neponáhľajte: iba ak sa vaše zvieratko bude cítiť úplne doma, len vtedy bude cítiť nutkanie objavovať tajomstvá a dobrodružstvá svojho okolia cez svoje vlastné dverka. Pokiaľ ide o zámok, budete potrebovať trochu trpezlivosti: začínajte ho používať až vtedy ak si už Vaše zvieratko úplne zvyklo na pohyb von a dnu cez klapku. Mačky a psy sa rýchlo naučia ,že dverka nie sú vždy otvorené, ale stále im to zostáva ako skvelý spôsob vychádzania a vchádzania po svojom.

AKO NAINŠTALOVAť: BEZ CHÝB. Pozorne si prečítajte nasledovné pokyny a zistíte, že je ľahšie nainštalovať pet flap ako ste si pôvodne mysleli. Potrebne sú nasledujúce nástroje : ceruzka, vrtačka, šablóny (súčasťou balenia), priamočiará píla, skrutkovač.

Drevené dvere (5)

5a Zmerajte výšku brušnej časti vášho domáceho maznáčika od podlahy a umiestnite šablónu (strana A) na dvere so spodkom v rovnakej výške.

Obkreslite šablónu po obvode na dverách pomocou ceruzky.

5b Vyvrtajte 4 otvory v rohoch označenej oblasti.

5c Vyrežte obvod pomocou priamočiarer píly, tak aby sa spojili 4 otvory.

5d Brúsny papierom opracujte hrany na hladko. 12a/b/c/d

Najťažšiu prácu máte hotovú. Teraz prejdite na časť „**Zrežte tunel**“.

Sklenené dvere (6)

Upozornenie! Rezanie skla môže byť nebezpečné. Predtým ako s nimi začnete pracovať musíte konzultovať s nejakým sklenárom z povolania. Je nemožné vyvráť diery do bezpečnostných sklenených dverí ak by neboli tie dvere už dopredu vyrobené s dierami.

6a Zmerajte výšku brušnej časti vášho domáceho maznáčika od podlahy a

umiestnite šablónu (strana A) na dvere so spodkom v rovnej výške. Ceruzkou označte spodok na dverách, ten použite ako základ k strediu kružidla pre body označené na šablóne.

Potom postupujte podľa nasledujúcich pokynov:

6b vyvrtajte diery s priemerom 108 mm alebo 105 mm, samozrejme podľa toho či inštalujete SWING 5 alebo SWING 7 MAGNETIC (stred dierek je označený na šablóne). 13a

6c vyvrtajte 4 diery do rohov klapky, ak je to SWING 9 alebo SWING 11, alebo SWING 15. Potom vyrežte dotyčnice 4 dierek aby ste získali unikátny otvor na skle. (Stredy dierek sú označené na šablóne). 13b/c/d Najťažšiu prácu máte hotovú. Teraz prejdite na časť „Zrežte tunel“.

Kovové dvere (7a)

Nasledujte rovnaké pokyny ako pri drevených dverách. Jediný rozdiel spočíva v tom, že magnetický kľúč SWINGU 7 MAGNETIC je potrebné izolovať v kovových derách, aby mohol kľúč fungovať. Musí byť izolovaný nekovovým materiálom (drevoz alebo niečím podobným), ktorý môže mať minimálnu hrúbku 40 mm po celom obvode. To eliminuje hocjaký zásah a zaisťuje správnu prevádzkovú efektívnosť magnetického mechanizmu. Najťažšiu prácu máte hotovú. Teraz prejdite na časť „Zrežte tunel“.

Steny (7b)

Postupujte podľa rovnakých pokynov, ako v prípade drevených dverí (pri týchto bodoch 5b, 5c a 5d používajte vhodné nástroje). Dodaný tunel môže byť inštalovaný v stenách s hrúbkou väčšou ako 55 mm. V tomto prípade musí byť tunel rozšírený za pomoci cementovej omietky.

Zrežte tunel (8)

POZNÁMKA: Nezrežte tunel SWINGU 7 MAGNETIC lebo obsahuje jemný mechanizmus! Zrežte tunel na požadovanú dĺžku, zabere to len pár minút a zakryje to nerovnú hrany.

8a Zmerajte hĺbku „Y“ (na dverách alebo na stene), na ktorý bude pet flap inštalovaný.

8b Označte líniu pozdĺž vonkajšieho povrchu tunela vo vzdialenosti "Y" plus 8 mm. Môžete použiť šablónu (stranu B), ktorá bola vytlačená so 4 bežnými veľkosťami pre inštaláciu (Tab 1), kde "M" označuje štrbinu, ktorá má byť použitá pre označenie línie a "Y" označuje hrúbku dveri alebo steny, na ktorom má byť pet flap inštalovaný. Umiestnite šablónu na tunel a označte čiaru pomocou štrbiny vzhľadom k inštalácii požadovanej veľkosti.

8c Opakujte označenie čiaru / línie aj na druhej strane tunela.

8d Pilou odrežte tunel, začiatkom v jednom rohu a pokračovaním po celom obvode. Nežrežte dve časti vedľa seba alebo paralelne v rovnakom čase, aby sa zabránilo pohybu smerom od odporúčani. **Upozornenie!**

Dodaný tunel je vhodný pre inštaláciu s hrúbkou od 0-55 mm. Vonkajší povrch má jednu alebo viac drážok, v závislosti od toho, ktorú verziu práve používate, umiestnené sú tak, aby zodpovedali tým najpoužívanejším inštaláčnym veľkostiam. Účelom toho je, aby bolo čo najľahšie odrezať tunel. Pred rezaním pozdĺž týchto drážok treba zabezpečiť, aby miera tunela, ktorý sa chystáte rezať, bola kompatibilná s hrúbkou dreva, skla, či stien.

8e Uzamykací systém na 4-sposoby treba namontovať na vnútornú stranu dveri. Umiestnite klapku do otvoru a pomocou ceruzky, označte body, kde chcete umiestniť skrutky.

8f Odstráňte klapku a vyvrtajte 4 diery pomocou 4,5 mm vŕtačky.

Nasadte pet flap- klapku (9)

9a Nasadte klapku a zaisťte ju pomocou dodaných skrutiek, ktoré môžu byť v prípade potreby zrezané, zmenšené a môžu byť odstránené aj všetky ich ostré hrany. 4 krátke skrutky sú dodávané pre montáž na sklenené dvere a siete proti hmyzu a 4 dlhé skrutky pre všetky ostatné montáže s hrúbkou až 55 mm. Tieto dlhé skrutky budú musieť byť skrátené pri dverách so stredne veľkou hrúbkou (tj: pri inštalácii na hrúbku 45 mm skrátiť skrutky o 10 mm, pri inštalácii na hrúbku 35 mm skrátiť skrutky o 20 mm, atď.). Alebo namiesto nich, by ste si mohli zakúpiť novú sadu skrutiek podľa vašich požiadaviek vo vašom miestnom železiarstve. Príliš krátka skrutka by mohla poškodiť skrutkový závit, zatiaľ čo príliš dlhá skrutka by mohla prelomiť predný panel dveri.

9b Na záver, pokryte otvory pomocou dodaných krytov, uistite sa, či sú správne umiestnené.

VÁŠ SWING PET Klapka JE TERAZ PRIPRAVENÁ NA POUŽITIE!

Rýchly test magnetického kľúča (4)

Ak ste si zakúpili model SWING 7 MAGNETIC odporúčame Vám ho pre istotu rýchlo otestovať či správne funguje.

A Zvonka sa uistite, aby bol zamykací systém na 4 spôsoby nastavený na pozíciu „VON a DNU“ (IN a OUT). Magnetický kľúč držte pred sebou, s označením Ferplast na spodku a šípku smerujúcou hore na klapku. Mechanizmus klapky by sa mal uvoľniť zhruba pri vzdialenosti 10 cm od dveri.

B Zaisťte magnetický kľúč k obojku tak, aby šípka smerovala k hlave vášho maznáčika (4b). Nevešajte nič iné, iba magnetický kľúč k obojku, aby nedochádzalo k narušeniu otváracieho systému. Uistite sa, že obojok nie je ani príliš tesný, ani príliš voľný (mali by ste byť schopní stiahnuť obojok z vášho domáceho maznáčika). Magnetický kľúč by mal byť zavesený

v ideálnej polohe tak, aby sa jej spodná časť dotýkala spodnej hrany tunela, keď sa Vaše zvieratko blíži ku klapke (4c). V prípade, že magnet nie je v ideálnej vzdialenosti od spodnej hrany tunela, t.j. v rozmedzí od 0-4 cm (0-1,5"), Vaše zvieratko by mohlo mať ťažkosti pri spustení otváracieho mechanizmu. (4d-4e).

Manuálne použitie (10)

Ak si neželáte používať magnetický systém, zvieracia klapka môže byť nastavená aj na manuálne použitie. Ak to chcete tak urobiť, prestavte bezpečnostnú skrutku, ktorá sa nachádza na spodnej hrane tunela o 180°, z polohy DX (povolený mechanizmus) do polohy SX (zakázaný mechanizmus), ako je znázornené. **Dôležité!** Tento postup je veľmi užitočný, ak by váš maznáčik stratil magnet.

Čistenie: efektívne, rýchlo a jednoducho.

Táto klapka pre zvieratká je vyrobená z mimoriadne vysoko kvalitného plastu. Klapka je vystužená a bola navrhnutá tak, aby bola odolná voči čas. Ak ju chcete udržať v prevádzke čo najdlhšie, jednoducho ju prečistite raz za čas vlhkou handričkou.

Náhradné diely (11)

Klapka je navrhnutá tak, aby sa každá jednotlivá poškodená časť dala nahradiť. Najmä otočná klapka, môže byť nahradená, tak že sa odstráni skrutky na zadnej časti hlavných dverí (11a). Pri uvedení náhradnej klapky u modelov SWINGu 11 a 15, sa uistite, že sú pružiny správne namontované v pántoch (11b).

Náš popredajný servis

V ojedinelých prípadoch náhodného rozbitia, Vám radi ponúkame výber zo širokého sortimentu náhradných dielov pre pet klapku, ktorú ste si zakúpili. Prosím, obráťte sa na svojho miestneho obchodného zástupcu z Ferplastu. Kvôli objednávaní náhradných dielov, si nechajte tento návod, pretože poskytje kódy potrebné na spracovanie vašej objednávky.

ZÁRUKA. Na tento produkt a všetky jeho diely a príslušenstvo sa vzťahuje záruka v rámci limitov stanovených v tomto odseku v súlade s platnými právnymi predpismi. Záruka sa vzťahuje len na výrobné vady a zahŕňa opravy alebo výmenu bez nákladov. Záruka sa nevzťahuje na škody a poruchy zapríčinené zanedbaním, opotrebením, používaním v rozpore s návodom a upozorneniami uvedenými v tomto návode, nehadami, nesprávnou manipuláciou, zneužitím, nenáležitými opravami a ani na predaj, pri ktorom nedošlo k vydaniu príjmového dokladu. Záruka sa nevzťahuje na špongie, tesnenia a filtračný materiál.

GB

IT

FR

DE

NL

ES

PT

SK

CS

HU

SV

DA

PL

RU

GB

IT

FR

DE

NL

ES

PT

SK

CS

HU

SV

DA

PL

RU

VÍCE SVOBODY PRO VAŠEHO MILÁČKA, VÍCE SVOBODY PRO VÁS!

Upozornění: Všechny pokyny si pečlivě přečtěte dříve, než začnete instalovat klapku

Upozornění: Používat pouze pro zvířata. Vyberte si model, v souladu s velikostí vašeho domácího mazlíčka. Tento produkt (obsahuje režim blokování) nezabrání však průchodu nežádoucích zvířat nebo lidí (včetně dětí) přes dveře. Ferplast nebude odpovědný za nevhodné použití a kupující tohoto produktu přijímá plnou odpovědnost za způsob otevírání. Udržujte mimo dosah dětí; tento produkt by neměl být používán osobou s jakýmkoli druhem postižení. Udržujte malé součástky daleko od dětí pro zamezení nebezpečí udušení. Produkt má být použit osobou vhodného věku a na základě uvážení. Pravidelně kontrolujte a vyměňte, pokud dojde k poškození, ztrátě nebo uvolnění její jakékoliv části. Zacházejte správně s produktem v souladu s právními předpisy.

Dveře jen pro ně. SWING pet flap je užitečný jako pro Vaše miláčky taky aj pro vás. Můžete ji použít pro volný pohyb Vašich koček a psů ven z domu do zahrady a zpět, a dát jim svobodu, kterou by jinak nedostali. Můžete jim ní nabídnout své vlastní "osobní" dveře, které jim umožňují bezpečně vycházet a vycházet. So všemi funkcemi SWING pet flap lze přizpůsobit všem Vaším požadavkům a požadavkům Vašeho miláčka: můžete povolit miláčkem východ z domu ale ne návrat zpět do domu. Můžete zadat taky, že klapka se bude otevírat jen pro ně. Můžete dokonce vidět, na první pohled, zda jsou uvnitř nebo vonku. Pozrite se jako.

ZÁZRAKY SWING PET FLAPU

Zabezpečovací systém na 4 způsoby: To je tak výhodné! (1) SWING pet flap byl navržen tak, aby splňoval všechny vaše požadavky a požadavky vašeho domácího mazlíčka. Z tohoto důvodu se můžete spolehnout na originální zabezpečovací systém na 4 způsoby, který Vám také umožňuje kontrolu využití vašim domácím mazlíčkem. Můžete si vybrat z následujících úkonů: Jen vstup / Jen východ / Vstup i východ / Zamknutí. Pro delší bezpečnost, SWING 11 a SWING 15 verze používají dvojitý blokovací systém, který se ovládá jen jedním knoflíkem, vše v zájmu jednoduchosti.

Systém proti větru (2)

Inovativní systém zabraňující průvanu.

Protišokový systém

Tlumíci zdvihu při maximálním otevření dveří (pouze při SWING 9, 11, 15 verzích).

Poslední IN (dovnitř) nebo OUT (ven) směrový indikátor: Vždy víte kde se nacházíte! (3)

SWING 5 a SWING 7 MAGNETIC také využívají poslední IN nebo OUT směrový indikátor. Je to systém, který Vám pomáhá zjistit zda je Váš miláček uvnitř nebo vonku. Tato funkce je užitečná pokud chcete jít ven a nevíte najít svého miláčka. Letmý pohled je dostatečný: "vlajka" (viz obrázek) na spodní části pet flapu, bude ukazovat na poslední směr, kterým šel

Váš miláček přes klapku poté co se zavřela. **Upozornění!** V nepříznivých povětrnostních podmínkách (vítr, atd) nemůže být zaručena naprostá spolehlivost tohoto systému. Pokud by vaše zvířátko otevřelo záklopkou bez přímého přechodu přes tunel, indikátor by také nemohl být spolehlivý.

Magnetický systém: s klíčem pouze pro ně (4)

SWING 7 MAGNETIC klapka je také vybavena magnetickým klíčem, který je malý a šikavý štítek připojený k obojku vašeho domácího mazlíčka. Magnetický klíč umožňuje vašemu mazlíčkovi otevřít klapku jednoduše přiblížením se k němu. Zařízení je zvláště užitečné, protože umožňuje použití dveří jen Vašemu domácímu mazlíčkovi, takže se nemusíte obávat setkání

s nežádoucími hosty ve vaší domácnosti. **Upozornění!** Magnetický systém SWING 7 nefunguje v blízkosti kovových předmětů, které by mohly zasahovat do provozu a účinnosti mechanismu. Pokud ho instalujete do dveří s dvojitou vrstvou, kde se nachází kovový pasik mezi tabulemi, nesmí se dotýkat klapky, jen kdybyste použili plastický separační pásek. magnetický systém nefunguje pokud je instalován do kovových dveří, například do kovových dveří, které jsou obaleny s UPVC (Ultra Resistant polyvinylchloridem), do dveří s kovovými panely nebo do bezpečnostních dveří. V takových případech musí být dveře izolovány. (7a)

JAK NAUČIT VÁŠEHO MILÁČKA POUŽÍVAT SWING FLAP. Naučit

Vašeho miláčka používat SWING flap je mnohem jednodušší než si myslíte. Důležité je nečekávat od Vašeho miláčka velmi mnoho a nechat mu čas na učení. Najednodušší způsob pro Vašeho miláčka na objevování klapky je pokud ji necháte zcela otevřenou. Zvířátka jsou od přírody zvědavá a budou rychle v pokušení jít přes otevřenou klapku za svobodou. Pokud by se tak přece jen nestalo – a Váš pesjek není dobrodružný typ – stále se můžete vrátit k zažitým metodám: k doslovnému vydráždění, vyprovokování vašeho miláčka. Jednoduho mu připravte jeho oblíbené jídlo a položte pod nos pak před dvířka nejprve z vnitřní strany pak z vonkající. Váš pes nebo kočka nebudou vědět odolat pokušení.

A teď' ... jen tiskni ! Když si Váš miláček už zvykl na přechod přes klapku, je na čase na další krok. Nechajte klapku zavřenou, ale ne zamčnou: váš miláček, který si již osvojil dvířka nebude dvakrát přemýšlet o tom aby si je potlačilím otevřel a tím se dostal na svobodu. Pokud by se to přímo nestalo, vraťte se ke staré dobré "vyděračské" metodě s jídlem. Stačí jeden čich a váš pes nebo kočka se bude přirozeně pokoušet dosáhnout svého cíle. Je to osvědčená metoda. Častokrát stěhování se do nového domu je dalším důvodem k instalaci klapky pro zvířátka. Ak jste se právě přestěhovali, pamatujte si, že i vaše zvířátko potřebuje čas si zvyknout na nové prostředí. Preto ničím nespěchejte: Pouze pokud se vaše zvířátko bude cítit naprosto doma, jen tehdy bude cítit nutkání objevovat tajemství a dobrodružství svého okolí přes své vlastní dvířka. Pokud jde o zámek, budete potřebovat trochu trpělivosti: začněte jej používat až tehdy pokud si už vaše zvířátko zcela zvyklo na pohyb ven a dovnitř přes klapku. Mačky a psi se rychle naučí, že dvířka nejsou vždy otevřené, ale pořád jim to zůstává jako skvělý způsob vycházení a vcházení po svém.

JAK NAINSTALOVAT: BEZ CHYB. Pozorně si přečtěte následující pokyny a zjistíte, že se snaží nainstalovat pet flap jak jste si původně mysleli. Potřebné jsou následující nástroje: tužka, vrtačka, šablony (součástí balení), přímočará pila, šroubovák.

Dřevěné dveře (5)

5a Změřte výšku bršňní části vašeho domácího mazlíčka od podlahy a umístěte šablonu (strana A) na dveře se spodem ve stejné výši. Obkreslete šablonu po rovodu na dveřích pomocí tužky.

5b Vyvrtejte 4 otvory v rozích označené oblastí.

5c Vyřízněte obvod pomocí přímočaré pily, tak aby se spojily 4 otvory.

5d Brúsny m papírem opracujte hrany na hladce. 12a/b/c/d

Nejčtší práci máte hotovou. Myní přejděte na část "**Seříznete tunel!**".

Skleněné dveře (6)

Upozornění! Řezání skla je nebezpečné. Předtím jak s nimi začnete pracovat musíte konzultovat s nějakým sklenářem z povolání. Je nemožné vyvrtat díry do bezpečnostních skleněných dveří pokud by nebyly

ty dveře už dopředu vyrobené s dírami.

6a Změřte výšku bříšní části vašeho domácího mazlíčka od podlahy a umístěte šablonu (strana A) na dveře se spodem ve stejné výši. Tužkou označte spodek na dveřích, ten použijte jako základ k středu kružítka pro body označené na šabloně.

Poté postupujte podle následujících pokynů:

6b vyvrtejte díru o průměru 108 mm nebo 105 mm, samozřejmě podle toho zda instalujete SWING 5 nebo SWING 7 MAGNETIC (střed dírek je označen na šabloně). 13a

6c v vyvrtejte 4 díry do rohů klapky, pokud je to SWING 9, 11 nebo 15. Potom vyřízněte tečky 4 dírek aby získali unikátní otvor na skle. (Střed dírek jsou označeny na šabloně). 13b/c/d

Nejtěžší práci máte hotovou. Nyní přejděte na část "**Seřízněte tunel**".

Kovové dveře (7a)

Následujte stejné pokyny jako u dřevěných dveří. Jediný rozdíl spočívá v tom, že magnetický klíč SWING 7 MAGNETIC je třeba izolovat v kovových derách, aby mohl klíč fungovat. Musí být izolován nekovovým materiálem (dřevem nebo něčím podobným), který může mít minimální tloušťku 40 mm po celém obvodu. To eliminuje ledajaký zásah a zajišťuje správnou provozní efektivitu magnetického mechanismu. Nejtěžší práci máte hotovou. Nyní přejděte na část "**Seřízněte tunel**".

Stěny (7b)

Postupujte podle stejných pokynů, jako v případě dřevěných dveří (při těchto bodech 5b, 5c a 5d používejte vhodné nástroje). Dodaný tunel může být instalován do stěn tloušťky větší než 55 mm. V tomto případě musí být tunel rozšířen za pomoci cementové omítky.

Seřízněte tunel (8)

POZNÁMKA: Nezřežte tunel SWING 7 MAGNETIC neboť obsahuje jemný mechanismus! Seřízněte tunel na požadovanou délku, zabere to jen pár minut a zarkryje to nerovné hrany.

8a Změřte hloubku "Y" (na dveřích nebo na stěně), na který bude pet flap instalován.

8b Označte linii podél vnějšího povrchu tunelu ve vzdálenosti "Y" plus 8 mm. Můžete použít šablonu (stranu B), která byla vytištěna se 4 běžnými velikostmi pro instalaci (Tab 1), kde "N" označuje šterbinu, která má být použita pro označení linie a "Y" označuje tloušťku dveří nebo stěny, na němž má být pet klapka instalována. Umístěte šablonu na tunel a označte čáru pomocí šterbiny vzhledem k instalaci požadované velikosti.

8c Opakujte označení čáry / linie i na druhé straně tunelu.

8d Pilou odřízněte tunel, začátkem v jednom rohu a pokračováním po celém obvodu. Neřežte dvě části vedle sebe nebo paralelně ve stejnou

dobu, aby se zabránilo pohybu směrem od doporučení. **Upozornění!** Dodaný tunel je vhodný pro instalaci s tloušťkou od 0-55 mm. Vnější povrch má jednu nebo více drážek, v závislosti na tom, kterou verzi právě používáte, umístěné jsou tak, aby odpovídaly těm nejpoužívanějším instalačním velikostem. Účelem toho je, aby bylo co nejsnadnější odříznout tunel. Před řezáním podél těchto drážek třeba zajistit, aby míra tunelu, který se chystáte řezat, byla kompatibilní s tloušťkou dřeva, skla, či stěn.

8e Uzamykací systém na 4-způsoby třeba namontovat na vnitřní stranu dveří. Umístěte klapku do otvoru a pomocí tužky, označte body, kde chcete umístit šrouby.

8f Odstraňte klapku a vyvrtejte 4 díry pomocí 4,5 mm vrtačky.

Nasadte pet flap- klapku (9)

9a Nasadte klapku a zajištěte ji pomocí dodaných šroubů, které mohou být v případě potřeby seříznuté, zmenšené a mohou být odstraněny i všechny jejich ostré hrany. 4 krátké šrouby jsou dodávány pro montáž na skleněné dveře a sítě proti hmyzu a 4 dlouhé šrouby pro všechny ostatní montáže o tloušťce až 55 mm. Tyto dlouhé šrouby budou muset být zkráceny u dveří se středně velkou tloušťkou (tj: při instalaci na tloušťku 45 mm zkrátit šrouby o 10 mm, při instalaci na tloušťku 35 mm zkrátit šrouby o 20 mm, atd.). Nebo namísto nich, byste si mohli zakoupit novou sadu šroubů dle vašich požadavků ve vašem místním železářství. Příliš krátká šroub by mohla poškodit šroubový závit, zatímco příliš dlouhá šroub by mohla prolomit přední panel dveří.

9b Na závěr, pokryjte otvory pomocí dodaných krytů, ujistěte se, zda jsou správně umístěny.

VÁŠ SWING PET Klapka JE NYNÍ PŘIPRAVENA K POUŽITÍ!

Rychlý test magnetického klíče (4)

Pokud jste si zakoupili model SWING 7 MAGNETIC doporučujeme Vám jej pro jistotu rychle otestovat zda správně funguje.

4a Z vnějšíku se ujistěte, aby byl zamykací systém na 4 způsoby nastaven na pozici "VEN a DNU" (IN a OUT). Magnetický klíč držte před sebou, s označením Ferplast na spodku a šipkou směřující nahoru na klapku. Mechanismus klapky by se měl uvolnit zhruba při vzdálenosti 10 cm od dveří.

4b Zjistěte magnetický klíč k obojku tak, aby šipka směřovala k hlavě vašeho mazlíčka (4b). Nevěste nic jiného, pouze magnetický klíč k

oboek, aby nedocházelo k narušení otvíracího systému. Ujistěte se, že obojek není ani příliš těsný, ani příliš volný (měli byste být schopni stáhnout obojek z vašeho domácího mazlíčka). Magnetický klíč by měl být zavěšen v ideální poloze tak, aby se její spodní část dotýkala spodní hrany tunelu, když se Vaše zvířátko blíží ke klapce (4c). V případě, že magnet není v ideální vzdálenosti od spodní hrany tunelu, tj. v rozmezí od 0-4 cm (0-1,5"), Vaše zvířátko by mohlo mít potíže při spuštění otvíracího mechanismu. (4d-4e).

Manuální použití (10)

Pokud si nepřejete používat magnetický systém, zvířecí klapka může být nastavena i na manuální použití. Pokud to chcete tak učinit, přestavte bezpečnostní šroub, která se nachází na spodní hraně tunelu o 180°, z polohy DX (povolený mechanismus) do polohy SX (zakázaný mechanismus), jak je znázorněno.

Důležité! Tento postup je velmi užitečný, pokud by váš mazlíček ztratil magnet.

Čištění: efektivně, rychle a jednoduše.

Tato klapka pro zvířátka je vyrobena z mimořádně vysoce kvalitního plastu. Klapka je vyztužená a byla navržena tak, aby byla odolná vůči času. Pokud ji chcete udržet v provozu co nejdéle jednoduše ji pročistěte jednou za čas vlhkým hadříkem.

Náhradní díly (11)

Klapka je navržena tak, aby se každá jednotlivá poškozená část dala nahradit. Zejména otočná klapka, může být nahrazena, tak že se odstraní šrouby na zadní části hlavních dveří (11a). Při uvedení náhradní klapky u modelů SWINGu 11 a 15, se ujistěte, že jsou pružiny správně namontovány v pantech (11b).

Náš poprodejní servis

V ojedinělých případech náhodného rozbití, Vám rádi nabídneme výběr ze širokého sortimentu náhradních dílů pro pet klapku, kterou jste si zakoupili. Prosím, obraťte se na svého místního obchodního zástupce z Ferplastu.

ZÁRUKA. Na tento produkt a všechny jeho díly a příslušenství se vztahuje záruka v rámci limitů stanovených v tomto odstavci v souladu s platnými právními předpisy. Záruka se vztahuje jen na výrobní vady a zahrnuje opravy nebo výměnu bez nákladů. Záruka se nevztahuje na škody a poruchy zapříčiněné zanedbáním, opotřebením, používáním v rozporu s návodem a upozorněními uvedenými v tomto návodu, nehodami, nesprávnou manipulací, zneužitím, nenáležitými opravami a ani na prodej, při kterém nedošlo k vydání příjmového dokladu. Záruka se nevztahuje na houby, těsnění a filtrační materiál.

GB

IT

FR

DE

NL

ES

PT

SK

CS

HU

SV

DA

PL

RU

GB

IT

FR

DE

NL

ES

PT

SK

CS

HU

SV

DA

PL

RU

TÖBB SZABADSÁG KEDVENCÉNEK, TÖBB SZABADSÁG ÖNNEK!

Kérjük, olvassa el figyelmesen az útmutatót, mielőtt azt elkezdí beszerelni

Figyelmeztetés: Csak az állatok számára használható. A modellt a kisállat méretének megfelelően válassza ki. Ez a termék (zár módot tartalmaz), de nem akadályozza meg a nem kívánt állatok vagy az emberek (beleértve a gyerekeket) átjárását az ajtón. A Ferplast nem felelős a termék nem megfelelő használatáért és a vevő teljes felelősséget vállal a nyitogatás módjáért. Tartsa távol a gyermekektől; ezt a terméket nem használhatják fogyatékos-sággal élő személyek. A kis méretű alkatrészeket tartják távol a gyermekektől, hogy elkerüljék a fulladás veszélyét. A terméket csak megfelelő koru személyek használhatják a legjobb belátásuk szerint. Rendszeresen ellenőrizze és cserélje ki a terméket, ha megkárosodik, elveszik vagy kilazul a termék bármely része. A terméket a törvény által hozott utasítások szerint használja.

ING műanyag csapóajtó ugyanannyira hasznos Önnek, akár csak kedvencének. Használhatja, hogy kedvencei szabadon kijussanak a kertbe és vissza, így szabadságot adva nekik. Szintén használhatja „személyre szabott” ajtóként, ami engedélyezi kedvenceinek a biztonságos ki és bemenetelt. Az összes funkciójával, a SWING műanyag csapóajtó illeszkedhet az Ön és kedvence elvárásaihoz: Megengedheti kedvencének, hogy ismét belépjen, de vissza ki ne. Beállíthatja, hogy a csapóajtó csak nekik nyíljon ki. Egy pillantással megláthatja, hogy kedvence kint vagy bent tartózkodik. Lássuk hogyan.

A MŰANYAG CSAPÓAJTÓ CSODÁI

Négyféle záró rendszer: Nagyon hasznos! (1)

A SWING műanyag csapóajtót az Önök és kedvenceik igényei szerint tervezték. Ebből kifolyólag megbízhat a négyféle záró rendszerben, amely lehetővé teszi, hogy ellenőrizze hányszor használta kedvence az ajtót.

A következők közül választhat: Csak BE / Csak KI / KI és BE / Zárva.

További védelem érdekében a közepes SWING 11 és nagyobb SWING 15

verziók dupla záró rendszert használnak, amely egy kilinccsel van szabályozva, mindez az egyszerűség kedvéért.

Széfófog rendszer (2)

Innovatív szellőző rendszer a huzat megelőzésére.

Anti –sokk rendszer

Ütés tompító az ajtó maximális nyílásánál (SWING 9-11-15)

Az utolsó KI és BE irány mutató: Mindig tudni fogja, hol vannak a kedvencei (3)

A kis SWING 5-ben és kis SWING 7 MAGNETIC ben használják az utolsó ki és utolsó be irány szabályozót. Ez a rendszer abban segít, hogy követhesse, kedvence éppen kint vagy bent tartózkodik. Ez a funkció akkor hasznos, amikor el kell mennie, de nem találja kedvencét. Elég egy gyors pillantás: a „zársló” (lást ábra) az alsó részen azt az irányt fogja mutatni, amerre kedvence ment.

Figyelmeztetés! Rossz időjárási viszonyok mellett (szél, stb.) a rendszer teljes megbízhatósága nem garantált, ha kedvence úgy nyitja ki a csapóajtót, hogy nem megy át az alagúton, a szabályozó nem biztos, hogy megbízható lesz.

Mágneses kulcs: egy kulcs csak nekik (4)

A SWING 7 MAGNETIC csapóajtó szintén rendelkezik mágneses kulccsal is, egy címke, kicsi és praktikus a kedvence nyakörvéhez csatolva. A mágneses kulccsal kedvence könnyedén kinyithatja a csapóajtót annak megközelítésével. A műszer különösen hasznos, mert csak az Ön kedvencének engedi meg az ajtó használatát, így garantált, hogy lakásában nem találkozik nem kívánt vendégekkel.

Figyelmeztetés! A SWING 7 MAGNETIC rendszere nem működik fém tárgyak közelében, amelyek hátráltathatják a mechanizmus megbízható működési hatékonyságát. Amennyiben duplafalú ajtóba szerelik, amelyekben fém sáv húzódik a táblák közt, az nem érintheti a csapóajtót, hacsak nem egy műanyag elválasztó sávot használnak. A mágneses rendszer nem működik, ha fém ajtóba helyezik őket, pl. fém ajtó uPVC bevonattal, ajtók fém panelekkel vagy biztonságai ajtók. Az ajtót ilyen esetben szigetelni kell. (7a)

HOGYAN TANÍTSA MEG KEDVENCEIT AZ AJTÓ HASZNÁLÁSÁRA. A SWING csapóajtó használatát sokkal egyszerűbb megtanítani

kedvencével, mint gondolná. Fontos, hogy ne várjon el túl sokat kedvencétől, hanem hagyjon neki megfelelő időt a tanulásra. A legegyszerűbb módja a felfedezésnek, ha teljesen nyitva hagyja a csapóajtót. Az állatok természetükönl fogva kíváncsiak, és gyorsan megkísérti majd őket nyitott rés, hogy kijussanak a természetbe. Amennyiben nem így történe – az Ön kedvence nem olyan kalandos, mindig visszatérhet egyszerűbb módszerekhez: szarolja meg az állatot, szó szerint. Egyszerűen készítse el a kedvence ételét és tegye az orra elé, először a csapóajtó egyik felén, majd a másikon. A macskája vagy kutyája így nem fog tudni ellenállni a kísértésnek.

És most...csak told. Amikor kedvence már megszokta az átjárást a csapóajtón, itt az idő a következő lépésnek. Hagyja lecsukva a csapóajtót, de ne zárja be azt: kedvence, aki most már magáénak tartja az ajtót tétovázás nélkül benyomja azt, hogy a túldolalra jusson. Amennyiben ez nem történne meg, térjen vissza a régi „zárslós” módszerhez. Elég egy kis szimat és kedvence természetes módon fogja megpróbálni elérni célját. Ez egy bizonyított módszer. Gyakran a költözés is jó okot adhat a csapóajtó beszerelésére. Amennyiben csak most költözték, ne feledje, a kedvencének is időre van szüksége, hogy megszokja az új környezetét. Ne sürgessék: csak ha már tökéletesen otthon érzi magát kedvence, ekkor fogja érezni a felfedezés vágyát, titkokat és kalandokat, ezek közt az új magán ajtót is. A zárral kapcsolatban egy kis türelemre lesz szüksége: akkor kezdje el használni a zárat, ha kedvence már megszokta a ki- és bemozgást. A macskák és kutyák hamar megtanulják, hogy az ajtó nincs mindig nyitva, de minden formában egy csodás módszer marad a ki- és bemozoghöz.

BESZERELÉS HIBÁK NÉLKÜL. Figyelmesen olvassa el a következő útmutatót és megtudja, hogy a csapóajtó beszerelése sokkal egyszerűbb, mint gondolta. A következő eszközök szükségese: ceruza, fúró, sablon (a dobozban található), fűrés és csavarhúzó.

Fa ajtók (5)

- 5a Mérije meg kedvence has magasságát a földtől és helyezze el a sablont (A felét) az ajtón ugyanabban a magasságban. Rajzolja körbe a sablon körvonalát az ajtón a ceruzát használva.
- 5b Fúrjon négy lyukat a kijelölt sarkakba.
- 5c Vágja ki a körvonalat a fűrés segítségével, úgy hogy a négy lyukat összekösse.
- 5d Simítsa ki a széleket reszelő vagy dörzspapír segítségével. 12a/b/c/d

A legnehezebb feladato már teljesítette. Most folytassa a “**Vágja le az alagutat**” részzel.

Üvegajtók (6)

Figyelmeztetés! Az üvegvágás veszélyes lehet. Vegye fel a kapcsolatot egy üveg kereskedővel, mi-

előtt a munkához látna. Lehetetlen lyukakat fúrni a biztonsági üvegekbe, hacsak nem gyártáskor a táblák már ki lettek fúrva.

6a Mérje meg kedvence hasmagasságát a földtől és helyezze el a sablont (A felét) az ajtón ugyanabban a magasságban. Ceruzával jelölje meg az alsó részt, ezt használja alapul, hogy ilyen távolságban köröz segítségével kört rajzoljon.

A köröz a mellékelt sablon segítségével középre helyezze, majd kövesse a következő lépéseket:

6b Fúrjon egy 108 mm átmérőjű lyukat, amennyiben a SWING 5-öt vagy SWING 7 MAGNETIC-et választotta, 105 mm átmérőjű lyukat (A lyukak közepe ki van jelölve a sablonon). 13a

6c fúrjon négy lyukat a csapóajtó négy sarkába, amennyiben a SWING 9, 11 vagy 15-ről van szó, majd a négy lyukat összekötő érintővonalat vágja ki, így megkapja az egyedi lyukat az üvegen. (A lyukak közepe ki van jelölve a sablonon). 13b/c/d

A legnehezebb feladato már teljesítette. Most folytassa a **“Vágja le az alagutát”** részzel.

Fém ajtó (7a)

Kövesse ugyanazokat a lépéseket, mint a fa ajtó esetében. A különbség annyi, hogy a SWING 7 MAGNETIC-ben lévő kis mágneses kulcsot izolálni kell a fém ajtóban, hogy megfelelően működjön a kulcs. Nem fémes anyaggal (fa vagy hasonló) kell izolálni, amely legalább 40 mm vastagságú az egész körvonal körül. Ez megakadályoz bármiféle beavatkozást és biztosítja a mágneses rendszer működési hatékonyságát. A legnehezebb feladato már teljesítette. Most folytassa a **“Vágja le az alagutát”** részzel.

Falak (7b)

Kövesse ugyanazokat a lépéseket, mint a fa ajtó esetében. (5b, 5c és 5d-ös pontokban leírt munkához használjon megfelelő eszközöket). A csomagban található alagút beszerelhető több mint 55 mm vastagságú falakba is. Ebben az esetben az alagutát gipszsel bővíthetjük. A legnehezebb feladato már teljesítette.

Vágja le az alagutát (8)

Megjegyzés: Ne vágja le a mágneses SWING 7 MAGNETIC alagútját, mert finom mechanizmust tartalmaz.

Vágja el az alagutát a kívánt hosszúságra, ez néhány pillanattal tart és elfedi majd az érdes széleket.

8a Mérje meg az „Y” mélységet (az ajtón vagy falon) amelyikre a csapóajtó beszerelésre kerül.

8b Jelöljön egy vonalat az alagút külső felületén az „Y” távolságban, plusz 8 mm. Használhatja a csatló sablont (B felét), amelyen 4

gyakori beszerelési méret van feltüntetve (Tab. 1), ahol „N” a bemetszési jelölés, amelyet a vonal jelölésére használnak és „Y” az ajtó vagy fal mélységét jelölés, amelyre a csapóajtó kerül beszerelésre. Helyezze a sablont az alagútra és jelöljön egy vonalat a bemetszés-sel a megfelelő beszerelési méretnek megfelelően.

8c Ismétlje meg a vonal jelölését az alagút másik felén.

8d Vágja el az alagutát a fűrészsel, az egyik sarkonál kezdve a körvonalon haladva. Ne vágjon két részt egymás mellett vagy párhuzamosan egymással, hogy elkerülje az eltávolodást a jelektől.

Figyelmeztetés! A mellékelt alagút 0-tól 55 mm-es vastagságú beszerelésre alkalmas. A külső felületen egy vagy több mélyedés található, attól függően, hogy melyik verzióról van szó, úgy elhelyezve, hogy a leggyakoribb beszerelési méretekhez illő legyen. Ez az alagút levágásának céljából van feltüntetve. Mielőtt levágná a mélyedések mentén, győződjön meg róla, hogy az alagút méretben megfelelő a fa, üveg vagy fal vastagságával.

8e A négyféle záró rendszert az ajtó belső feléről kell beilleszteni. Helyezze el a csapóajtót a nyílásba és a ceruza segítségével jelölje ki a pontokat, ahova a csavarokat kell elhelyezni.

8f Távolítsa el a csapóajtót és fúrjon négy lyukat 4,5 mm-es fúrófej segítségével.

Illesse be a csapóajtót (9)

9a Illesse be a csapóajtót és biztosítsa azt a dobozban található csavarokkal, amelyek szükséges esetén kisebbre lehet vágni és lecsiszolni, hogy eltávolítsuk az éles széleket. 4 db rövid csavar található a dobozban az ablaküvegekhez és szűnyoghálókhoz, és 4 db hosszú csavar az összes többi beszereléshez, 55 mm vastagsággal. A hosszú csavarokat rövidíteni kell középvastagságú ajtóknál (pl. 45 mm vastagságnál vágjon le 10 mm-t, 35 mm vastagságnál vágjon le 20 mm-t, stb). Vágás helyett vehet megfelelő hosszúságú csavarokat a helyi vaskereskedésben. A túl rövid csavar tönkre teheti a csavarnetet, míg a túl hosszú eltörheti az ajtó első lemezét.

9b Végül takarja el a csavarokat a dobozban található csavarfedőkkel, győződjön meg róla, hogy helyesen helyezeli el azokat.

A SWING CSAPÓAJTÓ KÉSZEN ÁLL A HASZNÁLATRA!

A mágneses kulcs gyors tesztelése (4)

Amennyiben a mágneses SWING 7 MAGNETIC verziót vásárolta meg, azt tanácsoljuk, hogy végezzen el egy gyors tesztet, hogy meggyőződjön a

helyes működésről.

4a Kívülről győződjön meg, hogy a négyféle záró rendszer közül a „K1 és BE” pozíció legyen beállítva. A mágneses kulcsot tartsa maga előtt a Ferplast névvel alul és a nyílall felé. A csapóajtó mechanizmusa durván 10 cm-re az ajtótól kioldódik.

4b Biztosítsa a mágneses kulcsot a nyakörvre úgy, hogy a nyíl a kedvence feje felé mutasson. (4b). Ne akasszon semmi mást a nyakörvre, nehogy megzavarja valamely nyílárendszer. Győződjön meg róla, hogy a nyakörv sem túl szoros, sem túl bős (le kéne tudni húzni a nyakörvet a kedvence fejéről). A mágneses kulcsnak megfelelően kell lógnia, hogy az alagút alsó részét érintse, amikor a kedvence megközelíti a csapóajtót. (4c). Amennyiben a mágnes nem megfelelő távolságban van az alagút alsó részétől 0-4 cm, a kedvencének nehézsége lehet a nyitómechanizmus kioldásakor. (4d-4e)

Kézi használat (10)

Amennyiben nem szeretné a mágneses rendszert használni, a csapóajtót kézi használatra is állíthatja. Ehhez szükséges a biztosító csavart az alagút alsó részén 180°-kal a DX helyzetből (engedélyezett mechanizmus) az

SX helyzetbe fordítani (nem engedélyezett mechanizmus). **Fontos!**

Ez a folyamat nagyon hasznos, amennyiben a kedvence elveszíti a mágneset.

Tisztítás: hatékony, gyors és egyszerű

Ez a műanyag csapóajtó rendkívül jó minőségű műanyagból készül. A csapóajtó erőstett és úgy tervezték, hogy időtálló legyen. Időnként törölje át nedves ronggyal, hogy megfelelő működésben maradjon az ajtó.

Alkatrészek (11)

A csapóajtót úgy tervezték, hogy minden egyes alkatrészt cserélhető legyen. Különösen a csapóajtó cserélhető a csavarok kivételével a fő ajtó hátsó részéből (11a). Amikor az új csapóajtót helyezi be a SWING 11-be és SWING 15-be, győződjön meg arról, hogy a rugók a fogópontokban helyesen vannak elhelyezve (11b).

Eladás utáni szolgáltatásaink

Abban a ritka esetben, ha eltört a csapóajtó, alkatrészek széles körű választékát biztosítjuk a megvásárolt SWING csapóajtóhoz. Kérjük, forduljon helyi Ferplast ügynőkhöz.

GARANCIA. Ennek a terméknek az alkatrészeire és tartozékaira is vonatkozik a garancia, ebben a bekezdésben a jelenlegi hatályos jogszabályok keretein belül. A garancia csak a gyártási hibákra vonatkozik, és a javítást vagy a szállítást nélküli cserét foglalja magába. A garancia nem vonatkozik az elhanyagolásból, elhasználódásból, az utasítással vagy az utasításban található figyelmeztetésekkel ellentétes használatból, balesetekből, helytelen használatból, a nem megfelelő javításokból adódó hibákra, ill. az olyan vásárlásokra, amiről nincs számla. A garancia nem vonatkozik a szivacsokra, a tömítésekre és a filtrációs anyagokra.

GB

IT

FR

DE

NL

ES

PT

SK

CS

HU

SV

DA

PL

RU

GB

IT

FR

DE

NL

ES

PT

SK

CS

HU

SV

DA

PL

RU

MER FRIHET FÖR DITT HUSDJUR, STÖRRE SÄKERHET FÖR DIG!

Varning: Var god läs samtliga instruktioner noggrant innan du börjar installera katt- och hundluckan

Varning: Endast för användning med sällskapsdjur. Välj en modell som passar storleken på ditt sällskapsdjur. Produkten (inklusive låsläge) kommer ej att hindra oönskade djur eller personer (inklusive barn) att passera genom luckan. Ferplast ansvarar ej för olämplig användning och köparen av denna produkt tar fullt ansvar för den öppning den skapar. Ej tillgänglig för barn; denna produkt bör ej användas av personer med funktionsnedsättning. Håll smådelar borta från barn för att undvika kvävning. Får endast användas av barn som har lämplig ålder och omdöme. Se till att regelbundet och byt ut delar av om något är skadat, har försvunnit eller lossnat. Avfallshantera produkten i enlighet med gällande lagstiftning.

En alldeles egen dörr. Katt- och hundluckan SWING är till lika stor nytta för ditt husdjur som för dig. Du kan låta din katt eller hund fritt gå ut i och komma in från trädgården, en frihet som de annars inte skulle ha. Du kan ge dem en egen privat dörr så att de kan komma in och gå ut säkert. Med alla sina funktioner kan katt- och hundluckan SWING anpassas till både dina och ditt husdjurets krav. Du kan låta husdjuren komma in men inte gå ut igen. Du kan ordna så att luckan bara öppnas för just dina husdjur. Du kan också, med bara ett snabbt ögonkast, se om de är inomhus eller utomhus. Så här går det till.

FINESSER MED KATT- OCH HUNDLUCKAN SWING 4-vägs låssystem: Det är så praktiskt! (1)

Katt- och hundluckan SWING är utformad för att uppfylla alla dina och ditt husdjurets krav. Du kan därför lita på att vårt original 4-vägs låssystem gör att du kan styra och kontrollera hur husdjuret använder den. Du kan välja mellan följande alternativ: Enbart ingång / Enbart utgång / In- och utgång / Stängd.

Som ytterligare säkerhet har modellerna SWING 11 och SWING 15 dubbelt låssystem som styrs med bara ett vred, allt för enkelhetens skull.

Vindavvisarsystem (2)

Innovativt system som motverkar drag.

Stötdämparsystem

Stötdämpning vid maximal lucköppning (enbart på modellerna SWING 9, 11 och 15).

Indikator för senaste ingång/utgång: Du vet alltid var de är (3)

Den lilla SWING 5 och SWING 7 MAGNETIC med valbar ingång använder indikatorn för senaste ingång/utgång. Det är ett system som hjälper dig hålla reda på om husdjuret är inomhus eller utomhus. Det är en nyttig funktion ifall du måste gå ut och inte kan hitta husdjuret. Ett snabbt ögonkast räcker: "flaggan" (se bild) på katt- och hundluckans nedre del pekar i den riktning ditt husdjur senast passerade genom luckan.

Varning! Under svåra väderförhållanden (vind, etc.) kan fullständig tillförlitlighet hos detta system inte garanteras. Om ditt husdjur öppnar luckan utan att passera genom tunneln är indikatorn inte tillförlitlig.

Magnetsystemet: en alldeles egen nyckel (4)

Magnetluckan SWING 7 MAGNETIC är också utrustad med en magnetyckel, en enkel liten bricka som fästs på ditt husdjurets halsband. Magnetyckeln gör att ditt husdjur kan öppna luckan genom att helt enkelt komma i närheten av den. Denna anordning är särdeles nyttig eftersom den bara släpper in ditt husdjur så du inte riskerar objudna gäster i hemmet. **Varning!** Magnetsystemet

fungerar inte i närheten av metallföremål som kan hindra effektiv funktion hos mekanismen. Om den installeras i dubbelglasad dörrar som har en metallremsa mellan panelerna får den inte komma i kontakt med luckan såvida inte en separationsremsa av plast krävs. Magnetsystemet fungerar inte om luckan installeras i en metalldörr, t ex metalldörrar täckta med uPVC (ultraresistent polyvinylklorid), dörrar med metallpaneler eller säkerhetsdörrar. Dörren måste vara isolerad. (7a)

SÅ LÄR DU DITT HUSDJUR ATT ANVÄNDA SWING-LUCKAN. Att lära ditt husdjur att använda SWING-luckan är mycket lättare än du tror. Det är viktigt att inte ha överdrivna förväntningar på sitt husdjur utan

låta det lära sig i sin egen takt. Det enklaste sättet att få ditt husdjur att upptäcka luckan är att låta den stå helt öppen. Husdjur är nyfikna av naturen och kommer snabbt att frestas gå igenom den öppna luckan till friheten. Om det inte gör det - ditt husdjur kanske inte är äventyrligt lagt - kan du alltid ta till den säkra metoden med mutor, bildigt talat. Gör bara i ordning djurets favoritmat och håll det framför nosen, först på ena sidan lucköppningen, sedan på andra sidan. Din hund eller katt kommer inte att kunna motstå frestelsen.

Och sedan... öppna! När ditt husdjur vant sig vid att gå igenom den öppna luckan är det dags för nästa steg. Låt luckan vara stängd men inte låst: Ditt husdjur, som numera betraktar luckan som sin egen, kommer inte att tveka att puffa den öppen för att komma till andra sidan. Om djuret inte gör det direkt kan du ta till den gamla "matmutnings"-metoden. En sniffning och din hund eller katt kommer naturligtvis att försöka nå sitt mål. Det är en beprövad metod. Ibland kan en flytt vara ett lämpligt tillfälle att installera en katt- och hundlucka. Om du nyligen har flyttat, tänk på att ditt husdjur också behöver tid för att bekanta sig med de nya omgivningarna. Skynda inte på. Först när ditt husdjur känner sig helt hemmastadd kommer den att vilja utforska alla nya hemligheter och äventyr som t ex sin privata ingång. Vad gäller låset behöver du ha lite tålmod. Börja inte låsa luckan förrän husdjuret vant sig vid att komma in och gå ut genom den. Hundar och katter lär sig snart att luckan inte alltid är oläst men den förblir ett härligt sätt att komma och gå som de vill.

SÅ HÅR INSTALLERAR DU UTAN MISSTAG. Läs igenom dessa instruktioner noggrant så kommer du att upptäcka att katt- och hundluckan är enklare att installera än du tror. Du behöver följande verktyg: Blyertspenna, borr, mall (medföljer i förpackningen), sticksåg och skruvmejsel.

Trädörrar (5)

5a Mät avståndet från golvet till ditt husdjurets mage och placera mallen (sidan A) på dörren med mallens botten på samma höjd. Rita runt MALLENS omkrets på dörren med hjälp av pennan.

5b Borra fyra hål i det markerade områdets hörn.

5c Sägga med sticksågen längs omkretsen så att de fyra hålen förenas.

5d Jämn till kanterna med fil eller sandpapper. 12a/b/c/d

Det mesta av arbetet är utfört. Gå till paragrafen "Kapa tunneln".

Glasdörrar (6)

Varning! Att skära glas kan vara farligt. Rådgör med en glasmästare innan du påbörjar jobbet. Det är omöjligt att borra hål i hårdat säkerhetsglas eller dubbelglas såvida inte hålen borrats redan när panelerna tillverkades.

6a Mät avståndet från golvet till ditt husdjurs mage och placera mallen (sidan A) på dörren med mallens botten på samma höjd. Markera nedsidan med hjälp av en märkpenna. Markeringen ska användas som utgångspunkt för att centrera passarna i de punkter som finns markerade på mallen.

Följ därefter följande instruktioner:

- 6b borra ett runt hål med radie 108 mm om du har en SWING 5, 105 mm om det är en SWING 7 MAGNETIC (hålets mittpunkt är markerad på mallen). 13a
- 6c borra fyra runda hål i luckans fyra hörn om det är en SWING 9-11 eller 15. Skär sedan längs de fyra hälens tangenter så att det blir en öppning i glaset (hålets mittpunkter är markerade på mallen). 13b/c/d

Det mesta av arbetet är utfört. Gå till paragrafen **"Kapa tunneln"**.

Metalldörrar (7a)

Följ samma instruktioner som för trädörrar. Enda skillnaden är att SWING 7 Magnetic måste isoleras om den monteras i metalldörr för att nyckeln ska fungera. Den kan isoleras med något icke-metalliskt material (trä el. dyli) som måste ha en minsta tjocklek om 40 mm runt hela omkretsen. Detta motverkar störningar och ser till att den magnetiska mekanismen fungerar effektivt och korrekt. Det mesta av arbetet är utfört. Gå till paragrafen **"Kapa tunneln"**.

Väggar (7b)

Följ samma instruktioner som för trädörrar. (Jobben 5b, 5c och 5d ska utföras med hjälp av lämpliga verktyg). Den medföljande tunneln kan installeras i väggar som är mer än 55 mm tjocka. I så fall måste tunneln förlängas med cementbruk. Det mesta av arbetet är utfört.

Kapa tunneln (8)

OBS! Kapa inte tunneln på SWING 7 MAGNETIC eftersom den innehåller en ömtålig öppningsmekanism!

Kapa tunneln till önskad längd, det tar bara några minuter och följer alla ojämnheter.

- 8a Mät djupet "Y" på det stället (dörr eller vägg) där katt- och hundluckan ska installeras.
- 8b Rita en linje längs tunnelns yttertyta på avstånd "Y" plus 8 mm. Du kan använda sida B på mallen där de fyra vanligaste installationsstorlekarna (tabell 1) förtryckts. "N" visar den skära som ska användas för att rita linjen och "Y" visar tjockleken hos det material där katt- och hundluckan ska installeras. Placera mallen på tunneln och markera en linje vid skäran relativt önskad installationsstorlek.
- 8c Upprepa förfarandet och rita en linje på tunnelns övriga sidor.
- 8d Kapa tunneln med hjälp av en sticksåg, med början vid ett av

hörn och fortsätt längs hela omkretsen. Kapa inte närliggande eller parallella sidor samtidigt för att undvika att kapsnittet avviker från markeringen. **Varning!** Den medföljande tunneln passar för installation i dörrar eller väggar med från 0 till 55 mm tjocklek. Tunnelns utsida har en eller ett antal spår, beroende på modell, på ställen som passar för de vanligaste installationsstorlekarna. Syftet med spåren är att underlätta kapning av tunneln. Innan du skär längs något av dessa spår, se till att den tunnallengd du tänker kapa till stämmer med tjockleken hos din trä- eller glasdörr eller vägg.

8e 4-vägs låssystemet ska monteras på luckans insida. Placera luckan mot hålet och, med hjälp av en märkpenna, markera skruvhålens positioner.

8f Ta bort luckan och borra 4 hål med en 4,5 mm borrh.

Montera katt- och hundluckan (9)

9a Passa in luckan och fäst den med de medföljande skruvarna som kan behöva kapas och slipas för att jämna till vassa kanter. Fyra korta skruvar medföljer för att fästa på glas- och myggnätsdörrar, fyra långa skruvar för alla andra installationer med tjocklek upp till 55 mm. De fyra långa skruvarna måste kortas av vid installation i dörrar/väggar med mellantjocklek, alltså mellan en glasdörrs tjocklek och 55 mm. Exempelvis vid installation i en tjocklek om 45 mm ska skruvarna kortas med 10 mm, vid installation i tjocklek om 35 mm ska skruvarna kortas med 20 mm osv. Du kan också köpa fyra nya skruvar med rätt längd hos din lokala järnhandlare. För korta skruvar kan skada gångorna medan för långa skruvar kan bryta igenom katt- och hundluckans framsida.

9b För att avsluta jobbet , täck skruvhålen med de medföljande pluggarna. Se till att passa in dem så det blir slätt.

DIN SWING KATT- OCH HUNDLUCKA ÄR FÄRDIG ATT ANVÄNDAS!

Ett snabbtest av den magnetiska nyckeln (4)

Om du har köpt SWING 7 MAGNETIC vill vi uppmana dig att göra följande snabbtest för att vara säker på att den fungerar.

- 4a Från utsidan, se till att 4-vägs låssystemet är inställt på läget för "In- och utgång". Håll magnetbrickan framför dig, med namnet Ferplast nertill och pilen pekande mot luckan. Luckmekanismen ska utlösas när brickan är ungefär 10 cm från luckan.
- 4b Fäst magnetbrickan på halsbandet med pilen pekande mot

husdjurets huvud (4b). Häng ingenting annat än magnetbrickan på halsbandet för att undvika att öppningssystemets funktion störs. Se till att halsbandet varken sitter för hårt eller för löst (du ska kunna trä av halsbandet från husdjuret). Magnetbrickan placeras bäst så att dess nederdel är alldeles ovanför tunnelns botten när djuret närmar sig katt- och hundluckan (4c). Om magneten inte befinner sig inom ett avstånd mellan 0 och 4 cm från tunnelns botten kan djuret få svårt att utlösa öppningsmekanismen (4d-4e).

Manuellt läge (10)

Om du inte vill använda magnetsystemet kan katt- och hundluckan konverteras till att fungera manuellt. För att göra det, vrid den utskurna skruven på tunnelns nedre kant 180°, från läget "DX" (mekanism aktiv) till läget "SX" (mekanism inaktiv). **Viktigt !** Det här tillvägagångssättet är extremt användbart ifall ditt husdjur skulle tappa magnetbrickan.

Rengöring: effektivt, snabbt och enkelt

Denna katt- och hundlucka är tillverkad av plast av anmärkningsvärt hög kvalitet. Luckan är förstärkt och är utformad för att hålla länge. För att hålla den i gott skick räcker det att rengöra den emellanåt med en fuktig trasa.

Reservdelar (11)

Luckan är utformad så att alla trasiga delar kan bytas ut. I synnerhet kan den svängande luckan bytas ut genom att ta bort skruvarna i huvuddörrrens bakre del (11a). Om du monterar en utbyteslucka i någon av modellerna SWING 11 eller SWING 15 måste du se till att fjädrarna passas in på korrekt sätt i gångjärnen (11b).

Vår eftermarknadsservice

I det ovanliga fall något skulle gå sönder har vi glädjen att erbjuda vårt breda utbud av reservdelar till den katt- och hundlucka du köpt. Var god kontakta din lokala Ferplast-återförsäljare.

GARANTI. Denna produkt och alla dess delar och tillbehör täcks av garantin inom de begränsningar som anges i denna paragraf och gällande lagregleringar. Garantin gäller endast för tillverkningsfel och inkluderar gratis reparation och ersättning. Garantin gäller inte för skador och/eller defekter orsakade av försurmelse, slitage, användning som inte följer rekommendationerna och varningarna som anges i denna manual, olyckor, misskötsel, felaktig användning, olämpliga reparationer och försäljning utan kvitto. Svamparna, tätningarna och filteringsmaterialen är undantagna från garantin.

GB

IT

FR

DE

NL

ES

PT

SK

CS

HU

SV

DA

PL

RU

GB

IT

FR

DE

NL

ES

PT

SK

CS

HU

SV

DA

PL

RU

STØRRE FRIHED FOR DIT KÆLEDYR, STØRRE SIKKERHED FOR DIG!

Advarsel: Vær venlig at læse alle instrukserne nøje, inden katte- og hundelemmen installeres

Advarsel: Kun til brug af kæledyr. Vælg en model, der passer til størrelsen på dit kæledyr. Produktet (inklusive låsestilstanden) vil ikke forhindre uønskede dyr eller personer (herunder børn) i at passere igennem lemmen. Ferplast er ikke ansvarlig for utilsigtede anvendelser, og køberen af dette produkt tager det fulde ansvar for den åbning, som den skaber. Ikke tilgængelig for børn; dette produkt bør ikke bruges af personer med funktionsnedsættelser. Hold smådele væk for børn for at undgå fare for kvælning. Må kun benyttes af børn med en passende alder og dømmekraft. Tilse det regelmæssigt, og udskift dele, hvis de bliver beskadiget, mistet eller river sig løse. Bortskaf produktet korrekt i henhold til lovgivningen og forordningerne.

En dør helt for dem selv. SWING katte- og hundelemmen er lige så praktisk for dem, som den er for dig. Du kan lade din kat eller hund komme ind og ud fra haven, hvorved de får en frihed, de ellers ikke ville have. Du kan også bruge den til at give dem deres 'personlige' dør, så de sikkert kan komme ind og ud. Med alle disse funktioner vil SWING katte- og hundelemmen opfylde alle dine og dine kæledyrs behov. Du kan give dine kæledyr lov til at komme ind, men ikke gå ud. Du kan ordne det sådan, at katte- og hundelemmen kun åbner for dem. Du kan også se, med bare ét kig, om de er indenfor eller udenfor. Lad os se hvordan.

SWING KATTE- OG HUNDELEMMENS UNDERVÆRKER Låsesystem med 4 funktionsmåder: Det er bare så praktisk! (1)

SWING katte- og hundelemmen er blevet designet til at opfylde alle dine og dit kæledyrs behov. Lemmen er udstyret med et originalt og sikkert låsesystem med 4 funktionsmåder, så du kan kontrollere den måde, dit kæledyr bruger det på.

Du kan vælge mellem følgende: Kun indgang / Kun udgang / Indgang og udgang / Lukket. For ekstra sikkerhed bruger versionerne SWING 11 og SWING 15 et dobbeltlåsesystem, der meget let kontrolleres med en drejeknap.

Vindstopssystem (2)

Innovativt system, der forhindrer træk.

Støddæmpersystem

Støddæmper på tilbagelaget af lemmen ved maksimal åbning (kun på SWING 9, 11 og 15).

Indikator af sidste IND- eller UD-retning: Du ved altid, hvor de er (3)

I den lille SWING 5 og den lille SWING 7 MAGNETIC anvendes indikatorer for sidste IND- og UD-retning. Det er et system, der hjælper dig til at vide, om dit kæledyr er indenfor eller udenfor. Denne egenskab er praktisk, hvis du skal af sted, men du ikke kan finde dit kæledyr. Et hurtigt kig er nok: "Flaget" (se billedet) på den nederste del af katte- og hundelemmen vil pege i den sidste retning, dit kæledyr sidst gik igennem lemmen.

Advarsel: Under vanskelige vejrforhold (vind osv.) kan dette systems overordnede driftssikkerhed ikke garanteres. Hvis dit kæledyr skulle finde på at åbne lemmen uden faktisk at gå igennem tunnelen, vil indikatorerne ikke være pålidelig.

Det magnetiske system: Kæledyret helt egen nøgle (4)

Den magnetiske lem i SWING 7 MAGNETIC er udstyret med en magnetisk nøgle, som er en lille og praktisk strop, der fastgøres til dit kæledyrs Halsbånd. Den magnetiske nøgle giver dit kæledyr mulighed for at åbne lemmen ved bare at nærme sig den. Funktionen er særligt nyttig, fordi dit kæledyr kan komme ind i huset, uden at du risikerer at få uventede gæster i dit hjem.

Advarsel! Det magnetiske system fungerer ikke i nærheden af metalgenstande, som kan forstyrre funktionsdueligheden. Hvis det installeres i døre med dobbelt glas, hvor der er en metalliste imellem ruderne, må denne ikke være i kontakt med lemmen, medmindre der anvendes en separationsliste i plastik. Det magnetiske system fungerer ikke, hvis lemmen installeres i metaldøre, for eksempel metaldøre belagt med pVPC (ultraresistent polyvinylchlorid), døre med metalpaneler eller sikkerhedsdøre. Døren skal være isoleret (7a).

SÅDAN LÆRER DU DIT KÆLEDYR AT BRUGE SWING LEMMEN. Det er meget lettere at lære dit kæledyr at bruge SWING lemmen, end du tror. Det er vigtigt ikke at forvente sig for meget af dit kæledyr; det må lære det

i sit eget tempo. Den letteste måde, hvorpå dit kæledyr kan opdage det, er at lade kattelømmen stå helt åbent. Kæledyr er nysgerrige af natur og vil hurtigt forsøge at komme igennem den åbne lem og ud i friheden. Hvis det ikke er tilfældet – og dit kæledyr ikke er så eventyrløst – kan du altid bruge det idiotiske trick , nemlig at lokke det med noget mad. Bare sæt dets yndlingsmad foran dets næse, først på den ene side af katte- og hundelemmen og så på den anden side. Din kat eller hund vil ikke kunne modstå fristelsen.

Og nu ... skub! Når dit kæledyr er blevet vant til at gå igennem lemmen, er tiden inde til det næste trin. Lad katte- og hundelemmen være lukket, men ikke låst. Dit kæledyr, der nu opfatter lemmen som sin egen, vil ikke betænke sig to gang med at skubbe til den for at komme ind eller ud på den anden side. Og hvis det ikke sker lige med det samme, så gå tilbage til det gamle trick med at lokke den med noget mad. Et snif, og din hund eller kat vil naturligt forsøge at nå sit mål. Metoden er sikker. Ofte vil en flytning til et andet hus være en god grund til at installere en katte- og hundelem. Hvis du lige er flyttet ind, så husk, at dit kæledyr har brug lidt tid til at blive bekendt med sine nye omgivelser. Hav derfor ikke for travlt. Kun når dit kæledyr virkelig føler sig hjemme, vil det føle behov for at opdage alle hemmelighederne og de nye eventyr, heriblandt sin egen private dør. Med hensyn til låsen må du være lidt tålmodig. Begynd kun med at låse lemmen, når dit kæledyr er vant til at komme ind og ud af den. Katte og hunde vil hurtigt finde ud af, at døren ikke altid er åben, men det er stadigvæk en fin måde, de selv kan komme ind og ud på.

Sådan installerer man – uden fejl. Læs instrukserne nøje, og du vil finde ud af, at katte- og hundelemmen er nemmere at installere, end du tror. Følgende værktøjer er nødvendige: Blyant, boremaskine, skabelon (vedlagt i pakken), stiksav, skruetrækker.

Døre af træ (5)

5a Mål mavnens højde på dit kæledyr fra gulvet, og placér skabelonen (side A) på døren med den nederste kant i den samme højde. Afmærk SKABELONENS omkreds på døren med en tusch.

5b Bør 4 huller i hjørnerne af det afmærkede område.

5c Skær langs omkredsen ved hjælp af en stiksav for at forene de 4 huller.

5d Puds kanterne med en fil eller noget sandpapir. 12a/b/c/d

Så er det værste arbejde overstået. Gå til afsnittet "**Skæring af tunnelen**".

Glasdøre (6)

Advarsel! At skære i glas kan være farligt. Du skal rådføre dig med en glasforhandler, inden du starter på opgaven. Det er umuligt at bore huller i pansret sikkerhedsglas eller dobbeltglas, medmindre de allerede er blevet boret, da ruderne blev fremstillet.

- 6a Mål mavens højde på dit kæledyr fra gulvet, og placér skabelonen (side A) på døren med den nederste kant i den samme højde. Afmærk den nederste side med en tusch; du skal bruge den som grundlinje for at centrere kompasset på de punkter, der er afmærket i skabelonen.

Følg dernæst disse instrukser:

- 6b Bor et cirkelrundt hul med en radius på 108 mm, hvis din katte- og hundelem er SWING 5, på 105 mm hvis den er SWING 7 MAGNETIC (Hullets centrum er afmærket på skabelonen). 13a
- 6c Bor fire cirkelrunde huller i de fire hjørner af katte- og hundelemen, hvis den er SWING 9-11 eller 15. Skær så de 4 hullers tangenter for at få en åbning i glasset. (Hullets centrum er afmærket på skabelonen). 13b/c/d

Så er det værste arbejde overstået. Gå til afsnittet **"Skæring af tunnelen"**.

Metaldøre (7a)

Følg de samme instrukser som til trædøre. Den eneste forskel er, at SWING 7 MAGNETIC er nødt til at være isoleret i metaldøre, for at nøglen kan fungere. Den skal isoleres med et materiale, der ikke er af metal (træ eller lignende), og skal have en tykkelse på minimum 40 mm omkring hele omkredsen. Det forhindrer interferens og sikrer magnetmekanismens korrekte funktionsduelighed. Så er det værste arbejde overstået. Gå til afsnittet **"Skæring af tunnelen"**.

Vægge (7b)

Følg de samme instrukser som til trædøre. (Punkt 5b, 5c og 5d skal udføres med passende værktøjer). Den leverede tunnel kan godt installeres i vægge, der har en tykkelse på over 55 mm. I så fald skal tunnelen udvides med cementarbejde. Så er det værste arbejde overstået.

Skæring af tunnelen (8)

OBS! Skær ikke i tunnelen på SWING 7 MAGNETIC, fordi den indeholder den fintfølede mekanisme! Skær tunnelen i den nødvendige længde. Det tager kun nogle få minutter og vil skjule de ujævne kanter.

- 8a Mål dybden "Y" på installationsstedet (dør eller væg), hvorpå katte- og hundelemen skal installeres.
- 8b Afmærk en linje langs den udvendige overflade på tunnelen med en afstand "Y" plus 8 mm. Du kan bruge skabelonen (side B), der er blevet trykt med de 4 mest almindelige installationsstørrelser (Tab 1), hvor "N" indikerer den åbning, der skal bruges til at afmærke linjen, og "Y" indikerer tykkelsen af det installationssted, hvorpå katte- og hundelemen skal installeres. Sæt skabelonen på tunnelen, og afmærk en linje ved spalten i forhold til den nødvendige installationsstørrelse.
- 8c Gentag afmærkningen af en linje på de andre sider af tunnelen.
- 8d Skær tunnelen med en stiksva, idet der startes i et af hjørnerne

og fortsættes langs omkredsen. Skær ikke to sider ved siden af eller parallelt med hinanden på en gang, så undgår du at komme væk for referencepunkterne. **Advarsel!** Den leverede tunnel er beregnet til installation i 0 til 55 mm's tykkelse. Den udvendige overflade har en eller flere riller, afhængig af versionen, der er placeret for at matche de hyppigst anvendte installationsstørrelser. Formålet med dem er at gøre det lettere at skære tunnelen. Inden der skæres langs disse riller, skal man sørge for at størrelsen af tunnelen, du skal til at skære i, er forenelig med tykkelsen af træet, glasset eller væggen.

- 8e (Låsesystemet med 4 funktionsmådere skal monteres på den indvendige side af døren). Sæt lemmen i hullet, og afmærk med en tusch de steder, hvor skruerne skal sidde.
- 8f Fjern lemmen, og bor 4 huller med et 4,5 mm bor.

Monter katte- og hundelemen (9)

- 9a Monter lemmen, og fastgør den med de vedlagte skrue, som måske skal skæres til og files for at fjerne eventuelle skarpe kanter. 4 korte skrue er vedlagt til montering på glasdøre og fluenet, og de 4 lange skrue er til alle andre slags installationer i en tykkelse på op til 55 mm. De 4 lange skrue skal afkortes ved installationer i en mellemtykkelse (fx ved installationer i en tykkelse på 45 mm skal skrueerne afkortes med 10 mm; ved installationer i en tykkelse på 35 mm skal skrueerne afkortes med 20 mm osv.). Du kan også købe en nyt sæt skrue efter dine specifikationer på dit lokale byggecenter. For kort en skrue kan reducere gevindet, hvorimod en for lang skrue kan ødelægge frontpanelet på kæledyrsdøren.
- 9b Afslut arbejdet ved at dække skruehullerne med de vedlagte propper, idet du sørger for, at de sættes i deres leje.

DIN SWING KATTE- OG HUNDELEM ER NU KLAR TIL BRUG!

En hurtig test af den magnetiske nøgle (4)

Hvis du har købt modellen SWING 7 MAGNETIC, tilråder vi dig at udføre denne hurtige test for at være sikker på, at den fungerer.

- A Sikr udefra, at låsesystemet med de fire funktioner er i positionen "adgang og udgang". Hold den magnetiske nøgle foran dig, med navnet Ferplast nederst og pilen pegende mod lemmen. Katte- og hundelemens mekanisme bør udløse sig godt 10 cm fra lemmen.
- B Fastgør den magnetiske nøgle til halsbåndet med pilen i retning af dit

kæledyrs hoved (4b). Hæng ikke andet ud over den magnetiske nøgle på halsbåndet for at undgå interferens med åbningssystemet. Sørg for, at halsbåndet hverken er for stramt eller for løst (Du bør kunne trække halsbåndet af dit kæledyr). Den magnetiske nøgle bør ideelt hænge, så den nederste del bare er lige over den nederste kant af tunnelen, når katten nærmer sig katte- og hundelemen (4c). Hvis magneten ikke er i en afstand mellem 0-4 cm (0-1,5 tommer) fra den nederste kant af tunnelen, kan katten have vanskeligt ved at udløse åbningsmekanismen (4d-4e).

Manuel funktion (10)

Hvis du ikke ønsker at bruge det magnetiske system, kan katte- og hundelemen laves om til at fungere manuelt. For at kunne det skal du dreje spærreskruen, der sidder på kanten af tunnelen 180°, fra DX-positionen (mekanisme aktivert) til SX-positionen (mekanisme deaktiveret) som illustreret i **Vigtigt!** Denne fremgangsmåde er yderst nyttig, hvis dit kæledyr skulle tabe magneten.

Rengøring er effektiv, hurtig og let

Denne katte- og hundelem er lavet af plastik af meget høj kvalitet. Lemmen er forstærket og er blevet konstrueret til at kunne holde i lang tid. For at den bliver ved med at fungere, skal du bare rengøre den nu og da med en fugtig klud.

Reserve dele (11)

Lemmen er blevet designet således, at hver enkelt ødelagt del kan udskiftes. Den pivoterende lem udskiftes ved at tage skrueerne af den bagerste del af hoveddøren (11a). Når du udskifter med en reservelem i modellerne SWING 11 og 15, skal du sørge for, at fjedrene monteres korrekt på hængslerne (11b).

Vores eftersalgsservice

Vi er glade for at kunne tilbyde dig vores store sortiment af reserve dele til den katte- og hundelem, du har købt, i det sjældne tilfælde at noget går i stykker. Kontakt din lokale Ferplast-forhandler.

GARANTI. Dette produkt, alle dets dele og tilbehør dækkes af garantien inden for de begrænsninger, der angives i denne paragraf, og i henhold til gældende lovgivning. Garantien er kun gyldig ved fabriktionsfejl og omfatter gratis reparationer eller udskiftning. Garantien er ikke gyldig ved skader og/eller defekter forårsaget af forsømmelse, slid; brug, der ikke er i overensstemmelse med de anvisninger og advarsler, der er rapporteret i denne manual; ulykker; mishandling; misbrug; forkerte reparationer og salg, der ikke er ledsaget af en kvittering. Svampe, pakninger og filteringsmaterialer er ikke omfattet af garantien.

GB

IT

FR

DE

NL

ES

PT

SK

CS

HU

SV

DA

PL

RU

GB

IT

FR

DE

NL

ES

PT

SK

CS

HU

SV

DA

PL

RU

WIĘCEJ WOLNOŚCI DLA ZWIERZAKA, WIĘCEJ BEZPIECZEŃSTWA DLA CIEBIE!

Ostrzeżenie: Prosimy zapoznać się dokładnie z całą instrukcją przed instalacją drzwiczek

Ostrzeżenie: tylko dla zwierząt. Dobierz rozmiar drzwiczek odpowiedni do wielkości zwierzęcia. Ten produkt (włączając w to funkcję zamka) nie gwarantuje, że obce zwierzęta lub ludzie nie będą się mogły dostać do środka. Ferplast nie ponosi odpowiedzialności za takie niepożądane wejścia a nabywca tego produktu akceptuje pełną odpowiedzialność za stworzony otwór. Trzymaj z dala od dzieci; produkt nie powinien być stosowany przez osoby w jakikolwiek sposób upośledzone. Trzymaj małe elementy z dala od dzieci, aby uniknąć ryzyka zadławienia. Do użytku przez osoby w odpowiednim wieku i zaufane. Zużyte elementy lub cały produkt utylizować zgodnie z lokalnymi przepisami. Drzwi wielu możliwości. Drzwiczki SWING są przydatne dla Ciebie tak samo jak dla twojego zwierzaka. Mogą służyć kotu lub psu jako do wychodzenia na ogród, dając im wolność, której inaczej by nie miały. Mogą one też być ich „osobistymi” drzwiami do domu, dzięki którym mogą bezpiecznie wchodzić i wychodzić. Dzięki swoim funkcjonalnościom drzwiczki SWING spełniają wszelkie wymagania: możesz pozwolić swojemu zwierzakowi na powrót do domu, ale uniemożliwić powtórne wyjście. Drzwiczki mogą otwierać się tylko dla twojego zwierzaka. Możesz szybko ustalić, czy Twój pupil jest w domu, czy poza nim. Zobaczmy jak.

WSPANIAŁE MOŻLIWOŚCI DRZWICZEK SWING

4 możliwości ustawienia blokady: to jest wygodne! (1)

Drzwiczki SWING zostały zaprojektowane, aby spełnić wszystkie wymagania użytkownika. Dlatego masz do dyspozycji aż 4 ustawienia blokady, pozwalające kontrolować sposób korzystania z drzwiczek przez

Twojego pupila: Tylko wejście / Tylko wyjście / Wejście i wyjście / Zamknięte.

Dla większego bezpieczeństwa drzwiczki SWING 11 i SWING 15 posiadają system podwójnego ryglowania, ustawiany jednym pokrętem, wszystko dla prostoty.

Windstopper system (2)

Innowacyjny system zapobiegający powstawaniu przeciągu

Antishocking system

Specjalny odbojnik amortyzujący pełne otwarcie klapki (tylko SWING 9, 11, 15)

Wskaźnik ostatniego przejścia IN or OUT: wiesz, gdzie jest Twój zwierzak (3)

Drzwiczki SWING 5 oraz SWING 7 MAGNETIC posiadają wskaźnik ostatniego przejścia IN / OUT. Pozwala on stwierdzić, w którą stronę ostatnio otwierały się drzwiczki i gdzie jest Twój kot. System doskonale się sprawdza, gdy np.: musisz wyjść, a nie możesz znaleźć swojego zwierzaka. Rzut oka na wskaźnik pozwala ocenić, gdzie jest kot (patrz rysunek): wszedł do domu (IN) czy wychodził na zewnątrz (OUT).

Ostrzeżenie! W wypadku bardzo niekorzystnej pogody (silny wiatr, etc.) wskazania mogą nie być prawidłowe. Jeśli kot otworzy klapkę, ale nie przejdzie przez drzwiczki, wskazania wskaźnika również będą nieprawidłowe.

System magnetyczny: własny klucz dla każdego (5)

Drzwiczki SWING 7 MAGNETIC są wyposażone w klucz magnetyczny, który jest niewielkim urządzeniem przyczepianym do obroży. Drzwiczki odblokowują się w momencie zbliżenia się zwierzaka z kluczem na obroży. System ten jest niezwykle przydatny, gdyż umożliwia wejście do domu tylko Twojego zwierzaka. Nie ryzykujemy więc spotkania z nieproszonym gościem.

Ostrzeżenie! System magnetyczny może działać nieprawidłowo w pobliżu obiektów metalowych, które mogą zakłócać jego pracę. Jeśli drzwiczki instalowane są w drzwiach wielowarstwowych z wewnętrzną warstwą blachy, nie mogą mieć z nią kontaktu lub muszą zostać całkowicie odizolowane od metalu. System nie działa, jeśli drzwiczki są zamontowane w drzwiach metalowych, np. metalowych drzwiach pokrytych uPVC (Ultra Resistant Polyvinyl Chloride), drzwiach technicznych lub bezpiecznych. Drzwi należy zaizolować (7a).

JAK NAUCZYĆ TWOJEGO ZWIERZAKA KORZYSTANIA Z DRZWICZEK SWING. Nauczenie twojego pupila korzystania z drzwiczek SWING jest łatwiejsze niż można sądzić. Ważne jest, aby nie wymagać za

dużo na raz od pupila, tylko dać mu czas na nauczenie się jak korzystać z drzwiczek. Najłatwiejszą drogą nauczania zwierzęcia zwierzania ze SWING to zostawić je kompletnie otwarte. Zwierzęta są z natury ciekawskie i szybko skuszą się, żeby przejść przez otwarte drzwiczki ku wolności. Jeśli wasz pupil nie okaże zainteresowania, to najlepszym sposobem będzie postawienie jego ulubionego dania tuż przed nosem najpierw po jego stronie drzwiczek, a następnie po drugiej – tak, aby musiał przez nie przejść. Z pewnością nie będzie się mógł oprzeć takiej pokusie.

A teraz... pchnij! Kiedy kot przyzwyczai się do przechodzenia przez otwarte drzwiczki, można przejść do następnego etapu, jakim jest nauczenie otwierania opuszczonej klapki w drzwiczkach SWING. Trzeba opuścić klapkę w SWING tak, aby zastyłała przejście, ale nie była zamknięta. Państwa pupil będzie musiał sam sprawdzić czy pomimo zamkniętych drzwiczek można przejść. Jeśli nie wypadnie na to, że wystarczy ją popchnąć, należy przejść do wypróbowanej metody ze smakołykami. Przeprowadzka do nowego domu jest często okazją do instalowania drzwiczek. Jeśli niedawno się przeprowadziłeś, proszę pamiętać, że zwierzak potrzebuje trochę czasu, aby przywyknąć do nowego otoczenia. Dlatego nie należy go pospieszać: kiedy poczucie się w nowym miejscu doskonale, z pewnością będzie chciał odkryć wszystkie sekrety nowego miejsca, w tym jego nowe, prywatne drzwi do domu. Jeśli chodzi o blokowanie drzwiczek – potrzeba trochę więcej cierpliwości. Drzwiczki można zacząć blokować dopiero wtedy, gdy zwierzak przyzwyczaił się do wchodzenia i wychodzenia przez drzwiczki. Koty i psy szybko uczą się, że mimo zamkniętych drzwi, ich „prywatne” wejście jest zawsze do ich dyspozycji.

JAK ZAINSTALOWAĆ DRZWI PRAWIDŁOWO. Prosimy przeczytać uważnie poniższe instrukcje. Montaż drzwiczek okaże się prostszy, niż może się wydawać. Potrzebne będą: szablon (w pudełku), ołówek, wiertarka, piła do drewna, śrubokręt.

Drzwi drewniane (5)

5a Zmierz odległość pomiędzy brzuchem kota a podłogą, a następnie umieść szablon (stroną A) na drzwiach na tej samej wysokości. Zaznacz obwód SZABLONU na drzwiach używając ołówka lub markera

5b Wywierć 4 otwory w narożnikach zaznaczonego pola

5c Tnij wzdłuż nakreślonych linii tak, aby połączyć 4 otwory

5d Krawędzie wygładź pilnikiem lub papierem ściernym. 12a/b/c/d

Większość pracy jest za Tobą. Przejdź do paragrafu „Przycinanie tunelu”.

Drzwi szklane (6)

Ostrzeżenie! Cięcie szkła może być niebezpieczne. Przed przystąpieniem do prac, należy skonsultować się ze sprzedawcą drzwi lub szklarzem.

Otworów nie można wiercić w szkle hartowanym ani w zespolonym dwuszybowym, o ile otwory nie zostały nawiercone już podczas produkcji.

6a Zmierz odległość pomiędzy brzuchem kota a podłogą, a następnie umieść szablon (stroną A) na drzwiach na tej samej wysokości. Zaznacz dolną krawędź markerem, użyjesz jej jako podstawy do późniejszego ustawienia wskaźników na szablonie.

Następnie postępuj zgodnie z poniższymi wskazówkami:

6b wywierć okrągły otwór o średnicy 108 mm jeśli masz drzwiczki SWING 5, o średnicy 105 mm jeśli masz drzwiczki SWING 7 MAGNETIC (środek otworu jest zaznaczony na szablonie). 13a

6c wywierć cztery otwory w czterech narożnikach, jeśli masz drzwiczki SWING 9-11 lub 15. Następnie przetnij szkło łącząc otwory wzdłuż obwodu, aby uzyskać odpowiedni kształt (środky otworów są zaznaczone na szablonie). 13b/c/d

Większość pracy jest za Tobą. Przejdź do paragrafu „Przycinanie tunelu”.

Drzwi metalowe (7a)

Postępuj zgodnie z instrukcjami dla drzwi drewnianych. Jedyna różnica tkwi w fakcie, że system elektroniczny nie działa prawidłowo w drzwiach z metalu. Drzwiczki SWING muszą zostać odizolowane za pomocą materiału niemetalowego (drewna lub podobnego), którego grubość musi wynosić min 40 mm wokół całego obwodu. Zapobiegnie to ewentualnym interferencjom i zapewni prawidłowe działanie mechanizmu. Większość pracy jest za Tobą. Przejdź do paragrafu „Przycinanie tunelu”.

Ściany (7b)

Postępuj zgodnie z instrukcjami dla drzwi drewnianych. (czynności 5b, 5c and 5d muszą być wykonane odpowiednio do tego narzędziami). Tunel drzwiczek może być montowany również w ścianach o grubości większej niż 55 mm. W takim wypadku należy wewnątrz wyciętego otworu wykończyć zaprawą. Większość pracy jest za Tobą.

Przycinanie tunelu (8)

UWAGA: Nie docinaj tunelny drzwiczek SWING 7 MAGNETIC, ponieważ mieści się w nim delikatny mechanizm!

Dotnij tunel do wymaganej długości, pozwoli to ukryć wszystkie nierówne krawędzie.

8a Zmierz grubość “Y” drzwi lub ściany, w których montujesz drzwiczki SWING.

8b Naruszyj linię na zewnętrznej ścianie tunelu w odległości “Y” plus 8 mm. Możesz użyć szablonu (strona B), na którym oznaczono 4 najczęściej spotykane wymiarowania (Tab 1), gdzie “N” oznacza

miejsce nacięcia, a “Y” oznacza grubość drzwi lub ściany, w których zamontujesz drzwiczki. Umieść szablon na tunelu i zaznacz linię nacięcia odpowiednią do wymaganej grubości.

8c Oznacz pozostałe ścianki tunelu w ten sam sposób.

8d Dotnij tunel piłą, zaczynając cięcie od jednego z narożników i kontynuuj wzdłuż obwodu. Nie tnij równocześnie dwóch stychnych ani równoległych ścianek tunelu. **Ostrzeżenie!** Tunel jest dostosowany do instalacji w materiale nie grubszym niż 55 mm. Powierzchnia zewnętrzna posiada (zależnie od wersji) jeden lub kilka rowków, oznaczających najczęściej spotykane grubości drzwi. Ich zadaniem jest ułatwienie cięcia. Przed cięciem upewnij się, że miejsce, w którym chcesz ciąć jest zgodne z grubością drzwi, szyby lub ściany, w której montowane będą drzwiczki.

8e Pokręto sterując blokadą należy zamontować po wewnętrznej stronie drzwi. Przyłóż drzwiczki w odpowiednim miejscu na otwórze i zaznacz miejsca, gdzie powinny zostać wkręcone śruby.

8f Odłóż drzwiczki i wywierć 4 otwory wiertłem 4,5 mm.

Dopasowanie drzwiczek (9)

9a Dopasuj drzwiczki i przykręć śrubami z zestawu (śruby można dociąć, pamiętając jednak o wygładzeniu ich końcówek). 4 krótkie śruby przeznaczone są do montażu w drzwiach szklanych lub moskietiarach, 4 długie śruby przeznaczone są do pozostałych typów drzwi o grubości do 55 mm. W przypadku mniejszej grubości drzwi długie śruby należy skrócić zgodnie z zasadą: drzwi o grubości 45 mm – śruby skracamy o 10 mm i analogicznie drzwi o grubości 35 mm – śruby skracamy o 20 mm. Jeżeli trzeba, można dokupić w sklepie z artykułami metalowymi nowy zestaw odpowiednich śrub dla posiadanych drzwi (nietypową grubość). Zbyt duże skrócenie śruby spowoduje wylupanie gwintu w części frontowej SWING natomiast zbyt długie śruby złamią panel frontowy SWING.

9b Aby skończyć montaż, przykryj śruby zaślepkami.

Szybki test klucza magnetycznego (4)

Jeśli zakupiłeś drzwiczki the SWING 7 MAGNETIC, zalecamy ten szybki test potwierdzający ich prawidłowe działanie. model we advise you to carry out this quick test to make sure it works.

4a Upewnij się, że przełącznik sterowania systemem blokady jest w pozycji “wejście i wyjście”. Zbliż się do zewnętrznej strony, trzymaj klucz magnetyczny przed sobą z logiem Ferplast skierowanym w dół i strzałką skierowaną do przodu w kierunku drzwi. Mechanizm

powinien się odblokować w odległości ok. 10cm.

4b Załóż klucz magnetyczny tak, aby strzałka skierowana była w kierunku głowy zwierzęcia (4b). Nie doczepiaj żadnych innych elementów na obroży, gdyż mogą one zakłócić pracę mechanizmu. Upewnij się, że obroża nie jest ani zbyt ciasna ani zbyt luźna (obroża powinno dać się ściągnąć z głowy). Klucz magnetyczny powinien luźno wisieć tak, aby znajdować się idealnie nad krawędzią tunelu, kiedy kot przechodzi przez drzwi (4c). Jeśli odległość pomiędzy kluczem magnetycznym a krawędzią tunelu nie mieści się w 0-4 cm, kot może mieć trudności z odblokowaniem mechanizmu (4d-4e).

Tryb manualny (10)

Jeśli nie chcesz korzystać z systemu magnetycznego, drzwiczki mogą pracować w trybie manualnym. Aby to zrobić pokręć śróbę znajdującą się w dolnej części tunelu o 180°, z pozycji DX (mechanizm włączony)

do pozycji SX (mechanizm wyłączony) jak na ilustracji. **Ważne!** Ta procedura jest bardzo użyteczna, gdy kot zgubi klucz.

Czyszczenie: łatwo i szybko

Drzwiczki wykonane z wysokiej jakości plastiku, a klapka jest wzmocniona. Aby drzwiczki sprawowały się bez zarzutu wystarczy przecierać je okresowo miękką ściereczką.

Części zamienne (11)

Drzwiczki są zaprojektowane tak, aby była możliwa wymiana wszystkich głównych elementów. W szczególności możliwa jest wymiana klapki, poprzez odkręcenie śrób w tylnej części drzwiczek (11a). Wymieniając klapkę w drzwiczkach SWING 11 and 15 upewnij się, czy sprężyny weszły prawidłowo w zawiasy (11b).

Serwis posprzedaży. W przypadku uszkodzenia drzwiczek, pomocne mogą się okazać części zamienne, które można zamówić u lokalnego sprzedawcy produktów Ferplast.

GWARANCJA. Niniejszy produkt i wszystkie jego części i akcesoria są objęte gwarancją w granicach określonych w niniejszym ustępie oraz aktualnie obowiązującymi przepisami prawnymi. Gwarancja obejmuje wyłącznie wady powstałe w procesie produkcji i obejmuje bezpłatną naprawę lub wymianę. Gwarancja nie obejmuje uszkodzeń powstałych w wyniku: niedbałości bądź nieuwagi użytkownika, użytkowania niezgodnie z przeznaczeniem lub niezgodnie z uwagami zamieszczonymi w niniejszej instrukcji, wypadku, manipulowania przy urządzeniu oraz nieprawidłowej naprawy. Gwarancja nie obejmuje gąbek, uszczeltek, wkładów filtracyjnych. Gwarancja jest ważna wyłącznie z dołączonym rachunkiem sprzedażowy.

GB

IT

FR

DE

NL

ES

PT

SK

CS

HU

SV

DA

PL

RU

БОЛЬШЕ СВОБОДЫ ДЛЯ ВАШЕГО ПИТОМЦА, БОЛЬШЕ СВОБОДЫ ДЛЯ ВАС!

Предупреждение: Пожалуйста, внимательно прочитайте все инструкции перед установкой дверки

Предупреждение: продукт предназначен только для животных. Подбирайте модель в соответствии с размерами вашего питомца. Данный продукт (даже при наличии режима блокировки) не сможет предотвратить нежелательное проникновение других животных или людей (включая детей). Ferplast не несет ответственность за такое использование продукта, полную ответственность за это принимает на себя покупатель. Не допускайте детей и лиц с различной степенью инвалидности к использованию данного продукта. Храните мелкие детали вне досягаемости детей во избежание попадания в дыхательные пути. Товар подлежит использованию лицами соответствующего возраста и обладающего необходимыми навыками. Регулярно проверяйте и заменяйте поврежденные, утраченные или отломанные детали. Утилизируйте продукт в соответствии с установленными законами и правилами.

Персональный вход. Дверки для домашних питомцев SWING удобны как для животных, так и для вас. Используя их, вы позволите своей кошке или собаке выходить в сад и возвращаться в дом, предоставляя им свободу или, наоборот, запретите входить или выходить. Также вы сможете использовать дверку как «персональную» для ваших питомцев, что позволит им безопасно перемещаться. Используя все функции дверки SWING вы сможете удовлетворить все желания как ваши, так и ваших животных, например, позволите им вернуться, но не дадите выйти снова. Также вы сможете запрограммировать свою дверцу так, чтобы ей могли пользоваться только ваши питомцы. Только взглянув на нее, вы сможете увидеть - дома ваш питомец или нет. Давайте посмотрим как.

ЧУДЕСА, ДОСТУПНЫЕ ДВЕРКАМ SWING**4 варианта запирающей системы: это так удобно! (1)**

Дверки SWING были разработаны с целью удовлетворения всех ваших потребностей, а также потребностей ваших питомцев. Поэтому вы можете довериться запирающей системе с 4-мя вариантами программи-

рования, которые позволят вам контролировать перемещения вашего животного.

Вы можете выбрать один из следующих вариантов: только вход; только выход; вход и выход; закрыто.

Для дополнительной безопасности SWING 11 and SWING 15 используют двойную систему запирания, которая управляется всего одной ручкой - все ради простоты.

Система защиты от сквозняков (2)

Инновационная система для предотвращения сквозняков.

Antishocking system

Противоударная система при полностью открытой двери (только для SWING моделей 9, 11, 15).

Индикатор последнего входа или выхода: Вы всегда знаете где они (3)

Дверки SWING 5, SWING 7 MAGNETIC с опцией выбора режима передвижения имеют индикатор «ВНУТРИ» и «СНАРУЖИ». Эта система поможет Вам узнать, находится ли ваш питомец дома или на улице. Эта опция пригодится, если вам нужно уйти, а вы не знаете, где ваше животное. Одного взгляда достаточно: «флажок» (см. рисунок) в нижней части дверцы будет в том направлении, в котором животное прошло в последний раз.

Предупреждение! При суровых погодных условиях (ветер и т.п.) достоверность этой опции не может быть гарантирована. Также если Ваше животное открыло дверцу и не прошло через туннель, показания индикатора также не будут достоверными.

Магнитная система: персональный ключ (4)

Дверка SWING 7 MAGNETIC также оборудована магнитным ключом в виде маленькой пражки, надевающейся на ошейник вашего животного. Магнитный ключ позволяет Вашему питомцу открывать дверку просто приближаясь к ней. Данное устройство особенно удобно, т.к. позволяет заходить в дом только вашему питомцу, поэтому вы не рискуете встретить у себя дома нежелательных гостей.

Предупреждение! Магнитная система не работает рядом с металлическими предметами, которые могут влиять на надежность и точность механизма. При установке дверки в дверь из двойного стекла, имеющую металлическую планку между стеклами, она не должна контактировать с дверцей, если только не имеется разделительная пластиковая планка. Магнитная система не работает при установке дверцы в металлическую дверь, например,

в металлические двери, покрытые ПВХ, двери с металлическими панелями или бронированные двери. Дверь должна быть изолирована (7а).

КАК НАУЧИТЬ ВАШЕГО ПИТОМЦА ПОЛЬЗОВАТЬСЯ ДВЕРКАМИ SWING. Научить ваше животное пользоваться дверками SWING намного легче, чем вы думаете. Важно не ожидать сразу слишком многого от вашего питомца, а дать ему необходимое время на обучение. Самый простой путь для вашего питомца познакомиться с дверкой - оставить ее полностью открытой. Животные любознательны от природы, поэтому для них будет очень заманчиво попасть на свободу через открытую дверку. Если это не ваш случай, и ваше животное не любит приключений, вы можете воспользоваться проверенным методом - образно выражаясь, шантажом. Просто приготовьте его любимую еду и положите перед его носом, сначала с одной стороны дверцы, а затем с другой. Ваша кошка или собака просто не смогут устоять перед соблазном.

А теперь... толкай! Когда Ваш питомец научится проходить сквозь дверцу, самое время перейти к следующему шагу. Оставьте дверцу закрытой, но не запортой: ваше животное, которое уже считает дверцу своей собственной, не будет дважды думать прежде чем толкнуть дверцу и очутиться на другой стороне. И если этого не случится с первого раза, возвратимся к старому методу «шантажа» едой. Один только запах - и ваша собака или кошка, естественно, будет пытаться достичь своей цели. Это проверенный метод. Часто переезд в новый дом обуславливает другой путь приучения к дверке. Если вы только что переехали, помните, что вашему питомцу также нужно время, чтобы освоиться в новой обстановке. Поэтому не торопитесь: только когда животное почувствует себя уверенно дома, и почувствует стремление к приключениям и к исследованию всех тайн, среди них окажется и его собственная дверка. Что касается запирания дверцы, то вам понадобится немного терпения: начинайте запирать ее только после того, как ваше животное научится уверенно входить и выходить через нее. Собаки и кошки быстро поймут, что дверца не всегда открыта, но несмотря на это она остается их собственной чудесной возможностью попадать домой и выходить из него.

Как установить: без ошибок. Прочтите эти инструкции внимательно и вы увидите, что установить дверку проще, чем вы думаете. Вам понадобятся следующие предметы: карандаш, дрель, шаблон (вложенный в коробку), лобзик и отвертка.

Деревянные двери (5)

5а Измерьте расстояние от пола до живота вашего животного и расположите шаблон (сторона А) на двери на такой же высоте. Обведите карандашом на двери по периметру шаблона.

5б Просверлите 4 отверстия по углам отмеченной зоны.

5с Выпилите вдоль по периметру, используя лобзик и соединив 4 отверстия.

5д Зашкурите края отверстия, используя напильник или наждачную бумагу. 12а/1b/c/d

Основная работа сделана. Переходим к разделу «Обрезка туннеля».

СтеклЯные двери (8)

Внимание! Резка стекла может быть опасна. Вы должны проконсультироваться у специалиста перед тем как начинать работу. Невозможно просверлить отверстия в закаленном стекле или стеклопакетах, за исключением случаев, когда это было сделано в процессе их изготовления.

- 8a Измерьте расстояние от пола до живота вашего животного и расположите шаблон (сторона А) на двери на такой же высоте. Отметьте карандашом по шаблону нижнюю часть, которую вы будете использовать как ориентир для определения центра окружности по точкам, отмеченным на шаблоне. Затем следуйте инструкциям:
- 8b просверлите круглое отверстие радиусом 108 мм, если вы устанавливаете SWING 5, или 105 мм при установке SWING 7 MAGNETIC (центр отверстия отмечен на шаблоне); 13a
- 8c просверлите четыре круглых отверстия в четырех углах двери, если вы устанавливаете SWING 9-11 или 15. Затем соедините их в одно отверстие, вылипив по касательным. (центры отверстий помечены на шаблоне). 13b/c/d

Основная работа сделана. Переходим к разделу «Обрезка туннеля». **Металлические двери (7а)**

Следуйте тем же инструкциям как и для деревянных дверей. Разница будет только в том, что дверка SWING 7 MAGNETIC должна быть изолирована для того, чтобы магнитный ключ мог работать. Для изоляции используется неметаллический материал (дерево или сходный), который должен иметь минимальную толщину 40 мм по всему периметру. Это предотвратит какие-либо помехи и нарушения в правильной работе магнитного механизма. Основная работа сделана.

Стены (7b)

Следуйте тем же инструкциям как и для деревянных дверей. (Работы 5b, 5c и 5d выполняются соответствующими инструментами). Поставляемый туннель может быть смонтирован в стены шириной более 55 мм. В этом случае края стены были заштукатурены. Основная работа сделана. Переходим к разделу «Монтаж дверки».

ПОСЛЕДНИЕ ПРИКОСНОВЕНИЯ И ... НАКОНЕЦ СВОБОДА!

Обрезка туннеля (8)

ОБРАТИТЕ ВНИМАНИЕ: не разрезайте туннель для дверок SWING 7 MAGNETIC, т.к. внутри него находится хрупкий механизм!

Отрежьте туннель необходимой длины, это займет всего несколько минут и спрячет все неровные края.

- 8a Измерьте глубину «У» опоры (двери или стены), в которую вы устанавливаете дверку.
- 8b Проведите линию на внешней поверхности туннеля на расстоянии «У» плюс 8 мм. Вы можете использовать шаблон (сторона В), на котором напечатаны 4 наиболее часто используемых

размера для установки (Таб. 1), где «N» обозначает прорезь для проведения линии разреза, а «У» обозначает толщину опоры, в которую монтируется дверка. Расположите шаблон на туннеле и проведите линию, используя прорезь, соответствующую нужному размеру.

- 8c Проведите такие же линии на других сторонах туннеля.
- 8d Отрежьте туннель, используя лобзик, начиная от одного угла и продолжая вдоль по периметру. Не режьте одновременно две соседние или противоположные стороны, чтобы избежать отклонения от намеченной линии.

Внимание! Туннель предназначен для установки в опору толщиной от 0 до 55 мм. Его внешняя поверхность имеет один или несколько желобков (в зависимости от модели), расположенных в местах, соответствующих наиболее распространенным размерам опор. Их назначение – сделать обрезку туннеля более легкой. Перед обрезкой с использованием этих желобков, проверьте, что длина туннеля соответствует толщине вашей деревянной, стальной опоры или стены.

- 8e Панель с запирающей 4x -вариантной системой устанавливается с внутренней стороны двери. Поместите дверку в отверстие и используя маркер, отметьте точки под шурупы.
- 8f Уберите дверку и просверлите 4 отверстия , используя дрель со сверлом диаметром 4,5 мм.

Монтаж дверки (9)

- 1 Установите дверку и укрепите ее с помощью поставляемых шурупов, которые можно обрезать и зашлифовать острые края. 4 коротких шурупа поставляются для установки в стеклянные двери или москитные экраны и 4 длинных шурупа - для всех других вариантов установки в опоры толщиной до 55 мм. 4 длинных шурупа могут быть укорочены при установке в более тонкие опоры (т.е. для установки в опору толщиной 45 мм укоротите шурупы на 10мм, для монтажа в опору 35 мм укоротите на 20 мм и т.д.). Вместо этого вы можете приобрести шурупы необходимого размера в ближайшем строительном магазине. Слишком короткие шурупы могут ободать панель, а слишком длинные – сломать переднюю панель дверки.
- 2 По окончании работы закройте отверстия для шурупов, используя поставляемые заглушки соответствующего размера.

Быстрый тест для магнитного ключа (4)

Если Вы приобрели модель SWING 7 MAGNETIC мы советуем Вам провести этот быстрый тест, чтобы быть уверенным, что она работает.

- A Убедитесь, что запирающая система установлена в позиции «вход

и выход». Держите магнитный ключ перед собой так, чтобы надпись «Ferplast» была внизу, а стрелка направлена вперед к дверце. Механизм должен срабатывать с расстояния 10 см от дверки.

- B Укрепите магнитный ключ на ошейнике стрелкой по направлению к голове вашего животного (4b). Не вешайте на ошейник ничего, кроме магнитного ключа, чтобы избежать помех с открыванием дверки. Убедитесь, что ошейник затянут не слишком сильно и не слишком слабо (вы должны иметь возможность стянуть ошейник с животного). В идеале магнитный ключ должен быть одет так, чтобы при приближении кошки к дверце находилась снизу прямо над нижним краем туннеля (4c). Если магнит будет находиться от нижнего края туннеля на расстоянии более 4 см по высоте, кошка может испытывать трудности с открыванием механизма (4d-4e).

Управление вручную (10)

Если вы не хотите использовать магнитную систему, дверка может быть переделана для работы вручную. Чтобы это сделать, поверните рычажок на нижнем крае туннеля на 180 градусов, из позиции DV (механизм работает) в положение SX (механизм не работает) как показано на рисунке. **Важно!** Эта процедура чрезвычайно удобно в случае, если ваше животное потеряет магнит.

Чистка

эффективно, быстро и просто. Эта дверца сделана из немаркого высококачественного пластика. Она имеет повышенную прочность и была разработана для длительного использования. Чтобы поддерживать ее в рабочем состоянии просто протирайте ее время от времени влажной тряпкой.

Запасные части (11)

Дверца спроектирована таким образом, чтобы все части, которые могут сломаться, могли быть заменены. В частности сама откидная дверка может быть заменена путем вывинчивания шурупов из задней части в основной двери (11a). При замене запасной дверки в моделях SWING 11 и 15 убедитесь, что пружины правильно установлены в петлях (11b).

Послепродажное обслуживание

В редком случае непредвиденной поломки, мы рады предложить вам наш широкий ассортимент запасных частей для приобретенной вами двери. Пожалуйста, свяжитесь с вашим местным дилером Ferplast. **ГАРАНТИЯ.** На этот продукт и все его части и аксессуары распространяется гарантия в пределах, предусмотренных настоящим пунктом и действующими правовыми нормами. Гарантия распространяется только на производственный брак и предполагает их бесплатный ремонт или замену. Гарантия не распространяется на поломки или повреждения, вызванные халатностью, использованием, не предусмотренным инструкциями, изложенными в данном руководстве, несчастными случаями, изменениями, неправильным использованием, неправильным ремонтом и при отсутствии ввинчивания. Гарантия не распространяется на губки, уплотнительный блок и фильтрационные вещества.

GB

IT

FR

DE

NL

ES

PT

SK

CS

HU

SV

DA

PL

RU





<https://tm.by>
Интернет-магазин



www.ferplast.com - info@ferplast.com