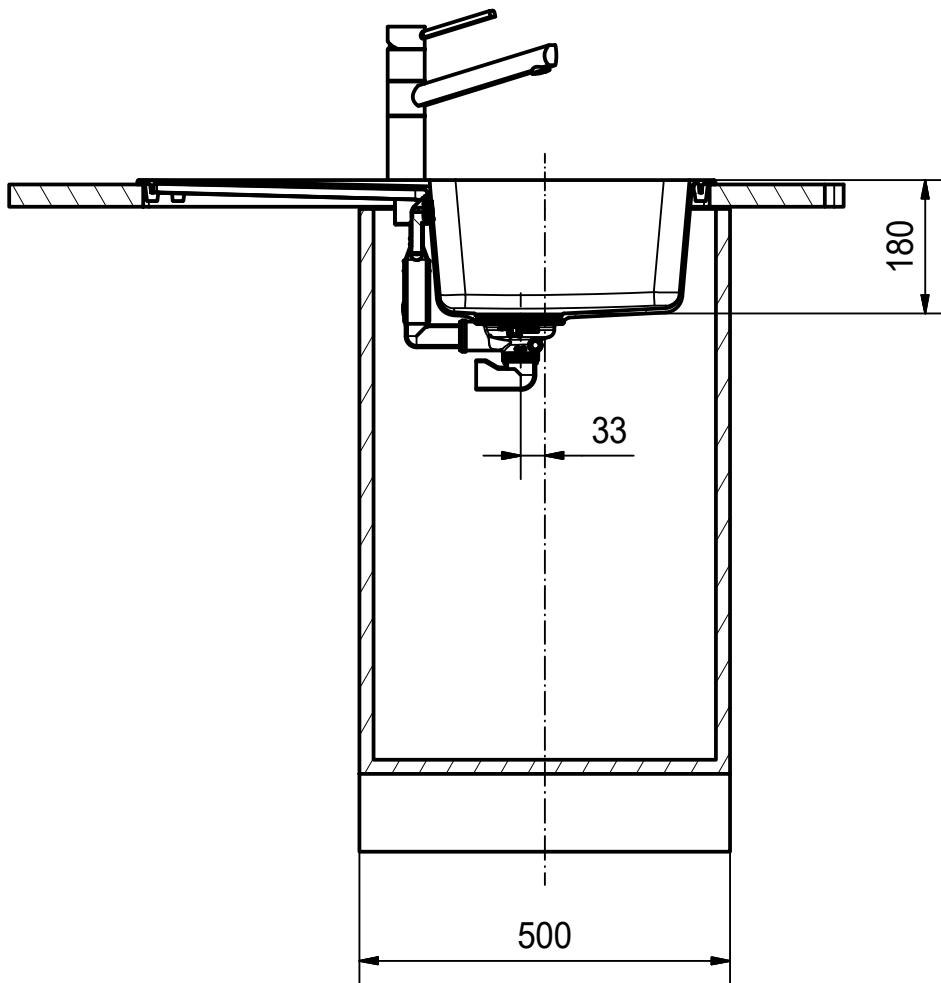


DF



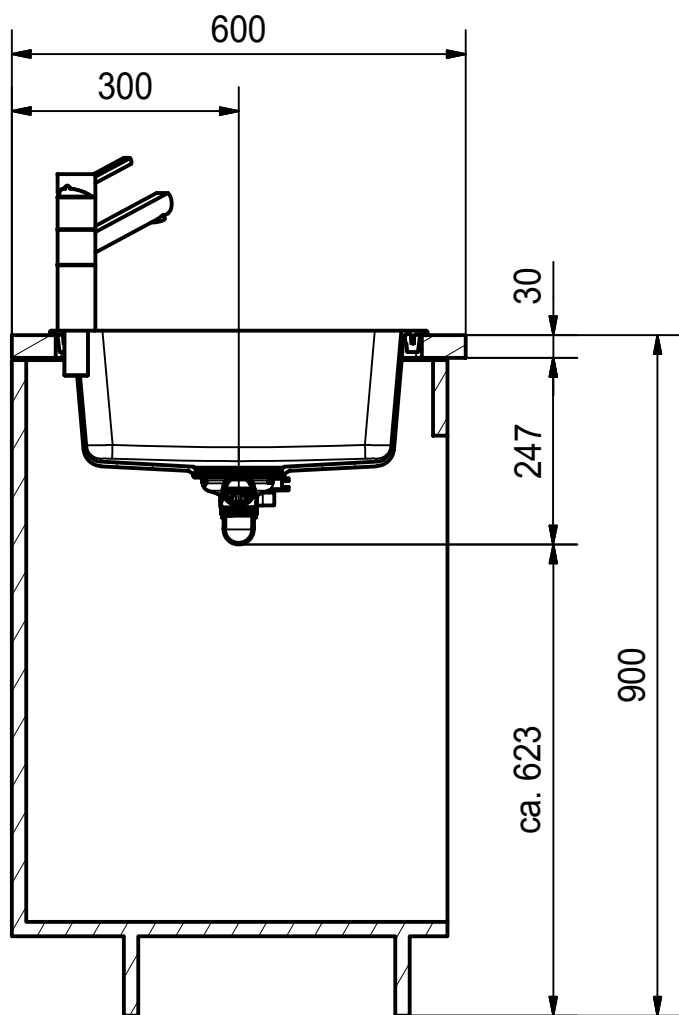
Drawing No.	0056-216531	Revision	
Drawn Date	8/17/2017		
<small>These drawings and specifications are the property of Franke Technology and Trademark Ltd. and shall not be reproduced, copied or transferred to any third party without the prior written permission of Franke Technology and Trademark Ltd., Hergiswil, Switzerland</small>			

Franke Küchentechnik AG  
CH-4663 Aarburg  
Phone: +41 62 787 31 31  
Internet: www.franke.com

**OID 611-78 SI**  
installing document

Sheet	Sheets
1	6

# DS



Drawing No.	0056-216531	Revision	
Drawn Date	8/17/2017		
<small>These drawings and specifications are the property of Franke Technology and Trademark Ltd. and shall not be reproduced, copied or transferred to any third party without the prior written permission of Franke Technology and Trademark Ltd., Hergiswil, Switzerland</small>			

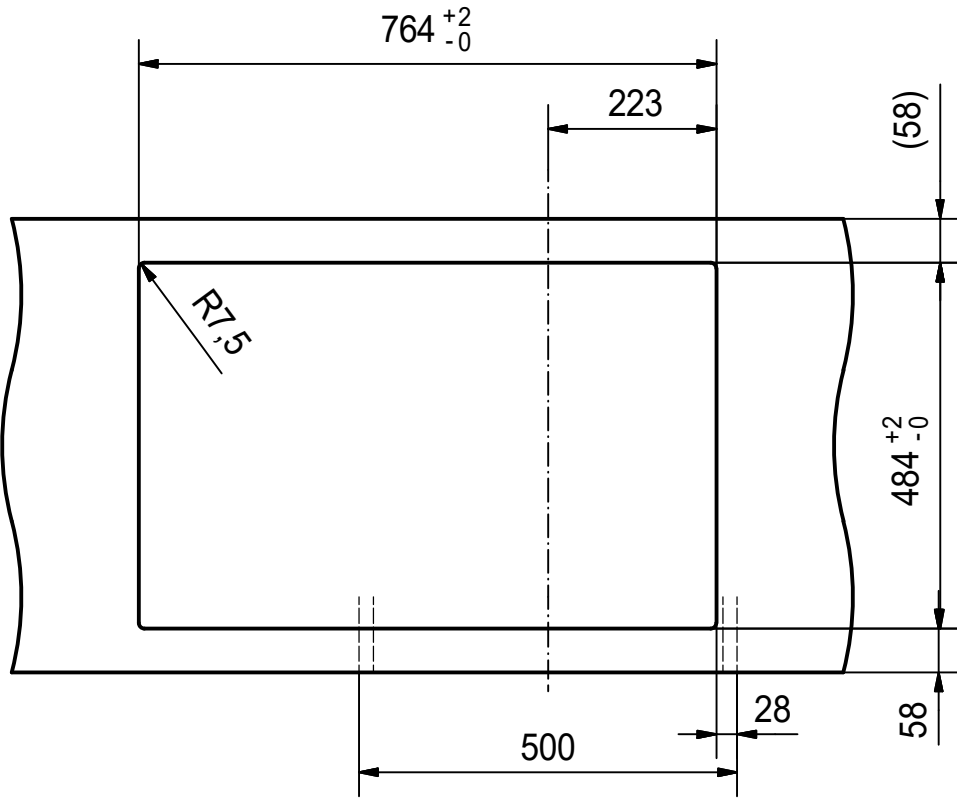
Franke Küchentechnik AG  
CH-4663 Aarburg  
Phone: +41 62 787 31 31  
Internet : www.franke.com

## OID 611-78 SI

installing document

Sheet	Sheets
2	6

CO



Drawing No.	0056-216531	Revision	
Drawn Date	8/17/2017		
<small>These drawings and specifications are the property of Franke Technology and Trademark Ltd. and shall not be reproduced, copied or transferred to any third party without the prior written permission of Franke Technology and Trademark Ltd., Hergiswil, Switzerland</small>			

Franke Küchentechnik AG  
CH-4663 Aarburg  
Phone: +41 62 787 31 31  
Internet : www.franke.com

**OID 611-78 SI**  
installing document

Sheet	Sheets
3	6

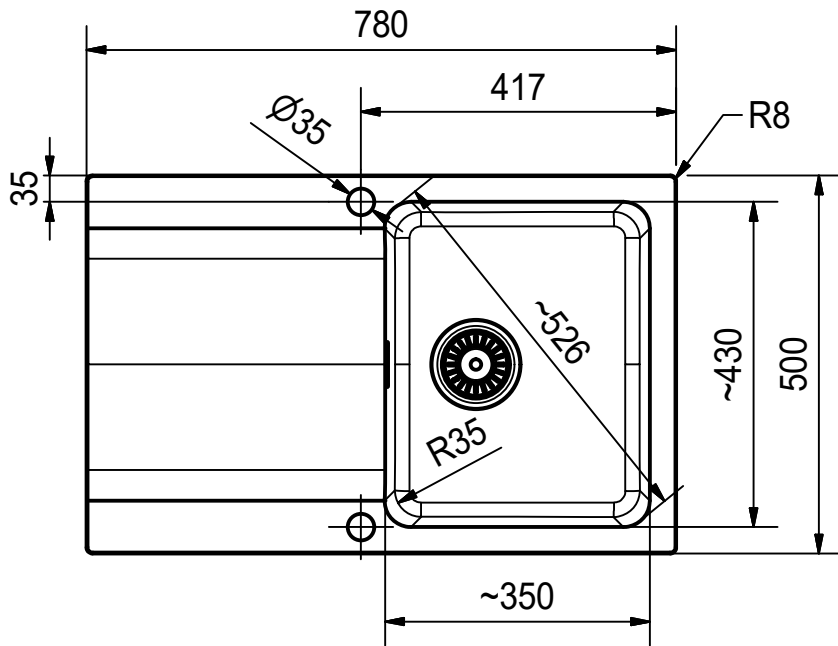
# CNC



Drawing No.	0056-216531	Revision		Franke Küchentechnik AG CH-4663 Aarburg Phone: +41 62 787 31 31 Internet : www.franke.com	<b>OID 611-78 SI</b> installing document	Sheet	Sheets
Drawn Date	8/17/2017					<b>4</b>	<b>6</b>

These drawings and specifications are the property of Franke Technology and Trademark Ltd. and shall not be reproduced, copied or transferred to any third party without the prior written permission of Franke Technology and Trademark Ltd., Hergiswil, Switzerland

# DT



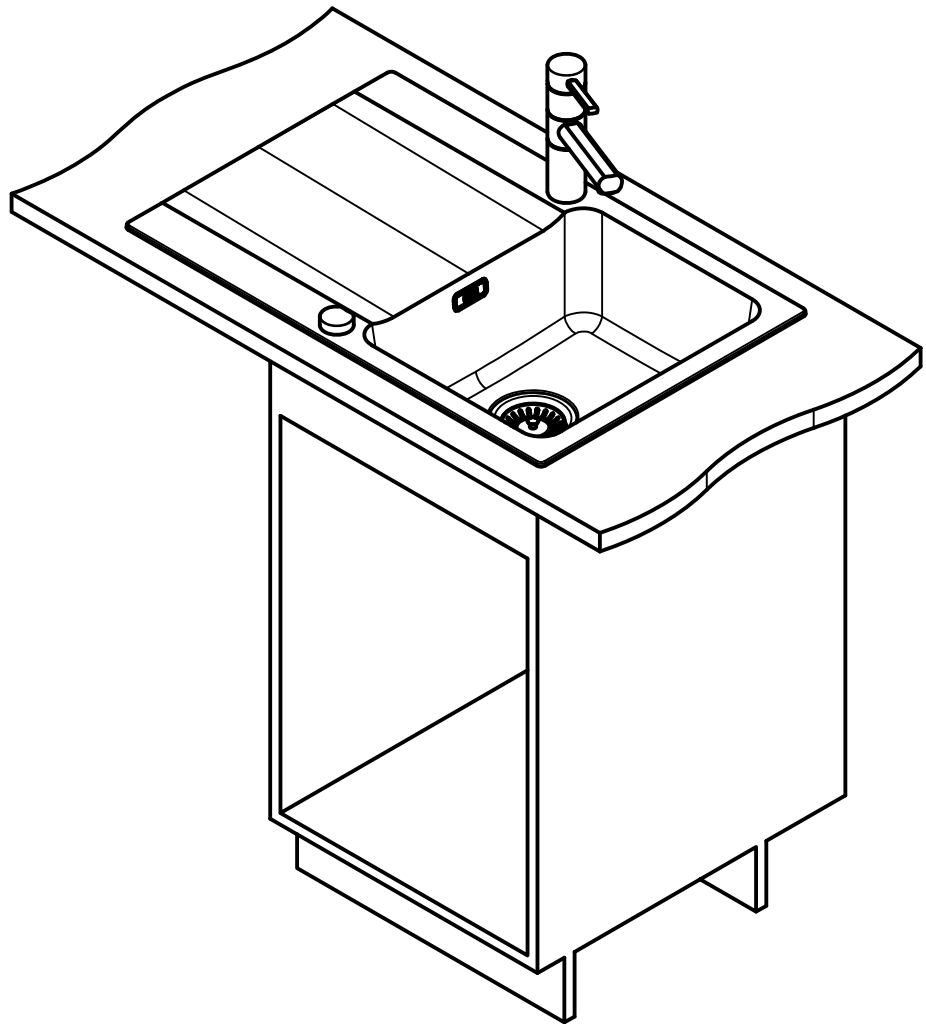
Drawing No.	0056-216531	Revision	
Drawn Date	8/17/2017		
<small>These drawings and specifications are the property of Franke Technology and Trademark Ltd. and shall not be reproduced, copied or transferred to any third party without the prior written permission of Franke Technology and Trademark Ltd., Hergiswil, Switzerland</small>			

Franke Küchentechnik AG  
CH-4663 Aarburg  
Phone: +41 62 787 31 31  
Internet : www.franke.com

## OID 611-78 SI

### installing document

Sheet	Sheets
5	6



Drawing No.	0056-216531	Revision	
Drawn Date	8/17/2017		
<small>These drawings and specifications are the property of Franke Technology and Trademark Ltd. and shall not be reproduced, copied or transferred to any third party without the prior written permission of Franke Technology and Trademark Ltd., Hergiswil, Switzerland</small>			

Franke Küchentechnik AG  
CH-4663 Aarburg  
Phone: +41 62 787 31 31  
Internet : www.franke.com

## OID 611-78 SI

### installing document

Sheet	Sheets
6	6