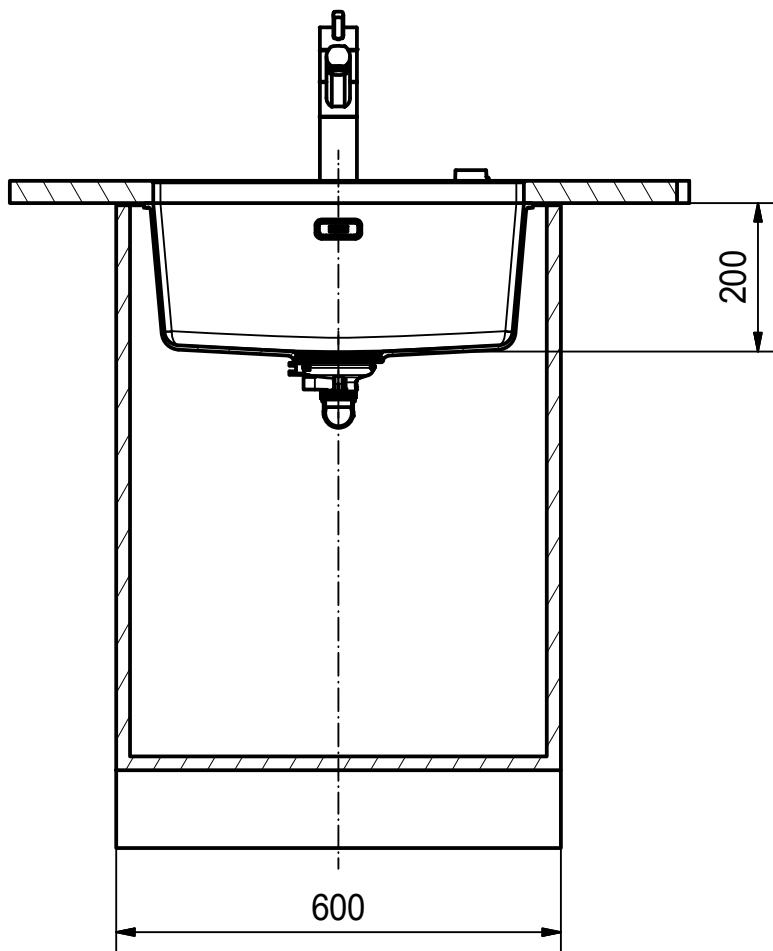


DF



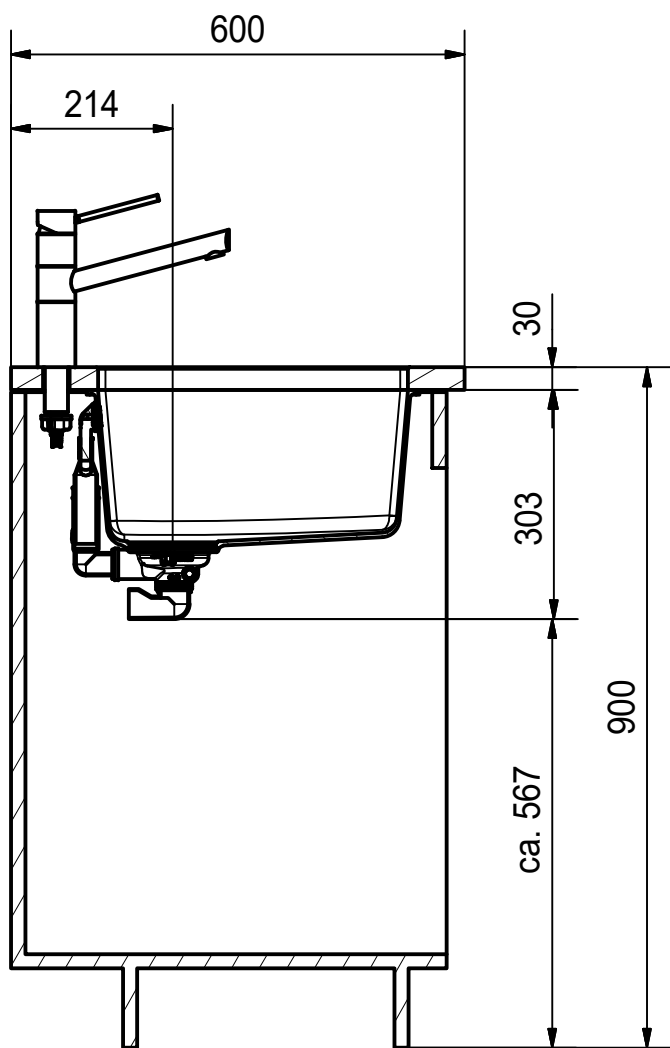
Drawing No.	0056-216669	Revision	
Drawn Date	8/25/2017		
<small>These drawings and specifications are the property of Franke Technology and Trademark Ltd. and shall not be reproduced, copied or transferred to any third party without the prior written permission of Franke Technology and Trademark Ltd., Hergiswil, Switzerland</small>			

Franke Küchentechnik AG
CH-4663 Aarburg
Phone: +41 62 787 31 31
Internet : www.franke.com

SID 110-50 SI
installing document

Sheet	Sheets
1	6

DS



Drawing No.	0056-216669	Revision	
Drawn Date	8/25/2017		
<small>These drawings and specifications are the property of Franke Technology and Trademark Ltd. and shall not be reproduced, copied or transferred to any third party without the prior written permission of Franke Technology and Trademark Ltd., Hergiswil, Switzerland</small>			

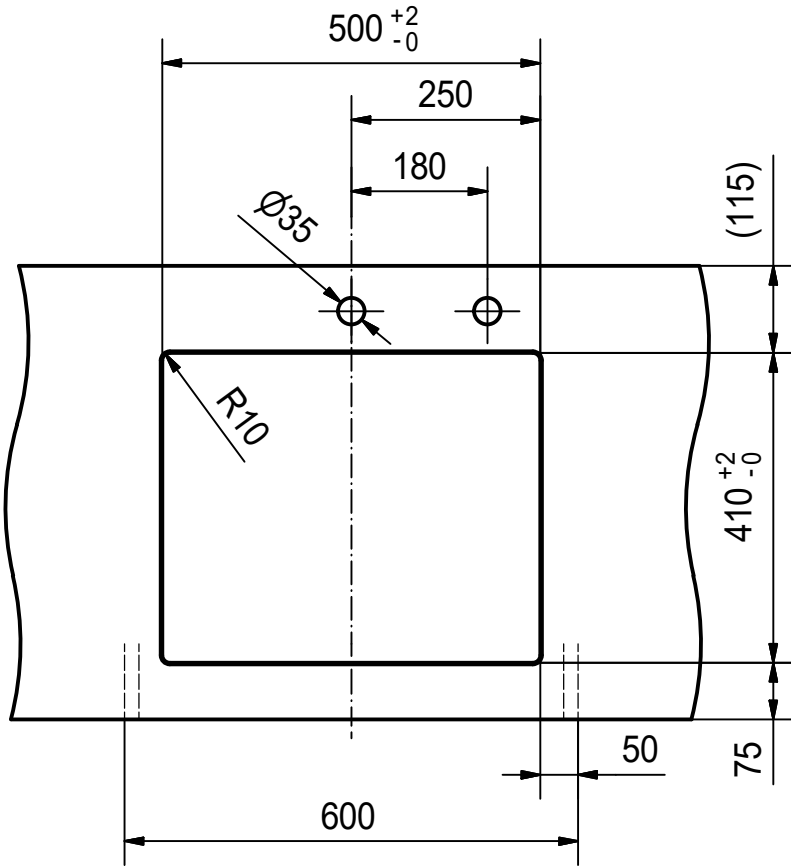
Franke Küchentechnik AG
CH-4663 Aarburg
Phone: +41 62 787 31 31
Internet : www.franke.com

SID 110-50 SI

installing document

Sheet	Sheets
2	6

CO



Drawing No.	0056-216669	Revision	
Drawn Date	8/25/2017		
<small>These drawings and specifications are the property of Franke Technology and Trademark Ltd. and shall not be reproduced, copied or transferred to any third party without the prior written permission of Franke Technology and Trademark Ltd., Hergiswil, Switzerland</small>			

Franke K chentechnik AG
CH-4663 Aarburg
Phone: +41 62 787 31 31
Internet : www.franke.com

SID 110-50 SI

installing document

Sheet	Sheets
3	6

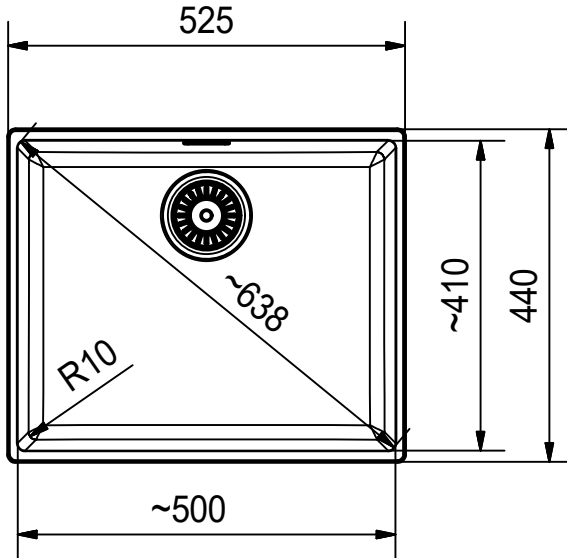
CNC



Drawing No.	0056-21669	Revision		Franke Küchentechnik AG CH-4663 Aarburg Phone: +41 62 787 31 31 Internet : www.franke.com	SID 110-50 SI installing document	Sheet	Sheets
Drawn Date	8/25/2017					4	6

These drawings and specifications are the property of Franke Technology and Trademark Ltd. and shall not be reproduced, copied or transferred to any third party without the prior written permission of Franke Technology and Trademark Ltd., Hergiswil, Switzerland

DT



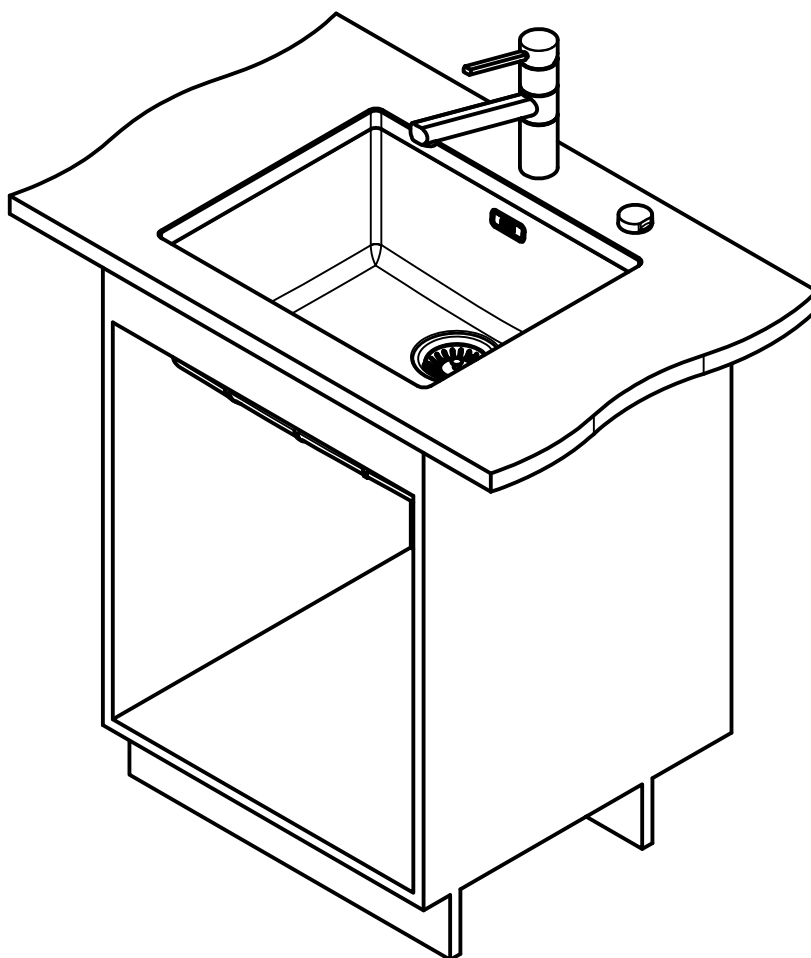
Drawing No.	0056-216669	Revision	
Drawn Date	8/25/2017		
<small>These drawings and specifications are the property of Franke Technology and Trademark Ltd. and shall not be reproduced, copied or transferred to any third party without the prior written permission of Franke Technology and Trademark Ltd., Hergiswil, Switzerland</small>			

Franke K chentechnik AG
CH-4663 Aarburg
Phone: +41 62 787 31 31
Internet : www.franke.com

SID 110-50 SI

installing document

Sheet	Sheets
5	6



Drawing No.	0056-21669	Revision	
Drawn Date	8/25/2017		

Franke K chentechnik AG
CH-4663 Aarburg
Phone: +41 62 787 31 31
Internet : www.franke.com

SID 110-50 SI

installing document

Sheet Sheets

6 6