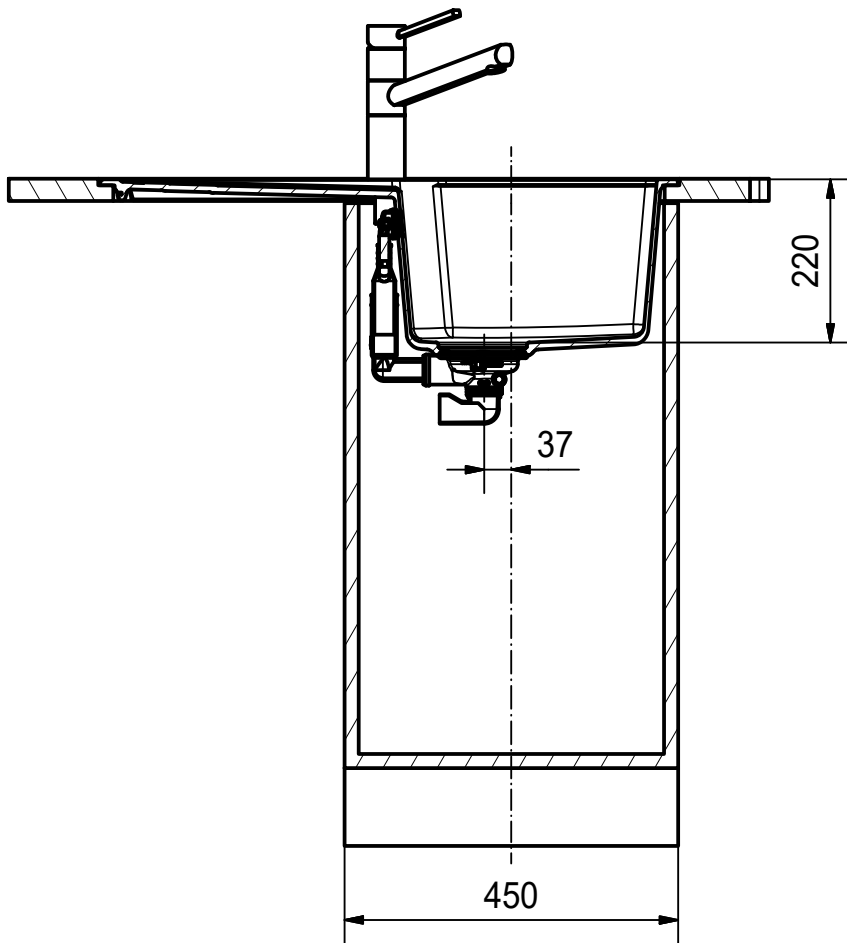


# DF



Drawing No.	20131809_01	Revision	
Drawn Date	29.11.2018		
<small>These drawings and specifications are the property of Franke Technology and Trademark Ltd. and shall not be reproduced, copied or transferred to any third party without the prior written permission of Franke Technology and Trademark Ltd., Hergiswil, Switzerland</small>			

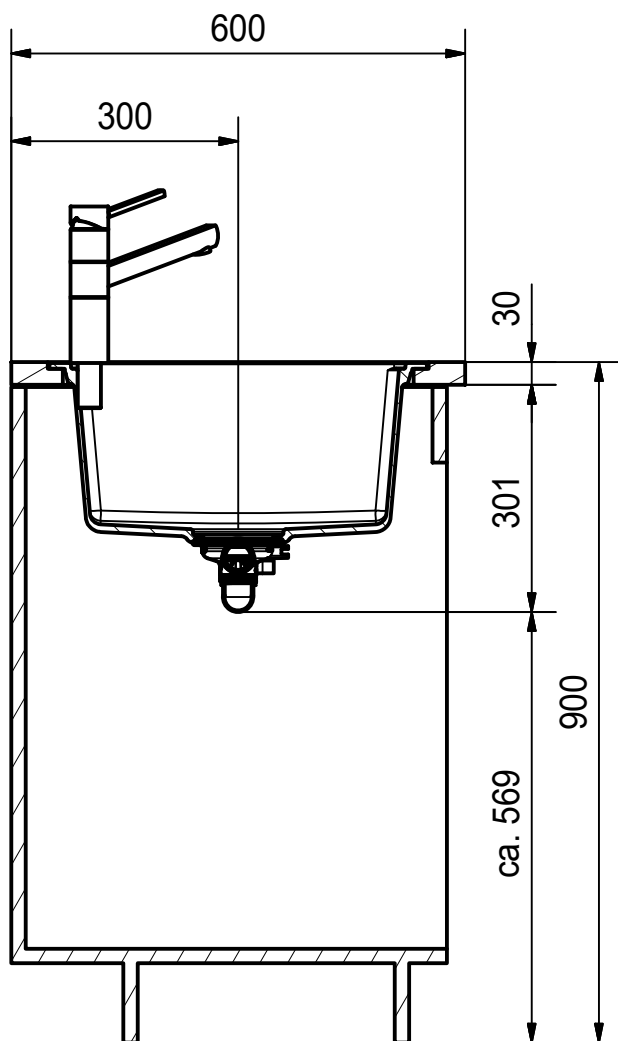
Franke Küchentechnik AG  
CH-4663 Aarburg  
Phone: +41 62 787 31 31  
Internet: www.franke.com

## UBG 211-78 installing document

Sheet Sheets

1 6

# DS



Drawing No.	20131809_01	Revision	
Drawn Date	29.11.2018		
<small>These drawings and specifications are the property of Franke Technology and Trademark Ltd. and shall not be reproduced, copied or transferred to any third party without the prior written permission of Franke Technology and Trademark Ltd., Hergiswil, Switzerland</small>			

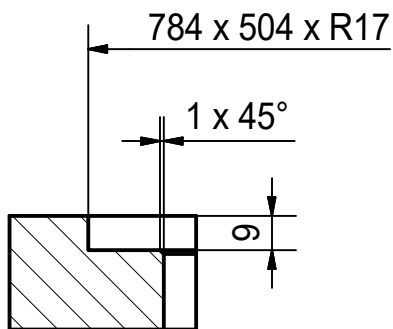
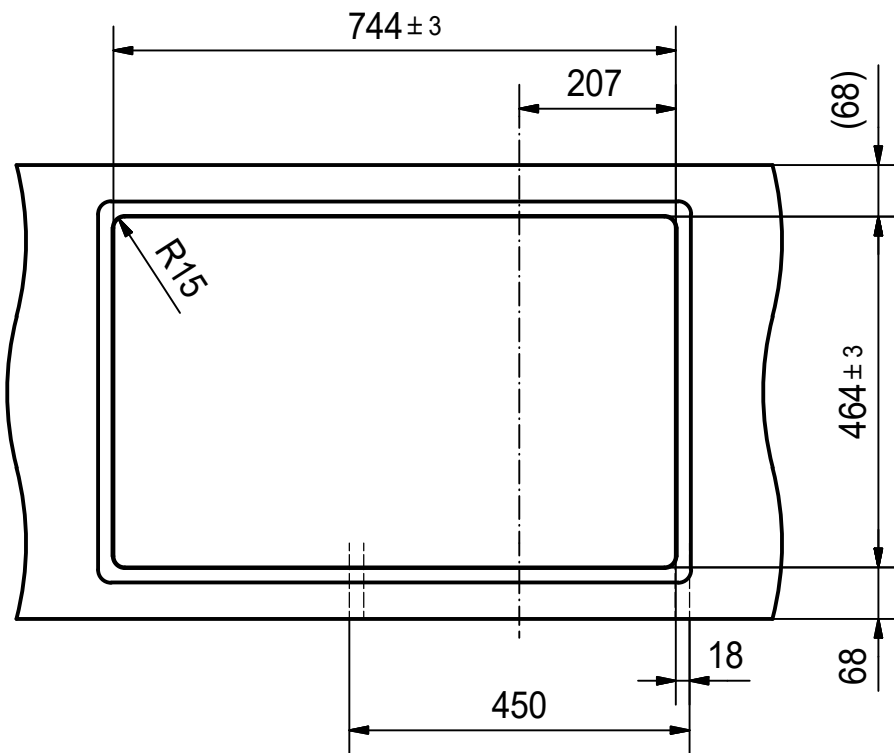
Franke K chentechnik AG  
CH-4663 Aarburg  
Phone: +41 62 787 31 31  
Internet : www.franke.com

## UBG 211-78

installing document

Sheet	Sheets
2	6

# CO



For flush fit only

Drawing No.	20131809_01	Revision	
Drawn Date	29.11.2018		
<small>These drawings and specifications are the property of Franke Technology and Trademark Ltd. and shall not be reproduced, copied or transferred to any third party without the prior written permission of Franke Technology and Trademark Ltd., Hergiswil, Switzerland</small>			

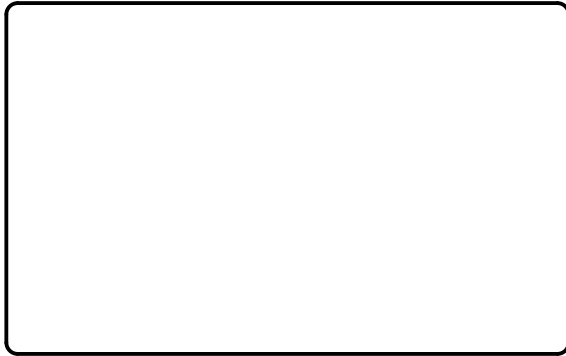
Franke K chentechnik AG  
CH-4663 Aarburg  
Phone: +41 62 787 31 31  
Internet : www.franke.com

## UBG 211-78

installing document

Sheet	Sheets
3	6

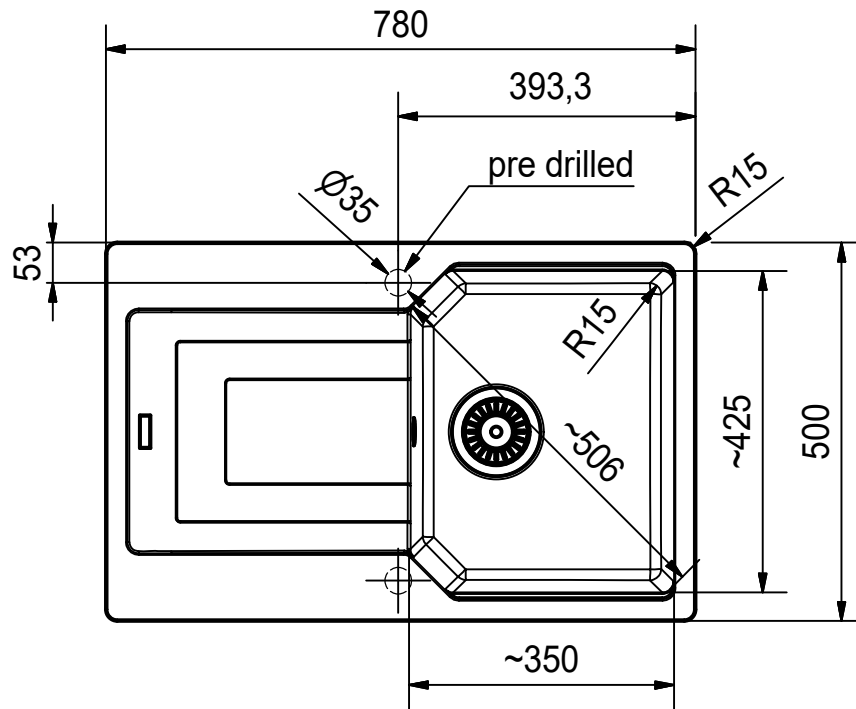
# CNC



Drawing No.	20131809_01	Revision		Franke Küchentechnik AG CH-4663 Aarburg Phone: +41 62 787 31 31 Internet : www.franke.com	<b>UBG 211-78</b> installing document	Sheet	Sheets
Drawn Date	29.11.2018					<b>4</b>	<b>6</b>

These drawings and specifications are the property of Franke Technology and Trademark Ltd. and shall not be reproduced, copied or transferred to any third party without the prior written permission of Franke Technology and Trademark Ltd., Hergiswil, Switzerland

# DT



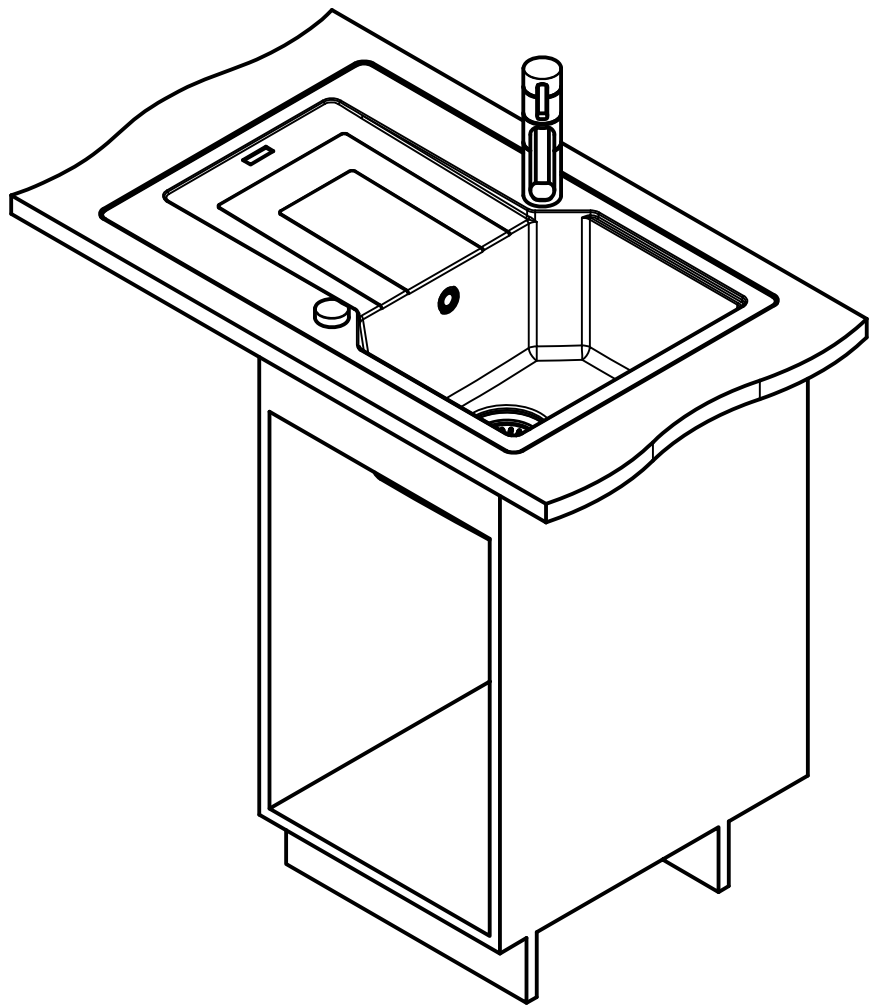
Drawing No.	20131809_01	Revision	
Drawn Date	29.11.2018		
<small>These drawings and specifications are the property of Franke Technology and Trademark Ltd. and shall not be reproduced, copied or transferred to any third party without the prior written permission of Franke Technology and Trademark Ltd., Hergiswil, Switzerland</small>			

Franke Küchentechnik AG  
CH-4663 Aarburg  
Phone: +41 62 787 31 31  
Internet: www.franke.com

## UBG 211-78

installing document

Sheet	Sheets
5	6



Drawing No.	20131809_01	Revision	
Drawn Date	29.11.2018		
<small>These drawings and specifications are the property of Franke Technology and Trademark Ltd. and shall not be reproduced, copied or transferred to any third party without the prior written permission of Franke Technology and Trademark Ltd., Hergiswil, Switzerland</small>			

Franke Küchentechnik AG  
CH-4663 Aarburg  
Phone: +41 62 787 31 31  
Internet : [www.franke.com](http://www.franke.com)

## UBG 211-78

installing document

Sheet	Sheets
6	6