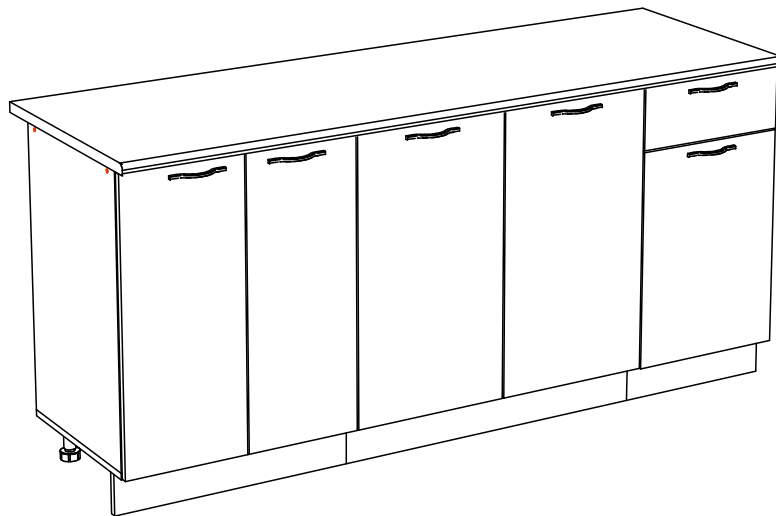
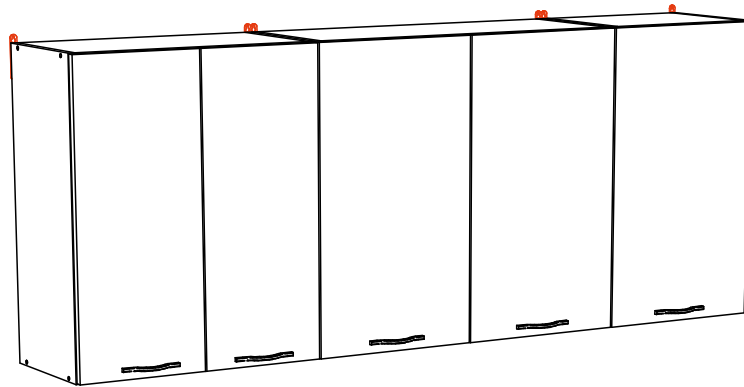
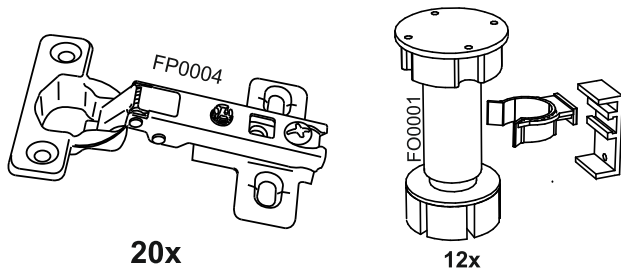
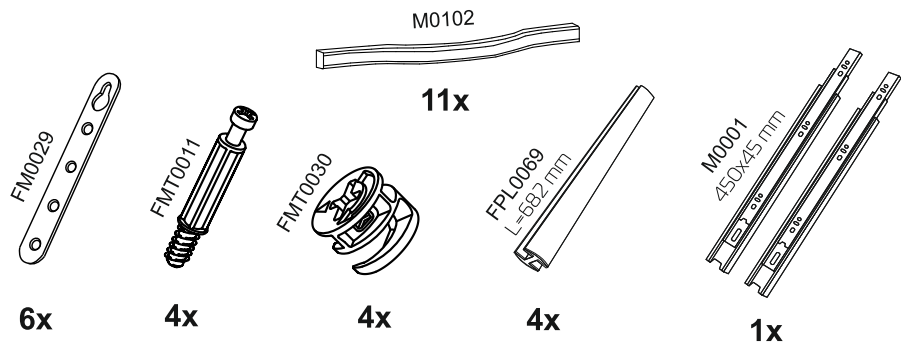
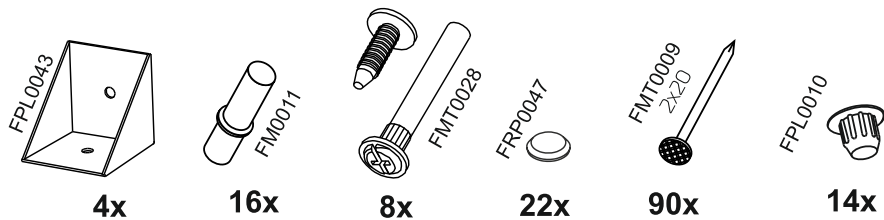
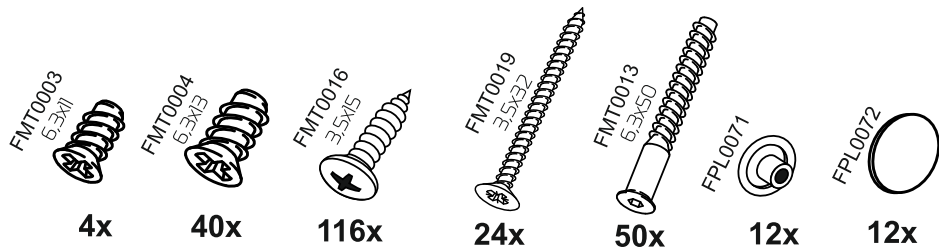


# N1800

1800x2150x600

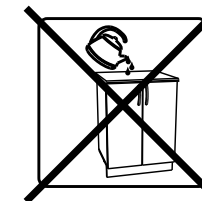
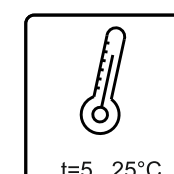
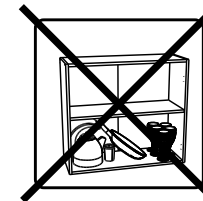
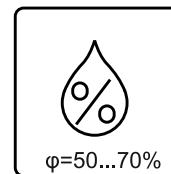
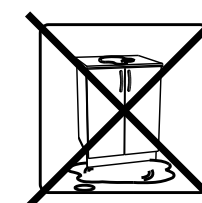
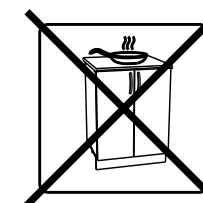
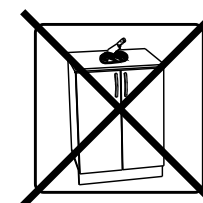
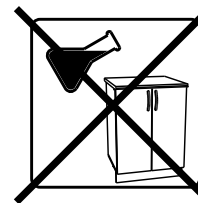
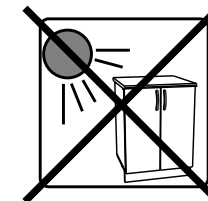
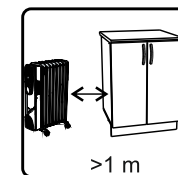
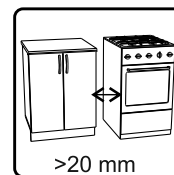
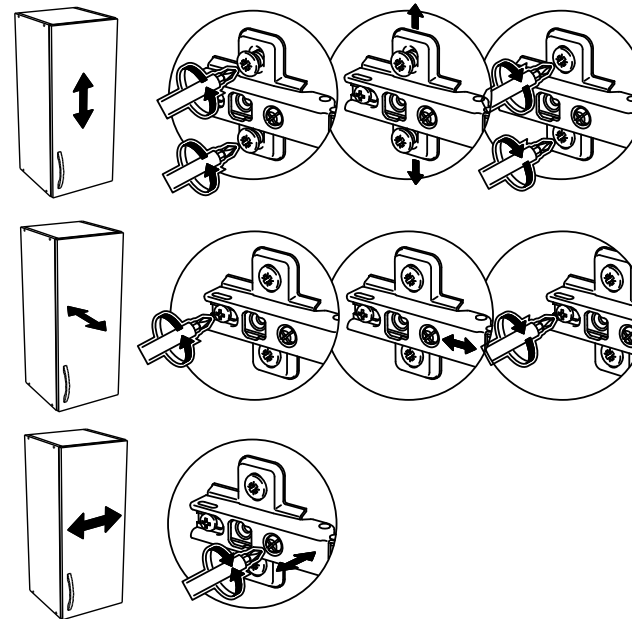
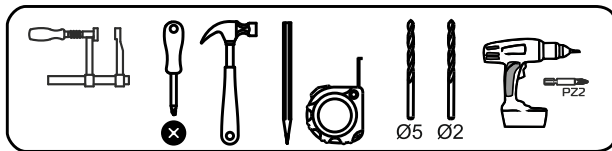


N1800(1)

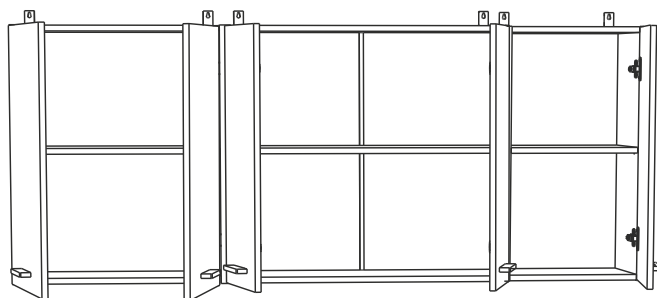


FMT0014 see in furniture under the sink  
 FMT0014 ищите в каркасе под мойку

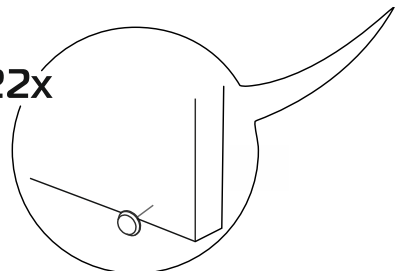
FMT0014  
1x



40



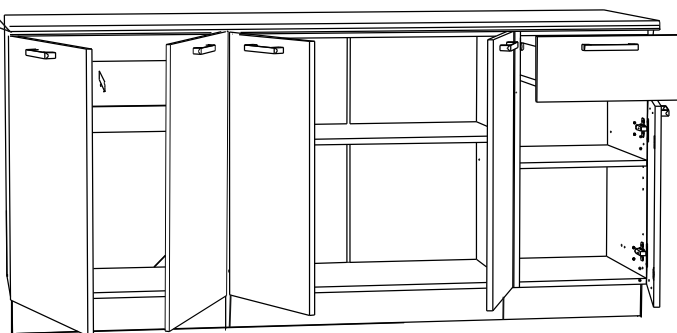
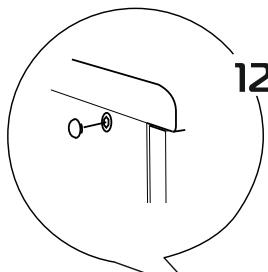
22x



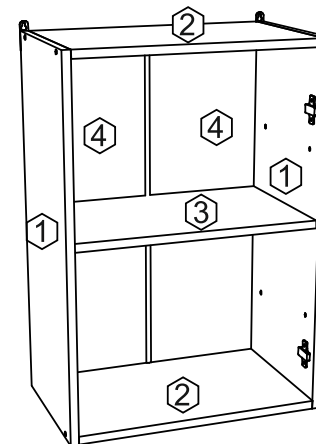
FRP0047

FPL0071

12x

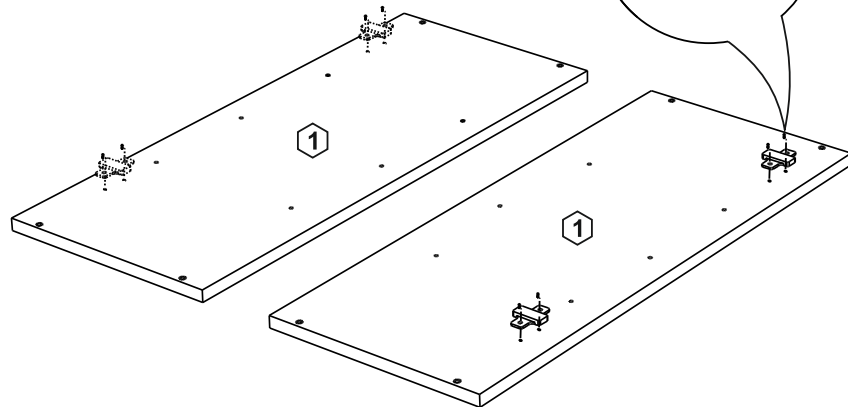


V400  
V600  
V800

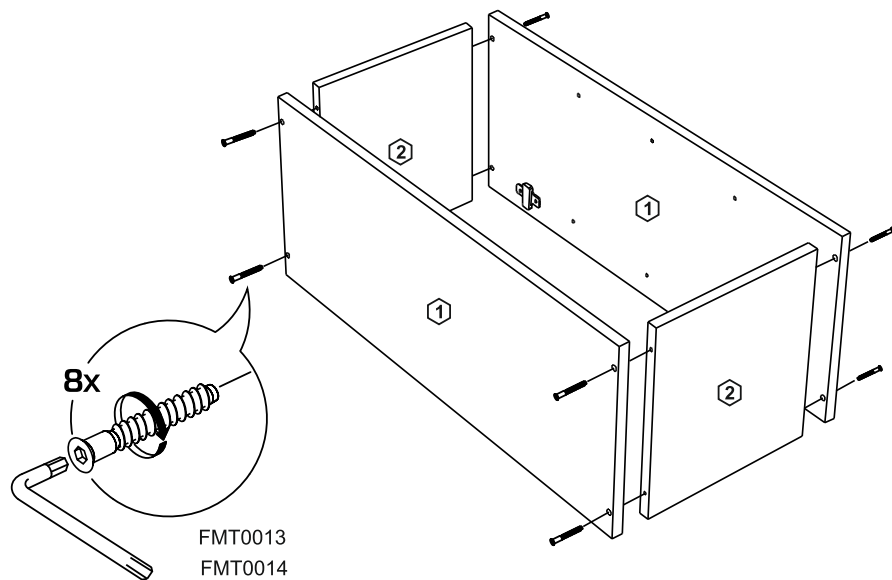


№	code	a*b	module		
			V400	V600	V800
1	V300.01	716*298	2	2	2
	V400.01	368*298	2		
2	V600.01	568*298		2	
	V800.01	768*298			2
3	V400.02	368*290	1		
	V600.02	568*290		1	
	V800.02	768*290			1
4	V300.04	715*295		2	
	V400.03	715*197	2		
	V800.03	715*395			2
5	V300.01	716*296		2	
	V400.01	716*396	1		2

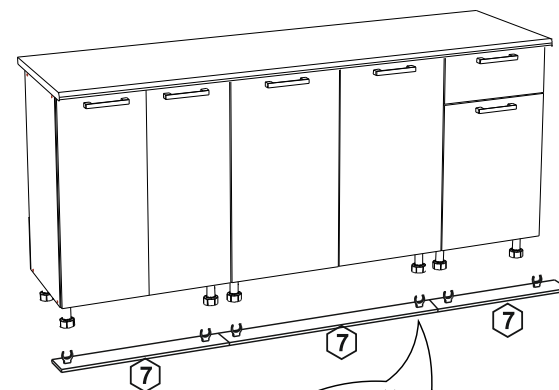
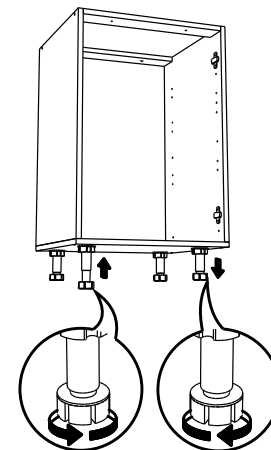
1



2

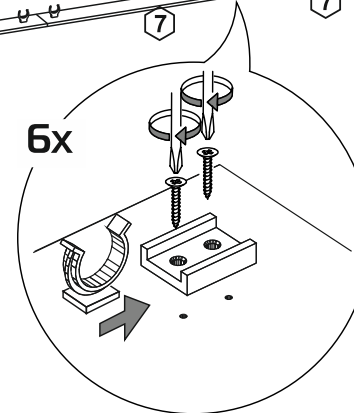


39



6x

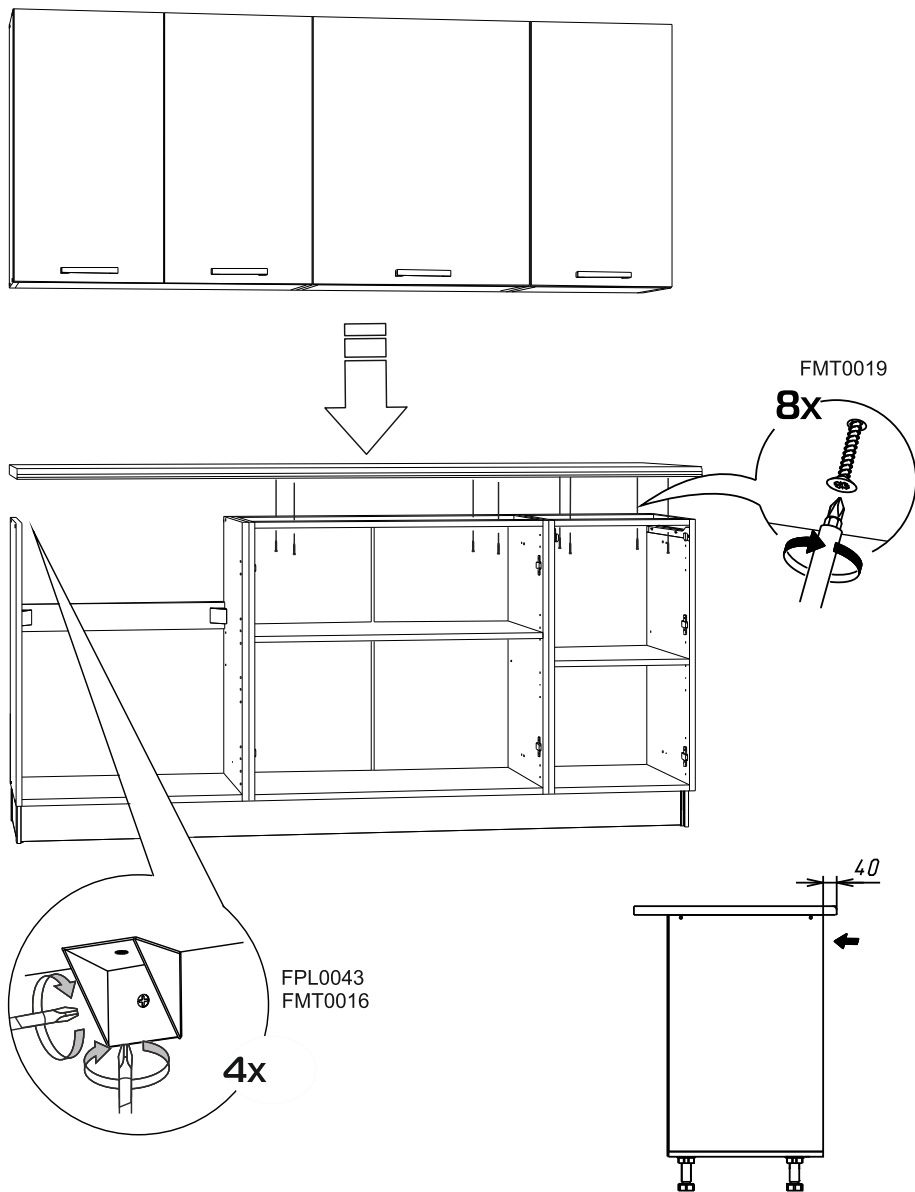
FMT0016  
FO0001



N1800(4)

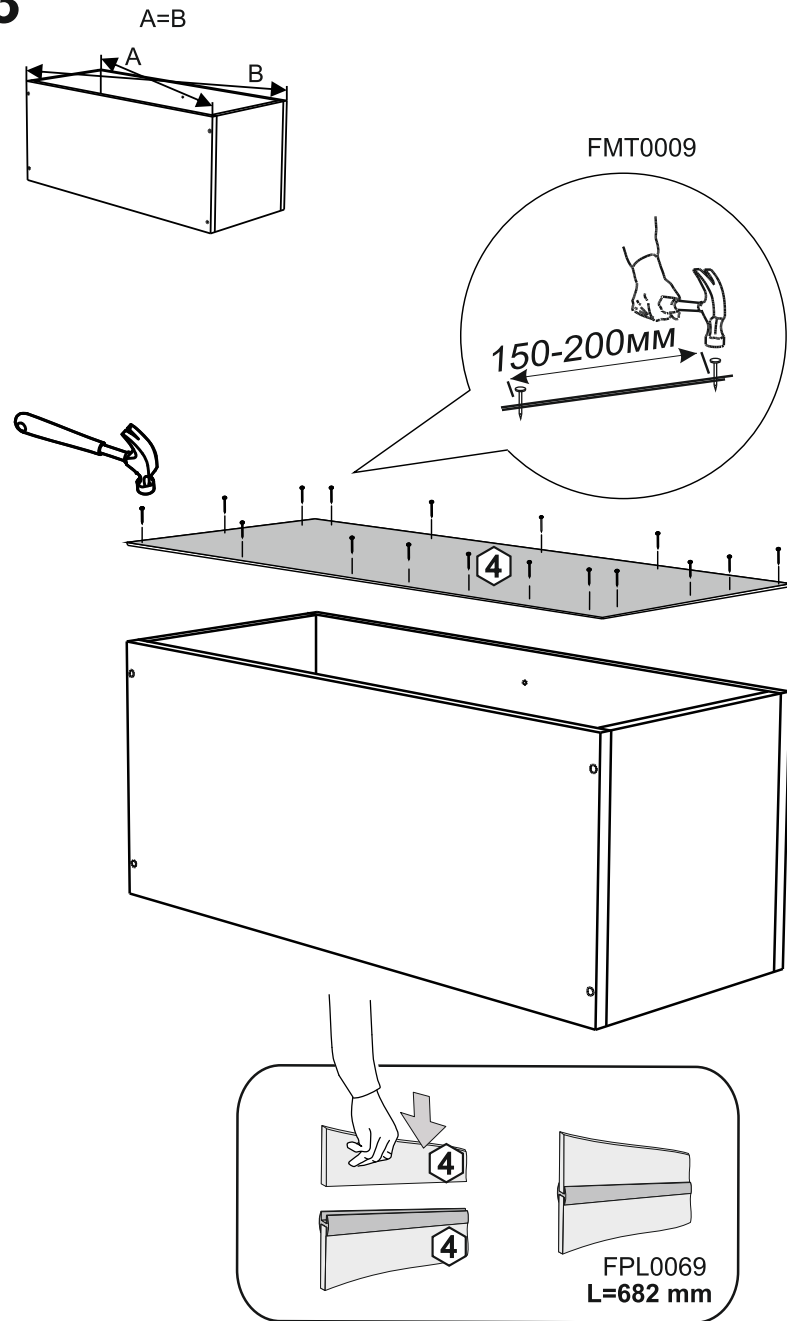
N1800(25)

38



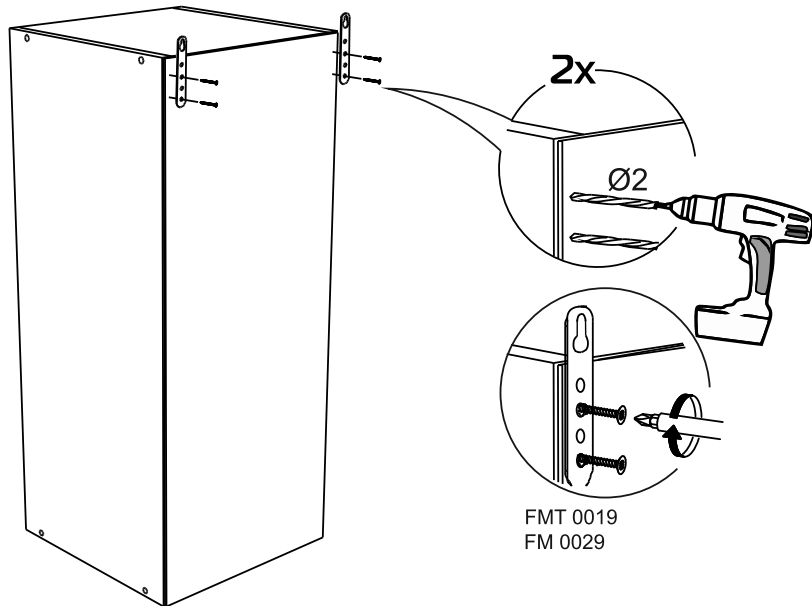
N1800(24)

3

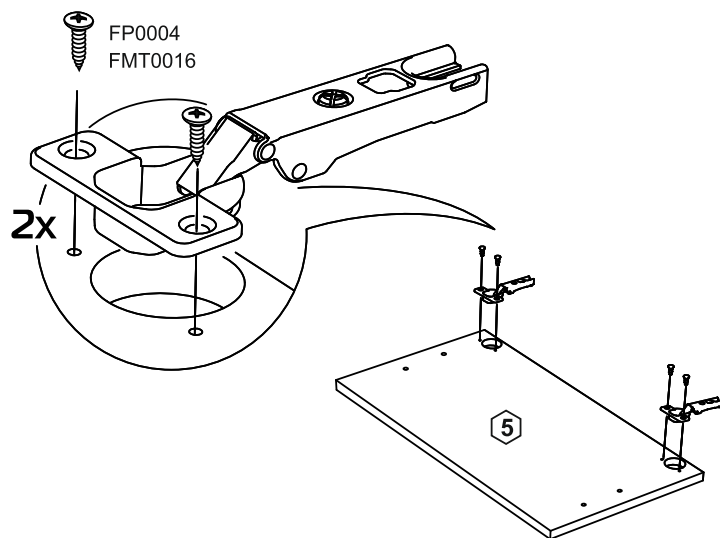


N1800(5)

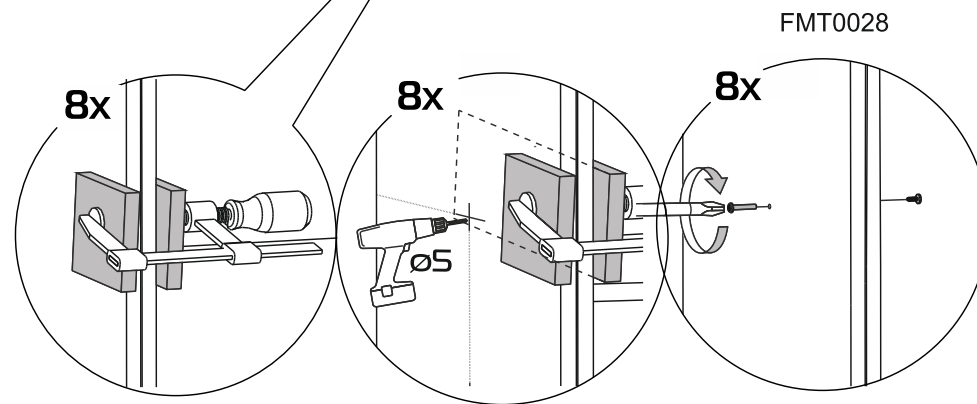
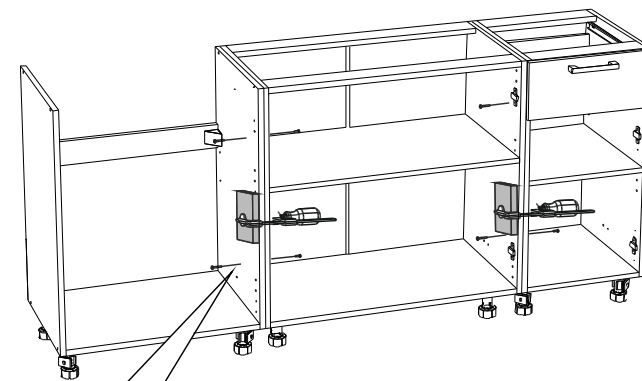
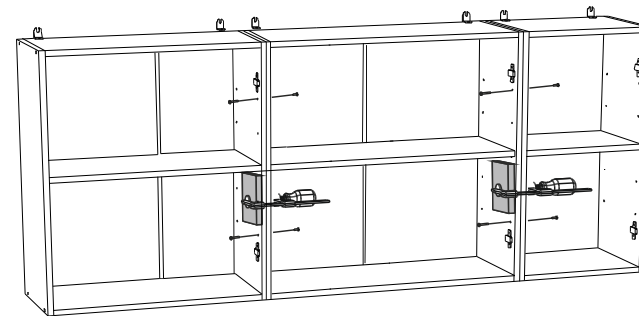
4



5



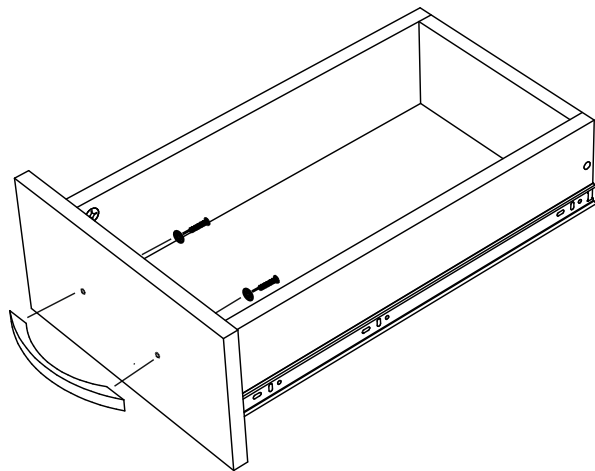
37



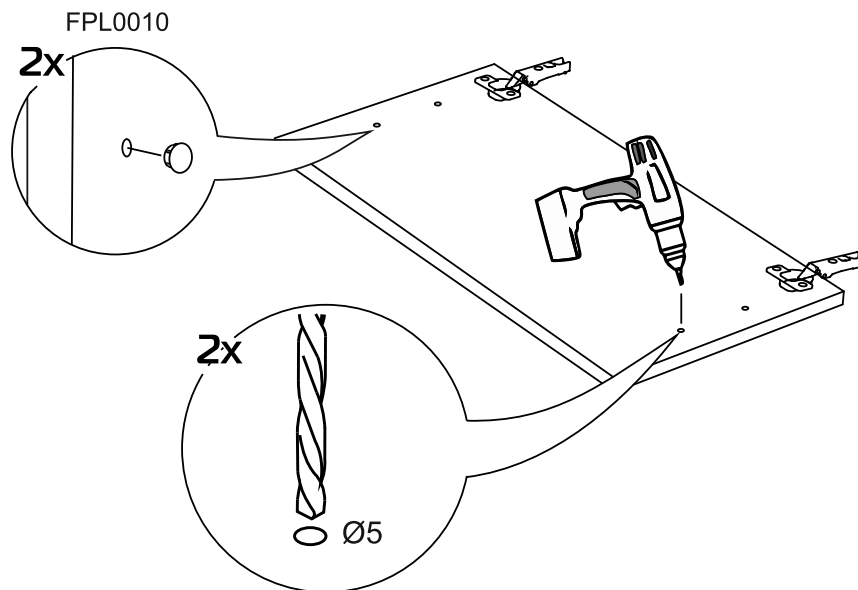
N1800(6)

N1800(23)

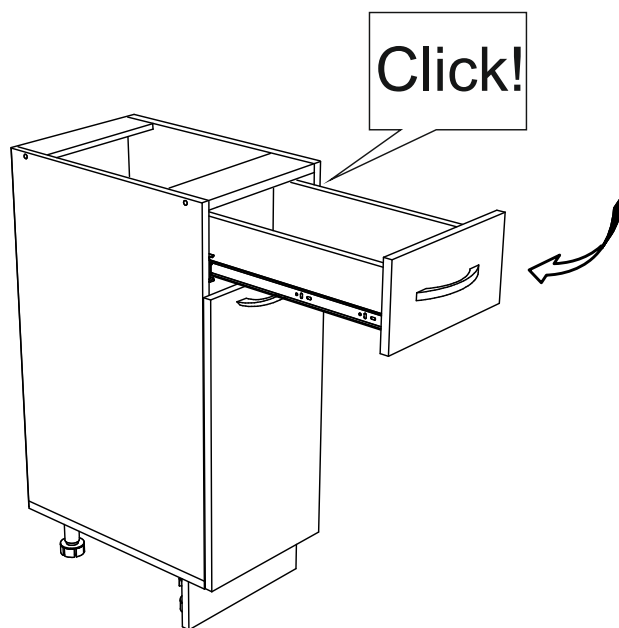
35



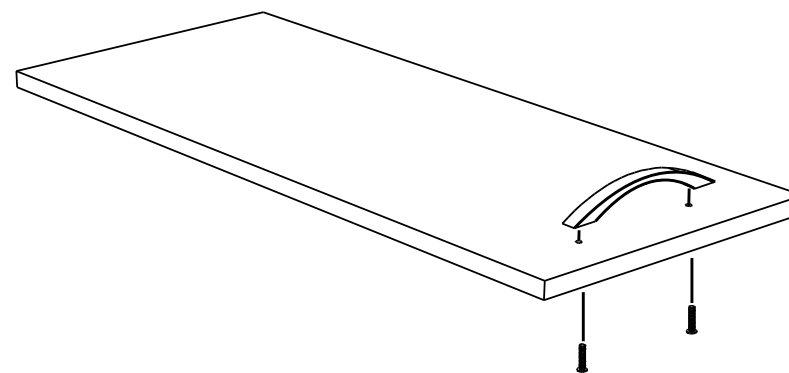
6



36



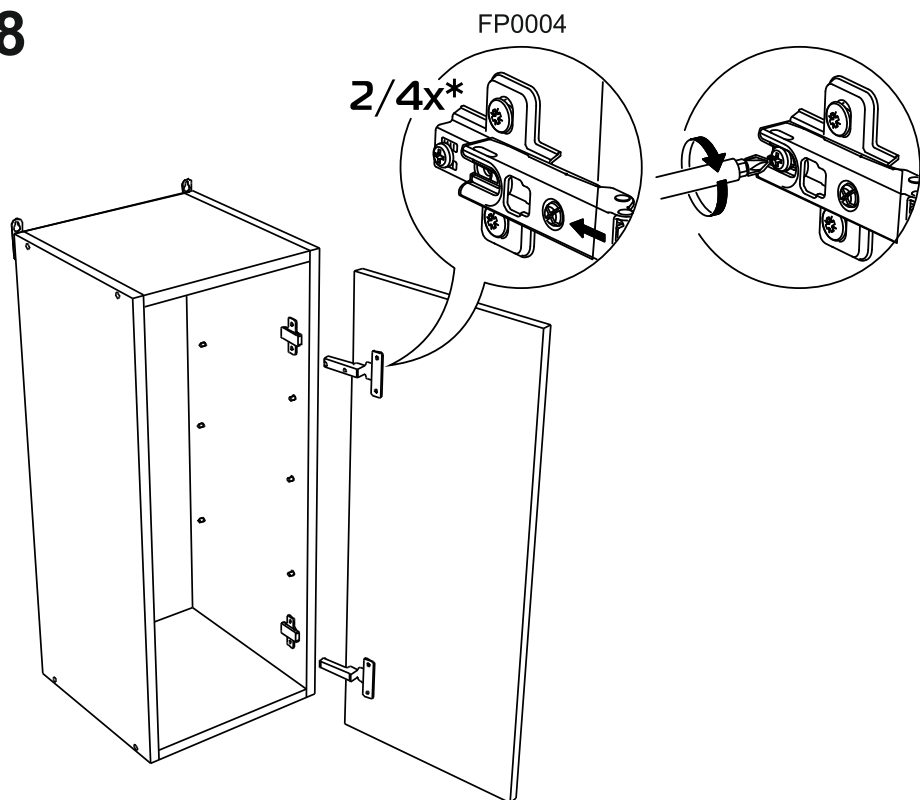
7



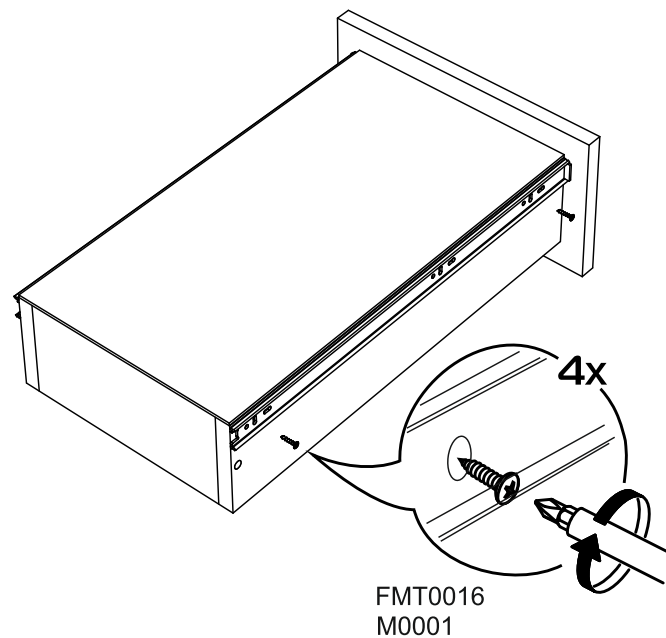
N1800(22)

N1800(7)

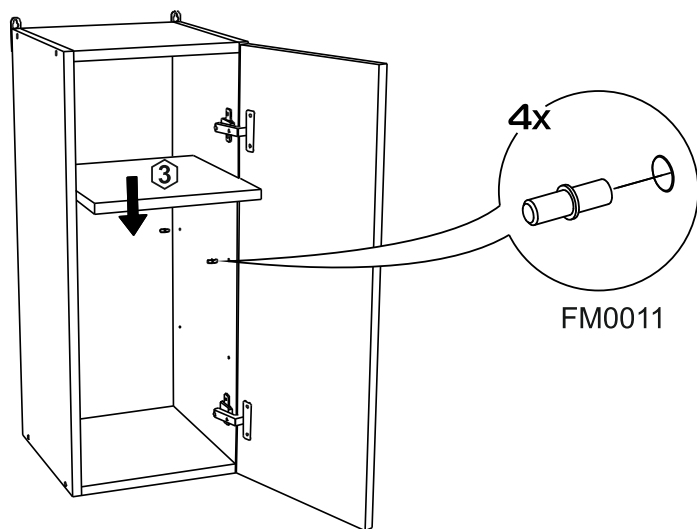
8



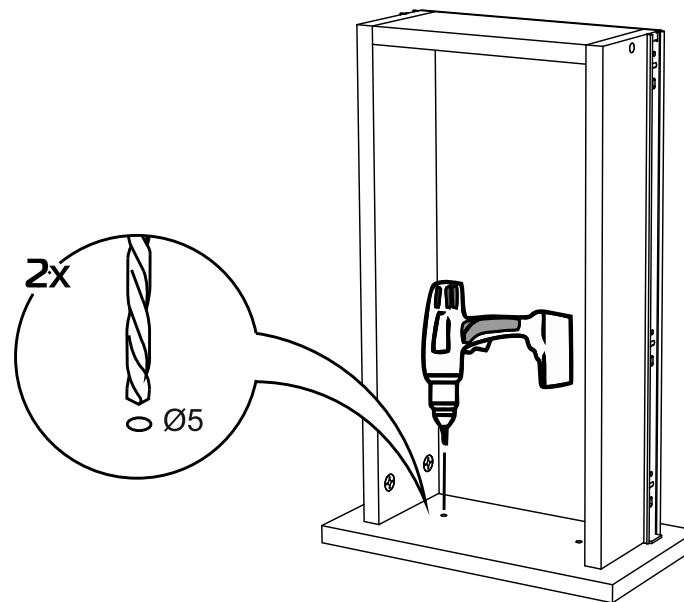
33



9



34

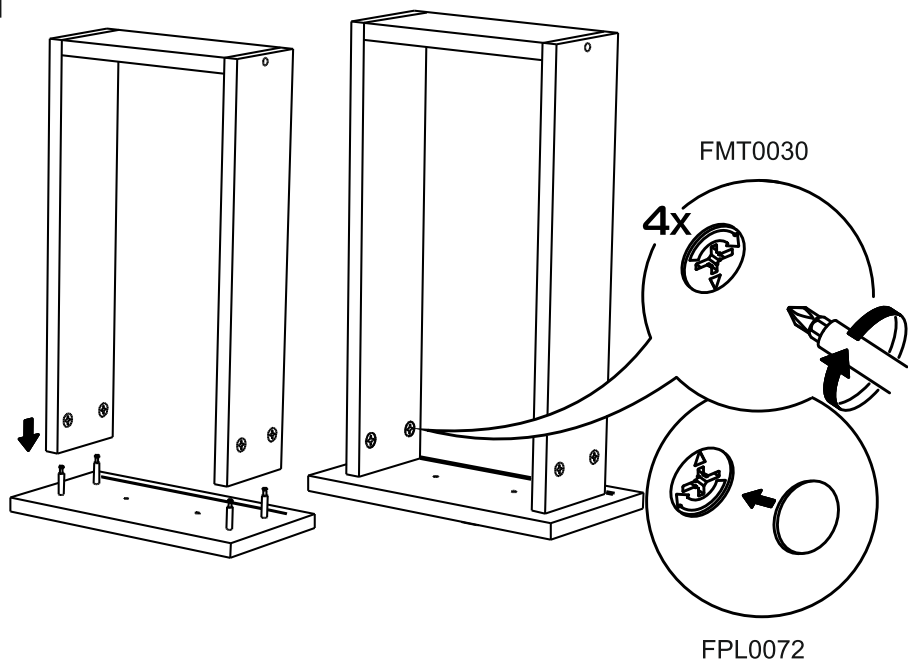


N1800(8)

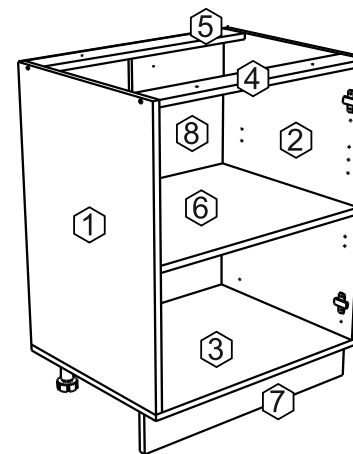
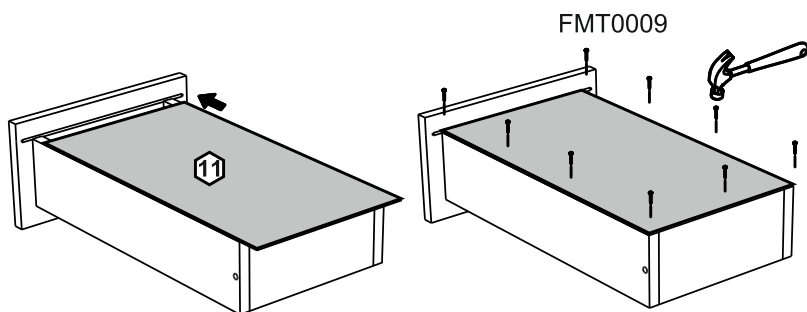
N1800(21)



31

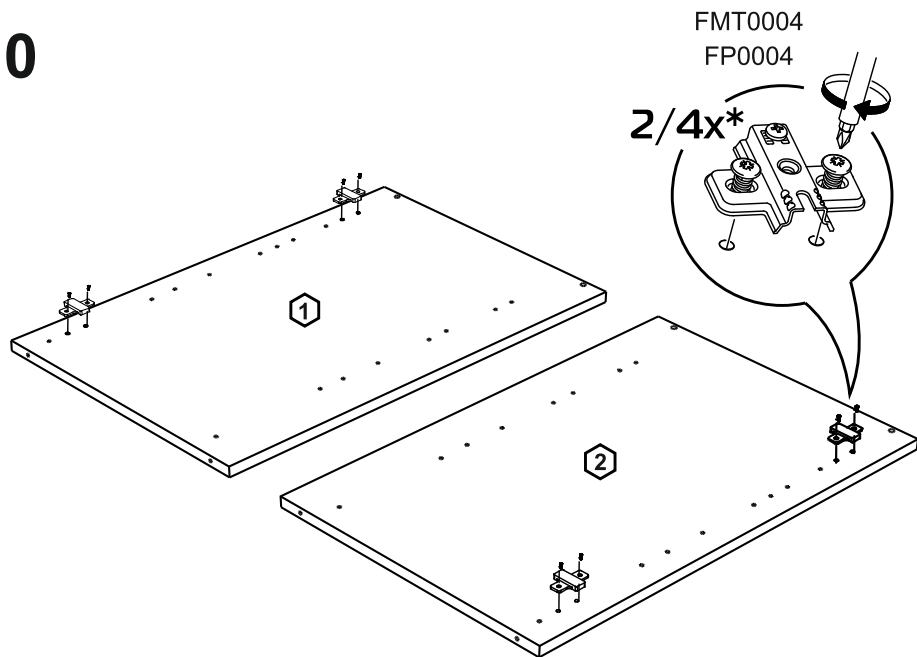


32

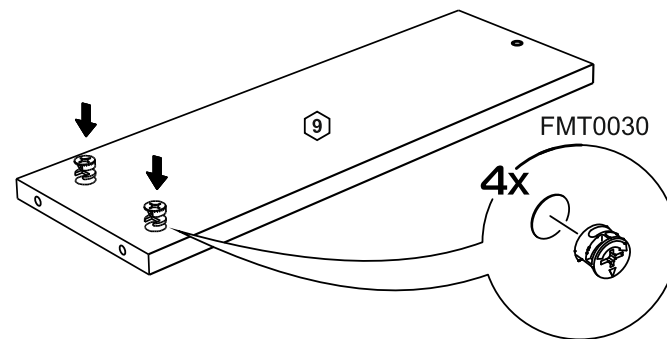


№	code	a*b	module	
			N600	N800
1	N300.01	700*458	1	1
2	N300.02	700*458	1	1
3	N600.01	600*458	1	
	N800.01	800*458		1
4	N600.02	568*74	1	
	N800.02	768*74		1
5	N600.03	568*74	1	
	N800.03	768*74		1
6	N600.04	568*458	1	
	N800.04	768*458		1
7	N600.05	600*100	1	
	N800.05	800*100		1
8	V300.04	715*295	2	
	V800.03	715*395		2
9	V300.01	712*296	2	
	V400.01	712*396		2

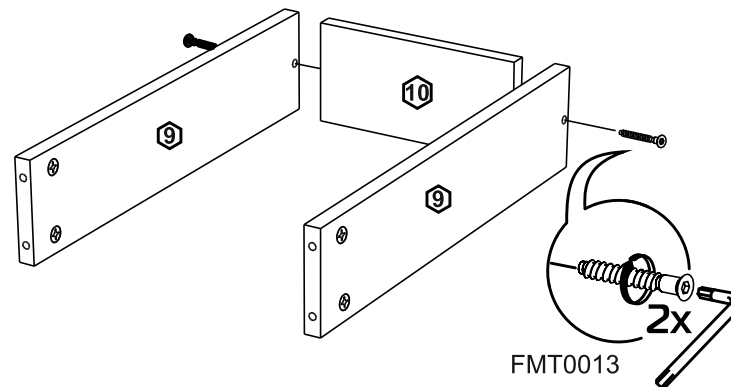
10



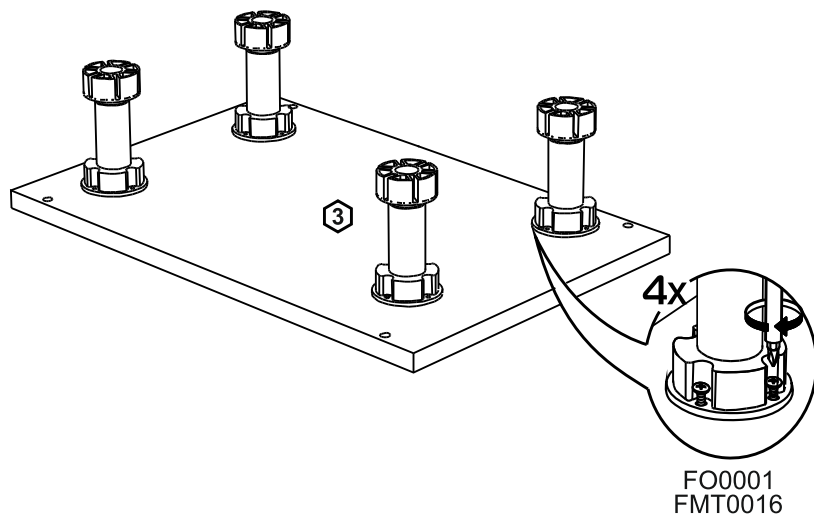
28



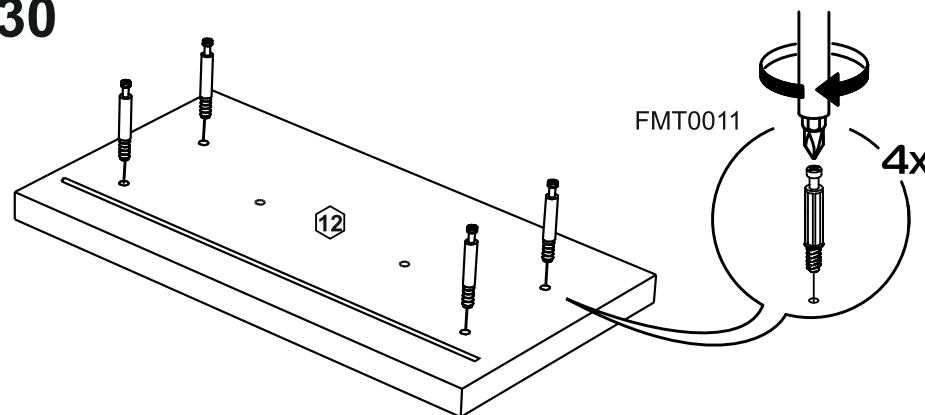
29



11



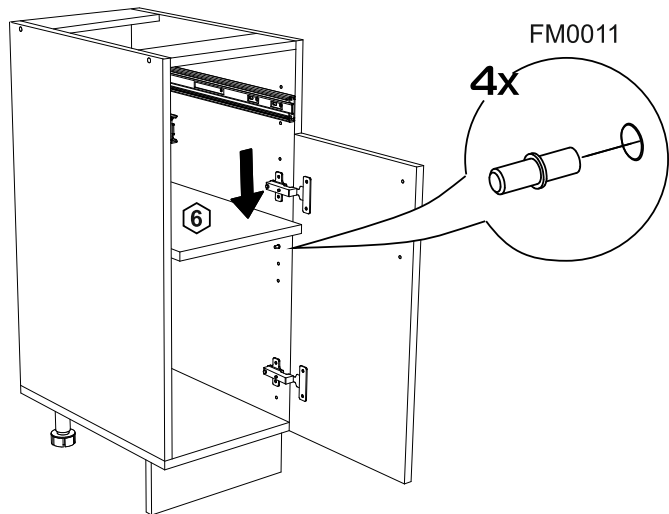
30



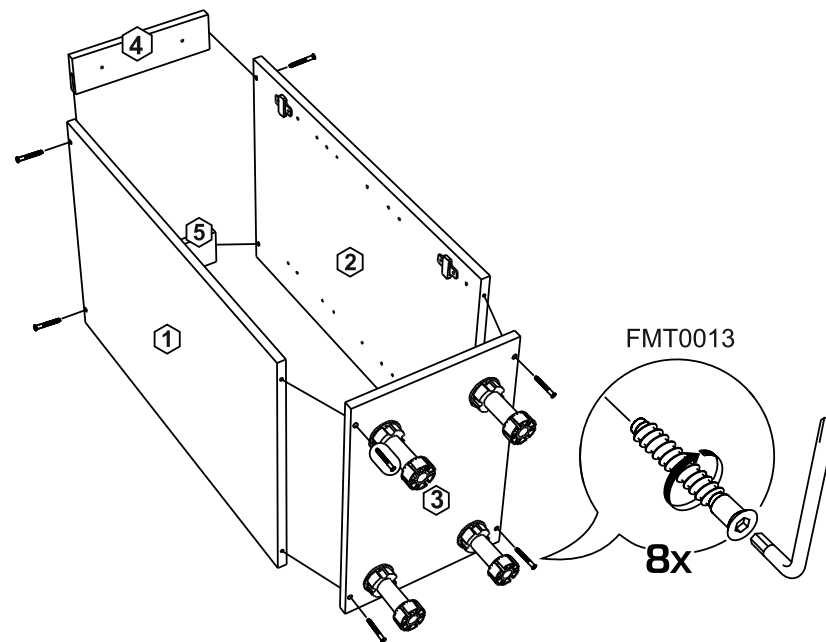
N1800(10)

N1800(19)

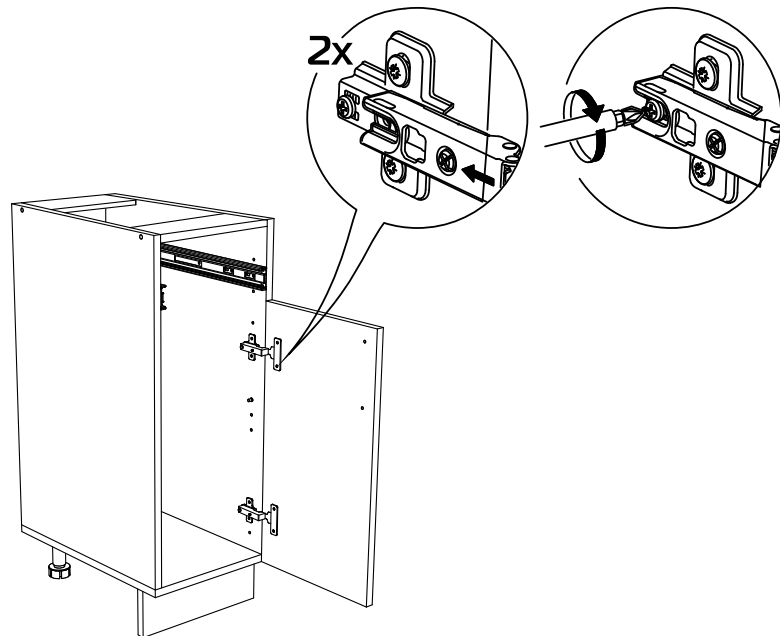
26



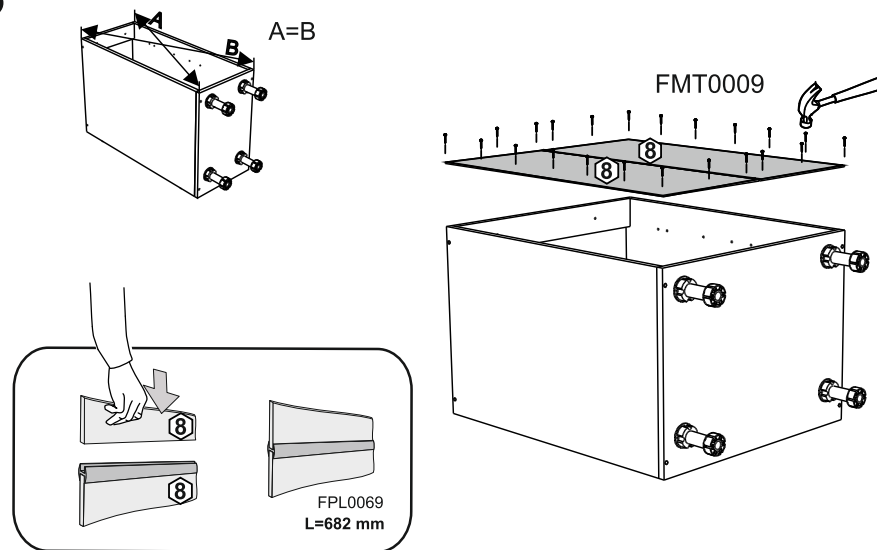
12



27



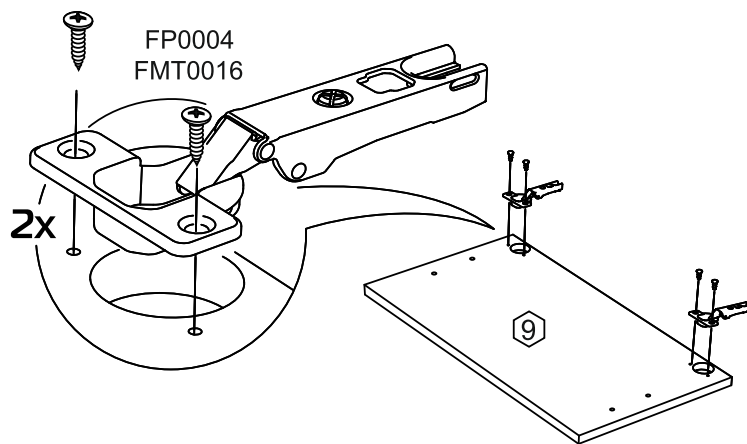
13



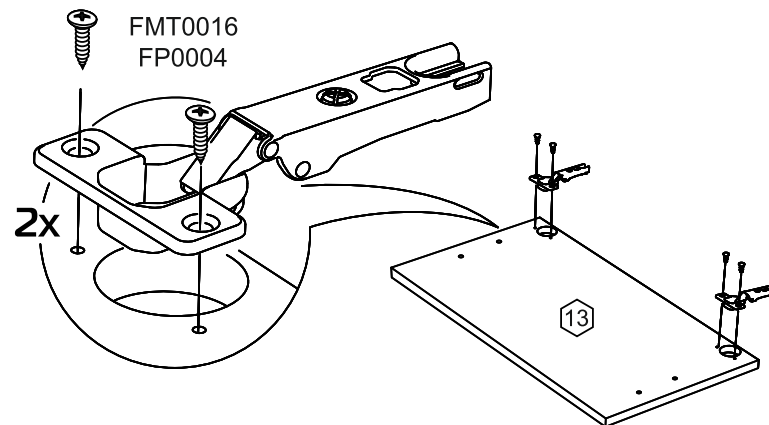
N1800(18)

N1800(11)

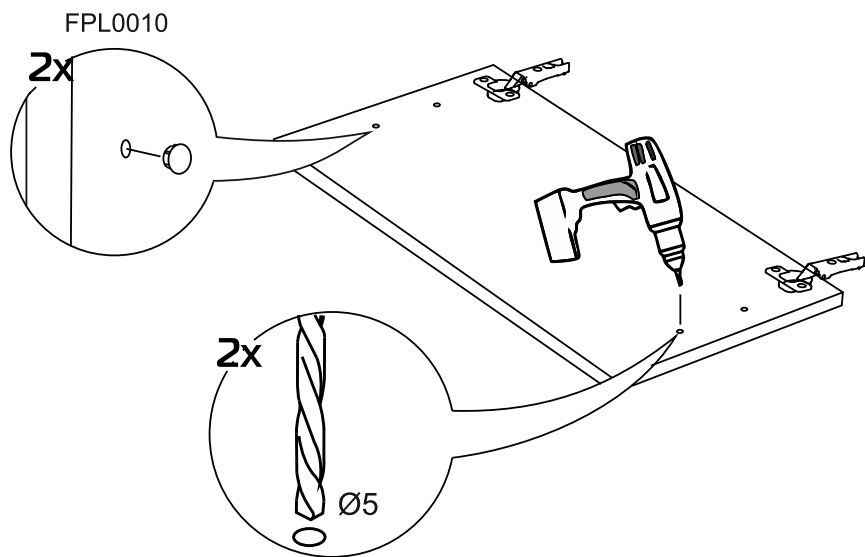
14



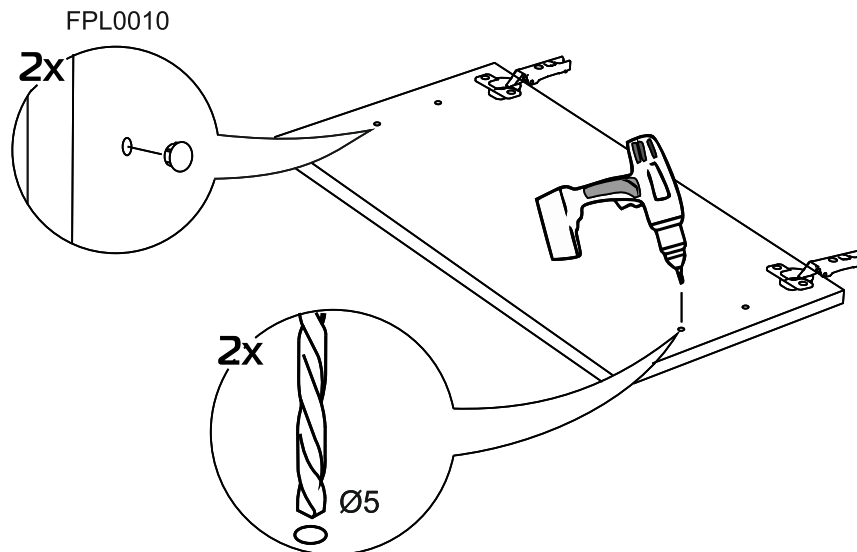
23



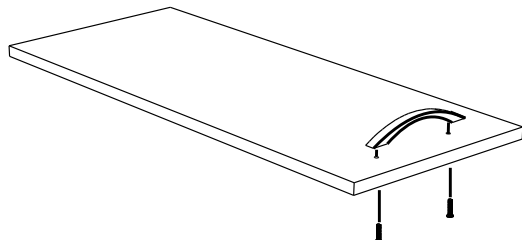
15



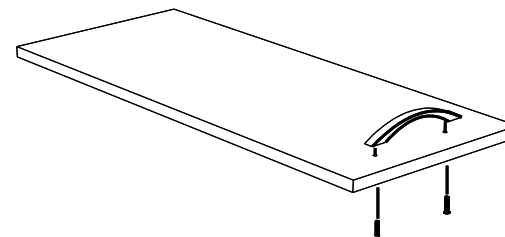
24



16



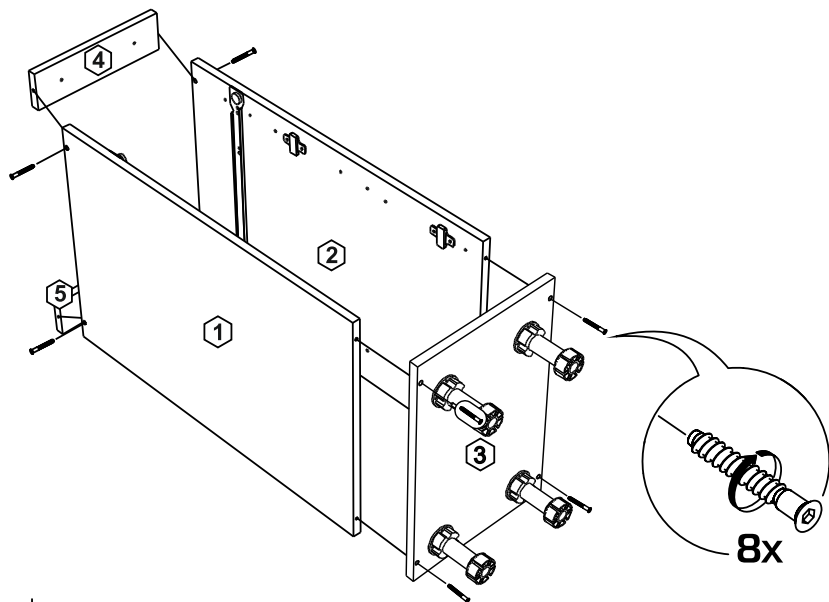
25



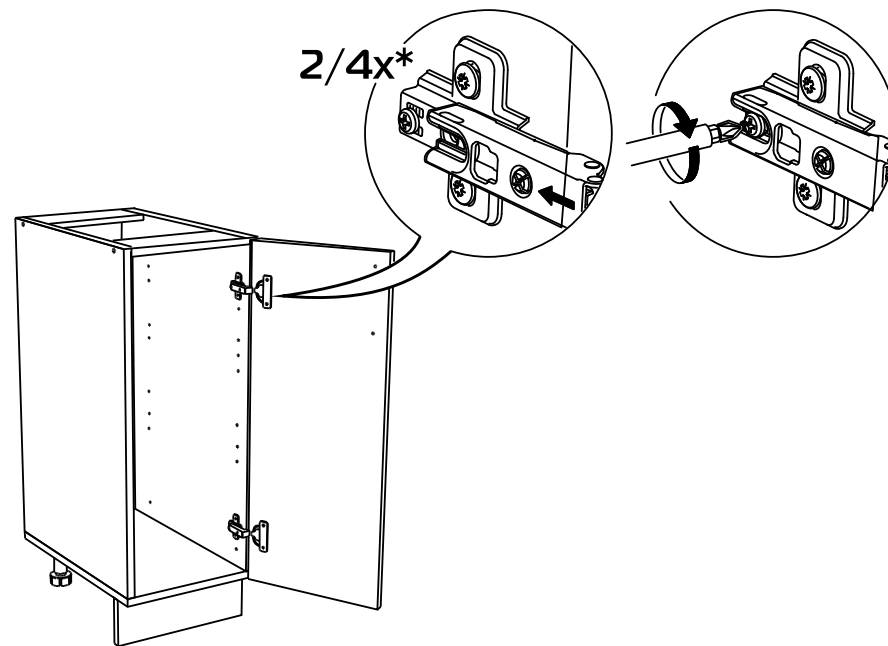
N1800(12)

N1800(17)

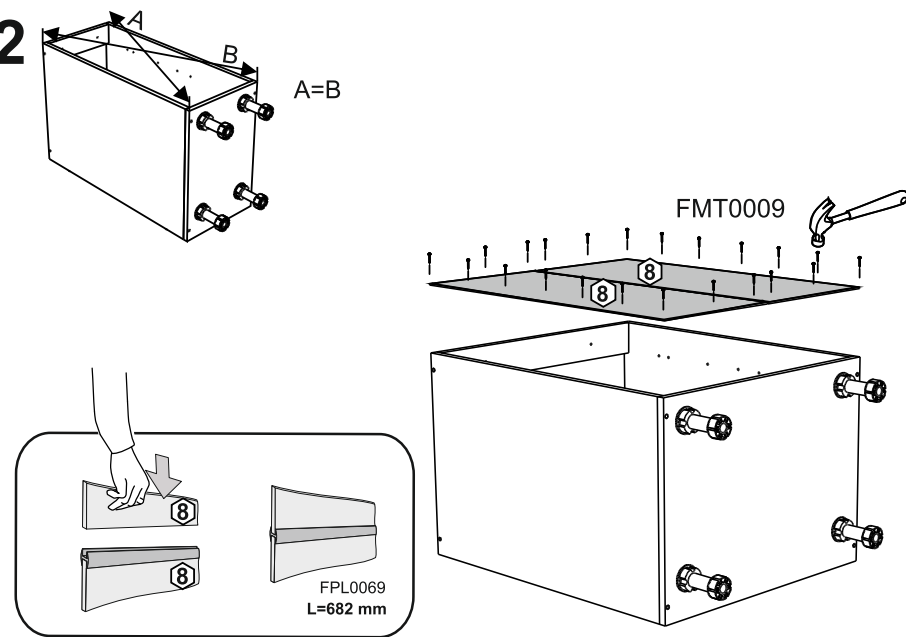
21



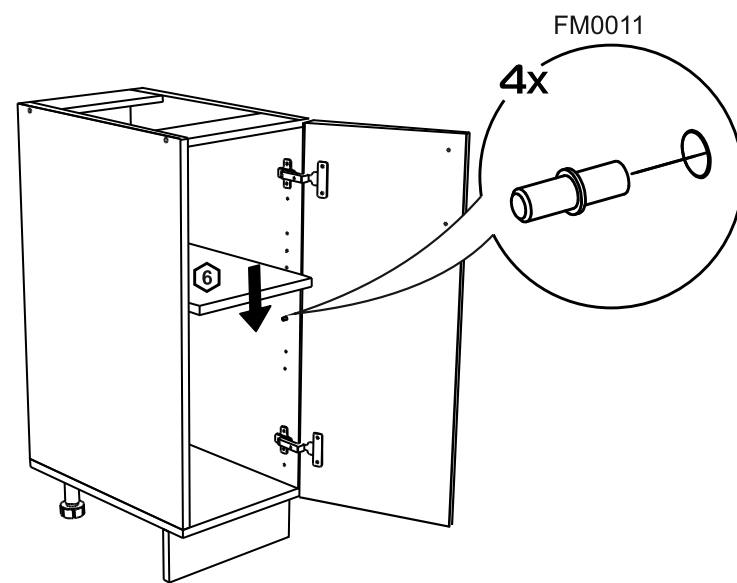
17



22

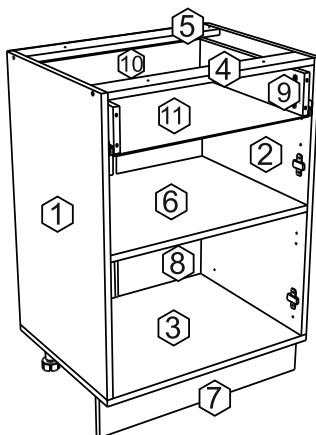


18



N1800(16)

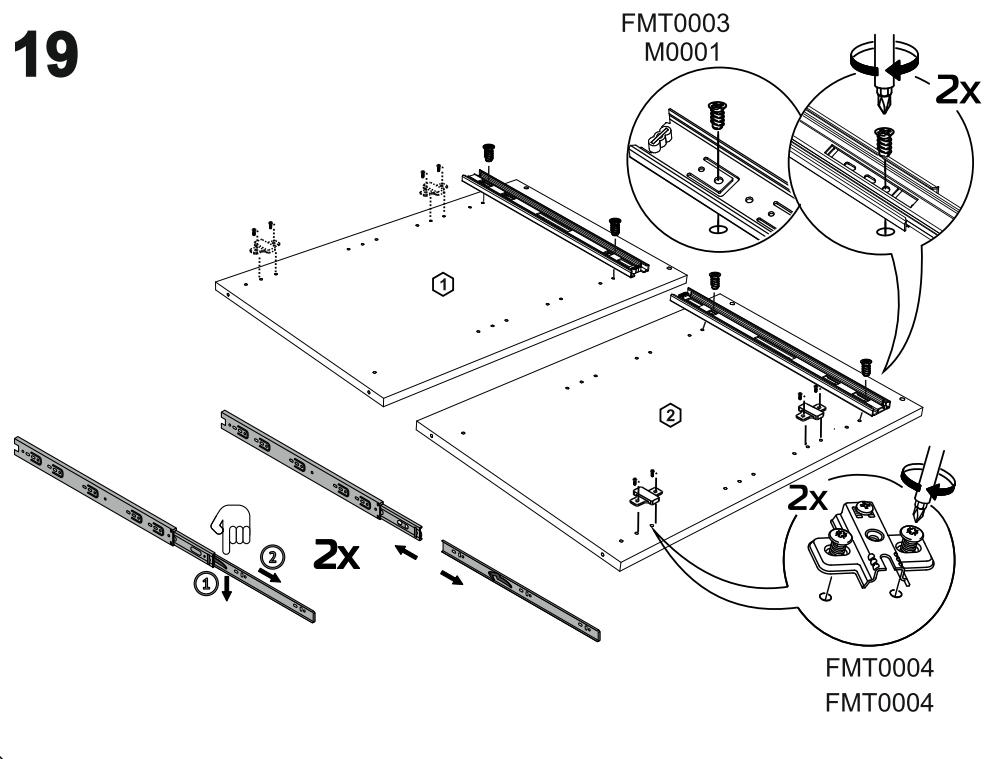
N1800(13)



№	code	a*b	
<b>N401</b>			
1	N300.01	700*458	1
2	N300.02	700*458	1
3	N400.01	400*458	1
4	N400.02	368*74	1
5	N400.03	368*74	1
6	N400.04	368*458	1
7	N400.05	400*100	1
8	V800.03	715*395	1
9	N301.01	450*100	2
10	N401.01	311*100	1
11	N401.02	455*342	1
12	N401.01	156*396	1
13	N401.02	552*396	1

!Внимание! Максимальная нагрузка на ящик составляет 12 кг.  
 !Remember! Total weight of goods in the drawer shouldn't be over 12 kg.

19



20

