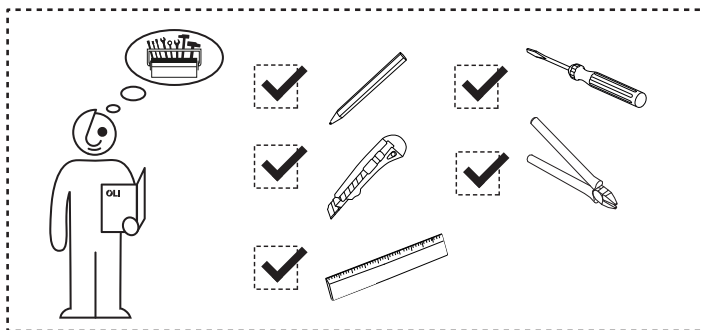
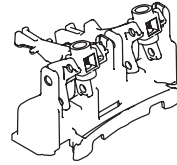


(dimensions in millimeters)



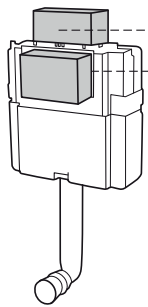
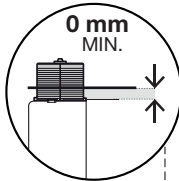
TOP ACTUATION KIT



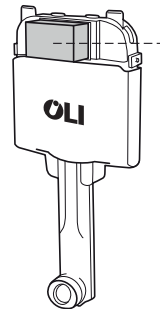
Cod. 211743

EXPERT PLUS

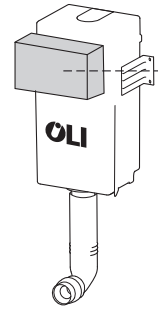
TOP



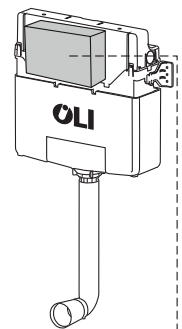
OLI74 PLUS



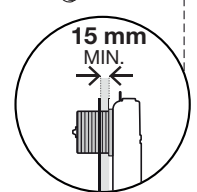
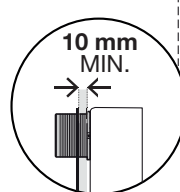
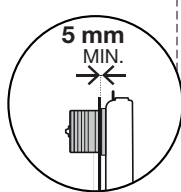
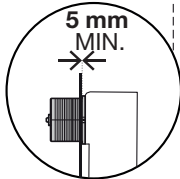
QUADRA PLUS

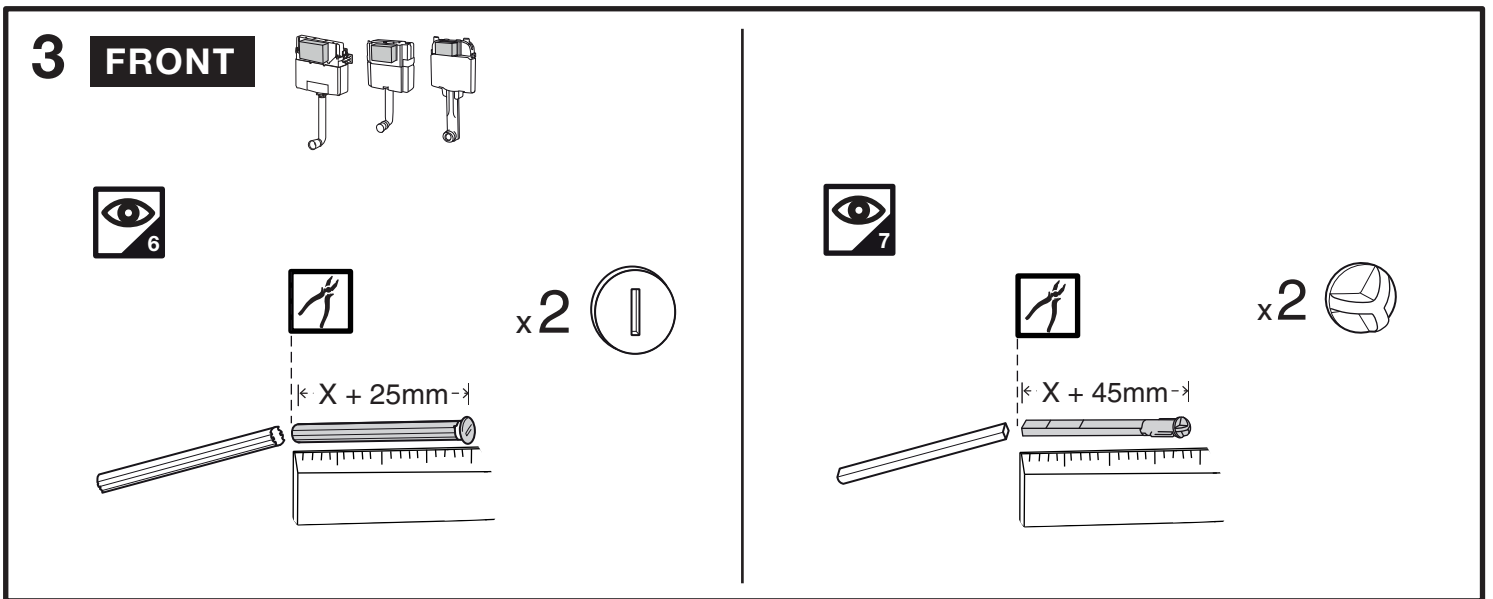
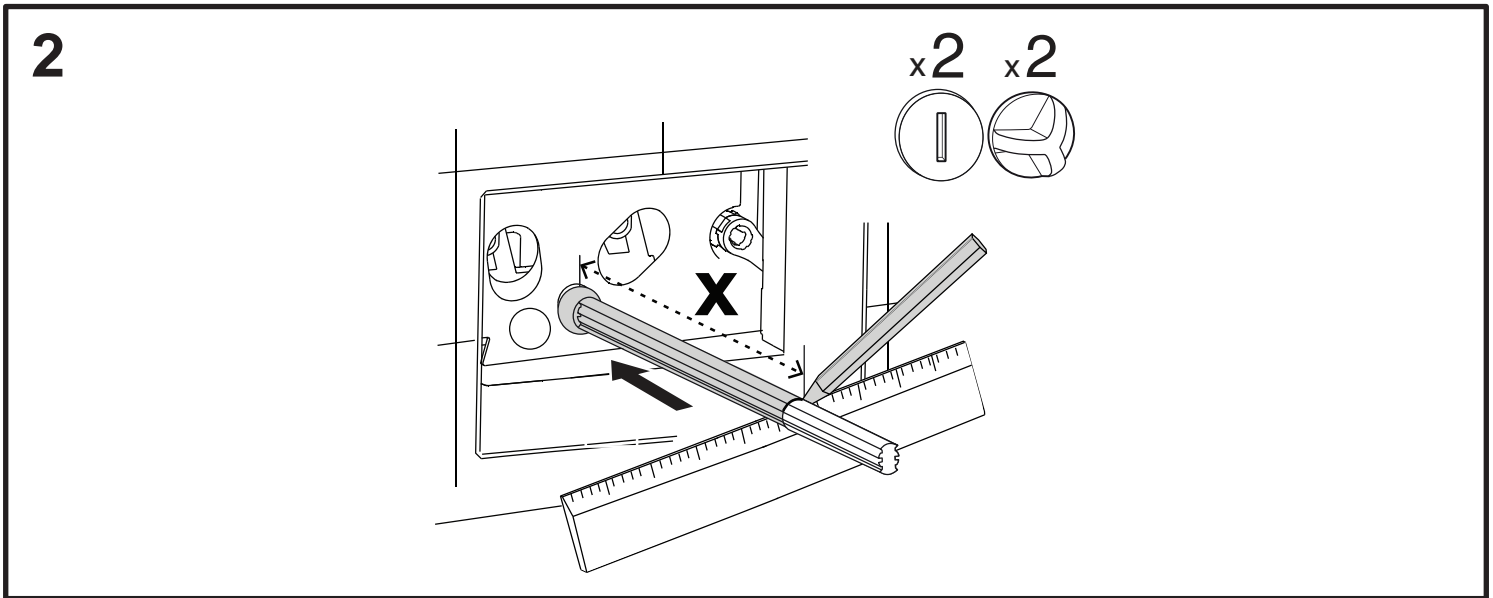
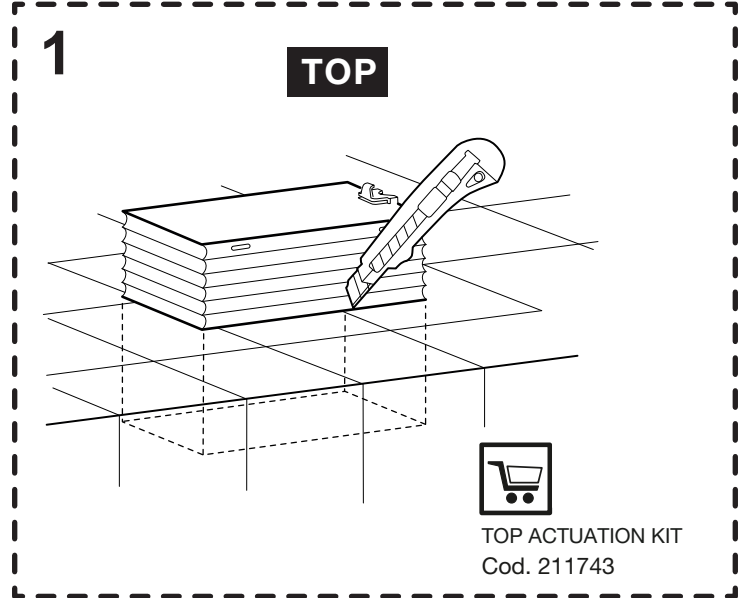
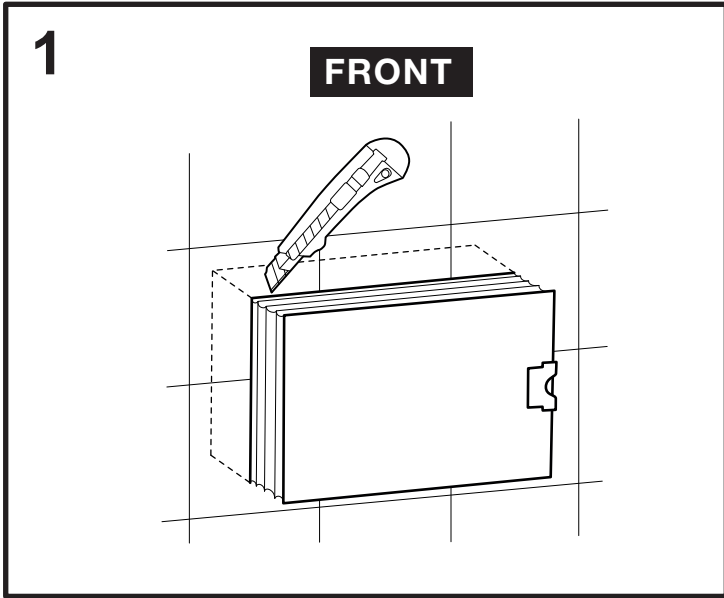


OLI120 PLUS

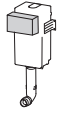


FRONT

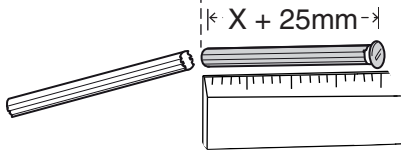




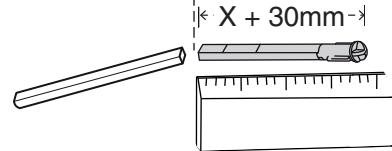
3 FRONT



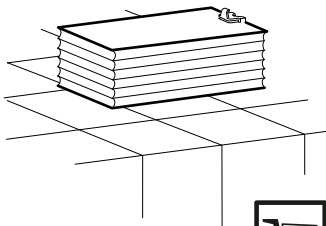
x2



x2



3 TOP



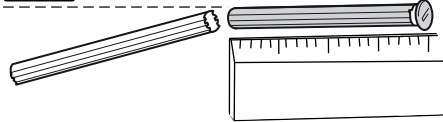
TOP ACTUATION KIT
Cod. 211743



x2



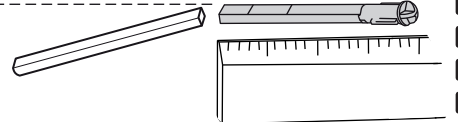
← X + 25mm →



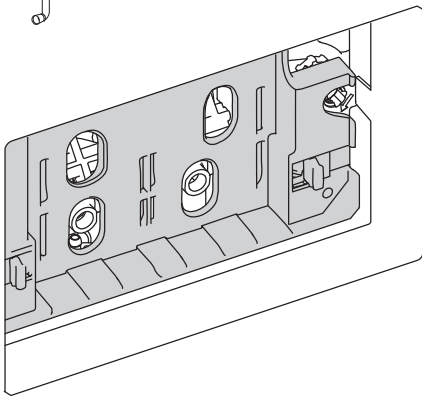
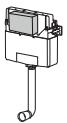
x2



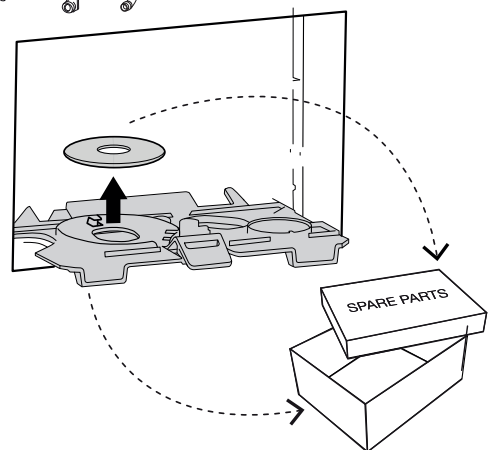
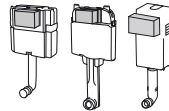
← X + 85mm →



4



4

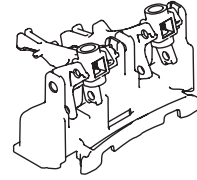




TOP



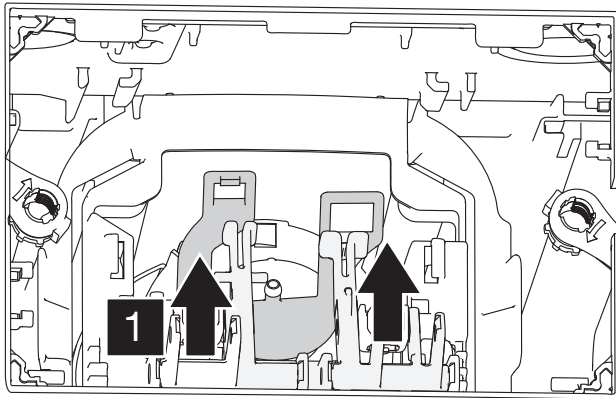
TOP ACTUATION KIT



Cod. 211743

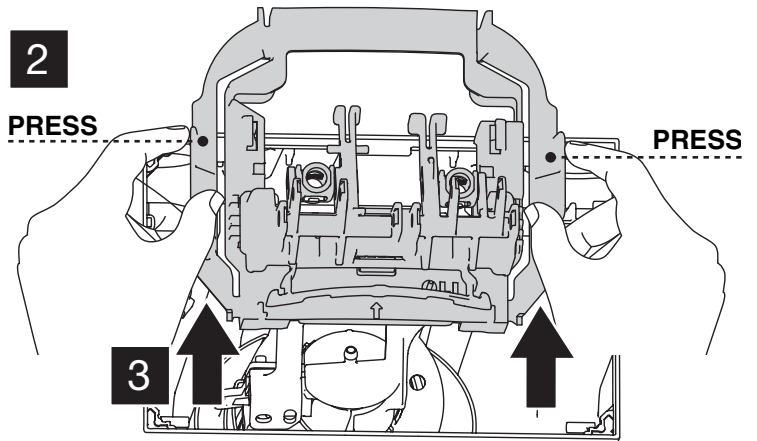


TOP



2

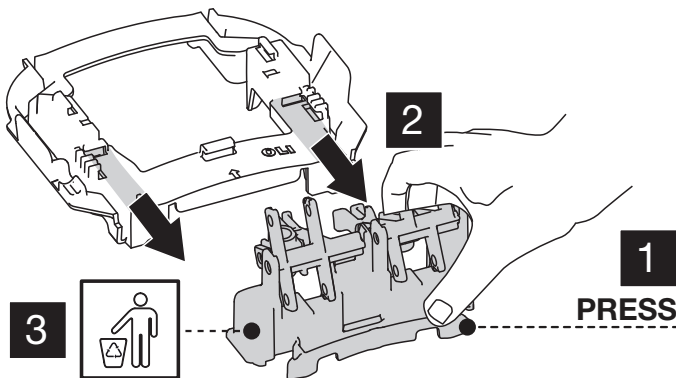
PRESS



PRESS



TOP



1

PRESS



TOP ACTUATION KIT

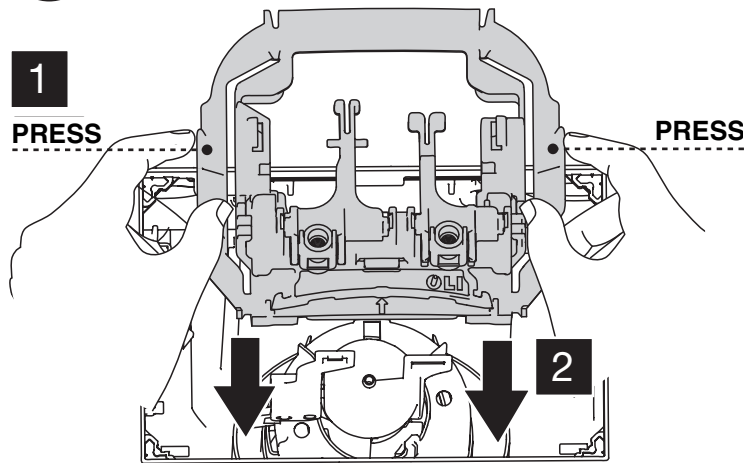
Cod. 211743

PRESS

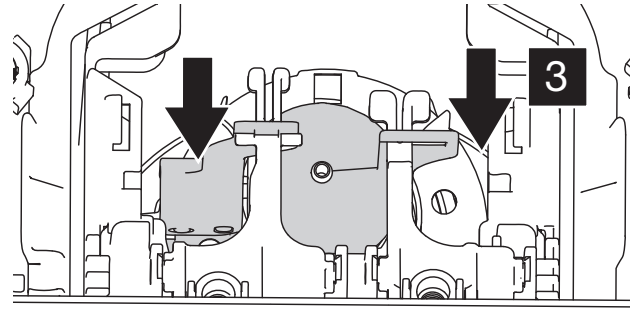


1

PRESS



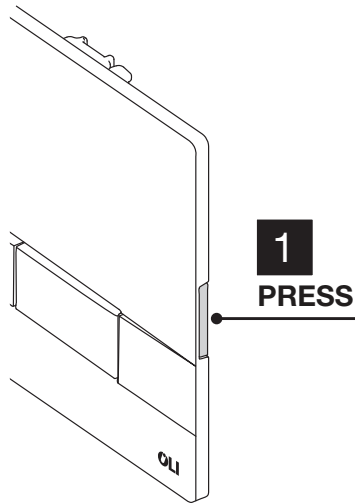
PRESS



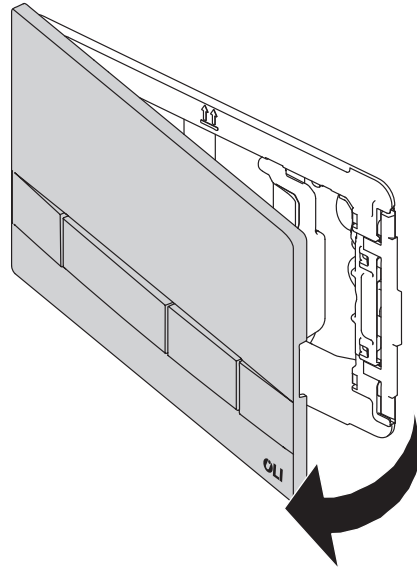
5

1

PRESS

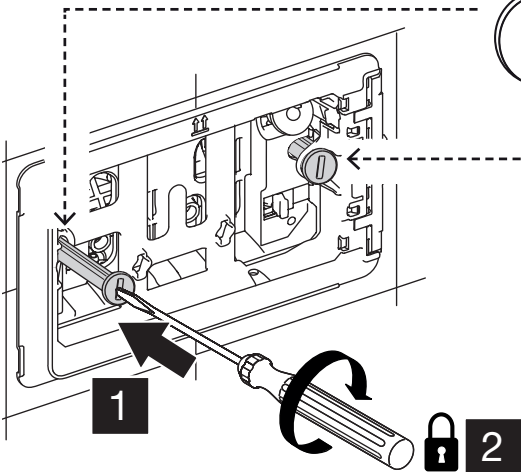


2



6

x 2

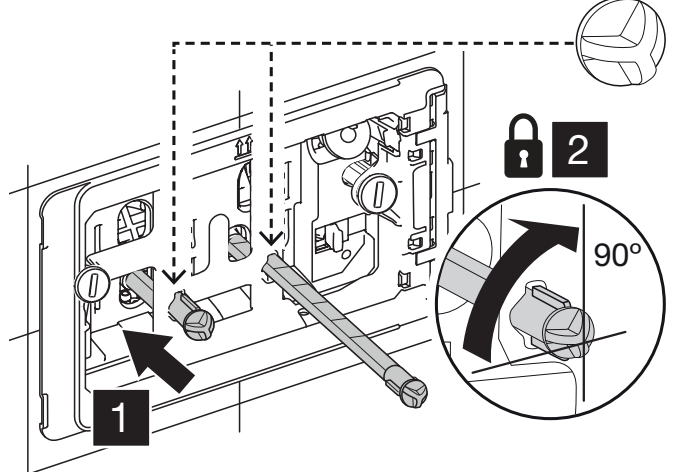


1

2

7

x 2

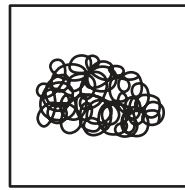
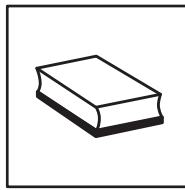
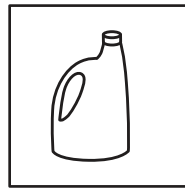
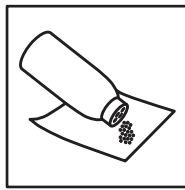
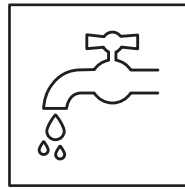
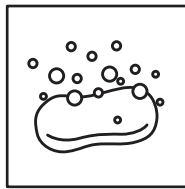
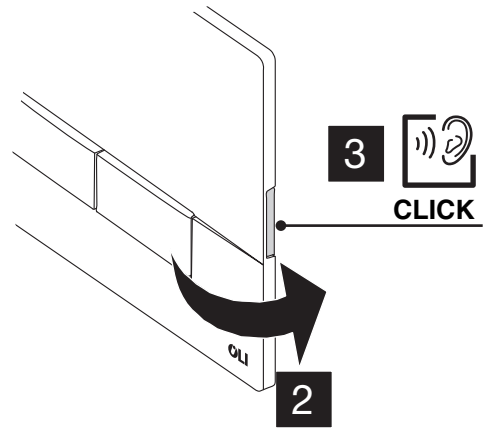
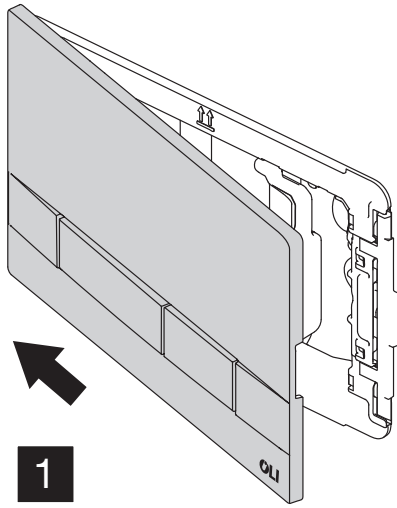


1

2

90°

8



www.oli-world.com

comercial@oli-world.com | info@olisrl.it