

oursson 

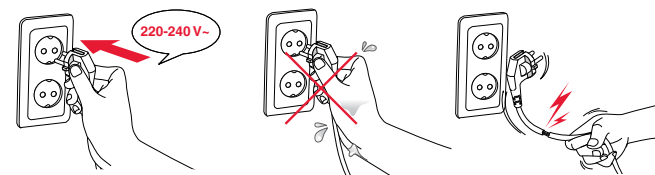
bon appétit



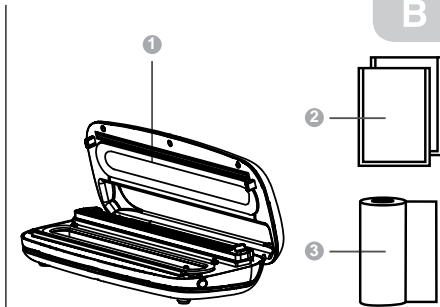
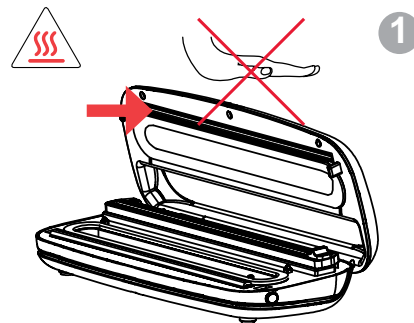
VS0434

EN Instruction manual

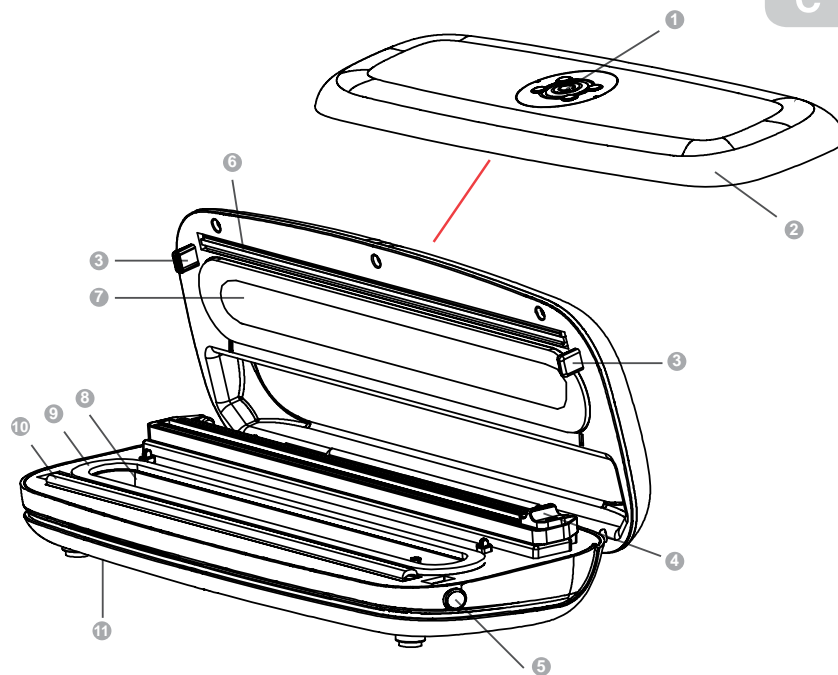
RU Руководство по эксплуатации



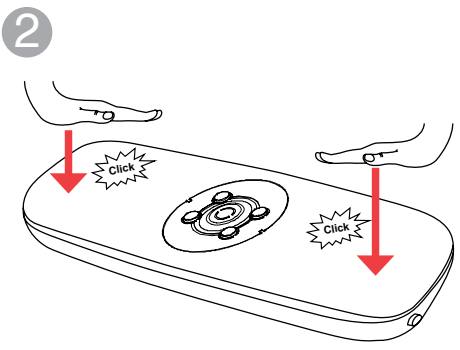
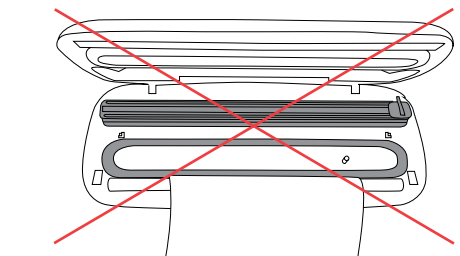
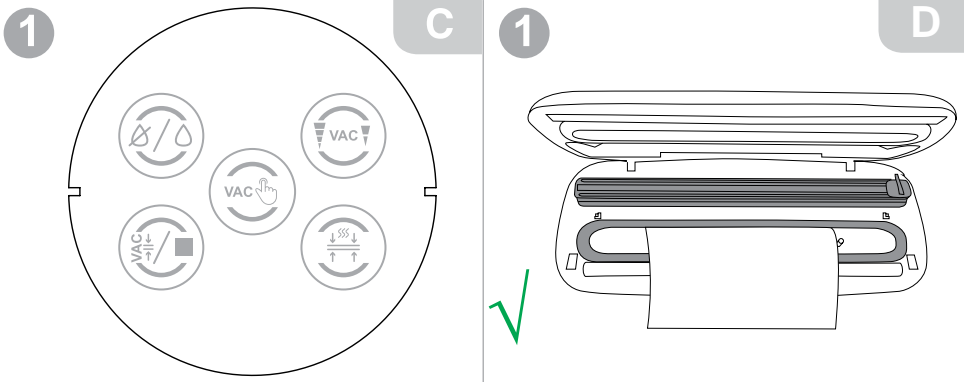
A



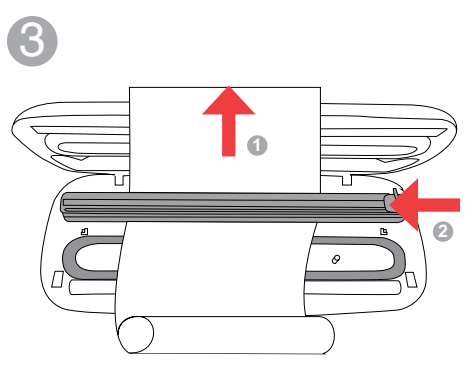
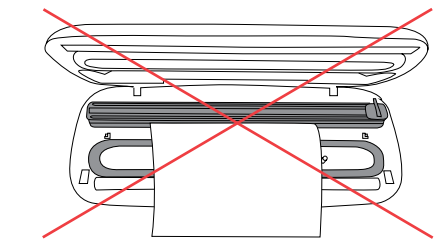
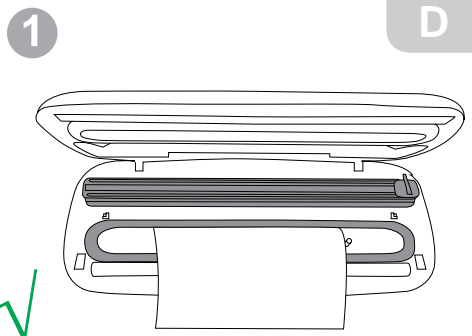
B



C



	X	X	✓



E

SAFETY INSTRUCTIONS, Pic. A

- Danger symbol**
A reminder to user about high voltage.
- Warning symbol**
A reminder to user about the necessity of operating exactly according to the instructions.

When using electrical appliances should take the following precautions:

- Use the device according to the following instructions manual.
- Install the device on a stable surface.
- Use only the tools, which are included in the product set.
 - To protect against risk of electrical shock do not put the cord in water or other liquid. If for some reason the water got into the unit, contact an authorized service center (ASC) OURSSON AG.
- For power supply, use a power grid with proper characteristics.
- Do not use the device in areas where the air can contain vapors of flammable substances.
 - Never attempt to open the device by yourself – it could possibly be the reason of an electrical shock can lead to product malfunction and will invalidate the manufacturer's warranty. For repair and maintenance, contact only authorized service centers meant for repair of products under the trademark OURSSON.
- When moved from a cool to a warm place and vice versa unpack it before use and wait 1-2 hours without turning it on.
 - In order to prevent electrical shock do not immerse the entire product or the wires into the water.
- Be particularly careful and cautious when using the device near children.
- Do not touch any hot parts, as this may cause injury.
- The power cord is specially made relatively short in order to avoid the risk of injury.
- Do not allow the cord to hang over the sharp edge of the table or touch hot surfaces.
- Do not connect this device to a grid which is overloaded with other appliances: it can lead to the fact that the device will not function properly.
- Do not install the device near gas and electric stoves and ovens.
- After use, make sure to disconnect the device from the power grid.
- Keep the device from bumps, falls, vibration and other mechanical influences.
- Make sure to disconnect the device from the power grid before cleaning or changing accessories.
- Do not use the device outdoors.
- This appliance is not intended for use by persons (including children) with reduced physical, sensory or mental capabilities, or lack of experience and knowledge. They can only use the device under the supervision of the person responsible for their safety, or after instruction on the safe use of the de-

- Risk of burn symbol**
Reminder for user of high temperatures

- vice. Do not allow children to play with the product.
- This product is intended only for use in the home.
- If the power cord is damaged, it must be replaced by a specialist from the authorized service center (ASC) OURSSON AG to avoid danger.
- Use only the tools, which are included in the product set.
- When cleaning the appliance do not use abrasives and organic cleaners (alcohol, gasoline, etc.). When cleaning the device it is allowed to use a small amount of neutral detergent.

RECOMMENDATIONS

- Please read the instruction manual before using the device. Keep the manual after reading for further use.
- All illustrations in this manual are schematic representations of real objects, which may differ from the actual images.

Do not leave working device unattended!

- Place the device on a horizontal, flat surface; at a height not reachable by children, leaving free distance around the device to prevent overheating.
 - Bags and rolls for vacuum sealing are not toys. Keep them out of the reach of children.
- Do not move the device during operation.
 - During operation, the device heats up. Do not touch the heating element in the inner surface of the device, Pic. A-1.
- Do not use the device to vacuum liquid products.

The operation of this device in any case does not imply application of any force to it, as this may damage the product due to user fault.

PRODUCT SET, Pic. B

- ① Vacuum sealer 1 pc.
- ② Bag 20x30 cm..... 5 pcs.
- ③ Roll 20x300 cm..... 1 pc.
- Instructions manual 1 pc.
- Guarantee sheet..... 1 pc.

ELEMENTS OF DESIGN, Pic. C

- 1 Control panel
- 2 Lid
- 3 Lid latches
- 4 Build-in blade for cutting rolls
- 5 Lid unlock buttons
- 6 Heating element (sealing tape)
- 7 Upper pressure seal
- 8 Vacuum chamber
- 9 Lower pressure seal
- 10 Silicone gasket
- 11 Cord storage

UTILIZATION

Control panel, Pic. C-1



Dry product vacuum button, short sealing time (upper indication); wet product vacuum button, standart sealing time (lower indication).



Button for automatic vacuum mode with sealing (upper indication); Cancel button (lower indication).



Manual vacuum mode button.



Button for selecting the degree of pumping out air: gentle vacuum for soft products (lower indication); standard vacuum (upper indication).



Button for sealing bags/rolls.

PREPARATION FOR OPERATION

Before first use, wipe the body of the device with a soft, dry cloth. Thoroughly dry all parts. Before assembling or disassembling the device, make sure that the device is unplugged.

ORDER OF OPERATION, Pic. D

1. Open the lid, unlock it by pressing buttons on both sides, if necessary. Plug in the device. Indication will light up.
2. Place foods into the vacuum bag



The maximum width of the vacuum bag must not exceed 30 cm.



For vacuum sealing, use only special bags or rolls. Do not use ordinary plastic bags that are not suitable for vacuum sealing.

3. Place the bag with foods so that its open end reaches the boundary line, Pic. D-1. The end of the bag should be straightened.
4. Lower the lid down and gently push it on both sides until it locks in place, Pic. D-2.
5. If necessary, select the appropriate degree of vacuum by pressing the button: standard vacuum for hard, solid products (upper indication); gentle vacuum for soft, fragile products (lower indication).

If necessary, select the type of products by degree of humidity by pressing button: dry products, like

- cheese, nuts, bread, groats (upper indication); wet products, like berries, fresh meat (lower indication).
6. Press button. Automatic vacuum mode with bag sealing will start.
 7. When the bag is sealed, press the lid release buttons on both sides, then open the lid.



The interval between cycles should be 40 seconds.

NOTE:

To cancel or interrupt vacuum or sealing, press the button.

- After use, unplug the device.



Unlock the lid after use. Do not lock the lid during storage to avoid pressure on the silicone gasket. Keep the device ajar.



When you vacuum wet products, a small amount of liquid may get into the vacuum chamber. Wipe it with a dry cloth or paper towel after every use.

Manual vacuum mode

For sealing fragile, delicate products (for example, fruits, berries, pastries, salads, etc.) it is recommended to use the manual vacuum mode to avoid deformation.

1. After you turned on the device, placed in it open end of the bag with foods and fixated the lid, press and hold button until you see that the required amount of air has been pumped out.
2. Press button to start the sealing process.
3. When the bag is sealed, press the lid release buttons on both sides, then open the lid.

Vacuum roll

1. Take a vacuum roll. Place the open end of the future bag so that it reaches the boundary line, Pic. D-1.
2. Lower the lid down and gently push it on both sides until it locks in place, Pic. D-2.
3. Press button to start the sealing process.
4. When the roll is sealed, press the lid release buttons on both sides, then open the lid.
5. Lift the bar with the build-in knife and insert the sealed end of the roll under it from the side of the vacuum channel. Pull the end of the roll to the required length of the future bag, Pic. D-3-1. The bag should be longer than the size of the sealed product. Lower the bar and slide the knife in the opposite direction to cut the bag. Pic. D-3-2. **It is necessary to cut straight.**



Do not touch the blade of the knife with your hands to prevent cuts.

RECOMMENDATIONS FOR PREPARATION

- Vacuum sealing extends the shelf life of products, but does not replace storage in a refrigerator or freezer. Store short-lived foods in the refrigerator/freezer at an appropriate temperature.
- The storage time in the table is advisory and may vary depending on the initial quality, freshness of the products.

Product	Storage conditions	Shelf life in plain packaging	Shelf life in vacuum sealing
Meat, poultry	Freezer	6 months	2-3 years
Fish/seafood	Freezer	6 months	2-3 years
Coffee beans	Freezer	8 months	2-3 years
Vegetables	Refrigerator	3-6 days	12-13 days
Eggs	Refrigerator	10-15 days	30-50 days
Boiled Meat	Refrigerator	3-5 days	18-20 days
Flour	Storage at room temperature	6 months	1-2 years
Rice	Storage at room temperature	6 months	1-2 years
Dried fruits	Storage at room temperature	2 months	1-2 years
Tea	Storage at room temperature	3 months	1-2 years
Bread	Freezer	9 months	1-3 years
Nuts	Storage at room temperature	6 months	1-2 years
Hard Cheese	Refrigerator	1-2 weeks	4-8 months

- Before vacuum sealing vegetables, it is recommended to blanch them first, then cool in cold water and dry with a paper towel.
- Use fresh and hard mushrooms for vacuum sealing. Before vacuum sealing, it is recommended to wash, cut, blanch and cool them in the freezer.



Do not vacuum seal plain liquids: juices, soft drinks, water, sauces, etc. They must first be frozen or vacuum sealed in a special containers.



Do not vacuum seal sharp objects as they can damage the vacuum bags.

- Fill the bag by no more than 2/3, leaving the open side of the bag free for placement into the vacuum. The open side of the bag should be clean, dry, straightened, without wrinkles.
- Do not put into the bag foods with a lot of liquid. Moisture on the inside of the bag can slow down the sealing process.
- It is recommended that you turn the edges of the bag outward when sealing greasy foods to avoid greasy edges when sealing the bag.

Note:

If the device begins to suck up liquid during the vacuum process, immediately stop operation by pressing the button .

- You can seal in vacuum bags not only products, but also documents, books, first-aid kit, matches, etc.

CLEANING AND MAINTENANCE, Pic. E



Clean all the parts of the device immediately after use.

- Unplug the device. **Let the device cool.**
- Whip the body of the device with a damp soft cloth. Vacuum chamber wipe with a dry cloth.



Never immerse the device in water due to the danger of electric shock.

- If the lower pressure seal got dirty, remove it and rinse in warm water with dishwashing liquid. Wipe dry before reinstalling.
- Vacuum bags can be reused after cleaning. To do this, turn them inside out and rinse in warm water with the addition of dishwashing liquid. Dry thoroughly.

NOTE: You can't reuse bags, which stored raw meat, fish or fatty foods.

- After cleaning, thoroughly dry all the parts of the device.
- **Keep the device ajar to avoid pressure on the silicone sealing. It is recommended to place a cardboard insert under the lid so that there is no snug fit.**

POSSIBLE PROBLEMS AND SOLUTIONS

Possible Problem	Possible Cause	Solutions
Device doesn't turn on	No voltage in the socket.	Unplug the device and wait until the voltage recovers.
The pump in the device is working, but the air from the bag is not completely pumped out or the bag is not sealed	<ul style="list-style-type: none"> The bag is placed incorrectly. There may be food left at the open end of the bag. The device lid is not closed. The other end of the bag is not sealed. 	<ul style="list-style-type: none"> Adjust the bag and try again. Make sure the open end of the bag is inside the vacuum chamber. Check for food debris in the open end of the bag. Remove them if necessary. Verify that the lid is properly closed and locked. Make sure the other end of the bag is completely sealed.
No vacuum in the bag	<ul style="list-style-type: none"> Wrinkles were formed when sealing the bag. Crumbs or grease have fallen into the sealed edge of the bag. 	<ul style="list-style-type: none"> Inspect the sealed end of the bag. If there is a wrinkle, cut the end of the bag, straighten and seal it again. Cut the ends of the bag, wipe the top part and seal it again.
The bag is not sealed	The sealing tape has overheated.	Open the lid and allow the device to cool.

PRODUCT CERTIFICATION

For information on product certification, see <http://www.oursson.com> or ask seller for a copy.

SPECIFICATIONS

Модель	VS0434
Power consumption, W	Max 85
Rated voltage	220-240 V ~ ; 50/60 Hz
Protection class	II
Storing and transportation temperature	from -25°C up +35°C
Operation temperature	from +5°C up +35°C
Humidity Requirements for transportation, storing and operation	15-75% no condensation
Dimensions, mm	374x150x68
Weight, kg	1,18

*The product must be stored in a dry, ventilated storage space at a temperature of at least - 25°C.



Only a qualified specialist of an authorized service center OURSSON AG can repair the juice maker.

PRODUCT CERTIFICATION

For information on product certification, see <http://www.oursson.com> or ask seller for a copy.



Only a qualified specialist from service center must do the repair.

SERVICING

Company OURSSON AG expresses great appreciation to you for choosing our products. We have done everything possible so that this meets your needs, and the quality corresponds to the best world standards. If your OURSSON branded product will need maintenance, please contact one of the authorized service center (hereinafter - ASC). A complete list of ASC and their exact addresses can be found on the website www.oursson.com.

Warranty obligations OURSSON AG:

- Warranty obligations OURSSON AG, provided ASC OURSSON AG, apply only to models designed OURSSON AG for the production or supply and sale within the country where the warranty service is provided, purchased in this country, certified for compliance with the standards of this country, and also marked the with official marks of conformity.
- Warranty obligations OURSSON AG operate within the law on protection of consumer rights and are regulated by the laws of the country in which they are provided, and only when the product is used exclusively for personal, family or household purposes. Warranty obligations OURSSON AG shall not apply to uses of goods for business purposes or in connection with the acquisition of goods to meet the needs of enterprises, institutions and organizations.
- OURSSON AG sets for its products the following terms of use and warranty periods:

Product name	Terms of use, months	Warranty Period, months
Microwave ovens breadmakers, induction hobs, multi-cookers, kitchen processors, electric kettles, electric grills, hand blenders, hand mixers, meat grinders, blenders, toasters, airpots, toasters, juicers, steamers, coffee makers, choppers, freezers, refrigerators, automatic coffee machines, vacuum sealer, kitchen scales	60	24

- Warranty obligations OURSSON AG shall not apply to the following products, if their replacement is assumed and is not connected with disassembling products:
 - Batteries.
 - Cases, straps, cords for carrying, mounting accessories, tools, documentation that came with the product.

- Warranty does not cover defects caused due to violations of the rules of consumer use, storage or transportation of the goods, actions of third parties or force majeure, including but not limited to the following cases:

- If the defect was a result of careless handling, used for other purposes, violations of conditions and rules of operation set forth in the instruction manual, including as a result of exposure to high or low temperatures, high humidity or dust, traces of opening the device independently and/ or self-repair, mismatch state standards for power grids, getting liquids, insects or other foreign objects, substances inside the device, as well as long-term use of the product in extreme operational modes.
 - If the defect of the product was a result of unauthorized attempts to test the product or make any changes in its construction or software programs, including repair or maintenance in unauthorized service centers.
 - If the defect of the product was a result of use of non-standard and/or low quality equipment, accessories, spare parts, batteries.
 - If the defect of the product is associated with its use in conjunction with additional equipment (accessories), other than additional equipment recommended by OURSSON AG for use with this product. OURSSON AG is not responsible for the quality of the additional equipment (accessories) manufactured by third parties, for the quality of its products together with such equipment, as well as the quality of the work of the additional equipment of OURSSON AG together with the products of other manufacturers.
- Product defects detected during the lifetime of the product are eliminated by the authorized service centers (ASC). During the warranty period, elimination of defects is free of charge with the presentation of the original certificate of guarantee and documents that confirm the fact and date of the contract of retail purchase. In the absence of such documents, warranty period is calculated from the date of manufacture of goods. It should be taken into account:
 - Setup and Installation (assembly, the connection, etc.) of the product described in the documentation attached to it, does not enter the scope of warranty OURSSON AG and can be performed by the user as well as the specialists of most authorized service centers on a paid basis.
 - Work upon maintenance of products (cleaning and lubricating the moving parts, replacement of consumables and supplies, etc.) are made on a paid basis.

7. OURSSON AG is not responsible for any damage directly or indirectly caused by their products to people, pets, property, if it occurred as a result of non-observance of the rules and conditions of use, storage, transportation or installation of the product, intentional or negligent actions of consumer or third parties.
8. Under no circumstances, OURSSON AG is not responsible for any special, incidental, indirect or consequential loss or damage, including but not limited to: lost profits, damages caused by interruptions in the commercial, industrial or other activities, arising from the use of or inability to use the product.
9. Due to continuous product improvement, design elements and some technical specifications are subject to change without prior notice from the manufacturer.

Using the product when after the terms of use (lifetime):

1. Lifetime set by OURSSON AG for this product applies only when the product is used exclusively for personal, family or household needs, as well as the consumer observes the correct operation, storage and transportation of products. Under the condition of careful handling of the product and compliance with the rules of operation the actual life may exceed the lifetime set by OURSSON AG.
2. At the end of the product lifetime, you should contact an authorized service center for to conduct a preventive maintenance of the product and determine the suitability for further use. Work on conducting a preventive maintenance of the products is also made in service centers on paid basis.
3. OURSSON AG does not recommend the use of this product after the end of its lifetime without its preventive maintenance by the authorized service center, since in this case, the product can be dangerous to the life, health or property of the consumer.

Product Recycling and Disposal

This appliance has been identified in accordance with the European directive 2002/96/EG on Waste Electrical and Electronic Equipment – WEEE. After the expiration of the lifetime, the product cannot be disposed with another household waste. Instead, it shall be deposited in the appropriate recycling collection point for electrical and electronic equipment for proper treatment and disposal in accordance with federal or local law. By disposing correctly this product, you will help to conserve natural resources and preventing the product from damaging the environment and human health. For more information on the collection point and recycling of this product, please contact your local municipal authorities or the enterprise for household waste disposal.



Date of manufacture

Each product has a unique serial number in the form of alphanumeric row and is duplicated with a barcode that contains the following information: name of the product group, date of manufacture, serial number of the product. group, date of manufacture, serial number of the product.



Serial number is located on the rear of the product, on the package and the warranty card.

- 1 The first two letters-correspondence to the product group (vacuum sealer – VS).
- 2 The first two digits – year of manufacture.
- 3 The second two digits – month of manufacture.
- 4 The last two digits – serial number of product.

To avoid misunderstandings, we highly recommend you to read carefully the instruction manual and the warranty obligations. Check the correctness of the warranty card. Warranty card is valid only if the following are correctly and clearly stated: model, serial number, date of purchase, clear stamps, buyer's signature. The serial number and the model of the device must be the same as in the warranty card. If these conditions are not fulfilled or the data specified in the warranty card was changed, the warranty card is invalid.



If you have questions or problems with OURSSON AG products - please contact us by e-mail: support@oursson.com

This manual is under protection of international and EU copyright law. Any unauthorized use of the instructions, including copying, printing and distribution, but not limited to, involves the application of the guilty person to civil liability and criminal liability.

Contact information:

1. Manufacturer of goods - OURSSON AG (Orson AG), Rue du Grand-Chêne 5, 1003 Lausanne, Switzerland.
2. Certification information product available on the website www.oursson.com.

Made in China



ИНСТРУКЦИЯ ПО БЕЗОПАСНОСТИ, Рис. А



Символ опасности

Напоминание пользователю о высоком напряжении.



Символ предупреждения

Напоминание пользователю о необходимости проведения всех действий в соответствии с инструкцией.

При использовании электрических приборов следует соблюдать следующие меры предосторожности:

- Используйте прибор согласно данному руководству по эксплуатации.
- Устанавливайте прибор на устойчивую поверхность.
- Используйте только приспособления, входящие в комплект устройства.



Чтобы предотвратить риск пожара или удара током, избегайте попадания в устройство воды и эксплуатации устройства в условиях высокой влажности. Если по каким-то причинам вода попала внутрь устройства, обратитесь в уполномоченный сервисный центр (УСЦ) OURSSON AG.

- Для электропитания прибора используйте электросеть с надлежащими характеристиками.
- Не используйте прибор в помещениях, где в воздухе могут содержаться пары легко воспламеняющихся веществ.

Никогда самостоятельно не вскрывайте устройство – это может стать причиной поражения электрическим током, привести к выходу прибора из строя и аннулирует гарантийные обязательства производителя. Для ремонта и технического обслуживания обращайтесь только в сервисные центры, уполномоченные для ремонта изделий торговой марки OURSSON.

- При перемещении устройства из прохладного помещения в теплое и наоборот распакуйте его перед началом эксплуатации и подождите 1-2 часа, не включая.



В целях предотвращения поражения электрическим током не допускайте погружения проводов или всего изделия в воду.

- Будьте особенно осторожны и внимательны, если рядом с работающим прибором находятся дети.
- Не дотрагивайтесь до горячих поверхностей прибора, это может привести к травме.
- Шнур питания специально сделан относительно коротким во избежание риска получения травмы.
- Не допускайте свисания шнура через острый край стола или его касания нагретых поверхностей.
- Не подключайте данный прибор к сети, перегруженной другими электроприборами: это может привести к тому, что прибор не будет функционировать должным образом.
- Не устанавливайте изделие вблизи газовых и электрических плит, а также духовок.
- Не используйте прибор при поврежденном шнуре питания, а также в случаях, если нарушена нормальная работа изделия, если оно падало или было повреждено каким-либо другим образом.
- При отключении изделия от сети держитесь только за вилку, не тяните за провод – это может привести



Символ опасности ожога

Напоминание пользователю о высокой температуре.

к повреждению провода или розетки и вызвать короткое замыкание.

- По окончании использования отключите изделие от сети.
- Оберегайте устройство от ударов, падений, вибраций и иных механических воздействий.
- Обязательно отключайте устройство от сети перед началом мойки.
- Не используйте изделие вне помещений.
- Этот прибор не предназначен для использования людьми (включая детей) с ограниченными физическими, сенсорными или умственными способностями, или нехваткой опыта и знаний. Они могут пользоваться прибором только под наблюдением человека, ответственного за их безопасность, или после инструктажа по безопасному использованию прибора. Не позволяйте детям играть с изделием.
- Настоящее изделие предназначено только для использования в быту.
- Не используйте при чистке прибора абразивные материалы и органические чистящие средства (спирт, бензин и т.д.). Для чистки корпуса прибора допускается использование небольшого количества нейтрального моющего средства.

РЕКОМЕНДАЦИИ

- Перед использованием устройства внимательно ознакомьтесь с руководством пользователя. После чтения, пожалуйста, сохраните его для использования в будущем.
- Все иллюстрации, приведенные в данной инструкции, являются схематичными изображениями реальных объектов, которые могут отличаться от их реальных изображений.



Не оставляйте работающий прибор без присмотра

- Установите прибор на горизонтальной ровной поверхности; на высоте, недосягаемой детьми, оставляя свободное пространство вокруг прибора для предотвращения перегрева.



Пакеты и рулоны для вакуумной упаковки не являются игрушками. Храните их в недоступном для детей месте.

- Не перемещайте прибор во время работы.
- Во время работы прибор нагревается. Не прикасайтесь к нагревательному элементу на внутренней поверхности прибора, Рис.А-1.



Не используйте прибор для вакуумирования жидких продуктов.



Эксплуатация данного прибора ни в коем случае не подразумевает применение к нему физической силы, так как это может привести к поломке изделия по вине пользователя.

КОМПЛЕКТАЦИЯ, Рис. В

1 Вакуумный упаковщик	1 шт.
2 Пакет 20x30 см	5 шт.
3 Рулон 20x300 см	1 шт.
Инструкция по эксплуатации	1 шт.
Гарантийный талон	1 шт.

ЭЛЕМЕНТЫ КОНСТРУКЦИИ, Рис. С

- Панель управления
- Крышка
- Фиксаторы крышки
- Встроенный нож для резки рулонов
- Кнопки разблокировки крышки
- Нагревательный элемент (запечатывающая лента)
- Верхний прижимной уплотнитель
- Вакуумная камера
- Нижний прижимной уплотнитель
- Силиконовая прокладка
- Отсек для хранения шнура

ИСПОЛЬЗОВАНИЕ

Панель управления, Рис. С-1

Кнопка вакуумирования сухих продуктов, короткое время запаивания (верхняя индикация); кнопка вакуумирования влажного продукта, обычное время запаивания (нижняя индикация).

Кнопка автоматического режима вакуумирования с запаиванием (верхняя индикация); кнопка Отмена (нижняя индикация).



Кнопка ручного режима вакуумирования.



Кнопка выбора степени откачки воздуха: щадящее вакуумирование для мягких продуктов (нижняя индикация); стандартное вакуумирование (верхняя индикация).



Кнопка запаивания пакетов/рулонов.

ПОДГОТОВКА К РАБОТЕ

Перед первым использованием протрите корпус прибора слегка влажной и мягкой тканью. Тщательно высушите все детали. **Перед сборкой или разборкой прибора убедитесь, что прибор выключен из розетки.**

Порядок работы, Рис. D

- Откройте крышку прибора, при необходимости разблокируйте ее, нажав с двух сторон на кнопки. Включите вилку прибора в розетку. Загорится индикация.
- Поместите заранее приготовленные продукты в вакуумный пакет.



Максимальная ширина вакуумного пакета не должна превышать 30 см.



Для вакуумной упаковки используйте только специальные пакеты или рулоны. Не используйте обычные полиэтиленовые пакеты, не предназначенные для вакуумной упаковки.

- Положите пакет с продуктами таким образом, чтобы открытый его конец доходил до ограничительной линии, Рис. D-1. Конец пакета должен быть направлен.
- Опустите крышку вниз и аккуратно надавите на нее с двух сторон до фиксации, Рис. D-2.
- При необходимости выберите соответствующую степень вакуумирования, нажав на кнопку (стандартное вакуумирование для твердых, плотных продуктов (верхняя индикация); щадящее вакуумирование для мягких, хрупких, нежных продуктов (нижняя индикация)). При необходимости выберите тип продуктов по степени влажности, нажав на кнопку (сухие продукты, такие как сыр, орехи, хлеб, крупа (верхняя индикация); влажные продукты, такие как ягоды, свежее мясо, (нижняя индикация)).
- Нажмите на кнопку (Начнется автоматический процесс вакуумирования с запаиванием пакета).
- По завершении запаивания пакета нажмите с двух сторон на кнопки разблокировки крышки, затем откройте крышку.



Перерыв между циклами должен составлять 40 сек.

Примечание:

Для отмены или прерывания вакуумирования или запаивания нажмите кнопку (Отмена).

- После окончания работы с прибором отключите его от сети.



Разблокируйте крышку после использования, не защелкивайте ее на время хранения во избежание давления на силиконовую прокладку. Храните прибор в приоткрытом состоянии.



При вакуумировании влажных продуктов большое количество жидкости может попасть в вакуумную камеру. Протрите ее сухой тканью или бумажной салфеткой после каждого использования.

Ручной режим вакуумирования

Для упаковки хрупких, нежных продуктов (например, фруктов, ягод, выпечки, салатов и т.д.) рекомендуется использовать ручной режим вакуумирования во избежание деформации.

- После того как вы выключили прибор, положили в него открытый конец вакуумного пакета с продуктами и зафиксировали крышку, нажмите и удерживайте кнопку (ручной режим) до тех пор, пока не увидите, что необходимое количество воздуха из пакета удалено.
- Нажмите кнопку (ручной режим), чтобы начать процесс запаивания.
- По завершении запаивания пакета нажмите с двух сторон на кнопки разблокировки крышки, затем откройте крышку.

Вакуумный рулон

- Возьмите вакуумный рулон. Положите конец будущего пакета таким образом, чтобы он доходил до ограничительной линии, Рис. D-1.
- Опустите крышку вниз и аккуратно надавите на нее с двух сторон до фиксации, Рис. D-2.
- Нажмите кнопку (ручной режим), чтобы начать процесс запаивания.


- По завершении запаивания рулона нажмите с двух сторон на кнопки разблокировки крышки, затем откройте крышку.
- Приподнимите планку со встроенным ножом и вставьте запаянный конец рулона под нее со стороны вакуумного канала. Протяните конец рулона на необходимую длину будущего пакета, Рис. D-3-1.


РЕКОМЕНДАЦИИ ПО ПРИГОТОВЛЕНИЮ

- Вакуумная упаковка продлевает срок хранения продуктов, но не заменяет хранение в холодильнике или морозильной камере. Храните скоропортящиеся продукты в холодильнике/морозильной камере при соответствующей температуре.

Продукт	Условия хранения	Срок хранения в обычной упаковке	Срок хранения в вакуумной упаковке
Мясо, птица	Морозильная камера	6 мес.	2-3 года
Рыба/морепродукты	Морозильная камера	6 мес.	2-3 года
Кофе в зернах	Морозильная камера	8 мес.	2-3 года
Овощи	Холодильник	3-6 дней	12-13 дней
Яйца	Холодильник	10-15 дней	30-50 дней
Вареное мясо	Холодильник	3-5 дней	18-20 дней
Мука	Хранение при комнатной температуре	6 мес.	1-2 года
Рис	Хранение при комнатной температуре	6 мес.	1-2 года
Сухофрукты	Хранение при комнатной температуре	2 мес.	1-2 года
Чай	Хранение при комнатной температуре	3 мес.	1-2 года
Хлеб	Морозильная камера	9 мес.	1-3 года
Орехи	Хранение при комнатной температуре	6 мес.	1-2 года
Твердый сыр	Холодильник	1-2 нед.	4-8 мес.

- Овощи перед вакуумной упаковкой рекомендуется сначала бланшировать, затем охладить в холодной воде и высушить с помощью бумажного полотенца.
- Грибы используйте для вакуумной упаковки свежие и твердые. Перед упаковкой рекомендуется их промыть, порезать, бланшировать и охладить в морозильной камере.


 **Нельзя вакуумировать чистые жидкости: соки, лимонады, воду, соусы и т.д. Их необходимо предварительно заморозить или вакуумировать в специальных контейнерах.**

 **Не вакуумируйте острые предметы, так как они могут повредить вакуумные пакеты.**

- Заполняйте пакет не более чем на 2/3, оставляя открытую сторону пакета свободной для расположения в вакууматоре. Открытая сторона пакета должна быть чистой, сухой, расправленной, без складок.
- Не помещайте в пакет продукты с большим количеством жидкости. Наличие влаги на внутренней поверхности пакета может замедлить

14

Пакет должен быть длиннее, чем размер упаковываемого продукта. Опустите планку и сдвиньте нож в противоположную сторону, чтобы отрезать пакет, Рис.D-3-2. **Нож необходимо двигать прямо.**


 **Не прикасайтесь к лезвию ножа руками во избежание пореза.**

- Время хранения в таблице носит рекомендательный характер и может отличаться в зависимости от исходного качества, свежести продуктов.

процесс его запечатывания.


- Рекомендуется выворачивать края пакета наружу при упаковке жирных продуктов, чтобы избежать засаливания краев для запечатывания пакета.

Примечание:


Если прибор в процессе вакуумирования начинает всасывать жидкость, немедленно остановите работу, нажав кнопку .

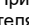
- Вы можете упаковывать в вакуумные пакеты не только продукты, но и документы, книги, аптечку, спички и т.д.

ЧИСТКА И УХОД, Рис. E

 Очищайте все детали прибора сразу после его использования.

- Отключите прибор от сети. **Дайте прибору полностью остыть.**
- Корпус прибора протрите влажной и мягкой тканью. Вакуумную камеру протрите сухой тканью.

 **Никогда не погружайте прибор в воду из-за опасности поражения током.**

- При загрязнении нижнего прижимного уплотнителя  снимите его и промойте в теплой воде с добавлением жидкости для мытья посуды. Протрите насухо, прежде чем установить обратно.
- Пакеты для вакуумной упаковки можно использовать повторно после очистки. Для этого выверните их наизнанку и промойте в теплой воде с добавлением жидкости для мытья посуды. Тщательно высушите.

Примечание: Пакеты, в которых хранили сырое мясо, рыбу или жирные продукты, повторно использовать нельзя.

ВОЗМОЖНЫЕ НЕПОЛАДКИ И СПОСОБЫ ИХ УСТРАНЕНИЯ

Возможная проблема	Возможная причина	Способы решения
Прибор не включается	Отсутствует напряжение в сети электропитания.	Отключите прибор от сети электропитания и дождитесь нормализации напряжения.
Насос в приборе работает, но воздух из пакета не полностью откачивается или пакет не запаивается	<ul style="list-style-type: none"> Неправильно расположен пакет. Возможно, в открытом конце пакета остались остатки пищи. Не закрыта крышка прибора. Второй конец пакета не герметичен. 	<ul style="list-style-type: none"> Отрегулируйте пакет и попробуйте снова. Убедитесь, что открытый конец пакета находится внутри вакуумной камеры. Проверьте наличие остатков пищи в открытой части пакета. Удалите их при необходимости. Убедитесь, что крышка правильно закрыта и заблокирована. Убедитесь, что второй конец пакета полностью запечатан.
Вакуум не сохраняется в пакете	<ul style="list-style-type: none"> Образовалась складка при запаивании пакета. Попали крошки или жир в запаиваемый край пакета. 	<ul style="list-style-type: none"> Осмотрите запечатанный конец пакета. При наличии складки обрежьте край пакета, расправьте и запечатайте снова. Обрежьте край пакета, протрите верхнюю часть и запечатайте снова.
Пакет на запаивается	Перегрелась запечатывающая лента.	Откройте крышку и дайте прибору остыть

СЕРТИФИКАЦИЯ ПРОДУКЦИИ

Информацию о сертификате соответствия смотрите на сайте <http://www.oursson.com/rus/ru/about/partners/certificates/#tab0> или спрашивайте копию у продавца.

Технические характеристики	
Модель	VS0434
Максимальная потребляемая мощность, Вт	Max 85
Параметры электропитания	220-240 В ~ ; 50/60Гц
Класс защиты от поражения электрическим током	II
Температура хранения и транспортировки	от -25°C до +35°C
Температура эксплуатации	от +5°C до +35°C
Требования к влажности воздуха при транспортировке, хранении и эксплуатации	15-75% без образования конденсата
Размер прибора, мм	374x150x68
Вес прибора, кг	1,18

***Продукция должна храниться в сухих, проветриваемых складских помещениях при температуре не ниже - 25°C.**

 **Ремонт прибора должен производиться только квалифицированным специалистом уполномоченного сервисного центра OURSSON AG.**

15

СЕРВИСНОЕ ОБСЛУЖИВАНИЕ

Компания OURSSON AG выражает вам огромную признательность за выбор нашей продукции. Мы сделали все возможное, чтобы данное изделие удовлетворяло вашим запросам, а качество соответствовало лучшим мировым образцам. В случае, если ваше изделие марки OURSSON будет нуждаться в техническом обслуживании, просим вас обращаться в один из Уполномоченных Сервисных Центров (далее – УЦЦ). С полным списком УЦЦ и их точными адресами вы можете ознакомиться на сайте www.oursson.ru, а также позвонив по номеру телефона бесплатной горячей линии OURSSON AG.

В случае возникновения вопросов или проблем, связанных с продукцией OURSSON AG, просим вас обращаться в письменном виде в организацию, уполномоченную на принятие и удовлетворение требований потребителей в отношении товара ненадлежащего качества, либо по электронной почте info@oursson.ru.

Условия Гарантийных обязательств OURSSON AG:

- Гарантийные обязательства OURSSON AG, предоставляемые УЦЦ OURSSON AG, распространяются только на модели, предназначенные OURSSON AG для производства или поставок и реализации на территории страны, где предоставляется гарантийное обслуживание, приобретенные в этой стране, прошедшие сертификацию на соответствие стандартам этой страны, а также маркированные официальными знаками соответствия.
- Гарантийные обязательства OURSSON AG действуют в рамках законодательства о защите прав потребителей и регулируются законодательством страны, на территории которой они предоставлены, и только при условии использования изделия исключительно для личных, семейных или домашних нужд. Гарантийные обязательства OURSSON AG не распространяются на случаи использования товаров в целях осуществления предпринимательской деятельности либо в связи с приобретением товаров в целях удовлетворения потребностей предприятий, учреждений, организаций.
- OURSSON AG устанавливает на свои изделия следующие сроки службы и гарантийные сроки:

Название продукта	Срок службы, месяцев со дня покупки	Гарантийный срок, месяцев со дня покупки
Микроволновые печи, хлебопечи, индукционные плиты	60	12
Мультиварки, кухонные процессоры, кухонные машины, электрические чайники, электрические грили, блендеры, миксеры, мясорубки, тостеры, термопоты, ростеры, кофеварки, пароварки, соковыжималки, измельчители, дегидраторы, йогуртницы,	36	12

Название продукта	Срок службы, месяцев со дня покупки	Гарантийный срок, месяцев со дня покупки
ферментаторы, минидуховки, морозильники, холодильники, автоматические кофемашины, вспениватели, вакууматоры	36	12
Кухонные весы, сифоны	24	12

- Гарантийные обязательства OURSSON AG не распространяются на перечисленные ниже принадлежности изделия, если их замена предусмотрена конструкцией и не связана с разборкой изделия:
 - Элементы питания.
 - Чехлы, ремни, шнуры для переноски, монтажные приспособления, инструмент, документацию, прилагаемую к изделию.
- Гарантия не распространяется на недостатки, возникшие в изделии вследствие нарушения потребителем правил использования, хранения или транспортировки товара, действия третьих лиц или непреодолимой силы, включая, но не ограничиваясь следующими случаями:
 - Если недостаток товара явился следствием небрежного обращения, применения товара не по назначению, нарушения условий и правил эксплуатации, изложенных в инструкции по эксплуатации, в том числе вследствие воздействия высоких или низких температур, высокой влажности или запыленности, следах вскрытия корпуса прибора и/или самостоятельного ремонта, несоответствия Государственным стандартам параметров питающих сетей, попадания внутрь корпуса жидкости, насекомых и других посторонних предметов, веществ, а также длительного использования изделия в предельных режимах его работы.
 - Повреждения и дефекты, вызванные качеством воды и отложением накипи (очистка от накипи и чистка не входит в гарантийное обслуживание и должна РЕГУЛЯРНО производиться Вами самостоятельно).
 - Если недостаток товара явился следствием несанкционированного тестирования товара или попыток внесения любых изменений в его конструкцию или его программное обеспечение, в том числе ремонта или технического обслуживания в неуполномоченной OURSSON AG ремонтной организации.
 - Если недостаток товара явился следствием использования нестандартных (нетиповых) и (или) некачественных принадлежностей, аксессуаров, запасных частей, элементов питания.
 - Если недостаток товара связан с его применением совместно с дополнительным оборудованием (аксессуарами), отличным от дополнительного оборудования, рекомендованного OURSSON AG к применению с данным товаром. OURSSON AG не несет ответственность за качество

дополнительного оборудования (аксессуаров), произведенного третьими лицами, за качество работы своих изделий совместно с таким оборудованием, а также за качество работы дополнительного оборудования производства компании OURSSON AG совместно с изделиями других производителей.

- Недостатки товара, обнаруженные в период срока службы, устраняются уполномоченными на это ремонтными организациями (УЦЦ). В течение гарантийного срока устранение недостатков производится бесплатно при предъявлении оригинала заполненного гарантийного талона и документов, подтверждающих факт и дату заключения договора розничной купли-продажи (товарный, кассовый чек и т. п.). В случае отсутствия указанных документов гарантийный срок исчисляется со дня изготовления товара. При этом следует учитывать:
 - Настройка и установка (сборка, подключение и т. п.) изделия, описанная в документации, прилагаемой к нему, не входит в объем гарантийных обязательств OURSSON AG и могут быть выполнены как самим пользователем, так и специалистами большинства уполномоченных сервисных центров соответствующего профиля на платной основе.
 - Работы по техническому обслуживанию изделий (чистка и смазка движущихся частей, замена расходных материалов и принадлежностей и т. п.) производятся на платной основе.
- OURSSON AG не несет ответственности за возможный вред, прямо или косвенно нанесенный своей продукцией людям, домашним животным, имуществу в случае, если это произошло в результате несоблюдения правил и условий эксплуатации, хранения, транспортировки или установки изделия; умышленных или неосторожных действий потребителя или третьих лиц.
- Ни при каких обстоятельствах OURSSON AG не несет ответственности за какой-либо особый, случайный, прямой или косвенный ущерб или убытки, включая, но не ограничиваясь перечисленным, упущенную выгоду, убытки, вызванные перерывами в коммерческой, производственной или иной деятельности, возникающие в связи с использованием или невозможностью использования изделия.
- Вследствие постоянного совершенствования продукции элементы дизайна и некоторые технические характеристики продукта могут быть изменены без предварительного уведомления со стороны производителя.

Использование изделия по истечении срока службы

- Срок службы, установленный OURSSON AG для данного изделия, действует только при условии использования изделия исключительно для личных, семейных или домашних нужд, а также соблюдении потребителем правил эксплуатации, хранения и транспортировки изделия. При условии аккуратного обращения с изделием и соблюдения правил эксплуатации фактический срок службы может превышать срок службы, установленный OURSSON AG.

- По окончании срока службы изделия вам необходимо обратиться в Уполномоченный сервисный центр для проведения профилактического обслуживания изделия и определения его пригодности к дальнейшей эксплуатации. Работы по профилактическому обслуживанию изделия и его диагностике выполняются сервисными центрами на платной основе.
- OURSSON AG не рекомендует продолжать эксплуатацию изделия по окончании срока службы без проведения его профилактического обслуживания в Уполномоченном сервисном центре, т. к. в этом случае изделие может представлять опасность для жизни, здоровья или имущества потребителя.

Утилизация изделия

Этот бытовой электроприбор имеет обозначение согласно требованиям Директивы ЕС 2002/96/EG об отслуживших свой срок электрических и электронных приборах (waste electrical and electronic equipment – WEEE). После окончания срока службы изделия его нельзя выбрасывать вместе с обычным бытовым мусором. Вместо этого оно подлежит сдаче на утилизацию в соответствующий пункт приема электрического и электронного оборудования для последующей переработки и утилизации в соответствии с федеральным или местным законодательством. Обеспечивая правильную утилизацию данного продукта, вы помогаете сэкономить природные ресурсы и предотвращаете ущерб для окружающей среды и здоровья людей, который возможен в случае ненадлежащего обращения. Более подробную информацию о пунктах приема и утилизации данного продукта можно получить в местных муниципальных органах или на предприятии по вывозу бытового мусора.



Дата производства

Каждому изделию присваивается уникальный серийный номер в виде буквенно-цифрового ряда и дублируется штрих-кодом, который содержит следующую информацию: название товарной группы, дату производства, порядковый номер изделия. Серийный номер располагается на задней панели продукта, на упаковке и в гарантийном талоне.



Серийный номер располагается на задней панели продукта, на упаковке и в гарантийном талоне.

- Первые две буквы – соответствие товарной группе (вакууматор – VS).
- Первые две цифры – год производства.
- Вторые две цифры – месяц производства.
- Последние цифры – порядковый номер изделия.



Во избежание недоразумений убедительно просим вас внимательно изучить Руководство по эксплуатации изделия и условия гарантийных обязательств, проверить правильность заполнения гарантийного талона. Гарантийный талон действителен только при наличии правильно и четко указанных: модели, серийного номера изделия, даты покупки, четких печатей фирмы-продавца, подписи покупателя. Серийный номер и модель изделия должны соответствовать указанным в гарантийном талоне. При нарушении этих условий, а также в случае, когда данные, указанные в гарантийном талоне, изменены или стерты, талон признается недействительным.

forum.oursson.ru



Скачайте мобильное приложение с рецептами к технике Oursson



oursson

Горячая линия OURSSON AG обеспечивает полную информационную поддержку деятельности компании в России, странах СНГ и Балтии. Профессиональные операторы быстро ответят на любой интересующий вас вопрос. Вы можете обращаться в единый центр по вопросам сервисного сопровождения, для рекомендаций специалистов по настройке и подключению, для информирования о местах продаж, с вопросами о рекламных акциях и розыгрышах, проводимых компанией, а также с любыми другими вопросами о деятельности компании на территории России, стран СНГ и Балтии.

Есть вопросы? Звоните, мы поможем!

Телефон горячей линии OURSSON AG (бесплатные звонки со стационарных телефонов):

8 800 100 8 708

Время работы горячей линии:

понедельник-пятница с 10:00 до 20:00 (по московскому времени); без выходных, 7 дней в неделю.

Настоящая инструкция является объектом охраны в соответствии с международным и российским законодательством об авторском праве. Любое несанкционированное использование инструкции, включая копирование, тиражирование и распространение, но не ограничиваясь этим, влечет применение к виновному лицу гражданско-правовой ответственности, а также уголовной ответственности в соответствии со статьей 146 УК РФ и административной ответственности в соответствии со статьей 7.12 КоАП РФ (ст.150.4 КоАП в старой редакции).

Контактная информация:

1. Изготовитель товара – OURSSON AG (OPCON AG), Ул. Гран-Шен 5, 1003 Лозанна, Швейцария.
2. Организация, уполномоченная на принятие и удовлетворение требований потребителей в отношении товара ненадлежащего качества (уполномоченное производителем лицо), – ООО «OPCON», 125445, Москва, Ленинградское шоссе, д. 65, стр. 3.
3. Информация о сертификации продукта доступна на сайте www.oursson.com.
4. Импортёр продукции OURSSON AG: РФ и/или страны ETC: смотрите информацию на упаковке товара..

OURSSON AG
Сделано в КНР



18

www.oursson.com

