

ASSEMBLY INSTRUCTION

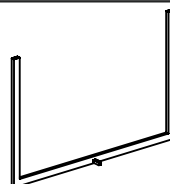
A-1PC



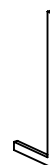
B-1PC



C-1PC



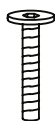
D-1PC



E-2PCS



F-3PCS



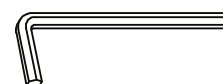
G-1PC



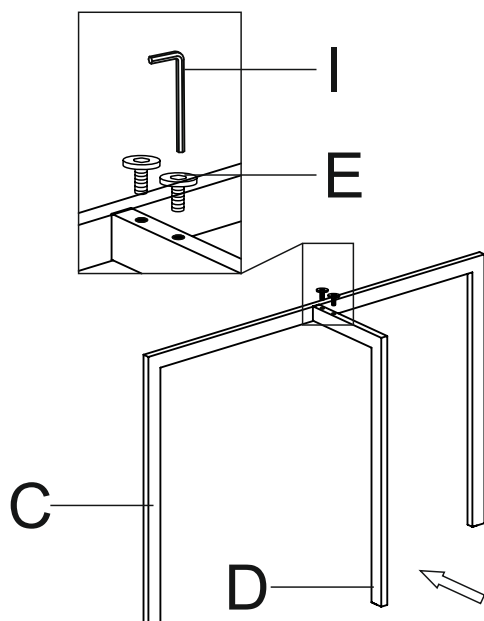
H-3PCS



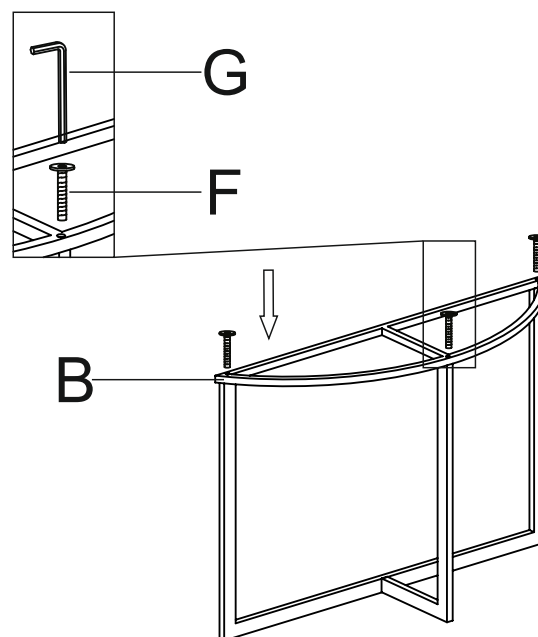
I-1PC



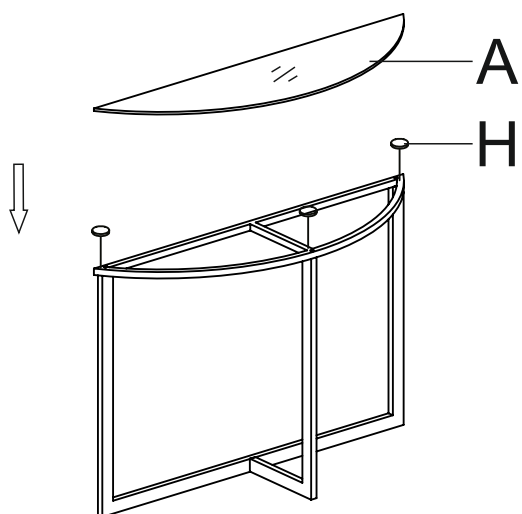
1



2



3



4

