

DHI-SSD-C800A

2.5" SATA Solid State Drive



- Adopts high-quality wafer level chip
- Supports SATA III protocol with transmission speed up to 550 MB/s
- View information through S.M.A.R.T
- Provides better read and write performance with TRIM and NCQ
- Low power consumption management

System Overview

As a new generation of 2.5" SSD product launched by Dahua, DHI-SSD-C800A series adopts high-quality 3D wafer level chip and high-performance controller. It is consumer-grade solid state drive designed for personal desktops and notebooks. The product can process data efficiently and ensure quick start-ups. In multi-tasking, it can ensure high speed and stability.

Scene

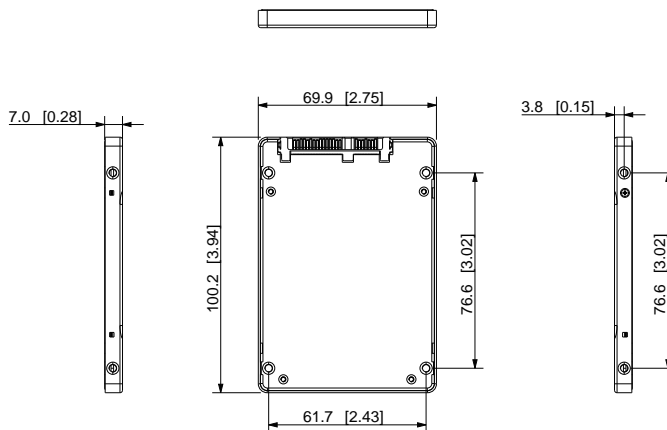
DHI-SSD-C800A series is standard 2.5" consumer-grade solid state drive which is applicable to personal desktops, notebooks, all-in-one computers, and more.

Technical Specification

Product Model	DHI-SSD-C800AS120G	DHI-SSD-C800AS240G	DHI-SSD-C800AS480G	DHI-SSD-C800AS960G
Capacity ¹	120 GB	240 GB	480 GB	960 GB
Form Factor	2.5"			
Port	6 Gb/s SATA			
Net Weight	Max 40 g (0.09 lb)			
Product Dimensions	100.20 mm × 69.90 mm × 7.00 mm (3.94" × 2.75" × 0.28")			
Packaging Dimensions	140.50 mm × 105.50 mm × 15.50 mm (5.53" × 4.15" × 0.61")			
Memory Component	3D TLC	3D TLC	3D QLC	3D QLC
Power Consumption ²	1195 mW (max) 415 mW (idle)	1200 mW (max) 370 mW (idle)	1600 mW (max) 510 mW (idle)	2200 mW(max) 550 mW (idle)
S.M.A.R.T	Support			
TRIM	Support			
Garbage Collection	Support			
Sequential Read ²	Up to 550 MB/s	Up to 550 MB/s	Up to 550 MB/s	Up to 550 MB/s
Sequential Write ²	Up to 460 MB/s	Up to 460 MB/s	Up to 500 MB/s	Up to 490 MB/s
4K Random Read ²	Up to 50000	Up to 52000	Up to 63000	Up to 63000
4K Random Write ²	Up to 57000	Up to 57000	Up to 77000	Up to 77000
MTBF	1,500,000 hours			
Operating Temperature	0°C to +70°C (+32°F to +158°F)			
Storage Temperature	-40°C to +85°C (-40°F to +185°F)			

Operating Humidity	5%–95% (non-condensing)			
Vibration Resistance	10–1000 Hz, 2.78G			
Shock Resistance	1500G/0.5 ms (half sine wave)			
TBW	60 TB	120 TB	150 TB	310 TB
Warranty ³	3-year limited warranty			
Reference Information	<p>1. Capacity calculation: 1GB = 1 billion bytes (IDEMA). Actual available capacity might be reduced (due to formatting, partition, operating system applications, or other necessary usage).</p> <p>2. System configuration of performance test: Intel Z390 Chipset, Intel Core i9-9900KF@3.6GHz, 16GB DDR4; operating system-Windows 10 x64; testing tool-CrystalDiskMark 6.0.0.</p> <p>3. Warranty period or maximum write amount (TBW), whichever comes first.</p> <p>4. High performance SLC cache has been enabled.</p>			

Dimensions (mm[inch])

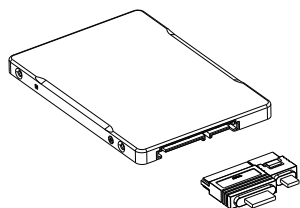


Ordering Information

Type	Model	Description
Memory Card	DHI-SSD-C800AS120G	2.5" SATA Solid State Drive DHI-SSD-C800AS120G
	DHI-SSD-C800AS240G	2.5" SATA Solid State Drive DHI-SSD-C800AS240G
	DHI-SSD-C800AS480G	2.5" SATA Solid State Drive DHI-SSD-C800AS480G
	DHI-SSD-C800AS960G	2.5" SATA Solid State Drive DHI-SSD-C800AS960G

Installation

Install by Cable Connection



Install by Direct Insertion

