



ARISTON



Chaffoteaux

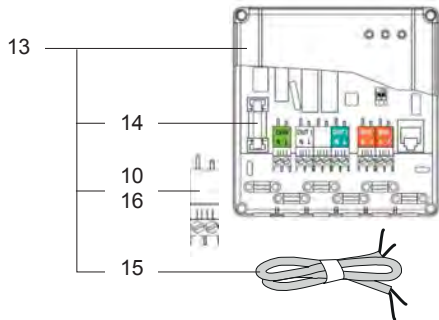
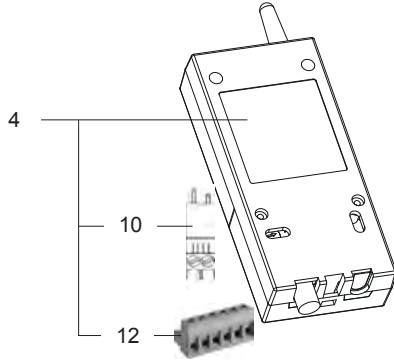
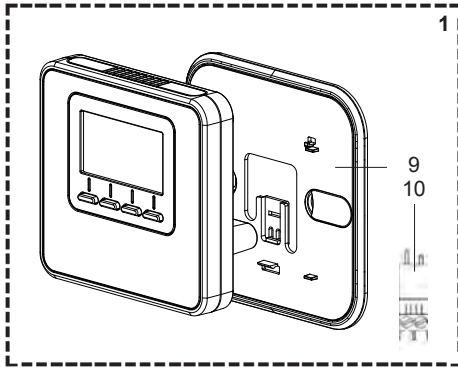
SPARE PARTS EXPLODED VIEW
ACCESSORIES FOR CONTROLLERS
Model
THERMOREGULATION ONE/ADVANCE

R8217914-02 - 12/12/2019

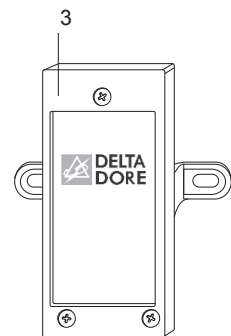
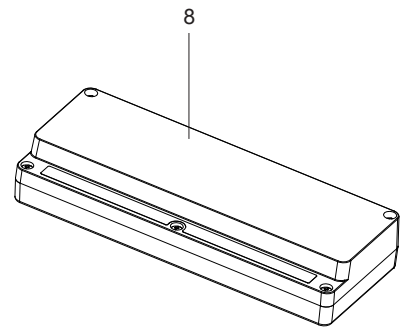
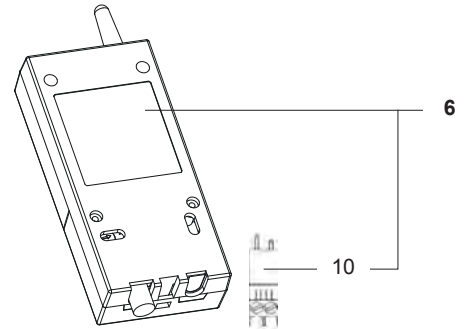
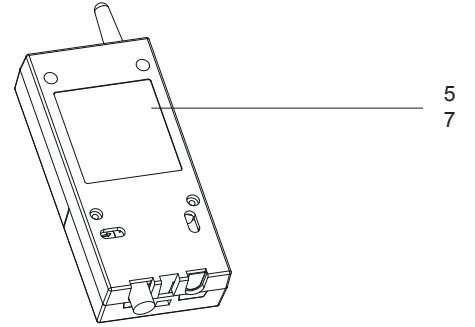
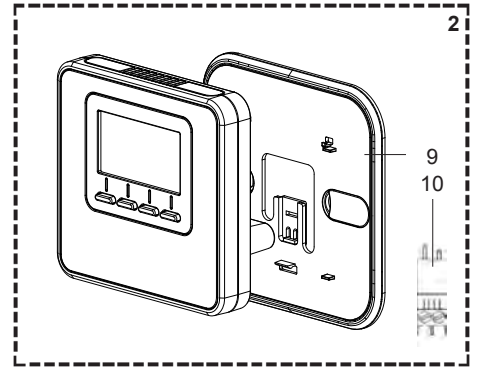
| | | | | |
|----|---------|-------------------------------------|---------|---|
| 1 | 3319116 | CUBE ROOM SENSOR WIRED | 07-2017 | - |
| 2 | 3319477 | CUBE WIRED WHITE | 07-2017 | - |
| 3 | 3319117 | ZONE CONTROL EVO WIRED | 07-2017 | - |
| 4 | 3319118 | CUBE ROOM SENSOR WIRELESS EU | 07-2017 | - |
| 5 | 3319478 | CUBE WHITE RF | 07-2017 | - |
| 6 | 3319119 | ZONE CONTROL EVO WIRELESS | 07-2017 | - |
| 7 | 3319120 | WIRELESS - EBUS2 GATEWAY EU | 07-2017 | - |
| 8 | 3319121 | KIT MULTI-ZONE WIRELESS 6 OUPUTS EU | 07-2017 | - |
| 9 | 3319122 | KIT MULTI-ZONE WIRELESS 2 OUPUTS EU | 07-2017 | - |
| 10 | 3319091 | WIRELESS EXTERNAL SENSOR EU | 07-2017 | - |
| 11 | 3319093 | WIRELESS - ANALOGIC GATEWAY EU | 07-2017 | - |
| 12 | 3319098 | WIRELESS REPEATER EU | 07-2017 | - |
| 13 | 3319130 | KIT MULTI-ZONE WIRED 2 OUPUTS | 07-2017 | - |
| 14 | 3319126 | CUBE S NET | 09-2017 | - |
| 15 | 3319476 | CUBE S NET WHITE | 09-2017 | - |
| 16 | 3319128 | SMART CONTROL LINK | 09-2018 | - |

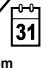
| Col | Reference | Model type | Begin | End |
|-----|-----------|------------|-------|-----|
|-----|-----------|------------|-------|-----|

WIRED

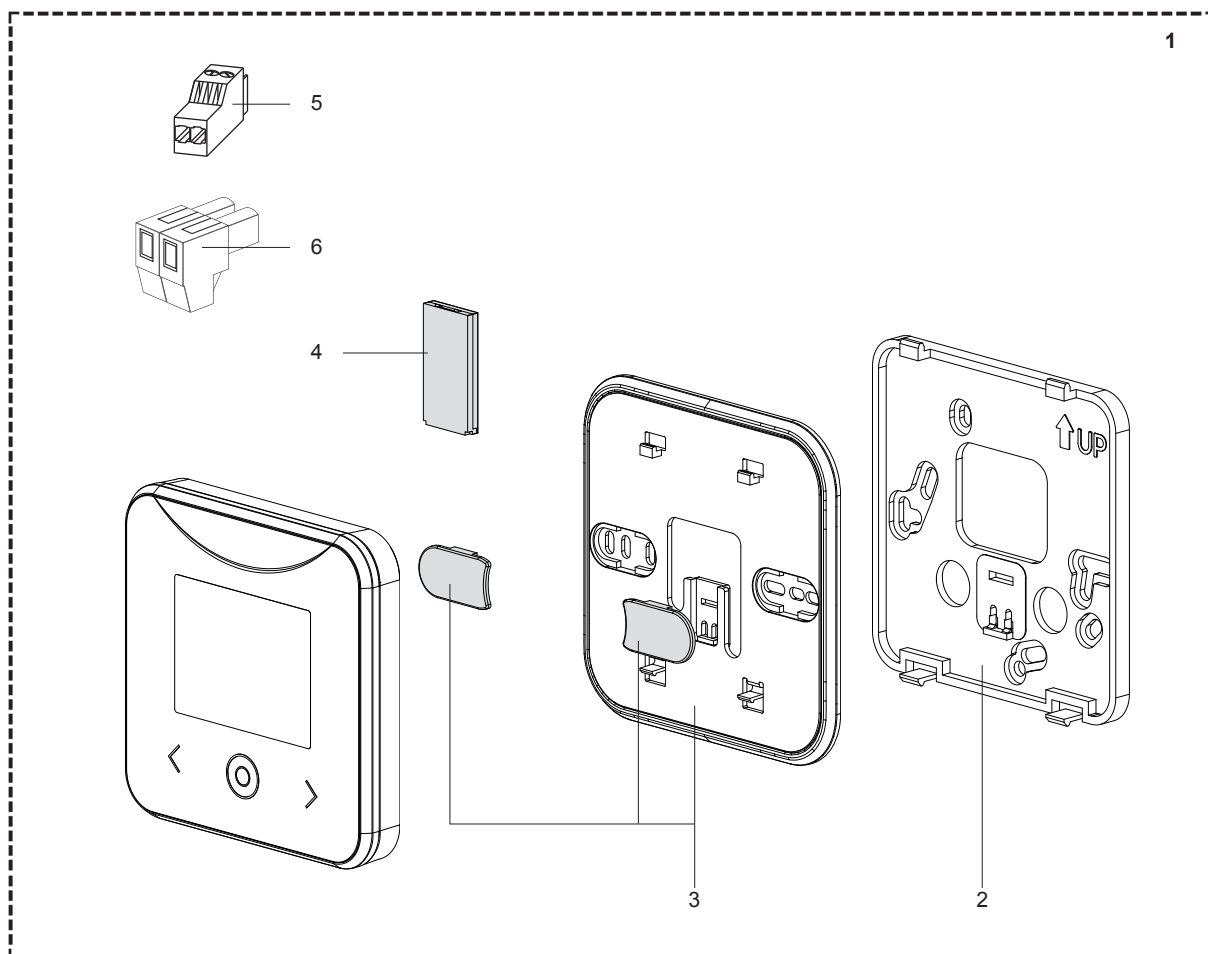


WIRELESS



| ☰ | Description | Manf. Pt. N | Type |  | | | | | | | | | | | | | | | | | |
|------|--|-------------|------|---|---|---|---|---|---|---|---|---|----|----|----|----|----|----|----|----|----|
| | | | | 1 | 2 | 3 | 4 | 5 | 6 | 7 | 8 | 9 | 10 | 11 | 12 | 13 | 14 | 15 | 16 | 17 | 18 |
| 0001 | CUBE WIRED (AR BLACK) | 65116720-01 | | • | | | | | | | | | | | | | | | | | |
| | CUBE WIRED (AR WHITE) | 65119814 | | | • | | | | | | | | | | | | | | | | |
| | ROOM SENSOR WIRED CM | 65116721 | | | | • | | | | | | | | | | | | | | | |
| 0002 | CUBE RF (AR BLACK) | 65116722 | | | | | • | | | | | | | | | | | | | | |
| | CUBE RF (AR WHITE) | 65119815 | | | | | | • | | | | | | | | | | | | | |
| | ROOM SENSOR WIRELESS CM | 65116723 | | | | | | | • | | | | | | | | | | | | |
| 0003 | WIRELESS EXTERNAL SENSOR | 65116728 | | | | | | | | | • | | | | | | | | | | |
| 0004 | WIRELESS - ANALOGIC GATEWAY | 65116729 | | | | | | | | | | • | | | | | | | | | |
| 0005 | WIRELESS REPEATER EU | 65116730-01 | | | | | | | | | | | • | | | | | | | | |
| 0006 | EBUS2 GATEWAY (03.03.04) | 65118170 | | | | | | | • | | | | | | | | | | | | |
| 0007 | KIT MULTI-ZONE RF 2 OUTPUTS | 65116726 | | | | | | | | • | | | | | | | | | | | |
| 0008 | KIT MULTI-ZONE RF 6 OUTPUTS | 65116725 | | | | | | | | | • | | | | | | | | | | |
| 0009 | WALL PLATE (BLACK) | 65116731 | | • | | | | | | | | | | | | | | | | | |
| | WALL PLATE (WHITE) | 65116732 | | | • | • | | • | • | | | | | | | | | | | | |
| 0010 | CONNECTOR 2P | 65111933 | | • | • | • | • | • | • | | | • | | • | | | | | | | |
| 0012 | STELVIO CONNECTOR CPF 5/2 NE (SE) | 65116733 | | | | | | | | | | • | | | | | | | | | |
| 0013 | KIT MULTIFUNC+ZONE | 65116727 | | | | | | | | | | | • | | | | | | | | |
| 0014 | FUSE 5X20 RIT. 2 A 250V | 65112137 | | | | | | | | | | | | • | • | • | | | | | |
| 0015 | CABLE SUPPLY REMOTE | 65117864 | | | | | | | | | | | | • | • | • | | | | | |
| 0016 | LUMBERG CONNECTOR 3611 02 F65 K01 ME08 | 65116736 | | | | | | | | | | | | • | | | | | | | |

NET



LIST OF THE ABBREVIATIONS

| | |
|-------------|--|
| HW | : Hot water. |
| CW | : Cold water. |
| C | : Ceramic resistance (normal heating). |
| Ca | : Ceramic resistance (accelerated heating) |
| TP | : Immersion heater. |
| 1F | : With fittings. |
| 2F | : Without fittings. |
| 3F | : With fittings and another outlet connection. |
| AMI | : With mixing valve. |
| SMI | : Without mixing valve. |
| PUISS | : Power of th appliance. |
| PN | : Appliance with normal pression. |
| LP | : Appliance with low pression. |
| PV | : Appliance with variable power. |
| PF | : Appliance with fixed power. |

The indications mentionned on the prices, commercial or technical literature and the scheme are written for your guidance and are available at a given time. The CONSTRUCTOR retains the power to modify the presentation, the form, the size, the conception or the material of the products.
