

# DHI-VTO2211G-P

## IP Villa Door Station



- Thin lightweight design
- -30°C to +60°C (-22°F to +140°F) operating temperature
- IP65 (Silicone sealant is need. For details, see the quick start guide.)
- IR illumination and night vision
- Card unlock, app unlock, and indoor monitor unlock
- Two-way audio and voice call through app
- Card capacity: 10,000
- Tamper alarm
- Standard PoE
- Control two locks

### Technical Specification

#### System

|                  |  |
|------------------|--|
| Main Processor   | Embedded processor                       |
| Operating System | Embedded Linux operating system          |
| Button Type      | Mechanical                               |
| Interoperability | ONVIF                                    |
| Network Protocol | SIP; P2P; IPv4; DNS; RTSP; RTP; TCP; UDP |

#### Basic

|                    |   |
|--------------------|---|
| Camera             | 1/2.8" 2MP CMOS high definition, low illumination/WDR/color/IR        |
| Field of View      | Horizontal: 125°; vertical: 72°; diagonal: 142°                       |
| WDR                | 120dB   |
| Noise Reduction    | 3D noise reduction  |
| Video Compression  | H.264   |
| Video Resolution   | Main stream: WVGA, 720P, D1<br>Sub stream: CIF, WVGA, QVGA, 1080P, D1 |
| Video Frame Rate   | PAL:25 fps<br>NTSC:30 fps   |
| Video Bit Rate     | 256K to 4M  |
| Light Compensation | Auto IR   |
| Day/Night          | ICR auto switch   |
| Audio Compression  | G.711Mu; G.711u; PCM  |

|                   |   |
|-------------------|---|
| Audio Input       | 1   |
| Audio Output      | Built-in speaker  |
| Audio Mode        | Two-way audio   |
| Audio Enhancement | Echo suppression and cancellation/digital noise reduction |
| Audio Bit Rate    | 16KHz, 16Bit  |

#### Function

|                    |  |
|--------------------|--|
| Communication Mode | Full digital   |
| Unlock Mode        | Card/app/indoor monitor unlock                       |
| Card Type          | IC card  |
| Auto Snapshot      | Auto snapshot can only be enabled on indoor monitors |
| Leave Videos       | Yes (insert an SD card into the indoor monitor)      |
| Web Configuration  | Yes  |

#### Performance

|                       |            |
|-----------------------|------------|
| Card Reading Distance | 3cm-5cm    |
| Casing                | PC+Acrylic |

#### Capacity

|      |        |
|------|--------|
| Card | 10,000 |
|------|--------|

#### Port

|               |   |
|---------------|---|
| RS-485        | 1 |
| Electric Lock | 1 |

|                       |                               |
|-----------------------|-------------------------------|
| Alarm Input           | 1                             |
| Alarm Output          | 1                             |
| Power Output          | 1                             |
| Exit Button           | 1                             |
| Door Status Detection | 1                             |
| Lock Control          | 1, normally closed by default |
| Network               | 1 10M/100M network port       |

**Alarm**

|        |     |
|--------|-----|
| Tamper | Yes |
|--------|-----|

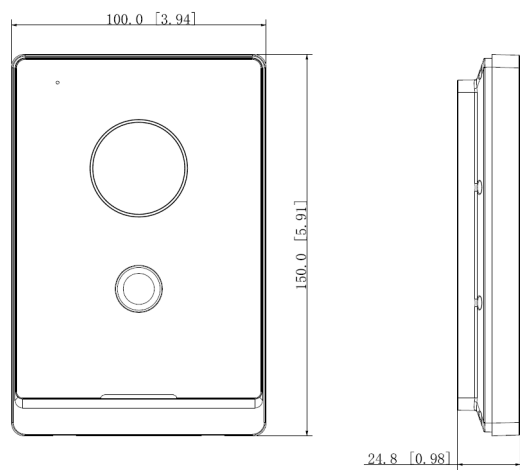
**General**

|                       |  |
|-----------------------|--|
| Color                 | Black plate & silvery frames                                 |
| Power Supply          | 12V DC 1A<br>Standard PoE                                    |
| Installation          | Surface mount  |
| Certifications        | CE/FCC   |
| Accessory             | Brackets and alarm ribbon cable                              |
| Dimensions            | 150 mm × 100 mm × 24.8 mm (5.91" × 3.94" × 0.98")            |
| Protection Grade      | IP65 (silicone sealant is needed, see the quick start guide) |
| Operating Temperature | -30°C to + 60°C (-22°C to +140°C)                            |
| Operating Humidity    | 10%RH–90%RH (non-condensing)                                 |
| Operating Environment | Outdoor  |
| Operating Altitude    | Beneath 3000 m (9842.51 ft)                                  |
| Power Consumption     | Standby≤1W, working≤7W                                       |
| Gross Weight          | 490 g (1.08 lb)  |

**Application**



**Dimensions (mm[inch])**



Rev 001.001 © 2021 Dahua. All rights reserved. Design and specifications are subject to change without notice. Pictures in the document are for reference only, and the actual product shall prevail.