

# SVEN<sup>®</sup>

2.1 Multimedia  
Speaker System

## USER MANUAL



# MS-1821

[www.sven.fi](http://www.sven.fi)

***Congratulations on your purchase of the Sven speaker system!*****COPYRIGHT**

© SVEN PTE. LTD. Version 2.1 (21.09.2022).

This Manual and information contained in it are copyrighted. All rights reserved.

**TRADEMARKS**

All trademarks are the property of their legal holders.

**NOTICE OF RESPONSIBILITY RESTRICTION**

Despite the exerted efforts to make this Manual more exact, some discrepancies may occur. The information in this Manual is given on "as is" terms. The author and the publisher do not bear any liability to a person or an organization for loss or damage which has arisen from the information contained in this Manual.

**CONTENTS**

ENG .....	2
<b>1. BUYER RECOMMENDATIONS</b> .....	2
<b>2. PACKAGE CONTENTS</b> .....	3
<b>3. SAFETY PRECAUTIONS</b> .....	3
<b>4. TECHNICAL DESCRIPTION</b> .....	3
<b>5. PREPARATION AND OPERATION</b> .....	5
<b>6. OPERATION MODES</b> .....	7
<b>7. TROUBLESHOOTING</b> .....	8
<b>8. TECHNICAL SPECIFICATIONS</b> .....	9
RUS.....	10

**1. BUYER RECOMMENDATIONS**

- Unpack the device carefully. Make sure there are no accessories left in the box. Check up the device for damage; if the product was damaged during transportation, address the firm which carried out the delivery; if the product functions incorrectly, address the dealer at once.
- Check up the package contents and availability of the warranty card. Make sure the warranty card has a shop stamp, a legible signature or the seller's stamp and purchase date, and the goods number corresponds to that in the warranty card. Remember: in case of warranty card loss or discrepancy of numbers you forfeit the right for warranty repairs.
- Do not switch on the speaker system immediately after you bring it into a room from environment with negative temperature! After unpacking, the speaker system should be kept in conditions of room temperature for at least 4 hours.
- Before installing and using the speaker system, read this Manual carefully and keep it for future reference.
- Shipping and transportation equipment is permitted only in the original container.
- Does not require special conditions for realization.
- Dispose of in accordance with regulations for the disposal of household and computer equipment.
- The date of manufacture of the product is indicated on the box.

***Technical support is on [www.sven.fi](http://www.sven.fi).***

## 2. PACKAGE CONTENTS

- Subwoofer — 1 pc
- Satellites — 2 pcs
- Remote control (RC) — 1 pc
- RC batteries (AAA type) — 2 pcs
- Signal cable — 1 pc
- Antenna wire — 1 pc
- Wall hook — 2 pcs
- User manual — 1 pc
- Warranty card — 1 pc

## 3. SAFETY PRECAUTIONS



**Caution! High voltage inside! To avoid the risk of electric shock do not open or touch elements inside.**

- To avoid electric shock, do not open the MSS and do not perform repairs by yourself. Service and repairs should be performed only by qualified specialists in an authorized service center. The list of authorized service centers is available on [www.sven.fi](http://www.sven.fi).
- Do not allow the circuit of wires (including the grounded ones) between the speakers, on the power amplifier or the ground, for it causes damage to the power amplifier output stage.
- Do not touch the MSS power cord plug pins for 2 seconds after unplugging it from the mains.
- Do not put foreign objects inside the holes of the MSS.
- Protect the MSS from high humidity, water and dust.
- Protect the MSS from heating: do not place it closer than 1 m from a heat source. Do not expose it to direct sunlight.
- Do not place any open flame sources on or close to MSS.
- Do not place the MSS in poorly ventilated areas. Leave an air gap of 10 cm or more. When operating the MSS, do not put any devices on it, do not cover it with cloth or other objects preventing it from cooling.
- Do not use any chemical agents for cleaning. Clean it with dry soft cloth only.

## 4. TECHNICAL DESCRIPTION

MS-1821 2.1 Multimedia Speaker System (MSS) is designed to play music and sound games, movies, etc. The MSS has a built-in power amplifier and audio cables allowing to connect it to virtually any audio source (CD/DVD-player, TV, PC, etc.) without using an additional power amplifier. The MSS has a built-in FM radio, audio player, BT module and clock. Remote control is included.

### Special features

- Speaker system is compatible with PCs, DVD/Media-players, mobile devices and other sound sources.
- Built-in BT module.
- Built-in FM radio.
- Digital LED display.
- Built-in player for audio files from external storage devices.
- Remote control.
- Volume control and timbre control.

**Subwoofer control panels**

- ① LED display.
- ② VOL-/◀◀: previous track (pressed long in the Player mode); Previous station\* (pressed long in the Tuner mode); Volume down (pressed short).
- ③ VOL+/▶▶: next track (pressed long in the Player mode); Next station\* (pressed long in the Tuner mode); Volume up (pressed short).
- ④ SD/MMC CARD: slot for SD/MMC cards\*\* containing MP3 audio files.
- ⑤ TREBLE: treble level up/down.
- ⑥ BASS: bass level up/down.
- ⑦ IR: infrared sensor.
- ⑧ MODE: AUX/FM/BT/MP3-player switching mode (pressed short).
- ⑨ ▶||: Play/Pause (pressed short in the Player mode); Start/Stop auto scan (pressed long in the Tuner mode); Forced disconnection device with BT (pressed long).
- ⑩ USB: slot for a USB flash device\*\* containing MP3 audio files.
- ⑪ FM ANT: radio antenna input jack.
- ⑫ INPUT L: AUX sound source left channel input jack.
- ⑬ INPUT R: AUX sound source right channel input jack.
- ⑭ OUTPUT R: right speaker output jack.
- ⑮ OUTPUT L: left speaker output jack.
- ⑯ ON/OFF: power switch.
- ⑰ Power cord.

\* The frequencies are switched if there are stations preset in the memory.

\*\* The storage device must be formatted as FAT, FAT32. Memory cards SDHC class 10 or less can be used. Connecting devices other than USB flash drive is not recommended. Connection of HDDs and other devices can cause damage to the MSS.

**Remote control (see Fig. 3)**

- ① MUTE: sound on/off.
- ② USB/SD: MP3 player mode switch-on button (playing MP3 files from an USB/SD card\*).
- ③ BT: BT mode on button.
- ④ TUNE+/-: manual band scanning (in the Tuner mode).
- ⑤ CH-/◀◀: previous track (pressed short in the Player mode); Previous station\* (pressed short in the Tuner mode); Rewind the track in USB/SD mode (pressed long).
- ⑥ EQ+/-: equalizer mode selection button (in the Player and BT mode).

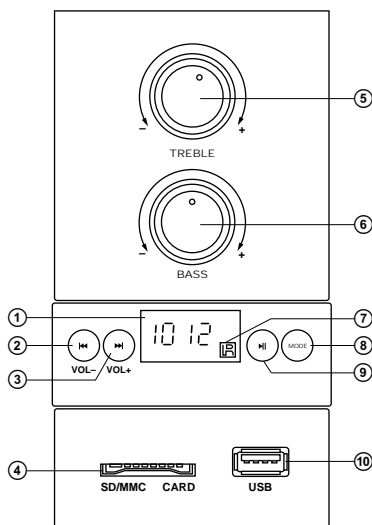


Fig. 1. Subwoofer front panel

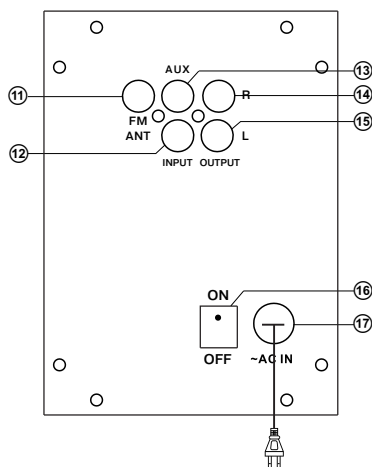


Fig. 2. Subwoofer rear panel

- ⑦ 0-9: numeric pad.
- ⑧ REPEAT: Player operation mode selection.
- ⑨ FM: enter the Tuner mode.
- ⑩ AUX: AUX input selection button.
- ⑪ **⏸**: Play/Pause (in the Player mode); Disconnection of BT.
- ⑫ **⏮**: next track (pressed short in the Player mode) Next station\* (pressed short in the Tuner mode); Rewind the track in USB/SD mode (pressed long).
- ⑬ AUTO: start auto scanning and memorizing stations in FM band (in the Tuner mode).
- ⑭ VOL+/-: volume control.
- ⑮ SAVE: memorize selected frequency (in the Tuner mode).
- ⑯ RESET: return to default settings.

### Battery Installation

- Open the battery compartment on the back of the remote control.
- Insert the included AAA batteries.
- Close the battery compartment.

**Notes.** Use the RC at an angle no more than 30° at a distance of no more than 7 meters. Direct the remote control to the infrared receiver on the subwoofer. If the remote control does not operate, check the batteries or replace the discharged batteries with new ones. Remove the batteries from the RC if you don't intend to use it for a long time (more than one week).

\* The storage device must be formatted as FAT, FAT32. Memory cards SDHC class 10 or less can be used. Connecting devices other than USB flash drive is not recommended. Connection of HDDs and other devices can cause damage to the MSS. \*\* The frequencies are switched if there are stations preset in the memory.

## 5. PREPARATION AND OPERATION

### Speaker placement

- Place the speakers symmetrically to the listener at least one meter away. The subwoofer emits non-directional sound, therefore it can be located in any place of the room where it sounds the best.
- Place MSS far away from monitors and TV sets, as insignificant image distortion in these supersensitive devices is possible.

### Installation and operation

MS-1821 Multimedia Speaker System can be connected to virtually any audio source: TV, PC sound card, mobile device etc. (see connection diagram in Fig. 4).

- Before making any connections, make sure that the MSS is unplugged. Connect the active speaker with the passive one using the audio cable (included).
- To connect the MSS to a PC, TV, and mobile devices first plug the RCA jacks of the 2RCA to mini-jack Ø 3.5 mm signal cable (included) in the PC audio input of the active speaker, then plug the mini-jack of the signal cable to the LINE OUT port of the computer sound card or to the audio OUTPUT of mobile device (see connection diagram in Fig. 4).

**Warning! Before connection all components of the system must be turned off.**

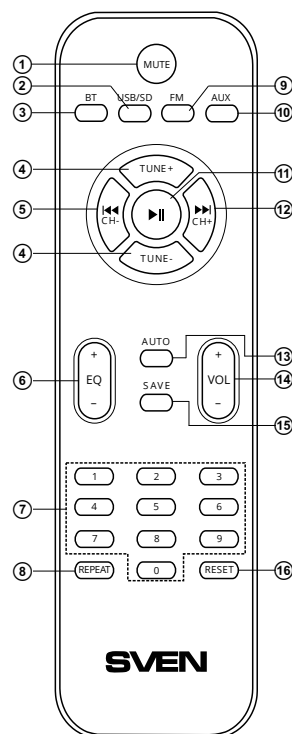


Fig. 3. Remote control

- Connect satellites with the subwoofer using built-in acoustic cables in speakers. Connect the left speaker to the OUTPUT L ⑮ jack and the right speaker to the subwoofer OUTPUT R ⑭ jack (see diagram in Fig. 4).

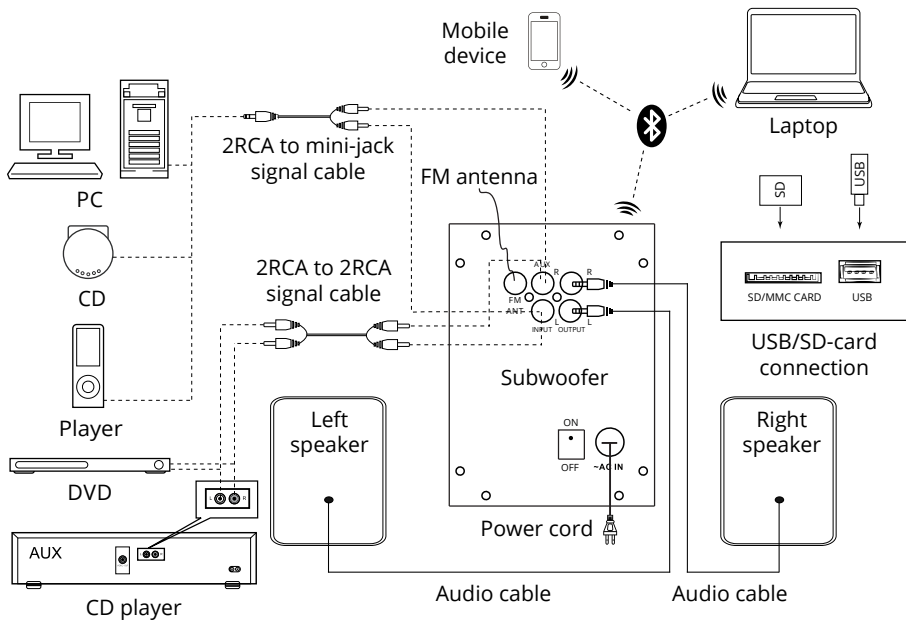


Fig. 4. Connection diagram

- To connect the MSS to a PC, MP3/CD player, use a 2RCA to mini-jack signal cable (included). Insert the RCA jacks of the signal cable into the L ⑫ and R ⑬ jacks of the INPUT, and the mini-jack of the signal cable — into the LINE OUT port of your PC sound card or an audio output of your MP3/CD player.
  - To connect the MSS to a TV or DVD/CD player, use a 2RCA to 2RCA signal cable (not included). Insert the RCA jacks of the signal cable into the L ⑫ and R ⑬ jacks of the INPUT, and the other RCA jacks — into your TV or DVD/CD player audio output jacks, as shown in Fig. 4.
- Note. Check the reliable fixation of wires in the terminals, polarity of connection and absence of contact of the bared wires with each other and the metal parts of the hardware.**
- Connect the subwoofer to the mains outlet with the power cord ⑰.
  - Turn on the MSS power supply using the ON/OFF switch (⑱, ON) on the subwoofer rear panel. "AUX" title will be displayed on the LED display ①.
  - Select a signal source using the MODE ⑧ button on the control panel or remote control buttons: USB/SD ②, BT ③, AUX ⑩, FM ④.
  - Adjust the master volume as desired with VOL- ② and VOL+ ③ buttons on the control panel or with the VOL+/- ⑭ button on the remote control.

- Select the desired LF/HF timbre level using BASS+/- ⑥ and TREBLE+/- ⑤ knobs on the control panel.
- To listen to the radio, connect the antenna to the FM ANT ⑩ jack and adjust it for better reception.
- After using the MSS, mind to switch it off using the ON/OFF switch (⑮, OFF position) and unplug the power cord ⑰ from the socket.

## 6. OPERATION MODES

### Player Mode

- The system will automatically enter the Player mode when a USB device is connected to the USB port ④ or an SD card is inserted into the corresponding slot ⑩; or press the MODE ⑧ button on the front panel or the USB/SD ② button on the remote control. The display will show the selected mode, then the number of the tracks found and the number of the track played. The files will automatically start playing.
- To select the track, you can enter its number on the remote control using the numeric pad buttons ⑦. The display ① will show sequence number of a track.
- You can select a playback mode using the remote control REPEAT ③ button ("ONE" — repeat the playing track; "RND" — play random tracks; "ALL" — play all tracks available).
- In the Player mode, Equalizer feature is available. To select a preset mode, use the EQ+ and EQ- ⑥ buttons on the remote control.

### Bluetooth Mode

- For the signal transmission in this mode it is necessary first to interconnect the MSS with a signal source (see connection diagram in Fig. 4). For this press the button MODE ⑧ on the control panel or button BT ③ on the remote control. After 2-3 seconds, the speaker will go into search mode, and the display ① will be flashing red "bt". It is necessary to select the search mode of devices with Bluetooth on a signal source (telephone, notebook, smartphone, etc.). Message will be displayed on the screen which is to be connecte ④ to\*\*.
- If the connection is successful, you will hear the system sound, and on display ① the inscription "bt" will have a constant glow.

\* The MSS operation may be incorrect if an SD card of 512 Mb capacity or lower is used. If a USB flash device of 8 Gb capacity or more is used, command processing time may be extended.

\*\* You might have to enter "0000" code to connect some models of devices via Bluetooth.

- If the connection fails, on display ① the inscription "bt" will have an intermittent glow. It is necessary to re-put the speaker into the search mode (turn it off and on again)\*\*.
- While connected to a source, you can control the source player from the remote control or by using the button on the front panel of the subwoofer.
- In the Player mode, Equalizer feature is available. To select a preset mode, use the EQ+ and EQ- ⑥ button on the remote control.

### Tuner Mode

- To switch to the Tuner mode, use the MODE ⑧ button on the front panel or the FM ⑨ button on the remote control. The subwoofer display ① will show the current frequency.
- To auto scan and memorize the found stations, long press button ⑨ on the front panel or the AUTO ③ button on the remote control short. To stop auto scanning, press this button again before the scanning is over. The display ① will show the frequency being scanned. When the channel is being memorized, the display shows its number for a short moment.

- For manual scanning, use buttons TUNE-/+ ④ on the remote control (up/down the frequency range). To save the selected station, press the SAVE ⑮ button on the remote control and then, using buttons ② and ③ on the front panel or buttons ⑤ and ⑫ on the remote control, assign the station its number and press the SAVE ⑮ button again. When the station has been memorized, the display will write "SAU". To delete a station, press and hold the button REPEAT ⑩, display ① will show "DEL".
- If preset stations are available in the memory, you can switch from one to another by short pressing buttons ②, ③ on the front panel or buttons ⑤, ⑫ on the remote control. You can also enter the frequency with the remote control numeric pad buttons. The radio will tune to the set frequency within 2-3 seconds.

#### AUX Mode

- To switch to the AUX mode, press the MODE ⑧ button on the front panel or AUX ⑩ button on the remote control, the MSS switched on. The display ① will show "AUX".

#### MUTE Mode

- To enter the MUTE mode, press button ① on the remote control. The display ① will write "MUTE". To exit the MUTE mode, press button ① on the remote control again.

**Note.** *Due to the constant development of the software, the actual MSS operation may differ from that described in this manual. The most recent version of the manual is available at [www.sven.fi](http://www.sven.fi).*

\* You might have to enter "0000" code to connect some models of devices via Bluetooth.

\*\* If the item has been already registered in the device list of a source, then the second search mode activation is not obligatory. Choose the item name and the «connect» command on the source.


## 7. TROUBLESHOOTING

Problem	Cause	Solution
The MSS does not turn on.	The MSS isn't connected to a mains outlet.	Check the connection.
	The power switch is off.	Turn on the switch.
No sound or the sound is too quiet.	Volume level is set at minimum value.	Adjust the volume control knob.
	Improperly connected audio source.	Connect the audio sources correctly.
Distortion of sound.	Large amplitude of the input signal.	Turn down the source volume and the MSS volume
The remote control is not working.	The batteries are discharged.	Replace the batteries with new ones.

If none of the above methods can solve the problem, please seek professional advice at your nearest service center. Never attempt to repair the product yourself.



**8. TECHNICAL SPECIFICATIONS**

Parameter, measurement unit	Value
Output power (RMS), W: subwoofer satellites	44 (20 + 2 × 12) 20 2 × 12
Frequency response, Hz: subwoofer satellites	40-150 125-22 000
Speaker diameter, mm: subwoofer satellites	Ø 105 Ø 80
Power supply, V/Hz	~230/50 
Rated current consumption, A	0.1
Dimensions, mm: subwoofer satellites (one speaker)	165 × 239 × 261 95 × 152 × 94
Weight, kg	4

**Notes.** *Technical specifications given in this table are supplemental information and cannot give occasion to claims. Technical specifications and package contents are subject to change without notice due to the improvement of SVEN production.*

**Благодарим Вас за покупку акустической системы ТМ SVEN!**

**АВТОРСКОЕ ПРАВО**

© SVEN PTE. LTD. Версия 2.1 (21.09.2022).

Данное Руководство и содержащаяся в нем информация защищены авторским правом. Все права защищены.

**ТОРГОВЫЕ МАРКИ**

Все торговые марки являются собственностью их законных владельцев.

**ПРЕДУПРЕЖДЕНИЕ ОБ ОГРАНИЧЕНИИ ОТВЕТСТВЕННОСТИ**

Несмотря на приложенные усилия сделать Руководство более точным, возможны некоторые несоответствия. Информация данного Руководства предоставлена на условиях «как есть». Автор и издатель не несут никакой ответственности перед лицом или организацией за ущерб или повреждения, произошедшие от информации, содержащейся в данном Руководстве.

**СОДЕРЖАНИЕ**

ENG .....	2
RUS.....	10
<b>1. РЕКОМЕНДАЦИИ ПОКУПАТЕЛЮ .....</b>	<b>10</b>
<b>2. КОМПЛЕКТАЦИЯ .....</b>	<b>11</b>
<b>3. МЕРЫ БЕЗОПАСНОСТИ.....</b>	<b>11</b>
<b>4. ТЕХНИЧЕСКОЕ ОПИСАНИЕ .....</b>	<b>11</b>
<b>5. ПОДГОТОВКА И ПОРЯДОК РАБОТЫ.....</b>	<b>13</b>
<b>6. РЕЖИМЫ РАБОТЫ.....</b>	<b>15</b>
<b>7. УСТРАНЕНИЕ НЕИСПРАВНОСТЕЙ .....</b>	<b>17</b>
<b>8. ТЕХНИЧЕСКИЕ ХАРАКТЕРИСТИКИ.....</b>	<b>17</b>

**1. РЕКОМЕНДАЦИИ ПОКУПАТЕЛЮ**

- Аккуратно распакуйте изделие, проследите за тем, чтобы внутри коробки не остались какие-либо принадлежности. Проверьте устройство на предмет повреждений. Если изделие повреждено при транспортировке, обратитесь в фирму, осуществляющую доставку; если изделие не функционирует, сразу же обратитесь к продавцу.
- Проверьте комплектность и наличие гарантийного талона. Убедитесь в том, что в гарантийном талоне проставлен штамп магазина, разборчивая подпись или штамп продавца и дата продажи, номер товара совпадает с указанным в талоне. Помните, что при утрате гарантийного талона или несопадении номеров вы лишаетесь права на гарантийный ремонт.
- Не включайте изделие сразу же после внесения его в помещение из окружающей среды с минусовыми температурами! Распакованное изделие необходимо выдержать в условиях комнатной температуры не менее 4-х часов.
- Прежде чем устанавливать и использовать изделие, внимательно ознакомьтесь с настоящим Руководством и сохраните его на весь период использования.
- Перевозка и транспортировка оборудования допускается только в заводской упаковке.
- Не требует специальных условий для реализации.
- Утилизировать в соответствии с правилами утилизации бытовой и компьютерной техники.
- Дата изготовления продукта указана на коробке.

**Техническая поддержка размещена на сайте [www.sven.fi](http://www.sven.fi).  
Здесь же Вы сможете найти обновленную версию данного Руководства.**

## 2. КОМПЛЕКАЦИЯ

- Сабвуфер — 1 шт.
- Сателлиты — 2 шт.
- Пульт дистанционного управления (ПДУ) — 1 шт.
- Элементы питания для ПДУ (тип ААА) — 2 шт.
- Сигнальный кабель — 1 шт.
- Антенный провод — 1 шт.
- Руководство по эксплуатации — 1 шт.
- Гарантийный талон — 1 шт.

## 3. МЕРЫ БЕЗОПАСНОСТИ



**Внимание! Внутри корпуса на элементах без изоляции имеется высокое напряжение, которое может вызвать поражение электрическим током.**

- Во избежание поражения электрическим током, не вскрывайте акустическую систему (АС) и не ремонтируйте самостоятельно. Обслуживание и ремонт должны осуществлять только квалифицированные специалисты уполномоченного сервисного центра. Перечень уполномоченных сервисных центров смотрите на сайте [www.sven.fi](http://www.sven.fi).
- Не допускайте замыканий проводов (в том числе и «заземленных») колонок АС между собой, на корпус усилителя и на землю, т. к. это выводит из строя выходные каскады усилителя.
- Запрещается прикасаться к штырям сетевой вилки аппаратуры в течение 2 сек. с момента изъятия вилки из сетевой розетки.
- Оберегайте АС от попадания в отверстия посторонних предметов.
- Оберегайте АС от повышенной влажности, попадания воды и пыли.
- Оберегайте АС от нагрева: устанавливайте ее не ближе чем 1 м от нагревательных приборов. Не подвергайте воздействию прямыми солнечными лучами.
- Не размещайте на АС никаких источников открытого пламени, а также вблизи системы.
- Не устанавливайте АС в местах с недостаточной вентиляцией. Минимальный воздушный зазор — 10 см. При эксплуатации АС не устанавливайте на нее какие-либо устройства, не покрывайте салфетками или подобными предметами, затрудняющими охлаждение.
- Не применяйте химические реагенты для чистки АС, используйте мягкую сухую ткань.

## 4. ТЕХНИЧЕСКОЕ ОПИСАНИЕ

Акустическая система 2.1 (АС) MS-1821 предназначена для воспроизведения музыки и озвучивания игр, фильмов и проч. АС оснащена встроенным усилителем мощности и акустическими кабелями, благодаря чему она может быть подключена практически к любым источникам аудиосигнала (CD/DVD-проигрывателям, телевизору, ПК и т. п.) без использования дополнительного усилителя мощности. АС имеет радио, проигрыватель аудиофайлов, BT модуль и часы. В комплекте пульт ДУ.

### Особенности

- Акустическая система совместима с PC, DVD/Media-проигрывателями, мобильными устройствами и другими источниками звука.
- Встроенный BT модуль.
- Встроенное FM-радио.
- Цифровой LED-дисплей.
- Встроенный MP3-проигрыватель аудиофайлов с носителей памяти USB flash, SD card.
- Пульт дистанционного управления.
- Регулировка общей громкости и тембра ВЧ/НЧ.

### Панели управления сабвуфера

- ① LED-дисплей.
- ② VOL-/◀: переход на предыдущий трек (при длительном нажатии в режиме Проигрыватель); Предыдущая станция\* (при длительном нажатии в режиме Радио); Уменьшение громкости (кратковременное нажатие).
- ③ VOL+/▶: переход на следующий трек (при длительном нажатии в режиме Проигрыватель); Следующая станция\* (при длительном нажатии в режиме Радио); Увеличение громкости (кратковременное нажатие).
- ④ SD/MMC CARD: разъем для установки SD/MMC-карт\*\* с музыкальными файлами, записанными в формате MP3.
- ⑤ TREBLE: регулировка тембра ВЧ.
- ⑥ BASS: регулировка уровня НЧ.
- ⑦ IR: ИК-приемник.
- ⑧ MODE: переключение режимов AUX/FM/BT/MP3-проигрыватель (кратковременное нажатие).
- ⑨ ▶||: Воспроизведение/Пауза (при кратковременном нажатии в режиме Проигрыватель); Автоматический поиск старт/стоп (длительное нажатие в режиме Радио) Принудительный разрыв соединения с устройством BT (длительное нажатие).
- ⑩ USB: разъем для установки USB flash носителя\*\* с музыкальными файлами, записанными в формате MP3.
- ⑪ FM ANT: разъем для подключения антенны приемника.
- ⑫ INPUT L: разъем для подключения левого канала источника сигнала AUX.
- ⑬ INPUT R: разъем для подключения правого канала источника сигнала AUX.
- ⑭ OUTPUT R: разъем для подключения правой колонки.
- ⑮ OUTPUT L: разъем для подключения левой колонки.
- ⑯ ON/OFF: выключатель питания.
- ⑰ Шнур питания.

\* Переключение этих частот происходит при наличии записанных в памяти станций.

\*\* Носитель должен быть отформатирован в FAT, FAT32. Можно использовать карты памяти SDHC class 10 и ниже. Не рекомендуется подключение внешних жестких дисков и прочих устройств, отличных от USB flash, — это может привести к повреждению AC.

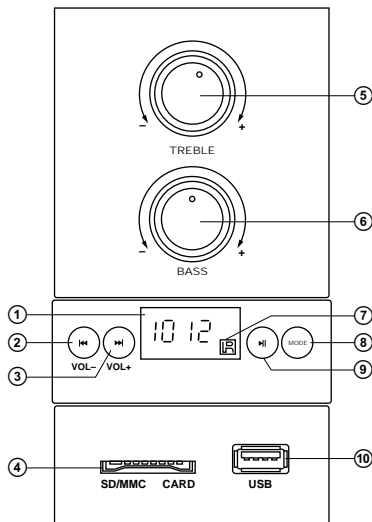


Рис. 1. Передняя панель сабвуфера

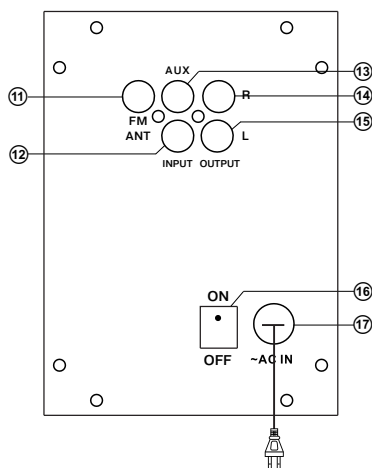


Рис. 2. Задняя панель сабвуфера

**Пульт дистанционного управления**

- ① MUTE: кнопка включения/выключения громкости.
- ② USB/SD: кнопка включения режима MP3-проигрывателя с USB/SD card носителя\*.
- ③ BT: кнопка включения режима BT.
- ④ TUNE+/-: ручное сканирование диапазона (в режиме Радио).
- ⑤ CH-/◀◀: переход на предыдущий трек (кратковременное нажатие в режиме Проигрыватель); Переход на предыдущую станцию\*\* (кратковременное нажатие в режиме Радио); Перемотка трека в USB/SD режиме (длительное нажатие).
- ⑥ EQ+/-: кнопка переключения предустановок эквалайзера доступно только в режиме Проигрыватель и BT).
- ⑦ 0-9: кнопки цифрового поля.
- ⑧ REPEAT: кнопка выбора режима работы проигрывателя.
- ⑨ FM: кнопка включения режима радио.
- ⑩ AUX: кнопка выбора стереовхода AUX.
- ⑪ ▶▶: Воспроизведение/Пауза (в режиме Проигрыватель); Разрыв соединения BT.
- ⑫ CH+/▶▶: переход на след. трек (кратковременное нажатие в режиме Проигрыватель); Переход на следующую станцию\*\* (кратковременное нажатие в режиме Радио); Перемотка трека в USB/SD режиме (длительное нажатие).
- ⑬ AUTO: запуск автоматического сканирования с запоминанием станций в FM-диапазоне (в режиме радио).
- ⑭ VOL+/-: регулятор общей громкости.
- ⑮ SAVE: запоминание выбранной частоты (в режиме радио).
- ⑯ RESET: сброс аудионастроек.

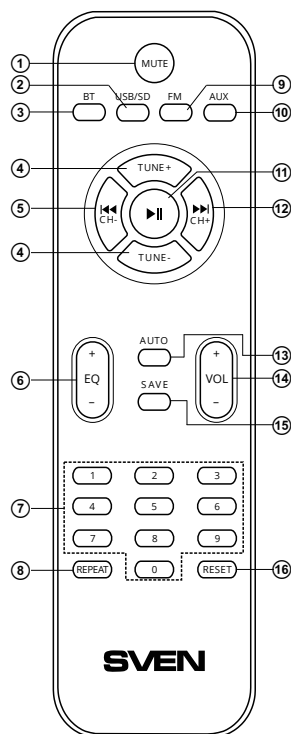


Рис. 3. Пульт ДУ

**Установка батареек в пульт ДУ**

- Откройте отсек для батареек на задней стороне пульта ДУ.
- Вставьте батарейки типа AAA (из комплекта).
- Закройте отсек для батареек.

**Примечания. Используйте ПДУ под углом не более 30° на расстоянии не более 7 метров. Направьте ПДУ на ИК-приемник ⑦ на сабвуфере. Если ПДУ не работает, проверьте наличие батареек или замените разряженные на новые. Вынимайте батарейки из пульта, если не собираетесь пользоваться им в течение длительного времени (больше недели).**

\* Носитель должен быть отформатирован в FAT, FAT32. Можно использовать карты памяти SDHC class 10 и ниже. Не рекомендуется подключение внешних жестких дисков и прочих устройств, отличных от USB flash — это может привести к повреждению AC.

\*\* Переключение этих частот происходит при наличии записанных в памяти станций.

**5. ПОДГОТОВКА И ПОРЯДОК РАБОТЫ**

**Расположение AC**

- Расположите колонки относительно слушателя симметрично на расстоянии не менее одного метра. Сабвуфер излучает ненаправленный звук, потому его можно расположить в любом месте комнаты, где сабвуфер звучит наилучшим образом.

- Возможно небольшое искажение изображения у сверхчувствительных мониторов и телевизоров, поэтому устанавливайте АС подальше от этих устройств.

### Подключение АС

- Акустическая система MS-1821 может быть подключена практически к любым источникам аудиосигнала: ТВ, звуковой карте ПК, мобильным устройствам и т. п. (см. схему подключения на рис. 4).
- Перед подключением убедитесь, что АС отключена от сети. Соедините с помощью акустического кабеля (из комплекта) активную колонку с пассивной.

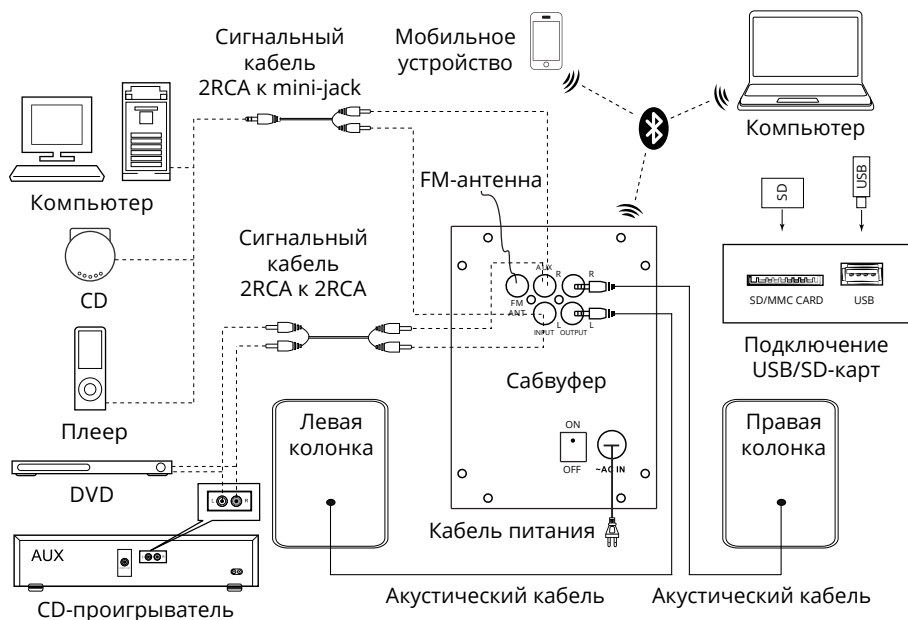


Рис. 4. Схема подключения

- Для подключения АС к ТВ, звуковой карте ПК и мобильным устройствам сначала подсоедините RCA-джеки сигнального кабеля 2RCA к mini-jack Ø 3,5 мм (из комплекта) ко входу активной колонки, а потом mini-jack кабеля вставьте в порт LINE OUT звуковой карты ПК или в разъем аудиовыхода (OUTPUT) мобильного устройства (см. схему подключения на рис. 4).

**Предупреждение! Перед подключением все компоненты системы должны быть выключены.**

- Соедините сателлиты с сабвуфером, используя акустические кабели, встроенные в колонки. Левую колонку подсоедините к разъему OUTPUT L (16), а правую колонку — к разъему OUTPUT R (19) сабвуфера (см. схему на рис. 4).

• Для подключения AC к ПК, MP3/CD-плеерам используйте сигнальный кабель 2RCA к mini-jack (из комплекта). Для этого подключите сначала RCA-джеки сигнального кабеля к разъемам L ⑫ и R ⑬ аудиовхода INPUT, а затем подключите mini-jack (Ø 3,5 мм) сигнального кабеля к порту LINE OUT звуковой карты ПК или к аудиовыходу (OUTPUT) MP3/CD-плеера. Для подключения AC к TV, DVD/CD-проигрывателям используйте сигнальный кабель 2RCA к 2RCA (не входит в комплект). Для этого подключите сначала RCA-джеки сигнального кабеля к разъемам L ⑫ и R ⑬ аудиовхода INPUT, а затем подключите RCA-джеки к разъемам аудиовыхода TV, DVD/CD-проигрывателей, как показано на рис. 4.

**Примечание.** Проверьте надежность фиксации проводов в клеммах, соответствие полярности подключения и отсутствие контакта оголенных проводов между собой и с металлическими частями аппаратуры.

- Подключите сабвуфер к сети с помощью шнура питания ⑰.
- Включите питание AC выключателем ON/OFF (⑱, ON) на задней стенке сабвуфера. На LED-дисплее а сабвуфера высветится «AUX».
- Выберите желаемый источник сигнала кнопкой MODE ⑧ на панели управления или кнопками на ПДУ: USB/SD ②, BT ③, AUX ⑩, FM ⑨.
- Выберите желаемый уровень громкости системы с помощью кнопок VOL- ② и VOL+ ③ на панели управления или воспользуйтесь кнопками VOL+/- ⑭ на ПДУ.
- Выберите желаемый уровень тембра НЧ/ВЧ системы с помощью регуляторов BASS+/- ⑥ и TREBLE+/- ⑤ на панели управления.
- При прослушивании радио ориентируйте антенну для качественного приема, предварительно подключив ее к разъему FM ANT ⑪.
- После окончания использования AC не забудьте выключить устройство выключателем ON/OFF (⑱, положение OFF), а также вынуть шнур питания ⑰ из розетки.

## 6. РЕЖИМЫ РАБОТЫ

### Режим Проигрывателя

- Система автоматически перейдет в режим проигрывателя, если установить один из носителей (USB flash или SD/MMC card)\* в соответствующие разъемы ④ или ⑩; или воспользоваться кнопкой MODE ⑧ на передней панели либо нажать кнопки USB/SD ② на ПДУ. На LED-дисплее ① отобразится выбранный режим, затем количество найденных треков и порядковый номер воспроизводимого трека. Воспроизведение начнется автоматически.
- Для выбора трека можно непосредственно ввести его порядковый номер с ПДУ, используя цифровые кнопки ⑦ на ПДУ. На дисплее ① отобразится порядковый номер трека.
- Кнопкой REPEAT ⑥ на ПДУ можно выбрать режим воспроизведения («ONE» — повтор воспроизводимого трека; «RND» — проигрывание в случайном порядке; «ALL» — проигрывание всех треков на носителе).
- В режиме проигрывателя доступна функция эквалайзера. Для выбора предварительно установленных настроек воспользуйтесь кнопками EQ+ и EQ- ⑤ на ПДУ.

\* При использовании SD card емкостью менее 512 Мб возможна некорректная работа. При использовании USB flash носителя емкостью более 8 Gb возможно увеличение времени на обработку команд.

### Режим Bluetooth

- Для передачи сигнала в этом режиме необходимо предварительно установить связь изделия с источником сигнала (см. рис. 4). Для этого выберите режим Bluetooth с помощью кнопки MODE ⑧ на передней панели сабвуфера или кнопка BT ③ на ПДУ.

Через 2-3 секунды АС перейдет в режим поиска, а на дисплее ① будет мигать надпись красного цвета «bt». На источнике сигнала (телефон, ноутбук, смартфон и пр.) необходимо выбрать режим поиска устройств Bluetooth. На экране отобразится наименование «MS-1821», с которым необходимо установить соединение\*.

- При удачном подключении вы услышите системный звук а так же на дисплее ① надпись «bt» будет иметь постоянное свечение.
- Если подключение не состоялось, на дисплее ① надпись «bt» будет иметь прерывистое свечение. Необходимо повторно перевести АС в режим поиска (выключить и снова включить)\*\*.
- Во время соединения с источником сигнала можно управлять проигрывателем источника сигнала с ПДУ или при помощи кнопки на передней панели сабвуфера.
- В режиме проигрывателя доступна функция эквалайзера. Для выбора предварительно установленных настроек воспользуйтесь кнопками EQ+/- ⑥ на ПДУ.

### Режим Радио

- Для перехода в режим радио необходимо при включенной АС воспользоваться кнопкой MODE ⑧ на передней панели или FM ⑨ на ПДУ. На дисплее ① сабвуфера отобразится текущая частота приема.
- Для автоматического сканирования и запоминания найденных станций используйте длительное нажатие кнопки ⑩ на передней панели или кнопки AUTO ⑬ ПДУ. Повторное нажатие на эту кнопку до окончания сканирования остановит процесс сканирования. При сканировании на дисплее а отображается частота, при запоминании станции кратковременно отображается присвоенный порядковый номер.
- Для ручного сканирования диапазона используйте кнопки TUNE-/+ ④ (вниз/вверх по частоте) на ПДУ. Для сохранения выбранной частоты нажмите кнопку SAVE ⑤ на ПДУ, затем кнопками ②, ③ на передней панели или ⑤, ⑫ на ПДУ выберите номер ячейки для сохранения и повторно нажмите кнопку SAVE ⑤. При сохранении на дисплее ① отобразится сообщение «SAU». Для удаления станции нажмите и удерживайте кнопку REPEAT ⑧, на дисплее ① отобразится «DEL».
- При наличии в памяти запомненных станций переключение осуществляется кратковременным нажатием кнопок ②, ③ на передней панели или ⑤, ⑫ на ПДУ. Также с цифрового поля ПДУ ⑦ возможен непосредственный ввод частоты. Радио настроится на заданную частоту в течении 2-3 сек.

### Режим AUX

- Для перехода в режим AUX необходимо при включенном изделии воспользоваться кнопкой MODE ⑧ на передней панели или кнопкой AUX ⑩ на ПДУ. На дисплее ① на передней панели сабвуфера отобразится «AUX».

### Режим MUTE

- Для перехода в режим MUTE нажмите кнопку MUTE ① на ПДУ. На дисплее ① сабвуфера отобразится «MUTE». Чтобы выйти из режима MUTE, повторно нажмите кнопку а на ПДУ.

**Примечание.** По причине постоянного совершенствования программного обеспечения описание управления АС может отличаться от приведенного в данном руководстве. Последнюю версию руководства см. на сайте [www.sven.fi](http://www.sven.fi).

\* Для соединения по BT с некоторыми моделями устройств, возможно, потребуется ввести код «0000».

\*\* Если изделие уже прописано в списке устройств источника, то повторная активация режима поиска необязательна. Выберите лишь имя изделия и команду «подключиться» на источнике.




**7. УСТРАНЕНИЕ НЕИСПРАВНОСТЕЙ**

Неисправность	Причина	Способ устранения
АС не включается.	Не подключена к сети.	Проверьте подключение к сети.
	Не включен сетевой выключатель.	Включите выключатель.
Нет звука или в колонках АС слишком тихий звук.	Регулятор громкости установлен в положение наименьшей громкости.	Подстройте регулятор громкости.
	Неправильно подключен источник аудиосигнала.	Подключите правильно источник сигнала.
Искажение звука.	Большая амплитуда входного сигнала.	Регуляторами громкости на источниках сигнала и АС уменьшите величину входного сигнала.
Не функционирует пульт ДУ.	Разряжены батарейки.	Замените батарейки на новые.

Если ни один из указанных выше способов не решает проблему, обратитесь за профессиональной консультацией в ближайший сервис-центр. Не ремонтируйте изделие самостоятельно.

**8. ТЕХНИЧЕСКИЕ ХАРАКТЕРИСТИКИ**

Характеристики и единицы измерения	Значение
Выходная мощность (RMS), Вт: сабвуфер сателлиты	44 (20 + 2 × 12) 20 2 × 12
Диапазон частот, Гц: сабвуфер сателлиты	40–150 125–22 000
Диаметр динамиков, мм: сабвуфер сателлиты	Ø 105 Ø 80
Напряжение питания, В/Гц	~230/50 
Номинальный ток потребления, А	0,1
Размеры, мм: сабвуфер сателлиты (одна колонка)	165 × 239 × 261 95 × 152 × 94
Вес, кг	4

**Примечания.** Технические характеристики, приведенные в таблице, справочные и не могут служить основанием для претензий. Продукция ТМ SVEN постоянно совершенствуется. По этой причине технические характеристики и комплектность могут быть изменены без предварительного уведомления.

*For Notes/Для заметок*

*For Notes/Для заметок*

## 2.1 Multimedia Speaker System

# SVEN®

### Model: MS-1821

Importer: Tiralana OY, Office 102, Kotolahdentie 15, 48310 Kotka, Finland.

### Модель: MS-1821

Импортер в России: ООО «Регард», 105082, г. Москва, ул. Фридриха Энгельса, д.75, стр. 5. Уполномоченная организация в России: ООО «РТ-Ф», 105082, г. Москва, ул. Фридриха Энгельса, д. 56, стр. 1. Условия гарантийного обслуживания смотрите в гарантийном талоне или на сайте [www.sven.fi](http://www.sven.fi). Гарантийный срок: 12 мес. Срок службы: 5 лет.

Производитель: «СВЕН ПТЕ. Лимитед», 176 Джу Чиат Роуд, № 02-02, Сингапур, 427447. Произведено под контролем «Свен Скандинавия Лимитед», 48310, Финляндия, Котка, Котolahdentie, 15. Сделано в Китае.

Manufacturer: SVEN PTE. LTD, 176 Joo Chiat Road, № 02-02, Singapore, 427447.

Produced under the control of Oy Sven Scandinavia Ltd. 15, Kotolahdentie, Kotka, Finland, 48310. Made in China.

® Registered Trademark  
of Oy SVEN  
Scandinavia Ltd. Finland.



280921

# MS-1821