



ARISTON

SPARE PARTS EXPLODED VIEW INSTANTANEOUS ELECTRIC WATER HEATERS

Model

AURES M

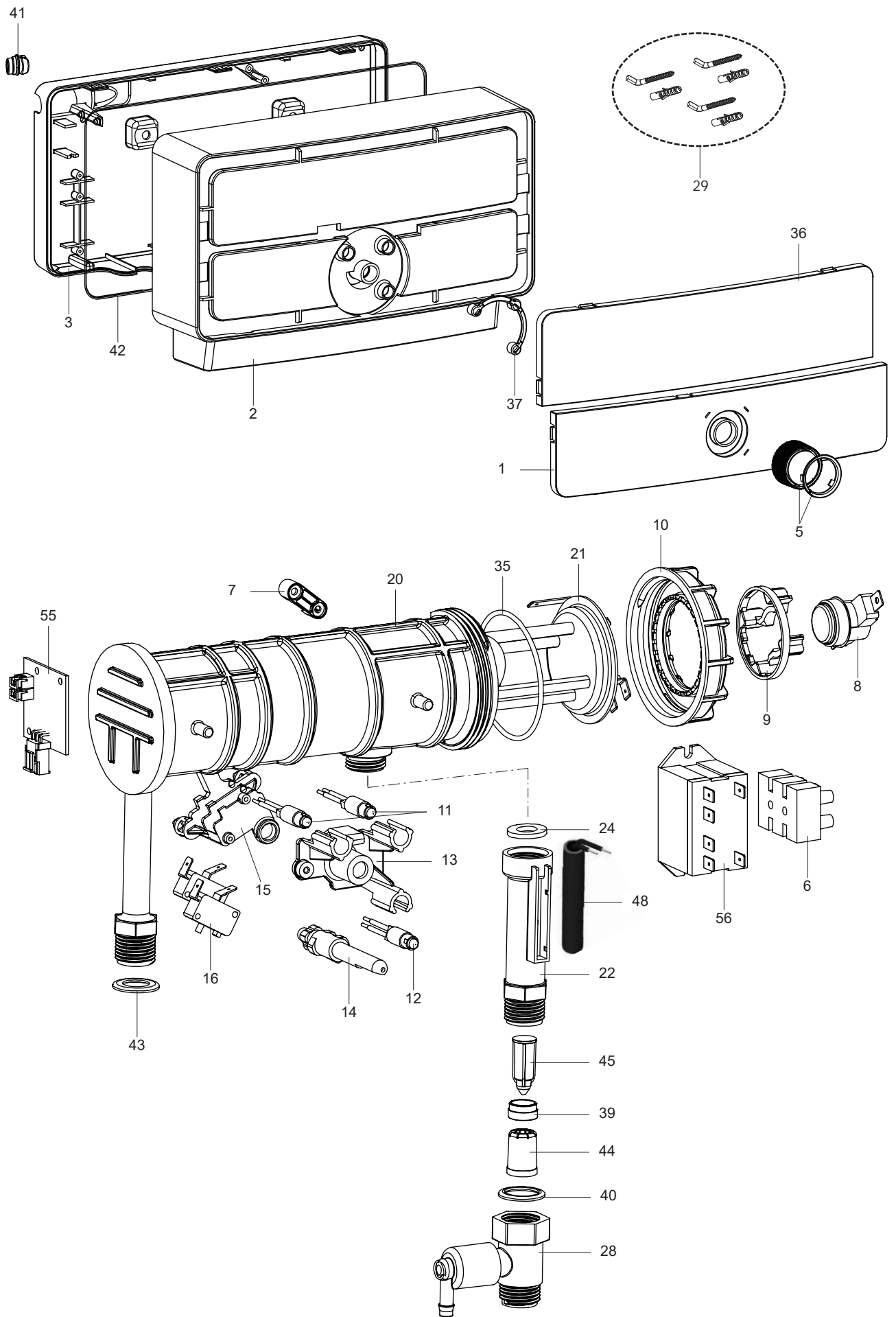
R8218699-06 - 06/02/2023

AURES M

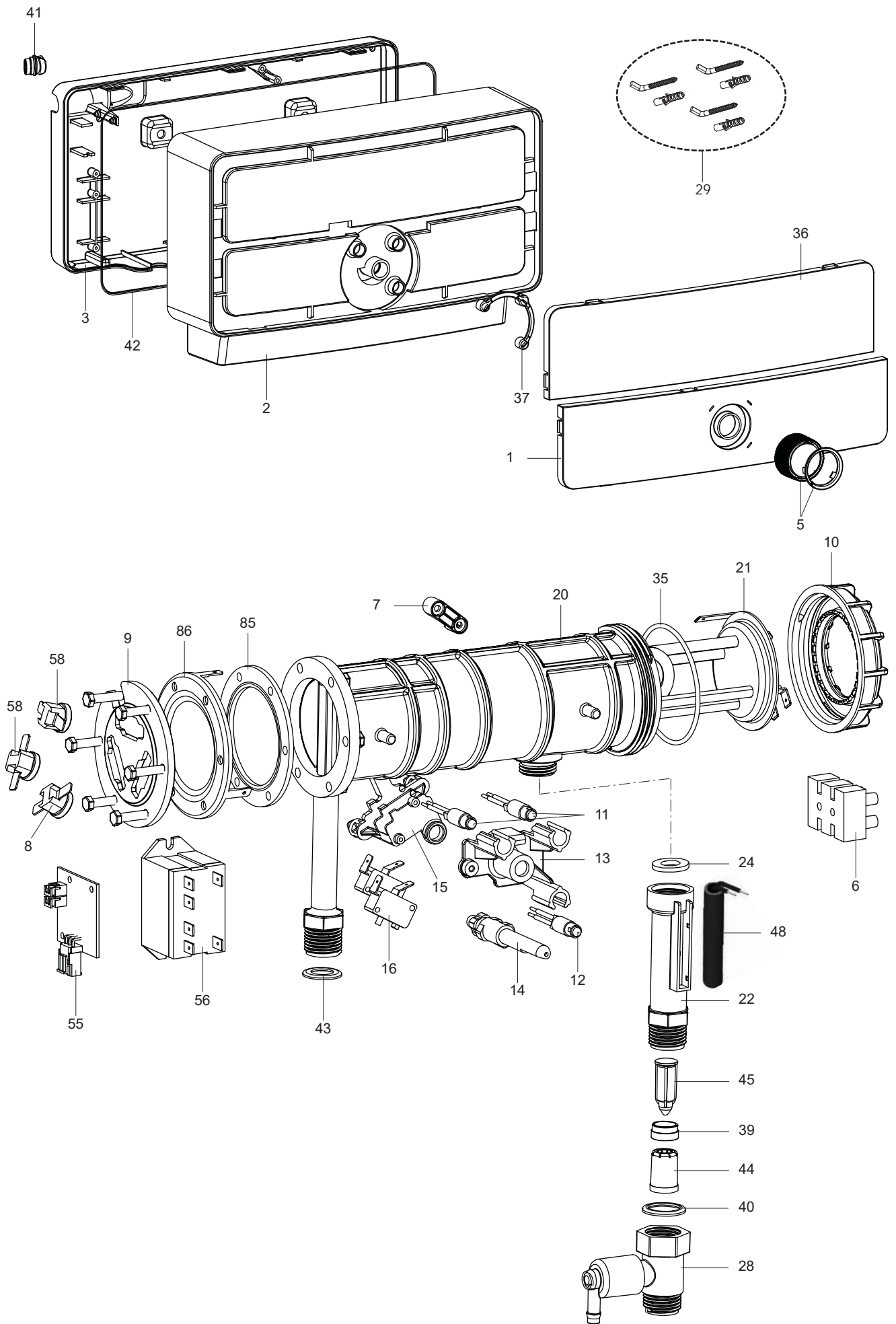
Instantaneous Electric Water Heaters

1	3195226	AURES M 3 CB 110V US-1	08-2021	-
2	3195211	AURES M 5 EU	02-2021	-
3	3195220	AURES M 6 EU	02-2021	-
4	3195234	AURES M 6	02-2021	-
5	3195579	AURES M 6 WH	04-2022	-
6	3195227	AURES M 6.5 240V US-1	08-2021	-
7	3195218	AURES M 7 EU	02-2021	-
8	3195214	AURES M 7 SASO KSA	02-2021	-
9	3195213	AURES M 7.7	02-2021	-
10	3195237	AURES SM2 7.7 EU	07-2021	-
11	3195235	AURES M 8	02-2021	-

Col	Reference	Model type	Begin	End
-----	-----------	------------	-------	-----



AURES M 5 EU



AURES M 7.7, AURES M 7 SASO, AURES M 6/7 EU, AURES M 6/8, AURES SM2 7.7 EU, AURES SM 3/6.5 US, AURES M 6 WH

LIST OF THE ABBREVIATIONS

HW	: Hot water.
CW	: Cold water.
C	: Ceramic resistance (normal heating).
Ca	: Ceramic resistance (accelerated heating)
TP	: Immersion heater.
1F	: With fittings.
2F	: Without fittings.
3F	: With fittings and another outlet connection.
AMI	: With mixing valve.
SMI	: Without mixing valve.
PUISS	: Power of th appliance.
PN	: Appliance with normal pression.
LP	: Appliance with low pression.
PV	: Appliance with variable power.
PF	: Appliance with fixed power.

IDENTIFICATION PLATE

SERIAL NUMBER

6 Characters :	03 09 08	Manufacturing day Month of manufacture
9 Characters :	5 9 12 0606	Sequential number
14 Characters :	SI-V-0B0 45 07 0001	Sequential number Year of manufacture : → 6 → 2004 Month of manufacture : → 25 → January 43 → July 7 → 2005 Product model → 13 → February 29 → August 8 → 2006 32 → March 40 → September etc ... 35 → April 38 → October 39 → May 51 → November 45 → June 12 → December
14 Characters :	111518 XX 000010	Month of manufacture Day of manufacture Sequential number Year of manufacture
15 Characters :	02 11 00001 007843	Year of manufacture Month of manufacture Product reference Sequential number
21 Characters :	3200050 XX 08115 0000001	Product reference Sequential number Year (08) / Manufacturing day (115)
22 Characters :	3200050 XX 070115 0000001	Product reference Sequential number Year (07) / Month (01) / Manufacturing day (15)

The indications mentioned on the prices, commercial or technical literature and the scheme are written for your guidance LOJV,JL and are available at a given time. The CONSTRUCTOR retains the power to modify the presentation, the form, the size, PVMPO@IMIC n. the conception or the material of the products.