



ARISTON



Chaffoteaux

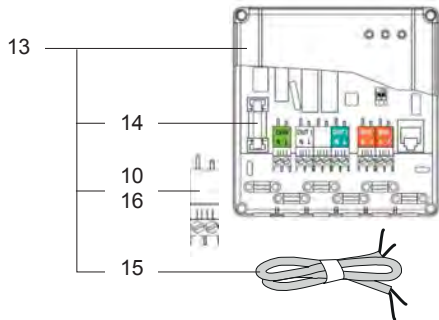
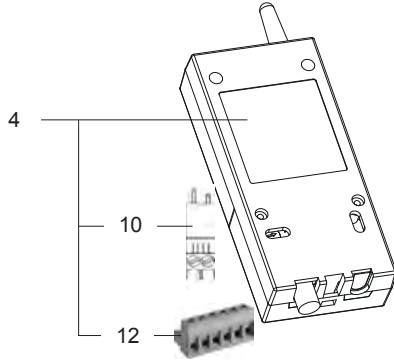
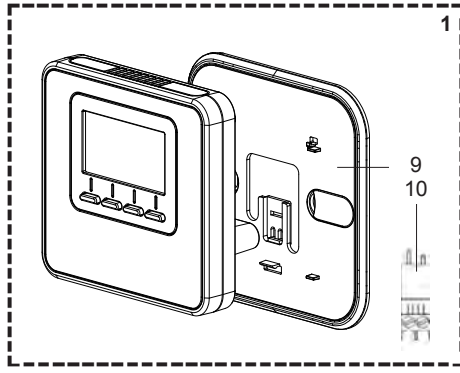
SPARE PARTS EXPLODED VIEW
ACCESSORIES FOR CONTROLLERS
Model
THERMOREGULATION ONE/ADVANCE

R8217914-02 - 12/12/2019

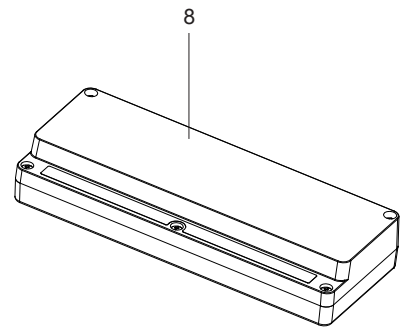
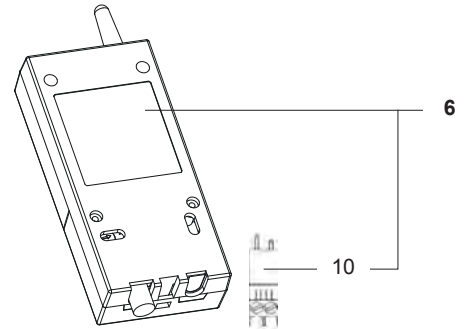
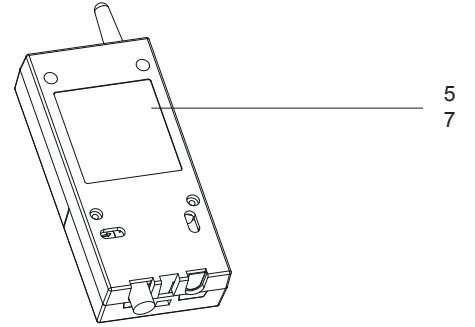
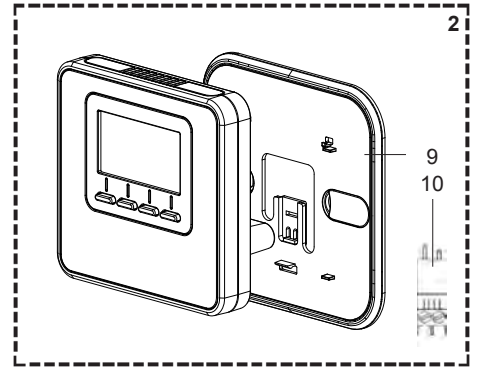
1	3319116	CUBE ROOM SENSOR WIRED	07-2017	-
2	3319477	CUBE WIRED WHITE	07-2017	-
3	3319117	ZONE CONTROL EVO WIRED	07-2017	-
4	3319118	CUBE ROOM SENSOR WIRELESS EU	07-2017	-
5	3319478	CUBE WHITE RF	07-2017	-
6	3319119	ZONE CONTROL EVO WIRELESS	07-2017	-
7	3319120	WIRELESS - EBUS2 GATEWAY EU	07-2017	-
8	3319121	KIT MULTI-ZONE WIRELESS 6 OUPUTS EU	07-2017	-
9	3319122	KIT MULTI-ZONE WIRELESS 2 OUPUTS EU	07-2017	-
10	3319091	WIRELESS EXTERNAL SENSOR EU	07-2017	-
11	3319093	WIRELESS - ANALOGIC GATEWAY EU	07-2017	-
12	3319098	WIRELESS REPEATER EU	07-2017	-
13	3319130	KIT MULTI-ZONE WIRED 2 OUPUTS	07-2017	-
14	3319126	CUBE S NET	09-2017	-
15	3319476	CUBE S NET WHITE	09-2017	-
16	3319128	SMART CONTROL LINK	09-2018	-

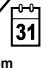
Col	Reference	Model type	Begin	End
-----	-----------	------------	-------	-----

WIRED

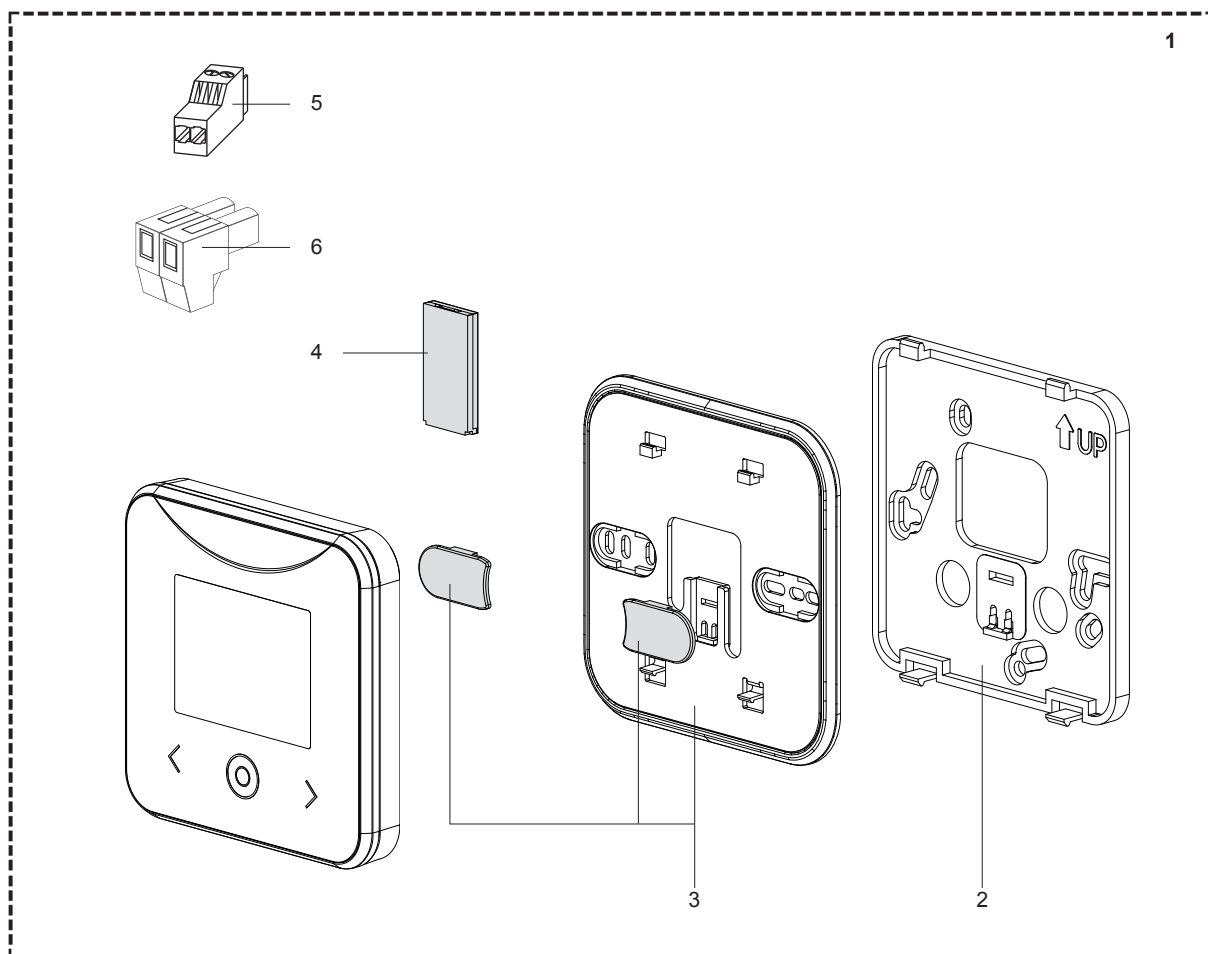


WIRELESS



☰	Description	Manf. Pt. N	Type																		
				1	2	3	4	5	6	7	8	9	10	11	12	13	14	15	16	17	18
0001	CUBE WIRED (AR BLACK)	65116720-01		•																	
	CUBE WIRED (AR WHITE)	65119814			•																
	ROOM SENSOR WIRED CM	65116721				•															
0002	CUBE RF (AR BLACK)	65116722					•														
	CUBE RF (AR WHITE)	65119815						•													
	ROOM SENSOR WIRELESS CM	65116723							•												
0003	WIRELESS EXTERNAL SENSOR	65116728									•										
0004	WIRELESS - ANALOGIC GATEWAY	65116729										•									
0005	WIRELESS REPEATER EU	65116730-01											•								
0006	EBUS2 GATEWAY (03.03.04)	65118170							•												
0007	KIT MULTI-ZONE RF 2 OUTPUTS	65116726								•											
0008	KIT MULTI-ZONE RF 6 OUTPUTS	65116725									•										
0009	WALL PLATE (BLACK)	65116731		•																	
	WALL PLATE (WHITE)	65116732			•	•	•	•	•	•											
0010	CONNECTOR 2P	65111933		•	•	•	•	•	•			•		•							
0012	STELVIO CONNECTOR CPF 5/2 NE (SE)	65116733										•									
0013	KIT MULTIFUNC+ZONE	65116727											•								
0014	FUSE 5X20 RIT. 2 A 250V	65112137												•	•	•					
0015	CABLE SUPPLY REMOTE	65117864												•	•	•					
0016	LUMBERG CONNECTOR 3611 02 F65 K01 ME08	65116736												•							

NET



№	Description	Manf. Pt. N	Type	3319116 3319477 3319117 3319118 3319478 3319119 3319120 3319121 3319122 3319091 3319093 3319098 3319130 3319126 3319476 3319128																		From	to
				1	2	3	4	5	6	7	8	9	10	11	12	13	14	15	16	17	18		
0001	CUBE S NET (AR BLACK)	3319126-SP																					
	CUBE S NET (AR WHITE)	3319476-SP																					
	SMART CONTROL LINK	3319128-SP																					
0002	WALL BASE	65117064																					
	WALL BASE	65119832																					
0003	WALL PLATE 503 BLACK AME	65117065																					
	WALL PLATE 503 WHITE AME	65119830																					
0004	BATTERY (LITHIUM)	65117066																					
	BATTERY (LITHIUM)	65119831																					
	BATTERY (LITHIUM)	65119833																					
0005	CONNECTOR 2P	65111933																					
0006	CONN. METZ 2P PLUGABLE TERMINAL BLOCK	65117067																					

LIST OF THE ABBREVIATIONS

HW	: Hot water.
CW	: Cold water.
C	: Ceramic resistance (normal heating).
Ca	: Ceramic resistance (accelerated heating)
TP	: Immersion heater.
1F	: With fittings.
2F	: Without fittings.
3F	: With fittings and another outlet connection.
AMI	: With mixing valve.
SMI	: Without mixing valve.
PUISS	: Power of th appliance.
PN	: Appliance with normal pression.
LP	: Appliance with low pression.
PV	: Appliance with variable power.
PF	: Appliance with fixed power.

The indications mentioned on the prices, commercial or technical literature and the scheme are written for your guidance and are available at a given time. The CONSTRUCTOR retains the power to modify the presentation, the form, the size, the conception or the material of the products.
