



ARISTON

## SPARE PARTS EXPLODED VIEW STORAGE ELECTRIC WATER HEATERS

Model

### VELIS LUX PW ABSE WIFI

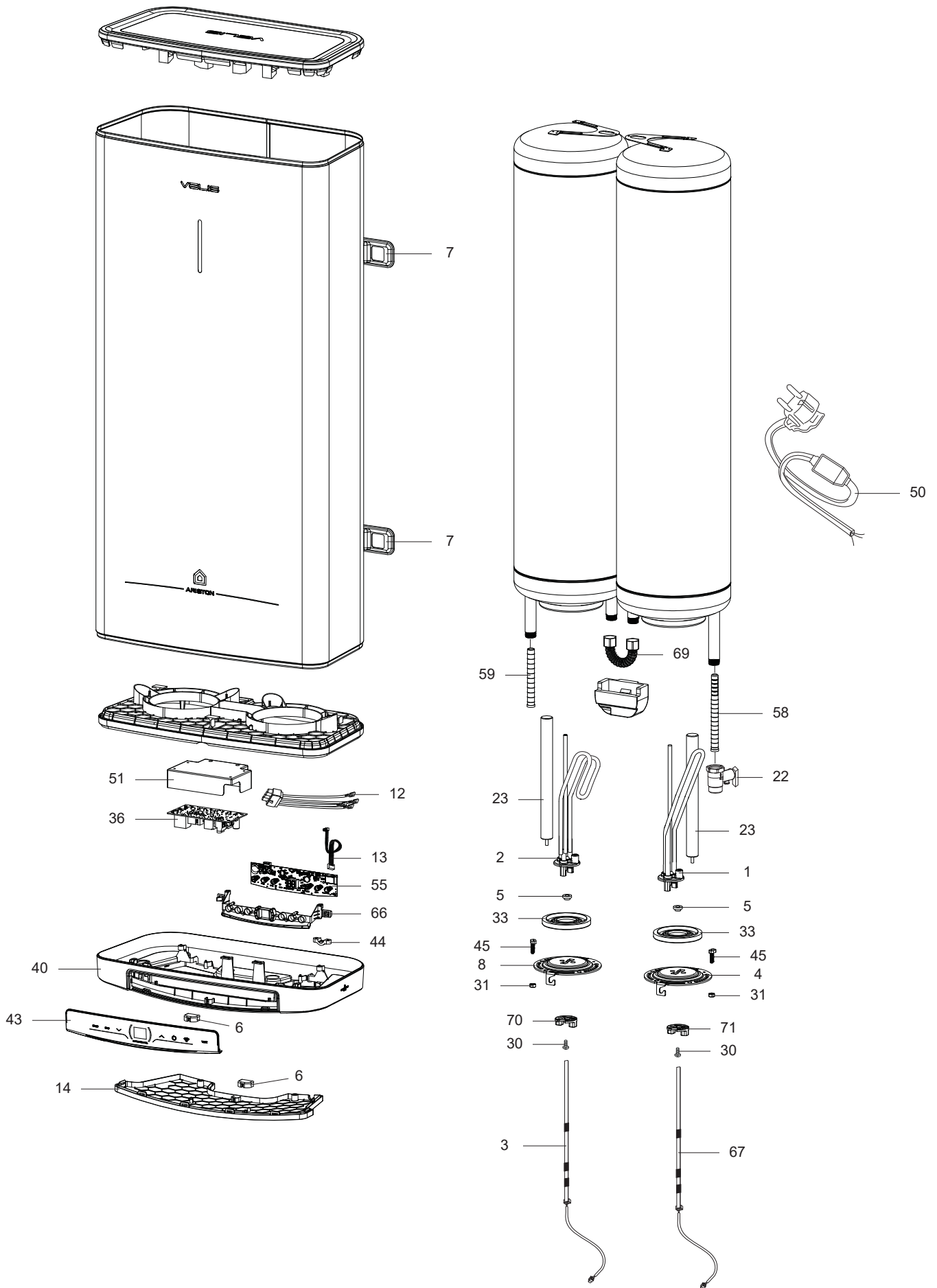
R8218673-01 - 07/04/2021

VELIS LUX PW ABSE WIFI

Storage Electric Water Heaters

1	3700673	VELIS LUX INOX PW ABSE WIFI 30	04-2021	-
2	3700693	VELIS LUX PW ABSE WIFI 30	04-2021	-
3	3700674	VELIS LUX INOX PW ABSE WIFI 50	04-2021	-
4	3700694	VELIS LUX PW ABSE WIFI 50	04-2021	-
5	3700675	VELIS LUX INOX PW ABSE WIFI 80	04-2021	-
6	3700695	VELIS LUX PW ABSE WIFI 80	04-2021	-
7	3700676	VELIS LUX INOX PW ABSE WIFI 100	04-2021	-
8	3700696	VELIS LUX PW ABSE WIFI 100	04-2021	-

Col	Reference	Model type	Begin	End
-----	-----------	------------	-------	-----





## LIST OF THE ABBREVIATIONS

HW .....	: Hot water.
CW .....	: Cold water.
C .....	: Ceramic resistance (normal heating).
Ca .....	: Ceramic resistance (accelerated heating)
TP .....	: Immersion heater.
1F .....	: With fittings.
2F .....	: Without fittings.
3F .....	: With fittings and another outlet connection.
AMI .....	: With mixing valve.
SMI .....	: Without mixing valve.
PUISS .....	: Power of th appliance.
PN .....	: Appliance with normal pression.
LP .....	: Appliance with low pression.
PV .....	: Appliance with variable power.
PF .....	: Appliance with fixed power.

## IDENTIFICATION PLATE

### SERIAL NUMBER

<b>6 Characters :</b>	03 09 08	Manufacturing day Month of manufacture
<b>9 Characters :</b>	5 9 12 0606	Sequential number
<b>14 Characters :</b>	SI-V-0B0 45 07 0001	Sequential number Year of manufacture : 6 → 2004 Month of manufacture : 25 → January 43 → July 7 → 2005 Product model : 13 → February 29 → August 8 → 2006 32 → March 40 → September etc ... 35 → April 38 → October 39 → May 51 → November 45 → June 12 → December
<b>14 Characters :</b>	111518 XX 000010	Sequential number Year of manufacture
<b>15 Characters :</b>	02 11 00001 007843	Product reference Sequential number
<b>21 Characters :</b>	3200050 XX 08115 0000001	Sequential number Year (08) / Manufacturing day (115)
<b>22 Characters :</b>	3200050 XX 070115 0000001	Sequential number Year (07) / Month (01) / Manufacturing day (15)

The indications mentioned on the prices, commercial or technical literature and the scheme are written for your guidance LOJV,JL and are available at a given time. The CONSTRUCTOR retains the power to modify the presentation, the form, the size, PVMPO@IMIC n. the conception or the material of the products.