

Instruction manual  
Инструкция по эксплуатации

Deep fat fryer BR2832WH  
Фритюрница BR2832WH



## СОДЕРЖАНИЕ

EN.....	3
DE.....	12
RU.....	22
KZ.....	32

## DEEP FAT FRYER BR2832WH

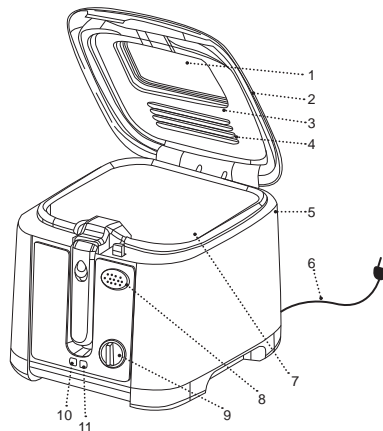
The deep fat fryer is an electrical household unit for frying of various products in deep fat.

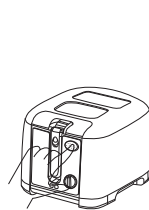
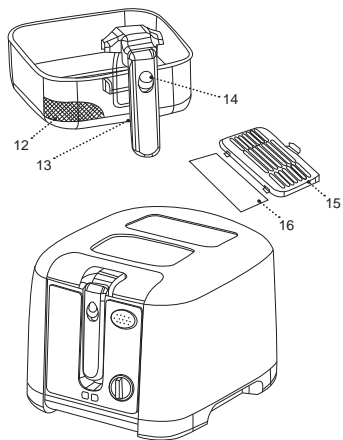
### DESCRIPTION

1. Viewing window
2. Lid
3. Lid inner surface
4. Steam outlet grid
5. Body
6. Power cord
7. Oil (frying fat) container
8. Lid opening button
9. Temperature control knob
10. Power indicator «ON»
11. Deep fryer heating indicator «HEATING»
12. Frying basket
13. Basket handle
14. Handle lock
15. Filter grid
16. Filter

### ATTENTION!

For additional protection it is reasonable to install a residual current device (RCD) with nominal operation current not exceeding 30 mA into the mains. To install RCD, contact a specialist.





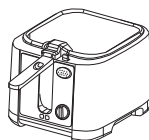
Pic. 1



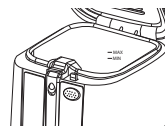
Pic. 2



Pic. 3



Pic. 4



Pic. 5

## SAFETY MEASURES AND OPERATION RECOMMENDATIONS

Read the operation manual carefully before using the press deep fat fryer ; after reading, keep it for future reference.

- Use the press deep fat fryer for its intended purpose only, as specified in this manual.
- Mishandling the deep fat fryer can lead to its breakage and cause harm to the user or damage to the user's property, which is not covered by warranty.
- Make sure that the operating voltage of the unit indicated on the label corresponds to your home mains voltage.
- Connect the power plug to the socket with reliable grounding contact.
- Do not connect the unit to external timers or remotely controlled mains sockets.
- To avoid fire, do not use adapters for plugging the press deep fat fryer in.
- Install and use the press deep fat fryer on a flat, dry, steady and heat-resistant surface with free access to the mains socket.
- Do not use the unit outdoors.
- It is recommended not to use the unit during lightning storms.
- Protect the deep fat fryer from impacts, falling, vibrations and other mechanical stress.
- Never leave the unit connected to the mains unattended.
- Do not use the unit near heating appliances, heat sources or open flame.
- Do not use the deep fat fryer in places where aerosols are used or sprayed, and in proximity to inflammable liquids.
- Do not use the deep fat fryer in proximity to the kitchen sink, in bathrooms, near swimming pools or other containers filled with water.
- If the deep fat fryer is dropped into water, unplug it immediately, and only then you can take the unit out of water. Contact our service center should you need to have the device examined or repaired.
- Do not let the power cord touch hot surfaces and sharp edges of furniture.
- The press deep fat fryer body heats up strongly during operation, do not touch hot surfaces marked.
- The deep fat fryer lid must be closed during the operation.
- Do not move the press deep fat fryer when it is hot; wait until it cools down completely.
- Use the unit in places with proper ventilation.
- Use only the removable parts supplied with the press deep fat fryer .
- Do not switch the press deep fat fryer on without products.
- Beware of steam outflow from the gaps between the lid and the body of the deep fat fryer and keep your hands and other open parts of your body away from the gaps.

- Take products out of the deep fat fryer immediately after frying; a long products keeping in the operating deep fat fryer may cause their or frying fat ignition.
  - In case of products or frying fat ignition, take the power plug out of a socket immediately, cover the deep fat fryer with a thick, and, if possible, damp and non-flammable cloth and take additional fire spread prevention measures. **DO NOT EXTINGUISH THE FLAME WITH WATER!**
  - For deep fat frying use only the basket.
  - To fill the basket with products, always take it out of frying fat, after filling the basket with products, sink it carefully into frying fat, beware of hot fat splashes.
  - If products fall out of the basket, do not take it out with any metal objects that could damage the deep fat container coating, use kitchen accessories for non-stick surfaces.
  - Unplug the unit after usage or before cleaning. When unplugging the deep fat fryer, hold the power plug and carefully remove it from the mains socket, do not pull the power cord, as this can lead to its damage and cause a short circuit.
  - Do not touch the unit body, the power cord and the power plug with wet hands.
  - For child safety reasons do not leave polyethylene bags used as packaging unattended.
- ATTENTION!** Do not allow children to play with polyethylene bags or packaging film. **Danger of suffocation!**
- The unit is not intended for usage by children.
  - Do not leave children unattended to prevent using the unit as a toy.
  - Do not allow children to touch the operating surface, the unit body, the power cord or the power plug during operation of the unit.
  - Be especially careful if children or disabled persons are near the operating unit.
  - During the unit operation and breaks between operation cycles, place the unit out of reach of children.
  - The unit is not intended for usage by physically or mentally disabled persons (including children) or by persons lacking experience or knowledge if they are not under supervision of a person who is responsible for their safety or if they are not instructed by this person on the usage of the unit.
  - From time to time check the power cord integrity.
  - If the power cord is damaged, it should be replaced by the manufacturer, a maintenance service or similar qualified personnel to avoid danger.
  - Do not repair the unit by yourself. Do not disassemble the unit by yourself, if any malfunction is detected, and after the unit was dropped, unplug it and apply to the authorized service center.
  - To avoid damages, transport the unit in the original package.
  - Keep the unit in a dry cool place out of reach of children and disabled persons.

**THE UNIT IS INTENDED FOR HOUSEHOLD USE ONLY, DO NOT USE THE UNIT FOR COMMERCIAL OR LABORATORY PURPOSES.**

## **BEFORE THE FIRST USE**

**After unit transportation or storage at negative temperature, unpack it and wait for 4 hours before using.**

- Unpack the unit and remove all the packaging materials.
- Keep the original package.
- Read the safety measures and operating recommendations.
- Check the delivery set.
- Examine the unit for damages, in case of damage do not plug it into the mains.
- Make sure that specified specifications of power supply voltage of the unit correspond to the specifications of your mains.
- Clean the deep fat fryer body (5) surface with a slightly damp cloth and then wipe it dry.
- Press the grid (15) lock and remove it, remove the filter (16) from the lid (2).
- Press the button (8) (fig. 1), the lid (2) will open (fig. 2).
- Take the lid (2) with your hands and remove it pulling upwards (pic. 3).
- Take the handle (13) and lift her to the horizontal position.

- Take the basket (12) out by the handle (13) (fig. 5).
- Wash the lid (2), the basket (12) and the filter grid (15) with warm water and neutral detergent, rinse them and wipe dry.
- Wipe the frying fat container (7) with a slightly damp cloth, then wipe it dry.
- Insert the filter (16) back to its place, install the grid (15), install the lid (2) to its installation place (pic. 3).

## **PRODUCTS FRYING**

### **ATTENTION!**

- It is recommended to use good quality vegetable oil or a multi-purpose deep fat frying oil.
- It is not recommended to mix different oils.
- Do not use an oil and fat mixture for deep fat frying, this mixture may suddenly foam and spill out of the deep fat container (7).
- If you use cooking, animal or vegetable fat, chop it into small pieces and place it in the container (7); using the temperature control knob (9), set a low temperature, after fat melting you can bring the temperature to the maximum recommended for this type of fat.

### **FRYING RECOMMENDATIONS**

- When frying several types of products, put products requiring lower processing temperature first.

- Before frying a new products portion, wait for 3-5 minutes till frying fat heats up to the required temperature.
- When the indicator (7) goes out, start cooking a new portion of products.
- Pre-cooked products require a higher frying temperature and a shorter cooking time compared to raw products.
- Frozen products must be completely defrosted beforehand, if it is not possible to completely defrost products, in this case try to remove as much ice as possible.
- If you use the deep fat fryer appropriate products, set the deep fat heating temperature according to the marking on the product packaging, if there are no such instructions, set the frying temperature to 190°C.
- Products with a high starch content (e.g. potatoes) are better fried at short intervals with periodical basket removing and shaking.
- Use the deep fat fryer in a properly ventilated place.
- Install the deep fat fryer on a flat, stable, heat-resistant surface away from moisture, heat and open flame sources and with a free socket access.
- Do not install or use the deep fat fryer near highly inflammable materials, liquids or objects that can be distorted by heat.
- Install the deep fat fryer keeping at least a 20 cm gap between the unit body and the walls and 60 cm above the deep fat fryer.
- Oil the inner surface of the viewing window of the lid (2) with vegetable oil, that will prevent condensation and let you observe the frying process.
- Pour 2-2.5 liters of oil (frying fat) into the container (7), the frying fat level should be between the «MIN» and «MAX» marks, the level marks are located on the inner surface of the container (7) (fig. 5).
- Pour frying fat into a cold container (7) only.
- Insert the power plug (6) into the socket, the power indicator (10) «ON» will light up.
- Turn the temperature control knob (9), the ready indicator (11) «HEATING» will light up. Set the required cooking temperature (see the table).

**Notes:**

- the indicator (10) «ON» lights up when the power plug (6) is connected to the mains socket and glows constantly.
- indicator (11) «HEATING» will turn off when the temperature of the deep fat is illuminated by the set temperature, the indicator will periodically light up and go out, signaling that the set temperature of the deep fat is being maintained.



Products	Temperature (°C)	Weight (g.)	Approximate frying time (min.)
Shrimps	170	200	3-5
Mushrooms	170	150	6-8
Fish fillet	170	250	5-8
Lump meat	180	250	8-12
Steak	180	250	8-15
Chicken fillet pieces in breadcrumbs	190	300	10-15
Thin potato chips	190	300	10-12
French fries	190	250	8-12

**Notes:** the table information is for recommendation only, if you find the frying result unsatisfactory, in this case change the products amount or the frying time.

- When frying fat heats up to the set temperature, the indicator (11) will go out.
- Put the necessary amount of food into the basket (12) (the food should be dry, if it is frozen, defrost it or try to shake off as much ice as possible).
- Make sure that no water drops get into frying fat, otherwise the heated fat splashes.
- Press the button (8) (fig. 1), the lid (2) will open (fig. 2).
- Holding the handle (13), sink the basket (12) carefully into frying fat.

- Close the lid (2), press and hold the lock (14) and let the handle (13) down, release the lock (14).
- The deep fat fryer lid (2) must be closed during the operation.
- Beware of steam outflow from the grid (15) and the gaps between the lid (2) and the deep fat fryer body (5) and keep your hands and other open parts of your body away from the grid (15) and the gaps.
- At the end of products frying, turn the unit off and turning the temperature control knob (9) counterclockwise until bumping, and disconnect the power plug (6) from a mains socket.
- Press the button (8) (fig. 1), hold the lid (2) and open it slowly.
- To avoid hot steam burning, do not lean over the deep fat fryer or hold your hands over the deep fat container (7).
- Take hold of the handle (13) and lift it to a horizontal position, wait for a while to allow the oil to drain out.
- Holding the handle (13), remove the basket (12) from the deep fryer, then place the cooked product from the basket (12) into a suitable container.

**Notes:**

- when switching the unit on for the first time, a foreign smell or some smoke from the heating element can appear - this is acceptable and not a warranty case;
- before eating products, make sure they are completely fried;

- Take products out of the deep fat fryer immediately after frying; a long products keeping in frying fat may cause their or fat ignition.
- In case of products or frying fat ignition, take the power plug out of a socket immediately, cover the deep fat fryer with a thick, and, if possible, damp and non-flammable cloth and take additional fire spread prevention measures.

### **DO NOT EXTINGUISH THE FLAME WITH WATER!**

- After products frying and switching the deep fat fryer off, wait until frying fat cools down completely.
- Tilt the deep fryer and pour the frying fat out from the container (7). Do not drain the frying fat down the sink, but dispose of it with other household waste.
- Change frying fat regularly (after approx. 8-12 fryings).
- Frying fat must be changed if it has become too dark and thick, if it starts to bubble when heated, smells or tastes bad.
- If frying fat can be used further, filter it, pour into a container with a leakproof lid and store in the refrigerator until next use.

### **CLEANING AND CARE**

- Clean the deep fryer after every use.
- Switch the deep fryer off by turning the temperature control knob (9) counterclockwise until bumping,

- disconnect the power plug (6) from the mains and wait until the deep fryer cools down completely.
- Press on the grid lock (15) and remove it, remove the filter (16) from the lid (2).
- Put the filter (16) in a container with cleaning solution, after a while wash it and dry.
- Open the lid (2), remove the basket (12), remove the lid (2) (pic. 3).
- Pour the frying fat out from the container (7).
- Wash the lid (2) and the basket (12) with warm water and neutral detergent, rinse them and wipe dry.
- Wash the inside of the frying fat container (7) by pouring in a small amount of neutral detergent, then rinse and wipe dry.
- Wipe the deep fat fryer body (5) surface with a slightly damp cloth, then dry up.
- Be careful not to get moisture inside the deep fat fryer body (5).
- Do not use metal sponges, abrasives and solvents to clean the deep fat fryer parts.
- Do not immerse the deep fat fryer body (5), the power cord and the power plug in water or any other liquids.

### **STORAGE**

- Clean all removable parts before storing the deep fat fryer.
- Keep the unit in a dry cool place out of reach of children and disabled persons.

## DELIVERY SET

1. Deep fat fryer – 1 pc.
2. Instruction manual – 1 pc.

## TECHNICAL SPECIFICATIONS

- Power supply: 220-240 V, ~ 50 Hz
- Rated input power: 1800 W
- Oil (frying fat) volume: 2,5 liters

## RECYCLING



To prevent possible damage to the environment or harm to the health of people by uncontrolled waste disposal, after service life expiration of the unit or the batteries (if included), do not discard them with usual household waste, deliver the unit and the

batteries to specialized centers for further recycling.

The waste generated during the disposal of the unit is subject to mandatory collection and consequent disposal in the prescribed manner.

For further information about recycling of this product apply to a local municipal administration, a disposal service or to the shop where you purchased this product.

The manufacturer reserves the right to change the appearance, design and specifications not affecting general operation principles of the unit, without prior notice.

**The unit operating life is 3 years**

**The manufacturing date is specified in the serial number.**

**In case of any malfunctions promptly apply to the authorized service center.**

## FRITTEUSE BR2832WH

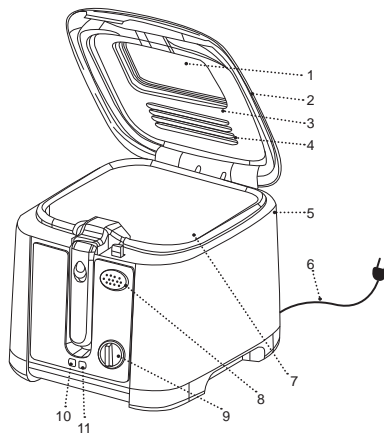
Die Fritteuse ist ein elektrisches Haushaltsgerät zum Frittieren verschiedener Nahrungsmittel.

### BESCHREIBUNG

1. Sichtfenster
2. Deckel
3. Deckelinnenfläche
4. Dampfauslassgitter
5. Gehäuse
6. Netzkabel
7. Ölbecken (Frittierbecken)
8. Deckelöffner
9. Temperaturregler
10. Netzanzeige «EIN»
11. Frittüre-Aufheizanzeige «AUFHEIZEN»
12. Korb für Nahrungsmittel
13. Handgriff des Korbs
14. Handgriffssperre
15. Filtergitter
16. Filter

### ACHTUNG!

Als zusätzlicher Schutz ist es zweckmäßig, den FI-Schalter mit Nennstrom bis 30 mA im Stromversorgungskreis aufzustellen; wenden Sie sich dafür an einen Spezialisten.



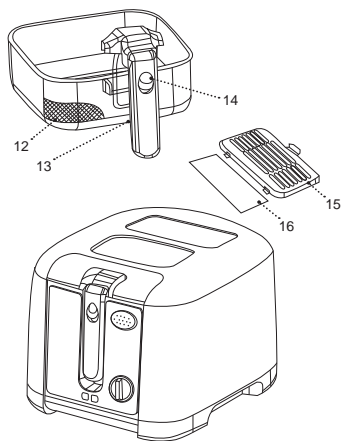


Abb. 1



Abb. 2



Abb. 3

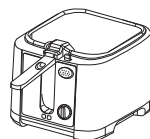


Abb. 4

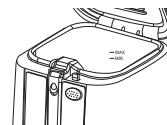


Abb. 5

## SICHERHEITSHINWEISE UND GEBRAUCHSANLEITUNG

**Bevor Sie den Friteuse benutzen, lesen Sie die Bedienungsanleitung aufmerksam durch und bewahren Sie sie zum späteren Gebrauch auf.**

- Benutzen Sie den Friteuse nur bestimmungsmäßig und laut dieser Bedienungsanleitung.
- Der Missbrauch des Geräts kann zu seiner Störung führen, den Benutzer oder sein Eigentum beschädigen und ist kein Garantiefall.
- Vergewissern Sie sich, dass die auf dem Bezeichnungszettel angegebene Betriebsspannung und die Netzspannung übereinstimmen.
- Stecken Sie den Netzstecker in eine Steckdose mit einem zuverlässigen Erdungskontakt.
- Schließen Sie das Gerät an keine externen Timer oder elektrischen Steckdosen mit Fernbedienung an.
- Verwenden Sie keine Adapterstecker beim Anschließen des Friteuses ans Stromnetz, um das Brandrisiko zu vermeiden.
- Stellen und benutzen Sie den Friteuse auf einer ebenen, trockenen, standfesten und hitzebeständigen Oberfläche mit immer freiem Zugang zur Steckdose auf.
- Es ist nicht gestattet, das Gerät draußen zu benutzen.
- Es ist nicht empfohlen, das Gerät bei Gewitter zu benutzen.
- Schützen Sie den Friteuse vor Stößen, Stürzen, Vibrationen und anderen mechanischen Einwirkungen.
- Lassen Sie das ans Stromnetz angeschlossene Gerät nie unbeaufsichtigt.
- Benutzen Sie das Gerät in direkter Nähe von Heizgeräten, Wärmequellen oder offenem Feuer nicht.
- Es ist verboten, den Friteuse an den Orten, wo Sprays verwendet werden, sowie in der Nähe von leichtentzündbaren Flüssigkeiten, zu benutzen.
- Benutzen Sie den Friteuse in der Nähe von Spülbecken, in Badezimmern und neben den Wasserbecken oder anderen mit Wasser gefüllten Behältern nicht.
- Falls der Friteuse ins Wasser gefallen ist, ziehen Sie den Netzstecker aus der Steckdose sofort heraus, erst danach holen Sie das Gerät aus dem Wasser heraus. Wenden Sie sich an einen autorisierten Kundendienst, um das Gerät prüfen oder reparieren zu lassen.
- Achten Sie darauf, dass das Netzkabel heiße Oberflächen und scharfe Möbelkanten nicht berührt.
- Während des Betriebs wird das Friteusegehäuse stark erhitzt, berühren Sie die heißen Oberflächen nicht, um Verbrennungen zu vermeiden.
- Der Friteusedeckel soll beim Betrieb geschlossen sein.
- Bewegen Sie den heißen Friteuse nicht, warten Sie

ab, bis er vollständig abkühlt.

- Benutzen Sie das Gerät in gut belüfteten Räumen.
- Benutzen Sie nur die mitgelieferten abnehmbaren Friteuseteile.
- Schalten Sie den Friteuse ohne Lebensmittel nicht ein.
- Hüten Sie sich vor dem Dampfaustritt aus den Lücken zwischen dem Deckel und dem Gehäuse der Friteuse und halten Sie Ihre Hände und andere offene Körperteile von den Lücken fern.
- Nehmen Sie die Nahrungsmittel nach dem Frittieren aus der Friteuse sofort heraus; wenn die Nahrungsmittel in der Friteuse lang bleiben, können sie oder Frittüre entzünden.
- Bei einer Nahrungsmittel- oder Frittürentzündung ziehen Sie den Netzstecker aus der Steckdose sofort heraus, decken Sie die Friteuse mit einem dicken, feuchten und nach Möglichkeit nichtbrennbaren Tuch ab und treffen Sie die Feuerverhinderungsmaßnahmen. **LÖSCHEN SIE DIE FLAMME MIT WASSER NICHT!**
- Verwenden Sie zum Frittieren immer nur den Korb.
- Um den Korb mit Nahrungsmitteln zu füllen, nehmen Sie ihn immer aus Frittüre heraus; nachdem Sie den Korb mit Nahrungsmitteln gefüllt haben, tauchen Sie ihn in Frittüre vorsichtig ein und hüten Sie sich vor heißen Frittürespritzern.
- Wenn Nahrungsmittel aus dem Korb herausfallen, nehmen Sie sie mit keinen Metallgegenständen,

die die Frittürebehälterbeschichtung beschädigen können, Verwenden Sie das Küchenzubehör für antihafbeschichtete Oberflächen.

- Trennen Sie das Gerät nach dem Gebrauch oder vor der Reinigung vom Stromnetz unbedingt ab. Wenn Sie den Friteuse vom Stromnetz abtrennen, halten Sie den Netzstecker fest und ziehen Sie ihn aus der Steckdose vorsichtig heraus; ziehen Sie das Netzkabel nicht, da es zu seiner Beschädigung und einem Kurzschluss führen kann.
- Berühren Sie das Gerätegehäuse, das Netzkabel und den Netzstecker mit nassen Händen nicht.
- Aus Kindersicherheitsgründen lassen Sie Plastiktüten, die als Verpackung verwendet werden, nie ohne Aufsicht.

**ACHTUNG!** Lassen Sie Kinder mit Plastiktüten oder Verpackungsfolien nicht spielen. **Erststickungsgefahr!**

- Das Gerät ist nicht für Kinder bestimmt.
- Beaufsichtigen Sie Kinder, damit sie das Gerät als Spielzeug nicht benutzen.
- Lassen Sie Kinder die Arbeitsfläche, das Gerätegehäuse, das Netzkabel oder den Netzstecker während des Gerätebetriebs nicht berühren.
- Besondere Vorsichtsmaßnahmen sind in den Fällen angesagt, wenn sich Kinder oder behinderte Personen während des Gerätebetriebs in der Nähe aufhalten.

- Während des Betriebs und der Pausen zwischen den Betriebszyklen stellen Sie das Gerät an einen für Kinder unzugänglichen Ort auf.
- Dieses Gerät ist für Personen (darunter Kinder) mit Körper-, Nerven- und Geistesstörungen oder Personen ohne ausreichende Erfahrung und Kenntnisse nicht geeignet, wenn sie sich unter Aufsicht der Person, die für ihre Sicherheit verantwortlich ist, nicht befinden oder entsprechende Anweisungen über die Nutzung des Geräts nicht bekommen haben.
- Prüfen Sie die Unversehrtheit des Netzkabels von Zeit zu Zeit.
- Wenn das Netzkabel beschädigt ist, soll es vom Hersteller, vom Kundendienst oder von ähnlich qualifiziertem Personal ersetzt werden, um Gefahren zu vermeiden.
- Es ist nicht gestattet, das Gerät selbständig zu reparieren. Es ist nicht gestattet, das Gerät selbständig auseinanderzunehmen; bei der Feststellung jeglicher Beschädigungen, sowie im Sturzfall, trennen Sie es vom Stromnetz ab und wenden Sie sich an einen Kundendienst.
- Um Beschädigungen zu vermeiden, transportieren Sie das Gerät nur in der Fabrikverpackung.
- Bewahren Sie das Gerät an einem trockenen, kühlen und für Kinder und behinderte Personen unzugänglichen Ort auf.

**DAS GERÄT IST NUR FÜR DEN GEBRAUCH IM HAUSHALT GEEIGNET, ES IST VERBOTEN, DAS GERÄT ZU GESCHÄFTS- ODER LABORZWECKEN ZU BENUTZEN.**

### VOR DER ERSTEN NUTZUNG

**Packen Sie das Gerät aus und warten Sie 3 Stunden, bevor Sie es bei einer negativen Temperatur transportieren oder bewahren.**

- Packen Sie das Gerät aus und entfernen Sie alle Verpackungsmaterialien.
- Bewahren Sie die Originalverpackung auf.
- Lesen Sie die Sicherheitsmaßnahmen und Bedienungsempfehlungen durch.
- Prüfen Sie die Komplettheit.
- Prüfen Sie das Gerät auf Beschädigungen; wenn es beschädigt ist, schließen Sie es ans Stromnetz nicht an.
- Vergewissern Sie sich, dass die angegebenen Parameter der Geräteversorgungs- und die Stromnetzparameter übereinstimmen. Beim 60-Hz-Stromnetz-Gerätebetrieb sind keine zusätzlichen Maßnahmen erforderlich.
- Wischen Sie das Friteusegehäuse (5) mit einem leicht angefeuchteten Tuch, danach trocknen Sie es ab.
- Auf die Gittersperre (15) drücken, den Deckel abnehmen und den Filter (16) aus dem Deckel (2) entnehmen.



- Drücken Sie die Taste (8) (Abb. 1), der Deckel (2) macht sich auf. (Abb. 2)
- Den Deckel (2) fassen und nach oben abnehmen (Abb. 3).
- Fassen Sie den Griff (13) an, heben Sie den Griff in eine horizontale Position auf.
- Halten Sie den Griff (13) fest und nehmen Sie den Korb (12) heraus (Abb. 4).
- Den Deckel (2), den Korb ((12), das Filtergitter (15) mit Warmwasser und neutralem Spülmittel waschen, abspülen und trockenreiben.
- Das Frittierbecken (7) mit feuchtem Tuch abwischen, dann trockenreiben.
- Das Filter (16) wieder einsetzen, das Gitter (15) installieren, den Deckel (2) in die Aufnahme einsetzen (Abb. 3).

## NAHRUNGSMITTELFRITTIEREN

### ACHTUNG!

- Es ist empfohlen, ein hochwertiges Pflanzenöl oder ein universales Frittieröl zu verwenden.
- Es ist nicht empfohlen, verschiedene Öle zu mischen.
- Verwenden Sie zum Frittieren keine Fett- und Ölmischung; solche Mischung kann plötzlich schäumen und aus dem Fritturebehälter (7) herausfließen.
- Wenn Sie Koch-, tierisches oder pflanzliches Fett verwenden, hacken Sie es in kleine Stücke und

legen Sie es in den Behälter (7), stellen Sie eine niedrige Temperatur mit dem Temperaturregler (9) ein, nach dem Fettschmelzen können Sie die Temperatur auf das für dieses Fett empfohlene Maximum bringen.

## EMPFEHLUNGEN ZUM FRITTIEREN

- Beim Frittieren einiger Nahrungsmittelarten laden Sie zuerst die Nahrungsmittel, die eine niedrigere Temperatur erfordern.
- Warten Sie vor dem Frittieren einer neuen Nahrungsmittelportion 3-5 Minuten, bis Fritttüre eine gewünschte Temperatur erreicht.
- Wenn die Anzeige (11) erlischt, frittieren Sie eine neue Portion.
- Thermisch vorbearbeitete Nahrungsmittel brauchen eine höhere Frittieretemperatur und kürzere Frittierzeit im Vergleich zu rohen Nahrungsmitteln.
- Eingefrorene Nahrungsmittel müssen vorher vollständig aufgetaut werden; wenn es nicht möglich ist, Nahrungsmittel vollständig aufzutauen, dann schütteln Sie davon so viel Eis wie möglich ab.
- Wenn Sie zum Frittieren geeignete Nahrungsmittel verwenden, stellen Sie die Fritttüreheiztemperatur nach der Kennzeichnung auf der Produktverpackung ein, bei keinen solchen Anweisungen stellen Sie die Frittieretemperatur auf 190°C ein.

- Nahrungsmittel mit hohem Stärkegehalt (z.B. Kartoffeln) werden am besten mit kleinen Pausen frittiert, indem Sie den Korb ab und zu herausnehmen und die Korbfüllung schütteln.
- Benutzen Sie die Fritteuse in gut belüfteten Räumen.
- Benutzen Sie die Fritteuse auf einer ebenen, standfesten und wärmebeständigen Oberfläche fern von Feuchtigkeits-, Wärmequellen und offenem Feuer so auf, dass ein freier Zugang zu einer Steckdose gewährt wird.
- Stellen und benutzen Sie die Fritteuse in keiner Nähe von leichtentzündbaren Materialien, Flüssigkeiten oder Gegenständen, die durch Wärme verzogen werden können.
- Stellen Sie die Fritteuse so auf, dass die Wänden und das Fritteusegehäuse relativ zueinander mindestens 20 cm entfernt sind und der Freiraum über der Fritteuse mindestens 60 cm beträgt.
- Schmier Sie die Innenfläche des Sichtfensters des Deckels (2) mit Pflanzenöl, das Öl verhindert die Kondensatbildung, und Sie können den Frittiervorgang überwachen.
- Gießen Sie 2-2,5 Liter Öl (Frittüre) in den Behälter (7) ein, der Frittürefüllstand soll zwischen den „MIN“- und „MAX“-Markierungen liegen, die Füllstandsmarkierungen befinden sich auf der Innenfläche des Behälters (7) (Abb. 5).
- Gießen Sie Frittüre nur in einen kalten Behälter (7).
- Den Netzstecker (6) in die Steckdose stecken, die Netzanzeige (10) «EIN» leuchtet auf.

- Den Griff des Temperaturreglers (9) drehen, die Bereitschaftsanzeige (11) «AUFHEIZEN» leuchtet auf, dann die gewünschte Temperatur für die Nahrungsmittelzubereitung einstellen (siehe die Tabelle).

#### Anmerkungen:

- die Anzeige 10) «EIN» leuchtet auf, wenn der Netzstecker (6) in der Steckdose ist, leuchtet sie ununterbrochen;
- die „WORKING“-Anzeige (11) erlischt, wenn die Frittüretemperatur die eingestellte Temperatur erreicht; die Anzeige leuchtet und erlischt periodisch, um anzuzeigen, dass die eingestellte Frittüretemperatur gehalten wird.

Nahrungsmittel	Temperatur (°C)	Gewicht (g.)	Ungefähre Fritierzeit (min.)
Krevetten	170	200	3-5
Pilze	170	150	6-8
Fischfilet	170	250	5-8
Stückfleisch	180	250	8-12
Steak	180	250	8-15
Hühnerfiletstücke in Panierbrösel	190	300	10-15
Dünne Kartoffelchips	190	300	10-12
Pommes frites	190	250	8-12

**Anmerkung: die in der Tabelle angegebenen Angaben sind nur zur Empfehlung angeführt; wenn Sie mit dem Frittierergebnis nicht zufrieden sind, ändern Sie in diesem Fall die Nahrungsmittelmenge oder die Frittierzeit.**

- Wenn die Frittüre die eingestellte Temperatur erreicht, erlischt die Anzeige (11).
- In den Korb (12) die gewünschte Nahrungsmittelmenge legen (die Nahrungsmittel müssen trocken sein, wenn es sich um Gefrierzeugnisse handelt, dann diese auftauen lassen oder von diesen möglichst viel Eis abschütteln).
- Achten Sie darauf, dass keine Wassertropfen in Frittüre gelangen; wenn Wassertropfen in erhitzte Frittüre gelangen, spritzt sie sich aus.
- Drücken Sie die Taste (8) (Abb. 1), der Deckel (2) macht sich auf (Abb. 2).
- Halten Sie den Griff (13) fest und tauchen Sie den Korb (12) vorsichtig in Frittüre vorsichtig ein.
- Machen Sie den Deckel (2) zu, halten Sie die Verriegelung (14) gedrückt, lassen Sie den Griff (13) herunter und lassen Sie die Verriegelung (14) los.
- Der Fritteusedeckel (2) soll beim Betrieb geschlossen sein.
- Hüten Sie sich vor dem Dampfaustritt aus dem Gitter (15) und den Lücken zwischen dem Deckel (2) und dem Gehäuse (5) der Fritteuse und halten Sie Ihre Hände und andere offene Körperteile vom Gitter (15) und den Lücken fern.

- Nach dem Frittieren schalten Sie das Gerät aus, den Temperaturregler (9) bis zum Anschlag entgegen dem Uhrzeigersinn drehen und der Netzstecker (6) aus der Steckdose herausziehen.
- Drücken Sie die Taste (8) (Abb. 1), halten Sie den Deckel (2) und machen Sie ihn langsam auf.
- Beugen Sie sich über der Fritteuse nicht und halten Sie Ihre Hände über dem Frittürebehälter (7) nicht, um Heißdampfverbrühungen zu vermeiden.
- Den Handgriff (13) fassen und ihn senkrecht aufklappen, eine Weile abwarten, bis das Öl abläuft.
- Am Handgriff (13) den Korb (12) aus der Fritteuse entnehmen, dann fertige Nahrungsmittel aus dem Korb (12) in einen passenden Behälter legen.

#### **Anmerkungen:**

- bei erster Geräteeinschaltung können ein Fremdgeruch und eine kleine Menge Rauch vom Heizelement entstehen, es ist normal und kein Garantiefall;
- vergewissern Sie sich vor dem Essen, dass die Nahrungsmittel ganz frittiert sind.
- nehmen Sie die Nahrungsmittel nach dem Frittieren aus der Fritteuse sofort heraus; wenn die Nahrungsmittel in der Fritteuse lang bleiben, können sie oder Frittüre entzünden.

**Bei einer Nahrungsmittel- oder Frittürentzündung ziehen Sie den Netzstecker aus der Steckdose sofort heraus, decken Sie die Fritteuse mit einem dicken, feuchten und nach Möglichkeit**

### nichtbrennbaren Tuch ab und treffen Sie die Feuerverhinderungsmaßnahmen.

#### LÖSCHEN SIE DIE FLAMME MIT WASSER NICHT!

- Warten Sie nach dem Frittieren und Ausschalten der Fritteuse ab, bis Frittüre vollständig abkühlt.
- Die Fritteuse neigen und das Fritieröl aus dem Becken (7) abschütten. Das Fritieröl ist nicht in den Waschbecken abzuschütten, sondern zusammen mit sonstigem Hausmüll zu entsorgen.
- Wechseln Sie Frittüre regelmäßig (nach ca. 8-12 Frittieren).
- Frittüre soll ersetzt werden, wenn sie zu dunkel und dick geworden ist, wenn es beim Erhitzen zu sprudeln beginnt oder einen unangenehmen Geruch oder Geschmack hat.
- Wenn Frittüre für weitere Verwendung geeignet ist, filtern Sie sie, gießen Sie sie in ein Geschirr mit luftdichtem Deckel und lagern Sie sie bis zur nächsten Verwendung im Kühlschrank.

#### REINIGUNG UND PFLEGE

- Die Fritteuse ist nach jeder Nutzung zu reinigen.
- Den Temperaturregler (9) gegen Uhrzeigersinn bis zum Anschlag drehen, um die Fritteuse auszuschalten, den Netzstecker (6) aus der Steckdose ziehen, abwarten, bis die Fritteuse vollständig abgekühlt ist.
- Die Gittersperre (15) drücken und das Gitter abnehmen, den Filter (16) aus dem Deckel (2) entnehmen.

- Den Filter (16) in einen Behälter mit Spüllösung legen, nach einer Weile spülen und trocknen.
- Den Deckel (2) öffnen, den Korb (12) entnehmen, den Deckel (2) abnehmen (Bild 3).
- Fritieröl aus dem Becken (7) abschütten.
- Den Deckel (2), den Korb (12) mit Warmwasser und neutralem Spülmittel waschen, abspülen und trockenreiben.
- In das Frittierbecken (7) etwas neutrales Waschmittel zugeben, es von innen waschen, abspülen und trockenreiben.
- Wischen Sie die Oberfläche des Fritteusegehäuses (5) mit einem leicht feuchten Tuch und trocknen Sie sie dann ab.
- Achten Sie darauf, dass keine Feuchtigkeit ins Fritteusegehäuse (5) gelangt.
- Es ist verboten, Metallschwämme, Schleifreinigungs- oder Lösungsmittel zum Reinigen von den Fritteusenteilen zu verwenden.
- Tauchen das Fritteusegehäuse (5), das Netzkabel und den Netzstecker ins Wasser oder jegliche andere Flüssigkeiten nicht ein.

#### AUFBEWAHRUNG

- Reinigen Sie alle abnehmbaren Teile, bevor Sie die Fritteuse wegnehmen.
- Bewahren Sie das Gerät an einem trockenen, kühlen und für Kinder und behinderte Personen unzugänglichen Ort auf.

## LIEFERUMFANG

1. Fritteuse – 1 Stk.
2. Bedienungsanleitung – 1 Stk.

## TECHNISCHE ANGABEN

- Stromversorgung 220-240 V ~ 50 Hz
- Nennleistungsaufnahme: 1800 W
- Öl(Fritte)evolumen: 2,5 Liter

## ENTSORGUNG



Um ein mögliches Schaden für die Umwelt oder die menschliche Gesundheit durch unkontrollierte Abfallentsorgung zu vermeiden, werfen Sie das Gerät und die Batterien (falls mitgeliefert) nach Beendigung ihrer Nutzungsdauer

zusammen mit gewöhnlichen Haushaltsabfällen nicht weg, geben Sie das Gerät und die Batterien in die Spezialpunkte für weitere Entsorgung über.

Die bei der Entsorgung der Erzeugnisse entstehenden Abfälle sind unbedingt zu sammeln und weiter ordnungsmäßig zu entsorgen.

Mehrere Information zur Entsorgung dieses Lebensmittels erhalten Sie bei Ihrer lokalen Stadtverwaltung, einem Abfallentsorgungsdienst oder beim Geschäft, wo Sie dieses Lebensmittel gekauft haben.

Der Hersteller behält sich das Recht vor, das Design, die Konstruktion und die das gemeine Gerätebetriebsprinzip nicht beeinflussende technische Eigenschaften ohne Vorbenachrichtigung zu verändern.

**Die Gerätenutzungsdauer beträgt 3 Jahre**

**Das Herstellungsdatum ist in der Fabrikationsnummer angegeben.**

**Bei Störungsfeststellung wenden Sie sich baldigst an einen autorisierten Kundendienst.**

## ФРИТЮРНИЦА BR2832WH

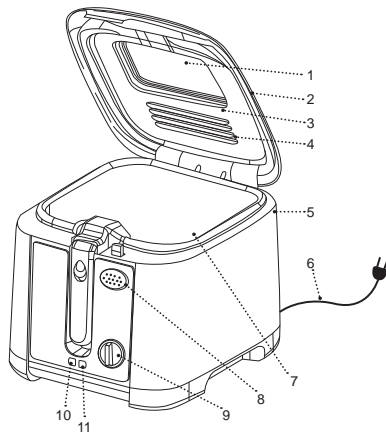
Фритюрница – это бытовое электрическое устройство, предназначенное для приготовления различных продуктов во фритюре.

### ОПИСАНИЕ

1. Смотровое окно
2. Крышка
3. Внутренняя поверхность крышки
4. Решётка для выхода пара
5. Корпус
6. Шнур питания
7. Ёмкость для масла (фритюра)
8. Клавиша открывания крышки
9. Регулятор температуры
10. Индикатор включения в сеть «ВКЛЮЧЕНИЕ»
11. Индикатор разогрева фритюра «НАГРЕВ»
12. Корзина для продуктов
13. Ручка корзины
14. Фиксатор ручки
15. Решётка фильтра
16. Фильтр

### ВНИМАНИЕ!

Для дополнительной защиты в цепи питания целесообразно установить устройство защитного отключения (УЗО) с номинальным током срабатывания, не превышающим 30 мА, для установки УЗО обратитесь к специалисту.



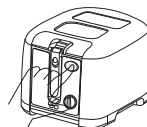
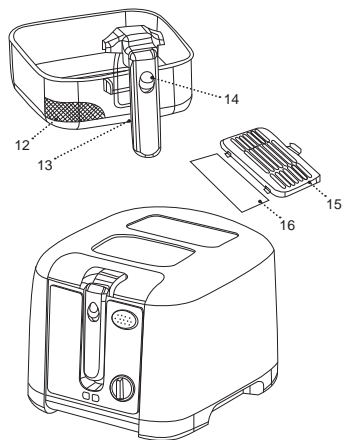


Рис. 1



Рис. 2



Рис. 3

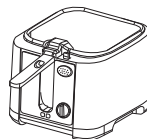


Рис. 4

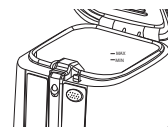


Рис. 5

## МЕРЫ БЕЗОПАСНОСТИ И РЕКОМЕНДАЦИИ ПО ЭКСПЛУАТАЦИИ

**Перед использованием фритюрницы внимательно ознакомьтесь с руководством по эксплуатации, после прочтения сохраните его для использования в будущем.**

- Используйте фритюрницу только по её прямому назначению, как изложено в данной инструкции.
- Неправильное обращение с фритюрницей может привести к её поломке, причинению вреда пользователю или его имуществу и не является гарантийным случаем.
- Убедитесь, что рабочее напряжение устройства, указанное на этикетке, соответствует напряжению электросети.
- Вилку шнура питания вставляйте в электрическую розетку, имеющую надёжный контакт заземления. При коротком замыкании, заземление снижает риск поражения электрическим током.
- Обратитесь к специалисту-электрику, если вы не уверены в том, что ваши розетки правильно установлены и заземлены.
- Запрещается подключать устройство к внешним таймерам или к электрическим розеткам с дистанционным управлением.
- Во избежание риска возникновения пожара, запрещается использовать «переходники» при подключении фритюрницы к электрической розетке.
- Устанавливайте и используйте фритюрницу на ровной, сухой, устойчивой, термостойкой поверхности так, чтобы доступ к сетевой розетке всегда был свободным.
- Запрещается использовать устройство вне помещений.
- Не рекомендуется использовать устройство во время грозы.
- Оберегайте фритюрницу от ударов, падений, вибраций и иных механических воздействий.
- Не оставляйте устройство, включённое в сеть, без присмотра.
- Не используйте устройство в непосредственной близости от нагревательных приборов, источников тепла или открытого пламени.
- Запрещается использовать фритюрницу в местах, где используются или распыляются аэрозоли, а также вблизи от легковоспламеняющихся жидкостей.
- Не используйте фритюрницу вблизи от кухонной раковины, в ванных комнатах, около бассейнов или других ёмкостей, наполненных водой.
- Если фритюрница упала в воду, немедленно выньте вилку шнура питания из электрической розетки, и только после этого можно достать устройство из воды. Обратитесь в сервисный центр для осмотра или ремонта устройства.
- Не допускайте, чтобы шнур питания касался горячих поверхностей и острых кромок мебели.



- Во время работы корпус фритюрницы и верхняя крышка сильно нагревается, во избежание получения ожогов не дотрагивайтесь до горячих поверхностей.
- Во время работы крышка фритюрницы должна быть закрыта.
- Не перемещайте горячую фритюрницу, дождитесь полного её остывания.
- Используйте устройство в местах с хорошей вентиляцией.
- Используйте только те детали фритюрницы, которые входят в комплект поставки.
- Запрещается включать устройство, если во фритюрнице нет продуктов.
- Остерегайтесь выхода пара из зазоров между крышкой и корпусом фритюрницы, не подносите руки и не располагайте другие открытые участки тела близко к зазорам.
- Вынимайте продукты из фритюрницы сразу после приготовления, при длительном нахождении продуктов во включённой фритюрнице может произойти их возгорание или возгорание фритюра.
- В случае возгорания продуктов или фритюра, немедленно выньте вилку шнура питания из электрической розетки, накройте фритюрницу плотной, по возможности влажной и негорючей, тканью, примите дополнительные меры к нераспространению огня. **НЕ ЗАЛИВАЙТЕ ПЛАМЯ ВОДОЙ!**
- Для поджаривания во фритюре всегда используйте только корзину.
- Для наполнения корзины продуктами, всегда вынимайте её из фритюра, после наполнения корзины продуктами, аккуратно опустите её во фритюр, остерегайтесь брызг от горячего фритюра.
- Если продукты выпали из корзины, запрещается их извлекать металлическими предметами, которые могут повредить покрытие ёмкости для фритюра, используйте кухонные аксессуары, предназначенные для антипригарных поверхностей.
- Отключайте устройство от электросети после использования или перед чисткой. При отключении фритюрницы от электрической сети держитесь за вилку шнура питания и аккуратно выньте её из электрической розетки, не тяните за шнур питания — это может привести к его повреждению и вызвать короткое замыкание.
- Не прикасайтесь к корпусу устройства, к шнуру питания и к вилке шнура питания мокрыми руками.
- Из соображений безопасности детей не оставляйте полиэтиленовые пакеты, используемые в качестве упаковки, без надзора.

**ВНИМАНИЕ!** Не разрешайте детям играть с полиэтиленовыми пакетами или упаковочной плёнкой.  
**Опасность удушья!**

- Устройство не предназначено для использования детьми.
- Осуществляйте надзор за детьми, чтобы не допустить использования устройства в качестве игрушки.
- Не разрешайте детям прикасаться к корпусу устройства, к шнуру питания или к вилке шнура питания во время работы устройства.
- Будьте особенно внимательны, если поблизости от работающего устройства находятся дети или лица с ограниченными возможностями.
- Во время работы и в перерывах между рабочими циклами размещайте устройство в местах, недоступных для детей.
- Прибор не предназначен для использования лицами (включая детей) с пониженными физическими, сенсорными, психическими или умственными способностями, или при отсутствии у них опыта или знаний, если они не находятся под контролем или не проинструктированы лицом, ответственным за их безопасность, об использовании прибора.
- Периодически проверяйте целостность шнура питания.
- При повреждении шнура питания его замену, во избежание опасности, должны производить изготовитель, сервисная служба или подобный квалифицированный персонал.
- Запрещается самостоятельно ремонтировать устройство. Не разбирайте устройство самостоятельно, при возникновении любых неисправностей, а также после падения устройства отключите его от

электросети и обратитесь в авторизованный сервисный центр.

- Во избежание повреждений перевозите устройство в заводской упаковке.
- Храните устройство в сухом прохладном месте, недоступном для детей и людей с ограниченными возможностями.

**УСТРОЙСТВО ПРЕДНАЗНАЧЕНО ТОЛЬКО ДЛЯ БЫТОВОГО ИСПОЛЬЗОВАНИЯ, ЗАПРЕЩАЕТСЯ ИСПОЛЬЗОВАТЬ УСТРОЙСТВО В КОММЕРЧЕСКИХ ИЛИ ЛАБОРАТОРНЫХ ЦЕЛЯХ.**

### **ПЕРЕД ПЕРВЫМ ИСПОЛЬЗОВАНИЕМ**

**После транспортировки или хранения устройства при отрицательной температуре распакуйте его и подождите 3 часа перед использованием.**

- Распакуйте устройство и удалите все упаковочные материалы.
- Сохраните заводскую упаковку.
- Ознакомьтесь с мерами безопасности и рекомендациями по эксплуатации.
- Проверьте комплектацию.
- Осмотрите устройство на наличие повреждений, при наличии повреждений не включайте его в сеть.
- Убедитесь, что указанные параметры напряжения питания устройства соответствуют параметрам электрической сети.
- Протрите поверхность корпуса фритюрницы (5) слегка влажной тканью, после чего вытрите насухо.

- Выньте фильтр (16) из крышки (2) (рис. 3).
- Нажмите на фиксатор решётки (15) и снимите её, выньте фильтр (16) из крышки (2).
- Нажмите на клавишу (8) (рис. 1), крышка (2) откроется (рис. 2).
- Возьмитесь руками за крышку (2) и снимите её по направлению вверх (рис. 3).
- Возьмитесь за ручку и поднимите её в горизонтальное положение (13).
- Держась за ручку (13) выньте корзину (12) (рис. 4).
- Промойте крышку (2), корзину (12), решётку фильтра (15) тёплой водой с использованием нейтрального моющего средства, ополосните, затем вытрите насухо.
- Протрите ёмкость для фритюра (7) слегка влажной тканью, после этого вытрите насухо.
- Вставьте на место фильтр (16), установите решётку (15), вставьте крышку (2) в место её установки (рис. 3).

## ПРИГОТОВЛЕНИЕ ПРОДУКТОВ.

### ВНИМАНИЕ!

- Рекомендуется использовать растительное масло хорошего качества или универсальное масло для фритюра.
- Не рекомендуется смешивать различные сорта масел.
- Запрещается использовать для фритюра смесь жира и масла, такая смесь может неожиданно вспениться и вылиться из ёмкости для фритюра (7).
- Если вы используете поварской жир, животный или растительный, измельчите его на мелкие кусочки и поместите в ёмкость (7), регулятором температуры (9), установите низкую температуру, после расплавления жира можно довести температуру до максимально рекомендуемой для этого вида жира.

### Рекомендации по приготовлению продуктов

- При жарке нескольких видов продуктов в первую очередь готовьте продукты, требующие низкой температуры приготовления.
- Перед жаркой новой порции продуктов подождите 3-5 минут для того, чтобы фритюр нагрелся до нужной температуры.
- Когда индикатор (11) погаснет, приступайте к приготовлению новой порции продуктов.
- Если продукты подвергались предварительной термической обработке, им требуется более высокая температура жарки и меньшее время приготовления, чем сырым.
- Замороженные продукты необходимо предварительно полностью разморозить, если нет возможности полностью разморозить продукты, в этом случае постарайтесь убрать как можно больше льда.
- Если вы используете продукты, предназначенные для приготовления во фритюрнице, устанавливайте температуру нагрева фритюра согласно мар-

кировке, на упаковке продукта, если подобных указаний нет, установите температуру приготовления 190°C.

- Продукты с большим содержанием крахмала (например, картофель) лучше жарить с небольшими интервалами, периодически вынимая корзину и встряхивая содержимое корзины.
- Используйте фритюрницу в местах с хорошей вентиляцией.
- Используйте фритюрницу на ровной устойчивой, термостойкой поверхности вдали от источников влаги, тепла и открытого пламени так, чтобы доступ к электрической розетке всегда был свободным.
- Не устанавливайте и не используйте фритюрницу вблизи легковоспламеняющихся материалов или жидкостей, а также предметов, подверженных тепловой деформации.
- Установите фритюрницу так, чтобы от стен до корпуса фритюрницы было расстояние не менее 20 см, а свободное пространство над фритюрницей составляло не менее 60 см.
- Смажьте внутреннюю поверхность смотрового окна (1) крышки (2) растительным маслом, масло предотвратит образование конденсата, и вы сможете следить за процессом приготовления продуктов.
- Налейте в ёмкость (7) 2 - 2,5 литра масла (фритюра), уровень фритюра должен быть между отметок «MIN» и «MAX», метки уровня расположены на внутренней поверхности ёмкости (7) (рис. 5).

- Наливайте фритюр только в холодную ёмкость (7).
- Вставьте вилку шнура питания (6) в электрическую розетку, при этом загорится индикатор включения в сеть (10) «ВКЛЮЧЕНИЕ».
- Поверните ручку регулятора температуры (9), при этом загорится индикатор готовности (11) «НАГРЕВ» и установите нужную температуру приготовления продуктов (см. таблицу).

#### Примечания:

- индикатор (10) «ВКЛЮЧЕНИЕ» загорается если вилка шнура питания (6) вставлена в электрическую розетку и будет светиться постоянно;
- индикатор (11) «НАГРЕВ» погаснет, когда температура фритюра достигнет установленной температуры, индикатор будет периодически загораться и гаснуть, сигнализируя о поддержании установленной температуры фритюра.

Продукты	Температура (°C)	Вес (гр.)	Приблизительное время жарки (мин.)
Креветки	170	200	3–5
Грибы	170	150	6–8
Рыбное филе	170	250	5–8
Мясо кусковое	180	250	8–12
Стейк	180	250	8–15
Кусочки куриного филе в сухарях	190	300	10–15
Тонкие картофельные чипсы	190	300	10–12
Картофель фри	190	250	8–12

**Примечание:** приведённые в таблице данные носят рекомендательный характер, если вы считаете результат приготовления продуктов неудовлетворительным, в этом случае измените количество продуктов или время их приготовления.

- Когда фритюр нагреется до установленной температуры, индикатор (11) погаснет.
- Положите в корзину (12) необходимое количество продуктов (продукты должны быть сухими, если продукты замороженные, разморозьте их или постарайтесь стряхнуть с них как можно больше льда).
- Следите за тем, чтобы во фритюр не попали капли воды, попадание капель воды в разогретый фритюр приводит к разбрызгиванию фритюра.

- Нажмите на клавишу (8) (рис. 1), крышка (2) откроется (рис. 2).
- Держась за ручку (13), аккуратно опустите корзину (12) во фритюрницу.
- Закройте крышку (2), нажмите и удерживайте фиксатор (14) и опустите ручку (13), отпустите фиксатор (14).
- Во время работы крышка фритюрницы (2) должна быть закрыта.
- Остерегайтесь выхода пара из решётки (15) и зазоров между крышкой (2) и корпусом фритюрницы (5), не подносите руки и не располагайте другие открытые участки тела близко к решётке (15), зазорам.
- По окончании приготовления продуктов, выключите устройство, повернув ручку регулятора температуры (9) против часовой стрелки до упора, выньте вилку шнура питания (6) из электрической розетки.
- Нажмите на клавишу (8) (рис. 1), придерживайте крышку (2) и медленно откройте её.
- Во избежание получения ожога горячим паром, не наклоняйтесь над фритюрницей и не держите руки над емкостью с фритюром (7).
- Возьмитесь за ручку (13) и поднимите её в горизонтальное положение, подождите некоторое время, необходимое для стекания масла.
- Держась за ручку (13), выньте корзину (12) из фритюрницы, после чего выложите готовый продукт из корзины (12) в подходящую посуду.

**Примечания:**

- при первом включении устройства, возможно появление постороннего запаха или небольшого количества дыма от нагревательного элемента - это допустимо и не является гарантийным случаем;
- перед употреблением продуктов в пищу убедитесь, что они полностью приготовлены;
- вынимайте продукты из фритюрницы сразу после приготовления, при длительном нахождении продуктов во фритюре может произойти их возгорание или возгорание фритюра.

**В случае возгорания продуктов или фритюра, немедленно выньте вилку шнура питания из электрической розетки, накройте фритюрницу плотной, по возможности влажной и негорючей, тканью, примите дополнительные меры к нераспространению огня. НЕ ЗАЛИВАЙТЕ ПЛАМЯ ВОДОЙ!**

- После приготовления продуктов и выключения фритюрницы дождитесь полного остывания фритюра.
- Наклоните фритюрницу и слейте из ёмкости (7) фритюр. Не сливайте фритюр в раковину, а утилизируйте его вместе с другими бытовыми отходами.
- Регулярно производите замену фритюра (приблизительно после 8-12 приготовлений продуктов).
- Фритюр необходимо заменить, если он сильно потемнел и стал густым, если при нагревании фритюр

начинает пузыриться, имеет неприятный запах или вкус.

- Если фритюр пригоден для дальнейшего использования, профильтруйте его, налейте в посуду с герметичной крышкой и храните в холодильнике до следующего использования.

**ЧИСТКА И УХОД**

- Производите чистку фритюрницы после каждого использования.
- Выключите фритюрницу, повернув регулятор температуры (6) против часовой стрелки до упора, выньте вилку шнура питания (6) из электрической розетки, дождитесь полного остывания фритюрницы.
- Нажмите на фиксатор решётки (15) и снимите её, выньте фильтр (19) из крышки (2).
- Поместите фильтр (16) в ёмкость с моющим раствором, через некоторое время промойте его и просушите.
- Откройте крышку (2), выньте корзину (12), снимите крышку (2) (Рис. 3).
- Слейте из ёмкости (7) фритюр.
- Промойте крышку (2), корзину (12), тёплой водой с использованием нейтрального моющего средства, ополосните, затем вытрите насухо.
- Ёмкость для фритюра (7) промывайте с внутренней стороны, залив в неё небольшое количество нейтрального моющего средства, после этого ополосните и протрите насухо.

- Протрите поверхность корпуса (5) фритюрницы слегка влажной тканью, после чего вытрите насухо.
- Следите за тем, чтобы влага не попала вовнутрь корпуса (5) фритюрницы.
- Запрещается использовать для чистки деталей фритюрницы металлические мочалки, абразивные чистящие средства или растворители.
- Не погружайте корпус (5) фритюрницы, шнур питания (6) и вилку шнура питания в воду или любые другие жидкости.

### ХРАНЕНИЕ

- Перед тем как убрать фритюрницу на хранение проведите чистку всех съёмных деталей.
- Храните устройство в сухом прохладном месте, недоступном для детей и людей с ограниченными возможностями.

### КОМПЛЕКТАЦИЯ

1. Фритюрница - 1 шт.
2. Инструкция - 1 шт.

### ТЕХНИЧЕСКИЕ ХАРАКТЕРИСТИКИ

- Электропитание 220-240 В, ~ 50 Гц
- Номинальная потребляемая мощность: 1800 Вт
- Объем масла (фритюра): 2,5 литра

### УТИЛИЗАЦИЯ



Чтобы предотвратить возможный вред окружающей среде или здоровью людей от неконтролируемой утилизации отходов, после окончания срока службы устройства или элементов питания (если входят в комплект), не выбрасывайте их вместе с обычными бытовыми отходами, передайте прибор и элементы питания в специализированные пункты для дальнейшей утилизации.

Отходы, образующиеся при утилизации изделий, подлежат обязательному сбору с последующей утилизацией в установленном порядке.

Для получения дополнительной информации об утилизации данного продукта обратитесь в местный муниципалитет, службу утилизации бытовых отходов или в магазин, где Вы приобрели данный продукт.

Производитель сохраняет за собой право изменять дизайн, конструкцию и технические характеристики, не влияющие на общие принципы работы устройства, без предварительного уведомления.

**Срок службы устройства — 3 года**

**Дата производства указана в серийном номере.**

**В случае обнаружения каких-либо неисправностей необходимо обратиться в авторизованный сервисный центр.**

## ФРИТЮР ПІСІРУГЕ АРНАЛҒАН ЫДЫС BR2832WH

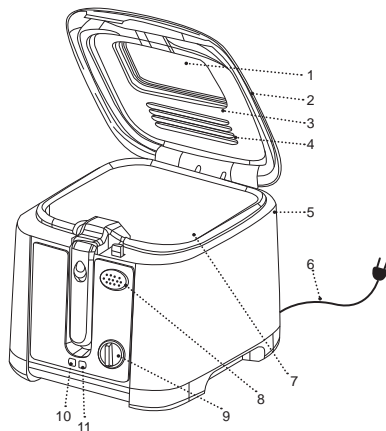
Фритюр пісіруге арналған ыдыс – бұл әртүрлі өнімдерді фритюрде әзірлеуге арналған тұрмыстық электр құрылғысы.

### СИПАТТАМАСЫ

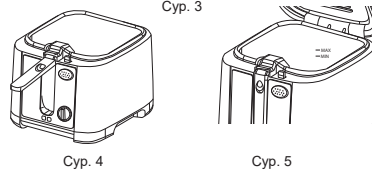
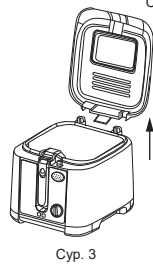
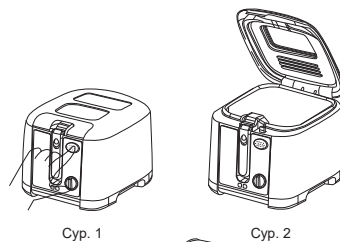
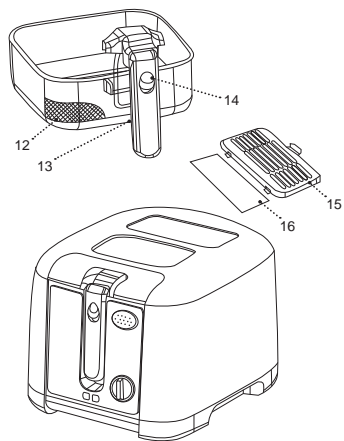
1. Қарау терезесі
2. Қақпақ
3. Қақпақтың ішкі беті
4. Бу шығатын тор
5. Корпусы
6. Қуаттандыру бауы
7. Майға арналған сыйымдылық (фритюрге)
8. Қақпақты ашу пернесі
9. Температура реттегіші
10. Желіге қосу индикаторы «ҚОСУ»
11. Фритюрді қыздыру индикаторы «ҚЫЗДЫРУ»
12. Өнімдерге арналған себет
13. Себет тұтқасы
14. Тұтқа бекітпесі
15. Сүзгі торы
16. Сүзгі

### НАЗАР АУДАРЫҢЫЗ!

Қосымша қорғаныс үшін қуаттандыру тізбегінде номиналды іске қосылу тогы 30 мА аспайтын қорғаныс сәндіру құрылғысын (ҚАҚ) орнатқан дұрыс, ҚАҚ-ты орнату үшін маманға хабарласыңыз.







## ҚАУІПСІЗДІК ШАРАЛАРЫ ЖӘНЕ ПАЙДАЛАНУ БОЙЫНША НҰСҚАУЛЫҚТАР

**Фритюр пісіруге пайдалану алдында пайдалану жөніндегі нұсқаулықты мұқият оқып шығыңыз, оқыған соң, болашақта пайдалану үшін сақтап қойыңыз.**

- Фритюр пісіруге осы нұсқаулықта баяндалғандай, тікелей мақсаты бойынша ғана пайдаланыңыз.
- Фритюр пісіруге дұрыс қолданбау оның бұзылуына, және пайдаланушыға немесе оның мүлкіне зиян келтіруге әкеп соғуы мүмкін және кепілдік жағдайы болып табылмайды.
- Заттаңбада көрсетілген құрылғының жұмыс кернеуі, электр желісінің кернеуіне сәйкес екеніне көз жеткізіңіз.
- Қуаттандыру бауының ашасын жерге қосудың сенімді байланысы бар электр розеткасына салыңыз.
- Құрылғыны сыртқы таймерлерге немесе қашықтықтан басқарылатын электр розеткаларға қосуға тыйым салынады.
- Өрт шығу қауіпін болдырмау үшін, фритюр пісіруге электр розеткасына қосар алдында «жалғасты-рғыштарды» пайдалануға тыйым салынады.
- Фритюр пісіруге желі розеткасына кіру әрқашан бос болатындай етіп тегіс, құрғақ, орнықты, термо төзімді бетке орнатыңыз және пайдаланыңыз.
- Құрылғыны үй-жайдан тыс жерде пайдалануға тыйым салынады.
- Найзағай кезінде құрылғыны пайдалану ұсынылмайды.
- Фритюр пісіруге соққыдан, құлаудан, дірілден және басқа да механикалық әсерлерден сақтаңыз.
- Желіге қосылған құрылғыны, қараусыз қалдырмаңыз.
- Құрылғыны жылу көздерінің, жылыту аспаптарының немесе ашық оттың тікелей жанында пайдаланбаңыз.
- Фритюр пісіруге аэрозольдар пайдаланылатын немесе шашырайтын жерлерде, сондай-ақ тез тұтанатын сұйықтықтарға жақын жерлерде пайдалануға тыйым салынады.
- Фритюр пісіруге ас үй раковинасына жақын, жуынатын бөлмеде, бассейндер немесе басқа да су толтырылған сыйымдылықтарға жақын жерде пайдаланбаңыз.
- Фритюр пісіруге суға құлап кеткен жағдайда, дереу желі бауының ашасын электр розеткасынан сурыңыз, содан кейін ғана құрылғыны судан алып шығуға болады. Құрылғыны тексерту немесе жөндеу үшін сервис орталығына жүгініңіз.
- Қуаттандыру бауының ыстық беттерге және жиһаздың өткір жиектеріне тиюін болдырмаңыз.
- Жұмыс уақытында фритюр корпусы қатты қызды, күйік алуға жол бермеу үшін, ыстық беттерге қолыңызды тигізбеңіз.
- Жұмыс уақытында фритюр пісіруге арналған ыдыс қақпағы жабық болуы керек.

- Ыстық фритюр пісіруге жылжытпаңыз, оның толық салқындауын күтіңіз.
- Құрылғыны желдетуі жақсы жерлерде пайдаланыңыз.
- Фритюр пісіруге жеткізу жиынтығына кіретін бөлшектерін ғана қолданыңыз.
- Егер фритюр өнімдер болмаса, құрылғыны қосуға тыйым салынады.
- Фритюр пісіруге арналған ыдыс қақпағы мен корпусы арасындағы саңылаулардан шығатын будан сақ болыңыз, саңылауларға қолыңызды және дененің басқа ашық бөліктерін тақпаңыз.
- Өнімдерді әзірлеп болғаннан кейін бірден фритюр пісіруге арналған ыдыстан шығарыңыз, өнімдер іске қосылған фритюр пісіруге арналған ыдыста ұзақ қалған жағдайда өртенуі немесе фритюрдің жануы мүмкін.
- Өнімдер немесе фритюр жанған жағдайда электр розеткасынан қуаттандыру бауының ашасын дереу суырып алыңыз, фритюр пісіруге арналған ыдысты тығыз, мүмкіндігінше дымқыл және жанбайтын матамен жабыңыз, отты таратпау үшін қосымша шаралар қолданыңыз. **ЖАЛЫНҒА СУ ҚҰЙМАҢЫЗ!**
- Фритюрде қуыру үшін үнемі себетті ғана қолданыңыз.
- Себетті өніммен толтыру үшін, оны әрдайым фритюрден шығарыңыз, себетті өнімдермен толтырғаннан кейін, оны фритюрге абайлап

батырыңыз, ыстық фритюрдің шашырандысынан сақ болыңыз.

- Егер өнімдер себеттен түсіп қалса, оларды фритюрге арналған сыйымдылық жабынын зақымдауы мүмкін металл заттармен шығаруға тыйым салынады, күюге қарсы беттерге арналған ас үй аксессуарларын қолданыңыз.
- Құрылғыны пайдаланып болғаннан кейін немесе тазалау алдында міндетті түрде сөндіріңіз. Фритюр пісіруге электр желісінен ажыратқан кезде тек желі бауының ашасынан ұстаңыз және оны электр розеткасынан абайлап шығарыңыз, желі бауынан тартпаңыз — бұл оның зақымдануына әкеліп, қысқа тұйықталуын тудыруы мүмкін.
- Құрылғы корпусын, желі бауын және желі бауының ашасын су қолмен ұстамаңыз.
- Балалардың қауіпсіздігі үшін қаптама ретінде пайдаланылатын полиэтилен пакеттерді қадағалаусыз қалдырмаңыз.

**Назар аударыңыз!** Балаларға полиэтилен пакеттерімен немесе қаптама үлдірімен ойнауға рұқсат етпеңіз. **Тұншығу қаупі!**

- Құрылғы балалардың пайдалануына арналмаған.
- Құрылғыны ойыншық ретінде пайдалануын болдырмау үшін, балаларды қадағалаңыз.
- Құрылғы жұмыс істеп тұрғанда балалар жұмыс бетіне, құрылғы корпусына, желі бауына немесе желі бауының ашасына жақындауына рұқсат бермеңіз.

- Егер жұмыс істеп тұрған құрылғының маңында балалар немесе мүмкіндіктері шектеулі адамдар болса, онда ерекше мұқият болыңыз.
- Жұмыс істеу уақытында және жұмыс циклдері арасындағы үзілістерде құрылғыны балалардың қолы жетпейтін жерде орналастырыңыз.
- Аспап дене, жүйке немесе сана мүмкіндіктері төмендетілген тұлғалардың (балаларды қоса) пайдалануына арналмаған, сондай-ақ егер олардың тәжірибесі немесе білімі болмаса, егер олар бақыланбаса немесе олардың қауіпсіздігі үшін жауап беретін тұлғамен аспапты пайдалану туралы нұсқаулықтар берілмесе.
- Желі бауының бүтіндігін мезгілімен тексеріп отырыңыз.
- Қуаттандыру бауы зақымданғанда қауіп тудырмау үшін оны дайындаушы, сервистік қызмет немесе баламалы білікті маман ауыстыруы тиіс.
- Құрылғыны өздігіңізден жөндеуге тыйым салынады. Құрылғыны өз бетіңізбен бөлшектемеңіз, кезкелген ақаулықтар пайда болған кезде, сондай-ақ құрылғы құлағаннан кейін оны электр желісінен ажыратыңыз және авторланған сервистік орталыққа жүгініңіз.
- Құрылғыны зақымдамау үшін, оны тек зауыт қаптамасында тасымалдаңыз.
- Құрылғыны салқын және құрғақ жерде, балалардың және мүмкіндігі шектеулі адамдардың қолы жетпейтін жерде сақтаңыз.

## **ҚҰРЫЛҒЫ ТЕК ТҰРМЫСТЫҚ ПАЙДАЛАНУҒА ҒАНА АРНАЛҒАН, ҚҰРЫЛҒЫНЫ КОММЕРЦИАЛЫҚ НЕМЕСЕ ЗЕРТХАНАЛЫҚ МАҚСАТТАРДА ПАЙДАЛАНУҒА ТЫЙЫМ САЛЫНАДЫ.**

### **АЛҒАШ РЕТ ПАЙДАЛУ АЛДЫНДА**

**Құралды кері температурада тасымалдағаннан немесе сақтағаннан кейін оны қаптамадан шығарыңыз және пайдалану алдында 3 сағат күтіңіз.**

- Құралды қаптамадан шығарыңыз және барлық қаптама материалдарын жойыңыз.
- Зауыт қаптамасын сақтаңыз.
- Қауіпсіздік шаралары мен пайдалану нұсқауларымен танысыңыз.
- Жинақталымын тексеріңіз.
- Құралды зақымдануына қатысты байқаңыз зақымдануы болған жағдайда оны желіге қоспаңыз.
- Құралдың көрсетілген қуаттандыру кернеуі параметрлері электр желісінің параметрлеріне сәйкес келетініне көз жеткізіңіз. Құрылғыны 60 Гц жиіліктегі электр желісінде пайдаланғанда, ешқандай қосымша әрекет қажет емес.
- Фритюр пісіруге корпусын(5) сәл дымқыл жұмсақ матамен сүртіп, содан кейін құрғатып сүртіңіз.
- Тор бекіткіші (15) басып, оны шешіп алыңыз, сүзгіні (16) қақпақтан (2) шығарып алыңыз.

- Пернені (8) басыңыз (сур. 1), қақпақ (2) ашылады (сур. 2).
- Қақпақты қолыңызбен ұстаңыз (2) және оны жоғары қарай шешіп алыңыз (сур. 3).
- Тұтқадан ұстаңыз (13) және тұтқаны көлденең күйге көтеріңіз.
- Тұтқадан ұстаңыз (13) себетті (12) шығарыңыз (сур. 4).
- Қақпақты (2), себетті (12), сүзгі торын (15) бейтарап жуу құралын қосып, жылы сумен жуыңыз, шайыңыз, содан кейін құрғатып сүртіңіз.
- Фритюрге арналған сыйымдылықты (7) сәл дымқыл шүберекпен сүртіңіз, содан кейін құрғатып сүртіңіз.
- Сүзгіні (16) орнына салыңыз, торды (15) орнатыңыз, қақпақты (2) орнату орнына салыңыз (сур. 3).

### ӨНІМДЕРДІ ӨЗІРЛЕУ

#### НАЗАР АУДАРЫҢЫЗ!

- Жақсы сапалы өсімдік майын немесе фритюрге арналған әмбебап майды қолдану ұсынылады.
- Майдың әртүрлі сұрыптарын араластыру ұсынылмайды.
- Фритюр үшін май мен тоң май қоспасын қолдануға тыйым салынады, мұндай қоспа кенеттен көбіктеніп, фритюр пісіруге арналған сыйымдылықтан (7) төгіліп кетуі мүмкін.

- Егер сіз аспаз майын, жануарлар немесе өсімдіктер майын қолдансаңыз, оны кішкене кесектерге бөліңіз және сыйымдылыққа (7) салыңыз, температура реттегішімен (9) салыңыз, төмен температураны орнатыңыз, май ерігеннен кейін температураны осы май түріне ұсынылатын ең жоғары деңгейге жеткізуге болады.

#### Өнімдер дайындау бойынша ұсыныстар

- Әртүрлі өнімдерді қуыру кезінде бірінші кезекте төменгі температурада дайындауды қажет ететін өнімдерді әзірлеңіз.
- Өнімді жаңа мөлшерін қуырмас бұрын, май қажетті температураға дейін қызуы үшін 3-5 минут күтіңіз.
- Индикатор (11) сөнген кезде, өнімнің жаңа мөлшерін әзірлеуге кірісіңіз.
- Егер өнімдер алдын ала қыздырылып өңделген болса, оларды қуыруға жоғарырақ температурада керек және шикі өнімдерге қарағанда дайындауға азырақ уақыт кетеді.
- Мұздатылған өнімдерді алдын-ала толығымен еріту керек, егер өнімді толығымен еріту мүмкін болмаса, бұл жағдайда мүмкіндігінше мұздарын көбірек алып тастауға тырысыңыз.
- Егер сіз фритюр пісіруге арналған ыдыста әзірлеуге арналған өнімдерді қолдансаңыз, фритюрді қыздыру температурасын өнімнің

қаптамасындағы таңбалауға сәйкес орнатыңыз, егер мұндай нұсқаулар болмаса, әзірлеу температурасын 190°C етіп орнатыңыз.

- Құрамында крахмалы көп өнімдерді (мысалы картоп) қуыру арасындағы үзілісті ұзақ қылмау керек, себетті шығарып алып, ішіндегісін сілкілеп отырған жөн.
- Фритюр пісіруге арналған ыдысты желдетуі жақсы жерлерде пайдалыныңыз.
- Фритюр пісіруге арналған ыдысты тегіс, орнықты, термотөзімді бетке, жылу, ылғал және ашық жалын көздерінен алыс жерге, электрлік розеткаға үнемі еркін қол жетімділік болатындай етіп орналастырыңыз.
- Фритюр пісіруге арналған ыдысты тез тұтанатын материалдардың немесе сұйықтықтардың, сонымен қатар жылу деформациясына ұшырайтын заттардың қасында орналастырмаңыз.
- Фритюр пісіруге арналған ыдысты оның корпусынан қабырғаға дейін 20 см-ден кем емес қашықтық қалатындай, ал фритюр пісіруге арналған ыдыстың үстіндегі кеңістігі 60 см-ден кем емес болатындай етіп орнатыңыз.
- Қақпақтың қарау терезесінің ішкі бетін (2) өсімдік майымен майлаңыз, май конденсаттың пайда болуына жол бермейді және сіз пісіру процесін қадағалай аласыз.
- Сыйымдылыққа (7) 2-2,5 литр май (фритюр)

құйыңыз, фритюр деңгейі «MIN» және «MAX» белгілерінің арасында болуы керек, деңгей белгілері сыйымдылықтың (7) ішкі бетінде орналасқан (сур. 5).

- Фритюрді суық сыйымдылыққа (7) ғана құйыңыз.
- Қуаттандыру бауының ашасын ( 6) электр розеткасына салыңыз, осы ретте желіге қосу индикаторы (10) «ҚОСУ» жанады.
- Температура реттегішінің тұтқасын (9) бұраңыз, осы ретте дайындық индикаторы (11) «ҚЫЗДЫРУ» жанады және өнімдерді пісірудің қажетті температурасын орнатыңыз (кестені қараңыз).

#### Ескертпелер:

- «ҚОСУ» индикаторы қуаттандыру бауының ашасы (6) электр розеткасына қосылған болса жанады және тұрақты жанып тұрады;
- индикаторы (11) «НАГРЕВ» фритюр температурасы белгіленген температураға жеткенде сөніп қалады, ал фритюрдың белгіленген температурасын ұстап тұру туралы белгі беріп, индикатор мезгіл-мезгіл жанып сөніп тұрады.

Өнімдер	Температура (°C)	Салмақ (гр.)	Қуырудың шамамен уақыты (мин.)
Креветкалар	170	200	3-5
Саңырауқұлақтар	170	150	6-8
Балықтың сүбе еті	170	250	5-8
Кесекті ет	180	250	8-12
Стейк	180	250	8-15
Кепкен нандағы тауық етінің бөліктері	190	300	10-15
Жұқа картон чипстері	190	300	10-12
Фри картобы	190	250	8-12

**Ескертпе:** кестеде келтірілген деректер ұсынымдық сипатта болады, егер сіз өнімдерді дайындау нәтижесін қанағаттанарлықсыз деп есептесеңіз, бұл жағдайда өнімдер мөлшері немесе оларды дайындау уақытын өзгертіңіз.

- Фритюр белгіленген температураға дейін қызған кезде индикатор (7) сөніп қалады.
- Себетке (12) өнімдердің қажетті мөлшерін салыңыз. (өнімдер құрғақ болуы тиіс, егер өнімдер мұздатылған болса, оларды жібітіңіз немесе мүмкіндігінше көбірек мұзын сілкіп тастауға тырысыңыз).

- Фритюрге су тамшылары түспейтінін қадағалаңыз, қыздырылған фритюрге су тамшыларының түсуі фритюрдің шашырауына әкеледі.
- Пернені (8) басыңыз (сур. 1), қақпақ (2) ашылады (сур. 2).
- Тұтқадан (13) ұстап тұрып себетті (12) фритюрге абайлап түсіріңіз.
- Қақпақты (2) жабыңыз, бекіткішті (14) басыңыз және ұстап тұрыңыз және тұтқаны (13) түсіріңіз, бекіткішті (14) босатыңыз.
- Жұмыс уақытында фритюр пісіруге арналған ыдыс (2) қақпағы жабық болуы керек.
- Фритюр пісіруге арналған ыдыс корпусы (5) мен қақпағы (2) арасындағы саңылаулардан және тордан (15) шығатын будан сақ болыңыз, саңылауларға және торға (15) қолыңызды және дененің басқа ашық бөліктерін тақаманңыз.
- Өнімдерді дайындау аяқталғаннан кейін, құрылғыны өшірііз, температура реттегішінің тұтқасын (9) сағат тіліне қарсы тірелгенге дейін бұрып, электр розеткасынан қуаттандыру бауының ашасын (6) суырып алыңыз.
- Пернені (8) басыңыз (сур. 1), қақпақты (2) ұстап тұрыңыз және оны баяу ашыңыз.
- Ыстық бұға күйіп қалмау үшін фритюр пісіруге арналған ыдыстың үстіне еңкеймеңіз және фритюрі бар сыйымдылық (7) үстінен қолыңызды ұстамаңыз.

- Тұтқаны ( 13) ұстаңыз және оны көлденең күйде көтеріңіз, майды ағызу үшін біраз уақыт күтіңіз.
- Тұтқаны (13) ұстап тұрып, себетті (12) фритюр пісіретін ыдыстан шығарып алыңыз, содан кейін дайын өнімді себеттен (12) қолайлы ыдысқа салыңыз.

#### Ескертпелер:

- құрылғыны алғашқы қосқан кезде қыздыру элементінен бөгде иіс және аздаған түтін шығуы мүмкін - бұл қалыпты жағдай және кепілдік оқиғасы болып табылмайды;
- өнімдерді тамаққа тұтыну алдында, олардың толық әзір болғанына көз жеткізіңіз;
- өнімдерді әзірлеп болғаннан кейін бірден фритюр пісіруге арналған ыдыстан шығарыңыз, өнімдер іске қосылған фритюр пісіруге арналған ыдыста ұзақ қалған жағдайда өртенуі немесе фритюрдің жануы мүмкін.

**Өнімдер немесе фритюр жанған жағдайда электр розеткасынан қуаттандыру бауының ашасын дереу суырып алыңыз, фритюр пісіруге арналған ыдысты тығыз, мүмкіндігінше дымқыл және жанбайтын матамен жабыңыз, отты таратпау үшін қосымша шаралар қолданыңыз.**

#### ЖАЛЫНҒА СУ ҚҰЙМАҢЫЗ!

- Өнімдерді дайындап болған соң және фритюр пісіруге арналған ыдысты өшіргеннен кейін, фритюрдің толық салқындауын күтіңіз.

- Фритюр пісіруге арналған ыдысты еңкейтп, сыйымдылықтан (7) фритюрді құйып алыңыз. Фритюрді раковинаға төкпеңіз, оны басқа тұрмыстық қалдықтармен бірге кәдеге жаратыңыз.
- Фритюрді мезгілімен ауыстырып отырыңыз (шамамен 8-12 өнім дайындағаннан кейін).
- Егер фритюр қатты қарайып және қоюланып кетсе, егер қыздырған кезде фритюр көпірши бастаса, жағымсыз иісі немесе дәмі болса, оны ауыстыру керек.
- Егер фритюр әрі қарай пайдалануға жарамды болса, оны сүзгіден өткізіп, ауа өткізбейтін қақпағы бар ыдысқа құйып, келесі қолданғанға дейін тоңазытқышта сақтаңыз.

#### ТАЗАЛАУ ЖӘНЕ КҮТІМ

- Фритюр пісіруге арналған ыдысты әр пайдаланған сайын тазалаңыз.
- Фритюр пісіруге арналған ыдысты сөндіріңіз, ол үшін температура реттегішін (9) тірелгенге дейін сағат тіліне қарсы бұрыңыз, қуаттандыру бауының ашасын (6) электр розеткасынан суырып алыңыз, фритюр пісіруге арналған ыдыстың толық суығанын күтіңіз.
- Тор бекіткішін (15) басып, оны шешіп алыңыз, сүзгіні (16) қақпақтан (2) шығарып алыңыз.
- Сүзгіні (16) жуғыш ерітіндісі бар сыйымдылыққа салыңыз, біраз уақыттан кейін жуып жіберіңіз және құрғатыңыз.



- Қақапақты (2) ашыңыз, себетті (12) шығарып алыңыз, қақпақты (2) шешіп алыңыз(сур. 3).
- Сыйымдылықтан (7) фритторді құйып алыңыз.
- Қақпақты (2), себетті (12) бейтарап жуу құралын пайдаланып, жылы сумен жуыңыз, шайыңыз, содан кейін құрғатып сүртіңіз.
- Фритторге арналған сыйымдылықты (7) ішкі жағынан жуыңыз, ол үшін оған аз мөлшерде бейтарап жуғыш зат құйыңыз, содан кейін шайыңыз және құрғатып сүртіңіз.
- Фриттор пісіруге арналған ыдыс корпусының (5) сыртқы бетін сәл дымқыл матамен сүртіңіз, содан кейін құрғатып сүртіңіз.
- Фриттор пісіруге арналған ыдыс корпусының (5) ішіне ылғал кірмейтінін қадағалаңыз.
- Фриттор пісіруге арналған ыдыс бөлшектерін тазалау үшін, металдан жасалған жөкелерді, абразивті тазалау құралдарын немесе еріткіштерді пайдалануға тыйым салынады.
- Фриттор пісіруге арналған ыдыстың корпусын (5), қуаттандыру бауын және қуаттандыру бауының ашасын суға немесе кез-келген басқа сұйықтықтарға салмаңыз.

### САҚТАЛУЫ

- Фриттор пісіруге арналған ыдысты сақтауға қоярдың алдында, барлық алынбалы бөлшектерді тазалаңыз.

- Құрылғыны салқын және құрғақ, балалардың және мүмкіндігі шектеулі адамдардың қолы жетпейтін жерде сақтаңыз.

### ЖИЫНАҚТАЛЫМЫ

1. Фриттор пісіруге арналған ыдыс – 1 дн.
2. Нұсқаулық– 1 дн

### ТЕХНИКАЛЫҚ СИПАТТАМАЛАРЫ

- Электр қуаттандыруы 220-240 В, ~ 50 Гц
- Номиналдық тұтыну қуаты: 1800 Вт
- Май көлемі (фриттор): 2,5 литр

### ПАЙДАҒА АСЫРУ



Қалдықтардың бақыланбай пайдаға асыруынан қоршаған ортаға немесе адамдардың денсаулығына зиян келтірмеу үшін, құралдың немесе қуаттандыру элементтерінің (егер жинақталымға кірсе) қызмет ету мерзімі аяқталғаннан кейін

оларды әдеттегі тұрмыстық қалдықтармен бірге тастамаңыз, аспапты және қуаттандыру элементтерін одан әрі пайдаға асыру үшін арнайы пункттерге жіберіңіз.

Бұйымдарды пайдаға асыру кезінде пайда болатын қалдықтар белгіленген тәртіп бойынша келесі пайдаға асырылатын тәртіппен міндетті түрде жинауға жатады.

Берілген өнімді пайдаға асыру туралы қосымша ақпаратты алу үшін жергілікті муниципалитетке, тұрмыстық қалдықтарды пайдаға асыру қызметіне немесе берілген өнімді сатып алған дүкенге хабарласыңыз.

Өндіруші алдын-ала ескертусіз, құрылғының дизайнын, конструкциясы мен оның жалпы жұмыс ұстанымдарына әсер етпейтін техникалық сипаттамаларын өзгерту құқығын өзіне қалдырады.

**Құрылғының қызмет көрсету мерзімі — 3 жыл**

**Өндірілген күні сериялық нөмірде көрсетілген.**

**Қандай да бір ақаулықтар табылған жағдайда дереу авторландырылған сервистік орталыққа жүгіну керек.**

Hergestellt für «Ruste GmbH»,  
Berggasse 18/18, 1090 Wien,  
Österreich

Produced for «Ruste GmbH»,  
Berggasse 18/18, 1090 Vienna, Austria

Изготовлено по заказу Русте Гмбх,  
Бергассе 18/18, 1090 Вена, Австрия

Уполномоченное изготовителем  
лицо: ООО «Грантэл»  
143912, МО, г. Балашиха,  
ш. Энтузиастов, вл. 1А  
т.: +7 (495) 297-50-20,  
e-mail: info@brayer.su

Made in China/Произведено в Китае



brayer.ru



<https://tm.by>  
Интернет-магазин