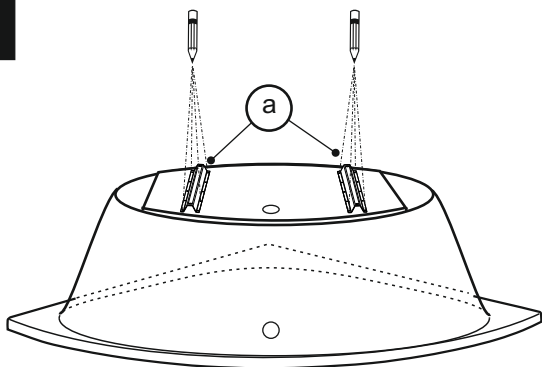
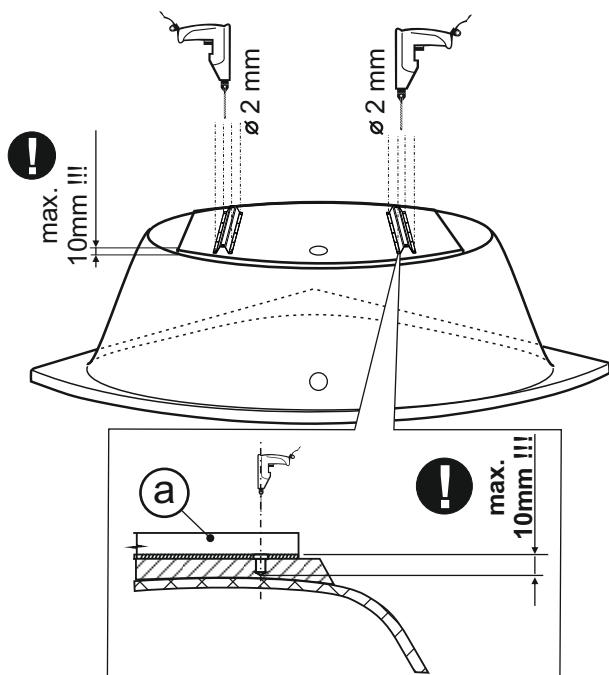


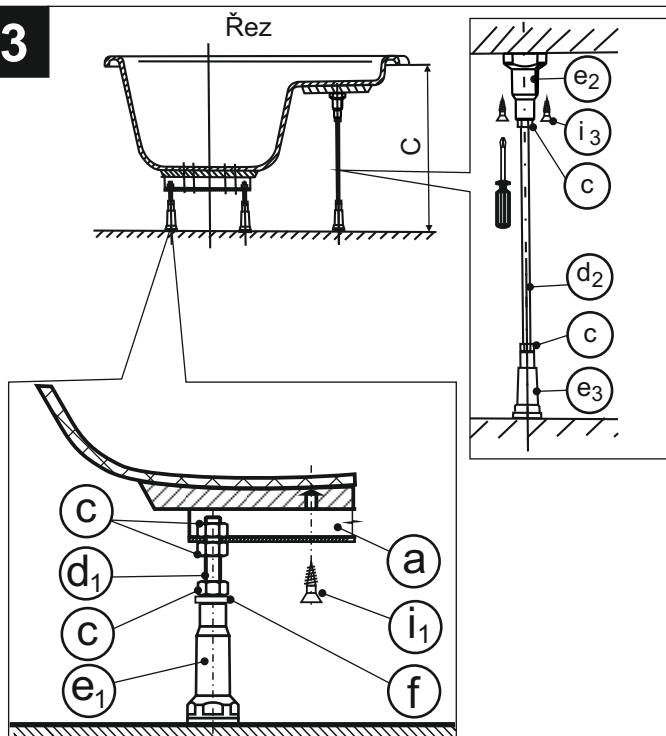
1









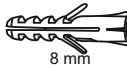

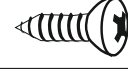
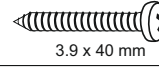



2



3



a	 450 mm	2x
c	 M12	14x
d <sub>1</sub>	 M12 x 130	4x
d <sub>2</sub>	 M12 x 320	1x
e <sub>1</sub>	 M12 x 80	4x
e <sub>2</sub>	 M12 x 65	1x
e <sub>3</sub>	 M12 x 100	1x
f	 12 mm	4x
g	 8 mm	2x
h	 4.8 x 19	2x
i <sub>1</sub>	 4.8 x 19	10x
i <sub>2</sub>	 3.9 x 40 mm	2x
i <sub>3</sub>	 2.9 x 19	2x

