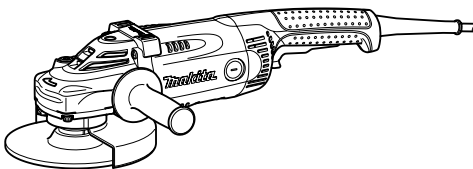
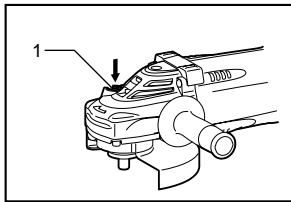


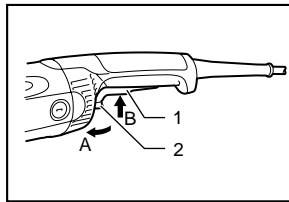
GB	Angle Grinder	INSTRUCTION MANUAL
S	Vinkelslipmaskin	BRUKSANVISNING
N	Vinkelsliper	BRUKSANVISNING
FIN	Kulmahiomakone	KÄYTTÖOHJE
LV	Leņķa slīpmašīna	LIETOŠANAS INSTRUKCIJA
LT	Kampinis šlifuoκlis	NAUDOJIMO INSTRUKCIJA
EE	Nurklihvkäi	KASUTUSJUHEND
RUS	Угловая шлифмашина	РУКОВОДСТВО ПО ЭКСПЛУАТАЦИИ

GA7020
GA7020S
GA7021
GA9020
GA9020S

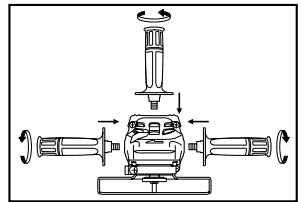




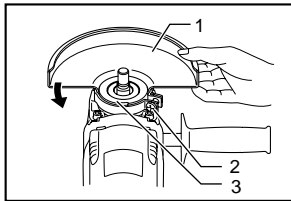
1 006733



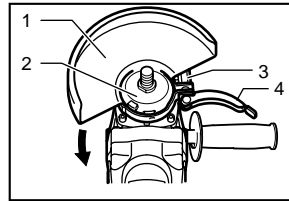
2 006734



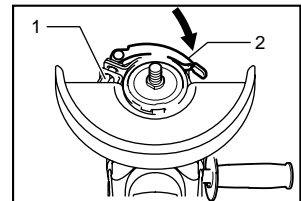
3 006735



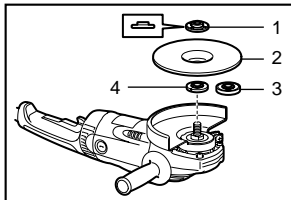
4 006736



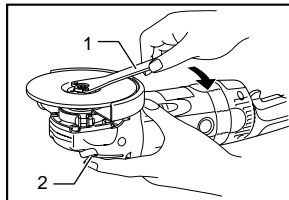
5 010644



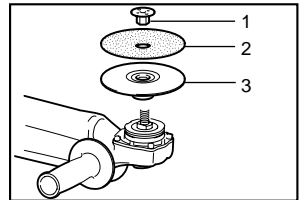
6 010645



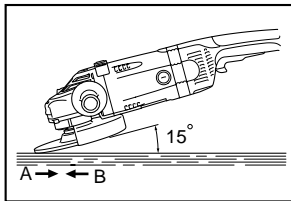
7 006746



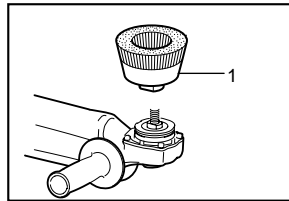
8 006738



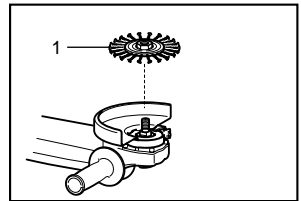
9 010948



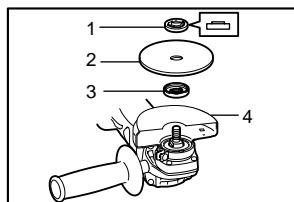
10 006741



11 010950

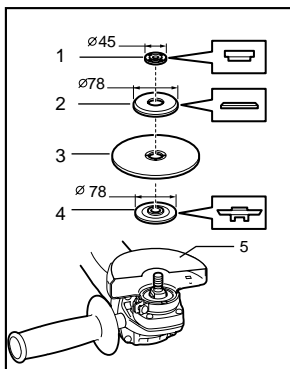


12 010949



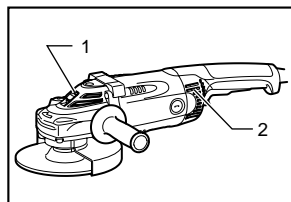
13

010828



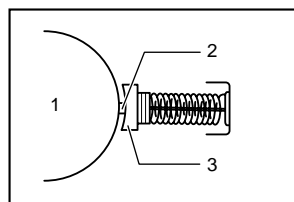
14

010946



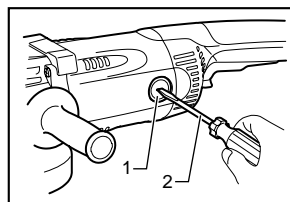
15

006744



16

001146



17

006745

Explanation of general view

1-1. Shaft lock	7-4. Inner flange	14-2. Outer flange 78
2-1. Switch trigger	8-1. Lock nut wrench	14-3. Abrasive cut-off wheel/diamond wheel
2-2. Lock lever	8-2. Shaft lock	14-4. Inner flange 78
4-1. Wheel guard	9-1. Lock nut	14-5. Wheel guard for abrasive cut-off wheel/diamond wheel
4-2. Screw	9-2. Abrasive disc	15-1. Exhaust vent
4-3. Bearing box	9-3. Rubber pad	15-2. Inhalation vent
5-1. Wheel guard	11-1. Wire cup brush	16-1. Commutator
5-2. Bearing box	12-1. Wire wheel brush	16-2. Insulating tip
5-3. Nut	13-1. Lock nut	16-3. Carbon brush
5-4. Lever	13-2. Abrasive cut-off wheel/diamond wheel	17-1. Brush holder cap
6-1. Nut	13-3. Inner flange	17-2. Screwdriver
6-2. Lever	13-4. Wheel guard for abrasive cut-off wheel/diamond wheel	
7-1. Lock nut	14-1. Lock nut	
7-2. Depressed center wheel		
7-3. Super flange		

SPECIFICATIONS

Model	GA7020	GA7020S	GA7021	GA9020	GA9020S
Depressed center wheel diameter	180 mm		180 mm	230 mm	
Max. wheel thickness	6.5 mm	6.5 mm	6.5 mm	6.5 mm	6.5 mm
Spindle thread	M14 or 5/8" (country specific)		M14 or 5/8" (country specific)	M14 or 5/8" (country specific)	
Rated speed (n) / No load speed (n ₀)	8,500 min ⁻¹		6,600 min ⁻¹	6,600 min ⁻¹	
Overall length	473 mm		473 mm	473 mm	
Net weight	5.5 kg	5.7 kg	5.5 kg	5.8 kg	5.9 kg
Safety class	II/II				

- Due to our continuing program of research and development, the specifications herein are subject to change without notice.
- Specifications may differ from country to country.
- Weight according to EPTA-Procedure 01/2003

ENE048-1

ENG905-1

Intended use

The tool is intended for grinding, sanding and cutting of metal and stone materials without the use of water.

ENF002-2

Power supply

The tool should be connected only to a power supply of the same voltage as indicated on the nameplate, and can only be operated on single-phase AC supply. They are double-insulated and can, therefore, also be used from sockets without earth wire.

ENF100-1

For public low-voltage distribution systems of between 220 V and 250 V.

Switching operations of electric apparatus cause voltage fluctuations. The operation of this device under unfavorable mains conditions can have adverse effects to the operation of other equipment. With a mains impedance equal or less than 0.27 Ohms it can be presumed that there will be no negative effects. The mains socket used for this device must be protected with a fuse or protective circuit breaker having slow tripping characteristics.

Noise

The typical A-weighted noise level determined according to EN60745:

Sound pressure level (L_{pA}) : 89 dB (A)
 Sound power level (L_{WA}) : 100 dB (A)
 Uncertainty (K) : 3 dB (A)

Wear ear protection

ENG900-1

Vibration

The vibration total value (tri-axial vector sum) determined according to EN60745:

Model GA7020,GA7020S

Work mode : surface grinding with normal side grip
 Vibration emission (a_{h,AG}) : 8.5 m/s²
 Uncertainty (K) : 1.5 m/s²

Work mode : surface grinding with anti vibration side grip

Vibration emission ($a_{h,AG}$) : 8.0 m/s²
Uncertainty (K) : 1.5 m/s²

Work mode : disc sanding

Vibration emission ($a_{h,DS}$) : 2.5 m/s²
Uncertainty (K) : 1.5 m/s²

Model GA7021

Work mode : surface grinding with normal side grip

Vibration emission ($a_{h,AG}$) : 5.0 m/s²
Uncertainty (K) : 1.5 m/s²

Work mode : surface grinding with anti vibration side grip

Vibration emission ($a_{h,AG}$) : 4.5 m/s²
Uncertainty (K) : 1.5 m/s²

Work mode: disc sanding

Vibration emission ($a_{h,DS}$) : 2.5 m/s² or less
Uncertainty (K) : 1.5 m/s²

Model GA9020,GA9020S

Work mode : surface grinding

Vibration emission ($a_{h,AG}$) : 5.5 m/s²
Uncertainty (K) : 1.5 m/s²

Work mode: disc sanding

Vibration emission ($a_{h,DS}$) : 2.5 m/s² or less
Uncertainty (K) : 1.5 m/s²

EN902-1

- The declared vibration emission value has been measured in accordance with the standard test method and may be used for comparing one tool with another.
- The declared vibration emission value may also be used in a preliminary assessment of exposure.
- The declared vibration emission value is used for main applications of the power tool. However if the power tool is used for other applications, the vibration emission value may be different.

⚠ WARNING:

- The vibration emission during actual use of the power tool can differ from the declared emission value depending on the ways in which the tool is used.
- Be sure to identify safety measures to protect the operator that are based on an estimation of exposure in the actual conditions of use (taking account of all parts of the operating cycle such as the times when the tool is switched off and when it is running idle in addition to the trigger time).

For European countries only

EC Declaration of Conformity

Makita declares that the following Machine(s):

Designation of Machine:

Angle Grinder

Model No./ Type: GA7020, GA7020S, GA7021, GA9020, GA9020S

Conforms to the following European Directives:

2006/42/EC

They are manufactured in accordance with the following standard or standardized documents:

EN60745

The technical file in accordance with 2006/42/EC is available from:

Makita, Jan-Baptist Vinkstraat 2, 3070, Belgium

31.12.2013



000331

Yasushi Fukaya
Director

Makita, Jan-Baptist Vinkstraat 2, 3070, Belgium

GEA010-1

General Power Tool Safety Warnings

⚠ WARNING Read all safety warnings and all instructions. Failure to follow the warnings and instructions may result in electric shock, fire and/or serious injury.

Save all warnings and instructions for future reference.

GEB033-7

GRINDER SAFETY WARNINGS

Safety Warnings Common for Grinding, Sanding, Wire Brushing, or Abrasive Cutting-Off Operations:

1. **This power tool is intended to function as a grinder, sander, wire brush or cut-off tool. Read all safety warnings, instructions, illustrations and specifications provided with this power tool.** Failure to follow all instructions listed below may result in electric shock, fire and/or serious injury.
2. **Operations such as polishing are not recommended to be performed with this power tool.** Operations for which the power tool was not designed may create a hazard and cause personal injury.
3. **Do not use accessories which are not specifically designed and recommended by the tool manufacturer.** Just because the accessory can be attached to your power tool, it does not assure safe operation.

4. **The rated speed of the accessory must be at least equal to the maximum speed marked on the power tool.** Accessories running faster than their rated speed can break and fly apart.
5. **The outside diameter and the thickness of your accessory must be within the capacity rating of your power tool.** Incorrectly sized accessories cannot be adequately guarded or controlled.
6. **Threaded mounting of accessories must match the grinder spindle thread. For accessories mounted by flanges, the arbour hole of the accessory must fit the locating diameter of the flange.** Accessories that do not match the mounting hardware of the power tool will run out of balance, vibrate excessively and may cause loss of control.
7. **Do not use a damaged accessory. Before each use inspect the accessory such as abrasive wheels for chips and cracks, backing pad for cracks, tear or excess wear, wire brush for loose or cracked wires. If power tool or accessory is dropped, inspect for damage or install an undamaged accessory. After inspecting and installing an accessory, position yourself and bystanders away from the plane of the rotating accessory and run the power tool at maximum no-load speed for one minute.** Damaged accessories will normally break apart during this test time.
8. **Wear personal protective equipment. Depending on application, use face shield, safety goggles or safety glasses. As appropriate, wear dust mask, hearing protectors, gloves and workshop apron capable of stopping small abrasive or workpiece fragments.** The eye protection must be capable of stopping flying debris generated by various operations. The dust mask or respirator must be capable of filtrating particles generated by your operation. Prolonged exposure to high intensity noise may cause hearing loss.
9. **Keep bystanders a safe distance away from work area. Anyone entering the work area must wear personal protective equipment.** Fragments of workpiece or of a broken accessory may fly away and cause injury beyond immediate area of operation.
10. **Hold the power tool by insulated gripping surfaces only, when performing an operation where the cutting accessory may contact hidden wiring or its own cord.** Cutting accessory contacting a "live" wire may make exposed metal parts of the power tool "live" and could give the operator an electric shock.
11. **Position the cord clear of the spinning accessory.** If you lose control, the cord may be cut or snagged and your hand or arm may be pulled into the spinning accessory.
12. **Never lay the power tool down until the accessory has come to a complete stop.** The spinning accessory may grab the surface and pull the power tool out of your control.
13. **Do not run the power tool while carrying it at your side.** Accidental contact with the spinning accessory could snag your clothing, pulling the accessory into your body.
14. **Regularly clean the power tool's air vents.** The motor's fan will draw the dust inside the housing and excessive accumulation of powdered metal may cause electrical hazards.
15. **Do not operate the power tool near flammable materials.** Sparks could ignite these materials.
16. **Do not use accessories that require liquid coolants.** Using water or other liquid coolants may result in electrocution or shock.

Kickback and Related Warnings

Kickback is a sudden reaction to a pinched or snagged rotating wheel, backing pad, brush or any other accessory. Pinching or snagging causes rapid stalling of the rotating accessory which in turn causes the uncontrolled power tool to be forced in the direction opposite of the accessory's rotation at the point of the binding.

For example, if an abrasive wheel is snagged or pinched by the workpiece, the edge of the wheel that is entering into the pinch point can dig into the surface of the material causing the wheel to climb out or kick out. The wheel may either jump toward or away from the operator, depending on direction of the wheel's movement at the point of pinching. Abrasive wheels may also break under these conditions.

Kickback is the result of power tool misuse and/or incorrect operating procedures or conditions and can be avoided by taking proper precautions as given below.

- a) **Maintain a firm grip on the power tool and position your body and arm to allow you to resist kickback forces. Always use auxiliary handle, if provided, for maximum control over kickback or torque reaction during start-up.** The operator can control torque reactions or kickback forces, if proper precautions are taken.
- b) **Never place your hand near the rotating accessory.** Accessory may kickback over your hand.
- c) **Do not position your body in the area where power tool will move if kickback occurs.** Kickback will propel the tool in direction opposite to the wheel's movement at the point of snagging.
- d) **Use special care when working corners, sharp edges etc. Avoid bouncing and snagging the accessory.** Corners, sharp edges or bouncing have a tendency to snag the rotating accessory and cause loss of control or kickback.
- e) **Do not attach a saw chain woodcarving blade or toothed saw blade.** Such blades create frequent kickback and loss of control.

Safety Warnings Specific for Grinding and Abrasive Cutting-Off Operations:

- a) **Use only wheel types that are recommended for your power tool and the specific guard designed for the selected wheel.** Wheels for which the power tool was not designed cannot be adequately guarded and are unsafe.
- b) **The grinding surface of centre depressed wheels must be mounted below the plane of the guard lip.** An improperly mounted wheel that projects through the plane of the guard lip cannot be adequately protected.
- c) **The guard must be securely attached to the power tool and positioned for maximum safety, so the least amount of wheel is exposed towards the operator.** The guard helps to protect the operator from broken wheel fragments, accidental contact with wheel and sparks that could ignite clothing.
- d) **Wheels must be used only for recommended applications. For example: do not grind with the side of cut-off wheel.** Abrasive cut-off wheels are intended for peripheral grinding, side forces applied to these wheels may cause them to shatter.
- e) **Always use undamaged wheel flanges that are of correct size and shape for your selected wheel.** Proper wheel flanges support the wheel thus reducing the possibility of wheel breakage. Flanges for cut-off wheels may be different from grinding wheel flanges.
- f) **Do not use worn down wheels from larger power tools.** Wheel intended for larger power tool is not suitable for the higher speed of a smaller tool and may burst.

Additional Safety Warnings Specific for Abrasive Cutting-Off Operations:

- a) **Do not “jam” the cut-off wheel or apply excessive pressure. Do not attempt to make an excessive depth of cut.** Overstressing the wheel increases the loading and susceptibility to twisting or binding of the wheel in the cut and the possibility of kickback or wheel breakage.
- b) **Do not position your body in line with and behind the rotating wheel.** When the wheel, at the point of operation, is moving away from your body, the possible kickback may propel the spinning wheel and the power tool directly at you.
- c) **When wheel is binding or when interrupting a cut for any reason, switch off the power tool and hold the power tool motionless until the wheel comes to a complete stop. Never attempt to remove the cut-off wheel from the cut while the wheel is in motion otherwise kickback may occur.** Investigate and take corrective action to eliminate the cause of wheel binding.
- d) **Do not restart the cutting operation in the workpiece. Let the wheel reach full speed and carefully re-enter the cut.** The wheel may bind, walk up or kickback if the power tool is restarted in the workpiece.

- e) **Support panels or any oversized workpiece to minimize the risk of wheel pinching and kickback.** Large workpieces tend to sag under their own weight. Supports must be placed under the workpiece near the line of cut and near the edge of the workpiece on both sides of the wheel.
- f) **Use extra caution when making a “pocket cut” into existing walls or other blind areas.**

The protruding wheel may cut gas or water pipes, electrical wiring or objects that can cause kickback.

Safety Warnings Specific for Sanding Operations:

- a) **Do not use excessively oversized sanding disc paper. Follow manufacturers recommendations, when selecting sanding paper.** Larger sanding paper extending beyond the sanding pad presents a laceration hazard and may cause snagging, tearing of the disc or kickback.

Safety Warnings Specific for Wire Brushing Operations:

- a) **Be aware that wire bristles are thrown by the brush even during ordinary operation. Do not overstress the wires by applying excessive load to the brush.** The wire bristles can easily penetrate light clothing and/or skin.
- b) **If the use of a guard is recommended for wire brushing, do not allow interference of the wire wheel or brush with the guard.** Wire wheel or brush may expand in diameter due to work load and centrifugal forces.

Additional safety warnings:

17. **When using depressed centre grinding wheels, be sure to use only fiberglass-reinforced wheels.**
18. **NEVER USE Stone Cup type wheels with this grinder.** This grinder is not designed for these types of wheels and the use of such a product may result in serious personal injury.
19. **Be careful not to damage the spindle, the flange (especially the installing surface) or the lock nut. Damage to these parts could result in wheel breakage.**
20. **Make sure the wheel is not contacting the workpiece before the switch is turned on.**
21. **Before using the tool on an actual workpiece, let it run for a while. Watch for vibration or wobbling that could indicate poor installation or a poorly balanced wheel.**
22. **Use the specified surface of the wheel to perform the grinding.**
23. **Do not leave the tool running. Operate the tool only when hand-held.**
24. **Do not touch the workpiece immediately after operation; it may be extremely hot and could burn your skin.**
25. **Observe the instructions of the manufacturer for correct mounting and use of wheels. Handle and store wheels with care.**

26. Do not use separate reducing bushings or adaptors to adapt large hole abrasive wheels.
27. Use only flanges specified for this tool.
28. For tools intended to be fitted with threaded hole wheel, ensure that the thread in the wheel is long enough to accept the spindle length.
29. Check that the workpiece is properly supported.
30. Pay attention that the wheel continues to rotate after the tool is switched off.
31. If working place is extremely hot and humid, or badly polluted by conductive dust, use a short-circuit breaker (30 mA) to assure operator safety.
32. Do not use the tool on any materials containing asbestos.
33. When use cut-off wheel, always work with the dust collecting wheel guard required by domestic regulation.
34. Cutting discs must not be subjected to any lateral pressure.

SAVE THESE INSTRUCTIONS.

⚠WARNING:

DO NOT let comfort or familiarity with product (gained from repeated use) replace strict adherence to safety rules for the subject product. MISUSE or failure to follow the safety rules stated in this instruction manual may cause serious personal injury.

FUNCTIONAL DESCRIPTION

⚠CAUTION:

- Always be sure that the tool is switched off and unplugged before adjusting or checking function on the tool.

Shaft lock

Fig.1

⚠CAUTION:

- Never actuate the shaft lock when the spindle is moving. The tool may be damaged.

Press the shaft lock to prevent spindle rotation when installing or removing accessories.

Switch action

⚠CAUTION:

- Before plugging in the tool, always check to see that the switch trigger actuates properly and returns to the "OFF" position when released.
- Switch can be locked in "ON" position for ease of operator comfort during extended use. Apply caution when locking tool in "ON" position and maintain firm grasp on tool.

Fig.2

For tool with the lock-on switch (Not available in Europe)

To start the tool, simply pull the switch trigger (in the B direction). Release the switch trigger to stop. For continuous operation, pull the switch trigger (in the B direction) and then push in the lock lever (in the A direction). To stop the tool from the locked position, pull the switch trigger fully (in the B direction), then release it.

For tool with the lock-off switch

To prevent the switch trigger from accidentally pulled, a lock lever is provided.

To start the tool, push in the lock lever (in the A direction) and then pull the switch trigger (in the B direction). Release the switch trigger to stop.

For tool with the lock on and lock-off switch (Not available in Europe)

To prevent the switch trigger from accidentally pulled, a lock lever is provided.

To start the tool, push in the lock lever (in the A direction) and then pull the switch trigger (in the B direction). Release the switch trigger to stop.

For continuous operation, push in the lock lever (in the A direction), pull the switch trigger (in the B direction) and then push the lock lever (in the A direction) further in.

To stop the tool from the locked position, pull the switch trigger fully (in the B direction), then release it.

NOTE:

Models GA7020S, GA9020S, GA7020SF and GA9020SF begin to run slowly when they are turned on. This soft start feature assures smoother operation and less operator fatigue.

ASSEMBLY

⚠CAUTION:

- Always be sure that the tool is switched off and unplugged before carrying out any work on the tool.

Installing side grip (handle)

Fig.3

⚠CAUTION:

- Always be sure that the side grip is installed securely before operation.

Screw the side grip securely on the position of the tool as shown in the figure.

Installing or removing wheel guard (For depressed center wheel , multi disc , wire wheel brush / abrasive cut-off wheel , diamond wheel)

⚠WARNING:

- When using a depressed center grinding wheel/Multi-disc, flex wheel or wire wheel brush, the wheel guard must be fitted on the tool so that the closed side of the guard always points toward the operator.
- When using an abrasive cut-off / diamond wheel, be sure to use only the special wheel guard designed for use with cut-off wheels. (In some European countries, when using a diamond wheel, the ordinary guard can be used. Follow the regulations in your country.)

For tool with locking screw type wheel guard

Fig.4

Mount the wheel guard with the protrusion on the wheel guard band aligned with the notch on the bearing box. Then rotate the wheel guard to such an angle that it can protect the operator according to work. Be sure to tighten the screw securely.

To remove wheel guard, follow the installation procedure in reverse.

For tool with clamp lever type wheel guard

Fig.5

Fig.6

Loosen the lever on the wheel guard. Mount the wheel guard with the protrusion on the wheel guard band aligned with the notch on the bearing box. Then rotate the wheel guard around to the position shown in the figure. Tighten the lever to fasten the wheel guard. If the lever is too tight or too loose to fasten the wheel guard, loosen or tighten the nut by spanner to adjust the tightening of the wheel guard band.

To remove wheel guard, follow the installation procedure in reverse.

Installing or removing depressed center grinding wheel/Multi-disc (accessory)

Fig.7

Mount the inner flange onto the spindle. Fit the wheel/disc on the inner flange and screw the lock nut onto the spindle.

To tighten the lock nut, press the shaft lock firmly so that the spindle cannot revolve, then use the lock nut wrench and securely tighten clockwise.

Fig.8

To remove the wheel, follow the installation procedure in reverse.

Super flange

Models GA7020F,GA7020SF,GA9020F and GA9020SF are standard-equipped with a super flange. Only 1/3 of efforts needed to undo lock nut, compared with conventional type.

NOTE:

- Only for tools with M14 spindle thread.

Installing or removing abrasive disc (optional accessory)

NOTE:

- Use sander accessories specified in this manual. These must be purchased separately.

Fig.9

Mount the rubber pad onto the spindle. Fit the disc on the rubber pad and screw the lock nut onto the spindle. To tighten the lock nut, press the shaft lock firmly so that the spindle cannot revolve, then use the lock nut wrench and securely tighten clockwise.

To remove the disc, follow the installation procedure in reverse.

OPERATION

⚠WARNING:

- It should never be necessary to force the tool. The weight of the tool applies adequate pressure. Forcing and excessive pressure could cause dangerous wheel breakage.
- ALWAYS replace wheel if tool is dropped while grinding.
- NEVER bang or hit grinding disc or wheel onto work.
- Avoid bouncing and snagging the wheel, especially when working corners, sharp edges etc. This can cause loss of control and kickback.
- NEVER use tool with wood cutting blades and other sawblades. Such blades when used on a grinder frequently kick and cause loss of control leading to personal injury.

⚠CAUTION:

- Never switch on the tool when it is in contact with the workpiece, it may cause an injury to operator.
- Always wear safety goggles or a face shield during operation.
- After operation, always switch off the tool and wait until the wheel has come to a complete stop before putting the tool down.

Grinding and sanding operation

ALWAYS hold the tool firmly with one hand on rear handle and the other on the side handle. Turn the tool on and then apply the wheel or disc to the workpiece.

In general, keep the edge of the wheel or disc at an angle of about 15 degrees to the workpiece surface.

During the break-in period with a new wheel, do not work the grinder in the B direction or it will cut into the workpiece. Once the edge of the wheel has been rounded off by use, the wheel may be worked in both A and B direction.

Fig.10

Operation with wire cup brush (optional accessory)

⚠CAUTION:

- Check operation of brush by running tool with no load, insuring that no one is in front of or in line with brush.
- Do not use brush that is damaged, or which is out of balance. Use of damaged brush could increase potential for injury from contact with broken brush wires.

Fig.11

Unplug tool and place it upside down allowing easy access to spindle. Remove any accessories on spindle. Mount wire cup brush onto spindle and tighten with supplied wrench. When using brush, avoid applying too much pressure which causes over bending of wires, leading to premature breakage.

Operation with wire wheel brush (optional accessory)

⚠CAUTION:

- Check operation of wire wheel brush by running tool with no load, insuring that no one is in front of or in line with the wire wheel brush.
- Do not use wire wheel brush that is damaged, or which is out of balance. Use of damaged wire wheel brush could increase potential for injury from contact with broken wires.
- ALWAYS use guard with wire wheel brushes, assuring diameter of wheel fits inside guard. Wheel can shatter during use and guard helps to reduce chances of personal injury.

Fig.12

Unplug tool and place it upside down allowing easy access to spindle. Remove any accessories on spindle. Thread wire wheel brush onto spindle and tighten with the wrenches.

When using wire wheel brush, avoid applying too much pressure which causes over bending of wires, leading to premature breakage.

Operation with abrasive cut-off / diamond wheel (optional accessory)

⚠WARNING:

- When using an abrasive cut-off / diamond wheel, be sure to use only the special wheel guard designed for use with cut-off wheels. (In some European countries, when using a diamond wheel, the ordinary guard can be used. Follow the regulations in your country.)
- NEVER use cut-off wheel for side grinding.
- Do not "jam" the wheel or apply excessive pressure. Do not attempt to make an excessive depth of cut. Overstressing the wheel increases the loading and susceptibility to twisting or binding of the wheel in the cut and the possibility of kickback, wheel breakage and overheating of the motor may occur.
- Do not start the cutting operation in the workpiece. Let the wheel reach full speed and carefully enter into the cut moving the tool forward over the workpiece surface. The wheel may bind, walk up or kickback if the power tool is started in the workpiece.
- During cutting operations, never change the angle of the wheel. Placing side pressure on the cut-off wheel (as in grinding) will cause the wheel to crack and break, causing serious personal injury.
- A diamond wheel shall be operated perpendicular to the material being cut.

Mount the inner flange onto the spindle. Fit the wheel/disc on the inner flange and screw the lock nut onto the spindle.

Fig.13

For Australia and New Zealand

Installing or removing abrasive cut-off wheel / diamond wheel (optional accessory)

Fig.14

MAINTENANCE

⚠CAUTION:

- Always be sure that the tool is switched off and unplugged before attempting to perform inspection or maintenance.
- Never use gasoline, benzine, thinner, alcohol or the like. Discoloration, deformation or cracks may result.

The tool and its air vents have to be kept clean. Regularly clean the tool's air vents or whenever the vents start to become obstructed.

Fig.15

Replacing carbon brushes

Fig.16

When the resin insulating tip inside the carbon brush is exposed to contact the commutator, it will automatically shut off the motor. When this occurs, both carbon brushes should be replaced. Keep the carbon brushes clean and free to slip in the holders. Both carbon brushes should be replaced at the same time. Use only identical carbon brushes.

Use a screwdriver to remove the brush holder caps. Take out the worn carbon brushes, insert the new ones and secure the brush holder caps.

Fig.17

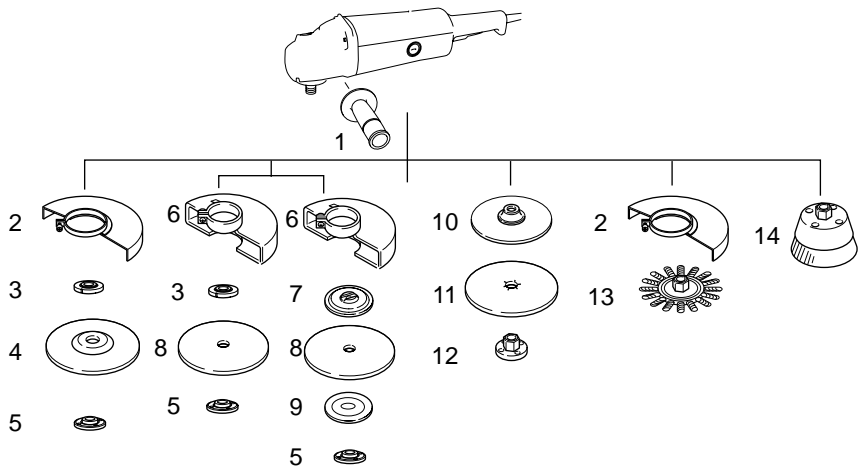
To maintain product SAFETY and RELIABILITY, repairs, any other maintenance or adjustment should be performed by Makita Authorized Service Centers, always using Makita replacement parts.

OPTIONAL ACCESSORIES

⚠CAUTION:

- These accessories or attachments are recommended for use with your Makita tool specified in this manual. The use of any other accessories or attachments might present a risk of injury to persons. Only use accessory or attachment for its stated purpose.

If you need any assistance for more details regarding these accessories, ask your local Makita Service Center.



1	Side grip
2	Wheel guard for Depressed center grinding wheel/Multi-disc / Wire wheel brush
3	Inner flange / Super flange *1*2
4	Depressed center grinding wheel/Multi-disc
5	Lock nut / Ezynut *1*2
6	Wheel guard for Abrasive cut off wheel / Diamond wheel *3
7	Inner flange 78 (Australia and New Zealand only) *4
8	Abrasive cut off wheel / Diamond wheel
9	Outer flange 78 (Australia and New Zealand only) *4
10	Rubber pad
11	Abrasive disc
12	Sanding lock nut
13	Wire wheel brush
14	Wire cup brush
—	Lock nut wrench
—	Dust cover attachment

*1 Only for tools with M14 spindle thread.

*2 Do not use Super flange and Ezynut together.

*3 In some European countries, when using a diamond wheel, the ordinary guard can be used instead of the special guard covering the both side of the wheel. Follow the regulations in your country.

*4 Use Inner flange 78 and Outer flange 78 together. (Australia and New Zealand only)

013353

NOTE:

- Some items in the list may be included in the tool package as standard accessories. They may differ from country to country.

Förklaring till översiktstillbilderna

1-1. Spindellås	7-3. Superfläns	14-1. Låsmutter
2-1. Avtryckare	7-4. Innerfläns	14-2. Yttre fläns 78
2-2. Låsknapp	8-1. Tappnyckel för låsmutter	14-3. Kap-/diamantskiva
4-1. Sprängskydd för sliprondell	8-2. Spindellås	14-4. Innerfläns 78
4-2. Skruv	9-1. Låsmutter	14-5. Sprängskydd för kap-/diamantskiva.
4-3. Lagerhus	9-2. Sliprondell	15-1. Utblås
5-1. Sprängskydd för sliprondell	9-3. Gummiplatta	15-2. Luftintag
5-2. Lagerhus	11-1. Koppformad stålborste	16-1. Kommutator
5-3. Mutter	12-1. Skivstålborste	16-2. Hartsspets
5-4. Spak	13-1. Låsmutter	16-3. Kolborste
6-1. Mutter	13-2. Kap-/diamantskiva	17-1. Kolhållarlock
6-2. Spak	13-3. Innerfläns	17-2. Skruvmejsel
7-1. Låsmutter	13-4. Sprängskydd för kap-/diamantskiva.	
7-2. Rondell med försänkt centrumhål		

SPECIFIKATIONER

Modell	GA7020	GA7020S	GA7021	GA9020	GA9020S
Diameter på rondell med försänkt centrumhål	180 mm		180 mm	230 mm	
Max. tjocklek för slipskiva	6,5 mm	6,5 mm	6,5 mm	6,5 mm	6,5 mm
Spindelgånga	M14 eller 5/8" (landsspecifik)		M14 eller 5/8" (landsspecifik)	M14 eller 5/8" (landsspecifik)	
Märkvarvtal (n) / Obelastat varvtal (n ₀)	8 500 min ⁻¹		6 600 min ⁻¹	6 600 min ⁻¹	
Total längd	473 mm		473 mm	473 mm	
Vikt	5,5 kg	5,7 kg	5,5 kg	5,8 kg	5,9 kg
Säkerhetsklass	II/II				

- På grund av vårt pågående program för forskning och utveckling kan dessa specifikationer ändras utan föregående meddelande.
- Specifikationerna kan variera mellan olika länder.
- Vikt i enlighet med EPTA-procedur 01/2003

ENE048-1

ENG905-1

Användningsområde

Maskinen är avsedd för slipning och kapning i trä och stenmaterial utan användning av vatten.

ENF002-2

Strömförsörjning

Maskinen får endast anslutas till elnät med samma spänning som anges på typplåten och med enfasig växelström. De är dubbelisolerade och får därför också anslutas i ojordade vägguttag.

ENF100-1

Avsedd för elnät med 220 - 250 V.

Att starta och stänga av elektriska apparater medför spänningsfluktuationer. Om denna maskin används under ogynnsamma förhållanden kan funktioner hos annan utrustning påverkas negativt. I elnät med ett motstånd på högst 0,27 Ohm är det rimligt att anta att negativa effekter inte förekommer. Nätuttaget för den här enheten måste vara försedd med trög säkring eller skyddsavbrytare.

Buller

Typiska A-vägda bullernivån är mätt enligt EN60745:

Ljudtrycksnivå (L_{PA}): 89 dB (A)
Ljudeffektnivå (L_{WA}): 100 dB (A)
Måttolerans (K): 3 dB (A)

Använd hörselskydd

ENG900-1

Vibration

Vibrationens totalvärde (tre-axlars vektorsumma) mätt enligt EN60745:

Modell GA7020, GA7020S

Arbetsläge: planslipning med normalt sidohandtag
Vibrationsemission (a_{n,AG}): 8,5 m/s²
Måttolerans (K): 1,5 m/s²

Arbetsläge: planslipning med anti-vibrationssidohandtag
Vibrationsemission (a_{n,AG}): 8,0 m/s²
Måttolerans (K): 1,5 m/s²

Arbetsläge: skivslipning
 Vibrationsemission ($a_{h,DS}$): 2,5 m/s²
 Mättolerans (K): 1,5 m/s²

Modell GA7021

Arbetsläge: planslipning med normalt sidohandtag
 Vibrationsemission ($a_{h,AG}$): 5,0 m/s²
 Mättolerans (K): 1,5 m/s²

Arbetsläge: planslipning med anti-vibrationssidohandtag
 Vibrationsemission ($a_{h,AG}$): 4,5 m/s²
 Mättolerans (K): 1,5 m/s²

Arbetsläge: skivslipning
 Vibrationsemission ($a_{h,DS}$): 2,5 m/s² eller lägre
 Mättolerans (K): 1,5 m/s²

Modell GA9020,GA9020S

Arbetsläge: planslipning
 Vibrationsemission ($a_{h,AG}$): 5,5 m/s²
 Mättolerans (K): 1,5 m/s²

Arbetsläge: skivslipning
 Vibrationsemission ($a_{h,DS}$): 2,5 m/s² eller lägre
 Mättolerans (K): 1,5 m/s²

ENG902-1

- Det deklarerade vibrationsemissionsvärdet har uppmätts i enlighet med standardtestmetoden och kan användas för jämförandet av en maskin med en annan.
- Det deklarerade vibrationsemissionsvärdet kan också användas i preliminär bedömning av exponering för vibration.
- Det deklarerade vibrationsemissionsvärdet används för maskinens huvudsakliga arbetsuppgifter. Om maskinen används för andra arbetsuppgifter däremot kan vibrationsemissionsvärdet bli annorlunda.

⚠️ VARNING!

- Vibrationsemissionen under faktisk användning av maskinen kan skilja sig från det deklarerade emissionsvärdet, beroende på hur maskinen används.
- Se till att hitta säkerhetsåtgärder som kan skydda användaren och som grundar sig på en uppskattning av exponering i verkligheten (ta med i beräkningen alla delar av användandet såsom antal gånger maskinen är avstängd och när den körs på tomgång samt då startomkopplaren används).

Gäller endast Europa

EU-konformitetsdeklaration

Makita försäkrar att följande maskiner:

Maskinbeteckning:

Vinkelslipmaskin

Modellnummer/Typ: GA7020, GA7020S, GA7021, GA9020, GA9020S

Följer följande EU-direktiv:

2006/42/EC

De är tillverkade i enlighet med följande standard eller standardiseringsdokument:

EN60745

Den tekniska dokumentationen i enlighet med 2006/42/EG finns tillgänglig från:

Makita, Jan-Baptist Vinkstraat 2, 3070, Belgium

31.12.2013



000331

Yasushi Fukaya
 Direktör

Makita, Jan-Baptist Vinkstraat 2, 3070, Belgium

GEA010-1

Allmänna säkerhetsvarningar för maskin

⚠️ **VARNING** Läs igenom alla säkerhetsvarningar och instruktioner. Underlåtenhet att följa varningar och instruktioner kan leda till elektrisk stöt, brand och/eller allvarliga personskador.

Spara alla varningar och instruktioner för framtida referens.

GEB033-7

SÄKERHETSVARNINGAR FÖR SLIPMASKIN

Säkerhetsvarningar för slipning, stålborstning eller abrasiv skärning:

1. **Den här maskinen är utformad för att användas för slipning, stålborstning eller som skärverktyg. Läs alla säkerhetsvarningar, instruktioner, illustrationer som medföljer den här maskinen.** Underlåtenhet att följa alla instruktioner nedan kan leda till elstötar, brand och/eller allvarlig skada.
2. **Den här maskinen rekommenderas inte för poleringsarbeten.** Används maskinen till andra arbeten än de avsedda, kan det orsaka fara och personskada.
3. **Använd inte tillbehör som inte är särskilt tillverkade och rekommenderade av maskinens tillverkare.** Även om tillbehöret passar maskinen, innebär det inte säker funktion.

4. **Tillbehörets märkvarvtalet måste vara minst lika med det maximala varvtalet som anges på maskinen.** Tillbehör som används över märkvarvtalet kan gå sönder och orsaka skador.
5. **Tillbehörets ytterdiameter och tjocklek skall vara anpassat till maskinens kapacitet.** Tillbehör i olämplig storlek kan inte skyddas eller styras tillräckligt väl.
6. **Gångorna på tillbehör som monteras måste stämma överens med spindelgångorna på slipmaskinen.** För tillbehör som monteras med flänsar måste centrumhålet på tillbehöret passa på flänsens styrdiameter. Tillbehör som inte passar exakt på maskinens monteringsbeslag roterar ojämnt, vibrerar kraftigt och kan leda till att du förlorar kontrollen.
7. **Använd inte skadade tillbehör. Kontrollera tillbehör som sliprondeller efter hack och sprickor, underlagsplattor efter sprickor, slitage och stålborstar efter lösa eller brutna trådar.** Om du tappar maskinen eller ett tillbehör, kontrollera efter skador eller sätt i ett oskadat tillbehör. Efter inspektion och installation av ett tillbehör, ställ dig och andra närvarande bort från det roterande tillbehörets riktning och kör maskinen på full hastighet utan last i en minut. Skadade tillbehör går normalt sönder under den här testtiden.
8. **Använd personlig skyddsutrustning. Använd visir, ögonskydd eller skyddsglasögon beroende på arbetet.** Om det är lämpligt, använd dammask, hörselskydd, handskar och skyddsförkläde som kan skydda mot avskrap eller små fragment från arbetsstycket. Ögonskyddet måste kunna stoppa flygande fragment som uppstår vid olika arbeten. Dammasken eller andningsmasken måste kunna filtrera partiklar som uppstår vid arbetet. Att utsättas för ihållande högt och intensivt ljud kan orsaka hörselskador.
9. **Håll personer i omgivningen på säkert avstånd från arbetsområdet. De som befinner sig i arbetsområdet ska bära personlig skyddsutrustning.** Delar av arbetsstycket eller defekta tillbehör kan flyga iväg och orsaka skador utanför arbetsområdet.
10. **Håll maskinen endast i de isolerade handtagen när du utför arbete där verktyget kan komma i kontakt med en dold elkabel eller maskinens kabel.** Om verktyget kommer i kontakt med en strömförande ledning blir maskinens metalldelar strömförande och kan ge operatören en elektrisk stöt.
11. **Placera nätsladden bort från det roterande tillbehöret.** Om du förlorar kontrollen, kan nätsladden kapas eller fastna och din hand eller arm kan dras in i det roterande verktyget.
12. **Lägg aldrig maskinen åt sidan förrän den har stannat helt.** Det roterande tillbehöret kan gripa tag i underlaget och du kan förlora kontrollen över maskinen.
13. **Kör inte maskinen när du bär det vid din sida.** Oavsiktlig kontakt med det roterande tillbehöret kan fastna i dina kläder, och dra in tillbehöret mot kroppen.
14. **Rengör regelbundet maskinens ventilationsöppningar.** Motorns fläkt suger in damm i höljet och överdriven ansamling av pulveriserad metall kan orsaka elektrisk fara.
15. **Använd inte maskinen i närheten av lättantändliga material.** Gnistor kan antända dessa material.
16. **Använd inte tillbehör som kräver flytande kylvätskor.** Att använda vatten eller andra flytande kylvätskor kan orsaka dödsfall eller elektriska stötar.

Bakåtkast och relaterade varningar

Bakåtkast är en plötslig reaktion på fastnytt roterande hjul, underlagsplatta, borste eller annat tillbehör. Nyp och kärvning orsakar stegring av det roterande tillbehöret, och orsakar i sin tur att den okontrollerade maskinen tvingas i motsatt riktning vid kärvningspunkten.

Om en slipskiva till exempel nyper fast i arbetsstycket, kan skivans kant som går in i fästpunkten skära in i materialet och orsaka att hjulet hoppar ur och kastas bakåt. Hjulet kan antingen hoppa mot eller från användaren, beroende på hjulets rörelseriktning vid kärvningspunkten. Slipskivor kan även gå sönder under dessa omständigheter.

Bakåtkast beror på ovarsamhet och/eller felaktiga arbetsrutiner eller omständigheter för maskinen och kan undvikas genom att vidta nedanstående förebyggande åtgärder.

- a) **Håll stadigt i maskinen och ställ dig så att din kropp och arm kan motverka krafterna vid bakåtkast. Använd alltid ett extrahandtag, om sådant finns, för att maximal kontroll vid bakåtkast eller vridningsrörelsen vid start.** Användaren kan kontrollera vridrörelsen eller krafterna vid bakåtkast om rätt försiktighetsåtgärder vidtas.
- b) **Håll aldrig handen i närheten av det roterande tillbehöret.** Tillbehöret kan kastas bakåt över din hand.
- c) **Ställ dig inte dit maskinen kommer att flytta i händelse av bakåtkast.** Bakåtkast kommer att driva verktyget i motsatt riktning till hjulets rörelse vid kärvningspunkten.
- d) **Var försiktig vid arbeten på hörn, vassa kanter etc. Undvik att studsas och klämma tillbehöret.** Hörn, skarpa kanter eller studsning har en tendens att klämma det roterande tillbehöret och orsaka förlorad kontroll eller bakåtkast.
- e) **Montera inte en sågkedja, snidarblad eller ett tandat sågblad.** Sådana blad orsakar ofta bakåtkast och förlorad kontroll.

Säkerhetsvarningar för slipning och abrasiv skärning:

- a) **Använd endast de skivor som rekommenderas för din maskin och det särskilda sprängskyddet för skivan.** Skivor som inte tillverkats för maskinen kan inte skyddas tillräckligt och är inte tillförlitliga.
- b) **Slipytan på nedsänkta skivor måste monteras under planet från sprängskyddets kant.** En felaktigt monterad skiva som sticker utanför planet från sprängskyddets kant är inte tillräckligt skyddad.
- c) **Sprängskyddet måste vara ordentligt fäst vid maskinen och placerat för maximal säkerhet, så att minsta möjliga yta av skivan är öppen mot användare.** Sprängskyddet skyddar användaren mot trasiga skivdelar, oavsiktlig kontakt med skivan och gnistor som kan antända kläder.
- d) **Skivorna får endast användas till rekommenderade arbetsuppgifter. Till exempel: slipa inte med en kapskivas utsida.** Slipkapskivor är avsedda för kantslipning, sidokrafter kan spränga sådana skivor.
- e) **Använd alltid oskadade skivflänsar i rätt storlek och form till din skiva.** Rätt skivflänsar stöder skivan och minskar risken för att skivan går sönder. Flänsar till kapskivor kan skilja sig från flänsar till slipskivor.
- f) **Använd inte nedslitna skivor från större maskiner.** Skivor avsedda för större maskiner är inte lämpliga för mindre maskiners högre varvtal och kan spricka.

Ytterligare särskilda säkerhetsvarningar för abrasiv skärning:

- a) **Kärva inte fast kapskivan och använd inte för stor kraft. Skär inte onödigt djupt.** Överbelastning av skivan ökar risken för vridning eller nyppning av skivan i skäret och risken för bakåtkast eller att skivan går sönder.
- b) **Ställ dig inte i linje med och bakom den roterande skivan.** När skivan rör sig ifrån dig, kan ett bakåtkast skicka den roterande skivan och maskinen mot dig.
- c) **När skivan kärvar eller om en skärning avbryts, stäng av maskinen och håll maskinen stilla tills skivan har stannat helt. Försök aldrig att ta ut kapskivan ur skäret när skivan är i rörelse, för att undvika bakåtkast.** Kontrollera och rätta till eventuella brister för att eliminera risken för kärvning.
- d) **Starta inte om kapningen med maskinen i arbetsstycket. Låt skivan nå full hastighet och placera den försiktigt tillbaka i skäret.** Skivan kan kärva, hoppa ur eller orsaka bakåtkast om maskinen startas om i arbetsstycket.

e) **Stötta långa eller stora arbetsstycken för att minimera risken för att klingan nyper fast och ger bakåtkast.** Långa arbetsstycken böjs av sin egen tyngd. Placera stöd under arbetsstycket nära skärkanten och stöd på båda sidorna, vid kanten på arbetsstycket och på båda sidor av skivan.

f) **Var extra uppmärksam vid genomstick in i en vägg eller andra dolda utrymmen.** Den utskjutande klingan kan säga av gas- eller vattenledningar, elektriska ledningar eller föremål som kan orsaka bakåtkast.

Säkerhetsvarningar särskilt vid slipning:

a) **Använd inte för stora slipskivor.** Följ tillverkarens rekommendationer när du väljer slipskiva. Större slippapper som sticker ut utanför underlaget ger risk för rivning och kan orsaka kärvning, rivning av skivan eller bakåtkast.

Säkerhetsvarningar särskilt vid stålborstning:

- a) **Var uppmärksam på att trädbitar kastas ut från borsten även vid normal användning.** Överbelasta inte trådarna genom att anlägga onödigt stor kraft mot borsten. Trådarna kan enkelt gå igenom tunnare klädsel och/eller huden.
- b) **Om användning av skydd rekommenderas vid stålborstning, tillåt inte att borstskivan eller borsten går emot skyddet.** Borstens diameter kan expandera på grund av belastningen eller centrifugalkraften.

Ytterligare säkerhetsvarningar:

17. **Vid användning av nedsänkta center-rondeller, ska endast glasfiberförstärkta rondeller användas.**
18. **ANVÄND ALDRIG sten-skålskivor med denna slipmaskin.** Denna slipmaskin är inte konstruerad för denna typ av skivor och användningen av dessa kan resultera i allvarlig personskada.
19. **Var försiktig så att inte spindeln, flänsen (i synnerhet monteringsytan) eller låsmuttern skadas. Skador på någon av dessa delar kan medföra att rondellen förstörs.**
20. **Se till att rondellen inte är i kontakt med arbetsstycket när du trycker på avtryckaren.**
21. **Låt verktyget vara igång en stund innan den används på arbetsstycket. Kontrollera att skivan inte vibrerar eller skakar vilket kan innebära att den är felaktigt monterad eller dåligt balanserad.**
22. **Slipa endast med den del av rondellen som är avsedd för slipning.**
23. **Lämna inte maskinen igång. Använd endast maskinen när du håller den i händerna.**
24. **Rör inte vid arbetsstycket omedelbart efter arbetet. Det kan vara extremt varmt och orsaka brännskador.**
25. **Följ tillverkarens anvisningar för korrekt montering och användning av rondeller. Hantera rondellerna varsamt och förvara dem på säker plats.**

FUNKTIONSBESKRIVNING

26. Använd inte separata reducerhylsor eller adapterar för att kunna använda sliprondeller med större hål.
27. Använd endast flänsar avsedda för den här maskinen.
28. Kontrollera att gänglängden i rondellen är tillräckligt lång för spindellängden om rondellen är avsedd att gängas fast.
29. Kontrollera att arbetsstycket är ordentligt fastsatt.
30. Tänk på att rondellen fortsätter att rotera efter att maskinen stängts av.
31. Om arbetsplatsen är extremt varm och fuktig, eller har hög koncentration av elektriskt ledande damm, ska jordfelsbrytare (30 mA) användas för användarens säkerhet.
32. Använd inte maskinen för material som innehåller asbest.
33. Använd alltid föreskrivet dammuppsamlade sprängskydd när du arbetar med kapskiva.
34. Kapskivor får inte utsättas för sidokrafter.

SPARA DESSA ANVISNINGAR.

⚠VARNING!

GLÖM INTE att noggrant följa säkerhetsanvisningarna för maskinen även efter det att du har blivit van att använda den. OVARSAM hantering eller underlåtenhet att följa säkerhetsanvisningarna i denna bruksanvisning kan leda till allvarliga personskador.

⚠FÖRSIKTIGT!

- Se alltid till att maskinen är avstängd och nätsladden urdragen innan du justerar eller funktionskontrollerar maskinen.

Spindellås

Fig.1

⚠FÖRSIKTIGT!

- Aktivera aldrig spindellåset medan spindeln rör sig. Maskinen kan skadas.

Tryck ned spindellåset för att förhindra att spindeln roterar när du monterar eller tar bort tillbehör.

Avtryckarens funktion

⚠FÖRSIKTIGT!

- Innan du ansluter maskinen till elnätet ska du kontrollera att avtryckaren fungerar och återgår till läget "OFF" när du släpper den.
- Knappen kan låsas i läge "ON" för att underlätta användning när maskinen används under längre tid. Var försiktig när du låser maskinen i läge "ON", och fortsatt håll ett stadigt grepp i maskinen.

Fig.2

För maskiner med omkopplare för låst i på-läge (Ej tillgänglig i Europa)

Starta maskinen genom att trycka in avtryckaren (i riktning B). Släpp avtryckaren för att stoppa maskinen. För kontinuerlig funktion trycker du först in avtryckaren (i riktning B) och sedan säkerhetsspärren (i riktning A). Tryck in avtryckaren helt (i riktning B) och släpp den sedan för att avbryta det kontinuerliga läget.

Maskin med säkerhetsspärr

En säkerhetsspärr förhindrar oavsiktlig aktivering av avtryckaren.

Tryck in säkerhetsspärren (i riktning A) och tryck sedan in avtryckaren (i riktning B) för att starta maskinen. Släpp avtryckaren för att stoppa maskinen.

För maskiner med omkopplare för låst i på-läge och låst i av-läge (Ej tillgänglig i Europa)

En säkerhetsspärr förhindrar oavsiktlig aktivering av avtryckaren.

Tryck in säkerhetsspärren (i riktning A) och tryck sedan in avtryckaren (i riktning B) för att starta maskinen. Släpp avtryckaren för att stoppa maskinen.

Tryck in säkerhetsspärren (i riktning A), tryck in avtryckaren (i riktning B) och tryck därefter in säkerhetsspärren mer (i riktning A) för kontinuerlig användning.

Tryck in avtryckaren helt (i riktning B) och släpp den sedan för att stoppa maskinen.

OBS!

Modellerna GA7020S, GA9020S, GA7020SF och GA9020SF startas långsamt. Denna mjukstart underlättar arbetet och tröttrar inte ut användaren.

MONTERING

⚠FÖRSIKTIGT!

- Se alltid till att maskinen är avstängd och nätsladden urdragen innan maskinen repareras.

Montera sidohandtaget

Fig.3

⚠FÖRSIKTIGT!

- Kontrollera alltid att sidohandtaget sitter fast ordentligt innan arbetet påbörjas.

Skruva fast sidohandtaget ordentligt på rätt plats på maskinen enligt figuren.

Montera eller demontera sprängskydd (för sliprondell med försänkt centrumhål, multirondell, skivstålborste/kapskiva, diamanstkiva)

⚠VARNING!

- När en sliprondell med försänkt centrumhål/multirondell, flexibel rondell eller skivstålborste används, måste sprängskyddet monteras på maskinen så att den slutna sidan alltid är vänd mot användaren.
- Vid användning av en kap-/diamanstkiva ska du vara noga med att endast använda det speciella sprängskydd som är avsett för användning tillsammans med kapskivor. (I vissa europeiska länder kan det vanliga sprängskyddet användas tillsammans med diamanstkivan. Följ föreskrifterna i ditt land.)

För maskin med sprängskydd och låsskruv

Fig.4

Montera sprängskyddet så att åsen på sprängskyddets band passar in i urtaget på lagerhuset. Vrid sedan sprängskyddet så att det skyddar användaren i arbetet med maskinen. Dra åt skruven ordentligt.

Gör på omvänt sätt för att ta bort sprängskyddet.

För maskin med sprängskydd och klämspak

Fig.5

Fig.6

Lossa spaken på sprängskyddet. Montera sprängskyddet så att åsen på sprängskyddets band passar in i urtaget på lagerhuset. Vrid sedan sprängskyddet runt till det läge som visas i figuren. Spänn fast sprängskyddet med spaken. Om spaken sitter för löst eller för hårt för att kunna fästa sprängskyddet lossar eller drar du åt muttern med en skruvnyckel för att justera sprängskyddets spännband. Gör på omvänt sätt för att ta bort sprängskyddet.

Montera eller demontera rondell med försänkt centrumhål/multirondell (tillbehör)

Fig.7

Sätt fast innerflänsen på spindeln. Passa in rondellen/skivan på innerflänsen och skruva på låsmuttern på spindeln.

Tryck in spindellåset ordentligt för att dra fast låsmuttern så att spindeln inte kan rotera. Använd sedan tappnyckeln för att dra fast ytterligare.

Fig.8

Gör på omvänt sätt för att ta bort rondellen.

Superfläns

Modellerna GA7020F,GA7020SF,GA9020F och GA9020SF är försedda med superfläns som standard. Endast 1/3 ansträngning behövs för att lossa låsmuttern jämfört med konventionell typ.

OBS!

- Endast för maskiner med M14-spindelgång

Montera eller demontera sliprondell (valfritt tillbehör)

OBS!

- Använd endast slipningstillbehör som specificeras i denna bruksanvisning. Dessa måste köpas separat.

Fig.9

Sätt fast stödrondellen på spindeln Passa in rondellen över stödrondellen och skruva fast låsmuttern på spindeln. När du ska skruva fast låsmuttern trycker du ned spindellåset så att spindeln inte kan rotera. Dra sedan fast låsmuttern medurs med nyckeln.

Följ monteringsanvisningarna i omvänd ordning för att ta bort rondellen.

ANVÄNDNING

⚠VARNING!

- Tänk på att aldrig tvinga maskinen. Maskinens vikt ska utgöra ett tillräckligt tryck. Tvång eller överdrivet tryck kan resultera i farliga rondellbrott.
- Byt ALLTID ut rondellen om den har tappats under slipning.
- Slå ALDRIG med rondellen eller skivan på arbetsstycket.
- Undvik att studsas eller hacka med rondeller, i synnerhet i närheten av hörn, skarpa kanter osv. Det är lätt att i dessa situationer förlora kontrollen över maskinen så att den kastas bakåt.
- Använd ALDRIG maskinen med sågklingor av någon typ. Sådana klingor ger ofta bakåtkast i slipmaskiner och detta kan skada användaren.

⚠ FÖRSIKTIGT!

- Starta aldrig maskinen när denna är i kontakt med arbetsstycket. Det kan orsaka personskador.
- Använd alltid skyddsglasögon eller visir under arbetet.
- När du är klar med arbetet ska du vänta tills rondellen stannat helt innan du lägger maskinen åt sidan.

Slipning av trä och metall

Håll ALLTID maskinen i ett fast grepp med ena handen på bakre handtaget och den andra på sidohandtaget. Starta maskinen och börja därefter att slipa arbetsstycket. I allmänhet är det lämpligt att hålla kanten på skivan/rondellen i ungefär 15 graders vinkel mot arbetsstycket.

Under inkörning av en ny skiva/rondell ska slipmaskinen inte föras i riktning B eftersom den då kan köra fast i arbetsstycket. När kanten på skivan/rondellen har rundats av kan den användas i båda riktningarna (A och B).

Fig.10

Användning av den koppformade stålborsten (valfritt tillbehör)

⚠ FÖRSIKTIGT!

- Kontrollera hur borsten fungerar genom att köra maskinen utan belastning och försäkra dig om att ingen finns framför eller i linje med borsten.
- Använd inte en borste som är skadad eller obalanserad eftersom det kan öka risken för skada vid kontakt med trasiga ståltrådar.

Fig.11

Koppla bort maskinen från elnätet och placera den upp och ned för att lättare komma åt spindeln. Ta bort eventuella tillbehör på spindeln. Montera den koppformade stålborsten på spindeln och dra åt med den medföljande nyckeln. Undvik att använda för mycket tryck vid användning av borsten eftersom det böjer ståltrådarna för mycket och leder till slitage i förtid.

Användning av skivstålborsten (valfritt tillbehör)

⚠ FÖRSIKTIGT!

- Kontrollera hur skivstålborsten fungerar genom att köra maskinen utan belastning och försäkra dig om att ingen finns framför eller i linje med skivstålborsten.
- Använd inte en skivstålborste som är skadad eller obalanserad eftersom det kan öka risken för skada vid kontakt med trasiga ståltrådar.
- Använd ALLTID skydd tillsammans med skivstålborstar och kontrollera att skivdiametern passar innanför skyddet. Skivan kan splittras under användningen och skyddet minskar risken för personskador.

Fig.12

Koppla bort maskinen från elnätet och placera den upp och ned för att lättare komma åt spindeln. Ta bort eventuella tillbehör på spindeln. Montera skivstålborsten på spindeln och dra åt med nycklarna.

Undvik att lägga på för mycket tryck vid användning av skivstålborsten eftersom det böjer ståltrådarna för mycket och leder till slitage i förtid.

Användning av kap-/diamantskiva (valfritt tillbehör)

⚠ VARNING!

- Vid användning av en kap-/diamantskiva ska du vara noga med att endast använda det speciella sprängskydd som är avsett för användning tillsammans med kapskivor. (I vissa europeiska länder kan det vanliga sprängskyddet användas tillsammans med diamantskivan. Följ föreskrifterna i ditt land.)
- Använd ALDRIG kapskivor för sidoslipning.
- Se till att skivan inte "kärvar" och tryck inte hårt. Undvik att göra för djupa skår. Överutnyttjande av skivan ökar belastningen på maskinen och risken för att skivan bänds eller fastnar i spåret ökar, liksom risken för bakåtkast, skivbrott och överhettning av motorn.
- Starta inte skärningen med maskinen i arbetsstycket. Låt skivan uppnå fullt varvtal och sänk försiktigt ned maskinen och för den framåt. Skivan kan fastna, krypa upp eller kastas bakåt om maskinen startas med verktyget i ingrepp i arbetsstycket.
- Under skärningen får skivans vinkel aldrig ändras. Sidotryck på kapskivan (som vid slipning) medför att skivan spricker och sprängs, vilket kan leda till svåra personskador.
- En diamantskiva ska arbetas vinkelrätt mot det material som ska kapas.

Sätt fast innerflänsen på spindeln. Passa in rondellen/skivan på innerflänsen och skruva på låsmuttern på spindeln.

Fig.13

För Australien och Nya Zeeland

Montera eller demontera kap-/diamantskiva (valfritt tillbehör)

Fig.14

UNDERHÅLL

⚠FÖRSIKTIGT!

- Se alltid till att maskinen är avstängd och nätkabeln urdragen innan inspektion eller underhåll utförs.
- Använd inte bensin, thinner, alkohol eller liknande. Missfärgning, deformation eller sprickor kan uppstå.

Maskinen och luftintagen måste vara rena. Rengör maskinens ventilationshål regelbundet eller så snart ventilationen påverkas negativt.

Fig.15

Byte av kolborstar

Fig.16

När hartsspetsen inuti kolborsten kommer i kontakt med kommutatorn stängs motorn automatiskt av. När detta sker ska båda kolborstarna bytas ut. Håll kolborstarna rena så att de lätt kan glida in i hållarna. Båda kolborstarna ska bytas ut samtidigt. Använd endast identiska kolborstar.

Använd en skruvmejsel för att ta bort locken till kolborstarna. Ta ur de utslitna kolborstarna, montera nya och montera locken.

Fig.17

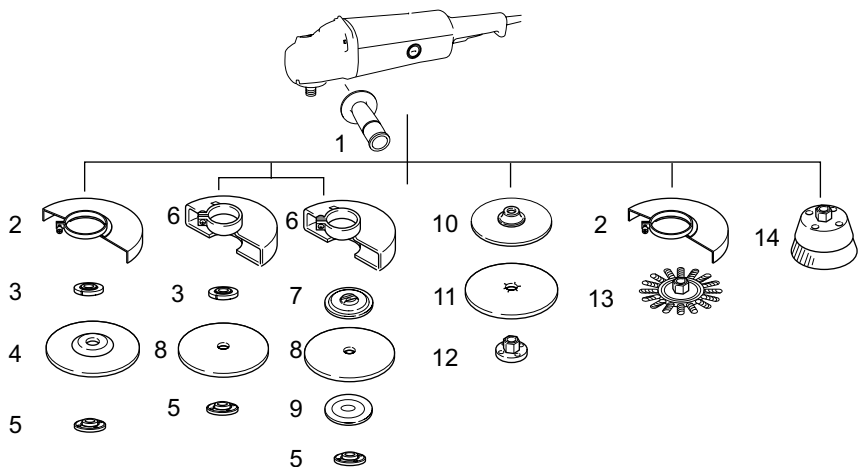
För att upprätthålla produktens SÄKERHET och TILLFÖRLITLIGHET bör allt underhålls- och justeringsarbete utföras av ett auktoriserat Makita servicecenter och med reservdelar från Makita.

VALFRIA TILLBEHÖR

⚠FÖRSIKTIGT!

- Dessa tillbehör och tillsatser rekommenderas för användning tillsammans med den Makita-maskin som denna bruksanvisning avser. Om andra tillbehör eller tillsatser används kan det uppstå risk för personskador. Använd endast tillbehören eller tillsatserna för de syften de är avsedda för.

Kontakta ditt lokala Makita servicecenter om du behöver ytterligare information om dessa tillbehör.



1	Sidohandtag
2	Sprängskydd för skiva med försänkt centrumhål/multirondell/skivstålborste
3	Innerfläns/Superfläns *1*2
4	Sliprondell med försänkt centrumhål/multirondell
5	Låsmutter/Ezynut *1*2
6	Sprängskydd för kap-/diamantskiva *3
7	Innerfläns 78 (endast Australien och Nya Zeeland) *4
8	Kap-/diamantskiva
9	Ytterfläns 78 (endast Australien och Nya Zeeland) *4
10	Gummiplatta
11	Sliprondell
12	Låsmutter för slipning
13	Skivstålborste
14	Koppformad stålbörste
—	Tappnyckel för låsmutter
—	Dammskyddstillsats

*1 Endast för maskiner med M14-spindelgänga.

*2 Använd inte superfläns och Ezynut tillsammans.

*3 I vissa europeiska länder kan det vanliga sprängskyddet användas tillsammans med diamantskivan istället för specialsprängskyddet som täcker båda sidor av skivan. Följ föreskrifterna i ditt land.

*4 Använd innerfläns 78 och ytterfläns 78 tillsammans. (Endast Australien och Nya Zeeland)

013353

OBS!

- Några av tillbehören i listan kan vara inkluderade i maskinpaketet som standardtillbehör. De kan variera mellan olika länder.

Oversiktsforklaring

1-1. Spindellås	7-4. Indre flens	14-2. Ytre flens 78
2-1. Startbryter	8-1. Låsemutternøkkel	14-3. Slipende kappeskive/diamantskive
2-2. Låsehendel	8-2. Spindellås	14-4. Indre flens 78
4-1. Beskyttelseskappe	9-1. Låsemutter	14-5. Skivevern for slipende kappeskive/diamantskive
4-2. Skruer	9-2. Slipeskive	15-1. Luftutløp
4-3. Lagerboks	9-3. Gummirondell	15-2. Luftinntak
5-1. Beskyttelseskappe	11-1. Sirkulær stålbørste	16-1. Kommutator
5-2. Lagerboks	12-1. Skivebørste	16-2. Isolerende spiss
5-3. Mutter	13-1. Låsemutter	16-3. Kullbørste
5-4. Spak	13-2. Slipende kappeskive/diamantskive	17-1. Børsteholderhette
6-1. Mutter	13-3. Indre flens	17-2. Skrutrekker
6-2. Spak	13-4. Skivevern for slipende kappeskive/diamantskive	
7-1. Låsemutter	14-1. Låsemutter	
7-2. Slipeskive med forsenket nav		
7-3. Superflens		

TEKNISKE DATA

Modell	GA7020	GA7020S	GA7021	GA9020	GA9020S
Diameter for slipeskive med forsenket nav	180 mm		180 mm	230 mm	
Maks. Skivetykkelse	6,5 mm	6,5 mm	6,5 mm	6,5 mm	6,5 mm
Spindelgjenge	M14 eller 5/8" (varierer i henhold til land)		M14 eller 5/8" (varierer i henhold til land)	M14 eller 5/8" (varierer i henhold til land)	
Merkehastighet (n) / Hastighet uten belastning (n ₀)	8 500 min ⁻¹		6 600 min ⁻¹	6 600 min ⁻¹	
Total lengde	473 mm		473 mm	473 mm	
Nettovekt	5,5 kg	5,7 kg	5,5 kg	5,8 kg	5,9 kg
Sikkerhetsklasse	II/III				

- Som følge av vårt kontinuerlige forsknings- og utviklingsprogram kan de tekniske dataene endres uten ytterligere forvarsel.
- Tekniske data kan variere fra land til land.
- Vekt i henhold til EPTA-prosedyre 01/2003

ENE048-1

ENG905-1

Riktig bruk

Maskinen er beregnet på sliping, pussing og kutting av metall og steinmaterialer uten bruk av vann.

ENF002-2

Strømforsyning

Maskinen må bare kobles til en strømkilde med samme spenning som vist på typeskiltet, og kan bare brukes med enfase-vekselstrømforsyning. Den er dobbelt verneisoleret og kan derfor også brukes fra kontakter uten jording.

ENF100-1

For offentlige lavspenningsnett på mellom 220 V og 250 V.

Inn- og utkobling av elektriske apparater forårsaker spenningsvariasjoner. Bruken av dette apparatet under uheldige forhold i strømmettet kan ha negative virkninger på bruken av annet utstyr. Når strømmetimpedansen er lik eller lavere enn 0,27 ohm, er det grunn til å anta at ingen negative virkninger vil oppstå. Nettuttaket som brukes til dette apparatet må være beskyttet av en treg sikring eller et treg overlastvern.

Støy

Typisk A-vektet lydtryknivå er bestemt i henhold til EN60745:

Lydtryknivå (L_{PA}): 89 dB (A)
Lydeffektnivå (L_{WA}): 100 dB (A)
Usikkerhet (K): 3 dB (A)

Bruk hørselvern

ENG900-1

Vibrasjon

Den totale vibrasjonsverdien (triaksial vektorsum) bestemt i henhold til EN60745:

Modell GA7020,GA7020S

Arbeidsmåte: Overflatesliping med normalt sidegrep
Genererte vibrasjoner (a_{h,AG}): 8,5 m/s²
Usikkerhet (K): 1,5 m/s²

Arbeidsmåte: Overflatesliping med
 vibrasjonssikkert sidegrep
 Genererte vibrasjoner ($a_{h,AG}$): 8,0 m/s²
 Usikkerhet (K): 1,5 m/s²

Arbeidsmåte: Sliping med slipeskive
 Genererte vibrasjoner ($a_{h,DS}$): 2,5 m/s²
 Usikkerhet (K): 1,5 m/s²

Modell GA7021

Arbeidsmåte: Overflatesliping med normalt
 sidegrep
 Genererte vibrasjoner ($a_{h,AG}$): 5,0 m/s²
 Usikkerhet (K): 1,5 m/s²

Arbeidsmåte: Overflatesliping med
 vibrasjonssikkert sidegrep
 Genererte vibrasjoner ($a_{h,AG}$): 4,5 m/s²
 Usikkerhet (K): 1,5 m/s²

Arbeidsmåte: Sliping med slipeskive
 Genererte vibrasjoner ($a_{h,DS}$): 2,5 m/s² eller mindre
 Usikkerhet (K): 1,5 m/s²

Modell GA9020,GA9020S

Arbeidsmåte: overflatesliping
 Genererte vibrasjoner ($a_{h,AG}$): 5,5 m/s²
 Usikkerhet (K): 1,5 m/s²

Arbeidsmåte: Sliping med slipeskive
 Genererte vibrasjoner ($a_{h,DS}$): 2,5 m/s² eller mindre
 Usikkerhet (K): 1,5 m/s²

ENG902-1

- Den angitte verdien for de genererte vibrasjonene er blitt målt i samsvar med standardtestmetoden og kan brukes til å sammenlikne et verktøy med et annet.
- Den angitte verdien for de genererte vibrasjonene kan også brukes til en foreløpig vurdering av eksponeringen.
- Den oppgitte verdien for genererte vibrasjoner brukes for hovedbruksområdene for elektroverktøyet. Hvis verktøyet brukes til andre formål, kan verdien for de genererte vibrasjonene være en annen.

⚠ ADVARSEL:

- De genererte vibrasjonene ved faktisk bruk av elektroverktøyet kan avvike fra den oppgitte vibrasjonsverdien, avhengig av hvordan verktøyet brukes.
- Vær påpasselig med å finne sikkerhetstiltak som beskytter operatøren, basert på en oppfatning av risiko under faktiske bruksforhold (på bakgrunn av alle sider ved brukssyklusen, som når verktøyet slås av og når det går på tomgang, i tillegg til oppstarten).

Gjelder bare land i Europa

EF-samsvarserklæring

Makita erklærer at følgende maskin(er):

Maskinbetegnelse:

Vinkelsliper

Modellnr./type: GA7020, GA7020S, GA7021, GA9020, GA9020S

Samsvarer med følgende europeiske direktiver:

2006/42/EC

De er produsert i henhold til følgende standarder eller standardiserte dokumenter:

EN60745

Den tekniske filen i samsvar med 2006/42/EF er tilgjengelig fra:

Makita, Jan-Baptist Vinkstraat 2, 3070, Belgia

31.12.2013



000331

Yasushi Fukaya
 Direktør

Makita, Jan-Baptist Vinkstraat 2, 3070, Belgia

GEA010-1

Generelle advarsler angående sikkerhet for elektroverktøy

⚠ **ADVARSEL** Les alle sikkerhetsadvarslene og alle instruksjonene. Hvis du ikke følger alle advarslene og instruksjonene som er oppført nedenfor, kan det føre til elektriske støt, brann og/eller alvorlige helseskader.

Oppbevar alle advarsler og instruksjoner for senere bruk.

GEB033-7

SIKKERHETSANVISNINGER FOR VINKELSLIPER

Vanlige sikkerhetsadvarsler for sliping, pussing, stålbørsting og kapping :

1. Dette elektriske verktøyet er beregnet for sliping, pussing, stålbørsting og kapping. Les alle sikkerhetsadvarsler, instruksjoner, illustrasjoner og spesifikasjoner som følger med dette elektriske verktøyet. Unnlattelse av å følge alle instruksjoner i oversikten nedenfor, kan føre til elektrisk støt, brann og alvorlige skader.
2. Polering bør ikke utføres med dette verktøyet. Bruk av verktøyet til noe annet enn det det er beregnet for, kan medføre fare og forårsake personskade.
3. Ikke bruk tilbehør som ikke er spesielt beregnet og anbefalt av verktøyproduzenten.

- Selv om tilbehøret kan monteres på elektroverktøyet, er ikke det noen garanti for sikker bruk.
- Angitt hastighet for tilbehøret må være minst like høy som største angitte hastighet på elektroverktøyet.** Tilbehør som kjøres med større hastighet enn det som er angitt, kan gå i stykker og slynges ut.
 - Den ytre diameteren og tykkelsen på tilbehøret må ligge innenfor den angitte kapasiteten for elektroverktøyet.** Tilbehør med feil dimensjoner kan ikke sikres eller kontrolleres fullgodt.
 - Gjenget montering av tilbehør må samsvare med gjengen på sliperen. For tilbehør montert med flenser, må spindelhullet på tilbehøret passe til med diameteren på flensen.** Tilbehør som ikke passer til monteringsystemet elektroverktøyet vil kjøre ut av balanse, vibrere overdrevent og kan føre til tap av kontroll.
 - Ikke bruk skadet tilbehør. Før bruk må du undersøke om tilbehør som slipeskiver har hakk eller sprekker, om bakrondeller har sprekker eller er slitt og om stålbørster har løse eller ødelagte tråder. Hvis det elektriske verktøyet eller tilbehøret mistes, må du undersøke om det har oppstått skade og eventuelt skifte det ut med uskadd tilbehør. Når et tilbehør er undersøkt og montert, skal du plassere deg selv og andre utenfor tilbehørets rotasjonsplan og kjøre verktøyet på maksimal hastighet, uten belastning, i ett minutt.** Skadd tilbehør vil vanligvis gå i stykker i løpet av en slik test.
 - Bruk personlig verneutstyr. Avhengig av bruksområdet, må du bruke visir eller vernebriller. Der det er aktuelt, må du bruke støvmaske, hørselvern, hansker og arbeidsforkle som kan stoppe små slipefragmenter eller deler fra arbeidsstykket.** Øyevernet må kunne stoppe flygende biter som oppstår under ulike operasjoner. Støvmasken eller åndedrettsvernet må kunne filtrere ut partikler som oppstår under arbeidet. Lang tids eksponering for høy lyd kan gi hørselskader.
 - Hold tilskuere på trygg avstand fra arbeidsområdet. Alle som beveger seg inn i arbeidsområdet må bruke personvernustyr.** Fragmenter fra arbeidsstykket eller fra skadet tilbehør kan slynges ut og forårsake skade utenfor det nære arbeidsområdet.
 - Hold maskinen kun i det isolerte håndtaket når skjæreverktøyet kan komme i kontakt med skjulte ledninger eller maskinens egen ledning under arbeidet.** Hvis skjæretilbehøret får kontakt med strømførende ledninger, kan uisolerte metalldele i maskinen bli strømførende og kunne gi brukeren elektrisk stift.

- Plasser ledningen unna det roterende tilbehøret.** Hvis du mister kontrollen, kan ledningen kuttes av eller henge fast og hånden eller armen din kan bli trukket inn til det roterende tilbehøret.
- Ikke legg ned elektroverktøyet før tilbehøret har stoppet helt.** Det roterende tilbehøret kan få feste i overflaten og trekke elektroverktøyet ut av kontroll.
- Ikke kjør elektroverktøyet når du bærer det langs siden.** Utisiktet kontakt med roterende tilbehør kan føre til at det fester i klærne og trekkes inn mot kroppen.
- Rengjør verktøyets luftventiler regelmessig.** Motorens vifte trekker støv inn i verktøyhuset og mye oppsamlet metallstøv kan medføre elektrisk fare.
- Ikke bruk elektroverktøyet nær brennbare materialer.** Gnister kan antenne slike materialer.
- Ikke bruk tilbehør som krever kjølevæske.** Bruk av vann eller andre kjølevæsker kan føre til elektrisk støt.

Tilbakeslag og relaterte advarsler

Tilbakeslag er en plutselig reaksjon på en klemt eller fastsittende skive, bakrondell, børste eller annet tilbehør. Fastklemming forårsaker plutselig stopp av det roterende tilbehøret, noe som i sin tur gjør at det ukontrollerbare elektroverktøyet kastes i motsatt retning av tilbehørets rotasjonsretning ved fastklemmingspunktet.

Hvis for eksempel en slipe-skive klemmes fast i arbeidsstykket, kan kanten på skiven som er fastklemt, grave seg inn i overflaten på materialet og føre til at skiven graver seg ut eller slås ut. Skiven kan enten hoppe mot eller fra operatøren, avhengig av skivens bevegelse i fastklemmingspunktet. Slike forhold kan også føre til brudd i skivene.

Tilbakeslag er et resultat av feil bruk av elektroverktøyet eller feilaktige arbeidsprosedyrer eller arbeidsforhold, og det kan unngås hvis man tar de rette forholdsregler (se nedenfor).

- Hold et godt grep om elektroverktøyet og plasser kroppen og armen slik at du kan motstå tilbakeslagskraften. Bruk alltid hjelpéhåndtak når det følger med, for å få best mulig kontroll over tilbakeslag eller dreiemomentreaksjonen ved oppstart.** Operatøren kan kontrollere dreiemomentreaksjonen eller tilbakeslagskreftene hvis de riktige forholdsreglene tas.
- Ikke plasser hånden nær det roterende tilbehøret.** Tilbehøret kan slå tilbake over hånden.
- Ikke plasser kroppen i det området elektroverktøyet kan slå tilbake i.** Et tilbakeslag vil drive verktøyet tilbake i motsatt retning av skivens retning i fastklemmingspunktet.
- Vær ekstra forsiktig ved arbeid i hjørner, på skarpe kanter og lignende. Unngå å støte eller**

klemme fast tilbehøret. Hjørner, skarpe kanter eller støt har en tendens til å klemme fast det roterende tilbehøret og forårsake tap av kontrollen eller tilbakeslag.

e) **Ikke monter et sagkjedeblad for treskjæring eller et tannet sagblad.** Slike blader forårsaker ofte tilbakeslag og tap av kontroll.

Spesifikke sikkerhetsadvarsler for sliping og kapping :

a) **Bruk bare skiver som er anbefalt for elektroverktøyet.** Skiver som ikke er beregnet for verktøyet, kan ikke sikres godt nok og er utrygge.

b) **Slipeoverflaten til skivene med forsenket nav må monteres under planet til vernet.** En feilmontert skive som stikker gjennom planet for vernet kan ikke tilstrekkelig beskyttes.

c) **Vernet må festes godt til verktøyet og plasseres slik at det gir størst mulig sikkerhet og slik at minst mulig av skiven vender mot brukeren.** Vernet bidrar til å beskytte brukeren mot brukne skivefragmenter og utilsiktet kontakt med skiven og mot gnister som kan antenne klær.

d) **Skiver må bare brukes slik det er anbefalt. For eksempel: Ikke slip med siden av en kappeskive.** Kappeskiver for pussing er bare beregnet for periferisk pussing. Sidekrefter mot disse skivene kan knuse dem.

e) **Bruk alltid uskadete skiveflenser med riktig størrelse og form for skiven du har valgt.** Riktige skiveflenser støtter skiven og reduserer muligheten for skivebrudd. Skiveflenser for kappeskiver kan være forskjellige fra skiveflenser for slipeskiver.

f) **Ikke bruk utslitte skiver fra større elektroverktøy.** Skiver fra større elektroverktøy passer ikke for den høyere hastigheten til mindre verktøy og kan sprekke.

Ekstra sikkerhetsadvarsler for kapping :

a) **Ikke klem fast kappeskiven eller legg sterk press på den. Ikke forsøk å foreta ekstra dype kutt.** Overbelastning av skiven øker belastningen og muligheten for vridning eller fastklemming av skiven i kuttet, noe som kan føre til tilbakeslag eller skivebrudd.

b) **Ikke still deg på linje med eller bak den roterende skiven.** Når skiven beveger seg bort fra deg ved bruksstedet, kan et mulig tilbakeslag drive den roterende skiven og verktøyet rett mot deg.

c) **Når skiven setter seg fast eller når du av en eller annen grunn vil avbryte kappingen, må du slå av verktøyet og holde det stille til skiven har stoppet helt. Du må aldri forsøke å trekke kutteskiven ut av kuttet mens skiven er i bevegelse. Det kan føre til tilbakeslag.** Undersøk hvorfor skiven sitter fast og foreta nødvendige tiltak.

d) **Start ikke kappingen på nytt mens skiven står i arbeidsstykket. La skiven få full hastighet og sett den forsiktig i kuttet.** Skiven kan sette seg fast, gå opp eller slå tilbake hvis verktøyet startes med skiven i arbeidsstykket.

e) **Støtt opp plater og større arbeidsstykker for å redusere faren for at bladet kommer i beknip og slår tilbake.** Store arbeidsstykker har en tendens til å bøye seg under sin egen vekt. Støttene må plasseres under arbeidsstykket på begge sider, nær kuttet og kanten av arbeidsstykket.

f) **Vær ekstra forsiktig når du foretar et innstikk i eksisterende vegger eller andre områder uten innsyn.** Den utstikkende skiven kan kutte gass- eller vannrør, elektriske ledninger eller gjenstander som kan forårsake tilbakeslag.

Spesielle sikkerhetsadvarsler for pussing:

a) **Ikke bruk for stort pussepapir. Følg produsentens anbefalinger når du velger pussepapir.** Stort papir som stikker utenfor pusseputen, kan forårsake oppriving og føre til slitasje eller tilbakeslag på skiven.

Spesielle sikkerhetsadvarsler for stålborsting:

a) **Vær oppmerksom på at metalltråder kan løse fra børsten også ved vanlig bruk. Ikke overbelast metalltrådene ved å legge ekstra trykk på børsten.** Metalltrådene kan lett trenge gjennom tynne klær og hud.

b) **Hvis det anbefales bruk av vern ved stålborsting, må du unngå kontakt mellom stålborsteskviven eller børsten og vernet.** Stålskiver eller børster kan utfide seg på grunn av arbeidsbelastningen og sentrifugalkreftene.

Ekstra sikkerhetsadvarsler:

17. **Når du bruker slipeskiver med forsenket nav, må du passe på bare å bruke glassfiberarmerte skiver.**
18. **BRUK ALDRI denne vinkelsliperen med slipeskiver av typen Stone Cup.** Denne vinkelsliperen er ikke konstruert for denne typen hjul, og bruk av et slikt produkt kan resultere i alvorlige helseskader.
19. **Vær forsiktig så du ikke ødelegger spindelen, flensen (særlig monteringsflaten) eller låsemutteren. Skade på disse delene kan føre til at skiven brekker.**
20. **Forviss deg om at skiven ikke har kontakt med arbeidsstykket før startbryteren er slått på.**
21. **Før du begynner å bruke verktøyet på et arbeidsstykke, bør du la det gå en liten stund. Se etter vibrasjoner eller vingling som kan tyde på at skiven er dårlig balansert.**
22. **Bruk den angitte overflaten av skiven til å utføre sliping.**
23. **Ikke gå fra verktøyet mens det er i gang. Verktøyet må bare brukes mens operatøren holder det i hendene.**

24. Ikke berør arbeidsstykket umiddelbart etter bruk. Det kan være ekstremt varmt og kan gi deg brannskader.
25. Følg produsentens anvisninger for korrekt montering og bruk av skiver. Håndter og oppbevar skivene forsiktig.
26. Ikke bruk separate reduksjonsbøssinger eller adaptere for å tilpasse slipeskiver med store hull.
27. Bruk bare flenser som er spesifisert for denne maskinen.
28. For maskiner som er beregnet på å bli utstyrt med gjengehullsskive, må du forvise deg om at gjengen i hullet er lang nok til å passe til spindellengden.
29. Forviss deg om at arbeidsstykket står støtt.
30. Ta hensyn til at skiven fortsetter å rotere etter at maskinen er slått av.
31. Hvis arbeidsplassen er ekstremt varm og fuktig, eller svært forurenset med elektrisk ledende støv, må du bruke en kortslutningsbryter (30 mA) for å ivareta operatørens sikkerhet.
32. Ikke bruk maskinen på materialer som inneholder asbest.
33. Når du bruker kappeskiven, må du alltid bruke beskyttelseskappen med støvoppsamler, slik lokale bestemmelser krever.
34. Kappeskiver må ikke utsettes for trykk fra siden.

TA VARE PÅ DISSE INSTRUKSENE.

⚠ADVARSEL:

Selv om du har brukt produktet mye og føler deg fortrolig med det, er det likevel svært viktig at du følger nøye de retningslinjene for sikkerhet som er utarbeidet for dette produktet. MISBRUK av verktøyet eller mislighold av sikkerhetsreglene i denne brukerhåndboken kan resultere i alvorlige helseskader.

FUNKSJONS BESKRIVELSE

⚠FORSIKTIG:

- Forviss deg alltid om at maskinen er slått av og støpselet trukket ut av kontakten før du justerer maskinen eller kontrollerer dens mekaniske funksjoner.

Spindellås

Fig.1

⚠FORSIKTIG:

- Du må aldri aktivere spindellåsen mens spindelen beveger seg. Maskinen kan bli ødelagt.

Trykk på spindellåsen for å forhindre spindelrotasjon når du monterer eller fjerner tilbehør.

Bryterfunksjon

⚠FORSIKTIG:

- Før du kobler maskinen til strømmettet, må du alltid kontrollere at startbryteren aktiverer maskinen på riktig måte og går tilbake til "AV"-stilling når den slippes.
- Bryteren kan sperres i "ON"-stilling for å gjøre det lettere for operatøren ved langvarig bruk. Vær forsiktig når du sperrer verktøyet i "ON"-stilling, og hold det godt fast.

Fig.2

For maskiner med PÅ-sperreknapp (ikke tilgjengelig i Europa)

Trykk på startbryteren (i B-retningen) for å starte maskinen. Slipp startbryteren for å stoppe verktøyet. For kontinuerlig drift, må du trykke på startbryteren (i B-retningen) og deretter skyve inn sperrespaken (i A-retningen). Hvis du vil stoppe maskinen mens den er låst i "ON"-stilling, må du trykke startbryteren helt inn (i B-retningen) og så slippe den igjen.

For maskiner med AV-sperreknapp

For å hindre at startbryteren trykkes ved en feiltakelse, har maskinen en sperrespak.

Skyv inn sperrespaken (i A-retningen) og trykk på startbryteren (i B-retningen) for å starte maskinen. Slipp startbryteren for å stoppe verktøyet.

For maskiner med PÅ- og AV-sperreknapp (ikke tilgjengelig i Europa)

For å hindre at startbryteren trykkes ved en feiltakelse, har maskinen en sperrespak.

Skyv inn sperrespaken (i A-retningen) og trykk på startbryteren (i B-retningen) for å starte maskinen. Slipp startbryteren for å stoppe maskinen.

For kontinuerlig drift, må du trykke inn sperrespaken (i A-retningen), trykke på startbryteren (i B-retningen) og så trykke sperrespaken (i A-retningen) lenger inn.

Hvis du vil stoppe verktøyet mens det er sperret, må du trykke startbryteren (i B-retningen) helt inn og slippe den.

MERK:

Modell GA7020S, GA9020S, GA7020SF og GA9020SF begynner å gå langsomt når de slås på. Denne mykstartfunksjonen gir jevnere gange og er mindre slitsom for operatøren.

MONTERING

⚠FORSIKTIG:

- Forviss deg alltid om at maskinen er slått av og støpselet trukket ut av kontakten før du utfører noe arbeid på maskinen.

Montere støttehåndtak (hjelpehåndtak)

Fig.3

⚠FORSIKTIG:

- Forviss deg alltid om at støttehåndtaket er skikkelig montert før du tar maskinen i bruk.

Skru støttehåndtaket godt fast på maskinen i den stillingen som er vist på figuren.

Montere eller demontere beskyttelseskappen (for skive med forsenket nav, flerskive, skivebørste/kappeskive, diamantskive)

⚠ADVARSEL:

- Ved bruk av slipeskive med forsenket nav/multidisk, flex-skive eller stålborste, må beskyttelseskappen settes på verktøyet slik at den lukkede siden av kappen vender mot operatøren.
- Ved bruk av slipende kappeskive/diamantskive må du passe på å bruke bare det spesielle skivevernet som er beregnet på bruk med kappeskiver. (I enkelte europeiske land kan det vanlige vernet brukes ved bruk av diamantskive. Følg lokale forskrifter.)

For verktøy med låseskrue med beskyttelseskappe

Fig.4

Monter beskyttelseskappen slik at fremspringet på kappen ligger overrett med hakket i lagerboksen. Drei deretter beskyttelseskappen til den står i en slik vinkel at den kan beskytte operatøren under den aktuelle arbeidsoperasjonen. Forviss deg om at du har trukket skruen godt til.

Fjern beskyttelseskappen ved å følge installeringsfremgangsmåten i motsatt rekkefølge.

For verktøy med klemmespak med beskyttelseskappe

Fig.5

Fig.6

Løsne spaken på beskyttelseskappen. Monter beskyttelseskappen slik at fremspringet på beskyttelseskappebåndet er innrettet med hakket i lagerboksen. Drei deretter beskyttelseskappen rundt til posisjonen som vises på figuren. Stram spaken for å feste beskyttelseskappen. Hvis spaken er for stram eller

for løs til at beskyttelseskappen kan festes, må du løsne eller stramme mutteren med skiftenøkkel for å justere strammingen av båndet til beskyttelseskappen.

Fjern beskyttelseskappen ved å følge installeringsfremgangsmåten i motsatt rekkefølge.

Installere eller fjerne nedtrykket, sentrert slipeskive / multidisk (tilleggsutstyr)

Fig.7

Monter den indre flensen på spindelen. Sett skiven/disken på den indre flensen og skru låsemutteren på spindelen.

Stram låsemutteren ved å trykke så kraftig på spindellåsen at spindelen ikke kan rotere, og bruk låsemutternøkkelen til å stramme mutteren godt med klokken.

Fig.8

Fjern skiven ved å følge installeringsfremgangsmåten i motsatt rekkefølge.

Superflens

Superflens er standard på modellene GA7020F, GA7020SF, GA9020F og GA9020SF. Låsemutteren kan løsnes med bare 1/3 av den kraften som er nødvendig ved bruk av vanlige flenstyper.

MERK:

- Kun for verktøy med M14 spindelgjenger.

Montere eller fjerne slipeskive (valgfritt tilbehør)

MERK:

- Bruk slipetilbehør spesifisert i denne håndboken. Disse må kjøpes separat.

Fig.9

Monter gummirondellen på spindelen. Sett skiven på gummirondellen og skru låsemutteren på spindelen. Stram låsemutteren ved å trykke så kraftig på spindellåsen at spindelen ikke kan rotere, og bruk låsemutternøkkelen til å stramme mutteren godt med klokken.

Fjern skiven ved å følge installeringsfremgangsmåten i motsatt rekkefølge.

BRUK

⚠ADVARSEL:

- Det burde aldri være nødvendig å bruke makt på maskinen. Vekten av maskinen utøver passende trykk. Maktbruk og for stort trykk kan føre til farlig brudd i skiven.
- Skiven må ALLTID skiftes hvis maskinen mistes under sliping.

- ALDRI dunk eller slå slipeskiven mot arbeidsstykket.
- Unngå at skiven hopper eller setter seg fast, særlig ved sliping av hjørner, skarpe kanter osv. Dette kan føre til at du mister kontrollen, og at maskinen slår tilbake mot deg.
- Maskinen må ALDRI brukes med skjæreblader for tre eller andre sagblader. Hvis slike blader brukes på en slipemaskin, kan de ofte føre til slag fra maskinen, slik at operatøren mister kontrollen og blir skadet.

⚠FORSIKTIG:

- Maskinen må aldri slås på mens den er i berøring med arbeidsstykket, da dette kan skade operatøren.
- Bruk alltid vernebriller eller ansiktsmaske ved arbeid med maskinen.
- Når du er ferdig å bruke maskinen må du alltid slå den av og vente til skiven har stoppet helt før du setter maskinen ned.

Sliping og pussing

Maskinen må ALLTID holdes i fast grep med en hånd på det bakre håndtaket og den andre på støttehåndtaket. Slå på maskinen og sett så skiven i berøring med arbeidsstykket.

Generelt skal kanten av skiven holdes i en vinkel på omtrent 15 grader mot overflaten av arbeidsstykket.

I innkjøringsperioden for en ny skive må slipemaskinen ikke brukes i B-retning, da dette vil føre til at den skjærer inn i arbeidsstykket. Så snart kanten av skiven er rundet av etter å være brukt litt, kan den brukes i både A- og B-retning.

Fig.10

Bruke sirkulær stålbørste (valgfritt tilbehør)

⚠FORSIKTIG:

- Kontroller driften av børsten ved å kjøre verktøyet uten belastning, og forsikre deg om at ingen er foran eller ved siden av børsten.
- Ikke bruk en børste som er skadet, eller som ikke er balansert. Hvis du bruker en skadet børste, kan dette øke faren for personskade ved kontakt med ødelagte børstetråder.

Fig.11

Plugg fra verktøyet og legg det opp-ned slik at du får enkel tilgang til spindelen. Demonter alt tilbehør fra spindelen. Monter den sirkulære stålbørsten på spindelen og trekk til med den medfølgende nøkkelen. Når du bruker børsten, må du unngå å bruke for mye trykk, som fører til at trådene bøyes for mye, og børsten får redusert levetid.

Bruke skivebørste (valgfritt tilbehør)

⚠FORSIKTIG:

- Kontroller driften av skivebørsten ved å kjøre verktøyet uten belastning, og forsikre deg om at ingen er foran eller ved siden av skivebørsten.
- Ikke bruk en skivebørste som er skadet, eller som ikke er balansert. Hvis du bruker en skadet skivebørste, kan dette øke faren for personskade ved kontakt med ødelagte børstetråder.
- Bruk ALLTID beskyttelseskappen med skivebørster, og pass på at skivens diameter passer inne i beskyttelseskappen. Skiven kan splintres under bruk. Beskyttelseskappen bidrar til å hindre personskader.

Fig.12

Plugg fra verktøyet og legg det opp-ned slik at du får enkelt tilgang til spindelen. Demonter alt tilbehør fra spindelen. Skru skivebørsten på spindelen og stram med nøklene.

Når du bruker skivebørsten, må du unngå å må du unngå å bruke for mye trykk, som fører til at trådene bøyes for mye, og børsten får redusert levetid.

Bruke kappeskive/diamantskive (valgfritt tilbehør)

⚠ADVARSEL:

- Ved bruk av slipende kappeskive/diamantskive må du passe på å bruke bare det spesielle skivevernet som er beregnet på bruk med kappeskiver. (I enkelte europeiske land kan det vanlige vernet brukes ved bruk av diamantskive. Følg lokale forskrifter.)
- IKKE bruk kappeskiver til sideveis sliping.
- Ikke klem fast skiven eller legg sterk press på den. Ikke foreta ekstra dype kutt. For mye press på skiven øker belastningen og muligheten for vridning eller fastklemming av skiven i kuttet, noe som kan føre til tilbakeslag, skivebrudd og overoppheting av motoren.
- Ikke start kappingen på nytt mens skiven står i arbeidsstykket. La skiven få full hastighet og sett den forsiktig i kuttet samtidig som du beveger verktøyet fremover over overflaten av arbeidsstykket. Skiven kan sette seg fast, vandre opp eller slå tilbake hvis verktøyet startes med skiven i arbeidsstykket.
- Ikke endre vinkel på skiven under bruk. Legger du sideveis press på kappeskiven (som ved pussing), kan det føre til at skiven sprekker og brytes i stykker, noe som kan føre til alvorlig personskade.
- En diamantskive skal brukes vinkelrett på materialet som kuttes.

Monter den indre flensen på spindelen. Sett skiven/disken på den indre flensen og skru låsemutteren på spindelen.

Fig.13

For Australia og New Zealand

Montere eller fjerne kappeskive/diamantskive (valgfritt tilbehør)

Fig.14

VEDLIKEHOLD

⚠FORSIKTIG:

- Forviss deg alltid om at maskinen er slått av og støpselet trukket ut av kontakten før du foretar inspeksjon eller vedlikehold.
- Aldri bruk gasolin, bensin, tynner alkohol eller lignende. Det kan føre til misfarging, deformering eller sprekkdannelse.

Maskinen og dens lufteråpninger må holdes rene. Rengjør maskinens lufteråpninger med jevne mellomrom eller når åpningene begynner å tettes.

Fig.15

Skifte kullbørster

Fig.16

Når den isolerende harpiksspissen inne i kullbørsten er eksponert for kontakt med kommutatoren, vil den automatisk slå av motoren. Når dette skjer, må begge kullbørstene skiftes. Hold kullbørstene rene og fri til å bevege seg i holderne. Begge kullbørstene må skiftes samtidig. Bruk bare identiske kullbørster.

Bruk en skrutrekker til å fjerne børsteholderhettene. Ta ut de slitte kullbørstene, sett i nye, og fest børsteholderhettene.

Fig.17

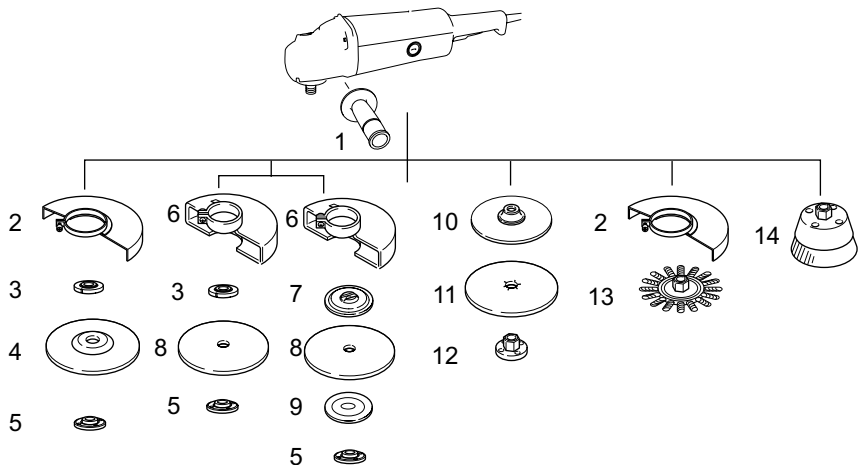
For å opprettholde produktets SIKKERHET og PÅLITELIGHET, må reparasjoner, vedlikehold og justeringer utføres av Makitas autoriserte servicesentre, og det må alltid brukes reservedeler fra Makita.

VALGFRITT TILBEHØR

⚠FORSIKTIG:

- Det anbefales at du bruker dette tilbehøret eller verktøyet sammen med den Makita-maskinen som er spesifisert i denne håndboken. Bruk av annet tilbehør eller verktøy kan forårsake helseskader. Tilbehør og verktøy må kun brukes til det formålet det er beregnet på.

Ta kontakt med ditt lokale Makita-servicesenter hvis du trenger mer informasjon om dette tilbehøret.



1	Støttehåndtak
2	Beskyttelseskappe for slipeskive/multiskive/skivebørste med nedtrykt senter
3	Indre flens / superflens *1*2
4	Slipeskive med forsenket navn/multidisk
5	Låsemutter/Ezynut *1*2
6	Beskyttelseskappe for kappeskive/diamantskive *3
7	Indre flens 78 (kun for Australia og New Zealand) *4
8	Kappeskive/diamantskive
9	Ytre flens 78 (kun Australia og New Zealand) *4
10	Gummironde
11	Slipeskive
12	Låsemutter for pussing
13	Skivebørste
14	Sirkulær stålbørste
—	Låsemutternøkkel
—	Feste for støvdeksel

*1 Kun for verktøy med M14 spindelgjenger.

*2 Ikke bruk superflens og Ezynut sammen.

*3 I enkelte europeiske land kan du, ved bruk av diamantskive, bruke det vanlige vernet i stedet for spesialvernet som dekker begge sider av skiven. Følg lokale forskrifter.

*4 Bruk indre flens 78 og ytre flens 78 sammen. (kun Australia og New Zealand)

013353

MERK:

- Enkelte elementer i listen kan være inkludert som standardtilbehør i verktøypakken. Elementene kan variere fra land til land.

Yleisselostus

1-1. Karalukitus	7-3. Superlaippa	14-1. Lukkomutteri
2-1. Liipaisinkytkin	7-4. Sisälaippa	14-2. Ulkolaippa 78
2-2. Lukitusvipu	8-1. Lukkomutteriavain	14-3. Hiova katkaisulaikka/timanttilaikka
4-1. Laikan suojus	8-2. Karalukitus	14-4. Sisälaippa 78
4-2. Ruuvi	9-1. Lukkomutteri	14-5. Hiovan katkaisulaikan/ timanttilaikan suojus
4-3. Vaihdekotelo	9-2. Hiomalaikka	15-1. Poistoaukko
5-1. Laikan suojus	9-3. Kumityyny	15-2. Ilman tuloaukko
5-2. Vaihdekotelo	11-1. Teräskuppiharja	16-1. Kommutaattori
5-3. Mutteri	12-1. Teräsharjalaikka	16-2. Eristekärki
5-4. Vipu	13-1. Lukkomutteri	16-3. Hiiliharja
6-1. Mutteri	13-2. Hiova katkaisulaikka/timanttilaikka	17-1. Harjanpitimen kansi
6-2. Vipu	13-3. Sisälaippa	17-2. Ruuvitalta
7-1. Lukkomutteri	13-4. Hiovan katkaisulaikan/ timanttilaikan suojus	
7-2. Keskeltä ohennettu laikka		

TEKNISET TIEDOT

Malli	GA7020	GA7020S	GA7021	GA9020	GA9020S
Keskeltä ohennetun laikan halkaisija	180 mm		180 mm	230 mm	
Laikan enimmäispaksuus	6,5 mm	6,5 mm	6,5 mm	6,5 mm	6,5 mm
Karan kierre	M14 tai 5/8" (maakohtainen)		M14 tai 5/8" (maakohtainen)	M14 tai 5/8" (maakohtainen)	
Nimellisa nopeus (n) / nopeus kuormittamattomana (n ₀)	8 500 min ⁻¹		6 600 min ⁻¹	6 600 min ⁻¹	
Kokonaispituus	473 mm		473 mm	473 mm	
Nettopaino	5,5 kg	5,7 kg	5,5 kg	5,8 kg	5,9 kg
Turvaluokitus	II/II				

- Jatkuvan tutkimus- ja kehitysohjelman vuoksi pidämme oikeuden muuttaa tässä mainittuja teknisiä ominaisuuksia ilman ennakkoilmoitusta.
- Tekniset ominaisuudet saattavat vaihdella eri maissa.
- Paino EPTA-menetelmän 01/2003 mukaan

ENE048-1

ENG905-1

Käyttötarkoitus

Työkalu on tarkoitettu metallin ja kiven hiomiseen ja leikkaamiseen ilman vettä.

ENF002-2

Virtalähde

Laitteen saa kytkeä vain sellaiseen virtalähteeseen, jonka jännite on sama kuin arvokilvessä ilmoitettu, ja sitä saa käyttää ainoastaan yksivaiheisella vaihtovirralla. Laite on kaksinkertaisesti suojaeristetty, ja se voidaan siten kytkeä myös maadoittamattomaan pistorasiaan.

ENF100-1

220 ja 250 voltin matalajännitteiset jakeluverkot.

Sähkölaitteiden käynnistyminen ja sammutus aiheuttavat jännitevaihteluja. Tämän laitteen käyttö epävakaa verkossa saattaa haitata muiden laitteiden toimintaa. Haittavaikutuksia ei ole odotettavissa, jos verkon impedanssi on enintään 0,27 ohmia. Verkkopistokkeessa, johon tämä laite kytketään, on oltava sulake tai hidas vikavirtasuojus.

Melutaso

Tyypillinen A-painotettu melutaso määräytyy EN60745-standardin mukaan:

Äänenpainetaso (L_{PA}): 89 dB (A)
 Äänitehotaaso (L_{WA}): 100 dB (A)
 Virhemarginaali (K): 3 dB (A)

Käytä kuulosuojaimia

ENG900-1

Tärinä

Värähtelyn kokonaisarvo (kolmiakselivektorin summa) on määritelty EN60745mukaan:

Malli GA7020,GA7020S

Työtila : pintahionta tavallista sivukahvaa käyttäen
 Tärinäpäästö (a_{n,AG}): 8,5 m/s²
 Virhemarginaali (K): 1,5 m/s²

Työtila : pintahionta tärinävarmennettua sivukahvaa käyttäen
Tärinäpäästö ($a_{h,AG}$): 8,0 m/s²
Virhemarginaali (K): 1,5 m/s²

Työmenetelmä: laikkahionta
Tärinäpäästö ($a_{h,DS}$): 2,5 m/s²
Virhemarginaali (K): 1,5 m/s²

Malli GA7021

Työtila : pintahionta tavallista sivukahvaa käyttäen
Tärinäpäästö ($a_{h,AG}$): 5,0 m/s²
Virhemarginaali (K): 1,5 m/s²

Työtila : pintahionta tärinävarmennettua sivukahvaa käyttäen
Tärinäpäästö ($a_{h,AG}$): 4,5 m/s²
Virhemarginaali (K): 1,5 m/s²

Työmenetelmä: laikkahionta
Tärinäpäästö ($a_{h,DS}$): 2,5 m/s² tai vähemmän
Virhemarginaali (K): 1,5 m/s²

Malli GA9020,GA9020S

Työtila: pinnan hionta
Tärinäpäästö ($a_{h,AG}$): 5,5 m/s²
Virhemarginaali (K): 1,5 m/s²

Työmenetelmä: laikkahionta
Tärinäpäästö ($a_{h,DS}$): 2,5 m/s² tai vähemmän
Virhemarginaali (K): 1,5 m/s²

Koskee vain Euroopan maita

VAKUUTUS EC-VASTAAVUUDESTA

Makita ilmoittaa, että seuraava(t) kone(et)

Koneen tunnistetiedot:

Kulmahiomakone

Mallinro/tyyppi: GA7020, GA7020S, GA7021, GA9020, GA9020S

Täyttävät seuraavien eurooppalaisten direktiivien vaatimukset:

2006/42/EC

On valmistettu seuraavien standardien tai standardoitujen asiakirjojen mukaisesti:

EN60745

Direktiivin 2006/42/EY mukaiset tekniset tiedot ovat saatavissa seuraavasta osoitteesta:

Makita, Jan-Baptist Vinkstraat 2, 3070, Belgium

31.12.2013



000331

Yasushi Fukaya

Johtaja

Makita, Jan-Baptist Vinkstraat 2, 3070, Belgium

GEA010-1

Sähkötyökalujen käyttöä koskevat varoitukset

⚠ VAROITUS Lue kaikki turvallisuusvaroitukset ja käyttöohjeet. Varoitusten ja ohjeiden noudattamatta jättäminen voi johtaa sähköiskuun, tulipaloon ja/tai vakavaan vammautumiseen.

Säilytä varoitukset ja ohjeet tulevaa käyttöä varten.

GEB033-7

HIOMAKONEEN TURVALLISUUSOHJEET

Hiontaa, hiekkapaperihiontaa, harjausta ja katkaisua koskevat yleiset varoitukset:

1. Tätä sähkötyökalua voidaan käyttää hiomakoneena, hiekkapaperihiomakoneena, teräsharjana ja katkaisulaiteena. Tutustu kaikkiin työkalun mukana toimitettuihin varoituksiin, ohjeisiin, kuviin ja teknisiin tietoihin. Jos ohjeiden noudattaminen laiminlyödään, seurauksena voi olla sähköisku, tulipalo ja/tai vakava vammautuminen.
2. Älä käytä työkalua kiillottamiseen. Jos työkalua käytetään muuhun kuin aiottuun tarkoitukseen, seurauksena voi olla vaaratilanteita ja vammautumisriski.

⚠VAROITUS:

- Työkalun käytön aikana mitattu todellinen tärinäpäästöarvo voi poiketa ilmoitetusta tärinäpäästöarvosta työkalun käyttötavan mukaan.
- Selvitä käyttäjän suojaamiseksi tarvittavat varoitimet todellisissa käyttöolosuhteissa tapahtuvan arvioidun altistumisen mukaisesti (ottaen huomioon käyttöjaksokoonaaisuudessaan, myös jaksot, joiden aikana työkalu on sammutettuna tai käy tyhjäkäynnillä).

ENG902-1

3. **Älä käytä sellaisia lisävarusteita, jotka eivät ole nimenomaan valmistajan suunnittelema tai suosittelemat.** Vain, koska lisävaruste voidaan liittää tehokoneeseen, se ei varmista turvallista toimintaa.
4. **Lisävarusteen määrätyn nopeuden täytyy olla ainakin samanvertainen tehokoneessa osoitetun enimmäisnopeuden kanssa.** Sellaiset lisävarusteet, jotka menevät nopeammin, kuin määrätty nopeus, voivat rikkoutua ja lentää palasiksi.
5. **Lisävarusteeksi ulkohalkaisijan ja paksuuden on oltava tehokoneesi kapasiteettimittauksen kantaman sisällä.** Väärin mitoitettuja lisävarusteita ei voida sopivasti vartioita tai ohjata.
6. **Lisävarusteiden kierteitetyn asennuskiinnityksen on vastattava hiomakoneen karan kierteitä.** Laippa-asennettävien lisävarusteiden asennuseiän on vastattava kohdistuslaipan halkaisijaa. Jos lisävaruste ei sovi sähkötyökalun asennusvarustukseen, sähkötyökalu ei ole tasapainossa. Se voi täräistä voimakkaasti, mikä voi aiheuttaa työkalun hallinnan menetyksen.
7. **Älä käytä viallisia lisävarusteita.** Ennen jokaista käyttökertaa tarkista, että hiomalaikassa ei ole lohkeamia tai halkeamia, tyynyissä ei ole halkeamia tai merkkejä liiallisesta kulumisesta ja että teräharjan harjakset eivät ole irti tai halkeilleet. Jos työkalu tai lisävaruste pääsee putoamaan, tarkista sen kunto tai vaihda varuste ehjään. Lisävarusteen tarkastuksen ja asennuksen jälkeen asetu niin, että sinä eivätkä mahdolliset sivulliset ole pyöriävän lisävarusteen tasossa ja käytä laitetta suurimmalla sallitulla joutokäyntinopeudella yhden minuutin ajan. Viallinen lisävaruste yleensä hajoaa tässä kokeessa.
8. **Käytä suojarusteita.** Käytä käyttötarkoituksen mukaisesti kasvosuojusta, suojalaseja tai sivusuojilla varustettuja lasseja. Käytä tarvittaessa hengityssuojainta, kuulosuojaimia, hansikkaita ja työessua, joka suojaa pieniltä pirstaleilta. Suojalasien täytyy suojata kaikenlaisista töistä aiheutuvilta lentäviltä pirstaleilta. Hengityssuojaimen täytyy suodattaa työskentelyn tuottamat hiukkaset. Pitkäaikainen altistuminen voimakkaalle melulle voi vahingoittaa kuuloa.
9. **Pidä sivustakatsojat turvallisen välimatkan päässä työalueelta.** Kaikkien työalueelle astuvien henkilöiden on käytettävä henkilökohtaista suojaruustetta. Työkappaleen tai rikkoutuneen lisävarusteen pirstaleet voivat aiheuttaa vammautumisen välittömästi toiminta-alueen ulkopuolella.
10. **Jos on mahdollista, että työkalun terä osuu piilossa oleviin johtoihin tai koneen omaan virtajohtoon, pidä leikatessasi kiinni työkalusta sen eristetyistä tartuntapinnoista.**

- Jos laikka osuu virralliseen johtoon, työkalun sähköä johtavat metalliosat voivat aiheuttaa käyttäjälle sähköiskun.
11. **Aseta johto varmaan paikkaan pyöriävästä lisävarusteesta.** Jos menetät hallintakykyä, johto voi katketa tai repeytyä ja kätesi voi joutua pyöriivään lisävarusteeseen.
 12. **Älä koskaan laita tehokoneita alas, ennen kuin lisävaruste on täysin pysähtynyt.** Pyöriivä lisävaruste voi tarrata pintaan ja vetää tehokoneen ohjaus käsistäsi.
 13. **Älä anna tehokoneen mennä sillä välin, kun kannat sitä sivullasi.** Vahingossa aiheutuva lisävarusteen pyöriminen voi repiä vaatteesi, vetäen lisävarusteen kehoosi.
 14. **Puhdista työkalun ilma-aukot säännöllisesti.** Moottorin tuuletin imee pölyä koteloon, ja metallijauheen kerääntyminen laitteeseen voi aiheuttaa sähköiskuvaaran.
 15. **Älä käytä tehokoneita tulenarkojen materiaalien lähellä.** Kipinät voivat sytyttää nämä materiaalit.
 16. **Älä käytä sellaisia lisävarusteita, jotka vaativat jäähdytysnestettä.** Jos käytät vettä tai muuta jäähdytysnestettä, se voi aiheuttaa sähkötapaturman tai -iskun.

Takapotku ja siihen liittyvät varoitukset

Takapotku on kiinni juuttuneen laikan, tyynyn, harjan tai muun lisävarusteen aiheuttama äkillinen sysäys. Kiinni juuttuminen tai takertelu aiheuttaa sen, että pyöriivä lisävaruste pysähtyy, mikä puolestaan alkaa työntää laitetta hallitsemattomasi pyörimisliikkeelle vastakkaiseen suuntaan.

Jos esimerkiksi hiomalaikka juuttuu työkappaleeseen, juuttumiskohtaan pureutumassa oleva laikka voi tunkeutua kappaleen pintaan, jolloin se kiipeeä ylös tai potkaisee taaksepäin. Laikka voi hypätä joko käyttäjää kohti tai pois päin sen mukaan, mihin suuntaan laikka oli siirtymässä juuttumiskohtadassa. Hiomalaikka voi tällöin rikkoutua.

Takapotku johtuu laitteen virheellisestä käytöstä ja/tai käyttötavasta tai olosuhteista. Takapotku voidaan välttää seuraavien varotoimien avulla.

- a) **Pidä yllä vahva pito tehokoneessa ja aseta kehosi ja käsivartesi siten, että voit vastustaa takapotkun voimaa.** Käytä aina apukahvaa, jos annettu mukana, takapotkujen tai vääntömomentin maksimi hallinnon vuoksi käynnistyksen aikana. Käyttäjä voi hallita vääntömomentin reaktioita tai takapotkun voimaa, jos noudattaa sopivia varotoimenpiteitä.
- b) **Älä koskaan aseta kättäsi pyöriivän lisävarusteen lähelle.** Lisävaruste saattaa takapotkaista kätesi ylitse.
- c) **Asetu niin, että et jää laitteen tielle takapotkun sattuessa.** Takapotku heittää laitetta päinvastaiseen suuntaan kuin mihin laikka pyörii.

d) Sovella erityistä huolta, kun teet kulumia, teräviä reunoja, jne. Vältä lisävarusteen ponnahtamista tai repeytymistä. Kulmilla, terävillä reunoilla tai ponnahtamisella on tapana repeistä pyörivää lisävarustetta ja aiheuttaa hallinnan menettämisen tai takapotkun.

e) Älä käytä tässä työkalussa puun sahaamiseen tarkoitettua ketjuterää tai hammastettua terää. Sellaisten terien käyttäminen johtaa jatkuviin takapotkuihin ja hallinnan menettämiseen.

Hiontaa ja katkaisua koskevat erityiset varoitukset:

a) Käytä vain laitteeseen tarkoitettuja laikkatyyppejä ja kyseiselle laikalle tarkoitettua erikois-suojaa. Muita kuin laitteeseen nimenomaan tarkoitettuja laikkoja ei voida suojata kunnolla, ja siten ne eivät ole turvallisia.

b) Napasyvennettyjen laikkojen hiomapinna on oltava suojaareunan tason alapuolella. Väärin asennettua laikkaa, joka työntyy suojaareunan tason läpi, ei ole asianmukaisesti suojattu.

c) Suoja on kiinnitettävä laitteeseen tukevasti turvalliseen asentoon niin, että mahdollisimman pieni osa laikasta näkyy käyttäjää kohti. Suoja suojaaa käyttäjää rikkoutuneen laikan palasilta ja kipinöiltä, jotka voisivat syyttää vaatteet palamaan, sekä estää koskettamasta laikkaa vahingossa.

d) Laikkoja saa käyttää vain suositeltuihin käyttötarkoituksiin. Esimerkiksi: älä yritä hioa kappaleita katkaisulaikan sivulla. Katkaisulaikkaa käytettäessä hionta tapahtuu vain laikan kehällä. Sivuttaisvoimat voivat rikkoa laikan.

e) Käytä aina ehjiä ja oikean kokoisia laikkalaippoja, joiden muoto vastaa valittua laikkaa. Oikeantyyppiset laikkalaipat tukevat laikkaa ja pienentävät näin laikan rikkoutumisriskiä. Katkaisulaikkoihin tarkoitetut laipat voivat olla erilaisia kuin hiomalaikkojen laipat.

f) Älä käytä isommista sähkötyökaluista otettuja kuluneita laikkoja. Isoihin sähkötyökaluihin tarkoitetut laikat eivät sovi suuremmalla nopeudella toimiviin pienempiin työkaluihin ja voivat siksi hajota.

Katkaisua koskevat lisävaroitukset:

a) Älä anna katkaisulaikan ”jumittua” äläkä paina laitetta liian voimakkaasti. Älä yritä tehdä liian syvää uraa. Laikan liika painaminen lisää kuormitusta ja laikan vääntymis- tai juuttumisriskiä, jolloin seurauksena voi olla takapotku tai laikan rikkoutuminen.

b) Älä asetu samaan linjaan pyörivän laikan taakse. Kun laikka käytettäessä liikkuu käyttäjästä poispäin, mahdollinen takapotku voi syyttää pyörivän laikan ja työkalun suoraan käyttäjää kohti.

c) Kun laikka takertele tai kun työ joudutaan jostakin syyistä keskeyttämään, katkaise laitteesta virta ja pidä sitä paikoillaan liikkumatta, kunnes laikka on täysin pysähtynyt.

Älä koskaan yritä irrottaa laikkaa urasta, kun laikka vielä pyörii, koska seurauksena voi olla takapotku. Selvitä laikan takertelun syy ja tee tarvittavat korjaavat toimenpiteet.

d) Älä käynnistä laitetta niin, että se on kiinni työkappaleessa. Anna laikan savuttaa täysi pyörimisnopeus ja työnnä laikka sitten varovasti leikkuu-urään. Jos laite käynnistetään niin, että se on kiinni työkappaleessa, laikka voi takertua, työntyä taaksepäin tai ponnahtaa ylös.

e) Vähennä laikan takertelu- ja takapotkuriskiä tukemalla paneelit ja ylisuuret työkappaleet huolellisesti. Isot työkappaleet pyrkivät taipumaan omasta painostaan. Levy on tuettava molemmilta puolilta sekä leikkulinjan vierestä että reunoilta.

f) Ole erityisen varovainen, kun leikkaat ”taskuja” valmiisiin seiniiin tai muihin umpinaisiin rakenteisiin. Laikka voi katkaista kaasu- tai vesiputkia tai sähköjohtaja tai osua takapotkun aiheuttaviin esteisiin.

Hiekkapaperihiontaa koskevat erikoismääräykset:

a) Älä käytä yliokoisia hiomalaikkapaperia. Noudata hiekkapaperin valinnassa valmistajan suosituksia. Hiomatynyn ulkopuolella ulottuva hiekkapaperi voi revetä ja aiheuttaa takertelua, laikkavaurioita tai takapotkun.

Teräsharjausta koskevat erityiset varoitukset:

a) Ota huomioon, että harjaksia irtoaa harjasta myös normaalikäytössä. Älä kuormita harjaksia turhaan painamalla liian voimakkaasti. Harjakset voivat helposti tunkeutua vaateiden ja/tai ihon läpi.

b) Jos harjuksessa suositellaan käytettäväksi suojusta, älä anna harjauslaikan tai harjan ottaa suojukseen. Harjauslaikan tai harjan halkaisija voi kasvaa kuormituksen ja keskipakoisvoiman vaikutuksesta.

Turvallisuutta koskevat lisävaroitukset:

17. Jos käytät hiomalaikkaa, jossa on upotettu keskiö, varmista, että laikka on lasikuituvahvisteinen.

18. ÄLÄ KOSKAAN käytä tässä hiomakoneessa kiven hiontaan tarkoitettuja kuppilaitteita. Hiomakonetta ei ole suunniteltu tämäntyyppisten laikkojen käyttöön. Vääräntyyppisten laikkojen käyttö voi aiheuttaa vakavan henkilövahingon.

19. Varo, ettet vahingoita karaa, laippaa (erityisesti asennuspintaa) tai lukkomutteria. Näiden varaosien vahingoittuminen voi aiheuttaa pyörän rikkoutumisen.

20. Varmista, että laikka ei kosketa työkappaleeseen, ennen kuin virta on kytketty päälle kytkimestä.

21. Ennen kuin käytät työkalua nimenomaiseen työkappaleeseen, anna sen juosta jonkin aikaa. Varo, ettei se värähtele tai tärisy, joka voi on merkki siitä, että laikka on huonosti asennettu tai tasapainoitettu.

22. Käytä hiontaan siihen tarkoitettua laikan pintaa.
23. Älä jätä konetta käymään itsekseen. Käytä laitetta vain silloin, kun pidät sitä kädessä.
24. Älä kosketa työkalua heti käytön jälkeen, sillä se saattaa olla erittäin kuuma ja polttaa ihoa.
25. Noudata valmistajan antamia ohjeita laikkojen oikeasta asennuksesta ja käytöstä. Käsittele laikkoja varoen ja säilytä niitä turvallisessa paikassa.
26. Älä käytä erillisiä supistusholkkeja tai soveltuvia isoaikkoisten hiomalaikkojen kiinnitykseen.
27. Käytä ainoastaan tälle työkalulle tarkoitettuja laippoja.
28. Kun käytät kierreleillä varustetuille laikoille tarkoitettua työkalua, varmista, että laikan kierret vastavat pituudeltaan a.
29. Varmista, että työkalu on tukevasti paikoillaan.
30. Ota huomioon, että laikka jatkaa pyörimistään vielä sen jälkeen, kun virta on katkaistu.
31. Jos työtila on erittäin kuumin ja kostea tai siinä esiintyy runsaasti sähköä johtavaa pölyä, varmista turvallisuus käyttämällä vikavirtakatkaisinta (30 mA).
32. Älä hio tai leikkaa työkalulla mitään asbestia sisältäviä materiaaleja.
33. Käytä aina paikallisten määräysten edellyttämää pölyä keräävää laikansuojusta.
34. Katkaisulaikkaa ei saa painaa sivusuunnassa.

SÄILYTÄ NÄMÄ OHJEET.

⚠VAROITUS:

ÄLÄ anna työkalun helppokäyttöisyyden tai toistuvan käytön tuudittaa sinua väärään turvallisuuden tunteeseen niin, että laiminlyöt työkalun turvaohjeiden noudattamisen. **VÄÄRINKÄYTTÖ** tai tämän käyttöohjeen turvamääräysten laiminlyönti voi johtaa vakaviin henkilövahinkoihin.

TOIMINTOJEN KUVAUS

⚠HUOMIO:

- Varmista aina ennen koneen säätöjen ja toiminnallisten tarkistusten tekemistä, että kone on sammutettu ja irrotettu pistorasiasta.

lukitus

Kuva1

⚠HUOMIO:

- Älä koskaan kytke lukkoa päälle n pyöriessä. Työkalu voi rikkoutua.

Kun kiinnität tai irrotat lisälaitteita, estä a pyörimästä painamalla lukitusta.

Kytkimen käyttäminen

⚠HUOMIO:

- Tarkista aina ennen työkalun liittämistä virtalähteeseen, että liipaisinkytkin kytkeytyy oikein ja palaa asentoon OFF, kun se vapautetaan.
- Kytkimen voi lukita "ON" asentoon, jotta pitkäaikainen käyttö helpottuisi käyttäjälle. Ole varovainen, kun lukitset työkalun "ON" asentoon ja pidä työkalusta luja ote.

Kuva2

Lukituskytkimellä varustetut työkalut (ei saatavilla Euroopassa)

Käynnistä työkalu painamalla liipaisinkytkintä (suuntaan B). Laite pysäytetään vapauttamalla liipaisinkytkin. Jos haluat työkalun käyvän jatkuvasti, paina ensin liipaisinkytkin pohjaan (suuntaan B) ja paina sitten lukitusvipu sisään (suuntaan A). Lukittu työkalu pysäytetään painamalla liipaisinkytkin ensin täysin pohjaan (suuntaan B) ja sitten vapauttamalla se.

Käynnistyksen estokytkin

Työkalussa on lukitusvipu, joka estää kytkinvivun vetämisen vahingossa.

Käynnistä työkalun painamalla lukitusvipua (suuntaan A) ja sitten vetämällä liipaisinkytkintä (suuntaan B). Laite pysäytetään vapauttamalla liipaisinkytkin.

Lukituskytkimellä ja käynnistyksen estokytkimellä varustetut työkalut (ei saatavilla Euroopassa)

Työkalussa on lukitusvipu, joka estää liipaisinkytkimen vetämisen vahingossa.

Käynnistä työkalun painamalla lukitusvipua (suuntaan A) ja sitten vetämällä liipaisinkytkintä (suuntaan B). Pysäytä työkalun vapauttamalla liipaisinkytkin.

Jos haluat työkalun käyvän jatkuvasti, paina lukitusvipua sisään (suuntaan A), vedä laukaisukytkintä (suuntaan B) ja sitten työnnä lukitusvipua (suuntaan A) vielä sisään.

Lukittu työkalu pysäytetään vetämällä liipaisinkytkintä täysin (suuntaan B), ja sitten vapauttamalla se.

HUOMAUTUS:

Mallit GA7020S, GA9020S, GA7020SF ja GA9020SF pyörivät aluksi hitaasti käynnistyksen jälkeen. Pehmeä

käynnistys takaa jouhevan työskentelyn ja vähentää käyttäjänsä kohdistuvaa risustoa.

KOKOONPANO

△HUOMIO:

- Varmista aina ennen koneelle tehtäviä toimenpiteitä, että kone on sammutettu ja irrotettu pistorasiasta.

Sivukahvan asentaminen (kahva)

Kuva3

△HUOMIO:

- Varmista aina ennen käyttöä, että sivukahva on tukevasti paikoillaan.

Kiinnitä sivukahva koneeseen kuvan osoittamalla tavalla.

Laikan suojuksen kiinnittäminen ja irrottaminen (upotetulla navalla varustettu laikka, monilaikka, teräsharjalaikka/hiova katkaisulaikka, timanttilaikka)

△VAROITUS:

- Jos käytössä on upotetulla navalla varustettu hiomalaikka/monilaikka, joustava laikka tai teräsharjalaikka, laikan suojuksen kiinnitettävä työkaluun niin, että suojuksen umpinainen puoli tulee aina käyttäjää kohti.
- Varmista hiovaa katkaisulaikkaa / timanttilaikkaa käyttäessäsi, että käytät ainoastaan katkaisulaikkojen kanssa käytettäväksi tarkoitettua erikoislaikansuojusta. (Joissakin Euroopan maissa voidaan käyttää timanttilaikan kanssa tavallista suojusta. Noudata omassa maassasi voimassa olevia määräyksiä.)

Lukitusruuvi-tyyppisillä laikkasuojuksilla varustetulle työkalulle

Kuva4

Kiinnitä laikan suojuksen kiinnityspannan uloke laakeriketolon loven kohdalle. Käännä laikan suojuksen sellaiseen asentoon, jossa se suojaa käyttäjää työn vaatimusten mukaisesti. Kiristä ruuvit huolellisesti.

Irrota laikan suojuksen päinvastaisessa järjestyksessä.

Kiristysruuvi-tyyppisillä laikkasuojuksilla varustetulle työkalulle

Kuva5

Kuva6

Löysää laikan suojuksen vipu. Kiinnitä laikan suojuksen kiinnityspannan uloke laakeriketolon loven kohdalle. Käännä laikan suojuksen jälkeen kuvan osoittamaan asentoon. Kiristä laikan suojuksen vipu. Jos vipu on liian tiukalla tai löysällä niin, ettei laikan suojuksen pisy kunnolla paikoillaan, löysää tai kiristä mutteria mutteriavaimella, jolla säädetään laikan suojuksen hinnan kireyttä.

Irrota laikan suojuksen päinvastaisessa järjestyksessä.

Keskeltä ohennetun laikan/monilaikan (lisävaruste) kiinnittäminen ja irrottaminen

Kuva7

Aseta sisälaippa an. Sovita laikka sisälaippaan ja kiinnitä lukkomutteri an.

Kiristä lukkomutteri painamalla lukkoa voimakkaasti niin, ettei pääse pyörimään, ja kiristä lukkomutteri sitten lukkomutteriavaimella myötäpäivään.

Kuva8

Laikka irrotetaan päinvastaisessa järjestyksessä.

Superlaippa

Malleissa GA7020F,GA7020SF,GA9020F ja GA9020SF on vakiovarusteena superlaippa. Sen ansiosta lukkomutterin avaaminen vaatii vain 1/3:n tavallisen laipan edellyttämästä aukaisuvoimasta.

HUOMAUTUS:

- Vain työkaluille, joiden karan kierre on M14.

Hiomalaikan (lisävaruste) kiinnittäminen ja irrottaminen

HUOMAUTUS:

- Käytä vain tässä ohjekirjassa määritettyjä hiomakoneita. Ne on otettava erikseen.

Kuva9

Asenna kumityyny karaan. Sovita laikka kumityynyyn ja kiinnitä lukkomutteri karaan. Kiristä lukkomutteri painamalla akselilukkoa voimakkaasti niin, ettei kara pääse pyörimään, ja kiristä lukkomutteri sitten lukkomutteriavaimella myötäpäivään.

Irrota laikka päinvastaisessa järjestyksessä.

TYÖSKENTELEY

△VAROITUS:

- Älä koskaan pakota konetta. Koneen oma paino riittää. Pakottaminen ja liiallinen painaminen voi aiheuttaa vaarallisen laikan rikkoutumisen.
- Vaihda laikka AINA, jos kone pääsee putoamaan hionnan aikana.
- ÄLÄ KOSKAAN iske tai kolhi laikkaa työkaluun.
- Vältä laikan pomppimista ja jumittumista varsinkin silloin, kun työstä nurkkia, teräviä reunoja ja niin edelleen. Seurauksena voi olla hallinnan menetys ja takapotku.
- ÄLÄ KOSKAAN asenna koneeseen puun leikkaamiseen tarkoitettuja teriä tai muita sahanteriä. Kulmahiomakoneessa käytettynä nämä terät aiheuttavat lähes poikkeuksetta takapotkun ja hallinnan menetyksen, jolloin seurauksena voi olla henkilövahinkoja.

⚠️HUOMIO:

- Älä koskaan käynnistä konetta, kun se koskettaa työkappaleeseen, koska tämä voi aiheuttaa käyttäjälle vammoja.
- Käytä aina suojalaseja tai kasvosuojusta käytön aikana.
- Käytön jälkeen katkaise koneesta aina virta ja odota, kunnes laikka on täysin pysähtynyt ennen kuin lasket koneen käsistä.

Hionta

Ota työkalusta AINA tukeva ote toinen käsi takakahvassa ja toinen sivukahvassa. Käynnistä kone ja vie sitten laikka työkappaleeseen.

Pidä laikka noin 15 asteen kulmassa työkappaleen pintaan nähden.

Kun ajat sisään uuttaa laikkaa, älä käytä hiomakonetta suuntaan B, koska tällöin laikka leikkaa työkappaleeseen. Sitten kun laikan reuna on käytössä pyöristynyt, konetta voidaan käyttää sekä suuntaan A että B.

Kuva10

Teräskuppiharjan käyttäminen (lisävaruste)

⚠️HUOMIO:

- Tarkista harjan toiminta käyttämällä työkalua ilman kuormitusta. Varmista, ettei kukaan ole harjan tiellä.
- Älä käytä harjaa, jos se on vaurioitunut tai epätasapainossa. Vaurioituneen harjan käyttäminen voi aiheuttaa loukkaantumisvaaran katkenneiden harjasten takia.

Kuva11

Irrota työkalun virtajohto ja aseta se ylösalaisin siten, että kara on esillä. Poista karassa mahdollisesti olevat lisävarusteet. Kiinnitä teräskuppiharja karaan ja kiristä se työkalun mukana toimitettavalla avaimella. Kun käytät harjaa, älä paina sitä liiallisella voimalla, sillä liiallinen voimankäyttö saattaa taivuttaa harjaksia ja vaurioittaa harjaa.

Teräsharjalaikan käyttäminen (lisävaruste)

⚠️HUOMIO:

- Tarkista teräsharjalaikan toiminta käyttämällä työkalua ilman kuormitusta. Varmista, ettei kukaan ole teräsharjalaikan tiellä.
- Älä käytä teräsharjalaikkaa, jos se on vaurioitunut tai epätasapainossa. Vaurioituneen teräsharjalaikan käyttäminen voi aiheuttaa loukkaantumisvaaran katkenneiden harjasten takia.
- Käytä teräsharjalaikan kanssa AINA suojusta. Varmista, että laikka mahtuu suojuksen sisäpuolelle. Laikka voi hajota käytössä, joten suojuksen vähentää vammautumiseriskä.

Kuva12

Irrota työkalun virtajohto ja aseta se ylösalaisin siten, että kara on esillä. Poista karassa mahdollisesti olevat lisävarusteet. Kiinnitä teräsharjalaikka karaan ja kiristä se avaimella.

Kun käytät teräsharjalaikkaa, älä paina sitä liiallisella voimalla, sillä liiallinen voimankäyttö saattaa taivuttaa harjaksia ja vaurioittaa laikkaa.

Hiovan katkaisulaikan/timanttilaikan käyttäminen (lisävaruste)

⚠️VAROITUS:

- Varmista hiovaa katkaisulaikkaa / timanttilaikkaa käyttäessäsi, että käytät ainoastaan katkaisulaikkojen kanssa käytettäväksi tarkoitettua erikoislaikansuojusta. (Joissakin Euroopan maissa voidaan käyttää timanttilaikan kanssa tavallista suojusta. Noudata omassa maassasi voimassa olevia määräyksiä.)
- ÄLÄ KOSKAAN käytä katkoloikkaa sivun hiontaan.
- Älä "sullo" laikkaa tai sovelta liiallista painetta. Älä yritä tehdä liian syvää leikkausta. Laikan liiallinen painaminen lisää laikan leikkauksen kiinnittymisen ja kierteen lastauksen ja alltiuden, sekä takapotkun, laikan rikkoutumisen ja moottorin ylikuumenemisen mahdollisuutta.
- Älä käynnistä leikkaustoimintaa työkappaleessa. Anna laikan saavuttaa täysi nopeus ja astu varovasti leikkaukseen, siirtäen työkalua eteenpäin työkappaleen pinnan yli. Laikka saattaa kiinnittyä, jättää tai takapotkaista, jos työkalu käynnistetään työkappaleessa.
- Leikkaustoiminnan aikana, älä koskaan vaihda laikan kulmaa. Jos sijoitat katkoloikkaan sivupainetta (kuten hiomisen aikana), se voi aiheuttaa laikan lastuamisen ja katkeamisen, joka voi aiheuttaa henkilövamman.
- Timanttilaikkaa on pidettävä kohtisuorassa leikattavaan materiaaliin nähden.

Aseta sisälaiippa an. Sovita laikka sisälaiippaan ja kiinnitä lukkomutteri an.

Kuva13

Australia ja Uusi-Seelanti

Hiovan katkaisulaikan/timanttilaikan kiinnittäminen ja irrottaminen (lisävaruste)

Kuva14

KUNNOSSAPITO

⚠️HUOMIO:

- Varmista aina ennen tarkastuksia ja huoltotöitä, että laite on kone on sammutettu ja irrotettu virtalähteestä.
- Älä koskaan käytä bensiniä, ohentimia, alkoholia tai tms. aineita. Muutoin pinta voi halkeilla tai sen värit ja muoto voivat muuttua.

Kone ja sen ilma-aukot on pidettävä puhtaina. Puhdista koneen ilma-aukot säännöllisesti tai aina kun ne alkavat tukkeutua.

Kuva15

Hiiliharjojen vaihtaminen

Kuva16

Kun hiiliharjan sisällä oleva hartsieristikärki on paljaana ja koskettaa kommutaattoria, se sammuttaa moottorin automaattisesti. Kun näin tapahtuu, molemmat hiiliharjat täytyy vaihtaa. Pidä hiiliharjat puhtaina ja varmista, että ne pääsevät liukumaan vapaasti pidikkeissään. Molemmat hiiliharjat on vaihdettava yhtä aikaa. Käytä vain identtisiä hiiliharjoja.

Irrrota hiiliharjat kannet ruuvitaltalla. Poista kuluneet hiiliharjat, aseta uudet harjahiilet paikalleen ja kiinnitä hiiliharjojen kansi paikalleen.

Kuva17

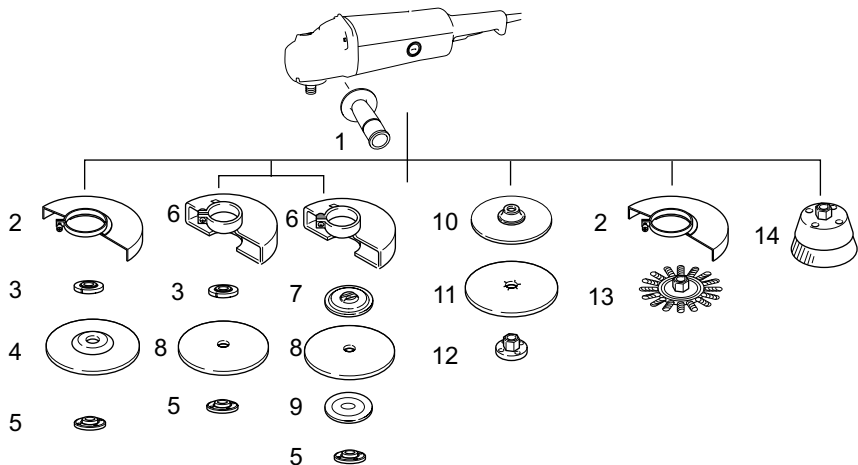
Koneen TURVALLISUUDEN ja LUOTETTAVUUDEN säilyttämiseksi korjaukset sekä muut huoltotoimet ja säädöt on jätettävä Makitan valtuuttaman huollon tehtäväksi käyttäen aina Makitan alkuperäisiä varaosia.

LISÄVARUSTEET

⚠HUOMIO:

- Näitä lisävarusteita ja -laitteita suositellaan käytettäväksi tässä ohjekirjassa mainitun Makitan koneen kanssa. Minkä tahansa muun lisävarusteen tai -laitteen käyttäminen voi aiheuttaa loukkaantumisvaaran. Käytä lisävarusteita ja -laitteita vain niiden käyttötarkoituksen mukaisesti.

Jos tarvitset apua tai yksityiskohtaisempia tietoja seuraavista lisävarusteista, ota yhteys paikalliseen Makitan huoltoon.



1	Sivukahva
2	Upotetulla navalla varustetun hiomalaikan / monilaikan / teräharjalaikan suojus
3	Sisälaippa/superlaippa *1*2
4	Upotetulla navalla varustettu laikka/monilaikka
5	Lukkomutteri/Ezynut *1*2
6	Hiovan katkaisulaikan/timanttilaikan suojus *3
7	Sisälaippa 78 (vain Australia ja Uusi-Seelanti) *4
8	Hiova katkaisulaikka/timanttilaikka
9	Ulkolaippa 78 (vain Australia ja Uusi-Seelanti) *4
10	Kumityyny
11	Hiomalaikka
12	Lukkomutteri hiontaan
13	Teräsharjalaikka
14	Teräskuppiharja
—	Lukkomutteriavain
—	Pölysuojus

*1 Vain työkaluille, joiden karan kierre on M14.

*2 Älä käytä superlaippaa ja Ezynutia yhdessä.

*3 Joissakin Euroopan maissa voidaan käyttää timanttilaikan kanssa tavallista suojusta laikan molemmat puolet peittävän erikoissuojuksen sijasta. Noudata omissa maassasi voimassa olevia määräyksiä.

*4 Käytä sisäistä laippaa 78 yhdessä ulkoisen laipan 78 kanssa. (Vain Australia ja Uusi-Seelanti.)

013353

HUOMAUTUS:

- Jotkin luettelossa mainitut varusteet voivat sisältyä työkalun toimitukseen vakiovarusteina. Ne voivat vaihdella maittain.

Kopskata skaidrojums

1-1. Vārpstas bloķētājs	7-4. Iekšējais atloks	14-2. Ārējais atloks 78
2-1. Slēdža mēlīte	8-1. Kontruzgriezņa atslēga	14-3. Abrazīva atgriešanas ripa/dimanta ripa
2-2. Bloķēšanas svira	8-2. Vārpstas bloķētājs	14-4. Iekšējais atloks 78
4-1. Slīpripas aizsargs	9-1. Kontruzgrieznis	14-5. Ripas aizsargierīce abrazīvai atgriešanas ripai/dimanta ripai
4-2. Skrūve	9-2. Abrazīva ripa	15-1. Izplūdes atvere
4-3. Gultņa ieliktnis	9-3. Gumijas starpliķa	15-2. Ieplūdes atvere
5-1. Slīpripas aizsargs	11-1. Bļodveida stieplu suka	16-1. Kolektors
5-2. Gultņa ieliktnis	12-1. Stieplu sukas ripa	16-2. Izolācijas uzgalis
5-3. Uzgrieznis	13-1. Kontruzgrieznis	16-3. Ogles suka
5-4. Svira	13-2. Abrazīva atgriešanas ripa/dimanta ripa	17-1. Sukas turekļa vāks
6-1. Uzgrieznis	13-3. Iekšējais atloks	17-2. Skrūvgriezis
6-2. Svira	13-4. Ripas aizsargierīce abrazīvai atgriešanas ripai/dimanta ripai	
7-1. Kontruzgrieznis	14-1. Kontruzgrieznis	
7-2. Slīpripa ar ieliektu centru		
7-3. Virsatloks		

SPECIFIKĀCIJAS

Modelis	GA7020	GA7020S	GA7021	GA9020	GA9020S
Slīpripas ar ieliektu centru diametrs	180 mm		180 mm	230 mm	
Maks. ripas biezums	6,5 mm	6,5 mm	6,5 mm	6,5 mm	6,5 mm
Vārpstas vītne	M14 vai 5/8" (atkarībā no valsts)		M14 vai 5/8" (atkarībā no valsts)	M14 vai 5/8" (atkarībā no valsts)	
Nominālais ātrums (n) / tukšgaitas ātrums (n ₀)	8 500 min ⁻¹		6 600 min ⁻¹	6 600 min ⁻¹	
Kopējais garums	473 mm		473 mm	473 mm	
Neto svars	5,5 kg	5,7 kg	5,5 kg	5,8 kg	5,9 kg
Drošības klase	II/III				

- Dēļ mūsu nepārtrauktās pētniecības un izstrādes programmas, šeit dotās specifikācijas var mainīties bez brīdinājuma.
- Atkarība no valsts specifikācijas var atšķirties.
- Svārs atbilstoši EPTA-Procedure 01/2003

ENE048-1

ENG905-1

Paredzētā lietošana

Šis darbarīks ir paredzēts metāla un akmeņu slīpēšanai, nolīdzināšanai un griešanai bez ūdens izmantošanas.

ENF002-2

Strāvas padeve

Darbarīks jāpievieno tikai tādai strāvas padevei, kuras spriegums ir tāds pats, kā norādīts uz plāksnītes ar nosaukumu, un to var ekspluatēt tikai ar vienfāzes maiņstrāvas padevi. Darbarīks aprīkots ar divkārtšo izolāciju, tādēļ to var izmantot arī, pievienojot kontaktligzdai bez iezemējuma vada.

ENF100-1

Ir paredzēts barošana no zemsprieguma elektrības tīkliem ar spriegumu no 220 V līdz 250 V.

Ieslēdzot elektriskās ierīces rodas sprieguma fluktuācija. Šīs ierīces darbināšana nelabvēlīgajos elektropadeves apstākļos var pasliktināt citu iekārtu darbību. Ja barošanas tīkla pilnā pretestība ir mazāka par 0,27 Omiem, var uzskatīt, ka negatīvu efektu nebūs. Elektrotīkla kontaktligzda, kurai ir pievienota šī ierīce, jābūt aizsargātai ar drošinātāju vai slēgiekārtu ar iedarbošanās aizkavi.

Troksnis

Tipiskais A-svērtais trokšņa līmenis ir noteikts saskaņā ar EN60745:

- Skaņas spiediena līmenis (L_{pA}): 89 dB (A)
- Skaņas jaudas līmenis (L_{WA}): 100 dB (A)
- Neskaidrība (K): 3 dB (A)

Lietojiet ausu aizsargus

ENG900-1

Vibrācija

Vibrācijas kopējā vērtība (trīs asu vektora summa) noteikta saskaņā ar EN60745:

Modelis GA7020, GA7020S

- Darba režīms: virsmas slīpēšana ar parastu sānu rokturi
- Vibrācijas emisija (a_{h,AG}): 8,5 m/s²
- Neskaidrība (K): 1,5 m/s²

Darba režīms: virsmas slīpēšana ar antivibrācijas sānu rokturi

Vibrācijas emisija ($a_{h,AG}$): $8,0 \text{ m/s}^2$
Neskaidrība (K): $1,5 \text{ m/s}^2$

Darba režīms: slīpēšana ar slīpripu

Vibrācijas emisija ($a_{h,DS}$): $2,5 \text{ m/s}^2$
Neskaidrība (K): $1,5 \text{ m/s}^2$

Modelis GA7021

Darba režīms: virsmas slīpēšana ar parastu sānu rokturi

Vibrācijas emisija ($a_{h,AG}$): $5,0 \text{ m/s}^2$
Neskaidrība (K): $1,5 \text{ m/s}^2$

Darba režīms: virsmas slīpēšana ar antivibrācijas sānu rokturi

Vibrācijas emisija ($a_{h,AG}$): $4,5 \text{ m/s}^2$
Neskaidrība (K): $1,5 \text{ m/s}^2$

Darba režīms: slīpēšana ar slīpripu

Vibrācijas emisija ($a_{h,DS}$): $2,5 \text{ m/s}^2$ vai mazāk
Neskaidrība (K): $1,5 \text{ m/s}^2$

Modelis GA9020,GA9020S

Darba režīms: virsmas slīpēšana

Vibrācijas emisija ($a_{h,AG}$): $5,5 \text{ m/s}^2$
Neskaidrība (K): $1,5 \text{ m/s}^2$

Darba režīms: slīpēšana ar slīpripu

Vibrācijas emisija ($a_{h,DS}$): $2,5 \text{ m/s}^2$ vai mazāk
Neskaidrība (K): $1,5 \text{ m/s}^2$

ENG902-1

- Paziņotā vibrācijas emisijas vērtība noteikta atbilstoši standarta pārbaudes metodei un to var izmantot, lai salīdzinātu vienu darbarīku ar citu.
- Paziņoto vibrācijas emisijas vērtību arī var izmantot iedarbības sākotnējā novērtējumā.
- Paziņoto vibrācijas emisijas vērtību izmanto galvenajām mehanizētā darbarīka darbībām. Taču, ja darbarīku izmanto citām darbībām, vibrācijas emisijas vērtība var būt atšķirīga.

▲BRĪDINĀJUMS:

- Reāli lietojot mehanizēto darbarīku, vibrācijas emisija var atšķirties no paziņotās emisijas vērtības atkarībā no darbarīka izmantošanas veida.
- Lai aizsargātu lietotāju, nosakiet drošības pasākumus, kas pamatoti ar iedarbību reālos darba apstākļos (ņemot vērā visus ekspluatācijas cikla posmus, piemēram, laiku, kamēr darbarīks ir izslēgts un kad darbojas tukšgaitā, kā arī palaides laiku).

Tikai Eiropas valstīm

EK Atbilstības deklarācija

Makita paziņo, ka šāds instruments(-i):

Instrumenta nosaukums:

Leņķa slīpmašīna

Modeļa Nr./veids: GA7020, GA7020S, GA7021, GA9020, GA9020S

Atbilst sekojošām Eiropas Direktīvām:

2006/42/EC

Ražots saskaņā ar šādu standartu vai normatīvajiem dokumentiem:

EN60745

Tehniskā lieta atbilstīgi 2006/42/EK ir pieejama:

Makita, Jan-Baptist Vinkstraat 2, 3070, Beļģija

31.12.2013



000331

Yasushi Fukaya

Direktors

Makita, Jan-Baptist Vinkstraat 2, 3070, Beļģija

GEA010-1

Vispārējie mehanizēto darbarīku drošības brīdinājumi

▲ **BRĪDINĀJUMS** Izlasiet visus drošības brīdinājumus un visus norādījumus. Brīdinājumu un norādījumu neievērošanas gadījumā var rasties elektriskās strāvas trieciens, ugunsgrēks un/vai nopietnas traumas.

Glabājiet visus brīdinājumus un norādījumus, lai varētu tajos ieskatīties turpmāk.

GEB033-7

DROŠĪBAS BRĪDINĀJUMI SLĪPĒTĀJA LIETOŠANAI

Drošības brīdinājumi, kopīgi slīpēšanas, slīpēšanas ar smilšpapīru, apstrādes ar stieplu suku vai abrazīvas atgrīšanas darbībām:

1. Šis mehanizētais darbarīks ir paredzēts slīpētāja, darbarīka slīpēšanai ar smilšpapīru, stieplu suku vai atgrīšanas darbarīka funkciju pildīšanai. Izlasiet visus drošības brīdinājumus, instrukcijas un specifikācijas, kas iekļautas mehanizētā darbarīka komplektācijā. Ja netiek ievēroti visi zemāk izklāstītie norādījumi, var tikt izraisīts elektriskās strāvas trieciens, ugunsgrēks un/vai smagas traumas.

2. **Ar šo mehānizēto darbarīku nav ieteicams veikt tādas darbības kā pulēšana.** Veikt darbības, kam šis mehānizētais darbarīks nav paredzēts, var būt bīstami un var radīt miesas bojājumus.
3. **Lietojiet tikai darbarīka ražotāja īpaši izgatavotos un ieteiktos piederumus.** Kaut arī piederumu ir iespējams piestiprināt pie darbarīka, tā lietošana nav droša.
4. **Piederuma nominālajam ātrumam jābūt vismaz vienādam ar maksimālo ātrumu, kas atzīmēts uz mehānizētā darbarīka.** Piederumi, kas kustas ātrāk par nominālo ātrumu, var salūzt un nolidot nost.
5. **Piederuma ārējam diametram un biežumam jābūt mehānizētā darbarīka jaudas koeficienta robežās.** Nepareiza izmēra piederumus nav iespējams pietiekami uzmanīt vai kontrolēt.
6. **Piederumu stiprinājuma vītnei ir jābilst slīpmašīnas darbvārpstas vītnei.** Piederumiem, kurus piestiprina aiz atlokiem, piederuma ass caurumam jāatbilst atloka uzstādīšanas diametram. Piederumi, kas neatbilst mehānizētā darbarīka montāžas furnitūrai, ir nestabili, pārmērīgi vibrē un var izraisīt kontroles zaudēšanu.
7. **Neizmantojiet bojātu aprīkojumu.** Pirms katras lietošanas pārbaudiet tādu aprīkojumu kā abrazīvās ripas, vai nav skaidu un plaisu, pīsumu vai nolietojuma, un stieplu suku - vai nav vaļņu vai lūzušu stiepli. Ja mehānizētais darbarīks vai piederums nokrīt, pārbaudiet, vai nav radušies bojājumi vai ierīkojiet nebojātu piederumu. Pēc piederuma pārbaudes un ierīkošanas atkāpieties un lieciet visiem klātesošajiem atkāpieties no rotējošā piederuma, un darbiniet mehānizēto darbarīku bez noslodzes ar maksimālo ātrumu vienā minūtē. Bojāti piederumi šādas pārbaudes laikā parasti izjūk.
8. **Izmantojiet personīgo aizsargaprīkojumu.** Atkarībā no veicamā darba valkājiet sejas aizsargu, aizsargbrilles vai brilles. Ja vajadzīgs, valkājiet putekļu masku, ausu aizsargus, cimdus un darba priekšautu, kas aiztur mazas abrazīvās vai apstrādājamā materiāla daļas. Acu aizsardzības aprīkojumam jāaiztur lidojoši netīrumi, kas rodas dažādu darbu veikšanas laikā. Putekļu maskai vai respiratoram jāaiztur darba laikā radušās daļiņas. Ilgstoša, ļoti intensīva trokšņa iedarbībā varat zaudēt dzirdi.
9. **Uzmaniet, lai apkārtējās personas atrastos drošā attālumā no darba vietas.** Ikvienam, kas atrodas darba vietā, jāvalkā personīgais aizsargaprīkojums. Apstrādājamā materiāla vai bojāta piederuma daļiņas var aizlidot un izraisīt ievainojumus tiem, kas atrodas darba vietas tuvumā.
10. **Veicot darbu, turiet mehānizēto darbarīku tikai aiz izolētajām satveršanas virsmām, ja griešanas instruments varētu saskarties ar aplēptu elektroinstalāciju vai ar savu vadu.** Ja griešanas instruments saskarsies ar vadu, kurā ir strāva, visas mehānizētā darbarīka ārējās metāla virsmas vadīs strāvu un radīs elektriskās strāvas triecienu risku.
11. **Novietojiet vadu tā, lai tas nepieskartos rotējošam piederumam.** Ja zaudēsiet vadību, vadu var pārgriezt vai aizķert, bet jūsu roku var ieraut rotējošajā piederumā.
12. **Mehānizēto darbarīku nedrīkst nolikt malā, līdz piederums nav pilnībā pārstājis darboties.** Rotējošais piederums var satvert virsmu un izraut mehānizēto darbarīku jums no rokām.
13. **Mehānizēto darbarīku nedrīkst darbināt, kad pārnēsājat to virzienā pret sevi.** Ja apģērbs nejauši pieskaras rotējošajam piederumam, tas var tikt satverts, piederumu ievelkot jūsu ķermenī.
14. **Regulāri tīriet mehānizētā darbarīka gaisa ventilus.** Motora ventilators ievelk putekļus korpusā un pārmērīga pulverveida metāla uzkrāšanās var izraisīt elektrības sistēmas bojājumus.
15. **Mehānizēto darbarīku nedrīkst darbināt viegli uzliesmojošu materiālu tuvumā.** Dzirksteles var aizdedzināt šos materiālus.
16. **Nelietojiet tādus piederumus, kam vajadzīgi dzesēšanas šķidrums.** Lietojot ūdeni vai citus dzesēšanas šķidrums, var gūt nāvējošu triecienu vai elektriskās strāvas triecienu.

Atsitienu un ar to saistīti brīdinājumi

Atsitienu ir pēkšņa reakcija uz iespiestu vai aizķērušos rotējošo ripu, atbalsta ieliktni, suku vai kādu citu piederumu. Iespējamā vai aizķeršanās izraisa pēkšņu rotējošā piederuma apstāšanos, kas, savukārt, kontakta brīdī izraisa nekontrolētu mehānizētā darbarīka grūdienu pretēji tā rotācijas virzienam.

Piemēram, ja abrazīvā ripa tiek iespiesta vai aizķeras aiz apstrādājamās virsmas, ripas asmens, kas tiek ievadīts saskares punktā, var ieurbities materiāla virsmā, liekot ripai izķīlēt no tā vai izraisot atsitienu. Ripa saskares brīdī var izlekt vai nu operatora virzienā, vai prom no viņa, atkarībā no ripas kustības virziena. Abrazīvās ripas šādos apstākļos var arī salūzt.

Atsitienu rodas darbarīka nepareizas lietošanas un/vai nepareizas darbības vai apstākļu rezultātā, un no tā var izvairīties, veicot piemērotus drošības pasākumus, kā norādīts zemāk.

- a) **Nepārtraukti cieši turiet mehānizēto darbarīku un novietojiet savu ķermeni un rokas tā, lai varētu pretoties atsitienu spēkiem.** Lai maksimāli kontrolētu atsitienu vai - iedarbināšanas laikā - griezes momentu, vienmēr lietojiet palīgprokturi, ja tāds ir. Operators var kontrolēt griezes momenta reakciju vai atsitienu spēku, ja veic atbilstošus piesardzības pasākumus.
- b) **Rokas nedrīkst turēt rotējošā piederuma tuvumā.** Piederums var radīt atsitienu rokai.

- c) Neviena jūsu ķermeņa daļa nedrīkst atstāties teritorijā, kur atsitiena gadījumā pārvietosies mehānizētais darbarīks. Atsitiens saskares brīdī pārvieto darbarīku virzienā pretēji ripas kustībai.
- d) Ievērojiet īpašu piesardzību, apstrādājot stūrus, asas malas, u.c. Novērsiet piederuma atļiecienu un sadursmes ar šķēršļiem. Stūri, asas malas vai atļieciņi mēdz saņemt rotējošo piederumu un izraisīt kontroli zaudēšanu pār darbarīku vai atsitienu.
- e) **Nepievienojiet zāga ķēdes kokgriezumam asmeni vai zobaino zāga asmeni.** Šādi asmeņi izraisa biežus atsitienu un kontroles zaudēšanu.

Drošības brīdinājumi, specifiski slīpēšanas un abrazīvas atgriešanas darbībām:

- a) **Izmantojiet tikai savam mehānizētajam darbarīkam ieteiktos ripu veidus un specifiskos aizsargus, kas izstrādāti izvēlētajam ripām.** Ripas, kam mehānizētais darbarīks nav paredzēts, nevar pienācīgi aizsargāt, tāpēc tās nav drošas.
- b) **Ripas ar ieliektu centru slīpēšanas virsmai jāatrodas zemāk par aizsargatloka plāksni.** Nepareizi piestiprināta ripa, kas izvirzīta cauri aizsargatloka plāksnei, nav pietiekami aizsargāta.
- c) **Aizsargam jābūt cieši piestiprinātam pie mehānizētā darbarīka un novietotam maksimālai drošībai, tādējādi operatora virzienā ir atsegta vismazākā ripas daļa.** Aizsargs palīdz aizsargāt operatoru no salūzušas ripas daļām un nejaušas saskares ar slīpripu un dzirkstelēm, kas varētu aizdedzināt apgērību.
- d) **Ripas jāizmanto tikai ieteiktajam pielietojumam. Piemēram, neslīpējiet ar atgriešanas ripas malu.** Abrazīvās atgriešanas ripas ir paredzētas perifērai slīpēšanai, pret šīm slīpīpām pielietots spēks no sāniem var likt tām saplaisāt.
- e) **Vienmēr izmantojiet nebojātus, izvēlētajai ripai atbilstoša izmēra un formas ripas atlokus.** Atbilstoši ripas atloki atbalsta ripu, tādējādi samazinot tās salūšanas iespēju. Atgriešanas ripu atloki var atšķīrties no slīpripu atlokiem.
- f) **Neizmantojiet nolietotas ripas no lielākiem mehānizētajiem darbarīkiem.** Lielākiem mehānizētajiem darbarīkiem paredzētās ripas nav piemērotas mazāka darbarīka lielajam ātrumam un tās var saplīst.

Papildu drošības brīdinājumi, specifiski abrazīvas atgriešanas darbībām:

- a) **"Neiespiediet" atgriešanas ripu un nepielietojiet pārmērīgu spiedienu. Nemēģiniet veikt pārmērīga dziļuma griezumus.** Ripas pārspriegošana palielina slodzi un uzņēmtību pret ripas savērpsanos vai aizķeršanos griezumā, un atsitienu, un ripas salūšanas iespējamību.
- b) **Neviena jūsu ķermeņa daļa nedrīkst atstāties vienā līnijā ar rotējošo ripu un aiz tās.** Kad darba laikā ripas pārvietojas virzienā prom no jūsu ķermeņa, iespējama atsitiens var būt rotējošo ripu un mehānizēto darbarīku tieši jūsu virzienā.

- c) **Ja ripa aizķeras vai kad kāda iemesla dēļ tiek pārtraukts griezumam, izslēdziet mehānizēto darbarīku un turiet to nekustīgi, līdz ripa apstājas pilnībā. Nekad nemēģiniet izņemt atgriešanas ripu no griezuma, kamēr ripa vēl rotē, pretējā gadījumā var rasties atsitiens.** Pārbaudiet un veiciet attiecīgus pasākumus, lai likvidētu ripas aizķeršanās cēloņus.
- d) **Neatsāciet griešanas darbību, darbarīkam atrodotos apstrādājamajā virsmā. Laujiet ripai sasniegt pilnu ātrumu un tad uzmanīgi ievietojiet to griezumā no jauna.** Ripa var aizķerties, izvirzīties augšup vai veikt atsitienu, ja mehānizētais darbarīks tiek iedarbināts no jauna, kamēr tā atrodas apstrādājamajā materiālā.
- e) **Atbalstiet paneļus un visas pārmērīga lieluma apstrādājamās virsmas, lai samazinātu ripas iesprūšanas un atsitienu risku.** Lielī apstrādājamās virsmas laukumi bieži vien ieliecas paši zem sava svara. Atbalsti jānovieto abās ripas pusēs zem apstrādājamās virsmas, griezuma līnijas tuvumā un tuvu apstrādājamās virsmas malai.
- f) **Esiet īpaši uzmanīgi, veicot "nišas griezumus" jau esošās sienās vai citās aizsegtās vietās.** Caururbjošais asmens var pārgriezt gāzes vai ūdens caurules, elektrības vadus vai priekšmetos, kas var izraisīt atsitienu.

Drošības brīdinājumi, specifiski slīpēšanai ar smilšpapīru:

- a) **Neizmantojiet pārāk lielu smilšpapīra diska papīru. Ievērojiet ražotāja rekomendācijas, kad izvēlaties smilšpapīru.** Lielāks smilšpapīrs, kas sniedzas aiz smilšpapīra ieliktnī, rada pīsumu briemas un var izraisīt diska aizķeršanos, pīsumu vai atsitienu.

Drošības brīdinājumi, specifiski apstrādei ar stieplu suku:

- a) **Ņemiet vērā, ka stieplu sari veic gājienu pat parastās darbības laikā. Nepielietojiet pārspiedienu pret stieplēm, pielietojot pārmērīgu slodzi pret suku.** Stieplu sari var viegli pārplēst vieglus audumus un/vai ādu.
- b) **Ja apstrādei ar stieplu suku ieteikts izmantot aizsargu, nepieļaujiet stieplu ripas vai sukas saskari ar aizsargu.** Stieplu ripai vai sukai var palielināties diametrs darba slodzes un centrālās spēku iedarbībā.

Papildu drošības brīdinājumi:

17. **Ja izmantojat slīpripas ar ieliektu centru, noteikti izmantojiet tikai stikla šķiedras slīpripas.**
18. **Kopā ar šo slīpmašīnu NEKAD NEIZMANTOJIET blōdveida akmens ripu.** Šī slīpmašīna nav paredzēta šāda veida ripām, un to izmantošana var izraisīt nopietnus ievainojumus.
19. **Uzmanieties, lai nesabojātu vārpstu, atloku (it īpaši uzstādīšanas virsmu) un pretuzgriezni.** Šo daļu bojājums var izraisīt slīpripas salūšanu.

20. Pārliecinieties, ka slīpriņa nepieš apstrādājama virsmai pirms slēdža ieslēgšanas.
21. Pirms īsta materiāla apstrādāšanas darbiniet darbarīku kādu brīdi tukšgaitā. Pievērsiet uzmanību tam, vai nav novērojama vibrācija vai svārstīšanās, kas varētu norādīt uz nekvālitatīvu uzstādīšanu vai nepareizi līdzsvarotu ripu.
22. Lai veiktu slīpēšanu, izmantojiet tam paredzēto slīpēšanas virsmu.
23. Neatstājiet ieslēgtu darbarīku. Darbiniet darbarīku vienīgi tad, ja turat to rokās.
24. Neskarīties pie apstrādājamas detaļas tūlīt pēc darba izpildes; tā var būt ārkārtīgi karsta un var apdedzināt ādu.
25. Ievērojiet ražotāja norādījumus slīpripu pareizai montāžai un lietošanai. Apejieties ar slīpripām uzmanīgi un uzglabājiet tās saudzīgi.
26. Neizmantojiet atsevišķus pārejas ieliktnus vai adapterus, lai pielāgotu abrazīvās slīpripas ar liela diametra atveri.
27. Izmantojiet tikai šim darbarīkam paredzētus atlokus.
28. Darbarīkiem, kuri paredzēti lietošanai ar vītņotu slīpripu, pārliecinieties, ka slīpripas vītnes garums atbilst vārpstas garumam.
29. Pārbaudiet, vai apstrādājamā detaļa ir pienācīgi atbalstīta.
30. Ņemiet vērā to, ka slīpripa turpina griezties arī pēc darbarīka izslēgšanas.
31. Ja darba vietā ir augsta temperatūra un liels mitrums, vai tā ir stipri piesārņota ar vadītspējīgiem putekļiem, izmantojiet īssavienojuma pārtraucēju (30 mA), lai garantētu operatora drošību.
32. Neizmantojiet instrumentu darbam ar jebkādiem materiāliem, kuri satur azbestu.
33. Griežņripas lietošanas gadījumā vienmēr izmantojiet ripas aizsargu ar putekļu savācēju, jo to prasa vietēja likumdošana.
34. Griežņripas nedrīkst pakļaut jebkura veida sānu spiedienam.

SAGLABĀJIET ŠOS NORĀDĪJUMUS.

△BRĪDINĀJUMS:

NEZAUDĒJIET modrību darbarīka lietošanas laikā (tas var gadīties pēc darbarīka daudzkārtējas izmantošanas), rūpīgi ievērojiet urbšanas drošības noteikumus šim izstrādājumam. **NEPAREIZAS LIETOŠANAS** vai šīs rokasgrāmatas drošības noteikumu neievērošanas gadījumā var gūt smagas traumas.

FUNKCIJU APRAKSTS

△UZMANĪBU:

- Pirms regulējiet vai pārbaudiet instrumenta darbību, vienmēr pārliecinieties, vai instruments ir izslēgts un atvienots no barošanas.

Vārpstas bloķētājs

Att.1

△UZMANĪBU:

- Nekad neieslēdziet vārpstas bloķētāju kamēr vārpsta griežas. Tas var sabojāt darbarīku.

Nospiediet vārpstas bloķētāju, lai novērstu vārpstas rotāciju piederumu uzstādīšanas vai noņemšanas laikā.

Slēdža darbība

△UZMANĪBU:

- Pirms instrumenta pieslēgšanas vienmēr pārbaudiet, vai slēdža mēlīte darbojas pareizi un atgriežas izslēgtā stāvoklī, kad tiek atlaista.
- Slēdzi var ieslēgt "ON" (ieslēgts) stāvoklī, lai atvieglotu operatora darbu ilgstoša darba laikā. Esiet uzmanīgi, ieslēdzot darbarīku "ON" (ieslēgts) stāvoklī, un turpiniet cieši turēt darbarīku.

Att.2

Darbarīkam ar slēdža bloķēšanu ieslēgtajā stāvoklī (nav pieejams Eiropā)

Lai iedarbinātu darbarīku, vienkārši pavelciet slēdža mēlīti (B virzienā). Lai apturētu darbarīku, atlaidiet slēdža mēlīti. Lai darbarīks darbotos nepārtraukti, pavelciet slēdža mēlīti (B virzienā) un tad nospiediet bloķēšanas sviru (A virzienā). Lai apturētu darbarīku, kad slēdzis ir bloķēts, pievelciet slēdža mēlīti līdz galam (B virzienā), tad atlaidiet to.

Darbarīkam ar slēdža bloķēšanu izslēgtajā stāvoklī

Lai nepieļautu slēdža mēlītes nejaušu nospiešanu, darbarīks ir aprīkots ar bloķēšanas sviru.

Lai iedarbinātu darbarīku, nospiediet bloķēšanas sviru (A virzienā) un pavelciet slēdža mēlīti (B virzienā). Lai apturētu darbarīku, atlaidiet slēdža mēlīti.

Darbarīkam ar slēdža bloķēšanu ieslēgtajā un izslēgtā stāvoklī (nav pieejams Eiropā)

Lai nepieļautu slēdža mēlītes nejaušu nospiešanu, darbarīks ir aprīkots ar bloķēšanas sviru.

Lai iedarbinātu darbarīku, nospiediet bloķēšanas sviru (A virzienā) un pavelciet slēdža mēlīti (B virzienā). Lai apturētu darbarīku, atlaidiet slēdža mēlīti.

Lai darbarīks darbotos nepārtraukti, nospiediet bloķēšanas sviru (A virzienā), pavelciet slēdža mēlīti (B virzienā) un pēc tam iespiediet bloķēšanas sviru (A virzienā) vēl tālāk.

Lai apturētu darbarīku, kad slēdzis ir bloķēts, pievelciet slēdža mēlīti līdz galam (B virzienā), tad atlaidiet to.

PIEZĪME:

Pēc ieslēgšanas modelis GA7020S, GA9020S, GA7020SF un GA9020SF sāk darboties ar mazu ātrumu. Šāda laidena ieslēgšana nodrošina vienmērīgāku darbību un mazāku operatora nogurumu.

MONTĀŽA

⚠UZMANĪBU:

- Vienmēr pārliecinieties, vai instruments ir izslēgts un atvienots no barošanas, pirms veicat jebkādas darbības ar instrumentu.

Sānu roktura uzstādīšana (rokturis)

Att.3

⚠UZMANĪBU:

- Vienmēr pirms darbarīka izmantošanas pārliecinieties, ka sānu rokturis ir droši uzstādīts.

Stingri pieskrūvējiet sānu rokturi pie darbarīka, kā parādīts zīmējumā.

Ripas aizsargierīces uzstādīšana vai noņemšana (slīpripa ar ieliektu centru, Multi-disc ripa, stieplju sukas ripa/abrazīva atgriešanas ripa, dimanta ripa)

⚠BRĪDINĀJUMS:

- Slīpripas ar ieliektu centru/Multi-disc, lokanās ripas vai stieplju sukas ripas izmantošanas gadījumā slīpripas aizsargs ir jāuzstāda uz darbarīka tā, lai aizsarga slēgtā daļa vienmēr būtu vērsta operatora virzienā.
- Izmantojot abrazīvu atgriešanas/ dimanta ripu, lietojiet tikai īpašu ripas aizsargierīci, kas paredzēta atgriešanas ripām. (Dažās Eiropas valstīs, izmantojot dimanta ripu, var lietot parasto aizsargu. Ievērojiet savas valsts noteikumus.)

Darbarīkam ar atdures skrūves tipa slīpripas aizsargu

Att.4

Uzstādiet slīpripas aizsargu tā, lai uz tā malas esošais izcilnis sakristu ar gultņa ieliktna ierobu. Pēc tam pagrieziet dubļu sargu tādā leņķī, lai darba laikā tas aizsargātu operatoru. Pārliecinieties, vai skrūve ir cieši pieskrūvēta.

Lai noņemtu slīpripas aizsargu, izpildiet augstāk aprakstīto uzstādīšanas procedūru apgrieztā secībā.

Darbarīkam ar spīlējuma sviras tipa slīpripas aizsargu

Att.5

Att.6

Atlaidiet sviru uz slīpripas aizsarga. Uzstādiet slīpripas aizsargu tā, lai uz tā malas esošais izcilnis sakristu ar gultņa ieliktna ierobu. Tad pagrieziet slīpripas aizsargu pozīcijā, kā parādīts attēlā. Lai nostiprinātu slīpripas aizsargu, pievelciet sviru. Ja svira ir pārāk cieši pievilktā

vai ir pārāk vaļīga un ar tās palīdzību nevar nostiprināt slīpripas aizsargu, atskrūvējiet vai pieskrūvējiet uzgriezni ar uzgriežņatslēgu, lai noregulētu slīpripas aizsarga malas pievilksānu.

Lai noņemtu slīpripas aizsargu, izpildiet augstāk aprakstīto uzstādīšanas procedūru apgrieztā secībā.

Slīpripas ar ieliektu centru/Multi-disc (piederums) uzstādīšana un noņemšana

Att.7

Uzstādiet uz vārpstas iekšējo atloku. Novietojiet slīpripu virs iekšējā atloka un pieskrūvējiet kontruzgriezni uz vārpstas.

Lai pievilktu kontruzgriezni, stingri nospiediet vārpstas bloķētāju, lai vārpsta nevarētu griezties, pēc tam ar kontruzgriežņa atslēgas palīdzību labi pievelciet to pulksteņrādītāja virzienā.

Att.8

Lai noņemtu slīpripu, izpildiet augstāk aprakstīto uzstādīšanas procedūru apgrieztā secībā.

Virsatloks

Modeļa GA7020F,GA7020SF,GA9020F un GA9020SF standartaprīkojumā ietilpst virsatloks. Salīdzinot ar parasto tipu, kontruzgriezni iespējams noņemt 3 reiz vieglāk.

PIEZĪME:

- Tikai darbarīkiem ar M14 vārpstas vītņi.

Abrazīvās ripas (papildpiederums) uzstādīšana vai noņemšana

PIEZĪME:

- Izmantojiet slīpmašīnas piederumus, kādi norādīti šajā rokasgrāmatā. Tos jāiegādājas atsevišķi.

Att.9

Uz vārpstas uzstādiet gumijas paliktņi. Novietojiet ripu uz gumijas paliktņa un uz vārpstas uzskrūvējiet kontruzgriezni. Lai pieskrūvētu kontruzgriezni, stingri nospiediet vārpstas bloķētāju, lai vārpsta nevarētu griezties, un pēc tam ar kontruzgriežņa atslēgas palīdzību cieši pieskrūvējiet to pulksteņrādītāja virzienā. Lai noņemtu ripu, izpildiet iepriekš aprakstīto uzstādīšanas procedūru apgrieztā secībā.

EKSPLUATĀCIJA

⚠BRĪDINĀJUMS:

- Strādājot ar darbarīku nekad nepielietojiet pārmērīgu spēku. Darbarīka svars rada pietiekošu spiedienu. Pārmērīgs spēks vai spiediens uz darbarīka var izraisīt ripas sagrūšanu, kas ir ļoti bīstami.
- VIENMĒR mainiet ripu, ja slīpēšanas laikā darbarīks nokrita.
- NEKAD nesītiēt slīpriju pret apstrādājamo virsmu.
- Izvaieties no ripas lēkāšanas un sadursmes ar šķēršļiem, it īpaši stūru, asu malu utt. apstrādes laikā. Tas var izraisīt kontroles zaudēšanu un atsitieni.
- NEKAD nelietojiet darbarīku ar koka griešanas asmeņiem un citām zāģa plātnēm. Izmantojot šādas plātnes uz slīpmašīnām bieži rodas atsitieni, kuri izraisa kontroles zaudēšanu un traumų gūšanu.

⚠UZMANĪBU:

- Nekad neieslēdziet darbarīku, kamēr tas pieskaras apstrādājamai virsmai, jo tas var novest pie traumas gūšanas.
- Darba laikā vienmēr lietojiet aizsargbrilles vai sejas aizsargmasku.
- Pēc darba pabeigšanas vienmēr slēdziet darbarīku ārā un uzgaidiet, kamēr ripa pilnīgi apstāties pirms nolieciēt darbarīku.

Slīpēšana un nolīdzināšana

VIENMĒR stingri turiet darbarīku ar vienu roku aiz aizmugurējo rokturi un ar otru aiz sānu roktura. Ieslēdziet darbarīku un sāciet apstrādāt detaļu ar slīpriņas vai diska palīdzību.

Turiet slīpriņas vai diska malu apmēram 15 grādu leņķī pret apstrādājamo virsmu.

Uzsākot darbu ar jaunu slīpriņu, nestrādājiet ar darbarīku B virzienā, citādi tas var ieurbties apstrādājamajā detaļā. Kad slīpriņas mala lietošanas gaitā ir noapaļota, slīpriņu var izmantot darbam abos - A un B virzienos.

Att.10

Ekspluatācija ar blodveida stieplu suku (papildpiederums)

⚠UZMANĪBU:

- Pārbaudiet suku darbību, iedarbinot darbarīku bez slodzes un nodrošinot, lai suku priekšā vai sānos neviens neatrastos.
- Neizmantojiet suku, kas ir bojāta vai nav balansēta. Bojātas suku izmantošana var palielināt ievainojumu, ko rada salauzta suku stieples, iespēju.

Att.11

Atvienojiet darbarīku no strāvas un novietojiet otrādi, nodrošinot vienkāršu piekļuvi asij. No ass noņemiet visus piederumus. Uzstādiēt blodveida stieplu suku uz ass un pieskrūvējiet ar komplektā esošo uzgriežņu atslēgu. Izmantojot suku, to pārmērīgi nespiediet, jo tas var radīt stieplu saliekšanos, kas izraisa priekšlaicīgu saplīšanu.

Ekspluatācija ar stieplu suku ripu (papildpiederums)

⚠UZMANĪBU:

- Pārbaudiet stieplu suku darbību, iedarbinot darbarīku bez slodzes un nodrošinot, lai stieplu suku ripas priekšā vai sānos neviens neatrastos.
- Neizmantojiet stieplu suku ripu, kas ir bojāta vai nav balansēta. Bojātas stieplu suku ripas izmantošana var palielināt ievainojumu, ko rada salauzta stieples, iespēju.
- Lietojot stieplu suku ripu, VIENMĒR izmantojiet aizsargu, nodrošinot, ka ripas diametrs atbilst aizsarga iekšpusei. Lietošanas laikā ripa var sadrupt un aizsargs palīdz samazināt ievainojumu gūšanas risku.

Att.12

Atvienojiet darbarīku no strāvas un novietojiet otrādi, nodrošinot vienkāršu piekļuvi asij. No ass noņemiet visus piederumus. Uzskrūvējiet stieplu suku ripu uz ass un pieskrūvējiet ar uzgriežņu atslēgu.

Izmantojot stieplu suku ripu, to pārmērīgi nespiediet, jo tas var radīt stieplu saliekšanos, kas izraisa priekšlaicīgu saplīšanu.

Darbība ar abrazīvu atgriešanas/dimanta ripu (papildpiederums)

⚠BRĪDINĀJUMS:

- Izmantojot abrazīvu atgriešanas/ dimanta ripu, lietojiet tikai īpašu ripas aizsargierīci, kas paredzēta atgriešanas ripām. (Dažās Eiropas valstīs, izmantojot dimanta ripu, var lietot parasto aizsargu. Ievērojiet savas valsts noteikumus.)
- NEKAD NELIETOJĒT griezējriņu sānu slīpēšanai.
- Neieķīļējiet ripu un nepielietojiet pārmērīgu spiedienu. Nemēģiniet veikt pārmērīga dziļuma griezumus. Ripas pārspriegošana palielina slodzi un uzņēmību pret ripas savērpšanos vai aizķeršanos griezumā, kā arī atsitiena, ripas salūšanas un dzinēja pārkarsēšanas iespējamību.
- Nesāciet griešanas darbību, darbarīkam atrodoties apstrādājamajā virsmā. Ļaujiet ripai sasniegt pilnu ātrumu un uzmanīgi ievietojiet to griezumā, virzot darbarīku uz priekšu pāri apstrādājamā materiāla virsmai. Ripa var aizķerties, izvīrīties augšup vai veikt atsitieni, ja mehānizētais darbarīks tiek iedarbināts, kamēr tā atrodas apstrādājamajā virsmā.

- Nekad nemainiet slīpriņas leņķi frēzēšanas laikā. Veicot sānu spiedienu uz griezējripu (kā, piemēram, slīpējot), ripa var saplaisāt un salūzt, radot nopietnus ievainojumus.
- Dimanta ripa jālieto perpendikulāri griežamajam materiālam.

Uzstādiet uz vārpstas iekšējo atloku. Novietojiet slīpripu virs iekšējā atloka un pieskrūvējiet kontruzgriezni uz vārpstas.

Att.13

Austrālijai un Jaunzēlandei

Abrazīvas atgriešanas ripas/dimanta ripu (papildpiederums) uzstādīšana vai noņemšana

Att.14

APKOPE

⚠UZMANĪBU:

- Pirms veicat pārbaudi vai apkopi vienmēr pārliecinieties, vai instruments ir izslēgts un atvienots no barošanas.
- Nekad neizmantojiet gazolīnu, benzīnu, atšķaidītāju, spirtu vai līdzīgus šķidrumus. Tas var radīt izbalēšanu, deformāciju vai plaisas.

Darbarīkam un tā ieplūdes un izplūdes atverēm jābūt tīriem. Regulāri tīriet darbarīka gaisa atveres, kā arī visos tajos gadījumos, kad atveres aizsprostojas.

Att.15

Ogles suku nomaiņa

Att.16

Kad ogles sukā esošais sveķu izolācijas uzgalis iziet ārā un pieskaras kolektoram, dzinējs automātiski izslēdzas. Kad tas notiek, ir jānomaina abas ogles sukas. Turiet ogles sukas tīras un pārbaudiet, vai tās var brīvi ieiet turekļos. Abas ogles sukas ir jānomaina vienlaikus. Izmantojiet tikai identiskas ogles sukas.

Noņemiet sukas turekļa vāciņus ar skrūvgrieža palīdzību. Izņemiet nolietoto ogles sukas, ievietojiet jaunas un nostipriniet sukas turekļa vāciņus.

Att.17

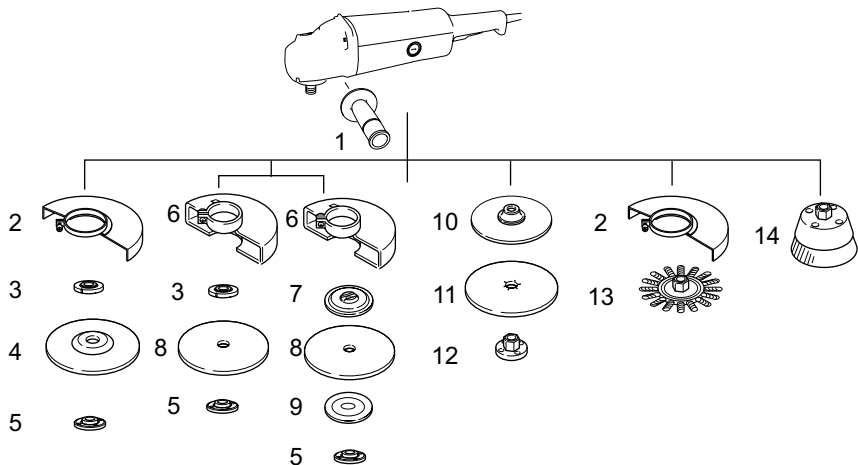
Lai saglabātu produkta DROŠU un UZTICAMU darbību, remontdarbus, apkopi un regulēšanu uzticiet veikt tikai Makita pilnvarotam apkopes centram un vienmēr izmantojiet tikai Makita rezerves daļas.

PAPILDU PIEDERUMI

⚠UZMANĪBU:

- Šādi piederumi un rīki tiek ieteikti lietošanai ar šajā pamācībā aprakstīto Makita instrumentu. Jebkādu citu piederumu un rīku izmantošana var radīt traumu briesmas. Piederumu vai rīku izmantojiet tikai tā paredzētajam mērķim.

Ja jums vajadzīga palīdzība vai precīzāka informācija par šiem piederumiem, vērsieties savā tuvākajā Makita apkopes centrā.



1	Sānu rokturis
2	Slīpripas aizsargs slīpripai ar ieliektu centru/Multi-disc ripa/ stiepļu sukas ripa
3	Iekšējais atloks/ virsatloks *1*2
4	Slīpripa ar ieliektu centru/Multi-disc
5	Kontruzgrieznis/Ezynut *1*2
6	Ripas aizsargierīce abrazīvai atgriešanas ripai/dimanta ripai *3
7	Iekšējais atloks 78 (tikai Austrālijā un Jaunzēlandē) *4
8	Abrazīva atgriešanas ripa/dimanta ripa
9	Ārējais atloks 78 (tikai Austrālijā un Jaunzēlandē) *4
10	Gumijas starplika
11	Abrazīva ripa
12	Slīpēšanas kontruzgrieznis
13	Stiepļu sukas ripa
14	Bļodveida stiepļu suka
—	Kontruzgriežņa atslēga
—	Putekļu vācele

*1 Tikai darbarīkiem ar M14 vārpstas vītņi.

*2 Virsatloku un Ezynut neizmantojiet kopā.

*3 Dažās Eiropas valstīs, izmantojot dimanta ripu, īpašā aizsarga vietā, kas nosedz abas ripas puses, var lietot parasto aizsargu. Ievērojiet savas valsts noteikumus.

*4 Iekšējo atloku 78 un ārējo atloku 78 izmantojiet kopā (tikai Austrālijā un Jaunzēlandē).

013353

PIEZĪME:

- Daži sarakstā norādītie izstrādājumi var būt iekļauti instrumenta komplektācijā kā standarta piederumi. Tie dažādās valstīs var būt atšķirīgi.

Bendrasis aprašymas

1-1. Ašies fiksatorius	7-4. Vidinis kraštas	14-1. Fiksavimo galvutė
2-1. Jungiklio spraktuksas	8-1. Fiksavimo galvutės raktas	14-2. Išorinė jungė 78
2-2. Fiksavimo svirtelė	8-2. Ašies fiksatorius	14-3. Šlifuojamasis pjovimo diskas/deimantinis diskas
4-1. Disko saugiklis	9-1. Fiksavimo galvutė	14-4. Vidinė jungė 78
4-2. Sraigtas	9-2. Šlifavimo diskas	14-5. Apsauginis gaubtas šlifuojamajam pjovimo diskui/deimantiniams diskui
4-3. Guoliai	9-3. Guminis padas	15-1. Oro išmetimo anga
5-1. Disko saugiklis	11-1. Vielinis, taurelės formos šepetėlis	15-2. Oro įtraukimo anga
5-2. Guoliai	12-1. Vielinis, disko formos šepetėlis	16-1. Srovės keitiklis
5-3. Veržlė	13-1. Fiksavimo galvutė	16-2. Izoliacinis galiukas
5-4. Svirtelė	13-2. Šlifuojamasis pjovimo diskas/deimantinis diskas	16-3. Anglinis šepetėlis
6-1. Veržlė	13-3. Vidinis kraštas	17-1. Šepetėlio laikiklio dangtelis
6-2. Svirtelė	13-4. Apsauginis gaubtas šlifuojamajam pjovimo diskui/deimantiniams diskui	17-2. Atsuktuvus
7-1. Fiksavimo galvutė		
7-2. Nuspaustas centrinis diskas		
7-3. Super jungė		

SPECIFIKACIJOS

Modelis	GA7020	GA7020S	GA7021	GA9020	GA9020S
Nuspausto centrinio disko skersmuo	180 mm		180 mm	230 mm	
Maks. disko storis	6,5 mm	6,5 mm	6,5 mm	6,5 mm	6,5 mm
Veleno sriegis	M14 arba 5/8" (priklausomai nuo šalies)		M14 arba 5/8" (priklausomai nuo šalies)	M14 arba 5/8" (priklausomai nuo šalies)	
Nominalusis greitis (n) / greitis be apkrovos (n ₀)	8 500 min ⁻¹		6 600 min ⁻¹	6 600 min ⁻¹	
Bendras ilgis	473 mm		473 mm	473 mm	
Neto svoris	5,5 kg	5,7 kg	5,5 kg	5,8 kg	5,9 kg
Saugos klasė	II/II				

- Atliekame nepertraukiamus tyrimus ir nuolatos tobuliname savo gaminius, todėl čia pateikiamos specifikacijos gali būti keičiamos be įspėjimo.
- Įvairiose šalyse specifikacijos gali skirtis.
- Svoris pagal Europos elektrinių įrankių asociacijos nustatytą metodiką „EPTA - Procedure 01/2003“

Naudojimo paskirtis

Įrankis yra skirtas šlifuoti, šlifuoti šlifavimo popieriumi, metalui ir akmeniui pjauti nenaudojant vandens.

ENE048-1

tinklo lizdas turi būti apsaugotas saugikliu arba apsauginiu grandinės nutraukikliu su lėto suveikimo charakteristika.

ENG905-1

Maitinimo šaltinis

Šį įrankį reikia jungti tik prie tokio maitinimo šaltinio, kurio įtampa atitinka nurodytąją įrankio duomenų plokštelėje; galima naudoti tik vienfazį kintamosios srovės maitinimo šaltinį. Jie yra dvigubai izoliuoti, todėl gali būti naudojami prijungus prie elektros lizdų be atžeminimo laido.

ENF002-2

Triukšmas

Tipiškas A svertinis triukšmo lygis nustatytas pagal EN60745:

- Garso slėgio lygis (L_{PA}): 89 dB (A)
- Garso galios lygis (L_{WA}): 100 dB (A)
- Paklaida (K): 3 dB (A)

Dėvėkite ausų apsaugas**Skirtas viešosioms skirstomosioms žemos įtampos sistemoms tarp 220 V ir 250 V.**

Elektrinių įrenginių įjungimas sukelia įtampos svyravimus. Šio įrenginio naudojimas nepalankiomis elektros tinklo sąlygomis gali daryti įtaką kitos įrangos darbui. Kai pilnutinė įėjimo varža yra lygi ar mažesnė negu 0,27 omų, galima manyti, kad nebus jokio neigiamo poveikio. Šiam įrankiui naudojamas elektros

ENF100-1

Vibracija

Vibracijos bendroji vertė (trijų ašių vektorinė suma) nustatyta pagal EN60745:

ENG900-1

Modelis GA7020,GA7020S

Darbo režimas: paviršiaus šlifavimas su įprasta šonine rankena

Vibracijos emisija ($a_{h,AG}$): 8,5 m/s²

Paklaida (K): 1,5 m/s²

Darbo režimas: paviršiaus šlifavimas, naudojant

vibracijai atsparią šoninę rankeną

Vibracijos emisija ($a_{h,AG}$): 8,0 m/s²

Paklaida (K): 1,5 m/s²

Darbo režimas: šlifavimas, naudojant diską

Vibracijos emisija ($a_{h,DS}$): 2,5 m/s²

Paklaida (K): 1,5 m/s²

Modelis GA7021

Darbo režimas: paviršiaus šlifavimas su įprasta šonine rankena

Vibracijos emisija ($a_{h,AG}$): 5,0 m/s²

Paklaida (K): 1,5 m/s²

Darbo režimas: paviršiaus šlifavimas, naudojant

vibracijai atsparią šoninę rankeną

Vibracijos emisija ($a_{h,AG}$): 4,5 m/s²

Paklaida (K): 1,5 m/s²

Darbo režimas: šlifavimas, naudojant diską

Vibracijos emisija ($a_{h,DS}$): 2,5 m/s² arba mažiau

Paklaida (K): 1,5 m/s²

Modelis GA9020,GA9020S

Darbo režimas: paviršiaus šlifavimas

Vibracijos emisija ($a_{h,AG}$): 5,5 m/s²

Paklaida (K): 1,5 m/s²

Darbo režimas: šlifavimas, naudojant diską

Vibracijos emisija ($a_{h,DS}$): 2,5 m/s² arba mažiau

Paklaida (K): 1,5 m/s²

ENG902-1

- Paskelbtasis vibracijos emisijos dydis nustatytas pagal standartinį testavimo metodą ir jį galima naudoti vienam įrankiui palyginti su kitu.
- Paskelbtasis vibracijos emisijos dydis taip pat gali būti naudojamas preliminariai įvertinti vibracijos poveikį.
- Paskelbtasis keliamos vibracijos dydis galioja naudojant šį elektrinį įrankį pagrindiniams, numatytiesiems darbams atlikti. Tačiau, jeigu įrankis naudojamas kitiems darbams atlikti, keliamos vibracijos dydis gali būti kitoks.

⚠️ ĮSPĖJIMAS:

- Faktiškai naudojant elektrinį įrankį, keliamos vibracijos dydis gali skirtis nuo paskelbtojo dydžio, priklausomai nuo būdų, kuriais yra naudojamas šis įrankis.
- Siekiant apsaugoti operatorių, būtina įvertinkite saugos priemones, remdamiesi vibracijos poveikio įvertinimu esant faktinėms naudojimo sąlygoms

(atsižvelgdami į visas darbo ciklo dalis, pavyzdžiui, ne tik kiek laiko įrankis veikia, bet ir kiek kartų jis yra išjungiamas bei kai jis veikia be apkrovų).

ENH101-17

Tik Europos šalims

ES atitikties deklaracija

Bendrovė „Makita“ atsakingai pareiškia, kad šis įrenginys (-iai):

Mechanizmo paskirtis:

Kampinis šlifukoklis

Modelio Nr./ tipas: GA7020, GA7020S, GA7021, GA9020, GA9020S

Atitinka šias Europos direktyvas:

2006/42/EC

Yra pagaminti pagal šį standartą arba normatyvinius dokumentus:

EN60745

Techinių dokumentų pagal 2006/42/EB galima gauti iš:

Makita, Jan-Baptist Vinkstraat 2, 3070, Belgium (Belgija)

31.12.2013

000331

Yasushi Fukaya
Direktorius

Makita, Jan-Baptist Vinkstraat 2, 3070, Belgium (Belgija)

GEA010-1

Bendrieji perspėjimai darbui su elektriniais įrankiais

⚠️ **ĮSPĖJIMAS** Perskaitykite visus saugos įspėjimus ir instrukcijas. Nesilaikydami žemiau pateiktų įspėjimų ir instrukcijų galite patirti elektros smūgį, gaisrą ir/arba sunkų sužeidimą.

Išsaugokite visus įspėjimus ir instrukcijas, kad galėtumėte jas peržiūrėti ateityje.

GEB033-7

SAUGOS ĮSPĖJIMAI DĖL ŠLIFUOTUVO NAUDOJIMO

Bendri saugos įspėjimai atliekant šlifavimo, šlifavimo šlifavimo popieriumi, šveitimo vieliniu šepetėliu ir abrazyvinio pjaustymo darbus:

1. Šis elektrinis įrankis skirtas naudoti kaip šlifavimo staklės, šlifuo tuvas šlifavimo popieriumi, vielinis šepetys ar pjaustymo įrankis. Skaitkite visus prieš šio elektrinio įrankio pridėtus saugos įspėjimus,

- instrukcijas, iliustracijas ir techninius reikalavimus. Dėl žemiau pateiktų instrukcijų nesilaikymo gali kilti elektros smūgio, gaisro ir / arba sužeidimo pavojus.
- Su šiuo elektriniu įrankiu nerekomenduojama atlikti tokių darbų kaip poliravimas.** Jei elektrinis įrankis naudojamas ne pagal paskirtį, gali kilti pavojus ir galima susižeisti.
 - Nenaudokite priedų, kurie nėra specialiai sukurti ir rekomenduojami įrankio gamintojo.** Vien dėl to, kad priedą įmanoma pritaisyti prie jūsų elektrinio įrankio, tai negali užtikrinti saugios eksploatacijos.
 - Nominalusis priedo greitis turi būti bent jau lygus maksimaliam greičiui, nurodytam ant elektrinio įrankio.** Priedai, kurie veikia greičiau už nominalųjį greitį, gali sulūžti ir atsiskirti.
 - Jūsų priedo išorinis skersmuo bei storumas neturi viršyti jūsų elektrinio įrankio talpos duomenų.** Neteisingai išmatuoti priedai negali būti pakankamai saugomi ir valdomi.
 - Srieginių priedų jungiamoji dalis privalo atitikti šlifuko veleno sriegį.** Priedų, montuojamų naudojant junges, angos velenai dydis privalo tiksliai atitikti jungės fiksavimo skersmenį. Priedai, kurių dydis neatitinka elektrinio įrankio dalių, prie kurių jie yra montuojami, dydžio, išbalansuos įrankį, sukels pernelyg didelę vibraciją bei įrankio valdymo praradimą.
 - Nenaudokite pažeistų priedų.** Kiekvieną kartą prieš naudodami įrankį patikrinkite jo priedus, pvz., ar šlifavimo diskai nenudaužyti ir nesutrūkę, ar nėra atraminį padėklų įtrūkių, plyšių ar jie ne per daug nusidėję, ar nėra iškritusių vielinio šepetio vielų ir ar jos nenulūžusios. Jei elektrinis įrankis ar jo priedas buvo numestas, patikrinkite, ar nėra pažeidimų arba naudokite nepažeistą priedą. Patikrinę ir sumontavę priedą patys būkite ir aplinkiniams nurodykite būti toliau nuo besisukančių priedų ir paleiskite įrankį veikti didžiausiu nulinės apkrovos greičiu 1 minutę. Paprastai sugadinti priedai tokio patikrinimo metu iškrenta.
 - Dėvėkite asmeninės apsaugos aprangą.** Priklausomai nuo pritaikymo, naudokite apsauginį veido skydelį, tamsius arba apsauginius akinius. Kaip pridera, dėvėkite priešdulkinę puskaukę, klausos apsaugą, pirštines ir dirbtuvės prijuostę, sulaikančią smulkius abrazyvus ar ruošinio skeveldras. Akių apsauga turi sulaikyti skriejančias nuolaužas, susidariusias įvairių operacijų metu. Priešdulkinė puskaukė arba respiratorius turi filtruoti dalelytes, susidariusias jums vykdant operacijas. Dėl intensyvaus ilgalaikio triukšmo galima prarasti klausą.

- Laikykitė stebintiūsios toliau nuo darbo vietos.** Kiekvienas, užėinantis į darbo vietą, turi dėvėti asmeninę apsaugos aprangą. Ruošinio ar sulūžusio priedo skeveldros gali nuskrieti toliau ir sužeisti asmenis už tuo metu vykdomos operacijos zonos.
- Atlikdami darbus, kurių metu pjovimo antgalis galėtų užkliudyti nematomą laidą arba savo paties laidą, laikykite elektrinius įrankius tik už izoliuotų paviršių.** Pjovimo antgaliai prisilietus prie „gyvo“ laido, neizoliuotos metalinės elektrinio įrankio dalys gali sukelti elektros smūgį ir nutrenkti operatorių.
- Saugiai atitraukite laidą nuo greitai besisukančio priedo.** Jei netektumėte savitvardos, galite perkirsti ar užkliudyti laidą, o jūsų plaštaką arba ranką gali įtraukti greitai besisukantis priedas.
- Niekada nepadėkite šio elektrinio įrankio, kol jo priedas nėra visiškai sustojęs.** Greitai besisukantis priedas gali užkabinti paviršių ir jūs galite nebesuvaldyti elektrinio įrankio.
- Nenaudokite elektrinio įrankio laikydami jį sau prie šono.** Greitai besisukantis priedas gali atsitiktinai užkabinti jūsų drabužius ir jus sužaloti.
- Reguliariai išvalykite elektrinio ārankio oro ventiliacijos angas.** Varklio ventiliatorius traukia dulkes ā korpuso vidūr ir dėl per didelē metalo dulkiū sankaupū gali kilti su elektros āranga susijūes pavojus.
- Nenaudokite elektrinio įrankio būdami netoliese degiųjų medžiagų.** Nuo kibirkščių degiosios medžiagos gali užsidegti.
- Nenaudokite priedų, kuriems reikalingi skysti aušinimo skysčiai.** Naudojant vandenį ar kitą skystį gali iširti mirtina elektros trauma ar elektros smūgis.

Atatrankos ir su ja susiję spėjimai

Atatranka yra staigi reakcija į suspaustą arba sugriebtą besisukančią diską, atraminį padėklą, šepetį ar kitą priedą. Suspaudimas arba sugriebimas sukelia staigų besisukančio priedo sulaikymą, dėl kurio nevaldomas elektrinis įrankis sulaikymo taške verčiamas judėti priešinga priedo sukimuisi kryptimi. Pavyzdžiui, jeigu šlifavimo diską suspaudžia ruošinys, disko kraštas, kuris patenka į suspaudimo tašką, gali atsibesti į medžiagos paviršių ir dėl to diskas atšoks. Diskas gali atšokti į operatorių arba nuo jo; tai priklauso nuo disko sukimosi krypties suspaudimo metu. Šlifavimo diskas tokiomis sąlygomis gali ir sulūžti. Atatranka yra piktinaudpiavimo elektriniu ārankiu ir (arba) netinkamū darbo procedūrū ar sąlygū rezultatas, jos galima iūvengti vadovaujantis toliau nurodytomis atsargumo priemonėmis.

- Tvirtai laikykite elektrinį įrankį ir stovėkite taip, kad jūsų kūnas bei ranka netrukdytų priešintis atatrankos jėgoms.** Visada naudokite papildomą rankeną, jei tokia yra, kad

įjungimo metu galėtumėte maksimaliai valdyti atatranką ar sukamojo momento reakcijas. Operatorius gali valdyti sukamojo momento reakciją bei atatrankos jėgą, jei imasi atitinkamų atsargumo priemonių.

b) **Niekada nelaikykite rankos šalia besisukančio priedo.** Priedas gali atsitrenkti į jūsų ranką.

c) **Nebūkite toje zonoje, á kurią elektrinis árankis judės, jei atatranka ávyks.** Atatranka pastums áranká priešinga disko sukimuisi kryptimi suspaudimo taðke.

d) **Ypatingai saugokitės apdirbdami kampus, ástrius kraštus ir t.t. Stenkitės priedo nesutrenkti ir neužkliudyti.** Besisukantis priedas gali užsikabinti ar atsitrenkti į kampus, ástrius kraštus ir sukelti atatranką, o dėl to galima nebesuvaldyti įrankio.

e) **Nenaudokite pjūklo grandinės su medį raizančiais ášmenimis ar dantytos pjūklo grandinės.** Tokie ášmenys gali sukelti dažnas atatrankas ir valdymo praradimą.

Specialūs saugos įspėjimai atliekant šlifavimo ir abrazyvinio pjaustymo darbus:

a) **Naudokite tik tuos diskus, kurie rekomenduojami naudoti su jūsų elektriniu įrankiu, ir specialią tam diskui skirtą apsaugą.** Diskai, kurie netinka elektriniam įrankiui, negali būti tinkamai apsaugoti ir yra nesaugūs.

b) **Sumontuotų diskų su įspaustu centru šlifavimo paviršius privalo būti žemiau apsauginio gaubto krašto plokštumos.** Netinkamai sumontuotas diskas, kuris kyšo pro apsauginio gaubto krašto plokštumą, negali būti tinkamai apsaugotas.

c) **Apsauginis gaubtas turi būti tinkamai pritvirtintas prie elektrinio įrankio ir didžiausio saugumo sumetimais uždėtas, kad kuo mažesnė disko dalis galėtų paveikti operatorių.** Apsauginis gaubtas padeda apsaugoti operatorių nuo atskilusių disko dalelių ir netyčinio prisilietimo prie disko bei žiežirbų, kurios gali uždegti drabužius.

d) **Diskai turi būti naudojami tik pagal rekomenduojamą paskirtį. Pavyzdys: nešlifukite pjovimo disko šonu.** Abrazyviniai pjovimo diskai skirti periferiniam galandimui, šoninės jėgos juos gali suskaldyti.

e) **Visada naudokite tik nesugadintas diskų junges – pasirinktam diskui tinkamo dydžio bei formos.** Tinkamos diskų jungės prilaiko diską, mažindamos disko trūkimo galimybę. Pjovimo diskams skirtos jungės gali būti visai kitokios nei šlifavimo diskų jungės.

f) **Nenaudokite nuo galingų įrankių nuimtus nusidėvėjusių diskų.** Didesniems elektriniams įrankiams skirti diskai netinka greičiau besisukančiam mažesniai įrankiui: jie gali sutrūkinėti į tūkstančius dalių.

Papildomi specialūs saugos įspėjimai atliekant abrazyvinio pjaustymo darbus:

a) **Nesukelkite pjovimo disko strigties ir nenaudokite per didelio spaudimo.** Nesistenkite padaryti itin gilaus pjūvio. Per didelis spaudimas padidina apkrovą ir disko pjūvyje persikreipimo ar upstrigimo tikimybę bei atatrankos ar disko lūpimo galimybę.

b) **Nebūkite besisukančio disko zonoje.** Kai diskas veikimo metu juda nuo jūsų kūno, galima atatranka gali pastumti besisukančią diską ir elektrinį įrankį tiesiai į jus.

c) **Kai diskas užstrigo arba kai pjovimas dėl kitų priežasčių nutraukiamas, išjunkite elektrinį įrankį ir nejudinkite jo, kol diskas visiškai nenustos sukstis.** Niekada nebandykite išimti pjovimo disko iš pjūvio, kai diskas sukasi, nes gali susidaryti atatranka. Ištrirkite ir imkitės tinkamų veiksmų, kad pašalintumėte disko užstrigimo priežastį.

d) **Nepradėkite iš naujo pjauti, kai diskas ruošinyje. Leiskite, kad diskas pasiektų visą greitį ir tik tada atsargiai įleiskite jį į pjūvį.** Diskas gali įstrigti, iššokti arba atšokti, jeigu elektrinis įrankis bus iš naujo paleistas diskui esant ruošinyje.

e) **Plokštes ar kitus per didelio dydžio ruošinius paremkite ir taip sumažinkite pavojų, kad diskas bus suspaustas ir atšoks.** Dideli ruošiniai linksta dėl savo pačių svorio. Atramas reikia dėti po ruošiniu netoli pjovimo linijos ir greta ruošinio briaunos iš abiejų disko pusių.

f) **Būkite ypač atsargūs, kai darote „kiðeniną“ pjūvą sienose ar kituose aklinuose plotuose.** Išsikiðantis diskas gali perpjauti dujò ar vandens vamzdþius, elektros laidus ar objektus, kurie gali sukelti atatranká.

Specialūs saugos įspėjimai atliekant šlifavimo darbus šlifavimo popieriumi:

a) **Nenaudokite itin didelio dydžio šlifavimo disko popieriaus.** Laikykities gamintojo rekomendacijų, kai renkatės šlifavimo popierių. Didesnis šlifavimo popierius, kuris išsikiša už šlifavimo padėklo ribų, gali sukelti įplėšimo pavojų, dėl to gali lūžti diskas arba įvykti atatranka.

Specialūs saugos įspėjimai dirbant su vieliniu šepėčiu:

a) **Įsidėmėkite, kad vielos šereliai krenta iš šepėčio netgi įprasto naudojimo metu.** Nespauskite per daug šerelių, naudodami didelę jėgą šepėčiui. Vieliniai šereliai gali lengvai pradurti ploną drabužį ir / arba odą.

b) **Jeigu rekomenduojama naudoti šepėčio apsaugą, neleiskite, kad vielinis diskas ar šepetys būtų naudojami be apsaugos.** Vielinio disko ar šepėčio skersmuo dėl darbinio krūvio ir išcentrinų jėgų poveikio gali padidėti.

Papildomi saugos perspėjimai:

17. Naudodami nuspaustus centrinius šlifavimo diskus, būtinai naudokite tik stiklo pluoštu sustiprintus diskus.
18. Su šiuo šliuokliu NIEKADA NENAUDOKITE taurelės formos akmeninio šlifavimo disko. Šis šliuoklis nėra skirtas naudoti su šio tipo diskais, todėl naudojant tokį gaminį galima sunkiai susižeisti.
19. Nepažeiskite veleno, jungės (ypač montavimo paviršiaus) ir fiksavimo galvutės. Dėl šių dalių pažeidimų gali lūžti diskas.
20. Prieš įjungdami jungiklį patikrinkite, ar diskas nesiliečia su ruošiniu.
21. Prieš naudodami įrankį darbui su tikru ruošiniu, kurį laiką įrankį palaikykite įjungtą. Stebėkite, ar nėra vibracijos ar klibėjimo, rodančio blogą surinkimą ar blogai subalansuotą diską.
22. Šlifavimui naudokite nurodyto paviršiaus diską.
23. Nepalikite veikiančio įrankio. Naudokite įrankį tik laikydami rankomis.
24. Nelieskite ruošinio iškart po naudojimo; jis gali būti itin karštas ir nudeginti odą.
25. Laikykitės gamintojo nurodymų apie teisingą diskų uždėjimą ir naudojimą. Su diskais elkitės ir juos laikykite rūpestingai.
26. Nenaudokite atskirų mažinimo įvorių arba adapterių, skirtų didelių skylių abrazyviniams diskams uždėti.
27. Naudokite tik šiam įrankiui nurodytas junges.
28. Jei naudojate įrankius, kuriems skirti diskai su sriegiu, įsitikinkite, kad sriegis diske yra pakankamai ilgas, kad tiktų veleno ilgis.
29. Patikrinkite, ar ruošinys yra tinkamai palaikomas.
30. Atkreipkite dėmesį, kad išjungus įrankį diskas toliau sukasi.
31. Jei darbo vieta yra ypač karšta ir drėgna, arba labai užteršta laidžiomis dulkėmis, naudokite užtrumpinimo pertraukiklį (30 mA), kad užtikrintumėte naudojimo saugumą.
32. Nenaudokite įrankio su bet kokiomis medžiagomis, kuriose yra asbesto.
33. Kai naudojate pjovimo diską, visuomet dirbkite su dulkes renkančia disko apsauga, kurios reikalauja vietinės taisyklės.
34. Pjovimo diskų negalima spausti iš šonų.

SAUGOKITE ŠIAS INSTRUKCIJAS.

⚠️ ĮSPĖJIMAS:

NELEISKITE, kad patogumas ir gaminio pažinimas (įgyjamas pakartotinai naudojant) susilpnintų griežtą saugos taisyklių, taikytinų šiam gaminiui, laikymąsi. Dėl NETINKAMO NAUDOJIMO arba saugos taisyklių nesilaikymo, kurios pateiktos šioje instrukcijoje galima rimtai susižeisti.

⚠DĖMESIO:

- Prieš reguliuodami įrenginį arba tikrindami jo veikimą visada patikrinkite, ar įrenginys išjungtas, o laido kištukas - ištrauktas iš elektros lizdo.

Ašies fiksatorius

Pav.1

⚠DĖMESIO:

- Niekada nejunkite ašies fiksatoriaus, kai velenas juda. Tokiu būdu galima sugadinti įrankį.

Paspauskite ašies fiksatorių, kad velenas nesisuktų, kai dedate ar nuimate priedus.

Jungiklio veikimas

⚠DĖMESIO:

- Prieš jungdami įrenginį visada patikrinkite, ar jungiklis gerai išjunga, o atleistas grįžta į padėtį OFF (išjungta).
- Kai įrankis naudojamas ilgą laiką tarpą, operatoriaus patogumui jungiklį galima užfiksuoti „ON“ (Ijungta) padėtyje. Būkite atsargūs, užfiksuodami įrankį „ON“ padėtyje ir tvirtai laikykite įrankio rankeną.

Pav.2

Įrankiui su fiksavimo jungikliu

(Europos rinkai skirtuose įrankiuose nėra)

Norėdami įjungti įrankį, tiesiog paspauskite gaiduką (B kryptimi). Norėdami sustabdyti, atleiskite gaiduką. Norėdami dirbti be sustojimo, patraukite gaidyką (B kryptimi) ir pastumkite fiksavimo svirtį (A kryptimi). Įrankiui sustabdyti iš fiksuotos padėties, paspauskite gaiduką iki galo (B kryptimi), po to atleiskite jį.

Įrankiui su fiksuotai išjungtu jungikliu

Fiksavimo svirtelė yra skirta gaiduko apsaugai nuo atsitiktinių paspaudimų.

Jei norite įjungti įrankį, stumkite fiksavimo svirtelę (A kryptimi), po to patraukite gaiduką (B kryptimi). Norėdami sustabdyti, atleiskite gaiduką.

Įrankiui su fiksavimo ir atlaisvinimo jungikliu

(Europos rinkai skirtuose įrankiuose nėra)

Fiksavimo svirtelė yra skirta gaiduko apsaugai nuo atsitiktinių paspaudimų.

Jei norite įjungti įrankį, įspauskite fiksavimo svirtį (A kryptimi) ir tada patraukite gaiduką (B kryptimi). Norėdami sustabdyti, atleiskite gaiduką.

Kad įrenginys neišjungtų, pastumkite fiksavimo svirtį (A kryptimi), patraukite gaiduką (B kryptimi), po to stumkite fiksavimo svirtį (A kryptimi).

Jeigu norite, kad įrankio gaidukas nebūtų užfiksuotas, paspauskite jį iki galo (B kryptimi) ir atleiskite.

PASTABA:

Įjungus, modeliai GA7020S, GA9020S, GA7020SF ir GA9020SF iš pradžių veikia lėtai. Šis tolygus įjungimas užtikrina sklandesnį veikimą ir mažesnį operatoriaus nuovargį.

⚠DĖMESIO:

- Prieš taisydami įrenginį visada patikrinkite, ar jis išjungtas, o laido kištukas - ištrauktas iš elektros lizdo.

Šoninės rankenos montavimas

Pav.3

⚠DĖMESIO:

- Prieš naudodami visuomet įsitinkite, kad šoninė rankena yra patikimai uždėta.

Prisukite šoninę rankeną patikimai jos vietoje, kaip parodyta paveikslėlyje.

Apsauginio gaubto uždėjimas arba nuėmimas (diskui su įgaubtu centru, universaliam diskui, vieliniam, disko formos

šepetėliui/šlifuojamajam pjovimo diskui, deimantiniam diskui)

⚠ĮSPĖJIMAS:

- Kai naudojate šlifavimo diską su įgaubtu centru/universalų diską, lankstųjį diską arba vielinį šepetėlį, apsauginis disko gaubtas turi būti uždėtas ant įrankio taip, kad uždaras apsauginio gaubto šonas visuomet būtų atsuktas į operatorių.
- Naudodami šlifuojamąjį pjovimo/deimantinį diską, būtinai naudokite tik specialų apsauginį gaubtą, skirtą naudoti su pjovimo diskais. (Tam tikrose Europos šalyse naudojant deimantinį diską, galima naudoti įprastą apsauginį gaubtą. Vadovaukitės jūsų šalyje galiojančiomis taisyklėmis.)

Įrankiui su fiksuojamo varžto tipo disko apsauga

Pav.4

Uždėkite disko apsaugą su išsikišimu ant rato apsauginės juostos, kad būtų sulgyuotas su įranta ties guolių dėže. Tada pasukite disko apsaugą tokiu kampu, kad ji galėtų apsaugoti operatorių darbo metu. Būtinai patikimai priveržkite varžtą.

Jei norite išimti disko saugiklį, laikykitės montavimo procedūros atvirkščia tvarka.

Įrankiui su suveržimo svirties tipo disko apsauga

Pav.5

Pav.6

Atlaisvinkite svirtelę, esančią ant disko apsaugos. Uždėkite disko apsaugą ant disko apsauginės juostos, išsikišimą sulgyinę su įranta ties guolių dėže. Tuomet apsukite disko saugiklį į paveikslėlyje parodytą padėtį. Užveržkite svirtelę, kad užtvirtintumėte disko apsaugą. Jeigu svirtelė yra per daug arba per mažai užveržta, kad galėtų užtvirtinti disko apsaugą, atsuktuvu atsukite arba priveržkite veržlę, kad pareguliuotumėte disko apsauginės juostos užveržimą.

Jei norite išimti disko saugiklį, laikykitės montavimo procedūros atvirkščia tvarka.

Šlifavimo disko / Multi disko (priedas) uždėjimas ir nuėmimas

Pav.7

Uždėkite vidinį kraštą ant veleno. Uždėkite diską ant vidinio krašto ir prisukite fiksatoriaus galvutę ant veleno. Jei norite priveržti fiksavimo galvutę, stipriai paspauskite ašies fiksatorių taip, kad velenas negalėtų sukstis, tada pasinaudokite fiksavimo galvutės raktu ir patikimai priveržkite pagal laikrodžio rodyklę.

Pav.8

Jei norite nuimti diską, laikykitės uždėjimo procedūros atvirkščia tvarka.

Super jungė

Modeliuose GA7020F, GA7020SF, GA9020F ir GA9020SF standartiška sumontuotas papildomas flanšas. Fiksavimo veržlei atsukti tereikia tik 1/3 pastangų, palyginus su pastangomis, kurių reikia įprastai veržlei atsukti.

PASTABA:

- Tik įrankiams su veleno sriegiu M14.

Šlifavimo disko (pasirenkamo priedo) uždėjimas arba nuėmimas

PASTABA:

- Naudokite šiame vadove išvardintus papildomus šlifavimo priedus. Juos reikia įsigyti atskirai.

Pav.9

Uždėkite ant ašies guminių padą. Uždėkite šlifuojamąjį diską ant guminio pado ir prisukite fiksatoriaus veržlę ant veleno. Jei norite priveržti fiksavimo galvutę, stipriai paspauskite ašies fiksatorių taip, kad velenas negalėtų sukstis, tada pasinaudokite fiksavimo galvutės raktu ir patikimai priveržkite pagal laikrodžio rodyklę.

Jei norite nuimti diską, laikykitės uždėjimo procedūros atvirkščia tvarka.

NAUDOJIMAS

⚠️ ĮSPĖJIMAS:

- Dirbant su įrankiu niekada nereikėtų naudoti jėgos. Įrankio svoris sukelia pakankamą spaudimą. Jėgos naudojimas ir per didelis spaudimas kelia pavojingo disko lūžimo pavojų.
- VISUOMET pakeiskite diską, jei įrankis iškrito šlifavimo metu.
- NIEKADA nedaužykite šlifavimo disko į ruošinį.
- Venkite disko atšokimų ir užkliuvimų, ypač kai apdorojate kampus, aštrius kraštus ir t. t. Dėl to galima nesuvaldyti įrankio ir jis gali atšokti.

- NIEKADA nenaudokite įrankio su medžio pjovimo ašmenimis ir kitais pjūklais. Tokie ašmenys naudojant su šlifuoekliu dažnai atšoka, dėl to nesuvaldomas įrankis ir galima susižeisti.

⚠️ DĖMESIO:

- NIEKADA nejunkite įrankio, kai jis liečiasi su ruošiniu, - įrankio naudotojas gali susižeisti.
- Dirbdami visuomet dėvėkite apsauginius akinius arba veido skydelį.
- Panaudoję įrankį visuomet jį išjunkite ir prieš padėdami įrankį palaukite, kol diskas visiškai sustos.

Šlifavimas ir šlifavimo švitrinio popieriumi

VISUOMET tvirtai laikykite įrankį viena ranka ant galinės rankenos ir kita ant šoninės rankenos. Įjunkite įrankį ir tada diską apdirbkite ruošinį.

Apskritai, laikykite disko kraštą apie 15 laipsnių kampą į ruošinio paviršių.

Naujo disko apšilimo laikotarpiu nedirbkite šlifuo tuvu kryptimi B arba jis įpjaus ruošinį. Kai disko kraštas suapvalėja nuo naudojimo, disku galima dirbti abiem - A ir B - kryptimis.

Pav.10

Vielinio, taurelės formos šepetėlio (pasirenkamo priedo) naudojimas

⚠️ DĖMESIO:

- Patikrinkite, kaip veikia šepetėlis, paleidę įrankį veikti be apkrovų ir įsitikinę, kad niekas nestovi priešais arba vienoje linijoje su šepetėliu.
- Nenaudokite apgadinto arba išbalansuoto šepetėlio. Naudojant apgadintą šepetėlį, galima susižeisti, prisilietus prie aplūžusių šepetėlio vielų.

Pav.11

Išjunkite įrankį iš maitinimo tinklo ir padėkite jį apverstai, kad lengvai pasiektumėte veleną. Nuimkite nuo veleno visus priedus. Uždėkite ant veleno vielinį, taurelės formos šepetėlį ir priveržkite jį pateiktuju veržliarakčiu. Naudodami šepetėlį, pernelyg nespauskite, kad vielelės nesulinktų ir nesulūžtų pirma laiku.

Vielinio, disko formos šepetėlio (pasirenkamo priedo) naudojimas

⚠️ DĖMESIO:

- Patikrinkite, kaip veikia vielinis, disko formos šepetėlis, paleidę įrankį veikti be apkrovų ir įsitikinę, kad niekas nestovi priešais arba vienoje linijoje su vieliniu, disko formos šepetėliu.
- Nenaudokite apgadinto arba išbalansuoto vielinio, disko formos šepetėlio. Naudojant apgadintą vielinį, disko formos šepetėlį, galima susižeisti, prisilietus prie aplūžusių šepetėlio vielų.
- Naudodami vielinius, disko formos šepetėlius, VISADA naudokite apsauginį gaubtą, kuriame tilptų atitinkamo skersmens diskas. Naudojimo metu diskas gali subyrėti, o apsauginis gaubtas sumažina galimybę susižeisti.

Pav.12

Išjunkite įrankį iš maitinimo tinklo ir padėkite jį apvestai, kad galėtumėte lengvai pasiekti veleną. Nuimkite nuo veleno visus priedus. Užsukite vielinį, disko formos šepetėlį ant veleno ir priveržkite veržliarakčiais. Naudodami vielinį, disko formos šepetėlį, perlengv nespauskite, kad vielelės nesulinktų ir nesulūžtų pirma laiko.

Šlifuojamojo pjovimo disko/deimantinio disko (pasirenkamo priedo) naudojimas

⚠️DĖMESIO:

- Naudodami šlifuojamąjį pjovimo/deimantinį diską, būtina naudoti tik specialų apsauginį gaubtą, skirtą naudoti su pjovimo diskais. (Tam tikrose Europos šalyse naudojant deimantinį diską, galima naudoti įprastą apsauginį gaubtą. Vadovaukitės jūsų šalyje galiojančiomis taisyklėmis.)
- NIEKADA nenaudokite pjovimo disko šonams šlifuoti.
- Neužstrigdykite disko ir per daug jo nespauskite. Nesistenkite padaryti itin gilaus pjūvio. Per didelis spaudimas padidina apkrovą disko pjūvyje, persikreipimo ar užstrigimo tikimybę bei atatrakos, disko lūžimo ir motoro perkaitimo galimybę.
- Nepradėkite pjauti ruošinyje. Leiskite, kad diskas pasiektų visą greitį, ir tik tada atsargiai įleiskite jį į pjūvį, stumdami jį pirmyn ruošinio paviršiuje. Diskas gali įstrigti, iššokti arba atšokti, jeigu elektrinis įrankis yra paleistas diskui esant ruošinyje.
- Pjaudami niekada nekeiskite disko kampo. Spaudžiant pjovimo diską iš šono (pvz., šlifuojant) diskas gali įtrūkti ar sulūžti, sukeldamas pavojų susižeisti.
- Deimantinį diską reikia naudoti tik nukreipus jį statmenai pjaunamai medžiagai.

Uždėkite vidinį kraštą ant veleno. Uždėkite diską ant vidinio krašto ir prisukite fiksatoriaus galvutę ant veleno.

Pav.13

Australijai ir Naujajai Zelandijai

Šlifuojamojo pjovimo disko/deimantinio disko (pasirenkamo priedo) montavimas arba nuėmimas

Pav.14

TECHNINĖ PRIEŽIŪRA

⚠️DĖMESIO:

- Prieš apžiūrėdami ar taisydami įrenginį visada patikrinkite, ar jis išjungtas, o laido kištukas - ištrauktas iš elektros lizdo.
- Niekada nenaudokite gazolino, benzino, tirpiklio, spirito arba panašių medžiagų. Gali atsirasti išblukimų, deformacijų arba įtrūkimų.

Prižiūrėkite, kad įrankis ir jo oro angos būtų švarios. Reguliariai išvalykite įrankio oro angas arba kai angos pradeda kimštis.

Pav.15

Anglinių šepetėlių keitimas

Pav.16

Kai guminis izoliacinis galiukas anglinio šepetėlio viduje susiliečia su komutatoriumi, variklis yra automatiškai išjungiamas. Kai tai įvyksta, reikėtų pakeisti abu anglinius šepetėlius. Laikykite anglinius šepetėlius švarius ir laisvai įslenkančius į laikiklius. Abu angliniai šepetėliai turėtų būti keičiami tuo pačiu metu. Naudokite tik identiškus anglinius šepetėlius.

Jei norite nuimti šepetėlių laikiklių dangtelius, pasinaudokite atsuktuvu. Išimkite sudėvėtus anglinius šepetėlius, įdėkite naujus ir įtvirtinkite šepetėlių laikiklio dangtelį.

Pav.17

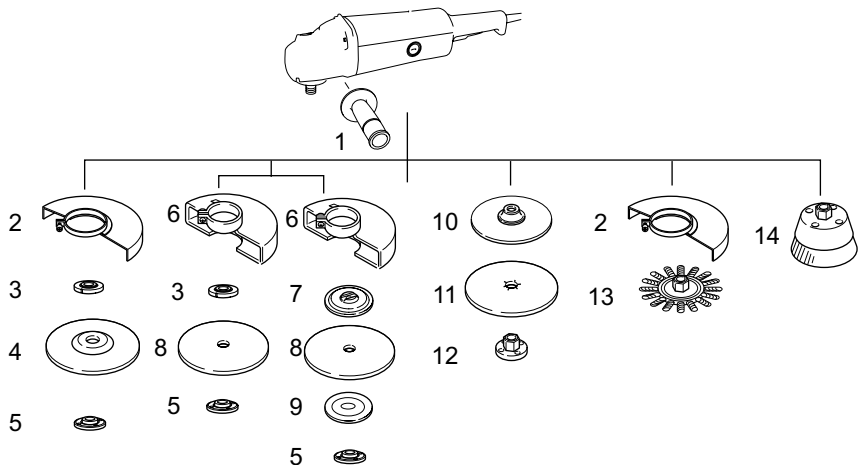
Kad gamins būtų SAUGUS ir PATIKIMAS, jį taisyti, apžiūrėti ar vykdyti bet kokią kitą priežiūrą ar derinimą turi įgaliotasis kompanijos „Makita“ techninės priežiūros centras; reikia naudoti tik kompanijos „Makita“ pagamintas atsargines dalis.

PASIRENKAMI PRIEDAI

⚠️DĖMESIO:

- Su šiame vadove aprašytu įrenginiu „Makita“ rekomenduojama naudoti tik nurodytus priedus ir papildomus įtaisus. Jeigu bus naudojami kitokie priedai ar papildomi įtaisai, gali būti sužaloti žmonės. Priedus arba papildomus įtaisus naudokite tik pagal paskirtį.

Jeigu norite daugiau sužinoti apie tuos priedus, kreipkitės į artimiausią „Makita“ techninės priežiūros centrą.



1	Šoninė rankena
2	Apsauginis disko gaubtas šlifavimo diskui su įgaubtu centru / daugiafunkciam diskui / diskiniam vieliniam šepetėliui
3	Vidinė jungė / papildoma jungė *1*2
4	Nuspaustas centrinis šlifavimo diskas / Multi diskas
5	Antveržlė/įtaisas „Ezynut“ *1*2
6	Apsauginis gaubtas šlifuojamajam pjovimo diskui/deimantiniam diskui *3
7	Vidinė jungė 78 (tik Australijai ir Naujajai Zelandijai) *4
8	Šlifuojamasis pjovimo diskas/deimantinis diskas
9	Išorinė jungė 78 (tik Australijai ir Naujajai Zelandijai) *4
10	Guminis padas
11	Šlifavimo diskas
12	Šlifavimo antveržlė
13	Vielinis, disko formos šepetėlis
14	Vielinis, taurelės formos šepetėlis
—	Fiksavimo galvutės raktas
—	Papildoma apsauginio gaubto nuo dulkių dalis

*1 Tik įrankiams su veleno sriegiu M14.

*2 Nenaudokite papildomos jungės ir veržlės Ezynut kartu.

*3 Kai kuriose Europos šalyse naudojant deimantinį diską, vietoje specialaus apsauginio gaubto, dengiančio abu disko kraštus, galima naudoti įprastą apsauginį gaubtą. Vadovaukitės jūsų šalyje galiojančiomis taisyklėmis.

*4 Vidinė jungė 78 ir išorinė jungė 78 naudokite kartu. (Tik Australijai ir Naujajai Zelandijai)

013353

PASTABA:

- Kai kurie sąraše esantys priedai gali būti pateikti įrankio pakuotėje kaip standartiniai priedai. Jie įvairiose šalyse gali skirtis.

Üldvaate selgitus

1-1. Völlilukk	7-2. Lohkus keskosaga ketas	13-4. Lihvketta/teemantketta kettakaitse
2-1. Lülitri päästik	7-3. Superflanš	14-1. Fiksaatormutter
2-2. Lukustushoob	7-4. Sisemine flanš	14-2. Välimine flanš 78
4-1. Kettapiire	8-1. Fiksaatornutri võti	14-3. Lihvketas/teemantketas
4-2. Krui	8-2. Völlilukk	14-4. Sisemine flanš 78
4-3. Laagriümbri	9-1. Fiksaatormutter	14-5. Lihvketta/teemantketta kettakaitse
5-1. Kettapiire	9-2. Lihvketas	15-1. Väljalaskeventiil
5-2. Laagriümbri	9-3. Kummist tugiketas	15-2. Sissetõmbeventiil
5-3. Mutter	11-1. Traatidega kausshari	16-1. Kommutaator
5-4. Hoob	12-1. Ketastraathari	16-2. Isoleerotsak
6-1. Mutter	13-1. Fiksaatormutter	16-3. Süshari
6-2. Hoob	13-2. Lihvketas/teemantketas	17-1. Harjahoidiku kate
7-1. Fiksaatormutter	13-3. Sisemine flanš	17-2. Kruikeeraja

TEHNILISED ANDMED

Mudel	GA7020	GA7020S	GA7021	GA9020	GA9020S
Lohkus keskosaga ketta diameeter	180 mm		180 mm	230 mm	
Maksimaalne ketta paksus	6,5 mm	6,5 mm	6,5 mm	6,5 mm	6,5 mm
Võlli keerrestus	M14 või 5/8" (sõituvalt riigist)		M14 või 5/8" (sõituvalt riigist)	M14 või 5/8" (sõituvalt riigist)	
Nominaalne pöörlemissagedus (n) / pöörlemissagedus koormuseta (n_0)	8 500 min ⁻¹		6 600 min ⁻¹	6 600 min ⁻¹	
Kogupikkus	473 mm		473 mm	473 mm	
Netomass	5,5 kg	5,7 kg	5,5 kg	5,8 kg	5,9 kg
Kaitseklass	□/II				

• Meie jätkuva teadus- ja arendustegevuse programmi tõttu võidakse siin antud tehnilisi andmeid muuta ilma ette teatamata.

- Tehnilised andmed võivad olla riigiti erinevad.
- Kaal vastavalt EPTA protseduurile 01/2003

ENE048-1

ENG905-1

Kasutuse sihtotstarve

Tööriist on ette nähtud metallide ja kivimaterjali veeta käimiseks, lihvimiseks ja lõikamiseks.

ENF002-2

Toiteallikas

Seadet võib ühendada ainult andmesildil näidatud pingele vastava pingega toiteallikaga ning seda saab kasutada ainult ühefaasilisel vahelduvvoolutoitel. Seadmel on kahekordne isolatsioon ning seega võib seda kasutada ka ilma maandusjuhtmeta pistikupesasa ühendatult.

ENF100-1

Üldise madalpinge süsteemide 220V ja 250V kohta.

Elektriaparatuuri lülitustoimingud põhjustavad voolu kõikumisi. Käesoleva seadme tööl ebasobivas vooluvõrgus võivad olla kahjustavad mõjud teiste seadmete tööle. Kui toiteliini näivtakistus on võrdne või väiksem kui 0,27 oomi, võib oletada, et negatiivsed mõjud puuduvad. Käesoleva seadme juures kasutatud toiteliini pesa on kaitstud kaitsme või aeglaselt rakenduva kaitseüliliga.

Müra

Tüüpiline A-korrigeeritud müratase vastavalt EN60745:

Müra rõhutaseme (L_{pA}): 89 dB (A)
 Müra võimsustase (L_{WA}): 100 dB (A)
 Määramatus (K): 3 dB (A)

Kandke kõrvakaitsmeid

ENG900-1

Vibratsioon

Vibratsiooni koguväärtus (kolmeteljeliste vektorite summa) määratud vastavalt EN60745:

Mudel GA7020, GA7020S

Töörežiim: pinna lihvimine tavalise külgkäepideme kasutamiseiga
 Vibratsioonitase ($a_{h,AG}$): 8,5 m/s²
 Määramatus (K): 1,5 m/s²

Töörežiim: pinna lihvimine vibratsioonikindla külgkäepideme kasutamiseiga
 Vibratsioonitase ($a_{h,AG}$): 8,0 m/s²

Määramatus (K): 1,5 m/s²

Töörežiim: ketaslihvimine
Vibratsioonitase (a_{h,DS}): 2,5 m/s²
Määramatus (K): 1,5 m/s²

Mudel GA7021

Töörežiim: pinna lihvimine tavalise külkäepideme kasutamiseks
Vibratsioonitase (a_{h,AG}): 5,0 m/s²
Määramatus (K): 1,5 m/s²

Töörežiim: pinna lihvimine vibratsioonikindla külkäepideme kasutamiseks
Vibratsioonitase (a_{h,AG}): 4,5 m/s²
Määramatus (K): 1,5 m/s²

Töörežiim: ketaslihvimine
Vibratsioonitase (a_{h,DS}): 2,5 m/s² või vähem
Määramatus (K): 1,5 m/s²

Mudel GA9020,GA9020S

Töörežiim: pinna lihvimine
Vibratsioonitase (a_{h,AG}): 5,5 m/s²
Määramatus (K): 1,5 m/s²

Töörežiim: ketaslihvimine
Vibratsioonitase (a_{h,DS}): 2,5 m/s² või vähem
Määramatus (K): 1,5 m/s²

ENG902-1

- Deklareeritud vibratsiooniemissiooni väärtus on mõõdetud kooskõlas standardse testimismeetodiga ning seda võib kasutada ühe seadme võrdlemiseks teisega.
- Deklareeritud vibratsiooniemissiooni väärtust võib kasutada ka mürataseme esmaseks hindamiseks.
- Deklareeritud vibratsiooni emissiooni väärtust kasutatakse lähtuvalt elektritööriista peamisest otstarbest. Kui tööriista kasutatakse muul otstarbel, võib vibratsiooni emissiooni väärtus olla erinev.

△HOIATUS:

- Vibratsioonitase võib elektritööriista tegelikkuses kasutamise ajal erineda deklareeritud väärtusest sõltuvalt tööriista kasutamise viisidest.
- Rakendage kindlasti operaatori kaitsmiseks piisavaid ohutusabinõusid, mis põhinevad hinnangulisel müratasemel tegelikus töösituatsioonis (võttes arvesse tööperioodi kõik osad nagu näiteks korrad, mil seade lülitatakse välja ja mil seade töötab tühikäigul, lisaks tööajale).

Ainult Euroopa riigid

EÜ vastavusdeklaratsioon

Makita deklareerib, et alljärgnev(ad) masin(ad):

Masina tähistus:

Nurklihvikäi

Mudeli nr/tüüp: GA7020, GA7020S, GA7021, GA9020, GA9020S

Vastavad alljärgnevatele Euroopa Parlamendi ja nõukogu direktiividele:

2006/42/EC

Need on toodetud vastavalt järgmistele standarditele või standardiseeritud dokumentidele:

EN60745

Tehniline fail, mis on kooskõlas direktiiviga 2006/42/EÜ, on saadaval ettevõttes:

Makita, Jan-Baptist Vinkstraat 2, 3070, Belgia

31.12.2013



000331

Yasushi Fukaya
Direktor

Makita, Jan-Baptist Vinkstraat 2, 3070, Belgia

GEA101-1

Üldised elektritööriistade ohutusohiatused

△ HOIATUS Lugege läbi kõik ohutusohiatused ja juhised. Hoiatuste ja juhiste mittejärgmine võib põhjustada elektrišokki, tulekahju ja/või tõsiseid vigastusi.

Hoidke alles kõik hoiatused ja juhised edaspidisteks viideteks.

GEB033-7

LIHVIA OHUTUSNÕUDED

Turvahoiatused Tavalised turvahoiatused lihvimiseks, poleerimiseks, terasharjamiseks või abrasiivseteks löikeoperatsioonideks.

1. See elektritööriist on mõeldud lihvimisseadme, poleerimisseadme, terasharja või lõiketööriistana kasutamiseks. Lugege kõiki turvahoiatusi, juhiseid, illustatsioone ja spetsifikatsioone, mis selle elektritööriistaga kaasas on. Kõikidest allpool loetletud juhistest mitte kinnipidamine võib põhjustada elektrišoki, tulekahju ja/või tõsiseid vigastusi.
2. Selle elektritööriistaga ei soovitata poleerida. Tööd, mille jaoks elektritööriist ei ole tehtud, võivad olla ohtlikud ja põhjustada vigastusi.
3. Ärge kasutage tarvikuid, mis pole tootja poolt selle tööriista jaoks spetsiaalselt välja

- töötatud.** Tarviku elektritööriistale kinnitamise võimalus ei taga veel selle ohutut tööd.
4. **Tarviku nimikiirus peab olema vähemalt võrdne elektritööriistale märgitud maksimaalse kiirusega.** Tarvikud, mis töötavad nimikiirusest suuremal kiirusel, võivad katki minna ja laiali lennata.
 5. **Tarviku välisdiameeter ja paksus peavad vastama elektritööriista nimivõimsusele.** Ebasobiva suurusega tarvikuid ei saa nõuetekohaselt kaitsta ega juhtida.
 6. **Tarvikute keermeskinnitus peab vastama lihvmasina võlli keerme suurusele. Äärikutega kinnitavate tarvikute korral peab tarviku võlliava sobima ääriku fikseeriva läbimõõduga.** Kui tarviku mõõdud ei sobi elektritööriista kinnitussosade mõõtudega, ei püsi need tasakaalus, vibreerivad tugevalt ning võivad põhjustada kontrolli kaotust tööriista üle.
 7. **Ärge kasutage vigast lisatarvikut.** Enne iga kasutatud kontrollige, et lihvketastel ei oleks laastu ega mörasid, et tugiketastel ei oleks mörasid, rebendeid ega liigset kulumust, et terasharjade harjased ei oleks lahtised ega purunenud. Kui elektritööriist või lisatarvik kurbu maha, kontrollige, et see ei oleks kahjustunud, või paigaldage kahjustusteta lisatarvik. Pärast lisatarviku kontrolli ja paigaldust minge koos kõrvalseisjatega pöörlevast lisatarvikust eemale ja käituge elektritööriista maksimaalsel koormusvabal kiirusel üheks minutiks. Kahjustatud lisatarvikud lähevad tavaliselt selle testi ajal katki.
 8. **Kandke isikukaitsevahendeid. Olenevalt teostatavast tööst kandke näokaitset, ohutusprille või kaitseprille. Vajadusel kandke tolmu maski, kuulmiskaitsevahendeid, kindaid ja tööpõlle, mis suudab peatada väikesi hõõrduvaid või töödeldava detaili küljest lendavaid osakesi.** Silmakaitsevahend peab suutma peatada erinevate tööprotsesside käigus tekkivaid lendavaid osakesi. Tolmu mask või respiraator peavad suutma filtreerida töö käigus tekkivaid osakesi. Pikaajaline viibimine tugeva müra käes võib põhjustada kuulmise halvenemist.
 9. **Hoidke kõrvalseisjad tööalast turvalises kauguses. Kõik, kes sisenevad tööalasse, peavad kandma kaitsevarustust.** Töödeldava detaili või tarvikute osakesed võivad eemale lennata ja põhjustada vigastusi ka väljaspool vahetat tööala.
 10. **Hoidke elektritööriista isoleeritud haardepindadest, kui töötate kohas, kus löiketera võib sattuda kokkupuutesse varjatud juhtmete või seadme enda toitejuhtmega.** Pingestatud juhtmega kokkupuutesse sattunud löikeketas võib pingestada elektritööriista metallosi, mille tagajärjel võib seadme kasutaja saada elektrilöögi.

11. **Hoidke juhe pöörlevast tarvikust eemal.** Kontrolli kaotamisel võib juhe katkeda või kinni jääda, tõmmates käe või käsivarre pöörlevasse tarvikusse.
12. **Ärge pange elektritööriista kunagi maha enne, kui tarviku liikumine pole täielikult peatunud.** Pöörlev tarvik võib pinnal liikumist jätkata, põhjustades elektritööriista väljumise teie kontrolli alt.
13. **Lülitage elektritööriist välja, kui seda oma küljel kannate.** Juhuslik kokkupuude pöörleva tarvikuga võib põhjustada riide kinnijäämist ja tarviku teie kehasse tõmmata.
14. **Puhastage elektritööriista õhuavasid regulaarselt.** Mootori ventilaator tõmbab tolmu korpusesse ja metallitolmu liigne kogunemine võib põhjustada elektriõhku.
15. **Ärge kasutage seadet tuleohtlike materjalide lähedal.** Need materjalid võivad sädemetest süttida.
16. **Ärge kasutage tarvikuid, mis nõuavad jahutusvedelikke.** Vee või teiste vedelate jahutusvahendite kasutamine võib põhjustada surmava elektrilöögi või -šoki.

Tagasilöökk ja sellega seotud hoiaülesanded

Tagasilöökk on äkiline reaktsioon väändes või pörkuva pöördketta, tugiketta, harja või muu lisatarviku puhul. Väändumine või pörkimine põhjustab kiiret pöörleva lisatarviku vääratamist, mis omakorda sunnib ühenduspunkti juhitamatut elektritööriista pöörlema vastassuunas lisatarviku pöörlemise suunale.

Näiteks kui lihvketas pörkus või kiilus töödeldava detaili külge kinni, võib ketta serv, mis siseneb kinnikiilumise kohta, tungida materjalipinda, mis põhjustab ketta väljalikumise või väljalöögi. Ketas võib kas hüpata edasi või käitajast eemale, sõltuvalt ketta liikumissuunast kinnikiilumise kohas. Lihvkettad võivad neis tingimustes samuti puruneda.

Tagasilöökk on tööriista väärkasutuse ja/või valede tööoperatsioonide või tingimuste tulemus, mida on võimalik vältida, järgides alljärgnevat asjakohaseid ettevaatusabinõusid.

- a) **Hoidke elektritööriista kindlas haardes ja seadke oma keha ja käsivars asendisse, mis võimaldab tagasilöögi juurele vastu seista. Kasutage alati abikäepidet, kui see on olemas, et tööriista käivitamisel tagasilöögi ja pöördemomendi vastumõju üle kontrolli saavutada.** Asjakohaste ettevaatusabinõude rakendamisel saab operaator tagasilöögi ja pöördemomendi vastumõju kontrollida.
- b) **Ärge pange kunagi oma kätt pöörleva tarviku lähedale.** Te võite tarvikult tagasilöögi saada.
- c) **Ärge viibige alas, kus elektritööriist võib tagasilöögi ajal liikuda.** Tagasilöökk paneb tööriista pörkekohas ketta liikumissuunale vastupidises suunas liikuma.

d) Tegutsege äärmise ettevaatlikkusega nurkade, teravate servadega jms töötamisel. Väliste tarviku tagasipõrkamist ja kinnijäämist. Nurgad, teravad servad ja tagasipõrkamine on tavaliselt nendeks teguriteks, mis võivad põhjustada pöörleva tarviku kinnijäämist ja kontrolli kaotamist või tagasilööki.

e) Äрге kinnitage tööriista külge saeketi puunikerdustera ega hambulist saetera. Niisugused terad tekitavad sageli tagasilööki ja juhitavuse kadu.

Spetsiaalsed turvahoiatused lihvimiseks ja abrasiivseteks lõikeoperatsioonideks.

a) Kasutage vaid kettatüüpe, mida teie elektritööriistale soovitatakse, ja valitud kettale mõeldud spetsiaalset piiret. Kettaid, mille jaoks elektritööriist ei olnud mõeldud, ei saa piisavalt kaitsta ja need ei ole turvalised.

b) Õhema keskosaga lihvketaste lihvpind peab jääma kaitsepiirde tasapinnast allapoole. Kui ketas on valesti paigaldatud ja ulatub kaitsepiirde tasapinnast välja, ei ole võimalik seda piisavalt kaitsta.

c) Piire peab olema kindlalt elektritööriista külge kinnitatud ja maksimaalselt turvaliselt paigutatud, nii et käitaja poole jääks kõige väiksem katmata kettapinna osa. Piire aitab käitajat kaitsta purunenud kettatükkide, kettaga juhuslikku kokkupuutesse sattumise ja rõivaid süüdata võivate sädemete eest.

d) Kettaid tohib kasutada ainult töödel, milleks need on ette nähtud. Näiteks: ärge kasutage lõikeketta külge lihvimiseks. Abrasiivsed lõikekettad on ette nähtud välislihvimiseks, neile ketastele rakendatud külgiõud võib need purustada.

e) Kasutage ainult terveid kettaäärrikuid, mis on valitud ketta jaoks sobiva suuruse ja kujuga. Sobivad kettaäärrikud toestavad ketta, vähendades ketta purunemise ohtu. Lõikeketasteäärrikud võivad lihvketasteäärriketest erineda.

f) Äрге kasutage suuremate elektritööriistade kulunud kettaid. Suurema elektritööriista jaoks tehtud ketas ei sobi väiksema tööriista suurema kiirusega ja võib puruneda.

Lisanduvad turvahoiatused abrasiivseteks lõikeoperatsioonideks.

a) Äрге „kiiluge“ lõikeketast ega rakendage liigset survet. Äрге püüdke teha ülemäärase sügavusega lõiget. Ketta ülesurvastamine suurendab koormust ja ketta väände või ühenduse tundlikkust lõikes ning tagasilöögi võimalust või ketta purunemist.

b) Äрге minge oma kehaga pöörleva kettaga ühele jonele ega selle taha. Kui ketas liigub käituse ajal teie kehast eemale, võib tõenäoline tagasilöökk pöördketast ja elektritööriista otse teie suunas liigutada.

c) Kui ketas on kinni pigistatud või segab mingil põhjusel lõikamist, lülitage elektritööriist välja ja hoidke seda liikumatult, kuni ketas peatub täielikult. Äрге kunagi püüdke eemaldada lõikeketast lõikest, kui ketas liigub, vastasel juhul võib esineda tagasilöökk. Uurige ja tehke parandused ketta kinnikiilumise põhjuse eemaldamiseks.

d) Äрге taaskäivitage tööriista töödeldavas detailis. Laske kettal jõuda täiskirusele ja sisenege hoolikalt uuesti lõikesse. Kui elektritööriist taaskäivitatakse töödeldavas detailis, võib ketas kinni kiiluda, üles kiiluda või tagasi pörkuda.

e) Lõiketera kinnikiilumise ja tagasilöögi riski minimeerimiseks toestage paneelid või suuremõtmeline detail. Suured detailid hakkavad painduma omaenese raskuse all. Toed tuleb paigutada töödeldava detaili alla lõikejoone lähedale ja tooriku serva lähedale ketta mõlemal küljel.

f) Olge eriti ettevaatlik, kui teete „sukelduslõikamist“ olemasolevates seintes või muudes varjatud piirkondades. Väljaulatuv lõiketera võib lõikuda gaasi- või veetorudesse, elektrijuhtmetesse või esemetesse, ning põhjustada tagasilöögi.

Poleerimistööde turvahoiatused.

a) Äрге kasutage liiga suurtes mõõtetes lihvketta paberit. Lihvpaberi valiku järgige tootjate soovitusi. Lihvklotsist kaugemale ulatuv suurem lihvpaber on rebenemisohtlik ja võib põhjustada ketta kinnijäämist, purunemist või tagasilööki.

Terasharjamise operatsioonide turvahoiatused.

a) Olge teadlikud, et hari viskab traatharjaseid ka tavakäituse ajal. Äрге avaldage terastraatidele liigset pinget harjale liigse koormuse rakendamisega. Terasharjased võivad lihtsalt kergesse rõivastusse ja/või nahka tungida.

b) Kui terasharjamisel soovitatakse kasutada piiret, ärge laske teraskettal ega -harjal piirdega kokku puutuda. Terasketas või -hari võib laieneda läbimõeldult töökoormuse ja tsentrifugaaljõu tõttu.

Lisaturvahoiatused:

17. Kui kasutate nõgusa keskosaga lihvkettaid, veenduge, et kasutate ainult klaaskiuga tugevdatud kettad.
18. ÄERGE KUNAGI kasutage selle lihvijaga koos kausslihvkettaid. Seda lihvijat ei kasutata koos nimetatud ketastega, sest need võivad põhjustada tõsise kehavigastuse.
19. Äрге vigastage völli, äärikut (eriti selle paigalduspinda) ega fiksaatormutrit. Nende osade kahjustused võivad ketta purustada.
20. Veenduge, et lihvketas ei puutuks enne tööriista sisselülitamist vastu töödeldavat detaili.

FUNKTSIONAALNE KIRJELDUS

21. Enne tööriista kasutamist töödeldaval detailil laske sellel mõnda aega töötada. Jälgige vibratsiooni või vibamist, mis võib tähendada ebaõiget paigaldust või halvasti tasakaalustatud ketast.
22. Lihvimist teostage selleks ettenähtud kettapinna osaga.
23. Ärge jätke tööriista käima. Käivitage tööriist ainult siis, kui hoiate seda käes.
24. Ärge puutuge töödeldavat detaili vahetult peale töötlemist; see võib olla väga kuum ja põhjustada põletushaavu.
25. Ketta õigeks paigaldamiseks ja kasutamiseks järgige valmistajapoolseid juhendeid. Käsitsege ja ladustage kettaid hoolikalt.
26. Ärge kasutage suureauguliste lihvketaste kinnitamiseks sobituspukse või adaptoreid.
27. Kasutage ainult äärikuid, mis on mõeldud kasutamiseks koos antud tööriistaga.
28. Tööriistade korral, kus kasutatakse keermestatud auguga kettaid, jälgige, et ketta kerme pikkus oleks piisav völliile kinnitamiseks.
29. Kontrollige, kas töödeldav detail on korralikult kinnitatud.
30. Pöörake tähelepanu asjaolule, et ketas jätkab pöörlemist ka peale tööriista väljalülitamist.
31. Kui töökoht on äärmiselt kuum ja niiske või tugevalt saastatud elektrit juhtiva tolmuga, siis tuleb operaatori ohutuse tagamiseks kasutada lühisvoolukaitset (30 mA).
32. Ärge kasutage tööriista asbesti sisaldavate materjalide töötlemiseks.
33. Kui töötate lõikekettaga, siis kasutage alati tolmuemaldusega ketta kaitset, mis vastab kohalikele eeskirjadele.
34. Lõikekettaid ei tohi külgsuunas suruda.

HOIDKE JUHEND ALLES.

△HOIATUS:

ÄRGE laske mugavusel või toote kasutamisharjumustel (mis on saadud korduva kasutuse jooksul) asendada vankumatut toote ohutuseeskirjade järgimist. VALE KASUTUS või käesoleva kasutusjuhendi ohutusnõuete eiramine võib põhjustada tõsiseid vigastusi.

△HOIATUS:

- Kandke alati hoolt selle eest, et tööriist oleks enne reguleerimist ja kontrollimist välja lülitatud ja vooluvõrgust lahti ühendatud.

Võllilukku

Joon.1

△HOIATUS:

- Ärge kasutage kunagi völliilukku ajal, mil völli veel liigub. See võib tööriista kahjustada.

Völli pöörlemise takistamiseks vajutage völliilukku alati, kui paigaldate või eemaldate tarvikuid.

Lüliti funktsioneerimine

△HOIATUS:

- Kontrollige alati enne tööriista vooluvõrku ühendamist, kas lüliti päästik funktsioneerib nõuetekohaselt ja liigub lahtilaskmisel tagasi väljalülitatud asendisse.
- Pikemaajalisel kasutamisel saab lüliti operaatori mugavuse huvides lukustada sisselülitatud asendisse. Tööriista lukustamisel sisselülitatud asendisse olge ettevaatlik ja hoidke tööriista kindlas haardes.

Joon.2

Lukustuse lülitiga tööriista puhul (ei ole saadaval Euroopas)

Tööriista käivitamiseks on vaja lihtsalt lüliti päästikut tõmmata (B suunas). Seiskamiseks vabastage lüliti päästik. Pidevaks tööks tõmmake lüliti päästikut (B suunas) ja vajutage seejärel lukustushoob sisse (A suunas). Lukustatud tööriista seiskamiseks tõmmake lüliti päästik lõpuni (B suunas) ning seejärel vabastage see.

Lahtilukustuse lülitiga tööriista kohta

Selleks, et lüliti päästikut poleks võimalik juhuslikult tõmmata, on tööriistal lukustushoob.

Tööriista käivitamiseks vajutage lukustushoob sisse (A suunas) ja seejärel tõmmake lüliti päästikut (B suunas). Seiskamiseks vabastage lüliti päästik.

Lukustuse ja lahtilukustuse lülitiga tööriista puhul (ei ole saadaval Euroopas)

Selleks, et lüliti päästikut poleks võimalik juhuslikult tõmmata, on tööriistal lukustushoob.

Tööriista käivitamiseks vajutage lukustushoob sisse (A suunas) ja seejärel tõmmake lüliti päästikut (B suunas). Seiskamiseks vabastage lüliti päästik.

Pidevaks tööks vajutage lukustushoob sisse (A suunas), tõmmake lüliti päästikut (B suunas) ja vajutage seejärel lukustushoob täies ulatuses sisse (A suunas).

Lukustatud tööriista seiskamiseks tõmmake lüliti päästik lõpuni (B suunas) ning seejärel vabastage see.

MÄRKUS:

Mudelid GA7020S, GA9020S, GA7020SF ja GA9020SF lähevad töölelülitamisel aeglaselt käima. Selline pehme käivituse omadus garanteerib sujuvama töö ning vähendab operaatori vaeva.

KOKKUPANEK

△HOIATUS:

- Kandke alati enne tööriistal mingite tööde teostamist hoolt selle eest, et see oleks välja lülitatud ja vooluvõrgust lahti ühendatud.

Külgkäepideme (käepide) paigaldamine

Joon.3

△HOIATUS:

- Enne tööd kontrollige alati, kas külgkäepideme on kindlalt paigaldatud.

Kravige külgkäepideme kindlalt oma kohale nii, nagu joonisel näidatud.

Kettakaitse (nõgusa keskosaga ketas/multiketas/ketastraathari/lihvketas/teemantketas) paigaldamine või eemaldamine

△HOIATUS:

- Kui kasutate nõgusa keskosaga lihvketast/multiketast, painduvat ketast või traatidega kaussharja, tuleb kettakaitse paigaldada tööriista külge nii, et kaitse kinnine külg jääks alati operaatori poole.
- Kui kasutate lihvimis-/teemantketast, siis kasutage kindlasti ainult spetsiaalset kettakaitset, mis on loodud kasutamiseks löikeketastega. (Mõnes Euroopa riigis võib teemantketta puhul kasutada tavalist kettakaitset. Järgige oma riigis kehtivaid eeskirju.)

Lukustuskrvi tüüpi kettapiirdega tööriista kohta

Joon.4

Asetage eendiga kettakaitse kettakaitseribale, mis on ühendatud soonega tugikorpussele. Seejärel pöörake kettakaitse sellise nurga alla, et see kaitseks kasutajat vastavalt tööle. Kontrollige, et kruvi oleks kindlalt kinnitatud. Kettapiirde eemaldamiseks, järgige paigaldamise protseduuri vastupidises järjekorras.

Klamberhoova tüüpi kettapiirdega tööriista kohta

Joon.5

Joon.6

Vabastage kettapiirde hoob. Paigaldage kettapiire selliselt, et kettapiirde klambri eend oleks laagriümbrise sälguga kohakuti. Seejärel pöörake kettapiiret kuni joonisel näidatud kohani. Pingutage kettapiirde kinnitamiseks hooba. Kui hoob on kettapiirde kinnitamiseks kas liiga pingul või liiga lõdvalt, vabastage või pingutage mutrit mutrivõtmega, et kettapiirde klambri pingutust reguleerida.

Kettapiirde eemaldamiseks, järgige paigaldamise protseduuri vastupidises järjekorras.

Lohkus keskosaga käiaketas/Multi-diski (tarvik) paigaldamine või eemaldamine

Joon.7

Paigaldage sisemine flanš võllile. Sobitage ketas sisemisele flanšile ja keerake fiksaatormutter võllile. Fiksaatormutri pingutamiseks suruge tugevalt võlli lukustusnuppu nii, et võll ei saaks pöörelda ning pingutage fiksaatormutrit fiksaatormutri jaoks ettenähtud võtmega päripäeva.

Joon.8

Ketta eemaldamiseks, järgige paigaldamise protseduuri vastupidises järjekorras.

Superflanš

Mudelid GA7020F, GA7020SF, GA9020F ja GA9020SF standardvarustuses on superflanš. Võrreldes tavalist tüüpi mutritega vajate fiksaatormutri avamisel kolm korda vähem jõudu.

MÄRKUS:

- Ainult tööriistadele, millel on võlli keere M14.

Lihvketta (täiendav lisavarustus) paigaldamine või eemaldamine

MÄRKUS:

- Kasutage käesolevas kasutusjuhendis nimetatud lihvtarvikuid. Need tuleb osta eraldi.

Joon.9

Paigaldage kummist tugiketas võllile. Sobitage ketas kummist tugiketale ja keerake fiksaatormutter võllile. Fiksaatormutri pingutamiseks suruge tugevalt võlli lukustusnuppu nii, et võll ei saaks pöörelda ning pingutage fiksaatormutrit fiksaatormutri jaoks ettenähtud võtmega päripäeva.

Ketta eemaldamiseks järgige paigaldamise protseduuri vastupidises järjekorras.

TÖÖRIISTA KASUTAMINE

△HOIATUS:

- Ärge kasutage tööriista suhtes kunagi jõudu. Tööriista enda raskus annab piisava surve. Ülemäärane surumine ja surve võivad põhjustada ohtliku ketta purunemise.
- Vahetage ALATI ketas välja siis, kui tööriist on käimise ajal maha kukkunud.
- ÄRGE KUNAGI käiaketast lööge vastu töödeldavat detaili.
- Vältige ketta kinikiilumist ja pörkimist vastu töödeldavat pinda, eriti siis, kui töötate nurkades ja teravate servadega jne. See võib põhjustada ohtlike tagasilööke.

- ÄRGE KUNAGI kasutage tööriista puidu lõikamiseks mõeldud teradega või muude saeteradega. Sellised terad, kui neid kasutada koos käiaga, lõövad tihti tagasi ja põhjustavad kontrolli kadumist ja ohtlike vigastusi.

△HOIATUS:

- Ärge kunagi käivitage tööriista, mis on kontaktis töödeldava pinna või detailiga, see võib kaasa tuua ohtlike vigastusi.
- Kandke töö juures alati kaitseprille või näokatet.
- Pärast tööd lülitage tööriist alati välja ja oodake kuni ketas on täielikult seiskunud enne, kui tööriista käest panete.

Käiamise ja lihvimise režiim

Hoidke tööriista ALATI kindlalt ühe käega tagumisest käepidemest ja teisega külgekäepidemest. Lülitage tööriist sisse ja seejärel alustage kettaga pinna või detaili töötlemist.

Tavaliselt hoidke ketta serva töödeldava pinna suhtes ca 15 kraadise nurga all.

Uue ketta sissetöötamisperioodil ärge töötage käiaga suunas B; vastasel juhul lõikub ketas töödeldavasse pinda. Kui ketta serv on töö käigus ümardunud, võib kettast kasutada mõlemas nii A kui ka B suunas.

Joon.10

Traatidega kaussharja (täiendav lisavarustus) käitamine

△HOIATUS:

- Kontrollige harja tööd, lastes tööriistal tühjalt käia ja kandes hoolt, et keegi ei asuks harja ees või sellega ühel joonel.
- Ärge kasutage kahjustatud või balansseerimata harja. Kahjustatud harja kasutamine võib suurendada harja katkiste terasharjaste põhjustatud vigastusohu.

Joon.11

Tõmmake tööriist vooluvõrgust välja ja asetage see tagurpidi, et pääseksite völli kergesti ligi. Eemaldage völli kõik tarvikud. Paigaldage traatidega kausshari völli ja keerake kaasasoleva mutrivõtmega kinni. Vältige harja kasutamisel liigse jõu rakendamist, sest see võib painutada harjaseid ja põhjustada seeläbi enneaegset kulumist.

Ketastraatharja (täiendav lisavarustus) käitamine

△HOIATUS:

- Kontrollige ketastraatharja tööd, lastes tööriistal tühjalt käia ja kandes hoolt, et keegi ei asuks ketastraatharja ees või sellega ühel joonel.
- Ärge kasutage kahjustatud või balansseerimata ketastraatharja. Kahjustatud ketastraatharja kasutamine võib suurendada harja katkiste harjaste põhjustatud vigastusohu.

- Kasutage ketastraatharjadega töötamisel ALATI kaitset, valides ketta diameetritele sobiva suuruse. Kui ketas peaks töötamisel tükki purunema, aitab kaitse vigastusi vältida.

Joon.12

Tõmmake tööriist vooluvõrgust välja ja asetage tagurpidi, et pääseksite völli kergesti ligi. Eemaldage völli kõik tarvikud. Keerake ketastraathari völli ja kinnitage mutrivõtmega.

Vältige harja kasutamisel liigse jõu rakendamist, sest see võib painutada harjaseid ja põhjustada seeläbi enneaegset kulumist.

Lihvketta/teemantketta (täiendav lisavarustus) käitamine

△HOIATUS:

- Kui kasutate lihvimis-/teemantkettast, siis kasutage kindlasti ainult spetsiaalset kettakaitset, mis on loodud kasutamiseks lõikekettastega. (Mõnes Euroopa riigis võib teemantketta puhul kasutada tavalist kettakaitset. Järgige oma riigis kehtivaid eeskirju.)
- ÄRGE KUNAGI kasutage lõikekettast külglihvimiseks.
- Ärge „kiiluge“ lõikekettast ega rakendage liigset survet. Ärge püüdke teha ülemäärase sügavusega lõiget. Ketta ülesurveamine suurendab koormust ja ketta väände või ühenduse tundlikkust lõikes ning tagasilöögi võimalust või ketta purunemist.
- Ärge käivitage töödeldava detaili lõikeoperatsiooni. Laske kettal jõuda täiskiirusele ja sisenege hoolikalt lõikesse, liigutades tööriista üle töödeldava detaili pinna. Kui elektritööriist käivitatakse töödeldavas detailis, võib ketas võib kinni kiiluda, üles liikuda või tagasi pörkuda.
- Lõikeoperatsiooni käigus ärge muutke kunagi ketta nurka. Lõikekettastele külgsurve rakendamine (nagu lihvimisel) põhjustab ketta möranemise ja purunemise, mis võib kaasa tuua tõsiseid vigastusi.
- Teemantkettast tuleb kasutada lõigatava materjali suhtes ristloodis.

Paigaldage sisemine flanš völli. Sobitage ketas sisemisele flanšile ja keerake fiksaatormutter völli.

Joon.13

Austraalia ja Uus-Meremaa tarbijale

Lihvketta/teemantketta (täiendav lisavarustus) paigaldamine või eemaldamine.

Joon.14

HOOLDUS

⚠HOIATUS:

- Kandke alati enne kontroll- või hooldustoimingute teostamist hoolt selle eest, et tööriist oleks välja lülitatud ja vooluvõrgust lahti ühendatud.
- Ärge kunagi kasutage bensiini, vedeldit, alkoholi ega midagi muud sarnast. Selle tulemuseks võib olla luumine, deformatsioon või pragunemine.

Tööriist ja selle ventilatsioonivad peavad olema puhtad. Puhastage tööriista ventilatsioonivavasid regulaarselt või siis, kui need hakkavad ummistuma.

Joon.15

Süsiharjade asendamine

Joon.16

Kui süsiharja sisemine vaiguga isoleeritud tipp puutub kokku kommutaatoriga, lülitab see automaatselt mootori välja. Kui see peaks juhtuma, peate mõlemad süsiharjad asendama. Hoidke süsiharjad puhtad, nii on neid lihtne oma hoidikutesse libistada. Mõlemad süsiharjad tuleb asendada korraga. Kasutage ainult identseid süsiharju.

Kasutage harjahoidikute kaante eemaldamiseks kruvikeerajat. Võtke ära kulunud süsiharjad välja, paigaldage uued ning kinnitage harjahoidikute kaaned tagasi oma kohale.

Joon.17

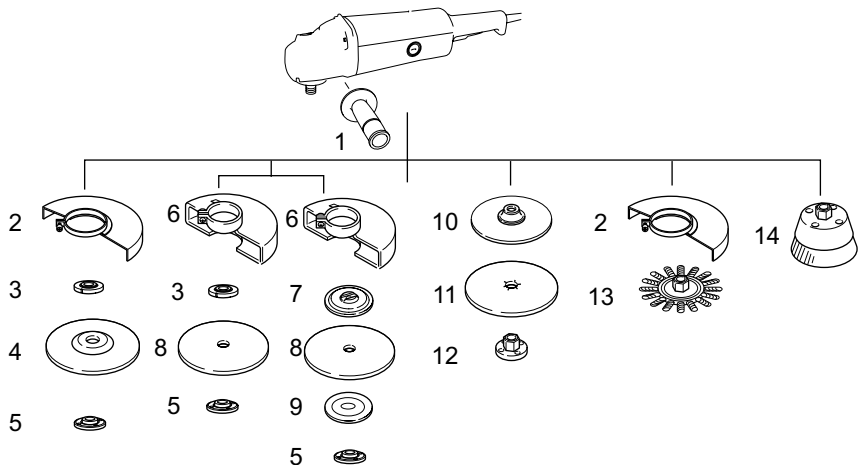
Toote OHUTUSE ja TÕÕKINDLUSE tagamiseks tuleb vajalikud remonttööd, muud hooldus- ja reguleerimistööd lasta teha Makita volitatud teeninduskeskustes. Alati tuleb kasutada Makita varuosi.

VALIKULISED TARVIKUD

⚠HOIATUS:

- Neid tarvikuid ja lisaseadiseid on soovitatav kasutada koos Makita tööriistaga, mille kasutamist selles kasutusjuhendis kirjeldatakse. Muude tarvikute ja lisaseadiste kasutamisega kaasneb vigastada saamise oht. Kasutage tarvikuid ja lisaseadiseid ainult otstarvetel, milleks need on ette nähtud.

Saate vajadusel kohalikust Makita teeninduskeskusest lisateavet nende tarvikute kohta.



1	Külgkäepide
2	Nõgusa keskosaga lihvketta / multiketta / ketastraatharja kaitse
3	Siseäärik/superäärik *1*2
4	Lohkus keskosaga käiaketas/Multi-disk
5	Kontramutter/Ezynut *1*2
6	Lihvketta/teemantketta kaitse *3
7	Siseäärik 78 (ainult Austraalias ja Uus-Meremaal)*4
8	Lihvketas/teemantketas
9	Välisäärik 78 (ainult Austraalias ja Uus-Meremaal) *4
10	Kummist tugiketas
11	Lihvketas
12	Lihvimisketta kontramutter
13	Ketastraathari
14	Traatidega kausshari
—	Fiksaatormutri võti
—	Tolmukatte kinnitus

*1 Ainult tööriistadele, millel on võlli keere M14.

*2 Ärge kasutage koos superääriku ja Ezynuti.

*3 Mõnes Euroopa riigis võib teemantketta puhul kasutada spetsiaalse, mõlemat ketta külge katva kettakaitseme asemel tavalist kettakaitset. Järgige oma riigis kehtivaid eeskirju.

*4 Kasutage koos siseäärikut 78 ja välisäärikut 78. (ainult Austraalias ja Uus-Meremaal)

013353

MÄRKUS:

- Mõned nimekirjas loetletud tarvikud võivad kuuluda standardvarustusse ning need on lisatud tööriista pakendisse. Need võivad riikide lõikes erineda.

Объяснения общего плана

1-1. Фиксатор вала	8-1. Ключ контргайки	14-3. Абразивный отрезной круг/алмазный круг
2-1. Курковый выключатель	8-2. Фиксатор вала	14-4. Внутренний фланец 78
2-2. Рычаг блокировки	9-1. Контргайка	14-5. Защитный кожух для абразивного отрезного круга/алмазного круга
4-1. Кожух диска	9-2. Абразивный диск	15-1. Вытяжное отверстие
4-2. Винт	9-3. Резиновая подушка	15-2. Впускное вентиляционное отверстие
4-3. Узел подшипника	11-1. Крышка с проводом щетки	16-1. Коммутатор
5-1. Кожух диска	12-1. Дисксовая проволочная щетка	16-2. Изоляционный наконечник
5-2. Узел подшипника	13-1. Контргайка	16-3. Угольная щетка
5-3. Гайка	13-2. Абразивный отрезной круг/алмазный круг	17-1. Колпачок держателя щетки
5-4. Рычаг	13-3. Внутренний фланец	17-2. Отвертка
6-1. Гайка	13-4. Защитный кожух для абразивного отрезного круга/алмазного круга	
6-2. Рычаг		
7-1. Контргайка	14-1. Контргайка	
7-2. Диск с вогнутым центром	14-2. Наружный фланец 78	
7-3. Быстрозажимной фланец		
7-4. Внутренний фланец		

ТЕХНИЧЕСКИЕ ХАРАКТЕРИСТИКИ

Модель	GA7020	GA7020S	GA7021	GA9020	GA9020S
Диаметр диска с вогнутым центром	180 мм		180 мм	230 мм	
Макс. толщина круга	6,5 мм	6,5 мм	6,5 мм	6,5 мм	6,5 мм
Резьба шпинделя	M14 или 5/8" (зависит от страны)		M14 или 5/8" (зависит от страны)	M14 или 5/8" (зависит от страны)	
Номинальное число оборотов (n) / Число оборотов без нагрузки (n ₀)	8 500 мин ⁻¹		6 600 мин ⁻¹	6 600 мин ⁻¹	
Общая длина	473 мм		473 мм	473 мм	
Вес нетто	5,5 кг	5,7 кг	5,5 кг	5,8 кг	5,9 кг
Класс безопасности	II/II				

- Благодаря нашей постоянно действующей программе исследований и разработок, указанные здесь технические характеристики могут быть изменены без предварительного уведомления.
- Технические характеристики могут различаться в зависимости от страны.
- Масса в соответствии с процедурой EPTA 01/2003

Назначение

Инструмент предназначен для шлифовки, зачистки и резки материалов из металла и камня без использования воды.

ENE048-1

Питание

Подключайте данный инструмент только к тому источнику питания, напряжение которого соответствует напряжению, указанному на паспортной табличке. Инструмент предназначен для работы от источника однофазного переменного тока. Они имеют двойную изоляцию и поэтому может подключаться к розеткам без заземления.

ENF002-2

Для низковольтных систем общего пользования напряжением от 220 В до 250 В.

Включение электрического устройства приводит к колебаниям напряжения. Использование данного устройства в неблагоприятных условиях

ENF100-1

электроснабжения может оказывать негативное влияние на работу другого оборудования. Если полное сопротивление в сети питания равно или менее , 0,27 Ом, можно предполагать, что данный инструмент не будет оказывать негативного влияния. Сетевая розетка, используемая для данного инструмента, должна быть защищена предохранителем или прерывателем цепи с медленным размыканием.

ENG905-1

Шум

Типичный уровень взвешенного звукового давления (A), измеренный в соответствии с EN60745:

- Уровень звукового давления (L_{pA}): 89 дБ (A)
- Уровень звуковой мощности (L_{WA}): 100 дБ (A)
- Погрешность (K): 3 дБ (A)

Используйте средства защиты слуха

Вибрация

Суммарное значение вибрации (сумма векторов по трем осям) определяется по следующим параметрам EN60745:

Модель GA7020,GA7020S

Рабочий режим: шлифование поверхности с обычной боковой рукояткой
Распространение вибрации ($a_{h,AG}$): $8,5 \text{ м/с}^2$
Погрешность (K): $1,5 \text{ м/с}^2$

Рабочий режим: шлифование поверхности с антивибрационной рукояткой
Распространение вибрации ($a_{h,AG}$): $8,0 \text{ м/с}^2$
Погрешность (K): $1,5 \text{ м/с}^2$

Режим работы: шлифовка диском
Распространение вибрации ($a_{h,DS}$): $2,5 \text{ м/с}^2$
Погрешность (K): $1,5 \text{ м/с}^2$

Модель GA7021

Рабочий режим: шлифование поверхности с обычной боковой рукояткой
Распространение вибрации ($a_{h,AG}$): $5,0 \text{ м/с}^2$
Погрешность (K): $1,5 \text{ м/с}^2$

Рабочий режим: шлифование поверхности с антивибрационной рукояткой
Распространение вибрации ($a_{h,AG}$): $4,5 \text{ м/с}^2$
Погрешность (K): $1,5 \text{ м/с}^2$

Рабочий режим: шлифовка диском
Распространение вибрации ($a_{h,DS}$): $2,5 \text{ м/с}^2$ или менее
Погрешность (K): $1,5 \text{ м/с}^2$

Модель GA9020,GA9020S

Рабочий режим: шлифовка поверхности
Распространение вибрации ($a_{h,AG}$): $5,5 \text{ м/с}^2$
Погрешность (K): $1,5 \text{ м/с}^2$

Рабочий режим: шлифовка диском
Распространение вибрации ($a_{h,DS}$): $2,5 \text{ м/с}^2$ или менее
Погрешность (K): $1,5 \text{ м/с}^2$

ENG902-1

- Заявленное значение распространения вибрации измерено в соответствии со стандартной методикой испытаний и может быть использовано для сравнения инструментов.
- Заявленное значение распространения вибрации можно также использовать для предварительных оценок воздействия.
- Заявленное значение распространения вибрации относится к основным операциям, выполняемым с помощью электроинструмента. Однако если электроинструмент используется для других целей, уровень вибрации может отличаться.

⚠ ПРЕДУПРЕЖДЕНИЕ:

- Распространение вибрации во время фактического использования электроинструмента может отличаться от заявленного значения в зависимости способа применения инструмента.
- Обязательно определите меры безопасности для защиты оператора, основанные на оценке воздействия в реальных условиях использования (с учетом всех этапов рабочего цикла, таких как выключение инструмента, работа без нагрузки и включение).

ENH101-17

Только для европейских стран**Декларация о соответствии ЕС**

Makita заявляет, что следующее устройство (устройства):

Обозначение устройства:

Угловая шлифмашина

Модель / тип: GA7020, GA7020S, GA7021, GA9020, GA9020S

Соответствует (-ю) следующим директивам ЕС:
2006/42/EC

Изготовлены в соответствии со следующим стандартом или нормативными документами:

EN60745

Технический файл в соответствии с документом 2006/42/EC доступен по адресу:

Makita, Jan-Baptist Vinkstraat 2, 3070, Belgium

31.12.2013



000331

Ясуси Фукайа (Yasushi Fukaya)

Директор

Makita, Jan-Baptist Vinkstraat 2, 3070, Belgium

GEA010-1

Общие рекомендации по технике безопасности для электроинструментов

⚠ ПРЕДУПРЕЖДЕНИЕ Ознакомьтесь со всеми инструкциями и рекомендациями по технике безопасности. Невыполнение инструкций и рекомендаций может привести к поражению электротоком, пожару и/или тяжелым травмам.

Сохраните брошюру с инструкциями и рекомендациями для дальнейшего использования.

ПРАВИЛА ТЕХНИКИ БЕЗОПАСНОСТИ ПРИ ЭКСПЛУАТАЦИИ ШЛИФОВАЛЬНОГО СТАНКА

Общие предупреждения о безопасности для операций шлифования, зачистки, очистки проволочной щеткой и абразивной резки:

1. Данный электроинструмент предназначен для шлифования, зачистки, очистки проволочной щеткой и абразивной резки. Ознакомьтесь со всеми представленными инструкциями по технике безопасности, указаниями, иллюстрациями и техническими характеристиками, прилагаемыми к данному инструменту. Несоблюдение всех инструкций, указанных ниже, может привести к поражению электрическим током, пожару и/или серьезной травме.
2. Не рекомендуется пользоваться данным инструментом для выполнения таких операций, как полировка. Использование инструмента не по назначению может создать опасную ситуацию и стать причиной травмы.
3. Не используйте инструмент других производителей, не рекомендованные производителем данного инструмента. Даже если принадлежность удастся закрепить на инструменте, это не обеспечит безопасность эксплуатации.
4. Номинальная скорость принадлежностей должна быть как минимум равна максимальной скорости, обозначенной на инструменте. При превышении номинальной скорости принадлежности последняя может разломиться на части.
5. Внешний диаметр и толщина принадлежности должна соответствовать номинальной мощности инструмента. Принадлежности неправильного размера не обеспечивают безопасность работы.
6. Резьбовые отверстия дополнительных принадлежностей должны совпадать с резьбой шпинделя шлифовальной машины. Для принадлежностей, устанавливаемых с помощью фланцев, отверстие для шпинделя на принадлежности должно соответствовать диаметру фланца. Несоответствие посадочного размера принадлежности и монтажного узла электроинструмента может привести к нарушению балансировки, сильной вибрации и к потере контроля над инструментом.
7. Не используйте поврежденные принадлежности. Перед каждым использованием принадлежностей типа абразивных кругов проверяйте их на наличие раскрашивания и трещин, проверяйте опорные фланцы на наличие трещин, задиров или чрезмерного износа, а проволочные щетки - на наличие выпавших или сломанных проволок. Если вы уронили инструмент или принадлежность, осмотрите их на предмет повреждений либо установите неповрежденную принадлежность. После осмотра и установки принадлежности удалите посторонних из рабочей зоны, встаньте в стороне от плоскости вращения принадлежности и включите инструмент на максимальной мощности без нагрузки, дайте ему поработать в течение одной минуты. Поврежденные принадлежности в течение этого времени обычно ломаются.
8. Надевайте средства индивидуальной защиты. В зависимости от выполняемой операции надевайте предохранительный щиток для лица, защитные очки или защитную маску. При необходимости используйте респиратор, средства защиты слуха, перчатки и передник, способный защитить от маленьких фрагментов абразива или заготовки. Средства защиты глаз должны быть способны остановить осколки, разлетающиеся при различных операциях. Противопылевая маска или респиратор должны задерживать частицы, образующиеся при работе. Продолжительное воздействие громкого шума может привести к потере слуха.
9. Посторонние должны находиться на безопасном расстоянии от рабочего места. Любой приближающийся к рабочему месту должен предварительно надеть индивидуальные средства защиты. Осколки заготовки или сломавшейся принадлежности могут разлететься и причинить травму даже на значительном удалении от рабочего места.
10. Если при выполнении работ существует риск контакта режущего инструмента со скрытой электропроводкой или собственным шнуром питания, держите электроинструмент только за специально предназначенные изолированные поверхности. Контакт с проводом под напряжением приведет к тому, что металлические детали инструмента также будут под напряжением, что приведет к поражению оператора электрическим током.
11. Располагайте шнур питания на удалении от вращающейся принадлежности. Если вы не удержите инструмент, возможно случайное разрезание или повреждение шнура, а также затягивание руки вращающейся принадлежностью.

12. **Не кладите инструмент, пока принадлежность полностью не остановится.** Вращающаяся насадка может коснуться поверхности, и вы не удержите инструмент.
13. **Не включайте инструмент во время переноски.** Случайный контакт с вращающейся принадлежностью может привести к защемлению одежды и притягиванию принадлежности к телу.
14. **Регулярно прочищайте вентиляционные отверстия инструмента.** Вентилятор электродвигателя засасывает пыль внутрь корпуса, а значительные отложения металлической пыли могут привести к поражению электрическим током.
15. **Не используйте инструмент вблизи горючих материалов.** Эти материалы могут воспламениться от искр.
16. **Не используйте принадлежности, требующие жидкостного охлаждения.** Использование воды или других охлаждающих жидкостей может привести к поражению электротоком.

Отдача и соответствующие предупреждения

Отдача – это мгновенная реакция на неожиданное застопоривание вращающейся опорной подушки или другой принадлежности. Застревание или застопоривание вызывает резкий останов вращающейся принадлежности, что, в свою очередь, приводит к неконтролируемому рывку инструмента в направлении, противоположном вращению принадлежности в момент застревания.

Например, если абразивный круг застопорится или застрянет в заготовке, край круга, входящий в точку заклинивания, может врезаться в поверхность материала, в результате чего круг поведет вверх или отбросит. Круг может совершить рывок в направлении оператора или обратно, в зависимости от направления перемещения круга в точке заклинивания. В такой ситуации абразивные круги могут даже сломаться.

Отдача – это результата неправильного использования инструмента и/или неправильных процедур или условий эксплуатации. Ее можно избежать, соблюдая предосторожности, указанные ниже.

- a) **Крепко держите инструмент и располагайте тело и руки таким образом, чтобы иметь возможность противостоять силе, возникающей при отдаче. Обязательно пользуйтесь вспомогательной рукояткой (если имеется), чтобы обеспечить максимальный контроль над отдачей или крутящим моментом во время пуска.** Оператор способен справиться с крутящим моментом и силами отдачи при условии соблюдения соответствующих мер безопасности.

b) **Не подносите руки к вращающейся принадлежности.** При отдаче можно повредить руки.

c) **Не становитесь на возможной траектории движения инструмента в случае отдачи.** При отдаче инструмент сместится в направлении, противоположном вращению колеса в момент застревания.

d) **Соблюдайте особую осторожность при обработке углов, острых краев и т.п. Не допускайте рывков и блокировки принадлежности.** Углы, острые края или рывки могут привести к блокировке вращающейся принадлежности и стать причиной потери контроля или вызвать отдачу.

e) **Не устанавливайте на инструмент пильную цепь, принадлежность для резбы по дереву или дисковую пилу.** Такие насадки часто приводят к возникновению отдачи и потере контроля над инструментом.

Специальные предупреждения о безопасности для операций шлифования и абразивной резки:

a) **Используйте круги только рекомендованных типов и специальные защитные приспособления, разработанные для выбранного круга.** Круги, не предназначенные для данного инструмента, не обеспечивают достаточную степень защиты и небезопасны.

b) **Шлифовальная поверхность дисков с вогнутым центром должна быть установлена под плоской поверхностью кромки ограждения.** Для неправильно установленного диска, выступающего над плоской поверхностью кромки ограждения, надлежащая защита не гарантируется.

c) **Ограждение должно быть надежно закреплено на инструменте и установлено так, чтобы обеспечивать максимальную безопасность, чтобы как можно меньший сегмент круга выступал наружу.** Ограждение помогает обезопасить оператора от разлета осколков разрушившегося круга, случайного прикосновения к кругу и искр, которые могут воспламенить одежду.

d) **Диски должны использоваться только по рекомендованному назначению. Например: не шлифуйте краем отрезного диска.** Абразивные отрезные диски предназначены для периферийного шлифования, боковые усилия, приложенные к таким дискам, могут вызвать их разрушение.

e) **Обязательно используйте неповрежденные фланцы для дисков соответствующего размера и формы.** Подходящие фланцы поддерживают диск, снижая вероятность его разрушения. Фланцы для отрезных дисков могут отличаться от фланцев для шлифовальных дисков.

f) **Не используйте изношенные диски от более крупных электроинструментов.** Диски, предназначенные для более мощного электроинструмента, не подходят для высокоскоростного электроинструмента меньшей мощности и могут разорваться.

Дополнительные специальные предупреждения о безопасности для операций абразивной резки:

a) **Не "заклинивайте" отрезной круг и не прикладывайте к нему чрезмерное давление. Не пытайтесь делать слишком глубокий разрез.** Перенапряжение круга увеличивает его нагрузку и восприимчивость к короблению или прихватуванию в прорези, а также возможность отдачи или поломки круга.

b) **Не становитесь на одной линии или позади вращающегося круга.** Если во время операции круг движется от вас, то при отдаче вращающийся круг и инструмент может отбросить прямо на вас.

c) **Если круг прихватывает или процесс резания прерывается по другой причине, выключите электроинструмент и держите его неподвижно до полной остановки круга. Не пытайтесь извлечь отрезной круг из разреза до полного останова круга, в противном случае может возникнуть отдача.** Выясните и устраните причину прихватавания круга.

d) **Не перезапускайте отрезной круг, пока он находится в детали.** Дождитесь, пока круг разовьет максимальную скорость, и осторожно погрузите его в разрез. Круг может застрять, отбросить вверх или назад, если перезапустить электроинструмент непосредственно в детали.

e) **Устанавливайте опоры под панели или большие детали, чтобы уменьшить риск застревания круга и возникновения отдачи.** Большие детали имеют тенденцию к прогибу под собственным весом. При резании таких панелей необходимо поместить опоры под разрезаемой деталью рядом с линией разреза и рядом с краем детали с обеих сторон круга.

f) **Будьте особенно осторожны при выполнении "врезки" в существующих стенах или на других неизвестных участках.** Выступающий круг может натолкнуться на газовую или водопроводную трубу, электропроводку или предметы, которые могут привести к отдаче.

Специфические инструкции по технике безопасности, относящиеся к операциям шлифовки:

a) **Не пользуйтесь шлифовальным диском слишком большого размера. При выборе наждачной бумаги следуйте рекомендациям производителя.** Большие размеры наждачной

бумаги, выступающей за края подложки, могут привести к разрыву бумаги, застреванию, разрушению диска или отдаче.

Специфические инструкции по технике безопасности к операциям очистки проволочной щеткой:

a) **Берегитесь проволок, которые разлетаются от щетки даже в нормальном режиме работы. Не прикладывайте чрезмерное усилие на проволоку, слишком сильно нажимая на щетку.** Проволока щетки может легко пробить одежду и/или кожу.

b) **Если для работы по очистке проволочными щетками рекомендуется использовать ограждение, не допускайте биения проволочного круга или щетки об ограждение.** Проволочный круг или щетка могут увеличиваться в диаметре под воздействием нагрузки и центробежных сил.

Дополнительные предупреждения по безопасности:

17. **При использовании дисков с вогнутым центром используйте только диски с упрочением стекловолокном.**
18. **ЗАПРЕЩАЕТСЯ ИСПОЛЬЗОВАТЬ** с этим инструментом чашеобразный шлифовальный круг. Данная шлифовальная машина не предназначена для кругов такого типа, их использование может привести к тяжелой травме.
19. **Будьте осторожны во избежание повреждения шпинделя, фланца (особенно его установочной поверхности) или стопорной гайки.** Повреждения этих деталей могут привести к поломке круга.
20. **Перед включением выключателя убедитесь, что диск не касается детали.**
21. **Перед тем, как использовать инструмент для фактических работ, дайте ему немного поработать вхолостую.** Следите за вибрацией или биением, которые могут свидетельствовать о неправильной установке или плохой балансировке круга.
22. **Для выполнения шлифовки пользуйтесь соответствующей поверхностью диска.**
23. **Не оставляйте работающий инструмент без присмотра.** Включайте инструмент только тогда, когда он находится в руках.
24. **Сразу после окончания работ не прикасайтесь к обработанной детали.** Она может быть очень горячей, что приведет к ожогу кожи.
25. **Соблюдайте инструкции изготовителя по правильной установке и использованию дисков.** Бережно обращайтесь с дисками и аккуратно храните их.
26. **Не пользуйтесь отдельными переходными втулками или адаптерами для крепления абразивных дисков с большими отверстиями.**

27. Используйте только фланцы, указанные для данного инструмента.
28. Для инструментов, предназначенных для использования дисков с резьбовым отверстием, убедитесь, что резьба диска достаточно, чтобы диск можно было полностью завернуть на шпиндель.
29. Убедитесь, что обрабатываемая деталь имеет надлежащую опору.
30. Обратите внимание на то, что диск будет некоторое время вращаться после выключения инструмента.
31. Если в месте выполнения работ очень высокая температура и влажность или в ней содержится большое количество токопроводящей пыли, используйте прерыватель цепи (30 мА) для обеспечения безопасности работ.
32. Не используйте инструмент на любых материалах, содержащих асбест.
33. При использовании отрезного диска, всегда работайте с предохранительным ограждением диска для сбора пыли, установка которого необходима в соответствии с местными нормативными требованиями.
34. Не подвергайте отрезные круги какому-либо боковому давлению.

СОХРАНИТЕ ДАННЫЕ ИНСТРУКЦИИ.

⚠️ ПРЕДУПРЕЖДЕНИЕ:

НЕ ДОПУСКАЙТЕ, чтобы удобство или опыт эксплуатации данного устройства (полученный от многократного использования) доминировали над строгим соблюдением правил техники безопасности при обращении с этим устройством. НЕПРАВИЛЬНОЕ ИСПОЛЬЗОВАНИЕ инструмента или несоблюдение правил техники безопасности, указанных в данном руководстве, может привести к тяжелой травме.

ОПИСАНИЕ ФУНКЦИОНИРОВАНИЯ

⚠️ ПРЕДУПРЕЖДЕНИЕ:

- Перед проведением регулировки или проверки работы инструмента всегда проверяйте, что инструмент выключен, а шнур питания вынут из розетки.

Замок вала

Рис.1

⚠️ ПРЕДУПРЕЖДЕНИЕ:

- Никогда не задействуйте замок вала при вращающемся шпинделе. Это может привести к повреждению инструмента.

Нажмите на замок вала для предотвращения вращения шпинделя при установке или снятии дополнительных принадлежностей.

Действие переключения

⚠️ ПРЕДУПРЕЖДЕНИЕ:

- Перед включением инструмента в розетку, всегда проверяйте, что триггерный переключатель работает надлежащим образом и возвращается в положение "ВЫКЛ", если его отпустить.
- Переключатель можно заблокировать в положении "ВКЛ" для удобства оператора при продолжительном использовании. Будьте осторожны при блокировке инструмента в положении "ВКЛ" и продолжайте крепко удерживать инструмент.

Рис.2

Для инструмента с кнопкой блокировки включения (в Европу не поставляется)

Для включения инструмента достаточно просто нажать на курковый выключатель (в направлении В). Для выключения инструмента отпустите курковый выключатель. Для непрерывной работы инструмента нажмите на курковый выключатель (в направлении В) и затем нажмите на стопорный выключатель (в направлении А). Для отключения фиксированного положения выключателя до конца нажмите на курковый выключатель (в направлении В) и затем отпустите его.

Для инструмента с переключателем без блокировки

Для предотвращения случайного нажатия на инструменте установлен стопорный рычаг.

Для включения инструмента нажмите на стопорный рычаг (в направлении А) и затем нажмите на курковый выключатель (в направлении В). Для выключения инструмента отпустите курковый выключатель.

Для инструмента с кнопкой блокировки включения и переключателем без блокировки (в Европу не поставляется)

Для предотвращения случайного нажатия на инструменте установлен стопорный рычаг.

Для включения инструмента нажмите на стопорный рычаг (в направлении А) и затем нажмите на курковый выключатель (в направлении В). Для выключения инструмента отпустите курковый выключатель.

Для непрерывной работы инструмента нажмите на стопорный рычаг (в направлении А), нажмите на курковый выключатель (в направлении В) и затем еще раз нажмите на стопорный рычаг (в направлении А), чтобы еще больше утопить его.

Для отключения фиксированного положения выключателя до конца нажмите на курковый выключатель (в направлении В) и затем отпустите его.

Примечание:

Модели GA7020S, GA9020S, GA7020SF и GA9020SF при включении начинают работать на небольших оборотах. Эта функция плавного запуска предоставляет большее удобство работы и обеспечивает меньшую утомляемость оператора.

МОНТАЖ

⚠️ ПРЕДУПРЕЖДЕНИЕ:

- Перед проведением каких-либо работ с инструментом всегда проверяйте, что инструмент выключен, а шнур питания вынут из розетки.

Установка боковой рукоятки (ручки)

Рис.3

⚠️ ПРЕДУПРЕЖДЕНИЕ:

- Перед работой всегда проверяйте надежность крепления боковой рукоятки.

Прочно закрепите боковую рукоятку на месте, как показано на рисунке.

Установка или снятие защитного кожуха (для диска с углубленным центром, многофункционального диска, дисковой проволочной щетки/абразивного отрезного диска, алмазного диска)

⚠️ ПРЕДУПРЕЖДЕНИЕ:

- При использовании шлифовального диска с углубленным центром/многофункционального диска, гибкого диска или дисковой проволочной щетки установите защитный кожух так, чтобы закрытая сторона кожуха была направлена к оператору.

- При использовании абразивного отрезного круга/алмазного круга может применяться только специальный защитный кожух, предназначенный для отрезных кругов. (В некоторых странах Европы при использовании алмазного круга можно использовать обычное ограждение. Следуйте нормативам, действующим в вашей стране.)

Для инструмента с ограждением диска со стопорным болтом

Рис.4

Установите кожух диска, чтобы выступ на его хомуте совместился с пазом на коробке подшипника. Затем установите кожух под таким углом, чтобы во время работы он защищал оператора. Надежно затяните винты.

Для снятия кожуха диска выполните процедуру установки в обратном порядке.

Для инструмента с ограждением диска с зажимным рычагом

Рис.5

Рис.6

Ослабьте рычаг на ограждении диска. Установите защитный кожух так, чтобы выступ на его хомуте совместился с пазом на коробке подшипника. Затем поверните ограждение диска по кругу и установите его в положение, показанное на рисунке. Затяните рычаг для фиксации ограждения диска. Если рычаг слишком тугой или слишком слабый для затягивания ограждения диска, ослабьте или затяните гайку ключом для регулировки затяжки хомута ограждения диска.

Для снятия кожуха диска выполните процедуру установки в обратном порядке.

Установка или снятие шлифовального диска с вогнутым центром/Мультидиска (дополнительная принадлежность)

Рис.7

Установите внутренний фланец на шпindel. Наденьте диск/круг на внутренний фланец и вкрутите стопорную гайку на шпindel.

Для затяжки стопорной гайки, сильно надавите на замок вала, чтобы шпindel не проворачивался, затем воспользуйтесь ключом стопорной гайки и крепко затяните ее по часовой стрелке.

Рис.8

Для снятия диска выполните процедуру установки в обратном порядке.

Суперфланец

Модели GA7020F, GA7020SF, GA9020F и GA9020SF стандартно комплектуются быстрозажимным фланцем. По сравнению с обычным типом для откручивания гайки требуется только 1/3 обычного усилия.

Примечание:

- Только для инструментов с резьбой шпинделя M14.

Установка или снятие абразивного диска (дополнительная принадлежность)

Примечание:

- Используйте принадлежности для шлифования, указанные в данном руководстве. Их следует приобрести отдельно.

Рис.9

Установите на шпиндель резиновую площадку. Установите диск на резиновую площадку и закрутите стопорную гайку на шпинделе. Для затяжки стопорной гайки, сильно надавите на замок вала, чтобы шпиндель не проворачивался, затем воспользуйтесь ключом стопорной гайки и крепко затяните ее по часовой стрелке.

Для снятия диска выполните процедуру установки в обратном порядке.

ЭКСПЛУАТАЦИЯ

⚠️ ПРЕДУПРЕЖДЕНИЕ:

- Никогда не прилагайте к инструменту усилий. Вес инструмента создает адекватное давление. Чрезмерное усилие и давление могут привести к опасному разрушению диска.
- ВСЕГДА меняйте диск, если при шлифовании инструмент упал.
- НИКОГДА не ударяйте и не бейте шлифовальный диск или круг об обрабатываемую деталь.
- Избегайте подпрыгивания и зацепления диска, особенно при обработке углов, острых краев и т.д. Это может привести к потере управления и отдаче.
- НИКОГДА не используйте инструмент с полотнами для резки по дереву и другими пыльными дисками. При использовании с шлифовальным инструментом такие полотна часто отскакивают и приводят к потере управления, результатом чего могут быть травмы.

⚠️ ПРЕДУПРЕЖДЕНИЕ:

- Никогда не включайте инструмент, если он касается обрабатываемого изделия. Это может стать причиной травмы оператора.
- Во время выполнения операции всегда надевайте защитные очки или защитную маску.
- После работы всегда отключайте инструмент и дожидайтесь полной остановки диска перед тем, как положить инструмент.

Шлифовка и зачистка

ВСЕГДА крепко держите инструмент одной рукой за заднюю рукоятку, а другой за боковую рукоятку. Включите инструмент и поднесите круг или диск к обрабатываемой детали.

В общем плане, держите край круга или диска под углом примерно в 15 градусов к поверхности обрабатываемой детали.

В период проникновения с использованием нового диска, не работайте с инструментом в направлении В, иначе он врежется в обрабатываемую деталь. После того, как край диска закруглится по причине использования, диск можно использовать и в направлении А, и в направлении В.

Рис.10

Выполнение работ с чашечной проволочной щеткой (дополнительная принадлежность)

⚠️ ПРЕДУПРЕЖДЕНИЕ:

- Проверьте работу щетки, запустив инструмент на холостом ходу, предварительно убедившись, что никто не находится перед ним или на одной линии со щеткой.
- Не используйте поврежденную или разбалансированную щетку. Использование поврежденной щетки может увеличить опасность получения травм от контакта с проволокой.

Рис.11

Отключите инструмент от питания и расположите его дисковой частью вверх, что позволит легко получить доступ к шпинделю. Снимите со шпинделя все дополнительные принадлежности. Установите чашечную проволочную щетку на шпиндель и затяните ее с помощью поставляемого с инструментом ключа. При использовании щетки старайтесь не прикладывать к ней чрезмерное давление, поскольку в таком случае проволока может погнуться, что преждевременно приведет щетку в негодность.

Выполнение работ с дисковой проволочной щеткой (дополнительная принадлежность)

⚠️ ПРЕДУПРЕЖДЕНИЕ:

- Проверьте работу дисковой проволочной щетки, запустив инструмент на холостом ходу, предварительно убедившись, что никто не находится перед ним или на одной линии с дисковой проволочной щеткой.
- Не используйте поврежденную или разбалансированную дисковую проволочную щетку. Использование поврежденной дисковой проволочной щетки может увеличить опасность получения травм от контакта с проволокой.

- При работе с дисковой проволочной щеткой ВСЕГДА используйте защитный кожух, убедившись, что диаметр диска соответствует внутреннему диаметру кожуха. Во время работы диск может разрушиться, защитный кожух в таком случае снизит риск получения травм.

Рис.12

Отключите инструмент от питания и расположите его дисковой частью вверх, что позволит легко получить доступ к шпинделю. Снимите со шпинделя все дополнительные принадлежности. Установите дисковую проволочную щетку на шпиндель и затяните ее с помощью ключей.

При использовании дисковой проволочной щетки старайтесь не прикладывать к ней чрезмерное давление, поскольку в таком случае проволока может погнуться, что преждевременно приведет щетку в негодность.

Выполнение работ с абразивным отрезным диском/алмазным диском (дополнительная принадлежность)

⚠ПРЕДУПРЕЖДЕНИЕ:

- При использовании абразивного отрезного круга/алмазного круга может применяться только специальный защитный кожух, предназначенный для отрезных кругов. (В некоторых странах Европы при использовании алмазного круга можно использовать обычное ограждение. Следуйте нормативам, действующим в вашей стране.)
- НЕЛЬЗЯ использовать отрезной круг для шлифовки боковой поверхностью.
- Не "заклинивайте" круг и не прикладывайте к нему чрезмерное давление. Не пытайтесь чрезмерно увеличить глубину резания. Перенапряжение круга увеличивает его нагрузку и восприимчивость к короблению или прихвату в прорези, а также возможность отдачи, поломки круга и перегрева электродвигателя.
- Не запускайте отрезной круг, пока он находится в детали. Дайте кругу раскрутиться до максимальной скорости, а затем осторожно введите в разрез, перемещая инструмент вперед по поверхности обрабатываемой детали. При перезапуске электроинструмента, углубившегося в деталь, возможно прихватувание круга, его выскакивание или отдача.
- Во время операций резания нельзя менять угол наклона круга. Боковое давление на отрезной круг (как при шлифовке) приводит к растрескиванию и разрушению круга, в результате чего возможны серьезные травмы.
- Работы с алмазным диском необходимо выполнять, удерживая его перпендикулярно к рабочей поверхности.

Установите внутренний фланец на шпиндель. Наденьте диск/круг на внутренний фланец и вкрутите стопорную гайку на шпиндель.

Рис.13

Для Австралии и Новой Зеландии

Порядок установки или снятия абразивного отрезного диска/алмазного диска (дополнительная принадлежность)

Рис.14

ТЕХОБСЛУЖИВАНИЕ

⚠ПРЕДУПРЕЖДЕНИЕ:

- Перед проверкой или проведением техобслуживания всегда проверяйте, что инструмент выключен, а штекер отсоединен от розетки.
- Запрещается использовать бензин, лигроин, растворитель, спирт и т.п. Это может привести к изменению цвета, деформации и появлению трещин.

Инструмент и его вентиляционные отверстия должны содержаться в чистоте. Производите регулярную очистку вентиляционных отверстий инструмента, или очищайте их в том случае, если отверстия станут засоряться.

Рис.15

Замена угольных щеток

Рис.16

Когда полимерный изоляционный наконечник внутри угольной щетки оголится и соприкоснется с коммутатором, он автоматически отключит двигатель. Когда это произойдет, необходимо заменить обе угольные щетки. Содержите угольные щетки в чистоте и в свободном для скольжения в держателях положении. При замене необходимо менять обе угольные щетки одновременно. Используйте только одинаковые угольные щетки. Используйте отвертку для снятия крышек щеткодержателей. Извлеките изношенные угольные щетки, вставьте новые и закрутите крышки щеткодержателей.

Рис.17

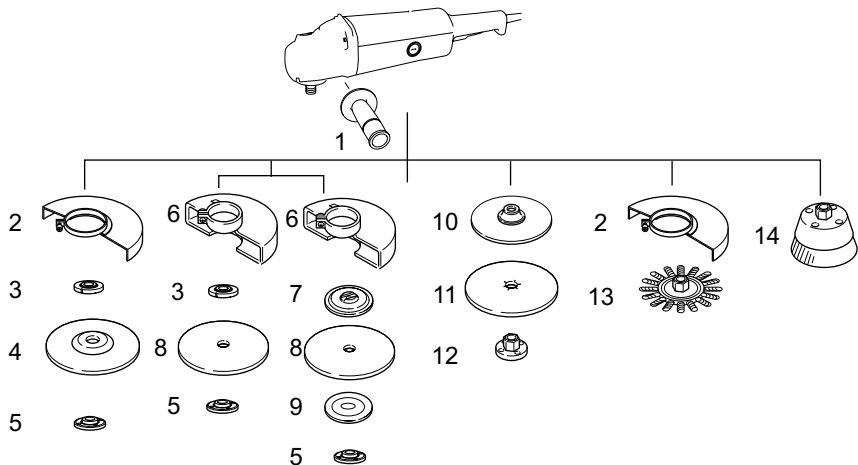
Для обеспечения БЕЗОПАСНОСТИ и НАДЕЖНОСТИ оборудования, ремонт, любое другое техобслуживание или регулировку необходимо производить в уполномоченных сервис-центрах Makita, с использованием только сменных частей производства Makita.

ДОПОЛНИТЕЛЬНЫЕ АКСЕССУАРЫ

ПРЕДУПРЕЖДЕНИЕ:

- Эти принадлежности или насадки рекомендуется использовать вместе с вашим инструментом Makita, описанным в данном руководстве. Использование каких-либо других принадлежностей или насадок может представлять опасность получения травм. Используйте принадлежность или насадку только по указанному назначению.

Если вам необходимо содействие в получении дополнительной информации по этим принадлежностям, свяжитесь со своим местным сервис-центром Makita.



1	Боковая ручка
2	Защитный кожух для шлифовального диска с углубленным центром / многофункционального диска / дисковой проволочной щетки
3	Внутренний фланец / быстрозажимной фланец *1*2
4	Шлифовальный диск с вогнутым центром/Многофункциональный диск
5	Стопорная гайка/Гайка Ezynut *1*2
6	Защитный кожух для абразивного отрезного диска/алмазного диска *3
7	Внутренний фланец 78 (только для Австралии и Новой Зеландии) *4
8	Абразивный отрезной диск/Алмазный диск
9	Внешний фланец 78 (только для Австралии и Новой Зеландии) *4
10	Резиновая подушка
11	Абразивный диск
12	Шлифовальная стопорная гайка
13	Дисковая проволочная щетка
14	Крышка с проводом щетки
—	Ключ контргайки
—	Пылезащитная крышка

*1 Только для инструментов с резьбой шпинделя M14.

*2 Не используйте суперфланец с гайкой Ezynut.

*3 В некоторых странах Европы при использовании алмазного круга можно использовать обычное ограждение вместо специального, закрывающего обе стороны круга. Следуйте нормативам, действующим в вашей стране.

*4 Используйте внутренний фланец 78 с внешним фланцем 78. (Только для Австралии и Новой Зеландии)

013353

Примечание:

- Некоторые элементы списка могут водить в комплект инструмента в качестве стандартных приспособлений. Они могут отличаться в зависимости от страны.

Makita Jan-Baptist Vinkstraat 2, 3070, Belgium
Makita Corporation Anjo, Aichi, Japan

8846351938

www.makita.com

TMby
ONLINE STORE

<https://tm.by>
Интернет-магазин