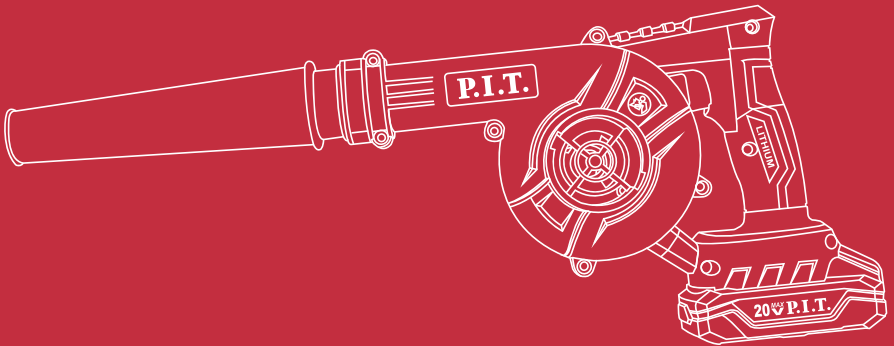


P.I.T.

PBO20H-300A



CORDLESS BLOWER

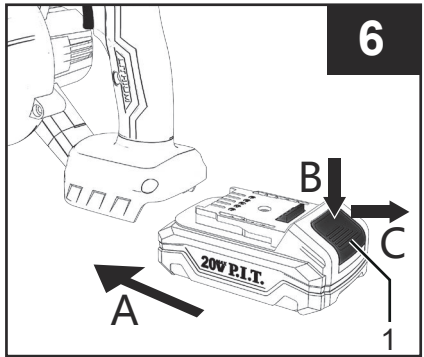
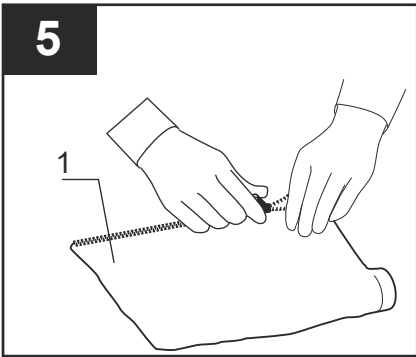
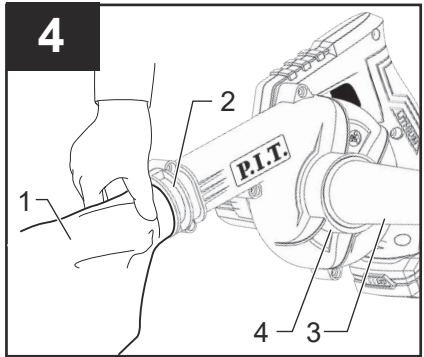
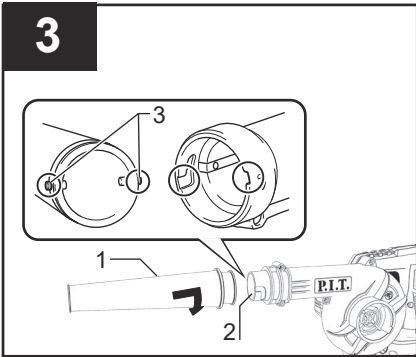
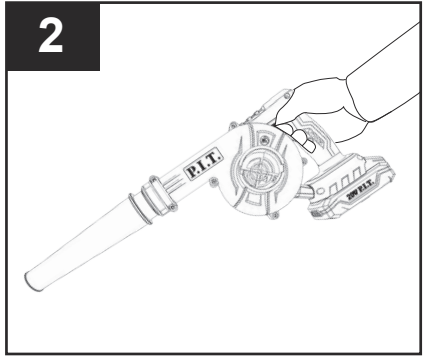
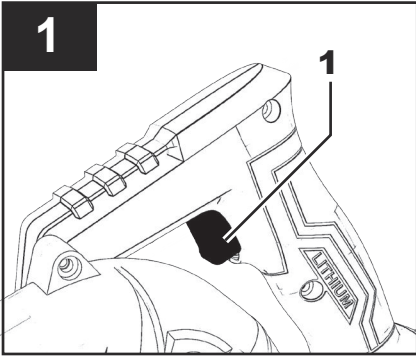
АККУМУЛЯТОРНАЯ ВОЗДУХОДУВКА



Please read the instruction manual carefully before use!
Пожалуйста, внимательно прочтите инструкцию перед использованием!







English

Safety instructions

Safety instructions for the electric blower.



Read all safety instructions and instructions. Omission of directions and safety instructions can result in electric shock, fire and serious injury.

Safety Precautions For Electric Blower

To avoid fire, electric shock, or injury, follow these guidelines:

Workplace Safety

- ▶ **The work area must be clean and well lit.** Litter and poor lighting can cause accidents.
- ▶ **Do not operate power tools in explosive atmospheres, such as in the presence of flammable liquids, gases, or dust.** Power tool operations generate sparks that can ignite dust or gases.
- ▶ **Keep children or bystanders away from the work area when operating a power tool.** Do not distract yourself while working as this will result in loss of control of the power tool.

Electrical Safety

- ▶ **Power tool plugs must match the outlet. Never make any modifications to the outlet. Do not use adapters when using a grounded power tool.** Unmodified outlets and plugs reduce the risk of electric shock.
- ▶ **Avoid body contact with grounded surfaces such as pipes, radiators, radiators, and refrigerators.** Body contact with earthed objects increases the risk of electric shock.
- ▶ **Do not expose power tools to rain or moisture.** Water entering a power tool will increase the risk of electric shock.
- ▶ **Handle the power cord with care; never use the power cord to carry, move or unplug the power cord. Keep cord away from heat, oil, sharp edges, and moving parts.** Damaged or tangled power cords increase the risk of electric shock.
- ▶ **When using the power tool outdoors, use an extension cord that is suitable for this purpose.** Using the correct cord reduces the risk of electric shock.
- ▶ **When operating the power tool in a damp place, connect the power tool through a residual current device.** The use of a residual current device (RCD) re-

duces the risk of electrical shock.

Personal safety

- ▶ **Be careful when using a power tool, observe what you are doing and use common sense; do not use a power tool while you are tired or under the influence of drugs, alcohol or medication.** Even momentary inattention when using a power tool can result in serious injury.
- ▶ **Use personal protective equipment. Be sure to wear safety glasses.** Personal protective equipment such as a respirator, non-slip safety shoes, hard hat or ear-muffs, when used under appropriate conditions, can reduce the risk of injury.
- ▶ **Do not accidentally turn on the device. Make sure the switch is in the off position before connecting the tool to a power source and / or battery, lifting or carrying the tool.** Carrying a power tool with your finger on the switch, or applying power to an instrument with the switch on, may result in an accident.
- ▶ **Remove all adjusting tools and wrenches from power tool before operating power tool.** Leaving a wrench or adjusting wrench attached to a rotating part could cause injury.
- ▶ **Do not stretch while using the device; always maintain a stable position and balance.** This will allow better control of the power tool in unexpected situations.
- ▶ **Dress appropriately. Do not wear loose clothing or jewelry. Keep your hair, clothing and gloves away from rotating parts at all times.** Loose clothing, jewelry or long hair can be caught in the moving parts of the device.
- ▶ **If there are devices for connecting a dust collector or hood, make sure they are connected and used correctly.** Using a dust bin reduces the likelihood of dust risks.
- ▶ **Good knowledge of power tools, gained as a result of their frequent use, should not lead to self-confidence and disregard for safe handling of power tools.** One careless action in a fraction of a second can result in serious injury.
- ▶ **ATTENTION!** In the event of an interruption in the operation of the power tool due to a complete or partial loss of power supply or damage to the power control circuit, set the switch to the off position, making sure that it is not blocked (if any). Discon-

nect the mains plug from the socket or remove the removable battery. This prevents an uncontrolled restart.

- ▶ Qualified personnel in accordance with this manual means persons who are familiar with the adjustment, installation, commissioning and maintenance of power tools.
- ▶ Only persons over 18 years of age who have read the technical description, operating instructions and safety rules are allowed to work with power tools.
- ▶ The product is not intended for use by persons (including children) with reduced physical, sensory or mental capabilities, or lack of life experience or knowledge, unless they have been supervised or instructed in the use of power tools by a person responsible for their safety..

Power Tool Use And Care

- ▶ **Do not use excessive force on the power tool. Use the right tool for the job you are doing.** The right power tool will do the job better and safer at the performance it was designed for.
- ▶ **Do not use a power tool with a defective switch.** Any power tool with a defective switch is dangerous and must be repaired.
- ▶ **Always disconnect power tool and / or battery before making adjustments, changing accessories, or storing power tool.** Such preventive measures reduce the risk of starting the power tool accidentally.
- ▶ **Store power tools out of the reach of children and do not allow persons unfamiliar with the operation of the tool or reading these instructions to operate the power tool.**

Power tools are dangerous in the hands of inexperienced users.

- ▶ **Service power tools. Check for alignment, deformation of moving parts, breakage of any part, or other defects that could affect the operation of the power tool. If the instrument is damaged, have it repaired before use.** A large number of accidents result from poor power tool maintenance.
- ▶ **Use the power tool, accessories, attachments and attachments in accordance with these instructions and for the purpose for which it was designed, taking into account the conditions and type of work to be performed.** Use of the power tool for purposes other than those intended may result in a hazardous situation.

Battery tool use and care

- ▶ **The battery is not fully charged at the time of delivery.** To ensure full battery performance, fully charge the battery before first use.
- ▶ **Only use the battery in combination with your P.I.T. This is the only way to prevent dangerous battery overload.**
- ▶ **Charge batteries only with chargers recommended by the manufacturer.** A charger designed for certain types of batteries may present a fire hazard when used with other batteries.
- ▶ **Use only the specified batteries in power tools.** Use of other batteries may result in personal injury and fire hazard.
- ▶ **Make sure the tool is switched off before inserting the battery.** Inserting a rechargeable battery into a powered tool may result in an accident.
- ▶ **Check the battery for firm seating.** It has two levels of fixation.

Important safety instructions for working with the battery pack.

WARNING: Use only original P.I.T. Use of batteries not manufactured by P.I.T. or batteries that have been modified may result in battery explosion, fire, personal injury or property damage. This will also automatically void the P.I.T. on the P.I.T. tool and charger.

- ▶ **Before using the battery pack, read all instructions and warning labels on the charger, battery pack, and tools powered by the battery pack.**
- ▶ **Do not disassemble the battery pack.**
- ▶ **Do not drop or hit the battery pack.**
- ▶ **Do not use a damaged battery pack.**
- ▶ **If the operating time of the battery pack is significantly shortened, stop using it immediately.** Otherwise, the unit may overheat, resulting in burns and even an explosion.
- ▶ **If electrolyte gets into your eyes, rinse them with plenty of clean water and seek medical attention immediately.** This can lead to vision loss.
- ▶ **Do not short the contacts of the battery pack with each other:**

- (1) Do not touch the contacts with any conductive objects.
- (2) Do not store the battery pack in a container with other metal objects such as nails, coins, etc.
- (3) Do not expose the battery pack to water or rain. Shorting the contacts of the battery pack

together can cause high current, overheating, possible burns, and even breakage of the pack.

- ▶ **Do not store the tool and battery pack where the temperature can reach or exceed 50 °C (122 °F).**
- ▶ **Do not throw the battery pack into a fire, even if it is severely damaged or completely out of order. The battery pack may explode if exposed to fire.**
- ▶ **Gas may be released if the battery is damaged or misused.** Provide fresh air and if you have any complaints, consult a doctor. Gases can cause respiratory irritation.
- ▶ **Clean the battery ventilation slots from time to time with a soft, dry and clean brush.**
- ▶ **Charge the battery pack without completely discharging it.** Be sure to stop using the tool and charge the unit if you notice a decrease in tool power.
- ▶ **Never recharge a fully charged battery pack.** Overcharging shortens battery life.
- ▶ **Charge the battery pack at room temperature.** Allow a hot battery pack to cool before charging.
- ▶ **Charge the lithium-ion battery pack if you will not use the tool for a long time (more than six months).**
- ▶ **Do not open the battery, otherwise there is a danger of a short circuit.**
- ▶ **Protect the battery from high temperatures, such as prolonged exposure to the sun, fire, water and moisture. There is a risk of explosion.**
- ▶ **Store the battery between 0 and 45°C.** Do not leave the battery in the car in summer.
- ▶ **The supplied lithium-ion batteries must be used in accordance with the requirements of the dangerous goods legislation.** For commercial shipments, such as by a third party or freight forwarder, special warnings and labels must be applied to the packaging. Be sure to consult with a Hazardous Materials Specialist when preparing your device for shipping. Also observe local requirements and regulations. They may be stricter. Cover or secure open contacts and pack the battery so that it does not move around in the package.
- ▶ **Follow local regulations regarding the disposal of the battery pack.**

Safety instructions for air blowers

- ▶ **Always use safety goggles, hard hat and respirator when using blower.**
- ▶ **When using a blower, never point the nozzle at anyone in the vicinity.**
- ▶ **Always use a dust bag when removing dust, chips and similar material.**
- ▶ **Do not pick up smoldering cigarette ash, freshly cut metal shavings, screws, nails, or similar materials. Caution - Danger of electric shock when used on wet surfaces. Do not expose to rain. Store indoors.**
- ▶ **Never block the suction and / or outlet of the blower. High engine speed can cause dangerous damage to the fan.**
- ▶ **The blower is not intended for use by children or unattended people without supervision.**
- ▶ **Children should be supervised to ensure that they do not play with the blower.**
- ▶ **Ensure that loose clothing does not get caught in the air supply system, as this may cause injury.**
- ▶ **Ensure that long hair does not get caught in the air supply system as this could cause injury.**
- ▶ **Do not blow dirt/leaves towards people nearby.**
- ▶ **Do not place any objects inside the blower tubes.**

Description of product and services

Read all safety instructions and instructions. Omission of directions and safety instructions can result in electric shock, fire and serious injury.

Intended use

The cordless blower is designed to clean the area from small debris and foliage.

It has the functions of blowing and suction, which expands the capabilities of the device.

Thanks to the operation of electricity, the unit does not emit harmful emissions into the atmosphere, which allows it to be used indoors.

Components shown

The general view of the tool is presented on the page with illustrations.

1. Switch trigger
2. Suction port
3. Removable air hose
4. 20V ONEPOWER battery
5. Battery release button

Not all accessories illustrated or described

are included as standard.

Specifications

Model	PBO20H-300A
Voltage	DC 20V
Max. air volume	0-2.8 m ³ /min
No-load Speed	0-18000 r/min
Weight	1.95 Kg

Contents of delivery

Cordless blower	1pc
Removable air hose	1pc
Dust collector	1pc
Operation manual	1pc

Note

The text and numbers in this manual may contain technical errors and typographical errors.

Since the P.I.T. is constantly improving, the company reserves

the right to make changes to the specifications and equipment specified here without prior notice.

Working with the tool

WARNING:

- Always be sure the tool is switched off and unplugged before adjusting or checking the operation of the tool.

On / Off (Fig. 1)

Press the switch (1) to start the machine.

Release the switch to stop.

Speed Control(Fig. 1)

Increase pressure on trigger switch(1) to increase speed.

Installing or removing the battery (Figure 6).

When installing the battery, follow the direction of arrow A. You will hear a click to indicate that the battery is installed.

When removing the battery, follow the direction of arrow B, press the release button, and follow the direction of arrow c to remove the battery

Exploitation

WARNING

- When performing work, be sure to hold the tool by the handle (Fig. 2). Do not touch metal parts.
- Do not use the tool to inflate any object such as air mattresses, balls, etc. Running the motor at high speeds can cause dangerous damage to the blower.

Air injection (Fig. 3)

To purge and install the nozzle (1) on the out-

let of the blower (2). Turn it clockwise until it clicks.

Suction mode (Fig. 4)

For suction, install the nozzle (3) on suction port (4) and the dust bag (1) to the blower outlet (2). Turn clockwise until it clicks.

When the bag is full, empty the contents of the dust bag into the wastebasket. (Fig. 5)

Maintenance & Service

Maintenance and cleaning

ATTENTION! Make sure the tool is switched off and unplugged before checking or performing maintenance.

- Every time after finishing work, it is recommended to clean the body of the instrument and the ventilation openings from dirt and dust with a soft cloth or napkin. It is recommended to remove stubborn dirt with a soft cloth dampened with soapy water. It is unacceptable to use solvents to eliminate contamination: gasoline, alcohol, ammonia solutions, etc. The use of solvents can damage the body of the instrument.
- The tool does not require additional lubrication.


Service


► Have your power tool repaired only by qualified personnel and only with original spare parts. This ensures the safety of the power tool. A list of authorized service centers can be viewed on the official P.I.T. website. link <https://pittools.ru/services/>

Storage and transportation

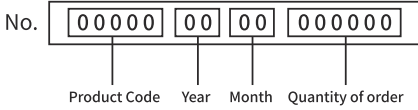
Store the instrument in closed rooms with natural ventilation in packaging at an air temperature of 0 ° C to + 50 ° C and an air humidity of no more than 80%. Products can be transported by any type of closed transport in the manufacturer's packaging or without it, while preserving the product from mechanical damage, atmospheric precipitation. Remove the battery and replacement tool from the tool before transporting it.

Disposal

 Take power tools, batteries, accessories and packaging to an environmentally friendly recovery facility.

 Do not dispose of power tools and rechargeable batteries / batteries with household waste!

Product serial number interpretation serial number



The date of manufacture of the product is encoded in the serial number printed on the body of the tool. The first 2 digits indicate the year of issue, the next 2 digits indicate the month.

TERMS OF WARRANTY SERVICE

To customers (users) of warranty service:

1. This warranty certificate is the only document that confirms your right to free warranty service. If this proof is not presented, no claims will be accepted. Warranty certificates cannot be recovered if lost or damaged.

2. It is required to provide a valid and legal document for purchasing the product. The document must have the name or seal of the sales company; at the same time, state the full model name of the purchased P.I.T. product, the serial number on the nameplate of the fuselage, and the date of purchase, and the required warranty. The whole machine and its accessories.

The warranty period:

1. The warranty period of the product is 12 months from the date of sale. During the warranty period, the service department will eliminate manufacturing defects free of charge and replace the parts that fail due to the manufacturer's fault. In warranty repair, an equivalent operable product is not provided. Replaceable parts become the property of the service provider.

2. The wear degree on the diameter of the motor rotor commutator is less than 0.4 mm (except for brushless motor tools), and the internal damage caused by the quality of the tool belongs to the warranty.

The following situations occur during the warranty period, which is not covered by the warranty:

1. In the absence of any valid legal documents (invoices) such as warranty certificates and warranty cards to prove the date of purchase.

2. Damage caused by natural wear and overload. (For example, motor rotor and stator failure caused by overload, scorching or melting of the primary winding of the welding machine transformer, charging or starting the charging

device, melting of internal parts, burning of electronic circuit boards, etc.)

3. The casing and power cord are mechanically damaged, as well as damage caused by corrosive media and high and low temperature, foreign objects entering the ventilation network of the motor, and damage caused by improper storage (corrosion of metal parts);

4. Damage caused by improper carrying, transportation and storage by users.

5. Products that are opened, repaired, replaced or modified by users themselves.

6. Any damage caused by indiscriminate use, beyond the scope of use of the tool, and not in accordance with the instructions for use and maintenance. (see chapter "Safety Precautions" in the manual);

7. The damage caused by the following situations is not guaranteed due to improper use and non-quality problems:

- (1) When the power tool is running at high speed, use the braking device to forcibly stop the rotation.
- (2) Excessive pressure is applied to the tool during the use of the tool.
- (3) Use the tool outside the scope of its purpose and capabilities.
- (4) Damage caused by the tool working in a dusty environment for a long time without timely maintenance of the tool.
- (5) Change the rotation direction of the work head before the tool stops completely.
- (6) Shock the battery or charger and replace the plug of the charger without permission, causing damage to the battery or charger.
- (7) Damage caused by two-stroke gasoline tools not being fueled in the correct proportions.

The warranty does not include:

- 1. Replacement of accessories (accessories and components) such as batteries, discs, blades, drills, chucks, chains, sprockets, collet clamps, guide rails, tension and fastening elements, dresser heads, grinders And belt sander base machine, hexagonal head, etc.;
- 2. Wearing parts, such as: carbon brushes, transmission belts, seals, protective covers, guide rollers, guide rails, rubber seals, bearings, toothed belts and wheels, shanks, brake belts, starter ratchets and ropes, piston rings Wait.

The above accessories are replaced with paid services during the warranty period;

Русский

Указания по безопасности



Указания по технике безопасности для аккумуляторной воздуходувки.

Прочтите все указания и инструкции по технике безопасности. Упущения в отношении указаний и инструкций по технике безопасности могут стать причиной поражения электрическим током, пожара и тяжелых травм.

Техника безопасности для электрической воздуходувки

Во избежание возгорания, удара током или травм соблюдайте следующие требования:

Безопасность в месте выполнения работ

- ▶ Рабочее место должно быть чистым и хорошо освещенным. Захламление и плохое освещение могут стать причиной несчастных случаев.
- ▶ Не пользуйтесь электроинструментом во взрывоопасной атмосфере, например в присутствии легко воспламеняющихся жидкостей, газов или пыли. При работе электроинструмента возникают искры, которые могут привести к воспламенению пыли или газов.
- ▶ При работе с электроинструментом не допускайте детей или посторонних к месту выполнения работ. Не отвлекайтесь во время работы, так как это приведет к потере контроля над электроинструментом.

Электробезопасность

- ▶ Вилка электроинструмента должна соответствовать сетевой розетке. Никогда не вносите никаких изменений в конструкцию розетки. При использовании электроинструмента с заземлением не используйте переходники. Розетки и вилки, не подвергавшиеся изменениям, снижают риск поражения электрическим током.
- ▶ Избегайте контакта участков тела с заземленными поверхностями, такими как трубы, радиаторы, батареи отопления и холодильники. При контакте тела с заземленными предметами увеличивается риск поражения электрическим током.
- ▶ Не подвергайте электроинструмент воздействию дождя или влаги. По-

падание воды в электроинструмент повышает риск поражения электрическим током.

- ▶ Аккуратно обращайтесь со шнуром питания. Никогда не используйте шнур питания для переноски, перемещения или извлечения вилки из розетки. Располагайте шнур на расстоянии от источников тепла, масла, острых краев и движущихся деталей. Поврежденные или запутанные сетевые шнуры увеличивают риск поражения электрическим током.
- ▶ При использовании электроинструмента вне помещения используйте удлинитель, подходящий для этих целей. Использование соответствующего шнура снижает риск поражения электрическим током.
- ▶ Если электроинструмент приходится эксплуатировать в сыром месте, подключайте электроинструмент через устройство защитного отключения. Применение устройства защитного отключения снижает риск электрического поражения.

Личная безопасность

- ▶ При использовании электроинструмента будьте бдительны, следите за тем, что вы делаете, и руководствуйтесь здравым смыслом. Не пользуйтесь электроинструментом, если вы устали, находитесь под воздействием наркотиков, алкоголя или лекарственных препаратов. Даже мгновенная невнимательность при использовании электроинструмента может привести к серьезной травме.
- ▶ Используйте средства индивидуальной защиты. Обязательно надевайте защитные очки. Такие средства индивидуальной защиты, как респиратор, защитная нескользящая обувь, каска или наушники, используемые в соответствующих условиях, позволяют снизить риск получения травмы.
- ▶ Не допускайте случайного включения устройства. Прежде чем подсоединять инструмент к источнику питания и/или аккумуляторной батарее, поднимать или переносить инструмент, убедитесь, что переключатель находится в выключенном положении. Переноска электроинструмента с пальцем на выключателе или подача питания на инструмент с включенным выключателем

лем может привести к несчастному случаю.

- ▶ **Перед включением электроинструмента снимите с него все регулировочные инструменты и гаечные ключи.** Гаечный или регулировочный ключ, оставшийся закрепленным на вращающейся детали, может привести к травме.
- ▶ **При эксплуатации устройства не тянитесь. Всегда сохраняйте устойчивое положение и равновесие.** Это позволит лучше управлять электроинструментом в непредвиденных ситуациях.
- ▶ **Одевайтесь соответствующим образом. Не надевайте свободную одежду или украшения.** Ваши волосы, одежда и перчатки должны всегда находиться на расстоянии от вращающихся деталей. Свободная одежда, украшения или длинные волосы могут попасть в движущиеся детали устройства.
- ▶ **Если имеются устройства для подключения пылесборника или вытяжки, убедитесь, что они подсоединены и правильно используются.** Использование пылесборника снижает вероятность возникновения рисков, связанных с пылью.
- ▶ **Хорошее знание электроинструментов, полученное в результате частого их использования, не должно приводить к самоуверенности и игнорированию техники безопасности обращения с электроинструментами.** Одно небрежное действие за долю секунды может привести к серьезным травмам.
- ▶ **ВНИМАНИЕ!** В случае возникновения перебоя в работе электроинструмента вследствие полного или частичного прекращения энергоснабжения или повреждения цепи управления энергоснабжением установите выключатель в положение Выкл., убедившись, что он не заблокирован (при его наличии). Отключите сетевую вилку от розетки или отсоедините съёмный аккумулятор. Этим предотвращается неконтролируемый повторный запуск.
- ▶ **Квалифицированный персонал в соответствии с настоящим руководством подражает лицам, которые знакомы с регулировкой, монтажом, вводом в эксплуатацию обслуживанием электроинструмента.**
- ▶ **К работе с электроинструментом допу-**

скаются лица не моложе 18 лет, изучившие техническое описание, инструкцию по эксплуатации и правила безопасности.

- ▶ Изделие не предназначено для использования лицами (включая детей) с пониженными физическими, чувственными или умственными способностями или при отсутствии у них жизненного опыта или знаний, если они не находятся под контролем или не проинструктированы об использовании электроинструмента лицом, ответственным за их безопасность.

Использование И Уход За Электроинструментом

- ▶ **Не прилагайте излишних усилий к электроинструменту. Используйте инструмент, соответствующий выполняемой вами работе.** Правильно подобранный электроинструмент позволит выполнить работу лучше и безопаснее с производительностью, на которую он рассчитан.
- ▶ **Не пользуйтесь электроинструментом с неисправным выключателем.** Любой электроинструмент с неисправным выключателем опасен и должен быть отремонтирован.
- ▶ **Перед выполнением регулировок, сменой принадлежностей или хранением электроинструмента всегда отключайте его от источника питания и/или от аккумулятора.** Такие превентивные меры предосторожности снижают риск случайного включения электроинструмента.
- ▶ **Храните электроинструменты в местах, недоступных для детей, и не позволяйте лицам, не знакомым с работой такого инструмента или не прочитавшим данные инструкции, пользоваться им.** Электроинструмент опасен в руках неопытных пользователей.
- ▶ **Выполняйте техническое обслуживание электроинструментов. Убедитесь в соосности, отсутствии деформаций движущихся узлов, поломки каких-либо деталей или других дефектов, которые могут повлиять на работу электроинструмента. Если инструмент поврежден, отремонтируйте его перед использованием.** Большое число несчастных случаев происходит

из-за плохого ухода за электроинструментом.

- ▶ **Используйте электроинструмент, принадлежности, приспособления и насадки в соответствии с данными инструкциями и в целях, для которых он предназначен, учитывая при этом условия и вид выполняемой работы.** Использование электроинструмента не по назначению может привести к возникновению опасной ситуации.

Применение и обслуживание аккумулятора

- ▶ **Аккумулятор поставляется не полностью заряженным.** Для обеспечения полной мощности аккумулятора зарядите его полностью перед первым применением.
- ▶ **Используйте аккумуляторную батарею только в комбинации с Вашим инструментом P.I.T.** Только так вы сможете предотвратить опасную перегрузку аккумулятора.
- ▶ **Заряжайте аккумуляторы только в зарядных устройствах, рекомендуемых изготовителем.** Зарядное устройство, предусмотренное для определенного вида аккумуляторов, может привести к пожарной опасности при использовании его с другими аккумуляторами.
- ▶ **Применяйте в электроинструментах только предусмотренные для этого аккумуляторы.** Использование других аккумуляторов может привести к травмам и пожарной опасности.
- ▶ **Убедитесь, что инструмент выключен, прежде чем вставлять аккумуляторную батарею.** Установка аккумуляторной батареи во включенный инструмент может привести к несчастному случаю.
- ▶ **Проверьте аккумуляторную батарею на прочность посадки.** Она имеет две ступени фиксации.

Важные правила техники безопасности для работы с аккумуляторным блоком.

ВНИМАНИЕ: Используйте только фирменные аккумуляторные батареи P.I.T. Использование аккумуляторных батарей, не произведенных P.I.T., или батарей, которые были подвергнуты модификациям, может привести к взрыву аккумулятора, пожару, травмам и повреждению имущества. Это

также автоматически аннулирует гарантию P.I.T. на инструмент и зарядное устройство P.I.T.

- ▶ **Перед использованием аккумуляторного блока прочитайте все инструкции и предупреждающие надписи на зарядном устройстве, аккумуляторном блоке и инструменте, работающем от аккумуляторного блока.**
- ▶ **Не разбирайте аккумуляторный блок.**
- ▶ **Не роняйте и не ударяйте аккумуляторный блок.**
- ▶ **Не используйте поврежденный аккумуляторный блок**
- ▶ **Если время работы аккумуляторного блока значительно сократилось, немедленно прекратите работу.** В противном случае, может возникнуть перегрев блока, что приведет к ожогам и даже к взрыву.
- ▶ **В случае попадания электролита в глаза промойте их обильным количеством чистой воды и немедленно обратитесь к врачу.** Это может привести к потере зрения.
- ▶ **Не замыкайте контакты аккумуляторного блока между собой:**
 - (1) Не прикасайтесь к контактам какими-либо токопроводящими предметами.
 - (2) Не храните аккумуляторный блок в контейнере вместе с другими металлическими предметами, такими как гвозди, монеты и т.п.
 - (3) Не допускайте попадания на аккумуляторный блок воды или дождя. Замыкание контактов аккумуляторного блока между собой может привести к возникновению большого тока, перегреву, возможным ожогам и даже поломке блока.
- ▶ **Не храните инструмент и аккумуляторный блок в местах, где температура может достигать или превышать 50 °C (122 °F).**
- ▶ **Не бросайте аккумуляторный блок в огонь, даже если он сильно поврежден или полностью вышел из строя.** Аккумуляторный блок может взорваться под действием огня.
- ▶ **При повреждении и ненадлежащем использовании аккумулятора может выделиться газ.** Обеспечьте приток свежего воздуха и при возникновении жалоб обратитесь к врачу. Газы могут вызвать раздражение дыхательных путей.
- ▶ **Время от времени прочищайте вен-**

тиляционные прорези аккумулятора мягкой, сухой и чистой кисточкой.

- ▶ Заряжайте блок аккумуляторов не допуская его полной разрядки. Обязательно прекратите работу с инструментом и зарядите блок, если вы заметили снижение мощности инструмента.
- ▶ Никогда не подзаряжайте полностью заряженный блок аккумуляторов. Перезарядка сокращает срок службы аккумулятора.
- ▶ Заряжайте блок аккумуляторов при комнатной температуре. Перед зарядкой горячего блока аккумуляторов дайте ему остыть.
- ▶ Зарядите литий-ионный аккумуляторный блок, если вы не будете пользоваться инструментом длительное время (более шести месяцев).
- ▶ Не вскрывайте аккумулятор, При этом возникает опасность короткого замыкания.
- ▶ Защищайте аккумуляторную батарею от высоких температур, например, от длительного нагревания на солнце, от огня, воды и влаги. Существует опасность взрыва.
- ▶ Храните аккумулятор в диапазоне температур от 0 до 45°C. Не оставляйте аккумулятор летом в автомобиле.
- ▶ Входящие в комплект литий-ионные аккумуляторы должны эксплуатироваться в соответствии с требованиями законодательства об опасных товарах. При коммерческой транспортировке, например, третьей стороной или экспедитором, необходимо нанести на упаковку специальные предупреждения и маркировку. В процессе подготовки устройства к отправке обязательно проконсультируйтесь со специалистом по опасным материалам. Также соблюдайте местные требования и нормы. Они могут быть строже. Закройте или закрепите разомкнутые контакты и упакуйте аккумулятор так, чтобы он не перемещался по упаковке.
- ▶ Выполняйте требования местного законодательства относительно утилизации аккумуляторного блока.

Указания по технике безопасности для воздуходувок

- ▶ Всегда используйте защитные очки, каску и респиратор при использовании воздуходувки.

- ▶ При использовании воздуходувки никогда не направляйте форсунку на кого-либо, находящегося поблизости.
- ▶ При удалении пыли, щепы и подобного материала всегда пользуйтесь пылесборным мешком.
- ▶ Не собирайте тлеющий пепел сигарет, стружку только что отрезанного металла, винты, гвозди и подобные материалы. Внимание - при использовании на влажных поверхностях возникает опасность поражения электрическим током. Не подвергайте воздействию дождя. Храните внутри помещения.
- ▶ Никогда не блокируйте отверстие всасывания и/или выпускное отверстие воздуходувки. Учелюченная скорость вращения двигателя может привести к опасной поломке вентилятора.
- ▶ Воздуходувка не предназначена для использования детьми или немощными людьми без надзора.
- ▶ Необходимо следить за тем, чтобы дети не играли с воздуходувкой.
- ▶ Следите за тем, чтобы просторная одежда не попала в систему подачи воздуха, поскольку это чревато травмами.
- ▶ Следите за тем, чтобы длинные волосы не попали в систему подачи воздуха, поскольку это чревато травмами.
- ▶ Не сдувайте грязь/листья в направлении находящихся поблизости людей.
- ▶ Не помещайте какие-либо предметы внутрь трубок воздуходувки.

Описание продукта и услуг

Прочтите все указания и инструкции по технике безопасности. Упущения в отношении указаний и инструкций по технике безопасности могут стать причиной поражения электрическим током, пожара и тяжелых травм.

Применение по назначению

аккумуляторная воздуходувка предназначена для очистки территории от мелкого мусора и листвы.

Имеет функции выдува и всасывания, что расширяет возможности аппарата.

Благодаря работе от аккумулятора, агрегат не выделяет вредных выхлопов в атмосферу, что позволяет использовать его в

помещении.

Изображенные составные части

Общий вид инструмента представлен на странице с иллюстрациями.

1. Курковый выключатель
2. Впускное отверстие всасывания
3. Съёмный патрубок
4. Аккумулятор
5. Кнопка снятия Аккумулятора

Не все проиллюстрированные или описанные аксессуары входят в стандартную комплектацию.

Технические характеристики

Модель	PBO20H-300A
Напряжение	DC 20 В
Макс. объем воздуха	0-2,8 м ³ /мин
Частота вращения	0-18000 об/мин
Вес	1.95 кг

Комплект поставки

Электрическая Воздуходувка	1 шт
Съемный патрубок	1 шт
Пылесборник	1 шт
Руководство по эксплуатации	1 шт

Примечание

В тексте и цифровых обозначениях инструкции могут быть допущены технические ошибки и опечатки.

Так как инструмент P.I.T. постоянно совершенствуется, компания оставляет за собой право вносить изменения в указанные здесь технические характеристики и комплектацию без предварительного уведомления.

Работа с инструментом

ПРЕДУПРЕЖДЕНИЕ:

- Перед проведением регулировки или проверки работы инструмента всегда проверяйте, что инструмент выключен, а аккумулятор извлечен.

Включение/Выключение (Рис. 1)

Нажмите выключатель(1), чтобы запустить машину.

Отпустите выключатель, чтобы остановить.

Контроль скорости(Рис. 1)

Увеличьте давление на триггерный переключатель(1), чтобы увеличить скорость

Установка или извлечение аккумулятора (Рисунок 6).

При установке аккумулятора следуйте направлению стрелки А. Вы услышите щелчок, указывающий на то, что аккумулятор

установлен.

При извлечении аккумулятора следуйте направлению стрелки В, нажать кнопку фиксатора и следуйте направлению стрелки с, чтобы вытащить аккумулятор.

Эксплуатация

ПРЕДУПРЕЖДЕНИЕ:

- При выполнении работ обязательно держите инструмент за ручку (Рис. 2). Не касайтесь металлических деталей.
- Не используйте инструмент для накачивания каких-либо предметов, например надувных матрасов, мячей и пр. Работа электродвигателя на повышенных оборотах может привести к опасному повреждению воздуходувки.

Нагнетание воздуха (рис. 3)

Для продувки и установите патрубок (1) на выходное отверстие воздуходувки (2). Поверните его по часовой стрелке до щелчка.

Режим всасывания (рис. 4)

Для всасывания установите патрубок (3) на всасывающее отверстие (4), а мешок для сбора пыли (1) — на выходное отверстие воздуходувки (2). Поверните по часовой стрелке до щелчка.

Когда мешок заполнится, опорожните содержимое пылесборного мешка в мусорную корзину. (Рис. 5)

Техобслуживание И Сервис

Техобслуживание и очистка

ВНИМАНИЕ! Перед проверкой или проведением техобслуживания убедитесь, что инструмент выключен, а штекер отсоединен от розетки.

- Каждый раз по окончании работы рекомендуется очищать корпус инструмента и вентиляционные отверстия от грязи и пыли мягкой тканью или салфеткой. Устойчивые загрязнения рекомендуется устранять при помощи мягкой ткани, смоченной в мыльной воде. Недопустимо использовать для устранения загрязнений растворители: бензин, спирт, аммиачные растворы и т.п. Применение растворителей может привести к повреждению корпуса инструмента.
- Инструмент не требует дополнительной смазки.

Сервис

► Ремонт вашего электроинструмента поручайте только квалифицированному персоналу и только с применением оригинальных запасных частей. Этим обеспечивает

ся безопасность электроинструмента.

Список авторизованных сервисных центров можно посмотреть на официальном сайте P.I.T. по ссылке <https://pittools.ru/servises/>

Хранение и транспортировка

Храните инструмент в закрытых помещениях с естественной вентиляцией в упаковке при температуре воздуха от 0°C до +50°C и влажности воздуха не более 80%. Транспортировать продукцию можно любым видом закрытого транспорта в упаковке производителя или без нее, с сохранением изделия от механических повреждений, атмосферных осадков. Перед транспортировкой извлеките аккумулятор и сменный инструмент из инструмента.

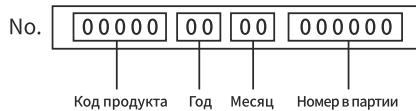
Утилизация



Электроинструменты, аккумуляторные батареи, принадлежности и упаковку нужно сдавать на экологически чистую рекуперацию.

Не выбрасывайте электроинструменты и аккумуляторные батареи/батарейки в бытовой мусор!

Расшифровка даты изготовления изделия



Дата изготовления изделия зашифрована в серийном номере, напечатанном на корпусе инструмента. Первые 2 цифры обозначают год выпуска, следующие 2 цифры – месяц.

УСЛОВИЯ ГАРАНТИЙНОГО ОБСЛУЖИВАНИЯ

1. Настоящее гарантийное свидетельство является единственным документом, подтверждающим ваше право на бесплатное гарантийное обслуживание. Без предъявления данного свидетельства претензии не принимаются. В случае утери или порчи гарантийное свидетельство не восстанавливается.

2. Гарантийный срок указан в гарантийном сертификате. В течение гарантийного срока сервисная служба бесплатно устраняет производственные дефекты и производит замену деталей, вышедших из строя по вине изготовителя. На период гарантийного ремонта эквивалентный исправный инструмент не предоставляется. Заменяемые

детали переходят в собственность служб сервиса.

Компания P.I.T. не несет ответственности за вред, который может быть причинен при работе с электроинструментом.

3. В гарантийный ремонт инструмент принимается в чистом виде, при обязательном наличии надлежащим образом оформленных документов: настоящего гарантийного свидетельства, гарантийного талона, с полностью заполненными полями, штампом торговой организации и подписью покупателя.

4. Гарантийный ремонт не производится в следующих случаях:

- при отсутствии гарантийного свидетельства и гарантийного талона или неправильном их оформлении;

- степень износа диаметра коллектора ротора двигателя превышает 0,4 мм (за исключением инструментов с бесщеточным двигателем);

- при совместном выходе из строя якоря и статора электродвигателя, при обугливание или оплавлении первичной обмотки трансформатора сварочного аппарата, зарядного или пуско-зарядного устройства, при оплавлении внутренних деталей, прожиге электронных плат и других случаях;

- если гарантийное свидетельство или талон не принадлежит данному электроинструменту или не соответствует установленному поставщиком образцу;

- по истечении срока гарантии;

- при попытках самостоятельного вскрытия или ремонта электроинструмента вне гарантийной мастерской;

- внесения конструктивных изменений и смазки инструмента в гарантийный период, о чем свидетельствуют, например, заломы на шлицевых частях крепежа корпусных деталей;

- при использовании электроинструмента в производственных или иных целях, связанных с получением прибыли, а также при возникновении неисправностей связанных с нестабильностью параметров электросети, превышающих нормы, установленные ГОСТ;

- при неправильной эксплуатации, использованию электроинструмента не по назначению, указанному в инструкции по эксплуатации, установке на электроинструмент не предназначенных заводом-изготовителем насадок, дополнительных приспособлений и т.п.;

- при механических повреждениях корпуса, сетевого шнура и при повреждениях, вызванных воздействиями агрессивных средств и высоких и низких температур, попадании инородных предметов в вентиляционные решетки электроинструмента, а также при повреждениях, наступивших в результате неправильного хранения (коррозия металлических частей);
- при естественном износе деталей электроинструмента, в результате длительной эксплуатации (определяется по признакам полной или частичной выработки ресурса, сильного загрязнения, ржавчины снаружи и внутри электроинструмента, отработанной смазки в редукторе);
- при возникновении повреждений в связи с несоблюдением предусмотренных инструкцией условий эксплуатации (см. главу «Указание по технике безопасности» в инструкции).
- при повреждении изделия вследствие несоблюдения правил хранения и транспортировки;
- при сильном внутреннем загрязнении инструмента;
- при работе с перегрузкой бензоинструмента, изменении цвета чашки и муфты сцепления в результате перегрева;
- при обрыве шнура стартера при условии исправности остальных деталей пускового устройства;
- на все виды работ, выполняемые при периодическом техническом обслуживании (регулировки, чистке, замене расходных материалов и др.);
- на неисправности, возникшие в результате нарушения требований и правил эксплуатации, установленным паспортом изделия. Например, перегрев изделия, несоблюдение требований к составу и качеству топливной смеси, повлекших выход из строя поршневой группы (безусловным признаком этого является залегание поршневого кольца и/или наличие царапин и потертостей на внутренней поверхности цилиндра и поверхности поршня, разрушение или оплавление опорных подшипников шатуна и поршневого пальца);
- на внешние и внутренние загрязнения, царапины, трещины, повреждения, возникшие в процессе эксплуатации или транспортировки.
- при работе электроинструментом с перегрузкой и заклиниванием оснастки, о чем свидетельствуют задиры, изменение цвета

от температуры упорных и прижимных шайб, зажимного патрона, выхода из строя редуктора.

Профилактическое обслуживание электроинструмента (чистка, промывка, смазка, замена пыльников, поршневых и уплотнительных колец) в гарантийный период является платной услугой.

Срок службы изделия составляет 3 года.

Срок хранения – 2 года. Не рекомендуется к эксплуатации по истечении 2 лет хранения с даты изготовления, которая указана в серийном номере на этикетке инструмента, без предварительной проверки (определение даты выпуска смотрите ранее в Руководстве пользователя).

О возможных нарушениях, изложенных выше условий гарантийного обслуживания, владельцу сообщается после проведения диагностики в сервисном центре. Владелец инструмента доверяет проведение диагностики в сервисном центре в свое отсутствие.

Запрещается эксплуатация электроинструмента при проявлении признаков повышенного нагрева, искрения, а также шума в редукторной части. Для выяснения причин неисправности покупателю следует обратиться в гарантийную мастерскую.

Неисправности, вызванные несвоевременной заменой угольных щеток двигателя, устраняются за счет покупателя.

5.Гарантия не распространяется на:

- сменные принадлежности (аксессуары и оснастка), например: аккумуляторы, диски, ножи, сверла, буры, патроны, цепи, звездочки, цанговые зажимы, шины, элементы натяжения и крепления, головки триммеров, подошвы шлифовальных и ленточных машин, фильтры, головки шестигранные сменные насадки и т.п.

- быстроизнашивающиеся детали, например: угольные щетки, приводные ремни, сальники, защитные кожухи, направляющие ролики, направляющие, резиновые уплотнения, подшипники, зубчатые ремни и колеса, стволы, ленты тормоза, храповики и тросы стартеров, поршневые кольца и т.п.

Замена их в течение гарантийного срока является платной услугой.

- шнуры питания, в случае повреждения изоляции. В данном случае потребитель должен быть уведомлен и ремонт (услуга платная) должен быть выполнен после согласия потребителя. Если потребитель не

согласен на замену, то в любом ремонте этого инструмента будет отказано. Факт отказа должен быть зафиксирован в гарантийном талоне или квитанции сервисного центра и подписан владельцем.

P.I.T. WARRANTY CERTIFICATE

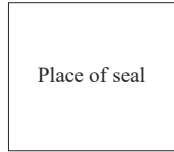
Product Name _____

Product Serial Number

Charger Serial Number

Sale Date _____

Trade Organization Name _____



Dear customer!

Thank you for purchasing the P.I.T. tool, and we hope that you will be satisfied with your choice. In the process of manufacturing the P.I.T. tools pass multilevel quality control, if nevertheless your product will need maintenance, please contact the authorized P.I.T. service centers.

Attention!

When buying, ask a seller to check the completeness and operability of the tool, to fill out the Warranty Certificate, the Warranty Card (the boxes shall be filled out by a seller) and to affix the seal of the trade organization in the Guarantee Certificate and the Warranty Card.

Warranty

By this Warranty Certificate, P.I.T. company guarantees the absence of defects of the production nature.

In the event any of the above defects are detected during the warranty period, the specialized P.I.T. service centers shall repair the product and replace the defective spare parts free of charge.

The warranty period for P.I.T. electric machines is 12 months from the date of sale.

“The warranty maintenance terms acknowledged and accepted. The operability and completeness of the product are checked in my presence. No claims on quality and appearance.”

Buyer’s Signature _____ Surname (legibly) _____

Phone _____

ГАРАНТИЙНОЕ СВИДЕТЕЛЬСТВО НА ИНСТРУМЕНТ P.I.T.

Наименование изделия _____

Серийный номер изделия □□□□□□□□□□

Серийный номер зарядного устройства □□□□□□□□□□

Дата продажи « ____ » _____

Наименование торговой организации _____

Уважаемый покупатель!



Благодарим Вас за покупку инструмента P.I.T. и надеемся, что Вы останетесь довольны своим выбором.

При необходимости обслуживания Вашего изделия обращайтесь в авторизованные сервисные центры P.I.T. Все сервисные центры представлены на сайте www.pittools.ru

Внимание!

При покупке требуйте у продавца проверки работоспособности инструмента и его комплектности, а также заполнения гарантийного свидетельства, гарантийного талона (графы «Заполняются продавцом») и простановки печати торговой организации в гарантийном свидетельстве и гарантийных талонах.

Гарантия

На основании данного гарантийного свидетельства компания P.I.T. гарантирует отсутствие дефектов производственного характера.

Если в течение гарантийного срока в Вашем изделии обнаружатся указанные дефекты, то специализированные сервисные центры P.I.T. бесплатно отремонтируют изделие и заменят дефектные запасные части.

Гарантийный срок на электроинструменты P.I.T. составляет 12 месяцев со дня продажи.

«С условиями гарантийного обслуживания ознакомлен(а). Работоспособность и комплектность изделия проверены в моем присутствии. Претензий к качеству и внешнему виду не имею».

Подпись покупателя _____ Фамилия (разборчиво)

Телефон _____

P.I.T. WARRANTY CARD

Name _____ Serial Number _____ Sale Date _____ 20__ Date of Receipt from Repair _____ 20__	P.I.T.		№ 1
	Name _____		Place of Seal
	Serial Number _____		
	Sale Date _____ 20__		
	(Filled out by a Seller)		
	WARRANTY REPAIR CARD		
	Date of Acceptance for Repair _____ 20__		
	Application for Repair _____		
	Customer _____		
	Phone (Address) _____		
Cause of Application _____			
Date of Receipt from Repair _____ 20__			
The Tool is checked in my presence _____			
(The Order shall be performed in a Service Center) (Signature)			

Name _____ Serial Number _____ Sale Date _____ 20__ Date of Receipt from Repair _____ 20__	P.I.T.		№ 2
	Name _____		Place of Seal
	Serial Number _____		
	Sale Date _____ 20__		
	(Filled out by a Seller)		
	WARRANTY REPAIR CARD		
	Date of Acceptance for Repair _____ 20__		
	Application for Repair _____		
	Customer _____		
	Phone (Address) _____		
Cause of Application _____			
Date of Receipt from Repair _____ 20__			
The Tool is checked in my presence _____			
(The Order shall be performed in a Service Center) (Signature)			

Name _____ Serial Number _____ Sale Date _____ 20__ Date of Receipt from Repair _____ 20__	P.I.T.		№ 3
	Name _____		Place of Seal
	Serial Number _____		
	Sale Date _____ 20__		
	(Filled out by a Seller)		
	WARRANTY REPAIR CARD		
	Date of Acceptance for Repair _____ 20__		
	Application for Repair _____		
	Customer _____		
	Phone (Address) _____		
Cause of Application _____			
Date of Receipt from Repair _____ 20__			
The Tool is checked in my presence _____			
(The Order shall be performed in a Service Center) (Signature)			

ГАРАНТИЙНЫЙ ТАЛОН P.I.T.

P.I.T.

Талон № 1

Наименование _____

Серийный номер _____

Дата продажи « ____ » _____ 20__

(Заполняется продавцом)

КАРТА ГАРАНТИЙНОГО РЕМОНА

Дата приема ремонт _____ 20__

Заявка на ремонт _____

Заказчик _____

Телефон (адрес) _____

Причина обращения _____

Дата получения от ремонта _____ 20__

Инструмент проверен в моем присутствии _____

(Заказ заполняется в Сервисном Центре) (Подпись)

Место печати
или штампа

Наименование _____
 Серийный номер _____
 Дата продажи _____ 20__
 Дата получения от ремонта _____ 20__

P.I.T.

Талон № 2

Наименование _____

Серийный номер _____

Дата продажи « ____ » _____ 20__

(Заполняется продавцом)

КАРТА ГАРАНТИЙНОГО РЕМОНА

Дата приема ремонт _____ 20__

Заявка на ремонт _____

Заказчик _____

Телефон (адрес) _____

Причина обращения _____

Дата получения от ремонта _____ 20__

Инструмент проверен в моем присутствии _____

(Заказ заполняется в Сервисном Центре) (Подпись)

Место печати
или штампа

Наименование _____
 Серийный номер _____
 Дата продажи _____ 20__
 Дата получения от ремонта _____ 20__

P.I.T.

Талон № 3

Наименование _____

Серийный номер _____

Дата продажи « ____ » _____ 20__

(Заполняется продавцом)

КАРТА ГАРАНТИЙНОГО РЕМОНА

Дата приема ремонт _____ 20__

Заявка на ремонт _____

Заказчик _____

Телефон (адрес) _____

Причина обращения _____

Дата получения от ремонта _____ 20__

Инструмент проверен в моем присутствии _____

(Заказ заполняется в Сервисном Центре) (Подпись)

Место печати
или штампа

Наименование _____
 Серийный номер _____
 Дата продажи _____ 20__
 Дата получения от ремонта _____ 20__



P.I.T.

Media account

 [pit_global](#)  [PIT Global](#)  [YouTube](#) [PIT Global](#)

 +7 7073005064 +86 15305798923  bod@pit-tools.com  www.pit-tools.com/