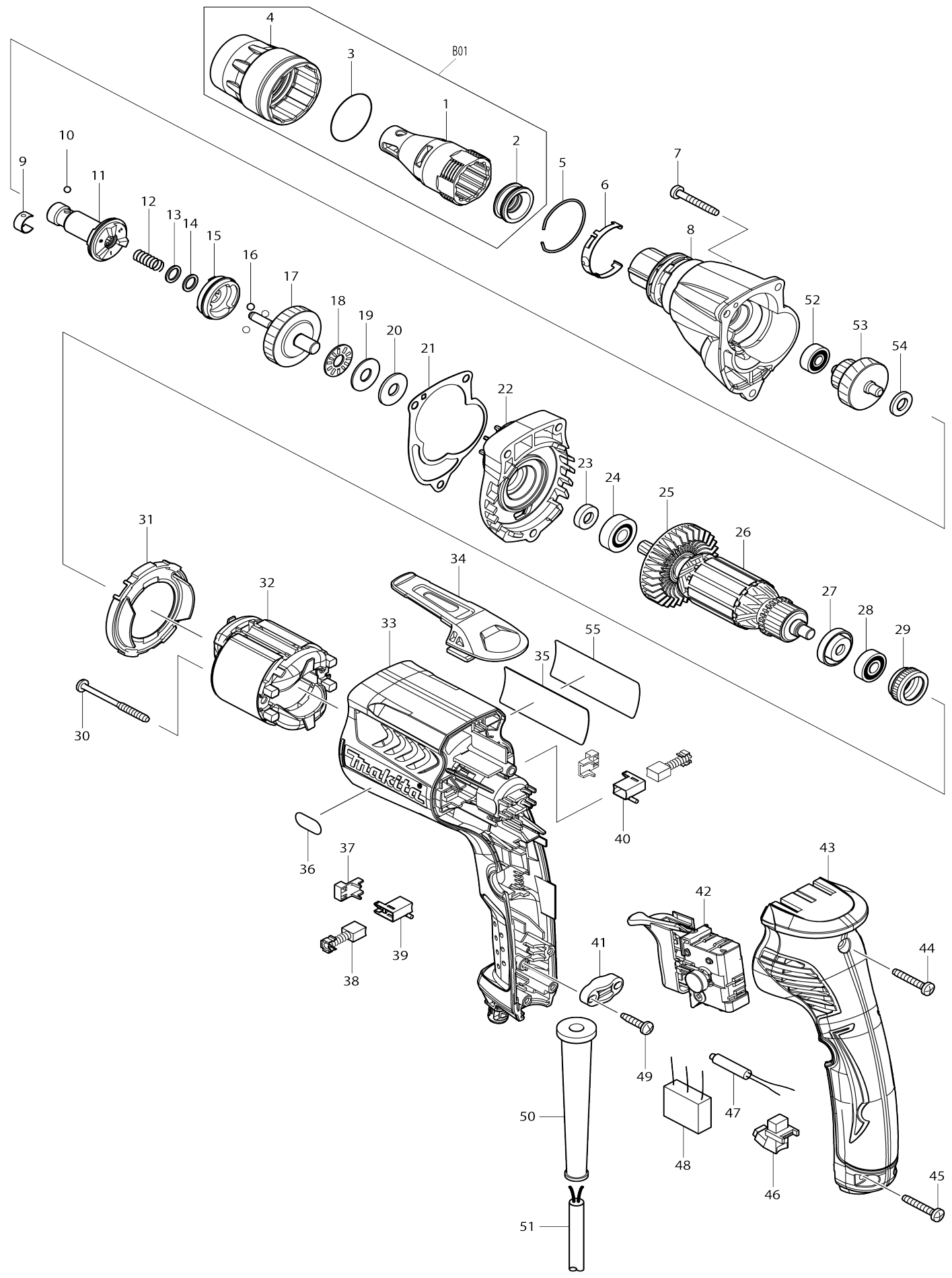


Model No.FS2300 DRYWALL SCREWDRIVER



Model No.FS2300 DRYWALL SCREWDRIVER

Item No.	Parts No.	Description	Interchangability	Q'ty	New/Old	Note1	Note2
001	158875-2	LOCATOR S COMPLETE		1			
002	424163-2	DUST SEAL SLEEVE		1			
003	424235-3	SEAL RING 30		1			
004	450881-6	LOCK RING		1	*		
004-1	455591-0	LOCK RING	O	1			
005	233974-2	RING SPRING 33		1			
006	232245-4	LEAF SPRING		1			
007	266361-0	TAPPING SCREW 4X30		3			
008	158895-6	GEAR HOUSING LS COMPLETE		1	*		
008-1	142299-2	GEAR HOUSING LS COMPLETE	O	1			
009	232050-9	LEAF SPRING		1			
010	216001-0	STEEL BALL 3.5		1			
011	158886-7	SPINDLE 125S COMPLETE		1			
012	234121-8	COMPRESSION SPRING 8		1			
013	267202-3	FLAT WASHER 8		1			
014	267202-3	FLAT WASHER 8		1			
015	223170-0	CLUTCH CAM 125S		1			
016	216008-6	STEEL BALL 4		3			
017	158891-4	SPUR GEAR 35S COMPLETE		1			
018	216415-3	THRUST NEEDLE CAGE 821		1	*		
018-1	216415-3	THRUST NEEDLE CAGE 821	O	1			
019	216212-7	WASHER 821		1			
020	261111-8	URETHANE WASHER 8		1			
021	442149-4	GASKET		1			
022	158982-1	GEAR HOUSING COVER COMPLETE		1			
023	451099-2	RING 7		1			
024	210007-0	BALL BEARING 608VV		1			
025	240083-0	FAN 52		1			
026	515764-8	ARMATURE ASSEMBLY 240V		1			
D10		INC. 23-25,27,28					
027	681636-0	INSULATION WASHER		1			
028	210062-2	BALL BEARING 607ZZ		1			
029	421868-5	LABYRINTH RUBBER RING 19		1			
030	266467-4	TAPPING SCREW 4X50		2			
031	450880-8	BAFFLE PLATE		1			
032	633693-4	FIELD 220-240V		1			
033	450878-5	MOTOR HOUSING L		1			
034	162272-6	HOOK		1			
035	867019-0	FS2300 NAME PLATE		1			
036	808574-3	INDICATION LABEL		1			
037	689111-0	SPACER		2			
038	191962-4	CARBON BRUSH CB-419		1			
039	643952-8	BRUSH HOLDER		1			
040	643953-6	BRUSH HOLDER		1			
041	687124-5	STRAIN RELIEF		1			
042	650614-1	SWITCH		1			
043	158878-6	HANDLE COVER L COMPLETE		1			

C10	263002-9	RUBBER PIN 4		2		
044	266374-1	TAPPING SCREW 4X25		1		
045	266374-1	TAPPING SCREW 4X25		2		
046	631939-2	LIGHT CIRCUIT		1		
047	646122-8	CHOKE COIL		1		
048	645253-0	NOISE SUPPRESSOR		1		
049	265995-6	TAPPING SCREW 4X18		2		
050	682559-5	CORD GUARD 8		1		
051	695034-2	POWER SUPPLY CORD 1.0-2-4.0		1		
052	211012-0	BALL BEARING 606ZZ		1		
053	226157-1	GEAR COMPLETE 17-39		1		
054	267017-8	FLAT WASHER 8		1		
055	819349-5	CLEAR LABEL		1	*	
055-1	892811-5	CLEAR LABEL		1		
056	423413-2	RUBBER PLATE		1		
A01	784261-7	+BIT 2-25		2		
A02	784811-8	MAGNETIC CONNECT BIT 6.35-60		1		
B01	197025-4	LOCATOR S SET		1		
D10		INC. 1-4				
F12	199156-5	SQUARE BIT 2-130 SET		1		
F14-2	191L23-2	AUTOFEED ATTACHMENT SET	<	1		
F16-2	191L24-0	AUTOFEED ATTACHMENT SET	<	1		

Please state Parts No. when your order.

Print Date 23/10/2023