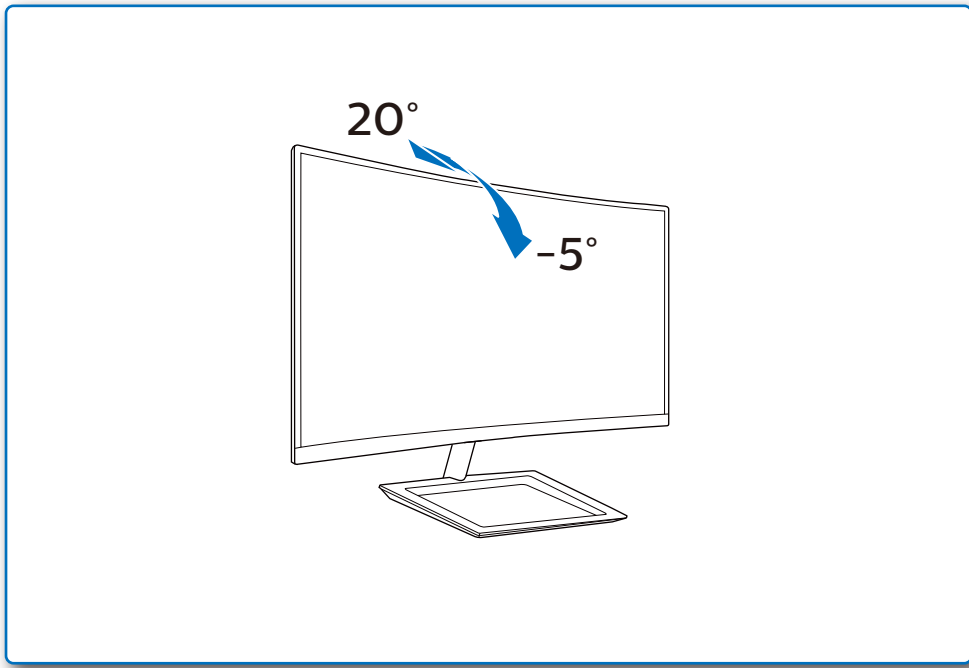


GRAPHIC DEVELOPMENT MMD	
Product name	
Project name	
Project no.	
Finishing	Folded sheet
Scale	1:1
Size Spreads	594 (W) x 210 (H) mm
Size	148.5 (W) x 210 (H) mm
Operator(s)	
Date amended	
VERSION No.	13
APPROVAL	
QC Lithographer	
Product Manager	
Date Check	
ARTWORK DOCUMENT	
Paper	80gsm White, woodfree coated
Numbers of colours	2Cx2C
Spotcolor	
Aftertreatment	
<input type="checkbox"/> Cropping	
<input type="checkbox"/> Coating	
<input type="checkbox"/> Varnishing	
<input type="checkbox"/> Embossing	
<input type="checkbox"/> Cutterguide	
<input type="checkbox"/> Die-cut	
<input type="checkbox"/> Binding	
<input type="checkbox"/> Glue	

4



EN Need help?
Online help: www.philips.com/support

SC 需要帮助?
在线帮助: www.philips.com/support

FR Besoin d'Aide ?
Aide en ligne: www.philips.com/support

ES ¿Necesita ayuda?
Ayuda en línea: www.philips.com/support

DE Benötigen Sie Hilfe?
Online-Hilfe: www.philips.com/support

IT Avete bisogno di aiuto?
Guida in linea: www.philips.com/support

BR Precisa ajuda?
Ajuda online: www.philips.com/support

KO 도움이 필요하신가요?
온라인 도움말: www.philips.com/support

UK Потребуєте допомоги?
Підтримка он-лайн: www.philips.com/support

RU Нужна помощь?
Интерактивная справка:
www.philips.com/support

TR Yardıma ihtiyacınız var mı?
Online yardım: www.philips.com/support

HI क्या सहायता की जरूरत है?
ऑनलाइन सहायता: www.philips.com/support

AR هل تريد المساعدة?
www.philips.com/support للمساعدة عبر الإنترنت

JP ヘルプが必要ですか?
オンラインヘルプ: www.philips.com/support

Version: M1325ECQ1WWT
2019 © TOP Victory Investment Ltd. All rights reserved.

This product has been manufactured by and is sold under the responsibility of Top Victory Investments Ltd., and Top Victory Investments Ltd. is the warrantor in relation to this product. Philips and the Philips Shield Emblem are registered trademarks of Koninklijke Philips N.V. and are used under license.

Specifications are subject to change without notice.

www.philips.com

HDMI

HDMI trademark and related patents on technologies belong to their respective owners.



Printed in China



Q41G32M181355A

PHILIPS

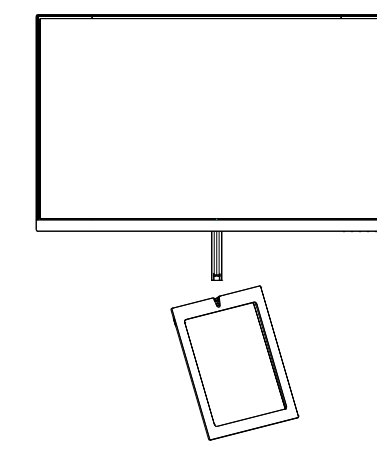
E line

325E1



Quick Start

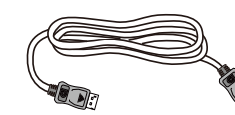
Register your product and get support at
www.philips.com/welcome



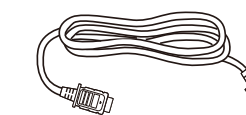
Power



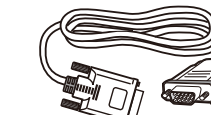
* CD



* DP



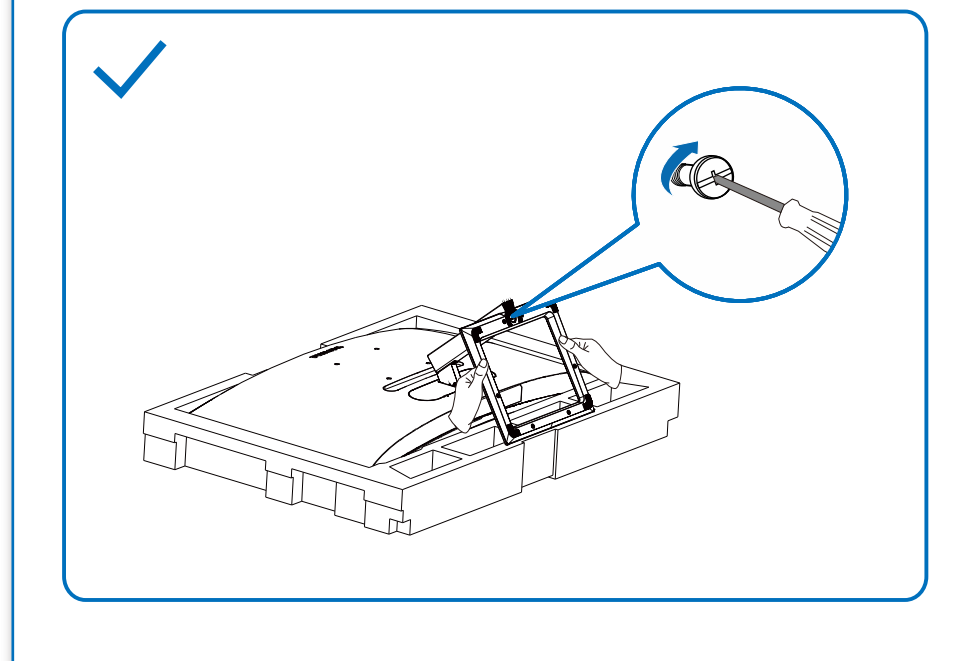
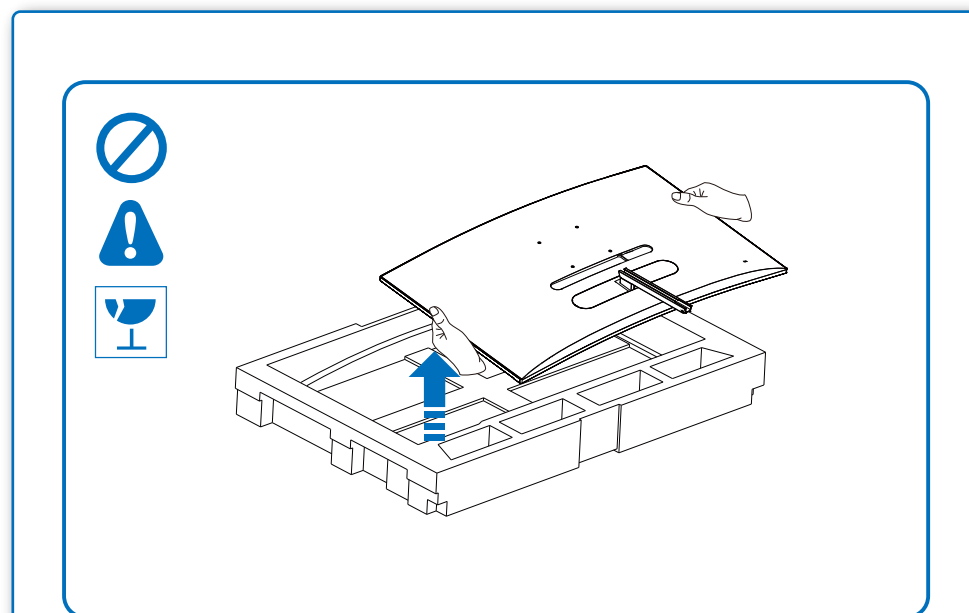
* HDMI



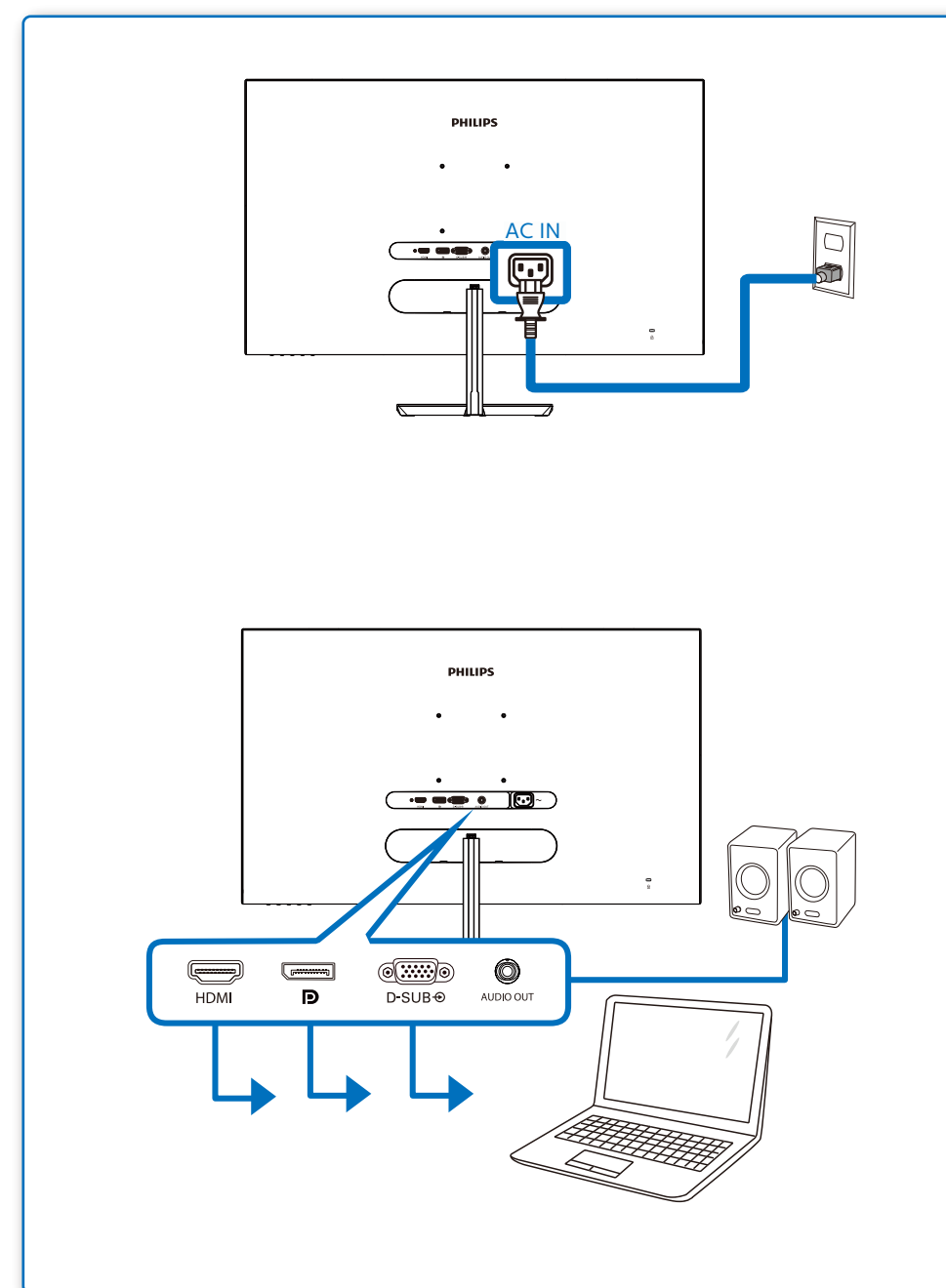
* VGA

* Different according to region.
Display design may differ from those illustrated.

1



2



3

