

DH-IPC-HFW1230M-A-I2-B-S5

2MP Entry IR Fixed Focal Bullet Network Camera



- 2MP 1/2.8" CMOS image sensor, low illuminance, high image definition
- Outputs max. 2MP (1920 × 1080) @25/30 fps
- H.265 codec, high compression rate, ultra-low bit rate
- Built-in efficient IR illuminator, and the max. illumination distance is 80 m
- ROI, SMART H.264+/H.265+, flexible coding, applicable to various bandwidth and storage environments
- Rotation mode, DWDR, 3D NR, HLC, BLC, digital watermarking, applicable to various monitoring scenes
- Abnormality detection:
 - Abnormality detection: Motion detection, video tampering, network disconnection, IP conflict, and illegal access
- Built-in Mic
- 12V DC/PoE power supply
- IP67 protection

Series Overview

With features of simple installation, easy operation, and high performance-cost ratio, Dahua Entry series network camera is applicable to small and medium-sized scenes, such as homes/residences, small-sized retail stores, and other small and medium-sized enterprises.

Functions

Smart H.265+ & Smart H.264+

With advanced scene-adaptive rate control algorithm, Dahua smart encoding technology realizes the higher encoding efficiency than H.265 and H.264, provides high-quality video, and reduces the cost of storage and transmission.

Motion Detection

When moving objects appear in the monitoring image, Dahua Motion Detection (General) technology triggers alarm or records.

Smart Illumination

Dahua Smart Illumination technology can display image in the environment of low illuminance or completely dark environment. According to the distance of the targets, the camera adjusts illuminations intensity automatically to display the details of the moving target.

Image Flip

For narrow and long scenes, Dahua image flip technology flips the image by 90°/180°/270° to realize better surveillance in rotation mode.



Cyber Security

Dahua network camera is equipped with a series of key security technologies, such as security authentication and authorization, access control, trusted protection, encrypted transmission, and encrypted storage, which improve its security defense and data protection, and prevent malicious programs from invading the device. With UL CAP Certification, TÜV Rheinland Protected Privacy IoT Product Certification, and ETSI EN 303645 Certification, Dahua network camera better meets the demands of cyber security and privacy protection.

Protection (IP67, wide voltage)

IP67: The camera passes a series of strict test on dust and soak. It has dust-proof function, and the enclosure can work normal after soaking in 1 m deep water for 30 minutes.

Wide voltage: The camera allows $\pm 30\%$ (for some power supplies) input voltage tolerance (wide voltage range), and it is widely applied to outdoor environment with instable voltage.

Technical Specification

Camera

Image Sensor	1/2.8" CMOS
Max. Resolution	1920 (H) × 1080 (V)
ROM	16 MB
RAM	64 MB
Scanning System	Progressive
Electronic Shutter Speed	Auto/Manual 1/3 s–1/100,000 s
Min. Illumination	0.01 Lux @F2.0
S/N Ratio	> 56 dB
Illumination Distance	3.6 mm: 30 m (98.4 ft) 6 mm: 50 m (164.0 ft) 8 mm: 80 m (262.4 ft)
Illuminator On/Off Control	Auto/Manual
Illuminator Number	2 (IR LED)

Lens

Lens Type	Fixed-focal																				
Lens Mount	M12																				
Focal Length	3.6 mm; 6 mm; 8 mm																				
Max. Aperture	3.6 mm: F2.0 6 mm: F2.0 8 mm: F2.0																				
Field of View	3.6 mm: Horizontal: 84°; Vertical: 45°; Diagonal: 100° 6 mm: Horizontal: 53°; Vertical: 30°; Diagonal: 60° 8 mm: Horizontal: 40°; Vertical: 22°; Diagonal: 46°																				
Iris Control	Fixed																				
Close Focus Distance	3.6 mm: 0.8 m (2.6 ft) 6 mm: 2.2 m (7.2 ft) 8 mm: 3.5 m (11.5 ft)																				
DORI Distance	<table border="1"> <thead> <tr> <th>Lens</th> <th>Detect</th> <th>Observe</th> <th>Recognize</th> <th>Identify</th> </tr> </thead> <tbody> <tr> <td>3.6 mm</td> <td>49.7 m (163.1 ft)</td> <td>19.9 m (65.3 ft)</td> <td>9.9 m (32.5 ft)</td> <td>5.0 m (16.4 ft)</td> </tr> <tr> <td>6 mm</td> <td>82.8 m (271.7 ft)</td> <td>33.1 m (108.6 ft)</td> <td>16.6 m (54.5 ft)</td> <td>8.3 m (27.2 ft)</td> </tr> <tr> <td>8 mm</td> <td>110.3 m (361.9 ft)</td> <td>44.1 m (144.7 ft)</td> <td>22.1 m (72.5 ft)</td> <td>11.0 m (36.1 ft)</td> </tr> </tbody> </table>	Lens	Detect	Observe	Recognize	Identify	3.6 mm	49.7 m (163.1 ft)	19.9 m (65.3 ft)	9.9 m (32.5 ft)	5.0 m (16.4 ft)	6 mm	82.8 m (271.7 ft)	33.1 m (108.6 ft)	16.6 m (54.5 ft)	8.3 m (27.2 ft)	8 mm	110.3 m (361.9 ft)	44.1 m (144.7 ft)	22.1 m (72.5 ft)	11.0 m (36.1 ft)
	Lens	Detect	Observe	Recognize	Identify																
	3.6 mm	49.7 m (163.1 ft)	19.9 m (65.3 ft)	9.9 m (32.5 ft)	5.0 m (16.4 ft)																
	6 mm	82.8 m (271.7 ft)	33.1 m (108.6 ft)	16.6 m (54.5 ft)	8.3 m (27.2 ft)																
8 mm	110.3 m (361.9 ft)	44.1 m (144.7 ft)	22.1 m (72.5 ft)	11.0 m (36.1 ft)																	

Video

Video Compression	H.265; H.264; H.264B; MJPEG (only supported by the sub stream)
Smart Codec	Smart H.265+/Smart H.264+
Video Frame Rate	Main Stream: 1920 × 1080 (1 fps–25/30 fps) Sub stream: 704 × 576 (1 fps–25 fps) 704 × 480 (1 fps–30 fps)
Stream Capability	2 streams
	1080p (1920 × 1080); 1.3M (1280 × 960);

Day/Night	Auto (ICR)/Color/B/W
BLC	Yes
HLC	Yes
WDR	DWDR
White Balance	Auto; natural; street lamp; outdoor; manual; regional custom
Gain Control	Auto/Manual
Noise Reduction	3D NR
Motion Detection	OFF/ON (4 areas, rectangular)
Region of Interest (RoI)	Yes (4 areas)
Smart Illumination	Yes
Image Rotation	0°/90°/180°/270° (Support 90°/270° with 1080p resolution and lower)
Mirror	Yes
Privacy Masking	4 areas

Audio

Built-in MIC	Yes
Audio Compression	G.711A; G.711Mu; G.726; PCM

Alarm

Alarm Event	Network disconnection; IP conflict; illegal access; motion detection; video tampering; safety exception
-------------	---

Network

Network	RJ-45 (10/100 Base-T)
SDK and API	Yes
Cyber Security	Video encryption; configuration encryption; Digest; WSSE; account lockout; security logs; generation and importing of X.509 certification; HTTPS; trusted boot; trusted execution; trusted upgrade
Protocol	IPv4; IPv6; HTTP; TCP; UDP; ARP; RTP; RTSP; SMTP; FTP; DHCP; DNS; NTP; Multicast
Interoperability	ONVIF (Profile S/Profile T); CGI; P2P; Genetec
User/Host	6 (Total bandwidth: 36 M)
Storage	FTP
Browser	IE Chrome Firefox
Management Software	Smart PSS; DSS; DMSS
Mobile Phone	IOS; Android

Certification

Certification	CE-LVD: EN62368-1 CE-EMC: Electromagnetic Compatibility Directive 2014/30/EU FCC: 47 CFR FCC Part 15, Subpart B
---------------	---

Entry Series | DH-IPC-HFW1230M-A-I2-B-S5

Resolution 720p (1280 × 720); D1 (704 × 576/704 × 480);
VGA (640 × 480); CIF (352 × 288/352 × 240)

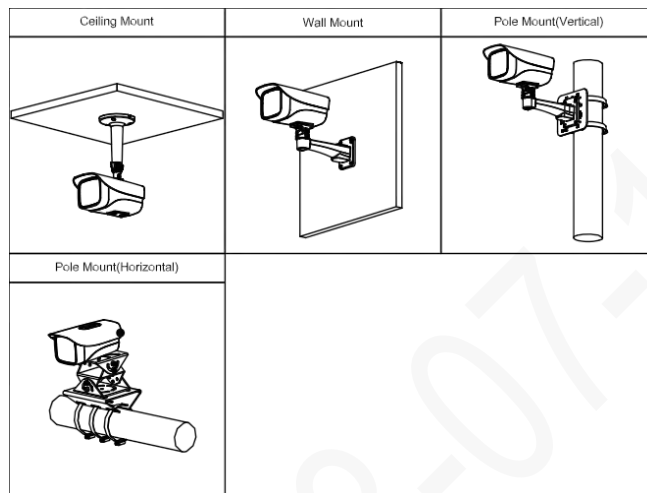
Bit Rate Control CBR/VBR

Video Bit Rate H.264: 32 kbps–6144 kbps
H.265: 12 kbps–6400 kbps

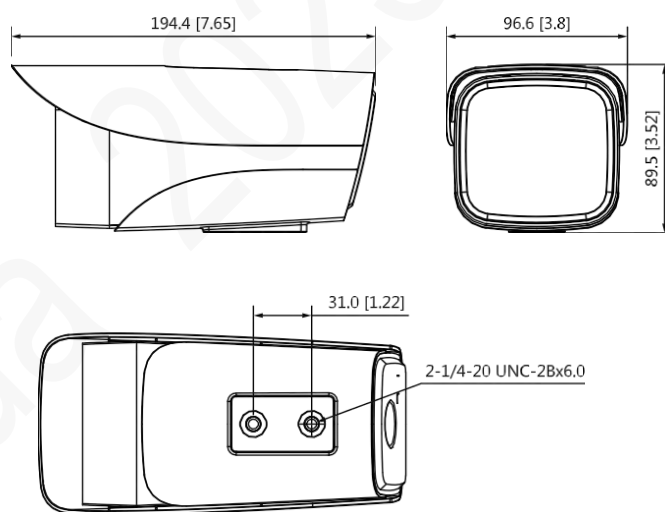
Power

Power Supply 12V DC/PoE (802.3af)

Power Consumption	Basic power consumption: 1.5W (12V DC); 2.3W (PoE) Max. power consumption (ICR + H.265 + IR intensity): 5.1W (12V DC); 6.4W (PoE)
Environment	
Operating Conditions	-40°C to +60°C (-40°F to +140°F)
Storage Temperature	≤ 95%
Protection Grade	IP66
Structure	
Casing	Metal + plastic
Dimensions	194 mm × 96 mm × 89 mm (7.6" × 3.8" × 3.5")
Net Weight	0.64 kg (1.4 lb)
Gross Weight	0.78 kg (1.7 lb)



Dimensions (mm[inch])



Ordering Information		
Type	Model	Description
2MP Camera	DH-IPC-HFW1230MP-A-I2-B-S5	2MP Entry IR Fixed Focal Bullet Network Camera, PAL
	PFB120WS	Wall Mount
	PFB110W	Ceiling Mount
Accessories	PFB121W	Wall Mount
	PFB121W+PFA152-E	Pole Mount (Vertical)
	PFA162+PFA150	Pole Mount (Horizontal)

Accessories

Standard:



Optional:



Rev 001.001 © 2021 Dahua. All rights reserved. Design and specifications are subject to change without notice. Pictures in the document are for reference only, and the actual product shall prevail.