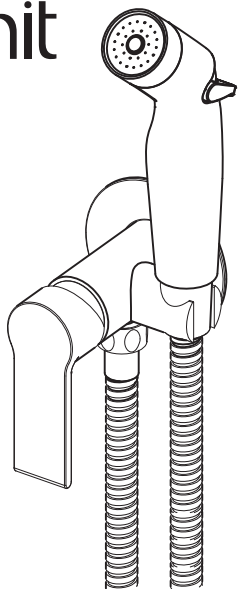
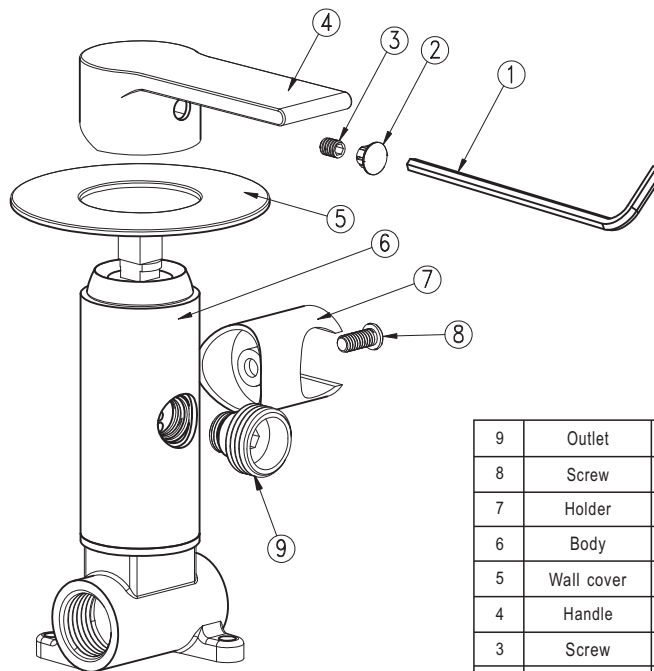


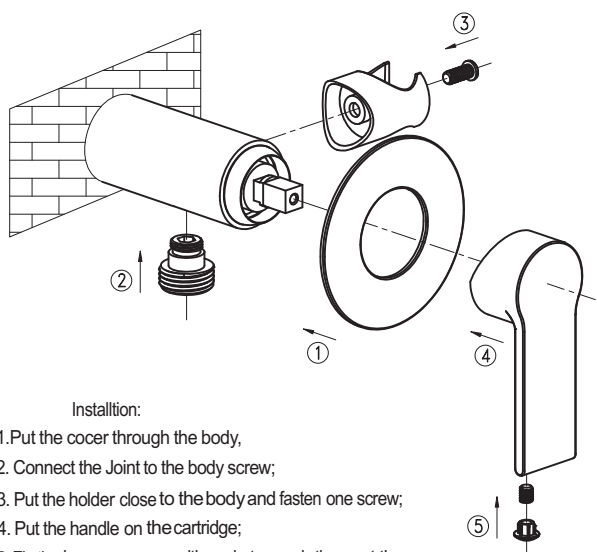
cersanit



## Part List and Installation



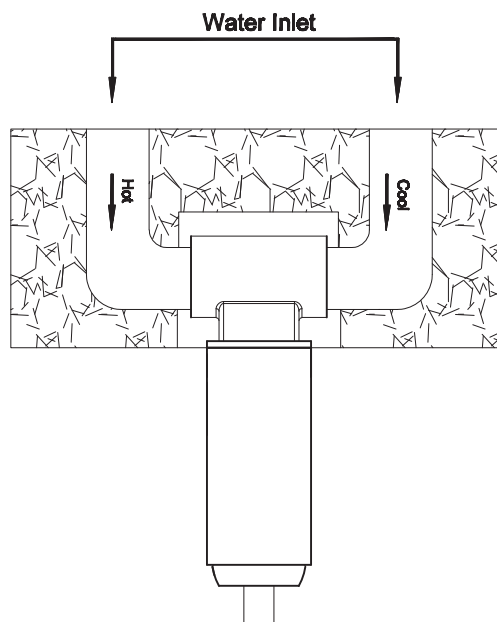
9	Outlet	1
8	Screw	1
7	Holder	1
6	Body	1
5	Wall cover	1
4	Handle	1
3	Screw	1
2	Hot&cold mark	1
1	Socket wrench	1
Item No	Name	QTY
<b>Standard Part List</b>		



Installation:

1. Put the cover through the body,
2. Connect the Joint to the body screw;
3. Put the holder close to the body and fasten one screw;
4. Put the handle on the cartridge;
5. Fix the hexagon screw with socket wrench then put the blue and red plug in.

Installation 2



Installation 1