



MARVEL
SPIDEY
THE AMAZING FRIENDS

10782

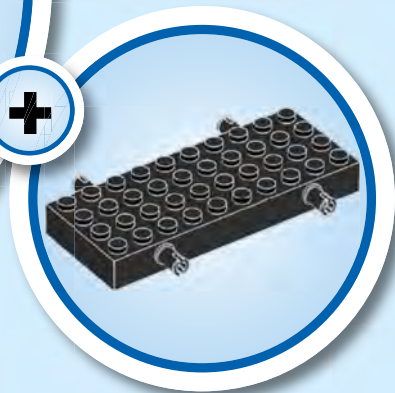


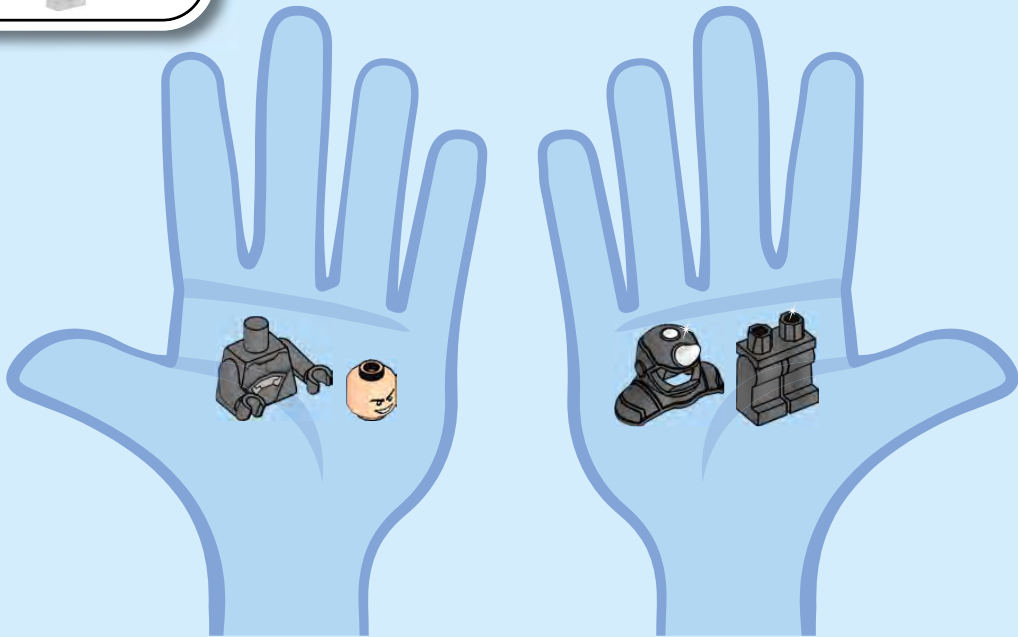
TM!by
ONLINE STORE

<https://tm.by>
Интернет-магазин



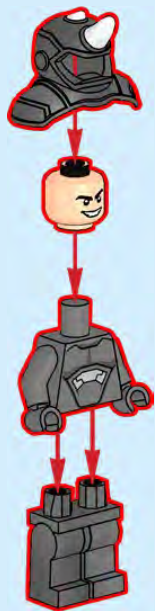
2

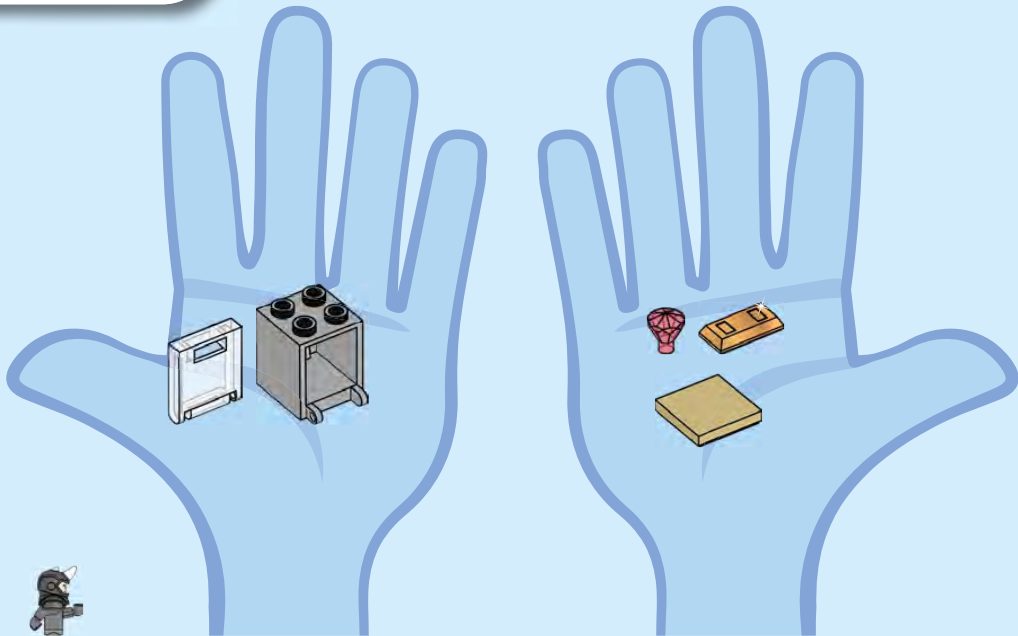




4

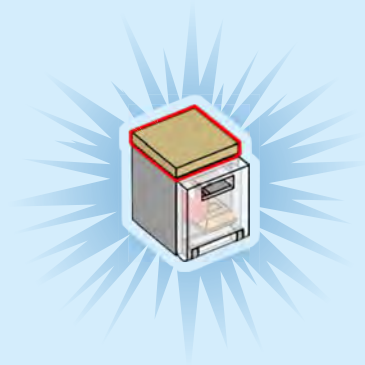
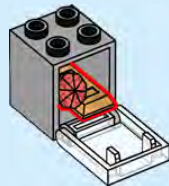
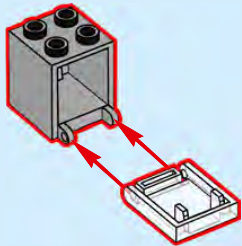


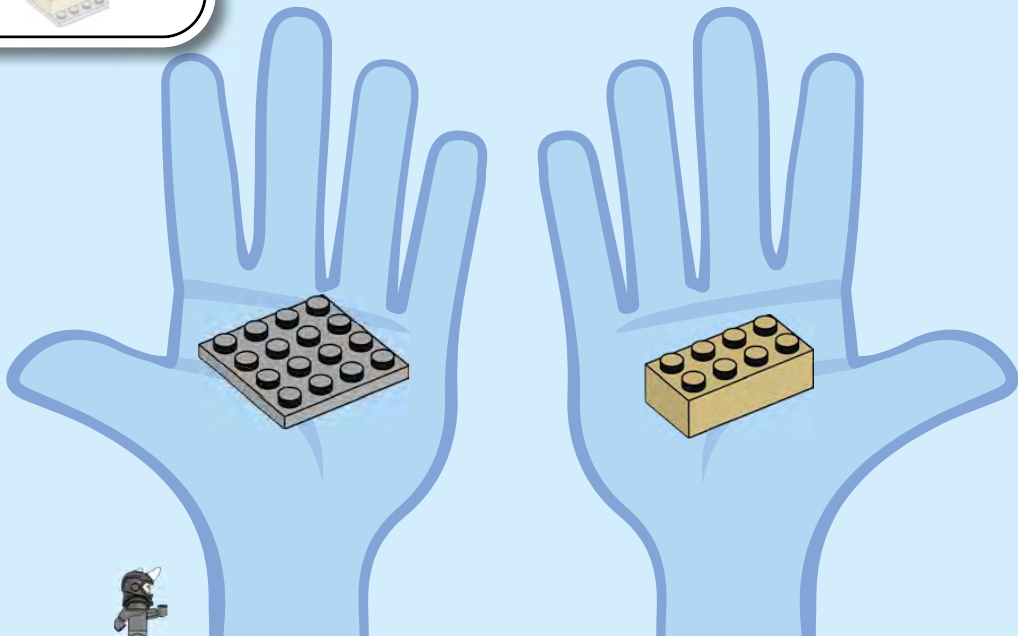




6

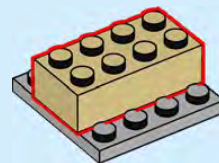


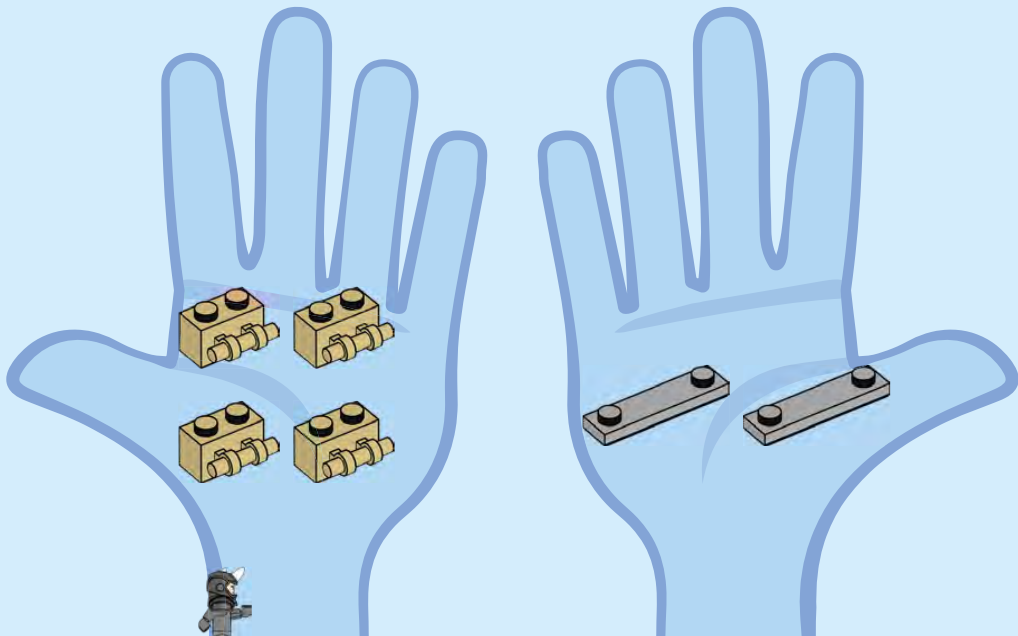


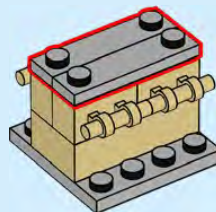
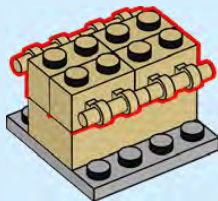


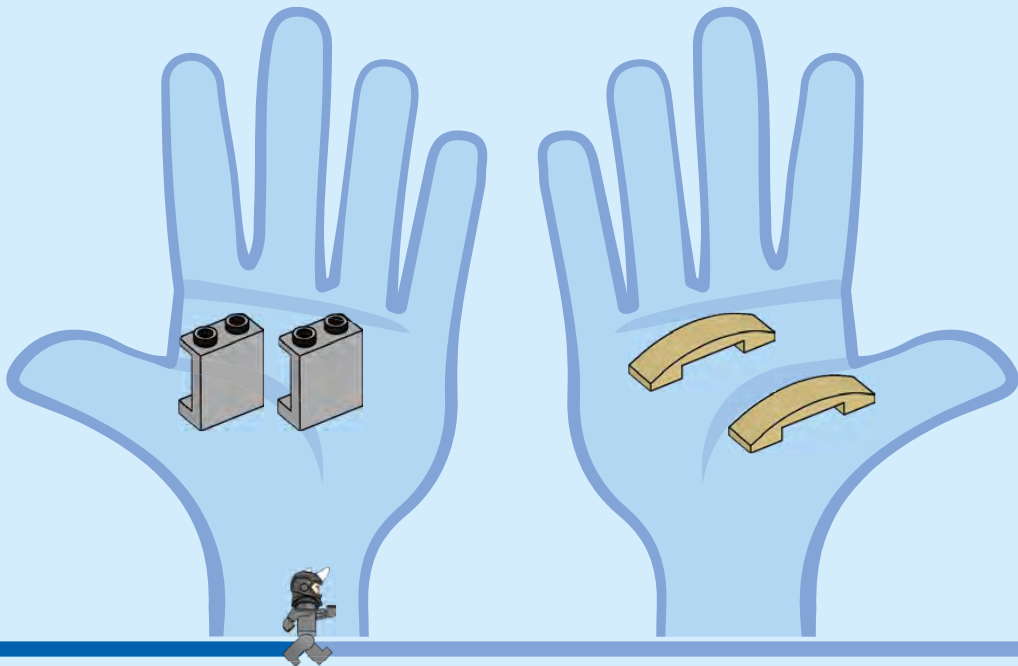
8



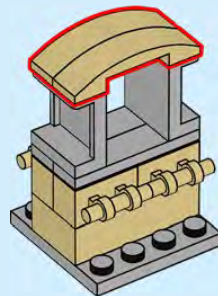
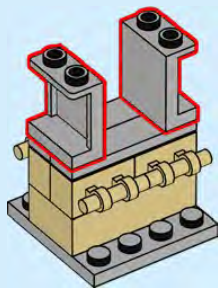


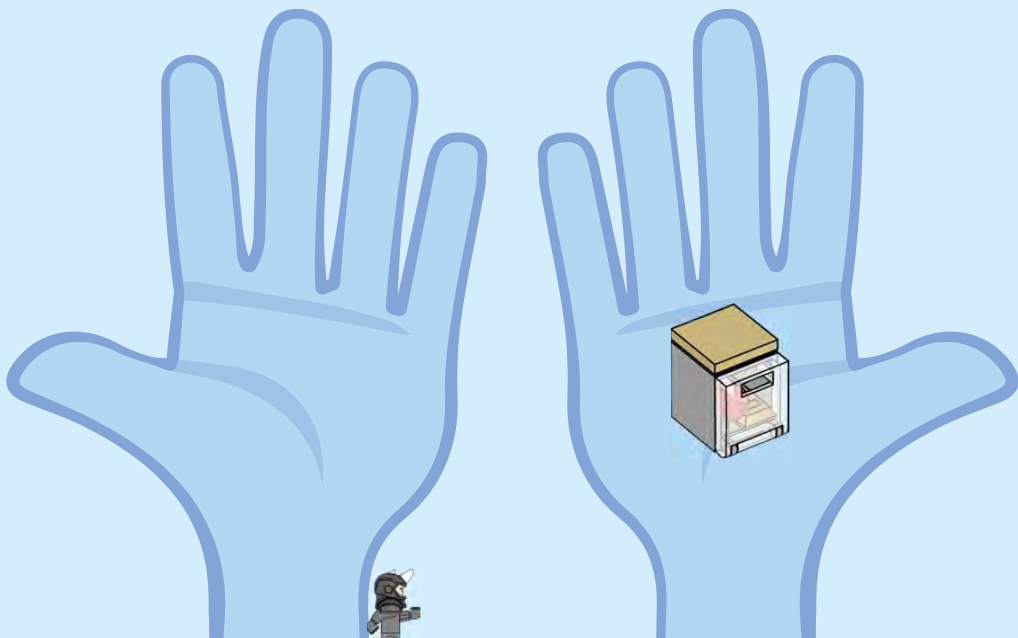


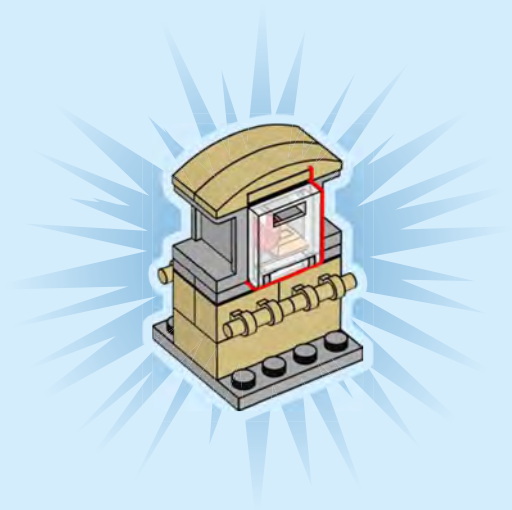


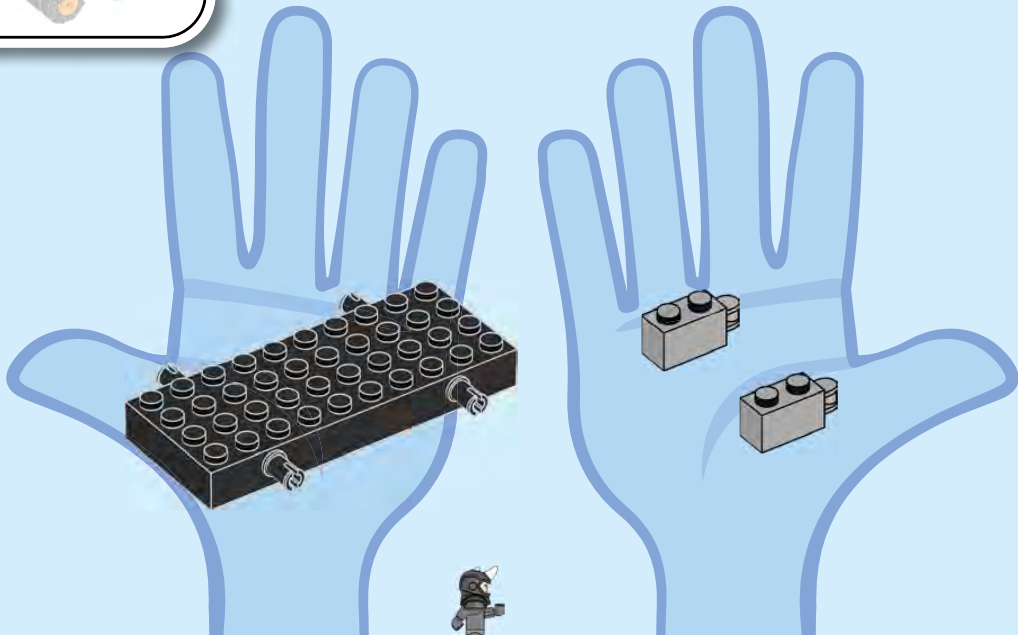


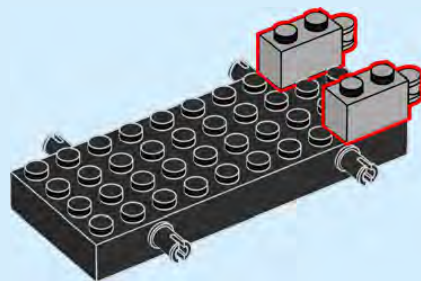
12

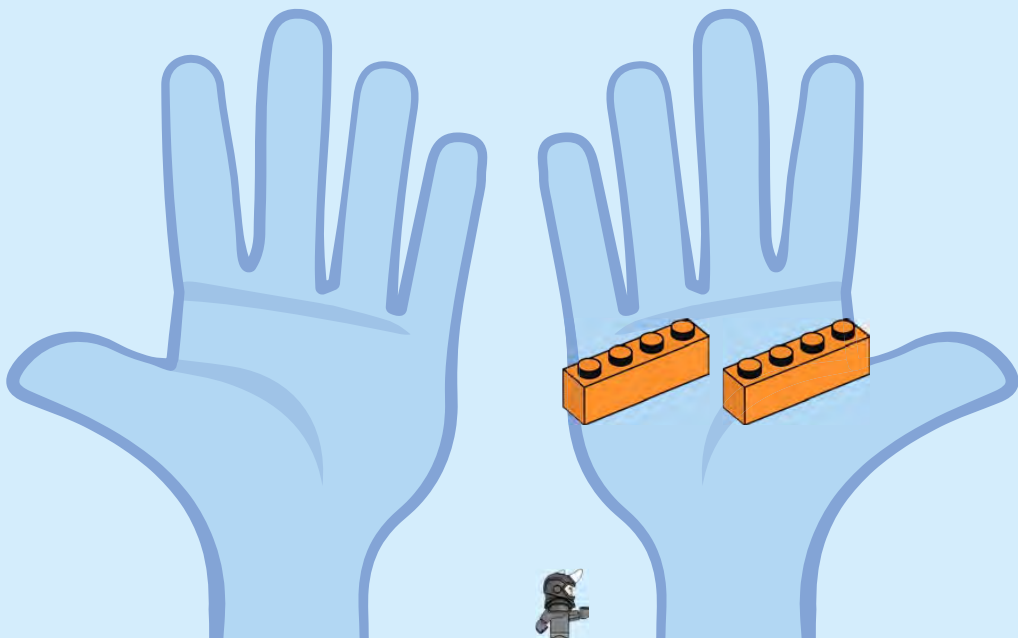


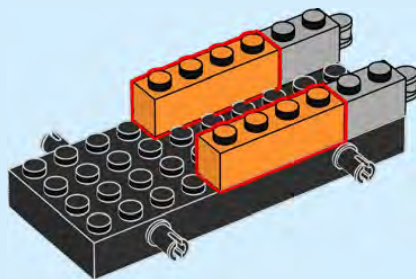


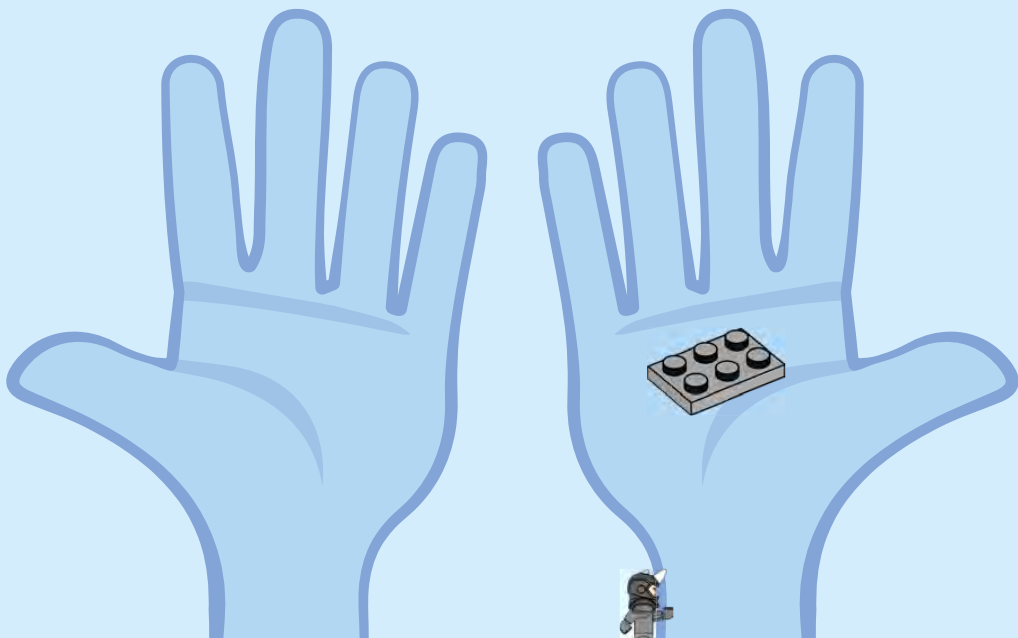




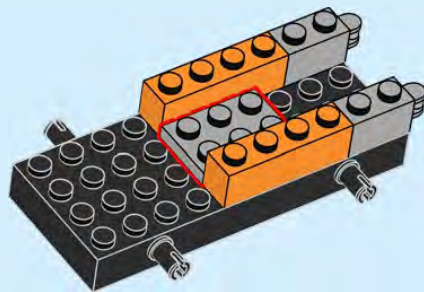


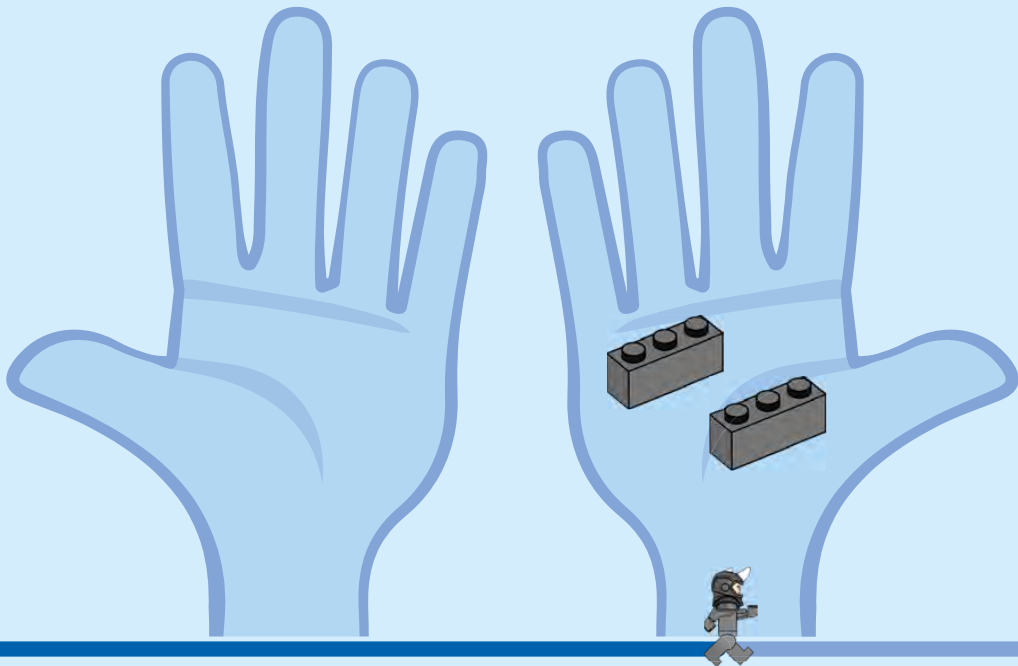


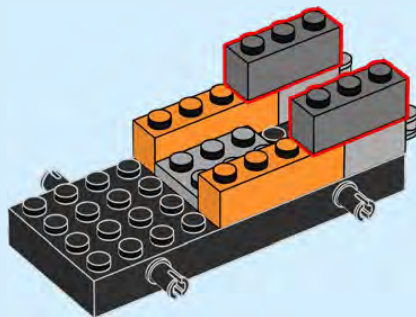


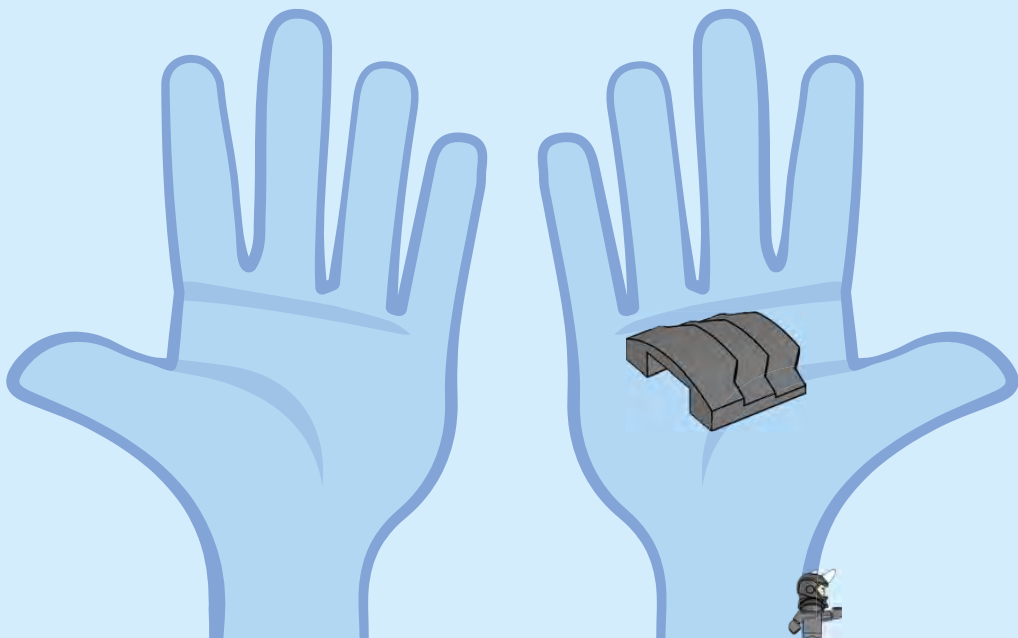


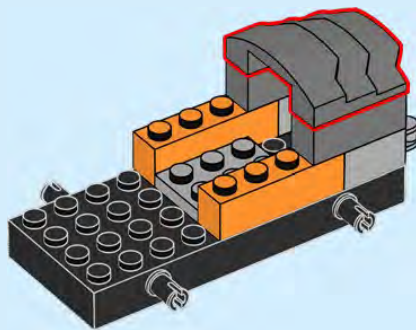
20

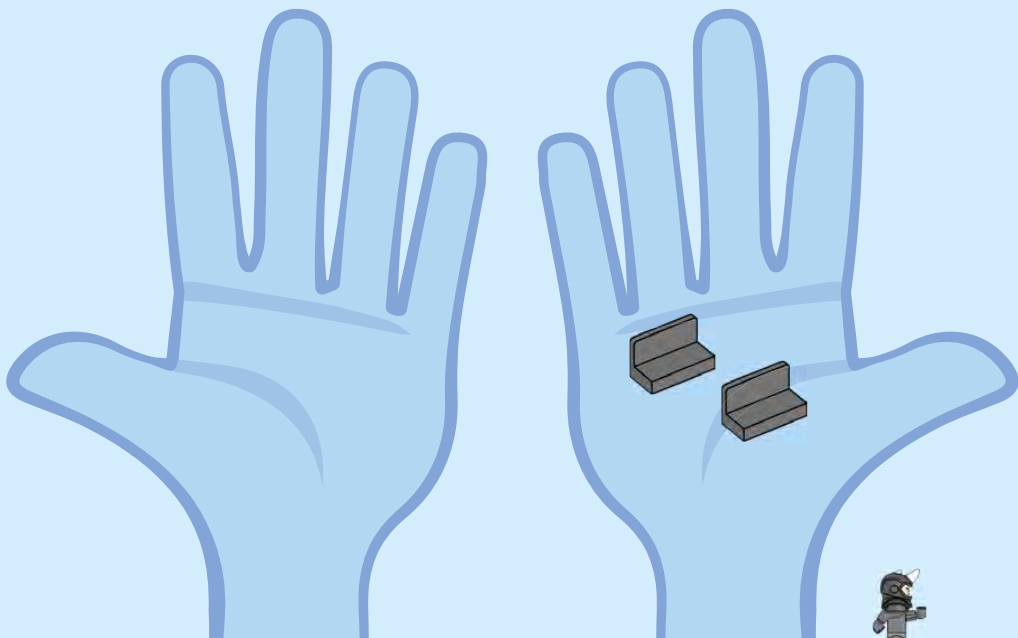


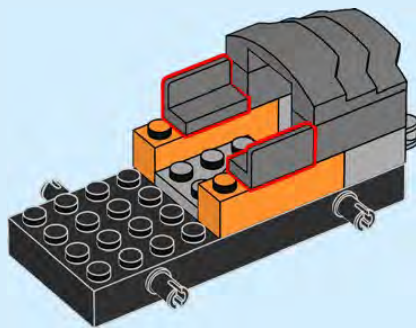


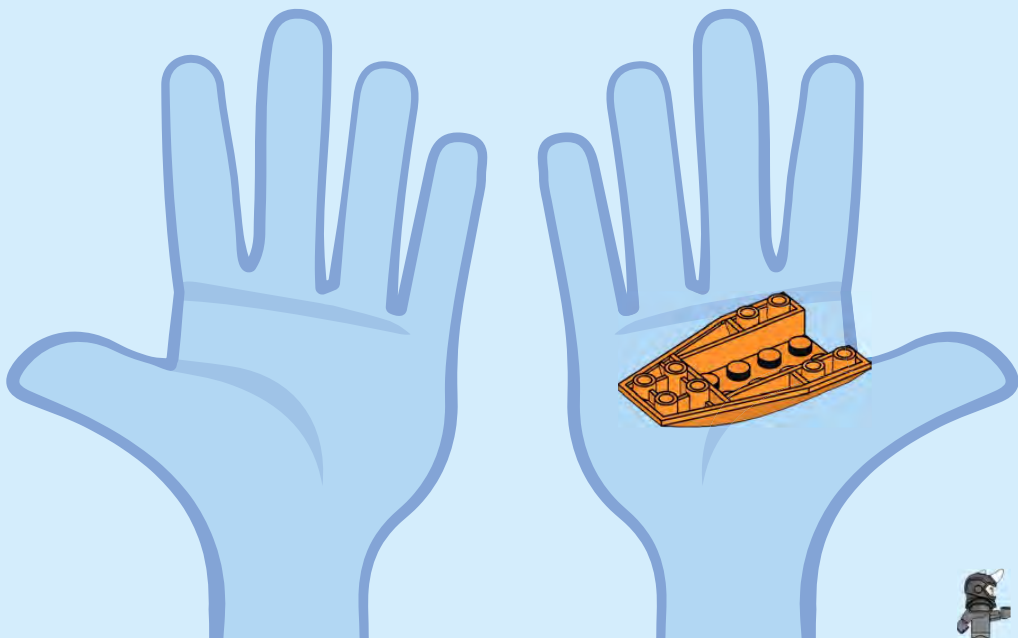




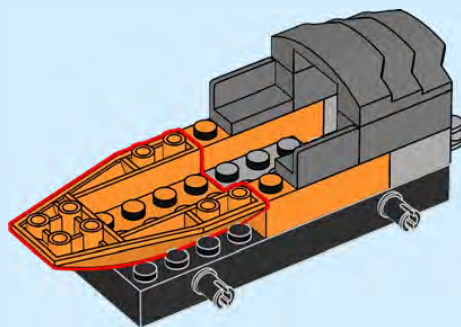


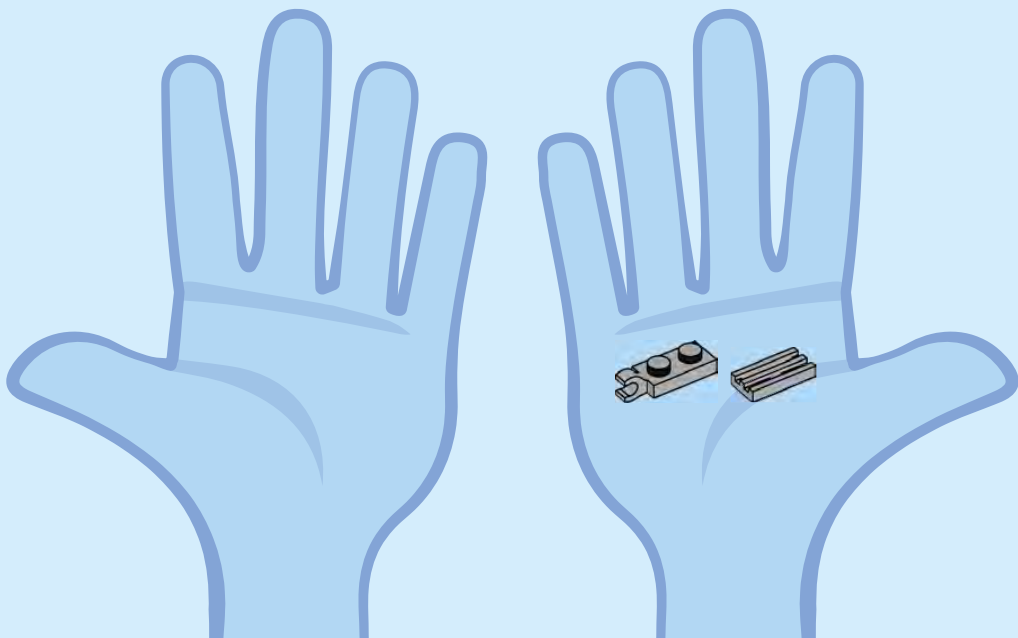




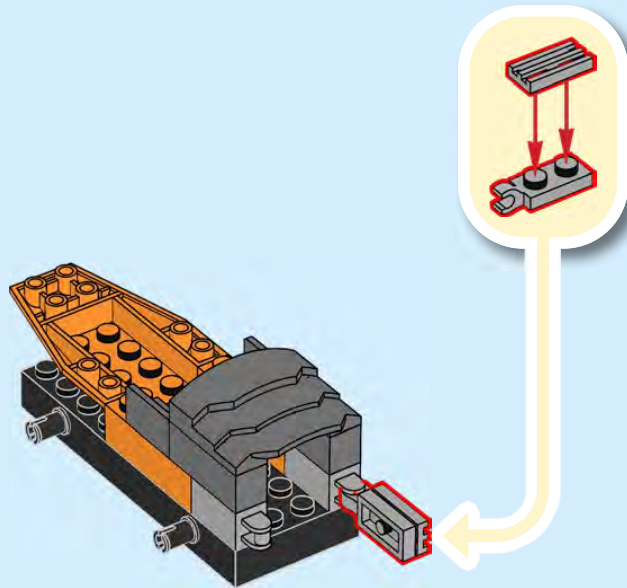


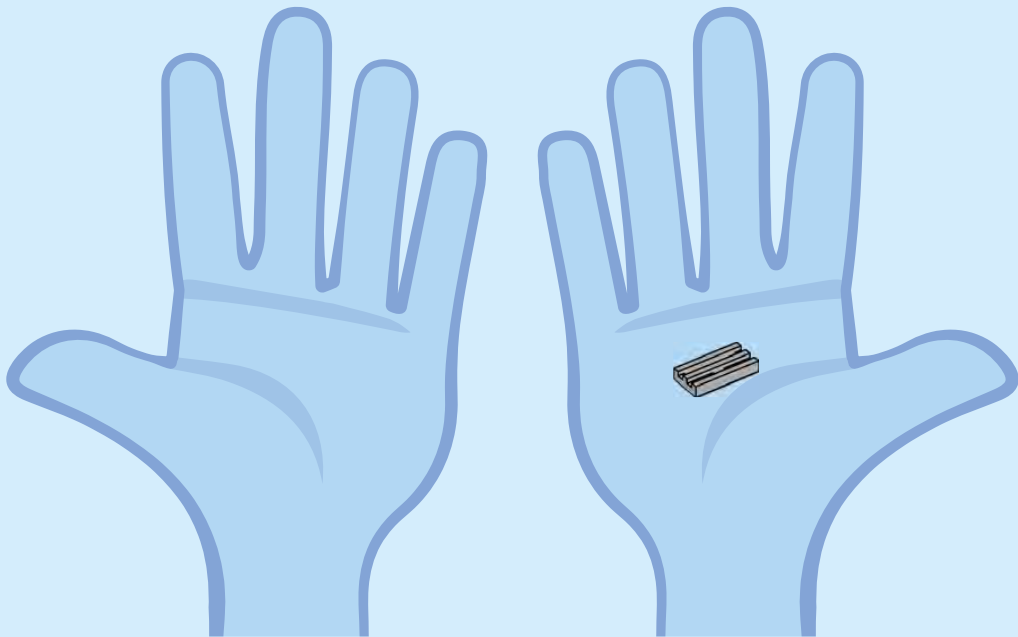
28

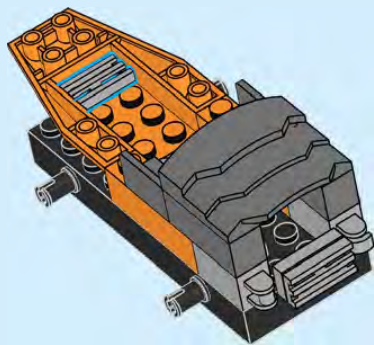


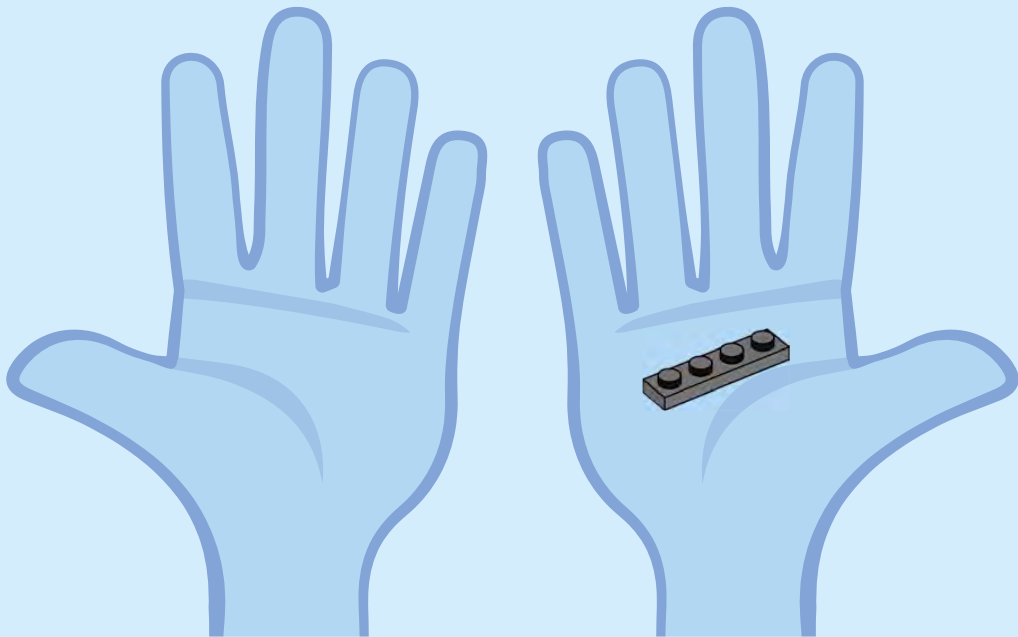


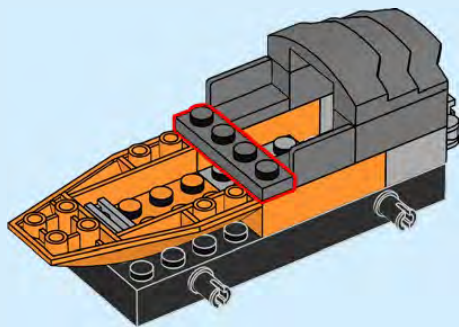
30

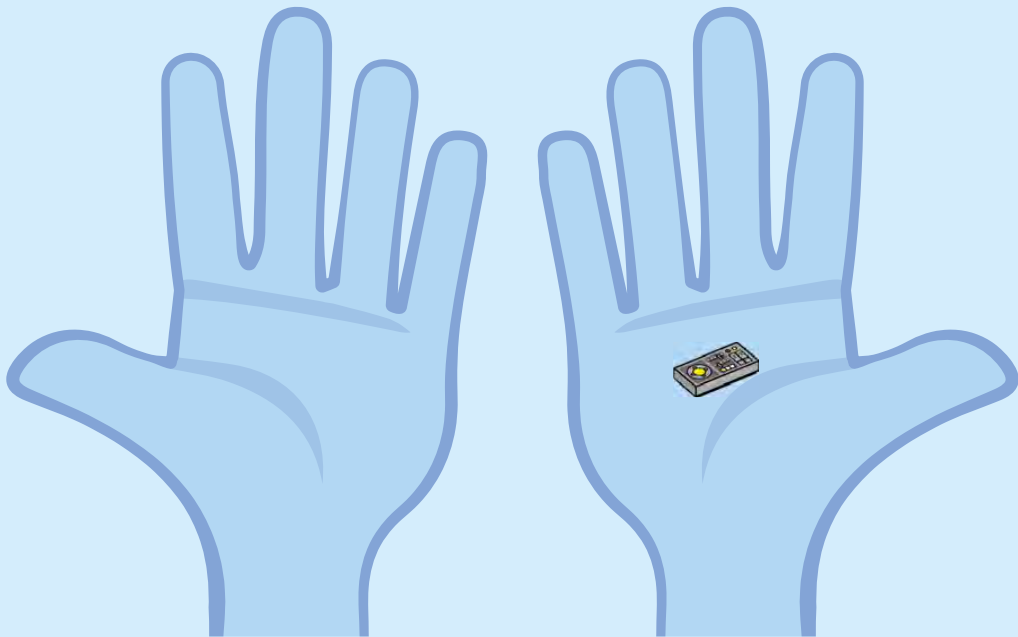


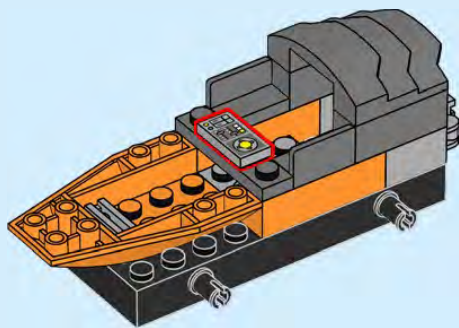


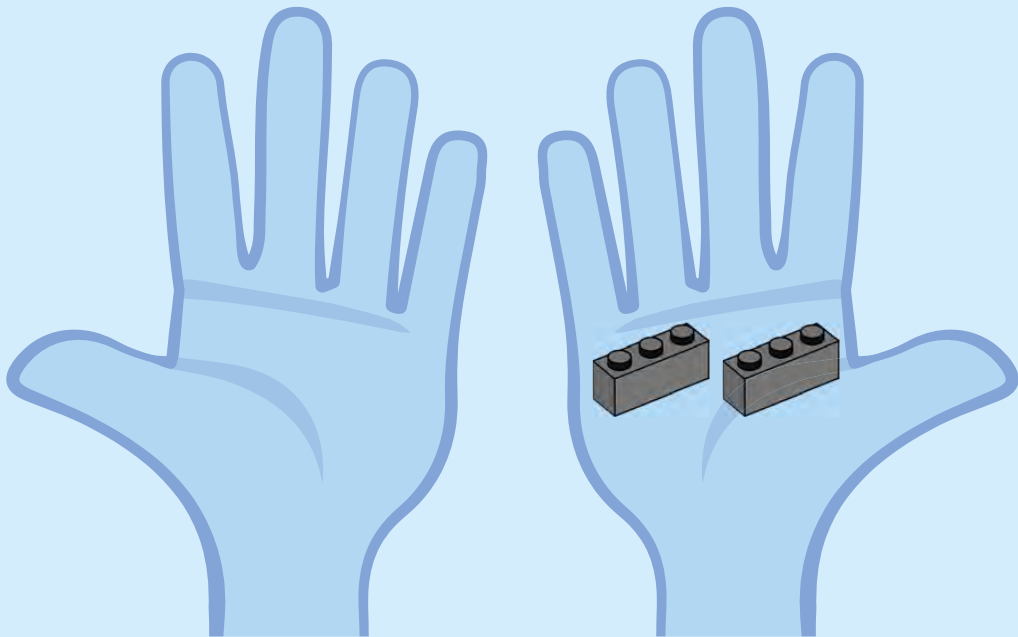


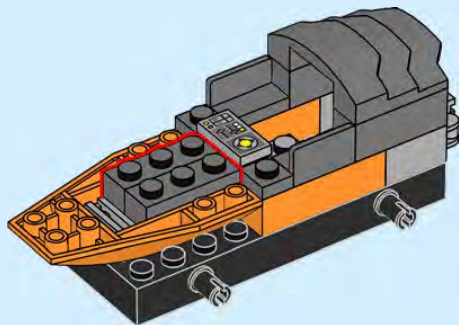


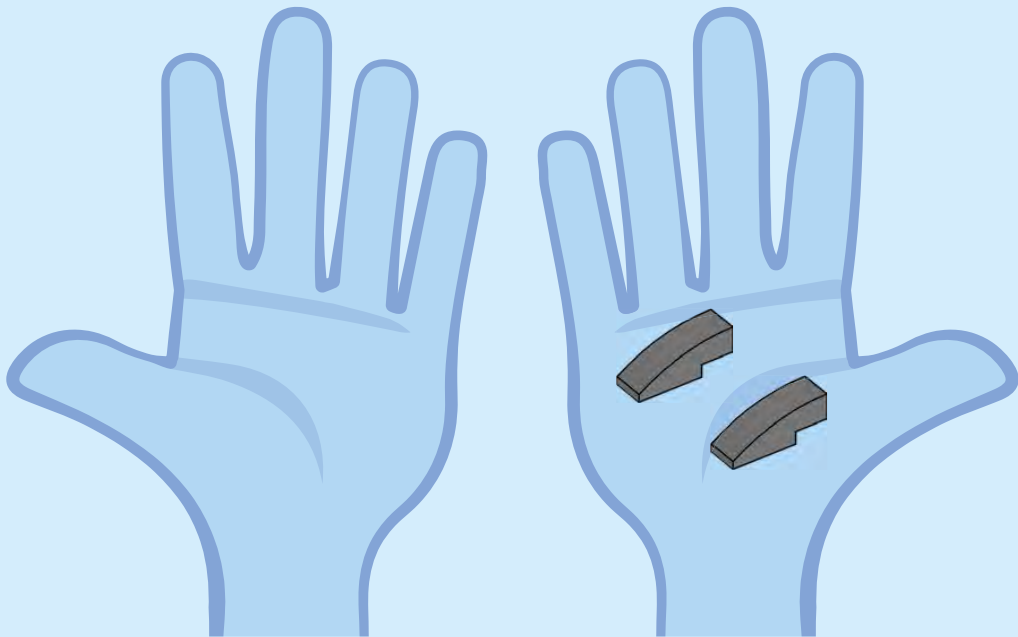


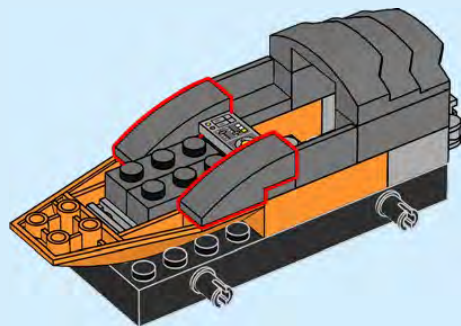


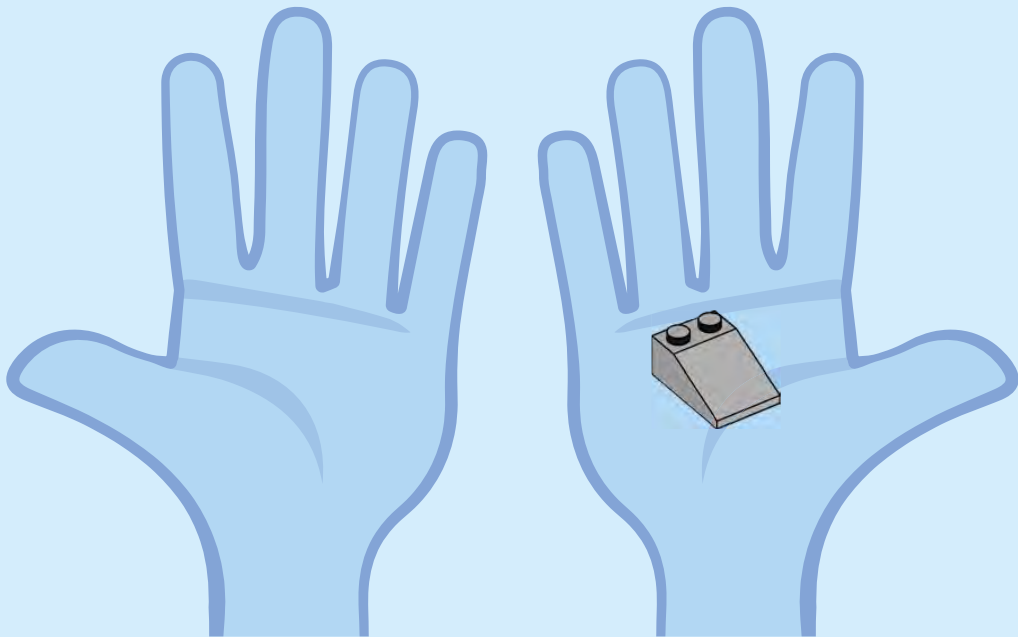


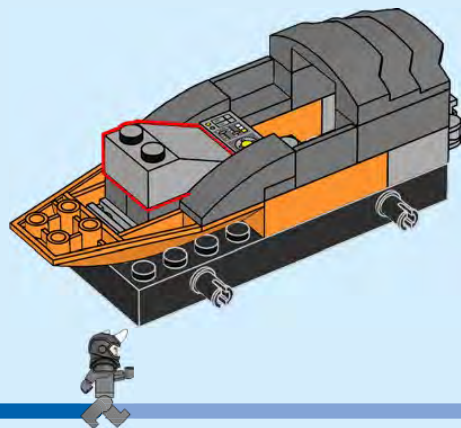


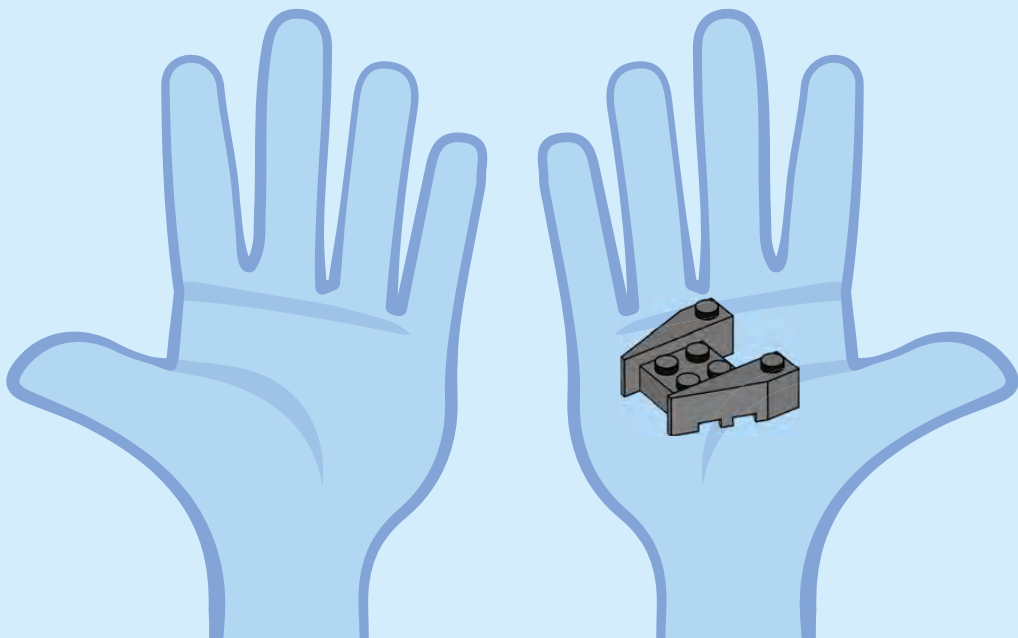


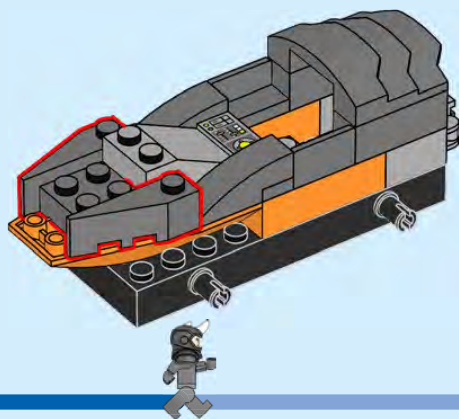


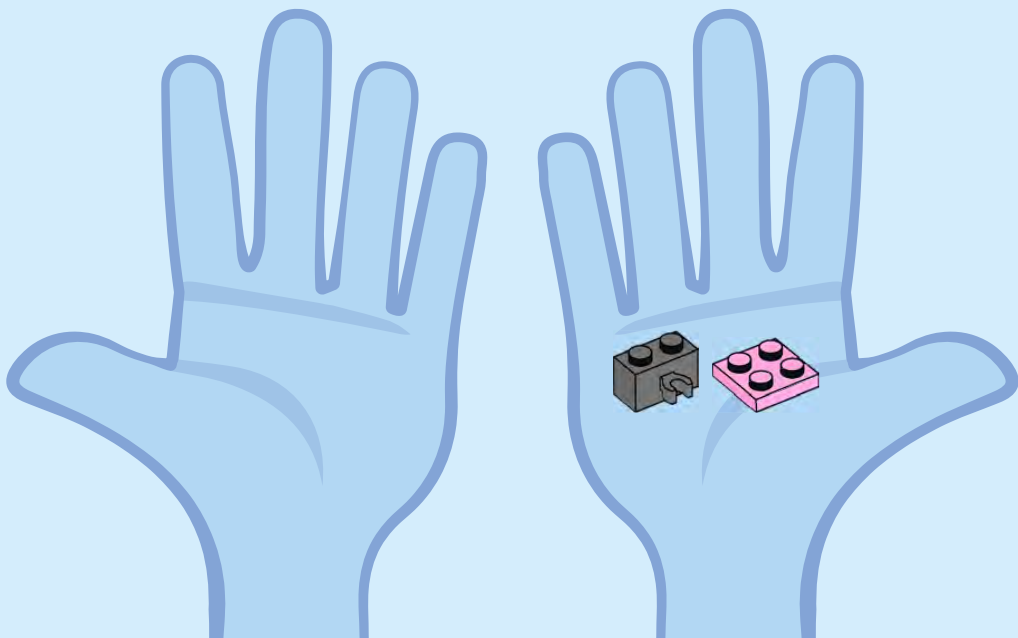


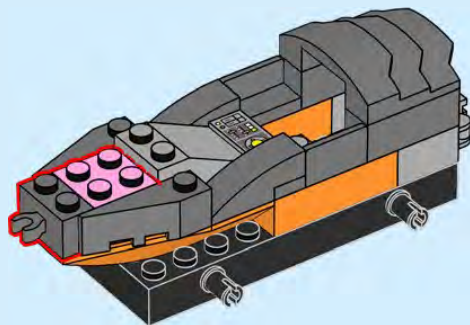


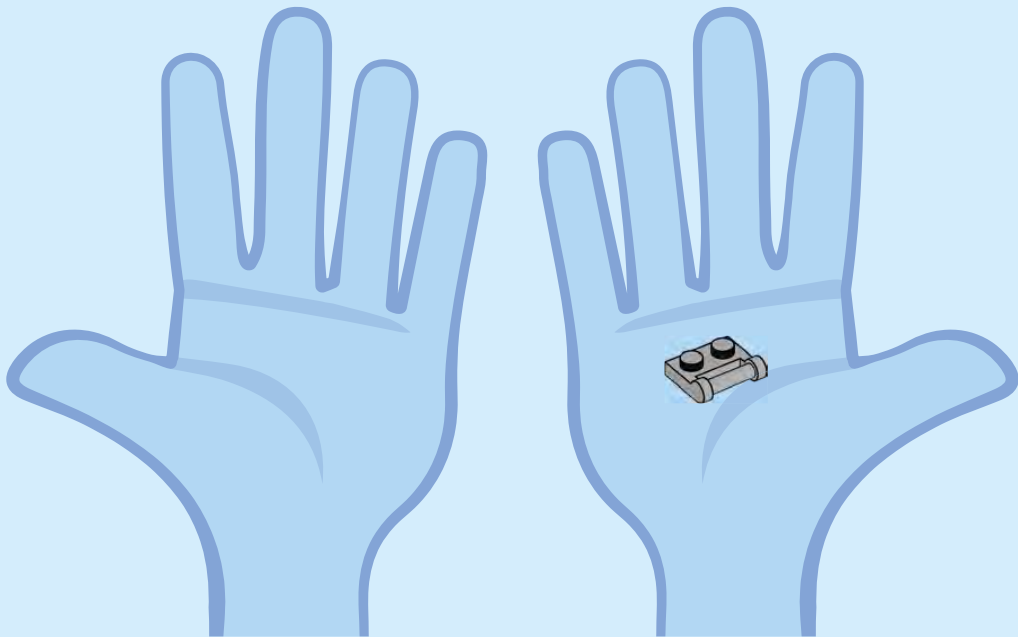


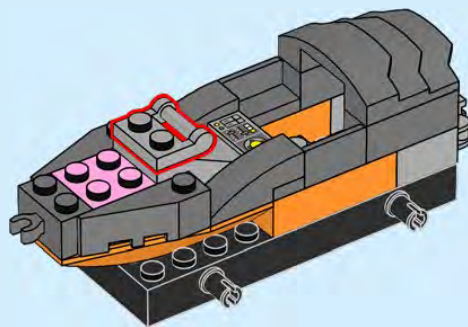


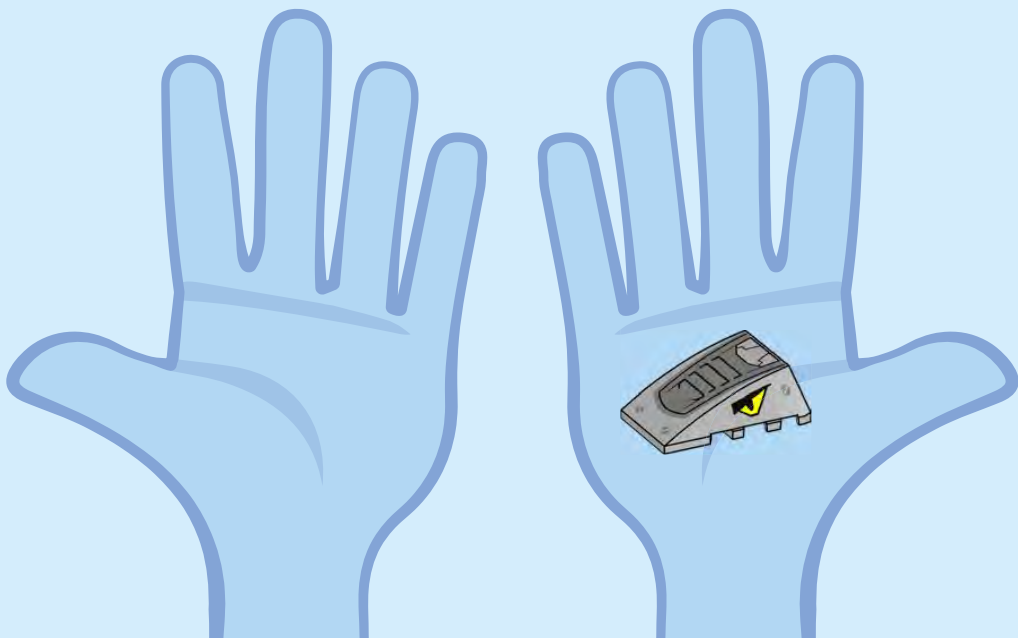


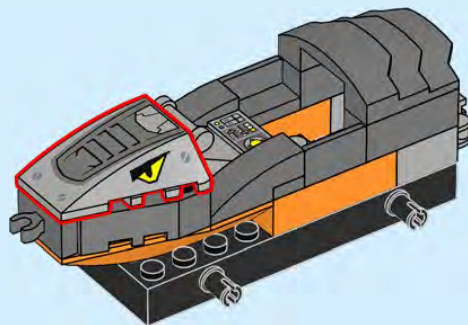


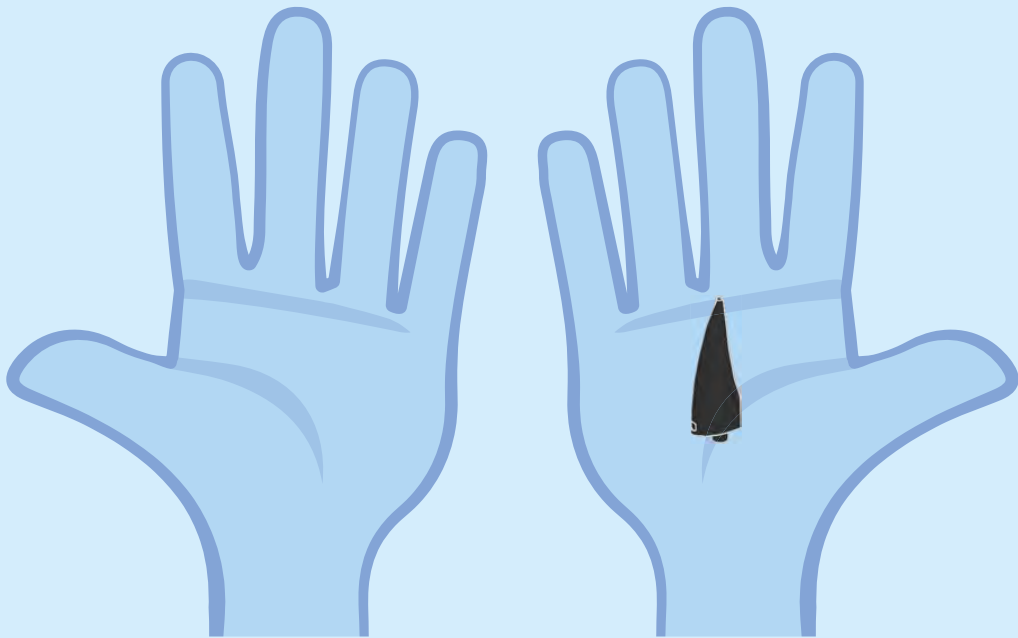


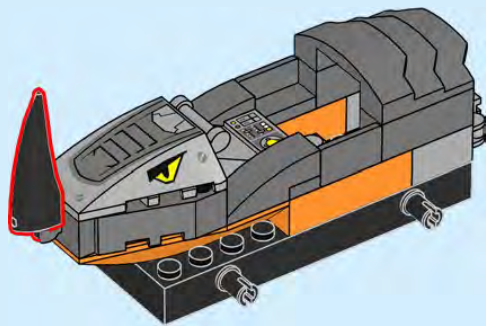


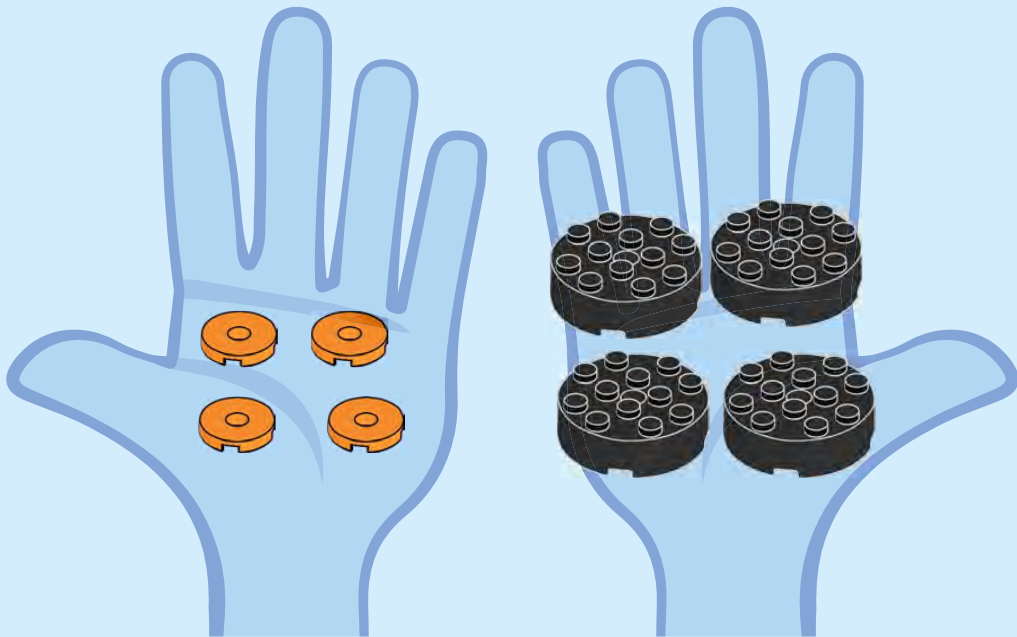


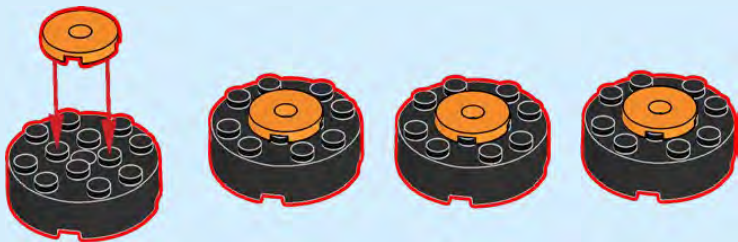


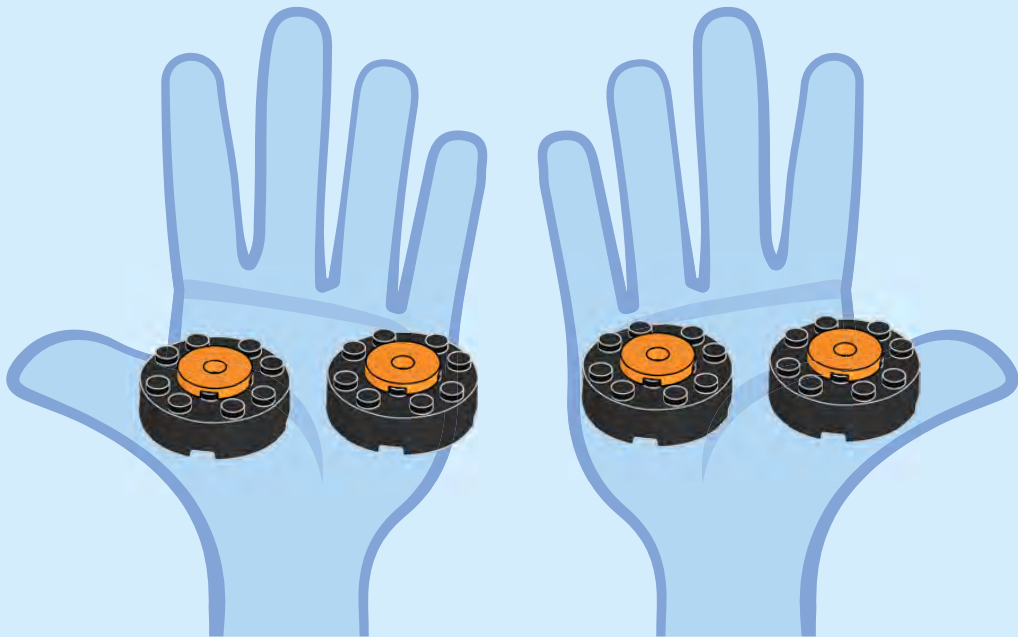


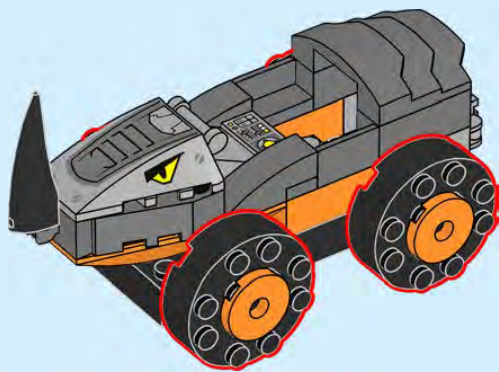


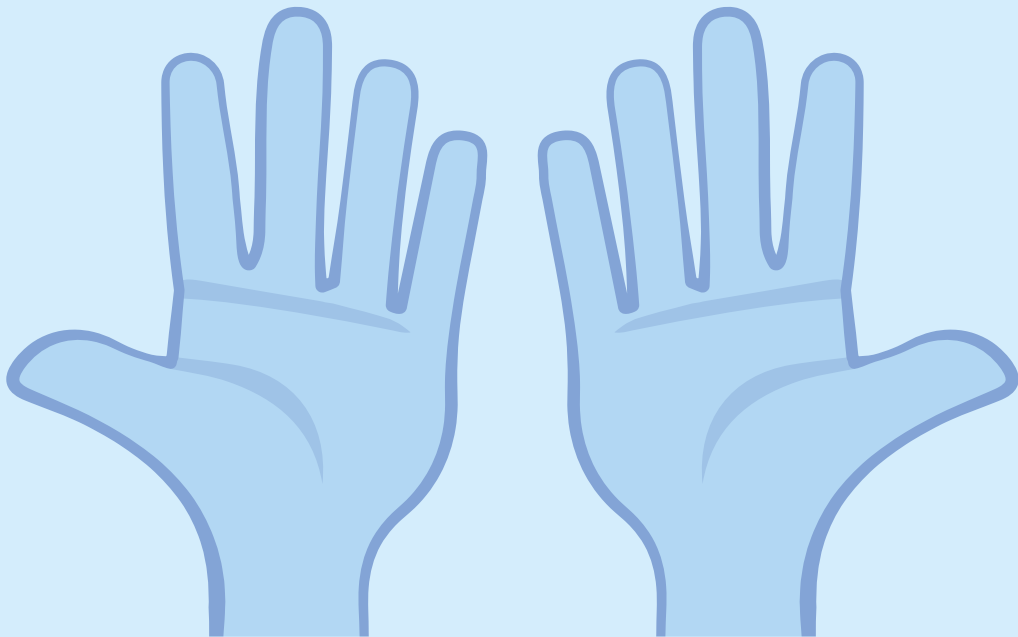


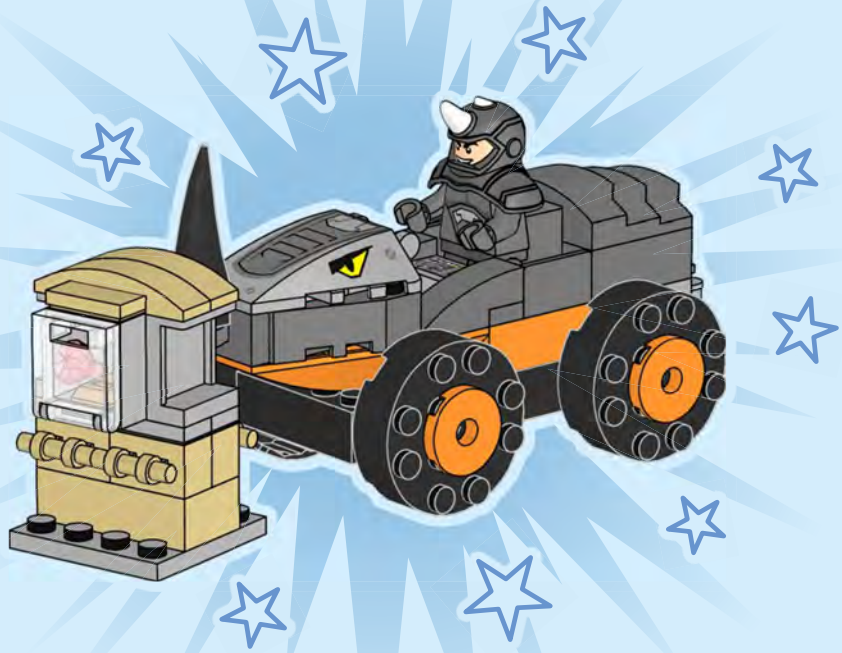














Rebuild
the
world™



LEGO and the LEGO logo are trademarks of the LEGO Group. ©2022 The LEGO Group. 6403117
© 2022 MARVEL

TM!by
ONLINE STORE

<https://tm.by>
Интернет-магазин