

gembird®

USER MANUAL • HANDBUCH • HANDLEIDING • MANUEL
DESCRIPTIF • INSTRUKCJA OBSŁUGI • UŽIVATELSKÝ
MANUÁL • КЕРИВНИЦТВО КОРИСТУВАЧА



MA-DA2-02

VESA Compatible
75x75 100x100

32"
MAX

(2-8kg)x2
(4.4-17.6lbs)x2
RATED

ADJUSTABLE DESK 2-DISPLAY MOUNTING ARM (TILTING), 17"-32", UP TO 8 KG
VERSTELLBARER MONTAGEARM FÜR 2 BILDSCHIRME (NEIGBAR), 17"-32", BIS
ZU 8 KG

VERSTELBARE BUREAU-MONTAGEARM VOOR 2 SCHERMEN (KANTELBAAR), 17"-
32", TOT 8 KG

BRAS DE MONTAGE RÉGLABLE POUR 2 ÉCRANS (INCLINABLE), 17"-32",
JUSQU'À 8 KG

NASTAVITELNÝ STŮL 2-DISPLEJ MONTÁŽNÍ RAMENO (SKLOPNÉ), 17"-32", DO 8
KG

REGULOWANE RAMIĘ MONTAŻOWE NA 2 WYŚWIETLACZE (UCHYLNE), 17"-32",
DO 8 KG

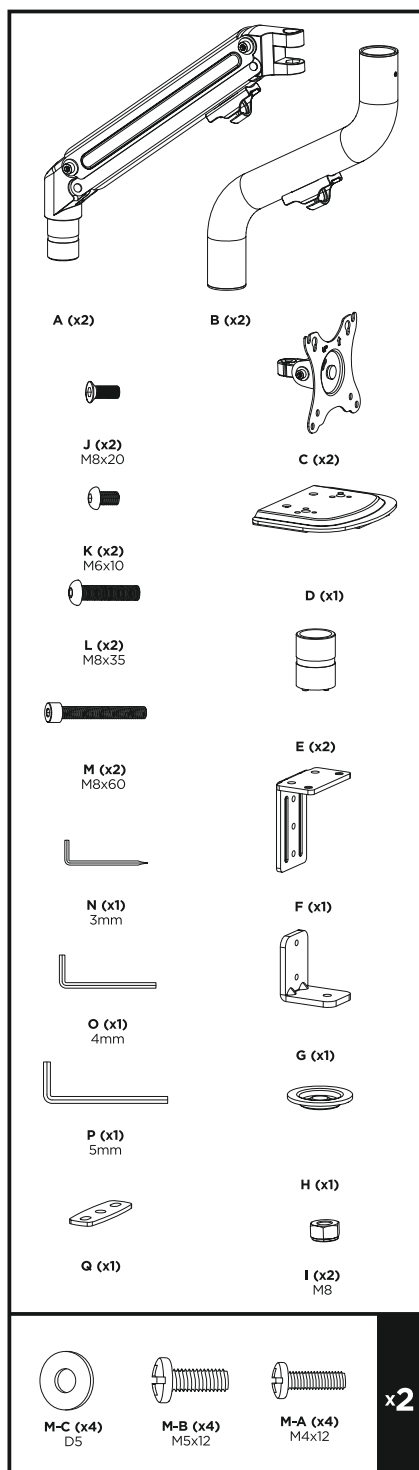
РЕГУЛЬОВАНИЙ НАСТІЛЬНИЙ КРОНШТЕЙН ДЛЯ КРІПЛЕННЯ 2 ДИСПЛЕЇВ
(ВІДКИДНИЙ), 17"-32", ДО 8 КГ

Features

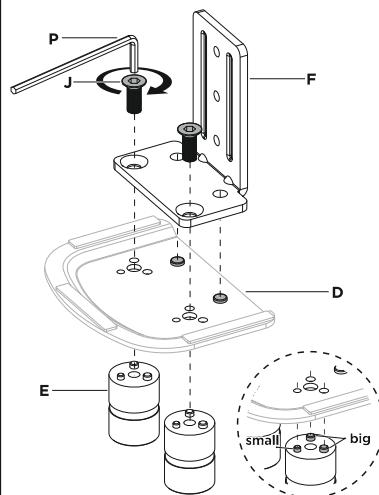
- Monitor desk mount with double monitor arms
- Arms rotate, extend and retract, tilt to change reading angles, and allow to rotate displays from landscape [1]to-portrait mode, etc.
- Enables easy ergonomic positioning for reduced strain
- Works with almost any LCD monitor (max. 32")
- Durable adjustable gas-springs suitable for monitors
- of 2 kg - 8 kg
- Strong desk clamp or grommet for easy and secure fixation on your desk
- Built-in cable management for an organized and neat workspace
- VESA compatible (100 mm x 100 mm and 75 mm x 75 mm)

Specifications

- Material: steel, aluminum, plastic
- Surface finish: powder coating
- Color: fine texture black
- Fit screen size: 17" - 32"
- Weight capacity (per screen): 2 kg ~ 8 kg
- VESA compatible: 75 mm x 75 mm, 100 mm x 100 mm
- Tilt range: +90° ~ -45°
- Swivel range: +90° ~ -90°
- Screen rotation: +180° ~ -180°
- Installation: clamp, grommet
- Suggested desktop thickness: clamp: 10 mm ~ 80 mm, grommet: 10 mm ~ 40 mm
- Cable management: yes
- Net weight: 3.8 kg



1 Clamp Mounting



Grommet Mounting

