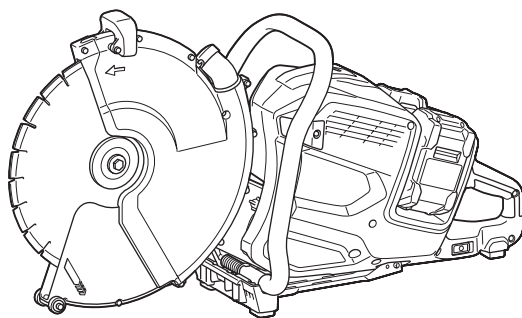
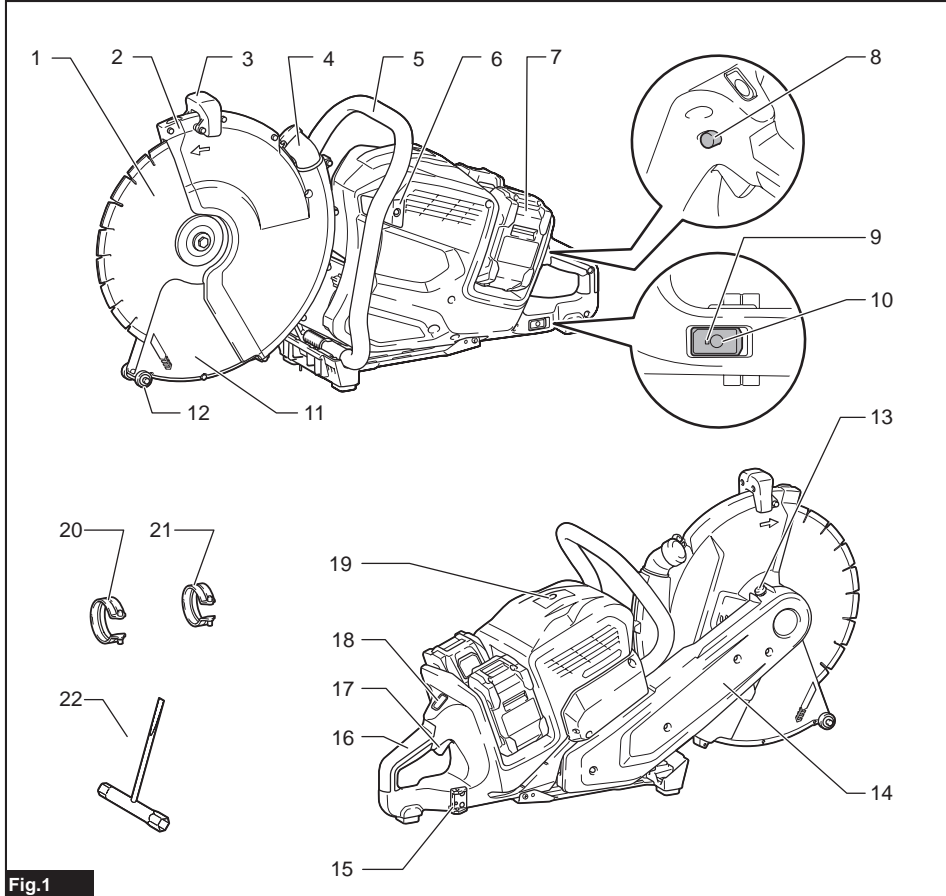


EN	Cordless Power Cutter	INSTRUCTION MANUAL	10
SV	Batteridreven kapmaskin	BRUKSANVISNING	24
NO	Batteridrevet kappesag	BRUKSANVISNING	38
FI	Akkukäyttöinen sähkölaikkaleikkuri	KÄYTTÖOHJE	52
DA	Akku sav	BRUGSANVISNING	66
LV	Bezvada mehānizētā frēze	LIETOŠANAS INSTRUKCIJA	80
LT	Belaidis abrazyvinis diskinis pjaustytuvas	NAUDOJIMO INSTRUKCIJA	94
ET	Juhtmeta ketaslõikur	KASUTUSJUHEND	108
RU	Аккумуляторный резчик	РУКОВОДСТВО ПО ЭКСПЛУАТАЦИИ	122

CE002G





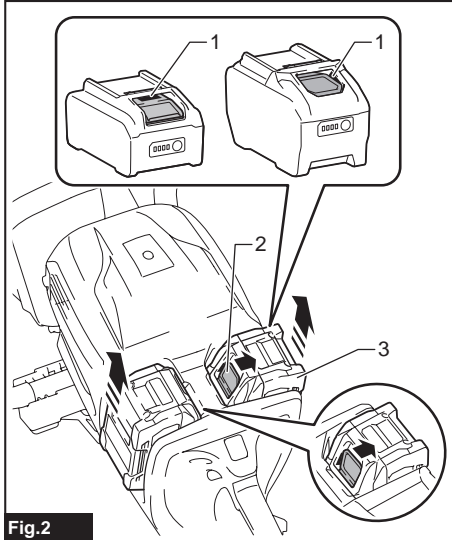


Fig.2

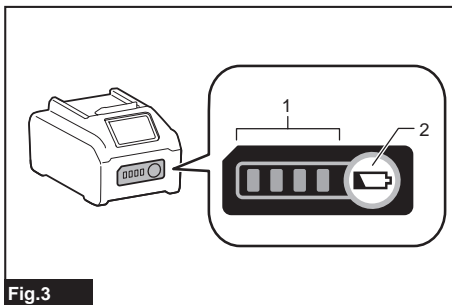


Fig.3

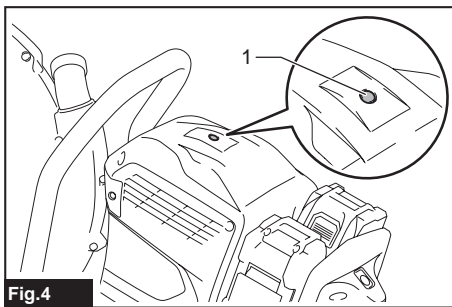


Fig.4

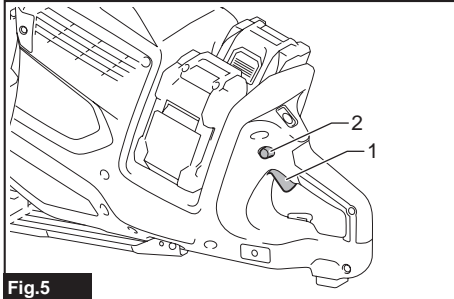


Fig.5

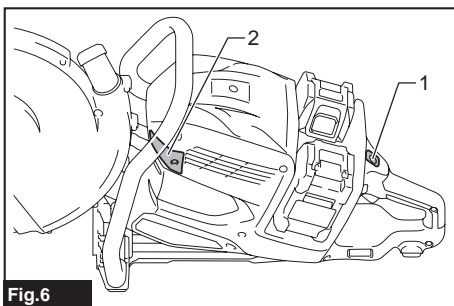


Fig.6

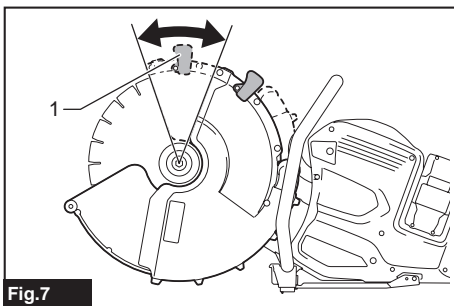


Fig.7

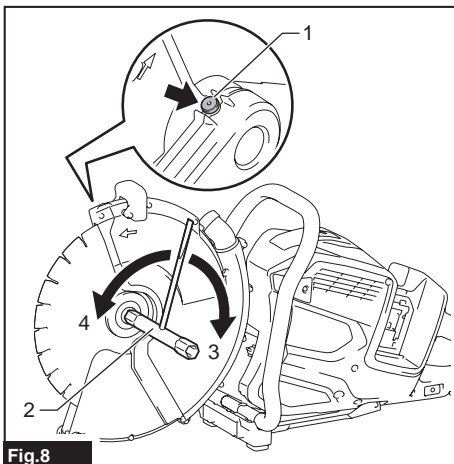


Fig.8

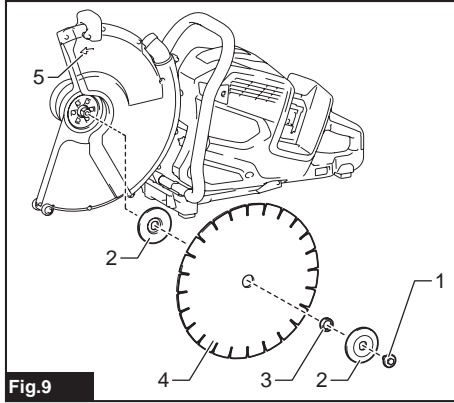


Fig.9

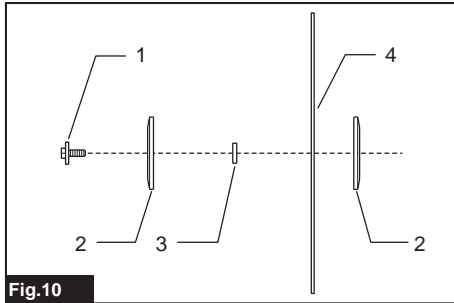


Fig.10

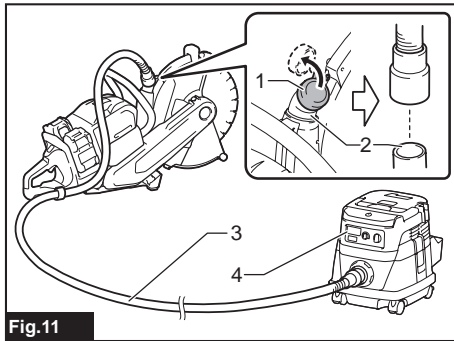


Fig.11

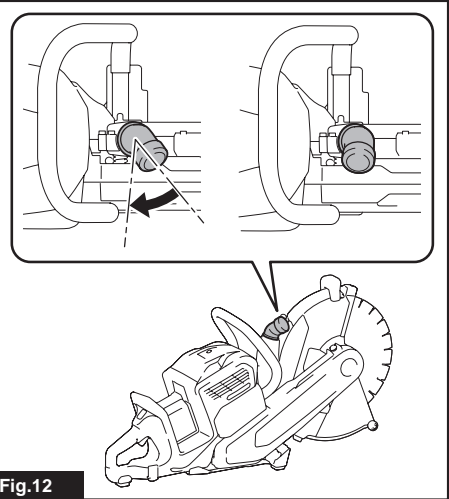


Fig.12

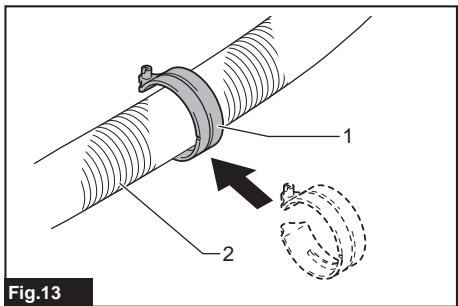


Fig.13

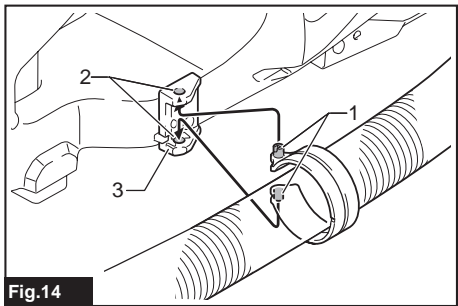


Fig.14

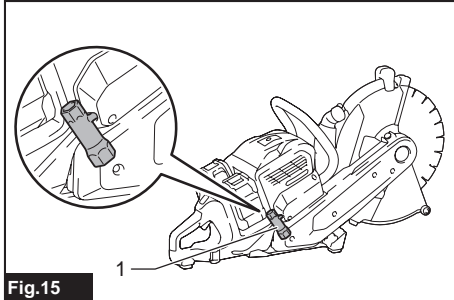


Fig.15

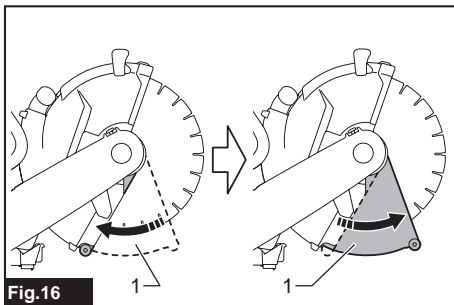


Fig.16

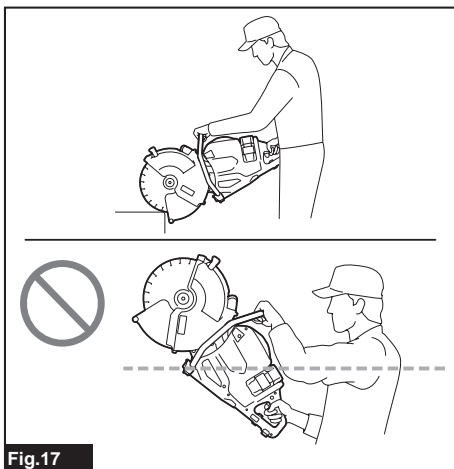


Fig.17

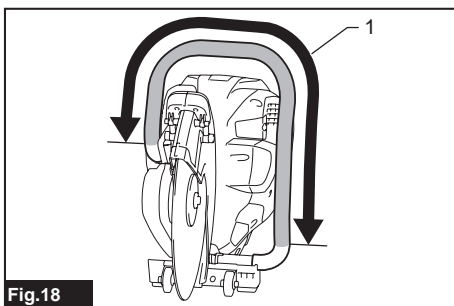


Fig.18

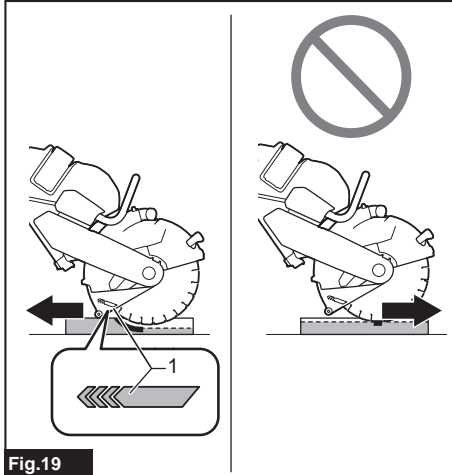


Fig.19

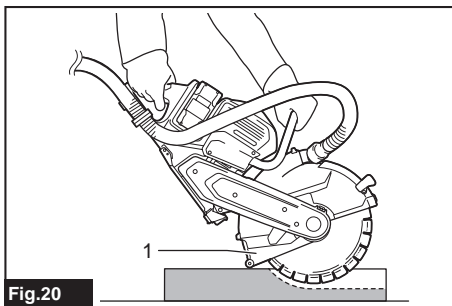


Fig.20

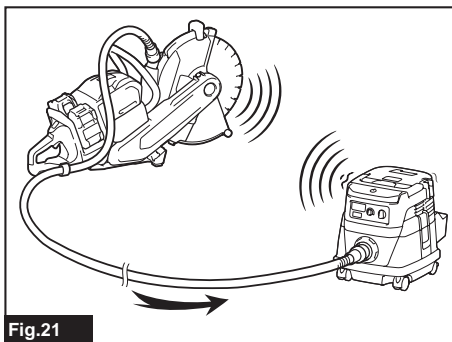


Fig.21

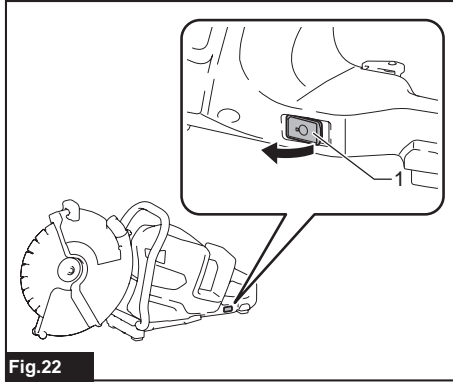


Fig.22

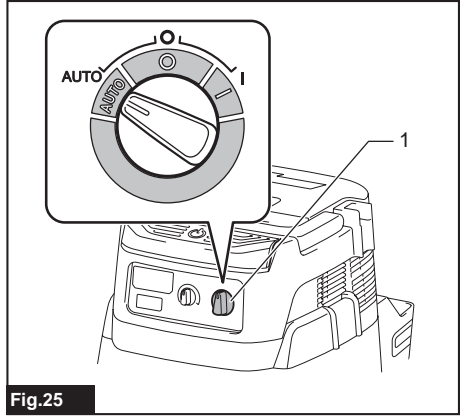


Fig.25

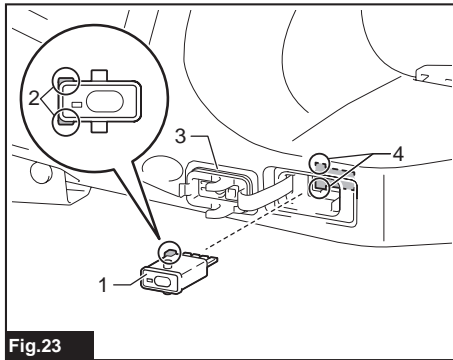


Fig.23

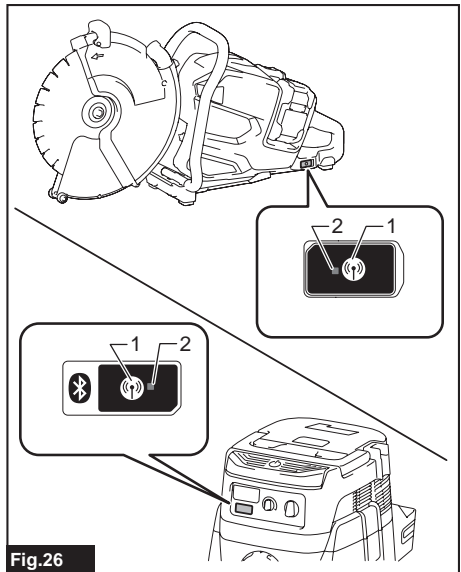


Fig.26

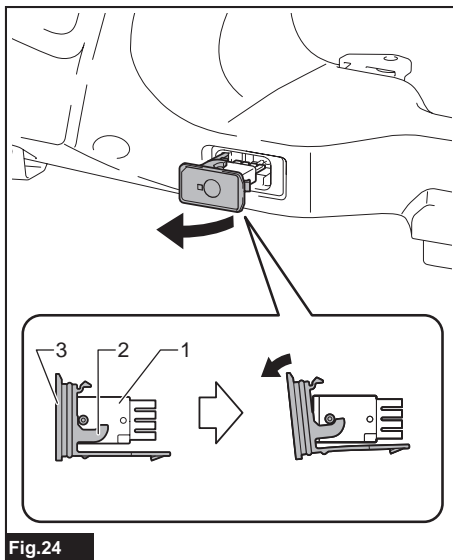


Fig.24

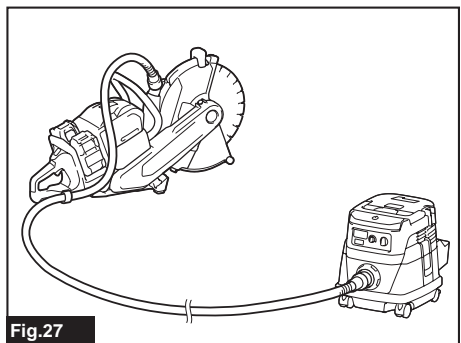


Fig.27

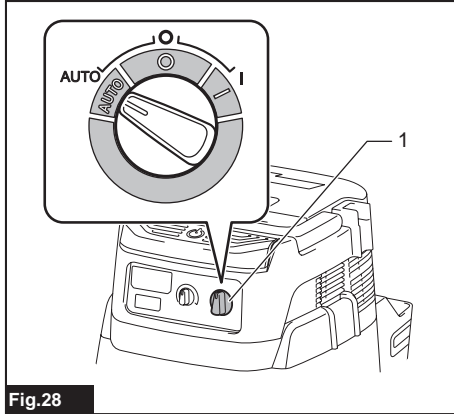


Fig.28

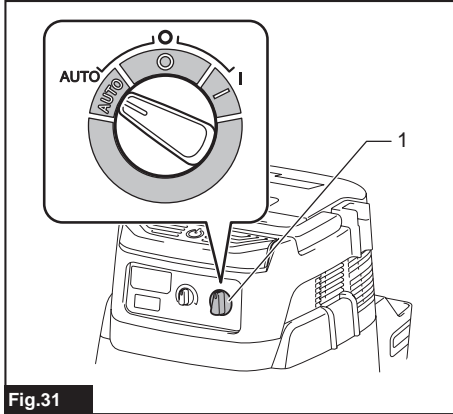


Fig.31

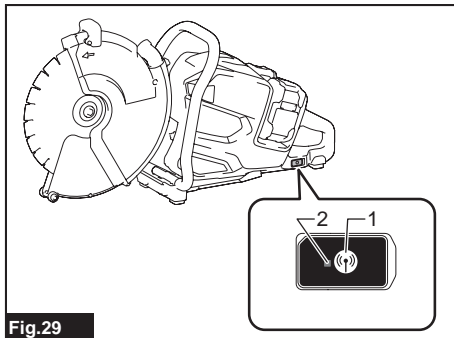


Fig.29

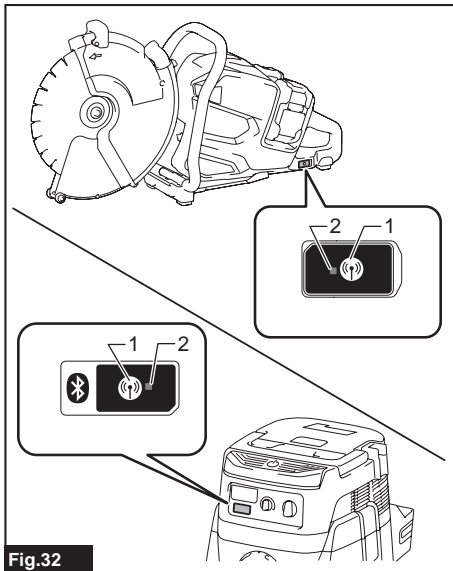


Fig.32

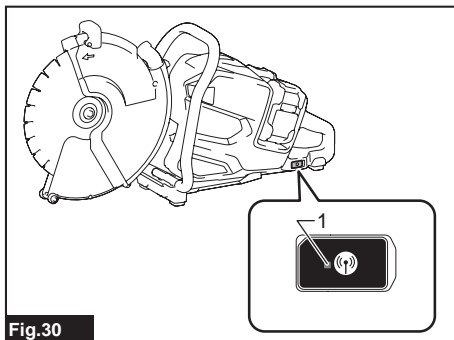


Fig.30

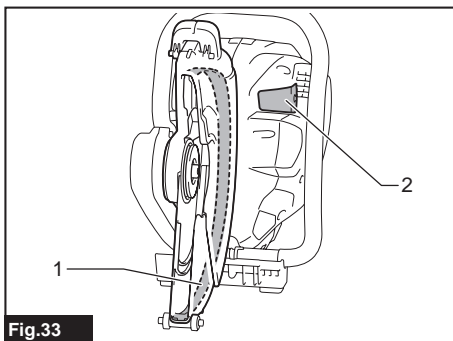


Fig.33

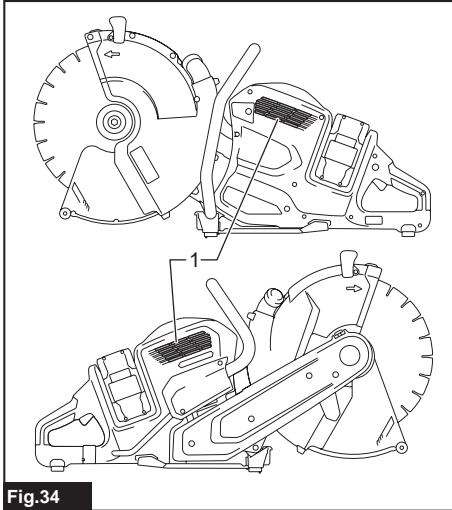


Fig. 34

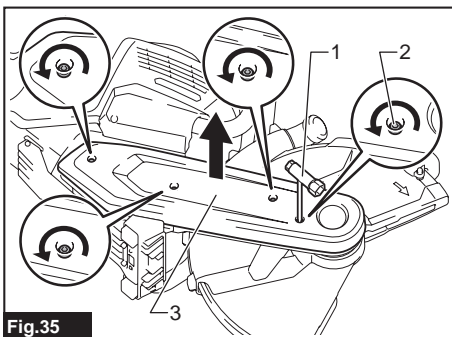


Fig. 35

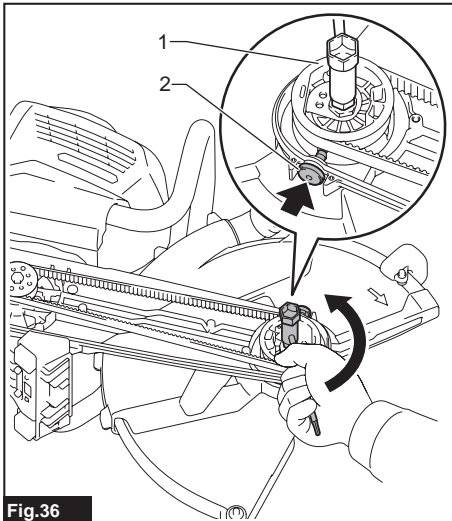


Fig. 36

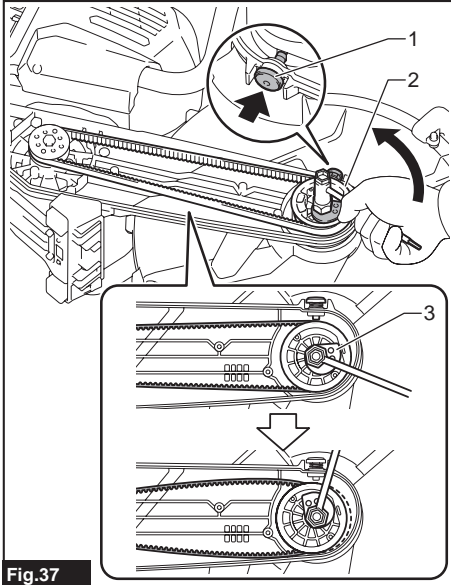


Fig. 37

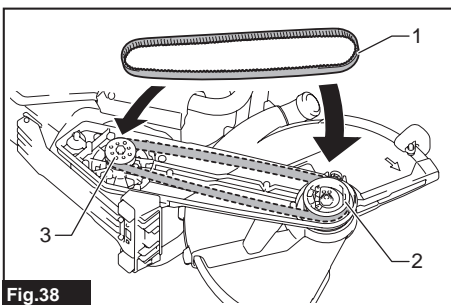


Fig. 38

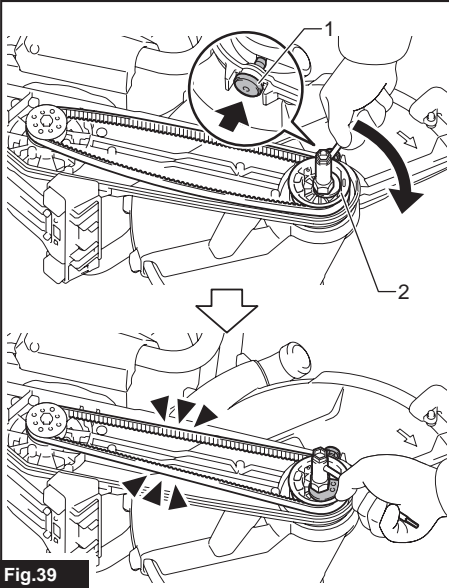


Fig.39

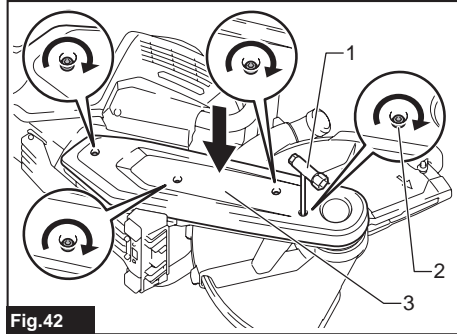


Fig.42

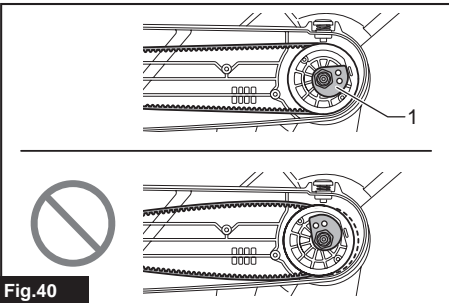


Fig.40

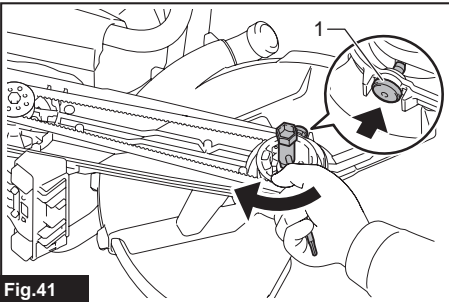


Fig.41

SPECIFICATIONS

Model:	CE002G
Wheel diameter	350 - 355 mm
Max. wheel thickness	4.0 mm
Max. cutting depth	127 mm
Rated speed	4,200 min ⁻¹
Rated voltage	D.C. 72 V - 80 V max
Recommended air volume of the vacuum cleaner	Equal to or more than 1.8 m ³ /min
Overall length	825 mm
Net weight	13.1 - 15.1 kg

- Due to our continuing program of research and development, the specifications herein are subject to change without notice.
- Specifications may differ from country to country.
- The weight may differ depending on the attachment(s), including the battery cartridge. The lightest and heaviest combinations, according to EPTA-Procedure 01/2014, are shown in the table.

Applicable battery cartridge and charger






Battery cartridge	BL4040 / BL4050F* / BL4080F* * : Recommended battery
Charger	DC40RA / DC40RB / DC40RC

- Some of the battery cartridges and chargers listed above may not be available depending on your region of residence.

⚠ WARNING: Only use the battery cartridges and chargers listed above. Use of any other battery cartridges and chargers may cause injury and/or fire.

Symbols

The followings show the symbols which may be used for the equipment. Be sure that you understand their meaning before use.

	Read instruction manual.
	Wear safety glasses.
	Do not use abrasive cut-off wheel. Only diamond wheel is applicable.
	Do not cut metal.
	Do not feed water.



Only for EU countries

Due to the presence of hazardous components in the equipment, waste electrical and electronic equipment, accumulators and batteries may have a negative impact on the environment and human health.

Do not dispose of electrical and electronic appliances or batteries with household waste!

In accordance with the European Directive on waste electrical and electronic equipment and on accumulators and batteries and waste accumulators and batteries, as well as their adaptation to national law, waste electrical equipment, batteries and accumulators should be stored separately and delivered to a separate collection point for municipal waste, operating in accordance with the regulations on environmental protection.

This is indicated by the symbol of the crossed-out wheeled bin placed on the equipment.

Intended use

The tool is intended for cutting in masonry materials with a diamond wheel.

Noise

The typical A-weighted noise level determined according to EN60745-2-22:

Sound pressure level (L_{pA}): 106 dB(A)

Sound power level (L_{WA}): 117 dB (A)

Uncertainty (K): 3 dB(A)

NOTE: The declared noise emission value(s) has been measured in accordance with a standard test method and may be used for comparing one tool with another.

NOTE: The declared noise emission value(s) may also be used in a preliminary assessment of exposure.

⚠ WARNING: Wear ear protection.

⚠ WARNING: The noise emission during actual use of the power tool can differ from the declared value(s) depending on the ways in which the tool is used especially what kind of workpiece is processed.

⚠ WARNING: Be sure to identify safety measures to protect the operator that are based on an estimation of exposure in the actual conditions of use (taking account of all parts of the operating cycle such as the times when the tool is switched off and when it is running idle in addition to the trigger time).

Vibration

Work mode: concrete cutting

Left hand		Right hand		Applicable standard
$a_{h,w}$ (m/s ²)	Uncertainty K (m/s ²)	$a_{h,w}$ (m/s ²)	Uncertainty K (m/s ²)	
≤ 2.5	1.5	≤ 2.5	1.5	EN60745-2-22

NOTE: The declared vibration total value(s) has been measured in accordance with a standard test method and may be used for comparing one tool with another.

NOTE: The declared vibration total value(s) may also be used in a preliminary assessment of exposure.

⚠ WARNING: The vibration emission during actual use of the power tool can differ from the declared value(s) depending on the ways in which the tool is used especially what kind of workpiece is processed.

⚠ WARNING: Be sure to identify safety measures to protect the operator that are based on an estimation of exposure in the actual conditions of use (taking account of all parts of the operating cycle such as the times when the tool is switched off and when it is running idle in addition to the trigger time).

Declarations of Conformity

For European countries only

The Declarations of conformity are included in Annex A to this instruction manual.

SAFETY WARNINGS

General power tool safety warnings

⚠ WARNING Read all safety warnings, instructions, illustrations and specifications provided with this power tool. Failure to follow all instructions listed below may result in electric shock, fire and/or serious injury.

Save all warnings and instructions for future reference.

The term "power tool" in the warnings refers to your mains-operated (corded) power tool or battery-operated (cordless) power tool.

Cordless power cutter safety warnings

Cut-off machine safety warnings

1. **The guard provided with the tool must be securely attached to the power tool and positioned for maximum safety, so the least amount of wheel is exposed towards the operator. Position yourself and bystanders away from the plane of the rotating wheel.** The guard helps to protect operator from broken wheel fragments and accidental contact with wheel.
2. **Use only diamond cut-off wheels for your power tool.** Just because an accessory can be attached to your power tool, it does not assure safe operation.
3. **The rated speed of the accessory must be at least equal to the maximum speed marked on the power tool.** Accessories running faster than their rated speed can break and fly apart.
4. **Wheels must be used only for recommended applications. For example: do not grind with the side of cut-off wheel.** Cut-off wheels are intended for peripheral grinding, side forces applied to these wheels may cause them to shatter.

5. **Always use undamaged wheel flanges that are of correct diameter for your selected wheel.** Proper wheel flanges support the wheel thus reducing the possibility of wheel breakage.
6. **The outside diameter and the thickness of your accessory must be within the capacity rating of your power tool.** Incorrectly sized accessories cannot be adequately guarded or controlled.
7. **The arbour size of wheels and flanges must properly fit the spindle of the power tool.** Wheels and flanges with arbour holes that do not match the mounting hardware of the power tool will run out of balance, vibrate excessively and may cause loss of control.
8. **Do not use damaged wheels. Before each use, inspect the wheels for chips and cracks. If power tool or wheel is dropped, inspect for damage or install an undamaged wheel. After inspecting and installing the wheel, position yourself and bystanders away from the plane of the rotating wheel and run the power tool at maximum no load speed for one minute.** Damaged wheels will normally break apart during this test time.
9. **Wear personal protective equipment.** Depending on application, use face shield, safety goggles or safety glasses. As appropriate, wear dust mask, hearing protectors, gloves and shop apron capable of stopping small abrasive or workpiece fragments. The eye protection must be capable of stopping flying debris generated by various operations. The dust mask or respirator must be capable of filtering particles generated by your operation. Prolonged exposure to high intensity noise may cause hearing loss.
10. **Keep bystanders a safe distance away from work area. Anyone entering the work area must wear personal protective equipment.** Fragments of workpiece or of a broken wheel may fly away and cause injury beyond immediate area of operation.
11. **Hold the power tool by insulated gripping surfaces only, when performing an operation where the cutting accessory may contact hidden wiring.** Cutting accessory contacting a "live" wire may make exposed metal parts of the power tool "live" and could give the operator an electric shock.
12. **Never lay the power tool down until the accessory has come to a complete stop.** The spinning wheel may grab the surface and pull the power tool out of your control.
13. **Do not run the power tool while carrying it at your side.** Accidental contact with the spinning accessory could snag your clothing, pulling the accessory into your body.
14. **Regularly clean the power tool's air vents.** The motor's fan will draw the dust inside the housing and excessive accumulation of powdered metal may cause electrical hazards.
15. **Do not operate the power tool near flammable materials.** Sparks could ignite these materials.
16. **Do not use accessories that require liquid coolants.** Using water or other liquid coolants may result in electrocution or shock.

Kickback and related warnings

Kickback is a sudden reaction to a pinched or snagged rotating wheel. Pinching or snagging causes rapid stalling of the rotating wheel which in turn causes the uncontrolled power tool to be forced in the direction opposite of the wheel's rotation at the point of the binding.

For example, if a wheel is snagged or pinched by the workpiece, the edge of the wheel that is entering into the pinch point can dig into the surface of the material causing the wheel to climb out or kick out. The wheel may either jump toward or away from the operator, depending on direction of the wheel's movement at the point of pinching. Wheels may also break under these conditions.

Kickback is the result of power tool misuse and/or incorrect operating procedures or conditions and can be avoided by taking proper precautions as given below.

1. **Maintain a firm grip on the power tool and position your body and arm to allow you to resist kickback forces. Always use auxiliary handle, if provided, for maximum control over kickback or torque reaction during start-up.** The operator can control torque reactions or kickback forces, if proper precautions are taken.
2. **Never place your hand near the rotating accessory.** Accessory may kickback over your hand.
3. **Do not position your body in line with the rotating wheel.** Kickback will propel the tool in direction opposite to the wheel's movement at the point of snagging.
4. **Use special care when working corners, sharp edges etc. Avoid bouncing and snagging the accessory.** Corners, sharp edges or bouncing have a tendency to snag the rotating accessory and cause loss of control or kickback.
5. **Do not attach a saw chain, woodcarving blade, segmented diamond wheel with a peripheral gap greater than 10 mm (3/8") or toothed saw blade.** Such blades create frequent kickback and loss of control.
6. **Do not "jam" the wheel or apply excessive pressure. Do not attempt to make an excessive depth of cut.** Overstressing the wheel increases the loading and susceptibility to twisting or binding of the wheel in the cut and the possibility of kickback or wheel breakage.
7. **When wheel is binding or when interrupting a cut for any reason, switch off the power tool and hold the power tool motionless until the wheel comes to a complete stop. Never attempt to remove the wheel from the cut while the wheel is in motion otherwise kickback may occur.** Investigate and take corrective action to eliminate the cause of wheel binding.
8. **Do not restart the cutting operation in the workpiece. Let the wheel reach full speed and carefully re-enter the cut.** The wheel may bind, walk up or kickback if the power tool is restarted in the workpiece.
9. **Support panels or any oversized workpiece to minimize the risk of wheel pinching and kickback.** Large workpieces tend to sag under their own weight. Supports must be placed under the workpiece near the line of cut and near the edge of the workpiece on both sides of the wheel.

10. Use extra caution when making a “pocket cut” into existing walls or other blind areas. The protruding wheel may cut gas or water pipes, electrical wiring or objects that can cause kickback.

Additional Safety Warnings:

1. Do not use abrasive cut-off wheel. Otherwise fire and/or excessive heating may cause burn injury.
2. Do not cut metal object. Otherwise fire and/or excessive heating may cause burn injury.
3. Before using a segmented diamond wheel, make sure that the diamond wheel has the peripheral gap between segments of 10 mm (3/8”) or less, only with a negative rake angle.
4. Never attempt to cut with the tool held upside down in a vise. This can lead to serious accidents, because it is extremely dangerous.
5. Some material contains chemicals which may be toxic. Take caution to prevent dust inhalation and skin contact. Follow material supplier safety data.
6. Store wheels as per manufacturer recommendations. Improper storage may damage the wheels.
7. Always use the wheel suitable for your work and the material to be cut.
8. Examine the material to be cut before cutting. If the material contains explosive or flammable substances, it may cause an explosion or fire.
9. Do not switch on the tool if a foreign object is jammed between the wheel cover and the wheel. In this case, uninstall the battery cartridge and remove the foreign object.
10. Use clamps or similar to support the work-piece whenever possible.
11. Always wear hearing protection during operation.
12. Do not cut wood materials with this tool.
13. The outside diameter and the thickness of the wheel must be within the capacity rating of your power tool. Incorrectly sized wheels cannot be adequately guarded or controlled.
14. When operating the power tool, maintain a firm grip with both hands on the power tool and position your body and arm to allow you to resist kickback forces.
15. Keep your hands or face away from the rotating wheel.
16. Adjust the wheel cover to a position suitable for your work.
17. Do not wet the tool with water, rain, mud, and puddle.
18. Do not leave the tool unattended outdoors.
19. When storing the tool, avoid direct sunlight and rain, and store it in a place where it does not get hot or humid.
20. Clean the filter of vacuum cleaner regularly.

SAVE THESE INSTRUCTIONS.

⚠ WARNING: DO NOT let comfort or familiarity with product (gained from repeated use) replace strict adherence to safety rules for the subject product. MISUSE or failure to follow the safety rules stated in this instruction manual may cause serious personal injury.

Important safety instructions for battery cartridge

1. Before using battery cartridge, read all instructions and cautionary markings on (1) battery charger, (2) battery, and (3) product using battery.
2. Do not disassemble or tamper with the battery cartridge. It may result in a fire, excessive heat, or explosion.
3. If operating time has become excessively shorter, stop operating immediately. It may result in a risk of overheating, possible burns and even an explosion.
4. If electrolyte gets into your eyes, rinse them out with clear water and seek medical attention right away. It may result in loss of your eyesight.
5. Do not short the battery cartridge:
 - (1) Do not touch the terminals with any conductive material.
 - (2) Avoid storing battery cartridge in a container with other metal objects such as nails, coins, etc.
 - (3) Do not expose battery cartridge to water or rain.A battery short can cause a large current flow, overheating, possible burns and even a breakdown.
6. Do not store and use the tool and battery cartridge in locations where the temperature may reach or exceed 50 °C (122 °F).
7. Do not incinerate the battery cartridge even if it is severely damaged or is completely worn out. The battery cartridge can explode in a fire.
8. Do not nail, cut, crush, throw, drop the battery cartridge, or hit against a hard object to the battery cartridge. Such conduct may result in a fire, excessive heat, or explosion.
9. Do not use a damaged battery.
10. The contained lithium-ion batteries are subject to the Dangerous Goods Legislation requirements.

For commercial transports e.g. by third parties, forwarding agents, special requirement on packaging and labeling must be observed.

For preparation of the item being shipped, consulting an expert for hazardous material is required. Please also observe possibly more detailed national regulations.

Tape or mask off open contacts and pack up the battery in such a manner that it cannot move around in the packaging.
11. When disposing the battery cartridge, remove it from the tool and dispose of it in a safe place. Follow your local regulations relating to disposal of battery.
12. Use the batteries only with the products specified by Makita. Installing the batteries to non-compliant products may result in a fire, excessive heat, explosion, or leak of electrolyte.
13. If the tool is not used for a long period of time, the battery must be removed from the tool.

14. During and after use, the battery cartridge may take on heat which can cause burns or low temperature burns. Pay attention to the handling of hot battery cartridges.
15. Do not touch the terminal of the tool immediately after use as it may get hot enough to cause burns.
16. Do not allow chips, dust, or soil stuck into the terminals, holes, and grooves of the battery cartridge. It may cause heating, catching fire, burst and malfunction of the tool or battery cartridge, resulting in burns or personal injury.
17. Unless the tool supports the use near high-voltage electrical power lines, do not use the battery cartridge near high-voltage electrical power lines. It may result in a malfunction or breakdown of the tool or battery cartridge.
18. Keep the battery away from children.

SAVE THESE INSTRUCTIONS.

⚠ CAUTION: Only use genuine Makita batteries. Use of non-genuine Makita batteries, or batteries that have been altered, may result in the battery bursting causing fires, personal injury and damage. It will also void the Makita warranty for the Makita tool and charger.

Tips for maintaining maximum battery life

1. Charge the battery cartridge before completely discharged. Always stop tool operation and charge the battery cartridge when you notice less tool power.
2. Never recharge a fully charged battery cartridge. Overcharging shortens the battery service life.
3. Charge the battery cartridge with room temperature at 10 °C - 40 °C (50 °F - 104 °F). Let a hot battery cartridge cool down before charging it.
4. When not using the battery cartridge, remove it from the tool or the charger.
5. Charge the battery cartridge if you do not use it for a long period (more than six months).

Important safety instructions for wireless unit

1. Do not disassemble or tamper with the wireless unit.
2. Keep the wireless unit away from young children. If accidentally swallowed, seek medical attention immediately.
3. Use the wireless unit only with Makita tools.
4. Do not expose the wireless unit to rain or wet conditions.
5. Do not use the wireless unit in places where the temperature exceeds 50 °C (122 °F).
6. Do not operate the wireless unit in places where medical instruments, such as heart pace makers are nearby.
7. Do not operate the wireless unit in places where automated devices are nearby. If operated, automated devices may develop malfunction or error.
8. Do not operate the wireless unit in places under high temperature or places where static electricity or electrical noise could be generated.
9. The wireless unit can produce electromagnetic fields (EMF) but they are not harmful to the user.
10. The wireless unit is an accurate instrument. Be careful not to drop or strike the wireless unit.
11. Avoid touching the terminal of the wireless unit with bare hands or metallic materials.
12. Always remove the battery on the product when installing the wireless unit into it.
13. When opening the lid of the slot, avoid the place where dust and water may come into the slot. Always keep the inlet of the slot clean.
14. Always insert the wireless unit in the correct direction.
15. Do not press the wireless activation button on the wireless unit too hard and/or press the button with an object with a sharp edge.
16. Always close the lid of the slot when operating.
17. Do not remove the wireless unit from the slot while the power is being supplied to the tool. Doing so may cause a malfunction of the wireless unit.
18. Do not remove the sticker on the wireless unit.
19. Do not put any sticker on the wireless unit.
20. Do not leave the wireless unit in a place where static electricity or electrical noise could be generated.
21. Do not leave the wireless unit in a place subject to high heat, such as a car sitting in the sun.
22. Do not leave the wireless unit in a dusty or powdery place or in a place corrosive gas could be generated.
23. Sudden change of the temperature may bedew the wireless unit. Do not use the wireless unit until the dew is completely dried.
24. When cleaning the wireless unit, gently wipe with a dry soft cloth. Do not use benzine, thinner, conductive grease or the like.
25. When storing the wireless unit, keep it in the supplied case or a static-free container.
26. Do not insert any devices other than Makita wireless unit into the slot on the tool.
27. Do not use the tool with the lid of the slot damaged. Water, dust, and dirt come into the slot may cause malfunction.
28. Do not pull and/or twist the lid of the slot more than necessary. Restore the lid if it comes off from the tool.
29. Replace the lid of the slot if it is lost or damaged.

SAVE THESE INSTRUCTIONS.

PARTS DESCRIPTION

► Fig.1

1	Diamond wheel	2	Wheel cover	3	Wheel cover grip	4	Dust nozzle
5	Front grip	6	Lamp	7	Battery cartridge	8	Lock-off button
9	Wireless activation lamp	10	Wireless activation button	11	Lower guard	12	Caster
13	Shaft lock button	14	Cover	15	Clamp holder	16	Handle
17	Switch trigger	18	Lamp button	19	Overload indicator	20	Hose clamp A
21	Hose clamp B	22	Box wrench	-	-	-	-

FUNCTIONAL DESCRIPTION

CAUTION: Always be sure that the tool is switched off and the battery cartridge is removed before adjusting or checking function on the tool.

Installing or removing battery cartridge

CAUTION: Always switch off the tool before installing or removing of the battery cartridge.

CAUTION: Hold the tool and the battery cartridge firmly when installing or removing battery cartridge. Failure to hold the tool and the battery cartridge firmly may cause them to slip off your hands and result in damage to the tool and battery cartridge and a personal injury.

To install the battery cartridge, align the tongue on the battery cartridge with the groove in the housing and slip it into place. Insert it all the way until it locks in place with a little click. If you can see the red indicator as shown in the figure, it is not locked completely.

To remove the battery cartridges, lift the battery cartridge while pushing the button on the front of the cartridge.

► Fig.2: 1. Red indicator 2. Button 3. Battery cartridge

CAUTION: Always install the battery cartridge fully until the red indicator cannot be seen. If not, it may accidentally fall out of the tool, causing injury to you or someone around you.

CAUTION: Do not install the battery cartridge forcibly. If the cartridge does not slide in easily, it is not being inserted correctly.

NOTE: The tool does not work with only one battery cartridge.

Indicating the remaining battery capacity

Press the check button on the battery cartridge to indicate the remaining battery capacity. The indicator lamps light up for a few seconds.

► Fig.3: 1. Indicator lamps 2. Check button

Indicator lamps			Remaining capacity
Lighted	Off	Blinking	
■	■	■	75% to 100%
■	■	■	50% to 75%
■	■	□	25% to 50%
■	□	□	0% to 25%
▣	□	□	Charge the battery.
■	■	□	The battery may have malfunctioned.
□	□	■	

NOTE: Depending on the conditions of use and the ambient temperature, the indication may differ slightly from the actual capacity.

NOTE: The first (far left) indicator lamp will blink when the battery protection system works.

Tool / battery protection system

The tool is equipped with a tool/battery protection system. This system automatically cuts off power to the motor to extend tool and battery life. The tool will automatically stop during operation if the tool or battery is placed under one of the following conditions.

Overload protection

When the tool/battery is operated in a manner that causes it to draw an abnormally high current, the tool automatically stops. In this situation, turn the tool off and stop the application that caused the tool to become overloaded. Then turn the tool on to restart.

Overheat protection

When the tool/battery is overheated, the tool stops automatically, and the lamp blinks. In this situation, let the tool cool down before turning the tool on again.

Overdischarge protection

When the battery capacity becomes low, the tool stops automatically, and the indicator lamp of battery cartridge blinks. If the tool does not operate even when the switches are operated, remove the batteries from the tool and charge the batteries.

Protections against other causes

Protection system is also designed for other causes that could damage the tool and allows the tool to stop automatically. Take all the following steps to clear the causes, when the tool has been brought to a temporary halt or stop in operation.

1. Turn the tool off, and then turn it on again to restart.
2. Charge the battery(ies) or replace it/them with recharged battery(ies).
3. Let the tool and battery(ies) cool down.

If no improvement can be found by restoring protection system, then contact your local Makita Service Center.

NOTICE: If the tool stops due to a cause not described above, refer to the section for troubleshooting.

Overload alert

If the tool is operated with excessive load, the overload indicator will blink in red. In this situation, reduce the load on the tool. Then, the indicator stops blinking.

► Fig.4: 1. Overload indicator

Switch action

WARNING: Before installing the battery cartridge into the tool, always check to see that the switch trigger actuates properly and returns to the "OFF" position when released.

WARNING: NEVER defeat the lock-off button by taping down or some other means. A switch with a negated lock-off button may result in unintentional operation and serious personal injury.

WARNING: NEVER use the tool if it runs when you simply pull the switch trigger without pressing the lock-off button. A switch in need of repair may result in unintentional operation and serious personal injury. Return tool to a Makita service center for proper repairs BEFORE further usage.

To prevent the switch trigger from being accidentally pulled, a lock-off button is provided. To start the tool, depress the lock-off button and pull the switch trigger. Release the switch trigger to stop.

► Fig.5: 1. Switch trigger 2. Lock-off button

NOTICE: Do not pull the switch trigger hard without pressing in the lock-off button. This can cause switch breakage.

Lighting the lamp

CAUTION: Do not look in the light or see the source of light directly.

To turn on the lamp, press the lamp button. To turn off, press the lamp button again.

► Fig.6: 1. Lamp button 2. Lamp

NOTE: The lamp will automatically be turned off if there is no operation with the tool for one minute.

Adjusting the wheel cover

Hold the wheel cover grip and adjust the position of the wheel cover suitable for your work.

► Fig.7: 1. Wheel cover grip

Active feedback sensing technology

The tool electronically detects situations where the wheel may be at risk to be bound. In the situation, the tool is automatically shut off to prevent further rotation of the spindle (it does not prevent kickback).

To restart the tool, switch off the tool first, remove the cause of sudden drop in the rotation speed, and then turn the tool on.

Electric brake

Electric brake is activated after the tool is switched off. The brake does not work when the power supply is shut down, such as the battery is removed accidentally, with the switch still on.

ASSEMBLY

CAUTION: Always be sure that the tool is switched off and the battery cartridge is removed before carrying out any work on the tool.

Installing or removing diamond wheel

CAUTION: Use only the Makita wrench to install or remove the wheel.

CAUTION: When installing the wheel, be sure to tighten the bolt securely.

CAUTION: Do not press the shaft lock button when the wheel is rotating.

To remove the wheel, press the shaft lock button and rotate the wheel until the wheel cannot revolve. While the shaft lock is fully locked, turn the hex bolt counter-clockwise using the box wrench. Then remove the hex bolt, flange, wheel, ring, and flange in order.

► Fig.8: 1. Shaft lock button 2. Box wrench 3. Tighten 4. Loosen

► Fig.9: 1. Hex bolt 2. Flange 3. Ring 4. Diamond wheel 5. Arrow (rotation direction of the wheel)

Install the wheel, follow the removal procedure in reverse.
BE SURE TO TIGHTEN THE HEX BOLT SECURELY.

CAUTION: Always install the wheel so that the arrow on it points in the same direction as the arrow on the wheel cover. Otherwise the wheel rotates in reverse, it may cause personal injury.

CAUTION: Only use the wheel that are marked with a speed equal or higher than the speed marked on the tool.

NOTE: When installing the wheel, be sure to attach the flanges so that the flat side of flange faces the wheel, and attach the ring that matches the inner diameter of the wheel.

► **Fig.10:** 1. Hex bolt 2. Flange 3. Ring 4. Diamond wheel

Connecting a vacuum cleaner

NOTICE: Always close the cap when not connecting a vacuum cleaner.

When you wish to perform clean cutting operation, connect a Makita vacuum cleaner to your tool.

Open the cap and connect a hose of the vacuum cleaner.

► **Fig.11:** 1. Cap 2. Dust nozzle 3. Hose 4. Vacuum cleaner

You can change the angle of the dust nozzle as shown in the figure.

► **Fig.12**

Hose clamp

NOTICE: Always remove the hose clamp from the tool when not in use.

NOTICE: Do not open or close the hose clamp excessively. Otherwise the hose clamp may be broken.

For easy handling of the hose of vacuum cleaner, hose clamp can be attached

1. Attach the hose clamp A or hose clamp B on the hose.

Type	Applicable outer diameter of hose
Hose clamp A	ø 40 mm - ø 46 mm (ø 1-9/16" - ø 1-13/16")
Hose clamp B	ø 35 mm - ø 40 mm (ø 1-3/8" - ø 1-9/16")

► **Fig.13:** 1. Hose clamp A / Hose clamp B 2. Hose

2. Insert the pins of hose clamp into the holes of clamp holder.

Make sure the two pins are fit in the holes.

► **Fig.14:** 1. Pin 2. Hole 3. Clamp holder

3. To remove the hose clamp, follow the installation procedure in reverse.

Box wrench storage

When not in use, store the box wrench as shown in the figure to keep it from being lost.

► **Fig.15:** 1. Box wrench

OPERATION

Checking the lower guard function

Remove the battery cartridge.

Retract the lower guard manually to the end and release it. The lower guard is properly functioning if;

- it is retracted without any hindrance and;
- it automatically returns to the original position.

► **Fig.16:** 1. Lower guard

If the lower guard is not functioning properly, check if dust is accumulated inside of the wheel cover. Some dust may be removed by retracting and returning the lower guard several times.

If the lower guard is not functioning properly even after removing dust, have your machine serviced at a Makita service center.

Notification about the abnormal noise

NOTICE: Do not use distorted or old diamond wheel. Otherwise malfunction, abnormal noise, or breakage may occur.

Even if the diamond wheel is new and without distortion, the diamond wheel may make abnormal noise such as metal friction when the tool is running at low speed. This is not malfunction of the tool.

Some kind of diamond wheel may make abnormal noise when the tool running at low speed. It is because the diamond wheel and the wheel cover are positioned very close for efficient dust collection.

Run the tool at full speed and operate proper cutting. The abnormal noise will be relieved.

Cutting operation

CAUTION: Be sure to hold the workpiece firmly down on a stable bench or table during operation.

CAUTION: Do not twist or force the tool in the cut, or the motor may be overloaded or the workpiece may break.

CAUTION: During operation, do not bring the tool higher than your shoulder height.

► **Fig.17**

1. Hold the tool firmly. Grasp the handle with your right hand and the front grip with your left hand. To prevent electric shock by accidental cutting of an electric cable, always hold the front grip by the designated portion as shown in the figure.

► **Fig.18:** 1. Part to hold

2. Switch on the tool without the diamond wheel making any contact and wait until the diamond wheel attains full speed.

3. Gently insert the diamond wheel straight into the workpiece, and slide the tool backward smoothly until the cutting is completed.

- Keep cutting line straight and sliding speed uniform.
- Slide the tool in the direction of the arrow on the lower guard.

If you move the tool forward (If you slide the tool in the opposite direction of the arrow), the dust collection efficiency will significantly decrease.

► Fig.19: 1. Arrow

- Keep applying the lower guard to the workpiece. If there is a clearance gap between the lower guard and the workpiece, dust will leak and the dust collection efficiency will decrease.

► Fig.20: 1. Lower guard

NOTE: When the battery cartridge temperature is low, the tool may not work to its full capacity. At this time, for example, use the tool for a light-duty cut for a while until the battery cartridge warms up as high as room temperature. Then, the tool can work to its full capacity.

NOTE: If the cutting action of the diamond wheel begins to diminish, dress the cutting edge of the wheel using an old discarded coarse grit bench grinder wheel or concrete block. Dress by pressing lightly on the outer edge of the diamond wheel.

WIRELESS ACTIVATION FUNCTION

Optional accessory

NOTICE: Install the optional dust cover and accessories before using this function.

What you can do with the wireless activation function

The wireless activation function enables clean and comfortable operation. By connecting a supported vacuum cleaner to the tool, you can run the vacuum cleaner automatically along with the switch operation of the tool.

► Fig.21

To use the wireless activation function, prepare following items:

- A wireless unit (optional accessory)
- A vacuum cleaner which supports the wireless activation function

The overview of the wireless activation function setting is as follows. Refer to each section for detail procedures.

1. Installing the wireless unit
2. Tool registration for the vacuum cleaner
3. Starting the wireless activation function

Installing the wireless unit

Optional accessory

CAUTION: Place the tool on a flat and stable surface when installing the wireless unit.

NOTICE: Clean the dust and dirt on the tool before installing the wireless unit. Dust or dirt may cause malfunction if it comes into the slot of the wireless unit.

NOTICE: To prevent the malfunction caused by static, touch a static discharging material, such as a metal part of the tool, before picking up the wireless unit.

NOTICE: When installing the wireless unit, always be sure that the wireless unit is inserted in the correct direction and the lid is completely closed.

1. Open the lid on the tool as shown in the figure.

► Fig.22: 1. Lid

2. Insert the wireless unit to the slot and then close the lid.

When inserting the wireless unit, align the projections with the recessed portions on the slot.

► Fig.23: 1. Wireless unit 2. Projection 3. Lid 4. Recessed portion

When removing the wireless unit, open the lid slowly. The hooks on the back of the lid will lift the wireless unit as you pull up the lid.

► Fig.24: 1. Wireless unit 2. Hook 3. Lid

After removing the wireless unit, keep it in the supplied case or a static-free container.

NOTICE: Always use the hooks on the back of the lid when removing the wireless unit. If the hooks do not catch the wireless unit, close the lid completely and open it slowly again.

Tool registration for the vacuum cleaner

NOTE: A Makita vacuum cleaner supporting the wireless activation function is required for the tool registration.

NOTE: Finish installing the wireless unit to the tool before starting the tool registration.

NOTE: During the tool registration, do not pull the switch trigger or turn on the power switch on the vacuum cleaner.

NOTE: Refer to the instruction manual of the vacuum cleaner, too.

If you wish to activate the vacuum cleaner along with the switch operation of the tool, finish the tool registration beforehand.

1. Install the batteries to the vacuum cleaner and the tool.

2. Set the stand-by switch on the vacuum cleaner to "AUTO".

► Fig.25: 1. Stand-by switch

3. Press the wireless activation button on the vacuum cleaner for 3 seconds until the wireless activation lamp blinks in green. And then press the wireless activation button on the tool in the same way.

► **Fig.26:** 1. Wireless activation button 2. Wireless activation lamp

If the vacuum cleaner and the tool are linked successfully, the wireless activation lamps will light up in green for 2 seconds and start blinking in blue.

NOTE: The wireless activation lamps finish blinking in green after 20 seconds elapsed. Press the wireless activation button on the tool while the wireless activation lamp on the cleaner is blinking. If the wireless activation lamp does not blink in green, push the wireless activation button briefly and hold it down again.

NOTE: When performing two or more tool registrations for one vacuum cleaner, finish the tool registration one by one.

Starting the wireless activation function

NOTE: Finish the tool registration for the vacuum cleaner prior to the wireless activation.

NOTE: Refer to the instruction manual of the vacuum cleaner, too.

After registering a tool to the vacuum cleaner, the vacuum cleaner will automatically runs along with the switch operation of the tool.

1. Install the wireless unit to the tool.
2. Connect the hose of the vacuum cleaner with the tool.

► **Fig.27**

3. Set the stand-by switch on the vacuum cleaner to "AUTO".

► **Fig.28:** 1. Stand-by switch

4. Push the wireless activation button on the tool briefly. The wireless activation lamp will blink in blue.

► **Fig.29:** 1. Wireless activation button 2. Wireless activation lamp

5. Turn on the tool. Check if the vacuum cleaner runs while the tool is operating.

To stop the wireless activation of the vacuum cleaner, push the wireless activation button on the tool.

NOTE: The wireless activation lamp on the tool will stop blinking in blue when there is no operation for 2 hours. In this case, set the stand-by switch on the vacuum cleaner to "AUTO" and push the wireless activation button on the tool again.

NOTE: The vacuum cleaner starts/stops with a delay. There is a time lag when the vacuum cleaner detects a switch operation of the tool.










NOTE: The transmission distance of the wireless unit may vary depending on the location and surrounding circumstances.

NOTE: When two or more tools are registered to one vacuum cleaner, the vacuum cleaner may start running even if you do not turn on your tool because another user is using the wireless activation function.

Description of the wireless activation lamp status

► Fig.30: 1. Wireless activation lamp

The wireless activation lamp shows the status of the wireless activation function. Refer to the table below for the meaning of the lamp status.

Status	Wireless activation lamp			Description
	Color	 On	 Blinking	
Standby	Blue		2 hours	The wireless activation of the vacuum cleaner is available. The lamp will automatically turn off when no operation is performed for 2 hours.
			When the tool is running.	The wireless activation of the vacuum cleaner is available and the tool is running.
Tool registration	Green		20 seconds	Ready for the tool registration. Waiting for the registration by the vacuum cleaner.
			2 seconds	The tool registration has been finished. The wireless activation lamp will start blinking in blue.
Cancelling tool registration	Red		20 seconds	Ready for the cancellation of the tool registration. Waiting for the cancellation by the vacuum cleaner.
			2 seconds	The cancellation of the tool registration has been finished. The wireless activation lamp will start blinking in blue.
Others	Red		3 seconds	The power is supplied to the wireless unit and the wireless activation function is starting up.
	Off	-	-	The wireless activation of the vacuum cleaner is stopped.

Cancelling tool registration for the vacuum cleaner

Perform the following procedure when cancelling the tool registration for the vacuum cleaner.

1. Install the batteries to the vacuum cleaner and the tool.

2. Set the stand-by switch on the vacuum cleaner to "AUTO".

► Fig.31: 1. Stand-by switch

3. Press the wireless activation button on the vacuum cleaner for 6 seconds. The wireless activation lamp blinks in green and then become red. After that, press the wireless activation button on the tool in the same way.

► Fig.32: 1. Wireless activation button 2. Wireless activation lamp

If the cancellation is performed successfully, the wireless activation lamps will light up in red for 2 seconds and start blinking in blue.

NOTE: The wireless activation lamps finish blinking in red after 20 seconds elapsed. Press the wireless activation button on the tool while the wireless activation lamp on the cleaner is blinking. If the wireless activation lamp does not blink in red, push the wireless activation button briefly and hold it down again.

Troubleshooting for wireless activation function

Before asking for repairs, conduct your own inspection first. If you find a problem that is not explained in the manual, do not attempt to dismantle the tool. Instead, ask Makita Authorized Service Centers, always using Makita replacement parts for repairs.

State of abnormality	Probable cause (malfunction)	Remedy
The wireless activation lamp does not light/blink.	The wireless unit is not installed into the tool. The wireless unit is improperly installed into the tool.	Install the wireless unit correctly.
	The terminal of the wireless unit and/or the slot is dirty.	Gently wipe off dust and dirt on the terminal of the wireless unit and clean the slot.
	The wireless activation button on the tool has not been pushed.	Push the wireless activation button on the tool briefly.
	The stand-by switch on the vacuum cleaner is not set to "AUTO".	Set the stand-by switch on the vacuum cleaner to "AUTO".
	No power supply	Supply the power to the tool and the vacuum cleaner.
Cannot finish tool registration / cancelling tool registration successfully.	The wireless unit is not installed into the tool. The wireless unit is improperly installed into the tool.	Install the wireless unit correctly.
	The terminal of the wireless unit and/or the slot is dirty.	Gently wipe off dust and dirt on the terminal of the wireless unit and clean the slot.
	The stand-by switch on the vacuum cleaner is not set to "AUTO".	Set the stand-by switch on the vacuum cleaner to "AUTO".
	No power supply	Supply the power to the tool and the vacuum cleaner.
	Incorrect operation	Push the wireless activation button briefly and perform the tool registration/cancellation procedures again.
	The tool and vacuum cleaner are away from each other (out of the transmission range).	Get the tool and vacuum cleaner closer to each other. The maximum transmission distance is approximately 10 m however it may vary according to the circumstances.
	Before finishing the tool registration/cancellation; - the switch of the tool is turned on or; - the power button on the vacuum cleaner is turned on.	Push the wireless activation button briefly and perform the tool registration/cancellation procedures again.
	The tool registration procedures for the tool or vacuum cleaner have not finished.	Perform the tool registration procedures for both the tool and the vacuum cleaner at the same timing.
	Radio disturbance by other appliances which generate high-intensity radio waves.	Keep the tool and vacuum cleaner away from the appliances such as Wi-Fi devices and microwave ovens.
The vacuum cleaner does not run along with the switch operation of the tool.	The wireless unit is not installed into the tool. The wireless unit is improperly installed into the tool.	Install the wireless unit correctly.
	The terminal of the wireless unit and/or the slot is dirty.	Gently wipe off dust and dirt on the terminal of the wireless unit and clean the slot.
	The wireless activation button on the tool has not been pushed.	Push the wireless activation button briefly and make sure that the wireless activation lamp is blinking in blue.
	The stand-by switch on the vacuum cleaner is not set to "AUTO".	Set the stand-by switch on the vacuum cleaner to "AUTO".
	More than 10 tools are registered to the vacuum cleaner.	Perform the tool registration again. If more than 10 tools are registered to the vacuum cleaner, the tool registered earliest will be cancelled automatically.
	The vacuum cleaner erased all tool registrations.	Perform the tool registration again.
	No power supply	Supply the power to the tool and the vacuum cleaner.
	The tool and vacuum cleaner are away from each other (out of the transmission range).	Get the tool and vacuum cleaner closer each other. The maximum transmission distance is approximately 10 m however it may vary according to the circumstances.
	Radio disturbance by other appliances which generate high-intensity radio waves.	Keep the tool and vacuum cleaner away from the appliances such as Wi-Fi devices and microwave ovens.
The vacuum cleaner runs while the tool is not operating.	Other users are using the wireless activation of the vacuum cleaner with their tools.	Turn off the wireless activation button of the other tools or cancel the tool registration of the other tools.

MAINTENANCE

CAUTION: Always be sure that the tool is switched off and the battery cartridge is removed before attempting to perform inspection or maintenance.

NOTICE: Never use gasoline, benzine, thinner, alcohol or the like. Discoloration, deformation or cracks may result.

To maintain product SAFETY and RELIABILITY, repairs, any other maintenance or adjustment should be performed by Makita Authorized or Factory Service Centers, always using Makita replacement parts.

Cleaning the tool

NOTICE: Do not wash the tool with water.

After each use, remove the battery cartridges and the wheel, and then clean dust or dirt accumulated inside the wheel cover. Clean the tool body by wiping off dust, dirt with a dry cloth or one dipped in soapy water and wrung out. Use a dry cloth to wipe the dirt off the lens of the lamp. Be careful not to scratch the lens of lamp, or it may lower the illumination.

► **Fig.33:** 1. Wheel cover 2. Lens of the lamp

Cleaning the air vent

Regularly clean the tool's air vents or whenever the vents start to become obstructed.

► **Fig.34:** 1. Air vent

Replacing the synchro-belt

1. Remove the battery cartridges and the wheel.
2. Loosen the hex socket bolts using the tip of the box wrench, and then remove the cover.
► **Fig.35:** 1. Box wrench 2. Hex socket bolt 3. Cover
3. Push in the shaft lock button and hold it to lock the large pulley, and then turn the nut counterclockwise using the thin end of the box wrench.
► **Fig.36:** 1. Large pulley 2. Shaft lock button
4. Push in the shaft lock button and hold it to lock the large pulley, and then turn the small disc counterclockwise using the thick end of the box wrench to loosen the synchro-belt.
► **Fig.37:** 1. Shaft lock button 2. Large pulley 3. Small disc
5. Remove the belt.
6. With the grooves on the belt inside, attach one end of the belt to the small pulley, and then attach the other end of the belt to the large pulley.
► **Fig.38:** 1. Belt 2. Large pulley 3. Small pulley

7. Push in the shaft lock button and hold it to lock the large pulley, and then turn the small disc clockwise using the thick end of the box wrench to tighten the belt.
► **Fig.39:** 1. Shaft lock button 2. Large pulley

NOTE: Make sure that the small disc is in the position shown in the figure.
► **Fig.40:** 1. Small disc

8. Push in the shaft lock button and hold it to lock the large pulley, and then turn the nut clockwise using the thin end of the box wrench.
► **Fig.41:** 1. Shaft lock button

NOTE: When tightening the nut, apply 19 - 21 N·m as tightening torque.

9. Attach the cover, and then tighten the hex socket bolts using the tip of the box wrench.
► **Fig.42:** 1. Box wrench 2. Hex socket bolt 3. Cover

TROUBLESHOOTING

Before asking for repairs, conduct your own inspection first. If you find a problem that is not explained in the manual, do not attempt to dismantle the tool. Instead, ask Makita Authorized Service Centers, always using Makita replacement parts for repairs.

State of abnormality	Probable cause (malfunction)	Remedy
Motor does not run.	Battery cartridges are not installed.	Install two battery cartridges. This tool does not work with one battery cartridge.
	Battery problem (under voltage)	Recharge the battery. If recharging is not effective, replace the battery cartridge.
	The drive system does not work correctly.	Ask your local authorized service center for repair.
Motor stops running after a little use.	Battery's charge level is low.	Recharge the battery. If recharging is not effective, replace the battery cartridge.
	Overheating.	Stop using of tool to allow it to cool down.
The wheel rotation does not accelerate properly even after running the tool without load for 20 seconds.	Battery is installed improperly.	Install the battery cartridges as described in this manual.
	Battery power is dropping.	Recharge the battery cartridges. If recharging is not effective, replace the battery cartridge.
	The synchro-belt is slipping.	Replace the synchro-belt with new one.
	The drive system does not work correctly.	Ask your local authorized service center for repair.
Wheel does not rotate: ⇒ Stop the machine immediately!	The synchro-belt is slipping.	Replace the synchro-belt with new one.
	Foreign object is jammed between the wheel cover and the wheel.	Uninstall the battery cartridges and then remove the foreign object.
	The drive system does not work correctly.	Ask your local authorized service center for repair.
Abnormal vibration: ⇒ Stop the machine immediately!	Improper attachment of the wheel.	Install the wheel as instructed in this manual. Tighten the bolt to secure the wheel firmly.
	The drive system does not work correctly.	Ask your local authorized service center for repair.
Cutting tool and motor cannot stop: ⇒ Remove the battery cartridge immediately!	Electric or electronic malfunction.	Remove the battery cartridges, and ask your local authorized service center for repair.
Poor cutting performance	It is time to replace the wheel.	Replace the wheel with new one.
Weak suction power of the vacuum cleaner.	The filter of the vacuum cleaner is clogged.	Clean the filter. If cleaning the filter does not solve the problem, replace the filter.
The lower guard is not properly functioning.	Dust is accumulated inside of the wheel cover.	Retract and return the lower guard several times.

OPTIONAL ACCESSORIES

⚠ CAUTION: These accessories or attachments are recommended for use with your Makita tool specified in this manual. The use of any other accessories or attachments might present a risk of injury to persons. Only use accessory or attachment for its stated purpose.

- Box wrench
- Wireless unit
- Makita genuine battery and charger

NOTE: Some items in the list may be included in the tool package as standard accessories. They may differ from country to country.

If you need any assistance for more details regarding these accessories, ask your local Makita Service Center.

- Diamond wheel
- Ring set
- Synchro-belt

SPECIFIKATIONER

Modell:	CE002G
Kapskivans diameter	350 – 355 mm
Max. skivjocklek	4,0 mm
Max kapningsdjup	127 mm
Nominellt varvtal	4 200 min ⁻¹
Märkspänning	72 V - 80 V likström max
Rekommenderad luftvolym för dammsugaren	Lika med eller mer än 1,8 m ³ /min
Total längd	825 mm
Nettovikt	13,1 - 15,1 kg

- På grund av vårt pågående program för forskning och utveckling kan dessa specifikationer ändras utan föregående meddelande.
- Specifikationer kan variera mellan olika länder.
- Vikten kan variera beroende på tillbehören, inklusive batterikassett. Den lättaste och den tyngsta kombinationen enligt EPTA-procedur 01/2014 visas i tabellen.

Tillgänglig batterikassett och laddare








Batterikassett	BL4040 / BL4050F* / BL4080F* * : Rekommenderat batteri
Laddare	DC40RA / DC40RB / DC40RC

- Vissa av batterikassetterna och laddarna på listan ovan kanske inte finns tillgängliga i din region.

⚠ VARNING: Använd endast batterikassetter och laddare från listan ovan. Användning av andra batterikassetter och laddare kan orsaka personskada och/eller brand.

Symboler

Följande visar symbolerna som kan användas för utrustningen. Se till att du förstår innebörden innan användning.

	Läs igenom bruksanvisningen.
 	Använd skyddsglasögon.
 	Använd inte en slipande kapskiva. Använd endast diamantskivor.
	Kapa inte metall.
	Mata inte vatten.



Gäller endast inom EU

P.g.a. förekomsten av farliga komponenter i utrustningen kan avfall innehållande elektrisk och elektronisk utrustning, ackumulatörer och batterier ha negativ inverkan på miljön och människors hälsa.

Kassera inte elektriska och elektroniska apparater eller batterier ihop med hushållsavfall!

I enlighet med EU-direktiven om avfall som utgörs av eller innehåller elektrisk och elektronisk utrustning och om batterier och ackumulatörer och förbrukade batterier och ackumulatörer, och dess införlivande i nationell lagstiftning, bör förbrukad elektrisk och elektronisk utrustning, batterier och ackumulatörer förvaras separat och transporteras till en särskild uppsamlingsplats för kommunalt avfall, som drivs i enlighet med regelverket för miljöskydd. Detta anges av symbolen med den överkryssade soptunnan på hjul som sitter på utrustningen.

Avsedd användning

Verktyget är avsett för kapning i murverksmaterial med en diamantskiva.

Buller

Den normala bullernivån för A-belastning är bestämd enligt EN60745-2-22:

Ljudtrycksnivå (L_{pA}): 106 dB (A)

Ljudeffektnivå (L_{WA}): 117 dB (A)

Måttolerans (K): 3 dB (A)

OBS: Det deklarerade bullervärdet har uppmätts i enlighet med standardtestmetoden och kan användas för jämförandet av en maskin med en annan.

OBS: Det deklarerade bulleremissionsvärdet kan också användas i en preliminär bedömning av exponering för vibration.

⚠ VARNING: Använd hörselskydd.

⚠ VARNING: Bulleremissionen under faktisk användning av maskinen kan skilja sig från det deklarerade värdet, beroende på hur maskinen används och särskilt vilken typ av arbetsstycke som behandlas.

⚠ VARNING: Var noga med att identifiera säkerhetsåtgärder för att skydda användaren, vilka är grundade på en uppskattning av graden av exponering för vibrationer under de faktiska användningsförhållandena, (ta, förutom avtryckartiden, med alla delar av användarcykeln i beräkningen, som till exempel tiden då maskinen är avstängd och när den går på tomgång).

Vibration

Arbetsläge: betongskärning

Vänster hand		Höger hand		Gällande standard
$a_{h,w}$ (m/s^2)	Osäkerhets-K (m/s^2)	$a_{h,w}$ (m/s^2)	Osäkerhets-K (m/s^2)	
$\leq 2,5$	1,5	$\leq 2,5$	1,5	EN60745-2-22

OBS: Det deklarerade totala vibrationsvärdet har uppmätts i enlighet med standardtestmetoden och kan användas för jämförandet av en maskin med en annan.

OBS: Det deklarerade totala vibrationsvärdet kan också användas i en preliminär bedömning av exponering för vibration.

⚠ VARNING: Vibrationsemissionen under faktisk användning av maskinen kan skilja sig från det deklarerade värdet, beroende på hur maskinen används och särskilt vilken typ av arbetsstycke som behandlas.

⚠ VARNING: Var noga med att identifiera säkerhetsåtgärder för att skydda användaren, vilka är grundade på en uppskattning av graden av exponering för vibrationer under de faktiska användningsförhållandena, (ta, förutom avtryckartiden, med alla delar av användarcykeln i beräkningen, som till exempel tiden då maskinen är avstängd och när den går på tomgång).

Försäkran om överensstämmelse

Gäller endast inom EU

Försäkran om överensstämmelse ingår i bilaga A till denna bruksanvisning.

SÄKERHETSVARNINGAR

Allmänna säkerhetsvarningar för maskiner

⚠ VARNING Läs alla säkerhetsvarningar, instruktioner, illustrationer och specifikationer som medföljer detta elverktyg. Underlåtenhet att följa alla instruktioner nedan kan leda till elstötar, brand och/eller allvarliga personskador.

Spara alla varningar och instruktioner för framtida referens.

Termen "maskin" som anges i varningarna hänvisar till din eldrivna maskin (sladdansluten) eller batteridrivna maskin (sladdlös).

Säkerhetsvarningar för batteridrivna kapmaskin

Säkerhetsvarningar för kapmaskin

- Sprängskyddet som medföljer verktyget måste vara ordentligt fäst vid verktyget och placerat för maximal säkerhet, så att minsta möjliga yta av kapskivan är öppen mot användaren. Se till att du själv och kringstående personer är ur vägen för den roterande kapskivan. Sprängskyddet skyddar användaren mot trasiga skivfragment och oavsiktlig kontakt med kapskivan.**
- Använd endast diamantkapskivor med ditt elverktyg.** Även om ett tillbehör kan fästas på elverktyget garanterar detta inte säker användning.
- Tillbehörets nominella varvtalet måste vara minst lika med det maximala varvtalet som anges på verktyget.** Tillbehör som används över det nominella varvtalet kan gå sönder och orsaka skador.
- Skivorna får endast användas för rekommenderade arbetsuppgifter. Till exempel: Slipa inte med sidan av en kapskiva.** Kapskivor är avsedda för periferislipning. Sidokrafter kan spränga sådana skivor.

5. **Använd alltid oskadade skivflansar i rätt diameter till din kapskiva.** Rätt skivflansar stöder kapskivan och minskar därigenom risken för att skivan går sönder.
6. **Tillbehörets ytterdiameter och tjocklek måste vara anpassad till elverktygets kapacitetsklassning.** Tillbehör i olämplig storlek kan inte skyddas eller styras tillräckligt väl.
7. **Styrhålet på skivor och flansar måste exakt passa elverktygets spindelstorlek.** Skivor och flansar med styrhål som inte passar monteringen på elverktyget orsakar obalans, överdriven vibration och eventuellt att användaren förlorar kontrollen över verktyget.
8. **Använd inte skadade skivor. Kontrollera skivorna avseende flisor och sprickor innan varje användning.** Om du tappar verktyget eller kapskivan ska du kontrollera att det inte har uppstått några skador, eller montera en oskadad skiva. Efter inspektion och montering av kapskivan ska du placera dig själv och eventuella kringstående personer ur vägen för den roterande skivan och köra verktyget på full hastighet utan last i en minut. Skadade kapskivor går normalt sett sönder under den här testperioden.
9. **Använd personlig skyddsutrustning. Använd visir, korgglasögon eller skyddsglasögon beroende på arbetsuppgift. Om så är lämpligt använder du dammask, hörselskydd, handskar och verkstadsförkläde som kan skydda mot avskrap eller små fragment från arbetsstycket.** Ögonskyddet måste kunna stoppa flygande fragment som uppstår vid olika arbeten. Dammskyddet eller andningsskyddet måste kunna filtrera partiklar som uppstår vid olika arbeten. Lång tid i kraftigt buller kan orsaka hörselskador.
10. **Håll personer i omgivningen på säkert avstånd från arbetsområdet. Alla som befinner sig i arbetsområdet måste använda skyddsutrustning.** Fragment från arbetsstycket eller från en trasig kapskiva kan flyga iväg och orsaka skada bortom det omedelbara arbetsområdet.
11. **Håll endast verktyget i de isolerade handtagen om det finns risk för att skärverktyget kan komma i kontakt med en dold elkabel.** Om skärverktyget kommer i kontakt med en strömförande ledning blir verktygets blottlagda metalldelar strömförande och kan ge användaren en elektrisk stöt.
12. **Lägg aldrig elverktyget åt sidan förrän det har stannat helt.** Den roterande kapskivan kan gripa tag i ytan och du kan förlora kontrollen över verktyget.
13. **Kör inte verktyget samtidigt som du bär det.** Oavsiktlig kontakt med det roterande tillbehöret kan leda till att det fastnar i dina kläder och dras in mot kroppen.
14. **Rengör regelbundet verktygets ventilationsöppningar.** Motors fläkt suger in damm i höljet och överdriven ansamling av pulveriserad metall kan orsaka elektrisk fara.
15. **Använd inte verktyget i närheten av lättantändliga material.** Gnistor kan antända dessa material.
16. **Använd inte tillbehör som kräver flytande kylmedel.** Att använda vatten eller andra flytande kylmedel kan orsaka dödsfall eller elektriska stötar.

Varningar för bakåtkast och liknade
 Bakåtkast inträffar som en plötslig reaktion på en fastklämd eller fasthakad roterande kapskiva. Fastklämning eller fasthakning orsakar snabbstopp av den roterande kapskivan, vilket i sin tur tvingar verktyget i motsatt riktning mot skivans rörelse vid kärvningspunkten. Till exempel, om en skiva blockeras eller kläms fast av arbetsstycket kan skivans skärande kant gräva sig in i materialytan vid klämpunkten och orsaka att skivan klättrar eller studsar tillbaka. Skivan kan antingen hoppa mot eller från användaren, beroende på skivans rörelseriktning vid klämpunkten. Skivorna kan även gå sönder under dessa omständigheter.
 Bakåtkast beror på ovarsamhet och/eller felaktiga arbetsrutiner, och kan undvikas genom att vidta nedanstående förebyggande åtgärder.

1. **Se till att hålla verktyget i ett fast grepp och placera kroppen och din arm på ett sätt som gör att du kan stå emot kraften från bakåtkast.** Använd alltid ett extrahandtag, om sådant finns, för maximal kontroll vid bakåtkast eller vridrörelsen vid start. Användaren kan kontrollera vridrörelsen eller krafterna vid bakåtkast om rätt försiktighetsåtgärder vidtas.
2. **Placera aldrig din hand nära det roterande tillbehöret.** Tillbehöret kan kastas bakåt över din hand.
3. **Placera inte din kropp i linje med den roterande kapskivan.** Bakåtkast driver verktyget i motsatt riktning till kapskivans rörelse vid kärvningspunkten.
4. **Var extra försiktig när du bearbetar hörn, vassa kanter osv. Undvik att studsas och stöta tillbehöret.** Hörn, skarpa kanter eller studsning har en tendens att klämma det roterande tillbehöret och orsaka förlorad kontroll eller bakåtkast.
5. **Montera inte en sågkedja, ett snidarblad, en segmenterad diamantskiva med en periferispalt på över 10 mm (3/8") eller en tandad sågklinga.** Sådana blad orsakar ofta bakåtkast och förlorad kontroll.
6. **"Pressa" inte kapskivan eller utsätt den för överdrivet tryck. Försök inte att göra ett alltför stort kapdjup.** Om kapskivan överbelastas ökar belastningen och risken för att skivan vrids eller fastnar i kapet samt risken för bakåtkast eller att skivan går sönder.
7. **Om kapskivan kärvar eller om ett kap avbryts stänger du av elverktyget och håller det stilla tills skivan har stannat helt. Försök aldrig att ta bort kapskivan från kapet medan skivan rör sig, då detta kan orsaka bakåtkast.** Undersök och vidta korrigeringsåtgärder för att eliminera orsaken till att kapskivan fastnar.
8. **Starta inte om kapningen med verktyget kvar i arbetsstycket. Låt kapskivan uppnå full hastighet och för den varsamt in i spåret.** Kapskivan kan fastna, vandra uppåt eller kastas bakåt om elverktyget startas om i arbetsstycket.
9. **Stötta länka eller stora arbetsstycken för att minimera risken för att kapskivan fastnar och kastas bakåt.** Stora arbetsstycken tenderar att svikta på grund av sin egen vikt. Stöd måste placeras under arbetsstycket nära såglinjen och nära arbetsstyckets kanter på båda sidorna om kapskivan.
10. **Var extra försiktig vid genomstickssågning i en befintlig vägg eller andra dolda utrymmen.** Den utskjutande kapskivan kan kapa gas- eller vattenledningar, elledningar eller föremål som kan orsaka bakåtkast.

Ytterligare säkerhetsvarningar:

1. Använd inte en slipande kapskiva. Annars kan brand och/eller överhettning orsaka brännskador.
2. Kapa inte föremål av metall. Annars kan brand och/eller överhettning orsaka brännskador.
3. Innan du använder en segmenterad diamantskiva ska du se till att diamantskivan har en periferispalt på högst 10 mm (3/8"), endast med negativ spänvinkel.
4. Såga aldrig med verktyget upp och ner i ett skruvståd. Detta är ytterst farligt och kan leda till allvarliga olyckor.
5. Vissa material kan innehålla giftiga kemikalier. Se till att du inte andas in damm eller får det på huden. Följ anvisningarna i leverantörens materialsäkerhetsblad.
6. Förvara skivorna enligt tillverkarens rekommendationer. Felaktig förvaring kan skada skivorna.
7. Använd alltid den skiva som lämpar sig för ditt arbete och materialet som ska kapas.
8. Undersök materialet som ska kapas innan du kapar det. Om materialet innehåller explosiva eller brandfarliga ämnen, kan det orsaka explosion eller brand.
9. Sätt inte på verktyget om ett främmande föremål har fastnat mellan skivskyddet och skivan. Avinstallera i så fall batterikassetten och ta bort det främmande föremålet.
10. Använd klämmor eller liknande när det är möjligt för att stödja arbetsstycket.
11. Använd alltid hörselskydd under användning.
12. Kapa inte trämaterial med detta verktyg.
13. Skivans ytterdiameter och tjocklek måste stämma med maskinens märkdata. Skivor med fel storlek kan inte skyddas eller styras korrekt.
14. När du använder verktyget, fatta ett stadigt grepp med båda händerna om maskinen och håll din kropp och arm i en position som gör att du kan stå emot krafterna i ett bakåtkast.
15. Håll händerna och ansiktet borta från den roterande skivan.
16. Justera skivskyddet till ett läge som är lämpligt för arbetsuppgiften.
17. Låt inte verktyget bli blött från vatten, regn, lera och vattenpölar.
18. Lämna inte verktyget obevakat utomhus.
19. När verktyget tas i förvar, undvik då direkt solljus och regn, och förvara det på en plats där det inte blir varmt eller fuktigt.
20. Rengör regelbundet filtret i dammsugaren.

SPARA DESSA ANVISNINGAR.

⚠ VARNING: GLÖM INTE att också fortsättningsvis strikt följa säkerhetsanvisningarna för maskinen även efter att du blivit van att använda den. Vid FELAKTIG HANTERING av maskinen eller om inte säkerhetsanvisningarna i denna bruksanvisning följs kan följden bli allvarliga personskador.

Viktiga säkerhetsanvisningar för batterikassetten

1. Innan batterikassetten används ska alla instruktioner och varningsmärken på (1) batteriladdaren, (2) batteriet och (3) produkten läsas.
2. Montera inte isär eller mixtra med batterikassetten. Det kan leda till brand, överdriven värme eller explosion.
3. Om drifttiden blivit avsevärt kortare ska användningen avbrytas omedelbart. Det kan uppstå överhettning, brännskador och t o m en explosion.
4. Om du får elektrolyt i ögonen ska de sköljas med rent vatten och läkare uppsöks omedelbart. Det finns risk för att synen förloras.
5. Kortslut inte batterikassetten.
 - (1) Rör inte vid polerna med något strömförande material.
 - (2) Undvik att förvara batterikassetten tillsammans med andra metallobjekt som t.ex. spikar, mynt o.s.v.
 - (3) Skydda batteriet mot vatten och regn. En batterikortslutning kan orsaka ett stort strömflöde, överhettning, brand och maskinhaveri.
6. Förvara och använd inte verktyget och batterikassetten på platser där temperaturen kan nå eller överstiga 50 °C.
7. Bränn inte upp batterikassetten även om den är svårt skadad eller helt utsliten. Batterikassetten kan explodera i öppen eld.
8. Spika inte i, krossa, kasta, tappa eller slå batterikassetten mot hårda föremål. Dylka handlingar kan leda till brand, överdriven värme eller explosion.
9. Använd inte ett skadat batteri.
10. De medföljande litiumjonbatterierna är föremål för kraven i gällande lagstiftning för farligt gods.

För kommersiella transporter (av t.ex. tredje parter som speditorsfirmor) måste de särskilda transportkrav som anges på emballaget och etiketter iakttas.

För att förbereda den produkt som ska avsändas krävs att du konsulterar en expert på riskmaterial. Var också uppmärksam på att det i ditt land kan finnas ytterligare föreskrifter att följa.

Tejpa över eller maskera blottade kontakter och packa batteriet på sådant sätt att det inte kan röra sig fritt i förpackningen.
11. När batterikassetten ska kasseras måste den tas bort från maskinen och kasseras på ett säkert sätt. Följ lokala föreskrifter beträffande avfallshantering av batteriet.
12. Använd endast batterierna med de produkter som specificerats av Makita. Att använda batterierna med ej godkända produkter kan leda till brand, överdriven värme, explosion eller utläckande elektrolyt.
13. Om maskinen inte används under en lång tid måste batteriet tas bort från maskinen.

14. Under och efter användning kan batterikassetten bli het vilket kan orsaka brännskador eller lättare brännskador. Var uppmärksam på hur du hanterar varma batterikassetter.
15. Vidrör inte verktygets kontakter direkt efter användning eftersom de kan bli heta och orsaka brännskador.
16. Låt inte flisor, damm eller smuts fastna i kontaktarna, i hål eller spår i batterikassetten. Det kan leda till att verktyget eller batterikassetten värms upp, fattar eld, går sönder eller inte fungerar som de ska, vilket kan orsaka brännskador eller personsador.
17. Såvida inte verktyget stöder arbeten i närheten av högspänningsledningar får batterikassetten inte användas i närheten av en högspänningsledning. Det kan leda till att verktyget eller batterikassetten går sönder eller inte fungerar korrekt.
18. Förvara batteriet utom räckhåll för barn.

SPARA DESSA ANVISNINGAR.

⚠FÖRSIKTIGT: Använda endast äkta Makita-batterier. Användning av oäkta Makita-batterier eller batterier som har manipulerats kan leda till person- och utrustningsskador eller till att batteriet fattar eld. Det upphäver också Makitas garanti för verktyget och laddaren.

Tips för att uppnå batteriets maximala livslängd

1. Ladda batterikassetten innan den är helt urladdad. Stanna alltid maskinen och ladda batterikassetten när du märker att maskinen blir svagare.
2. Ladda aldrig en fulladdad batterikasset. Överladdning förkortar batteriets livslängd.
3. Ladda batterikassetten vid en rumstemperatur på 10 °C - 40 °C. Låt en varm batterikasset svalna innan den laddas.
4. När batterikassetten inte används ska den tas bort från verktyget eller laddaren.
5. Ladda batterikassetten om du inte har använt den på länge (mer än sex månader).

Viktiga säkerhetsanvisningar för den trådlösa enheten

1. Montera inte isär eller manipulera den trådlösa enheten.
2. Förvara den trådlösa enheten utom räckhåll för barn. Om den råkar sväljas, sök omedelbart läkarhjälp.
3. Använd den trådlösa enheten endast ihop med Makita-verktyg.
4. Utsätt inte den trådlösa enheten för regn eller väta förhållanden.
5. Använd inte den trådlösa enheten på platser där temperaturen överstiger 50 °C.
6. Använd inte den trådlösa enheten på platser där medicinska instrument som pacemakers finns i närheten.

7. Använd inte den trådlösa enheten på platser där automatiska enheter finns i närheten. Om de är igång kan automatiska enheter utveckla funktionsstörningar eller fel.
8. Använd inte den trådlösa enheten på platser med hög temperatur eller där det kan skapas statisk elektricitet eller elektriskt brus.
9. Den trådlösa enheten kan alstra elektromagnetiska fält (EMF) men dessa är inte skadliga för användaren.
10. Den trådlösa enheten är ett noggrant instrument. Var försiktig så att du inte råkar tappa den trådlösa enheten eller utsätta den för stötar.
11. Undvik att vidröra den trådlösa enhetens terminal med bara händer eller metallmaterial.
12. Ta alltid bort batteriet på produkten när du installerar den trådlösa enheten på den.
13. När du öppnar skärans lock, undvik då det ställe där damm och vatten kan komma in i skåran. Håll alltid skärans inlopp rent.
14. Sätt alltid in den trådlösa enheten i rätt riktning.
15. Tryck inte för hårt på knappen för trådlös aktivering på den trådlösa enheten, och tryck inte på knappen med ett föremål med vass kant.
16. Stäng alltid skärans lock vid körning.
17. Ta inte bort den trådlösa enheten från skåran medan ström tillförs till verktyget. Att göra det kan orsaka funktionsfel på den trådlösa enheten.
18. Ta inte bort dekalen på den trådlösa enheten.
19. Sätt inte någon dekal på den trådlösa enheten.
20. Lämna inte den trådlösa enheten någonstans där det kan skapas statisk elektricitet eller elektriskt brus.
21. Lämna inte den trådlösa enheten någonstans där den utsätts för hög värme, t.ex. en bil i solen.
22. Lämna inte den trådlösa enheten på ett dammig eller pulvrigt ställe eller någonstans där korrosiv gas kan bildas.
23. Plötsliga temperaturförändringar kan göra den trådlösa enheten daggbestänkt. Använd inte den trådlösa enheten förrän daggen helt har torkat bort.
24. När den trådlösa enheten rengörs, torka den då med en torr mjuk duk. Använd inte tvättbensin, thinner, konduktivt fett eller liknande.
25. När den trådlösa enheten ska tas i förvar, ha den då i det tillhörande fodralet eller en behållare med skydd mot statisk laddning.
26. Sätt inte in några andra enheter än den trådlösa Makita-enheten i skåran på verktyget.
27. Använd inte verktyget om skärans lock är skadat. Det kan komma in vatten, damm och smuts i skåran som orsakar funktionsfel.
28. Dra eller vrid inte skärans lock mer än nödvändigt. Sätt tillbaka locket om det lossnar från verktyget.
29. Ersätt skärans lock om det går förlorat eller skadas.

SPARA DESSA ANVISNINGAR.

BESKRIVNING AV DELAR

► Fig.1

1	Diamantskiva	2	Skivskydd	3	Handtag för skivskydd	4	Dammunstycke
5	Främre handtag	6	Lampa	7	Batterikassett	8	Säkerhetsknapp
9	Lampa för trådlös aktivering	10	Knapp för trådlös aktivering	11	Nedre skydd	12	Hjul
13	Spindellåsknapp	14	Skydd (för kilrem)	15	Klämhållare	16	Handtag
17	Avtryckare	18	Lampknapp	19	Överbelastningsindikator	20	Slangklämma A
21	Slangklämma B	22	Fast nyckel	-	-	-	-

FUNKTIONSBESKRIVNING

⚠ FÖRSIKTIGT: Se alltid till att maskinen är avstängd och batterikassetten borttagen innan du justerar maskinen eller kontrollerar dess funktioner.

Montera eller demontera batterikassetten

⚠ FÖRSIKTIGT: Stäng alltid av maskinen innan du monterar eller tar bort batterikassetten.

⚠ FÖRSIKTIGT: Håll stadigt i maskinen och batterikassetten när du monterar eller tar bort batterikassetten. I annat fall kan det leda till att de glider ur dina händer och orsakar skada på maskinen och batterikassetten samt personskada.

Sätt i batterikassetten genom att rikta in tungan på batterikassetten mot spåret i höljet och skjut den på plats. Tryck in batterikassetten ordentligt tills den låser fast med ett klick. Om du kan se den röda indikatorn som bilden visar är den inte låst ordentligt.

Ta bort batterikassetterna genom att lyfta batterikassetten samtidigt som du trycker ner knappen på kassetten framsida.

► Fig.2: 1. Röd indikator 2. Knapp 3. Batterikassett

⚠ FÖRSIKTIGT: Sätt alltid i batterikassetten helt tills den röda indikatorn inte längre syns. I annat fall kan den oväntat falla ur maskinen och skada dig eller någon annan.

⚠ FÖRSIKTIGT: Montera inte batterikassetten med våld. Om kassetten inte lätt glider på plats är den felinställt.

OBS: Maskinen fungerar inte med endast en batterikassett.

Indikerar kvarvarande batterikapacitet

Tryck på kontrollknappen på batterikassetten för att se kvarvarande batterikapacitet. Indikatorlamporna lyser i ett par sekunder.

► Fig.3: 1. Indikatorlampor 2. Kontrollknapp

Indikatorlampor			Kvarvarande kapacitet
Upplyst	Av	Blinkar	
■ ■ ■ ■			75% till 100%
■ ■ ■ □			50% till 75%
■ ■ □ □			25% till 50%
■ □ □ □			0% till 25%
◐ □ □ □			Ladda batteriet.
■ ■ □ □			Batteriet kan ha skadats.
□ □ ■ ■			

OBS: Beroende på användningsförhållanden och den omgivande temperaturen kan indikationen skilja sig lätt från den faktiska batterikapaciteten.

OBS: Den första (längst till vänster) indikatorlamporna kommer att blinka när batteriskyddssystemet fungerar.

Skyddssystem för maskinen/batteriet

Maskinen är utrustad med ett skyddssystem för maskinen-/batteriet. Detta system bryter automatiskt strömmen till motorn för att förlänga maskinens och batteriets livslängd. Maskinen stoppar automatiskt under användningen om maskinen eller batteriet hamnar i en av följande situationer. Indikatorerna tänds i vissa situationer.

Överbelastningskydd

Om maskinen/batteriet används på ett sätt som gör att det drar onormalt mycket ström kan maskinen stoppa automatiskt. När detta sker stänger du av maskinen och upphör med arbetet som gjorde att den överbelastades. Starta därefter upp maskinen igen.

Överhettningsskydd

När verktyget/batteriet överhettas stoppas verktyget automatiskt och lampan blinkar. Låt i så fall verktyget svalna innan du startar det igen.

Överurladdningsskydd

När batterikapaciteten är låg stoppas verktyget automatiskt och indikatorlampan på batterikassetten blinkar. Om verktyget inte fungerar trots att knapparna fungerar som de ska tar du bort batterierna från verktyget och laddar dem.

Skydd mot andra felorsaker

Skyddssystemet är också utformat för att hantera andra orsaker som skulle kunna skada verktyget, och gör att verktyget kan stanna automatiskt. Om verktyget stannat tillfälligt eller helt slutat fungera utför du följande steg för att åtgärda problemen.

1. Stäng av verktyget och slå sedan på det igen för att starta om det.
2. Ladda upp batteriet/batterierna eller byt ut det/dem mot uppladdade batterier.
3. Låt verktyget och batteriet/batterierna svalna.

Om återställning av skyddssystemet inte leder till någon förbättring, kontakta ditt lokala Makita Service Center.

OBSERVERA: Om verktyget stannar av en orsak som inte är angiven ovan, se avsnittet Felsökning.

Överbelastningsvarning

Om verktyget används med överdriven belastning kommer överbelastningsindikatorn att blinka rött. I den situationen minskar du belastningen på verktyget. Då slutar indikatorn blinka.

► Fig.4: 1. Överbelastningsindikator

Avtryckarens funktion

⚠ VARNING: Innan du sätter i batterikassetten i maskinen ska du kontrollera att avtryckaren fungerar och återgår till läget "OFF" när du släpper den.

⚠ VARNING: Sätt ALDRIG säkerhetsknappens funktion ur spel genom att t.ex. tejpa fast den. I annat fall kan följden bli oavsiktlig aktivering och allvarig personskada.

⚠ VARNING: Använd ALDRIG verktyget om det startar när du trycker in avtryckaren utan att ha tryckt in säkerhetsknappen. En säkerhetsknapp som behöver repareras kan orsaka oavsiktlig aktivering och allvarig personskada. Returnera verktyget till ett Makita-servicecenter för reparation INNAN du fortsätter att använda det.

En säkerhetsknapp förhindrar oavsiktlig aktivering av avtryckaren. Starta verktyget genom att först trycka in säkerhetsknappen och sedan avtryckaren. Släpp avtryckaren för att stanna.

► Fig.5: 1. Avtryckare 2. Säkerhetsknapp

OBSERVERA: Tryck inte in avtryckaren hårt utan att ha tryckt in säkerhetsknappen. Det kan göra att avtryckaren skadas.

Tända lampan

⚠ FÖRSIKTIGT: Titta inte in i ljuset eller direkt i ljuskällan.

Tryck på lampknappen för att tända lampan. Tryck en gång till på lampknappen för att släcka den.

► Fig.6: 1. Lampknapp 2. Lampa

OBS: Lampan slöcknar automatiskt om inte verktyget används på en minut.

Justera skivskyddet

Håll i handtaget för skivskyddet och det till ett läge som är lämpligt för arbetsuppgiften.

► Fig.7: 1. Handtag för skivskydd

Aktiv teknik för avkänning av återkoppling

Verktyget identifierar elektroniskt situationer där skivan riskerar att fastna. I en sådan situation stängs verktyget automatiskt av för att förhindra att spindeln roterar ytterligare (emellertid förhindras inte bakåtkast). För att starta om maskinen stänger du först av den, avlägsnar orsaken till den plötsliga minskningen av rotationshastigheten, och slår sedan på maskinen igen.

Elektronisk broms

Den elektroniska bromsen aktiveras när maskinen stängs av.

Bromsen fungerar inte när strömtillförseln stängs av (t.ex. om batteriet tas ur) med avtryckaren aktiverad.

MONTERING

⚠ FÖRSIKTIGT: Se alltid till att maskinen är avstängd och batterikassetten borttagen innan du underhåller maskinen.

Montera eller demontera diamantskivan

⚠ FÖRSIKTIGT: Använd endast nyckel från Makita för att installera eller ta bort skivan.

⚠ FÖRSIKTIGT: När du installerar skivan ska du se till att busten fästs ordentligt.

⚠ FÖRSIKTIGT: Tryck inte på spindellåsknappen när skivan roterar.

Ta bort skivan genom att trycka på spindellåsknappen och vrida på skivan tills den inte kan rotera. Medan spindellåset är helt låst vrider du sexkantsbulten moturs med den fasta nyckeln. Ta sedan bort sexkantsbulten, flänsen, skivan, ringen och flänsen i ordning.

► Fig.8: 1. Spindellåsknapp 2. Fast nyckel 3. Dra åt 4. Lossa

► Fig.9: 1. Sexkantsbult 2. Fläns 3. Ring 4. Diamantskiva 5. Pål (skivans rotationsriktning)

Installera skivan genom att följa borttagningsproceduren i omvänd ordning.
SE TILL ATT SPÄNNA ÅT SEXKANTSBULTEN ORDENTLIGT.

⚠ FÖRSIKTIGT: Installera alltid skivan så att pilen på den pekar i samma riktning som pilen på skivskyddet. I annat fall roterar skivan bakåt och kan orsaka personsador.

⚠ FÖRSIKTIGT: Använd endast en skiva som är märkt med ett maximalt varvtal som är lika med eller högre än varvtalet som är märkt på verktyget.

OBS: Vid installation av skivan ska du montera flänsarna så att den plana sidan av flänsen är vänd mot skivan, och montera den ring som stämmer överens med skivans innerdiameter.

- **Fig.10:** 1. Sexkantbult 2. Fläns 3. Ring
4. Diamantskiva

Ansluta en dammsugare

OBSERVERA: Stäng alltid locket när du inte ansluter en dammsugare.

Anslut en dammsugare från Makita till verktyget när du vill utföra en ren kapning.

Öppna locket och anslut dammsugarens slang.

- **Fig.11:** 1. Lock 2. Dammunstycke 3. Slang
4. Dammsugare

Du kan ändra vinkeln på dammunstycket enligt figuren.

- **Fig.12**

Slangklämma

OBSERVERA: Ta alltid bort slangklämman från verktyget när den inte används.

OBSERVERA: Öppna eller stäng inte slangklämman för mycket. I annat fall kan slangklämman gå sönder.

En slangklämma kan anslutas för att förenkla hanteringen av dammsugarens slang

1. Fäst slangklämman A eller slangklämman B på slangen.

Typ	Lämplig ytterdiameter på slangen
Slangklämma A	ø 40 mm – ø 46 mm (ø 1-9/16" – ø 1-13/16")
Slangklämma B	ø 35 mm – ø 40 mm (ø 1-3/8" – ø 1-9/16")

- **Fig.13:** 1. Slangklämma A / slangklämma B 2. Slang

2. För in stiften på slangklämman i hålen på klämhallaren.

Se till att de två stiften passar in i hålen.

- **Fig.14:** 1. Stift 2. Hål 3. Klämhallare

3. Ta bort slangklämman genom att följa monteringsförfarandet i omvänd ordning.

Förvaring av fast nyckel

Förvara den fasta nyckeln enligt figuren när den inte används så att du inte förlorar den.

- **Fig.15:** 1. Fast nyckel

ANVÄNDNING

Kontroll av det nedre skyddets funktion

Ta bort batterikassetten.

Dra manuellt tillbaka det nedre skyddet hela vägen och släpp det. Det nedre skyddet fungerar korrekt om:

- den dras tillbaka utan hinder, och
- den automatiskt återgår till det ursprungliga läget.

- **Fig.16:** 1. Nedre skydd

Om det nedre skyddet inte fungerar korrekt ska du kontrollera om damm har ansamlats inuti skivskyddet.

En del damm kan avlägsnas genom att dra det nedre skyddet fram och tillbaka flera gånger.

Om det nedre skyddet inte fungerar korrekt, även efter damm har avlägsnats, ska du lämna in din maskin på service hos ett Makita servicecenter.

Anmärkning om onormalt ljud

OBSERVERA: Använd inte förvrängda eller gamla diamantskivor. Annars kan felfunktion, onormala ljud eller brott uppstå.

Även om diamantskivan är ny och inte är förvrängd kan diamantskivan avge onormala ljud, såsom metallfriktion, när verktyget körs med låg hastighet. Detta är inte ett fel på verktyget. Vissa typer av diamantskivor kan avge onormala ljud när verktyget körs med låg hastighet. Detta beror på att diamantskivan och skivskyddet sitter mycket nära varandra för effektiv dammuppsamling.

Kör verktyget med full hastighet och utför korrekt kapning. Det onormala ljudet minskar.

Kapningsförfarande

⚠ FÖRSIKTIGT: Tryck ned arbetsstycket ordentligt på en stabil bänk eller ett stabilt bord under användning.

⚠ FÖRSIKTIGT: Vrid inte eller tvinga verktyget i någon riktning vid skärningen, eftersom motorn då kan överbelastas eller arbetsstycket gå av.

⚠ FÖRSIKTIGT: Under körning ska du inte ha verktyget högre än axelhöjd.

- **Fig.17**

1. Håll verktyget i ett fast grepp. Fatta tag i handtaget med höger hand och det främre handtaget med vänster hand. För att förebygga elektrisk stöt genom att elkabeln råkar skäras av, ska du alltid hålla i den angivna delen av det främre handtaget enligt figuren.

- **Fig.18:** 1. Del att hålla i

2. Starta verktyget utan att diamantskivan vidrör arbetsstycket och vänta tills diamantskivan uppnår full hastighet.

3. För försiktig i diamantskivan rakt in i arbetsstycket och skjut verktyget mjukt bakåt tills kapningen är klar.

- Håll en rak kaplinje och jämn skjuthastighet.
- Skjut verktyget enligt riktningen på pilen på det nedre skyddet.

Om du flyttar verktyget framåt (om du skjuter verktyget i motsatt riktning mot pilen) minskar effektiviteten på dammuppsamlingen betydligt.

► **Fig.19:** 1. Pil

- Fortsätt att lägga an det nedre skyddet mot arbetsstycket. Om det finns ett mellanrum mellan det nedre skyddet och arbetsstycket kommer damm att läcka och effektiviteten på dammuppsamlingen minskar.

► **Fig.20:** 1. Nedre skydd

OBS: När batterikassetens temperatur är låg kan det hända att verktyget inte arbetar med full kapacitet. Använd då förslagsvis verktyget för ett lätt skärningarbete ett tag tills batterikasseten värmts upp så pass mycket som till rumstemperatur. Därefter kan verktyget arbeta med full kapacitet igen.

OBS: Om diamantskivans skärförmåga börjar avta slipar du kanten på diamantskivan med en gammal, kasserad slipskiva som är grovkornig från bänkslipmaskin eller ett betongblock. Slipa genom att lätt trycka på ytterkanten av diamantskivan.

FUNKTION FÖR TRÅDLÖS AKTIVERING

Extra tillbehör

OBSERVERA: Installera det valfria dammskyddet och tillbehören innan du använder denna funktion.

Vad du kan göra med funktionen för trådlös aktivering

Funktionen för trådlös aktivering möjliggör en ren och bekväm körning. Genom att ansluta en dammsugare som stöds till verktyget, kan du göra så att dammsugaren automatiskt körs samtidigt som du använder verktygets knappfunktion.

► **Fig.21**

Gör i ordning följande artiklar för att använda funktionen för trådlös aktivering:

- En trådlös enhet (valfritt tillbehör)
- En dammsugare som har stöd för funktionen för trådlös aktivering

Översikten över inställningen av funktionen för trådlös aktivering är följande. Se detaljerade rutiner i varje avsnitt.

1. Installera den trådlösa enheten
2. Verktygsregistrering för dammsugaren
3. Starta funktionen för trådlös aktivering

Installera den trådlösa enheten

Valfria tillbehör

▲ FÖRSIKTIGT: Placera verktyget på en platt och stabil yta när den trådlösa enheten installeras.

OBSERVERA: Rensa bort damm och smuts från verktyget innan den trådlösa enheten installeras. Damm eller smuts kan orsaka funktionsfel om det kommer in i skåran på den trådlösa enheten.

OBSERVERA: För att förebygga funktionsfel till följd av statisk laddning vidrör du ett statiskt urladdande material, t.ex. en metalldel på verktyget, innan du plockar upp den trådlösa enheten.

OBSERVERA: Se alltid till när du installerar den trådlösa enheten att den är insatt i rätt riktning och att locket är helt stängt.

1. Öppna locket på verktyget enligt figuren.

► **Fig.22:** 1. Lucka

2. Sätt in den trådlösa enheten i skåran och stäng sedan locket.

När du sätter in den trådlösa enheten, passa då in de utskjutande delarna med de insänkta delarna i skåran.

► **Fig.23:** 1. Trådlös enhet 2. Utskjutande del 3. Lucka 4. Insänkt del

Öppna locket långsamt när du tar bort den trådlösa enheten. Krokarna på lockets baksida lyfter den trådlösa enheten när du drar upp locket.

► **Fig.24:** 1. Trådlös enhet 2. Krok 3. Lucka

När den trådlösa enheten tagits bort, ha den då i det tillhörande fodralet eller en behållare med skydd mot statisk laddning.

OBSERVERA: Använd alltid krokarna på lockets baksida när du tar bort den trådlösa enheten. Om krokarna inte fångar upp den trådlösa enheten, stänger du locket helt och öppnar det långsamt igen.

Verktygsregistrering för dammsugaren

OBS: För verktygsregistreringen krävs en Makita-dammsugare som har stöd för den trådlösa aktiveringsfunktionen.

OBS: Avsluta installationen av den trådlösa enheten till verktyget innan du inleder verktygsregistreringen.

OBS: Använd inte avtryckaren under verktygsregistreringen och vrid inte på strömbrytaren på dammsugaren.

OBS: Se också bruksanvisningen för dammsugaren.

Om du vill aktivera dammsugaren tillsammans med verktygets knappfunktion, ska du slutföra verktygsregistreringen i förväg.

1. Installera batterierna till dammsugaren och verktyget.
2. Sätt dammsugarens stand-by-omkopplare på "AUTO".

► **Fig.25:** 1. Stand-by-omkopplare

3. Tryck på knappen för trådlös aktivering på dammsugaren i 3 sekunder tills lampan för trådlös aktivering blinkar grönt. Tryck sedan på knappen för trådlös aktivering på verktyget på samma sätt.

► **Fig.26:** 1. Knapp för trådlös aktivering 2. Lampa för trådlös aktivering

Om dammsugaren och verktyget har kopplats ihop ordentligt, kommer lamporna för trådlös aktivering att lysa grönt i 2 sekunder och börja blinka i blått.

OBS: Lamporna för trådlös aktivering slutar blinka grönt efter att 20 sekunder har gått. Tryck på knappen för trådlös aktivering på maskinen när lampan för trådlös aktivering på dammsugaren blinkar. Om lampan för trådlös aktivering inte blinkar grönt, trycker du kort på knappen för trådlös aktivering och håller in den igen.

OBS: När du utför två eller flera verktygsregistreringar för en dammsugare avslutar du verktygsregistreringarna en och en.

Starta funktionen för trådlös aktivering

OBS: Avsluta verktygsregistreringen för dammsugaren före den trådlösa aktiveringen.

OBS: Se också bruksanvisningen för dammsugaren.

Efter att ett verktyg registrerats till dammsugaren kommer den att köras automatiskt tillsammans med verktygets knappfunktion.

1. Installera den trådlösa enheten till verktyget.

2. Anslut dammsugarslangens till verktyget.

► **Fig.27**

3. Sätt dammsugarens stand-by-omkopplare på "AUTO".

► **Fig.28:** 1. Stand-by-omkopplare

4. Tryck kort på knappen för trådlös aktivering på verktyget. Lampan för trådlös aktivering blinkar blått.

► **Fig.29:** 1. Knapp för trådlös aktivering 2. Lampa för trådlös aktivering

5. Slå på verktyget. Kontrollera att dammsugaren är igång när verktyget används.

För att stoppa den trådlösa aktiveringen av dammsugaren trycker du på knappen för trådlös aktivering på verktyget.

OBS: Lampan för trådlös aktivering på verktyget slutar blinka blått när ingen användning har skett på 2 timmar. Sätt i så fall standby-omkopplaren på dammsugaren på "AUTO" och tryck igen på knappen för trådlös aktivering på verktyget.

OBS: Dammsugaren startar/stannar med en fördröjning. Det blir en tidsfördröjning när dammsugaren känner av en knappfunktion från verktyget.










OBS: Sändningsavståndet till den trådlösa enheten kan variera beroende på plats och omständigheter i omgivningen.

OBS: När två eller flera verktyg är registrerade till en dammsugare, kan dammsugaren gå igång även om du inte slår på verktyget eftersom en annan användare använder funktionen för trådlös aktivering.

Beskrivning av status för lampor för trådlös aktivering

► **Fig.30:** 1. Lampa för trådlös aktivering

Lamporna för trådlös aktivering visar status för den trådlösa aktiveringsfunktionen. Se innebörden av lampans status i tabellen nedan.

Status	Lampa för trådlös aktivering				Beskrivning
	Färg	 På	 Blinkar	Varaktighetstid	
Standby	Blå		2 timmar	Den trådlösa aktiveringen av dammsugaren är tillgänglig. Lampan släcks automatiskt när ingen användning har ägt rum på 2 timmar.	
			När verktyget är igång.	Den trådlösa aktiveringen av dammsugaren är tillgänglig och verktyget är igång.	
Verktysregistrering	Grön		20 sekunder	Redo för verktysregistrering. Väntar på registrering från dammsugaren.	
			2 sekunder	Verktysregistreringen har avslutats. Lampan för trådlös aktivering börjar blinka blått.	
Upphäver verktysregistrering	Röd		20 sekunder	Redo för att upphäva verktysregistreringen. Väntar på upphävande från dammsugaren.	
			2 sekunder	Upphävandet av verktysregistreringen har avslutats. Lampan för trådlös aktivering börjar blinka blått.	
Övriga	Röd		3 sekunder	Ström tillförs till den trådlösa enheten och funktionen för trådlös aktivering startar.	
	Av	-	-	Den trådlösa aktiveringen av dammsugaren stoppas.	

Upphäver verktysregistrering för dammsugaren

Utför följande rutin vid upphävande av verktysregistreringen för dammsugaren.

1. Installera batterierna till dammsugaren och verktyget.
2. Sätt dammsugarens stand-by-omkopplare på "AUTO".

► **Fig.31:** 1. Stand-by-omkopplare

3. Tryck på knappen för trådlös aktivering på dammsugaren i 6 sekunder. Lampan för trådlös aktivering blinkar grönt och blir sedan röd. Tryck sedan på knappen för trådlös aktivering på verktyget på samma sätt.

► **Fig.32:** 1. Knapp för trådlös aktivering 2. Lampa för trådlös aktivering

Om upphävandet har utförts ordentligt, kommer lamporna för trådlös aktivering att lysa rött i 2 sekunder och börja blinka i blått.

OBS: Lamporna för trådlös aktivering slutar blinka rött efter att 20 sekunder har gått. Tryck på knappen för trådlös aktivering på maskinen när lampan för trådlös aktivering på dammsugaren blinkar. Om lampan för trådlös aktivering inte blinkar rött, trycker du kort på knappen för trådlös aktivering och håller in den igen.

Felsökning för funktionen för trådlös aktivering

Innan du ber om reparation ska du först utföra en egen kontroll. Om du hittar ett problem som inte finns förklarat i bruksanvisningen ska du inte försöka att ta isär maskinen. Fråga istället ett auktoriserad servicecenter för Makita, och använd alltid reservdelar från Makita för reparationer.

Feltillstånd	Trolig orsak (felsfunktion)	Åtgärd
Lampan för trådlös aktivering lyser/ blinker inte.	Den trådlösa enheten är inte installerad till verktyget. Den trådlösa enheten är felaktigt installerad till verktyget.	Installera den trådlösa enheten korrekt.
	Den trådlösa enhetens kontakt och/eller skåran är smutsig.	Torka försiktigt av damm och smuts på den trådlösa enhetens kontakt och rengör skåran.
	Knappen för trådlös aktivering på verktyget har inte tryckts.	Tryck kort på knappen för trådlös aktivering på verktyget.
	Stand-by-omkopplaren på dammsugaren är inte satt på "AUTO".	Sätt dammsugarens stand-by-omkopplare på "AUTO".
	Ingen strömtillförsel	Koppla in ström till verktyget och dammsugaren.
Kan inte avsluta verktygsregistrering/ upphäva verktygsregistrering.	Den trådlösa enheten är inte installerad till verktyget. Den trådlösa enheten är felaktigt installerad till verktyget.	Installera den trådlösa enheten korrekt.
	Den trådlösa enhetens kontakt och/eller skåran är smutsig.	Torka försiktigt av damm och smuts på den trådlösa enhetens kontakt och rengör skåran.
	Stand-by-omkopplaren på dammsugaren är inte satt på "AUTO".	Sätt dammsugarens stand-by-omkopplare på "AUTO".
	Ingen strömtillförsel	Koppla in ström till verktyget och dammsugaren.
	Felaktig funktion	Tryck kort på knappen för trådlös aktivering och utför rutinerna för verktygsregistrering/-upphävande igen.
	Verktyget och dammsugaren är åtskilda från varandra (utanför sändningsområdet).	Se till att verktyget och dammsugaren hamnar närmare varandra. Det maximala sändningsavståndet är ca 10 m, men det kan variera beroende på omständigheterna.
	Innan verktygsregistreringen/-upphävandet avslutas: - verktygets omkopplare har slagits på, - strömknappen på dammsugaren har slagits på.	Tryck kort på knappen för trådlös aktivering och utför rutinerna för verktygsregistrering/-upphävande igen.
	Verktygsregistreringsrutinerna för verktyget eller dammsugaren har inte slutförts.	Utför verktygsregistreringsrutinerna för både verktyget och dammsugaren på samma gång.
	Radiostörningar från andra apparater som skapar högtintensiva radiovågor.	Håll verktyget och dammsugaren borta från apparater som WiFi-enheter och mikrovågsugnar.
	Dammsugaren är inte igång samtidigt som verktygets knappfunktion.	Den trådlösa enheten är inte installerad till verktyget. Den trådlösa enheten är felaktigt installerad till verktyget.
Den trådlösa enhetens kontakt och/eller skåran är smutsig.		Torka försiktigt av damm och smuts på den trådlösa enhetens kontakt och rengör skåran.
Knappen för trådlös aktivering på verktyget har inte tryckts.		Tryck kort på knappen för trådlös aktivering och försäkra dig om att lampan för trådlös aktivering blinkar blått.
Stand-by-omkopplaren på dammsugaren är inte satt på "AUTO".		Sätt dammsugarens stand-by-omkopplare på "AUTO".
Fler än 10 verktyg är registrerade till dammsugaren.		Utför verktygsregistreringen igen. Om fler än 10 verktyg är registrerade till dammsugaren, blir det verktyg som registrerades tidigast automatiskt upphävt.
Dammsugaren har raderat alla verktygsregistreringar.		Utför verktygsregistreringen igen.
Ingen strömtillförsel		Koppla in ström till verktyget och dammsugaren.
Verktyget och dammsugaren är åtskilda från varandra (utanför sändningsområdet).		Se till att verktyget och dammsugaren hamnar närmare varandra. Det maximala sändningsavståndet är ca 10 m, men det kan variera beroende på omständigheterna.
Radiostörningar från andra apparater som skapar högtintensiva radiovågor.		Håll verktyget och dammsugaren borta från apparater som WiFi-enheter och mikrovågsugnar.
Dammsugaren är igång när verktyget inte används.		Andra användare använder den trådlösa aktiveringen av dammsugaren med sina verktyg.

UNDERHÅLL

⚠ FÖRSIKTIGT: Se alltid till att maskinen är avstängd och batterikassetten borttagen innan inspektion eller underhåll utförs.

OBSERVERA: Använd inte bensin, förtunningsmedel, alkohol eller liknande. Missfärgning, deformation eller sprickor kan uppstå.

För att upprätthålla produktens SÄKERHET och TILLFÖRLITLIGHET bör allt underhålls- och justeringsarbete utföras av ett auktoriserat Makita servicecenter och med reservdelar från Makita.

Rengöra verktyget

OBSERVERA: Rengör inte verktyget med vatten.

Efter varje användning ska du ta bort batterikassetten och skivan och därefter rensa bort damm och smuts som ansamlats inuti skivskyddet. Rengör verktygs-kroppen genom att torka av damm och smuts med en torr trasa, eller en urvriden trasa fuktad med såpvatten. Använd en torr trasa för att torka bort smuts från lampglaslet. Var försiktig så att inte lampglaslet repas efter-som ljuset då kan bli svagare.

► **Fig.33:** 1. Skivskydd 2. Lampglas

Rengöra ventilationsöppningen

Rengör verktygets ventilationsöppningar regelbundet eller så snart ventilationen försämras.

► **Fig.34:** 1. Luftventil

Utbyte av synkroniseringsremmen

1. Ta bort batterikassetterna och skivan.
2. Lossa insexbultarna med spetsen på den fasta nyckeln och ta sedan bort skyddet.
► **Fig.35:** 1. Fast nyckel 2. Insexbult 3. Skydd
3. Tryck in spindellåsknappen och håll den intryckt för att låsa det stora drivhjulet, vrid sedan muttern moturs med den smala änden av den fasta nyckeln.
► **Fig.36:** 1. Stort drivhjul 2. Spindellåsknapp
4. Tryck in spindellåsknappen och håll den intryckt för att låsa det stora drivhjulet, vrid sedan den lilla skivan moturs med den tjocka änden av den fasta nyckeln för att lossa synkroniseringsremmen.
► **Fig.37:** 1. Spindellåsknapp 2. Stort drivhjul 3. Liten skiva
5. Ta bort remmen.
6. Se till att spåren på remmen är vända inåt och sätt fast ena änden av remmen på det lilla drivhjulet, sätt sedan fast den andra änden av remmen på det stora drivhjulet.
► **Fig.38:** 1. Rem 2. Stort drivhjul 3. Litet drivhjul

7. Tryck in spindellåsknappen och håll den intryckt för att låsa det stora drivhjulet, vrid sedan den lilla skivan medurs med den tjocka änden av den fasta nyckeln för att dra åt remmen.

► **Fig.39:** 1. Spindellåsknapp 2. Stort drivhjul

OBS: Se till att den lilla skivan är i läget som visas i figuren.

► **Fig.40:** 1. Liten skiva

8. Tryck in spindellåsknappen och håll den intryckt för att låsa det stora drivhjulet, vrid sedan muttern medurs med den smala änden av den fasta nyckeln.

► **Fig.41:** 1. Spindellåsknapp

OBS: Applicera ett åtdragningsmoment på 19 - 21 N•m när du drar åt muttern.

9. Sätt tillbaka skyddet och dra sedan åt insexbultarna med spetsen på den fasta nyckeln.

► **Fig.42:** 1. Fast nyckel 2. Insexbult 3. Skydd

FELSÖKNING

Innan du ber om reparation ska du först utföra en egen kontroll. Om du hittar ett problem som inte finns förklarat i bruksanvisningen ska du inte försöka att ta isär maskinen. Fråga istället ett auktoriserad servicecenter för Makita, och använd alltid reservdelar från Makita för reparationer.

Feltillstånd	Trolig orsak (felfunktion)	Åtgärd
Motorn går inte.	Batterikassetterna är inte installerade.	Installera två batterikassetter. Detta verktyg fungerar inte med en batterikassett.
	Batteriproblem (underspänning)	Ladda om batteriet. Om laddning inte hjälper byter du ut batterikassetten.
	Drivsystemet fungerar inte som det ska.	Lämna in till ditt lokala auktoriserade servicecenter för reparation.
Motorn stannar efter en kort stunds användning.	Batterinivån är låg.	Ladda om batteriet. Om laddning inte hjälper byter du ut batterikassetten.
	Överhettning.	Sluta använda maskinen och låt den svalna.
Skivrotationen accelererar inte ordentligt ens efter att verktyget körts utan belastning i 20 sekunder.	Batteriet är felaktigt isatt.	Sätt i batterikassetterna enligt anvisningarna i denna bruksanvisning.
	Batterinivån sjunker.	Ladda batterikassetterna på nytt. Om uppladdningen inte hjälper, byt ut batterikassetten.
	Synkroniseringsremmen slirar.	Byt ut synkroniseringsremmen mot en ny.
	Drivsystemet fungerar inte som det ska.	Lämna in till ditt lokala auktoriserade servicecenter för reparation.
Skivan roterar inte: ⇒ Stoppa maskinen omedelbart!	Synkroniseringsremmen slirar.	Byt ut synkroniseringsremmen mot en ny.
	Främmande föremål har fastnat mellan skivskyddet och skivan.	Ta ut batterikassetterna och ta sedan bort det främmande föremålet.
	Drivsystemet fungerar inte som det ska.	Lämna in till ditt lokala auktoriserade servicecenter för reparation.
Onormal vibration: ⇒ Stoppa maskinen omedelbart!	Felaktig fastsättning av skivan.	Installera skivan enligt anvisningarna i denna bruksanvisning. Dra åt bulnen för att låsa fast skivan ordentligt.
	Drivsystemet fungerar inte som det ska.	Lämna in till ditt lokala auktoriserade servicecenter för reparation.
Trimmerverktyget och motorn stannar inte: ⇒ Ta bort batterikassetten genast!	Elektriska eller elektroniska fel.	Ta bort batterikassetterna och lämna in till ditt lokala auktoriserade servicecenter för reparation.
Dåligt kapresultat	Det är dags att byta skivan.	Byt ut skivan mot en ny.
Svag sugkraft i dammsugaren.	Filteret i dammsugaren är igensatt.	Rengör filteret. Byt ut filteret om rengöringen av filteret inte åtgärdar problemet.
Det nedre skyddet fungerar inte korrekt.	Damm har ansamlats inuti skivskyddet.	Dra det nedre skyddet fram och tillbaka flera gånger.

VALFRIA TILLBEHÖR

⚠ FÖRSIKTIGT: Följande tillbehör eller tillsatser rekommenderas för användning med den Makita-maskin som denna bruksanvisning avser. Om andra tillbehör eller tillsatser används kan det uppstå risk för personskador. Använd endast tillbehören eller tillsatserna för de syften de är avsedda för.

Kontakta ditt lokala Makita servicecenter om du behöver ytterligare information om dessa tillbehör.

- Diamantskiva
- Ringsats
- Synkroniseringsrem
- Fast nyckel
- Trådlös enhet

- Makitas originalbatteri och -laddare

OBS: Några av tillbehören i listan kan vara inkluderade i maskinpaketet som standardtillbehör. De kan variera mellan olika länder.

TEKNISKE DATA

Modell:	CE002G
Skivediameter	350–355 mm
Maks. skivetykkelse	4,0 mm
Maks. skjæredybde	127 mm
Nominell hastighet	4 200 min ⁻¹
Nominell spenning	DC 72 V - 80 V maks
Anbefalt luftvolum for støvsugeren	Likt eller større enn 1,8 m ³ /min
Total lengde	825 mm
Nettovekt	13,1-15,1 kg

- På grunn av vårt kontinuerlige forsknings- og utviklingsprogram kan spesifikasjonene som oppgis i dette dokumentet endres uten varsel.
- Spesifikasjonene kan variere fra land til land.
- Vekten kan variere avhengig av tilbehøret/tilbehørene, inkludert batteriet. Den letteste og tyngste kombinasjonen, i henhold til EPTA-prosedyre 01/2014, vises i tabellen.

Passende batteri og lader

Batteriinnsats	BL4040 / BL4050F* / BL4080F* * : Anbefalt batteri
Lader	DC40RA / DC40RB / DC40RC

- Noen av batteriene og laderne som er opplistet ovenfor er kanskje ikke tilgjengelige, avhengig av hvor du bor.

⚠ADVARSEL: Bruk kun de batteriene og laderne som er opplistet ovenfor. Bruk av andre batterier og ladere kan føre til personskader og/eller brann.

Symboler

Nedenfor ser du symbolene som kan brukes for dette utstyret. Forviss deg om at du forstår hva de betyr, før du begynner å bruke maskinen.

	Les bruksanvisningen.
	Bruk vernebriller.
	Ikke bruk kappeskive med slipeeffekt. Bare diamantskive kan brukes.
	Ikke skjær metall.
	Ikke fyll med vann.



Kun for EU-land

På grunn av forekomst av farlige komponenter i utstyret, kan avfall fra elektrisk og elektronisk utstyr, akkumulatorer og batterier ha en negativ innvirkning på miljøet og menneskers helse.

Ikke kast elektriske og elektroniske apparater eller batterier sammen med husholdningsavfall!

I samsvar med det europeiske direktivet om avfall fra elektrisk og elektronisk utstyr og om akkumulatorer og batterier samt akkumulatorer og batterier som skal kastes, samt deres tilpasning til nasjonal lovgivning, skal brukt elektrisk utstyr samt brukte batterier og akkumulatorer samles inn separat og leveres til et eget innsamlingssted for kommunalt avfall, som driver virksomhet i samsvar med miljøvernforordningen.

Dette er angis av symbolet med den overkryssede avfallsbeholderen som er plassert på utstyret.

Riktig bruk

Dette verktøyet er beregnet på skjæring i murverk med en diamantskive.

Typisk A-vektet lydtrykknivå er bestemt i henhold til EN60745-2-22:

Lydtrykknivå (L_{pA}) : 106 dB (A)

Lydeffektnivå (L_{WA}) : 117 dB (A)

Usikkerhet (K): 3 dB (A)

MERK: Den/de oppgitte verdien(e) for genererte vibrasjoner har blitt målt i henhold til standard testmetoder, og kan bli brukt til å sammenligne ett verktøy med et annet.

MERK: Den/de angitte verdien(e) for de genererte vibrasjonene kan også brukes til en foreløpig vurdering av eksponeringen.

⚠ ADVARSEL: Bruk hørselsvern.

⚠ ADVARSEL: De genererte vibrasjonene ved faktisk bruk av elektroverktøyet kan avvike fra den/de angitte vibrasjonsverdien(e), avhengig av hvordan verktøyet brukes.

⚠ ADVARSEL: Sørg for å identifisere vernetiltak for å beskytte operatøren, som er basert på et estimat av eksponeringen under de faktiske bruksforholdene (idet det tas hensyn til alle deler av driftssyklusen, dvs. hvor lenge verktøyet er slått av, hvor lenge det går på tomgang og hvor lenge startbryteren faktisk holdes trykket).

Vibrasjoner

Arbeidsmodus: Kapping av betong

Venstre hånd		Høyre hånd		Gjeldende standard
$a_{h,w}$ (m/s^2)	Usikkerhet K (m/s^2)	$a_{h,w}$ (m/s^2)	Usikkerhet K (m/s^2)	
$\leq 2,5$	1,5	$\leq 2,5$	1,5	EN60745-2-22

MERK: Den/de oppgitte verdien(e) for totalt genererte vibrasjoner har blitt målt i henhold til standard testmetoder, og kan bli brukt til å sammenligne ett verktøy med et annet.

MERK: Den/de angitte verdien(e) for totalt genererte vibrasjoner kan også brukes til en foreløpig vurdering av eksponeringen.

⚠ ADVARSEL: De genererte vibrasjonene ved faktisk bruk av elektroverktøyet kan avvike fra den/de angitte vibrasjonsverdien(e), avhengig av hvordan verktøyet brukes og spesielt i forhold til arbeidsstykket som blir behandlet.

⚠ ADVARSEL: Sørg for å identifisere vernetiltak for å beskytte operatøren, som er basert på et estimat av eksponeringen under de faktiske bruksforholdene (idet det tas hensyn til alle deler av driftssyklusen, dvs. hvor lenge verktøyet er slått av, hvor lenge det går på tomgang og hvor lenge startbryteren faktisk holdes trykket).

Samsvarserklæringer

Gjelder kun for land i Europa

Samsvarserklæringerne er lagt til som vedlegg A i denne bruksanvisningen.

SIKKERHETSADVARSEL

Generelle advarsler angående sikkerhet for elektroverktøy

⚠ ADVARSEL Les alle sikkerhetsadvarsler, instruksjoner, illustrasjoner og spesifikasjoner som følger med dette elektroverktøyet. Hvis ikke alle instruksjonene nedenfor følges, kan det føre til elektrisk støt, brann og/eller alvorlig personskade.

Oppbevar alle advarsler og instruksjoner for senere bruk.

Uttrykket «elektrisk verktøy» i advarslene refererer både til elektriske verktøy (med ledning) tilkoblet strømmenettet, og batteridrevne verktøy (uten ledning).

Sikkerhetsadvarsler for batteridrevet kappsag

Sikkerhetsadvarsler for kappemaskin

- Den medfølgende verktøybeskyttelsen må festes skikkelig på det elektriske verktøyet og plasseres for maksimal sikkerhet, slik at en så liten del som mulig av skiven er eksponert mot operatøren. Still deg selv og andre vekk fra den roterende skivens plan. Vernet bidrar til å beskytte brukeren mot brukne skivefragmenter og utilsiktet kontakt med skiven.
- Bruk bare diamantkappeskiver med dette elektriske verktøyet. Selv om et tilbehør kan monteres på verktøyet, betyr ikke dette at det er trygt å bruke.
- Angitt hastighet for tilbehøret må være minst like høy som største angitte hastighet på elektroverktøyet. Tilbehør som kjøres med større hastighet enn det som er angitt, kan gå i stykker og slynges ut.
- Skiver skal bare brukes til anbefalte bruksområder. For eksempel: Ikke slip med siden av en kappeskive. Kappeskiver er bare beregnet for periferisk sliping. Sidekrefter mot disse skivene kan knuse dem.

5. **Bruk alltid uskadede skiveflensere med riktig diameter for skiven som er valgt.** Riktige skiveflensere støtter skiven og reduserer muligheten for skivebrudd.
6. **Den ytre diameteren og tykkelsen på tilbehøret må ligge innenfor den angitte kapasiteten for elektroverktøyet.** Tilbehør i feil størrelse kan ikke sikres eller kontrolleres fullgodt.
7. **Aksetørrelsen på skiver og flensere må være riktig tilpasset spindelen på verktøyet.** Skiver og flensere med aksehull som ikke korresponderer med monteringsmekanismen på verktøyet, vil komme ut av balanse, vibrere kraftig og kanskje føre til tap av kontroll.
8. **Ikke bruk skiver som er skadet. Undersøk skivene med hensyn til skår og sprekker før hver bruk.** Hvis elektroverktøyet eller skiven faller i bakken, må du undersøke om det oppstår skade eller montere en uskadd skive. Etter at skiven er undersøkt og montert, må du plassere deg selv og andre utenfor skivens rotasjonsplan og kjøre verktøyet på maksimal hastighet uten belastning i ett minutt. Skiver som er skadet, vil vanligvis gå i stykker i løpet av denne testen.
9. **Bruk personlig verneutstyr. Avhengig av bruksområdet, må du bruke visir eller vernebriller. Der det er aktuelt, må du bruke støvmaske, hørselvern, hansker og forkle som kan stoppe små slipefragmenter eller deler fra arbeidsemnet.** Øyevernet må kunne stoppe flygende biter som oppstår under ulike operasjoner. Støvmasken eller åndedrettsvernet må kunne filtrere ut partikler som oppstår under arbeidet. Kraftig lyd over lengre tid kan forårsake redusert hørsel.
10. **Hold andre på trygg avstand fra arbeidsområdet. Alle som beveger seg inn i arbeidsområdet må bruke personlig verneutstyr.** Fragmenter fra arbeidsemnet eller en skadet skive kan fly av sted og forårsake personskade utenfor det umiddelbare bruksstedet.
11. **Hold maskinen kun i det isolerte håndtaket når kuttetilbehøret kan komme i kontakt med skjulte ledninger under arbeidet.** Hvis kutteutstyret kommer i kontakt med «strømførende» ledninger, kan ikke isolerte metalldele i maskinen bli «strømførende» og kunne gi brukeren elektrisk støt.
12. **Ikke legg ned elektroverktøyet før tilbehøret har stoppet helt.** Den roterende skiven kan ta tak i underlaget og trekke verktøyet utenfor din kontroll.
13. **Ikke kjør elektroverktøyet når du bærer det langs siden.** Utilsiktet kontakt med roterende tilbehør kan føre til at det fester i klærne og trekkes inn mot kroppen.
14. **Rengjør verktøyet luftventiler regelmessig.** Motorens vifte trekker støv inn i verktøyhuset og mye oppsamlet metallstøv kan medføre elektrisk fare.
15. **Ikke bruk elektroverktøyet nær brennbare materialer.** Gnister kan antenne slike materialer.
16. **Ikke bruk tilbehør som krever kjølevæske.** Bruk av vann eller andre kjølevæsker kan føre til elektrisk støt.

Tilbakeslag og relaterte advarsler

Tilbakeslag er en plutselig reaksjon på en roterende skive som er klemt eller heftet fast. Fastklemming eller hekking gjør at den roterende skiven plutselig stopper, noe som i sin tur gjør at det ukontrollerbare elektroverktøyet kastes i motsatt retning av skivens rotasjonsretning ved fastklemmingspunktet.

Hvis for eksempel en skive hektes fast i eller kommer i klem i arbeidsstykket, kan kanten på skiven som er i klempunktet, grave seg inn i materiaflaten slik at skiven klatrer ut eller slås ut. Skiven kan enten sprette mot eller vekk fra operatøren, avhengig av rotasjonsretningen på skiven når den klemmes fast. Skiven kan også gå i stykker under slike forhold.

Tilbakeslag er et resultat av at elektroverktøyet misbrukes og/eller brukes på feil måte eller under feil forhold, og kan unngås ved å ta de nødvendige forholdsreglene som beskrives under.

1. **Hold godt fast i verktøyet og plasser kroppen og armen din slik at du kan motstå kreftene i et tilbakeslag. Bruk alltid hjelpehåndtak når det følger med, for å få best mulig kontroll over tilbakeslag eller dreiemomentreaksjonen ved oppstart.** Operatøren kan kontrollere dreiemomentreaksjonen eller tilbakeslagskreftene hvis de riktige forholdsreglene tas.
2. **Plasser aldri hånden nær det roterende tilbehøret.** Tilbehøret kan slå tilbake over hånden.
3. **Ikke plasser kroppen på linje med den roterende skiven.** Tilbakeslag gjør at verktøyet slås i motsatt retning av skivens bevegelse når den blir sittende fast.
4. **Vær spesielt forsiktig under arbeid med hjørner, skarpe kanter osv. Unngå å la tilbehøret sprette eller hugge.** Hjørner, skarpe kanter eller støt har en tendens til å klemme fast det roterende tilbehøret og forårsake tap av kontrollen eller tilbakeslag.
5. **Ikke monter et sagkjede, blad for treskjærer, segmentert diamantskive med periferisk avstand over 10 mm (3/8") eller tannet sagblad.** Slike blader gir ofte tilbakeslag og mangel på kontroll.
6. **Ikke «klem fast» skiven eller legg sterkt press på den. Ikke forsøk å kutte svært dypt.** For mye press på skiven øker belastningen og sjansen for at skiven visir eller setter seg fast under kutting, samt at det øker sjansen for tilbakeslag eller at skiven blir ødelagt.
7. **Når skiven fastklemmes eller du ønsker å avbryte kappingen, må du slå av verktøyet og holde det i ro til skiven har stoppet helt. Forsøk aldri å fjerne skiven fra kuttet mens den er i bevegelse, da dette kan forårsake tilbakeslag.** Undersøk årsaken til at skiven setter seg fast, og rett opp feilen.
8. **Ikke start kappingen på nytt mens skiven står i arbeidsemnet. La skiven nå full hastighet, og før den så ned i kuttet på nytt.** Skiven kan sette seg fast, bli trukket oppover eller gi tilbakeslag hvis det elektriske verktøyet startes på nytt i arbeidsemnet.
9. **Støtt opp plater eller store arbeidsemner for å minimere muligheten for fastklemming eller tilbakeslag.** Store arbeidsemner har en tendens til å synke under sin egen vekt. Det må plasseres støtter under arbeidsemnet nært kuttlinjen og nært kanten på arbeidsemnet på begge sider av skiven.

10. Vær ekstra forsiktig når du lager «hull» i eksisterende vegger eller andre områder uten innsyn. Skiven som stikker ut, kan kutte gass- eller vannrør, elektriske ledninger eller objekter som kan forårsake tilbakeslag.

Ekstra sikkerhetsadvarsler:

1. Ikke bruk kappeskive med slipeeffekt. Brann og/eller overdreven oppvarming kan føre til brannskader.
2. Ikke skjær i metallgjenstander. Brann og/eller overdreven oppvarming kan føre til brannskader.
3. Før bruk av en segmentert diamantskive, må du kontrollere at diamantskiven har en perifer åpning på mindre enn 10 mm (3/8") mellom segmentene, og kun med en negativ flisvinkel.
4. Forsøk aldri å skjære mens maskinen holdes opp ned i en skrustikke. Dette er ekstremt farlig og kan forårsake alvorlige ulykker.
5. Enkelte materialer inneholder kjemikalier som kan være giftige. Treff tiltak for å hindre hudkontakt og innånding av støv. Følg leverandørens sikkerhetsanvisninger.
6. Oppbevar skivene i henhold til produsentens anbefalinger. Hvis skivene oppbevares på feil måte, kan de bli skadet.
7. Bruk alltid skiven som er egnet for arbeidet du skal utføre og materialet som skal skjæres.
8. Undersøk materialet som skal skjæres før du skjærer det. Hvis materialet inneholder eksplosive eller brennbare stoffer, kan det forårsake eksplosjon eller brann.
9. Ikke slå på verktøyet hvis et fremmedlegeme er kilt fast mellom skivedekselet og skiven. I slike tilfeller tar du ut batteriet og fjerner fremmedlegemet.
10. Bruk klemmer eller lignende for å holde arbeidsstykket på plass så sant det er mulig.
11. Bruk alltid hørselsvern når du bruker verktøyet.
12. Ikke skjær trematerialer med dette verktøyet.
13. Den utvendige diametere og tykkelsen på skiven må ligge innenfor den oppgitte kapasiteten for elektroverktøyet. Skiver i feil størrelse kan ikke bli tilstrekkelig sikret eller kontrollert.
14. Hold verktøyet godt fast med begge hender og plasser kroppen og armene dine for å motstå kreftene ved tilbakeslag når du bruker elektroverktøyet.
15. Hold hendene og ansiktet unna den roterende skiven.
16. Juster skivedekselet til en posisjon som egner seg for arbeidet du skal utføre.
17. Sørg for at verktøyet ikke blir vått, hold det unna vann, regn, gjørme og sølepytter.
18. Ikke la verktøyet ligge uten oppsyn utendørs.
19. Ved oppbevaring av verktøyet må du unngå direkte sollys og regn, og den skal oppbevares på et sted som ikke blir varmt eller fuktig.
20. Rengjør filteret i støvsugeren regelmessig.

TA VARE PÅ DISSE INSTRUKSENE.

⚠ADVARSEL: IKKE LA hensynet til hva som er "behagelig" eller det faktum at du kjenner produktet godt (etter mange gangers bruk) gjøre deg mindre oppmerksom på sikkerhetsreglene for bruken av det aktuelle produktet. Ved MISBRUK eller hvis ikke sikkerhetsreglene i denne bruksanvisningen følges, kan det oppstå alvorlig personskade.

Viktige sikkerhetsanvisninger for batteriinnsetts

1. Før du begynner å bruke batteriet, må du lese alle anvisninger og forsiktighetsregler på (1) batteriladeren, (2) batteriet og (3) det produktet batteriet skal brukes i.
2. Ikke demonter eller tukle batteriet. Det kan føre til brann, overoppheting eller eksplosjon.
3. Hvis driftstiden er blitt vesentlig kortere, må du omgående slutte å bruke maskinen. Hvis ikke kan resultatet bli overoppheting, mulige forbrenninger eller til og med en eksplosjon.
4. Hvis du får elektrolytt i øynene, må du skylle dem med store mengder rennende vann og oppsøke lege med én gang. Denne typen uhell kan føre til varig blindhet.
5. Ikke kortslett batteriet:
 - (1) De kan være ekstremt varme og du kan brenne deg.
 - (2) Ikke lagre batteriet i samme beholder som andre metallgjenstander, som for eksempel spiker, mynter osv.
 - (3) Ikke la batteriet komme i kontakt med vann eller regn.En kortslutning av batteriet kan føre til et kraftig strømstøt, overoppheting, mulige forbrenninger og til og med til at batteriet går i stykker.
6. Ikke oppbevar og bruk verktøyet og batteriet på steder hvor temperaturen kan komme opp i eller overskride 50 °C.
7. Ikke sett fyrr på batteriet, ikke engang om det er sterkt skadet eller helt utslitt. Batteriet kan eksplodere hvis det begynner å brenne.
8. Du må ikke spikre, skjære, klemme, kaste eller miste batteriet, og heller ikke slå en hard gjenstand mot batteriet. En slik oppførsel kan føre til brann, overoppheting eller eksplosjon.
9. Ikke bruk batterier som er skadet.
10. Lithium-ion-batteriene som medfølger er gjenstand for krav om spesialavfall. For kommersiell transport, f.eks av tredjeparter eller speditører, må spesielle krav om pakking og merking følges. Før varen blir sendt, må du forhøre deg med en ekspert på farlig materiale. Ta også hensyn til muligheten for mer detaljerte nasjonale bestemmelser. Bruk teip eller maskeringsteip for å skjule åpne kontakter og pakk inn batteriet på en slik måte at den ikke kan bevege seg rundt i emballasjen.
11. Når du kasserer batteriinnsettsen, må du ta den ut av verktøyet og avhende den på et sikkert sted. Følg lokale bestemmelser for avhending av batterier.

12. **Bruk batteriene kun med produkter spesifisert av Makita.** Montere batteriene i produkter som ikke er konforme kan føre til brann, overheting eller elektrolyttlekkasje.
13. Hvis verktøyet ikke skal brukes over en lengre periode, må batteriet tas ut av verktøyet.
14. **Under og etter bruk kan batteriet bli varmt og før til brannskader.** Vær forsiktig med håndteringen av varme batterier.
15. Ikke berører terminalen på verktøyet rett etter bruk, da den kan bli varm og forårsake brannskader.
16. Ikke la spon, støv eller jord sette seg fast i terminalene, hullene og sporene i batteriet. Det kan føre til at batteriet eller verktøyet blir overopphetet, begynner å brenne, sprekker eller ikke fungerer som det skal, og forårsake brannskader eller personskaade.
17. **Med mindre verktøyet støtter bruk nær en høyspent strømlinje, skal ikke batteriet brukes nær en høyspent strømlinje.** Det kan føre til en funksjonsfeil eller at verktøyet eller batteriet slutter å fungere.
18. **Oppbevar batteriet utilgjengelig for barn.**

TA VARE PÅ DISSE INSTRUKSENE.

⚠️ FORSIKTIG: Bruk kun originale Makita-batterier. Bruk av batterier som har endret seg, eller som ikke er originale Makita-batterier, kan føre til at batteriet sprekker og forårsaker brann, personskaade og andre skader. Det vil også ugyldiggjøre garantien for Makita-verktøyet og -laderen.

Tips for å opprettholde maksimal batterilevetid

1. **Lad batteriinnnsatsen før den er helt utladet.** Stopp alltid driften av verktøyet og lad batteriinnnsatsen når du merker at effekten reduseres.
2. **Lad aldri en batteriinnnsats som er fulladet.** Overopplading forkorter batteriets levetid.
3. **Lad batteriet i romtemperatur ved 10 °C - 40 °C.** Et varmt batteri må kjøles ned før lading.
4. **Når batteriet ikke er bruk, skal det tas ut av verktøyet eller laderen.**
5. **Lad batteriet hvis det ikke har vært brukt på en lang stund (over seks måneder).**

Viktige sikkerhetsanvisninger for trådløs enhet

1. Du må ikke demontere eller tukle med den trådløse enheten.
 2. Hold den trådløse enheten unna små barn. Hvis enheten ved et uhell svelges, skal lege kontaktes umiddelbart.
 3. Den trådløse enheten skal kun brukes med Makita-verktøy.
 4. Ikke utsett den trådløse enheten for regn eller fuktighet.
 5. Ikke bruk den trådløse enheten på steder den temperaturen overskrider 50 °C.
 6. Ikke bruk den trådløse enheten på steder der medisinsk utstyr, som pacemakere, er i nærheten.
7. **Ikke bruk den trådløse enheten på steder der automatiserte enheter er i nærheten.** Hvis automatisert enheter tas i bruk, kan det oppstå en funksjonssvikt eller feil.
 8. **Ikke bruk den trådløse enheten på steder med høye temperaturer eller der det kan genereres statisk elektrisitet eller elektrisk støv.**
 9. **Den trådløse enheten kan skape elektromagnetiske felt (EMF), men de er ikke skadelige for brukeren.**
 10. **Den trådløse enheten er presisjonsinstrument. Vær forsiktig så du ikke mister eller utsetter den trådløse enheten for slag.**
 11. **Unngå å berøre den trådløse enhetens tilkoblingspunkt med ubeskyttede hender eller metallmaterialer.**
 12. **Du må alltid ta batteriet ut av produktet når du skal installere den trådløse enheten.**
 13. **Når du skal åpne sporets lokk, må du unngå steder der støv og vann kan trenge inn i sporet. Du må alltid sørge for at sporets innløp er rent.**
 14. **Sett alltid den trådløse enheten inn i riktig retning.**
 15. **Ikke trykk for hardt på trådløse aktiveringsknappen på den trådløse enheten, og trykk heller ikke på knappen med en gjenstand med skarp kant.**
 16. **Du må alltid lukke sporets lokk under bruk.**
 17. **Ikke fjern den trådløse enheten fra sporet mens verktøyet forsynes med strøm.** Det kan føre til en funksjonsfeil i den trådløse enheten.
 18. **Ikke fjern klebemerket på den trådløse enheten.**
 19. **Ikke sett klebemerker på den trådløse enheten.**
 20. **Ikke etterlat den trådløse enheten på et sted der det kan genereres statisk elektrisitet eller elektrisk støv.**
 21. **Ikke etterlat den trådløse enheten på et sted der den kan utsettes for mye varme, som i en bil som er parkert i solen.**
 22. **Ikke etterlat den trådløse enheten på et sted med mye støv eller pulver, eller på et sted der det kan genereres korroderende gass.**
 23. **En plutselig temperaturendring kan få den trådløse enheten til å dugge. Ikke bruk den trådløse enheten før duggen har tørket helt bort.**
 24. **Når du rengjør den trådløse enheten, tørker du forsiktig av den med en tørr, myk klut. Ikke bruk bensin, tynner, ledende fett eller lignende.**
 25. **Når den trådløse enheten skal lagres, oppbevares den i esken som følger med eller en beholder som ikke er statisk.**
 26. **Ikke sett andre enheter med Makitas trådløse enhet inn i sporet på verktøyet.**
 27. **Ikke bruk verktøyet hvis sporets lokk er skadet. Vann, støv om smuss som trenger inn i sporet kan føre til funksjonsfeil.**
 28. **Ikke dra i og/eller vri sporets lokk mer enn nødvendig. Sett lokket tilbake på plass hvis det løsner fra verktøyet.**
 29. **Erstatt sporets lokk hvis det går tapt eller blir skadet.**

TA VARE PÅ DISSE INSTRUKSENE.

DELEBESKRIVELSE

► Fig.1

1	Diamantskive	2	Skivedeksel	3	Skivedekselgrep	4	Støvmunnstykke
5	Fremre grep	6	Lampe	7	Batteriinnsett	8	AV-sperreknapp
9	Trådløsoverføringslampe	10	Trådløsoverføringsknapp	11	Nedre vern	12	Hjul
13	Spindellåsknapp	14	Deksel (til kilereim)	15	Klemmeholder	16	Håndtak
17	Startbryter	18	Lampeknapp	19	Overbelastningsindikator	20	Slangeklemme A
21	Slangeklemme B	22	Stjerneskive	-	-	-	-

FUNKSJONS BESKRIVELSE

⚠️ FORSIKTIG: Forviss deg alltid om at maskinen er slått av og batteriet tatt ut før du justerer maskinen eller kontrollerer dens mekaniske funksjoner.

Sette inn eller ta ut batteri

⚠️ FORSIKTIG: Slå alltid av verktøyet før du setter inn eller fjerner batteriet.

⚠️ FORSIKTIG: Hold verktøyet og batteripatronen i et fast grep når du monterer eller fjerner batteripatronen. Hvis du ikke holder verktøyet og batteripatronen godt fast, kan du miste grepet, og dette kan føre til skader på verktøyet og batteripatronen samt personskader.

Når du skal sette inn batteriet, må du plassere tungen på batteriet på linje med sporet i huset og skyve batteriet på plass. Skyv det helt inn til det går i inngrep med et lite klikk. Hvis du kan se den røde indikatoren som vist i figuren, er det ikke helt låst.

Når du skal ta ut batteriene, må du løfte batteriet mens du trykker på knappen foran på batteriet.

► Fig.2: 1. Rød indikator 2. Knapp 3. Batteriinnsett

⚠️ FORSIKTIG: Batteriet må alltid settes helt inn, så langt at den røde anviseren ikke lenger er synlig. Hvis dette ikke gjøres, kan batteriet komme til å falle ut av maskinen og skade deg eller andre som oppholder seg i nærheten.

⚠️ FORSIKTIG: Ikke bruk makt når du setter i batteriet. Hvis batteriet ikke glir lett inn, er det fordi det ikke settes inn på riktig måte.

MERK: Verktøyet fungerer ikke med kun ett batteri.

Indikere gjenværende batterikapasitet

Trykk på sjekk-knappen på batteriet for vise gjenværende batterikapasitet. Indikatorlampene lyser i et par sekunder.

► Fig.3: 1. Indikatorlamper 2. Kontrollknapp

Indikatorlamper			Gjenværende batterinivå
Tent	Av	Blinker	
■	■	■	75 % til 100 %
■	■	□	50 % til 75 %
■	□	□	25 % til 50 %
■	□	□	0 % til 25 %
▬	□	□	Lad batteriet.
■	□	□	Batteriet kan ha en feil.
□	□	■	

MERK: Det angitte nivået kan avvike noe fra den faktiske kapasiteten alt etter bruksforholdene og den omgivende temperaturen.

MERK: Den første (helt til venstre) indikatorlampen vil blinke når batterivernsystemet fungerer.

Batterivernsystem for verktøy/batteri

Verktøyet er utstyrt med et batterivernsystem for verktøy/batteri. Dette systemet slår automatisk av strømmen til motoren for å forlenge verktøyet og batteriets levetid. Verktøyet stopper automatisk under drift hvis verktøyet eller batteriet utsettes for en av følgende tilstander. Indikatorene lyser i noen tilfeller.

Overlastsikring

Når verktøyet/batteriet brukes på en måte som gjør at det bruker unormalt mye strøm, vil verktøyet stoppe automatisk. Hvis dette skjer, må du slå av verktøyet og avslutte bruken som forårsaket at verktøyet ble overbelastet. Slå deretter verktøyet på for å starte det igjen.

Overopphetingsvern

Når verktøyet/batteriet er overopphetet, stanser verktøyet automatisk, og lampen blinker. I denne situasjonen må du la verktøyet kjøle seg ned før du slår verktøyet på igjen.

Overutladingsvern

Når batterikapasiteten blir lav, stopper verktøyet automatisk og indikatorlampen på batteriet blinker. Hvis verktøyet ikke går selv om bryterne aktiveres, må du ta batteriene ut av verktøyet og lade batteriene.

Vern mot andre årsaker

Vernesystemet er også laget for beskyttelse mot andre ting som kan skade verktøyet og gjøre at det stanser automatisk. Gå gjennom alle de følgende forholdsreglene for å fjerne årsakene til at verktøyet har stanset midlertidig mens det er i drift.

1. Slå av verktøyet, og slå det deretter på igjen for å starte det på nytt.
2. Lad opp batteriene eller skift dem ut med oppladde batterier.
3. La både verktøyet og batteriene avkjøles.

Hvis det ikke blir noen forbedring ved at verne-systemet gjenopprettes, tar du kontakt med det lokale Makita-servicesenteret.

OBS: Hvis verktøyet stopper av en årsak som ikke er beskrevet over, kan du se avsnittet om feilsøking.

Varsel om overbelastning

Hvis verktøyet påføres for høy belastning, begynner overbelastningsindikatoren å blinke rødt. Hvis dette skjer, må du redusere belastningen på verktøyet. Da slutter indikatoren å blinke.

► **Fig.4:** 1. Overbelastningsindikator

Bryterfunksjon

⚠ADVARSEL: Før du setter batteriet inn i maskinen, må du alltid kontrollere at startbryteren aktiverer maskinen på riktig måte og går tilbake til «AV»-stilling når den slippes.

⚠ADVARSEL: ALDRI sett AV-sperreknappen ut av funksjon ved for eksempel å teipe over den. En defekt AV-sperreknapp kan føre til at verktøyet aktiveres utilsikket, og alvorlige personskader kan oppstå.

⚠ADVARSEL: Verktøyet må ALDRI brukes hvis det begynner å gå bare du drar i startbryteren, uten at du må trykke på AV-sperreknappen også. En skadet/defekt bryter kan føre til at verktøyet aktiveres utilsikket, og alvorlige personskader kan oppstå. Returner verktøyet til et Makita-servicesenter for å få det reparert FØR videre bruk.

For å unngå at noen drar i startbryteren ved en feiltakelse er verktøyet utstyrt med en AV-sperreknapp. Trykk på AV-sperreknappen og dra i startbryteren for å starte verktøyet. Slipp startbryteren for å stanse verktøyet.

► **Fig.5:** 1. Startbryter 2. AV-sperreknapp

OBS: Ikke dra hardt i startbryteren uten å trykke inn AV-sperreknappen. Det kan føre til at bryteren knekker.

Tenne lampen

⚠FORSIKTIG: Ikke se inn i lyset eller se direkte på lyskilden.

Slå på lampen ved å trykke på lampeknappen. Slå av lampen ved å trykke på lampeknappen igjen.

► **Fig.6:** 1. Lampeknapp 2. Lampe

MERK: Lampen slår seg av automatisk hvis det går ett minutt uten at verktøyet blir brukt.

Justere skivedekselet

Hold i skivedekselgrepet og juster posisjonen til skivedekselet etter hva som egner seg for arbeidet du skal utføre.

► **Fig.7:** 1. Skivedekselgrep

Aktiv tilbakeslagfølelse teknologi

Verktøyet vil elektronisk oppdage situasjoner hvor skiven risikerer å sette seg fast. I dette tilfellet vil verktøyet automatisk slå seg av for å unngå at spindelen fortsetter å rotere (det forhindrer ikke tilbakeslag).

For å starte verktøyet på nytt, må du først slå av verktøyet, fjerne årsaken til det plutselige rotasjonsfallet og deretter slå på verktøyet igjen.

Elektrisk brems

Den elektriske bremsen aktiveres når verktøyet slås av. Bremsen fungerer ikke dersom strømtilførselen kobles ut, ved for eksempel at batteriet tas ut ved en feil, med bryteren på.

MONTERING

⚠FORSIKTIG: Forviss deg alltid om at maskinen er slått av og batteriet tatt ut før du utfører noe arbeid på maskinen.

Montere eller demontere diamantskive

⚠FORSIKTIG: Bruk bare Makita-nøkkelen til å montere eller demontere skiven.

⚠FORSIKTIG: Når du monterer skiven, må du sørge for å stramme boltene godt.

⚠FORSIKTIG: Ikke trykk på spindellåsknappen mens skiven roterer.

Demonter skiven ved å trykke på spindellåsknappen og rotere skiven til skiven ikke kan roteres mer. Mens spindellåsen er helt låst, dreier du sekskantboltene mot klokken ved hjelp av stjernenøkkelen. Ta deretter av sekskantboltene, flensen, skiven, ringen og flensen i den rekkefølgen.

► **Fig.8:** 1. Spindellåsknapp 2. Stjernenøkkel
3. Stramme 4. Løсне

► **Fig.9:** 1. Sekskantkrue 2. Flens 3. Ring
4. Diamantskive 5. Pål (skivens rotasjonsretning)

Monter bladet ved å følge fremgangsmåten for demontering i motsatt rekkefølge.
HUSK Å STRAMM SEKSANTBOLTEN GODT.

⚠️FORSIKTIG: Monter alltid skiven slik at pilen peker i samme retning som pilen på skivedekselet. Ellers vil skiven rotere i revers, noe som kan føre til personskade.

⚠️FORSIKTIG: Du må bare bruke skiven som er merket med en hastighet som er lik eller høyere enn hastigheten som er avmerket på verktøyet.

MERK: Når du monterer skiven, må du passe på å sette på flensene slik at den flate siden av flensen vender mot skiven, og sette på ringen som samsvarer med skivens innvendige diameter.

- **Fig.10:** 1. Sekskantbolt 2. Flens 3. Ring
4. Diamantskive

Koble til støvsuger

OBS: Lukk alltid hetten når du kobler til en støvsuger.

Hvis du vil skjære så rent som mulig, kan du koble en Makita-støvsuger til verktøyet ditt.

Åpne hetten, og koble slangen til støvsugeren.

- **Fig.11:** 1. Hette 2. Støvmunnstykke 3. Slange
4. Støvsuger

Du kan endre vinkelen på støvmunnstykket slik det vises i figuren.

- **Fig.12**

Slangeklemme

OBS: Fjern alltid slangeklemmen fra verktøyet når det ikke er i bruk.

OBS: Ikke åpne eller lukke slangeklemmen uten grunn. Overdreven åpning og lukking kan ødelegge slangeklemmen.

Du kan feste en slangeklemme til støvsugeren for enklere betjening av slangen

1. Fest slangeklemme A eller slangeklemme B på slangen.

Type	Gjeldende ytre diameter for slangen
Slangeklemme A	ø 40 mm–ø 46 mm (ø 1-9/16"–ø 1-13/16")
Slangeklemme B	ø 35 mm–ø 40 mm (ø 1-3/8"–ø 1-9/16")

- **Fig.13:** 1. Slangeklemme A / slangeklemme B
2. Slange

2. Før stiftene på slangeklemmen inn i hullene i klemmeholderen.

Sørg for at de to stiftene sitter godt i hullene.

- **Fig.14:** 1. Stift 2. Hull 3. Klemmeholder

3. Følg monteringsprosedyren i motsatt rekkefølge for å fjerne slangeholderen.

Oppbevaring av stjernene

Når stjernene ikke er i bruk, må du oppbevare den som vist i figuren, slik at du ikke mister den.

- **Fig.15:** 1. Stjernene

BRUK

Kontrollere den nedre vernfunksjonen

Fjern batteriet.

Trekk det nedre vernet manuelt helt inn til enden, og slipp det. Det nedre vernet virker som det skal hvis:

- den trekkes tilbake uten hindringer og
- den automatisk går tilbake til opprinnelig posisjon.

- **Fig.16:** 1. Nedre vern

Hvis det nedre vernet ikke fungerer som det skal, kontrollerer du om det har samlet seg støv på innsiden av skivedekselet.

Du kan fjerne støv ved å trekke inn og slippe ut det nedre vernet flere ganger.

Hvis det nedre vernet ikke virker som det skal selv etter at du har fjernet støv, må du levere maskinen til et Makita servicesenter.

Varsel om uvanlig støy

OBS: Ikke bruk diamantskiver som er misdannet eller gamle. Ellers kan det oppstå funksjonsfeil, uvanlig støy eller brudd på deler.

Diamantskiven kan avgi uvanlig støy, for eksempel metallfriskjon når verktøyet kjører ved lav hastighet, selv om diamantskiven er ny og uten misdannelser. Dette er ikke en funksjonsfeil.

Enkelte typer diamantskiver kan avgi uvanlig støy når verktøyet kjører ved lav hastighet. Det er fordi diamantskiven og skivedekselet er plassert svært nært hverandre for å sikre effektiv oppsamling av støv.

Kjør verktøyet ved full hastighet og betjen for korrekt skjæring. Dette fjerner den uvanlige støyen.

Skjæring

⚠️FORSIKTIG: Hold arbeidsstykket godt fast på en stabil benk eller et bord mens arbeidet utføres.

⚠️FORSIKTIG: Ikke vri eller tving maskinen i kuttet, da dette kan gjøre at motoren overbelastes eller at arbeidsemnet brykker.

⚠️FORSIKTIG: Verktøyet må ikke løftes over skulderhøyde under bruk.

- **Fig.17**

1. Hold godt tak i verktøyet. Ta tak i håndtaket med høyre hånd og fremre grep med venstre hånd. Hold alltid tak i den angitte delen av det fremre grepet som vist i figuren, slik at du unngår elektrisk støt ved at du ved et uhell skjærer i en elektrisk kabel.

- **Fig.18:** 1. Del å holde i

2. Slå på verktøyet uten at diamantskiven er i kontakt med noe, og vent til diamantskiven oppnår full hastighet.

3. Sett diamantskiven forsiktig rett inn i arbeidsstykke, og skyv verktøyet jevnt bakover helt til skjæringen er fullført.

- Sørg for at skjærelinjen er jevn og at du skyver verktøyet i en jevn hastighet.

- Skyv verktøyet i retningen på pilen på det nedre vernet.

Hvis du beveger verktøyet forover (hvis du skyver verktøyet i motsatt retning av pilen), reduseres effektiviteten for støvoppsamlingen betraktelig.

► **Fig.19:** 1. Pil

- Sørg for at du holder det nedre vernet inntil arbeidsstykket. Hvis det oppstår klaring mellom det nedre vernet og arbeidsstykket, lekker det støv, og effektiviteten for støvoppsamling reduseres betraktelig.

► **Fig.20:** 1. Nedre vern

MERK: Verktøyet fungerer ikke som tiltenkt når batteritemperaturen er for lav. Bruk verktøyet til lett saging til batteriet er oppvarmet til romtemperatur. Deretter kan verktøyet brukes med full kapasitet.

MERK: Hvis diamantskivens funksjon begynner å avta, må du slippe skjærekanten med en gammel grov sandslipestein eller en betongblokk. Slip ved å trykke lett på ytterkanten til diamantskiven.

TRÅDLØSAKTIVERINGSFUNKSJON

Valgfritt tilbehør

OBS: Monter det valgfrie støvdekslet og tilbehøret før du bruker denne funksjonen.

Hva du kan gjøre med trådløsaaktiveringsfunksjonen

Trådløsaaktiveringsfunksjonen muliggjør ren og behagelig bruk. Hvis du kobler en støttet støvsuger til verktøyet, kan du bruke støvsugeren automatisk sammen med verktøyet bryterfunksjon.

► **Fig.21**

Hvis du vil bruke trådløsaaktiveringsfunksjonen, må du klargjøre følgende elementer:

- En trådløs enhet (valgfritt tilbehør)
- En støvsuger som støtter trådløsaaktiveringsfunksjonen

Oversikten over innstillingen for trådløsaaktiveringsfunksjonen er som følger. Du finner detaljerte fremgangsmåter i hver enkelt del.

1. Installere den trådløse enheten
2. Verktøyregistrering for støvsugeren
3. Starte trådløsaaktiveringsfunksjonen

Installere den trådløse enheten

Valgfritt tilbehør

⚠️FORSIKTIG: Plasser verktøyet på et flatt og stabilt underlag når du skal installere den trådløse enheten.

OBS: Fjern støv og smuss på verktøyet før du installerer den trådløse enheten. Støv eller smuss kan føre til funksjonsfeil hvis det trenger inn i den trådløse enhetens spor.

OBS: For å unngå funksjonsfeil som følge av statisk elektrisitet, berører du et statisk utladningsmateriale, som en av verktøyet metalldele, før du tar i den trådløse enheten.

OBS: Når du installerer den trådløse enheten, må du passe på at den trådløse enheten settes inn i riktig rettet og at lokket lukkes helt igjen.

1. Åpne lokket på verktøyet som vist i figuren.

► **Fig.22:** 1. Lokk

2. Sett den trådløse enheten inn i sporet, og lukk lokket.

Når du setter inn den trådløse enheten, innretter du fremspringene med de utsparte delene på sporet.

► **Fig.23:** 1. Trådløs enhet 2. Fremspring 3. Lokk 4. Utspart del

Når du fjerner den trådløse enheten, må du åpne lokket sakte. Krokene på baksiden av lokket vil løfte den trådløse enheten når du drar i lokket.

► **Fig.24:** 1. Trådløs enhet 2. Krok 3. Lokk

Etter at du har fjernet den trådløse enheten, oppbevares den i esken som følger med eller en beholder som ikke er statisk.

OBS: Du må alltid bruke krokene på baksiden av lokket når du fjerner den trådløse enheten. Hvis krokene ikke hekter seg fast i den trådløse enheten, lukker du lokket helt og åpner det sakte på nytt.

Verktøyregistrering for støvsugeren

MERK: En Makita-støvsuger som støtter trådløsaaktiveringsfunksjonen er nødvendig for verktøyregistrering.

MERK: Fullfør installasjonen av den trådløse enheten i verktøyet før du starter verktøyregistreringen.

MERK: Du må ikke dra i startbryteren eller slå på strømbryteren på støvsugeren under verktøyregistrering.

MERK: Les i tillegg brukerveiledningen for støvsugeren.

Hvis du ønsker å aktivere støvsugeren sammen med verktøyet bryterfunksjon, må du fullføre verktøyregistreringen på forhånd.

1. Sett batteriene i støvsugeren og verktøyet.
 2. Still ventebryteren på støvsugeren på "AUTO".
- **Fig.25:** 1. Ventebryter

3. Trykk på trådløssaktiveringsknappen på støvsugeren i 3 sekunder til trådløssaktiveringslampen blinker grønt. Deretter trykker du på trådløssaktiveringsknappen på verktøyet på samme måte.

- **Fig.26:** 1. Trådløssaktiveringsknapp
2. Trådløssaktiveringslampe

Hvis koblingen av støvsugeren og verktøyet lykkes, vil trådløssaktiveringslampene lyse grønt i 2 sekunder og begynner å blinke blått.

MERK: Trådløssaktiveringslampene slutter å blinke grønt når det har gått 20 sekunder. Trykk på trådløssaktiveringsfunksjonen på verktøyet mens trådløssaktiveringslampen på støvsugeren blinker. Hvis trådløssaktiveringslampen ikke blinker grønt, trykker du på trådløssaktiveringsknappen et kort øyeblikk og holder den inne igjen.

MERK: Når du utfører to eller flere verktøyregistreringer for én støvsuger, fullfører du verktøyregistreringen en etter en.

Starte trådløssaktiveringsfunksjonen

MERK: Fullfør verktøyregistreringen for støvsugeren før trådløssaktiveringen.

MERK: Les i tillegg brukerveiledningen for støvsugeren.

Etter at et verktøy er registrert til støvsugeren, vil støvsugeren automatisk svive sammen med verktøyets bryterfunksjon.

1. Installer den trådløse enheten i verktøyet.
2. Koble støvsugerens slange til verktøyet.

► **Fig.27**

3. Still ventebryteren på støvsugeren på "AUTO".

► **Fig.28:** 1. Ventebryter

4. Trykk et kort øyeblikk på trådløssaktiveringsknappen på verktøyet. Trådløssaktiveringslampen vil blinke blått.

► **Fig.29:** 1. Trådløssaktiveringsknapp
2. Trådløssaktiveringslampe

5. Slå på verktøyet. Kontroller om støvsugeren går mens verktøyet er i drift.

Hvis du vil stanse støvsugerens trådløssaktivering, trykker du på trådløssaktiveringsknappen på verktøyet.

MERK: Trådløssaktiveringslampen på verktøyet vil slutte å blinke blått når verktøyet ikke har blitt brukt på 2 timer. Da setter du i tilfelle ventebryteren på støvsugeren på "AUTO" og trykker på trådløssaktiveringsknappen på verktøyet igjen.

MERK: Støvsugeren starter/stopper med en forsinkelse. Det er en tidsforsinkelse når støvsugeren oppdater at en bryter på verktøyet er trykket på.




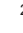






MERK: Det trådløse enhetens overføringsavstand kan variere avhengig av sted og omgivelsesforhold.

MERK: Når to eller flere verktøy er registrert til én støvsuger, kan det hende at støvsugeren begynner å kjøre selv om du ikke slår på verktøyet fordi en annen bruker bruker trådløssaktiveringsfunksjonen.

Beskrivelse av trådløsskiveringslampens status

► Fig.30: 1. Trådløsskiveringslampe

Trådløsskiveringslampen viser statusen til trådløsskiveringsfunksjonen. Du finner informasjon om lampestatusens betydning i tabellen nedenfor.

Status	Trådløsskiveringslampe			Beskrivelse	
	Farge	 På	 Blinker		Varighet
Vente-modus	Blå			2 timer	Trådløsskivering av støvsugeren er tilgjengelig. Lampen vil slå seg av når verktøyet ikke har blitt brukt på 2 timer.
				Når verktøyet sviver.	Trådløsskivering av støvsugeren er tilgjengelig, og verktøyet sviver.
Verktøyregistrering	Grønn			20 sekunder	Klar for verktøyregistrering. Venter på registrering av støvsugeren.
				2 sekunder	Verktøyregistreringen er fullført. Trådløsskiveringslampen vil begynne å blinke blått.
Avbryte verktøyregistrering	Rød			20 sekunder	Klar for å avbryte verktøyregistrering. Venter på at støvsugeren skal avbryte.
				2 sekunder	Verktøyregistreringen er avbrutt. Trådløsskiveringslampen vil begynne å blinke blått.
Andre	Rød			3 sekunder	Den trådløse enheten forsynes med strøm, og trådløsskiveringsfunksjonen starter opp.
	Av	-		-	Trådløsskivering av støvsugeren stanses.

Avbryte verktøyregistrering for støvsugeren

Gå frem på følgende måte når du skal avbryte verktøyregistrering for støvsugeren.

1. Sett batteriene i støvsugeren og verktøyet.
2. Still ventebryteren på støvsugeren på "AUTO".

► Fig.31: 1. Ventebryter

3. Trykk på trådløsskiveringsknappen på støvsugeren i 6 sekunder. Trådløsskiveringslampen blinker grønt og blir deretter rød. Deretter trykker du på trådløsskiveringsknappen på verktøyet på samme måte.

- Fig.32: 1. Trådløsskiveringsknapp
2. Trådløsskiveringslampe

Hvis avbrytingen er vellykket, vil trådløsskiveringslampene lyse rødt i 2 sekunder og begynne å blinke blått.

MERK: Trådløsskiveringslampene slutter å blinke rødt når det har gått 20 sekunder. Trykk på trådløsskiveringsfunksjonen på verktøyet mens trådløsskiveringslampen på støvsugeren blinker. Hvis trådløsskiveringslampen ikke blinker rødt, trykker du på trådløsskiveringsknappen et kort øyeblikk og holder den inne igjen.

Feilsøking for trådløsoverføringsfunksjonen

Inspiser utstyret selv før du bestiller reparasjon. Ikke prøv å demontere verktøyet hvis du finner et problem som ikke er forklart i brukerveiledningen. I stedet bør du ta kontakt med et av Makitas autoriserte servicesentre, som alltid bruker reservedeler fra Makita til reparasjoner.

Unormal tilstand	Sannsynlig årsak (feil)	Løsning
Trådløsoverføringslampe blinker ikke.	Den trådløse enheten er ikke installert i verktøyet. Den trådløse enheten er installert på feil måte i verktøyet.	Installer den trådløse enheten på riktig måte.
	Det trådløse enhetens tilkoblingspunkt og/eller spor er tilsmusset.	Tørk forsiktig bort støv og smuss på den trådløse enhetens tilkoblingspunkt, og rengjør sporet.
	Du har ikke trykket på trådløsoverføringsknappen.	Trykk et kort øyeblikk på trådløsoverføringsknappen på verktøyet.
	Ventebryteren på støvsugeren er ikke stilt inn på "AUTO".	Still ventebryteren på støvsugeren på "AUTO".
	Ingen strømforsyning	Sørg for at verktøyet og støvsugeren har strømforsyning.
Kan ikke fullføre verktøyregistrering/avbryt verktøyregistrering.	Den trådløse enheten er ikke installert i verktøyet. Den trådløse enheten er installert på feil måte i verktøyet.	Installer den trådløse enheten på riktig måte.
	Det trådløse enhetens tilkoblingspunkt og/eller spor er tilsmusset.	Tørk forsiktig bort støv og smuss på den trådløse enhetens tilkoblingspunkt, og rengjør sporet.
	Ventebryteren på støvsugeren er ikke stilt inn på "AUTO".	Still ventebryteren på støvsugeren på "AUTO".
	Ingen strømforsyning	Sørg for at verktøyet og støvsugeren har strømforsyning.
	Feil bruk	Trykk på trådløsoverføringsknappen et kort øyeblikk, og utfør verktøyregistrering/avbryting på nytt.
	Verktøyet og støvsugeren er for langt unna hverandre (utenfor overføringsområdet).	Sørg for at verktøyet og støvsugeren er nærmere hverandre. Maksimal overføringsavstand er ca. 10 m, men den kan variere avhengig av forholdene.
	Før du fullfører verktøyregistrering/avbryting: - bryteren på verktøyet er slått på, eller - startknappen på støvsugeren er slått på.	Trykk på trådløsoverføringsknappen et kort øyeblikk, og utfør verktøyregistrering/avbryting på nytt.
	Verktøyregistreringen for verktøyet eller støvsugeren er ikke fullført.	Følg fremgangsmåten for verktøyregistrering for både verktøyet og støvsugeren samtidig.
	Radioforstyrrelse fra andre innretninger som genererer radiobølger med høy intensitet.	Hold verktøyet og støvsugeren borte fra innretninger som WiFi-enheter og mikrobølgeovner.
	Støvsugeren sviver ikke sammen med verktøets bryterfunksjon.	Den trådløse enheten er ikke installert i verktøyet. Den trådløse enheten er installert på feil måte i verktøyet.
Det trådløse enhetens tilkoblingspunkt og/eller spor er tilsmusset.		Tørk forsiktig bort støv og smuss på den trådløse enhetens tilkoblingspunkt, og rengjør sporet.
Du har ikke trykket på trådløsoverføringsknappen.		Trykk på trådløsoverføringsknappen et kort øyeblikk, og kontroller at trådløsoverføringslampe blinker blått.
Ventebryteren på støvsugeren er ikke stilt inn på "AUTO".		Still ventebryteren på støvsugeren på "AUTO".
Mer enn 10 verktøy er registrert til støvsugeren.		Utfør verktøyregistreringen på nytt. Hvis mer enn 10 verktøy er registrert til støvsugeren, vil det først registrerte verktøyet bli fjernet automatisk.
Støvsugeren slettet alle verktøyregistreringer.		Utfør verktøyregistreringen på nytt.
Ingen strømforsyning		Sørg for at verktøyet og støvsugeren har strømforsyning.
Verktøyet og støvsugeren er for langt unna hverandre (utenfor overføringsområdet).		Sørg for at verktøyet og støvsugeren er nærmere hverandre. Maksimal overføringsavstand er ca. 10 m, men den kan variere avhengig av forholdene.
Radioforstyrrelse fra andre innretninger som genererer radiobølger med høy intensitet.		Hold verktøyet og støvsugeren borte fra innretninger som WiFi-enheter og mikrobølgeovner.
Støvsugeren går mens verktøyet ikke er i drift.	Andre brukere bruker støvsugerens trådløsoverføring med verktøyene sine. Slå av de andre verktøyenes trådløsoverføringsknapp, eller avbryt verktøyregistrering for andre verktøy.	

VEDLIKEHOLD

⚠ FORSIKTIG: Forviss deg alltid om at maskinen er slått av og batteriet tatt ut før du foretar inspeksjon eller vedlikehold.

OBS: Aldri bruk gasolin, bensin, tynner alkohol eller lignende. Det kan føre til misfarging, deformering eller sprekkdannelse.

For å opprettholde produktets SIKKERHET og PÅLITELIGHET, må reparasjoner, vedlikehold og justeringer utføres av autoriserte Makita servicesentre eller fabrikkservicesentre, og det må alltid brukes reservedeler fra Makita.

Rengjøre verktøyet

OBS: Ikke rengjør verktøyet med vann.

Hver gang du har brukt verktøyet, tar du ut batteriene og skiven, og deretter fjerner du støv, smuss eller skitt som har samlet seg opp inne i skivedekselet. Rengjør hoveddelen av verktøyet ved å tørke bort støv og smuss med en tørr klut eller en klut som er dyppet i såpevann og vridd opp. Bruk en tørr klut til å tørke smuss av lampelinsen. Vær forsiktig så det ikke blir riper i lampelinsen, da dette kan redusere lysstyrken.

► **Fig.33:** 1. Skivedeksel 2. Lampelinsen

Rengjøre luftåpningene

Rengjør verktøyets luftenåpninger med jevne mellomrom og ellers når åpningene begynner å tettes.

► **Fig.34:** 1. Luftenåpning

Bytte ut synkronbåndet

1. Ta ut batteriinnsettene og skiven.
2. Løsne sekskantboltene med tuppen på sekskantnøkkelen, og ta av dekselet.
► **Fig.35:** 1. Stjernenøkkel 2. Sekskantbolt 3. Deksel
3. Skyv inn spindellåsknappen og hold den for å låse den store trinsen, og drei deretter mutteren mot klokken ved å bruke den tynne enden av stjernenøkkelen.
► **Fig.36:** 1. Stor trinse 2. Spindellåsknapp
4. Skyv inn spindellåsknappen og hold den for å låse den store trinsen, og drei deretter den lille skiven mot klokken ved å bruke den tykke enden av stjernenøkkelen til å løsne synkronbåndet.
► **Fig.37:** 1. Spindellåsknapp 2. Stor trinse 3. Liten skive
5. Fjern båndet.
6. Når sporene på båndet er på innsiden, fester du én ende av båndet til den lille trinsen og deretter den andre enden av båndet til den store trinsen.
► **Fig.38:** 1. Bånd 2. Stor trinse 3. Liten trinse

7. Skyv inn spindellåsknappen og hold den for å låse den store trinsen, og drei deretter den lille skiven med klokken ved å bruke den tykke enden av stjernenøkkelen til å stramme båndet.

► **Fig.39:** 1. Spindellåsknapp 2. Stor trinse

MERK: Pass på at den lille skiven er i samme posisjon som vist i figuren.

► **Fig.40:** 1. Liten skive

8. Skyv inn spindellåsknappen og hold den for å låse den store trinsen, og drei deretter mutteren med klokken ved å bruke den tynne enden av stjernenøkkelen.

► **Fig.41:** 1. Spindellåsknapp

MERK: Når du strammer mutteren, bruker du 19-21 N•m som strammingsmoment.

9. Sett på dekselet og stram sekskantboltene med tuppen på sekskantnøkkelen.

► **Fig.42:** 1. Stjernenøkkel 2. Sekskantbolt 3. Deksel

FEILSØKING

Inspirer utstyret selv før du bestiller reparasjon. Ikke prøv å demontere verktøyet hvis du finner et problem som ikke er forklart i brukerveiledningen. I stedet bør du ta kontakt med et av Makitas autoriserte servicesentre, som alltid bruker reservedeler fra Makita til reparasjoner.

Unormal tilstand	Sannsynlig årsak (feil)	Løsning
Motoren går ikke.	Batterier er ikke satt inn.	Sett inn to batterier. Dette verktøyet fungerer ikke med ett batteri.
	Batterierproblemer (med spenning)	Lad opp batteriet. Hvis ladingen ikke virker, skal batteriet skiftes ut.
	Drivsystemet virker ikke slik det skal.	Kontakt ditt nærmeste autoriserte servicesenter hvis det oppstår behov for reparasjon.
Motoren slutter å gå etter kort tids bruk.	Batteriets ladenivå er lavt.	Lad opp batteriet. Hvis ladingen ikke virker, skal batteriet skiftes ut.
	Overoppheting.	Stopp bruken av verktøyet og la det avkjøles.
Skiverotasjonen akselerer ikke skikkelig selv om verktøyet har fått svinge uten belastning i 20 sekunder.	Batteriet er ikke riktig satt inn.	Sett inn batteriinnsettene som beskrevet i denne håndboken.
	Batterieffekten minsker.	Lad batteriinnsettene. Hvis batteriinnsettene ikke lader, må du skifte ut batteriinnsettene.
	Synkronbåndet glipper.	Bytt ut synkronbåndet med et nytt.
	Drivsystemet virker ikke slik det skal.	Kontakt ditt nærmeste autoriserte servicesenter hvis det oppstår behov for reparasjon.
Skiven roterer ikke: ⇒ Stans maskinen umiddelbart!	Synkronbåndet glipper.	Bytt ut synkronbåndet med et nytt.
	Fremmedlegemer har kilt seg mellom skivedekselet og skiven.	Ta ut batteriinnsettene, og fjern deretter fremmedlegemet.
	Drivsystemet virker ikke slik det skal.	Kontakt ditt nærmeste autoriserte servicesenter hvis det oppstår behov for reparasjon.
Unormale vibrasjoner: ⇒ Stans maskinen umiddelbart!	Skiven er ikke festet riktig.	Sett inn skiven som beskrevet i denne håndboken. Trekk til bolten for å feste skiven godt.
	Drivsystemet virker ikke slik det skal.	Kontakt ditt nærmeste autoriserte servicesenter hvis det oppstår behov for reparasjon.
Skjæreverktøyet og motoren stopper ikke: ⇒ Ta ut batteriet umiddelbart!	Elektrisk eller elektronisk funksjonsfeil.	Ta ut batteriinnsettene og be det lokale, autoriserte servicesenteret om å få dem reparert.
Verktøyet skjærer dårlig	Det er på tide å skifte skiven.	Erstatt skiven med en ny.
Dårlig sugekraft fra støvsugeren.	Filteret i støvsugeren er tett.	Rengjør filteret. Hvis rengjøring av filteret ikke løser problemer, bytter du ut filteret.
Det nedre vernet virker ikke som det skal hvis:	Det har samlet seg opp støv på innsiden av skivedekselet.	Trekk inn og slipp ut det nedre vernet flere ganger.

VALGFRITT TILBEHØR

⚠ FORSIKTIG: Det anbefales at du bruker dette tilbehøret eller verktøyet sammen med den Makita-maskinen som er spesifisert i denne håndboken. Bruk av annet tilbehør eller verktøy kan forårsake personskader. Tilbehør og verktøy må kun brukes til det formålet det er beregnet på.

Ta kontakt med ditt lokale Makita-servicesenter hvis du trenger mer informasjon om dette tilbehøret.

- Diamantskive
- Ringsett
- Synkronbånd
- Stjernenøkkel
- Trådløs enhet
- Makita originalbatteri og lader

MERK: Enkelte elementer i listen kan være inkludert som standardtilbehør i verktøypakken. Elementene kan variere fra land til land.

TEKNISET TIEDOT

Malli:	CE002G
Laikan halkaisija	350–355 mm
Laikan suurin paksuus	4,0 mm
Suurin leikkaussyvyys	127 mm
Nimellisnopeus	4 200 min ⁻¹
Nimellisjännite	DC 72 V – 80 V maks.
Pölynimurin suositeltu ilmatilavuus	Vähintään 1,8 m ³ /min
Kokonaispituus	825 mm
Nettopaino	13,1 - 15,1 kg

- Jatkuvasta tutkimus- ja kehitystyöstämme johtuen esitetyt tekniset tiedot saattavat muuttua ilman erillistä ilmoitusta.
- Tekniset tiedot voivat vaihdella maittain.
- Paino voi olla erilainen lisävarusteista sekä akusta johtuen. EPTA-menettelytavan 01/2014 mukaisesti, taulukossa on kuvattu kevyin ja painavin laiteyhdistelmä.

Käytettävä akkupaketti ja laturi





Akkupaketti	BL4040 / BL4050F* / BL4080F* *: Suositeltu akku
Laturi	DC40RA/ DC40RB / DC40RC

- Tiettyjä yläpuolella kuvattuja akkuja ja latureita ei ehkä ole saatavana asuinalueestasi johtuen.

VAROITUS: Käytä vain edellä eriteltyjä akkupaketteja ja latureita. Muiden akkupakettien ja laturien käyttäminen voi aiheuttaa loukkaantumisen ja/tai tulipalon.

Symbolit

Laitteessa on mahdollisesti käytetty seuraavia symboleja. Opettele niiden merkitys ennen käyttöä.

	Lue käyttöohje.
	Käytä suojalaseja.
	Älä käytä hiovaa katkaisulaikkaa. Käytä vain timanttilaikkaa.
	Älä leikkaa metallia.
	Älä syötä vettä.



Ni-MH
Li-ion

Koskee vain EU-maita
Käytetyillä sähkö- ja elektroniikkalaitteilla, paristoilla ja akuilla voi olla negatiivisia ympäristö- ja terveysvaikutuksia niissä käytettyjen haitallisten osien takia. Älä hävitä sähkö- ja elektroniikkalaitteita tai akkuja kotitalousjätteen mukana!
Vanhoja sähkö- ja elektroniikkalaitteita, paristoja ja akkuja koskevan EU-direktiivin ja sen perusteella laadittujen kansallisten lakien mukaan käytetyt sähkö- ja elektroniikkalaitteet, paristot ja akut on kierrätettävä toimittamalla ne erilliseen, ympäristönsuojelusäädösten mukaisesti toimivaan kierrätyspisteeseen.
Tämä on ilmaistu laitteessa olevalla yllivedetyn roska-astian symbolilla.

Käyttötarkoitus

Tämä työkalu on tarkoitettu leikkaamaan muurattuja materiaaleja timanttilaikkaa käyttäen.

Melutaso

Tyypillinen A-painotettu melutaso määräytyy standardin EN60745-2-22 mukaan:

Äänenpainetaso (L_{pA}): 106 dB (A)

Äänen voiman taso (L_{WA}): 117 dB (A)

Virhemarginaali (K): 3 dB (A)

HUOMAA: Ilmoitetut melutasoarvot on mitattu standarditestausten menetelmän mukaisesti ja niiden avulla voidaan vertailla työkaluja keskenään.

HUOMAA: Ilmoitettuja melutasoarvoja voidaan käyttää myös altistumisen alustavaan arviointiin.

VAROITUS: Käytä kuulosuojaimia.

VAROITUS: Sähkötyökalun käytön aikana mitattu melutasoarvo voi poiketa ilmoitetuista arvoista laitteen käytettävän ja erityisesti käsiteltävän työkappaleen mukaan.

VAROITUS: Selvitä käyttäjän suojaamiseksi tarvittavat varoimet todellisissa käyttöolosuhteissa tapahtuvan arvioidun altistumisen mukaisesti (ottaen huomioon käyttöjakso kokonaisuudessaan, myös jaksot, joiden aikana laite on sammutettuna tai käy tyhjäkäynnillä).

Tärinä

Työtila: betonin leikkaaminen

Vasen käsi		Oikea käsi		Sovellettava standardi
$a_{h,w}$ (m/s^2)	Epävarmuus K (m/s^2)	$a_{h,w}$ (m/s^2)	Epävarmuus K (m/s^2)	
$\leq 2,5$	1,5	$\leq 2,5$	1,5	EN60745-2-22

HUOMAA: Ilmoitetut kokonaistärinäarvot on mitattu standarditestausten menetelmän mukaisesti ja niiden avulla voidaan vertailla työkaluja keskenään.

HUOMAA: Ilmoitettuja kokonaistärinäarvoja voidaan käyttää myös altistumisen alustavaan arviointiin.

VAROITUS: Sähkötyökalun käytön aikana mitattu todellinen tärinäpäästöarvo voi poiketa ilmoitetuista arvoista laitteen käytettävän ja erityisesti käsiteltävän työkappaleen mukaan.

VAROITUS: Selvitä käyttäjän suojaamiseksi tarvittavat varoimet todellisissa käyttöolosuhteissa tapahtuvan arvioidun altistumisen mukaisesti (ottaen huomioon käyttöjakso kokonaisuudessaan, myös jaksot, joiden aikana laite on sammutettuna tai käy tyhjäkäynnillä).

Vaatimustenmukaisuusvaatimukset

Koskee vain Euroopan maita

Vaatimustenmukaisuusvakuutukset on liitetty tähän käyttöoppaaseen liitteeksi A.

TURVAVAROITUKSET

Sähkötyökalujen käyttöä koskevat yleiset varoitukset

VAROITUS Tutustu kaikkiin tämän sähkötyökalun mukana toimitettuihin turvavaroituksiin, ohjeisiin, kuviin ja teknisiin tietoihin. Seuraavassa esitettyjen ohjeiden noudattamatta jättäminen voi aiheuttaa sähköiskun, tulipalon ja/tai vakavan vamman.

Säilytä varoitukset ja ohjeet tulevaa käyttöä varten.

Varoituksissa käytettävällä termillä "sähkötyökalu" tarkoitetaan joko verkkovirtaa käyttävää (johdollista) työkalua tai akkukäyttöistä (johdotonta) työkalua.

Akkukäyttöistä sähkölaikkaleikkuria koskevat turvavaroitukset

Katkaisukoneen turvavaroitukset

- Työkalun mukana toimitettu suojus on kiinnitettävä laitteeseen tukevasti turvalliseen asentoon niin, että mahdollisimman pieni osa laikasta näkyy käyttäjää kohti. Asetu siten, että sinä itse tai kukaan sivullinen ei ole pyörivän laikan kanssa samassa tasossa. Suojaa suojaaa käyttäjää rikkoutuneen laikan sirpaleilta ja estää koskettamasta laikkaa vahingossa.**
- Käytä ainoastaan laitteeseen tarkoitettuja timanttikatkaisulaikkoja. Vaikka lisävaruste voidaan kiinnittää sähkötyökaluun, sen käyttö ei silti välttämättä ole turvallista.**
- Lisävarusteen määrätyn nopeuden täytyy olla ainakin samanvertainen tehokoneessa osoitetun enimmäisnopeuden kanssa. Sellaiset lisävarusteet, jotka toimivat nopeammin, kuin määritetty nopeus, voivat rikkoutua ja sinkoutua erilleen.**
- Laikkoja saa käyttää vain niille suositeltuun käyttötarkoitukseen. Esimerkki: älä käytä katkaisulaikan sivua hiomiseen. Katkaisulaikat on tarkoitettu vain hiomiseen laikan kehällä. Sivuttaisvoimat voivat rikkoa laikan.**

5. **Käytä aina ehjiä laikkaloippoja, joiden läpimitä vastaa valittua laikkaa.** Oikeantyyppiset laikkaloipat tukevat laikkaa ja pienentävät näin laikan rikkoutumisriskiä.
6. **Lisävarusteisi ulkohalkaisijan ja paksuuden on oltava tehokoneisi määritetyn kapasiteetin sisällä.** Väärin mitoitettuja lisävarusteita ei voida suojata tai ohjata sopivasti.
7. **Laikkojen ja laippojen reikäkokojen täytyy sopia työkalun karaan täsmälleen.** Laikat ja laipat, joiden rei'itys ei vastaa työkalun kiinnitysosaa, toimivat epätasapainossa, värähtelevät liiassa ja saattavat aiheuttaa hallinnan menetyksen.
8. **Älä käytä viallisia laikkoja.** Tarkasta ennen jokaista käyttökertaa, ettei laikoissa ei ole lohkeamia tai halkeamia. Jos työkalu tai laikka pääsee putoamaan, tarkista sen kunto tai vaihda laikka ehjään. Asetu laikan tarkastuksen ja asennuksen jälkeen siten, että sinä itse tai kukaan sivullinen ei ole pyörivän laikan kanssa samassa tasossa, ja käytä laitetta sitten suurimmalla sallitulla joutokäyntinopeudella yhden minuutin ajan. Vialliset laikat rikkoutuvat yleensä tässä kokeessa.
9. **Käytä suojavarusteita.** Käytä käyttötarkoituksen mukaisesti kasv suojusta, suojalaseja tai sivusuojiilla varustettuja laseja. Käytä tarvittaessa hengityssuojainta, kuulosuojaimia, hansikkaita ja työessua, joka suojaa pieniltä pirstaleilta. Suojalasiin täytyy suojata kaikenlaisista töistä aiheutuvilta lentäviltä pirstaleilta. Hengityssuojaimen täytyy suodattaa työskentelyn tuottamat hiukkaset. Pitkäaikainen altistuminen voimakkaalle melulle voi vahingoittaa kuuloa.
10. **Sivullisten tulee pysyä turvallisien etäisyyden päässä työskentelyalueesta.** Kaikkien työskentelyalueelle tulevien on käytettävä suojavarusteita. Työkappaleen tai rikkoutuneen laikan sirpalleet voivat sinkoutua ja aiheuttaa onnettomuuden muuallakin kuin käyttökohteen välittömässä läheisyydessä.
11. **Pidä sähkötyökalua vain sen eristetyistä tartuntapinnoista, kun on mahdollista, että sen terä osuu piilossa oleviin johtoihin.** Jos leikkauslisälaite joutuu kosketukseen jännitteisen johdon kanssa, jännite voi siirtyä työkalun sähköä johtaviin metalliosiin ja aiheuttaa käyttäjälle sähköiskun.
12. **Älä koskaan laita tehokonetta alas, ennen kuin lisävaruste on täysin pysähtynyt.** Pyörivä laikka voi tarttua alla olevaan pintaan ja vetää työkalun pois hallinnastasi.
13. **Älä käytä laitetta, kun kannat sitä sivullasi.** Vahingossa aiheutuva kosketus pyörivään lisävarusteeseen voi repiä vaatteesi, vetäen lisävarusteen kehoosi.
14. **Puhdista työkalun ilma-aukot säännöllisesti.** Moottorin tuuletin imee pölyä koteloon, ja metallijauheen kerääntyminen laitteeseen voi aiheuttaa sähköiskuvaaran.
15. **Älä käytä tehokonetta tulenarkojen materiaalien lähellä.** Kipinät voivat sytyttää nämä materiaalit.
16. **Älä käytä jäähdytysnestettä vaativia lisävarusteita.** Veden tai muun jäähdytysnesteen käyttäminen voi aiheuttaa sähkötapaturman tai -iskun.

Takapotku ja siihen liittyvät varoitukset
 Takapotku on kiinni juuttuneen laikan aiheuttama äkillinen sysäys. Kiinni juuttuminen tai takertelu aiheuttaa pyörivän laikan äkkinäisen pysähtymisen, mikä puolestaan aiheuttaa työkalun hallitsemattoman työntymisen pyörimisliikkeen vastakkaiseen suuntaan. Jos laikka esimerkiksi juuttuu työkappaleeseen, juuttumiskohtaan pureutumassa oleva laikka voi tunkeutua kappaleen pintaan, jolloin se kiipeää ylös tai potkaisee taaksepäin. Laikka voi ponnahtaa joko käyttäjää kohti tai käyttäjältä pois päin riippuen laikan pyörimissuunnasta juuttumishetkellä. Laikka voi myös rikkoutua näissä olosuhteissa.
 Takapotku johtuu tehokoneen virheellisestä käytöstä ja/ tai käyttötavasta tai olosuhteista. Takapotku voidaan välttää seuraavien varoitimien avulla.

1. **Pitele tehokoneesta tukevasti kiinni ja asetu sellaiseen asentoon, että voit vastustaa takapotkun voimaa.** Käytä aina apukahvaa, jos annettu mukana, takapotkujen tai vääntömomentin maksimi hallinnon vuoksi käynnistytksen aikana. Käyttäjä voi hallita vääntömomentin reaktioita tai takapotkun voimaa noudattamalla sopivia varoitimenpiteitä.
2. **Älä koskaan vie kättäsi pyörivän lisävarusteen lähelle.** Lisävaruste saattaa aiheuttaa takapotkun käteesi.
3. **Älä asetu pyörivän laikan kanssa samaan linjaan.** Takapotku heittää laitetta laikan pyörimissuuntaan nähden päinvastaiseen suuntaan.
4. **Ole erityisen varovainen, kun työstät nurkkia, teräviä reunoja tms. Vältä laikan pomppimista ja jumittamista.** Kulmilla, terävillä reunoilla tai ponnahtamisella on taipumus repäistä pyörivää lisävarustetta ja aiheuttaa hallinnan menettämisen tai takapotkun.
5. **Älä käytä laitteessa teräketjua, puunveistotettä, halkaisijaltaan yli 10 mm:n (3/8") kokoista segmentoitua timanttilaikkaa tai hammastettua sahanterää.** Tällaiset terät aiheuttavat usein takapotkuja ja hallinnan menettämisen.
6. **Älä anna laikan juuttua paikalleen äläkä paina laitetta liian voimakkaasti.** Älä yritä tehdä liian syvää uraa. Laikan liiallinen painaminen lisää kuormitusta ja laikan vääräntymis- tai juuttumisriskiä, jolloin seurauksena voi olla takapotku tai laikan rikkoutuminen.
7. **Kun laikka takertelee tai työ joudutaan jostakin syystä keskeyttämään, katkaise laitteesta virta ja pidä sitä paikoillaan liikkumatta, kunnes laikka on täysin pysähtynyt.** Älä koskaan yritä irrottaa laikkaa urasta, kun laikka vielä pyörii, koska seurauksena voi olla takapotku. Selvitä laikan takertelun syy ja poista juuttumisen aiheuttaminen syy.
8. **Älä käynnistä laitetta niin, että se on kiinni työkappaleessa.** Anna laikan savuttaa täysi pyörimisnopeus ja työnä laikka sitten varovasti leikkuu-uraa. Jos työkalu käynnistetään niin, että se on kiinni työkappaleessa, laikka voi juuttua, työntyä taaksepäin tai ponnahtaa ylös.
9. **Vähennä laikan takertelu- ja takapotkuriskiä tukemalla paneelit ja ylisuurat työkappaleet huolellisesti.** Suurikokoiset työkappaleet pyrkivät taipumaan omasta painostaan. Työkappale on tuettava laikan kummaltakin puolelta leikkuulinjan vierestä ja työkappaleen reunoilta.

10. Ole erityisen varovainen, kun teet aukkoja seinäniin tai muihin umpinaisiin rakenteisiin. Laikka voi katkaista kaasu- tai vesiputken tai sähköjohtoja tai osua takapotkun aiheuttaviin esteisiin.

Turvallisuutta koskevat lisävaroitukset:

1. **Älä käytä hiovaa katkaisulaikkaa.** Muutoin tulipalo ja/tai liiallinen kuumentuminen voivat aiheuttaa palovammoja.
2. **Älä leikkaa metalliesineitä.** Muutoin tulipalo ja/tai liiallinen kuumentuminen voivat aiheuttaa palovammoja.
3. **Varmista ennen segmentoidun timanttilaikan käyttämistä, että segmenttien välinen rako laikan kehällä on enintään 10 mm (3/8")** ja että laikan teräkulma on negatiivinen.
4. **Älä koskaan yritä koskaan leikata työkalulla, joka on ylösalaisin viilapenkillä.** Tämä voi johtaa vakaviin onnettomuuksiin, koska se on erittäin vaarallista.
5. **Jotkin materiaalit sisältävät kemikaaleja, jotka voivat olla myrkyllisiä.** Huolehdi siitä, että pölyn sisäänhengittäminen ja ihokosketus estetään. Noudata materiaalin toimittajan turvaohjeita.
6. **Säilytä laikkoja valmistajan suositusten mukaisesti.** Väärä säilytys voi vaurioittaa laikkoja.
7. **Käytä aina työhön ja leikattavalle materiaalille sopivaa laikkaa.**
8. **Tarkasta materiaali ennen sen leikkaamista.** Jos materiaali sisältää räjähtäviä tai syttyviä ainesosia, sen leikkaaminen voi aiheuttaa räjähdysten tai tulipalon.
9. **Älä kytke työkalua päälle, jos laikan suojuksen ja laikan väliin on jumitunut jokin vieras esine.** Irrota tällöin akkupaketti ja poista sitten vieras esine.
10. **Kiinnitä työkalu paikalleen puristimia tai vastaavia käyttämällä aina, kun se on mahdollista.**
11. **Käytä aina kuulosuojaimia käytön aikana.**
12. **Älä leikkaa puumateriaaleja tällä työkalulla.**
13. **Laikan ulkohalkaisijan ja paksuuden on oltava sähkötyökalun nimellisteholle sopivat.** Vääränkokoisia laikkoja ei voida suojata tai ohjata riittävästi.
14. **Kun käytät sähkötyökalua, pitele sitä lujasti molemmin käsin ja asetu niin, että kehosi ja käsivartesi pystyvät vastustamaan takapotkun voimaa.**
15. **Pidä kätesi ja kasvosi poissa pyörivän laikan ulottuvilta.**
16. **Säädä laikansuojus työlle sopivaan asentoon.**
17. **Älä kastele työkalua vedellä, sateessa, kurassa tai lammikossa.**
18. **Älä jätä työkalua ulos ilman valvontaa.**
19. **Kun varastoit työkalun, vältä sijoittamasta sitä paikkaan, jossa se altistuu suoralle auringonpaisteelle, sateelle, kuumuudelle tai kosteudelle.**
20. **Puhdista pölynimurin suodatin säännöllisesti.**

SÄILYTÄ NÄMÄ OHJEET.

VAROITUS: ÄLÄ anna työkalun helpokäyttöisyyden (toistuvan käytön aikaansaama) johtaa sinua vääriin turvallisuuden tunteeseen niin, että laiminlyöt työkalun turvaohjeiden noudattamisen. **VÄÄRINKÄYTTÖ** tai tässä käyttöohjeessa ilmoitettujen turvamääräysten laiminlyönti voi aiheuttaa vakavia henkilövahinkoja.

Akkupakettia koskevia tärkeitä turvaohjeita

1. Ennen akun käyttöönottoa tutustu kaikkiin laturissa (1), akussa (2) ja akkukäyttöisessä tuotteessa (3) oleviin varoitusteksteihin.
2. **Älä pura tai peukaloi imuria akkupaketistä.** Se voi johtaa tulipaloon, ylikuumentumiseen tai räjähdykseen.
3. **Jos akun toiminta-aika lyhenee merkittävästi, lopeta akun käyttö.** Seurauksena voi olla ylikuumentuminen, palovammoja tai jopa räjähdys.
4. **Jos akkunestettä pääsee silmiin, huuhtelee puhtaalla vedellä ja hakeudu välittömästi lääkärin hoitoon.** Akkuneste voi aiheuttaa näön menetyksen.
5. **Älä oikosulje akkua.**
 - (1) **Älä koske akun napoihin millään sähköä johtavalla materiaalilla.**
 - (2) **Älä akun oikosulkemista äläkä säilytä akkua yhdessä muiden metalliesineiden, kuten naulojen, kolikoiden ja niin edelleen kanssa.**
 - (3) **Älä aseta akkua alttiiksi vedelle tai sateelle.****Oikosulku voi aiheuttaa virtapiikin, ylikuumentumista, palovammoja tai laitteen rikkoutumisen.**
6. **Älä säilytä ja käytä työkalua ja akkupakettia paikassa, jossa lämpötila voi nousta 50 °C:een (122 °F) tai korkeammaksi.**
7. **Älä hävitä akkua polttamalla, vaikka se olisi pahoin vaurioitunut tai täysin loppuun kulunut.** Avotuli voi aiheuttaa akun räjähtämisen.
8. **Älä naulaa, leikkaa, purista, heitä tai pudota akkupakettia tai iske sitä kovia esineitä vasten.** Tällaiset toimet voivat johtaa tulipaloon, ylikuumentumiseen tai räjähdykseen.
9. **Älä käytä viallista akkua.**
10. **Sisältyviä litium-ioni-akkuja koskevat vaarallisten aineiden lainsäädännön vaatimukset.** Esimerkiksi kolmansien osapuolten huolintaliikkeiden tulee kaupallisissa kuljetuksissa noudattaa pakkaamista ja merkintöjä koskevia erityisvaatimuksia. Lähetettävän tuotteen valmistelu edellyttää vaarallisten aineiden asiantuntijan neuvontaa. Huomioi myös mahdollisesti yksityiskohtaisemmat kansalliset määräykset
Akun avoimet liittimet tulee suojata teipillä tai suojuksella ja pakkaaminen tulee tehdä niin, ettei akku voi liikkua pakkauksessa.
11. **Kun akkupaketti on hävitettävä, poista se laitteesta ja hävitä se turvallisesti.** Hävitä akku paikallisten määräysten mukaisesti.

7. Älä käytä langatonta yksikköä paikassa, jonka läheisyydessä on automatisoituja laitteita. Toiminnallisena automatisoidut laitteet voivat aiheuttaa käyttöhäiriöitä tai virheitä.
8. Älä jätä langatonta yksikköä paikkaan, jonka lämpötila on suuri tai jossa voi muodostua staattista sähköä tai sähkökohinahäiriöitä.
9. Langaton yksikkö voi muodostaa käyttäjälle vaarattomia sähkömagneettia (EMF).
10. Langaton yksikkö on tarkkuuslaite. Puhdoltaan tai pudottamasta langatonta yksikköä.
11. Vältä koskettelemasta langattoman yksikön liittintä paljain käsin tai metallisilla materiaaleilla.
12. Irrota akku laitteesta aina, kun laitteeseen asennetaan langaton yksikkö.
13. Avattaessa uran kannta, vältä paikkoja missä pöly ja vesi voivat päästä uraan. Pidä aina uran aukko puhtaana.
14. Aseta langaton yksikkö aina oikeassa suunnassa.
15. Älä paina langattoman yksikön langatonta aktivointipainiketta liian kovaa ja/tai paina painiketta teräväreunaisilla kohteilla.
16. Sulje aina uran kansi käytön aikana.
17. Älä irrota langatonta yksikköä urasta laitteen virransyötön aikana. Muussa tapauksessa voi seurauksena olla langattoman yksikön käyttöhäiriöitä.
18. Älä irrota langattoman yksikön tarraa.
19. Älä kiinnitä mitään tarroja langattomaan yksikköön.
20. Älä jätä langatonta yksikköä paikkaan, missä on staattista sähköä tai sähkökohinahäiriöitä voi muodostua.
21. Älä jätä langatonta yksikköä äärimmäisiin lämpötiloihin, kuten auton istuimelle auringonpaisteeseen.
22. Älä jätä langatonta yksikköä paikkaan, missä on pölyä tai jauheita tai syövyttäviä kaasuja voi muodostua.
23. Äkillinen lämpötilan vaihtelu voi kostuttaa langattoman yksikön. Älä käytä langatonta yksikköä ennenkuin kaste on täysin kuivunut.
24. Puhdistat langaton yksikkö pyyhkimällä se kevyesti kuivalla liinalla. Älä käytä puhdistamiseen bensiiniä, tinneriä, johtavaa rasvaa tai vastaavaa.
25. Säilytä langatonta yksikköä mukana toimituksessa kotolossa tai ei staattisessa säiliössä.
26. Älä liitä muita, kuin Makitan langattomia yksiköitä laitteeseen uraan.
27. Älä käytä laitetta uran kannen ollessa vaurioitunut. Uraan pääsevä vesi, pöly ja lika voivat aiheuttaa käyttöhäiriöitä.
28. Älä vedä ja/tai väännä uran kannta enempää kuin on tarpeen. Aseta kansi takaisin jos se irtaantuu laitteesta.
29. Vaihda uran kansi sen ollessa kadonnut tai vaurioitunut.

SÄILYTÄ NÄMÄ OHJEET.

⚠HUOMIO: Käytä vain alkuperäisiä Makita-akkuja. Muiden kuin aitojen Makita-akkujen, tai mahdollisesti muutettujen akkujen käyttö voi johtaa akun murtoomiseen ja aiheuttaa tulipaloja, henkilö- ja omaisuusvahinkoja. Se mitätöi myös Makita-työkalun ja -laturin Makita-takuun.

Vihjeitä akun käyttöön pidentämiseksi

1. Lataa akku ennen kuin se purkautuu täysin. Lopeta aina työkalun käyttö ja lataa akku, jos huomaat työkalun tehon vähenevän.
2. Älä koskaan lataa uudestaan täysin ladattua akkua. Ylilataaminen lyhentää akun käyttöikää.
3. Lataa akku huoneen lämpötilassa välillä 10 °C - 40 °C. Anna kuumen akun jäähtyä ennen lataamista.
4. Irrota akkupaketti työkalusta tai laturista, kun sitä ei käytetä.
5. Lataa akkupaketti, jos et käytä sitä pitkään aikaan (yli kuusi kuukautta).

Langatonta yksikköä koskevat tärkeät turvallisuusohjeet

1. Älä pura tai peukaloi langatonta yksikköä.
2. Pidä langaton yksikkö lasten ulottumattomissa. Jos tuote niellään vahingossa, ota välittömästi yhteys lääkäriin.
3. Käytä langatonta yksikköä vain Makitan työkalujen kanssa.
4. Älä altista langatonta yksikköä sateelle tai kosteisiin olosuhteisiin.
5. Älä käytä langatonta yksikköä paikassa, jossa lämpötila voi nousta yli 50 °C.
6. Älä käytä langatonta yksikköä paikassa, jonka läheisyydessä on lääketieteellisiä instrumentteja, kuten sydämentahdistajia jne.

SÄILYTÄ NÄMÄ OHJEET.

OSIEN KUVAUS

► Kuva1

1	Timanttilaikka	2	Laikansuojus	3	Laikansuojuksen kahva	4	Pölysuutin
5	Etukahva	6	Lamppu	7	Akkupaketti	8	Lukituksen vapautuspainike
9	Langattoman aktiivoinnin merkkivalo	10	Langaton aktiivointipainike	11	Alasuojus	12	Pyörä
13	Akselin lukkopainike	14	Kansi (V-hihna)	15	Letkusiteen pidike	16	Kahva
17	Liipaisinkytkin	18	Lamppupainike	19	Ylikuormituksen merkkivalo	20	Letkuside A
21	Letkuside B	22	Hylsyavain	-	-	-	-

TOIMINTOJEN KUVAUS

▲HUOMIO: Varmista aina ennen säätöjä ja tarkastuksia, että työkalu on sammutettu ja akkupaketti irrotettu.

Akun asentaminen tai irrottaminen

▲HUOMIO: Sammuta työkalu aina ennen akun kiinnittämistä tai irrottamista.

▲HUOMIO: Pidä työkalusta ja akusta tiukasti kiinni, kun irrotat tai kiinnität akkua. Jos akkupaketti tai työkalu putoaa, ne voivat vaurioitua tai aiheuttaa tapaturman.

Akkupaketti asetetaan paikalleen sovittamalla akkupaketin kieleke rungon uraan ja työntämällä se sitten paikalleen. Työnnä se pohjaan asti niin, että kuulet sen napsahdavan paikoilleen. Jos näet kuvan mukaisen punaisen ilmaisimen, lukitus ei ole täysin pitävä.

Irrota akkupaketit painamalla nostamalla niitä samalla, kun painat akun etupuolella olevaa painiketta.

► **Kuva2:** 1. Punainen ilmainen 2. Painike 3. Akkupaketti

▲HUOMIO: Työnnä akku aina pohjaan asti, niin että punainen ilmainen ei enää näy. Jos akku ei ole kunnolla paikallaan, se voi pudota työkalusta ja aiheuttaa vammoja joko sinulle tai sivullisille.






















▲HUOMIO: Älä käytä voimaa akun asennuksessa. Jos akku ei liu'u paikalleen helposti, se on väärässä asennossa.

HUOMAA: Työkalu ei toimi yhdellä akulla.

Akun jäljellä olevan varaustason ilmaisimien

Painamalla tarkistuspainiketta saat näkyviin akun jäljellä olevan varauksen. Merkkivalot palavat muutaman sekunnin ajan.

► **Kuva3:** 1. Merkkivalot 2. Tarkistuspainike

Merkkivalot			Akussa jäljellä olevan varaus
 Palaa	 Pois päältä	 Viikkuu	
			75% - 100%
			50% - 75%
			25% - 50%
			0% - 25%
			Lataa akku.
			Akussa on saattanut olla toimintahäiriö.

HUOMAA: Ilmoitettu varaustaso voi erota hieman todellisesta varaustasosta sen mukaan, millaisissa oloissa ja missä lämpötilassa laitetta käytetään.

HUOMAA: Ensimmäinen (vasemmanpuoleisin) merkkivalo viikkuu, kun akun suojausjärjestelmä on toiminnassa.

Työkalun/akun suojausjärjestelmä

Työkalu on varustettu työkalu/akun suojausjärjestelmällä. Tämä järjestelmä pidentää työkalun ja akun käyttöikää katkaisemalla automaattisesti moottorin virran. Työkalu pysähtyy automaattisesti kesken käytön, jos työkalussa tai akussa ilmenee jokin seuraavista tilanteista: Joissakin tilanteissa merkkivalot syttyvät.

Ylikuormitusuoja

Kun laitetta/akkuu käytetään tavalla, joka saa sen kuluttamaan epätavallisen suuren määrän virtaa, laite pysähtyy automaattisesti. Katkaise tässä tilanteessa laitteesta virta ja lopeta ylikuormitustilan aiheuttanut käyttö. Käynnistä sitten laite uudelleen kytkemällä siihen virta.

Ylikuumenemissuoja

Jos työkalu/akku on ylikuumentunut, työkalu pysähtyy automaattisesti ja lamppu vilkkuu. Tässä tilanteessa sinun tulee antaa työkalun jäähtyä ennen virran kytkemistä takaisin.

Ylipurkautumissuoja

Kun akku alkaa tyhjentyä, työkalu pysähtyy automaattisesti ja akkupaketin merkkivalo vilkkuu. Ellei työkalu toimi, vaikka kytkimiä painetaan, irrota akut työkalusta ja lataa ne.

Suojaus muilta haitallisilta tapahtumilta

Suojausjärjestelmä on suunniteltu suojaamaan työkalu myös muilta tapahtumilta, jotka voisivat vahingoittaa työkalua, ja pysäyttämään työkalu automaattisesti tällaisissa tapauksissa. Kun työkalu tai sen toiminta on pysähtynyt tilapäisesti tai se on pysähtynyt, poista pysäytyksen syyt seuraavien vaiheiden mukaisesti.

1. Käynnistä työkalu sammuttamalla se ja kytkemällä se sitten uudelleen päälle.
2. Lataa akut tai vaihda ne ladattuihin akkuihin.
3. Anna koneen ja akkujen jäähtyä.

Jos suojausjärjestelmän nollaaminen ei korjaa tilannetta, ota yhteys paikalliseen Makita-huoltoon.

HUOMAUTUS: Jos työkalu pysähtyy muusta kuin edellä kuvatusta syystä, katso vianmääritysohjeita.

Ylikuormituksen hälytys

Jos työkalua käytetään äärimmäisellä kuormituksella, ylikuormituksen merkkivalo vilkkuu punaisena. Pienennä tällöin työkalun kuormitusta. Merkkivalon pitäisi tällöin lakata vilkkumasta.

► **Kuva4:** 1. Ylikuormituksen merkkivalo

Kytkimen käyttäminen

VAROITUS: Tarkista aina ennen akkupaketin asettamista työkaluun, että liipaisinkytkin kytketty oikein ja palaa "OFF"-asettoon, kun se vapautetaan.

VAROITUS: ÄLÄ KOSKAAN ohita lukituksen vapautuspainiketta teippaamalla sitä kiinni tai muulla tavoin. Kun lukituksen vapautuspainike on ohitettu, kytkimen käsittely saattaa aiheuttaa vahinkokäynnistymisen, mistä voi seurata vakava henkilövahinko.

VAROITUS: ÄLÄ KOSKAAN käytä työkalua, jos se käynnistyy pelkästään liipaisinkytkintä painamalla ilman, että lukituksen vapautuspainiketta painetaan. Viallinen kytkin saattaa aiheuttaa vahinkokäynnistymisen, mistä voi seurata vakava henkilövahinko. Toimita työkalu Makita-huoltoon korjattavaksi ENNEN kuin jatkat käyttöä.

Työkalussa on lukituksen vapautuspainike, joka estää liipaisinkytkimen painamisen vahingossa. Käynnistä työkalu painamalla lukituksen vapautuspainike sisään ja painamalla liipaisinkytkintä. Pysäytä vapauttamalla liipaisinkytkin.

► **Kuva5:** 1. Liipaisinkytkin 2. Lukituksen vapautuspainike

HUOMAUTUS: Älä paina liipaisinkytkintä voimakkaasti, ellei samalla paina lukituksen vapautuspainiketta. Tämä voi aiheuttaa kytkimen rikkoutumisen.

Lampun sytyttäminen

HUOMIO: Älä katso suoraan lamppuun tai valonlähteeseen.

Sytytä lamppu painamalla lamppupainiketta. Sammuta lamppu painamalla lamppupainiketta uudelleen.

► **Kuva6:** 1. Lamppupainike 2. Lamppu

HUOMAA: Lamppu sammuu automaattisesti, kun työkalu on ollut käyttämättä yhden minuutin ajan.

Laikansuojuksen säätäminen

Pitele laikansuojuksen kahvasta ja säädä laikansuojus työlle sopivaan asentoon.

► **Kuva7:** 1. Laikansuojuksen kahva

Aktiivinen palautteentunnistustekniikka

Työkalu havaitsee elektronisesti tilanteet, joissa laikka on vaarassa juuttua. Tässä tilanteessa työkalu pysähtyy automaattisesti karan pyörimisen estämiseksi (tämä ei estä takapotkua).

Voit käynnistää työkalun uudelleen sammuttamalla sen ensin, poistamalla syyn äkilliseen pyörimisnopeuden laskuun ja käynnistämällä työkalun.

Sähköjarru

Mekaaninen jarru aktivoituu työkalun virran katkeamisen jälkeen.

Jarru ei toimi, jos virtalähteen virta katkaistaan, esimerkiksi jos akku irrotetaan vahingossa, mutta laitteen virtakytkin on päällä.

KOKOONPANO

HUOMIO: Varmista aina ennen mitään työkalulle tehtäviä toimenpiteitä, että se on sammutettu ja akku irrotettu.

Timanttilaikan asennus ja irrotus

HUOMIO: Käytä aikain irrottamiseen ja kiinnittämiseen vain Makitan kiintoavainta.

HUOMIO: Kun asennat aikain, varmista, että olet kiristänyt pultin lujasti.

HUOMIO: Älä paina akselin lukkopainiketta aikain pyöriessä.

- Irrotta laikan, paina akselin lukkopainiketta ja pyöritä laikkaa niin pitkälle kuin se menee. Kun akselilukko on täysin lukittu, kierrä kuusiopulttia vastapäivään hylsyavaimella. Irrota sitten järjestyksessä kuusiopultti, laippa, laikka, rengas ja laippa.
- **Kuva8:** 1. Akselin lukkopainike 2. Hylsyavain 3. Kiristä 4. Löysää
- **Kuva9:** 1. Kuusiopultti 2. Laippa 3. Rengas 4. Timanttilaikka 5. Nuoli (laikan pyörimissuunta)

Voit asentaa laikan seuraamalla irrotusmenettelyä päinvastaisessa järjestyksessä.
VARMISTA, ETTÄ KIRISTÄT KUUSIOPULTIN TIUKASTI.

▲HUOMIO: Asenna laikka aina niin, että laikassa oleva nuoli osoittaa samaan suuntaan kuin laikansuojuksessa oleva nuoli. Muuten laikka pyörii taaksepäin, mikä voi aiheuttaa henkilövahinkoja.

▲HUOMIO: Käytä vain laikkoja, joihin merkitty nopeus on vähintään yhtä suuri tai suurempi kuin työkaluun merkitty nopeus.

HUOMAA: Kun asennat laikan, muista kiinnittää laipat niin, että laipan litteä puoli on laikkaa vasten, ja kiinnitä laikan sisähalkaisijaa vastaava rengas.

- **Kuva10:** 1. Kuusiopultti 2. Laippa 3. Rengas 4. Timanttilaikka

Pölynimurin kytkeminen

HUOMAUTUS: Sulje suojus aina, kun pölynimuria ei kytketä.

Jos haluat suorittaa leikkaustyön siististi, kytke työkaluun Makita-pölynimuri.

Avaa suojus ja kiinnitä pölynimurin letku.

- **Kuva11:** 1. Suojus 2. Pölysuutin 3. Letku 4. Pölynimuri

Voit muuttaa pölysuuttimen kulmaa kuvan mukaisesti.

- **Kuva12**

Letkuside

HUOMAUTUS: Irrota aina letkuside työkalusta, kun sitä ei käytetä.

HUOMAUTUS: Älä avaa tai sulje letkusidettä liikaa. Muutoin letkuside saattaa rikkoutua.

Letkuside voidaan kiinnittää pölynimurin letkun käsitte-
lyn helpottamiseksi.

1. Kiinnitä letkuside A tai letkuside B letkuun.

Tyyppi	Letkun soveltuva ulkohalkaisija
Letkuside A	ø 40 mm – ø 46 mm (ø 1-9/16" – ø 1-13/16")
Letkuside B	ø 35 mm – ø 40 mm (ø 1-3/8" – ø 1-9/16")

- **Kuva13:** 1. Letkuside A / letkuside B 2. Letku
2. Aseta letkusiteen tapit letkusiteen pidikkeen reikiin.

Varmista, että kaksi tappia ovat kunnolla reissä.

- **Kuva14:** 1. Tappi 2. Reikä 3. Letkusiteen pidike

3. Irrota letkuside noudattamalla asennusohjeita päinvastaisessa järjestyksessä.

Hylsyavaimen säilytys

Säilytä hylsyavainta kuvan osoittamassa paikassa, jotta se ei katoa.

- **Kuva15:** 1. Hylsyavain

TYÖSKENTELY

Alasuojuksen toiminnan tarkistus

Irrota akkupaketti.

Vedä alasuojus käsin ääriasettoon ja vapauta se.

Alasuojus toimii oikein, jos

- se liikkuu esteettömästi ja
- palaa automaattisesti alkuperäiseen asentoon.

- **Kuva16:** 1. Alasuojus

Jos alasuojus ei toimi oikein, tarkista, onko laikansuojuksen sisälle kertynyt pölyä.

Osa pölystä voidaan ehkä poistaa liikuttamalla alasuojasta ääriasetannosta toiseen useita kertoja.

Jos alasuojus ei toimi oikein pölyn poistamisenkaan jälkeen, huollata kone Makita-huollossa.

Epänormaalia ääntä koskeva huomautus

HUOMAUTUS: Älä käytä vääntynyttä tai vanhaa timanttilaikkaa. Muutoin seurauksena voi olla toimintahäiriö, epänormaalia ääntä tai rikkoutuminen.

Vaikka timanttilaikka olisi uusi ja suora, se saattaa aiheuttaa epänormaalia ääntä, kuten metallin kitkaa, kun työkalu käy alhaisella nopeudella. Tämä ei ole työkalun toimintahäiriö.

Eräät timanttilaikat saattavat tuottaa epänormaalia ääntä, kun työkalu käy alhaisella nopeudella. Se johdetaan siitä, että timanttilaikka ja laikansuojus ovat hyvin lähellä toisiaan tehokasta pölyn keräystä varten.

Käytä työkalua täydellä nopeudella ja leikkaa oikein. Epänormaali ääni vähenee.

Leikkaaminen

▲HUOMIO: Varmista, työkalupale pysyy varmasti paikallaan käytön aikana asettamalla se tukevalla penkillä tai pöydällä.

▲HUOMIO: Älä kierrä tai pakota työkalua leikkauksen aikana, tai moottori saattaa ylikuormittua tai työkalu saattaa rikkoutua.

▲HUOMIO: Älä nosta työkalua käytön aikana olkalinjaasi korkeammalle.

- **Kuva17**

1. Ota työkalusta pitävä ote. Tartu kahvaan oikealla kädellä ja etukahvaan vasemmalla kädellä. Jotta ei saa sähköiskuja, jos leikkaat vahingossa sähköjohdon, pidä etukahvasta aina kiinni vain kuvaan merkitystä osasta.

- **Kuva18:** 1. Osa, josta pidetään kiinni

2. Käynnistä työkalu ilman, että simanttilaikka osuu mihinkään, ja odota, että timanttilaikka saavuttaa täyden nopeuden.

3. Aseta timanttilaikka varovasti suoraan työkappaleeseen ja liu'uta työkalua tasaisesti taaksepäin, kunnes leikkaus on suoritettu.

- Pidä leikkuulinja suorana ja liu'utusnopeus tasaisena.

- Liu'uta työkalua alasuojuksessa olevan nuolen suuntaan.

Jos siirrä työkalua eteenpäin (nuolen vastakkaiseen suuntaan), pölynkeräysteho laskee huomattavasti.

► **Kuva19:** 1. Nuoli

- Jatka alasuojuksen painamista työkappaleeseen. Jos alasuojuksen ja työkappaleen väliin jää rako, pölyä vuotaa ja pölynkeräysteho laskee.

► **Kuva20:** 1. Alasuojus

HUOMAA: Jos akkupaketti on kylmä, työkalu ei ehkä toimi täydellä teholla. Silloin voit esimerkiksi käyttää työkalua kevyisiin tehtäviin, kunnes akkupaketti lämpenee huoneenlämpöiseksi. Sen jälkeen työkalua voidaan käyttää täydellä teholla.

HUOMAA: Jos timanttilaikan leikkuuteho alkaa heiketä, teroita laikan leikkausreunaa vanhaa pois heitettyä penkkihiomakoneen karheaa laikkaa tai betoniohkarettä vasten. Teroita painamalla kevyesti timanttilaikan lukoreunaan.

LANGATON AKTIVOINTITOIMINTO

Valinnainen lisävaruste

HUOMAUTUS: Asenna valinnainen pölysuojus ja lisävarusteet ennen tämän toiminnon käyttöä.

Mitä langattomalla aktivointitoiminnolla voi tehdä

Langaton aktivointitoiminto mahdollistaa puhtaan ja miellyttävän käyttötoiminnan. Liittämällä tuettu pölynimuri laitteeseen, voit käyttää pölynimuria automaattisesti yhdessä laitteen kytkintöiminnon kanssa.

► **Kuva21**

Langattoman aktivointitoiminnon käyttämiseksi valmiitele seuraavat kohdat:

- Langaton yksikkö (lisävaruste)
- Pölynimuri, joka tulee langatonta aktivointitoimintoa

Langattoman aktivointitoiminnon asetuksen kuvaus on seuraavana. Katso jokaisen osion yksityiskohtaiset ohjeet.

1. Langattoman yksikön asennus
2. Laitteen rekisteröinti pölynimurille
3. Langattoman aktivointitoiminnon aloitus

Langattoman yksikön asennus

Lisävaruste

▲HUOMIO: Aseta laite tasaisen ja vakaan pinnan päälle langattoman yksikön asentamiseksi.

HUOMAUTUS: Puhdista laitteesta pöly ja lika ennen langattoman yksikön asentamista. Pöly ja lika voivat aiheuttaa käyttöhäiriöitä päästessään langattoman yksikön uraan.

HUOMAUTUS: Staattisuudesta aiheutuvien käyttöhäiriöiden estämiseksi kosketa staattisesti purkautuvaa materiaalia, kuten laitteen metalliosia ennen langattoman yksikön nostamista.

HUOMAUTUS: Varmista aina langattoman yksikön asennuksen aikana, että langaton yksikkö on liitetty oikeassa suunnassa ja kansi on suljettu täysin kiinni.

1. Avaa laitteen kansi kuvan osoittamalla tavalla.

► **Kuva22:** 1. Kansi

2. Liitä langaton yksikkö uraan ja tämän jälkeen sulje kansi.

Langattoman yksikön liittämisen aikana kohdista kielekkeet uran loviosioihin.

► **Kuva23:** 1. Langaton yksikkö 2. Kieleke 3. Kansi 4. Loviosio

Avaa kansi hitaasti langattoman yksikön irrottamisen aikana. Kannen takana olevat koukut nostavat langattoman yksikön ylös samalla kun nostat kannen ylös.

► **Kuva24:** 1. Langaton yksikkö 2. Koukku 3. Kansi

Säilytä langatonta yksikköä mukana toimitetussa kotelossa tai ei staattisessa säiliössä sen irrottamisen jälkeen.

HUOMAUTUS: Käytä aina kannen takana olevia koukkuja langattoman yksikön irrottamisen aikana. Jos koukut eivät tartu langattomaan yksikköön, sulje kansi täysin kiinni ja avaa se hitaasti uudelleen.

Laitteen rekisteröinti pölynimurille

HUOMAA: Makita pölynimuri tukee langatonta aktivointitoimintoa, joka vaaditaan laiterekisteröintiä varten.

HUOMAA: Viimeistele langattoman yksikön asennus laitteeseen ennen laiterekisteröinnin aloittamista.

HUOMAA: Älä paina liipaisinkytkintä tai aseta pölynimurin virtakytkintä päälle laiterekisteröinnin aikana.

HUOMAA: Katso lisätietoja myös pölynimurin käyttöohjeesta.

Jos haluat aktivoida pölynimurin yhdessä laitteen kytkintöiminnon kanssa, viimeistele laiterekisteröinti ensin.

1. Asenna akut pölynimuriin ja laitteeseen.

2. Aseta pölynimurin valmiustilan kytkin asentoon "AUTO".

► **Kuva25:** 1. Valmiustilan kytkin

3. Paina pölynimurin langatonta aktivointipainiketta noin 3 sekunnin ajan, kunnes langattoman aktivoinnin merkkivalo vilkkuu vihreänä. Ja tämän jälkeen paina laitteen langatonta aktivointipainiketta samalla tavalla.
- **Kuva26:** 1. Langaton aktivointipainike
2. Langattoman aktivoinnin merkkivalo

Jos pölynimuri ja laite kytketään oikein, langattoman aktivoinnin merkkivalo palaa vihreänä 2 sekunnin ajan ja vilkkuu tämän jälkeen sinisenä.

HUOMAA: Langattoman aktivoinnin merkkivalo lopettaa vilkkumisen vihreänä 20 sekunnin kuluttua. Paina laitteen langatonta aktivointipainiketta samalla kun imurin langattoman aktivoinnin merkkivalo vilkkuu. Jos langattoman aktivoinnin merkkivalo ei vilku vihreänä, paina langatonta aktivointipainiketta lyhyesti ja pidä sitä painettuna alas.

HUOMAA: Suorittaessa kaksi tai useampaa laiterekisteröintiä yhdelle pölynimurille, lopeta laiterekisteröinti yksi kerrallaan.

Langattoman aktivointitoiminnon aloitus

HUOMAA: Viimeistele laiterekisteröinti pölynimurille ennen langatonta aktivointia.

HUOMAA: Katso lisätietoja myös pölynimurin käyttöohjeesta.

Kun laite on rekisteröity pölynimurille, pölynimuri toimii automaattisesti yhdessä laitteen kytkintoiminnon kanssa.

1. Langattoman yksikön asennus laitteeseen.
2. Kiinnitä pölynimurin letku laitteeseen.
► **Kuva27**
3. Aseta pölynimurin valmiustilan kytkin asentoon "AUTO".
► **Kuva28:** 1. Valmiustilan kytkin
4. Paina laitteen langatonta aktivointipainiketta lyhyesti. Langattoman aktivoinnin merkkivalo vilkkuu sinisenä.
► **Kuva29:** 1. Langaton aktivointipainike
2. Langattoman aktivoinnin merkkivalo
5. Kytke laite päälle. Tarkista, pyöriikö pölynimuri laitteen toimiessa.

Lopeta pölynimurin langaton aktivointi painamalla laitteen langatonta aktivointipainiketta.

HUOMAA: Laitteen langattoman aktivoinnin merkkivalo lopettaa vilkkumisen sinisenä, jos mitään toimintoa ei ole suoritettu 2 tunnin aikana. Tässä tapauksessa aseta pölynimurin valmiustilan kytkin asentoon "AUTO" ja paina uudelleen laitteen langatonta aktivointipainiketta.

HUOMAA: Pölynimuri käynnistyy/sammuu viiveellä. Käytössä on aikaviive kun pölynimuri tunnistaa laitteen kytkintoiminnon.


HUOMAA: Langattoman yksikön lähetysetäisyys voi vaihdella riippuen sijainnista ja ympäristön olosuhteista.

HUOMAA: Jos yhteen pölynimuriin on rekisteröity kaksi tai useampia laitteita, pölynimuri voi käynnistyä, vaikka laite ei ole päällä. Tämä johtuu siitä, että toinen henkilö käyttää langatonta aktivointitoimintoa.

Langattoman aktiivoinnin merkivalon tilan kuvaus

► Kuva30: 1. Langattoman aktiivoinnin merkivalo

Langattoman aktiivoinnin merkivalo osoittaa langattoman aktiivitoiminnan tilan. Katso merkivalon tilaa koskeva tarkoitussuoritus alapuolella olevasta taulukosta.

Tila	Langattoman aktiivoinnin merkivalo				Kuvaus
	Väri	 Päällä	 Viikkuu	Kesto	
Valmiustila	Sininen			2 tuntia	Pölynimurin langaton aktiivointi on käytettävissä. Merkivalo sammuu automaattisesti jos mitään toimintaa ei ole suoritettu 2 tunnin aikana.
				Kun laite on käynnissä.	Pölynimurin langaton aktiivointi on käytettävissä ja laite on käynnissä.
Laiterekisteröinti	Vihreä			20 sekuntia	Valmis laiterekisteröintiä varten. Odottaa rekisteröintiä pölynimurilla.
				2 sekuntia	Laiterekisteröinti on valmis. Langattoman aktiivoinnin merkivalo vilkkuu sinisenä.
Laiterekisteröinnin peruutus	Punainen			20 sekuntia	Valmis laiterekisteröinnin peruutukseen. Odottaa peruutusta pölynimurilla.
				2 sekuntia	Laiterekisteröinnin peruutus on valmis. Langattoman aktiivoinnin merkivalo vilkkuu sinisenä.
Muut	Punainen			3 sekuntia	Langattomalle yksikölle syötetään virtaa ja langaton aktiivitoiminto käynnistyy.
	Pois päältä	-		-	Pölynimurin langaton aktiivointi on pysäytetty.

Laiterekisteröinnin peruutus pölynimurille

Suorita seuraavat toimenpiteet peruuttaessasi laiterekisteröinnin pölynimurille.

1. Asenna akut pölynimuriin ja laitteeseen.
2. Aseta pölynimurin valmiustilan kytkin asentoon "AUTO".

► Kuva31: 1. Valmiustilan kytkin

3. Paina pölynimurin langatonta aktiivointipainiketta 6 sekunnin ajan. Langattoman aktiivoinnin merkivalo vilkkuu vihreänä ja tämän jälkeen punaisena. Tämän jälkeen paina laitteen langatonta aktiivointipainiketta samalla tavalla.

- Kuva32: 1. Langaton aktiivointipainike
2. Langattoman aktiivoinnin merkivalo

Jos peruutus suoritetaan oikein, langattoman aktiivoinnin merkivalo palaa punaisena 2 sekunnin ajan ja vilkkuu tämän jälkeen sinisenä.

HUOMAA: Langattoman aktiivoinnin merkivalo lopettaa vilkkumisen punaisena 20 sekunnin kuluttua. Paina laitteen langatonta aktiivointipainiketta samalla kun imurin langattoman aktiivoinnin merkivalo vilkkuu. Jos langattoman aktiivoinnin merkivalo ei vilkkuu punaisena, paina langatonta aktiivointipainiketta lyhyesti ja pidä sitä painettuna alas.

Langattoman aktiivointitoiminnon vianetsintä

Tarkista laite ensin itse, ennen kuin viet sen korjattavaksi. Jos ongelmaan ei löydy ratkaisua käyttöoppaasta, älä kuitenkaan yritä purkaa työkalua osiin. Ota sen sijaan yhteyttä Makita-huoltoliikkeeseen. Käytä korjaamiseen aina alkuperäisiä Makita-varaosia.

Epänormaali tila	Todennäköinen syy (toimintahäiriö)	Korjaus
Langattoman aktiivoinnin merkivalo ei pala/vilkkuu.	Langatonta yksikköä ei ole asennettu laitteeseen. Langaton yksikkö on asennettu virheellisesti laitteeseen.	Asenna langaton yksikkö oikein.
	Langattoman yksikön liitäntä ja/tai ura on likainen.	Pyyhi langattoman yksikön liitäntä varovaisesti pölystä ja liasta ja puhdista ura.
	Laitteen langatonta aktiivointipainiketta ei ole painettu.	Paina laitteen langatonta aktiivointipainiketta lyhyesti.
	Pölynimurin valmiustilan kytkintä ei ole asetettu asentoon "AUTO".	Aseta pölynimurin valmiustilan kytkin asentoon "AUTO".
	Ei virransyöttöä	Syötä virtaa laitteelle ja pölynimurille.
Laiterekisteröintiä/laiterekisteröinnin peruutusta ei voi viimeistellä oikein.	Langatonta yksikköä ei ole asennettu laitteeseen. Langaton yksikkö on asennettu virheellisesti laitteeseen.	Asenna langaton yksikkö oikein.
	Langattoman yksikön liitäntä ja/tai ura on likainen.	Pyyhi langattoman yksikön liitäntä varovaisesti pölystä ja liasta ja puhdista ura.
	Pölynimurin valmiustilan kytkintä ei ole asetettu asentoon "AUTO".	Aseta pölynimurin valmiustilan kytkin asentoon "AUTO".
	Ei virransyöttöä	Syötä virtaa laitteelle ja pölynimurille.
	Virheellinen toiminta	Paina langatonta aktiivointipainiketta lyhyesti ja suorita laiterekeröinti/peruutus uudelleen.
	Laite ja pölynimuri ovat kaukana toisistaan (lähetyalueen ulkopuolella).	Siirrä laite ja pölynimuri lähemmäksi toisiaan. Maksimilähetyetäisyys on noin 10 m, mutta se voi kuitenkin vaihdella olosuhteista riippuen.
	Ennen laitteen rekisteröimistä/peruutusta: - laitteen kytkin on päällä, tai; - pölynimurin virtakytkin on päällä.	Paina langatonta aktiivointipainiketta lyhyesti ja suorita laiterekeröinti/peruutus uudelleen.
	Laiterekisteröintiä laitteelle tai pölynimurille ei ole viimeistely.	Suorita laiterekeröinti sekä laitteelle että pölynimurille samanaikaisesti.
	Muiden laitteiden aiheuttama radiohäiriö voi muodostaa erittäin voimakkaita radioaaltoja.	Pidä laite ja pölynimuri kaukana laitteista, kuten Wi-Fi-laitteet ja mikroaaltouunit.
	Pölynimuri ei toimi yhdessä laitteen kytkintöiminnon kanssa.	Langatonta yksikköä ei ole asennettu laitteeseen. Langaton yksikkö on asennettu virheellisesti laitteeseen.
Langattoman yksikön liitäntä ja/tai ura on likainen.		Pyyhi langattoman yksikön liitäntä varovaisesti pölystä ja liasta ja puhdista ura.
Laitteen langatonta aktiivointipainiketta ei ole painettu.		Paina langatonta aktiivointipainiketta lyhyesti ja varmista, että langattoman aktiivoinnin merkivalo vilkkuu sinisenä.
Pölynimurin valmiustilan kytkintä ei ole asetettu asentoon "AUTO".		Aseta pölynimurin valmiustilan kytkin asentoon "AUTO".
Yli 10 laitetta on rekisteröity pölynimurille.		Suorita laiterekeröinti uudelleen. Jos yli 10 laitetta on rekisteröity pölynimurille, aikaisemmin rekisteröity laite peruutetaan automaattisesti.
Pölynimuri poistaa kaikki laiterekeröinnit.		Suorita laiterekeröinti uudelleen.
Ei virransyöttöä		Syötä virtaa laitteelle ja pölynimurille.
Laite ja pölynimuri ovat kaukana toisistaan (lähetyalueen ulkopuolella).		Siirrä laite ja pölynimuri lähemmäksi toisiaan. Maksimilähetyetäisyys on noin 10 m, mutta se voi kuitenkin vaihdella olosuhteista riippuen.
Muiden laitteiden aiheuttama radiohäiriö voi muodostaa erittäin voimakkaita radioaaltoja.		Pidä laite ja pölynimuri kaukana laitteista, kuten Wi-Fi-laitteet ja mikroaaltouunit.
Pölynimuri pyörii, vaikka laite ei toimi.	Muut käyttäjät käyttävät pölynimurin langatonta aktiivointia heidän laitteillaan.	Katkaise muiden laitteiden langaton aktiivointipainike tai peruuta muiden laitteiden laiterekeröinti.

KUNNOSSAPITO

⚠HUOMIO: Varmista aina ennen tarkastusta tai huoltoa, että työkalu on sammutettu ja akku irrotettu.

HUOMAUTUS: Älä koskaan käytä bensiiniä, ohenteita, alkoholia tai tms. aineita. Muutoin pinta voi halkeilla tai sen värit ja muoto voivat muuttua. Muutoin laitteeseen voi tulla värjäytymiä, muodon vääristymiä tai halkeamia.

Tuotteen TURVALLISUUDEN ja LUOTETTAVUUDEN takaamiseksi korjaukset, muut huoltotyöt ja säädöt on teetettävä Makitan valtuutetussa huoltopisteessä Makitan varaosia käyttäen.

Työkalun puhdistaminen

HUOMAUTUS: Älä pese työkalua vedellä.

Poista akkupaketit ja laikka aina käytön jälkeen ja puhdista sitten kertynyt pöly ja lika laikansuojuksen sisäpinnalta. Puhdista työkalun runko pyyhkimällä pöly ja lika pois kuivalla tai saippuvedellä kostutetulla ja nihkeäksi väännetyllä liinalla. Pyyhi lika lampun linssistä kuivalla liinalla. Varo naarmuttamasta lampun linssiä, ettei valoteho laske.

► **Kuva33:** 1. Laikansuojus 2. Lampun linssi

Ilma-aukkojen puhdistaminen

Puhdista työkalun ilma-aukot säännöllisesti tai aina kun ne alkavat tukkeutua.

► **Kuva34:** 1. Ilmanvaihtoaukko

Synkronihinnan vaihtaminen

1. Irrota akkupaketit ja laikka.
2. Avaa kuusiokantapultit kuusioavaimen kärjellä ja irrota kansi.
► **Kuva35:** 1. Hylsyavain 2. Kuusiokantapultti 3. Kansi
3. Paina akselin lukkopainiketta ja pidä sitä alhaalla, jotta suuri pylpyrä lukkiutuu, ja käännä sitten mutteria vastapäivään hylsyavaimen ohuella päällä.
► **Kuva36:** 1. Suuri pylpyrä 2. Akselin lukkopainike
4. Paina akselin lukkopainiketta ja pidä sitä alhaalla, jotta suuri pylpyrä lukkiutuu, ja käännä sitten pientä kiekkoa vastapäivään hylsyavaimen paksulla päällä, jotta synkronihinna löystyy.
► **Kuva37:** 1. Akselin lukkopainike 2. Suuri pylpyrä 3. Pieni kiekko
5. Irrota hihna.
6. Kun hinnan urat osoittavat sisäänpäin, kiinnitä hinnan toinen pää pieneen pylpyrään ja sitten hinnan toinen pää suureen pylpyrään.
► **Kuva38:** 1. Hihna 2. Suuri pylpyrä 3. Pieni pylpyrä

7. Paina akselin lukkopainiketta ja pidä sitä alhaalla, jotta suuri pylpyrä lukkiutuu, ja käännä sitten pientä kiekkoa myötäpäivään hylsyavaimen paksulla päällä, jotta synkronihinna kiristyy.

► **Kuva39:** 1. Akselin lukkopainike 2. Suuri pylpyrä

HUOMAA: Varmista, että pieni kiekko on kuvan mukaisessa asennossa.

► **Kuva40:** 1. Pieni kiekko

8. Paina akselin lukkopainiketta ja pidä sitä alhaalla, jotta suuri pylpyrä lukkiutuu, ja käännä sitten mutteria myötäpäivään hylsyavaimen ohuella päällä.

► **Kuva41:** 1. Akselin lukkopainike

HUOMAA: Kun kiristät mutteria, käytä kiristysvoimaa 19-21 N•m.

9. Kiinnitä kansi ja kiristä sitten kuusiokantapultit hylsyavaimen kärjellä.

► **Kuva42:** 1. Hylsyavain 2. Kuusiokantapultti 3. Kansi

VIANMÄÄRITYS

Tarkista laite ensin itse, ennen kuin viet sen korjattavaksi. Jos ongelmaan ei löydy ratkaisua käyttöoppaasta, älä kuitenkaan yritä purkaa työkalua osiin. Ota sen sijaan yhteyttä Makita-huoltoliikkeeseen. Käytä korjaamiseen aina alkuperäisiä Makita-varaosia.

Epänormaali tila	Todennäköinen syy (toimintahäiriö)	Korjaus
Moottori ei käy.	Akkupaketteja ei ole asennettu.	Asenna kaksi akkupakettia paikoilleen. Tämä työkalu ei toimi vain yhdellä akkupaketilla.
	Akkuongelma (alijännite)	Lataa akku uudelleen. Jos lataaminen ei toimi tehokkaasti, vaihda akkupakettia.
	Vetojärjestelmä ei toimi oikein.	Pyydä valtuutettua huoltoliikettäsi korjaamaan laite.
Moottori pysähtyy lyhyen käytön jälkeen.	Akun varaustila on alhainen.	Lataa akku uudelleen. Jos lataaminen ei toimi tehokkaasti, vaihda akkupakettia.
	Ylikuumeneminen.	Lopeta työkalun käyttö ja anna sen jäähtyä.
Laikan pyörimisliike ei nopeudu oikein, vaikka työkalua käytetään kuormittamatta 20 sekunnin ajan.	Akkua ei ole asennettu oikein.	Asenna akkupaketit tässä käyttöoppaassa kuvatulla tavalla.
	Akun teho laskee.	Lataa akkupaketit uudelleen. Ellei uudelleenlataaminen auta, vaihda akkupaketti.
	Synkronihihna luistaa.	Vaihda synkronihhna uuteen.
	Vetojärjestelmä ei toimi oikein.	Pyydä valtuutettua huoltoliikettäsi korjaamaan laite.
Laikka ei pyöri: ⇒ Pysäytä kone välittömästi!	Synkronihihna luistaa.	Vaihda synkronihhna uuteen.
	Vieras esine on jumittunut suojuksen ja laikan väliin.	Irrota akkupaketit ja poista sitten vierasesine.
	Vetojärjestelmä ei toimi oikein.	Pyydä valtuutettua huoltoliikettäsi korjaamaan laite.
Epänormaali värinä: ⇒ Pysäytä kone välittömästi!	Laikka on kiinnitetty väärin.	Asenna laikka tämän käsikirjan ohjeiden mukaan. Kiinnitä laikka tiukasti kiristämällä pultti.
	Vetojärjestelmä ei toimi oikein.	Pyydä valtuutettua huoltoliikettäsi korjaamaan laite.
Leikkuutyökalua ja moottoria ei voi pysäyttää: ⇒ Poista akkupaketti välittömästi!	Sähköinen tai elektroninen toimintahäiriö.	Irrota akkupaketit ja pyydä valtuutettua huoltoliikettäsi korjaamaan ne.
Työkalu leikkaa heikosti	On aika vaihtaa laikka.	Vaihda laikka uuteen.
Pölynimurin heikko imuteho.	Pölynimurin suodatin on tukkeutunut.	Puhdista suodatin. Jos suodattimen puhdistaminen ei korjaa ongelmaa, vaihda suodatin.
Alasuojus ei toimi oikein.	Laikansuojuksen sisälle on kertynyt pölyä.	Vedä alasuojus ääriasentoon ja palauta se useita kertoja.

LISÄVARUSTEET

⚠HUOMIO: Seuraavia lisävarusteita tai laitteita suositellaan käytettäväksi tässä ohjeessa kuvatun Makita-työkalun kanssa. Muiden lisävarusteiden tai laitteiden käyttö voi aiheuttaa henkilövahinkoja. Käytä lisävarusteita ja -laitteita vain niiden käyttötarkoituksen mukaisesti.

Jos tarvitset apua tai yksityiskohtaisempia tietoja seuraavista lisävarusteista, ota yhteys paikalliseen Makitan huoltoon.

- Timanttilaikka
- Rengassarja
- Synkronihhna
- Hylsyvain
- Langaton yksikkö
- Aito Makitan akku ja laturi

HUOMAA: Jotkin luettelossa mainitut varusteet voivat sisältyä työkalun toimitukseen vakiovarusteina. Ne voivat vaihdella maittain.

SPECIFIKATIONER

Model:	CE002G
Skivediameter	350 - 355 mm
Maks. skivetykkelse	4,0 mm
Maks. skæredybde	127 mm
Mærkehastighed	4.200 min ⁻¹
Mærkespænding	D.C. 72 V - 80 V maks.
Anbefalet luftvolumen for støvsugerens	Lig med eller større end 1,8 m ³ /min
Længde i alt	825 mm
Nettovægt	13,1 - 15,1 kg

- På grund af vores kontinuerlige forsknings- og udviklingsprogrammer kan hosstående specifikationer blive ændret uden varsel.
- Specifikationer kan variere fra land til land.
- Vægten kan være anderledes afhængigt af tilbehøret, inklusive akkuen. Den letteste og tungeste kombination i henhold til EPTA-procedure 01/2014 er vist i tabellen.

Anvendelig akku og oplader



Akku	BL4040 / BL4050F* / BL4080F* * : Anbefalet batteri
Oplader	DC40RA / DC40RB / DC40RC

- Nogle af de akkuer og opladere, der er angivet ovenfor, er muligvis ikke tilgængelige, afhængigt af hvilket område du bor i.

⚠ ADVARSEL: Brug kun de akkuer og opladere, der er angivet ovenfor. Brug af andre akkuer og opladere kan medføre personskade og/eller brand.

Symboler

Følgende viser de symboler, der muligvis anvendes til udstyret. Sørg for, at du forstår deres betydning før brugen.

	Læs brugsanvisningen.
	Bær sikkerhedsbriller.
	Brug ikke en slibende afskæringsskive. Der kan kun anvendes diamantskiver.
	Skær ikke i metal.
	Tilfør ikke vand.



Kun for lande inden for EU
På grund af tilstedeværelsen af farlige komponenter i udstyret kan affald af elektrisk og elektronisk udstyr, akkumulatører og batterier have en negativ indvirkning på miljøet og folkesundheden.
Bortskaf ikke elektriske og elektroniske apparater eller batterier sammen med husholdningsaffald!
I overensstemmelse med EF-direktiv om affaldshåndtering af elektrisk og elektronisk udstyr og om akkumulatører og batterier og affaldsakkumulatører og -batterier, og i overensstemmelse med national lovgivning, skal brugt elektrisk udstyr, batterier og akkumulatører opbevares separat og leveres til et separat indsamlingssted for kommunalt affald, der er etableret i henhold til bestemmelserne om miljøbeskyttelse. Dette er angivet ved symbolet på den krydsede skraldespand, der er placeret på udstyret.

Tilsløget anvendelse

Maskinen er beregnet til at skære i murværksmaterialer med en diamantskive.

Det typiske A-vægtede støjniveau bestemt i overensstemmelse med EN60745-2-22:

Lydtrykniveau (L_{pA}): 106 dB (A)

Lydeffektniveau (L_{WA}): 117 dB (A)

Usikkerhed (K): 3 dB (A)

BEMÆRK: De(n) angivne støjemissionsværdi(er) er målt i overensstemmelse med en standardtestmetode og kan anvendes til at sammenligne en maskine med en anden.

BEMÆRK: De(n) angivne støjemissionsværdi(er) kan også anvendes i en præliminær eksponeringsvurdering.

⚠ ADVARSEL: Bær høreværn.

⚠ ADVARSEL: Støjmissionen under den faktiske anvendelse af maskinen kan være forskellig fra de(n) angivne værdi(er), afhængigt af den måde hvorpå maskinen anvendes, især den type arbejdsemne der behandles.

⚠ ADVARSEL: Sørg for at identificere de sikkerhedsforskrifter til beskyttelse af operatøren, som er baseret på en vurdering af eksponering under de faktiske brugsforhold (med hensyntagen til alle dele i brugscyklussen, f.eks. de gange, hvor maskinen er slukket, og når den kører i tomgang i tilgift til afbrydertiden).

Vibration

Arbejdstilstand: skæring i beton

Venstre hånd		Højre hånd		Gældende standard
$a_{h,w}$ (m/s^2)	Usikkerhed K (m/s^2)	$a_{h,w}$ (m/s^2)	Usikkerhed K (m/s^2)	
$\leq 2,5$	1,5	$\leq 2,5$	1,5	EN60745-2-22

BEMÆRK: De(n) angivne totalværdi(er) for vibration er målt i overensstemmelse med en standardtestmetode og kan anvendes til at sammenligne en maskine med en anden.

BEMÆRK: De(n) angivne totalværdi(er) for vibration kan også anvendes i en præliminær eksponeringsvurdering.

⚠ ADVARSEL: Vibrationsemissionen under den faktiske anvendelse af maskinen kan være forskellig fra de(n) angivne værdi(er), afhængigt af den måde hvorpå maskinen anvendes, især den type arbejdsemne der behandles.

⚠ ADVARSEL: Sørg for at identificere de sikkerhedsforskrifter til beskyttelse af operatøren, som er baseret på en vurdering af eksponering under de faktiske brugsforhold (med hensyntagen til alle dele i brugscyklussen, f.eks. de gange, hvor maskinen er slukket, og når den kører i tomgang i tilgift til afbrydertiden).

Overensstemmelseserklæringer

Kun for lande i Europa

Overensstemmelseserklæringerne er inkluderet i Bilag A i denne brugsanvisning.

SIKKERHEDSADVARSLER

Almindelige sikkerhedsregler for el-værktøj

⚠ ADVARSEL Læs alle sikkerhedsadvarsler, instruktioner, illustrationer og specifikationer, der følger med denne maskine. Hvis du ikke følger alle nedenstående instruktioner, kan det medføre elektrisk stød, brand og/eller alvorlig personskade.

Gem alle advarsler og instruktioner til fremtidig reference.

Ordet "el-værktøj" i advarslerne henviser til det netforsyede (netledning) el-værktøj eller batteriforsyede (akku) el-værktøj.

Sikkerhedsadvarsler for akku sav

Sikkerhedsadvarsler for afskæringsværktøj

1. **Den beskyttelsesskærm, der følger med værktøjet, skal monteres forsvarligt på værktøjet og placeres, så maksimal sikkerhed opnås, således at operatøren er udsat for den mindst mulige del af skiven. De selv og omkringstående må ikke stå i den roterende skives plan. Beskyttelsesskærmen bidrager til at beskytte operatøren mod afbrækkede skivefragmenter og utilsigtet kontakt med skiven.**
2. **Anvend kun diamantafskæringsskiver til din maskine.** Selvom tilbehøret kan monteres på maskinen, kan sikker betjening ikke garanteres.
3. **Tilbehørets mærkehastighed skal mindst være den samme som den maksimale hastighed, som er angivet på værktøjet.** Tilbehørsdele, som kører hurtigere end deres mærkehastighed, kan brække og slynges bort.
4. **Skiver må kun anvendes til de anbefalede opgaver.** For eksempel: Slib ikke med siden af afskæringsskiven. Afskæringsskiver er beregnet til perifer slibning, og sidekræfter, der påføres disse skiver, kan få dem til at gå i stykker.

5. **Anvend altid ubeskadigede skiveflanger, som har den rigtige diameter, til den valgte skive.** Korrekte skiveflanger understøtter skiven, hvilket reducerer risikoen for, at skiven brækker.
6. **Den udvendige diameter og tykkelsen på Deres tilbehør skal være inden for værktøjets kapacitetsnormering.** Tilbehør af forkert størrelse kan ikke beskyttes eller kontrolleres på tilstrækkelig vis.
7. **Skivernes og flangernes dornstørrelse skal passe nøjagtigt til maskinens spindel.** Skiver og flanger med dornhuller, som ikke passer til maskinens monteringsdele, vil køre ubalanceret, vibrere kraftigt og kan bevirke, at du mister herredømmet over maskinen.
8. **Anvend ikke beskadigede skiver. Inden hver brug skal De eftersøge skiverne for hakker og revner. Hvis værktøjet eller skiven har været tabt, skal de efterses for beskadigelse, eller der skal monteres en ubeskadiget skive. Når skiven er efterset og monteret, skal De og eventuelle omkringstående stille Dem uden for den roterende skives plan og derefter lade værktøjet køre ved maksimal hastighed uden belastning i et minut.** Beskadigede skiver vil normalt brække i løbet af denne testperiode.
9. **Anvend altid personligt beskyttelsesudstyr. Afhængigt af arbejdets art skal De anvende ansigtsmaske, beskyttelsesbriller eller sikkerhedsbriller. Efter behov skal der anvendes støvmaske, høreværn, handsker og beskyttelsesforklæde, som er i stand til at stoppe små fragmenter fra slibeskiven eller arbejdsområdet.** Øjenbeskyttelsen skal kunne stoppe flyvende partikler, som frembringes af forskellige betjening. Støvmasken eller åndedrætsværnet skal være i stand til at filtrere partikler, som frembringes under arbejdet. Længere tids udsættelse for støj af høj intensitet kan medføre høreskader.
10. **Sørg for at holde omkringstående på en sikker afstand af arbejdsområdet. Enhver person, som befinder sig i arbejdsområdet, skal bære personligt beskyttelsesudstyr.** Fragmenter fra arbejdsområdet eller fra en brækket skive kan slynges af og forårsage personskade uden for det umiddelbare arbejdsområde.
11. **Hold udelukkende maskinen i de isolerede grebflader, når der udføres et arbejde, hvor det skærende tilbehør kan komme i kontakt med skjulte ledninger.** Skæretilbehør, som kommer i kontakt med en strømførende ledning, kan gøre blottede metaldele på maskinen strømførende og udgøre en risiko for, at operatøren får elektrisk stød.
12. **Læg ikke værktøjet fra Dem, før tilbehøret er helt stoppet.** Den roterende skive kan gribe fat i overfladen og trække værktøjet ud af Deres herredømme.
13. **Lad ikke værktøjet køre, mens De bærer det ved siden.** Utilsigtet kontakt med det roterende tilbehør kan bevirke, at det griber fat i Deres tøj og trækker tilbehøret ind mod Deres krop.
14. **Rengør værktøjets ventilationsåbninger med jævne mellemrum.** Motorens ventilator vil suge støv ind i huset, og en stor mængde akkumuleret metalstøv kan forårsage elektrisk fare.

15. **Anvend ikke værktøjet i nærheden af brændbare materialer.** Gnister kan antænde disse materialer.
16. **Anvend ikke tilbehør, der kræver flydende kølemidler.** Anvendelse af vand eller andre flydende kølemidler kan medføre elektrisk aflivning eller stød.

Tilbageslag og relaterede advarsler

Tilbageslag er en pludselig reaktion på en fastklemt eller blokeret roterende skive. Fastklemning eller blokering medfører, at den roterende skive pludseligt stopper, hvilket igen bevirker, at det ukontrollerede værktøj tvinges i den modsatte retning af skivens rotation på det punkt, hvor den sidder fast.

Hvis for eksempel en skive er blokeret eller fastklemt af arbejdsområdet, kan kanten på skiven, som går ind i fastklemningspunktet, grave sig ind i materialets overflade og derved bevirke, at skiven kommer ud eller presses ud. Skiven kan enten springe mod eller væk fra operatøren, afhængigt af retningen af skivens bevægelse på det sted, hvor den klemmes. Skiver kan også gå i stykker under disse forhold.

Tilbageslag er et resultat af misbrug og/eller fejlagtig brug af værktøjet eller ukorrekte brugsforhold og kan undgås ved, at man tager de rigtige forholdsregler som anvist herunder.

1. **Hold godt fast i værktøjet, og indtag en stilling med kroppen og armen, således at De kan modstå tilbageslagskraften.** Anvend altid hjælpehåndtaget, hvis et sådant forefindes, til at opnå den maksimale kontrol med tilbageslag eller torsionsreaktion under starten. Operatøren kan kontrollere torsionsreaktionen og tilbageslagskraften, hvis de rette forholdsregler tages.
2. **Anbring ikke hånden i nærheden af det roterende tilbehør.** Tilbehøret kan slå tilbage hen over hånden.
3. **Stil Dem ikke på linje med den roterende skive.** Et tilbageslag vil slynge værktøjet i den modsatte retning af skivens bevægelse ved blokeringspunktet.
4. **Vær særligt forsigtig ved arbejde på hjørner, skarpe kanter osv. Sørg for, at tilbehøret ikke hopper eller sætter sig fast.** Hjørner, skarpe kanter eller hoppen har en tendens til at fastklemme det roterende tilbehør med tab af kontrol eller tilbageslag til følge.
5. **Lad være med at montere en savkæde, træskæreklinge, segmenteret diamantskive med et perfekt mellemrum på mere end 10 mm (3/8") eller en savklinge med tænder.** Sådanne klinger skaber hyppige tilbageslag og tab af kontrol.
6. **Vær påpasselig med ikke at "klemme" skiven eller udsætte den for et ekstremt tryk. Forsøg ikke at udføre en for dyb skæring.** Overbelastning af skiven øger belastningen og sandsynligheden for, at skiven vricker eller binder i snittet, samt risiko for tilbageslag, eller at skiven brækker.
7. **Hvis skiven binder, eller hvis en skæring af en eller anden grund afbrydes, skal De slukke for værktøjet og holde det stille, indtil det er stoppet helt. Forsøg aldrig at fjerne skiven fra snittet, mens skiven er i bevægelse, da dette kan medføre tilbageslag.** Tag bestik af situationen, og foretag det nødvendige for at eliminere årsagen til, at skiven binder.

8. Påbegynd ikke skæperationen igen i arbejdsemnet. Lad skiven komme op på fuld hastighed, og gå derefter forsigtigt ind i snittet igen. Skiven kan binde, bevæge sig opad eller slå tilbage, hvis værktøjet startes igen, mens det befinder sig i arbejdsemnet.
9. **Understøt paneler eller store arbejdsemner for at minimere risikoen for, at skiven binder, og der opstår tilbageslag.** Store arbejdsemner har tendens til at synke under deres egen vægt. Støtteanordninger skal anbringes under arbejdsemnet i nærheden af snittet og nær kanten på arbejdsemnet på begge sider af skiven.
10. **Udvis ekstra forsigtighed, når der laves et "lommensnit" i eksisterende vægge eller i andre blinde områder.** Den udragende skive kan komme til at skære i gas- eller vandrør, elektriske ledninger eller genstande, som kan forårsage tilbageslag.

Supplerende sikkerhedsadvarsler:

1. **Brug ikke en slibende afskæringsskive.** Ellers kan brand og/eller voldsom opvarmning muligvis forårsage forbrændingsskade.
2. **Skær ikke i metalgenstand.** Ellers kan brand og/eller voldsom opvarmning muligvis forårsage forbrændingsskade.
3. **Inden anvendelse af en segmenteret diamantskive skal du sørge for, at diamantskiven har et periferet mellemrum mellem segmenterne på 10 mm (3/8") eller derunder, kun med en negativ rivevinkel.**
4. **Forsøg aldrig at skære med værktøjet holdt på hovedet i en skruestik.** Dette kan medføre alvorlige ulykker, da det er yderst farligt.
5. **Nogle materialer indeholder kemikalier, som kan være giftige.** Vær påpasselig med at forhindre indånding af støv samt hudkontakt. Følg materialeleverandørens sikkerhedsdata.
6. **Opbevar skiverne i henhold til fabrikantens anbefalinger.** Fejlagtig opbevaring kan beskadige skiverne.
7. **Anvend altid den skive som passer til dit arbejde, og det materiale som skal skæres.**
8. **Undersøg det materiale som skal skæres inden skæring.** Hvis materialet indholder eksplosive eller brandbare materialer, kan det muligvis medføre en eksplosion eller brand.
9. **Tænd ikke for maskinen, hvis der sidder et fremmedlegeme fast mellem hjuldækslet og skiven.** I dette tilfælde skal du afmontere akkuen og fjerne fremmedlegemet.
10. **Brug skruetvinger eller lignende til at understøtte arbejdsemnet, når som helst det er muligt.**
11. **Brug altid høreværn under arbejdet.**
12. **Skær ikke i træmaterialer med denne maskine.**
13. **Den udvendige diameter og skivetykkelsen skal ligge inden for maskinens kapacitetsangivelse.** Forkert dimensionerede skiver kan ikke beskyttes eller kontrolleres tilstrækkeligt.
14. **Når du betjener maskinen, skal du opretholde et fast greb med begge hænder på maskinen og placere din krop og arm, så du kan modstå tilbageslagskræfter.**

15. **Hold hænderne eller ansigtet væk fra den roterende skive.**
16. **Juster hjuldækslet til en position, der er egnet til dit arbejde.**
17. **Gør ikke maskinen våd med vand, regn, mud og vandpytter.**
18. **Efterlad ikke maskinen uden opsyn udendørs.**
19. **Undgå direkte sollys og regn ved opbevaring af maskinen, og opbevar den på et sted, hvor det ikke bliver varmt eller fugtigt.**
20. **Rengør jævnligt filteret på støvsuger.**

GEM DISSE FORSKRIFTER.

⚠ ADVARSEL: LAD IKKE bekvemmelighed eller kendskab til produktet (opnået gennem gentagen brug) forhindre, at sikkerhedsforskrifterne for produktet nøje overholdes. **MISBRUG** eller forsømmelse af at følge de i denne brugsvejledning givne sikkerhedsforskrifter kan medføre alvorlig personskade.

Vigtige sikkerhedsinstruktioner for akkuen

1. **Læs alle instruktioner og advarselmærkater på (1) akku-opladeren, (2) akkuen og (3) produktet, som anvender akku.**
2. **Adskil eller ændr ikke akkuen.** Det kan muligvis resultere i en brand, overdreven varme eller eksplosion.
3. **Hold straks op med anvendelsen, hvis brugstiden er blevet stærkt afkortet.** Fortsat anvendelse kan resultere i risiko for overophedning, forbrændinger og endog eksplosion.
4. **Hvis De har fået elektrolytvæske i øjnene, skal De straks skylle den ud med rent vand og derefter øjeblikkeligt søge lægehjælp.** I modsat fald kan De miste synet.
5. **Vær påpasselig med ikke at komme til at kortslutte akkuen:**
 - (1) Rør ikke ved terminalerne med noget ledende materiale.
 - (2) Undgå at opbevare akkuen i en beholder sammen med andre genstande af metal, for eksempel søm, mønter og lignende.
 - (3) Udsæt ikke akkuen for vand eller regn. Kortslutning af akkuen kan forårsage en kraftig øgning af strømmen, overophedning, mulige forbrændinger og endog værktøjstop.
6. **Opbevar og brug ikke maskinen og akkuen på steder, hvor temperaturen muligvis kan nå eller overstige 50 °C.**
7. **Lad være med at brænde akkuen, selv ikke i tilfælde, hvor den har lidt alvorlig skade eller er fuldstændig udtjent.** Akkuen kan eksplodere, hvis man forsøger at brænde den.
8. **Slå ikke søm i, skær ikke i, knus, kast, tab ikke akkuen og stød ikke akkuen mod en hård genstand.** Sådan adfærd kan muligvis resultere i en brand, overdreven varme eller eksplosion.
9. **Anvend ikke en beskadiget akku.**

10. De indbyggede lithium-ion-batterier er underlagt lovkrav vedrørende farligt gods. Ved kommerciel transport, f.eks. af tredjeparts transportselskaber, skal særlige krav til forpakning og mærkning overholdes. Ved forberedelse af udstyret til forsendelse skal du kontakte en ekspert i farligt gods. Overhold også eventuel mere detaljeret national lovgivning. Tape eller tildæk åbne kontakter, og pak batteriet på en måde, så det ikke kan flytte sig rundt i pakningen.
11. Når akkuen bortskaftes, skal du fjerne den fra maskinen og bortskaft den på et sikkert sted. Følg de lokale love vedrørende bortskaftelsen af batterier.
12. Brug kun batterierne med de produkter, som Makita specificerer. Hvis batterierne installeres i ikke-kompatible produkter, kan det medføre brand, kraftig varme, eksplosion eller udsivning af elektrolyt.
13. Hvis maskinen ikke skal bruges i længere tid ad gangen, skal du fjerne batteriet fra maskinen.
14. Akkuen kan muligvis under og efter brug være varm, hvilket kan forårsage forbrændinger eller lavtemperaturforbrændinger. Vær påpasselig med håndtering af varme akkuer.
15. Rør ikke terminalen på maskinen straks efter brug, da den bliver varm nok til at forårsage forbrændinger.
16. Sørg for, at spåner, støv eller jord ikke sætter sig fast i akkuens terminaler, huller og riller. Det kan forårsage opvarmning, antændelse, sprængning og funktionsfejl i maskinen eller akkuen, hvilket kan medføre forbrændinger eller personskade.
17. Medmindre maskinen understøtter brugen i nærheden af elektriske højspændingsledninger, skal du ikke anvende akkuen i nærheden af elektriske højspændingsledninger. Det kan muligvis medføre funktionsfejl på eller nedbrud af maskinen eller akkuen.
18. Opbevar batteriet utilgængeligt for børn.

GEM DENNE BRUGSANVISNING.

⚠️ FORSIGTIG: Brug kun originale batterier fra Makita. Brug af uoriginale Makita-batterier, eller batterier som er blevet ændret, kan muligvis medføre brud på batteriet, hvilket kan forårsage brand, personskade eller beskadigelse. Det ugyldiggør også Makita-garantien for Makita-maskinen og opladeren.

Tips til opnåelse af maksimal akku-levetid

1. Oplad akkuen, inden den er helt afladet. Stop altid værktøjet, og oplad akkuen, hvis De bemærker, at værktøjeffekten er aftagende.
2. Genoplad aldrig en fuldt opladet akku. Overopladning vil afkorte akkuens levetid.
3. Oplad akkuen ved stuetemperatur ved 10 °C - 40 °C. Lad altid en varm akku få tid til at køle af, inden den oplades.
4. Når du ikke anvender akkuen, skal du fjerne den fra maskinen eller opladeren.
5. Oplad akkuen, hvis De ikke skal bruge den i længere tid (mere end seks måneder).

Vigtige sikkerhedsinstruktioner for trådløse enhed

1. Undlad at adskille eller ændre den trådløse enhed.
2. Opbevar den trådløse enhed utilgængeligt for små børn. Søg øjeblikkeligt læge, hvis den sluges ved et uheld.
3. Brug kun den trådløse enhed sammen med maskiner fra Makita.
4. Udsæt ikke den trådløse enhed for regn eller våde omgivelser.
5. Brug ikke den trådløse enhed på steder, hvor temperaturen overskrider 50 °C.
6. Brug ikke den trådløse enhed i nærheden af medicinske instrumenter som f.eks. pacemakere.
7. Brug ikke den trådløse enhed i nærheden af automatiske enheder. Hvis den bruges, kan automatiske enheder udvikle fejlfunktion eller fejl.
8. Undlad at betjene den trådløse enhed på steder med høje temperaturer eller steder, hvor der kan genereres statisk elektricitet eller elektrisk støj.
9. Den trådløse enhed kan frembringe elektromagnetiske felter (EMF), men de er ikke skadelige for brugeren.
10. Den trådløse enhed er et præcisionsinstrument. Undgå at tabe eller slå på den trådløse enhed.
11. Undgå at berøre terminalen på den trådløse enhed med de bare hænder eller metalliske materialer.
12. Tag altid batteriet ud af produktet, når den trådløse enhed monteres på det.
13. Når låget på åbningen åbnes, skal du undgå steder, hvor der kan komme støv eller vand ind i åbningen. Hold altid indgangen til åbningen ren.
14. Indsæt altid den trådløse enhed i den rigtige retning.
15. Undgå at trykke for hårdt på den trådløse aktiveringsknap på den trådløse enhed og/eller at trykke på knappen med en genstand med en skarp kant.
16. Luk altid låget på åbningen under brug.
17. Undlad at fjerne den trådløse enhed fra åbningen, når der er sluttet strøm til maskinen. Hvis du gør dette, kan det medføre funktionsfejl i den trådløse enhed.
18. Undlad at fjerne etiketten på den trådløse enhed.
19. Undlad at sætte nogen etiket på den trådløse enhed.
20. Lad ikke den trådløse enhed ligge på steder, hvor der kan genereres statisk elektricitet eller elektrisk støj.
21. Lad ikke den trådløse enhed ligge på steder, der er udsat for høj varme, for eksempel en bil, der står i solen.
22. Lad ikke den trådløse enhed ligge på et sted med støv eller pulver eller på et sted, hvor der kan udvikles ætsende gas.

23. En pludselig temperaturændring kan forårsage dug på den trådløse enhed. Brug ikke den trådløse enhed, før duggen er tørret helt bort.
24. Ved rengøring af den trådløse enhed skal den aftørres forsigtigt med en tør, blød klud. Brug ikke rensbenzin, fortynder, ledende fedtstof eller lignende.
25. Ved opbevaring af den trådløse enhed skal den opbevares i den medfølgende æske eller i en beholder, der er fri for statisk elektricitet.
26. Indsæt ikke andre enheder end den trådløse enhed fra Makita i åbningen på maskinen.
27. Undlad at bruge maskinen, hvis låget til åbningen er beskadiget. Vand, støv og snavs, der kommer ind i åbningen, kan forårsage fejlfunktion.
28. Undlad at trække og/eller vride låget til åbningen mere end nødvendigt. Sæt låget på igen, hvis det falder af maskinen.
29. Udskift låget til åbningen, hvis det bliver væk eller ødelægges.

GEM DISSE FORSKRIFTER.

BESKRIVELSE AF DELENE

► Fig.1

1	Diamantskive	2	Hjuldæksel	3	Hjuldækselgreb	4	Støvmundstykke
5	Forreste greb	6	Lampe	7	Akku	8	Låseknop
9	Trådløs aktiveringslampe	10	Trådløs aktiveringsknop	11	Nederste beskyttelseskærm	12	Hjul
13	Aksellåseknop	14	Dæksel (til kilerem)	15	Klemmeholder	16	Håndtag
17	Afbryderknop	18	Lampeknop	19	Overbelastningsindikator	20	Slangeklemme A
21	Slangeklemme B	22	Topnøgle	-	-	-	-

FUNKTIONSBESKRIVELSE

⚠FORSIGTIG: Sørg altid for at maskinen er slukket, og at akkuen er taget ud, før der udføres justering eller kontrol af funktioner på maskinen.

Isætning eller fjernelse af akkuen

⚠FORSIGTIG: Sluk altid for værktøjet, før De monterer eller fjerner akkuen.

⚠FORSIGTIG: Hold værktøjet og akkuen fast ved montering eller fjernelse af akkuen. Hvis De ikke holder værktøjet og akkuen fast, kan de glide ud af hænderne på Dem og forårsage beskadigelse af værktøjet og akkuen eller personskaade.

For at montere akkuen skal du justere tungen på akkuen med rillen i huset og skubbe den på plads. Indsæt den hele vejen, indtil den låses på plads med et lille klik. Hvis du kan se den røde indikator, som vist i figuren, er den ikke helt låst.

For at fjerne akkuerne skal du løfte akkuen, mens du trykker på knappen foran på akkuen.

► Fig.2: 1. Rød indikator 2. Knap 3. Akku

⚠FORSIGTIG: Monter altid akkuen helt, indtil den røde indikator ikke længere er synlig. Hvis dette ikke gøres, kan den falde ud af værktøjet ved et uheld, hvorved De selv eller personer i nærheden kan komme til skade.

⚠FORSIGTIG: Brug ikke magt ved montering af akkuen. Hvis akkuen ikke glider på plads uden problemer, betyder det, at den ikke sættes i på korrekt vis.

BEMÆRK: Maskinen fungerer ikke med kun én akku.

Indikation af den resterende batteriladning

Tryk på kontrolknappen på akkuen for at få vist den resterende batteriladning. Indikatorlampen lyser i nogle sekunder.

► Fig.3: 1. Indikatorlamper 2. Kontrolknap

Indikatorlamper			Resterende ladning
Tændt	Slukket	Blinker	
■ ■ ■ ■	□ □ □ □	□ □ □ □	75% til 100%
■ ■ ■ □	□ □ □ □	□ □ □ □	50% til 75%
■ ■ □ □	□ □ □ □	□ □ □ □	25% til 50%
■ □ □ □	□ □ □ □	□ □ □ □	0% til 25%
■ □ □ □	□ □ □ □	□ □ □ □	Genoplad batteriet.
■ ■ □ □	□ □ □ □	□ □ □ □	Der er muligvis fejl i batteriet.
□ □ □ □	■ ■ ■ ■	□ □ □ □	

BEMÆRK: Afhængigt af brugsforholdene og den omgivende temperatur kan indikationen afvige en smule fra den faktiske ladning.

BEMÆRK: Den første indikatorlampe (længst mod venstre) vil blinke, når batteribeskyttelsessystemet aktiveres.

Beskyttelsessystem til værktøj/batteri

Værktøjet er forsynet med et beskyttelsessystem til værktøj/batteri. Dette system afbryder automatisk strømmen til motoren for at forlænge levetiden for værktøjet og batteriet. Værktøjet stopper automatisk under driften, hvis det eller batteriet kommer i en af følgende situationer. I nogle tilfælde lyser indikatorerne.

Overbelastningsbeskyttelse

Hvis maskinen/batteriet bruges på en måde, der får den/det til at trække en unormalt høj strøm, stopper maskinen automatisk. Sluk i så fald for maskinen, og ophør med den anvendelse, som medførte, at maskinen blev overbelastet. Tænd derefter for maskinen for at starte den igen.

Beskyttelse mod overophedning

Når maskinen/batteriet er overophedet, stopper maskinen automatisk, og lampen blinker. I denne situation skal du lade maskinen køle ned, før du tænder for maskinen igen.

Beskyttelse mod afladning

Når batteriladningen bliver lav, stopper maskinen automatisk, og indikatorlampen på akkuen blinker. Hvis maskinen ikke fungerer, selvom kontakterne betjenes, skal du afmontere batterierne fra maskinen og oplade batterierne.

Beskyttelse mod andre årsager

Beskyttelsessystemet er også designet til andre årsager, der kan beskadige maskinen og gør det muligt for maskinen at stoppe automatisk. Træf alle følgende foranstaltninger for at fjerne årsagerne, når maskinen midlertidigt er blevet bragt til standsning eller stoppet i drift.

1. Sluk for maskinen, og tænd den igen for at genstarte.
2. Oplad batteriet/batterierne, eller udskift det/dem med genopladet/genopladede batteri/batterier.
3. Lad maskinen og batteriet/batterierne køle af.

Hvis der ikke kan findes nogen forbedring ved at gen-danne beskyttelsessystemet, skal det lokale Makita-servicecenter kontaktes.

BEMÆRKNING: Hvis maskinen stopper på grund af en årsag, der ikke er beskrevet ovenfor, henvises der til afsnittet om fejlfinding.

Advarsel om overbelastning

Hvis maskinen anvendes ved for stor belastning, blinker overbelastningsindikatoren rødt. Reducer i denne situation belastningen på maskinen. Indikatoren holder derefter op med at blinke.

► **Fig.4:** 1. Overbelastningsindikator

Afbryderbetjening

⚠ADVARSEL: Inden akkuen sættes i maskinen, bør De altid kontrollere, at afbryderknappen fungerer korrekt, og returnerer til "OFF"-positionen, når den slippes.

⚠ADVARSEL: Deaktivér ALDRIG lås fra-knappen ved at holde den nede med tape eller på andre måder. En afbryder med en deaktiveret lås fra-knap kan medføre utilsigtet brug og alvorlig personskade.

⚠ADVARSEL: Brug ALDRIG værktøjet, hvis det kører, når De blot trækker afbryderknappen uden at trykke på lås fra-knappen. En afbryder, der behøver at blive repareret, kan medføre utilsigtet funktion og alvorlig personskade. Returnér værktøjet til et Makita servicecenter for korrekt reparation, FØR det anvendes igen.

For at forhindre utilsigtet tryk på afbryderknappen er maskinen udstyret med en lås fra-knap. Maskinen startes ved at trykke lås fra-knappen ned og trykke på afbryderknappen. Slip afbryderknappen for at stoppe.
► **Fig.5:** 1. Afbryderknap 2. Lås fra-knap

BEMÆRKNING: Undlad at trække hårdt i afbryderknappen uden at trykke på lås fra-knappen. Dette kan ødelægge afbryderen.

Tænding af lampen

⚠FORSIGTIG: Kig aldrig direkte på lyskilden. Lad ikke lyset falde i Deres øjne.

For at tænde for lampen skal du trykke på lampeknap-pen. For at slukke skal du trykke på lampeknapen igen.
► **Fig.6:** 1. Lampeknap 2. Lampe

BEMÆRK: Lampen slukkes automatisk, hvis der ikke er nogen betjening af maskinen i et minut.

Justering af hjul dækslet

Hold i hjul dækselgrebet, og juster placeringen af hjul dækslet, så det passer til dit arbejde.

► **Fig.7:** 1. Hjul dækselgreb

Teknologi til aktiv registrering af feedback

Maskinen registrerer elektronisk situationer, hvor skiven kan risikere at blive bundet. I denne situation slukkes maskinen for at forhindre yderligere rotation af spindlen (det forhindrer ikke tilbageslag).

For at genstarte maskinen skal man først slukke for maskinen, eliminere årsagen til det pludselige fald i rotationshastighed og derefter tænde for maskinen.

Elektrisk bremse

Den elektriske bremse aktiveres, når der slukkes for maskinen.

Bremsen fungerer ikke, når strømforsyningen afbrydes, for eksempel hvis akkuen fjernes ved en fejltagelse, mens kontakten stadig er til.

SAMLING

⚠ FORSIGTIG: Sørg altid for at maskinen er slukket, og at akkuen er taget ud, før der udføres noget arbejde på maskinen.

Montering eller fjernelse af diamantskiven

⚠ FORSIGTIG: Anvend kun Makita-skruenøglen til at montere eller afmontere skiven.

⚠ FORSIGTIG: Sørg for at skrue boltene godt fast ved montering af skiven.

⚠ FORSIGTIG: Tryk aldrig på aksellåseknappen, når skiven roterer.

For at afmontere skiven skal du trykke på aksellåseknappen og dreje skiven, indtil skiven ikke kan dreje længere. Mens aksellåsen er helt låst, skal du dreje sekskantboltens mod uret ved hjælp af topnøglen. Derefter afmonteres sekskantboltens, flangen, skiven, ringen og flangen i rækkefølge.

► **Fig.8:** 1. Aksellåseknop 2. Topnøgle 3. Tilspænd 4. Løsn

► **Fig.9:** 1. Sekskantbolt 2. Flange 3. Ring 4. Diamantskive 5. Pil (skivens rotationsretning)

Følg proceduren til afmontering i omvendt rækkefølge for at montere skiven.

TØR FOR AT STRAMME SEKSANTBOLTEN GODT TIL.

⚠ FORSIGTIG: Monter altid skiven, så pilen på den peger i samme retning som pilen på hjuldækslet. Ellers kan skiven rotere baglæns og forårsage personskaade.

⚠ FORSIGTIG: Brug kun den skive, der er mærket med en hastighed svarende til eller større end den hastighed, der er angivet på maskinen.

BEMÆRK: Når du monterer skiven, skal du sørge for at fastgøre flangerne, så den flade side af flangen vender mod skiven, og fastgøre ringen, der svarer til skivens indre diameter.

► **Fig.10:** 1. Sekskantbolt 2. Flange 3. Ring 4. Diamantskive

Tilslutning af en støvsuger

BEMÆRKNING: Luk altid hættens, når der ikke tilsluttes en støvsuger.

Når du ønsker at udføre et rent skærearbejde, skal du tilslutte en Makita-støvsuger til maskinen.

Åbn hættens og tilslut en slange fra støvsugeren.

► **Fig.11:** 1. Hætte 2. Støvmundstykke 3. Slange 4. Støvsuger

Du kan ændre vinklen på støvmundstykket som vist på figuren.

► **Fig.12**

Slangeklemme

BEMÆRKNING: Fjern altid slangeklemmen fra maskinen, når den ikke er i brug.

BEMÆRKNING: Åbn eller luk ikke slangeklemmen overdrevent. Ellers kan slangeklemmen muligvis gå i stykker.

Der kan monteres en slangeklemme for nem håndtering af støvsugerens slange

1. Monter slangeklemmen A eller slangeklemmen B på slangen.

Type	Anvendelig ydre diameter på slange
Slangeklemme A	ø 40 mm - ø 46 mm (ø 1-9/16" - ø 1-13/16")
Slangeklemme B	ø 35 mm - ø 40 mm (ø 1-3/8" - ø 1-9/16")

► **Fig.13:** 1. Slangeklemme A / slangeklemme B 2. Slange

2. Sæt slangeklemmens stifter ind i hullerne på klemmeholderen.

Sørg for, at de to stifter er sat ind i hullerne.

► **Fig.14:** 1. Stift 2. Hul 3. Klemmeholder

3. Følg monteringsproceduren i omvendt rækkefølge for at afmontere slangeklemmen.

Opbevaring af topnøgle

Når topnøglen ikke bruges, skal du opbevare den som vist i figuren for at forhindre, at den bliver væk.

► **Fig.15:** 1. Topnøgle

ANVENDELSE

Kontrol af funktion af den nederste beskyttelsesskærm

Afmonter akkuen.

Træk den nederste beskyttelsesskærm manuelt tilbage til enden, og slip den. Den nederste beskyttelsesskærm fungerer korrekt, hvis:

- den trækkes tilbage uden nogen hindring og;
- den vender automatisk tilbage til den oprindelige position.

► **Fig.16:** 1. Nederste beskyttelsesskærm

Hvis den nederste beskyttelsesskærm ikke fungerer korrekt, skal du kontrollere, om der er ophobet støv ind i hjuldækslet.

Noget støv kan fjernes ved at trække den nederste beskyttelsesskærm ind og ud flere gange.

Hvis den nederste beskyttelsesskærm ikke fungerer korrekt, selv efter at du har fjernet støv, skal maskinen serviceres hos et Makita-servicecenter.

Besked om unormal støj

BEMÆRKNING: Brug ikke en forvrænget eller gammel diamantskive. Ellers kan der opstå funktionsfejl, unormal støj eller brud.

Selv hvis diamantskiven er ny og uden forvrængning, kan diamantskiven lave unormal støj som fx friktion i metal, når maskinen kører ved lav hastighed. Dette er ikke en funktionsfejl på maskinen.

Visse slags diamantskiver kan muligvis lave unormal støj, når maskinen kører ved lav hastighed. Det er fordi diamantskiven og hjuldækslet er placeret meget tæt for effektiv støvopsamling.

Kør maskinen ved fuld hastighed og udfør korrekt skæring. Den unormale støj vil ophøre.

Skærearbejde

⚠ FORSIGTIG: Sørg for at holde arbejdsområdet fast nede på en stabil arbejdsbænk eller et stabilt bord under arbejdet.

⚠ FORSIGTIG: Undlad at vrikke maskinen eller at bruge magt på den i snittet, da motoren ellers kan blive overbelastet, eller arbejdsområdet kan brække.

⚠ FORSIGTIG: Under betjening skal du ikke bringe maskinen højere end skulderhøjde.

► Fig.17

1. Hold godt fast i maskinen. Tag fat i håndtaget med højre hånd og det forreste greb med venstre hånd. For at forhindre elektrisk stød ved utilsigtet skæring af et elkabel, skal du altid holde det forreste greb i den angivne del som vist på figuren.

► **Fig.18:** 1. Del, du skal holde på

2. Tænd for maskinen uden at diamantskiven får kontakt, og vent indtil diamantskiven har opnået fuld hastighed.

3. Sæt forsigtigt diamantskiven lige ind i arbejdsområdet, og skub maskinen jævnt bagud, indtil skæringen er fuldført.

- Hold skærelinjen lige og skubbehastigheden ensartet.
- Skub maskinen i pilens retning på den nederste beskyttelsesskærm.

Hvis du flytter maskinen fremad (hvis du skubber maskinen i den modsatte retning af pilen), vil effektiviteten af støvopsamlingen væsentligt reduceres.

► **Fig.19:** 1. Pil

- Bliv ved med at sætte den nederste beskyttelsesskærm på arbejdsområdet. Hvis der er et mellemrum mellem den nederste beskyttelsesskærm og arbejdsområdet, vil støv sive ud, og støvopsamlingseffektiviteten vil falde.

► **Fig.20:** 1. Nederste beskyttelsesskærm

BEMÆRK: Hvis temperaturen af akkuen er lav, fungerer maskinen muligvis ikke ved fuld kapacitet. På dette tidspunkt kan du f.eks. bruge maskinen til et let snit i et stykke tid, indtil akkuen er varmet op til stuetemperatur. Maskinen kan derefter fungere ved fuld kapacitet.

BEMÆRK: Hvis maskinens skæring aftager, skal du slibe skivens skærekant med en gammel og udtjent, grovkornet bænkslibeskive eller en betonklo. Slib ved at trykke let mod diamantskivens ydre kant.

TRÅDLØS AKTIVERINGSFUNKTION

Ekstraudstyr

BEMÆRKNING: Monter det valgfrie støvdæksel og ekstraudstyr, før denne funktion bruges.

Hvad kan du foretage dig med den trådløse aktiveringsfunktion

Den trådløse aktiveringsfunktion muliggør ren og behagelig anvendelse. Hvis der slutes en understøttet støvsuger til maskinen, kan du lade støvsugeren køre automatisk, når kontakten på maskinen betjenes.

► Fig.21

Hvis du vil bruge den trådløse aktiveringsfunktion, skal du forberede følgende genstande:

- En trådløs enhed (ekstraudstyr)
- En støvsuger, der understøtter den trådløse aktiveringsfunktion

Følgende er et overblik over indstilling af den trådløse aktiveringsfunktion. Se de enkelte afsnit for detaljerede procedurer.

1. Montering af en trådløs enhed
2. Maskinregistrering til støvsugeren
3. Start af den trådløse aktiveringsfunktion

Montering af en trådløs enhed

Ekstraudstyr

⚠ FORSIGTIG: Placer maskinen på en flad og stabil overflade, når den trådløse enhed monteres.

BEMÆRKNING: Fjern støv og snavs fra maskinen, før den trådløse enhed monteres. Støv eller snavs kan forårsage funktionsfejl, hvis det kommer ind i åbningen til den trådløse enhed.

BEMÆRKNING: For at forhindre fejlfunktion forårsaget af statisk elektricitet skal du berøre et statisk afledende materiale som f.eks. en metaldel på maskinen, før du tager den trådløse enhed op.

BEMÆRKNING: Ved montering af den trådløse enhed skal du altid sikre dig, at den trådløse enhed er indsat i den korrekte retning, og at låget er lukket helt.

1. Åbn låget på maskinen som vist på figuren.

► **Fig.22:** 1. Låg

2. Indsæt den trådløse enhed i åbningen, og luk derefter låget.

Ved indsættelse af den trådløse enhed skal fremspringene justeres i forhold til de forsænkede dele på åbningen.

► **Fig.23:** 1. Trådløs enhed 2. Fremspring 3. Låg 4. Forsænket del

Ved fjernelse af den trådløse enhed åbnes låget langsomt. Krogene bag på låget løfter den trådløse enhed, når du trækker låget op.

► **Fig.24:** 1. Trådløs enhed 2. Krog 3. Låg

Når den trådløse enhed er fjernet, skal den opbevares i den medfølgende æske eller i en beholder, der er fri for statisk elektricitet.

BEMÆRKNING: Brug altid krogene bag på låget ved fjernelse af den trådløse enhed. Hvis krogene ikke griber fat i den trådløse enhed, skal du lukke låget helt og åbne det langsomt igen.

Maskinregistrering til støvsugeren

BEMÆRK: Du skal bruge en Makita-støvsuger, der understøtter den trådløse aktiveringsfunktion, til maskinregistreringen.

BEMÆRK: Afslut monteringen af den trådløse enhed på maskinen, før maskinregistreringen startes.

BEMÆRK: Under maskinregistreringen må du ikke trykke på afbryderknappen eller tænde for hovedafbryderen på støvsugeren.

BEMÆRK: Se også i brugsanvisningen til støvsugeren.

Hvis du vil aktivere støvsugeren, når kontakten på maskinen betjenes, skal du først afslutte maskinregistreringen.

1. Sæt batterierne i støvsugeren og maskinen.

2. Sæt standby-kontakten på støvsugeren til "AUTO".

► **Fig.25:** 1. Standby-kontakt

3. Tryk på den trådløse aktiveringsknap på støvsugeren i 3 sekunder, indtil den trådløse aktiveringslampe blinker grønt. Tryk derefter på den trådløse aktiveringsknap på maskinen på samme måde.

► **Fig.26:** 1. Trådløs aktiveringsknap 2. Trådløs aktiveringslampe

Hvis støvsugeren og maskinen sammenkædes korrekt, lyser de trådløse aktiveringslamper grønt i 2 sekunder og begynder at blinke blåt.

BEMÆRK: De trådløse aktiveringslamper holder op med at blinke grønt efter 20 sekunder. Tryk på den trådløse aktiveringsknap på maskinen, når den trådløse aktiveringslampe på støvsugeren blinker. Hvis den trådløse aktiveringslampe ikke blinker grønt, skal du trykke kortvarigt på den trådløse aktiveringsknap og holde den nede igen.

BEMÆRK: Når der udføres to eller flere maskinregistreringer for én støvsuger, skal maskinregistreringerne udføres en for en.

Start af den trådløse aktiveringsfunktion

BEMÆRK: Afslut maskinregistreringen for støvsugeren før den trådløse aktivering.

BEMÆRK: Se også i brugsanvisningen til støvsugeren.

Når en maskine er registreret til støvsugeren, kører støvsugeren automatisk, når kontakten på maskinen betjenes.

1. Monter den trådløse enhed på maskinen.

2. Slut støvsugerens slange til maskinen.

► **Fig.27**

3. Sæt standby-kontakten på støvsugeren til "AUTO".

► **Fig.28:** 1. Standby-kontakt

4. Tryk kortvarigt på den trådløse aktiveringsknap på maskinen. Den trådløse aktiveringslampe blinker blåt.

► **Fig.29:** 1. Trådløs aktiveringsknap 2. Trådløs aktiveringslampe

5. Tænd for maskinen. Kontroller, om støvsugeren kører, mens maskinen er i drift.

Tryk på den trådløse aktiveringsknap på maskinen for at stoppe den trådløse aktivering af støvsugeren.

BEMÆRK: Den trådløse aktiveringslampe på maskinen holder op med at blinke blåt, hvis der ikke sker nogen betjening i 2 timer. Indstil i så fald standby-kontakten på støvsugeren til "AUTO", og tryk på den trådløse aktiveringsknap på maskinen igen.

BEMÆRK: Støvsugeren starter/stopper med en forsinkelse. Der er en forsinkelse, når støvsugeren registrerer en betjening af kontakten på maskinen.










BEMÆRK: Den trådløse enheds transmissionsafstand kan variere afhængigt af placeringen og de omgivende forhold.

BEMÆRK: Når to eller flere maskiner er registreret til én støvsuger, kan støvsugeren begynde at køre, selvom du ikke tænder for maskinen, fordi en anden bruger anvender den trådløse aktiveringsfunktion.

Beskrivelse af den trådløse aktiveringslampe status

► Fig.30: 1. Trådløs aktiveringslampe

Den trådløse aktiveringslampe viser status for den trådløse aktiveringsfunktion. Se i tabellen nedenfor vedrørende betydningen af lampens status.

Status	Trådløs aktiveringslampe				Beskrivelse
	Farve	 Tændt	 Blinker	Varighed	
Standby	Blå			2 timer	Den trådløse aktivering af støvsugeren er tilgængelig. Lampen slukkes automatisk, hvis der ikke sker nogen betjening i 2 timer.
				Når maskinen kører.	Den trådløse aktivering af støvsugeren er tilgængelig, og maskinen kører.
Maskinregistrering	Grøn			20 sekunder	Klar til maskinregistrering. Venter på registrering fra støvsugeren.
				2 sekunder	Maskinregistreringen er fuldført. Den trådløse aktiveringslampe begynder at blinke blå.
Annullerer maskinregistrering	Rød			20 sekunder	Klar til annullering af maskinregistrering. Venter på annullering fra støvsugeren.
				2 sekunder	Annulleringen af maskinregistreringen er fuldført. Den trådløse aktiveringslampe begynder at blinke blå.
Andre	Rød			3 sekunder	Der er strøm til den trådløse enhed, og den trådløse aktiveringsfunktion starter.
	Slukket		-	-	Den trådløse aktivering af støvsugeren er stoppet.

annullerer maskinregistrering for støvsugeren

Benyt følgende fremgangsmåde ved annullering af maskinregistreringen for støvsugeren.

1. Sæt batterierne i støvsugeren og maskinen.
2. Sæt standby-kontakten på støvsugeren til "AUTO".

► Fig.31: 1. Standby-kontakt

3. Tryk på den trådløse aktiveringsknap på støvsugeren i 6 sekunder. Den trådløse aktiveringslampe blinker grønt og bliver derefter rød. Tryk derefter på den trådløse aktiveringsknap på maskinen på samme måde.

► Fig.32: 1. Trådløs aktiveringsknap 2. Trådløs aktiveringslampe

Hvis annulleringen gennemføres korrekt, lyser de trådløse aktiveringslamper rødt i 2 sekunder og begynder at blinke blå.

BEMÆRK: De trådløse aktiveringslamper holder op med at blinke rødt efter 20 sekunder. Tryk på den trådløse aktiveringsknap på maskinen, når den trådløse aktiveringslampe på støvsugeren blinker. Hvis den trådløse aktiveringslampe ikke blinker rødt, skal du trykke kortvarigt på den trådløse aktiveringsknap og holde den nede igen.

Fejlfinding i forbindelse med den trådløse aktiveringsfunktion

Udfør selv en inspektion, inden De anmoder om reparation. Hvis De opdager et problem, som ikke er forklaret i brugsanvisningen, må De ikke forsøge at adskille maskinen. Rådfør Dem i stedet med et autoriseret Makita Servicecenter, og brug altid originale Makita udskiftningsdele til reparationer.

Unormal tilstand	Sandsynlig årsag (fejl)	Afhjælpning
Den trådløse aktiveringslampe tændes/blinker ikke.	Den trådløse enhed er ikke monteret på maskinen. Den trådløse enhed er ikke monteret korrekt på maskinen.	Monter den trådløse enhed korrekt.
	Terminalen på den trådløse enhed og/eller åbningen er snavset.	Aftør forsigtigt støv og snavs på terminalen på den trådløse enhed, og rengør åbningen.
	Der er ikke trykket på den trådløse aktiveringsknap på maskinen.	Tryk kortvarigt på den trådløse aktiveringsknap på maskinen.
	Standby-kontakten på støvsugeren er ikke indstillet til "AUTO".	Sæt standby-kontakten på støvsugeren til "AUTO".
	Ingen strømforsyning	Tilfør strøm til maskinen og støvsugeren.
Kan ikke afslutte maskinregistrering/annullering af maskinregistrering korrekt.	Den trådløse enhed er ikke monteret på maskinen. Den trådløse enhed er ikke monteret korrekt på maskinen.	Monter den trådløse enhed korrekt.
	Terminalen på den trådløse enhed og/eller åbningen er snavset.	Aftør forsigtigt støv og snavs på terminalen på den trådløse enhed, og rengør åbningen.
	Standby-kontakten på støvsugeren er ikke indstillet til "AUTO".	Sæt standby-kontakten på støvsugeren til "AUTO".
	Ingen strømforsyning	Tilfør strøm til maskinen og støvsugeren.
	Forkert betjening	Tryk kortvarigt på den trådløse aktiveringsknap, og udfør procedurerne for maskinregistrering/annullering igen.
	Maskinen og støvsugeren er ikke i nærheden af hinanden (uden for transmissionsafstand).	Flyt maskinen og støvsugeren tættere på hinanden. Den maksimale transmissionsafstand er cirka 10 m, men kan variere afhængigt af forholdene.
	Før du afslutter registreringen/annulleringen af maskinen; - er kontakten på maskinen tændt eller; - er tænd/sluk-knappen på støvsugeren tændt.	Tryk kortvarigt på den trådløse aktiveringsknap, og udfør procedurerne for maskinregistrering/annullering igen.
	Maskinregistreringsprocedurerne på maskinen eller støvsugeren er ikke fuldført.	Gennemfør maskinregistreringsprocedurerne både på maskinen og støvsugeren på samme tid.
	Radiointerferens fra andre apparater, der udsender højintens radiobølger.	Hold maskinen og støvsugeren væk fra apparater som f.eks. Wi-Fi-enheder og mikrobølgeovne.
Støvsugeren kører ikke, når kontakten på maskinen betjenes.	Den trådløse enhed er ikke monteret på maskinen. Den trådløse enhed er ikke monteret korrekt på maskinen.	Monter den trådløse enhed korrekt.
	Terminalen på den trådløse enhed og/eller åbningen er snavset.	Aftør forsigtigt støv og snavs på terminalen på den trådløse enhed, og rengør åbningen.
	Der er ikke trykket på den trådløse aktiveringsknap på maskinen.	Tryk kortvarigt på den trådløse aktiveringsknap, og kontroller, at den trådløse aktiveringslampe blinker blåt.
	Standby-kontakten på støvsugeren er ikke indstillet til "AUTO".	Sæt standby-kontakten på støvsugeren til "AUTO".
	Der er registreret mere end 10 maskiner til støvsugeren.	Udfør maskinregistreringen igen. Hvis der er registreret mere end 10 maskiner til støvsugeren, bliver den maskine, der blev registreret tidligst, automatisk annulleret.
	Støvsugeren har slettet alle maskinregistreringer.	Udfør maskinregistreringen igen.
	Ingen strømforsyning	Tilfør strøm til maskinen og støvsugeren.
	Maskinen og støvsugeren er ikke i nærheden af hinanden (uden for transmissionsafstand).	Flyt maskinen og støvsugeren tættere på hinanden. Den maksimale transmissionsafstand er cirka 10 m, men kan variere afhængigt af forholdene.
	Radiointerferens fra andre apparater, der udsender højintens radiobølger.	Hold maskinen og støvsugeren væk fra apparater som f.eks. Wi-Fi-enheder og mikrobølgeovne.
Støvsugeren kører, mens maskinen ikke er i drift.	Andre brugere anvender den trådløse aktivering af støvsugeren med deres maskiner.	Deaktiver den trådløse aktiveringsknap på de andre maskiner, eller annuller maskinregistreringen af de andre maskiner.

VEDLIGEHODELSE

⚠ FORSIGTIG: Vær altid sikker på, at værktøjet er slukket, og at akkuen er taget ud, inden De begynder at udføre inspektion eller vedligeholdelse.

BEMÆRKNING: Anvend aldrig benzin, rensebenzin, fortynder, alkohol og lignende. Det kan medføre misfarvning, deformation eller revner.

For at opretholde produktets SIKKERHED og PÅLIDELIGHED må reparation, vedligeholdelse eller justering kun udføres af et autoriseret Makita servicecenter eller fabrikkensservicecenter med anvendelse af Makita reservedele.

Rengøring af maskinen

BEMÆRKNING: Vask ikke maskinen med vand.

Efter hver brug afmonteres akkuerne og skiven, og rengøres derefter for støv eller snavs, som har ophobet sig inde i hjuldækslet. Rengør maskinkroppen ved at aftørre støv, snavs med en tør klud eller en klud dypet i sæbevand og vredet. Brug en tør klud til at tørre snavsset af lampens linse. Pas på ikke at ridse lampens linse, da dette muligvis kan dæmpe belysningen.

► **Fig.33:** 1. Hjuldæksel 2. Lampens linse

Rengøring af ventilationsåbningen

Rengør maskinens ventilationsåbninger med jævne mellemrum eller når ventilationsåbningerne begynder at blive tilstoppede.

► **Fig.34:** 1. Ventilationsåbning

Udskiftning af synkronbæltet

1. Afmonter akkuerne og skiven.
2. Løsn boltene med indvendig sekskant ved hjælp af spidsen på topnøglen, og afmonter derefter dækslet.
► **Fig.35:** 1. Topnøgle 2. Bolt med indvendig sekskant 3. Dæksel
3. Skub aksellåseknappen ind, og hold den nede for at låse den store remskive, og drej derefter møtrikken mod uret ved hjælp af den tynde ende af topnøglen.
► **Fig.36:** 1. Stor remskive 2. Aksellåseknop
4. Skub aksellåseknappen ind, og hold den nede for at låse den store remskive, og drej derefter den lille skive mod uret ved hjælp af den tykke ende af topnøglen for at løsne synkronbæltet.
► **Fig.37:** 1. Aksellåseknop 2. Stor remskive 3. Lille skive
5. Afmonter bæltet.
6. Med rillerne på bæltet indeni fastgøres den ene ende af bæltet til den lille remskive, og derefter fastgøres den anden ende af bæltet til den store remskive.
► **Fig.38:** 1. Bælte 2. Stor remskive 3. Lille remskive

7. Skub aksellåseknappen ind, og hold den nede for at låse den store remskive, og drej derefter den lille skive mod uret ved hjælp af den tykke ende af topnøglen for at tilspænde bæltet.

► **Fig.39:** 1. Aksellåseknop 2. Stor remskive

BEMÆRK: Sørg for, at den lille skive er i den position, der vises på figuren.

► **Fig.40:** 1. Lille skive

8. Skub aksellåseknappen ind, og hold den nede for at låse den store remskive, og drej derefter møtrikken med uret ved hjælp af den tynde ende af topnøglen.

► **Fig.41:** 1. Aksellåseknop

BEMÆRK: Når møtrikken tilspændes, påføres 19 - 21 N·m som tilspændingsmoment.

9. Fastgør dækslet, og tilspænd derefter boltene med indvendig sekskant ved hjælp af spidsen af topnøglen.

► **Fig.42:** 1. Topnøgle 2. Bolt med indvendig sekskant 3. Dæksel

FEJLFINDING

Udfør selv en inspektion, inden De anmoder om reparation. Hvis De opdager et problem, som ikke er forklaret i brugsanvisningen, må De ikke forsøge at adskille maskinen. Rådfør Dem i stedet med et autoriseret Makita Servicecenter, og brug altid originale Makita udskiftningsdele til reparationer.

Unormal tilstand	Sandsynlig årsag (fej)l	Afhjælpning
Motoren kører ikke.	Akkuerne er ikke indsat.	Installer to akkuer. Maskinen fungerer ikke med én akku.
	Problem med batteriet (for lav spænding)	Genoplad batteriet. Udskift akkuen, hvis genopladning ikke løser problemet.
	Drevsystemet fungerer ikke korrekt.	Kontakt det lokale autoriserede servicecenter for reparation.
Motoren holder op med at køre efter kort tids brug.	Batteriets opladningsniveau er for lavt.	Genoplad batteriet. Udskift akkuen, hvis genopladning ikke løser problemet.
	Overophedning.	Hold op med at bruge maskinen, så den kan køle ned.
Skiverotationen accelererer ikke ordentligt, selv efter maskinen har kørt i 20 sekunder uden belastning.	Batteriet er indsat forkert.	Monter akkuerne som beskrevet i denne brugervejledning.
	Batteriladningen falder.	Genoplad akkuerne. Hvis genopladningen ikke er effektiv, skal akkuen udskiftes.
	Synkronbæltet glider.	Udskift synkronbæltet med et nyt.
	Drevsystemet fungerer ikke korrekt.	Kontakt det lokale autoriserede servicecenter for reparation.
Skiven roterer ikke: ⇒ Stop maskinen med det samme!	Synkronbæltet glider.	Udskift synkronbæltet med et nyt.
	Fremmedlegeme sidder fast mellem hjuldækslet og skiven.	Afmonter akkuerne, og fjern derefter fremmedlegemet.
	Drevsystemet fungerer ikke korrekt.	Kontakt det lokale autoriserede servicecenter for reparation.
Unormal vibration: ⇒ Stop maskinen med det samme!	Fejlagtig montering af skiven.	Monter skiven som instrueret i denne brugsanvisning. Tilspænd bolten for at fastgøre skiven ordentligt.
	Drevsystemet fungerer ikke korrekt.	Kontakt det lokale autoriserede servicecenter for reparation.
Skæreværktøjet og motoren kan ikke stoppe: ⇒ Fjern akkuen med det samme!	Elektrisk eller elektronisk fejlfunktion.	Afmonter akkuerne, og anmod det lokale autoriserede servicecenter om reparation.
Dårlig skærefunktion	Det er tid til at udskifte skiven.	Udskift skiven med en ny.
Støvsugerens sugekraft er svag.	Filteret på støvsugeren er tilstoppet.	Rengør filteret. Hvis rengøring af filteret ikke løser problemet, skal du udskifte filteret.
Den nederste beskyttelsesskærm fungerer ikke korrekt.	Der er ophobet støv inden i hjuldækslet.	Træk den nederste beskyttelsesskærm ind og ud flere gange.

EKSTRAUDSTYR

⚠FORSIGTIG: Det følgende tilbehør og ekstraudstyr er anbefalet til brug med Deres Makita maskine, der er beskrevet i denne brugsanvisning. Anvendelse af andet tilbehør eller ekstraudstyr kan udgøre en risiko for personskaade. Anvend kun tilbehør og ekstraudstyr til det beskrevne formål.

- Topnøgle
- Trådløs enhed
- Original Makita-akku og oplader

BEMÆRK: Nogle ting på denne liste kan være inkluderet i værktøjspakken som standardtilbehør. Det kan være forskellige fra land til land.

Hvis De behøver hjælp ved valg af tilbehør eller ønsker yderligere informationer, bedes De kontakte Deres lokale Makita servicecenter.

- Diamantskive
- Ringsæt
- Synkronbælte

SPECIFIKĀCIJAS

Modelis:	CE002G
Ripas diametrs	350–355 mm
Maks. ripas biezums	4,0 mm
Maks. griešanas dziļums	127 mm
Nominālais ātrums	4 200 min ⁻¹
Nominālais spriegums	Līdzstrāva 72 V–80 V maks.
Ieteicamais putekļu sūcēja gaisa tīlpums	Vienāds ar vai lielāks par 1,8 m ³ /min
Kopējais garums	825 mm
Neto svars	13,1-15,1 kg

- Nepārtrauktās izpētes un izstrādes programmas dēļ šeit uzrādītās specifikācijas var tikt mainītas bez brīdinājuma.
- Atkarībā no valsts specifikācijas var atšķirties.
- Svārs var būt atšķirīgs atkarībā no papildierces(-ēm), tostarp akumulatora kasetnes. Tabulā ir attēlota vieglākā un smagākā kombinācija atbilstoši EPTA procedūrai 01/2014.

Piemērotā akumulatora kasetne un lādētājs






Akumulatora kasetne	BL4040 / BL4050F* / BL4080F* *: Ieteicamais akumulators
Lādētājs	DC40RA / DC40RB / DC40RC

- Daži no iepriekš norādītajiem lādētājiem un akumulatora kasetnēm var nebūt pieejami atkarībā no jūsu mītnes reģiona.

⚠ BRĪDINĀJUMS: Izmantojiet vienīgi iepriekš norādītās akumulatora kasetnes un lādētājus. Cita tipa akumulatora kasetņu un lādētāju izmantošana var radīt traumu un/vai aizdegšanās risku.

Simboli

Tālāk ir attēloti simboli, kas var attiekties uz darbarīka lietošanu. Pirms darbarīka izmantošanas pārlicinieties, vai pareizi izprotat to nozīmi.

	Izlasiet lietošanas rokasgrāmatu.
	Izmantojiet aizsargbrilles.
	Neizmantojiet abrazīvo griešanas ripu. Izmantojama tikai dimanta ripa.
	Negrieziet metālu.
	Nepievadiet ūdeni.



Tikai ES valstīm
Tā kā šajā aprīkojumā ir bīstamas sastāvdaļas, elektrisko un elektronisko iekārtu, akumulatoru un bateriju atkritumi var negatīvi ietekmēt apkārtējo vidi un cilvēka veselību.

Elektroierīces, elektroniskās ierīces un akumulatorus nedrīkst izmest kopā ar mājsaimniecības atkritumiem!
Saskaņā ar Eiropas direktīvu par elektrisko un elektronisko iekārtu atkritumiem, akumulatoriem un baterijām, kā arī akumulatoru un bateriju atkritumiem un šīs direktīvas pielāgošanu valsts tiesību aktiem elektrisko un elektronisko iekārtu, bateriju un akumulatoru atkritumi ir jāglabā atsevišķi un jānogādā uz sadzīves atkritumu dalītās savākšanas vietu, ievērojot attiecīgos vides aizsardzības noteikumus.
Par to liecina uz iekārtas redzams simbols ar pārsvītrotu atkritumu konteineru uz rītniem.

Paredzētā lietošana

Darbarīks paredzēts iegriezumiem akmeņī, kļieģeļos vai tam līdzīgos materiālos, izmantojot dimanta ripu.

Trokšņa līmenis

Tipiskais A svērtais trokšņa līmenis noteikts saskaņā ar EN60745-2-22:

Skaņas spiediena līmeni ($L_{p(A)}$): 106 dB (A)

Skaņas jaudas līmeni (L_{WA}): 117 dB (A)

Mainīgums (K): 3 dB (A)

PIEZĪME: Paziņotā trokšņa emisijas vērtība noteikta atbilstoši standarta pārbaudes metodei, un to var izmantot, lai salīdzinātu vienu darbarīku ar citu.

PIEZĪME: Paziņoto trokšņa emisijas vērtību arī var izmantot iedarbības sākotnējā novērtējumā.

▲BRĪDINĀJUMS: Lietojiet ausu aizsargus.

▲BRĪDINĀJUMS: Trokšņa emisija patiesos darba apstākļos var atšķirties no paziņotās vērtības atkarībā no darbarīka izmantošanas veida un jo īpaši atkarībā no apstrādājamā materiāla veida.

▲BRĪDINĀJUMS: Lai aizsargātu lietotāju, nosakiet drošības pasākumus, kas pamatoti ar iedarbību reālos darba apstākļos (ņemot vērā visus ekspluatācijas cikla posmus, piemēram, laiku, kamēr darbarīks ir izslēgts un kad darbojas tukšgaitā, kā arī palaišanas laiku).

Vibrācija

Darba režīms: betona griešana

Kreisā roka		Labā roka		Piemērojamie standarti
$a_{h,w}$ (m/s^2)	Nenoteiktība K (m/s^2)	$a_{h,w}$ (m/s^2)	Nenoteiktība K (m/s^2)	
$\leq 2,5$	1,5	$\leq 2,5$	1,5	EN60745-2-22

PIEZĪME: Paziņotā kopējā vibrācijas vērtība noteikta atbilstoši standarta pārbaudes metodei, un to var izmantot, lai salīdzinātu vienu darbarīku ar citu.

PIEZĪME: Paziņoto kopējo vibrācijas vērtību arī var izmantot iedarbības sākotnējā novērtējumā.

▲BRĪDINĀJUMS: Vibrācijas emisija patiesos darba apstākļos var atšķirties no paziņotās vērtības atkarībā no darbarīka izmantošanas veida un jo īpaši atkarībā no apstrādājamā materiāla veida.

▲BRĪDINĀJUMS: Lai aizsargātu lietotāju, nosakiet drošības pasākumus, kas pamatoti ar iedarbību reālos darba apstākļos (ņemot vērā visus ekspluatācijas cikla posmus, piemēram, laiku, kamēr darbarīks ir izslēgts un kad darbojas tukšgaitā, kā arī palaišanas laiku).

Atbilstības deklarācijas

Tikai Eiropas valstīm

Atbilstības deklarācijas šajā lietošanas rokasgrāmatā ir iekļautas kā A pielikums.

DROŠĪBAS BRĪDINĀJUMI

Vispārīgi elektrisko darbarīku drošības brīdinājumi

▲BRĪDINĀJUMS Izlasiet visus drošības brīdinājumus, norādījumus un tehniskos datus un izpētiet ilustrācijas, kas iekļautas šā elektriskā darbarīka komplektā. Neievērojot visus tālāk minētos noteikumus, iespējams elektriskās strāvas trieciens, aizdegšanās un/vai smagu traumu risks.

Glabājiet visus brīdinājumus un norādījumus, lai varētu tajos ieskatīties turpmāk.

Termins „elektrisks darbarīks” brīdinājumos attiecas uz tādu elektrisko darbarīku, ko darbina ar elektrību (ar vadu), vai tādu, ko darbina ar akumulatoru (bez vada).

Bezvada mehānizētās frēzes drošības brīdinājumi

Drošības brīdinājumi griešanas ierīces lietošanai

- Komplektā esošajam aizsargam jābūt cieši piespīrinātam pie mehānizētā darbarīka un novietotam tā, lai maksimāli gādātu par drošību un operatora virzienā būtu atsegta mazākā ripas daļa. Izvēlieties tādu stāvokli, lai jūs un blakus stāvošie neatrastos rotējošās ripas plaknē. Aizsargs palīdz aizsargāt operatoru no salūzušas slīpriņas daļām un nejaušas saskares ar slīpripu.**
- Šim mehānizētajam darbarīkam izmantojiet tikai dimanta griešanas ripas. Tas vien, ka piederumu var piespīrināt mehānizētajam darbarīkam, negarantē drošu lietošanu.**
- Piederuma nominālajam ātrumam jābūt vismaz identiskam ar maksimālo ātrumam, kas atzīmēts uz mehānizētā darbarīka. Piederumi, kas griežas ātrāk par nominālo ātrumu, var salūzt un tikt izsviesti.**
- Ripas jāizmanto tikai tām paredzētajiem darbiem. Piemēram: neslīpējiet ar griešanas ripas malu. Griešanas ripas paredzētas perifērai slīpēšanai, tāpēc, ja uz šīm ripām iedarbojas sāniski spēki, tās var salūzt.**

5. **Vienmēr izmantojiet nebojātus, izvēlētajai slīprīpai atbilstoša diametra ripas atlokus.** Atbilstoši slīprīpas atloki balsta slīprīpu, tādējādi samazinot tās salūšanas iespēju.
6. **Piederuma ārējām daļām un biežumam jābūt mehānizētā darbarīka jaudas robežās.** Nepareiza izmēra piederums nav iespējams pietiekami uzmanīt vai vadīt.
7. **Rīpu un atloku vārpstas lielumam precīzi jāatbilst mehānizētā darbarīka vārpstas izmēram.** Ripas un atloki ar vārpstas atverēm, kas neatbilst mehānizētā darbarīka stiprinājuma aprīkojumam, zaudēs centrējumu, pārmērīgi vibrēs un var izraisīt vadības zaudēšanu.
8. **Neizmantojiet bojātas slīprīpas. Pirms katras izmantošanas reizes pārbaudiet, vai slīprīpai nav robei vai plaisas. Ja mehānizētais darbarīks vai slīprīpa nokrīt, pārbaudiet, vai nav radušies bojājumi, vai arī uzstādiet nebojātu piederumu. Pēc slīprīpas pārbaudes un uzstādīšanas izvēlieties tādu novietojumu sev un apkārtējiem, kas neatrastra slīprīpas rotācijas plaknē, tad vienu minūti darbiniet mehānizēto darbarīku ar maksimālo bezslodzes darbības ātrumu. Bojāti piederumi šādas pārbaudes laikā parasti izjūk.**
9. **Izmantojiet individuālos aizsarglīdzekļus. Atkarībā no veicamā darba valkājiet sejas aizsargu, aizsargbrilles vai brilles. Ja vajadzīgs, valkājiet putekļu masku, ausu aizsargus, cimdus un darba priekšautu, kas aiztur mazas abrazīvās vai materiāla daļas. Acu aizsardzības aprīkojumam jāaiztur lidojoši gruži, kas rodas dažādu darbu veikšanas laikā. Putekļu maskai vai respiratoram jāaiztur darba laikā radušās daļiņas. Ilgstoši pakļaujot sevi ļoti intensīvam troksnim, var rasties dzirdes zudums.**
10. **Ģādājiet, lai apkārtējie atrastos drošā attālumā no darba vietas. Ikvienam, kas atrodas darba vietā, jāizmanto individuālie aizsarglīdzekļi.** Apstrādājamā materiāla vai salūzušas slīprīpas fragmenti var tikt izsviesti un radīt traumas arī tiem, kas neatrodas tiešā darba vietā.
11. **Veicot darbu, mehānizēto darbarīku drīkst turēt tikai aiz izolētajām satvēršanas virsmām, ja strādā vietā, kur griezējinstrumentus varētu saskarties ar apslēptu elektroinstalāciju.** Griezējinstrumentam saskaroties ar kabeli zem sprieguma, mehānizētā darbarīka metāla daļas var vadīt spriegumu un radīt operatoram elektrotraumu.
12. **Nekādā gadījumā nenolieciet mehānizēto darbarīku, pirms tas nav pilnībā apstājies.** Rotējošā slīprīpa var aizķert virsmu un pavilt mehānizēto darbarīku, neļaujot jums to noturēt.
13. **Nedarbiniet mehānizēto darbarīku, to pārnēsājot.** Ja apģērbs nejausi pieskaras rotējošajam piederumam, tas var tikt satverts, iespējot piederumu miesā.
14. **Regulāri tīriet mehānizētā darbarīka ventilācijas atveres.** Motora ventilators ievilk putekļus korpusā un pārmērīga sīku metāla daļiņu uzkrāšanās var izraisīt elektrosistēmas bojājumus.
15. **Mehānizēto darbarīku nedrīkst darbināt ugunsnedrošu materiālu tuvumā.** Dzirksteles var aizdedzināt šos materiālus.

16. **Nelietojiet tādus piederumus, kam vajadzīgi dzesēšanas šķidrums.** Lietojot ūdeni vai citus dzesēšanas šķidrumus, var gūt nāvējošu elektrotraumu vai elektriskās strāvas triecienu.

Atsitiens un ar to saistīti brīdinājumi

Atsitiens ir pēkšņa reakcija uz iesprūdušu vai aizķerušos rotējošo slīprīpu. Iesprūšanas vai aizķeršanās izraisa pēkšņu rotējošās slīprīpas apstāšanos, kas saskares brīdī savukārt izraisa nevadāmu mehānizētā darbarīka grūdienu pretēji slīprīpas rotācijas virzienam. Piemēram, ja rīpa aizķeras vai iesprūst apstrādājamā materiālā, rīpas mala, kas nokļūst iesprūšanas punktā, var iespīesties materiāla virsmā, liekot rīpai izlēkt vai atsīstīties. Rīpa saskares brīdī var izlēkt operatora virzienā vai prom no viņa atkarībā no rīpas kustības virziena iespīesības brīdī. Šādos gadījumos rīpa var arī salūzt.

Atsitiens rodas darbarīka nepareizas lietošanas un/vai nepareizas darbības vai apstākļu rezultātā, un no tā var izvairīties, veicot piemērotus drošības pasākumus, kā norādīts tālāk.

1. **Saglabājiet ciešu darbarīka tvērienu un novietojiet ķermeni un rokas tā, lai pretotos atsitienu spēkam. Lai maksimāli kontrolētu atsitienu (iedarbināšanas laikā) vai griezes momentu, vienmēr lietojiet palīgprokturi, ja tāds ir.** Operators var savaldīt griezes momenta reakciju vai atsitienu spēku, ja veic atbilstošus piesardzības pasākumus.
2. **Nekad nenovietojiet roku rotējošā piederuma tuvumā.** Piederums var radīt atsitienu un trāpīt roku.
3. **Nenostājieties vienā līnijā ar rotējošo slīprīpu.** Atsitiens saskares brīdī pārvieto darbarīku slīprīpas kustībai pretējā virzienā.
4. **Īpaši uzmanieties, apstrādājot stūrus, asas malas u. c. Neļaujiet piederumam atlēkt un aizķerties.** Stūri, asas malas vai atļēcieni mēdz saķert rotējošo piederumu un izraisīt kontroles zaudēšanu pār darbarīku vai atsitienu.
5. **Nepiestipriniet zāģa ķēdi, kokgriešanas asmeni, segmentētu dimanta rīpu ar aploces rievu, kas lielāka par 10 mm (3/8"), vai zobaino zāģa asmeni.** Šādi asmeņi izraisa biežus atsitienu un vadības zaudēšanu.
6. **Neļaujiet slīprīpai iesprūst; neizmantojiet pārmērīgu spiedienu. Negrieziet pārāk dziļi.** Slīprīpas pārslodze palielina slodzi, rīpas savēršanās vai ieķeršanās griezumā un atsitienu, kā arī slīprīpas salūšanas iespējamību.
7. **Ja slīprīpa aizķeras vai kāda iesmesla dēļ tiek pārtraukta griešana, izslēdziet mehānizēto darbarīku un turiet to nekustīgi, līdz slīprīpa pilnībā apstājas. Nekad nemēģiniet izņemt slīprīpu no griezuma, kamēr slīprīpa vēl griežas, citādi var rasties atsitiens.** Pārbaudiet un veiciet attiecīgus pasākumus, lai novērstu slīprīpas aizķeršanās cēloņus.
8. **Neatsāciet griešanu, darbarīkam atrodoties apstrādājamā materiālā. Ļaujiet slīprīpai sasniegt pilnu ātrumu un tad vēlreiz uzmanīgi ievietojiet to griezumā.** Slīprīpa var aizķerties, izvīrties augšup vai atlēkt, ja mehānizēto darbarīku atkal iedarbina laikā, kamēr tas atrodas apstrādājamajā virsmā.

9. Atbalstiet paneļus un visus lielos apstrādājamos materiālus, lai samazinātu slīpripas iesprūšanas un atsitienu bīstamību. Lielī apstrādājami materiāli bieži vien ieliecas sava svara dēļ. Balsti jānovieto abās slīpripas pusēs zem apstrādājamās virsmas, griezumam līnijas tuvumā un tuvu apstrādājamās virsmas malai.
10. Esiet īpaši uzmanīgs, veicot „nišas griezumus” jau esošajās sienās vai citās aizsegtās vietās. Caururbīdā šī slīpripa var pārgriezt gāzes vai ūdens caurules, elektrības vadus vai priekšmetus, kas var izraisīt atsitienu.

Papildu drošības brīdinājumi:

1. Neizmantojiet abrazīvo griešanas ripu. Pretējā gadījumā aizdegšanās un/vai pārmērīga uzkaršana var izraisīt apdegumus.
2. Negrieziet metāla priekšmetus. Pretējā gadījumā aizdegšanās un/vai pārmērīga uzkaršana var izraisīt apdegumus.
3. Pirms segmentētas dimanta ripas izmantošanas pārbaudiet, vai dimanta ripas aploces rievā starp segmentiem ir 10 mm (3/8") vai mazāka, tikai ar negatīvu slīpuma leņķi.
4. Nekādā gadījumā negrieziet, ja darbarīks skrūvspīlēs ir apgriezti otrādi. Tādējādi var izraisīt smagus negadījumus, jo šāda rīcība ir ļoti bīstama.
5. Daži materiāli satur ķīmiskas vielas, kuras var būt toksiskas. Izvairieties no putekļu ieelpošanas un to nokļūšanas uz ādas. Ievērojiet materiāla piegādātāja drošības datus.
6. Uzglabājiet slīpripas saskaņā ar ražotāja ieteikumiem. Nepareizi uzglabājot, slīpripas var sabojāt.
7. Vienmēr izmantojiet darba apstākļiem un griežamajam materiālam piemērotu ripu.
8. Pirms griešanas izpētiet griežamo materiālu. Ja materiāla sastāvā ir sprādzienbīstamas vai uzliesmojošas vielas, ir iespējams sprādziens vai aizdegšanās.
9. Neieslēdziet darbarīku, ja starp ripas pārsegu un ripu ir iestrēdzis svešķermenis. Šādā situācijā vispirms izņemiet akumulatora kasetni un pēc tam – svešķermeni.
10. Kad iespējams, apstrādājamā materiāla atbilstam izmantojiet spailēs vai līdzīgu priekšmetu.
11. Darbības laikā vienmēr izmantojiet dzirdes aizsargaprīkojumu.
12. Ar šo darbarīku aizliegts zāgēt koka materiālus.
13. Ripas ārējam diametram un biežumam jāatbilst mehanizētā darbarīka jaudas aprēķinam. Nepareiza izmēra ripas nevar atbilstoši aizsargāt vai vadīt.
14. Strādājot ar mehanizēto darbarīku, cieši turiet to ar abām rokām un novietojiet ķermeni un rokas tā, lai pretotos atsitienu spēkam.
15. Netuviniet rokas un seju rotējošajai ripai.
16. Noregulējiet ripas pārsegu tādā pozīcijā, kas atbilst veicamajam darbam.
17. Nenaslapiniet darbarīku ūdenī, lietū, dubļos vai peļķēs.
18. Neatstājiet darbarīku ārpus telpām bez uzraudzības.

19. Novietojiet darbarīku glabāšanā, izvairieties no tiešiem saules stariem un lietus un novietojiet to vietā, kur nekļūst karsts vai mitrs.
20. Regulāri iztīriet putekļu sūcēja filtru.

SAGLABĀJIET ŠOS NORĀDĪJUMUS.

BRĪDINĀJUMS: NEPIELĀUJIET to, ka labu iemaņu vai izstrādājuma labas pārziņāšanas (darbarīku atkārtoti ekspluatējot) rezultātā vairs stingri neievērojāt šī izstrādājuma drošības noteikumus. NEPAREIZI LIETOJOT darbarīku vai neievērojot šajā instrukcijā rokasgrāmatā minētos drošības noteikumus, var tikt gūtas smagas traumas.

Svarīgi drošības norādījumi par akumulatora kasetni

1. Pirms akumulatora lietošanas izlasiet visus norādījumus un brīdinājumus, kuri attiecas uz (1) akumulatora lādētāju, (2) akumulatoru un (3) ierīci, kurā tiek izmantots akumulators.
 2. Akumulatora kasetni nedrīkst ne pārveidot, ne izjaukt. Citādi var tikt izraisīta aizdegšanās, pārmērīgs karstums vai sprādziens.
 3. Ja akumulatora darbības laiks kļūva ievērojami īsāks, nekavējoties pārtrauciet to izmantot. Citādi, tas var izraisīt pārkarsējumu, uzliesmojumu vai pat sprādzienu.
 4. Ja elektrolīts nonāk acīs, izskalojiet tās ar tīru ūdens un nekavējoties griezieties pie ārsta. Tas var izraisīt redzes zaudēšanu.
 5. Neradiet īssavienojumu akumulatora kasetnē:
 - (1) Nepieskarieties spaiļēm ar elektrību vadošiem materiāliem.
 - (2) Neuzglabājiet akumulatoru kasetni kopā ar citiem metāla priekšmetiem, tādiem kā naglas, monētas u. c.
 - (3) Nepakļaujiet akumulatora kasetni ūdens vai lietus iedarbībai.
 Akumulatora īssavienojums var radīt spēcīgu strāvas plūsmu, pārkaršanu, uzliesmojumu un pat sabojāt akumulatoru.
 6. Neglabājiet un neizmantojiet darbarīku un akumulatora kasetni vietās, kur temperatūra var sasniegt vai pārsniegt 50 °C (122 °F).
 7. Nededziniet akumulatora kasetni, pat ja tā ir stipri bojāta vai pilnībā nolietota. Akumulatora kasetne ugunī var eksplodēt.
 8. Akumulatora kasetni nedrīkst naglot, griezt, saspīest, mest vai nomet, kā arī pa to nedrīkst sist ar cietu priekšmetu. Šādas darbības var izraisīt aizdegšanos, pārmērīgu karstumu vai sprādzienu.
 9. Neizmantojiet bojātu akumulatoru.
 10. Uz izmantotajiem litija jonu akumulatoriem attiecas likumdošanas prasības par bīstamiem izstrādājumiem.
- Komerציālā transportēšanā, ko veic, piemēram, trešās puses, transporta uzņēmumi, jāievēro uz iesaiņojuma un marķējuma norādītās īpašās prasības.

Lai izstrādājumu sagatavotu nosūtīšanai, jāpasīnās ar bīstamo materiālu speciālistu. Ievērojiet arī citus attiecināmos valsts normatīvus.

Valējus kontaktus nosedziet ar līmlenti vai citādi pārklājiet, bet akumulatoru iesaiņojiet tā, lai sānīt tas nevarētu izkustēties.

11. Lai utilizētu akumulatora kasetni, izņemiet to no darbarīka un likvidējiet drošā vietā. Ievērojiet vietējos noteikumus par akumulatora likvidēšanu.
12. Izmantojiet šos akumulatorus tikai ar izstrādājumiem, kurus norādījis Makita. Ievietojot šos akumulatorus nesaderīgos izstrādājumos, var rasties ugunsgrēks, pārmērīgs karstums, tie var uzsprāgt vai no tiem var iztecēt elektrolīts.
13. Ja darbarīks netiks lietots ilgu laiku, no tā jāizņem akumulators.
14. Lietošanas laikā vai pēc tās akumulatora kasetne var uzkrāt siltumu, kas var izraisīt apdegumus vai zemas temperatūras apdegumus. Ar karstu akumulatora kasetni apejieties rūpīgi.
15. Nepieskarieties darbarīka izvadam uzreiz pēc lietošanas, jo tas var būt sakarsis un izraisīt apdegumus.
16. Neļaujiet akumulatora kasetnes spailēs, atverēs un rievās uzkrāties skaidām, putekļiem vai netīrumiem. Tas var izraisīt sasiļāšanu, aizdegšanos, sprādzienu un instrumenta vai akumulatora kasetnes nepareizu darbību, un lietotājs var gūt apdegumus vai ievainojumus.
17. Neizmantojiet akumulatora kasetni augstsprieguma līniju tuvumā, izņemot gadījumus, kad darbarīks ir piemērots lietošanai augstsprieguma līniju tuvumā. Citādi darbarīks vai akumulatora kasetne var sākt darboties nepareizi vai tikt sabojāti.
18. Glabājiet akumulatoru bērniem nepieejamā vietā.

SAGLABĀJIET ŠOS NORĀDĪJUMUS.

⚠UZMANĪBU: Lietojiet tikai oriģinālos Makita akumulatorus. Ja lietojat neoriģinālus Makita akumulatorus vai pārveidotus akumulatorus, tie var uzsprāgt un izraisīt aizdegšanos, traumas un materiālos zaudējumus. Tīks anulēta arī Makita darbarīka un lādētāja garantija.

Ieteikumi akumulatora kalpošanas laika pagarināšanai

1. Uzlādējiet akumulatora kasetni, pirms tā ir pilnībā izlādējusies. Vienmēr, kad ievērojāt, ka darbarīka darba jauda zudusi, apturiet darbarīku un uzlādējiet akumulatora kasetni.
2. Nekad neuzlādējiet pilnībā uzlādētu akumulatora kasetni. Pārmērīga uzlāde saīsina akumulatora kalpošanas laiku.
3. Uzlādējiet akumulatora kasetni istabas temperatūrā 10 °C - 40 °C. Karstai akumulatora kasetnei pirms uzlādes ļaujiet atdzist.
4. Kad akumulatora kasetne netiek izmantota, izņemiet to no darbarīka vai lādētāja.
5. Uzlādējiet litija jonu akumulatora kasetni, ja to ilgstoši nelietosīt (vairāk nekā sešus mēnešus).

Svarīgi drošības norādījumi par bezvadu ierīci

1. Bezvadu ierīci nedrīkst ne pārveidot, ne izjaukt.
2. Bezvadu ierīci glabājiet maziem bērniem nepieejamā vietā. Ja kāds cilvēks nejauši norij kādu no detaļām, nekavējoties jādodas pie ārsta.
3. Bezvadu ierīci lietojiet tikai kopā ar Makita darbarīkiem.
4. Raugiet, lai bezvadu ierīce neatrastos lietū vai mitros apstākļos.
5. Bezvadu ierīci nelietojiet vietās, kur temperatūra pārsniedz 50 °C.
6. Bezvadu ierīci nelietojiet vietās, kur tuvumā atrodas medicīnas ierīces, piemēram, sirdsdarbības stimulatori.
7. Bezvadu ierīci nelietojiet vietās, kur tuvumā atrodas automātiskas ierīces. Ja lietojat, tad automātisko ierīču darbībā var rasties traucējumi vai kļūdas.
8. Neizmantojiet bezvadu ierīci vietā, kur ir augsta temperatūra vai var veidoties statiskā elektrība vai elektriskais troksnis.
9. Bezvadu ierīce var radīt elektromagnētiskos laukus (EML), bet tie nav lietotājam kaitīgi.
10. Bezvadu ierīce ir precīzs instruments. Uzmanieties, lai bezvadu ierīce nenokrīstu un nekur neietriektos.
11. Bezvadu ierīces izvadam nepieskarieties ar kailām rokām vai metāliskiem materiāliem.
12. Kad uzstādāt bezvadu ierīci, vienmēr izņemiet darbarīka akumulatoru.
13. Verot vaļā atveres pārsegu, izvairieties no vietas, kur atverē var iekļūt putekļi un ūdens. Atveres ieeju vienmēr turiet tīru.
14. Bezvadu ierīci vienmēr ievietojiet pareizajā virzienā.
15. Bezvadu ierīces bezvadu sistēmas aktivizēšanas pogu nespiediet pārāk stipri un/vai nespiediet pogu ar priekšmetu, kam ir asas malas.
16. Lietojot ierīci, vienmēr aizveriet atveres pārsegu.
17. Kamēr darbarīks ir pieslēgts pie strāvas, neatvienojiet bezvadu ierīci no atveres. Ja atvienojat, var rasties traucējumi bezvadu ierīces darbībā.
18. No bezvadu ierīces nenoplēsiet uzlīmi.
19. Uz bezvadu ierīces nelīmējiet nekādas uzlīmes.
20. Neatstājiet bezvadu ierīci vietā, kur var veidoties statiskā elektrība vai elektriskais troksnis.
21. Bezvadu ierīci neatstājiet vietās, kur varētu būt liels karstums, piemēram, automobilī, kas atstāts saulē.
22. Bezvadu ierīci neatstājiet puteklainā vai ar pulveri nokaisītā vietā vai vietā, kur var rasties kodīga gāze.
23. Pēkšņas temperatūras izmaiņas var radīt mitrumu uz ierīces. Bezvadu ierīci lietojiet tikai tad, kad mitrums pilnībā izžuvis.
24. Kad tīrāt bezvadu ierīci, uzmanīgi slaukiet to ar sausu, mīkstu drānu. Nelietojiet benzīnu, atšķaidītāju, vadītspējīgas smērvielas vai līdzīgas vielas.

25. Kad bezvadu ierīci noliekat glabāšanai, ielieciet to komplekta ietvarā vai nestatiskā konteinerā.
26. Darbarīka atverē ievietojiet tikai Makita bezvadu ierīci.
27. Neizmantojiet darbarīku, ja tā atveres pārsegs ir bojāts. Ūdens, putekļu un netīrumu iekļūšana atverē var radīt darbības traucējumus.

28. **Bez nepieciešamības nevelciet un/vai negroziet atveres pārsegu.** Ja pārsegs atdalās no darbarīka, piestipriniet to.
29. **Ja atveres pārsegs ir pazaudēts vai bojāts, nomainiet to.**

SAGLABĀJIET ŠOS NORĀDĪJUMUS.

DETAĻU APRAKSTS

► Att.1

1	Dimanta ripa	2	Ripas pārsegs	3	Ripas pārsega rokturis	4	Putekļu sūcēja uzgalis
5	Priekšējais rokturis	6	Lampiņa	7	Akumulatora kasetne	8	Bloķēšanas poga
9	Bezvadu sistēmas aktivizēšanas lampiņa	10	Bezvadu sistēmas aktivizēšanas poga	11	Apakšējais aizsargs	12	Ritenītis
13	Vārpstas bloķētāja poga	14	Pārsegs (ķīļsiksna)	15	Skavas turētājs	16	Rokturis
17	Slēdža mēlīte	18	Lampiņas poga	19	Pārslodzes indikators	20	Šļūtenes skava A
21	Šļūtenes skava B	22	Galatslēga	-	-	-	-

FUNKCIJU APRAKSTS

⚠ UZMANĪBU: Pirms darbarīka regulēšanas vai tā darbības pārbaudes vienmēr pārlicinieties, ka darbarīks ir izslēgts un akumulatora kasetne ir izņemta.

Akumulatora kasetnes uzstādīšana un izņemšana

⚠ UZMANĪBU: Vienmēr pirms akumulatora kasetnes uzstādīšanas vai noņemšanas izslēdziet darbarīku.

⚠ UZMANĪBU: Uzstādot vai izņemot akumulatora kasetni, darbarīku un akumulatora kasetni turiet cieši. Ja darbarīku un akumulatora kasetni netur cieši, tie var izkrist no rokām un radīt bojājumus darbarīkam un akumulatora kasetnei, kā arī izraisīt ievainojumus.

Lai uzstādītu akumulatora kasetni, salāgojiet akumulatora kasetnes mēlīti ar rievu ietvarā un iebīdīet to vietā. Ievietojiet to līdz galam, līdz tā ar klikšķi nofiksējas. Ja redzams attēlā parādītais sarkanais krāsas indikators, tas nozīmē, ka tas nav pilnīgi nofiksēts.

Lai izņemtu akumulatoru kasetnes, izvelciet kasetni, vienlaikus spiežot kasetnes priekšpusē esošo pogu.

► Att.2: 1. Sarkanais krāsas indikators 2. Poga 3. Akumulatora kasetne

⚠ UZMANĪBU: Vienmēr ievietojiet akumulatora kasetni tā, lai sarkanais indikators nebūtu redzams. Pretējā gadījumā tā var nejauši izkrist no darbarīka un izraisīt jums vai apkārtējiem traumas.

⚠ UZMANĪBU: Neievietojiet akumulatora kasetni ar spēku. Ja kasetne neslīd ietvarā viegli, tā nav pareizi ielikta.

PIEZĪME: Darbarīks nedarbojas ar tikai vienu akumulatora kasetni.

Atlikušās akumulatora jaudas indikators

Nospiediet akumulatora kasetnes pārbaudes pogu, lai pārbaudītu akumulatora atlikušo uzlādes līmeni. Indikatori iedegsies uz dažām sekundēm.

► Att.3: 1. Indikatora lampas 2. Pārbaudes poga

Indikatora lampas			Atlikusī jauda
Iededzies	Izslēgts	Mirgo	
■	□	◐	No 75% līdz 100%
■	■	□	No 50% līdz 75%
■	■	□	No 25% līdz 50%
■	□	□	No 0% līdz 25%
◐	□	□	Uzlādējiet akumulatoru.
■	■	□	Iespējama akumulatora kļūme.
□	□	■	

PIEZĪME: Reālā jauda var nedaudz atšķirties no norādītās atkarībā no lietošanas apstākļiem un apkārtējās temperatūras.

PIEZĪME: Akumulatora aizsardzības sistēmas darbības laikā mirgo pirmais (kreisais malējais) indikators.

Darbarīka/akumulatora aizsardzības sistēma

Darbarīks ir aprīkots ar darbarīka/akumulatora aizsardzības sistēmu. Šī sistēma automātiski izslēdz jaudas padevi motoram, lai pagarinātu darbarīka un akumulatora kalpošanas laiku. Darbarīks automātiski pārstās darboties ekspluatācijas laikā, ja darbarīku vai akumulatoru pakļaus kādam no šiem apstākļiem. Dažu apstākļu gadījumā izgaismojas indikatori.

Aizsardzība pret pārslodzi

Ja darbarīku/akumulatoru lieto tā, ka tas patērē pārmērīgi lielu strāvas daudzumu, darbarīks automātiski pārstāj darboties. Šādā gadījumā izslēdziet darbarīku un pārtrauciet darbību, kas izraisa darbarīka pārslodzi. Pēc tam ieslēdziet darbarīku, lai atsāktu darbu.

Aizsardzība pret pārkaršanu

Ja darbarīks/akumulators ir pārkaršis, darbarīks automātiski izslēdzas un sāk mirgot indikators. Šādā gadījumā pirms darbarīka atkārtotas ieslēgšanas ļaujiet tam atdzist.

Aizsardzība pret akumulatora pārmērīgu izlādi

Kad atlikušā akumulatora jauda ir zema, darbarīks automātiski pārstāj darboties un sāk mirgot akumulatora kasetnes indikators. Ja darbarīks nedarbojas pat pēc slēdžu ieslēgšanas, izņemiet no darbarīka akumulatorus un uzlādējiet tos.

Aizsardzība pret citiem cēloņiem

Aizsardzības sistēma ir paredzēta arī pret citiem cēloņiem, kas varētu radīt darbarīka bojājumus, un nodrošina automātisku darbarīka apturēšanu. Ja darbarīka darbība ir īslaicīgi apstājusies vai tas pārstājis darboties, veiciet visas tālāk norādītās darbības, lai novērstu cēloņus.

1. Izslēdziet un atkal ieslēdziet darbarīku, lai to atkārtoti iedarbinātu.
2. Uzlādējiet akumulatoru(-s) vai nomainiet to(-s) ar uzlādētu(-iem) akumulatoru(-iem).
3. Ļaujiet ierīcei un akumulatoram(-iem) atdzist.

Ja pēc aizsardzības sistēmas atjaunošanas nav uzlabojumu, sazinieties ar vietējo Makita tehniskās apkopes centru.

IEVĒRĪBAI: Ja darbarīks izslēdzas kāda iepriekš neaprauktā iemesla dēļ, skatiet sadaļu par problēmu novēršanu.

Brīdinājums par pārslodzi

Ja darbarīks tiek pakļauts pārmērīgai slodzei, pārslodzes indikators sāk mirgot sarkanā krāsā. Šādā gadījumā samaziniet darbarīka slodzi. Indikators pārstās mirgot.

► **Att.4:** 1. Pārslodzes indikators

Slēdža darbība

▲BRĪDINĀJUMS: Pirms akumulatora kasetnes uzstādīšanas darbarīkā vienmēr pārbaudiet, vai slēdža mēlīte darbojas pareizi un pēc atlaišanas atgriežas stāvoklī „OFF” (Izslēgts).

▲BRĪDINĀJUMS: AIZLIEGTS neitralizēt atbloķēšanas pogas darbību, un aplīmējot vai citādāk pārveidojot. Ja atbloķēšanas pogas darbība ir neitralizēta, slēdzis var izraisīt neparedzētu darbību un radīt smagas traumas.

▲BRĪDINĀJUMS: NEKAD nelietojiet darbarīku, ja tas ieslēdzas, kad nospiežat slēdža mēlīti, bet nav nospiesta atbloķēšanas poga. Slēdzis, ko nepieciešams labot, var izraisīt neīstu darbību un radīt nopietnus ievainojumus. PIRMS turpmākas ekspluatācijas nododiet darbarīku Makita apkopes centrā, lai to atbilstīgi saremontētu.

Lai novērstu nesaistošu slēdža mēlītes piespiešanu, darbarīks ir aprīkots ar bloķēšanas pogu. Lai ieslēgtu darbarīku, nospiediet atbloķēšanas pogu un tad nospiediet slēdža mēlīti. Lai apturētu darbarīku, atlaidiet slēdža mēlīti.

► **Att.5:** 1. Slēdža mēlīte 2. Bloķēšanas poga

IEVĒRĪBAI: Nespiediet slēdža mēlīti ar spēku, ja nav nospiesta atbloķēšanas poga. Tā var sabojāt slēdzi.

Lampas iedegšana

▲UZMANĪBU: Neskatieties gaismā, neļaujiet tās avotam iespidēt acis.

Lai ieslēgtu lampiņu, nospiediet lampiņas pogu. Lai izslēgtu, vēlreiz nospiediet lampiņas pogu.

► **Att.6:** 1. Lampiņas poga 2. Lampiņa

PIEZĪME: Lampiņa automātiski izslēgsies, ja ierīce netiks izmantota ilgāk par vienu minūti.

Ripas pārsega regulēšana

Turiet ripas pārsega rokturi un noregulējiet ripas pārsega pozīciju atbilstoši veicamajam darbam.

► **Att.7:** 1. Ripas pārsega rokturis

Aktīvās reakcijas tehnoloģija (Active feedback sensing technology)

Darbarīks automātiski nosaka situācijas, kurās ripa varētu iestrēgt. Šādās situācijās darbarīks automātiski izslēdzas, lai novērstu turpmāku vārpstas griešanas (tas nenovērš atsitieni rašanos).

Lai atkārtoti ieslēgtu darbarīku, vispirms to izslēdziet, novērsiet darbarīka ātruma pēkšņās samazināšanās iemeslu un tad atkal ieslēdziet darbarīku.

Elektrobremze

Elektrobremze tiek ieslēgta pēc darbarīka izslēgšanas. Bremze nedarbojas, ja barošana ir izslēgta, piemēram, tiek izņemts akumulators, kad slēdzis vēl ir ieslēgšanas stāvoklī.

MONTĀŽA

⚠UZMANĪBU: Pirms darbarīka regulēšanas vai apkopes vienmēr pārliecinieties, ka darbarīks ir izslēgts un akumulatora kasetne ir izņemta.

Dimanta ripas uzstādīšana un noņemšana

⚠UZMANĪBU: Ripu uzstādiat vai noņemat tikai ar Makita uzgriežņu atslēgu.

⚠UZMANĪBU: Uzstādot ripu, pārbaudiet, vai bultskrūve ir cieši pieskrūvēta.

⚠UZMANĪBU: Kad ripa griežas, nespiediet vārpstas bloķētāja pogu.

Lai noņemtu ripu, nospiediet vārpstas bloķētāja pogu un grieziet ripu, līdz to vairs nav iespējams pagriezt. Turot vārpstas bloķētāju pilnībā nofiksētu, ar galatslēgu grieziet seššķautņu bultskrūvi pretēji pulksteņrādītāju kustības virzienam. Pēc tam seīgi noņemiet seššķautņu bultskrūvi, atloku, ripu, gredzenu un atloku.

► **Att.8:** 1. Vārpstas bloķētāja poga 2. Galatslēga 3. Pievilkt 4. Atlaist

► **Att.9:** 1. Sešstūru galvas skrūve 2. Atloks 3. Gredzens 4. Dimanta ripa 5. Bultiņa (ripas rotācijas virziens)

Lai uzstādītu ripu, izpildiet noņemšanas darbības pretējā secībā.

NOTEIKTI CIEŠI PIEVELCIET SEŠSTŪRGALVAS BULTSKRŪVI.

⚠UZMANĪBU: Ripu vienmēr uzstādiat tā, lai bultiņa uz tās būtu vērsta uz to pašu pusi, uz kuru ir vērsta bultiņa uz ripas pārsega. Citādi ripa griezīsies pretējā virzienā un var kādu savainot.

⚠UZMANĪBU: Izmantojiet tikai tādas ripas, kuru norādītais izmantošanas ātrums ir vienāds ar vai lielāks par darbarīka maksimālo ātrumu.

PIEZĪME: Uzstādot ripu, gādājiet, lai atloki tiktu uzstādīti tā, ka atloka plakanā puse ir vērsta pret ripu, un piestipriniet gredzenu, kas atbilst ripas iekšējam diametram.

► **Att.10:** 1. Sešstūru galvas skrūve 2. Atloks 3. Gredzens 4. Dimanta ripa

Putekļu sūcēja pievienošana

IEVĒRĪBAI: Ja nepievienojat putekļu sūcēju, vienmēr aizveriet vāciņu.

Ja vēlaties tīru zāģējumu, pievienojiet darbarīkam Makita putekļu sūcēju.

Atveriet vāciņu un pievienojiet putekļu sūcēja šļūteni.

► **Att.11:** 1. Vāciņš 2. Putekļu sūcēja uzgalis 3. Šļūtene 4. Putekļu sūcējs

Putekļu sūcēja uzgaļa leņķi var mainīt, kā parādīts attēlā.

► **Att.12**

Šļūtenes skava

IEVĒRĪBAI: Kad darbarīku neizmantojat, noņemiet no tā šļūtenes skavu.

IEVĒRĪBAI: Neatveriet un neaizveriet šļūtenes skavu ar pārmērīgu spēku. Pretējā gadījumā šļūtenes skava var salūzt.

Lai atvieglotu rīkošanos ar putekļu sūcēja šļūteni, var piestiprināt šļūtenes skavu.

1. Piestipriniet uz šļūtenes vai nu šļūtenes skavu A, vai šļūtenes skavu B.

Veids	Piemērotais ārējais šļūtenes diametrs
Šļūtenes skava A	ø 40 mm – ø 46 mm (ø 1-9/16" – ø 1-13/16")
Šļūtenes skava B	ø 35 mm – ø 40 mm (ø 1-3/8" – ø 1-9/16")

► **Att.13:** 1. Šļūtenes skava A / šļūtenes skava B 2. Šļūtene

2. Ievietojiet šļūtenes skavas tapas skavas turētāja caurumos.

Pārbaudiet, vai tapas ir ievirzītas caurumos.

► **Att.14:** 1. Tapa 2. Caurums 3. Skavas turētājs

3. Lai noņemtu šļūtenes skavu, iepriekš aprakstītās darbības izpildiet pretējā secībā.

Galatslēgas glabāšana

Kad galatslēga netiek lietota, glabājiet to, kā parādīts attēlā, lai atslēgu nepazaudētu.

► **Att.15:** 1. Galatslēga

EKSPLUATĀCIJA

Apakšējā aizsarga funkcijas pārbaude

Izņemiet akumulatora kasetni.

Manuāli pavelciet apakšējo aizsargu līdz gala pozīcijai un tad atlaidiet to. Apakšējais aizsargs darbojas pareizi, ja:

— to var izvilkēt bez aizķeršanās un

— tā automātiski atgriežas sākotnējā pozīcijā.

► **Att.16:** 1. Apakšējais aizsargs

Ja apakšējais aizsargs nedarbojas pareizi, pārbaudiet, vai ripas pārsega iekšpusē nav sakrājušies gruži.

Daļu gružu var aizvākt, apakšējo aizsargu vairākas reizes izvelkot un atvirzot vietā.

Ja apakšējais aizsargs nedarbojas pareizi arī pēc skaidu iztīrīšanas, ierīce ir jāpārbauda Makita apkopes centrā.

Paziņojums par neparastu troksni

IEVĒRĪBAI: Neizmantojiet deformētu vai vecu dimanta ripu. Pretējā gadījumā var rasties darbības traucējumi, neparasts troksnis vai ripa var salūzt.

Pat ja dimanta ripa ir jauna un bez deformācijas, dimanta ripa var radīt neparastu troksni, piemēram, metāla rīvēšanas, kad darbarīks darbojas mazā ātrumā. Tas nav darbarīka darbības traucējums.

Dažu veidu dimanta ripas rada neparastu troksni, darbarīkam darbojoties mazā ātrumā. Tas ir tāpēc, ka efektīvas putekļu savākšanas nolūkā dimanta ripa un ripas pārsegs atrodas ļoti tuvu viens otram.

Darbiniet darbarīku pilnā ātrumā un veiciet pareizu griešanu. Neparastais troksnis mazināsies.

Zaģēšana

⚠UZMANĪBU: Darba laikā apstrādājamais materiāls stingri jātur uz stabila sola vai galda.

⚠UZMANĪBU: Darbarīku griezumā nedrīkst kustināt un spiest, jo motoram var rasties pārslo-dze vai apstrādājamais materiāls var salūzt.

⚠UZMANĪBU: Darba laikā neceliet darbarīku augstāk par plecu augstumu.

► Att.17

1. Turiet darbarīku cieši. Aizmugures rokturi satveriet ar labo roku, bet priekšējo rokturi – ar kreiso roku. Lai izvairītos no strāvas trieciena, ja gadās nejauši iegriezt elektrības vadā, turiet priekšējo rokturi tikai aiz attēlā parādītajām daļām.

► **Att.18:** 1. Turēšanai izmantojamā daļa

2. Ieslēdziet darbarīku, dimanta ripai nesaskaroties ar virsmu, un nogaidiet, kamēr dimanta ripa sasniedz maksimālo ātrumu.

3. Maigi ievadiet dimanta ripu taisni griežamajā materiālā un vienmērīgi virziet darbarīku atpakaļ, līdz griešana ir pabeigta.

• Gādājiet, lai griešanas līnija būtu taisna un virzī-bas ātrums nemainīgs.

• Virziet darbarīku uz apakšējā pārsega esošās bultīņas virzienā.

Virzot darbarīku uz priekšu (bīdot darbarīku pretēji bultīņas virzienam), ievērojami pasliktinās putekļu savākšanas efektivitāte.

► **Att.19:** 1. Bultīņa

• Turiet apakšējo aizsargu piespiestu griežamajam materiālam. Ja ir atstarpe starp apakšējo aizsargu un griežamo materiālu, putekļi izkļūst ārā un putekļu savākšanas efektivitāte samazinās.

► **Att.20:** 1. Apakšējais aizsargs

PIEZĪME: Ja akumulatora kasetnes temperatūra ir zema, darbarīks var nedarboties ar pilnu jaudu. Kamēr akumulatora kasetne uzsilst līdz istabas temperatūrai, darbarīks jāizmanto nelielām griešanas darbībām. Tad darbarīks varēs izmantot pilnu akumu-latora ietilpību.

PIEZĪME: Ja dimanta ripa sāk sliktāk griezt, tās oso malu izlīdzina gar vecu un nolietotu raujpu slīpma-šīnas ripu vai betona virsmu. Nedaudz uzspiež uz dimanta ripas ārējās malas un izlīdzina.

BEZVADU SISTĒMAS AKTIVIZĒŠANAS FUNKCIJA

Papildpiederums

IEVĒRĪBAI: Pirms izmantot šo funkciju, uzstā-diet papildpiederumu – putekļu aizsargu.

Iespējas, ko sniedz bezvadu sistēmas aktivizēšanas funkcija

Bezvadu sistēmas aktivizēšanas funkcija nodrošina tīru un ērtu darbību. Pieslēdzot atbilstošu putekļu sūcēju darbarīkam, putekļu sūcēju iespējams darbināt automā-tiski kopā ar darbarīka pārslēgšanas darbību.

► Att.21

Lai izmantotu bezvadu sistēmas aktivizēšanas funkciju, sagatavojiet ierīces.

- Bezvadu ierīci (papildu piederums)
- Putekļu sūcēju, kas atbalsta bezvadu sistēmas aktivizēšanas funkciju

Bezvadu sistēmas aktivizēšanas funkcijas iestatīša-nas kopsavilkums. Plašāk par darbībām skatiet šajās sadaļās.

1. Bezvadu ierīces uzstādīšana
2. Darbarīka reģistrācija putekļu sūcējam
3. Bezvadu sistēmas aktivizēšanas funkcijas startēšana

Bezvadu ierīces uzstādīšana

Papildu piederumi

⚠UZMANĪBU: Kad uzstādāt bezvadu ierīci, dar-barīku nolieciet uz līdzenas un stabilas virsmas.

IEVĒRĪBAI: Pirms bezvadu ierīces uzstādīšanas no darbarīka notīriet putekļus un netīrumus. Ja bezvadu ierīces atverē iekļūst putekļi vai netīrumi, tie var izraisīt darbības traucējumus.

IEVĒRĪBAI: Lai novērstu statiskās enerģijas radītos darbības traucējumus, pirms bezvadu ierīces pacelšanas pieskarieties statisko enerģiju izlādējošam materiālam, piemēram, darbarīka metālistikajai daļai.

IEVĒRĪBAI: Uzstādot bezvadu ierīci, vienmēr pārliecinieties, ka bezvadu ierīce ievietota parei-zajā virzienā, un pārsegs ir pilnībā aizvērts.

1. Atveriet darbarīka pārsegu, kā parādīts attēlā.
► **Att.22:** 1. Pārsegs

2. Bezvadu ierīci pievienojiet atverei un aizveriet pārsegu.

Pievienojot bezvadu ierīci, izvirzījumus savietojiet ar padziļinājuma vietām uz atveres.

► **Att.23:** 1. Bezvadu ierīce 2. Izvirzījums 3. Pārsegs
4. Padziļinājuma daļa

Noņēmot bezvadu ierīci, pārsegu atveriet lēni. Ar āķiem pārsega aizmugurē bezvadu ierīce pacelsies līdz ar pārsega atvēršanu.

► **Att.24:** 1. Bezvadu ierīce 2. Āķis 3. Pārsegs

Pēc bezvadu ierīces noņemšanas glabājiet to komplekta ietvarā vai nestatiskā konteinerā.

IEVĒRĪBAI: Noņēmot bezvadu ierīci, vienmēr izmantojiet āķus pārsega aizmugurē. Ja āķi nesatver bezvadu ierīci, tad pārsegu aizveriet un lēni atkal atveriet.

Darbarīka reģistrācija putekļu sūcējam

PIEZĪME: Lai reģistrētu darbarīku, nepieciešams Makita putekļu sūcējs, kas atbalsta bezvadu sistēmas aktivizēšanas funkciju.

PIEZĪME: Vispirms pabeidziet bezvadu ierīci uzstādi darbarīkam, tikai tad sāciet darbarīka reģistrāciju.

PIEZĪME: Darbarīka reģistrācijas laikā nospiediet slēdža mēlīti un nospiediet ieslēgšanas slēdzi uz putekļu sūcēja.

PIEZĪME: Skatiet arī putekļu sūcēja lietošanas rokasgrāmatu.

Ja putekļu sūcēju vēlaties aktivizēt reizē ar darbarīka pārslēgšanas darbību, vispirms pabeidziet darbarīka reģistrāciju.

1. Putekļu sūcējā un darbarīkā ielieciet akumulatorus.
2. Gaidstāves slēdzi uz putekļu sūcēja pārslēdziet pozīcijā „AUTO”.
► **Att.25:** 1. Gaidstāves slēdzis
3. Nospiediet bezvadu sistēmas aktivizēšanas pogu uz putekļu sūcēja un turiet 3 sekundes, līdz bezvadu sistēmas aktivizēšanas lampiņa mirgo zaļā krāsā. Un tad tādā pašā veidā nospiediet bezvadu sistēmas aktivizēšanas pogu uz darbarīka.
► **Att.26:** 1. Bezvadu sistēmas aktivizēšanas poga
2. Bezvadu sistēmas aktivizēšanas lampiņa

Ja putekļu sūcējs un darbarīks savienoti veiksmīgi, bezvadu sistēmas aktivizēšanas lampiņas 2 sekundes degs zaļā krāsā un tad sāks mirgot zilā krāsā.

PIEZĪME: Bezvadu sistēmas aktivizēšanas lampiņas zaļā krāsā beidz mirgot pēc 20 sekundēm. Kamēr uz putekļu sūcēja mirgo bezvadu sistēmas aktivizēšanas lampiņa, nospiediet bezvadu sistēmas aktivizēšanas pogu uz darbarīka. Ja bezvadu sistēmas aktivizēšanas lampiņa nemirgo zaļā krāsā, uz mirkli piespiediet un atkal paturiet nospiestu bezvadu sistēmas aktivizēšanas pogu.

PIEZĪME: Ja vienam putekļu sūcējam reģistrējāt divus vai vairākus darbarīkus, tad darbarīku reģistrāciju pabeidziet secīgi.

Bezvadu sistēmas aktivizēšanas funkcijas startēšana

PIEZĪME: Vispirms pabeidziet darbarīka reģistrāciju putekļu sūcējam, tikai tad aktivizējiet bezvadu sistēmu.

PIEZĪME: Skatiet arī putekļu sūcēja lietošanas rokasgrāmatu.

Kad putekļu sūcējs būs reģistrēts darbarīkam, putekļu sūcējs automātiski darbosies kopā ar darbarīka pārslēgšanas darbību.

1. Uzstādi bezvadu ierīci darbarīkam.
2. Putekļu sūcēja šļūteni savienojiet ar darbarīku.
► **Att.27**
3. Gaidstāves slēdzi uz putekļu sūcēja pārslēdziet pozīcijā „AUTO”.
► **Att.28:** 1. Gaidstāves slēdzis
4. Uz mirkli piespiediet bezvadu sistēmas aktivizēšanas pogu uz darbarīka. Bezvadu sistēmas aktivizēšanas lampiņa iemigosies zilā krāsā.
► **Att.29:** 1. Bezvadu sistēmas aktivizēšanas poga
2. Bezvadu sistēmas aktivizēšanas lampiņa
5. Ieslēdziet darbarīku. Pārliecinieties, ka laikā, kad izmantojat darbarīku, putekļu sūcējs darbojas.

Lai apturētu putekļu sūcēja bezvadu sistēmas aktivizēšanu, nospiediet bezvadu sistēmas aktivizēšanas pogu uz darbarīka.

PIEZĪME: Bezvadu sistēmas aktivizēšanas lampiņa uz darbarīka beigs mirgot zilā krāsā, kad darbarīks bezdarbībā būs bijis 2 stundas. Šajā gadījumā gaidstāves slēdzi uz putekļu sūcēja pārslēdziet pozīcijā „AUTO” un atkal nospiediet bezvadu sistēmas aktivizēšanas pogu uz darbarīka.

PIEZĪME: Putekļu sūcējs ieslēdzas/izslēdzas ar aizkavi. Kad putekļu sūcējs konstatē darbarīka pārslēgšanas darbību, rodas laika nobīde.


PIEZĪME: Atrāšanās vietas un apkārtējo apstākļu dēļ var atšķirties bezvadu ierīces signāla uztveršanas attālums.

PIEZĪME: Kad pie viena putekļu sūcēja pieslēgti divi vai vairāki darbarīki, putekļu sūcējs var sākt darboties pat tad, ja jūs neieslēdzat darbarīku, jo bezvadu sistēmas aktivizēšanas funkciju izmanto cits lietotājs.

Bezvadu sistēmas aktivizēšanas lampiņas statusa apraksts

► Att.30: 1. Bezvadu sistēmas aktivizēšanas lampiņa

Bezvadu sistēmas aktivizēšanas lampiņa rāda bezvadu sistēmas aktivizēšanas funkcijas statusu. Lampiņas statusa nozīme norādīta tabulā.

Statuss	Bezvadu sistēmas aktivizēšanas lampiņa				Apraksts
	Krāsa	 Deg	 Mirgo	Ilgums	
Gaidstāve	Zila	<input checked="" type="checkbox"/>		2 stundas	Putekļu sūcēja bezvadu sistēmas aktivizēšana ir iespējama. Kad darbarīks bezdarbībā būs bijis 2 stundas, lampiņa izslēgsies automātiski.
		<input type="checkbox"/>		Kad darbarīks darbojas.	Putekļu sūcēja bezvadu sistēmas aktivizēšana ir iespējama, darbarīks darbojas.
Darbarīka reģistrācija	Zaļa	<input checked="" type="checkbox"/>		20 sekundes	Sistēma ir gatava darbarīka reģistrācijai. Tiek gaidīta putekļu sūcēja reģistrācija.
		<input type="checkbox"/>		2 sekundes	Darbarīka reģistrācija ir pabeigta. Bezvadu sistēmas aktivizēšanas lampiņa sāks mirgot zilā krāsā.
Darbarīka reģistrācijas atcelšana	Sarkana	<input checked="" type="checkbox"/>		20 sekundes	Sistēma ir gatava darbarīka reģistrācijas atcelšanai. Tiek gaidīta reģistrācijas atcelšana no putekļu sūcēja puses.
		<input type="checkbox"/>		2 sekundes	Darbarīka reģistrācijas atcelšana ir pabeigta. Bezvadu sistēmas aktivizēšanas lampiņa sāks mirgot zilā krāsā.
Cits	Sarkana	<input type="checkbox"/>		3 sekundes	Bezvadu ierīce saņem strāvu, sāk darboties bezvadu sistēmas aktivizēšanas funkcija.
	Nedeg	-		-	Putekļu sūcēja bezvadu sistēmas aktivizēšana ir apturēta.

Darbarīka reģistrācijas atcelšana putekļu sūcējam

Atceļot darbarīka reģistrāciju putekļu sūcējam, jārikojas šādi.

1. Putekļu sūcējā un darbarīkā ielieciet akumulatorus.
2. Gaidstāves slēdzi uz putekļu sūcēja pārslēdziet pozīcijā „AUTO”.
► **Att.31: 1.** Gaidstāves slēdzis
3. Nospiediet bezvadu sistēmas aktivizēšanas pogu uz putekļu sūcēja un turiet 6 sekundes. Bezvadu sistēmas aktivizēšanas lampiņa nomirgo zaļā krāsā un tad kļūst sarkana. Pēc tam tādā pašā veidā nospiediet bezvadu sistēmas aktivizēšanas pogu uz darbarīka.
► **Att.32: 1.** Bezvadu sistēmas aktivizēšanas poga
2. Bezvadu sistēmas aktivizēšanas lampiņa

Ja atcelšana notikusi veiksmīgi, bezvadu sistēmas aktivizēšanas lampiņas 2 sekundes degs sarkanā krāsā un sāks mirgot zilā krāsā.

PIEZĪME: Bezvadu sistēmas aktivizēšanas lampiņas sarkanā krāsā beidz mirgot pēc 20 sekundēm. Kamēr uz putekļu sūcēja mirgo bezvadu sistēmas aktivizēšanas lampiņa, nospiediet bezvadu sistēmas aktivizēšanas pogu uz darbarīka. Ja bezvadu sistēmas aktivizēšanas lampiņa nemirgo sarkanā krāsā, uz mirkli piespiediet un atkal paturiet nospiestu bezvadu sistēmas aktivizēšanas pogu.

Traucējummeklēšana bezvadu sistēmas aktivizēšanas funkcijai

Pirms nodošanas remontā vispirms veiciet pārbaudi pats. Ja konstatējat kļūmi, kas nav aprakstīta rokasgrāmātā, nemēģiniet darbarīku izjaukt. Dodieties uz Makita pilnvarotu apkopes centru un remontam vienmēr izmantojiet tikai Makita rezerves daļas.

Neatbilstošas darbības stāvoklis	Iespējamais iemesls (kļūme)	Risinājums
Bezvadu sistēmas aktivizēšanas lampiņa neiedegas/nemirgo.	Bezvadu ierīce darbarīkā nav uzstādīta. Bezvadu ierīce darbarīkā ir uzstādīta nepareizi.	Uzstādiet bezvadu ierīci pareizi.
	Bezvadu ierīces izvads un/vai atvere ir netīra.	Uzmanīgi noslaukiet putekļus un netrumus no bezvadu ierīces izvada un iztīriet atveri.
	Bezvadu sistēmas aktivizēšanas poga uz darbarīka nav nospiesta.	Uz mirkli piespiediet bezvadu sistēmas aktivizēšanas pogu uz darbarīka.
	Gaidstāves slēdzis uz putekļu sūcēja nav ieslēgts pozīcijā „AUTO”.	Gaidstāves slēdzi uz putekļu sūcēja pārslēdziet pozīcijā „AUTO”.
	Nav strāvas padeves	Pieslēdziet strāvas padevi darbarīkam un putekļu sūcējam.
Neizdodas veiksmīgi pabeigt darbarīka reģistrāciju/darbarīka reģistrācijas atcelšanu.	Bezvadu ierīce darbarīkā nav uzstādīta. Bezvadu ierīce darbarīkā ir uzstādīta nepareizi.	Uzstādiet bezvadu ierīci pareizi.
	Bezvadu ierīces izvads un/vai atvere ir netīra.	Uzmanīgi noslaukiet putekļus un netrumus no bezvadu ierīces izvada un iztīriet atveri.
	Gaidstāves slēdzis uz putekļu sūcēja nav ieslēgts pozīcijā „AUTO”.	Gaidstāves slēdzi uz putekļu sūcēja pārslēdziet pozīcijā „AUTO”.
	Nav strāvas padeves	Pieslēdziet strāvas padevi darbarīkam un putekļu sūcējam.
	Nepareiza darbība	Uz mirkli piespiediet bezvadu sistēmas aktivizēšanas pogu un atkal veiciet darbarīka reģistrācijas/atcelšanas procedūru.
	Darbarīks un putekļu sūcējs atrodas tālu viens no otra (ārpus signāla uztveršanas zonas).	Darbarīku un putekļu sūcēju novietojiet tuvāk vienu otram. Maksimālais signāla uztveršanas attālums ir apmēram 10 m, taču apstākļu ietekmē tas var atšķirties.
	Pirms darbarīka reģistrācijas/atcelšanas pabeigšanas - darbarīka slēdzis ir ieslēgts vai - ieslēgšanas poga uz putekļu sūcēja ir ieslēgta.	Uz mirkli piespiediet bezvadu sistēmas aktivizēšanas pogu un atkal veiciet darbarīka reģistrācijas/atcelšanas procedūru.
	Darbarīka reģistrācijas procedūra darbarīkam vai putekļu sūcējam nav pabeigta.	Vienlaikus veiciet darbarīka reģistrācijas procedūru gan darbarīkam, gan putekļu sūcējam.
	Radio traucējumi no citām iekārtām, kas ģenerē ļoti intensīvus radio viļņus.	Darbarīku un putekļu sūcēju neturiet tādu iekārtu tuvumā kā bezvadu tehnoloģiju (Wi-Fi) ierīces un mikroviļņu krāsnis.
Putekļu sūcējs nedarbojas kopā ar darbarīka pārslēgšanas darbību.	Bezvadu ierīce darbarīkā nav uzstādīta. Bezvadu ierīce darbarīkā ir uzstādīta nepareizi.	Uzstādiet bezvadu ierīci pareizi.
	Bezvadu ierīces izvads un/vai atvere ir netīra.	Uzmanīgi noslaukiet putekļus un netrumus no bezvadu ierīces izvada un iztīriet atveri.
	Bezvadu sistēmas aktivizēšanas poga uz darbarīka nav nospiesta.	Uz mirkli piespiediet bezvadu sistēmas aktivizēšanas pogu un pārliecinieties, ka bezvadu sistēmas lampiņa mirgo zilā krāsā.
	Gaidstāves slēdzis uz putekļu sūcēja nav ieslēgts pozīcijā „AUTO”.	Gaidstāves slēdzi uz putekļu sūcēja pārslēdziet pozīcijā „AUTO”.
	Pie putekļu sūcēja ir pieslēgti vairāk nekā 10 darbarīki.	Atkārtoti reģistrējiet darbarīku. Ja putekļu sūcējam reģistrēti vairāk nekā 10 darbarīki, automātiski tiks atslēgts vissienāk reģistrētais darbarīks.
	Visu reģistrēto darbarīku iestatījumi ir izdzēsti no putekļu sūcēja.	Atkārtoti reģistrējiet darbarīku.
	Nav strāvas padeves	Pieslēdziet strāvas padevi darbarīkam un putekļu sūcējam.
	Darbarīks un putekļu sūcējs atrodas tālu viens no otra (ārpus signāla uztveršanas zonas).	Darbarīku un putekļu sūcēju novietojiet tuvāk vienu pie otra. Maksimālais signāla uztveršanas attālums ir apmēram 10 m, taču apstākļu ietekmē tas var atšķirties.
	Radio traucējumi no citām iekārtām, kas ģenerē ļoti intensīvus radio viļņus.	Darbarīku un putekļu sūcēju neturiet tādu iekārtu tuvumā kā bezvadu tehnoloģiju (Wi-Fi) ierīces un mikroviļņu krāsnis.
Putekļu sūcējs darbojas, kamēr darbarīks nedarbojas.	Putekļu sūcēja bezvadu sistēmas aktivizēšanas funkciju saviem darbarīkiem izmanto citi lietotāji.	Izslēdziet citu darbarīku bezvadu aktivizēšanas pogu vai atceliet darbarīka reģistrāciju citiem darbarīkiem.

APKOPE

⚠UZMANĪBU: Pirms darbarīka pārbaudes vai apkopes vienmēr pārliecinieties, ka darbarīks ir izslēgts un akumulatora kasetne ir izņemta.

IEVĒRĪBAI: Nekad neizmantojiet gazolinu, benzīnu, atšķaidītāju, spirtu vai līdzīgus šķidrumus. Tas var radīt izbalēšanu, deformāciju vai plaisas.

Lai saglabātu izstrādājuma DROŠU un UZTICAMU darbību, remontdarbus, apkopi un regulēšanu uzticiet veikt tikai Makita pilnvarotam vai rūpnīcas apkopes centram, un vienmēr izmantojiet tikai Makita rezerves daļas.

Darbarīka tīršana

IEVĒRĪBAI: Nemazgājiet darbarīku ar ūdeni.

Pēc katras lietošanas reizes izņemiet akumulatora kasetnes un noņemiet ripu, un pēc tam iztīriet putekļus un netīrumus, kas uzkrājas ripas pārsega iekšpusē. Tīriet darbarīka korpusu, noslaukot putekļus un netīrumus ar sausu drānu vai drānu, kas samērcēta ziepjūdenī un izgriezta. Ar sausu drānu notīriet netīrumus no lampas. Nesaskrāpējiet lampas lēcu, jo tādējādi pasliktināsies apgaismojums.

► **Att.33:** 1. Ripas pārsegs 2. Lampas aizsargs

Ventilācijas atveres tīršana

Tīriet darbarīka ventilācijas atveres regulāri vai arī ikreiz, kad tās nosprostojas.

► **Att.34:** 1. Gaisa atvere

Sinhronizācijas siksnas nomaīņa

1. Noņemiet akumulatora kasetnes un ripu.

2. Atskrūvējiet sešstūru iedobes skrūves, izmantojot galatslēgas galu, un tad noņemiet pārsegu.

► **Att.35:** 1. Galatslēga 2. Sešstūrgalvas bultskrūve 3. Pārsegs

3. Turiet nospiestu vārpstas bloķētāja pogu, lai fiksētu lielo skriemeli, un pēc tam ar galatslēgas tievo galu grieziet uzgriezni pretēji pulksteņrādītāju kustības virzienam.

► **Att.36:** 1. Lielais skriemelis 2. Vārpstas bloķētāja poga

4. Turiet nospiestu vārpstas bloķētāja pogu, lai fiksētu lielo skriemeli, un pēc tam ar galatslēgas resno galu grieziet mazo disku pretēji pulksteņrādītāju kustības virzienam, lai atbrīvotu sinhronizācijas siksnu.

► **Att.37:** 1. Vārpstas bloķētāja poga 2. Lielais skriemelis 3. Mazais disks

5. Noņemiet siksnu.

6. Liekot dzensiksnas rievās uz iekšpusi, piestipriniet vienu siksnas galu mazajam skriemelim un pēc tam piestipriniet otru siksnas galu lielajam skriemelim.

► **Att.38:** 1. Siksnas 2. Lielais skriemelis 3. Mazais skriemelis

7. Turiet nospiestu vārpstas bloķētāja pogu, lai fiksētu lielo skriemeli, un pēc tam ar galatslēgas resno galu grieziet mazo disku pulksteņrādītāju kustības virzienā, lai pievilktu siksnu.

► **Att.39:** 1. Vārpstas bloķētāja poga 2. Lielais skriemelis

PIEZĪME: Pārliecinieties, vai mazais disks atrodas attēlā norādītajā pozīcijā.

► **Att.40:** 1. Mazais disks

8. Turiet nospiestu vārpstas bloķētāja pogu, lai fiksētu lielo skriemeli, un pēc tam ar galatslēgas tievo galu grieziet uzgriezni pulksteņrādītāju kustības virzienā.

► **Att.41:** 1. Vārpstas bloķētāja poga

PIEZĪME: Pievelkot uzgriezni, izmantojiet 19-21 N•m lielu pievilksanas griezes momentu.

9. Uzlieciet pārsegu un tad pievelciet sešstūru iedobes skrūves, izmantojot galatslēgas galu.

► **Att.42:** 1. Galatslēga 2. Sešstūrgalvas bultskrūve 3. Pārsegs

PROBLĒMU NOVĒRŠANA

Pirms nodošanas remontā vispirms veiciet pārbaudi pats. Ja konstatējat kļūmi, kas nav aprakstīta rokasgrāmatā, nemēģiniet darbarīku izjaukt. Dodieties uz Makita pilnvarotu apkopes centru un remontam vienmēr izmantojiet tikai Makita rezerves daļas.

Neatbilstošas darbības stāvoklis	Iespējamais iemesls (kļūme)	Risinājums
Motors nedarbojas.	Nav ievietotas akumulatora kasetnes.	Ievietojiet divas akumulatora kasetnes. Darbarīks nedarbojas, ja ievietota tikai viena akumulatora kasetne.
	Akumulatora kļūme (zems spriegums)	Uzlādējiet akumulatoru. Ja uzlāde nesniedz vēlamo rezultātu, nomainiet akumulatora kasetni.
	Piedziņas sistēma nedarbojas pareizi.	Dodieties to remontēt vietējā pilnvarotā apkopes centrā.
Motors izslēdzas pēc neilgas darbināšanas.	Akumulatora uzlādes līmenis ir par zemu.	Uzlādējiet akumulatoru. Ja uzlāde nesniedz vēlamo rezultātu, nomainiet akumulatora kasetni.
	Darbarīks pārkaris.	Apturiet darbarīku, lai tas atdzistu.
Ripas griešanās ātrums pareizi nepalīdzinās arī tad, ja darbarīks 20 sekundes darbināts bez slodzes.	Nepareizi ievietota akumulatora kasetne.	Uzstādiet akumulatora kasetnes atbilstoši šīs rokasgrāmatas norādījumiem.
	Samazinās akumulatora jauda.	Uzlādējiet akumulatora kasetnes. Ja uzlāde nesniedz vēlamo rezultātu, nomainiet akumulatora kasetni.
	Sinhronizācijas sikсна izslīd.	Nomainiet sinhronizācijas sikсну ar jaunu.
	Piedziņas sistēma nedarbojas pareizi.	Dodieties to remontēt vietējā pilnvarotā apkopes centrā.
Ripa negriežas: ⇒ Nekavējoties apturiet mašīnu!	Sinhronizācijas sikсна izslīd.	Nomainiet sinhronizācijas sikсну ar jaunu.
	Starp ripas pārsegu un ripu ir iestrēdzis svešķermenis.	Vispirms izņemiet akumulatora kasetnes un pēc tam izņemiet svešķermeni.
Pārmērīga vibrācija: ⇒ Nekavējoties apturiet mašīnu!	Piedziņas sistēma nedarbojas pareizi.	Dodieties to remontēt vietējā pilnvarotā apkopes centrā.
	Nepareizi piestiprināta ripa.	Uzstādiet ripu, ievērojot norādījumus šajā rokasgrāmatā. Pievelciet bulskrūvi, lai nostiprinātu ripu.
Nevar apturēt griešanas instrumentu un motoru: ⇒ Nekavējoties izņemiet akumulatora kasetni!	Piedziņas sistēma nedarbojas pareizi.	Dodieties to remontēt vietējā pilnvarotā apkopes centrā.
	Elektriska vai elektroniska kļūme.	Izņemiet akumulatora kasetnes un sazinieties ar vietējo pilnvaroto apkopes centru, lai vienotos par remontu.
Slikts griešanas sniegums	Laiks nomainīt ripu.	Aizstājiet veco ripu ar jaunu.
Vāja putekļu sūcēja sūkšanas jauda.	Aizsērējis putekļu sūcēja filtrs.	Iztīriet filtru. Ja filtra tīrīšana neatrisina problēmu, nomainiet filtru.
Apakšējais aizsargs nedarbojas pareizi.	Ripas pārsega iekšpusē sakrājušies gruži.	Vairākas reizes izvelciet apakšējo aizsargu un atvīziet to atpakaļ vietā.

PAPILDU PIEDERUMI

⚠UZMANĪBU: Šādi piederumi un papildierces tiek ieteiktas lietošanai ar šajā rokasgrāmatā aprakstīto Makita darbarīku. Izmantojot citus piederumus vai papildierces, var tikt radīta traumu gūšanas bīstamība. Piederumu vai papildierci izmantojiet tikai paredzētajam mērķim.

Ja jums vajadzīga palīdzība vai precīzāka informācija par šiem piederumiem, vērsieties savā tuvākajā Makita apkopes centrā.

- Dimanta ripa
- Gredzena komplekts
- Sinhronizācijas sikсна

- Galatslēga
- Bezvadu ierīce
- Makita oriģinālais akumulators un lādētājs

PIEZĪME: Daži sarakstā norādītie izstrādājumi var būt iekļauti instrumenta komplektācijā kā standarta piederumi. Tie dažādās valstīs var būt atšķirīgi.

SPECIFIKACIJOS

Modelis:	CE002G
Disko skersmuo	350–355 mm
Didž. disko storis	4,0 mm
Didž. pjovimo gylis	127 mm
Vardinis greitis	4 200 min ⁻¹
Vardinė įtampa	Nuol. sr. 72 V – 80 V maks.
Rekomenduojamas vakuuminio valymo įrenginio oro srautas	Bent 1,8 m ³ /min
Bendrasis ilgis	825 mm
Grynasis svoris	13,1-15,1 kg

- Atliekame tęstinus tyrimus ir nuolatos tobuliname savo gaminius, todėl čia pateikiamos specifikacijos gali būti keičiamos be įspėjimo.
- Skirtingose šalyse specifikacijos gali skirtis.
- Svoris gali priklausyti nuo priedo (-ų), įskaitant akumulatoriaus kasetę. Lengviausias ir sunkiausias deriniai pagal EPTA 2014 m. sausio mėn. procedūrą yra parodyti lentelėje.

Tinkama akumulatoriaus kasetė ir (arba) įkroviklis

Akumulatoriaus kasetė	BL4040 / BL4050F* / BL4080F* *: rekomenduojamas akumulatoriaus
Įkroviklis	DC40RA / DC40RB / DC40RC

- Atsižvelgiant į gyvenamosios vietos regioną, kai kurios pirmiau nurodytos akumulatoriaus kasetės ir įkrovikliai gali būti neprieinami.

⚠️ISPĖJIMAS: Naudokite tik akumulatoriaus kasetes ir įkroviklius, kurie nurodyti anksčiau. Naudojant bet kurias kitas akumulatoriaus kasetes ir įkroviklius, gali kilti sužeidimo ir gaisro pavojus.

Simboliai

Toliau yra nurodyti simboliai, kurie gali būti naudojami įrangai. Prieš naudodami įsitinkinkite, kad suprantate jų reikšmę.



Perskaitykite instrukcijų vadovą.



Užsidėkite apsauginius akinius.



Nenaudokite šlifavimo-nupjovimo diskų.
Tinka tik deimantinis diskas.



Nepjaukite metalo.



Netiekite vandens.



Taikoma tik ES šalims

Kadangi įrangoje yra pavojingų komponentų, panaudota elektrinė ir elektroninė įranga, akumulatoriai ir baterijos gali turėti neigiamo poveikio aplinkai ir žmonių sveikatai.

Nešalinkite elektros ir elektroninių prietaisų ar baterijų kartu su buitėmis atliekomis! Pagal Europos direktyvą dėl elektros ir elektroninės įrangos atliekų bei akumuliatorių ir baterijų ir panaudotų akumuliatorių ir baterijų bei jos pritaikymą nacionaliniams įstatymams, panaudota elektros ir elektroninė įranga, baterijos ir akumulatoriai turi būti surenkami atskirai ir pristatomi į atskirą buitinių atliekų surinkimo punktą, kuris veikia pagal aplinkos apsaugos taisyklės. Tai rodo perbrauktas konteinerio ant ratukų simbolis, pateiktas ant įrangos.

Numatytoji naudojimo paskirtis

Šis įrankis skirtas mūro medžiagoms pjauti, naudojant deimantinį diską.

Triukšmas

Įprastas triukšmo A lygis, nustatytas pagal EN60745-2-22:

Garso slėgio lygis (L_{pA}): 106 dB (A)

Garso galios lygis (L_{WA}): 117 dB (A)

Paklaida (K): 3 dB (A)

PASTABA: Paskelbta (-os) triukšmo reikšmė (-ės) nustatyta (-os) pagal standartinį testavimo metodą ir jį galima naudoti vienam įrankiui palyginti su kitu.

PASTABA: Paskelbta (-os) triukšmo reikšmė (-ės) taip pat gali būti naudojama (-os) norint preliminariai įvertinti triukšmo poveikį.

⚠️ ĮSPĖJIMAS: Dėvėkite ausų apsaugą.

⚠️ ĮSPĖJIMAS: Faktiškai naudojant elektrinį įrankį, keliamo triukšmo dydis gali skirtis nuo paskelbtos (-ų) reikšmės (-ių), priklausomai nuo būdų, kuriais yra naudojamas šis įrankis, ir ypač nuo to, kokio tipo ruošinys apdirbamas.

⚠️ ĮSPĖJIMAS: Siekdami apsaugoti operatorių, būtinai įvertinkite saugos priemones, remdamiesi vibracijos poveikio įvertinimu esant faktinėms naudojimo sąlygoms (atsižvelgdami į visas darbo ciklo dalis, pavyzdžiui, ne tik kiek laiko įrankis veikia, bet ir kiek kartų jis yra išjungiamas bei kai jis veikia be apkrovų).

Vibracija

Darbo režimas: betono pjovimas

Kairė ranka		Dešinė ranka		Taikomas standartas
$a_{h,w}$ (m/s^2)	Paklaida K (m/s^2)	$a_{h,w}$ (m/s^2)	Paklaida K (m/s^2)	
$\leq 2,5$	1,5	$\leq 2,5$	1,5	EN60745-2-22

PASTABA: Paskelbta (-os) vibracijos bendroji (-osios) reikšmė (-ės) nustatyta (-os) pagal standartinį testavimo metodą ir jį galima naudoti vienam įrankiui palyginti su kitu.

PASTABA: Paskelbta (-os) vibracijos bendroji (-osios) reikšmė (-ės) taip pat gali būti naudojama (-os) norint preliminariai įvertinti vibracijos poveikį.

⚠️ ĮSPĖJIMAS: Faktiškai naudojant elektrinį įrankį, keliamos vibracijos dydis gali skirtis nuo paskelbtos (-ų) reikšmės (-ių), priklausomai nuo būdų, kuriais yra naudojamas šis įrankis, ir ypač nuo to, kokio tipo ruošinys apdirbamas.

⚠️ ĮSPĖJIMAS: Siekdami apsaugoti operatorių, būtinai įvertinkite saugos priemones, remdamiesi vibracijos poveikio įvertinimu esant faktinėms naudojimo sąlygoms (atsižvelgdami į visas darbo ciklo dalis, pavyzdžiui, ne tik kiek laiko įrankis veikia, bet ir kiek kartų jis yra išjungiamas bei kai jis veikia be apkrovų).

Atitikties deklaracijos

Tik Europos šalims

Atitikties deklaracijos ištrauktos į šios naudojimo instrukcijos A priedą.

SAUGOS ĮSPĖJIMAI

Bendrieji įspėjimai dirbant elektriniais įrankiais

⚠️ ĮSPĖJIMAS Perskaitykite visus saugos įspėjimus, nurodymus, peržiūrėkite paveikslėlius ir technines sąlygas, pateiktas su šiuo elektriniu įrankiu. Nesilaikant toliau pateiktų nurodymų, galima patirti elektros šoką, sunkų sužalojimą ir (arba) sukelti gaisrą.

Išsaugokite visus įspėjimus ir instrukcijas, kad galėtumėte jas peržiūrėti ateityje.

Terminas „elektrinis įrankis“ pateiktuose įspėjimuose reiškia į maitinimo tinklą jungiamą (laidinį) elektrinį įrankį arba akumuliatoriaus maitinamą (belaidį) elektrinį įrankį.

Belaidžio abrazyvinio diskinio įpaustytuvo saugos įspėjimai

Pjovimo įrenginio saugos įspėjimai

1. Norint užtikrinti maksimalią saugą, pateiktą apsauginį skydą privaloma tvirtai pritvirtinti prie elektrinio įrankio, kad būtų neuždengta minimali disko dalis. Operatorius ir pašaliniai asmenys turi būti atokiai nuo besisukančio disko plokštumos. Apsauga padeda apsaugoti operatorių nuo atskilusių disko dalelių ir netyčinio sąlyčio su disku.
2. Su šiuo elektriniu įrankiu naudokite tik deimantinį nupjovimo diską. Vien tai, kad priedą galima sumontuoti ant elektrinio įrankio, nereiškia, kad jis užtikrina saugų darbą.
3. Nominalusis priedo greitis turi būti bent jau lygus maksimaliam greičiui, nurodytam ant elektrinio įrankio. Priedai, kurie veikia greičiau už vardinį greitį, gali sulūžti ir atsiskirti.
4. Diskai turi būti naudojami tik pagal rekomenduojamą paskirtį. Pavyzdžiui, nešlifukite nupjovimo disko šonu. Nupjovimo diskai yra skirti periferinio šlifavimo operacijoms atlikti, todėl diskus veikiančios šoninės jėgos juos gali suskaldyti.

5. **Visada naudokite tik nesugadintas diskų junges, kurių skersmuo tinkamas pasirinktam diskui.** Tinkamos diskų jungės prilaiko diską, mažindamos disko trūkimo tikimybę.
 6. **Priedo išorinis skersmuo ir storis turi atitikti elektrinio įrankio pajėgumo kategoriją.** Netinkamo dydžio priedų negalima tinkamai apsaugoti skydais ar valdyti.
 7. **Diskų ir jungių įspraudinių angų dydis turi tiktusiai atitikti elektrinio įrankio ašį dydį.** Naudojami diskai ir jungės su įspraudinėmis angomis, kurių dydis neatitinka elektrinio prietaiso dalių, prie kurių jie montuojami, dydžio, išbalansuos įrankį, sukels pernelyg didelę vibraciją, todėl kyla pavojus prarasti įrankio valdymą.
 8. **Nenaudokite pažeistų diskų. Kiekvieną kartą prieš pradėdami naudoti diskus, patikrinkite, ar juose nėra nuolaužų ir įtrūkimų. Jeigu elektrinis įrankis arba diskas buvo nustumas, patikrinkite, ar nėra pažeidimų arba naudokite nepažeistą diską. Patikrinę ir sumontavę diską, patys būkite ir aplinkiniams nurodykite būti toliau nuo besisukančio disko plokštumos ir paleiskite įrankį veikti didžiausiu nulinės apkrovos greičiu 1 minutę.** Paprastai sugadinti diskai tokio patikrinimo metu suskyla.
 9. **Naudokite asmeninės apsaugos priemones. Priklausomai nuo pritaikymo, naudokite apsauginį veido skydelį, tamsius arba apsauginius akinius. Kaip pridera, dėvėkite priešdulkinę puskaukę, klausos apsaugą, pirštines ir dirbtuvės prijuostę, sulaikančią smulkius abrazyvus ar ruošinio skeveldras.** Akių apsauga turi sulaukyti skriejančias nuolaužas, susidariusias įvairių operacijų metu. Apsaugos nuo dulkių kaukė arba respiratorius turi filtruoti darbo metu susidariusias dalelytes. Dėl intensyvaus ilgalaikio triukšmo galima prarasti klausą.
 10. **Laikykite stebinčiuosius toliau nuo darbo vietos. Kiekvienas, užėinantis į darbo vietą, turi dėvėti asmeninę apsaugos aprangą.** Ruošinio ar sulūžusio disko skeveldros gali nuskrieti toliau ir sužeisti asmenis, esančius už darbinės zonos.
 11. **Atlikdami darbus, kurių metu pjovimo priedas galėtų užkliudyti nematomą laidą, laikykite elektrinį įrankį tik už izoliuotų paviršių.** Pjovimo priedui prisilietus prie laido, kuriuo teka elektros srovė, neizoliuotos metalinės elektrinio įrankio dalys gali sukelti elektros smūgį operatoriui.
 12. **Niekada nepadėkite šio elektrinio įrankio, kol jo priedas nėra visiškai sustojęs.** Greitai besisukantis diskas gali užkabinti paviršių ir jūs galite nebesuvaldyti elektrinio įrankio.
 13. **Nešant įrankį prie savo šono, jis turi būti išjungtas.** Greitai besisukantis priedas gali atsitiktinai užkabinti jūsų drabužius ir jus sužaloti.
 14. **Reguliariai išvalykite elektrinio įrankio oro ventiliacijos angas.** Variklio ventilatorius traukia dulkes į korpuso vidų ir dėl per didelių metalo dulkių sankaupų gali kilti su elektros įranga susijęs pavojus.
 15. **Nenaudokite elektrinio įrankio būdami netoliese degių medžiagų.** Nuo kibirkščių degiosios medžiagos gali užsidegti.
 16. **Nenaudokite priedų, kuriems reikalingi aušinimo skysčiai.** Naudojant vandenį ar kitą aušinimo skystį, galima gauti elektros šoką arba netgi gali nutrenkti elektra.
- Atatranka ir su ja susiję įspėjimai**
Atatranka yra staigi reakcija į besisukančio disko sugnybimą arba užstrigimą. Suspaudimas arba sugriebimas sukelia staigų besisukančio disko sulaikymą, dėl kurio nevaldomas elektrinis įrankis sulaukymo taške verčiamas judėti priešinga disko sukimosi kryptimi. Pavyzdžiui, jei diską suspaudžia ruošinys, disko kraštas, kuris patenka į suspaudimo tašką, gali užkabinti medžiagos paviršių ir dėl to diskas gali atšokti. Diskas gali atšokti į operatorių arba nuo jo; tai priklauso nuo disko judesio suspaudimo vietoje. Diskai tokiomis sąlygomis gali ir sulūžti. Atatranka yra piktnaudžiavimo elektriniu įrankiu ir (arba) netinkamų darbo procedūrų ar sąlygų rezultatas, jos galima išvengti vadovaujantis toliau nurodytomis atsargumo priemonėmis.
1. **Tvirtai laikykite elektrinį įrankį ir stovėkite taip, kad jūsų kūnas bei ranka netrukdytų priešintis atatrankos jėgoms. Visada naudokite papildomą rankeną, jei tokia yra, kad įjungimo metu galėtumėte maksimaliai valdyti atatranką ar sukamojo momento reakcijas.** Operatorius gali valdyti sukamojo momento reakciją bei atatrankos jėgą, jei imasi atitinkamų atsargumo priemonių.
 2. **Niekada nelaikykite rankos šalia besisukančio priedo.** Priedas gali atsitrenkti į jūsų ranką.
 3. **Nestovėkite vienoje eilėje su besisukančiu disku.** Atatranka pastums įrankį priešinga disko sukimosi kryptimi suspaudimo taške.
 4. **Ypač saugokitės apdirbdami kampus, aštirus kraštus ir pan. Stenkitės priedo nesutrenkti ir neužkliudyti.** Besisukantis priedas gali užsikabinti ar atsitrenkti į kampus, aštirus kraštus ir sukelti atatranką, o dėl to galima nebesuvaldyti įrankio.
 5. **Nenaudokite pjūklo grandinės, medžio raizymo disko, segmentuoto deimantinio disko, jeigu periferinis tarpelis yra didesnis nei 10 mm (3/8”), arba dantyto pjūklo disko.** Tokie diskai dažnai sukelia atatranką ir įrankio kontrolės problemų.
 6. **Nespauskite disko ir nenaudokite pernelyg didelio slėgio. Nemėginkite atlikti pernelyg gilių pjūvių.** Per stipriai spaudžiant, padidėja apkrova ir disko persikreipimo ar užstrigimo pjūvyje tikimybė bei atatrankos ar disko lūžimo galimybė.
 7. **Kai diskas užstrigo arba kai pjovimas dėl kitų priežasčių nutraukiamas, išjunkite elektrinį įrankį ir nejudinkite jo, kol diskas visiškai nenustos suktis. Niekada nebandykite besisukančio disko traukti iš pjūvio, nes gali susidaryti atatranka.** Ištrikite ir imkitės tinkamų veiksmų, kad pašalintumėte disko užstrigimo priežastį.
 8. **Nepradėkite iš naujo pjauti, kai diskas ruošinyje. Leiskite, kad diskas pasiektų visą greitį ir tik tada atsargiai įleiskite jį į pjūvį.** Diskas gali įstrigti, iššokti arba atšokti, jeigu elektrinis įrankis bus iš naujo paleistas diskui esant ruošinyje.
 9. **Plokštes ar kitus per didelio dydžio ruošinius paremkite ir taip sumažinkite pavojų, kad diskas bus suspaustas ir atšoks.** Dideli ruošiniai linksta dėl savo pačių svorio. Ruošinį reikia paremti iš abiejų disko pusių, šalia pjovimo linijos ir prie ruošinio krašto.
 10. **Ypač būkite atsargūs įpjaudami sienas arba kitas aklines vietas. Atsikisę diskas gali prapjauti dujų ar vandens vamzdžius, elektros laidus arba objektus, kurie gali sukelti atatranką.**

Papildomi saugos įspėjimai:

1. Nenaudokite šlifavimo-nupjovimo diskų. Priešingu atveju galima nusideginėti kilus gaisrui arba pernelyg įkaitus įrangai.
2. Nepjaukite metalinių objektų. Priešingu atveju galima nusideginėti kilus gaisrui arba pernelyg įkaitus įrangai.
3. Prieš naudodami segmentuotą deimantinį diską, įsitikinkite, kad periferiniai tarpeliai tarp deimantinio disko segmentų yra 10 mm (3/8") arba mažesni (tik neigiamo nuolydžio kampo).
4. Nemėginkite pjauti įrankiu, apvertę jį spaustuvoje. Tai ypač pavojinga, todėl galima sunkiai susižeisti.
5. Kai kuriose medžiagose esama cheminių medžiagų, kurios gali būti nuodingos. Saugokitės, kad neįkvėptumėte dulkių ir nesiiliumėte oda. Laikykitės medžiagų tiekėjo saugos duomenų.
6. Saugokite diskus, atsižvelgdami į gamintojo rekomendacijas. Netinkamai saugojant diskus, jie gali būti sugadinti.
7. Visada naudokite darbui ir pjautinai medžiagai tinkamą diską.
8. Prieš pjaudami patikrinkite pjautiną medžiagą. Jei medžiagos sudėtyje yra sprogių ar degių medžiagų, ji gali sukelti sproginimą ar gaisrą.
9. Neįjunkite įrankio, jei tarp disko dangčio ir disko įstrigęs pašalinis objektas. Tokiu atveju išimkite akumuliatoriaus kasetę ir pašalinkite pašalinį objektą.
10. Kai įmanoma, ruošinį įtvirtinkite spaustuvais ar pan. įrankiu.
11. Dirbdami visada dėvėkite klausos apsaugos priemones.
12. Šiuo įrankiu nepjaukite medienos.
13. Disko išorinis skersmuo bei storis neturi viršyti elektrinio įrankio pajėgumo duomenų. Netinkamo dydžio diskai nebus pakankamai apsaugomi arba tinkamai valdomi.
14. Dirbdami elektriniu įrankiu, tvirtai laikykite jį ir stovėkite taip, kad jūsų kūnas bei ranka leistų priešintis atatranks jėgoms.
15. Saugokite rankas ir veidą nuo besisukančio disko.
16. Nustatykite disko dangtį į darbui tinkamą padėtį.
17. Saugokite įrankį nuo vandens, lietaus, purvo ir balų.
18. Nepalikite įrankio be priežiūros lauke.
19. Įrankio laikymo vietos neturėtų pasiekti tiesioginiai saulės spinduliai ir lietus; laikykite ten, kur jis nesuslaps ir neįkais.
20. Reguliariai valykite vakuuminio valymo įrenginio filtrą.

SAUGOKITE ŠIAS INSTRUKCIJAS.

▲ ĮSPĖJIMAS: NELEISKITE, kad patogumas ir gaminio pažinimas (įgyjamas pakartotiniai naudojant) susilpnintų griežtą saugos taisyklių, taikytinų šiam gaminiui, laikymąsi. Dėl NETINKAMO NAUDOJIMO arba saugos taisyklių, kurios pateiktos šioje instrukcijoje, nesilaikymo galima rimtai susižeisti.

Svarbios saugos instrukcijos, taikomos akumuliatoriaus kasetei

1. Prieš naudodami akumuliatoriaus kasetę, perskaitykite visas instrukcijas ir perspėjimus ant (1) akumuliatorių įkroviklio, (2) akumuliatorių ir (3) akumuliatorių naudojančio gaminio.
2. Neardykite ir negadinkite akumuliatoriaus kasetės. Dėl to ji gali užsidegti, per daug įkaisti arba sprogti.
3. Jei įrankio darbo laikas žymiai sutrumpėjo, nedelsdami nutraukite darbą su įrankiu. Tai gali kelti perkaitimo, nudegimų ar net sproginimo pavojų.
4. Jei elektrolitas pateko į akis, plaukite jas tyru vandeniu ir nedelsdami kreipkitės į gydytoją. Gali kilti regėjimo praradimo pavojus.
5. Neužtrumpinkite akumuliatoriaus kasetės:
 - (1) Nelleskite kontaktų degiomis medžiagomis.
 - (2) Venkite laikyti akumuliatoriaus kasetę kartu su kitais metaliniais daiktais, pavyzdžiui, vinimis, monetomis ir pan.
 - (3) Saugokite akumuliatoriaus kasetę nuo vandens ir lietaus.Trumpasis jungimas akumuliatoriuje gali sukelti stiprią srovę, perkaitimą, galimus nudegimus ar net akumuliatoriaus gedimą.
6. Nelaikykite ir nenaudokite įrankio ir akumuliatoriaus kasetės vietose, kur temperatūra gali pasiekti ar viršyti 50 °C (122 °F).
7. Nedeginkite akumuliatoriaus kasetės, net jei yra stipriai pažeista ar visiškai susidėvėjusi. Ugnyje akumuliatoriaus kasetė gali sprogti.
8. Akumuliatoriaus kasetės nekalkite, nepjaustykite ir nemėtykite ir taip pat į ją netranskykite kietu daiktu. Taip elgiantis, ji gali užsidegti, per daug įkaisti arba sprogti.
9. Nenaudokite pažeisto akumuliatoriaus.
10. Įdėtoms ličio jonų akumuliatoriams taikomi Pavojingų prekių teisės akto reikalavimai. Komercinis transportas, pvz., trečiųjų šalių, prekių vežimo atstovų, turi laikytis specialaus reikalavimo ant pakuotės ir ženklavimo. Norėdami paruošti siųstiną prekę, pasitarkite su pavojingų medžiagų specialistu. Be to, laikykitės galimai išsamesnių nacionalinių reglamentų. Užklijuokite juosta arba padenkite atvirus kontaktus ir supakuokite akumuliatorių taip, kad ji pakuotėje nejudėtų.
11. Kai išmetate akumuliatoriaus kasetę, išimkite ją iš įrankio ir išmeskite saugioje vietoje. Vadovaukitės vietos reglamentais dėl akumuliatorių išmetimo.
12. Baterijas naudokite tik su „Makita“ nurodytais gaminiais. Baterijas įdėjus į netinkamus gaminius gali kilti gaisras, gaminys pernelyg kaisti, kilti sproginimas arba pratekėti elektrolitas.
13. Jei įrankis bus ilgą laiką nenaudojamas, akumuliatorių būtina išimti iš įrankio.
14. Darbo metu ir po akumuliatoriaus kasetės gali būti įkaitusi ir dėl to nudeginti. Įmdami akumuliatoriaus kasetes, būkite atsargūs.

15. Tuojau pat po naudojimo nelieskite įrankio gnybtų, nes jie gali būti įkaitę tiek, kad nudegins.
16. Neleiskite, kad į akumulatoriaus kasėtės gnybtus, angas ir griovelius patektų drožlių, dulkių ar žemių. Jos gali sukelti kaitimą, užsidegti, sprogti ir sukelti įrankio ar akumulatoriaus kasėtės gedimą, dėl ko galima nusideginti ar susižaloti.
17. Jeigu įrankis nėra pritaikytas naudoti šalia aukštos įtampos elektros linijų, akumulatoriaus kasėtės nenaudokite šalia aukštos įtampos elektros linijų. Dėl to gali sutrikti įrankio ar akumulatoriaus kasėtės veikimas arba jie gali sugesti.
18. Laikykite akumuliatorių vaikams nepasiekiamoje vietoje.

SAUGOKITE ŠIAS INSTRUKCIJAS.

⚠️PERSPĖJIMAS: Naudokite tik originalų „Makita“ akumuliatorių. Neoriginalaus „Makita“ arba pakeisto akumulatoriaus naudojimas gali nulemti gaisrą, asmens sužalojimą ir pažeidimą. Tai taip pat panaikina „Makita“ suteikiamą „Makita“ įrankio ir įkroviklio garantiją.

Patarimai, ką daryti, kad akumulatorius veiktų kuo ilgiau

1. Pakraukite akumulatoriaus kasėtę prieš ją visiškai išsikraunant. Visuomet nustokite naudoti įrankį ir pakraukite akumulatoriaus kasėtę, kai pastebite, kad įrankio galia sumažėjo.
2. Niekada nekraukite iki galo įkrautos akumulatoriaus kasėtės. Perkraunant trumpėja akumulatoriaus eksploatacijos laikas.
3. Akumulatoriaus kasėtę kraukite esant kambario temperatūrai 10 - 40 °C. Prieš pradėdami krauti, leiskite įkaitusiai akumulatoriaus kasetei atvėsti.
4. Kai akumulatoriaus kasėtės nenaudojate, ją išimkite iš įrankio ar įkroviklio.
5. Įkraukite akumulatoriaus kasėtę, jei jos nenaudojate ilgą laiką (ilgiau nei šešis mėnesius).

Svarbios saugumo instrukcijos dėl belaidžio bloko

1. Neardykite ir nekeiskite belaidžio bloko.
2. Laikykite belaidį bloką vaikams nepasiekiamoje vietoje. Netyčia prarijus reikia nedelsiant kreiptis į medikus.
3. Naudokite belaidį bloką tik su „Makita“ įrankiais.
4. Saugokite belaidį bloką nuo lietaus ir nenaudokite jo esant drėgnoms oro sąlygoms.
5. Nenaudokite belaidžio bloko vietose, kur temperatūra viršija 50 °C.
6. Nenaudokite belaidžio bloko netoli medicinos instrumentų, pavyzdžiui, širdies stimuliatorių.

7. Nenaudokite belaidžio bloko netoli automatišnių prietaisų. Automatiniai prietaisai gali sugesti arba gali įvykti klaida.
8. Nenaudokite belaidžio bloko ten, kur gali padidėti temperatūra arba atsirasti statinis elektros krūvis arba elektrinis triukšmas.
9. Belaidis blokas gali sukurti elektromagnetinius laukus (EML), bet jie naudotojui nekenksmingi.
10. Belaidis blokas yra tikslusis instrumentas. Saugokite belaidį bloką nuo kritimo ir smūgių.
11. Nelieskite belaidžio bloko kontakto plikomis rankomis arba metaliniais įrankiais.
12. Įdėdami belaidį bloką visada išimkite gaminio akumuliatorių.
13. Atidarydami angos dangtelį venkite vietų, kur į ją gali patekti dulkių ir vandens. Anga visada turi būti švari.
14. Belaidį bloką visada dėkite reikiama kryptimi.
15. Per smarkiai nespauskite belaidžio aktyvinimo mygtuko ant belaidžio bloko, nespauskite jo aštriu daiktu.
16. Dirbdami visada uždarykite angos dangtelį.
17. Kai įrankiui tiekiamas maitinimas, niekada neimkite belaidžio bloko iš angos. Kitaip belaidis blokas gali sugesti.
18. Nenuimkite lipduko nuo belaidžio bloko.
19. Nekljuokite jokio lipduko ant belaidžio bloko.
20. Nepalikite belaidžio bloko ten, kur gali atsirasti statinis elektros krūvis arba elektrinis triukšmas.
21. Nepalikite belaidžio bloko karštoje vietoje, pavyzdžiui, automobilyje prieš saulę.
22. Nepalikite belaidžio bloko dulketoje ar miltuotoje vietoje arba ten, kur gali atsirasti išdinančiųjų dujų.
23. Nuo staigaus temperatūros pokyčio belaidis blokas gali aprasoti. Nenaudokite belaidžio bloko, kol rasa visiškai nenudžiūvo.
24. Norėdami nuvalyti belaidį bloką, švelniai pavalykite sausa minkšta šluoste. Nenaudokite benzino, skiediklio, laidaus tepalo ir panašių medžiagų.
25. Laikykite belaidį bloką pridėtame dėkle arba nuo statinio krūvio apsaugotoje taroje.
26. Nekiškite į įrankio angą jokių kitų prietaisų, išskyrus „Makita“ belaidį bloką.
27. Nenaudokite įrankio, kurio angos dangtelis pažeistas. Į angą patekęs vanduo, dulksės ir purvas gali jį sugadinti.
28. Netraukite ir (arba) nesukite angos dangtelio daugiau, nei reikia. Atstatykite dangtelį į vietą, jei jis nukrinta nuo įrankio.
29. Pakeiskite angos dangtelį, jei jo nėra arba jis pažeistas.

SAUGOKITE ŠIAS INSTRUKCIJAS.

DALIŲ APRAŠYMAS

► Pav.1

1	Deimantinis diskas	2	Disko dangtis	3	Disko dangčio rankena	4	Dulkių ištraukimo antgalis
5	Priekinė rankena	6	Lemputė	7	Akumuliatoriaus kasėtė	8	Atlaisvinimo mygtukas
9	Belaidžio aktyvinimo lemputė	10	Belaidžio aktyvinimo mygtukas	11	Apatinis apsaugas	12	Ratukas
13	Ašies fiksatoriaus mygtukas	14	Dangtis (V formos diržui)	15	Spaustuko laikiklis	16	Rankena
17	Gaidukas	18	Lemputės mygtukas	19	Perkrovos indikatorius	20	Žarnos spaustukas A
21	Žarnos spaustukas B	22	Veržliaraktis	–	–	–	–

VEIKIMO APRAŠYMAS

▲ PERSPĖJIMAS: Prieš pradėdami reguliuoti arba tikrinti įrankio veikimą, visuomet būtinai išjunkite įrankį ir išimkite akumuliatoriaus kasėtę.

Akumuliatoriaus kasėtės uždėjimas ir nuėmimas

▲ PERSPĖJIMAS: Prieš įdėdami arba išimdami akumuliatoriaus kasėtę, visada išjunkite įrankį.

▲ PERSPĖJIMAS: Įdėdami arba išimdami akumuliatoriaus kasėtę, tvirtai laikykite įrankį ir akumuliatoriaus kasėtę. Jeigu įrankį ir akumuliatoriaus kasėtę laikysite netvirtai, jie gali išslysti iš jūsų rankų, todėl įrankis ir akumuliatoriaus kasėtė gali būti sugadinti, o naudotojas sužalotas.

Jei norite įdėti akumuliatoriaus kasėtę, ant akumuliatoriaus kasėtės esantį liežuvėlį sutapdinkite su korpuse esančiu grioveliu ir įstumkite jį į skirtą vietą. Įstatykite iki pat galo, kad spragtelėdama užsifiksuotų. Jeigu matote raudoną sandariklį (indikatorių), kaip parodyta paveikslėlyje, jį nėra visiškai užfiksuota.

Norėdami išimti akumuliatoriaus kasėtę, spausdami akumuliatoriaus kasėtės priekyje esantį mygtuką, ją pakelkite.

► Pav.2: 1. Raudonas sandariklis (indikatorius)
2. Mygtukas 3. Akumuliatoriaus kasėtė

▲ PERSPĖJIMAS: Akumuliatoriaus kasėtę visada įkiškite iki galo, kol nebematysite raudono indikatoriaus. Priešingu atveju ji gali atsitiktinai iškristi iš įrankio, sužeisti jus arba aplinkinius.

▲ PERSPĖJIMAS: Nekiškite akumuliatoriaus kasėtės jėga. Jeigu kasėtė sunkiai lenda, ją kišate netinkamai.

PASTABA: Įrankis neveikia tik su viena akumuliatoriaus kasėte.

Likusios akumuliatoriaus galios rodymas

Paspauskite akumuliatoriaus kasėtės tikrinimo mygtuką, kad būtų rodoma likusi akumuliatoriaus energija. Maždaug trims sekundėms užsidegs indikatorių lemputės.

► Pav.3: 1. Indikatorių lemputės 2. Tikrinimo mygtukas

Indikatorių lemputės			Likusi galia
Šviečia	Nešviečia	Blyksi	
			75 - 100 %
			50 - 75 %
			25 - 50 %
			0 - 25 %
			Įkraukite akumuliatorių.
			Galimai įvyko akumuliatoriaus veikimo triktis.

PASTABA: Rodmuo gali šiek tiek skirtis nuo faktinės energijos lygio – tai priklauso nuo naudojimo sąlygų ir aplinkos temperatūros.

PASTABA: Veikiant akumuliatoriaus apsaugos sistemai ims mirksėti pirmoji (toliausiai kairėje) indikatoriaus lemputė.

Įrankio / akumuliatoriaus apsaugos sistema

Įrankyje įrengta įrankio / akumuliatoriaus apsaugos sistema. Ši sistema automatiškai atjungia variklio maitinimą, kad įrankis ir akumuliatorius ilgiau veiktų. Įrankis automatiškai išsijungs darbo metu esant vienai iš toliau nurodytų įrankio arba akumuliatoriaus darbo sąlygų. Esant tam tikroms sąlygoms užsidega indikatoriai.

Apsauga nuo perkrovos

Kai įrankis / akumuliatorius naudojamas taip, kad neįprastai padidėja elektros srovė, įrankis automatiškai išsijungia. Tokiu atveju išjunkite įrankį ir nutraukite darbą, dėl kurio kilo įrankio perkrova. Tada vėl įjunkite įrankį.

Apsauga nuo perkaitimo

Įrankiui ar akumuliatoriui perkaitus, įrankis automatiškai išsijungia ir mirksi lemputė. Tokiu atveju palaukite, kol įrankis atvės, paskui vėl jį įjunkite.

Apsauga nuo visiško išsikrovimo

Išsekus akumuliatoriui, įrankis automatiškai sustabdomas ir ima mirksėti akumuliatoriaus kasetės lemputė. Jei įrankis neveikia net ir spaudžiant jungiklius, išimkite akumuliatorių iš įrankio ir įkraukite jį.

Apsaugos nuo kitų priežasčių

Apsaugos sistema taip pat apsaugo nuo kitų priežasčių, galinčių pažeisti įrankį, todėl automatiškai jį išjungia. Įrankiui laikinai sustojus arba veikimo metu išsijungus, imkitės visų toliau nurodytų veiksmų ir pašalinkite to priežastis.

1. Išjunkite įrankį, tada vėl įjunkite, kad paleistumėte iš naujo.
2. Įkraukite akumuliatorių (-ius) arba jį (juos) pakeiskite įkrautu (-ais) akumuliatoriumi (-iais).
3. Palaukite, kol įrenginys ir akumuliatorius (-iai) atvės.

Jei, atkūrus apsaugos sistemą, veikimas nepagerėja, kreipkitės į vietos „Makita“ priežiūros centrą.

PASTABA: Jei įrankis sustoja dėl pirmiau neapibūdintos priežasties, žr. trikčių šalinimo skyrių.

Įspėjimas apie perkrovą

Jeigu įrankis naudojamas esant pernelyg didelei apkrovai, perkrovos indikatorius mirksės raudonai. Tokiu atveju sumažinkite įrankiui tenkančią apkrovą. Indikatorius nustoja mirksėti.

► **Pav.4:** 1. Perkrovos indikatorius

Jungiklio veikimas

▲ ĮSPĖJIMAS: Prieš montuodami akumuliatoriaus kasetę įrankyje, visuomet patikrinkite, ar gaidukas tinkamai veikia ir atleistas grįžta į išjungimo padėtį „OFF“.

▲ ĮSPĖJIMAS: NIEKADA neužklijuokite atlaisvinimo mygtuko lipnia juostele ir nepanaikinkite jo funkcijos kitomis priemonėmis. Jungiklis su užblokuotu atlaisvinimo mygtuku gali netyčia įjungti įrankį ir operatorius gali būti sunkiai sužeistas.

▲ ĮSPĖJIMAS: NIEKADA nenaudokite įrankio, jei jis veikia nuspaudus tik gaiduką, tačiau nuspaudus atlaisvinimo mygtuko. Jungiklis, kurį reikia taisyti, gali netyčia įjungti įrankį ir operatorius gali būti sunkiai sužeistas. PRIEŠ pradėdami vėl naudoti įrankį, atiduokite jį suremontuoti į „Makita“ techninės priežiūros centrą.

Atlaisvinimo mygtukas neleidžia atsitiktinai paspausti gaiduko. Jei norite įjungti įrankį, paspauskite atlaisvinimo mygtuką ir gaiduką. Norėdami sustabdyti, gaiduką atleiskite.
► **Pav.5:** 1. Gaidukas 2. Atlaisvinimo mygtukas

PASTABA: Negalima stipriai spausti gaiduko, nenuspaudus atlaisvinimo mygtuko. Taip galima sulaužyti jungiklį.

Lemputės įjungimas

▲ PERSPĖJIMAS: Nežiūrėkite tiesiai į šviesą arba šviesos šaltinį.

Norėdami įjungti lemputę, paspauskite lemputės mygtuką. Norėdami ją išjungti, dar kartą paspauskite lemputės mygtuką.

► **Pav.6:** 1. Lemputės mygtukas 2. Lemputė

PASTABA: Jei įrankiu nebus atliekama jokių veiksmų vieną minutę, lemputė bus išjungta automatiškai.

Disko dangčio reguliavimas

Paimkite už disko dangčio rankenos ir nustatykite disko dangčio padėtį taip, kad tiktų darbui.

► **Pav.7:** 1. Disko dangčio rankena

Aktyvaus grįžtamojo ryšio aptikimo technologija

Įrankio elektronika aptinka situacijas, kurioms esant diskas gali įstrigti. Tokiu atveju įrankis automatiškai išjungiamas, kad velenas daugiau nesisuktų (tai nepadedą išvengti atitranskos).

Norėdami iš naujo įrankį, pirmiausia išjunkite jį, pašalinkite staigaus užstrigimo priežastį, tada vėl įjunkite įrankį.

Elektrinis stabdys

Elektrinis stabdys suaktyvinamas išjungus įrankį. Stabdys neveikia atjungus maitinimą, pvz., atsitiktinai ištraukus akumuliatorių, tačiau neišjungus jungiklio.

SURINKIMAS

▲ PERSPĖJIMAS: Prieš darydami ką nors įrankiui visada patikrinkite, ar įrenginys išjungtas, o akumuliatorių kasetė – nuimta.

Deimantinio disko montavimas (nuėmimas)

▲ PERSPĖJIMAS: Montuodami ar nuimdami diską naudokite tik „Makita“ veržliaraktį.

▲ PERSPĖJIMAS: Sumontavę diską, patikrinkite, ar tvirtai užveržėte varžtą.

▲ PERSPĖJIMAS: Kai diskas sukasi, nespauskite ašies fiksatoriaus mygtuko.

Norėdami nuimti diską, paspauskite ašies fiksatoriaus mygtuką ir sukite diską, kol jis nebegalės sukis. Kai ašies fiksatorius bus visiškai užblokuotas, moviniu veržliarakčių sukite šešiakampį varžtą prieš laikrodžio rodyklę. Tada nuimkite šešiakampį varžtą, jungę, diską, žiedą ir kitą jungę.

- **Pav.8:** 1. Ašies fiksatoriaus mygtukas
2. Veržliaraktis 3. Priveržti 4. Atlaisvinti
- **Pav.9:** 1. Varžtas su šešiabriaune lizdine galvute
2. Jungė 3. Žiedas 4. Deimantinis diskas
5. Rodyklė (disko sukimosi kryptis)

Norėdami sumontuoti diską, atlikite nuėmimo veiksmus atvirkščia tvarka.

BŪTINAI PATIKIMAI UŽVERŽKITE ŠEŠIAKAMPĮ VARŽTĄ.

⚠PERSPĖJIMAS: Diską visuomet montuokite taip, kad ant jo esanti rodyklė būtų nukreipta ant disko dangčio esančios rodyklės kryptimi. Antraip diskas suksis priešinga kryptimi ir kils pavojus susižaloti.

⚠PERSPĖJIMAS: Naudokite tik diską, ant kurio nurodytas sukimosi greitis prilygsta arba viršija ant įrankio nurodytą sukimosi greitį.

PASTABA: Montuodami diską, būtinai prijunkite junges taip, kad plokščioji jungės pusė būtų nukreipta į diską. Tada prijunkite žiedą, kuris atitinka vidinį disko skersmenį.

- **Pav.10:** 1. Šešiakampis varžtas 2. Jungė 3. Žiedas
4. Deimantinis diskas

Vakuuminio valymo įrenginio prijungimas

PASTABA: Kai nejungiate prie vakuuminio valymo įrenginio, dangtelis turi būti uždarytas.

Kai norite švariai nupjauti, prie savo įrankio prijunkite „Makita“ vakuuminį valymo įrenginį.

Atidarykite dangtelį ir prijunkite vakuuminio valymo įrenginio žarną.

- **Pav.11:** 1. Dangtelis 2. Dulkių ištraukimo antgalis
3. Žarna 4. Vakuuminis valymo įrenginys

Galite pakeisti dulkių ištraukimo antgalio kampa, kaip parodyta paveikslėlyje.

- **Pav.12**

Žarnos spaustukas

PASTABA: Visada nuimkite žarnos spaustuką nuo įrankio, jei jo nenaudojate.

PASTABA: Per dažnai neatidarinėkite ir neuždarinėkite žarnos spaustuko. Priešingu atveju žarnos spaustukas gali lūžti.

Kad būtų lengviau tvarkyti vakuuminio valymo įrenginio žarną, galima prijungti žarnos spaustuką.

1. Prijunkite žarnos spaustuką A arba B prie žarnos.

Tipas	Tinkamas išorinis žarnos skersmuo
Žarnos spaustukas A	ø 40–46 mm (ø 1-9/16–1-13/16")
Žarnos spaustukas B	ø 35–40 mm (ø 1-3/8–1-9/16")

- **Pav.13:** 1. Žarnos spaustukas A / B 2. Žarna

2. Įkiškite žarnos spaustuką į spaustuko laikiklio kiurymes.

Užtikrinkite, kad du kaišteliai būtų įkišti į kiurymes.

- **Pav.14:** 1. Kaištelis 2. Kiurymė 3. Spaustuko laikiklis

3. Norėdami nuimti žarnos spaustuką, atlikite montavimo veiksmus atvirkštine tvarka.

Vieta moviniam veržliarakčiui laikyti

Nenaudojamą movinį veržliarakčių laikykite taip, kaip parodyta paveikslėlyje (kad nepamestumėte).

- **Pav.15:** 1. Movinis veržliaraktis

NAUDOJIMAS

Apatinio apsaugo veikimo patikra

Išimkite akumuliatorių.

Ranka iki galo įtraukite apatinį apsaugą ir atleiskite jį.

Apatinis apsaugas veikia tinkamai, jei:

- įsitraukia be jokių kliūčių;
- automatiškai grįžta į pradinę padėtį.

- **Pav.16:** 1. Apatinis apsaugas

Jei apatinis apsaugas neveikia tinkamai, patikrinkite,

galbūt disko dangtyje susikaupę dulkių.

Kai kurias dulkes galima pašalinti kelis kartus įtraukiant ir gražinant apatinį apsaugą.

Jei apatinis apsaugas neveikia tinkamai net ir pašalinus dulkes, nugabenkite įrenginį į „Makita“ priežiūros centrą.

Pranešimas dėl nenormalaus triukšmo

PASTABA: Nenaudokite deformuoto arba seno deimantinio disko. Priešingu atveju gali sutrikti veikimas arba atsirasti gedimas.

Net jei deimantinis diskas naujas ir be deformacijų, jis gali skleisti nenormalų triukšmą, pvz., metalo trinties, kai įrankis veikia nedideliu greičiu. Tai nėra įrankio veikimo sutrikimo požymis.

Kai kurių rūšių deimantiniai diskai gali skleisti nenormalų triukšmą, kai įrankis veikia nedideliu greičiu. Taip yra dėl to, kad deimantinis diskas ir disko dangtis yra nustatyti labai arti vienas kito, kad būtų efektyviai renkamos dulės.

Paleiskite įrankį didžiausiu greičiu ir pradėkite tinkamai pjauti. Nenormalus triukšmas sumažės.

▲PERSPĖJIMAS: Darbo metu tvirtai laikykite įrankį ant stabilaus darbostalo arba stalo.

▲PERSPĖJIMAS: Nesukite ir nestumkite įrankio į pjūvį jėga, nes variklis gali būti perkrautas arba gali sudužti ruošinys.

▲PERSPĖJIMAS: Darbo metu nekelkite įrankio į didesnį nei jūsų pečių aukštį.

► Pav.17

1. Tvirtai laikykite įrankį. Rankeną laikykite dešiniąja ranka, o priekinę rankeną – kairiąja ranka. Kad išvengtumėte elektros šoko netyčia įpjovę elektros kabelį, visada laikykite priekinę rankeną už tam skirtos dalies, kaip parodyta paveikslėlyje.

► Pav.18: 1. Laikytina dalis

2. Įjunkite įrankį (deimantinis diskas neturi nieko liesti) ir palaukite, kol deimantinis diskas pradės sukstis visu greičiu.

3. Švelniai nuleiskite deimantinį diską tiesiai ant ruošinio ir sklandžiai slinkite įrankį atgal, kol galiausiai baigsite pjovimą.

- Užtikrinkite, kad pjovimo linija būtų švari, o slinkimo greitis – vienodas.
- Slinkite įrankį ant apatinio apsaugo pateiktos rodyklės kryptimi.

Jei įrankį stumsite pirmyn (priešinga kryptimi, nei rodo rodyklė), gerokai sumažės dulkių surinkimo efektyvumas.

► Pav.19: 1. Rodyklė

- Toliau spauskite apatinį apsaugą prie ruošinio. Jei tarp apatinio apsaugo ir ruošinio bus tarpelis, pro jį prasisks dulkių ir sumažės jų surinkimo efektyvumas.

► Pav.20: 1. Apatinis apsaugas

PASTABA: Kai akumuliatoriaus kasetė yra šalta, įrankis gali veikti ne visu pajėgumu. Tokiu atveju kurį laiką naudokite įrankį, pavyzdžiui, nedideliems pjovimo darbams, kol akumuliatoriaus kasetė sušils iki kambario temperatūros. Tuomet įrankis galės veikti visu pajėgumu.

PASTABA: Jeigu deimantinio disko pjovimo galia sumažėtų, nušlifukite disko pjovimo kraštą senu šlifavimo staklių disku arba į betono bloką. Šlifukite lengvai paspausdami išorinį deimantinio disko kraštą.

BELaidžio AKTYVINIMO FUNKCIJA

Pasirenkamas priedas

PASTABA: Uždėkite pasirenkamą dangtelį nuo dulkių ir priedus, prieš naudodami šią funkciją.

Ką galima padaryti su belaidžio aktyvinimo funkcija?

Belaidžio aktyvinimo funkcija leidžia dirbti švariai ir patogiai. Pridėta vakuuminį valymo įrenginį prijungę prie įrankio, galite automatiškai jį paleisti įjungdami įrankį.

► Pav.21

Norėdami naudoti belaidžio aktyvinimo funkciją, pasiruškite šiuos daiktus:

- belaidį bloką (papildomas priedas);
- vakuuminį valymo įrenginį, kuris palaiko belaidžio aktyvinimo funkciją.

Toliau pateikiama belaidžio aktyvinimo funkcijos nustatymo apžvalga. Kiekvienoje dalyje rasite detalias procedūras.

1. Belaidžio bloko įdėjimas
2. Įrankio nustatymas vakuuminiame valymo įrenginyje
3. Belaidžio aktyvinimo funkcijos paleidimas

Belaidžio bloko įdėjimas

Pasirenkamas priedas

▲PERSPĖJIMAS: Įdėdami belaidį bloką, padėkite įrankį ant stabilaus plokščio paviršiaus.

PASTABA: Prieš įdėdami belaidį bloką, nuo įrankio nuvalykite dulkes ir purvą. Patekusios į belaidžio bloko angą, dulкės arba purvas gali sukelti gedimą.

PASTABA: Norėdami išvengti gedimo, kurį gali sukelti statinis elektros krūvis, prieš paimdami belaidį bloką palieskite medžiagą, per kurią išeina statinis elektros krūvis, pavyzdžiui, metalinę įrankio dalį.

PASTABA: Įdėdami belaidį bloką, visada įsitinkite, kad dedate reikiama kryptimi ir kad dangtelis iki galo uždarytas.

1. Atidarykite įrankio dangtelį, kaip parodyta paveikslėlyje.

► Pav.22: 1. Dangtelis

2. Įdėkite belaidį bloką į angą ir uždarykite dangtelį. Įdėdami belaidį bloką, iškyšas sulygiuokite su angos išėmomis.

► Pav.23: 1. Belaidis blokas 2. Iškyša 3. Dangtelis 4. Išėma

Norėdami išimti belaidį bloką, lėtai atidarykite dangtelį. Traukiant dangtelį, jo galinėje pusėje esantys kabliukai iškels belaidį bloką.

► **Pav.24:** 1. Belaidis blokas 2. Kabliukas 3. Dangtelis

Išėmę belaidį bloką laikykite pridėtame dėkle arba nuo statinio krūvio apsaugotoje taroje.

PASTABA: Išimdami belaidį bloką visada naudokites galinėje dangtelio pusėje esančiais kabliukais. Jei kabliukai nepagauna belaidžio bloko, iki galo uždarykite dangtelį ir vėl lėtai jį atidarykite.

Įrankio nustatymas vakuuiniame valymo įrenginyje

PASTABA: Įrankiui nustatyti reikalingas „Makita“ vakuuminis valymo įrenginys, palaikantis belaidžio aktyvinimo funkciją.

PASTABA: Prieš pradėdami nustatyti įrankį, įdėkite jį į belaidį bloką.

PASTABA: Nustatydami įrankį, netraukite gaiduko ir neįjunkite vakuuminio valymo įrenginio maitinimo.

PASTABA: Taip pat žr. vakuuminio valymo įrenginio naudojimo instrukciją.

Jei norite aktyvinti vakuuminį valymo įrenginį įrankio jungikliu, prieš tai nustatykite įrankį.

1. Įdėkite akumuliatorių į vakuuminį valymo įrenginį ir įrankį.

2. Vakuuminio valymo įrenginio parengties jungiklį nustatykite ties „AUTO“.

► **Pav.25:** 1. Parengties jungiklis

3. 3 sekundes spauskite belaidžio aktyvinimo mygtuką ant vakuuminio valymo įrenginio, kol belaidžio aktyvinimo lemputė ims mirksėti žaliai. Tada tokiu pat būdu paspauskite belaidžio aktyvinimo mygtuką ant įrankio.

► **Pav.26:** 1. Belaidžio aktyvinimo mygtukas
2. Belaidžio aktyvinimo lemputė

Jei vakuuminis valymo įrenginys ir įrankis sėkmingai susieti, belaidžio aktyvinimo lemputės 2 sekundes švies žaliai ir ims mirksėti mėlynai.

PASTABA: Belaidžio aktyvinimo lemputės nustoja mirksėti žaliai po 20 sekundžių. Kai mirksi valymo įrenginio belaidžio aktyvinimo lemputė, paspauskite belaidžio aktyvinimo mygtuką ant įrankio. Jei belaidžio aktyvinimo lemputė nemirksi žaliai, trumpai paspauskite belaidžio aktyvinimo mygtuką ir vėl palaikykite jį nuspaudę.

PASTABA: Jei norite nustatyti du ar daugiau įrankių viename vakuuiniame valymo įrenginyje, nustatykite juos po vieną.

Belaidžio aktyvinimo funkcijos paleidimas

PASTABA: Prieš belaidį aktyvinimą nustatykite įrankį vakuuiniame valymo įrenginyje.

PASTABA: Taip pat žr. vakuuminio valymo įrenginio naudojimo instrukciją.

Nustačius įrankį vakuuiniame valymo įrenginyje, jis automatiškai įsijungs įjungus įrankį.

1. Įdėkite belaidį bloką į įrankį.

2. Sujunkite vakuuminio valymo įrenginio žarną su įrankiu.

► **Pav.27**

3. Vakuuminio valymo įrenginio parengties jungiklį nustatykite ties „AUTO“.

► **Pav.28:** 1. Parengties jungiklis

4. Trumpai paspauskite belaidžio aktyvinimo mygtuką ant įrankio. Belaidžio aktyvinimo lemputė mirksės mėlynai.

► **Pav.29:** 1. Belaidžio aktyvinimo mygtukas
2. Belaidžio aktyvinimo lemputė

5. Įjunkite įrankį. Patikrinkite, ar su įrankiu kartu veikia ir vakuuminis valymo įrenginys.

Norėdami sustabdyti belaidį vakuuminio valymo įrenginio aktyvinimą, paspauskite belaidžio aktyvinimo mygtuką ant įrankio.

PASTABA: Nenaudojant 2 valandas, belaidžio aktyvinimo lemputė ant įrankio nustos mirksėti mėlynai. Šiuo atveju parengties jungiklį ant vakuuminio valymo įrenginio nustatykite ties „AUTO“ ir vėl paspauskite belaidžio aktyvinimo mygtuką ant įrankio.

PASTABA: Vakuuminis valymo įrenginys ima veikti ir sustoja šiek tiek uždelęs. Praeina šiek tiek laiko, kol vakuuminis valymo įrenginys nustato, kad buvo panaudotas įrankio jungiklis.

PASTABA: Belaidžio bloko perdavimo atstumas gali skirtis priklausomai nuo vietos ir aplinkybių.

PASTABA: Kai viename vakuuiniame valymo įrenginyje užregistruoti du ar daugiau įrankių, vakuuminis valymo įrenginys gali imti veikti net ir neįjungus įrankio, nes kitas naudotojas naudoja belaidžio aktyvinimo funkciją.

Belaidžio aktyvinimo lemputės būsenos aprašymas

► Pav.30: 1. Belaidžio aktyvinimo lemputė

Belaidžio aktyvinimo lemputė rodo belaidžio aktyvinimo funkcijos būseną. Lemputės būsenos reikšmės pateiktos tolesnėje lentelėje.

Būsena	Belaidžio aktyvinimo lemputė				Aprašymas
	Spalva	<input type="checkbox"/> Šviečia	<input type="checkbox"/> Mirksi	Trukmė	
Parengtis	Mėlyna	<input checked="" type="checkbox"/>		2 valandos	Galimas belaidis vakuuminio valymo įrenginio aktyvinimas. Nenaudojant 2 valandas lemputė automatiškai užges.
		<input type="checkbox"/>		Kai įrankis yra naudojamas.	Galimas belaidis vakuuminio valymo įrenginio aktyvinimas ir įrankis yra naudojamas.
Įrankio nustatymas	Žalia	<input checked="" type="checkbox"/>		20 sekundžių	Pasirengęs nustatyti įrankį. Laukiama, kol įrankis bus nustatytas vakuuiniame valymo įrenginyje.
		<input type="checkbox"/>		2 sekundės	Įrankis nustatytas. Belaidžio aktyvinimo lemputė ims mirksėti mėlynai.
Įrankio nustatymo atšaukimas	Raudona	<input checked="" type="checkbox"/>		20 sekundžių	Pasiruošęs atšaukti įrankio nustatymą. Laukiama, kol įrankio nustatymas bus atšauktas vakuuiniame valymo įrenginyje.
		<input type="checkbox"/>		2 sekundės	Įrankio nustatymas atšauktas. Belaidžio aktyvinimo lemputė ims mirksėti mėlynai.
Kita	Raudona	<input type="checkbox"/>		3 sekundės	Belaidis blokas yra maitinamas ir ima veikti belaidžio aktyvinimo funkcija.
	Nešviečia	-		-	Belaidis vakuuminio valymo įrenginio aktyvinimas sustabdytas.

Įrankio nustatymo vakuuiniame valymo įrenginyje atšaukimas

Norėdami atšaukti įrankio nustatymą vakuuiniame valymo įrenginyje, atlikite šią procedūrą.

- Įdėkite akumuliatorius į vakuuminį valymo įrenginį ir įrankį.
 - Vakuuminio valymo įrenginio parengties jungiklį nustatykite ties „AUTO“.
- Pav.31: 1. Parengties jungiklis
- 6 sekundes spauskite belaidžio aktyvinimo mygtuką ant vakuuminio valymo įrenginio. Belaidžio aktyvinimo lemputė mirksi žaliai ir tampa raudona. Paskui tokiu pat būdu paspauskite belaidžio aktyvinimo mygtuką ant įrankio.
- Pav.32: 1. Belaidžio aktyvinimo mygtukas
2. Belaidžio aktyvinimo lemputė

Jei atšaukti pavyko, belaidžio aktyvinimo lemputės 2 sekundes švies raudonai ir ims mirksėti mėlynai.

PASTABA: Belaidžio aktyvinimo lemputės nustoja mirksėti raudonai po 20 sekundžių. Kai mirksi valymo įrenginio belaidžio aktyvinimo lemputė, paspauskite belaidžio aktyvinimo mygtuką ant įrankio. Jei belaidžio aktyvinimo lemputė nemirksi raudonai, trumpai paspauskite belaidžio aktyvinimo mygtuką ir vėl palaikykite jį nuspaudę.

Belaidžio aktyvinimo funkcijos trikčių šalinimas

Prieš kreipiamiesi dėl remonto darbų, pirmiausia patikrinkite gedimus patys. Kilus problemų, apie kurias nepaaiškinta vartotojo vadove, nemėginkite ardyti įrankio. Kreipkitės į įgaliotuosius „Makita“ techninės priežiūros centrus, kuriuose remontui visuomet naudojami originalios „Makita“ keičiamosios dalys.

Neįprasta būklė	Tikėtina priežastis (triktis)	Ištaisomoji priemonė
Belaidžio aktyvinimo lemputė nešviečia arba nemirksi.	Belaidis blokas neįdėtas į įrankį. Belaidis blokas netinkamai įdėtas į įrankį.	Taisyklingai įdėkite belaidį bloką.
	Belaidžio bloko kontaktas ir (arba) anga yra purvini.	Švelniai nuvalykite dulkes ir purvą nuo belaidžio bloko kontakto ir išvalykite angą.
	Belaidžio aktyvinimo mygtukas ant įrankio nebuvo paspaustas.	Trumpai paspauskite belaidžio aktyvinimo mygtuką ant įrankio.
	Vakuuminio valymo įrenginio parengties jungiklis nenustatytas ties „AUTO“.	Vakuuminio valymo įrenginio parengties jungiklį nustatykite ties „AUTO“.
	Nėra maitinimo	Prijunkite įrankio ir vakuuminio valymo įrenginio maitinimą.
Nepavyksta nustatyti įrankio / atšaukti jo nustatymo.	Belaidis blokas neįdėtas į įrankį. Belaidis blokas netinkamai įdėtas į įrankį.	Taisyklingai įdėkite belaidį bloką.
	Belaidžio bloko kontaktas ir (arba) anga yra purvini.	Švelniai nuvalykite dulkes ir purvą nuo belaidžio bloko kontakto ir išvalykite angą.
	Vakuuminio valymo įrenginio parengties jungiklis nenustatytas ties „AUTO“.	Vakuuminio valymo įrenginio parengties jungiklį nustatykite ties „AUTO“.
	Nėra maitinimo	Prijunkite įrankio ir vakuuminio valymo įrenginio maitinimą.
	Netinkamai atlikta procedūra	Trumpai paspauskite belaidžio aktyvinimo mygtuką ir iš naujo atlikite įrankio nustatymo / atšaukimo procedūras.
	Įrankis ir vakuuminis valymo įrenginys yra toli vienas nuo kito (už perdavimo diapazono ribų).	Padėkite įrankį ir vakuuminį valymo įrenginį arčiau vienas kito. Didžiausias perdavimo atstumas yra maždaug 10 m, bet jis gali skirtis pagal aplinkybes.
	Prieš baigiant įrankio registravimą / atšaukimą: - įjungiamas įrankio jungiklis arba - paspaudžiamas vakuuminio valymo įrenginio maitinimo mygtukas.	Trumpai paspauskite belaidžio aktyvinimo mygtuką ir iš naujo atlikite įrankio nustatymo / atšaukimo procedūras.
	Neatliktos įrankio nustatymo procedūros įrankyje arba vakuuiniame valymo įrenginyje.	Tuo pačiu metu atlikite įrankio nustatymo procedūras įrankyje ir vakuuiniame valymo įrenginyje.
	Kitų prietaisų, generuojančių didelio intensyvumo radijo bangas, keliami radijo bangų trikdžiai.	Patraukite įrankį ir vakuuminį valymo įrenginį toliau nuo tokių prietaisų kaip belaidžio ryšio įrenginiai ir mikrobangų krosnelės.
Vakuuminis valymo įrenginys neveikia įjungus įrankio jungiklį.	Belaidis blokas neįdėtas į įrankį. Belaidis blokas netinkamai įdėtas į įrankį.	Taisyklingai įdėkite belaidį bloką.
	Belaidžio bloko kontaktas ir (arba) anga yra purvini.	Švelniai nuvalykite dulkes ir purvą nuo belaidžio bloko kontakto ir išvalykite angą.
	Belaidžio aktyvinimo mygtukas ant įrankio nebuvo paspaustas.	Trumpai paspauskite belaidžio aktyvinimo mygtuką ir patikrinkite, ar belaidžio aktyvinimo lemputė mirksi mėlynai.
	Vakuuminio valymo įrenginio parengties jungiklis nenustatytas ties „AUTO“.	Vakuuminio valymo įrenginio parengties jungiklį nustatykite ties „AUTO“.
	Vakuuiniame valymo įrenginyje yra nustatyta daugiau kaip 10 įrankių.	Iš naujo nustatykite įrankį. Jei vakuuiniame valymo įrenginyje nustatyta daugiau kaip 10 įrankių, anksčiausiai nustatytas įrankis bus automatiškai atšauktas.
	Vakuuminis valymo įrenginys ištrynė visus įrankių nustatymus.	Iš naujo nustatykite įrankį.
	Nėra maitinimo	Prijunkite įrankio ir vakuuminio valymo įrenginio maitinimą.
	Įrankis ir vakuuminis valymo įrenginys yra toli vienas nuo kito (už perdavimo diapazono ribų).	Padėkite įrankį ir vakuuminį valymo įrenginį arčiau vienas kito. Didžiausias perdavimo atstumas yra maždaug 10 m, bet jis gali skirtis pagal aplinkybes.
	Kitų prietaisų, generuojančių didelio intensyvumo radijo bangas, keliami radijo bangų trikdžiai.	Patraukite įrankį ir vakuuminį valymo įrenginį toliau nuo tokių prietaisų kaip belaidžio ryšio įrenginiai ir mikrobangų krosnelės.
Vakuuminis valymo įrenginys veikia įrankiui neveikiant.	Kiti naudotojai naudoja belaidį vakuuminio valymo įrenginio aktyvinimą su savo įrankiais.	Išjunkite kitų įrankių belaidžio aktyvinimo mygtuką arba atšaukite kitų įrankių nustatymą.

TECHNINĖ PRIEŽIŪRA

▲ PERSPĖJIMAS: Visuomet įsitikinkite, ar įrankis yra išjungtas ir akumuliatoriaus kasetė yra nuimta prieš atlikdami apžiūrą ir priežiūrą.

PASTABA: Niekada nenaudokite gazolino, benzino, tirpiklio, spirito arba panašių medžiagų. Gali atsirasti išblukimų, deformacijų arba įtrūkimų.

Kad gaminyt būtų SAUGUS ir PATIKIMAS, jį taisyti, apžiūrėti ar vykdyti bet kokią kitą priežiūrą ar derinimą turi įgaliotasis kompanijos „Makita“ techninės priežiūros centras; reikia naudoti tik kompanijos „Makita“ pagamintas atsargines dalis.

Įrankio valymas

PASTABA: Neplaukite įrankio vandeniu.

Kaskart po naudojimo nuimkite akumuliatorių kasetes ir diską, tada išvalykite disko dangtyje susikaupusias dulkes ir nešvarumus. Sausa arba muilinu vandeniu sudrėkinta ir nugręžta šluoste nuo įrankio korpuso nuvalykite dulkes ir nešvarumus. Sausa šluoste nuvalykite dulkes nuo lemputės lešio. Būkite atsargūs, kad nesubraižytumėte lemputės lešio, nes gali pablogėti apšvietimas.

► **Pav.33:** 1. Disko dangtis 2. Lemputės sklaidytuvas

Oro angų valymas

Reguliariai išvalykite įrankio oro angas arba tada, kai jos užsikemša.

► **Pav.34:** 1. Ventilacijos anga

Sinchronizavimo diržo keitimas

1. Ištraukite akumuliatoriaus kasetę ir nuimkite diską.

2. Movinio veržliarakčio kitu galu atsukite šešiakampės lizdinės galvutės varžtus ir nuimkite dangtį.

► **Pav.35:** 1. Veržliaraktis 2. Šešiakampės lizdinės galvutės varžtas 3. Dangtis

3. Įspauskite ašies fiksatoriaus mygtuką ir palaikykite, kad užrakintumėte didįjį skriemulį. Tada plonuoju movinio veržliarakčio galu pasukite veržlę prieš laikrodžio rodyklę.

► **Pav.36:** 1. Didysis skriemulys 2. Ašies fiksatoriaus mygtukas

4. Įspauskite ašies fiksatoriaus mygtuką ir palaikykite, kad užrakintumėte didįjį skriemulį. Tada storuoju movinio veržliarakčio galu pasukite mažąjį diską prieš laikrodžio rodyklę, kad atlaisvintumėte sinchronizavimo diržą.

► **Pav.37:** 1. Ašies fiksatoriaus mygtukas 2. Didysis skriemulys 3. Mažasis diskas

5. Nuimkite diržą.

6. Prijunkite vieną diržo galą (grioveliai turi būti vidinėje pusėje) prie mažojo skriemulio, o kitą – prie didžiojo skriemulio.

► **Pav.38:** 1. Diržas 2. Didysis skriemulys 3. Mažasis skriemulys

7. Įspauskite ašies fiksatoriaus mygtuką ir palaikykite, kad užrakintumėte didįjį skriemulį. Tada storuoju movinio veržliarakčio galu pasukite mažąjį diską pagal laikrodžio rodyklę, kad priveržtumėte diržą.

► **Pav.39:** 1. Ašies fiksatoriaus mygtukas 2. Didysis skriemulys

PASTABA: Užtikrinkite, kad mažasis diskas būtų reikiamoje padėtyje, kaip parodyta iliustracijoje.

► **Pav.40:** 1. Mažasis diskas

8. Įspauskite ašies fiksatoriaus mygtuką ir palaikykite, kad užrakintumėte didįjį skriemulį. Tada plonuoju movinio veržliarakčio galu pasukite veržlę pagal laikrodžio rodyklę.

► **Pav.41:** 1. Ašies fiksatoriaus mygtukas

PASTABA: Veržlę priveržkite 19-21 N·m sukimo momentu.

9. Prijunkite dangtį ir movinio veržliarakčio galu priveržkite šešiakampės lizdinės galvutės varžtus.

► **Pav.42:** 1. Veržliaraktis 2. Šešiakampės lizdinės galvutės varžtas 3. Dangtis

GEDIMŲ ŠALINIMAS

Prieš kreipdamiesi dėl remonto darbų, pirmiausia patikrinkite gedimus patys. Kilus problemų, apie kurias nepaaiškinta vartotojo vadove, nemėginkite ardyti įrankio. Kreipkitės į įgaliotuosius „Makita“ techninės priežiūros centrus, kuriuose remontui visuomet naudojamos originalios „Makita“ keičiamosios dalys.

Neįprasta būklė	Tikėtina priežastis (triktis)	Ištaisomoji priemonė
Neveikia variklis.	Neįdėtos akumuliatoriaus kasetės.	Įdėkite dvi akumuliatoriaus kasetes. Šis įrankis neveikia tik su viena akumuliatoriaus kasete.
	Akumuliatoriaus problema (per maža įtampa)	Įkraukite akumuliatorių. Jei įkrauti nepavyksta, akumuliatoriaus kasetę pakeiskite.
	Netinkamai veikia pavaros sistema.	Dėl remonto kreipkitės į vietinį įgaliotąjį techninės priežiūros centrą.
Po trumpo naudojimo laikotarpio variklis nustoja veikęs.	Mažas akumuliatoriaus įkrovos lygis.	Įkraukite akumuliatorių. Jei įkrauti nepavyksta, akumuliatoriaus kasetę pakeiskite.
	Perkaitimas.	Nesinaudokite įrankiu ir leiskite jam atvėsti.
Net nepaveikus įrankiu be apkrovos 20 minučių, diskas tinkamai nepagraižėja.	Akumuliatorius netinkamai įdėtas.	Akumuliatorių kasetes įdėkite taip, kaip aprašyta šiame vadove.
	Mažėja akumuliatoriaus galia.	Įkraukite akumuliatorių kasetes. Jei įkrauti nepavyksta, akumuliatoriaus kasetę pakeiskite.
	Praslysta sinchronizavimo diržas.	Pakeiskite sinchronizavimo diržą nauju.
	Netinkamai veikia pavaros sistema.	Dėl remonto kreipkitės į vietinį įgaliotąjį techninės priežiūros centrą.
Diskas nesisuka: ⇒ Nedelsdami sustabdykite įrenginį!	Praslysta sinchronizavimo diržas.	Pakeiskite sinchronizavimo diržą nauju.
	Tarp disko dangčio ir disko įstrigo pašalinis objektas.	Išimkite akumuliatorių kasetes ir pašalinkite pašalinį objektą.
	Netinkamai veikia pavaros sistema.	Dėl remonto kreipkitės į vietinį įgaliotąjį techninės priežiūros centrą.
Neįprasta vibracija: ⇒ Nedelsdami sustabdykite įrenginį!	Netinkamai pritvirtintas diskas.	Įdėkite diską, kaip aprašyta šiame vadove. Patikimai priveržkite disko tvirtinimo varžtą.
	Netinkamai veikia pavaros sistema.	Dėl remonto kreipkitės į vietinį įgaliotąjį techninės priežiūros centrą.
Pjovimo įrankis ir variklis nesustoja: ⇒ Nedelsdami išimkite akumuliatoriaus kasetę!	Elektros ar elektronikos sistemos gedimas.	Išimkite akumuliatorių kasetes ir susisiekite su vietiniu įgaliotuoju priežiūros centru dėl remonto.
Prastai pjaunama	Metas keisti diską.	Pakeiskite diską nauju.
Silpnai siurbia vakuuminis valymo įrenginys.	Užsikimšo vakuuminio valymo įrenginio filtras.	Išvalykite filtrą. Jei, išvalius filtrą, problema išlieka, pakeiskite filtrą.
Apatinis apsaugas neveikia tinkamai.	Disko dangtyje susikaupė dulkių.	Kelis kartus įtraukite apatinį apsaugą ir gražinkite atgal.

PASIRENKAMI PRIEDAI

▲PERSPĖJIMAS: Šiuos papildomus priedus arba įtaisus rekomenduojama naudoti su šioje instrukcijoje nurodytu „Makita“ bendrovės įrankiu. Naudojant bet kokius kitus papildomus priedus arba įtaisus, gali kilti pavojus sužeisti žmones. Naudokite tik nurodytam tikslui skirtus papildomus priedus arba įtaisus.

Jeigu norite daugiau sužinoti apie tuos priedus, kreipkitės į artimiausią „Makita“ techninės priežiūros centrą.

- Deimantinis diskas
- Žiedų rinkinys
- Sinchronizavimo diržas
- Veržliaraktis
- Belaidis blokas
- Originalus „Makita“ akumuliatorius ir įkroviklis

PASTABA: Kai kurie sąrašė esantys priedai gali būti pateikti įrankio pakuotėje kaip standartiniai priedai. Jie įvairiose šalyse gali skirtis.

TEHNILISED ANDMED

Mudel:	CE002G
Ketta läbimõõt	350–355 mm
Maksimaalne ketta paksus	4,0 mm
Maksimaalne lõikesügavus	127 mm
Nimipöörlemiskiirus	4 200 min ⁻¹
Nimipinge	Alalisvool 72 V – 80 V max
Tolmuimeja soovituslik õhumaht	1,8 m ³ /min või rohkem
Üldpikkus	825 mm
Netokaal	13,1-15,1 kg

- Meie pideva uuringu- ja arendusprogrammi tõttu võidakse tehnilisi andmeid muuta ilma sellest ette teatamata.
- Tehnilised andmed võivad riigiti erineda.
- Kaal võib erineda olenevalt lisaseadistest, kaasa arvatud akukassetist. Kergeim ja raskeim kombinatsioon EPTA-protseduuri 01/2014 kohaselt on toodud tabelis.

Sobiv akukasset ja laadija

Akukasset	BL4040 / BL4050F* / BL4080F* *: Soovituslik aku
Laadija	DC40RA / DC40RB / DC40RC

- Mõned eespool loetletud akukassetid ja -laadijad ei pruugi olla teie riigis saadaval.

⚠ HOIATUS: Kasutage ainult ülalpool loetletud akukasseid ja laadureid. Muude akukassetide ja laadurite kasutamine võib tekitada vigastusi ja/või tulekahju.

Sümbolid

Alljärgnevalt kirjeldatakse tingimärke, mida võidakse seadmetel kasutada. Enne seadme kasutamist tehke endale selgeks nende tähendus.



Lugege juhendit.



Kandke kaitseprille.



Ärge kasutage abrasiivlõikeketast.
Kasutada tohib ainult teemantketast.



Ärge lõigake metalli.



Ärge lisage vett.



Ainult EL-i riikide puhul
Seadmes sisalduvate ohtlike osade tõttu võivad elektri- ja elektroonikaseadmete jäätmed, akud ja patareid avaldada negatiivset mõju keskkonnale ja inimeste tervisele.

Elektri- ja elektroonikaseadmeid ega akusid ei tohi kõrvaldada koos olmejäätmetega!
Euroopa elektri- ja elektroonikaseadmete jäätmete, akude ja patareide ning nende jäätmete direktiivi ja riiklikku õigusesse ülevõtmise kohaselt tuleb elektri- ja elektroonikaseadmete, akude ja patareide jäätmed koguda eraldi ning viia eraldiseisvasse olmejäätmete kogumispunkti, mis tegutseb kooskõlas keskkonnakaitse eeskirjadega. Sellele osutab seadmele paigaldatud läbikriipsutatud ratastega prügikasti sümbol.

Kavandatud kasutus

Tööriist on ette nähtud müritismaterjalide lõikamiseks teemantkettaga.

Müra

Tüüpiline A-korrigeeritud müratase, määratud standardi EN60745-2-22 kohaselt:

Helirõhutase (L_{pA}): 106 dB (A)

Helivõimsuse tase (L_{WA}): 117 dB (A)

Määramatus (K): 3 dB (A)

MÄRKUS: Deklareeritud müra väärtust (väärtuseid) on mõõdetud kooskõlas standardse katsemeetodiga ning seda võib kasutada ühe seadme võrdlemiseks teisega.

MÄRKUS: Deklareeritud müra väärtust (väärtuseid) võib kasutada ka mürataseme esmaseks hindamiseks.

⚠️HOIATUS: Kasutage kõrvakaitsmeid.

⚠️HOIATUS: Müratase võib elektritööriista tegelikkuses kasutamise ajal erineda deklareeritud väärtus(t) est olenevalt tööriista kasutusviisidest ja eriti töödeldavast toorikust.

⚠️HOIATUS: Rakendage operaatori kaitsmiseks kindlasti piisavaid ohutusabinõusid, mis põhinevad hinnangulisel müratasemel tegelikus tööolukorras (võttes arvesse tööperioodi kõiki osasid, näiteks korrad, kui seade lülitatakse välja ja seade töötab tühikäigul, lisaks tööajale).

Vibratsioon

Töörežiim: betooni lõikamine

Vasak käsi		Parem käsi		Kohaldatav standard
$a_{h,w}$ (m/s^2)	Kõikumine K (m/s^2)	$a_{h,w}$ (m/s^2)	Kõikumine K (m/s^2)	
$\leq 2,5$	1,5	$\leq 2,5$	1,5	EN60745-2-22

MÄRKUS: Deklareeritud vibratsiooni koguväärtust (-väärtuseid) on mõõdetud kooskõlas standardse katsemeetodiga ning seda võib kasutada ühe seadme võrdlemiseks teisega.

MÄRKUS: Deklareeritud vibratsiooni koguväärtust (-väärtuseid) võib kasutada ka mürataseme esmaseks hindamiseks.

⚠️HOIATUS: Vibratsioonitase võib elektritööriista tegelikkuses kasutamise ajal erineda deklareeritud väärtus(t)est olenevalt tööriista kasutusviisidest ja eriti töödeldavast toorikust.

⚠️HOIATUS: Rakendage operaatori kaitsmiseks kindlasti piisavaid ohutusabinõusid, mis põhinevad hinnangulisel müratasemel tegelikus tööolukorras (võttes arvesse tööperioodi kõiki osasid, näiteks korrad, kui seade lülitatakse välja ja seade töötab tühikäigul, lisaks tööajale).

Vastavusdeklaratsioon

Ainult Euroopa riikide puhul

Vastavusdeklaratsioonid on selle juhendi A-lisas.

Juhtmeta ketaslõikuri ohutushoiatused

Lõikemasina ohutushoiatused

1. Tööriistaga kaasas olev kaitsepiire peab olema kinnitatud seadme külge kindlalt ja suurimat ohutust tagavas asendis, nii et võimalikult väike osa ketta kasutajapoolselt küljest on katmata. Ärge seiske ise ja ärge lubage kõrvalistel isikutel seista kohakuti pöörketta tasapinnaga. Piire aitab kaitajat purunenud kettatükkide ja kettaga juhuslikku kokkupuutesse sattumise eest kaitsta.
2. Kasutage elektritööriistaga ainult teemantlõikekettaid. Asjaolu, et tarviku saab elektritööriista külge kinnitada, ei taga ohutut töötamist.
3. Tarviku nimikiirus peab olema vähemalt võrdne elektritööriistale märgitud maksimaalse kiirusega. Tarvikud, mis töötavad nimikiirusest suuremal kiirusel, võivad katki minna ja laiali lennata.
4. Kettaid tohib kasutada ainult ettenähtud otstarbel. Näiteks ärge kasutage lõikeketta külge lihvimiseks. Lõikekettad on ette nähtud äärepindade lihvimiseks, nende ketastele rakendatavad küljõud võivad ketta purustada.

OHUTUSHOIATUS

Üldised elektritööriistade ohutushoiatused

⚠️HOIATUS Lugege läbi kõik selle elektritööriistaga kaasas olevad ohutushoiatused, juhised, illustratsioonid ja tehnilised andmed. Alljärgnevate juhiste eiramine võib põhjustada elektrilöögi, süttimise ja/või raske kehavigastuse.

Hoidke edaspidisteks viideteks alles kõik hoiatused ja juhtnõid.

Hoiatuses kasutatud termini „elektritööriist“ all peetakse silmas elektriga töötavaid (juhtmeta) elektritööriistu või akuga töötavaid (juhtmeta) elektritööriistu.

5. **Kasutage alati rikkumata servadega kettaid, mille läbimõõt sobib valitud tööriistaga.** Sobivad kettaäärkud toestavad ketast, vähendades ketta purunemise ohtu.
6. **Tarviku välisdiameeter ja paksus peavad jääma teie elektritööriista puhul ettenähtud parameetrite nimiaandmete vahemikku.** Valedel mõõtudega tarvikud ei ole tööriistas nõuetekohaselt kaitsitud ega kontrolli all.
7. **Kettavõlli ava ja äärikute suurus peavad sobima elektritööriista võlli suurusega.** Elektritööriista kinnitussvahenditega mittesobivate avadega ketaste ja äärikute paigaldamisel lähivad viimased tasakaalust välja, vibreerivad tugevalt ja võivad põhjustada juhitavuse kaotust.
8. **Ärge kasutage rikutud servadega kettaid.** Enne igakordset kasutamist kontrollige, et kettal ei oleks tükkeid ja mörasid. Juhul, kui elektritööriist või ketas peaks maha kukkuma, kontrollige, et ei esineks kahjustusi või paigaldage uus ketas. Pärast ketta kontrollimist ja paigaldamist, seadke ennast ja kohalviibijad pöördketta terast eemale ja käituge elektritööriista maksimaalsel kiirusel ilma koormuseta ühe minuti jooksul. Rikutud kettad purunevad tavaliselt testimise käigus.
9. **Kandke isiklikku kaitsevarustust. Rakendused olenevalt kandke näokaitset, kaitseprille või prille. Vajadusel kandke tolmumaski, kõrvaklappe, kindaid ja tööpõlle, mis kaitseb väikeste lihvimis- või töödeldava detaili osakeste eest.** Silmakaitsemid peavad kaitsma töö käigus tekkivate lenduvate osakeste eest. Tolmumask või respiraator peab kaitsma töö käigus tekkivate filtreeruvate osakeste eest. Alaline kokkupuude suure müraga võib põhjustada kuulmiskahjustuse.
10. **Hoidke kõrvalseisjad tööalast turvalises kauguses. Kõik, kes sisenevad tööalasse, peavad kandma kaitsevarustust.** Töödeldava detaili osakesed või purunenud ketas võivad lenduda ja põhjustada vigastuse tööpiirkonna vahetus läheduses viibijatele.
11. **Hoidke elektritööriista ainult isoleeritud haardepindadest, kui töötate kohas, kus lõiketera puutuda vastu varjatud juhtmeid.** Voolu all oleva juhtmega kokkupuutes sattunud lõiketera võib pingestada elektritööriista metallosi ning põhjustada kasutajale elektrilöögi.
12. **Ärge pange elektritööriista maha, kui tarviku liikumine pole täielikult peatunud.** Pöörlev tarvik võib pinna külge takerduda ja elektritööriist võib kontrolli alt väljuda.
13. **Ärge käituge elektritööriista ajal, kui kannate seda.** Juhuslik kokkupuude pöörleva tarvikuga võib põhjustada riiete kinnijäämist ja tarviku kehasse tõmmata.
14. **Puhastage elektritööriista õhuavasid regulaarselt.** Mootori ventilaator tõmbab tolmü korpusesse ja metallitolmu liigne kogunemine võib põhjustada elektriõhtu.
15. **Ärge kasutage seadet tuleohtlike materjalide lähedal.** Need materjalid võivad sädemetena süttida.
16. **Ärge kasutage tarvikuid, mis nõuavad jahutusvedelikke.** Vee või teiste jahutusvedelike kasutamine võib põhjustada surmava elektrilöögi või elektrišoki.

Tagasilöökk ja vastavad hoiatused

Tagasilöökk on kinnikiilunud või mõne eseme otsa sattunud pöörleva lõikeketta ootamatul reaktioon. Kinnikiilumine või pörkimine põhjustab pöörleva ketta kiiret seismajäämist, mis omakorda sunnib juhitamatult elektritööriista liikuma vastassuunas ketta pöörlemise suunale ühenduspunkti. Näiteks, kui ketas takerdub või kiilub töödeldavasse detaili, võib siseneda kettaserv selles kohas materjali lõikuda ning selle tagajärjel välja tulla või välja paiskuda. Lõikeketas võib hüpata kasutaja poole või kasutajast eemale olenevalt ketta liikumissuunast kinnikiilumiskohas. Sellistes tingimustes võivad kettad ka puruneda. Tagasilöökk tekib elektritööriista väärkasutamisel ja/või mittevastava tööprotseduuri või -tingimuste korral ning on vältitav, kui rakendate alljärgnevalt esitatud vastavaid ettevaatusabinõusid.

1. **Hoidke elektritööriistast tugevasti kinni ning seadke keha ja küünarnukk sellisesse asendisse, mis võimaldab tagasilöögile õigesti reageerida.** Kasutage alati abikäepidet, kui see on olemas, et tööriista käivitamisel tagasilöögi ja pöördemomendi vastumõju üle kontrolli saavutada. Asjakohaste ettevaatusabinõude rakendamisel saab operaator tagasilöögi ja pöördemomendi vastumõju kontrollida.
2. **Ärge kunagi asetage kätt pöörleva tarviku lähedale.** Te võite tarvikult tagasilöögi saada.
3. **Ärge seadke ennast ühele joonele pöörleva lõikekettaga.** Ärge viibige alas, kus elektritööriist võib tagasilöögi ajal liikuda. Tagasilöökk paneb tööriista pörkekohas ketta liikumissuunale vastupidises suunas liikuma.
4. **Olge eriti ettevaatlik, kui töötlete nurki, teravaid servi jne. Vältige tarviku pörkimist esemete vastu.** Nurgad, teravad servad ja tagasipörkamine on tavaliselt nendeks teguriteks, mis võivad põhjustada pöörleva tarviku kinnijäämist, kontrolli kaotamist või tagasilööki.
5. **Ärge paigaldage saeketti, puunikerdustera, segmenteeritud teemantketast, mille servasüvendite vahe on suurem kui 10 mm (3/8"), ega hambulist saetera.** Sellised terad põhjustavad sagedast tagasilööki ja juhitavuse kaotust.
6. **Ärge „ummistage“ ketast ega rakendage liigset jõudu.** Ärge püüdke teha liiga sügavat lõiget. Ketta ülepingestamine suurendab ketta koormust ja vastuvõttlikkust vändumisele või kinnijäämisele lõikes ning tagasilöögi esinemise või ketta purunemise võimalust.
7. **Kui ketas kiilub kinni või lõikamine katkeb mingil põhjusel, lülitage elektritööriist välja ja hoidke tööriista liikumatult kuni ketta täieliku seiskumiseni.** Ärge kunagi püüdke ketast lõikest eemaldada ketta liikumise ajal, sest vastasel juhul võib tekkida tagasilöökk. Selgitage välja ketta kinnijäämise põhjus ja rakendage asjakohast parandusmeetet põhjuse kõrvaldamiseks.
8. **Ärge käivitage lõikamist töödeldavas detailis.** Laske kettal saavutada täiskiirus ja sisenege seejärel uuesti ettevaatlikult lõikesse. Kui elektritööriist taaskäivitatakse töödeldavas detailis, võib ketta kinni jääda, ülespoole liikuda või põhjustada tagasilöögi.
9. **Vähendamaks ketta pitsumise ja tagasilöögi ohtu, toestage paneelid või ülemõdulised töödeldavad detailid.** Suured detailid hakkavad painduma omaenese raskuse all. Toed tuleb paigutada töödeldava detaili alla lõikejoone lähedale ja tooriku serva lähedale ketta mõlemal küljel.

10. Olge eriti ettevaatlik, kui teete „sukelduslõikamist“ olemasolevates seinetes või muudes varjatud piirkondades. Väljaulatuv lõiketera võib lõikuda gaasi- või veetorudesse, elektrijuhtmetesse või muudesse esemetesse ning põhjustada tagasilöögi.

Lisaturvahoiatused:

1. **Ärge kasutage abrasiivlõikeketast.** Vastasel juhul võib tulekahju ja/või liigne kuumus põhjustada põletusvigastusi.
2. **Ärge lõigake metallist esemeid.** Vastasel juhul võib tulekahju ja/või liigne kuumus põhjustada põletusvigastusi.
3. Enne segmenteeritud teemantketta kasutamist veenduge, et teemantketta servasüvendite vahe oleks 10 mm (3/8") või vähem ning et tegemist oleks kindlasti lõiketera negatiivse esinurgaga.
4. Ärge kunagi püüdke lõigata rakises tagurpidises asendis hoitava tööriistaga. See on äärmiselt ohtlik ja võib põhjustada tõsiseid õnnetusi.
5. Mõned materjalid võivad sisaldada mürgiseid aineid. Võtke meetmed tolmu sissehingamise ja nahaga kokkupuute vältimiseks. Järgige materjali tarnija ohutusteavet.
6. Hoitudage kettaid vastavalt tootja soovitus-tele. Mittenõuetekohane hoitudamine võib kettaid kahjustada.
7. Kasutage alati oma töö ja lõigatava materjali jaoks sobivat ketast.
8. Enne lõikamist uurige materjali, mida hakkate lõikama. Kui materjal sisaldab plahvatus- või tuleohtlikke aineid, võib see põhjustada plahvatuse või tulekahju.
9. Ärge lülitage tööriista sisse, kui kettakatte ja ketta vahele on jäänud võõrkeha. Sellisel juhul eemaldage akukassett ja võtke võõrkeha ära.
10. Võimaluse korral kasutage töödeldava detaili toestamiseks klambreid või midagi sarnast.
11. Kandke seadmega töötamise ajal alati kõrvaklappe.
12. Ärge lõigake selle tööriistaga puitu.
13. Ketta välimine läbimõõt ja paksus peavad vastama elektritööriista nominaalvõimsusele. Ebaõige suurusega kettad ei ole piisavalt kaitstud ega juhitavad.
14. Elektritööriista kasutamisel tuleb seda hoida kindlalt mõlema käega ning keha ja käsi peavad olema asendis, mis suudaksid tagasilöögi- jõule vastu panna.
15. Hoidke pöörlevat ketast kätest ja näost eemal.
16. Reguleerige kettakatte töö jaoks sobivasse asendisse.
17. Ärge laske tööriistal vee, vihma, muda või lombiveega märjaks saada.
18. Ärge jätke tööriista järelevalveta õue.
19. Tööriista hoitudamisel vältige otsest päikesevalgust ja vihma ning hoiukoht ei tohiks muudatuda liiga kuumaks ega niiskeks.
20. Puhastage regulaarselt tolmuimeja filtrit.

HOIDKE JUHEND ALLES.

▲HOIATUS: ÄRGE UNUSTAGE järgida toote ohutusnõudeid mugavuse või toote (korduskasutamise saavutatud) hea tundmise tõttu. VALE KASUTUS või kasutusjuhendi ohutuseeskirjade eiramine võib põhjustada tervisekahjustusi.

Akukassetiga seotud olulised ohutusjuhised

1. Enne akukasseti kasutamist lugege (1) akulaadiljal, (2) akul ja (3) seadmel olevad juhtnõõrid ja hoiatused läbi.
2. Ärge võtke akukassetti lahti ega muutke seda. See võib põhjustada tulekahju, liigset kuumust või plahvatuse.
3. Kui tööaeg järsult lüheneb, siis lõpetage kohe kasutamine. Edasise kasutamise tulemuseks võib olla ülekuumenemisoht, võimalikud põletused või isegi plahvatus.
4. Kui elektrolüüti satub silma, siis loputage silma puhta veega ja pöörduge koheselt arsti poole. Selline õnnetus võib põhjustada pimedaksjäämist.
5. Ärge tekitage akukassetis lühist:
 - (1) Ärge puutuge klemme elektrijuhtidega.
 - (2) Ärge hoidke akukassetti tööriistakastis koos metallsesemetega, nagu naelad, mündid jne.
 - (3) Ärge tehke akukassetti märjaks ega jätke seda vihma kätte.

Aku lühis võib põhjustada tugevat elektrivoolu, ülekuumenemist, põletusi ning ka seadet tõsiselt kahjustada.

6. Ärge hoidke ega kasutage tööriista ja akukassetti kohtades, kus temperatuur võib tõusta üle 50 °C (122 °F).
7. Ärge põletage akukassetti isegi siis, kui see on saanud tõsiselt vigastada või on täiesti kulu- nud. Akukassett võib tules plahvatada.
8. Ärge naelutage, lõigake, muljuge, visake akukassetti ega laske sel kukkuda, samuti ärge lööge selle pihta kõva esemega. Selline tegevus võib põhjustada tulekahju, liigset kuumust või plahvatuse.
9. Ärge kasutage kahjustatud akut.
10. Sisalduvatele liitium-ioonakudele võivad kohalduda ohtlike kaupade õigusaktide nõuded. Kaubanduslikul transportimisel, näiteks kolmanda poolte või transpordiettevõtete poolt, tuleb järgida pakendil ja siltidel toodud erinõudeid. Transportimiseks ettevalmistamisel on vajalik pidada nõu ohtliku materjali eksperdigaga. Samuti tuleb järgida võimalike riiklike regulatsioonide üksikasjalikumaid nõudeid. Katke teibiga või varjake avatud kontaktid ja pakendage aku selliselt, et see ei saaks pakendis liukuda.
11. Kasutuskõlmatuks muutunud akukassetti kõrvaldamiseks eemaldage see tööriistast ja viige selleks ette nähtud kohta. Järgige kasutuskõlmatuks muutunud aku kõrvaldamisel kohalikke eeskirju.

12. Kasutage akusid ainult Makita heaks kiidetud toodetega. Akude paigaldamine selleks mitte ettenähtud toodetele võib põhjustada süttimist, ülemäärast kuumust, plahvatamist või elektrolüüdi lekkimist.
13. Kui tööriista ei kasutata pika ajaperioodi jooksul, tuleb aku tööriistast eemaldada.
14. Kasutamise ajal ja pärast kasutamist võib akukassett kuumeneda, mis võib põhjustada põletusi või madala temperatuuri põletusi. Olge kuumu akukassetti kandmisel ettevaatlik.
15. Ärge puudutage tööriista klemmi kohe pärast kasutamist, sest see võib olla kuum ja põhjustada põletusi.
16. Hoidke akukassetti klemmid, avad ja sooned tükikestest, tolmust ja mullast puhtad. See võib põhjustada tööriista või aku ülekuumenemist, süttimist, purunemist ja talitlushäireid, mis võib lõppeda põletuste või kehavigastustega.
17. Kui tööriist ei kannata kasutamist kõrgepingeliinide lähedal, ärge kasutage akukassetti kõrgepingeliinide lähedal. Muidu võib tööriist või akukassett puruneda või sellel tõrge tekkida.
18. Hoidke akut lastele kättesaamatult.

HOIDKE JUHEND ALLES.

⚠ETTEVAATUST: Kasutage ainult Makita originaalakusid. Mitte Makita originaalakude või muudetud akude kasutamine võib põhjustada akude süttimise, kehavigastuse ja kahjustuse. Samuti muudab see kehtetuks Makita tööriista ja laadija Makita garantii.

Vihjeid aku maksimaalse kasutaja tagamise kohta

1. Laadige akukassetti enne selle täielikku tühjenemist. Kui märkate, et tööriist töötab väiksema võimsusega, peatage töö ja laadige akukassetti.
2. Ärge laadige täielikult laetud akukassetti. Ütelaadimine lühendab akude kasutusiga.
3. Laadige akukassetti toatemperatuuril 10 °C - 40 °C. Enne laadimist laske kuumenenud akukassetil maha jahtuda.
4. Kui te ei kasuta parajasti akukassetti, eemaldage see tööriistast või laadurist.
5. Kui te ei kasuta akukassetti kauem kui kuus kuud, laadige see.

Juhtmeta seadmega seotud olulised ohutusjuhised

1. Ärge võtke juhtmeta seadet lahti ega muutke seda omavoliliselt.
2. Hoidke juhtmeta seadet lastele kättesaamatus kohas. Kogemata allaneelamise korral pööruda kohe arsti poole.
3. Kasutage juhtmeta seadet ainult koos Makita tööriistadega.
4. Ärge jätke juhtmeta seadet vihma kätte ega märga keskkonda.
5. Ärge kasutage juhtmeta seadet kohtades, kus temperatuur on üle 50 °C.
6. Ärge kasutage juhtmeta seadet kohtades, kus leidub meditsiinilisi seadmeid, nagu südamestimulaatorid.
7. Ärge kasutage juhtmeta seadet kohtades, kus leidub automatiseeritud seadmeid. Muidu võib automatiseeritud seadmetel esineda talitlushäireid või need võivad minna rikki.
8. Ärge töötage juhtmeta seadmega kohtades, kus on kõrge temperatuur ja kus võib esineda staatilist elektrit või elektrilist müra.
9. Juhtmeta seadmed võivad tekitada elektromagnetvälju (EMV), mis ei ole kasutajale kahjulikud.
10. Juhtmeta seade on täppisseade. Olge ettevaatlik, ärge laske juhtmevabal seadmel maha kukkuda ja vältige lööke.
11. Ärge puudutage juhtmeta seadme klemmi paljaste käte või metalletemetele.
12. Juhtmeta seadme tööriista sisse paigaldamisel eemaldage tootest alati aku.
13. Ärge avage pesa katet kohas, kus tolm või vesi võivad pesasse sattuda. Hoidke pesa siselaskeava alati puhtana.
14. Sisestage juhtmeta seade alati õiges suunas.
15. Ärge vajutage juhtmeta seadme juhtmeta aktiveerimise nupule liiga tugevalt ja/või ärge tehke seda teravate servadega esemega.
16. Sulgege pesa kaas alati pärast kasutamist.
17. Ärge eemaldage juhtmeta seadet pesast ajal, kui tööriista varustatakse toitega. Selle juhise järgimata jätmine võib tekitada juhtmeta seadme talitlushäireid.
18. Ärge eemaldage juhtmevabalt seadmelt kleebit.
19. Ärge pange juhtmevabale seadmele mingeid kleebiseid.
20. Ärge jätke juhtmeta seadet kohta, kus võib esineda staatilist elektrit või elektrilist müra.
21. Ärge jätke juhtmeta seadet kohta, kus on väga kuum, nt päikese kätte seisvasse autosse.
22. Ärge jätke juhtmeta seadet tolmusesse või pulbrilisse kohta või kohta, kus võib esineda söövitavaid gaase.
23. Äkiline temperatuuri muutumine võib tekitada juhtmeta seadme pinnale niiskuskihki. Ärge kasutage juhtmeta seadet enne, kui kogunenud niiskus on täielikult ära kuivanud.
24. Juhtmeta seadme puhastamisel pühkige seda õrnalt pehme lapiga. Ärge kasutage bensini, lahusteid, juhtivaid määrdeid vms.
25. Juhtmeta seadme hoiustamisel hoidke seda komplekti kuuluvas karbis või staatikavabas konteineris.
26. Ärge sisestage tööriista pesasse muid seadmeid kui Makita juhtmeta seade.
27. Ärge kasutage tööriista, kui pesa kaas on kahjustunud. Pessa sattuvad vesi, tolm või mustus võivad põhjustada talitlushäireid.
28. Ärge tõmmake ega väänake pesa katet rohkem kui vajalik. Kui tööriistalt tuleb kaas ära, siis pange see oma kohale tagasi.
29. Asendage pesa kaas, kui see on läinud kaduma või kahjustunud.

OSADE KIRJELDUS

► Joon.1

1	Teemantketas	2	Kettakate	3	Kettakatte pide	4	Tolmuotsik
5	Eesmine pide	6	Lamp	7	Akukassett	8	Lahtliukustusnupp
9	Juhtmeta aktiveerimise tuli	10	Juhtmeta aktiveerimise nupp	11	Alumine piire	12	Ratas
13	Võlliluku nupp	14	Kaas (V-rihma jaoks)	15	Klambrihoidik	16	Käepide
17	Lüliti päästik	18	Lambi nupp	19	Ülekoormuse näidik	20	Voolikuklamber A
21	Voolikuklamber B	22	Otsvõti	-	-	-	-

FUNKTSIONAALNE KIRJELDUS

⚠ETTEVAATUST: Kandke alati hoolt selle eest, et tööriist oleks enne reguleerimist ja kontrollimist välja lülitatud ja akukassett eemaldatud.

Akukasseti paigaldamine või eemaldamine

⚠ETTEVAATUST: Lülitage tööriist alati enne akukasseti paigaldamist või eemaldamist välja.

⚠ETTEVAATUST: Akukasseti paigaldamisel või eemaldamisel tuleb tööriista ja akukassetti ei hoita kindlalt paigal hoida. Kui tööriista ja akukassetti ei hoita kindlalt paigal, võivad need käest libiseda ning kahjustada tööriista ja akukassetti või põhjustada kehavigastusi.

Akukasseti paigaldamiseks joondage akukasseti keel korpuse soonega ja libistage kassett oma kohale. Sisestage see tervenisti, kuni see lukustub klõpsuga oma kohale. Kui näete joonisel näidatud punast näidikut, pole see täielikult lukustunud.

Akukasseti eemaldamiseks lükake seda, hoides samal ajal all kasseti esiküljel olevat nuppu.

► Joon.2: 1. Punane näidik 2. Nupp 3. Akukassett

⚠ETTEVAATUST: Paigaldage akukassett alati täies ulatuses nii, et punast osa ei jääks näha. Muidu võib adapter juhuslikult tööriistast välja kukkuda ning põhjustada teile või läheduses viibivatele isikutele vigastusi.

⚠ETTEVAATUST: Ärge rakendage akukasseti paigaldamisel jõudu. Kui kassett ei lähe kergesti sisse, pole see õigesti paigaldatud.

MÄRKUS: Tööriist ei tööta ainult ühe akukassetiga.

Aku jääkmahutavuse näit

Akukasseti järelejäänud mahutavuse kontrollimiseks vajutage kontrollimise nuppu. Märgulambid süttivad mõneks sekundiks.

► Joon.3: 1. Märgulambid 2. Kontrollimise nupp

Märgulambid			Jääkmahutavus
Pöleb	Ei põle	Viigub	
■ ■ ■ ■			75 - 100%
■ ■ ■ □			50 - 75%
■ ■ □ □			25 - 50%
■ □ □ □			0 - 25%
▨ □ □ □			Laadige akut.
■ ■ □ □			Akul võib olla tõrge.
□ □ ■ ■			

MÄRKUS: Näidatud mahutavus võib veidi erineda tegelikust mahutavusest olenevalt kasutustingimustest ja ümbritseva keskkonna temperatuurist.

MÄRKUS: Esimene (taga vasakul asuv) märgutuli vilgub, kui akukaitsesüsteem töötab.

Tööriista/aku kaitsesüsteem

Tööriist on varustatud tööriista või aku kaitsesüsteemiga. Süsteem lülitab mootori automaatselt välja, et pikendada tööriista ja aku tööiga. Tööriist seiskub käitamise ajal automaatselt, kui tööriista või aku kohta kehtib üks järgmistest tingimustest. Teatud tingimustes hakkavad indikaatorid põlema.

Ülekoormuskaitse

Kui tööriist/aku hakkab kasutamise käigus tarbima ebaharilikult palju voolu, seiskub tööriist automaatselt. Sel juhul lülitage tööriist välja ja lõpetage töö, mis põhjustas tööriista ülekoormuse. Pärast seda käivitage tööriist uuesti.

Ülekoormemiskaitse

Kui tööriist/aku on ülekoormenenud, seiskub tööriist automaatselt ja lamp hakkab vilkuma. Sellisel juhul laske tööriistal maha jahtuda, enne kui selle uuesti sisse lülitate.

Ülelaadimiskaitse

Kui aku võimsus väheneb, seiskub tööriist automaatselt ning akukasseti märgutuli hakkab vilkuma. Kui tööriist ei hakka tööle isegi lülitite kasutamisel, eemaldage akud tööriistast ja laadige neid.

Kaitse muude olukordade eest

Kaitseüsteem on mõeldud ka muude olukordade jaoks, mis võivad tööriista kahjustada, ja võimaldab tööriistal automaatselt seiskuda. Kui tööriist on ajutiselt peatatud või seiskunud, toimige põhjuste kõrvaldamiseks järgnevalt.

1. Lülitage tööriist välja ja seejärel taaskäivitamiseks uuesti sisse.
2. Laadige akut (akusid) või asendage laetud aku(de)ga.
3. Laske masinal ja aku(de)l jahtuda.

Kui kaitseüsteemi taastamiseks ei õnnestu olukorda parandada, võtke ühendust kohaliku Makita hoolduskeskusega.

TÄHELEPANU: Kui tööriist on seiskunud põhjusel, mida eespool pole kirjeldatud, lugege tõrkeotsingu jaotist.

Liigkoormuse hoiatus

Kui tööriista kasutatakse liiga suurel koormusel, hakkab ülekoormuse näidik punaselt vilkuma. Sellises olukorras vähendage tööriista koormust. Seejärel lõpetab märgutuli vilkumise.

► **Joon.4:** 1. Ülekoormuse näidik

Lüliti funktsioneerimine

▲HOIATUS: Kontrollige alati enne akukasseti tööriista külge paigaldamist, kas lüliti päästik funktsioneerib nõuetekohaselt ja liigub lahtilaskmisel tagasi väljalülitatud asendisse.

▲HOIATUS: Lahtilukustusnupu fikseerimine kleeplini või muu taolisega on KEELATUD. Inaktiveeritud lahtilukustusnupuga lüliti võib põhjustada masina soovimatu sisselülitumise ja tõsiseid vigastusi.

▲HOIATUS: ÄRGE kasutage KUNAGI tööriista, kui see käivitub ka siis, kui lahtilukustusnupu vajutamata tõmbate lihtsalt lüliti päästikut. Remonti vajav lüliti võib põhjustada masina soovimatu sisselülitumise ja tõsiseid vigastusi. ENNE edasist kasutamist viige masin parandamiseks Makita teeninduskeskusesse.

Lüliti päästiku juhusliku vajutamise vältimiseks on tööriistal lahtilukustusnupp. Tööriista käivitamiseks vajutage lukust avamise nupp alla ja tõmmake lüliti päästikut. Seiskamiseks vabastage lüliti päästik.

► **Joon.5:** 1. Lüliti päästik 2. Lahtilukustusnupp

TÄHELEPANU: Ärge tõmmake lüliti päästikut tugevasti ilma lahtilukustusnupu vajutamata. See võib lüliti ära lõhkuda.

Lambi põlema panemine

▲ETTEVAATUST: Ärge vaadake otse valgusse ega valgusallikat.

Lambi sisselülitamiseks vajutage lambi nupule. Väljalülitamiseks vajutage uuesti lambi nupule.

► **Joon.6:** 1. Lambi nupp 2. Lamp

MÄRKUS: Lamp lülitatakse automaatselt välja, kui tööriista ei kasutata ühe minuti jooksul.

Kettakatte reguleerimine

Hoidke kettakatte käepidet ja reguleerige kettakate oma tööks sobivasse asendisse.

► **Joon.7:** 1. Kettakatte pide

Aktiivne tagasiside tajumise tehnoloogia

Tööriist tuvastab elektrooniliselt olukorrad, kus ketast võib ohustada kinnijäämine. Sellisel juhul lülitub tööriist automaatselt välja, et spindel edasi ei pöörleks (see ei ennetata tagasilööki).

Tööriista taaskäivitamiseks lülitage tööriist esmalt välja, kõrvaldage pöörlemiskiiruse ootamatu langemise põhjus ja lülitage tööriist seejärel uuesti sisse.

Elektriline pidur

Tööriista väljalülitamise järel aktiveeritakse elektriline pidur. Kui elektrivarustus katkestatakse, näiteks aku juhuslikult eemaldamisel, kuid lüliti jääb endiselt sisselülitatud asendisse, siis pidur ei toimi.

KOKKUPANEK

▲ETTEVAATUST: Kandke alati hoolt selle eest, et tööriist oleks enne igasuguseid hooldustööd välja lülitatud ja akukassett eemaldatud.

Teemantketta paigaldamine või eemaldamine

▲ETTEVAATUST: Kasutage ketta paigaldamiseks ja eemaldamiseks ainult Makita mutrivõtit.

▲ETTEVAATUST: Kinnitage ketta paigaldamisel põlt kindlasti korralkiit.

▲ETTEVAATUST: Ärge vajutage võlliilukku ketta pöörlemise ajal.

Ketta eemaldamiseks vajutage võlliiluku nuppu ja pöörake ketast, kuni see enam ei pöörle. Kui võlliilukk on täielikult lukustatud, keerake kuuskantpolti otsvõtmega vastupäeva. Seejärel eemaldage kuuskantpolt, äärik, ketas, rõngas ja äärik selles järjekorras.

► **Joon.8:** 1. Võlliiluku nupp 2. Otsvõti 3. Pingutage

4. Vabastage

► **Joon.9:** 1. Kuuskantkrui 2. Äärik 3. Rõngas

4. Teemantketas 5. Nool (ketta pöörlemissuund)

Ketta paigaldamiseks järgige eemaldamise protseduuri vastupidises järjekorras.
VEENDUGE, ET KUUSKANTPOLT OLEKS KORRALIKULT KINNI.

⚠ETTEVAATUST: Paigaldage ketas alati nii, et sellel asuv nool näitaks samasse suunda kui kettakattel olev nool. Muidu pöörleb ketas vastasuunas ja võib põhjustada kehavigastusi.

⚠ETTEVAATUST: Kasutage ainult sellist ketast, millele märgitud kiirus on võrdne tööriistale märgitud kiirusega või sellest suurem.

MÄRKUS: Ketta paigaldamisel kinnitage äärikud selliselt, et ääriku lame pool oleks vastu ketast, ning kinnitage ketta siseläbimõduga sobiv rõngas.

- **Joon.10:** 1. Kuuskantpolt 2. Äärik 3. Rõngas
4. Teemantketas

Tolmuimeja ühendamine

TÄHELEPANU: Kui tolmuimejat ei ühendata, sulgege alati kate.

Kui soovite puhtamalt lõigata, ühendage tööriista külge Makita tolmuimeja.

Eemaldage kate ja ühendage tolmuimeja voolik.

- **Joon.11:** 1. Kate 2. Tolmuotsik 3. Voolik
4. Tolmuimeja

Võite muuta tolmuotsiku nurka joonisel näidatud viisil.

- **Joon.12**

Voolikuklamber

TÄHELEPANU: Kui tööriista ei kasutata, siis eemaldage sellelt alati voolikuklamber.

TÄHELEPANU: Ärge avage ja sulgege voolikuklambrit liigselt. Muidu võib voolikuklamber katki minna.

Tolmuimejavooliku hõlpsamaks käsitsemiseks võib paigaldada voolikuklambri.

1. Kinnitage voolikule voolikuklamber A või voolikuklamber B.

Tüüp	Vooliku välisläbimõõt
Voolikuklamber A	ø 40–46 mm (ø 1-9/16" – 1-13/16")
Voolikuklamber B	ø 35–40 mm (ø 1-3/8" – 1-9/16")

- **Joon.13:** 1. Voolikuklamber A / voolikuklamber B
2. Voolik

2. Sisestage voolikuklambri tihvtid klambrihoidiku avadesse.

Veenduge, et kaks tihvti läheksid avadesse.

- **Joon.14:** 1. Tihvt 2. Ava 3. Klambrihoidik

3. Voolikuklambril eemaldamiseks järgige paigaldamise protseduuri vastupidises järjekorras.

Otsvõtme hoieplanek

Kui otsvõti ei kasutata, pange see kaotamise vältimiseks joonisel näidatud viisil hoiele.

- **Joon.15:** 1. Otsvõti

TÖÖRIISTA KASUTAMINE

Alumise piirde funktsioneerimise kontrollimine

Eemaldage akukassett.

Tõmmake alumine piire käsitsi lõpuni kokku ja laske lahti. Alumine piire töötab korralikult, kui:

- see liigub ilma takistusega tagasi ning
- see läheb automaatselt tagasi esialgsesse asendisse.

- **Joon.16:** 1. Alumine piire

Kui alumine piire ei tööta korralikult, kontrollige, ega kettakatte sisemus pole kogunenud tolmu.

Osa tolmu saab eemaldada alumise piirde korduva kokku-lahti liigutamiseega.

Kui alumine piire ei tööta korralikult isegi pärast tolmu eemaldamist, laske masinat hooldada Makita teeninduskeskuses.

Märkus ebatavalise müra kohta

TÄHELEPANU: Ärge kasutage deformeerunud ega vana teemantketast. Vastasel juhul võib tekkida rike, ebatavaline müra või purunemine.

Isegi kui teemantketas on uus ja ei ole deformeerunud, võib see teha ebatavalist müra, näiteks metalli hõõrdumise heli väikesel kiirusel töötamise ajal. See ei ole tööriista talitlushäire. Mõned teemantkettad võivad teha ebatavalist müra, kui tööriist töötab väikesel kiirusel. Selle põhjus on, et teemantketas ja kettakaitse asuvad tõhusaks tolmu- ja kütuseühenditeks üksteisele väga lähedastiku.

Pange tööriist täiskiirusel tööle ja proovige sellega lõigata. Ebatavaline müra väheneb.

Lõikamine

⚠ETTEVAATUST: Töö käigus toetage töödeldavat detaili kindlasti tugevalt stabiilsele pingile või lauale.

⚠ETTEVAATUST: Ärge keerake tööriista lõikamise ajal ega kasutage jõudu, muidu võib mootoris tekkida ülekoormus või töödeldav detail puruneda.

⚠ETTEVAATUST: Töötamise ajal ärge tõstke tööriista oma öla kõrgusest kõrgemale.

- **Joon.17**

1. Hoidke tööriistast kindlalt kinni. Hoidke parema käega käepidemest ja vasaku käega eesmisest pidemest. Elektrijuhntme juhuslikust lõikamisest põhjustatud elektrilöögi vältimiseks hoidke alati kinni eesmise pideme ettenähtud osast, nagu joonisel on näidatud.

- **Joon.18:** 1. Kinnihoitava osa

2. Lülitage tööriista sisse, nii et teemantketas ei puutuks kuskile vastu, ja oodake, kuni teemantketas saavutab täiskiiruse.

3. Sisestage teemantketas ettevaatlikult otse töödeldavasse detaili ning libistage tööriista sujuvalt tagasi, kuni löige on tehtud.

- Hoidke löikejoon sirge ja libistage ühtlasel kiirusel.
- Libistage tööriista alumisel piirdel oleva noole suunas.

Kui liigutate tööriista edasi (st kui liigutate tööriista noolele vastupidises suunas), väheneb tolmu kogunemise tõhusus oluliselt.

► **Joon.19:** 1. Nool

• Hoidke alumist piiret edasi vastu töödeldavat detaili. Kui alumise piirde ja töödeldava detaili vahel on vahe, hakkab tolm lekkima ja tolmu kogunemise tõhusus väheneb.

► **Joon.20:** 1. Alumine piire

MÄRKUS: Kui akukasseti temperatuur on madal, ei pruugi tööriist töötada täisvõimsusel. Sellisel juhul kasutage tööriista mõnda aega näiteks kergemal režiimil lõikamiseks, kuni akukassett soojeneb toatemperatuurini. Pärast seda saab tööriist töötada täisvõimsusel.

MÄRKUS: Kui teemantketas löikeomadused hakkavad halvenema, lihvide selle serva vana kasutusest kõrvaldatud jämedateralise käiakivi või betoonploki. Lihvide teemantketas välisservale kergelt vajutades.

JUHTMETA AKTIVEERIMISE FUNKTSIOON

Lisatarvik

TÄHELEPANU: Enne funktsiooni kasutamist paigaldage valikuline tolmu kate ja lisatarvikud.

Mida võimaldab juhtmeta aktiveerimise funktsioon

Juhtmeta aktiveerimise funktsioon võimaldab puhast ja mugavat töötamist. Ühendades toetatud tolmuimeja tööriistaga, saate käivitada tolmuimeja automaatselt koos tööriista lüliti toimimisega.

► **Joon.21**

Juhtmeta aktiveerimise funktsiooni kasutamiseks valmistage ette alljärgnev:

- juhtmeta seade (valikuline tarvik);
- tolmuimeja, mis toetab juhtmeta aktiveerimise funktsiooni.

Alljärgnevalt on toodud juhtmeta aktiveerimise funktsiooni seadistamise ülevaade. Üksikasjalikuma teabe saamiseks vaadake konkreetseid jaotisi.

1. Juhtmeta seadme paigaldamine
2. Tööriista registreerimine tolmuimeja jaoks
3. Juhtmeta aktiveerimise funktsiooni käivitamine

Juhtmeta seadme paigaldamine

Valikuline tarvik

▲ ETTEVAATUST: Juhtmeta seadme paigaldamisel asetage tööriist tasasele ja kindlale pinnale.

TÄHELEPANU: Enne juhtmeta seadme paigaldamist puhastage tööriist tolmust ja mustusest. Kui tolm ja mustus satuvad juhtmeta seadme pessa, siis võib esineda talitushäireid.

TÄHELEPANU: Staatika põhjustatud talitushäirete vältimiseks puudutage enne juhtmeta seadme ülestõstmist staatikat eemaldavat materjali, näiteks tööriista metallist osa.

TÄHELEPANU: Juhtmeta seadme paigaldamisel veenduge alati, et juhtmeta seade oleks sisestatud õiges suunas ja kaas oleks korralikult suletud.

1. Avage tööriista kaas joonisel näidatud viisil.

► **Joon.22:** 1. Kaas

2. Sisestage juhtmeta seade pesasse ja sulgege kaas.

Juhtmeta seadme sisestamisel joondage väljaulatuvad osad pesa süvendatud osadega.

► **Joon.23:** 1. Juhtmeta seade 2. Väljaulatuv osa 3. Kaas 4. Süvendatud osa

Juhtmeta seadme eemaldamisel avage kaas aeglaselt. Kaane tagaküljel asuvad konksud tõstavad juhtmeta seadme koos kaanega välja.

► **Joon.24:** 1. Juhtmeta seade 2. Konks 3. Kaas

Pärast eemaldamist hoidke juhtmeta seadet komplekti kuuluvas karbis või staatikavabas konteineris.

TÄHELEPANU: Juhtmeta seadme eemaldamisel kasutage alati kaane tagaküljel asuvaid konkse. Kui konksud ei haaku juhtmeta seadmega, sulgege kaas täielikult ja avage aeglaselt uuesti.

Tööriista registreerimine tolmuimeja jaoks

MÄRKUS: Registreerimiseks on vajalik Makita tolmuimeja, mis toetaks juhtmeta aktiveerimise funktsiooni.

MÄRKUS: Enne tööriista registreerimist tuleb juhtmeta seade tööriista paigaldada.

MÄRKUS: Tööriista registreerimise ajal ärge tõmmake lüliti päästikut ega lülitage tolmuimeja toitelüliti sisse.

MÄRKUS: Vt ka tolmuimeja kasutusjuhendit.

Kui te soovite tolmuimeja koos tööriista lüliti toimimisega aktiveerida, siis peate kõigepealt lõpetama tööriista registreerimise.

1. Paigaldage patareid nii tolmuimejasse kui ka tööriista.
2. Seadke tolmuimeja ooterežiimi lüliti asendisse „AUTO“.

► **Joon.25:** 1. Ooterežiimi lüliti

3. Vajutage tolmuimejal juhtmeta aktiveerimise nuppu ja hoidke seda 3 sekundit all, kuni juhtmeta aktiveerimise tuli hakkab roheliselt vilkuma. Seejärel vajutage samamoodi tööriista juhtmeta aktiveerimise nuppu.

- ▶ **Joon.26:** 1. Juhtmeta aktiveerimise nupp
- 2. Juhtmeta aktiveerimise tuli

Kui tolmuimeja ja tööriist on edukalt seotud, siis juhtmeta aktiveerimise tuled süttivad 2 sekundiks roheliselt ja hakkavad seejärel siniselt vilkuma.

MÄRKUS: Juhtmeta aktiveerimise lambid lõpetavad roheliselt vilkumise 20 sekundi pärast. Vajutage juhtmeta aktiveerimise nuppu tööriistal, kui puhastajal vilgub juhtmeta aktiveerimise tuli. Kui juhtmeta aktiveerimise tuli ei vilgu roheliselt, siis vajutage korraks juhtmeta aktiveerimise nuppu ja hoidke seda uuesti all.

MÄRKUS: Sidudes kahte või enamat tööriista ühe tolmuimejaga, lõpetage tööriistade registreerimine ükshaaval.

Juhtmeta aktiveerimise funktsiooni käivitamine

MÄRKUS: Enne juhtmeta aktiveerimist tuleb lõpetada tööriista tolmuimejaga sidumine.

MÄRKUS: Vt ka tolmuimeja kasutusjuhendit.

Pärast tööriista sidumist tolmuimejaga, käivitub tolmuimeja automaatselt tööriista lülite abil.

1. Paigaldage juhtmeta seade tööriista sisse.
2. Ühendage tolmuimeja voolik tööriistaga.

▶ **Joon.27**

3. Seadke tolmuimeja ooterežiimi lüliti asendisse „AUTO“.

▶ **Joon.28:** 1. Ooterežiimi lüliti

4. Vajutage korraks tööriistal olevat juhtmeta aktiveerimise nuppu. Juhtmeta aktiveerimise tuli vilgub siniselt.

▶ **Joon.29:** 1. Juhtmeta aktiveerimise nupp

2. Juhtmeta aktiveerimise tuli

5. Lülitage tööriist sisse. Kontrollige, kas tolmuimeja töötab tööriista töötamise ajal.

Tolmuimeja juhtmeta aktiveerimise peatamiseks vajutage tööriista juhtmeta aktiveerimise nuppu.

MÄRKUS: Tööriista juhtmeta aktiveerimise tuli lõpetab siniselt vilkumise, kui 2 tunni jooksul ei tehta ühtegi toimingut. Sellisel juhul seadke tolmuimeja ooterežiimi lüliti asendisse „AUTO“ ja vajutage tööriistal uuesti juhtmeta aktiveerimise nuppu.

MÄRKUS: Tolmuimeja alustab/peatub viivitusega. Kui tolmuimeja tuvastab tööriista lüliti toimimise, esineb viivitus.







MÄRKUS: Juhtmeta seadme edastamise kaugus võib olenevalt asukohast ja ümbritsevatest oludest erineda.

MÄRKUS: Kui ühe tolmuimejaga seotakse kaks või enam tööriista, võib tolmuimeja hakata tööle isegi siis, kui te ei lülita tööriista sisse, sest mõni teine kasutaja kasutab juhtmeta aktiveerimise funktsiooni.

Juhtmeta aktiveerimise tule oleku kirjeldus

► Joon.30: 1. Juhtmeta aktiveerimise tuli

Juhtmeta aktiveerimise tuli näitab juhtmeta aktiveerimise funktsiooni olekut. Tule oleku tähendust näete allolevast tabelist.

Olek	Juhtmeta aktiveerimise tuli				Kirjeldus
	Värv	 Põleb	 Vilgub	Kestus	
Ooteaeg	Sinine			2 tundi	Tolmuimeja juhtmeta aktiveerimine on saadaval. Tuli lülitub automaatselt välja, kui 2 tunni jooksul ei tehta ühtegi toimingut.
				Kui tööriist on käivitatud.	Tolmuimeja juhtmeta aktiveerimine on saadaval ja tööriist on käivitatud.
Tööriista registreerimine	Roheline			20 sekundit	Valmis tööriista registreerimiseks. Tolmuimeja poolse registreerimise ootamine.
				2 sekundit	Tööriista registreerimine on lõpetatud. Juhtmeta aktiveerimise tuli hakkab siniselt vilkuma.
Tööriista registreerimise tühistamine	Punane			20 sekundit	Valmis tööriista registreerimise tühistamiseks. Tolmuimeja poolse tühistamise ootamine.
				2 sekundit	Tööriista registreerimise tühistamine on lõpetatud. Juhtmeta aktiveerimise tuli hakkab siniselt vilkuma.
Muu	Punane			3 sekundit	Juhtmeta seade on ühendatud toitega ja juhtmeta aktiveerimise funktsioon käivitub.
	Väljas	-		-	Tolmuimeja juhtmeta aktiveerimine on peatatud.

Tööriista registreerimise tühistamine tolmuimeja jaoks

Tööriista registreerimise tühistamiseks tolmuimeja jaoks tuleb toimida alljärgnevalt.

1. Paigaldage patareid nii tolmuimejasse kui ka tööriista.
2. Seadke tolmuimeja ooterežiimi lüliti asendisse „AUTO“.

► Joon.31: 1. Ooterežiimi lüliti

3. Vajutage tolmuimejal juhtmeta aktiveerimise nuppu ja hoidke seda 6 sekundit all. Juhtmeta aktiveerimise tuli vilgub roheliselt ja muutub seejärel punaseks. Seejärel vajutage samamoodi tööriista juhtmeta aktiveerimise nuppu.

- Joon.32: 1. Juhtmeta aktiveerimise nupp
2. Juhtmeta aktiveerimise tuli

Kui tolmuimeja ja tööriist on edukalt lahutatud, siis juhtmeta aktiveerimise tuled süttivad 2 sekundiks punaselt ja seejärel hakkavad need siniselt vilkuma.

MÄRKUS: Juhtmeta aktiveerimise lambid lõpetavad punaselt vilkumise 20 sekundi pärast. Vajutage juhtmeta aktiveerimise nuppu tööriistal, kui puhastajal vilgub juhtmeta aktiveerimise tuli. Kui juhtmeta aktiveerimise tuli ei vilgu punaselt, siis vajutage korraks juhtmeta aktiveerimise nuppu ja hoidke seda uuesti all.

Juhtmeta aktiveerimise funktsiooni veatsing

Enne remonditöökotta pöördumist kontrollige niidukit ise. Ärge üritage niidukit lahti võtta, kui leiate probleemi, mida kasutusjuhendis ei kirjeldata. Selle asemel pöörduge Makita volitatud teeninduskeskusesse, kus kasutatakse remontimisel alati Makita tagavaraosi.

Tõrge	Võimalik põhjus (riike)	Lahendus
Juhtmeta aktiveerimise tuli ei põle / ei vilgu.	Tööriista sisse ei ole juhtmeta seadet paigaldatud. Juhtmeta seade on tööriista sisse valesti paigaldatud.	Paigaldage juhtmeta seade õigesti.
	Juhtmeta seadme klemm ja/või pesa on määrduanud.	Pühkige juhtmeta seadme klemmilt ettevaatlikult tolm ja mustus ning puhastage pesa.
	Tööriistal olevat juhtmeta aktiveerimise nuppu ei ole vajutatud.	Vajutage korraks tööriistal olevat juhtmeta aktiveerimise nuppu.
	Tolmuimeja ooterežiimi lüliti ei ole seadud asendisse „AUTO“.	Seadke tolmuimeja ooterežiimi lüliti asendisse „AUTO“.
	Puudub toiteallikas	Varustage tööriist ja tolmuimeja toiteallikaga.
Tööriista registreerimist / tööriista registreerimise tühistamist ei õnnestu edukalt lõpetada.	Tööriista sisse ei ole juhtmeta seadet paigaldatud. Juhtmeta seade on tööriista sisse valesti paigaldatud.	Paigaldage juhtmeta seade õigesti.
	Juhtmeta seadme klemm ja/või pesa on määrduanud.	Pühkige juhtmeta seadme klemmilt ettevaatlikult tolm ja mustus ning puhastage pesa.
	Tolmuimeja ooterežiimi lüliti ei ole seadud asendisse „AUTO“.	Seadke tolmuimeja ooterežiimi lüliti asendisse „AUTO“.
	Puudub toiteallikas	Varustage tööriist ja tolmuimeja toiteallikaga.
	Vale kasutamine	Vajutage korraks juhtmeta aktiveerimise nuppu ja tehke tööriista registreerimise/tühistamise toimingud uuesti.
	Tööriist ja tolmuimeja asuvad teineteisest liiga kaugel (on edastamise ulatusest väljas).	Viige tööriist ja tolmuimeja üksteisele lähemale. Maksimaalne ülekandekaugus on umbes 10 m, kuid see võib olenevalt asjaoludest varieeruda.
	Enne tööriista registreerimise/tühistamise lõpetamist; - tööriista lüliti on sisse lülitatud või; - tolmuimeja toitenupp on sisse lülitatud.	Vajutage korraks juhtmeta aktiveerimise nuppu ja tehke tööriista registreerimise/tühistamise toimingud uuesti.
	Tööriista või tolmuimeja sidumistoimingud on lõpetamata.	Tehke samal ajal nii tööriista kui ka tolmuimeja registreerimistoimingud.
	Teiste seadmete tekitatud raadiohäiring, mis tekitab väga intensiivseid raadiolaineid.	Hoidke tööriista ja tolmuimejat WIFI-seadmetest ja mikrolaineahjust eemal.
Tolmuimeja ei tööta tööriista lüliti kaudu.	Tööriista sisse ei ole juhtmeta seadet paigaldatud. Juhtmeta seade on tööriista sisse valesti paigaldatud.	Paigaldage juhtmeta seade õigesti.
	Juhtmeta seadme klemm ja/või pesa on määrduanud.	Pühkige juhtmeta seadme klemmilt ettevaatlikult tolm ja mustus ning puhastage pesa.
	Tööriistal olevat juhtmeta aktiveerimise nuppu ei ole vajutatud.	Vajutage korraks juhtmeta aktiveerimise nuppu ja veenduge, et juhtmeta aktiveerimise tuli vilguks siniselt.
	Tolmuimeja ooterežiimi lüliti ei ole seadud asendisse „AUTO“.	Seadke tolmuimeja ooterežiimi lüliti asendisse „AUTO“.
	Tolmuimejaga on seotud üle 10 tööriista.	Tehke registreerimistoiming uuesti. Kui tolmuimejaga on seotud üle 10 tööriista, siis kõige esimesena registreeritud tööriista sidumine tühistatakse automaatselt.
	Tolmuimeja kustutas kõik registreeritud tööriistad.	Registreerige tööriist uuesti.
	Puudub toiteallikas	Varustage tööriist ja tolmuimeja toiteallikaga.
	Tööriist ja tolmuimeja asuvad teineteisest liiga kaugel (on edastamise ulatusest väljas).	Viige tööriist ja tolmuimeja üksteisele lähemale. Maksimaalne ülekandekaugus on umbes 10 m, kuid see võib olenevalt asjaoludest varieeruda.
	Teiste seadmete tekitatud raadiohäiring, mis tekitab väga intensiivseid raadiolaineid.	Hoidke tööriista ja tolmuimejat WIFI-seadmetest ja mikrolaineahjust eemal.
Tolmuimeja töötab, kui tööriist ei tööta.	Teised kasutajad kasutavad oma tööriistaga tolmuimeja juhtmeta aktiveerimist.	Lülitage teiste tööriistade juhtmeta aktiveerimise nupp välja või tühistage teiste tööriistade registreerimine.

HOOLDUS

ÄTTEVAATUST: Enne kontroll- või hooldus- toimingute tegemist kandke alati hoolet selle eest, et tööriist oleks välja lülitatud ja akukasset korpuse küljest eemaldatud.

TÄHELEPANU: Ärge kunagi kasutage bensiini, vedelidit, alkoholi ega midagi muud sarnast. Selle tulemuseks võib olla luitumine, deformatsioon või pragunemine.

Toote OHUTUSE ja TÖÖKINDLUSE tagamiseks tuleb vajalikud remonttööd ning muud hooldus- ja reguleerimistööd lasta teha Makita volitatud teeninduskeskustes või tehase teeninduskeskustes. Alati tuleb kasutada Makita varuosi.

Tööriista puhastamine

TÄHELEPANU: Ärge peske tööriista veega.

Pärast igat kasutust eemaldage akukassetid ja ketas ning eemaldage seejärel kettakattesse kogunenud tolm ja mustus. Tööriista korpuse puhastamiseks pühkige sellelt kuiva või seebivette kastetud ja välja väänatud lapiga tolm ja mustus. Pühkige lambiklaas kuiva lapiga puhtaks. Olge seda tehes ettevaatlik, et lambiklaasi mitte kriimustada, sest muidu võib valgustugevus väheneda.

► **Joon.33:** 1. Kettakate 2. Lambi lääts

Õhuava puhastamine

Puhastage tööriista ventilatsiooniavasid regulaarselt või siis, kui need hakkavad ummistuma.

► **Joon.34:** 1. Õhuava

Hammasrihma vahetamine

1. Eemaldage akukassetid ja ketas.
2. Lõdvendage kuuskant-pesapeapoldid otsvõtmega ja eemaldage seejärel kate.

► **Joon.35:** 1. Otsvõti 2. Kuuskant-pesapeapolt
3. Kaas

3. Suure rihmaratta lukustamiseks vajutage völliuku nupp sisse ja hoidke seda sees; seejärel keerake mutrit vastupäeva, kasutades otsvõtme õhukest otsa.

► **Joon.36:** 1. Suur rihmaratas 2. Völliuku nupp

4. Suure rihmaratta lukustamiseks vajutage völliuku nupp sisse ja hoidke seda sees; seejärel keerake hammasrihma vabastamiseks väikest ketast vastupäeva, kasutades otsvõtme paksu otsa.

► **Joon.37:** 1. Völliuku nupp 2. Suur rihmaratas
3. Väike ketas

5. Eemaldage rihm.

6. Kinnitage rihma üks ots rihma siseküljel olevate soontega väikesele rihmarattale ning seejärel kinnitage rihma teine ots suurele rihmarattale.

► **Joon.38:** 1. Rihm 2. Suur rihmaratas 3. Väike rihmaratas

7. Suure rihmaratta lukustamiseks vajutage völliuku nupp sisse ja hoidke seda all; seejärel keerake rihma kinnitamiseks väikest ketast päripäeva, kasutades otsvõtme paksu otsa.

► **Joon.39:** 1. Völliuku nupp 2. Suur rihmaratas

MÄRKUS: Veenduge, et väike ketas oleks joonisel kujutatud asendis.

► **Joon.40:** 1. Väike ketas

8. Suure rihmaratta lukustamiseks vajutage völliuku nupp sisse ja hoidke seda sees; seejärel keerake mutrit päripäeva, kasutades otsvõtme õhukest otsa.

► **Joon.41:** 1. Völliuku nupp

MÄRKUS: Mutri kinnikeeramisel kasutage 19-21 Nm pingutusmomenti.

9. Kinnitage kate ja seejärel keerake kuuskant-pesapeapoldid otsvõtme otsa abil kiinni.

► **Joon.42:** 1. Otsvõti 2. Kuuskant-pesapeapolt
3. Kaas

VEAOTSING

Enne remonditöökotta pöördumist kontrollige niidukit ise. Ärge üritage niidukit lahti võtta, kui leiate probleemi, mida kasutusjuhendis ei kirjeldata. Selle asemel pöörduge Makita volitatud teeninduskeskusesse, kus kasutatakse remon-
timisel alati Makita tagavaraosi.

Tõrge	Võimalik põhjus (riike)	Lahendus
Mootor ei tööta.	Akukassetid ei ole paigaldatud.	Paigaldage kaks akukasseti. Tööriist ei tööta ainult ühe akukassetiga.
	Akuga seotud probleem (alapinge)	Laadige aku. Kui laadimine ei anna tulemust, vahetage akukassetit välja.
	Veosüsteem ei tööta korralikult.	Paluge volitatud teeninduskeskuses teha parandustööd.
Mootor seiskub pärast lühiajalist töötamist.	Aku laetustase on madal.	Laadige aku. Kui laadimine ei anna tulemust, vahetage akukassetit välja.
	Ülekuumenemine.	Lõpetage tööriista kasutamine ja laske sel maha jahtuda.
Ketta pöörlemine ei kiirene korralikult isegi siis, kui tööriist on töötanud ilma koormuseta 20 sekundit.	Aku ei ole õigesti paigaldatud.	Paigaldage akukassetid selles juhendis kirjeldatud viisil.
	Aku võimsus langeb.	Laadige akukassetit. Kui laadimine ei anna tulemust, vahetage akukassetit välja.
	Hammasrihm libiseb.	Vahetage hammasrihm uue vastu.
	Veosüsteem ei tööta korralikult.	Paluge volitatud teeninduskeskuses teha parandustööd.
Ketas ei pöörle: ⇒ Seisake masin viivitamatult!	Hammasrihm libiseb.	Vahetage hammasrihm uue vastu.
	Võõrkeha on kettakatte ja ketta vahele kinni jäänud.	Eemaldage akukassetid ja seejärel eemaldage võõrkeha.
	Veosüsteem ei tööta korralikult.	Paluge volitatud teeninduskeskuses teha parandustööd.
Ebatavaline vibratsioon: ⇒ Seisake masin viivitamatult!	Ketas on valesti kinnitatud.	Paigaldage ketas juhendis kirjeldatud viisil. Ketta tugevalt kinnitamiseks keerake polt kinni.
	Veosüsteem ei tööta korralikult.	Paluge volitatud teeninduskeskuses teha parandustööd.
Lõikeriist ja mootor ei seisku: ⇒ Eemaldage viivitamatult akukassetit.	Elektri- või elektroonikarike.	Eemaldage akukassetid ja laske need volitatud teeninduskeskuses parandada.
Kehv lõikamise jõudlus	On aeg ketas välja vahetada.	Vahetage ketas uue vastu.
Tolmuimeja nõrk imemisjõud.	Tolmuimeja filter on ummistunud.	Puhastage filter. Kui filtri puhastamine ei lahenda probleemi, vahetage filter välja.
Alumine piire ei tööta korralikult.	Kettakattesse on kogunenud tolmu.	Liigutage alumist piiret mitu korda kokku-lahti.

VALIKULISED TARVIKUD

⚠ETTEVAATUST: Neid tarvikuid ja liseseadiseid on soovitatav kasutada koos Makita tööriistaga, mille kasutamist selles kasutusjuhendis kirjeldatakse. Muude tarvikute ja liseseadiste kasutamiseega kaasneb vigastada saamise oht. Kasutage tarvikuid ja liseseadiseid ainult otstarbekohaselt.

Saate vajaduse korral kohalikust Makita teeninduskeskusest lisateavet nende tarvikute kohta.

- Teemantketas
- Rõngakomplekt
- Hammasrihm
- Otsvõti
- Juhtmeta seade
- Makita algupärane aku ja laadija

MÄRKUS: Mõned nimekirjas loetletud tarvikud võivad kuuluda standardvarustusse ning need on lisatud tööriista pakendisse. Need võivad riigiti erineda.

ТЕХНИЧЕСКИЕ ХАРАКТЕРИСТИКИ

Модель:	CE002G
Диаметр диска	350 - 355 мм
Макс. толщина диска	4,0 мм
Макс. глубина резки	127 мм
Номинальная рабочая частота	4 200 мин ⁻¹
Номинальное напряжение	72–80 В пост. тока макс.
Рекомендуемый объем воздуха в пылесосе	Не менее 1,8 м ³ /мин
Общая длина	825 мм
Масса нетто	13,1 - 15,1 кг

- Благодаря нашей постоянно действующей программе исследований и разработок указанные здесь технические характеристики могут быть изменены без предварительного уведомления.
- Технические характеристики могут различаться в зависимости от страны.
- Масса может отличаться в зависимости от дополнительного оборудования. Обратите внимание, что блок аккумулятора также считается дополнительным оборудованием. В таблице представлены комбинации с наибольшим и наименьшим весом в соответствии с процедурой EPTA 01/2014.

Подходящий блок аккумулятора и зарядное устройство

Блок аккумулятора	BL4040 / BL4050F* / BL4080F* *: рекомендуемый аккумулятор
Зарядное устройство	DC40RA / DC40RB / DC40RC

- В зависимости от региона проживания некоторые блоки аккумуляторов и зарядные устройства, перечисленные выше, могут быть недоступны.

⚠ОСТОРОЖНО: Используйте только перечисленные выше блоки аккумуляторов и зарядные устройства. Использование других блоков аккумуляторов и зарядных устройств может привести к травме и/или пожару.

СИМВОЛЫ

Нижеследующие символы, которые могут использоваться для обозначения оборудования. Перед использованием убедитесь в том, что вы понимаете их значение.

	Прочитайте руководство по эксплуатации.
	Надевайте защитные очки.
	Не используйте абразивный отрезной диск. Для этого инструмента подходит только алмазный диск.
	Не режьте металлы.
	Не используйте подачу воды.



Только для стран ЕС

В связи с наличием в оборудовании опасных компонентов отходы электрического и электронного оборудования, аккумуляторы и батареи могут оказывать негативное влияние на окружающую среду и здоровье человека. Не выбрасывайте электрические и электронные устройства или батареи вместе с бытовыми отходами! В соответствии с директивой ЕС по отходам электрического и электронного оборудования, по аккумуляторам, батареям и отходам аккумуляторов и батарей, а также в соответствии с ее адаптацией к национальному законодательству, отходы электрического оборудования, батареи и аккумуляторы следует хранить отдельно и доставлять на пункт раздельного сбора коммунальных отходов, работающий с соблюдением правил охраны окружающей среды. Это обозначено символом в виде перечеркнутого мусорного контейнера на колесах, нанесенным на оборудование.

Назначение

Данный инструмент предназначен для резки кладочных материалов алмазным диском.

Шум

Типичный уровень взвешенного звукового давления (A), измеренный в соответствии с EN60745-2-22:

Уровень звукового давления (L_{pA}): 106 дБ (A)

Уровень звуковой мощности (L_{WA}): 117 дБ (A)

Погрешность (K): 3 дБ (A)

ПРИМЕЧАНИЕ: Заявленное значение распространения шума измерено в соответствии со стандартной методикой испытаний и может быть использовано для сравнения инструментов.

ПРИМЕЧАНИЕ: Заявленное значение распространения шума можно также использовать для предварительных оценок воздействия.

⚠ОСТОРОЖНО: Используйте средства защиты слуха.

⚠ОСТОРОЖНО: Распространение шума во время фактического использования электроинструмента может отличаться от заявленного значения в зависимости от способа применения инструмента и в особенности от типа обрабатываемой детали.

⚠ОСТОРОЖНО: Обязательно определите меры безопасности для защиты оператора, основанные на оценке воздействия в реальных условиях использования (с учетом всех этапов рабочего цикла, таких как выключение инструмента, работа без нагрузки и включение).

Вибрация

Рабочий режим: резка бетона

Левосторонний		Правосторонний		Применимый стандарт
$a_{h,w}$ (м/с ²)	Погрешность, К (м/с ²)	$a_{h,w}$ (м/с ²)	Погрешность, К (м/с ²)	
≤ 2,5	1,5	≤ 2,5	1,5	EN60745-2-22

ПРИМЕЧАНИЕ: Заявленное общее значение распространения вибрации измерено в соответствии со стандартной методикой испытаний и может быть использовано для сравнения инструментов.

ПРИМЕЧАНИЕ: Заявленное общее значение распространения вибрации можно также использовать для предварительных оценок воздействия.

⚠ОСТОРОЖНО: Распространение вибрации во время фактического использования электроинструмента может отличаться от заявленного значения в зависимости от способа применения инструмента и в особенности от типа обрабатываемой детали.

⚠ОСТОРОЖНО: Обязательно определите меры безопасности для защиты оператора, основанные на оценке воздействия в реальных условиях использования (с учетом всех этапов рабочего цикла, таких как выключение инструмента, работа без нагрузки и включение).

Декларации о соответствии

Только для европейских стран

Декларации о соответствии включены в Приложение А к настоящему руководству по эксплуатации.

МЕРЫ БЕЗОПАСНОСТИ

Общие рекомендации по технике безопасности для электроинструментов

⚠ОСТОРОЖНО Ознакомьтесь со всеми инструкциями по технике безопасности, указаниями, иллюстрациями и техническими характеристиками, прилагаемыми к данному электроинструменту. Несоблюдение всех приведенных далее инструкций может привести к поражению электрическим током, возгоранию и/или тяжелым травмам.

Сохраните брошюру с инструкциями и рекомендациями для дальнейшего использования.

Термин "электроинструмент" в предупреждениях относится ко всему инструменту, работающему от сети (с проводом) или на аккумуляторах (без провода).

Правила техники безопасности при работе с аккумуляторным резчиком

Правила техники безопасности при использовании отрезной машины

1. Защитный кожух, поставляемый с инструментом, должен быть надежно закреплен и расположен для обеспечения максимальной защиты так, чтобы со стороны оператора оставалась открытой минимальная часть диска. Вы и сторонние наблюдатели должны находиться на максимально возможном расстоянии от плоскости вращения диска. Ограждение помогает обезопасить оператора от отлетающих осколков поврежденного диска и случайного контакта с ним.

2. Для работы с электроинструментом используйте только алмазные отрезные диски. Возможность установки принадлежности на электроинструмент сама по себе не гарантирует безопасной работы.
3. Номинальная скорость принадлежностей должна быть как минимум равна максимальной скорости, обозначенной на инструменте. При превышении номинальной скорости принадлежности она может разломиться на части.
4. Диски должны использоваться только для рекомендованных целей. Например: не шлифуйте краем отрезного диска. Отрезные диски предназначены для периферийного шлифования; боковые усилия, прилагаемые к таким дискам, могут вызвать их разрушение.
5. Обязательно используйте неповрежденные фланцы соответствующего выбранному диску диаметра. Подходящие фланцы поддерживают диск, снижая вероятность его повреждения.
6. Внешний диаметр и толщина принадлежности должны соответствовать номинальной мощности инструмента. Принадлежности, размер которых подобран неверно, не гарантируют безопасности и точности управления.
7. Размер оправки дисков и фланцев должен в точности соответствовать параметрам шпинделя электроинструмента. Несовпадение диаметра оправки дисков, фланцев и монтажного узла электроинструмента может привести к нарушению балансировки, сильной вибрации и потере контроля над инструментом.
8. Не используйте поврежденные диски. Перед каждым использованием осматривайте диски на предмет сколов и трещин. В случае падения электроинструмента или диска убедитесь в отсутствии повреждений или установите неповрежденный диск. После осмотра и установки диска отойдите сами и попросите отойти сторонних наблюдателей на безопасное расстояние от плоскости вращения диска, затем включите инструмент на максимальной мощности без нагрузки и дайте ему поработать в течение одной минуты. Поврежденные диски обычно разрушаются за время такой проверки.
9. Надевайте индивидуальные средства защиты. В зависимости от выполняемых операций используйте защитную маску или защитные очки. При необходимости используйте респиратор, средства защиты слуха, перчатки и передник, способный защитить от маленьких фрагментов абразива или заготовки. Средства защиты органов зрения должны предохранять от летящих фрагментов, появляющихся при выполнении различных операций. Пылезащитная маска или респиратор должны обеспечивать фильтрацию пыли, возникающей во время работы. Продолжительное воздействие сильного шума может стать причиной потери слуха.
10. Посторонние лица должны находиться на безопасном расстоянии от рабочего места. Любой приближающийся к рабочему месту человек должен предварительно надеть индивидуальные средства защиты. Фрагменты обрабатываемой детали или разрушенного диска могут разлететься и причинить травмы даже за пределами рабочей зоны.
11. Если при выполнении работ существует риск контакта режущего инструмента со скрытой электропроводкой, держите электроинструмент только за специально предназначенные изолированные поверхности. Контакт режущего инструмента с проводом под напряжением приведет к тому, что металлические детали инструмента также будут под напряжением. Это может стать причиной поражения оператора электрическим током.
12. Не кладите инструмент, пока принадлежность полностью не остановится. Вращающийся диск может зацепить поверхность, и вы можете не удержать инструмент.
13. Не включайте инструмент во время переодоски. Случайный контакт с вращающейся принадлежностью может привести к заземлению одежды и притягиванию принадлежности к телу.
14. Регулярно прочищайте вентиляционные отверстия инструмента. Вентилятор электродвигателя засасывает пыль внутрь корпуса, а значительные отложения металлической пыли могут привести к поражению электрическим током.
15. Не используйте инструмент вблизи горючих материалов. Эти материалы могут воспламениться от искр.
16. Не используйте принадлежности, требующие жидкостного охлаждения. Использование воды или других охлаждающих жидкостей может привести к поражению электрическим током, в том числе смертельному.

Отдача и соответствующие предупреждения
Отдача – это неожиданная реакция зажатого или застрявшего вращающегося диска. Застывание или застопоривание вызывает резкую остановку вращающегося диска, что, в свою очередь, приводит к неконтролируемому рывку инструмента в направлении, противоположном вращению диска в момент застревания.
Например, если диск зажимается или прихватывается обрабатываемой деталью, то край диска, находящийся в точке заклинивания, может углубиться в поверхность детали, что приведет к выкачиванию или выскакиванию диска. Диск может совершить рывок в направлении оператора или обратно в зависимости от направления движения диска в точке заклинивания. В этих условиях возможно также разламывание дисков.
Отдача – это результат неправильного использования электроинструмента и/или неправильных методов или условий работ, которого можно избежать, соблюдая нижеуказанные меры предосторожности.

- 1. Крепко держите электроинструмент и располагайте свое тело и руки так, чтобы можно было сопротивляться силам отдачи. Обязательно пользуйтесь вспомогательной рукояткой (при наличии), чтобы обеспечить максимальный контроль над отдачей или крутящим моментом во время пуска.** Оператор способен справиться с крутящим моментом и силами отдачи при условии соблюдения соответствующих мер безопасности.
- 2. Не приближайте руки к вращающейся насадке.** При отдаче насадка может задеть ваши руки.
- 3. Не стойте в плоскости вращения диска.** При отдаче инструмент сместится в направлении, противоположном вращению диска в момент застревания.
- 4. Соблюдайте особую осторожность при обработке углов, острых краев и т. п. Не допускайте ударов и застревания принадлежности.** Углы, острые края и удары способствуют прихвату вращающейся принадлежности, которое приводит к выходу из-под контроля или отдаче.
- 5. Не устанавливайте на инструмент пильную цепь, полотно для резки по дереву, сегментированный алмазный диск с периферийным зазором более 10 мм (3/8 дюйм) или пильный диск.** Такие диски часто приводят к возникновению отдачи и потере контроля.
- 6. Не "заклинивайте" диск и не прикладывайте к нему чрезмерное давление. Не пытайтесь делать слишком глубокий разрез.** Перенапряжение диска увеличивает нагрузку и вероятность искривления или застревания диска в прорези, а также отдачи или поломки диска.
- 7. Если диск застревает или процесс резания прерывается по другой причине, выключите электроинструмент и держите его неподвижно до полной остановки диска. Не пытайтесь извлечь диск из разреза до полной остановки, в противном случае может возникнуть отдача.** Выясните и устраните причину застревания диска.
- 8. Не перезапускайте отрезной диск, пока он находится в детали. Дождитесь, пока диск разовьет максимальную скорость, и осторожно погрузите его в разрез.** Диск может застрять, отдача может отбросить его вверх или назад, если перезапустить электроинструмент непосредственно в детали.
- 9. Устанавливайте опоры под панели или большие детали, чтобы уменьшить риск застревания диска и возникновения отдачи.** Большие детали имеют тенденцию к прогибанию под собственным весом. При резании таких панелей необходимо поместить опоры под разрезаемой деталью рядом с линией разреза и рядом с краем детали с обеих сторон диска.
- 10. Будьте особенно осторожны при выполнении врезки в существующих стенах или на других участках, недоступных для осмотра.** Выступающая часть круга может перерезать газовые или водопроводные трубы, электропроводку или детали, которые могут вызвать отдачу.

Дополнительные правила техники безопасности:

- 1. Не используйте абразивный отрезной диск.** В противном случае возгорание и/или перегрев может вызвать ожог.
- 2. Не режьте металлические предметы.** В противном случае возгорание и/или перегрев может вызвать ожог.
- 3. Перед использованием сегментированного алмазного диска убедитесь, что алмазный диск имеет периферийный зазор между сегментами, не превышающий 10 мм (3/8 дюйм), только с отрицательным главным передним углом.**
- 4. Не пытайтесь резать при помощи перевернутого инструмента, зажатого в тисках. Это очень опасно и может привести к серьезным несчастным случаям.**
- 5. Некоторые материалы могут содержать токсичные химические вещества. Примите соответствующие меры предосторожности, чтобы избежать вдыхания или контакта с кожей таких веществ. Соблюдайте требования, указанные в паспорте безопасности материала.**
- 6. Храните диски в соответствии с рекомендациями производителя. Неправильное хранение может привести к повреждению дисков.**
- 7. Всегда используйте диск, подходящий для текущей работы и разрезаемого материала.**
- 8. Перед резкой проверьте подлежащий разрезанию материал. Если в материале содержится взрывоопасные или легковоспламеняющиеся вещества, это может привести к взрыву или возгоранию.**
- 9. Не включайте инструмент в случае застревания постороннего предмета между диском и его защитным кожухом. В этом случае снимите блок аккумулятора и удалите посторонний предмет.**
- 10. Если возможно, для закрепления детали используйте тиски или аналогичное приспособление.**
- 11. Во время работы всегда используйте средства защиты органов слуха.**
- 12. Не используйте этот инструмент для резки материалов из древесины.**
- 13. Внешний диаметр и толщина диска должны соответствовать номинальной мощности электроинструмента. Диски, размер которых подобран неверно, не гарантируют безопасности и точности управления.**
- 14. При работе с электроинструментом крепко держите его обеими руками и располагайте свой корпус и руки так, чтобы можно было сопротивляться силам отдачи.**
- 15. Не держите руки или лицо вблизи вращающегося диска.**
- 16. Кожух диска следует устанавливать в положение, подходящее для конкретной задачи.**
- 17. Не допускайте намокания инструмента от воды, дождя, грязи и глины.**
- 18. Не оставляйте инструмент без присмотра на открытом воздухе.**

19. Не храните инструменты в помещениях с высокой влажностью или температурой, на солнце или под дождем.
20. Регулярно очищайте фильтр пылесоса.

СОХРАНИТЕ ДАННЫЕ ИНСТРУКЦИИ.

▲ОСТОРОЖНО: НЕ ДОПУСКАЙТЕ, чтобы удобство или опыт эксплуатации данного устройства (полученный от многократного использования) доминировали над строгим соблюдением правил техники безопасности при обращении с этим устройством. **НЕПРАВИЛЬНОЕ ИСПОЛЬЗОВАНИЕ** инструмента или несоблюдение правил техники безопасности, указанных в данном руководстве, может привести к тяжелой травме.

Важные правила техники безопасности для работы с аккумуляторным блоком

1. Перед использованием аккумуляторного блока прочитайте все инструкции и предупреждающие надписи на (1) зарядном устройстве, (2) аккумуляторном блоке и (3) инструменте, работающем от аккумуляторного блока.
2. Не разбирайте блок аккумулятора и не меняйте его конструкцию. Это может привести к пожару, перегреву или взрыву.
3. Если время работы аккумуляторного блока значительно сократилось, немедленно прекратите работу. В противном случае, может возникнуть перегрев блока, что приведет к ожогам и даже к взрыву.
4. В случае попадания электролита в глаза промойте их обильным количеством чистой воды и немедленно обратитесь к врачу. Это может привести к потере зрения.
5. Не замыкайте контакты аккумуляторного блока между собой:
 - (1) Не прикасайтесь к контактам какими-либо токопроводящими предметами.
 - (2) Не храните аккумуляторный блок в контейнере вместе с другими металлическими предметами, такими как гвозди, монеты и т. п.
 - (3) Не допускайте попадания на аккумуляторный блок воды или дождя.Замыкание контактов аккумуляторного блока между собой может привести к возникновению большого тока, перегреву, возможному ожогу и даже поломке блока.
6. Не храните и не используйте инструмент и аккумуляторный блок в местах, где температура может достигать или превышать 50 °C (122 °F).
7. Не бросайте аккумуляторный блок в огонь, даже если он сильно поврежден или полностью вышел из строя. Аккумуляторный блок может взорваться под действием огня.

8. Запрещено вбивать гвозди в блок аккумулятора, резать, ломать, бросать, ронять блок аккумулятора или ударять его твердым предметом. Это может привести к пожару, перегреву или взрыву.
9. Не используйте поврежденный аккумуляторный блок.
10. Входящие в комплект литий-ионные аккумуляторы должны эксплуатироваться в соответствии с требованиями законодательства об опасных товарах. При коммерческой транспортировке, например, третьей стороной или экспедитором, необходимо нанести на упаковку специальные предупреждения и маркировку. В процессе подготовки устройства к отправке обязательно проконсультируйтесь со специалистом по опасным материалам. Также соблюдайте местные требования и нормы. Они могут быть строже. Закройте или закрепите разомкнутые контакты и упакуйте аккумулятор так, чтобы он не перемещался по упаковке.
11. Для утилизации блока аккумулятора извлеките его из инструмента и утилизируйте безопасным способом. Выполняйте требования местного законодательства по утилизации аккумуляторного блока.
12. Используйте аккумуляторы только с продукцией, указанной Makita. Установка аккумуляторов на продукцию, не соответствующую требованиям, может привести к пожару, перегреву, взрыву или утечке электролита.
13. Если инструментом не будут пользоваться в течение длительного периода времени, извлеките аккумулятор из инструмента.
14. Во время и после использования блок аккумулятора может нагреваться, что может стать причиной ожогов или низкотемпературных ожогов. Будьте осторожны при обращении с горячим блоком аккумулятора.
15. Не прикасайтесь к контактам инструмента сразу после использования, поскольку они могут быть достаточно горячими, чтобы вызвать ожоги.
16. Не допускайте налипания на контакты, отверстия и пазы блока аккумулятора опилок, пыли или земли. Это может стать причиной перегрева, возгорания, взрыва или неисправности инструмента или блока аккумулятора, что может привести к ожогам или травмам.
17. Если инструмент не рассчитан на использование вблизи высоковольтных линий электропередач, не используйте блок аккумулятора вблизи высоковольтных линий электропередач. Это может привести к неисправности, поломке инструмента или блока аккумулятора.
18. Храните аккумулятор в недоступном для детей месте.

СОХРАНИТЕ ДАННЫЕ ИНСТРУКЦИИ.

ВНИМАНИЕ: Используйте только фирменные аккумуляторные батареи Makita. Использование аккумуляторных батарей, не произведенных Makita, или батарей, которые были подвергнуты модификациям, может привести к взрыву аккумулятора, пожару, травмам и повреждению имущества. Это также автоматически аннулирует гарантию Makita на инструмент и зарядное устройство Makita.

Советы по обеспечению максимального срока службы аккумулятора

1. Заряжайте блок аккумуляторов перед его полной разрядкой. Обязательно прекратите работу с инструментом и зарядите блок аккумуляторов, если вы заметили снижение мощности инструмента.
2. Никогда не подзаряжайте полностью заряженный блок аккумуляторов. Перезарядка сокращает срок службы аккумулятора.
3. Заряжайте блок аккумуляторов при комнатной температуре в 10 - 40 °C (50 - 104 °F). Перед зарядкой горячего блока аккумуляторов дайте ему остыть.
4. Если блок аккумулятора не используется, извлеките его из инструмента или зарядного устройства.
5. Зарядите ионно-литиевый аккумуляторный блок, если вы не будете пользоваться инструментом длительное время (более шести месяцев).

Важные правила техники безопасности для работы с беспроводным блоком

1. Не разбирайте и не меняйте конструкции беспроводного блока.
2. Храните беспроводной блок в недоступном для детей месте. При случайном проглатывании немедленно обратитесь к врачу.
3. Используйте беспроводной блок только с инструментами Makita.
4. Не подвергайте беспроводной блок воздействию дождя или влаги.
5. Не используйте беспроводной блок в тех местах, где температура превышает 50 °C.
6. Не используйте беспроводной блок в тех местах, где поблизости могут находиться медицинские инструменты, например, кардиостимуляторы.
7. Не используйте беспроводной блок в тех местах, где могут находиться автоматизированные устройства. При использовании автоматизированных устройств могут возникнуть сбои или ошибки.
8. Не используйте беспроводной блок в местах, где он может подвергаться воздействию высокой температуры, статического электричества или электрических помех.
9. Беспроводной блок может создавать электромагнитные поля (EMF), которые не представляют опасности для пользователя.

10. Беспроводной блок является точным инструментом. Не роняйте и не ударяйте беспроводной блок.
11. Не прикасайтесь к клемме беспроводного блока голыми руками или металлическими предметами.
12. Во время установки беспроводного блока обязательно вытаскивайте аккумулятор из устройства.
13. Не открывайте крышку гнезда в таких местах, где в него может попасть пыль и вода. Входное отверстие гнезда всегда должно быть чистым.
14. Обязательно вставляйте беспроводной блок в правильном направлении.
15. Не нажимайте слишком сильно кнопку активации на беспроводном блоке и/или не нажимайте кнопку, используя объекты с острым краем.
16. Во время работы обязательно закрывайте крышку гнезда.
17. Не вытаскивайте беспроводной блок из гнезда, если на инструмент подано питание. Это может привести к неисправной работе беспроводного блока.
18. Не снимайте наклейку с беспроводного блока.
19. Не приклеивайте к беспроводному блоку никаких наклеек.
20. Не оставляйте беспроводной блок в таких местах, где может скапливаться статическое электричество или присутствовать электрические помехи.
21. Не оставляйте беспроводной блок в местах с высокой температурой, например на сиденье автомобиля в жару.
22. Не оставляйте беспроводной блок в местах, где присутствует пыль или порошок, или может образоваться коррозионный газ.
23. Внезапное изменение температуры может привести к образованию конденсата на беспроводном блоке. Не используйте беспроводной блок до тех пор, пока конденсат полностью не высохнет.
24. При чистке беспроводного блока аккуратно протрите его сухой мягкой тканью. Не используйте бензин, разбавитель, проводящую смазку или аналогичные материалы.
25. При хранении беспроводного блока поместите его в поставляемый футляр или в контейнер без статического электричества.
26. Не вставляйте в гнездо на инструменте никаких других устройств, кроме беспроводного блока Makita.
27. Не используйте инструмент с поврежденной крышкой гнезда. В гнездо может попасть вода, пыль и грязь, это может привести к неисправности.
28. Не тяните и/или не скручивайте крышку гнезда сильнее, чем это необходимо. Если крышка отсоединилась от инструмента, установите ее на место.
29. Замените крышку гнезда, если она утеряна или повреждена.

СОХРАНИТЕ ДАННЫЕ ИНСТРУКЦИИ.

ОПИСАНИЕ ДЕТАЛЕЙ

► Рис.1

1	Алмазный диск	2	Кожух диска	3	Рукоятка кожуха диска	4	Пылесборный патрубк
5	Передняя рукоятка	6	Лампа	7	Блок аккумулятора	8	Кнопка разблокировки
9	Лампа беспроводной активации	10	Кнопка беспроводной активации	11	Нижний защитный кожух	12	Ролик
13	Кнопка фиксатора вала	14	Крышка (для клинового ремня)	15	Держатель хомута	16	Рукоятка
17	Триггерный переключатель	18	Кнопка лампы	19	Индикатор перегрузки	20	Хомут для шланга А
21	Хомут для шланга В	22	Накидной ключ	-	-	-	-

ОПИСАНИЕ РАБОТЫ

ВНИМАНИЕ: Перед регулировкой или проверкой функций инструмента обязательно убедитесь, что он выключен и его аккумуляторный блок снят.

Установка или снятие блока аккумуляторов

ВНИМАНИЕ: Обязательно выключайте инструмент перед установкой и извлечением аккумуляторного блока.

ВНИМАНИЕ: При установке и извлечении аккумуляторного блока крепко удерживайте инструмент и аккумуляторный блок. Если не соблюдать это требование, они могут выскользнуть из рук, что приведет к повреждению инструмента, аккумуляторного блока и травмированию оператора.

Для установки блока аккумулятора совместите выступ блока аккумулятора с пазом в корпусе и задвиньте его на место. Устанавливайте блок до упора, чтобы он зафиксировался с небольшим щелчком. Если вы видите красный индикатор, как показано на рисунке, он не зафиксирован полностью.

Для извлечения блоков аккумуляторов нажмите кнопку на лицевой стороне блока и поднимите блок аккумулятора.

► Рис.2: 1. Красный индикатор 2. Кнопка 3. Блок аккумулятора

ВНИМАНИЕ: Обязательно устанавливайте аккумуляторный блок до конца, чтобы красный индикатор не был виден. В противном случае аккумуляторный блок может выпасть из инструмента и нанести травму вам или другим людям.

ВНИМАНИЕ: Не прилагайте чрезмерных усилий при установке аккумуляторного блока. Если блок не движется свободно, значит он вставлен неправильно.

ПРИМЕЧАНИЕ: Инструмент не будет работать с одним блоком аккумулятора.

Индикация оставшегося заряда аккумулятора

Нажмите кнопку проверки на аккумуляторном блоке для проверки заряда. Индикаторы загорятся на несколько секунд.

► Рис.3: 1. Индикаторы 2. Кнопка проверки

Индикаторы			Уровень заряда
Горит	Выкл.	Мигает	
■ ■ ■ ■			от 75 до 100%
■ ■ ■ □			от 50 до 75%
■ ■ □ □			от 25 до 50%
■ □ □ □			от 0 до 25%
▣ □ □ □			Зарядите аккумуляторную батарею.
■ ■ □ □	↑ ↓	□ □	Возможно, аккумуляторная батарея неисправна.
□ □ ■ ■			

ПРИМЕЧАНИЕ: В зависимости от условий эксплуатации и температуры окружающего воздуха индикация может незначительно отличаться от фактического значения.

ПРИМЕЧАНИЕ: Первая (дальняя левая) индикаторная лампа будет мигать во время работы защитной системы аккумулятора.

Система защиты инструмента/аккумулятора

На инструменте предусмотрена система защиты инструмента/аккумулятора. Она автоматически отключает питание двигателя для продления срока службы инструмента и аккумулятора. Инструмент автоматически остановится во время работы при возникновении указанных ниже ситуаций. В некоторых ситуациях загораются индикаторы.

Защита от перегрузки

Если при текущем режиме эксплуатации инструмент/аккумулятор будет потреблять слишком большое количество тока, произойдет автоматический останов. В этом случае выключите инструмент и остановите работу, из-за которой произошла перегрузка инструмента. Затем включите инструмент для перезапуска.

Защита от перегрева

При перегреве инструмента/аккумулятора инструмент автоматически останавливается, а лампа начинает мигать. В таком случае дайте инструменту остыть перед повторным включением.

Защита от переразрядки

При истощении заряда аккумулятора инструмент автоматически останавливается, а индикаторная лампа блока аккумулятора начинает мигать. Если устройство не работает даже после нажатия переключателей, снимите аккумуляторы с инструмента и зарядите их.

Защита от других неполадок

Система защиты также рассчитана на другие неполадки, способные вывести инструмент из строя, и обеспечивает автоматический останов инструмента. В случае временной остановки или прекращения работы инструмента выполните все перечисленные ниже действия для устранения причин остановки.

1. Выключите и снова включите инструмент для его перезапуска.
2. Зарядите аккумулятор(-ы) или замените его/их на заряженный(-е).
3. Дайте устройству и аккумулятору(-ам) возможность остыть.

Если после восстановления системы защиты ситуация не изменится, обратитесь в сервисный центр Makita.

ПРИМЕЧАНИЕ: Если инструмент останавливается по причине, не описанной выше, см. раздел, касающийся поиска и устранения неисправностей.

Предупреждение о перегрузке

Если инструмент работает с чрезмерной нагрузкой, индикатор перегрузки загорится красным. В такой ситуации нужно снизить нагрузку на инструмент.

После этого индикатор прекратит мигать.

► **Рис.4:** 1. Индикатор перегрузки

Действие выключателя

⚠ОСТОРОЖНО: Перед установкой аккумуляторного блока в инструмент обязательно убедитесь, что его триггерный переключатель нормально работает и возвращается в положение "OFF" (ВЫКЛ) при отпускиании.

⚠ОСТОРОЖНО: ЗАПРЕЩЕНО нарушать работу кнопки разблокировки, заклеивая ее скотчем или другими способами. Выключатель с неработающей кнопкой разблокировки может стать причиной случайного включения и причинения тяжелой травмы.

⚠ОСТОРОЖНО: ЗАПРЕЩЕНО использовать инструмент, если он работает при простом нажатии на триггерный переключатель без нажатия кнопки разблокировки. Требующий ремонта переключатель может случайно привести к включению инструмента, что может привести к тяжелой травме. Верните инструмент в сервисный центр Makita для надлежащего ремонта ДО продолжения его эксплуатации.

Для предотвращения случайного нажатия триггерного переключателя предусмотрена кнопка разблокировки. Для запуска инструмента отпустите кнопку блокировки, затем потяните триггерный переключатель. Отпустите триггерный переключатель для остановки.

► **Рис.5:** 1. Триггерный переключатель 2. Кнопка разблокировки

ПРИМЕЧАНИЕ: Не нажимайте сильно на триггерный переключатель без нажатия на кнопку разблокировки. Это может привести к поломке переключателя.

Включение лампы

⚠ВНИМАНИЕ: Не смотрите непосредственно на свет или источник света.

Чтобы включить лампу, нажмите кнопку лампы. Для выключения нажмите кнопку лампы еще раз.

► **Рис.6:** 1. Кнопка лампы 2. Лампа

ПРИМЕЧАНИЕ: Лампа автоматически выключится, если в течение одной минуты не будет выполнено никаких действий с инструментом.

Регулировка кожуха диска

Удерживая рукоятку кожуха диска, отрегулируйте положение диска в соответствии со своей задачей.

► **Рис.7:** 1. Рукоятка кожуха диска

Функция распознавания активной обратной связи

С помощью электронного устройства инструмент выявляет ситуации, при которых существует опасность защемления диска. При выявлении такой ситуации инструмент автоматически отключается для предотвращения дальнейшего вращения шпинделя (это не предотвращает отдачу).

Чтобы перезапустить инструмент, сначала отключите его. Устраните причину внезапного снижения скорости вращения и вновь включите инструмент.

Электрический тормоз

Электрический тормоз активируется после выключения инструмента.

Тормоз не активируется, если питание отключено (например при извлеченном аккумуляторе), а переключатель находится в положении Вкл.

СБОРКА

ВНИМАНИЕ: Перед проведением каких-либо работ с инструментом обязательно убедитесь, что инструмент отключен, а блок аккумулятора снят.

Установка или снятие алмазного диска

ВНИМАНИЕ: Для установки или снятия диска используйте только ключ Makita.

ВНИМАНИЕ: При установке диска надежно затяните болт.

ВНИМАНИЕ: Не нажимайте кнопку фиксатора вала во время вращения диска.

Для снятия диска нажмите кнопку фиксатора вала и поворачивайте диск до тех пор, пока он не перестанет вращаться. Когда фиксатор вала полностью заблокирован, поверните болт с шестигранной головкой против часовой стрелки накидным ключом. Затем выверните болт с шестигранной головкой и снимите фланец, диск, кольцо и другой фланец в указанном порядке.

► **Рис.8:** 1. Кнопка фиксатора вала 2. Накидной ключ 3. Затянуть 4. Ослабить

► **Рис.9:** 1. Болт с шестигранной головкой 2. Фланец 3. Кольцо 4. Алмазный диск 5. Стрелка (направление вращения диска)

Для установки диска выполните операции по снятию в обратном порядке.

НАДЕЖНО ЗАТЯНИТЕ БОЛТ С ШЕСТИГРАННОЙ ГОЛОВКОЙ.

ВНИМАНИЕ: Диск необходимо устанавливать таким образом, чтобы стрелка на нем указывала в том же направлении, что и стрелка на кожухе диска. При несоблюдении этого требования диск будет вращаться в противоположном направлении, что может стать причиной травмы.

ВНИМАНИЕ: Используйте только диски, на маркировке которых указано, что рабочая частота узла равна или выше рабочей частоте, указанной на маркировке инструмента.

ПРИМЕЧАНИЕ: При установке диска следует крепить фланцы таким образом, чтобы плоская сторона фланца была направлена к диску, а также использовать кольцо, соответствующее внутреннему диаметру диска.

► **Рис.10:** 1. Болт с шестигранной головкой 2. Фланец 3. Кольцо 4. Алмазный диск

Подключение пылесоса

ПРИМЕЧАНИЕ: Обязательно надевайте заглушку, если не подключаете пылесос.

При необходимости выполнения чистого резания подключите к инструменту пылесос Makita.

Снимите заглушку и подсоедините шланг пылесоса.

► **Рис.11:** 1. Заглушка 2. Пылесборный патрубок 3. Шланг 4. Пылесос

Угол установки пылесборного патрубка может быть изменен, как показано на рисунке.

► **Рис.12**

Хомут для шланга

ПРИМЕЧАНИЕ: Обязательно снимайте хомут для шланга с инструмента, когда он не используется.

ПРИМЕЧАНИЕ: Не ослабляйте хомут для шланга и не затягивайте его слишком сильно. В противном случае хомут для шланга может сломаться.

С целью облегчения работы со шлангом пылесоса может крепиться хомут для шланга

1. Закрепите на шланге хомут для шланга А или хомут для шланга В.

Тип	Подходящий внешний диаметр шланга
Хомут для шланга А	ø 40 мм - ø 46 мм (ø 1-9/16 дюйм - ø 1-13/16 дюйм)
Хомут для шланга В	ø 35 мм - ø 40 мм (ø 1-3/8 дюйм - ø 1-9/16 дюйм)

► **Рис.13:** 1. Хомут для шланга А / Хомут для шланга В 2. Шланг

2. Вставьте штифты хомута для шланга в отверстия держателя хомута.

Убедитесь в том, что два штифта вставлены в отверстия.

► **Рис.14:** 1. Штифт 2. Отверстие 3. Держатель хомута

3. Чтобы снять хомут для шланга, выполните процедуру его установки в обратном порядке.

Хранение накидного ключа

Храните неиспользуемый накидной ключ, как показано на рисунке, чтобы не потерять его.

► **Рис.15:** 1. Накидной ключ

ЭКСПЛУАТАЦИЯ

Проверка функционирования нижнего защитного кожуха

Снимите блок аккумулятора.

Выдвиньте нижний защитный кожух вручную до конца и извлеките его. Нижний защитный кожух функционирует надлежащим образом, если:

- беспрепятственно выдвигается и
- автоматически возвращается в исходное положение.

► **Рис.16:** 1. Нижний защитный кожух

Если нижний защитный кожух не функционирует надлежащим образом, проверьте, не скопилась ли пыль внутри кожуха диска.

Некоторое количество пыли можно удалить путем выдвигения нижнего защитного кожуха и его возвращения на место несколько раз.

Если нижний защитный кожух не работает правильно даже после удаления пыли, отнесите устройство в сервисный центр Makita для обслуживания.

Информация о постороннем шуме

ПРИМЕЧАНИЕ: Не используйте искривленный или старый алмазный диск. Несоблюдение этого требования может привести к возникновению неисправностей, постороннего шума или поломок.

Даже если алмазный диск является новым и не имеет искривлений, он может издавать посторонний шум, в частности от трения о металл при работе инструмента на низкой скорости. Это не является неисправностью инструмента.

Некоторые типы алмазных дисков могут издавать посторонний шум при работе инструмента на низкой скорости. Это происходит потому, что алмазный диск и кожух диска располагаются очень близко, эффективно способствуя накоплению пыли.

Работайте с инструментом на максимальной скорости и выполняйте резку надлежащим образом. Посторонний шум будет устранен.

Резка

ВНИМАНИЕ: Во время работы надежно удерживайте деталь на устойчивом верстаке или столе.

ВНИМАНИЕ: Не поворачивайте и не вдавливайте инструмент в распил, т. к. это может привести к перегрузке электродвигателя или разлому детали.

ВНИМАНИЕ: Во время работы не поднимайте инструмент выше уровня плеч.

► **Рис.17**

1. Держите инструмент крепко. Правой рукой удерживайте рукоятку, а левой – переднюю ручку. Во избежание поражения электрическим током при случайном разрезании электрического кабеля обязательно держите переднюю ручку за обозначенный участок, как показано на рисунке.

► **Рис.18:** 1. Деталь, за которую следует держать инструмент

2. Включите инструмент, не прикасаясь к чему-либо алмазным диском, и дождитесь набора максимальной скорости алмазного диска.

3. Осторожно вставьте алмазный диск прямо в обрабатываемую деталь и плавно двигайте инструмент назад до окончания резки.

- Сохраняйте линию разреза прямой, а скорость скольжения – равномерной.
- Двигайте инструмент в направлении стрелки на нижнем защитном кожухе.

В случае перемещения инструмента вперед (если двигать его в направлении, противоположном указанному стрелкой), то эффективность накопления пыли существенно возрастает.

► **Рис.19:** 1. Стрелка

- Нижний защитный кожух должен накладываться на обрабатываемую деталь. При наличии зазора между нижним защитным кожухом и обрабатываемой деталью пыль будет рассеиваться, а эффективность ее накопления снизится.

► **Рис.20:** 1. Нижний защитный кожух

ПРИМЕЧАНИЕ: При низкой температуре блока аккумуляторов инструмент может работать не в полную мощность. В это время инструмент рекомендуется использовать для резания в легких режимах, пока блок аккумуляторов не нагреется до комнатной температуры. Затем инструмент может работать в полную мощность.

ПРИМЕЧАНИЕ: Если режущая способность алмазного диска начинает уменьшаться, то проведите его правку с помощью старого крупнозернистого шлифовального круга настольного точильного станка или бетонного блока. Выполняйте правку, слегка прижимая внешнюю кромку алмазного диска.

ФУНКЦИЯ БЕСПРОВОДНОЙ АКТИВАЦИИ

Дополнительная принадлежность

ПРИМЕЧАНИЕ: Перед использованием этой функции установите дополнительный пылесос-щитный кожух и принадлежность.

Что позволяет делать функция беспроводной активации

Функция беспроводной активации обеспечивает беспрепятственную и удобную работу. Подключив к инструменту поддерживаемый пылесос, можно его автоматически запускать, используя переключатель инструмента.

► **Рис.21**

Чтобы использовать функцию беспроводной активации, подготовьте следующие компоненты:

- Беспроводной блок (Дополнительные принадлежности)
- Пылесос, который поддерживает функцию беспроводной активации

Обзор настройки функции беспроводной активации выглядит следующим образом. Подробные процедуры см. в каждом разделе.

1. Установка беспроводного блока
2. Регистрация инструмента для пылесоса
3. Запуск функции беспроводной активации

Установка беспроводного блока

Дополнительные принадлежности

ВНИМАНИЕ: При установке беспроводного блока поместите инструмент на ровную и устойчивую поверхность.

ПРИМЕЧАНИЕ: Перед началом установки беспроводного блока очистите пыль и грязь на инструменте. Если пыль или грязь попадет в гнездо беспроводного блока, это может привести к неисправности.

ПРИМЕЧАНИЕ: Во избежание сбоев, вызванных статическим электричеством, прежде чем поднимать беспроводной блок, прикоснитесь к материалу, позволяющему снять статический разряд, например, к металлической части инструмента.

ПРИМЕЧАНИЕ: При установке беспроводного блока всегда следите за тем, чтобы беспроводной блок был вставлен в правильном направлении, и крышка была полностью закрыта.

1. Откройте крышку на инструменте, как показано на рисунке.

► **Рис.22:** 1. Крышка

2. Вставьте беспроводной блок в гнездо и закройте крышку.

При вставке беспроводного блока выровняйте выступы с углубленными участками в гнезде.

► **Рис.23:** 1. Беспроводной блок 2. Защита 3. Крышка 4. Углубленный участок

При извлечении беспроводного блока медленно откройте крышку. Если потянуть крышку, то крючки на обратной стороне крышки поднимут беспроводной блок.

► **Рис.24:** 1. Беспроводной блок 2. Крючок 3. Крышка

После извлечения беспроводного блока поместите его в поставляемый футляр или в контейнер без статического электричества.

ПРИМЕЧАНИЕ: Для снятия беспроводного блока обязательно используйте крючки на обратной стороне крышки. Если крючки не захватывают беспроводной блок, полностью закройте крышку и снова медленно откройте ее.

Регистрация инструмента для пылесоса

ПРИМЕЧАНИЕ: Для регистрации инструмента необходим пылесос Makita, поддерживающий функцию беспроводной активации.

ПРИМЕЧАНИЕ: Перед началом регистрации инструмента завершите установку беспроводного блока в инструмент.

ПРИМЕЧАНИЕ: Во время регистрации инструмента не тяните за триггерный переключатель и не включайте выключатель питания на пылесосе.

ПРИМЕЧАНИЕ: См. также руководство по эксплуатации пылесоса.

Если необходимо активировать пылесос одновременно с переключением инструмента, сначала завершите регистрацию инструмента.

1. Установите аккумулятор в пылесос и инструмент.

2. Установите выключатель режима ожидания на пылесосе в положение «AUTO» (автоматический).

► **Рис.25:** 1. Выключатель режима ожидания

3. Нажмите и удерживайте кнопку беспроводной активации на пылесосе в течение 3 секунд, пока лампа беспроводной активации не замигает зеленым цветом. Затем таким же образом нажмите кнопку беспроводной активации на инструменте.

► **Рис.26:** 1. Кнопка беспроводной активации 2. Лампа беспроводной активации

Если пылесос и инструмент надежно соединены друг с другом, то лампы беспроводной активации будут гореть зеленым светом в течение 2 секунд, затем начнут мигать синим цветом.

ПРИМЕЧАНИЕ: Через 20 секунд лампы беспроводной активации связи закончат мигать зеленым цветом. Если на пылесосе мигает лампа беспроводной активации, нажмите кнопку беспроводной активации на инструменте. Если лампа беспроводной активации не мигает зеленым цветом, нажмите кнопку беспроводной активации на короткое время, а затем снова удерживайте ее.

ПРИМЕЧАНИЕ: При выполнении двух или более регистраций инструмента для одного пылесоса завершите регистрацию инструмента одну за другой.

Запуск функции беспроводной активации

ПРИМЕЧАНИЕ: Перед беспроводной активацией завершите регистрацию инструмента для пылесоса.

ПРИМЕЧАНИЕ: См. также руководство по эксплуатации пылесоса.

После регистрации инструмента для пылесоса можно использовать переключатель инструмента для автоматического запуска пылесоса.

1. Установите беспроводной блок в инструмент.

2. Подсоедините шланг пылесоса к инструменту.

► **Рис.27**

3. Установите выключатель режима ожидания на пылесосе в положение «АУТО» (автоматический).

► **Рис.28:** 1. Выключатель режима ожидания

4. На короткое время нажмите кнопку беспроводной активации на инструменте. Лампа беспроводной активации мигает синим цветом.

► **Рис.29:** 1. Кнопка беспроводной активации
2. Лампа беспроводной активации

5. Включите инструмент. Проверьте, работает ли пылесос во время работы инструмента.

Чтобы остановить беспроводную активацию пылесоса, нажмите кнопку беспроводной активации на инструменте.

ПРИМЕЧАНИЕ: Если в течение 2 часов не будет выполняться никаких действий, то лампа беспроводной активации на инструменте перестанет мигать синим цветом. В этом случае установите выключатель режима ожидания на пылесосе в положение «АУТО» и снова нажмите кнопку беспроводной активации на инструменте.

ПРИМЕЧАНИЕ: Пылесос запускается/останавливается с задержкой. Когда пылесос обнаруживает переключение выключателя инструмента, возникает временная задержка.

ПРИМЕЧАНИЕ: Дальность передачи беспроводного блока может варьироваться в зависимости от местоположения и окружающих предметов.

ПРИМЕЧАНИЕ: Если за одним пылесосом закреплено два или несколько инструментов, то пылесос может начать работать, даже если вы не включаете свой инструмент, поскольку другой пользователь использует функцию беспроводной активации.

Описание статуса лампы беспроводной активации

► **Рис.30:** 1. Лампа беспроводной активации

Лампа беспроводной активации отображает состояние функции беспроводной активации. Значения состояния лампы см. в таблице ниже.

Состояние	Лампа беспроводной активации				Описание
	Цвет	 Вкл	 Мигает	Продолжительность	
Ожидание	Синий			2 часа	Доступна беспроводная активация пылесоса. Если в течение 2 часов не будет выполняться никаких операций, лампа автоматически выключится.
				Пока инструмент работает.	Доступна беспроводная активация пылесоса, инструмент работает.
Регистрация инструмента	Зеленая			20 секунд	Готовность к регистрации инструмента. Ожидание регистрации пылесосом.
				2 секунды	Регистрация инструмента завершена. Лампа беспроводной активации начнет мигать синим цветом.
Отмена регистрации инструмента	Красная			20 секунд	Готовность к отмене регистрации инструмента. Ожидание отмены пылесосом.
				2 секунды	Отмена регистрации инструмента завершена. Лампа беспроводной активации начнет мигать синим цветом.
Прочие	Красная			3 секунд	На беспроводной блок подается питание, и запускается функция беспроводной активации.
		Выкл	-	-	Беспроводная активация пылесоса прекращается.

Отмена регистрации инструмента для пылесоса

При отмене регистрации инструмента для пылесоса выполните следующую процедуру.

1. Установите аккумулятор в пылесос и инструмент.

2. Установите выключатель режима ожидания на пылесосе в положение «АУТО» (автоматический).

► **Рис.31:** 1. Выключатель режима ожидания

3. Нажмите и удерживайте кнопку беспроводной активации на пылесосе в течение 6 секунд. Лампа беспроводной активации мигает зеленым, а затем переключается на красный цвет. После этого нажмите кнопку беспроводной активации на инструменте таким же образом.

► **Рис.32:** 1. Кнопка беспроводной активации
2. Лампа беспроводной активации

Если отмена выполнена успешно, лампы беспроводной активации загорятся красным цветом на 2 секунды и начнут мигать синим цветом.

ПРИМЕЧАНИЕ: По истечении 20 секунд лампы беспроводной активации прекращают мигать красным цветом. Если на пылесосе мигает лампа беспроводной активации, нажмите кнопку беспроводной активации на инструменте. Если лампа беспроводной активации не мигает красным цветом, нажмите кнопку беспроводной активации на короткое время, а затем снова удерживайте ее.

Поиск и устранение неисправностей для функции беспроводной активации

Прежде чем обращаться по поводу ремонта, проведите осмотр самостоятельно. Если обнаружена неисправность, не указанная в руководстве, не пытайтесь разобрать инструмент. Обратитесь в один из авторизованных сервисных центров Makita, в которых для ремонта всегда используются оригинальные детали Makita.

Состояние неисправности	Возможная причина (неисправности)	Способ устранения
Лампа беспроводной активации не горит/мигает.	Беспроводной блок не установлен в инструмент. Беспроводной блок неправильно установлен в инструмент.	Правильно установите беспроводной блок.
	Грязь на клемме беспроводного блока и/или гнезда.	Аккуратно вытрите пыль и грязь на клемме беспроводного блока и очистите гнездо.
	Не нажата кнопка беспроводной активации на инструменте.	На короткое время нажмите кнопку беспроводной активации на инструменте.
	Выключатель режима ожидания на пылесосе не установлен в положение «AUTO» (автоматический).	Установите выключатель режима ожидания на пылесосе в положение «AUTO» (автоматический).
	Отсутствует электропитание	Подайте питание на инструмент и пылесос.
Не удается успешно завершить регистрацию/отмену регистрации инструмента.	Беспроводной блок не установлен в инструмент. Беспроводной блок неправильно установлен в инструмент.	Правильно установите беспроводной блок.
	Грязь на клемме беспроводного блока и/или гнезда.	Аккуратно вытрите пыль и грязь на клемме беспроводного блока и очистите гнездо.
	Выключатель режима ожидания на пылесосе не установлен в положение «AUTO» (автоматический).	Установите выключатель режима ожидания на пылесосе в положение «AUTO» (автоматический).
	Отсутствует электропитание	Подайте питание на инструмент и пылесос.
	Неверная операция	На короткое время нажмите кнопку беспроводной активации и снова выполните процедуру регистрации/отмены.
	Большое расстояние между инструментом и пылесосом (вне диапазона передачи).	Расположите инструмент и пылесос ближе друг к другу. Максимальное расстояние передачи составляет приблизительно 10 м, однако оно может изменяться в зависимости от обстоятельств.
	Перед завершением регистрации инструмента/отменой; - выключатель инструмента переведен в положение «On» (Вкл.); или - кнопка питания на пылесосе переведена в положение «On» (Вкл.).	На короткое время нажмите кнопку беспроводной активации и снова выполните процедуру регистрации/отмены.
	Процедура регистрации инструмента для инструмента или пылесоса не завершена.	Одновременно выполните процедуры регистрации инструмента для инструмента и для пылесоса.
Радиопомехи от других приборов, которые генерируют радиоволны высокой интенсивности.	Избегайте эксплуатации инструмента и пылесоса рядом с такими приборами, как устройства Wi-Fi и микроволновые печи.	

Состояние неисправности	Возможная причина (неисправности)	Способ устранения
Пылесос не работает при использовании переключателя инструмента.	Беспроводной блок не установлен в инструмент. Беспроводной блок неправильно установлен в инструмент.	Правильно установите беспроводной блок.
	Грязь на клемме беспроводного блока и/или гнезда.	Аккуратно вытрите пыль и грязь на клемме беспроводного блока и очистите гнездо.
	Не нажата кнопка беспроводной активации на инструменте.	На короткое время нажмите кнопку беспроводной активации и убедитесь в том, что лампа беспроводной активации мигает синим цветом.
	Выключатель режима ожидания на пылесосе не установлен в положение «АUTO» (автоматический).	Установите выключатель режима ожидания на пылесосе в положение «АUTO» (автоматический).
	В пылесосе зарегистрировано более 10 инструментов.	Выполните повторную регистрацию инструмента. Если в пылесосе зарегистрировано более 10 инструментов, инструмент, зарегистрированный самым первым, будет автоматически отменен.
	Пылесос удалил все записи регистрации инструментов.	Выполните повторную регистрацию инструмента.
	Отсутствует электропитание	Подайте питание на инструмент и пылесос.
	Большое расстояние между инструментом и пылесосом (вне диапазона передачи).	Расположите инструмент и пылесос ближе друг к другу. Максимальное расстояние передачи составляет приблизительно 10 м, однако оно может изменяться в зависимости от обстоятельств.
Пылесос работает в то время, когда инструмент не работает.	Радиопомехи от других приборов, которые генерируют радиоволны высокой интенсивности.	Избегайте эксплуатации инструмента и пылесоса рядом с такими приборами, как устройства Wi-Fi и микроволновые печи.
	Другие пользователи используют беспроводную активацию пылесоса с помощью своих инструментов.	Отключите кнопку беспроводной активации других инструментов или отмените регистрацию инструмента для других инструментов.

ОБСЛУЖИВАНИЕ

ВНИМАНИЕ: Перед проведением проверки или работ по техобслуживанию всегда проверяйте, что инструмент выключен, а блок аккумуляторов снят.

ПРИМЕЧАНИЕ: Запрещается использовать бензин, растворители, спирт и другие подобные жидкости. Это может привести к обесцвечиванию, деформации и трещинам.

Для обеспечения БЕЗОПАСНОСТИ и НАДЕЖНОСТИ оборудования ремонт, любое другое техобслуживание или регулировку необходимо производить в уполномоченных сервис-центрах Makita или сервис-центрах предприятия с использованием только сменных частей производства Makita.

Очистка инструмента

ПРИМЕЧАНИЕ: Не мойте инструмент водой.

После каждого использования извлекайте блоки аккумуляторов и диск, после чего удалите пыль или грязь, скопившуюся внутри кожуха диска. При очистке корпуса инструмента необходимо вытирать грязь или пыль сухой либо смоченной мыльной водой и отжатой тряпкой. Для удаления пыли с рассеивателя лампы используйте сухую тряпку. Не допускайте возникновения царапин на рассеивателе лампы, так как это может привести к снижению освещенности.

► **Рис.33:** 1. Кожух диска 2. Линза лампы

Очистка воздушного фильтра

Выполняйте очистку вентиляционных отверстий инструмента регулярно или в случае засорения.

► **Рис.34:** 1. Вентиляционное отверстие

Замена синхронного ремня

1. Снимите блоки аккумуляторов и диск.
2. Ослабьте болты с внутренним шестигранником, используя наконечник накидного ключа, а затем снимите крышку.
► **Рис.35:** 1. Накидной ключ 2. Болт с внутренним шестигранником 3. Крышка
3. Нажмите кнопку фиксатора вала и удерживайте ее для фиксации большого шкива, а затем поверните гайку против часовой стрелки тонким концом накидного ключа.
► **Рис.36:** 1. Большой шкив 2. Кнопка фиксатора вала
4. Нажмите кнопку фиксатора вала и удерживайте ее для фиксации большого шкива, а затем поверните маленький диск против часовой стрелки толстым концом накидного ключа, чтобы ослабить синхронный ремень.
► **Рис.37:** 1. Кнопка фиксатора вала 2. Большой шкив 3. Маленький диск
5. Снимите ремень.
6. Держа ремень таким образом, чтобы его канавки были направлены внутрь, закрепите один конец ремня на маленьком шкиве, а затем закрепите другой конец ремня на большом шкиве.
► **Рис.38:** 1. Ремень 2. Большой шкив 3. Маленький шкив
7. Нажмите кнопку фиксатора вала и удерживайте ее для фиксации большого шкива, а затем поверните маленький диск по часовой стрелке толстым концом накидного ключа, чтобы натянуть ремень.
► **Рис.39:** 1. Кнопка фиксатора вала 2. Большой шкив

ПРИМЕЧАНИЕ: Убедитесь в том, что маленький диск находится в положении, показанном на рисунке.

► **Рис.40:** 1. Маленький диск

8. Нажмите кнопку фиксатора вала и удерживайте ее для фиксации большого шкива, а затем поверните гайку по часовой стрелке тонким концом накидного ключа.
► **Рис.41:** 1. Кнопка фиксатора вала

ПРИМЕЧАНИЕ: При затягивании гайки крутящий момент затяжки должен составлять 19 - 21 Н•м.

9. Установите крышку, а затем затяните болты с внутренним шестигранником, используя наконечник накидного ключа.
► **Рис.42:** 1. Накидной ключ 2. Болт с внутренним шестигранником 3. Крышка

ПОИСК И УСТРАНЕНИЕ НЕИСПРАВНОСТЕЙ

Прежде чем обращаться по поводу ремонта, проведите осмотр самостоятельно. Если обнаружена неисправность, не указанная в руководстве, не пытайтесь разобрать инструмент. Обратитесь в один из авторизованных сервисных центров Makita, в которых для ремонта всегда используются оригинальные детали Makita.

Состояние неисправности	Возможная причина (неисправности)	Способ устранения
Не работает электромотор.	Блоки аккумуляторов не установлены.	Установите два блока аккумулятора. Этот инструмент не будет работать с одним блоком аккумулятора.
	Неисправен аккумулятор (под напряжением)	Зарядите аккумулятор. Если перезарядка не помогает, замените блок аккумулятора.
	Привод работает неправильно.	Обратитесь в местный авторизованный центр для ремонта.
После непродолжительного использования двигатель останавливается.	Низкий уровень заряда аккумулятора.	Зарядите аккумулятор. Если перезарядка не помогает, замените блок аккумулятора.
	Перегрев.	Прекратите работу и дайте инструменту остыть.
Частота вращения диска не увеличивается должным образом даже после работы инструмента без нагрузки в течение 20 секунд.	Неправильно установлен аккумулятор.	Вставьте блоки аккумуляторов, как описано в этом руководстве.
	Заряд аккумулятора падает.	Подзарядите блоки аккумуляторов. Если подзарядка не помогает, замените блок аккумулятора.
	Синхронный ремень проскальзывает.	Замените синхронный ремень новым.
	Привод работает неправильно.	Обратитесь в местный авторизованный центр для ремонта.
Диск не вращается: ⇒ Немедленно остановите устройство!	Синхронный ремень проскальзывает.	Замените синхронный ремень новым.
	Между кожухом диска и диском застрял посторонний предмет.	Снимите блоки аккумуляторов и удалите посторонний предмет.
	Привод работает неправильно.	Обратитесь в местный авторизованный центр для ремонта.
Сильная вибрация: ⇒ Немедленно остановите устройство!	Неправильное крепление диска.	Установите колесо в соответствии с инструкциями в этом руководстве. Затяните болт, чтобы надежно зафиксировать диск.
	Привод работает неправильно.	Обратитесь в местный авторизованный центр для ремонта.
Режущий узел и двигатель не останавливаются: ⇒ Немедленно извлеките блок аккумулятора!	Электрическая или электронная неисправность.	Извлеките блоки аккумуляторов и обратитесь в местный авторизованный сервисный центр для ремонта.
Низкая эффективность резания	Пришло время заменить диск.	Замените диск новым.
Недостаточная сила всасывания пылесоса.	Фильтр пылесоса засорен.	Очистите фильтр. Если очистка фильтра не решает проблему, замените фильтр.
Нижний защитный кожух не функционирует надлежащим образом, если:	Внутри кожуха диска скопилась пыль.	Выдвиньте нижний защитный кожух и возвратите его на место несколько раз.

ДОПОЛНИТЕЛЬНЫЕ ПРИНАДЛЕЖНОСТИ

ВНИМАНИЕ: Данные принадлежности или приспособления рекомендуются для использования с инструментом Makita, указанным в настоящем руководстве. Использование других принадлежностей или приспособлений может привести к получению травмы. Используйте принадлежность или приспособление только по указанному назначению.

Если вам необходимо содействие в получении дополнительной информации по этим принадлежностям, свяжитесь с вашим сервис-центром Makita.

- Алмазный диск
- Набор колец
- Синхронный ремень
- Накладной ключ
- Беспроводной блок
- Оригинальный аккумулятор и зарядное устройство Makita

ПРИМЕЧАНИЕ: Некоторые элементы списка могут входить в комплект инструмента в качестве стандартных приспособлений. Они могут отличаться в зависимости от страны.

Makita Europe N.V. Jan-Baptist Vinkstraat 2,
3070 Kortenberg, Belgium

Makita Corporation 3-11-8, Sumiyoshi-cho,
Anjo, Aichi 446-8502 Japan

www.makita.com

885A04-982
EN, SV, NO, FI, DA,
LV, LT, ET, RU
20230206