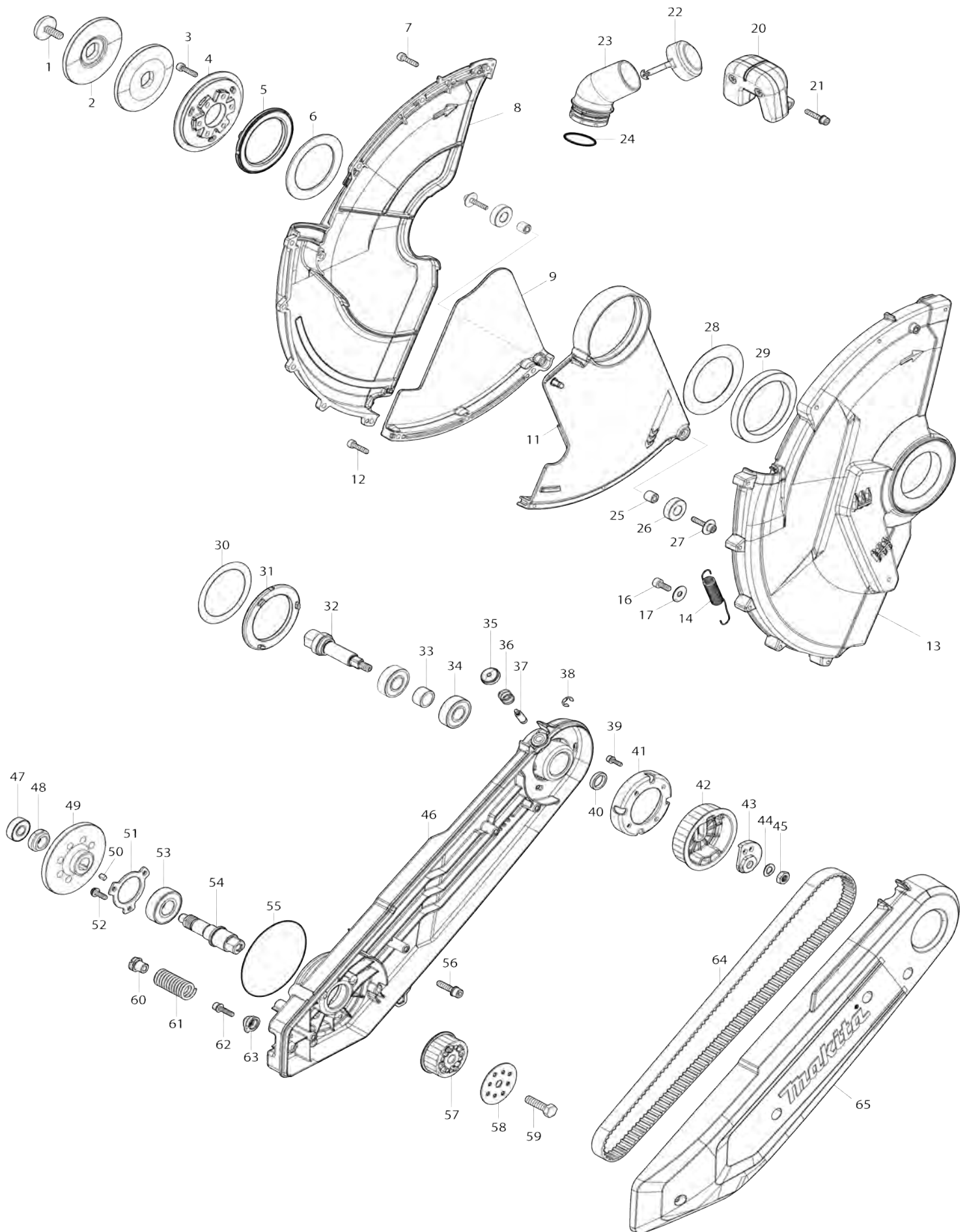
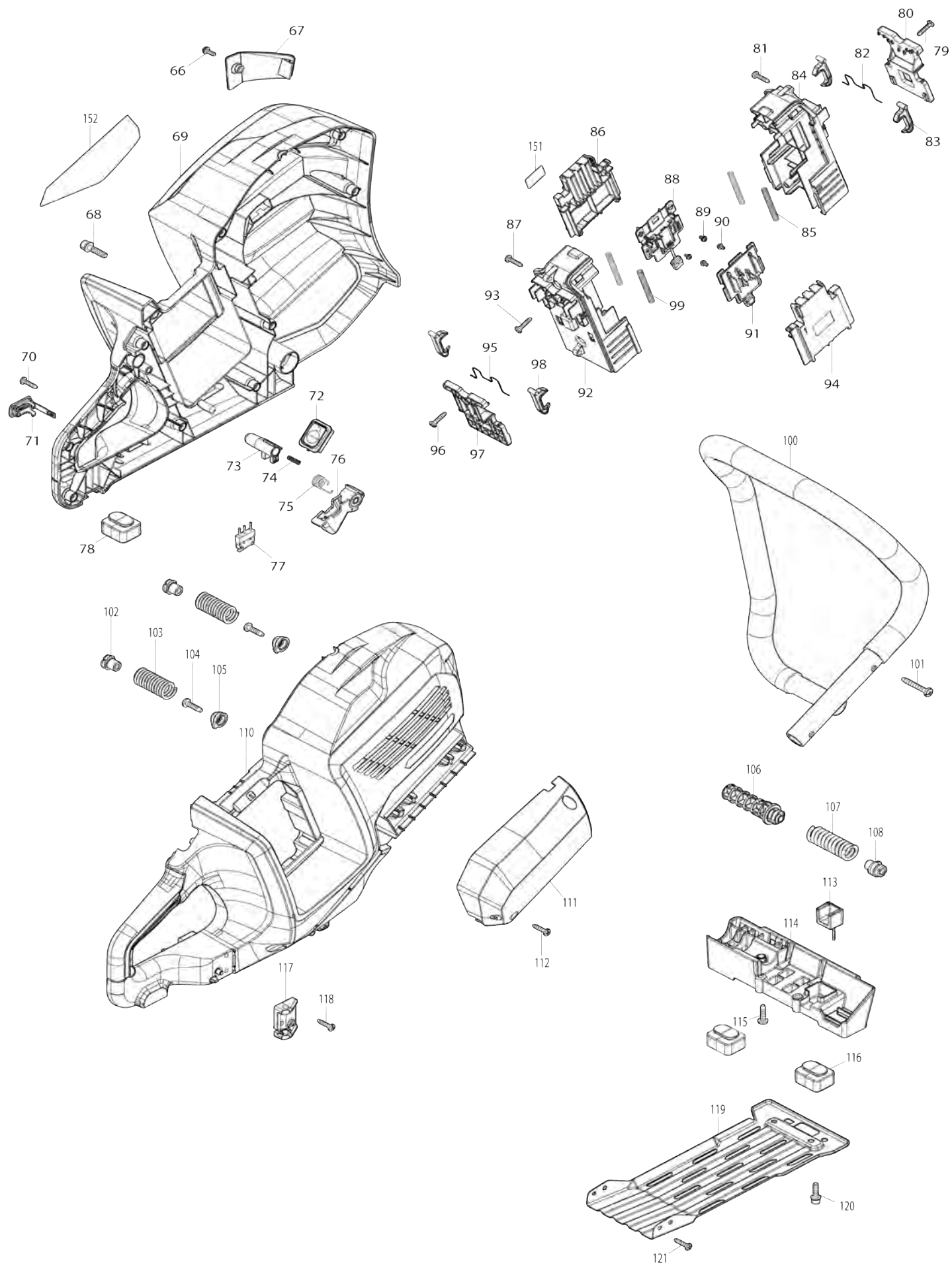


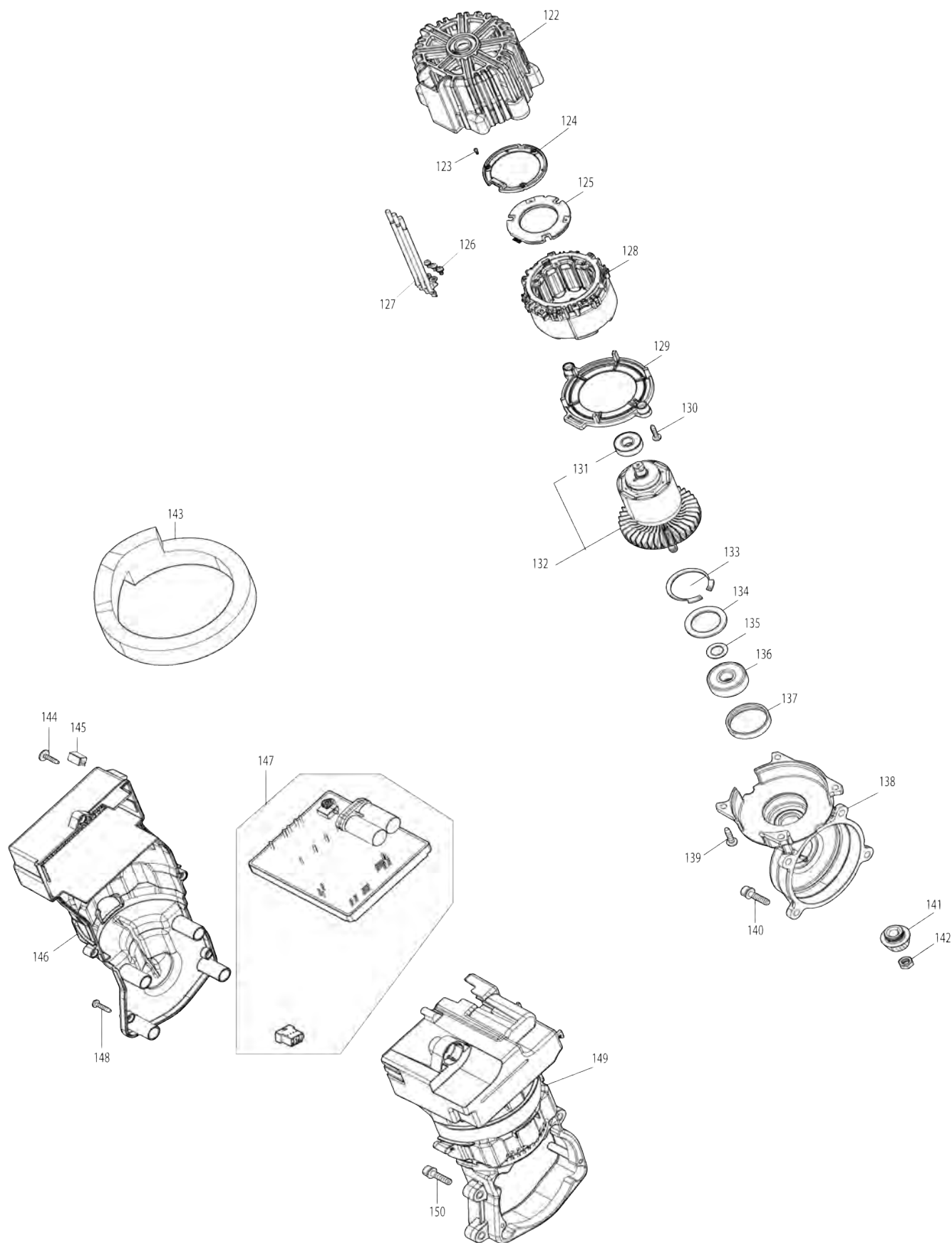
Model No.CE002G 355MM CORDLESS POWER CUTTER



Model No.CE002G 355MM CORDLESS POWER CUTTER



Model No.CE002G 355MM CORDLESS POWER CUTTER



Model No.CE002G 355MM CORDLESS POWER CUTTER

| Item No. | Parts No. | Description | Interchangability | Q'ty | New/Old | Note1 | Note2 |
|----------|-----------|-----------------------------|-------------------|------|---------|-------|-------|
| 001 | 266976-3 | HEX. BOLT M8X25 | | 1 | | | |
| 002 | 224632-1 | FLANGE 80 | | 2 | | | |
| 003 | 922232-8 | HEX. SOCKET HEAD BOLT M5X20 | | 6 | | | |
| 004 | 312D66-5 | BRACKET | | 1 | | | |
| 005 | 422822-2 | RUBBER RING 56 | | 1 | | | |
| 006 | 253574-2 | FLAT WASHER 56 | | 1 | | | |
| 007 | 922232-8 | HEX. SOCKET HEAD BOLT M5X20 | | 9 | | | |
| 008 | 137006-6 | WHEEL COVER L ASS'Y | | 1 | | | |
| C10 | 263002-9 | RUBBER PIN 4 | | 1 | | | |
| C20 | 8064C1-9 | CAUTION LABEL | | 1 | | | |
| 009 | 312D70-4 | LOWER GUARD L | | 1 | | | |
| 011 | 141N02-2 | LOWER GUARD R COMPLETE | | 1 | | | |
| 012 | 922232-8 | HEX. SOCKET HEAD BOLT M5X20 | | 3 | | | |
| 013 | 137005-8 | WHEEL COVER R ASS'Y | | 1 | | | |
| C10 | 263002-9 | RUBBER PIN 4 | | 1 | | | |
| 014 | 232798-3 | TENSION SPRING 11 | | 1 | | | |
| 016 | 922212-4 | HEX. SOCKET HEAD BOLT M5X12 | | 1 | | | |
| 017 | 253424-1 | FLAT WASHER 6 | | 1 | | | |
| 020 | 136853-2 | WHEEL COVER GRIP ASSEMBLY | | 1 | | | |
| C10 | 266326-2 | TAPPING SCREW 4X18 | | 2 | | | |
| 021 | 922243-3 | HEX. SOCKET HEAD BOLT M5X25 | | 2 | | | |
| 022 | 421362-7 | CAP | | 1 | | | |
| 023 | 416741-2 | ELBOW | | 1 | | | |
| 024 | 213888-1 | O-RING 30 | | 1 | | | |
| 025 | 257896-2 | SLEEVE 5.4 | | 2 | | | |
| 026 | 327B11-5 | ROLLER 25 | | 2 | | | |
| 027 | 265A89-3 | H.S.H.BOLT M5X25 WITH WR | | 2 | | | |
| 028 | 413P09-3 | BEARING COVER | | 1 | | | |
| 029 | 257A13-0 | RING 65 | | 1 | | | |
| 030 | 424792-1 | SLIDING DISK | | 1 | | | |
| 031 | 422822-2 | RUBBER RING 56 | | 1 | | | |
| 032 | 327B10-7 | SPINDLE | | 1 | | | |
| 033 | 257895-4 | SLEEVE 15 | | 1 | | | |
| 034 | 211238-4 | BALL BEARING 6202LLU | | 2 | | | |
| 035 | 451485-7 | PIN CAP | | 1 | | | |
| 036 | 233089-5 | COMPRESSION SPRING 12 | | 1 | | | |
| 037 | 256947-8 | SHOULDER PIN 7 | | 1 | | | |
| 038 | 961012-7 | STOP RING E-6 | | 1 | | | |
| 039 | 922123-3 | HEX. SOCKET HEAD BOLT M4X14 | | 2 | | | |
| 040 | 257868-7 | RING 15 | | 1 | | | |
| 041 | 347915-3 | PULLEY BOTTOM PLATE | | 1 | | | |
| 042 | 222201-2 | PULLEY 17-70.5 | | 1 | | | |
| 043 | 313415-5 | ECCENTRIC DISK | | 1 | | | |
| 044 | 267822-3 | SPRING WASHER 8 | | 1 | | | |
| 045 | 264053-5 | HEX. NUT M8X1 | | 1 | | | |
| 046 | 312D67-3 | CUTTING DEVICE | | 1 | | | |
| 047 | 211062-5 | BALL BEARING 6000ZZ | | 1 | | | |

| | | | | | | |
|-----|----------|----------------------------------|--|---|--|--|
| 048 | 252429-8 | NUT M15-23 | | 1 | | |
| 049 | 227922-1 | SPIRAL BEVEL GEAR 53 | | 1 | | |
| 050 | 254201-4 | KEY 4 | | 1 | | |
| 051 | 285049-3 | BEARING RETAINER 33-59 | | 1 | | |
| 052 | 265074-0 | PAN HEAD SCREW M5X16 | | 3 | | |
| 053 | 211278-2 | BALL BEARING 6203DDW | | 1 | | |
| 054 | 327B09-2 | GEAR SHAFT | | 1 | | |
| 055 | 213806-9 | O RING 90 | | 1 | | |
| 056 | 922343-9 | H.S.H.BOLT M6X25 WITH WR | | 1 | | |
| 057 | 222203-8 | PULLEY 17-45.0 | | 1 | | |
| 058 | 347A86-2 | PULLEY PLATE 50 | | 1 | | |
| 059 | 265D39-6 | HEX.BOLT M8X30 | | 1 | | |
| 060 | 312C34-2 | SPRING HOLDER B | | 1 | | |
| 061 | 232729-2 | COMPRESSION SPRING 13 | | 1 | | |
| 062 | 922233-6 | H.S.H.BOLT M5X20 WITH WR | | 1 | | |
| 063 | 312C33-4 | SPRING HOLDER A | | 1 | | |
| 064 | 225107-3 | SYNCHRO BELT 15-880 | | 1 | | |
| 065 | 141N00-6 | BELT COVER COMPLETE | | 1 | | |
| C10 | 265B09-3 | H.S. HEAD BOLT M5X30 WITH W R | | 4 | | |
| 066 | 911118-1 | PAN HEAD SCREW M4X12 | | 1 | | |
| 067 | 413C66-3 | LENS | | 1 | | |
| 068 | 922343-9 | H.S.H.BOLT M6X25 WITH WR | | 1 | | |
| 069 | 183Y26-8 | HANDLE SET | | 1 | | |
| C10 | 8040V4-6 | XGT LOGO LABEL | | 1 | | |
| D10 | | INC. 110 | | | | |
| 070 | 266326-2 | TAPPING SCREW 4X18 | | 9 | | |
| 071 | 140F99-0 | CAP COMPLETE | | 1 | | |
| C10 | 213A05-9 | O-RING16 | | 1 | | |
| 072 | 141G39-7 | SWITCH CIRCUIT COMPLETE | | 1 | | |
| 073 | 413C73-6 | LOCK OFF BUTTON | | 1 | | |
| 074 | 232444-8 | COMPRESSION SPRING 4 | | 1 | | |
| 075 | 232732-3 | TORSION SPRING 10 | | 1 | | |
| 076 | 413C72-8 | SWITCH LEVER | | 1 | | |
| 077 | 632T61-8 | SWITCH UNIT | | 1 | | |
| 078 | 422823-0 | REAR FOOT | | 1 | | |
| 079 | 266326-2 | TAPPING SCREW 4X18 | | 1 | | |
| 080 | 413C77-8 | LOCK COVER | | 1 | | |
| 081 | 266326-2 | TAPPING SCREW 4X18 | | 2 | | |
| 082 | 232731-5 | LEVER SPRING | | 1 | | |
| 083 | 413C76-0 | BATTERY ADAPTER LOCK | | 2 | | |
| 084 | 183U87-4 | TERMINAL BOX SET | | 1 | | |
| C10 | 263005-3 | RUBBER PIN 6 | | 4 | | |
| D10 | | INC. 92 | | | | |
| 085 | 232730-7 | COMPRESSION SPRING 5 | | 2 | | |
| 086 | 413C74-4 | BATTERY ADAPTER L | | 1 | | |
| 087 | 266326-2 | TAPPING SCREW 4X18 | | 2 | | |
| 088 | 632T08-2 | TERMINAL UNIT | | 1 | | |
| 089 | 652031-1 | PAN HEAD SCREW M3X6 | | 2 | | |
| 090 | 652031-1 | PAN HEAD SCREW M3X6 | | 2 | | |
| 091 | 632T08-2 | TERMINAL UNIT | | 1 | | |
| 092 | 183U87-4 | TERMINAL BOX SET | | 1 | | |

| | | | | | | |
|-------|----------|--------------------------|---|---|---|--|
| C10 | 263005-3 | RUBBER PIN 6 | | 4 | | |
| D10 | | INC. 84 | | | | |
| 093 | 266326-2 | TAPPING SCREW 4X18 | | 2 | | |
| 094 | 413C75-2 | BATTERY ADAPTER R | | 1 | | |
| 095 | 232731-5 | LEVER SPRING | | 1 | | |
| 096 | 266326-2 | TAPPING SCREW 4X18 | | 1 | | |
| 097 | 413C77-8 | LOCK COVER | | 1 | | |
| 098 | 413C76-0 | BATTERY ADAPTER LOCK | | 2 | | |
| 099 | 232730-7 | COMPRESSION SPRING 5 | | 2 | | |
| 100 | 327928-0 | FRONT GRIP 26 | | 1 | * | |
| 100-1 | 327C20-0 | FRONT GRIP 26 | < | 1 | | |
| 101 | 266373-3 | TAPPING SCREW 5X35 | | 2 | | |
| 102 | 312C34-2 | SPRING HOLDER B | | 2 | | |
| 103 | 232729-2 | COMPRESSION SPRING 13 | | 2 | | |
| 104 | 266021-4 | TAPPING SCREW 5X20 | | 2 | | |
| 105 | 312C33-4 | SPRING HOLDER A | | 2 | | |
| 106 | 413C71-0 | SPRING HOLDER D | | 1 | | |
| 107 | 232728-4 | COMPRESSION SPRING 12 | | 1 | | |
| 108 | 312C35-0 | SPRING HOLDER C | | 1 | | |
| 110 | 183Y26-8 | HANDLE SET | | 1 | | |
| C10 | 8040V4-6 | XGT LOGO LABEL | | 1 | | |
| D10 | | INC. 69 | | | | |
| 111 | 136926-1 | HOSE COVER ASS'Y | | 1 | | |
| C10 | 263005-3 | RUBBER PIN 6 | | 2 | | |
| 112 | 266326-2 | TAPPING SCREW 4X18 | | 2 | | |
| 113 | 424788-2 | DAMPER | | 1 | | |
| 114 | 312C32-6 | STAND SUPPORT | | 1 | | |
| 115 | 266021-4 | TAPPING SCREW 5X20 | | 2 | | |
| 116 | 422823-0 | REAR FOOT | | 2 | | |
| 117 | 413N25-3 | CLAMP BASE | | 1 | | |
| 118 | 266326-2 | TAPPING SCREW 4X18 | | 2 | | |
| 119 | 347916-1 | BOTTOM GUARD | | 1 | | |
| 120 | 922233-6 | H.S.H.BOLT M5X20 WITH WR | | 2 | | |
| 121 | 266326-2 | TAPPING SCREW 4X18 | | 2 | | |
| 122 | 413C70-2 | MOTOR HOUSING | | 1 | | |
| 123 | 266490-9 | TAPPING SCREW PT 2X6 | | 3 | | |
| 124 | 687B69-9 | STOPPER | | 1 | | |
| 125 | 620E26-2 | CONTROLLER B | | 1 | | |
| 126 | 652031-1 | PAN HEAD SCREW M3X6 | | 3 | | |
| 127 | 632T19-7 | LEAD UNIT | | 1 | * | |
| 127-1 | 632T58-7 | LEAD UNIT | < | 1 | | |
| 128 | 629A92-2 | STATOR | | 1 | | |
| 129 | 459144-7 | BAFFLE PLATE | | 1 | | |
| 130 | 266326-2 | TAPPING SCREW 4X18 | | 2 | | |
| 131 | 210059-1 | BALL BEARING 6000DDW | | 1 | | |
| 132 | 519717-9 | ROTOR ASS'Y | | 1 | | |
| D10 | | INC. 131 | | | | |
| 133 | 962211-4 | RETAINING RING R-42 | | 1 | | |
| 134 | 253545-9 | FLAT WASHER 28 | | 1 | | |
| 135 | 267212-0 | FLAT WASHER 12 | | 1 | | |
| 136 | 211132-0 | BALL BEARING 6301DDW | | 1 | | |
| 137 | 262085-6 | RUBBER RING 38 | | 1 | | |

| | | | | | | |
|-----|----------|-------------------------------|--|---|--|--|
| 138 | 141G44-4 | GEAR HOUSING COMPLETE | | 1 | | |
| C10 | 263002-9 | RUBBER PIN 4 | | 1 | | |
| 139 | 266021-4 | TAPPING SCREW 5X20 | | 4 | | |
| 140 | 922343-9 | H.S.H.BOLT M6X25 WITH WR | | 4 | | |
| 141 | 227921-3 | SPIRAL BEVEL GEAR 15 | | 1 | | |
| 142 | 252178-7 | HEX. NUT M8-12 | | 1 | | |
| 143 | 422821-4 | SPONGE SHEET | | 1 | | |
| 144 | 265620-9 | TAPPING SCREW FLANGE 4X18 | | 1 | | |
| 145 | 620H50-3 | LED CIRCUIT | | 1 | | |
| 146 | 183U88-2 | MOTOR HOUSING COVER SET | | 1 | | |
| D10 | | INC. 149 | | | | |
| 147 | 620K97-5 | CONTROLLER | | 1 | | |
| 148 | 266326-2 | TAPPING SCREW 4X18 | | 5 | | |
| 149 | 183U88-2 | MOTOR HOUSING COVER SET | | 1 | | |
| D10 | | INC. 146 | | | | |
| 150 | 922343-9 | H.S.H.BOLT M6X25 WITH WR | | 5 | | |
| 151 | 8585M0-3 | CE002G SERIAL NO. LABEL | | 1 | | |
| 152 | 8585L3-0 | CE002G NAME PLATE | | 1 | | |
| A01 | 191W53-9 | RING SET | | 1 | | |
| A02 | 413N26-1 | HOSE CLAMP 40 | | 1 | | |
| A03 | 413P08-5 | HOSE CLAMP 46 | | 1 | | |
| A04 | 782037-6 | BOX WRENCH 13-19 | | 1 | | |
| A05 | D-56998 | LASER DIAMOND WHEEL SEGMENTED | | 1 | | |
| A06 | 198900-7 | WIRELESS UNIT SET | | 1 | | |

Please state Parts No. when your order.

Print Date 10/24/2023