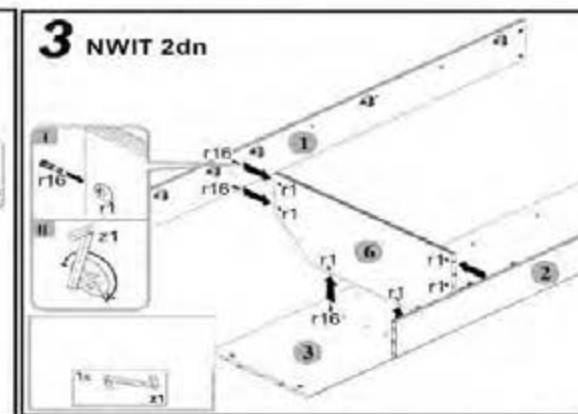
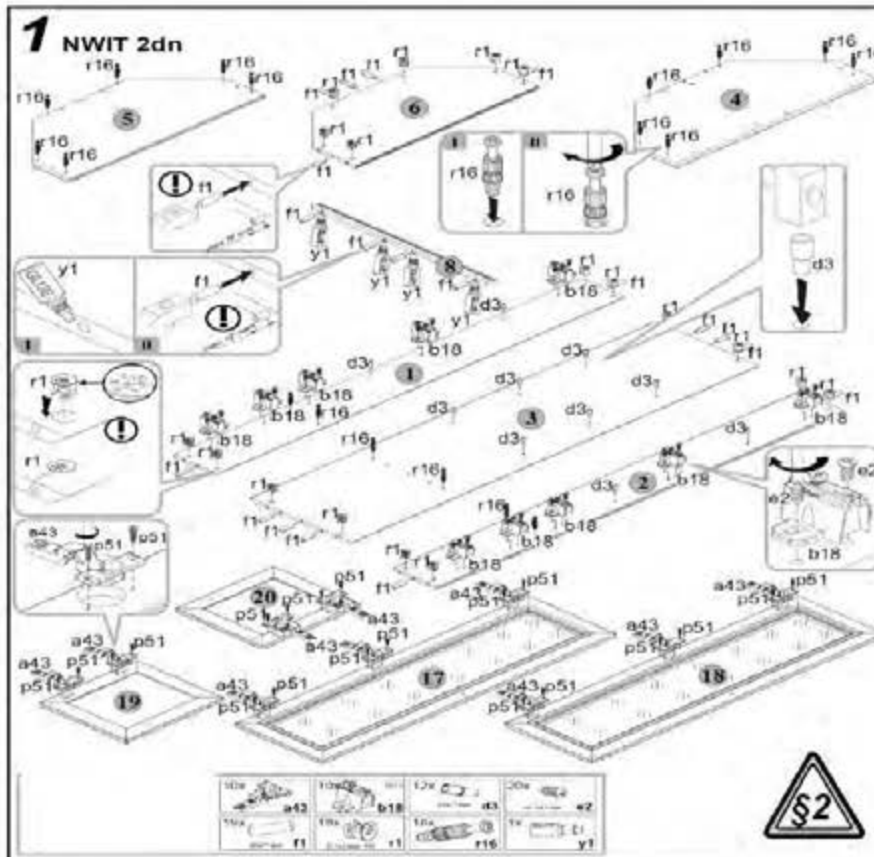
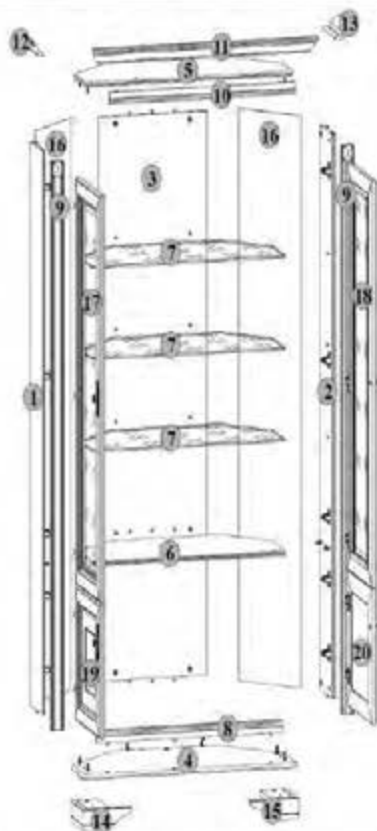


STYLIUS NWIT 2dn

A	B	C	D
1	1857x199	S21-137	1/7
2	1857x199	S21-138	1/7
3	1857x468	S21-139	1/7
4	922x431	S21-234	2/7
5	696x398	S21-235	2/7
6	832x382	S21-326	2/7
7	828x375	S21-564	3/7
8	798x40	S21-572	4/7
9	1873x50	S21-573	4/7
10	788x40	S21-581	4/7
11	971x79	S21-1575	4/7
12	248x79	S21-1585	4/7
13	248x79	S21-1586	4/7
14	210x193	S21-2592	5/7
15	210x193	S21-2593	5/7
16	1884x297	S21-929	1/7
17	1340x396	S21-019	6/7
18	1340x396	S21-021	6/7
19	445x396	S21-023	7/7
20	445x396	S21-024	7/7



P28-S21-NWIT 2dn-M IN8-KOR02

