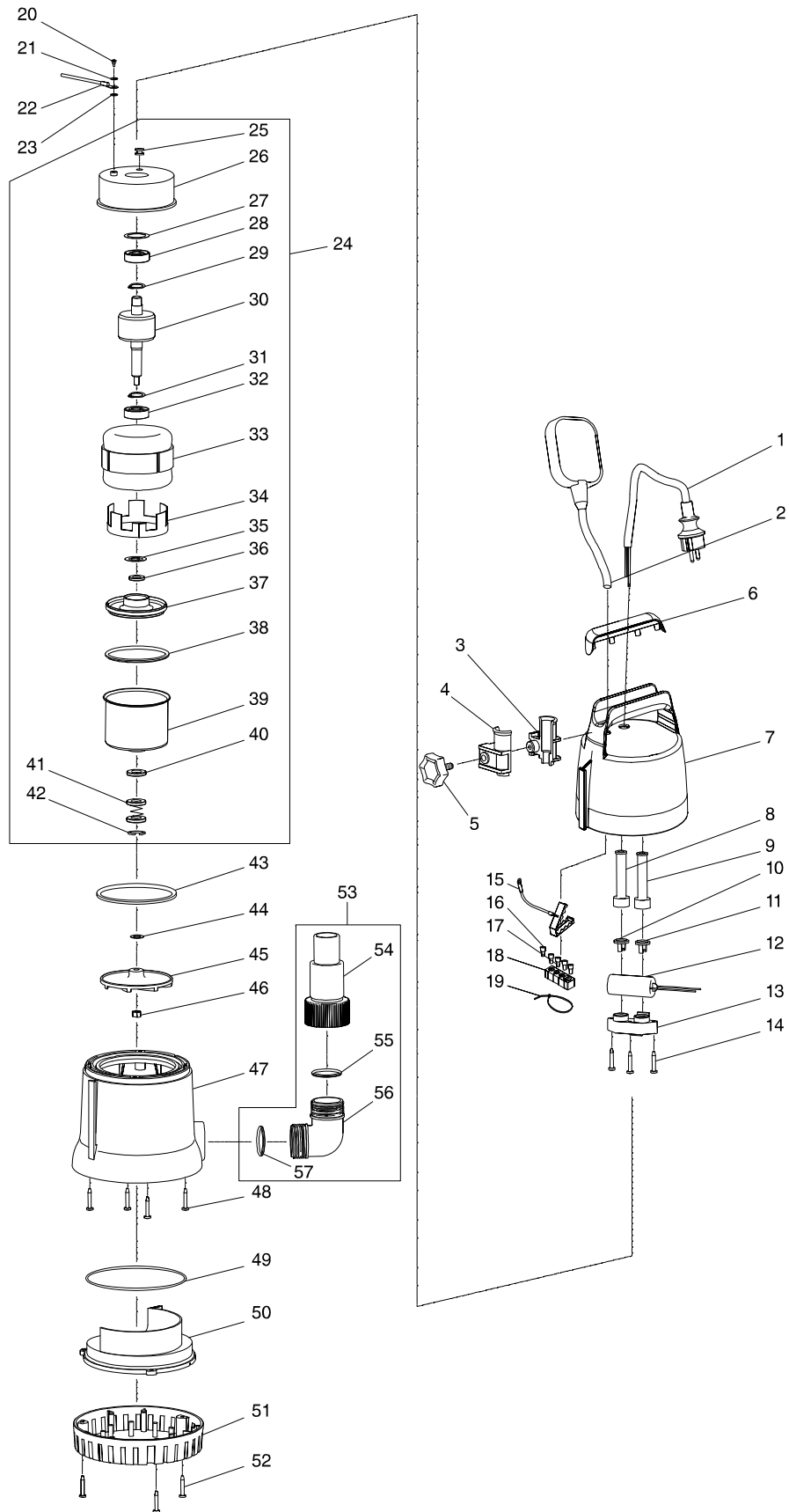


# Model No. PF0300 SUBMERSIBLE PUMP



# Model No. PF0300 SUBMERSIBLE PUMP

Item	Parts No.	Description	I/C	QTY	N/O	Opt. 1	Opt. 2	NOTE
001	609027792	POWER SUPPLY CORD 0.75-3-10		1				
002	609026209	FLOAT SWITCH BLUE		1				
003	609026210	CORD CLAMP BODY SIDE		1				
004	609026211	CORD CLAMP THUMB SCREW SIDE		1				
005	609026212	THUMB SCREW M5X16		1				
006	609024586	HANDLE COVER MAKITA		1				
007	609026219	UPPER HOUSING BLUE		1				
008	609024588	CORD GUARD 8.5		1				
009	609024587	CORD GUARD 6.5		1				
010	609024590	CORD CLAMP 8.5		1				
011	609024589	CORD CLAMP 6.5		1				
012	JH00000044	CAPACITOR 6 MICRO F		1				
013	609024592	CAPACITOR HOLDER		1				
014	609024593	TAPPING SCREW 4X32		3				
015	609024628	GROUND COVER FOR RUBBER COVE		1				
016	609024629	CLOSED END SPLICE 5.5-SD		2				
017	609024630	CLOSED END SPLICE 2-SD		3				
018	609024631	RUBBER COVER FOR 4 SPLICE		1				
019	609024632	CABLE TIE		1				
020	609024601	SCREW M4X8		1				
021	609024596	SPRING WASHER 4		1				
022	JH00000004	GROUND WIRE ASSY		1				
023	609024600	TOOTHED LOCK SPRING WASHER 4		1				
024	JH00000064	MOTOR ASSY 230V 50HZ		1				
D10		INC. 25-42						
025	609024595	GROMMET 10		1				
026	609024594	MOTOR HOUSING UPPER SIDE		1				
027	609024602	WAVE WASHER 25		1				
028	609024603	BALL BEARING 6201Z		1				
029	961052-5	RETAINING RING S-12		1	100			
030	JH00000046	ROTOR		1				
031	961052-5	RETAINING RING S-12		1	100			
032	609024603	BALL BEARING 6201Z		1				
033	JH00000047	STATOR ASSY 230V 50HZ		1				
034	609024606	LINING RING		1				
035	609024607	SHIM		1				
036	609024608	SKELETON SEAL RING		1				
037	609024609	BEARING BOX		1				
038	609024610	O-RING		1				
039	609024611	MOTOR HOUSING LOWER SIDE		1				
040	609024608	SKELETON SEAL RING		1				
041	609024633	MECHANICAL SEAL		1				
042	609024634	RETAINING RING S-12 INOX		1				
043	609024612	O-RING		1				
044	609024613	SPACER WASHER		1				
045	609024614	IMPELLER 90		1				
046	609024615	NYLON INSERT HEX LOCK NUT M8		1				
047	609024616	LOWER HOUSING ASSY		1				

Please order the parts with a part number.

Print Date 18/04/2018

