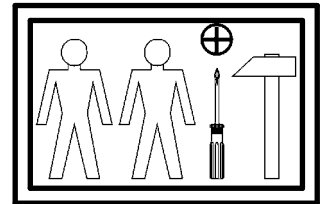
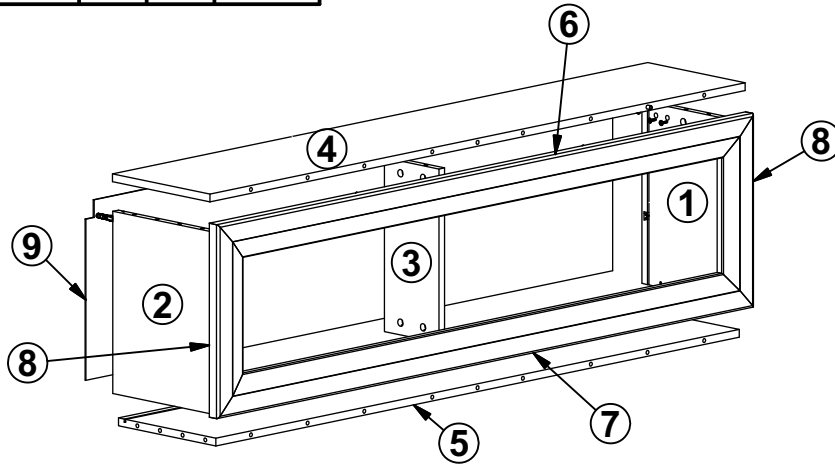
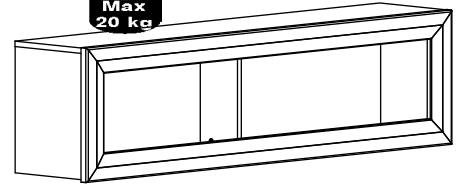
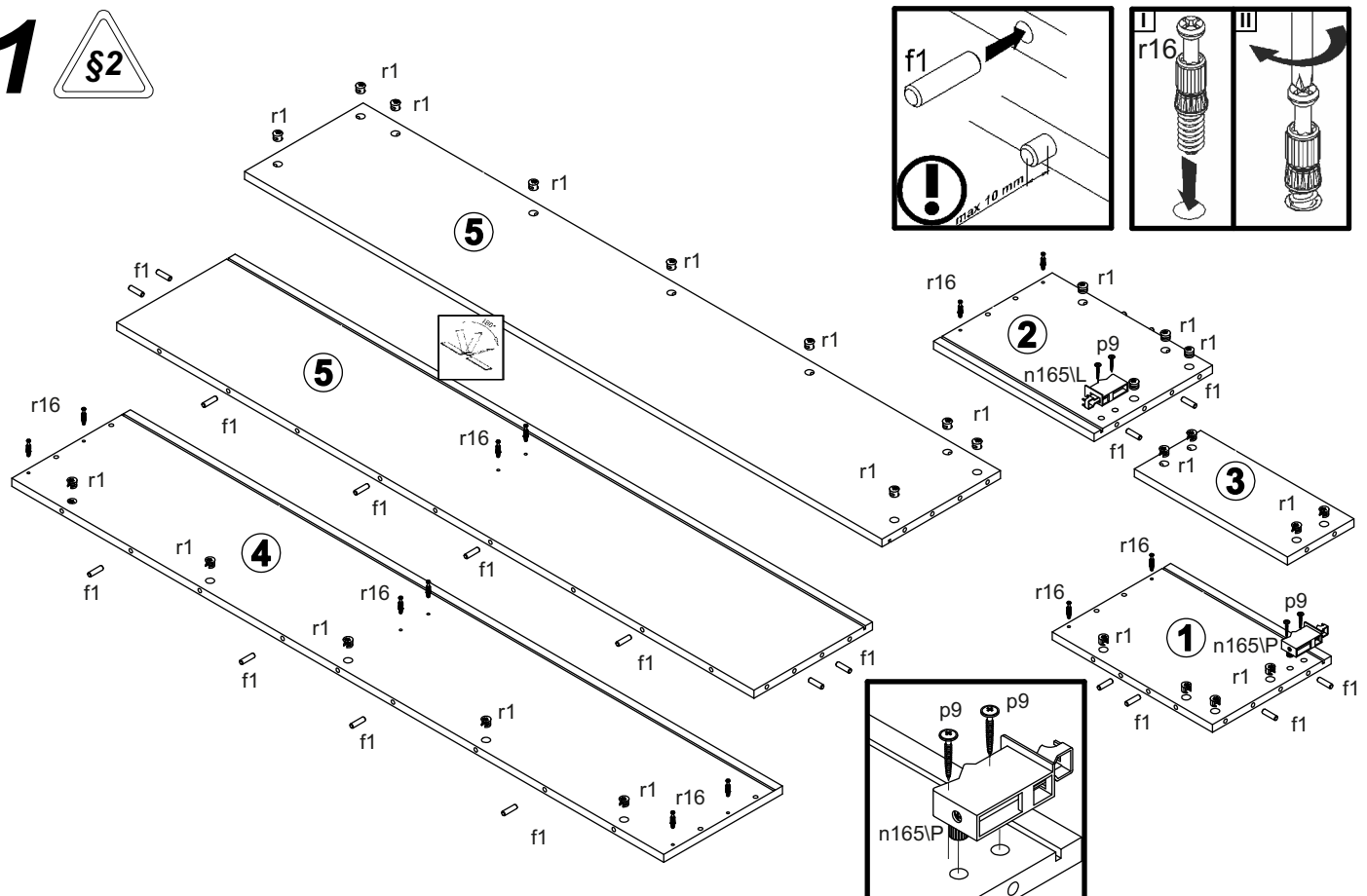


A	B	C	D	
1	B136-129	372	275	1/1
2	B136-130	372	275	1/1
3	B136-178	355	154	1/1
4	B136-219	1511	275	1/1
5	B136-333	1477	275	1/1
6	B136-573	1513	80	1/1
7	B136-581	1513	80	1/1
8	B136-582	396	80	1/1
9	B136-920	1487	365	1/1

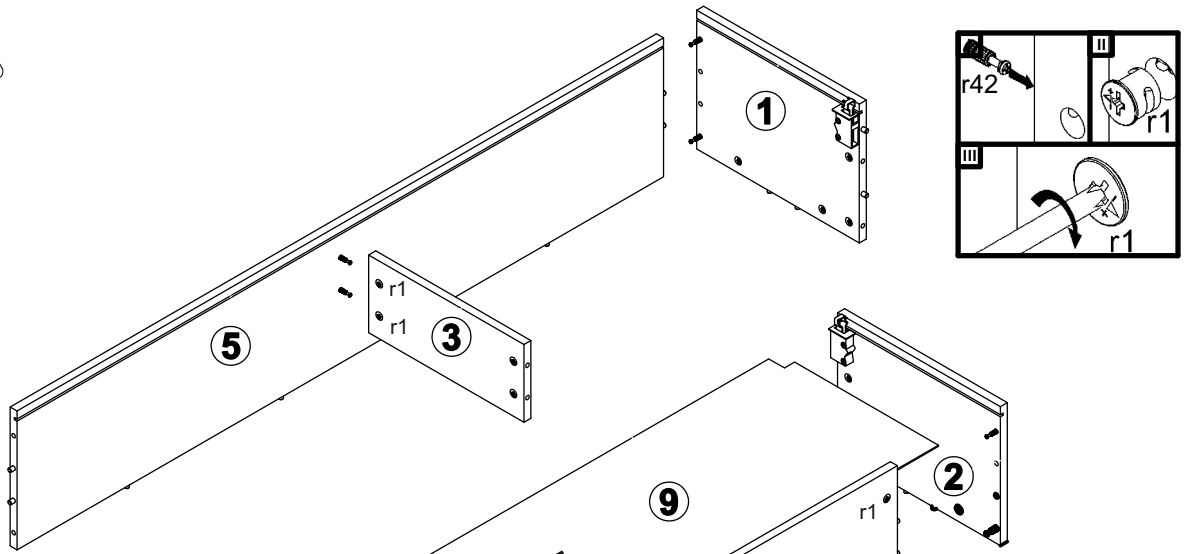


32x φ8x30 mm f1	16x l2	1x n165L	1x n165P	4x φ4x30 mm p9	2x φ10x50 mm f35	2x φ6x60 mm p127	5x l1	28x ø16 s2
34x φ15x12mm #16 r1	4x r10	26x 20/9 r16	1x z1					

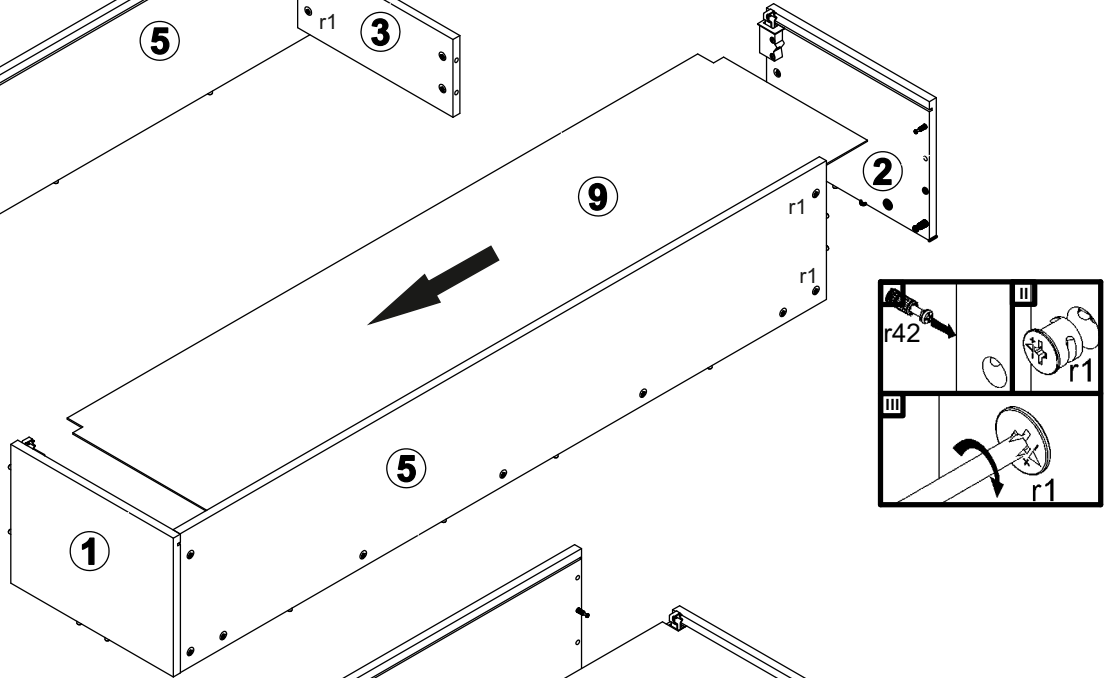
1 §2



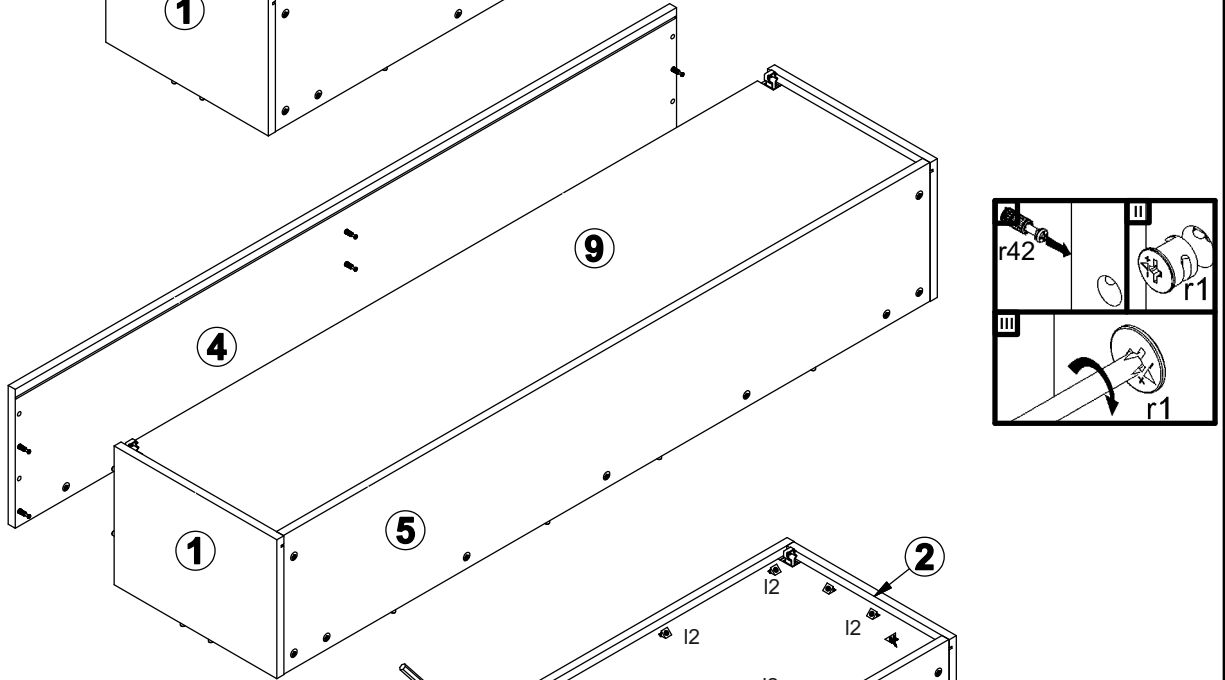
2



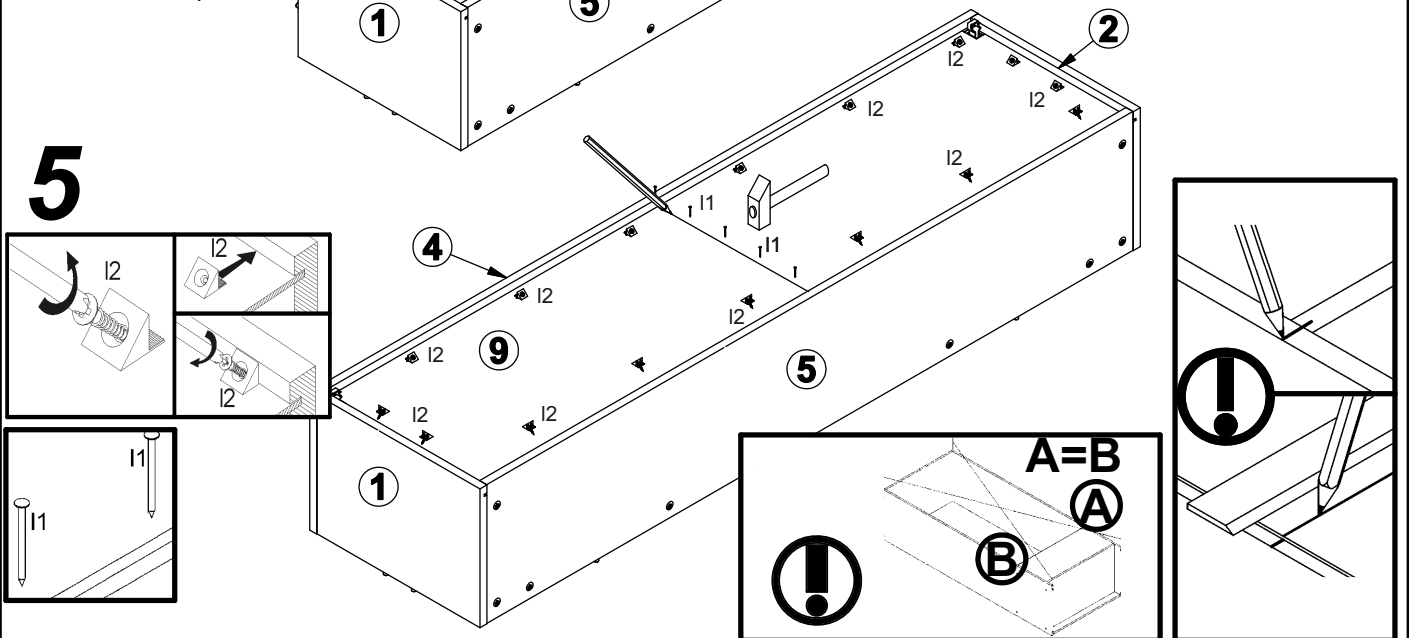
3



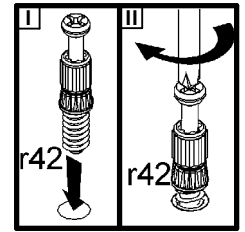
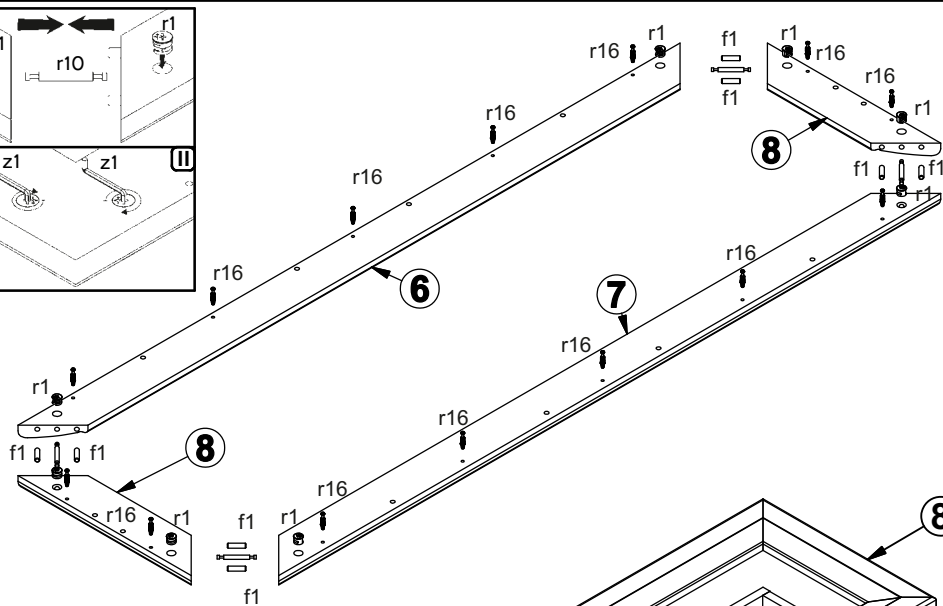
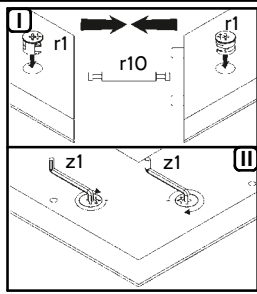
4



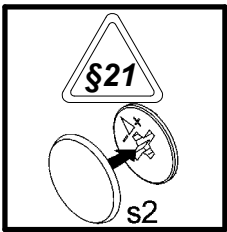
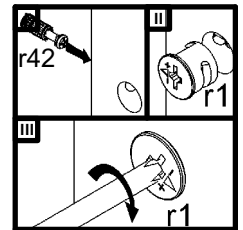
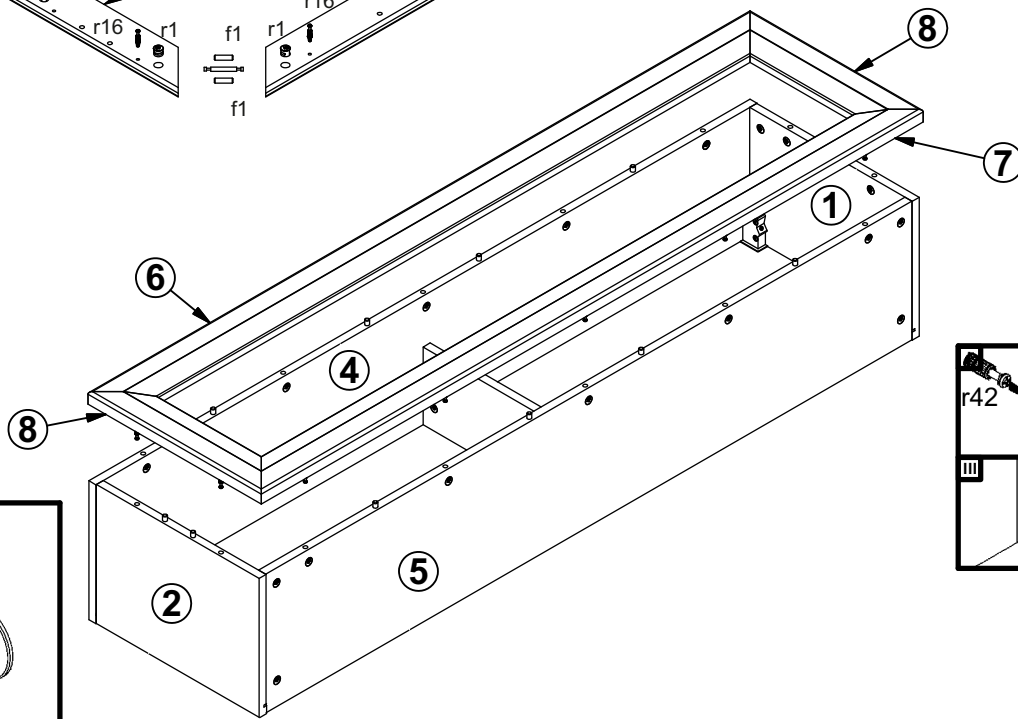
5



6



7



8

