

RYOBI®

RY1400SF35A
RY1400SF35B

ORIGINAL INSTRUCTIONS
TRADUCTION DES INSTRUCTIONS ORIGINALES
ÜBERSETZUNG DER ORIGINALANLEITUNG
TRADUCCIÓN DE LAS INSTRUCCIONES ORIGINALES
TRADUZIONE DELLE ISTRUZIONI ORIGINALI
VERTALING VAN DE ORIGINELE INSTRUCTIES
TRADUÇÃO DAS INSTRUÇÕES ORIGINAIS
OVERSÆTTELSE AF DE ORIGINALE INSTRUKTIONER
ÖVERSÄTTNING AV DE URSPRUNGLIGA INSTRUKTIONERNA
ALKUPERÄISTEN OHJEIDEN SUOMENNO
OVERSETTELSE AV DE ORIGINALE INSTRUKSJONENE
ПЕРЕВОД ОРИГИНАЛЬНЫХ ИНСТРУКЦИЙ
TŁUMACZENIE INSTRUKCJI ORYGINALNEJ
PŘEKLAD ORIGINÁLNÍCH POKYNŮ
AZ EREDETI ÚTMUTATÓ FORDÍTÁSA
TRADUCEREA INSTRUCȚIUNILOR ORIGINALE
TULKOTS NO ORIGINĀLĀS INSTRUKCIJAS
ORIGINALIŲ INSTRUKCIJŲ VERTIMAS
ORIGINAALJUHENDI TÖLGE
PRIJEVOD ORIGINALNIH UPUTA
PREVOD ORIGINALNIH NAVODIL
PREKLAD ORIGINALNYCH POKYNOV
ПЕРЕВОД ОТ ОРИГИНАЛНИТЕ ИНСТРУКЦИИ
PEREKŁAD ORYGINALNYCH INSTRUKCJI
ORIJINAL TALIMATLARIN ÇEVIRILERI

EN
FR
DE
ES
IT
NL
PT
DA
SV
FI
NO
RU
PL
CS
HU
RO
LV
LT
ET
HR
SL
SK
BG
UK
TR



Important!	It is essential that you read the instructions in this manual before assembling, maintaining and operating the product.
Attention!	Il est essentiel que vous lisiez les instructions contenues dans ce manuel avant d'assembler, d'entretenir et d'utiliser le produit.
Achtung!	Es ist wichtig, dass Sie vor Zusammenbau, Wartung und Benutzung des Produktes die Anweisungen in dieser Anleitung lesen.
¡Atención!	Resulta fundamental que lea este manual de instrucciones antes de realizar el montaje, el mantenimiento y de utilizar este producto
Attenzione!	E' importante leggere le istruzioni contenute nel presente manuale prima di montare il prodotto, svolgere le operazioni di manutenzione sullo stesso e metterlo in funzione.
Let op!	Het is van essentieel belang dat u de instructies in deze gebruiksaanwijzing leest voor u het product monteert, onderhoudt en gebruikt.
Atenção!	É fundamental que leia as instruções deste manual antes da montagem, manutenção e operação do aparelho.
OBS!	Det er vigtigt, at man læser instrukserne i denne brugsanvisning, inden man samler, vedligeholder og betjener produktet.
Observera!	Det är viktigt att du läser instruktionerna i manualen före montering, användning och underhåll av produkten.
Huomio!	On tärkeää, että luet tämän käsikirjan ohjeet ennen tuotteen kokoamista, huoltoa ja käyttöä.
Advarsel!	Det er viktig at du leser instruksjonene i denne manualen før sammensetning, vedlikehold og bruk av produktet
Внимание!	Необходимо прочитать инструкции в данном руководстве перед сборкой, обслуживанием и эксплуатацией этого изделия.
Uwaga!	Koniecznienależyprzeczytaćinstrukcjezawarte w tym podręczniku przed montażem, obsługą oraz konserwacją produktu.
Důležitostě upozornění!	Neinstalujte, neprovádějte údržbu ani nepoužívejte tento výrobek dříve, než si přečtete pokyny uvedené v tomto návodu.
Figyelem!	Fontos, hogy a termék összeszerelése, karbantartása és használatá előtt elolvassa a kézikönyvben található utasításokat.
Atenție!	Este esențial să citiți instrucțiunile din acest manual înainte de asamblare, efectuarea întreținerii și operarea produsului.
Uzmanību!	Ir svarīgi izlasīt šīs rokasgrāmatas instrukcijas pirms uzstādīšanas, apkopes un precēs darbināšanas.
Dėmesio!	Prieš surenkant, prižiūrint ir naudojant gaminį, būtina perskaityti šiame vadove pateiktus nurodymus.
Tāhtis!	Enne masina kokkupanekut, hooldamist ja kasutama hakkamist tuleb käesolevas juhendis esitatud juhised kindlasti läbi lugeda.
Upozorenje!	Vrlo je važno da ste prije sklapanja, održavanja i rada s ovim proizvodom pročitali upute u ovom priručniku.
Pomembno!	Pomembno je da pred montažo vzdrževanjem in uporabo tega izdelka preberete navodila v tem priručniku.
Upozornenie!	Je dôležité, aby ste si pred montážou, údržbou a obsluhou produktu prečítali pokyny v tomto návode.
Важно!	Исключительно важно е да прочетете инструкциите в настоящото ръководство, преди да преминете към сглобяване, поддръжка или работа с продукта.
Важливо!	Дуже важливо, щоб ви прочитали інструкції в цьому керівництві перед складанням, обслуговуванням та експлуатацією цієї машини.
Önemli!	Ürünü monte etmeden, kullanmadan ve bakımını yapmadan önce bu kılavuzdaki talimatları okumanız önemlidir.

Subject to technical modification | Sous réserve de modifications techniques | Technische Änderungen vorbehalten | Bajo reserva de modificaciones técnicas | Con riserva di eventuali modifiche tecniche | Technische wijzigingen voorbehouden | Com reserva de modificações técnicas | Med forbehold for tekniske ændringer | Med förbehåll för tekniska ändringar | Tekniset muutokset varataan | Med forbehold om tekniske ændringer | могут быть внесены технические изменения | Z zastrzeżeniem modyfikacji technicznych | Změny technických údajů vyhrazeny | A műszaki módosítás jogát fenntartjuk | Sub rezerva modificățiilor tehnice | Paturam tiesības mainīt tehniskos raksturlielumus | Pasiliekan teisę daryti techninius pakeitimus | Tehnilised muudatused võimalikud | Podloženo tehničkim promjenama | Tehnične spremembe dopuščene | Právo na technické zmeny je vyhradené | Подлежи на технически модификации | Є об'єктом для технічних змін | Teknik değişikliğe tabidir.

Safety, performance, and dependability have been given top priority in the design of your electric scarifier or aerator.

INTENDED USE

The electric scarifier or aerator is intended only for use outdoor use. All four wheels should touch the ground while scarifying or aerating.

The product fitted with scarifying tines is designed for domestic lawn scarifying.

The product fitted with an aerator attachment is designed to create holes in the soil to reduce soil compaction.

The product is a pedestrian-controlled mains-operated lawn scarifier designed to be pushed by hand. The product should not be pulled or ridden on. It should not be used to cut anything other than domestic grass lawns.

Do not use the product for any other purpose.

GENERAL POWER TOOL SAFETY WARNINGS

⚠ WARNING

When using the product, the safety rules must be followed. For your own safety and that of bystanders, please read these instructions before operating the product. Please keep the instructions safe for later use.

PERSONAL SAFETY

- The product is capable of amputating hands and feet, and of throwing objects. Failure to observe all safety instructions could result in serious injury or death.
- Be familiar with the controls and the correct use of the product.
- Never allow children or people with reduced physical, sensory or mental capabilities or persons not familiar with these instructions to operate, clean or maintain the product. Local regulations may restrict the age of the operator. Children should be adequately supervised to ensure they do not play with the product.
- Stay alert, watch what you are doing, and use common sense when operating the product. Do not operate the product while tired or under the influence of drugs, alcohol, or medication. A lapse in concentration while operating the product may result in serious personal injury.
- Wear heavy, long trousers, long sleeves, and sturdy, anti-slip footwear. Do not wear short trousers, sandals, or go barefoot. Avoid wearing loose-fitting clothing or clothes that have hanging cords or ties.
- Always wear safety glasses with side shields.
- Do not overreach. Always be sure of your footing especially on slopes. Keep firm footing and balance. Walk, never run.
- Use the product across the face of slopes, never up and down. Exercise extreme caution when changing direction on slopes.
- Do not use the product near drop-offs, ditches, excessively steep slopes, or embankments. Poor footing could cause a slip-and-fall accident.

WORK AREA SAFETY

- Never use the product while people, especially children, or pets are nearby.
- Objects struck by the scarifier tines can cause severe injuries to persons. Thoroughly inspect the area where the product is to be used and remove all rocks, sticks, metal, wire, bones, toys, or other foreign objects.
- Always use the product in the daylight or with good artificial light.
- Do not operate the product in explosive atmospheres, such as in the presence of flammable liquids, gases or dust. The product creates sparks, which may ignite the dust or fumes.
- Do not operate the product on wet grass or in the rain.
- Do not operate the product on a paved or gravel surface where ejected material could cause injury.
- Operate the product only on a level surface by using a two-handed operation with the operator behind the handlebar.
- Avoid using the scarifier in bad weather especially when there is a risk of lightning.
- Keep in mind that the operator or user is responsible for accidents or hazards occurring to other people or their property.
- Tragic accidents can occur if the operator is not alert to the presence of children. Never assume that children will remain where you last saw them.
- Keep children out of the mowing area and under the watchful care of a responsible adult other than the operator, be alert and turn the product off if a child enters the area.
- Use extra care when approaching blind corners, shrubs, trees, or other objects including overhanging shrubs, which may block your view.

ELECTRICAL SAFETY

- Power plugs must match the outlet. Never modify the plug in any way. Do not use any adapter plugs with earthed (grounded) power tools. Unmodified plugs and matching outlets will reduce risk of electric shock.
- Avoid unintentional starting. Always check that the switch is in off position before plugging in the product to the power supply. Do not carry a plugged in product with your finger on the switch.
- Avoid body contact with earthed or grounded surfaces, such as pipes, radiators, ranges and refrigerators. There is an increased risk of electric shock if your body is earthed or grounded.
- Do not expose the product to rain or wet conditions. Water entering an appliance will increase the risk of electric shock.
- Electrical power should be supplied via a residual current device (RCD) with a tripping current of not more than 30 mA.
- Before use check the supply and extension cord for signs of damage or aging. If the cord becomes damaged during use, disconnect the cord from the supply immediately. Damaged cords can lead to contact with live parts. **Do not touch the cord before**

EN

FR

DE

ES

IT

NL

PT

DA

SV

FI

NO

RU

PL

CS

HU

RO

LV

LT

ET

HR

SK

SL

BG

UK

TR

disconnecting the supply. Do not use the product if the cord is damaged or worn.

- If the power cord is damaged, it should be replaced by a person professionally qualified to do so, with a new cable set that is available from the manufacturer. Failure to follow this instruction can result in serious injury to yourself or others including electrocution.
- If you need to use an extension cord ensure that it is suitable for outdoor use and has a current capacity rating sufficient to supply your product. The extension cord cable should be marked with either "H05 RN-F" or "H05 VV-F". Check the cord before every use for damage, and always uncoil it during use, because coiled cords can overheat. Replace damaged extension cords with an equivalent type. Do not repair damaged extension cords.
- Make sure to keep extension cords away from moving hazardous parts to avoid damages to the cords which can lead to contact with live parts.
- Make sure that the power cord is positioned so that it cannot be damaged by the cutting means and will not be stepped on, tripped over or otherwise subjected to damage or stress.
- Never pick up or carry the product by the electric cable.
- Never pull by the power cord to disconnect from the power supply.
- Keep the power cord away from heat, oil and sharp edges.
- Make sure that voltage is correct for your product. A nameplate on the product indicates the product's voltage. Never connect the product to an AC voltage that differs from this voltage.
- Always ensure that the cord from the handlebar to the scarifier body is never trapped, pinched or otherwise damaged during assembly or handle folding. Never apply power to the product if the cable is damaged. Have the product serviced by an authorised service centre only.
- A power spike causes voltage fluctuations and may affect other electrical products in the same power line. Connect the product to a power supply with an impedance equal or less than 0.452Ω - for RY1400SF35A and RY1400SF35B to minimize voltage fluctuations. Contact your electric power supplier for further clarification.

ELECTRIC SCARIFIER AND AERATOR SAFETY WARNINGS

- The tines on the product are sharp. Use extreme caution and wear heavy-duty gloves when fitting, replacing, cleaning, or checking bolt security.
- Check that all screws, nuts, bolts, and other fasteners are properly secured and that guards and screens are in place. Replace damaged or unreadable labels.
- Replace worn or damaged parts before operating the product.
- Install the debris collector before scarifying. Empty the debris collector when it is full and reinstall before resuming operation.
- The product must be started with the user behind the handlebars in the operator safety zone. Never start the product if:
 - not all four wheels are on the ground
 - the debris discharge chute is exposed and is not protected by the debris collector and debris discharge chute cover.
- Never operate the product if the on/off switch on the handlebar does not properly start and stop the product.
- Never lock the on/off switches in the on position; this is extremely dangerous.
- Do not force the product. It will do the job better and safer at the speed for which it was designed.
- Stop the tines when crossing gravel surfaces.
- Use extreme caution when reversing or pulling the product towards you.
- Stop the tines if the product has to be tilted for transportation when crossing surfaces other than grass, and when transporting the product to and from the work area.
- Never use the product with defective guards or shields, or without safety devices, for example, deflectors and/or debris collectors, in place.
- Do not tilt the product when turning on the motor, except if the machine has to be tilted for starting. If absolutely necessary, you may lift only the part that is away from the operator. Always ensure that both hands are in the operating position before returning the machine to the ground.
- Turn on the product carefully according to the instructions and keep hands and feet away from the tines. Do not put hands or feet near or under rotating parts. Keep clear of the discharge opening at all times.
- Never pick up or carry the product while it is running.
- Keep the supply and extension cord away from tines.
- Turn off the product, and disconnect it from the power supply. Make sure that all moving parts have come to a complete stop:
 - whenever you leave the product unattended (including disposal of grass clippings).
 - before cleaning a blockage or unclogging the discharge chute
 - before checking, cleaning or working on the product
 - after striking a foreign object; inspect the product for damage and make repairs as necessary before restarting and operating the product.
- If the product starts to vibrate abnormally, check immediately to:
 - inspect for damage
 - replace or repair any damaged parts
 - check for and tighten any loose parts
- Avoid holes, ruts, bumps, rocks, property stakes, or other hidden objects. Uneven terrain could cause a slip-and-fall accident.
- Release the handle immediately and stay away from the product if:
 - the product catches fire
 - the guard and/or housing is broken

- abnormal sound occurs
- any accident or breakdown occurs

⚠ WARNING

Make sure that the tines are at a complete stop before removing or installing the debris collector.

⚠ WARNING

Do not touch moving hazardous parts before the product is disconnected from the power supply and the moving hazardous parts have come to a complete stop.

OVERLOAD PROTECTION DEVICE

The product has an overload protection device. When overloading is detected, the product will automatically turn off. If the overload protector is actuated, the motor must be allowed to cool down for 5 to 10 minutes.

Turn off the product and disconnect it from the power supply. The tines are sharp; wear heavy-duty gloves before touching. Make sure that the tines can rotate freely and is not jammed or tight.

When the motor has cooled down, connect the plug to the power supply and turn on the product. Press the start button and then the on-off button to start the product. If the product will still not start, have the product serviced by an authorised service centre only.

GENERAL SCARIFYING TIPS

- Adjust the cutting depth according to the needs of your lawn and the length of the grass.
- Mow your lawn and apply moss killer a week before you plan to scarify if your lawn has a moss problem.
- Water your lawn a few days before scarifying to make sure your lawn is moist but not overly wet.

TRANSPORTATION AND STORAGE

- Clean all foreign materials from the product. Store the product in a cool, dry, and well-ventilated place that is inaccessible to children. Keep the product away from corrosive agents such as garden chemicals and deicing salts. Do not store the product outdoors.
- For transportation, secure the product against movement or falling to prevent injury to persons or damage to the product.

⚠ WARNING

Use extreme caution when lifting or tilting the product for maintenance, cleaning, storage, or transportation. The tines are sharp, keep all body parts away from the tines while it is exposed.

MAINTENANCE

⚠ WARNING

Use only original manufacturer's replacement parts, accessories, and attachments. Failure to do so can cause injury, can contribute to poor performance, and may void your warranty.

⚠ WARNING

Servicing requires extreme care and knowledge and should be performed only by a qualified service technician. Have the product serviced by an authorised service centre only. When servicing, use only original replacement parts.

- When the product is stopped for servicing, inspection, or storage, or changing an accessory, turn off the power source, disconnect the product from the supply and make sure that all moving parts have come to a complete stop. Allow the product to cool down before making any inspections and adjustments. Maintain the product with care and keep it clean.
- Check the debris collector frequently for wear, holes or deterioration.
- You may make adjustments and repairs described in this manual. For other repairs, contact an authorised service centre.
- Replace worn or damaged parts for safety. Use only genuine replacement parts and accessories.
- After each use, clean the product with a soft, dry cloth. Any part that is damaged should be properly repaired or replaced by an authorised service centre.
- Check all nuts, bolts, and screws at frequent intervals for proper tightness to ensure the product is in safe working condition.
- Be careful during adjustment of the product to prevent entrapment of the fingers between moving tines and fixed parts of the product.
- When servicing the tine assembly, be aware that even though the power source is turned off, the tine assembly can still be moved.
- The tines on the product is sharp. Use extreme caution and wear heavy-duty gloves when fitting, replacing, cleaning or checking bolt security.

CLEARING BLOCKAGES

- Turn off the product, and disconnect it from the power supply.
- Always wear heavy-duty gloves when checking or clearing a blockage. The tines are sharp and the blockage itself could be a sharp object.
- Remove the debris collector, check for and carefully clear obstructions.
- Check for and carefully clear blockages in the grass discharge chute.

EN

FR

DE

ES

IT

NL

PT

DA

SV

FI

NO

RU

PL

CS

HU

RO

LV

LT

ET

HR

SL

SK

BG

UK

TR

- Turn the product on its side and check the underside of the product and the area around the tines. Remove any found blockages carefully.

RESIDUAL RISKS

Even when the product is used as prescribed, it is still impossible to completely eliminate certain residual risk factors. The following hazards may arise during use, and the operator should pay special attention to avoid the following:

- injury caused by vibration
 - Always use the right tool for the job. Use designated handles. Restrict working time and exposure.
- injury caused by noise
 - Exposure to noise can cause hearing injury. Wear ear protection and limit exposure.
- injury from contact with the tines
- injury caused by thrown objects

RISK REDUCTION

It has been reported that vibrations from handheld tools may contribute to a condition called Raynaud's Syndrome. Symptoms may include tingling, numbness, and blanching of the fingers, usually apparent upon exposure to cold. Hereditary factors, exposure to cold and dampness, diet, smoking, and work practices are all thought to contribute to the development of these symptoms. There are measures that can be taken by the operator to possibly reduce the effects of vibration:

- Keep your body warm in cold weather. When operating the product, wear gloves to keep the hands and wrists warm. It is reported that cold weather is a major factor contributing to Raynaud's Syndrome.
- After each period of operation, exercise to increase blood circulation.
- Take frequent work breaks. Limit the amount of exposure per day.

If you experience any of the symptoms of the condition, immediately discontinue use and see your physician.

WARNING

Injuries may be caused, or aggravated, by prolonged use of a tool. When using any tool for prolonged periods, ensure you take regular breaks.

KNOW YOUR PRODUCT

See page 132.

1. Switch button
2. Handle grips
3. Triggers
4. Upper handle pole
5. Knobs
6. Hex key
7. Tines
8. Rear wheels
9. Front wheels
10. Extension lead
11. Aerator attachment

4 | English

12. Height adjustment lever
13. Rear door
14. Debris collector
15. Middle handle pole
16. Wiring
17. Cord hook

SYMBOLS ON THE PRODUCT



Safety alert



Please read the instructions carefully before starting the product.



Wear ear protection.



Wear eye protection.



Do not expose to rain or damp condition



Beware of thrown or flying objects. Keep all bystanders, especially children and pets, at least 15 m away from the operating area.



Beware of sharp tines. Tines continue to rotate after the motor is switched off. Remove the plug from mains before maintenance or if cord is damaged.



Keep the supply flexible cord away from the tines.



Working width: 35 cm



Class II: Protection against electric shock rely on double insulation or reinforced insulation.



Waste electrical products should not be disposed of with household waste. Please recycle where facilities exist. Check with your local authority or retailer for recycling advice.



Conforms to all regulatory standards in the country in the EU where the product is purchased.



EurAsian Conformity Mark



Do not operate on inclines greater than 15°. Use the product across the face of slopes, never up and down.



Ukrainian mark of conformity



The guaranteed sound power level shown on this label is 100 dB.

SYMBOLS IN THIS MANUAL



Parts or accessories sold separately



Note



Warning

The following signal words and meanings are intended to explain the levels of risk associated with this product.

⚠ DANGER

Indicates an imminently hazardous situation, which, if not avoided, will result in death or serious injury.

⚠ WARNING

Indicates a potentially hazardous situation, which, if not avoided, could result in death or serious injury.

⚠ CAUTION

Indicates a potentially hazardous situation, which, if not avoided, may result in minor or moderate injury.

CAUTION

Without safety alert symbol

Indicates a situation that may result in property damage.

EN

FR

DE

ES

IT

NL

PT

DA

SV

FI

NO

RU

PL

CS

HU

RO

LV

LT

ET

HR

SL

SK

BG

UK

TR

Lors de la conception de l'aérateur ou du scarificateur électrique, l'accent a été mis sur la sécurité, les performances et la fiabilité.

UTILISATION PRÉVUE

Le scarificateur ou aérateur électrique est exclusivement destiné à un usage extérieur. Lors de l'aération ou la scarification, les quatre roues doivent toucher le sol.

Le produit équipé des dents de scarification est conçu pour la scarification des pelouses domestiques.

Le produit équipé de l'aérateur est conçu pour créer des trous dans le sol afin de réduire le compactage du sol.

Le produit est un scarificateur contrôlé par l'opérateur et fonctionnant sur secteur, conçu pour être poussé à la main. Le produit ne doit pas être tiré ni chevauché. Elle ne doit être utilisée que pour la tonte des pelouses de particuliers. Utilisez ce produit pour aucun autre travail.

INDICATIONS GÉNÉRALES DE SÉCURITÉ POUR OUTILS ÉLECTROPORTATIFS

⚠ AVERTISSEMENT

Suivez les règles de sécurité lorsque vous utilisez le produit. Pour votre sécurité et celle des passants, veuillez lire ces instructions avant d'utiliser le produit. Veuillez conserver instructions pour vous y reporter ultérieurement.

SÉCURITÉ DES PERSONNES

- La tondeuse à gazon est capable d'amputer les mains et les pieds, ainsi que de projeter des objets. Le non-respect de toutes les règles de sécurité est susceptible d'entraîner des blessures graves voire mortelles.
- Familiarisez-vous avec les commandes du produit ainsi qu'avec son utilisation correcte.
- Ne laissez jamais les enfants ou les personnes aux capacités physiques, sensorielles ou mentales réduites, ni les personnes non familiarisées avec ces instructions utiliser, nettoyer ou entretenir le produit. Les lois locales peuvent imposer un âge minimum à l'opérateur. Les enfants doivent être bien surveillés afin de s'assurer qu'ils ne jouent pas avec le produit.
- Restez vigilant, regardez ce que vous faites et faites preuve de bon sens lorsque vous utilisez l'appareil. N'utilisez pas cette tondeuse lorsque vous êtes fatigué ou sous l'influence de l'alcool, de drogues ou de médicaments. Un moment d'inattention lors de l'utilisation de la machine suffit à provoquer de graves blessures.
- Portez des pantalons longs et épais, des manches longues, des chaussures antidérapantes robustes. Ne portez pas de pantalons courts ou de sandales, et ne travaillez pas pieds nus. Évitez de porter des vêtements amples ou qui possèdent des cordons ou attaches qui pendent.
- Portez toujours des lunettes de sécurité avec protections latérales.
- Ne pas se précipiter. Gardez toujours un bon appui sur vos pieds, en particulier dans les pentes. Gardez

un bon appui et un bon équilibre. Marchez, ne courez jamais.

- Utilisez le produit transversalement par rapport à la pente, jamais en la remontant ou en la descendant. Redoublez de vigilance lorsque vous changez de direction dans une pente.
- N'utilisez pas le produit à proximité des à-pics, des fossés, des fortes pentes ou des talus. Un mauvais appui sur le sol peut entraîner une glissade et une chute et causer un accident.

SÉCURITÉ DANS LA ZONE DE TRAVAIL

- N'utilisez jamais la machine si des personnes, en particulier des enfants, ou des animaux familiers se trouvent à proximité.
- Les objets heurtés par les dents du scarificateur peuvent provoquer des blessures graves. Vérifiez avec soin la zone où vous allez utiliser la machine, et retirez-en tous les cailloux, bâtons, objets métalliques, câbles, os, jouets et autres objets étrangers.
- Utilisez le produit en plein jour ou sous un bon éclairage artificiel.
- N'utilisez pas la machine en atmosphère explosive, comme en présence de liquides inflammables, de gaz ou de poussières. L'outil peut produire des étincelles capables d'enflammer poussières et vapeurs.
- N'utilisez pas la machine dans l'herbe mouillée ou sous la pluie.
- N'utilisez pas la machine sur une surface pavée ou gravillonnée, la projection de ces matériaux pouvant causer des blessures.
- Utilisez le produit uniquement sur une surface plane, avec les deux mains, en se tenant derrière la barre de commande.
- Éviter d'utiliser le scarificateur par mauvais temps, tout particulièrement en cas de risque de foudre.
- Gardez à l'esprit que l'opérateur est responsable des accidents qui arrivent aux autres personnes présentes dans sa propriété.
- De tragiques accidents peuvent se produire si l'opérateur n'est pas conscient de la présence d'enfants. Ne considérez jamais comme acquis qu'un enfant restera là où vous l'avez vu pour la dernière fois.
- Maintenez les enfants éloignés de la zone de tonte et sous la surveillance attentive d'un adulte responsable autre que l'opérateur, soyez prudent et arrêtez le produit dès qu'un enfant entre dans la zone.
- Soyez particulièrement prudent lors de l'approche des angles morts, des buissons, des arbres et des autres objets, dont les arbustes en surplomb, qui peuvent bloquer la vue.

SÉCURITÉ RELATIVE AU SYSTÈME ÉLECTRIQUE

- Les fiches secteur doivent correspondre à la prise de courant. Ne pas modifier en aucun cas la fiche. N'utilisez pas de fiches d'adaptateur avec des outils électriques avec mise à la terre. L'utilisation de fiches secteur non modifiées et adaptées à la prise de courant réduit le risque de décharge électrique.



- Évitez tout démarrage involontaire. Assurez-vous toujours que l'interrupteur est en position « Off » (arrêt) avant de brancher le produit sur l'alimentation. Ne déplacez pas un produit en ayant le doigt sur la gâchette lorsque celui-ci est branché.
- Évitez le contact physique avec des surfaces mises à la terre tels que tuyaux, radiateurs, fours et réfrigérateurs. Le risque de décharge électrique est accru si votre corps est électriquement relié à la terre.
- N'exposez pas ce produit à la pluie ou à des conditions humides. La pénétration d'eau dans un appareil augmente le risque de décharge électrique.
- L'appareil doit être alimenté par l'intermédiaire d'un disjoncteur différentiel d'une sensibilité n'excédant pas 30 mA.
- Avant utilisation, vérifiez que le câble d'alimentation et la rallonge ne sont pas endommagés ou usés. Si le câble d'alimentation venait à être endommagé pendant utilisation, débranchez-le immédiatement du secteur. Les cordons endommagés peuvent provoquer des contacts avec des pièces sous tension. **Ne touchez pas au câble avant d'avoir débranché l'alimentation.** N'utilisez pas la machine si le câble est endommagé ou usé.
- Si le cordon d'alimentation est endommagé, il doit être remplacé par une personne qualifiée à le faire, à l'aide d'un nouveau câblage disponible auprès du fabricant. Le non-respect de cette consigne peut entraîner de sérieuses blessures à vous-même et aux autres, notamment une électrocution.
- Si vous devez utiliser une rallonge électrique, assurez-vous qu'elle est prévue pour une utilisation à l'extérieur et que sa capacité en courant est suffisante pour alimenter votre produit. Le câble de la rallonge électrique doit porter la mention "H05 RN F" ou "H05 VV F". Vérifiez le bon état de la rallonge avant chaque utilisation, déroulez-la toujours lorsque vous l'utilisez afin d'éviter qu'elle ne surchauffe. Remplacer les rallonges endommagées par des références équivalentes. Ne pas réparer les rallonges endommagées.
- Pour ne pas endommager les rallonges et risquer un contact avec des pièces sous tension, tenir les rallonges éloignées des pièces dangereuses.
- Assurez-vous que le câble chemine de façon qu'il ne puisse pas être coupé et que l'on ne puisse pas marcher dessus ou se prendre les pieds dedans, et qu'il ne peut pas être forcé ou endommagé.
- Ne soulevez et ne transportez jamais le produit en le tenant par son câble d'alimentation.
- Ne débranchez jamais le câble d'alimentation en tirant dessus.
- Gardez le câble d'alimentation éloigné de la chaleur, des graisses et des bords coupants.
- Assurez-vous que la tension secteur est adaptée à votre produit. La tension de service est indiquée sur la plaque signalétique présente sur le produit. Ne branchez jamais le produit sur une source de courant dont la tension est différente de sa tension nominale.

- Toujours vérifier que le cordon reliant la barre de commande au corps du scarificateur n'est jamais coincé, pincé ou autrement endommagé lors de l'assemblage ou du pli de la poignée. Ne jamais mettre le produit sous tension si le câble est endommagé. Confier l'entretien du produit à un centre d'entretien agréé.
- Une surconsommation temporaire provoque des variations de tension susceptibles d'affecter les autres appareils électriques branchés sur la même ligne d'alimentation. Branchez le produit sur une source d'alimentation électrique dont l'impédance est inférieure ou égale à 0,452Ω (RY1400SF35A, RY1400SF35B) afin de minimiser les variations de tension. Contactez votre compagnie de distribution d'électricité pour de plus amples informations.

AVERTISSEMENT DE SÉCURITÉ RELATIF AU SCARIFICATEUR ET À L'AÉRATEUR ÉLECTRIQUES

- Les dents du produit sont tranchantes. Soyez particulièrement prudent et portez des gants solides lorsque vous mettez en place, remplacez, nettoyez ou vérifiez le bon serrage de ses boulons.
- Vérifier que l'ensemble des vis, écrous, boulons et autres fixations sont correctement fixées, et que les protections et les grilles sont en place. Remplacez toute étiquette endommagée ou illisible.
- Remplacez les éléments usés ou endommagés avant d'utiliser le produit.
- Installer le collecteur de débris avant de procéder à la scarification. Vider le collecteur de débris lorsqu'il est plein et le réinstaller avant de réutiliser la machine.
- Le produit doit être démarré avec l'utilisateur se tenant derrière le guidon dans la zone de sécurité de l'opérateur. Ne démarrez jamais le produit si:
 - l'ensemble des quatre roues ne repose pas sur le sol
 - La chute d'évacuation des débris est exposée et n'est pas protégée par le collecteur de débris et e cache de chute d'évacuation des débris.
- N'utilisez jamais le produit si l'interrupteur Marche/Arrêt du guidon n'est pas en état de bien démarrer et arrêter le produit.
- Ne jamais verrouiller les interrupteurs de marche/arrêt en position de marche. Une telle action est extrêmement dangereuse.
- Ne faites pas forcer le produit. Il effectuera un meilleur travail dans de meilleures conditions de sécurité s'il est utilisé à la vitesse pour laquelle il a été conçu.
- Arrêter les dents lors du passage sur les surfaces gravillonnées.
- Soyez particulièrement prudent lors du changement de sens de rotation ou lorsque vous tirez le produit vers vous.
- Arrêter les dents si le produit doit être incliné à des fins de transport pour franchir des surfaces autres que de l'herbe, ainsi que pour amener le produit à la zone de travail et le ramener.
- Ne jamais utiliser le produit si les protections sont

EN
FR
DE
ES
IT
NL
PT
DA
SV
FI
NO
RU
PL
CS
HU
RO
LV
LT
ET
HR
SL
SK
BG
UK
TR



défectueuses, avec ou sans dispositifs de sécurité en place (ex. : déflecteurs et/ou collecteur de débris).

- Ne pas incliner le produit lors de la mise en marche du moteur, sauf si la machine doit être inclinée pour pouvoir démarrer. En cas de nécessité absolue, vous pouvez soulever uniquement la partie éloignée de l'opérateur. Veiller toujours à avoir les deux mains en position de fonctionnement avant de remettre la machine au sol.
- Mettre prudemment le produit sous tension en respect des instructions et maintenir les mains et les pieds éloignés des dents. Ne mettez pas vos pieds ou vos mains sous les pièces en rotation ou à leur proximité. Restez en permanence à l'écart de la trappe d'éjection.
- Ne transportez ni ne soulevez jamais le produit lorsque son moteur tourne.
- Tenir le cordon d'alimentation et la rallonge éloignés des dents.
- Arrêtez le produit et débranchez-le du secteur. Assurez-vous que tous les éléments en mouvement se sont bien arrêtés:
 - chaque fois que vous laissez le produit sans surveillance (y-compris lorsque vous videz le bac de ramassage de l'herbe) ;
 - avant de nettoyer un blocage ou de décolmater la goulotte d'éjection ;
 - avant de travailler sur le produit, de le vérifier ou de le nettoyer
 - après avoir heurté un objet étranger ; vérifiez l'absence de dommages sur l'appareil et effectuez les éventuelles réparations nécessaires avant de redémarrer la machine et de l'utiliser.
- Si le bruit commence à vibrer de manière anormale, effectuez immédiatement les tâches suivantes :
 - vérifiez les dommages éventuels
 - remplacez ou réparez toute pièce endommagée
 - vérifiez l'absence d'éléments desserrés et resserrez-les au besoin
- Évitez trous, racines, monticules, pierres et autres objets cachés. Un terrain accidenté peut provoquer une glissade et une chute entraînant un accident.
- Relâcher immédiatement la barre de commande et se tenir à distance du produit dans les cas suivants :
 - le produit prend feu ;
 - la protection et/ou le boîtier est cassé ;
 - un son anormal retentit.
 - un accident ou une panne pourrait survenir

AVERTISSEMENT

S'assurer que les dents sont complètement immobilisées avant de retirer ou d'installer le collecteur de débris.

AVERTISSEMENT

Ne pas toucher les pièces dangereuses en mouvement avant d'avoir débranché le produit de l'alimentation électrique et avant l'arrêt complet des pièces dangereuses en mouvement.

SURCHARGE DU DISPOSITIF DE PROTECTION

Le produit possède un dispositif de protection contre la surcharge. Lorsqu'une surcharge est détectée, l'appareil s'éteint automatiquement. Si la protection de surcharge est activée, il faut laisser le moteur refroidir pendant 5 à 10 minutes.

Arrêtez le produit et débranchez-le du secteur. Les dents sont tranchantes, porter des gants de haute résistance avant de les toucher. S'assurer que les dents peuvent tourner librement, qu'elles ne sont pas bloquées ou entravées.

Lorsque le moteur a refroidi, brancher la prise à l'alimentation et mettre le produit sous tension. Appuyez sur le bouton Start (Démarrage) puis sur le bouton On-off (marche-arrêt) pour démarrer le produit. Si le produit ne démarre toujours pas, le confier à un centre d'entretien agréé à des fins d'entretien.

CONSEILS GÉNÉRAUX EN MATIÈRE DE SCARIFICATION

- Ajuster la profondeur de coupe en fonction des besoins de votre pelouse et de la longueur de l'herbe.
- Tondre la pelouse et appliquer un composant anti-mousse une semaine avant de scarifier la pelouse si celle-ci présente des problèmes de mousse.
- Arroser la pelouse plusieurs jours avant de procéder à la scarification afin de veiller à ce que celle-ci soit humide, mais pas détrempée.

TRANSPORT ET STOCKAGE

- Débarrassez l'appareil de tous les corps étrangers. Rangez le produit dans un endroit frais, sec et correctement ventilé, hors de portée des enfants. Ne le rangez pas à proximité d'agents corrosifs tels que des produits chimiques de jardinage ou des sels de dégel. Ne le rangez pas à l'extérieur.
- Pour le transport, attachez le produit pour l'empêcher de bouger ou de tomber, afin d'éviter toute blessure et tout dommage matériel.

AVERTISSEMENT

Soyez particulièrement prudent lorsque vous inclinez ou soulevez la machine pour l'entretenir, la nettoyer, la ranger ou la transporter. Les dents sont tranchantes. Tenir tous les membres du corps à distance des dents lorsque celles-ci sont exposées.

ENTRETIEN

AVERTISSEMENT

N'utilisez que des pièces détachées et accessoires d'origine constructeur. Le non-respect de cette précaution peut entraîner de mauvaises performances, des blessures, et annuler votre garantie.

⚠ AVERTISSEMENT

Les opérations d'entretien demandent un soin et des connaissances extrêmes et ne doivent être effectuées que par un technicien de service qualifié. Confier l'entretien du produit à un centre d'entretien agréé. N'utilisez que des pièces détachées identiques pour effectuer les réparations.

- Lorsque le produit est arrêté à des fins d'entretien, d'inspection, de stockage ou de remplacement d'un accessoire, couper l'alimentation, déconnecter le produit de l'alimentation et s'assurer que toutes les pièces en mouvement sont complètement immobilisées. Laissez la machine refroidir avant toute vérification, tout réglage, etc. Effectuer minutieusement l'entretien du produit et le maintenir propre.
- Vérifier fréquemment que le collecteur de débris n'est pas usé, qu'il ne présente pas de trous et qu'il n'est pas détérioré.
- Vous pouvez effectuer les réglages et réparations décrits dans ce manuel. Pour les autres réparations, contactez un service après-vente agréé.
- Pour des raisons de sécurité, remplacez toute pièce usée ou endommagée. N'utilisez que des accessoires et pièces détachées d'origine.
- Après chaque utilisation, utilisez un chiffon propre et sec pour nettoyer le produit. Toute pièce endommagée doit être correctement remplacée ou réparée par un service après-vente agréé.
- Vérifiez régulièrement le bon serrage des écrous, vis et boulons pour que le produit soit toujours en bon état de fonctionnement.
- Lors du réglage du produit, veiller à ne pas se bloquer les doigts entre les dents en mouvement et les parties fixes du produit.
- Lors de l'entretien des dents, être conscient du fait que, même si la source d'alimentation est désactivée, les dents peuvent toujours être déplacées.
- Les dents du produit sont tranchantes. Soyez particulièrement prudent et portez des gants solides lorsque vous mettez en place, remplacez, nettoyez ou vérifiez le bon serrage de ses boulons.

RETIRER LES BLOCAGES

- Arrêtez le produit et débranchez-le du secteur.
- Portez toujours des gants de protection épais lorsque vous vérifiez et dégagez un blocage. Les dents sont tranchantes. Le blocage peut être provoqué par un objet tranchant.
- Retirer le collecteur de débris, vérifier et éliminer prudemment les obstructions.
- Vérifiez la chute de décharge de l'herbe du point de vue des blocages et dégagez toute obstruction soigneusement.
- Tourner le produit sur le côté, vérifier sa partie inférieure et la zone autour de la lame. Retirer soigneusement tout éventuel blocage.

RISQUES RÉSIDUELS

Même lorsque le produit est utilisé selon les prescriptions, il reste impossible d'éliminer totalement certains facteurs de risque résiduels. Les dangers suivants risquent de se présenter en cours d'utilisation et l'utilisateur doit prêter particulièrement garde à ce qui suit:

- Blessures dues aux vibrations
 - Utilisez toujours l'outil adapté au travail à effectuer. Utiliser les poignées prévues à cet effet. Limiter la durée de travail et l'exposition.
- Blessures dues au bruit.
 - L'exposition au bruit peut provoquer des pertes d'audition. Portez une protection auditive et limitez le temps d'exposition
- risque de blessures en cas de contact avec les dents
- Blessure causée par des objets projetés.

RÉDUCTION DES RISQUES

Il a été reporté que les vibrations engendrées par les outils tenus à la main peuvent contribuer à l'apparition d'un état appelé le syndrome de Raynaud chez certaines personnes. Les symptômes peuvent comprendre des fourmillements, un engourdissement et un blanchiment des doigts, généralement par temps froid. Des facteurs héréditaires, l'exposition au froid et à l'humidité, le régime alimentaire, le tabagisme et les habitudes de travail peuvent contribuer au développement de ces symptômes. Certaines mesures peuvent être prises par l'utilisateur pour aider à réduire les effets des vibrations:

- Gardez votre corps au chaud par temps froid. Lorsque vous utilisez le produit, portez des gants afin de garder vos mains et vos poignets au chaud. Le temps froid est considéré comme un facteur contribuant très largement à l'apparition du Syndrome de Raynaud.
- Après chaque session de travail, pratiquez des exercices qui favorisent la circulation sanguine.
- Faites des pauses fréquentes. Limitez la quantité d'exposition journalière.

Si vous ressentez l'un des symptômes associés à ce syndrome, arrêtez immédiatement le travail et consultez votre médecin pour lui en faire part.

⚠ AVERTISSEMENT

L'utilisation prolongée d'un outil est susceptible de provoquer ou d'aggraver des blessures. Assurez-vous de faire des pauses de façon régulière lorsque vous utilisez tout outil de façon prolongée.

APPRENEZ À CONNAÎTRE VOTRE PRODUIT

Voir page 132.

1. Interrupteur
2. Poignées
3. Déclencheurs
4. Poignée supérieure
5. Molettes
6. Clé hexagonale
7. Dents
8. Roues arrière

9. Roues avant
10. Câble de raccord
11. Aérateur
12. Levier de réglage de hauteur de coupe
13. Trappe arrière
14. Collecteur de débris
15. Poignée intermédiaire
16. Câblage
17. Crochet pour câble

SYMBOLES APPLIQUES SUR LE PRODUIT



Alerte de sécurité



Veuillez lire attentivement le mode d'emploi avant de démarrer la machine.



Portez une protection auditive.



Portez une protection oculaire.



N'exposez pas ce produit à la pluie ou à des conditions humides.



Prenez garde à la projection d'objets au sol et dans les airs. Gardez tous les passants, en particulier les enfants et les animaux, éloignés d'au moins 15 m de distance de la zone de travail.



Attention aux dents tranchantes. Les dents continuent à tourner une fois le moteur éteint. Retirez la fiche de l'alimentation secteur avant de procéder à l'entretien ou en cas d'endommagement du cordon.



Gardez le câble électrique souple fourni à l'écart des fraises.



Largeur de travail : 35 cm



Classe II: La protection contre les décharges électriques repose sur une isolation double ou renforcée.



Les produits électriques hors d'usage ne doivent pas être jetés avec les ordures ménagères. Recyclez-les par l'intermédiaire des structures disponibles. Contactez les autorités locales ou votre distributeur pour vous renseigner sur les conditions de recyclage.



Cet outil est conforme à l'ensemble des normes réglementaires du pays de l'UE où il a été acheté.



Marque de qualité EurAsian



Ne travaillez pas dans des pentes supérieures à 15°. Utilisez le produit transversalement par rapport à la pente, jamais en la remontant ou en la descendant.



Marque de conformité ukrainienne



Le niveau de puissance acoustique garanti indiqué sur cette étiquette est de 100 dB.

SYMBOLES DE CE MANUEL



Pièces détachées et accessoires vendus séparément



Remarque



Avertissement

Les symboles suivants, et les noms qui leur sont associés, permettent d'expliquer les différents niveaux de risques liés à l'utilisation de cet outil.

⚠ DANGER

Imminence d'un danger qui, si l'on n'y prend garde, peut entraîner la mort ou des blessures graves.

⚠ AVERTISSEMENT

Situation potentiellement dangereuse qui, si l'on n'y prend garde, peut entraîner la mort ou des blessures graves.

⚠ ATTENTION

Situation potentiellement dangereuse qui, si l'on n'y prend garde, peut entraîner des blessures moyennes ou légères.

ATTENTION

Sans symbole d'alerte de sécurité
Indique une situation pouvant entraîner des dommages matériels.

Sicherheit, Leistung und Zuverlässigkeit hatten oberste Priorität bei der Entwicklung Ihres elektrisch betriebenen Vertikutierers oder Rasenlüfters.

BESTIMMUNGSGEMÄSSE VERWENDUNG

Der elektrisch betriebene Vertikutierer oder Rasenlüfter ist ausschließlich zur Nutzung im Freien geeignet. Beim Vertikutieren bzw. Lüften sollten alle vier Räder den Boden berühren.

Das Gerät ist mit Zinken ausgestattet und wurde zum Vertikutieren des Rasens im Privatgebrauch konzipiert.

Das Gerät ist mit einem Rasenlüfterzubehör ausgestattet und wurde zum Erzeugen von Löchern im Boden konzipiert, wodurch die Bodenverdichtung verringert wird.

Das Gerät ist ein von einem Fußgänger zu kontrollierender netzabhängiger Rasenvertikutierer, der von Hand geschoben wird. Das Gerät darf weder gezogen noch zum Reiten genutzt werden. Es sollte nur zum Schneiden von Hausrasen benutzt werden.

Es darf zu keinen anderen Zwecken verwendet werden.

ALLGEMEINE SICHERHEITSHINWEISE FÜR ELEKTROWERKZEUGE

⚠ WARNUNG

Die Sicherheitsregeln müssen befolgt werden, wenn dieses Produkt benutzt wird. Lesen Sie für Ihre eigene Sicherheit und die von Außenstehenden diese Anweisungen, bevor Sie das Produkt benutzen. Bitte bewahren Sie die Anweisungen zum späteren Nachschlagen auf.

SICHERHEIT VON PERSONEN

- Das Produkt ist in der Lage Hände und Füße zu amputieren und Gegenstände zu schleudern. Sollten Sie diese Hinweise nicht beachten, so kann dies schwere Personenschäden hervorrufen bis hin zum Tod.
- Machen Sie sich mit den Bedienelementen und dem ordnungsgemäßen Gebrauch des Produktes vertraut.
- Erlauben Sie niemals Kinder oder Personen mit verminderten physischen, geistigen oder sensorischen Fähigkeiten oder Personen, die mit diesen Anweisungen nicht vertraut sind, das Produkt zu bedienen, reinigen oder zu warten. Die lokale Gesetzgebung regelt das Mindestalter des Benutzers. Kinder müssen ausreichend beaufsichtigt werden, so dass gewährleistet ist, dass sie nicht mit dem Produkt spielen.
- Bleiben Sie wachsam, achten Sie auf das was Sie tun und verwenden Sie bei der Benutzung des Gerätes Ihren gesunden Menschenverstand. Benutzen Sie das Gerät nicht wenn Sie müde sind oder unter dem Einfluss von Alkohol, Drogen oder Medikamenten stehen. Ein unkonzentrierter Moment während der Bedienung der Maschine kann zu schweren Verletzungen führen.
- Tragen Sie lange, schwere Hosen, Kleidung mit langen Ärmeln und rutschfeste Stiefel. Keine kurze Hosen, Sandalen tragen oder barfuß arbeiten. Vermeiden Sie lockere Kleidung oder Kleidung mit Schnüren oder Bändern zu tragen.
- Tragen Sie eine Schutz- oder Sicherheitsbrille mit Seitenschutz.
- Vermeiden Sie eine abnormale Körperhaltung. Achten Sie immer auf einen festen Stand, besonders bei der Arbeit an Hängen. Sorgen Sie für einen sicheren Stand und halten Sie das Gleichgewicht. Gehen Sie immer, laufen Sie nie.
- Benutzen Sie das Produkt quer entlang von Hängen, niemals nach oben und unten. Seien Sie extrem vorsichtig, wenn Sie auf Hängen die Räumrichtung wechseln.
- Verwenden Sie das Produkt nicht am Rand von Abhängen, Gräben, übermäßigen Steigungen oder Böschungen. Ein unsicherer Stand kann zum Ausrutschen und dadurch zu Unfällen führen.

ARBEITSPLATZSICHERHEIT

- Benutzen Sie nicht das Produkt, wenn andere Personen, insbesondere Kinder, in der Nähe sind.
- Durch die Zinken des Vertikutierers in die Luft geschleuderte Gegenstände können schwere Verletzungen verursachen. Untersuchen Sie den Bereich, in dem die Maschine verwendet werden soll, gründlich und entfernen Sie alle Steine, Stöcke, Metall, Draht, Knochen, Spielzeug oder andere fremde Objekte.
- Mähen Sie immer im Tageslicht oder bei guter künstlicher Beleuchtung.
- Betreiben Sie die Maschine nicht in einer explosiven Atmosphäre, wie in der Umgebung von brennbaren Flüssigkeiten, Gasen oder Staub. Das Produkt erzeugt Funken, die den Staub oder die Dämpfe entzünden können.
- Betreiben Sie das Produkt nicht in nassem Gras oder im Regen.
- Betreiben Sie diese Maschine nicht auf gepflastertem Untergrund oder Schotter, wo ausgeworfenes Material zu Verletzungen führen könnte.
- Betreiben Sie das Gerät ausschließlich auf ebenen Böden und mit beiden Händen, wobei sich der Bediener hinter dem Griff befindet.
- Benutzen Sie den Vertikutierer nicht bei schlechtem Wetter, vor allem nicht bei Gefahr eines Gewitters.
- Vergessen Sie nie, dass der Benutzer verantwortlich ist für Unfälle und Gefahren, die an Eigentum Fremder oder an anderen Personen entstehen könnte.
- Es können schwere Unfälle entstehen, wenn der Benutzer die Anwesenheit von Kindern nicht beachtet. Nehmen Sie nicht an, dass Kinder sich dort aufhalten werden, wo Sie sie zuletzt gesehen haben.
- Halten Sie die Kinder von der Mähumgebung entfernt und unter Aufsicht eines Erwachsenen, der nicht der Bediener ist. Seien Sie wachsam und schalten Sie das Produkt aus, wenn ein Kind die Umgebung betritt.
- Seien Sie vorsichtig, wenn Sie sich blinden Ecken, Sträuchern, Bäumen, überhängenden Buschwerke oder anderen Objekten nähern, die Ihre Sicht beeinträchtigen könnten.

EN
FR
DE
ES
IT
NL
PT
DA
SV
FI
NO
RU
PL
CS
HU
RO
LV
LT
ET
HR
SL
SK
BG
UK
TR

ELEKTRISCHE SICHERHEIT

- Der Anschlussstecker des Elektrowerkzeuges muss in die Steckdose passen. Der Stecker darf in keiner Weise verändert werden. Verwenden Sie keine Adapterstecker gemeinsam mit schutzgeerdeten Elektrowerkzeugen. Unveränderte Stecker und passende Steckdosen verringern das Risiko eines elektrischen Schlages!
- Unterlassen Sie unbeabsichtigtes Starten des Gerätes. Überprüfen Sie immer, dass der Schalter sich in der AUS-Position befindet, bevor Sie das Produkt an die Stromversorgung anschließen. Tragen Sie kein Gerät, welches an die Stromversorgung angeschlossen ist, mit dem Finger am Schalter herum
- Vermeiden Sie Körperkontakt mit geerdeten Oberflächen wie von Rohren, Heizungen, Herden und Kühlschränken. Es besteht ein erhöhtes Risiko durch elektrischen Schlag, wenn Ihr Körper geerdet ist.
- Halten Sie Elektrowerkzeuge von Regen oder Nässe fern. Das Eindringen von Wasser in ein Elektrowerkzeug erhöht das Risiko eines elektrischen Schlages.
- Die Stromversorgung sollte über eine Fehlerstromschutzeinrichtung mit einem Auslösestrom von nicht mehr als 30 mA angeschlossen werden.
- Prüfen Sie vor der Benutzung Netz- und Verlängerungskabel auf Anzeichen von Beschädigung und Alterung. Trennen Sie das Kabel unverzüglich von der Stromversorgung, falls es während des Gebrauchs beschädigt werden sollte. Beschädigte Kabel können zu Kontakt mit stromführenden Teilen führen. **Berühren Sie das Kabel nicht, bevor Sie das Stromzufuhr getrennt haben.** Verwenden Sie die Maschine nicht, falls das Kabel beschädigt oder abgenutzt ist.
- Wenn das Stromkabel beschädigt ist, sollte es von einer fachlich qualifizierten Person durch einen neuen Kabelsatz, der vom Hersteller erhältlich ist, ersetzt werden. Das Nichteinhalten dieser Anweisung kann schwere Personenschäden zur Folge haben, einschließlich Tod durch Stromschlag.
- Wenn Sie ein Verlängerungskabel benutzen müssen, stellen Sie sicher, dass es für den Einsatz im Freien geeignet ist und ausreichend für die Strombelastung Ihres Werkzeugs ist. Das Verlängerungskabel sollte entweder mit "H05 RN F" oder "H05 VV F" gekennzeichnet sein. Überprüfen Sie es vor jeder Benutzung auf Schäden, wickeln Sie es während der Benutzung ab, weil aufgerollte Kabel überhitzen können. Ersetzen Sie beschädigte Verlängerungskabel durch Verlängerungskabel des gleichen Typs. Reparieren Sie keine beschädigten Verlängerungskabel.
- Achten Sie darauf, Verlängerungskabel von den gefährlichen beweglichen Teilen fernzuhalten, um Schäden am Kabel zu vermeiden, die zum Kontakt mit stromführenden Teilen führen können.
- Stellen Sie sicher, dass das Netzkabel so liegt, dass es nicht von dem Schneidwerkzeug beschädigt wird, man nicht darauf tritt, darüber stolpert, oder es auf andere Weise Beschädigungen und Belastungen ausgesetzt wird.
- Benutzen Sie niemals das Netzkabel, um das Produkt aufzuheben oder zu tragen.

- Ziehen Sie niemals das Netzkabel um die Stromversorgung zu trennen.
- Halten Sie das Netzkabel fern von Hitze, Öl, und scharfen Kanten.
- Stellen Sie sicher, dass die Spannung für Ihr Produkt richtig ist. Ein Typenschild auf dem Produkt zeigt die Spannung des Produktes an. Schließen Sie das Produkt niemals an eine andere als diese Gleichstromspannung an.
- Stellen Sie immer sicher, dass das von der Griffstange zum Gehäuse des Vertikutierers führende Kabel bei der Montage und beim Einklappen der Griffstange nicht eingeklemmt, zusammengedrückt oder anderweitig beschädigt wird. Stellen Sie niemals eine Verbindung zur Stromversorgung her, wenn das Kabel beschädigt ist. Lassen Sie das Gerät nur von einem autorisierten Servicecenter warten.
- Eine Spannungsspitze kann Spannungsschwankungen verursachen und andere elektrische Produkte an der selben Stromleitung beeinflussen. Schließen Sie das Produkt an eine Stromversorgung mit einer Impedanz von 0,452Ω (RY1400SF35A, RY1400SF35B) an, um die Spannungsschwankungen zu minimieren. Kontaktieren Sie Ihren Stromlieferanten für weitere Erklärungen.

SICHERHEITSHINWEISE ZUM ELEKTRISCH BETRIEBENEN VERTIKUTIERER UND RASENLÜFTER

- Die Zinken am Gerät sind scharf. Seien Sie vorsichtig und tragen Sie feste Schutzhandschuhe, wenn Sie etwas montieren, austauschen, reinigen oder den Sitz von Schrauben überprüfen.
- Prüfen Sie, ob alle Schrauben, Muttern, Bolzen und andere Verschlüsse ordnungsgemäß gesichert und Schutzvorrichtungen und Sortierer angebracht sind. Ersetzen Sie beschädigte oder unleserliche Etiketten.
- Ersetzen Sie abgenutzte oder beschädigte Teile, bevor Sie das Produkt in Betrieb nehmen.
- Installieren Sie vor dem Vertikutieren den Auffangbehälter für Schmutz. Leeren Sie den Auffangbehälter für Schmutz, wenn er voll ist, und bringen Sie ihn erneut an, bevor Sie das Gerät wieder einschalten.
- Das Produkt darf nur gestartet werden, während der Benutzer sich hinter dem Griff in dem sicheren Bereich für den Benutzer befindet. Starten Sie das Produkt niemals, wenn:
 - Nicht alle vier Räder auf dem Boden stehen.
 - Der Auswurfkanal für Schmutz liegt offen und wird vom Auffangbehälter für Schmutz und der Abdeckung des Auswurfkanals nicht geschützt.
- Betreiben Sie das Produkt niemals, wenn der An-/Ausschalter am Handgriff das Produkt nicht ordnungsgemäß an- oder ausschaltet.
- Versuchen Sie niemals den An-/Ausschalter in der AN Position zu verriegeln; das ist extrem gefährlich.
- Betätigen Sie das Produkt nicht mit Gewalt. Es wird die Arbeit mit der Geschwindigkeit, für die es ausgelegt wurde, besser und sicherer erledigen.



- Halten Sie die Zinken beim Überqueren von Kiesoberflächen an.
- Seien Sie äußerst vorsichtig, wenn Sie sich rückwärts bewegen, oder das Produkt zu sich ziehen.
- Halten Sie die Zinken an, wenn das Gerät zum Transport über andere Böden als Gras gekippt werden muss und wenn Sie das Gerät zum und vom Arbeitsbereich transportieren.
- Benutzen Sie das Gerät niemals, wenn Schutzvorrichtungen oder Schilder beschädigt sind, oder ohne Sicherheitssysteme, z. B. Prallbleche und/oder Auffangbehälter für Schmutz.
- Kippen Sie das Gerät beim Einschalten des Motors nicht, es sei denn, das Gerät muss zum Starten gekippt werden. Wenn dies absolut notwendig ist, kann der vom Bediener abgewandte Teil angehoben werden. Stellen Sie immer sicher, dass sich beide Hände in der Betriebshaltung befinden, bevor Sie das Gerät auf den Boden stellen.
- Schalten Sie das Gerät vorsichtig gemäß der Anleitung ein und halten Sie die Hände und Füße von den Zinken fern. Halten Sie Ihre Hände oder Füße nicht in die Nähe von oder unter rotierende Teile. Halten Sie den Bereich der Auswurföffnung stets frei.
- Heben oder tragen Sie niemals das Produkt mit laufendem Motor.
- Halten Sie Stromversorgungs- und Verlängerungskabel außer Reichweite der Zinken.
- Schalten Sie das Produkt aus und trennen es von der Stromversorgung. Stellen Sie sicher, dass alle bewegenden Teile vollständig angehalten sind:
 - Immer wenn Sie das Produkt unbeaufsichtigt zurücklassen (einschließlich wenn Sie den Grasschnitt entsorgen).
 - Bevor Sie eine Blockierung entfernen oder die Auswurföffnung reinigen
 - Bevor Sie das Produkt prüfen, reinigen oder daran arbeiten,
 - Nachdem Sie einen Fremdkörper getroffen haben; überprüfen Sie das Gerät auf Schäden und führen alle notwendigen Reparaturen durch, bevor Sie das Produkt wieder starten.
- Wenn das Produkt anfängt, ungewöhnlich zu vibrieren, sofort überprüfen um:
 - überprüfen Sie das Produkt auf Schäden
 - beschädigte Teile zu ersetzen oder reparieren
 - zu überprüfen, ob Teile locker sind und sie festzuziehen, wenn erforderlich
- Vermeiden Sie Löcher, Furchen, Unebenheiten, Steine oder sonstige versteckte Objekte. Unebenes Terrain birgt eine Rutsch- und Unfallgefahr.
- Lassen Sie den Griff sofort los und halten Sie sich vom Gerät fern, wenn:
 - das Gerät Feuer fängt
 - der Schutz und/oder das Gehäuse kaputt ist
 - das Gerät ungewöhnliche Geräusche erzeugt
 - bei Unfällen oder Beschädigungen

⚠️ WARNUNG

Stellen Sie sicher, dass die Zinken vollständig stillstehen, bevor Sie den Auffangbehälter für Schmutz entfernen oder anbringen.

⚠️ WARNUNG

Berühren Sie keine sich noch bewegenden gefährlichen Teile, trennen Sie das Produkt zunächst von der Stromversorgung und warten Sie ab, bis alle gefährlichen Teile zum vollständigen Stillstand gekommen sind.

ÜBERLAST-SCHUTZEINRICHTUNG

Das Produkt hat eine Überlast-Schutzeinrichtung. Wenn eine Überlastung entdeckt wird, schaltet sich das Produkt automatisch aus. Wird die Überlastschutz ausgelöst wird, müssen Sie den Motor für 5-10 Minuten abkühlen lassen.

Schalten Sie das Produkt aus und trennen es von der Stromversorgung. Ziehen Sie Arbeitshandschuhe an, bevor Sie die Zinken berühren, da diese scharf sind. Stellen Sie sicher, dass sich die Zinken frei drehen können und nicht eingeklemmt oder locker sind.

Nachdem sich der Motor abgekühlt hat, stecken Sie den Stecker in die Steckdose und schalten Sie das Gerät ein. Drücken Sie den Startknopf und dann den An-/Ausschalter, um das Produkt zu starten. Wenn das Gerät nicht startet, lassen Sie es nur von einem autorisierten Servicecenter warten.

ALLGEMEINE TIPPS ZUM VERTIKUTIEREN

- Stellen Sie die Schnitttiefe entsprechend der Notwendigkeit für Ihren Rasen und der Graslänge ein.
- Wenn bei Ihrem Rasen ein Moosproblem aufgetreten ist, mähen Sie Ihren Rasen eine Woche, bevor Sie vertikutieren wollen, und tragen Sie einen Moosentferner auf.
- Gießen Sie Ihren Rasen einige Tage vor dem Vertikutieren, um sicherzustellen, dass Ihr Rasen feucht, aber nicht zu nass ist.

TRANSPORT UND LAGERUNG

- Entfernen Sie alle Fremdkörper vom Produkt. Lagern Sie das Produkt an einem kühlen, trockenen und gut belüfteten Ort, der Kindern keinen Zugang bietet. Von korrodierend wirkenden Stoffen, wie Gartenchemikalien und Enteisungssalzen, fernhalten. Nicht im Freien lagern.
- Sichern Sie die Maschine beim Transport gegen Bewegung oder Herunterfallen, um Verletzungen und Beschädigung der Maschine zu verhindern.

⚠️ WARNUNG

Seien Sie extrem vorsichtig, wenn Sie die Maschine zur Wartung, Reinigung oder den Transport anheben oder kippen. Die Zinken sind scharf, halten Sie bei freigelegten Zinken alle Körperteile fern.

- EN
- FR
- DE
- ES
- IT
- NL
- PT
- DA
- SV
- FI
- NO
- RU
- PL
- CS
- HU
- RO
- LV
- LT
- ET
- HR
- SL
- SK
- BG
- UK
- TR



WARTUNG UND PFLEGE

⚠️ WARNUNG

Verwenden Sie ausschließlich original Ersatzteile, Zubehör und Aufsätze des Herstellers. Nichtbefolgung kann mögliche Verletzungen oder schlechte Leistung verursachen und Ihre Garantie ungültig machen.

⚠️ WARNUNG

Service und Wartung des Gerätes erfordert besonderen Sorgfalt und Kenntnisstand und sollte nur durch qualifiziertes Personal durchgeführt werden. Lassen Sie das Gerät nur von einem autorisierten Servicecenter warten. Beim Service dürfen Sie nur originale Ersatzteile benutzen.

- Wenn das Gerät zwecks Wartung, Inspektion oder Aufbewahrung oder zum Wechseln eines Zubehörteils angehalten wird, schalten Sie die Stromversorgung aus, unterbrechen Sie die Stromversorgung und stellen Sie sicher, dass alle beweglichen Teile vollständig stillstehen. Lassen Sie die Maschine vor jeder Inspektion, Einstellung usw. abkühlen. Warten Sie das Gerät vorsichtig und halten Sie es sauber.
- Prüfen Sie den Schmutzfänger häufig auf Verschleiß, Löcher und Beschädigungen.
- Sie dürfen die in dieser Bedienungsanleitung beschriebenen Einstellungen und Reparaturen durchführen. Kontaktieren Sie Ihren autorisierten Kundendienst für andere Reparaturen.
- Ersetzen Sie aus Sicherheitsgründen abgenutzte oder beschädigte Teile. Verwenden Sie nur Original-Ersatzteile und Zubehör.
- Reinigen Sie das Produkt nach jeder Benutzung mit einem weichen, trockenen Lappen. Jedes beschädigte Teil muss durch den autorisierten Kundendienst ordnungsgemäß repariert oder ausgetauscht werden.
- Überprüfen Sie Bolzen, Muttern und Schrauben in regelmäßigen Abständen, ob sie alle fest angezogen sind, um somit sicherzustellen, dass das Produkt in einem sicheren Zustand ist.
- Seien Sie beim Einstellen des Geräts vorsichtig, um zu vermeiden, dass sich die Finger zwischen den sich bewegenden Zinken und den festen Teilen des Geräts verfangen.
- Beim Warten der Zinkenbaugruppe sollte Ihnen bewusst sein, dass sich die Zinkenbaugruppe bewegen kann, auch wenn die Energieversorgung abgeschaltet ist.
- Die Zinken am Gerät sind scharf. Seien Sie vorsichtig und tragen Sie feste Schutzhandschuhe, wenn Sie etwas montieren, austauschen, reinigen oder den Sitz von Schrauben überprüfen.

SIE EINE BLOCKIERUNG ENTFERNEN

- Schalten Sie das Produkt aus und trennen es von der Stromversorgung.
- Tragen Sie immer feste Schutzhandschuhe, wenn Sie eine Blockierung überprüfen und entfernen. Die Zinken sind scharf und die Blockade könnte durch einen scharfen Gegenstand entstanden sein.
- Entfernen Sie den Schmutzauffangbehälter, prüfen Sie ihn auf Hindernisse und entfernen Sie sie.
- Prüfen Sie den Grasauswurfkanal auf Blockaden und beseitigen Sie sie vorsichtig.
- Drehen Sie das Gerät auf die Seite und prüfen Sie die Unterseite und den Bereich um die Zinken. Wenn Sie Blockaden finden, entfernen Sie sie vorsichtig.

RESTRISIKEN

Sogar wenn das Produkt wie vorgeschrieben benutzt wird, ist es unmöglich ein gewisses Restrisiko vollständig zu beseitigen. Die folgenden Gefahren können bei der Benutzung entstehen, und der Benutzer sollte besonders auf folgende Punkte achten:

- Durch Vibrationen verursachte Verletzungen.
 - Verwenden Sie für jede Arbeit das immer richtige Werkzeug. Benutzen Sie die vorgesehenen Griffe. Schränken Sie die Arbeitszeit und Exposition ein.
- Durch Lärm verursachte Verletzungen.
 - Lärm kann zu Gehörschäden führen. Tragen Sie einen Gehörschutz und schränken Sie die Belastung ein.
- Verletzungen durch Kontakt mit den Zinken.
- Durch geschleuderte Objekte verursachte Verletzungen

RISIKOVERRINGERUNG

Vibrationen von in der Hand gehaltenen Werkzeugen können bei einigen Personen zu einem Zustand, der Raynaud-Syndrom genannt wird, führen. Symptome sind u.a. Kribbeln, Taubheitsgefühl und episodische Weißfärbung der Finger und treten normalerweise bei Kälte auf. Man geht davon aus, dass ererbte Faktoren, Kälte und Feuchtigkeit, Essgewohnheiten, Rauchen und Arbeitsweise zur Entwicklung dieser Symptome beitragen. Der Anwender kann Maßnahmen ergreifen, um die Auswirkungen der Vibrationen möglicherweise zu verringern:

- Halten Sie den Körper bei Kälte warm. Tragen Sie beim Betrieb des Produkts Handschuhe, um Hände und Handgelenke warm zu halten. Berichten zu Folge ist kaltes Wetter ein wesentlicher Faktor, der zum Raynaud Syndrom beiträgt.
- Betätigen Sie sich nach jedem Einsatz körperlich, um den Blutkreislauf zu steigern.
- Machen Sie regelmäßig Pausen. Beschränken Sie die Beanspruchung pro Tag.

Sollten bei Ihnen Symptome dieses Zustands auftreten, stellen Sie unverzüglich den Betrieb ein und suchen Sie in Hinsicht auf die Symptome einen Arzt auf.

⚠️ WARNUNG

Verletzungen können durch lange Benutzung eines Werkzeugs entstehen oder verschlimmert werden. Machen Sie regelmäßig Pause, wenn Sie ein Werkzeug für lange Zeit benutzen.

MACHEN SIE SICH MIT IHREM PRODUKT VERTRAUT

Siehe Seite 132.

1. Schaltknopf
2. Lenkergriffe
3. Abzugsbügel
4. Obere Lenkerstange
5. Knöpfe
6. Sechskantschlüssel
7. Zinken
8. Hinterräder
9. Vorderräder
10. Verlängerungskabel
11. Rasenlüfterzubehör
12. Höheneinstellungshebel
13. Hintere Klappe
14. Schmutzauffangbehälter
15. Mittlere Griffstange
16. Verkabelung
17. Kabelhaken

SYMBOLS AUF DEM PRODUKT



Sicherheitswarnung



Bitte lesen Sie die Anweisungen sorgfältig, bevor Sie das Gerät einschalten.



Tragen Sie einen Gehörschutz.



Tragen Sie einen Augenschutz.



Nicht Regen oder feuchten Bedingungen aussetzen.



Achten Sie auf geschleuderte oder fliegende Objekte. Halten Sie unbeteiligte Personen (insbesondere Kinder und Tiere) mindestens 15m vom Arbeitsbereich fern.



Vorsicht vor den scharfen Zinken. Die Zinken rotieren nach dem Abschalten des Motors weiter. Ziehen Sie den Stecker vor Wartungsarbeiten oder bei Beschädigungen des Kabels aus der Steckdose.



Halten Sie das Netzkabel von dem Zinken fern.



Funktioniert mit: 35 cm



Klasse II: Schutz gegen Stromschläge wird durch Doppelisolierung bzw. verstärkter Isolierung gewährt.



Elektrische Geräte sollten nicht mit dem übrigen Müll entsorgt werden. Bitte entsorgen Sie diese an den entsprechenden Entsorgungsstellen. Wenden Sie sich an die örtliche Behörde oder Ihren Händler, um Auskunft über die Entsorgung zu erhalten.



Dieses Gerät entspricht allen gesetzlichen Normen des Landes der Europäischen Union, in dem es gekauft wurde.



EurAsian Konformitätszeichen



Nicht auf Schrägen größer als 15° benutzen. Benutzen Sie das Produkt quer entlang von Hängen, niemals nach oben und unten.



Ukrainisches Prüfzeichen



Der auf diesem Etikett angegebene garantierte Schalldruckpegel beträgt 100 dB.

SYMBOLS IN DIESER BEDIENUNGSANLEITUNG



Teile oder Zubehör getrennt erhältlich



HINWEIS



WARNUNG

Mit den folgenden Symbolen wird die Bedeutung der verschiedenen Risikostufen, die mit dem Produkt einhergehen, dargestellt.

⚠️ GEFÄHR

Weist auf eine unmittelbare gefährliche Situation hin, die, falls nicht vermieden, zu Tod oder ernsthafter Verletzung führen kann.

 **WARNUNG**

Weist auf eine mögliche gefährliche Situation hin, die, falls nicht vermieden, zu Tod oder ernsthafter Verletzung führen kann.

 **VORSICHT**

Weist auf eine mögliche gefährliche Situation hin, die, falls nicht vermieden, zu einer leichten oder mittleren Verletzung führen kann.

VORSICHT

Ohne Sicherheitswarnsymbol

Bezeichnet eine Situation die zu Sachbeschädigungen führen kann.

La seguridad, el rendimiento y la fiabilidad han sido las máximas prioridades a la hora de diseñar este escarificador o aireador eléctrico.

USO PREVISTO

El escarificador o aireador eléctrico está diseñado exclusivamente para su uso al aire libre. Las cuatro ruedas deben estar en contacto con el suelo durante la escarificación o la aireación.

El producto está diseñado para la escarificación doméstica de césped tras el acoplamiento de las púas de escarificación.

El producto está diseñado para realizar orificios en el suelo y reducir así su compactación tras el acoplamiento del accesorio aireador.

El producto es un escarificador de césped eléctrico con conductor a pie, diseñado para ser empujado manualmente. Está prohibido tirar del producto o subirse encima de él. No debe usarse para cortar otra cosa que no sea césped o hierba doméstica.

No lo use para ninguna otra finalidad.

ADVERTENCIAS GENERALES DE SEGURIDAD DE LA HERRAMIENTA ELÉCTRICA

⚠ ADVERTENCIA

Al utilizar el producto, deben seguirse las normas de seguridad. Por su propia seguridad y la de los que le rodean, lea estas instrucciones antes de utilizar el producto. Guarde las instrucciones para usarlas en el futuro.

SEGURIDAD PERSONAL

- El producto puede amputar manos y pies, además de arrojar objetos. El no cumplir con todas las instrucciones de seguridad podrá causar lesiones serias o la muerte.
- Familiarícese con los controles y el uso adecuado del producto.
- Nunca permita que los niños o las personas con discapacidad física, sensorial o mental, o que no estén familiarizadas con estas instrucciones, operen, limpien ni realicen el mantenimiento del aparato. Las regulaciones locales pueden restringir la edad del operario. Los niños deben estar adecuadamente supervisados para asegurarse de que no juegan con el producto.
- Manténgase alerta, observe lo que está haciendo y use el sentido común cuando utilice el aparato. No utilice este aparato si está cansado o si se encuentra bajo la influencia de drogas, alcohol o medicamentos. Un lapso en la concentración mientras utiliza la unidad puede resultar en lesiones personales graves.
- Use pantalones largos y gruesos, manga larga y calzado resistente y antideslizante. No use pantalones cortos ni sandalias, ni vaya descalzo. Evite usar ropa suelta o de la que cuelguen cordones o lazos.
- Siempre use gafas de seguridad con protectores laterales.

- No se extienda demasiado. Asegúrese siempre de mantener el equilibrio y de no situarse en pendientes. Mantenga su pisada firme y su equilibrio. Camine, nunca corra.
- Utilice el aparato en la superficie de cuestras, nunca hacia arriba ni abajo. Tenga mucho cuidado cuando cambie de dirección en las cuestras.
- No utilice el aparato cerca de zonas descendentes, zanjas, pendientes excesivamente pronunciadas o terraplenes. Una mala pisada podrá causar resbalones y accidentes de caídas.

ZONA DE TRABAJO

- No haga funcionar la máquina mientras haya cerca personas, especialmente niños, o animales.
- Los objetos atascados en las púas del escarificador pueden provocar lesiones graves a las personas. Inspeccione cuidadosamente el área donde va a utilizarse la herramienta y retire todas las rocas, palos, metales, alambres, huesos, juguetes u otros objetos extraños.
- Utilice el aparato sólo con luz diurna o con una buena luz artificial.
- No utilice la máquina en entornos inflamables, como puede ser en presencia de líquidos inflamables, gases o polvo. La herramienta puede crear chispas que pueden encender polvo o gases.
- No utilice la máquina en hierba mojada o bajo la lluvia.
- No haga funcionar la máquina en una superficie pavimentada o con grava donde el material eyectado pueda causar lesiones.
- Utilice el producto solamente sobre una superficie nivelada mediante el uso de las dos manos, con el usuario situado detrás del manillar de control.
- Evite el uso del escarificador si las condiciones meteorológicas son adversas, especialmente si hay riesgo de tormenta eléctrica.
- Tenga presente que el operario o usuario es responsable de los accidentes o riesgos que le puedan ocurrir a otras personas o a su propiedad.
- Los accidentes trágicos pueden ocurrir si el operario no está alerta de la presencia de niños. Nunca asuma que los niños permanecerán donde los vio por última vez.
- Mantenga a los niños alejados de la zona de siega y bajo la cuidadosa supervisión de un adulto responsable distinto del operario. Esté alerta y apague el producto si un niño se acerca a la zona.
- Ponga especial cuidado cuando se acerque a ángulos ciegos, arbustos, árboles u otros obstáculos, como arbustos colgantes, que puedan impedir su visibilidad.

SEGURIDAD ELÉCTRICA

- Los enchufes deben ser adecuados para la toma de corriente. No modifique el enchufe de ninguna manera. No utilice ningún adaptador con herramientas eléctricas conectadas a tierra. Utilizar enchufes sin modificar y tomas correspondientes reducirán el riesgo de descargas eléctricas.
- Evite el arranque no intencionado. Compruebe siempre que el interruptor está en la posición OFF antes de

EN
FR
DE
ES
IT
NL
PT
DA
SV
FI
NO
RU
PL
CS
HU
RO
LV
LT
ET
HR
SL
SK
BG
UK
TR

conectar el producto a la fuente de alimentación. No lleve un producto enchufado con su dedo en el interruptor.

- Evite el contacto corporal con superficies conectadas a tierra, como tuberías, radiadores, estufas y refrigeradores. Existe un mayor riesgo de descargas eléctricas si su cuerpo está conectado a tierra.
- No exponga este producto a la lluvia o humedad. Si entra agua en el aparato, esto aumentará el riesgo de descargas eléctricas.
- El suministro eléctrico debería efectuarse mediante un dispositivo de corriente residual (RDC) con una corriente activa no superior a 30 mA.
- Antes de utilizarla, compruebe que los cables de suministro y de extensión no estén dañados o gastados. Si el cable resulta dañado durante el uso, desconecte el cable de la fuente de alimentación de inmediato. Los cables dañados pueden provocar el contacto con piezas en funcionamiento. **No toque el cable antes de desconectar la corriente.** No utilice la máquina si el cable está dañado o gastado.
- Si el cable de alimentación está dañado, debe sustituirlo un profesional cualificado para ello por un nuevo conjunto de cables proporcionado por el fabricante. Si no sigue esta indicación podría provocar lesiones graves tanto a usted como a otros, incluyendo la electrocución.
- Si necesita utilizar una extensión, compruebe que es adecuada en uso en el exterior y que tiene una capacidad de corriente suficiente para alimentar el aparato. El cable de prolongación deberá llevar la marca "H05 RN F" o "H05 VV F". Antes de cada utilización inspeccione el aparato para comprobar la existencia de daños; desenrolle siempre el cable durante la utilización porque los cables enrollados pueden sobrecalentarse. Sustituya los cables prolongadores dañados por otros similares. No repare los cables prolongadores dañados.
- Asegúrese de mantener los cables prolongadores alejados de piezas móviles peligrosas para evitar daños en los cables, lo que podría provocar el contacto con piezas en funcionamiento.
- Asegúrese de que el cable de alimentación está situado de tal manera que no puede dañarse por cortes y no se pisará, estorbará ni estará sometido a daños o molestias.
- No coja ni lleve el producto por el cable eléctrico.
- No tire del cable de alimentación para desconectarlo del suministro eléctrico.
- Mantenga el cable eléctrico lejos de fuentes de calor, aceite y bordes afilados.
- Asegúrese de que el voltaje es adecuado para su producto. Una placa de identificación en el producto indica el voltaje del producto. No conecte el producto a un voltaje de CA que no se corresponda con su voltaje.
- Asegúrese siempre de que el cable que va del manillar al cuerpo del escafificador no se quede nunca atrapado, pellizcado, ni que sufra ningún otro tipo de daño durante el montaje o el plegado del manillar. No aplique nunca alimentación eléctrica al producto si el

cable está dañado. Solicite la reparación del producto únicamente en un centro de servicio autorizado.

- Un pico de potencia origina fluctuaciones de tensión que pueden afectar a otros productos eléctricos en la misma línea de alimentación. Conectar el producto a una fuente de alimentación con una impedancia igual o inferior a 0,452Ω (RY1400SF35A, RY1400SF35B) para minimizar las fluctuaciones de tensión. Para más aclaración, contacte con su proveedor de energía eléctrica.

ADVERTENCIAS DE SEGURIDAD DEL ESCARIFICADOR Y AIREADOR ELÉCTRICO

- Las púas del producto están afiladas. Tenga cuidado y use guantes pesadas al encajar, substituir, limpiar o comprobar el tornillo de seguridad.
- Compruebe que todos los tornillos, tuercas, pernos y otros elementos de fijación estén debidamente asegurados y que las protecciones y pantallas se encuentren en su posición. Reemplace las etiquetas ilegibles o dañadas.
- Sustituya las partes gastadas o dañadas antes de poner el aparato en funcionamiento.
- Instale el colector de residuos antes de iniciar la escafificación. Vacíe el colector de residuos cuando esté lleno y vuelva a instalarlo antes de reanudar el funcionamiento del producto.
- El producto debe encenderse con el usuario situado detrás del manillar, en la zona de seguridad del operario. Nunca encienda el producto si:
 - las cuatro ruedas no están sobre el suelo
 - el canal de descarga de residuos está expuesto y no está protegido por el colector de residuos ni por la cubierta del canal de descarga de residuos.
- Nunca utilice el producto si el interruptor de encendido/apagado situado en el manillar no enciende y apaga el producto de forma correcta.
- No bloquee nunca los interruptores de encendido/apagado en la posición de encendido; esta acción es extremadamente peligrosa.
- No fuerce el producto. Realizará un trabajo mejor y más seguro a la velocidad para la que ha sido diseñada.
- Detenga el funcionamiento de las púas cuando atraviese superficies con grava.
- Extreme las precauciones al girar o tirar del producto hacia usted.
- Detenga el funcionamiento de las púas si el producto se debe inclinar para su transporte por superficies que no sean de césped, y cuando transporte el producto hacia o desde la zona de trabajo.
- No utilice nunca el producto con protecciones defectuosas, ni tampoco sin los dispositivos de seguridad, como los deflectores y el colector de residuos, en su posición.
- No incline el producto cuando ponga en marcha el motor, salvo si fuera necesario inclinar la máquina para arrancarla. Si fuera absolutamente necesario, puede inclinar solamente la parte que está más alejada del usuario. Asegúrese siempre de que las dos manos se

encuentren en la posición de funcionamiento antes de volver a colocar la máquina en el suelo.

- Encienda el producto cuidadosamente, conforme a las instrucciones, y no acerque las manos ni los pies a las púas. No coloque las manos o los pies cerca o debajo de las piezas giratorias. Manténgase alejado de la apertura de descarga en todo momento.
- Nunca levante ni transporte el aparato con el motor en marcha.
- Mantenga el cable de alimentación y el cable prolongador alejado de las púas.
- Apague el producto y desconéctelo de la fuente de alimentación. Asegúrese de que todas las partes móviles se han detenido por completo:
 - Siempre que deje el producto sin vigilancia (incluso mientras tira los restos de hierba).
 - antes de limpiar una obstrucción o desatascar el canal de descarga
 - antes de inspeccionar, limpiar o trabajar con el producto
 - después de alcanzar un objeto extraño, inspeccione el aparato para comprobar si se han producido daños y realizar reparaciones, en caso necesario, antes de reiniciar y utilizar la máquina.
- Si el producto empieza a vibrar de manera extraña, inmediatamente:
 - inspeccionar los daños
 - cambie o repare las piezas dañadas
 - revise y apriete las piezas sueltas
- Evite los agujeros, surcos, resaltos, rocas u otros objetos ocultos. El terreno desigual puede causar resbalones y accidentes de caídas.
- Suelte el manillar inmediatamente y aléjese del producto si:
 - se produce un incendio en el producto
 - la protección y/o la carcasa están rotas
 - se emite un ruido extraño
 - cualquier accidente o avería que se pueda producir

⚠ ADVERTENCIA

Asegúrese de que las púas estén totalmente paradas antes de retirar o instalar el colector de residuos.

⚠ ADVERTENCIA

No toque las piezas móviles peligrosas antes de desconectar el producto de la fuente de alimentación y de que se hayan detenido por completo.

DISPOSITIVO DE PROTECCIÓN FRENTE A SOBRECARGA

El producto tiene un dispositivo de protección frente a sobrecarga. Si se detecta sobrecarga, el producto se apagará automáticamente. Si el protector de sobrecarga está activado, se debe dejar enfriar el motor durante 5 o 10 minutos.

Apague el producto y desconéctelo de la fuente de alimentación. Las púas están afiladas, así que póngase unos guantes de trabajo resistentes antes de tocarlas. Asegúrese de que las púas puedan girar libremente y que no estén atascadas o apretadas.

Cuando el motor se haya enfriado, conecte el enchufe a la alimentación eléctrica y encienda el producto. Pulse el botón Start (arrancar) y, a continuación, el botón On/Off para arrancar el aparato. Si el producto no se pone en funcionamiento, solicite la reparación del producto únicamente a un centro de servicio autorizado.

CONSEJOS GENERALES PARA LA ESCARIFICACION

- Ajuste la profundidad de corte en función de las necesidades y longitud del césped.
- Corte el césped y aplique un producto antimusgo una semana antes de que vaya a utilizar el escarificador si su césped tiene un problema de musgo.
- Riegue el césped unos días antes de escarificarlo para asegurarse de que esté húmedo pero no excesivamente mojado.

TRANSPORTE Y ALMACENAMIENTO

- Limpie todo el material extraño que pueda permanecer en el producto. Guarde en una zona seca y bien ventilada, a la que no puedan acceder los niños. Almacene el producto lejos de agentes corrosivos como sales de deshielo y productos químicos de jardín. No guarde el producto a la intemperie.
- Para transportar el producto, sujételo de modo que no se mueva ni se caiga para evitar lesiones personales o daños al producto.

⚠ ADVERTENCIA

Tenga mucho cuidado al levantar o inclinar la máquina cuando realice operaciones de mantenimiento, limpieza, almacenamiento o transporte. Las púas están afiladas; mantenga todas las partes de su cuerpo alejadas de las púas mientras se encuentran expuestas.

MANTENIMIENTO

⚠ ADVERTENCIA

Utilice sólo piezas y accesorios de recambio originales del fabricante. Si no lo hace podría ocurrir un mal funcionamiento, podrían producirse daños o podría quedar anulada la garantía.

⚠ ADVERTENCIA

Las reparaciones requieren tener mucho cuidado y conocimiento y sólo debe realizarse por un técnico de servicio calificado. Solicite la reparación del producto únicamente en un centro de servicio autorizado. Utilice solo recambios originales del fabricante para las operaciones de mantenimiento.

- Cuando se detenga el producto para proceder a su mantenimiento, inspección, almacenamiento o sustitución de un accesorio, desactive la fuente de alimentación, desconecte el producto de la corriente eléctrica y asegúrese de que todas las piezas móviles se hayan detenido por completo. Deje que la máquina se enfríe antes de realizar inspecciones, ajustes, etc. Realice un mantenimiento cuidadoso del producto y límpielo.
- Compruebe frecuentemente el colector de residuos en busca de desgaste, orificios o deterioro.
- Usted puede realizar los ajustes y reparaciones descritos en este manual del usuario. Para otras reparaciones o consejos, busque la ayuda de un centro de servicio autorizado.
- Por seguridad, reemplace las piezas desgastadas o dañadas. Utilice únicamente piezas de repuesto y accesorios originales.
- Limpiar el producto con un paño suave seco después de cada uso. Cualquier pieza dañada debe ser sustituida o reparada adecuadamente por un centro de servicio autorizado.
- Verifique a intervalos frecuentes si todas las tuercas, pernos y tornillos están apretados apropiadamente para asegurarse de que el producto esté en buenas condiciones de trabajo.
- Extreme las precauciones durante el ajuste del producto para evitar que los dedos se queden atrapados entre las púas móviles y las piezas fijas del producto.
- Al realizar el mantenimiento del conjunto de las púas, recuerde que aunque la fuente de alimentación esté desactivada, el conjunto de las púas se puede mover.
- Las púas del producto están afiladas. Tenga cuidado y use guantes pesadas al encajar, substituir, limpiar o comprobar el tornillo de seguridad.

ELIMINAR OBSTRUCCIONES

- Apague el producto y desconéctelo de la fuente de alimentación.
- Use siempre guantes de protección para trabajo pesado en la comprobación y limpieza de una obstrucción. Las púas están afiladas y la obstrucción también podría ser un objeto afilado.
- Quite el colector de residuos, compruébelo y elimine cualquier obstrucción.
- Compruebe el canal de descarga del césped por si hay obstrucciones y límpielo cuidadosamente.
- Gire el producto de lado, compruebe la parte inferior del producto y el área que rodea a las púas. Si encuentra alguna obstrucción, quítela cuidadosamente.

RIESGOS RESIDUALES

Incluso cuando se utiliza el producto según las instrucciones, sigue siendo imposible eliminar por completo ciertos factores de riesgo residuales. Pueden surgir los siguientes riesgos durante el uso y el operador debe prestar especial atención para evitar lo siguiente:

- Lesiones por vibración
 - Use siempre la herramienta adecuada para el

trabajo. Utilice los mangos designados. Limite el tiempo de trabajo y la exposición.

- Lesiones a causa del ruido
 - La exposición al ruido puede causar pérdidas de audición. Use protección para los oídos y limite el tiempo de exposición.
- lesión por contacto con las púas
- Lesiones producidas por objetos lanzados

REDUCCIÓN DEL RIESGO

Se ha informado de que las vibraciones de las herramientas de mano puede contribuir a una condición llamada síndrome de Raynaud en ciertos individuos. Los síntomas pueden incluir hormigueo, entorpecimiento y decoloración de los dedos, generalmente aparentes cuando tiene lugar una exposición al frío. Se considera que los factores hereditarios, exposición al frío y a la humedad, dieta, tabaquismo y prácticas de trabajo contribuyen al desarrollo de estos síntomas. Existen medidas que pueden ser tomadas por el operador para reducir los efectos de vibración:

- Mantenga su cuerpo caliente durante el tiempo frío. Al manipular el producto, utilice guantes para mantener las manos y las muñecas calientes. Hay informes que indican que el tiempo frío es un gran factor que contribuye al síndrome de Raynaud.
- Después de cada período de funcionamiento, realice ejercicios para aumentar la circulación sanguínea.
- Haga pausas de trabajo frecuentes. Limite la cantidad de exposición por día.

Si siente alguno de los síntomas de esta enfermedad, interrumpa inmediatamente el uso y consulte a su médico estos síntomas.

⚠ ADVERTENCIA

El uso prolongado de una herramienta puede causar o agravar lesiones. Al utilizar cualquier herramienta durante períodos prolongados asegúrese de tomar descansos regulares.

CONOZCA SU PRODUCTO

Véase la página 132.

1. Botón de cambio
2. Empuñaduras
3. Gatillos
4. Barra del mango superior
5. Perillas
6. Llave hexagonal
7. Púas
8. Ruedas traseras
9. Ruedas delanteras
10. Cable prolongador
11. Accesorio del aireador
12. Palanca de ajuste de altura
13. Puerta trasera
14. Colector de residuos
15. Barra del mango central
16. Cableado
17. Gancho del cable

SÍMBOLOS EN EL PRODUCTO



Advertencia



Por favor lea las instrucciones detenidamente antes de arrancar la máquina.



Use protección auditiva



Utilice protección ocular



No la exponga a la lluvia o a lugares húmedos.



Tenga cuidado con los objetos volátiles o lanzados. Mantenga a todos los espectadores, especialmente a los niños y las mascotas, por lo menos a 15 metros de la zona de trabajo.



Tenga cuidado con las púas afiladas. Las púas siguen girando después de apagar el motor. Desenchufe el aparato antes de realizar tareas de mantenimiento o si el cable está dañado.



Mantenga el cable flexible alejado de las puntas de corte.



Anchura de trabajo: 35 cm



Clase II: La protección contra descargas eléctricas se basa en el doble aislamiento o en el aislamiento reforzado.



Los productos eléctricos de desperdicio no deben desecharse con desperdicios caseros. Por favor recíclelos donde existan dichas instalaciones. Compruebe con su autoridad local o minorista para reciclar.



Esta herramienta responde a todas las normas reglamentarias del país de la UE donde se ha comprado.



Certificado EAC de conformidad



No utilice la unidad en pendientes superiores a 15°. Utilice el aparato en la superficie de cuestas, nunca hacia arriba ni abajo



Marca de conformidad ucraniana



El nivel de potencia acústica garantizado mostrado en esta etiqueta es de 100 dB.

SÍMBOLOS EN ESTE MANUAL



Las piezas o accesorios se venden por separado



Nota



Advertencia

Los siguientes símbolos y palabras detallan los niveles de cuidado necesarios para usar este producto.

⚠ PELIGRO

Indica una situación potencialmente peligrosa que, de no evitarse, puede ocasionar la muerte o heridas de gravedad.

⚠ ADVERTENCIA

Indica una situación peligrosa que, de no evitarse, puede ocasionar la muerte o heridas de gravedad.

⚠ ADVERTENCIA

Indica una situación potencialmente peligrosa que, de no evitarse, puede ocasionar heridas leves.

ADVERTENCIA

Sin símbolo de alerta de seguridad
Indica una situación que puede causar daños en las cosas.

EN
FR
DE
ES
IT
NL
PT
DA
SV
FI
NO
RU
PL
CS
HU
RO
LV
LT
ET
HR
SL
SK
BG
UK
TR

Durante la progettazione di questo scarificatore o aeratore elettrico è stata data la massima priorità a sicurezza, prestazioni e affidabilità.

UTILIZZO RACCOMANDATO

Lo scarificatore o aeratore elettrico è destinato esclusivamente all'uso esterno. Tutte e quattro le ruote devono toccare terra durante la scarificazione o aerazione. Il prodotto montato con le punte di scarificazione è pensato per la scarificazione del prato domestico.

Il prodotto dotato di collegamento per aeratore è pensato per realizzare solchi nel terreno per ridurre la compattazione del suolo.

Il prodotto è uno scarificatore di prato alimentato elettricamente azionato da un operatore con spinta a mano. Il prodotto non deve essere né tirato né bisogna salirci sopra. Non utilizzare per tagliare materiali diversi da erba.

Non utilizzare per altri scopi.

AVVERTENZE GENERALI SULLA SICUREZZA DELL'UTENSILE

⚠ AVVERTENZA

Quando si utilizza questo prodotto, seguire eventuali norme di sicurezza. Per la propria sicurezza e per la sicurezza degli osservatori, leggere queste istruzioni prima di mettere in funzione il prodotto. Conservare le istruzioni per eventuali riferimenti futuri.

SICUREZZA PERSONALE

- Il prodotto è in grado di amputare mani e piedi, oltre che di scagliare oggetti a distanza. La mancata osservanza delle norme di sicurezza potrà causare gravi lesioni personali o morte.
- Familiarizzare con i comandi e il corretto utilizzo del prodotto.
- Non permettere mai a bambini o persone con ridotte capacità fisiche, sensoriali o mentali o a persone che non conoscono queste istruzioni di mettere in funzione, o svolgere le operazioni di pulizia e manutenzione sul prodotto. Leggi locali possono limitare l'età dell'operatore. Supervisionare adeguatamente i bambini per assicurarsi che non giochino con il prodotto.
- Fare sempre attenzione, osservare le operazioni di lavoro e utilizzare senso comune quando si mette in funzionamento l'unità. Non mettere in funzione se stanchi, malati o sotto l'influenza di alcool, droghe o medicinali. Una perdita di concentrazione mentre si utilizza la macchina potrà causare gravi lesioni alla persona.
- Indossare pantaloni lunghi e pesanti, maniche lunghe, e calzature robuste antidistrucchio. Non indossare pantaloni corti o sandali e non utilizzare l'apparecchio a piedi nudi. Evitare di indossare abiti con parti svolazzanti o con cordicelle o lacci.
- Indossare sempre occhiali di sicurezza con visiere laterali.

- Non protendersi. Mantenere sempre l'equilibrio, soprattutto sui pendii. Mantenere sempre un appoggio saldo e l'equilibrio. Camminare, non correre mai.
- Sui pendii procedere sempre in diagonale e mai in direzione verticale. Fare estrema attenzione quando si cambia direzione sui pendii.
- Non utilizzare il prodotto vicino a dirupi, avvallamenti, pendii eccessivamente ripidi o argini. Una mancanza di equilibrio potrà provocare cadute o far scivolare.

AMBIENTE DI LAVORO

- Non mettere mai in funzione l'utensile in presenza di osservatori, soprattutto bambini, o animali.
- Gli oggetti urtati dai denti dello scarificatore possono causare gravi lesioni alle persone. Ispezionare la zona dove si utilizza la macchina e rimuovere rocce, rami, pezzi di metallo, cavi, ossa, giocattoli o altri corpi estranei.
- Utilizzare il prodotto solo alla luce del giorno o con una buona illuminazione artificiale.
- Non mettere in funzione l'utensile in atmosfere esplosive, come in presenza di liquidi infiammabili, gas o polvere. L'utensile potrà creare scintille che potranno causare incendi a contatto con polvere o vapori.
- Non mettere in funzione su erba bagnata o sotto la pioggia.
- Non mettere in funzione la macchina su superfici pavimentate o con ciottoli o materiali che potranno essere scagliati verso l'operatore ferendolo.
- Azionare il prodotto esclusivamente su una superficie stabile per un funzionamento a due mani con l'operatore dietro il manubrio.
- Evitare di utilizzare lo scarificatore in cattive condizioni atmosferiche laddove sussiste il rischio di fulmini.
- Ricordare che l'operatore sarà responsabile di eventuali lesioni o danni a persone o cose.
- Si potranno verificare spiacevoli incidenti se si lasceranno avvicinare bambini alla zona di taglio. Non presumere mai che i bambini rimangano nella posizione dove li si è lasciati.
- Allontanare i bambini dall'area da falciare e affidarli alla sorveglianza di un'altra persona adulta e capace. Restare sempre vigili, pronti a spegnere il tosaerba qualora un bambino si avvicini all'area che si sta tagliando.
- Prestare massima attenzione in prossimità di angoli, cespugli, alberi o altri oggetti, inclusi arbusti sporgenti, che potrebbero ostruire la visuale.

SICUREZZA ELETTRICA

- Le prese dell'alimentazione devono essere compatibili con la spina. Non modificare la spina in alcun modo. Non utilizzare spine adattatrici con elettrotensili con messa a terra (presa di terra). Spine non modificate e prese corrispondenti ridurranno il rischio di scosse elettriche.
- Non mettere in funzione accidentalmente l'utensile. Controllare sempre che l'interruttore sia in posizione Off (spento) prima di collegare il prodotto all'alimentazione. Non trasportare mai il prodotto con il dito sull'interruttore.



- Evitare il contatto del corpo con superfici con messa a terra come tubi, radiatori, piani cottura e refrigeratori. Rischio aumentato di scosse elettriche se il corpo viene collegato con messa a terra.
- Non esporre il prodotto a pioggia o umidità. Si aumenterà il rischio di scosse elettriche nel caso in cui l'acqua entri nel dispositivo.
- La corrente elettrica dovrà essere fornita attraverso un dispositivo di corrente residua (RCD) con una corrente di scatto non superiore a 30 mA.
- Prima dell'uso controllare il cavo dell'alimentazione e la prolunga per individuare segni di danni o rotture. Nel caso in cui un cavo venga danneggiato durante l'utilizzo, scollegare il cavo dall'alimentazione immediatamente. I cavi danneggiati possono portare al contatto con parti vive. **Non toccare il cavo prima di scollegare l'utensile dall'alimentazione.** Non utilizzare l'utensile se il cavo è danneggiato o usurato.
- Se il cavo di alimentazione è danneggiato, dev'essere sostituito da un professionista qualificato con un nuovo cavo messo a disposizione dal fabbricante. La mancata osservanza di questa istruzione può comportare lesioni gravi a se stessi o agli altri, compresa l'elettrocuzione.
- Nel caso in cui si abbia bisogno di una prolunga assicurarsi che la stessa sia adatta all'utilizzo in esterni e abbia una capacità di corrente sufficiente per alimentare il prodotto. La prolunga dovrà essere marcata con "H05 RN F" o "H05 VV F". Controllare prima di ogni utilizzo per individuare eventuali danni, srotolare i cavi durante l'utilizzo dal momento che i cavi arrotolati potranno surriscaldarsi. Sostituire i cavi di prolunga danneggiati con altri di tipo equivalente. Non riparare i cavi di prolunga danneggiati.
- Assicurarsi di tenere i cavi di prolunga lontano da parti pericolose in movimento per evitare danni ai cavi stessi che possono portare al contatto con parti vive.
- Assicurarsi che il cavo dell'alimentazione sia posizionato in modo da non essere danneggiato dai dispositivi di taglio, in modo che non venga calpestato o da non causare inciampo né che venga sottoposto a danni o stress.
- Non prendere né trasportare mai il prodotto dal cavo elettrico.
- Non scollegare mai l'utensile tirando il cavo dalla presa.
- Tenere il cavo lontano da fonti di calore, olio ed angoli appuntiti.
- Assicurarsi che il voltaggio sia corretto per il prodotto. Una targhetta sul prodotto indica il voltaggio del prodotto. Non collegare il prodotto a voltaggio AC diverso dal voltaggio del presente prodotto.
- Assicurarsi sempre che il cavo del manubrio non rimanga intrappolato, schiacciato o diversamente danneggiato durante il montaggio o il piegamento della maniglia. Non applicare mai l'alimentazione elettrica al prodotto se il cavo è danneggiato. Far riparare il prodotto esclusivamente da un centro assistenza autorizzato.
- Un picco di energia potrà causare fluttuazioni nel voltaggio che potranno interessare altri prodotti elettrici collegati alla stessa linea. Collegare il prodotto a una

presa dell'alimentazione con una impedenza pari o inferiore a 0,452Ω (RY1400SF35A, RY1400SF35B) per minimizzare le fluttuazioni di voltaggio. Contattare il proprio fornitore di energia elettrica per ulteriori chiarimenti.

AVVERTENZE DI SICUREZZA PER SCARIFICATORE E AREATORE ELETTRICO

- I denti sul prodotto sono affilati. Fare attenzione e indossare guanti da lavoro quando si svolgono le operazioni di montaggio, sostituzione, pulizia o quando si controlla la sicurezza del bullone.
- Verificare che tutte le viti, i dadi, i bulloni e altri fissaggi siano correttamente stretti e che le protezioni e gli schermi siano in posizione. Sostituire le parti danneggiate o le etichette illeggibili.
- Sostituire le parti consumate o danneggiate prima di mettere in funzione il prodotto.
- Installare il raccoglitore di detriti prima della scarificazione. Svuotare il raccoglitore di detriti quando è pieno e reinstallarlo prima di riprendere il funzionamento.
- Il prodotto deve essere avviato con l'utente dietro il manico nella zona di sicurezza dell'operatore. Non avviare mai il prodotto se:
 - tutte e quattro le ruote non poggiano a terra
 - lo scivolo di scarico dei detriti è esposto e non protetto dal contenitore di raccolta né dal coperchio dello scivolo di scarico dei detriti.
- Non mettere in funzione il prodotto se l'interruttore on/off (accesso/spento) sul manico non avvia o arresta correttamente il prodotto.
- Non bloccare mai l'interruttore in posizione on; questa operazione è estremamente pericolosa.
- Non forzare il prodotto. L'utensile svolgerà un lavoro migliore e più sicuro se utilizzato alla velocità per la quale è stato progettato.
- Arrestare i denti quando si attraversano le superfici di ghiaia.
- L'operatore dovrà fare estrema attenzione quando inverte la direzione o quando spinge il prodotto verso di sé.
- Arrestare i denti se il prodotto deve essere inclinato per il trasporto quando si attraversano superfici diverse dall'erba e quando si trasporta il prodotto da e verso l'area di lavoro.
- Non utilizzare mai il prodotto con protezioni o schermi difettosi o senza dispositivi di sicurezza, ad esempio, deflettori e/o raccoglitori di detriti, in posizione.
- Non inclinare il prodotto quando si accende il motore, a meno che la macchina non debba essere inclinata per essere avviata. Se assolutamente necessario, potrebbe essere possibile sollevare solo la parte che è lontana dall'operatore. Assicurarsi sempre che entrambe le mani siano nella posizione di funzionamento prima di riportare la macchina a terra.
- Accendere il prodotto con attenzione in base alle istruzioni e tenere le mani e i piedi lontano dai denti. Tenere mani e piedi lontani dalle parti rotanti. Tenersi

EN
FR
DE
ES
IT
NL
PT
DA
SV
FI
NO
RU
PL
CS
HU
RO
LV
LT
ET
HR
SL
SK
BG
UK
TR



sempre lontani dalle aperture di scarico.

- Non alzare né trasportare il prodotto con il motore in funzione.
- Tenere i cavi di alimentazione e di prolunga lontani dai denti.
- Spegnerlo il prodotto e scollegarlo dall'alimentazione. Assicurarsi che tutte le parti in movimento si siano arrestate:
 - quando si lascia il prodotto incustodito (compreso lo smaltimento di sfalci d'erba).
 - prima di ripristinare un blocco o liberare lo scivolo di scarico
 - prima di svolgere le operazioni di controllo o pulizia sul prodotto o prima di utilizzarlo
 - dopo aver colpito un oggetto estraneo; controllare il dispositivo per individuare eventuali danni e svolgere le dovute riparazioni come necessario prima di riavviare e mettere in funzione l'utensile.
- Se il prodotto inizia a vibrare in modo insolito, verificare immediatamente di:
 - controllare eventuali danni
 - sostituire o riparare le parti danneggiate
 - controllare e serrare le parti eventualmente allentate
- Evitare buchi, solchi, rocce o altri oggetti nascosti. Terreni irregolari possono provocare scivolate e cadute.
- Rilasciare immediatamente la maniglia e stare lontano dal prodotto se:
 - il prodotto prende fuoco
 - la protezione e/o l'alloggiamento è rotto
 - si verificano suoni anomali
 - si verificano incidenti o interruzioni

⚠ AVVERTENZA

Assicurarsi che i denti siano completamente arrestati prima di rimuovere o installare il raccogliatore di detriti.

⚠ AVVERTENZA

Non toccare i pezzi pericolosi in movimento prima che il prodotto sia scollegato dall'alimentazione e che i pezzi pericolosi in movimento si siano completamente arrestati.

DISPOSITIVO DI PROTEZIONE DAI SOVRACCARICHI

Il prodotto è dotato di un dispositivo di protezione da sovraccarico. Quando viene rilevato un sovraccarico, il prodotto si spegne automaticamente. Se la protezione dai sovraccarichi è scattata, far raffreddare il motore per 5-10 minuti.

Spegnerlo il prodotto e scollegarlo dall'alimentazione. I denti sono affilati; indossare guanti per impegni gravosi. Accertarsi che i denti possano ruotare liberamente e che non siano inceppati o stretti.

Una volta che il motore si è raffreddato, collegare la presa all'alimentazione e accendere il prodotto. Premere il tasto Start (avvio) e quindi il tasto On-off (Acceso-Spento) per

avviare il prodotto. Se il prodotto non si avvia, farlo riparare esclusivamente da un centro assistenza autorizzato.

CONSIGLI DI SCARIFICAZIONE GENERALI

- Regolare la profondità di taglio in base alle esigenze del prato e alla lunghezza dell'erba.
- Falcciare il prato e applicare un falciatore di muschio una settimana prima di pianificare la scarificazione se il prato presenta questo tipo di problema.
- Innaffiare il prato pochi giorni prima della scarificazione per assicurarsi che il prato sia umido, ma non eccessivamente bagnato.

TRASPORTO E RIPONIMENTO

- Rimuovere eventuali materiali di scarto dal prodotto. Riporre in un luogo asciutto e ben ventilato non accessibile ai bambini. Tenere il prodotto lontano da agenti corrosivi come agenti chimici da giardino e sali scongelanti. Non conservare il prodotto all'aperto.
- Per il trasporto, assicurare il prodotto contro ogni movimento o contro eventuali cadute per evitare lesioni a persone o danni al prodotto.

⚠ AVVERTENZA

Fare estrema attenzione quando si alza o inclina la macchina per svolgere operazioni di manutenzione, pulizia, riponimento o trasporto. I denti sono affilati, tenere tutte le parti del corpo lontano dai denti quando sono esposti.

MANUTENZIONE

⚠ AVVERTENZA

Utilizzare solo parti di ricambio, accessori e dispositivi originali della ditta produttrice. In caso contrario si potranno causare lesioni, prestazioni basse e la garanzia verrà invalidata.

⚠ AVVERTENZA

Le operazioni di manutenzione devono essere svolte con grande attenzione e accortezza solo da un tecnico qualificato. Far riparare il prodotto esclusivamente da un centro assistenza autorizzato. Quando si svolgono le operazioni di manutenzione, utilizzare solo parti di ricambio originali della ditta produttrice.

- Quando il prodotto è fermo per manutenzione, ispezione o conservazione o sostituzione di un accessorio, spegnere l'alimentazione, scollegare il prodotto dall'alimentazione e assicurarsi che tutte le parti in movimento si siano completamente arrestate. Lasciare che l'utensile si raffreddi prima di svolgere gli eventuali controlli, regolazioni, ecc. Effettuare la manutenzione del prodotto con attenzione e pulirlo.
- Controllare frequentemente il raccogliatore di detriti per segni di usura, fori o deterioramento.

- L'operatore potrà fare le regolazioni e riparazioni descritte nel presente manuale. Per altre riparazioni o consigli, rivolgersi a un centro servizi autorizzato.
- Sostituire parti consumate o danneggiate per una maggiore sicurezza. Utilizzare solo parti e accessori originali.
- Dopo ogni uso, pulire il prodotto con un panno morbido e asciutto. Riparare eventuali parti danneggiate o farle sostituire da un centro servizi autorizzato.
- Controllare frequentemente dadi, bulloni e viti, verificando che siano stati assicurati correttamente per fare in modo che il prodotto garantisca condizioni di lavoro ottimali.
- Prestare attenzione durante la regolazione del prodotto per impedire l'intrappolamento di dita tra i denti in movimento e le parti fisse del prodotto.
- Quando si effettua la manutenzione del gruppo di denti, assicurarsi che anche l'alimentazione sia spenta e il gruppo potrà essere comunque spostato.
- I denti sul prodotto sono affilati. Fare attenzione e indossare guanti da lavoro quando si svolgono le operazioni di montaggio, sostituzione, pulizia o quando si controlla la sicurezza del bullone.

RIMOZIONE DEI BLOCCHI

- Spegnerlo il prodotto e scollegarlo dall'alimentazione.
- Indossare sempre guanti di protezione pesanti quando si controllano e rimuovono eventuali blocchi. I denti sono affilati e il blocco stesso può essere un oggetto affilato.
- Rimuovere il raccoglitore di detriti, verificare la presenza di ostruzioni e rimuoverle facendo attenzione.
- Verificare e rimuovere i blocchi nello scivolo di scarico dell'erba.
- Girare di lato il prodotto e verificare la parte inferiore del prodotto e l'area intorno ai denti. Rimuovere gli eventuali blocchi con attenzione.

RISCHI RESIDUI

Anche quando il prodotto viene utilizzato come indicato, è impossibile eliminare completamente alcuni fattori di rischio residuo. Si potranno correre i seguenti rischi durante l'utilizzo e l'operatore dovrà fare particolare attenzione per evitare quanto segue:

- Lesioni causate da vibrazioni
 - Utilizzare sempre l'attrezzo corretto per il lavoro che si desidera svolgere. Usare le apposite maniglie. Limitare la durata del lavoro e l'esposizione.
- Lesioni causate dal rumore.
 - L'esposizione al rumore può causare lesioni all'udito. Indossare cuffie di protezione e limitare l'esposizione.
- lesioni dal contatto con i denti
- Incidenti causati da oggetti scagliati intorno

RIDUZIONE DEL RISCHIO

Si è accertato che le vibrazioni causate da utensili a mano possono contribuire a causare una condizione chiamata Sindrome di Raynaud in alcune persone. I sintomi, comprendenti formicolio, intorpidimento e perdita di colore alle dita, si verificano di solito quando ci si espone al freddo. Fattori ereditari, esposizione a freddo e umidità, una dieta scorretta, fumo e condizioni di lavoro non sicure potranno contribuire allo sviluppo di questi sintomi. È possibile prendere delle precauzioni per ridurre le vibrazioni:

- Tenere il corpo al caldo a basse temperature. Quando si utilizza il prodotto indossare guanti per tenere le mani e i polsi caldi. Le basse temperature contribuiscono a causare la Sindrome di Raynaud.
- Dopo aver utilizzato l'utensile per un certo periodo, fare degli esercizi per stimolare la circolazione del sangue.
- Fare spesso delle pause. Limitare la quantità di esposizione giornaliera.

Nel caso in cui si provino i sintomi di questa condizione, interrompere immediatamente l'utilizzo dell'utensile e consultare un dottore.

AVVERTENZA

Il prolungato utilizzo dell'utensile potrà causare o aggravare lesioni. Quando si utilizza questo utensile per periodi di tempo prolungati, assicurarsi di fare sempre delle pause regolari.

FAMILIARIZZARE CON IL PRODOTTO

Vedere pagina 132.

1. Pulsante di avviamento
2. Prese maniglia
3. Grilletti
4. Asta maniglia superiore
5. Manopole
6. Chiave esagonale
7. Punte
8. Ruote posteriori
9. Ruote anteriori
10. Cavo di prolunga
11. Collegamento areatore
12. Leva regolazione altezza
13. Vano posteriore
14. Raccoglitore detriti
15. Asta con maniglia al centro
16. Cablaggio
17. Gancio cavo

SIMBOLI SUL PRODOTTO



Avvertenza



Leggere attentamente le istruzioni prima di avviare l'utensile.



Indossare cuffie di protezione



Indossare dispositivi di protezione occhi



Non esporre a pioggia o umidità.



Fare attenzione ad oggetti scagliati o lanciati dall'utensile. Tenere lontani tutti gli osservatori, soprattutto bambini e animali, ad almeno 15 m dalla zona di funzionamento.



Prestare attenzione alle punte affilate. Le punte continuano a ruotare dopo che il motore si è spento. Staccare la spina prima di effettuare la manutenzione o se il cavo risulta danneggiato.



Tenere il cavo flessibile dell'alimentazione lontano dai denti di taglio.



Larghezza di lavoro: 35 cm



Classe II: Il doppio isolamento o l'isolamento rafforzato permettono di proteggersi dalle scosse elettriche.



I prodotti elettrici non devono essere smaltiti con i rifiuti domestici. Vi sono strutture per smaltire tali prodotti. Informarsi presso il proprio Comune o rivenditore di sicurezza per smaltire adeguatamente tali rifiuti.



Questo apparecchio è conforme a tutte le norme vigenti nel paese dell'UE in cui è stato acquistato.



Marchio di conformità EurAsian



Non mettere in funzione su superfici che presentino una inclinazione superiore a 15°. Sui pendii procedere sempre in diagonale e mai in direzione verticale.



Marchio di conformità ucraino



Il livello di pressione sonora garantito indicato su questa etichetta è di 100 dB.

SIMBOLI NEL PRESENTE MANUALE



Parti o accessori venduti separatamente



Note



Avvertenze

I seguenti simboli indicano i livelli di rischio associati a questo prodotto.

PERICOLO

Indica una situazione pericolosa che, se non evitata attentamente, potrà causare gravi lesioni alla persona o morte.

AVVERTENZA

Indica una situazione potenzialmente pericolosa che, se non evitata attentamente, potrà causare gravi lesioni alla persona o morte

ATTENZIONE

Indica una situazione potenzialmente pericolosa che, se non evitata attentamente, potrà causare lesioni minori o moderate alla persona.

ATTENZIONE

Senza simbolo di allerta di sicurezza

Indica una situazione che potrà risultare in gravi danni a cose.

Bij het ontwerp van uw draadloze verticuteerder of beluchter hebben veiligheid, prestaties en betrouwbaarheid de hoogste prioriteit gekregen.

VOORGESCHREVEN GEBRUIK

De elektrische verticuteerder of beluchter is uitsluitend bedoeld voor gebruik buitenshuis. Alle vier wielen moeten tijdens het verticuteren of beluchten de bodem raken.

Het apparaat met verticuteertanden is ontworpen voor het verticuteren van particuliere gazons.

Het apparaat is voorzien van een beluchter en is ontworpen om gaten in de bodem te maken om de bodemverdichting te reduceren.

Het product is een wandelganggestuurde, op het stroomnet aangesloten verticuteermachine, ontworpen om met de hand te worden geduwd. Er mag niet aan worden getrokken of op worden gereden. Deze mag niet worden gebruikt om iets anders dan huishoudelijke gazons te maaien.

Gebruik niet voor andere doeleinden.

ALGEMENE VEILIGHEIDSWAARSCHUWINGEN VOOR HET WERKTUIG

⚠ WAARSCHUWING

Wanneer u het product gebruikt, moeten de veiligheidsregels worden opgevolgd. Voor uw eigen veiligheid en deze van omstanders, dient u deze instructies te lezen voor u het product gebruikt. Bewaar de instructies voor later gebruik.

PERSOONLIJKE VEILIGHEID

- Het product kan handen en voeten amputeren en voorwerpen omgooien. Wanneer u deze voorschriften niet opvolgt, kan dit leiden tot ernstige verwondingen of de dood.
- Wees vertrouwd met de bedieningen en het correct gebruik van het product.
- Laat kinderen of mensen met verminderde fysieke, zintuiglijke of mentale vermogens of mensen die niet met deze instructies vertrouwd zijn, het product niet bedienen, reinigen of onderhouden. De plaatselijke wetgeving kan beperkingen opleggen i.v.m. de leeftijd van de bediener. Kinderen moeten onder toezicht staan om ervoor te zorgen dat ze niet met het product spelen.
- Blijf alert en kijk naar wat u doet en gebruik uw gezond verstand wanneer u de machine gebruikt. Gebruik deze machine niet als u moe, ziek of onder de invloed van alcohol, drugs of medicijnen bent. Een klein moment van onoplettendheid terwijl u de machine gebruikt kan leiden tot ernstige letsels.
- Draag een zware, lange broek, lange mouwen en stevig anti-slip-schoeisel. Draag korte broek en sandalen en ga nooit op blote voeten. Draag geen loszittende kleding of kleding met loshangende snoeren of touwen.
- Draag altijd een veiligheidsbril met zijdelingse bescherming.

- Overrek u niet. Zorg altijd dat u stevig op de grond staat, in het bijzonder op hellingen. Bewaar steeds een stevige houvast en goed evenwicht. Stap altijd, loop nooit.
- Gebruik het product langs een helling, nooit op een neer. Wees uiterst voorzichtig wanneer u op een helling van richting verandert.
- Gebruik het product niet in de buurt van afstelplaatsen, dijken, zeer steile hellingen of bermen. Een slechte houvast kan ertoe leiden dat u uitglijdt en valt.

WERKOMGEVING

- Gebruik de machine nooit wanneer zich mensen, in het bijzonder kinderen, en dieren in de buurt bevinden.
 - Objecten die door de verticuteertanden worden geraakt kunnen ernstige verwondingen aan personen veroorzaken. Inspecteer de plaats waar de machine zal worden gebruikt grondig en verwijder alle stenen, stokken, metaal, draad, beenderen, speelgoed en andere vreemde voorwerpen.
 - Gebruik het product uitsluitend bij daglicht of goede kunstmatige verlichting.
 - Gebruik de machine niet in explosieve atmosferen, zoals in de aanwezigheid van ontvlambare vloeistoffen, gassen of stof. Het werktuig kan vonken veroorzaken die stof of gassen kunnen ontsteken.
 - Gebruik de machine niet in vochtig gras of in de regen.
 - Gebruik de machine niet op een geasfalteerd of grintoppervlak waar uitgeworpen materiaal verwondingen kan veroorzaken.
 - Gebruik het apparaat uitsluitend op een vlakke ondergrond, door de bestuurder met twee handen aan de stuurstang te bedienen.
 - Vermijd het gebruik van de verticuteermachine bij slecht weer, vooral wanneer er een risico op blikseminslag bestaat.
 - Hou er rekening mee dat de bediener of gebruiker verantwoordelijk is voor ongevallen of gevaren t.o.v. anderen of hun eigendom.
 - Tragische ongevallen kunnen gebeuren indien de bediener niet alert is op de aanwezigheid van kinderen. Neem nooit aan dat kinderen zullen blijven waar u ze laatst zag.
 - Houd kinderen uit het maaigebied en onder toezicht van een andere verantwoordelijke volwassene dan de gebruiker; wees alert en zet het apparaat uit als een kind het gebied betreedt.
 - Wees extra voorzichtig bij het naderen van blinde hoeken, struiken, bomen of andere voorwerpen die uw zicht kunnen blokkeren, zoals overhangende takken en struiken.
- ### ELEKTRISCHE VEILIGHEID
- De stekker moet overeenkomen met de contactdoos. Wijzig de stekker nooit. Gebruik geen adapters met geaarde elektrische werktuigen. Niet-gewijzigde stekkers en overeenkomstige contactdozen zullen het risico op elektrische schok verminderen.
 - Voorkom ongewild starten. Controleer altijd of de schakelaar zich in de uit-stand bevindt voor u het

EN
FR
DE
ES
IT
NL
PT
DA
SV
FI
NO
RU
PL
CS
HU
RO
LV
LT
ET
HR
SL
SK
BG
UK
TR

product met de contactdoos verbindt. Draag geen gereedschap met de stekker in het stopcontact en uw vinger op de schakelaar.

- Vermijd lichaamscontact met een geaard oppervlak, zoals buizen, radiatoren, kookfornuizen en koelkasten. Er bestaat een verhoogd risico voor elektrische schokken als uw lichaam is geaard.
- Stel het product niet bloot aan regen of natte omstandigheden. Water dat in het apparaat binnensijpelt verhoogt het risico voor elektrische schok.
- Elektrische stroom moet via een aardlekschakelaar (RCD) worden geleverd met een uitschakelstroom van niet meer dan 30 mA.
- Voor gebruik controleert u het stroom- en verlengsnoer op tekenen van schade of slijtage. Als het snoer tijdens het gebruik beschadigd raakt, trekt u onmiddellijk de stekker uit de contactdoos. Beschadigde snoeren kunnen leiden tot contact met onderdelen die onder spanning staan. **Raak het snoer niet aan voor u de stroomtoevoer ontkoppelt.** Gebruik de machine niet als het snoer versleten of beschadigd is.
- Als het netsnoer beschadigd is, moet dit worden vervangen door een professioneel gekwalificeerde persoon, met een nieuwe kabelset die verkrijgbaar is bij de fabrikant. Verzuimen deze instructie te volgen kan leiden tot ernstig letsel aan uzelf of anderen, met inbegrip van elektrocutie.
- Als u een verlengsnoer moet gebruiken, zorg er dan voor dat dit geschikt is voor buitenshuis gebruik en dat het stroomvermogen voldoende is om uw product van stroom te voorzien. Het verlengsnoer moet gemarkeerd zijn met "H05 RN F" of "H05 VV F". Controleer voor elk gebruik op schade, ontrol het snoer altijd tijdens gebruik aangezien een opgerold snoer kan oververhitten. Vervang beschadigde verlengsnoeren door een gelijkwaardig type. Repareer beschadigde verlengsnoeren niet.
- Houd verlengsnoeren verwijderd van bewegende en gevaarlijke onderdelen om schade aan de kabels te vermijden, wat kan leiden tot contact met onder spanning staande onderdelen.
- Zorg ervoor dat het stroomsnoer zo is geplaatst dat het niet door de snijelementen kan worden beschadigd en men er niet kan op trappen, er over struikelen of op een andere manier beschadigen of onder druk brengen.
- Til het product nooit op aan de elektrische kabel of draag het nooit aan de elektrische kabel.
- Trek nooit aan het stroomsnoer om van de stroomtoevoer te ontkoppelen.
- Houd het stroomsnoer weg van hitte, olie en scherpe randen.
- Zorg ervoor dat de spanning correct is voor uw product. Een naamplaatje op het product duidt de spanning van het product aan. Verbind het product nooit met een AC-spanning die verschilt van deze spanning.
- Zorg er altijd voor dat het snoer van de stuurstang naar de verticuteermachine nooit wordt ingeklemd, bekneeld of op andere wijze beschadigd raakt tijdens de montage of het bedienen van de handgreep. Gebruik nooit stroom op het product als de kabel beschadigd

is. Het product mag uitsluitend door een erkend servicecentrum worden gerepareerd.

- Een stroomstoot veroorzaakt stroomschommelingen en kan andere elektrische producten op hetzelfde circuit beïnvloeden. Verbind het product met een stroomvoorziening met een impedantie die kleiner of gelijk is dan $0,452\Omega$ (RY1400SF35A, RY1400SF35B) om spanningsschommelingen te minimaliseren. Neem contact op met uw elektriciteitsleverancier voor meer informatie.

VEILIGHEIDSWAARSCHUWINGEN VERTICUTEERDER EN BELUCHTER

- De tanden op het apparaat zijn scherp. Wees voorzichtig en draag zware handschoenen wanneer u de veiligheidsbout installeert, vervangt, reinigt of controleert.
- Controleer of alle schroeven, moeren, bouten en andere bevestigingsmiddelen goed vastzitten en of de afschermingen en platen juist zijn aangebracht. Vervang beschadigde of onleesbare etiketten.
- Vervang versleten of beschadigde onderdelen voor u het product gebruikt.
- Installeer de opvangbak alvorens te verticuteren. Leeg de volle opvangbak en plaats deze opnieuw alvorens weer in gebruik te nemen.
- Het product moet worden gestart terwijl de gebruiker achter het handvat staat in de veilige zone. Start het product nooit als:
 - alle vier de wielen zich niet op de bodem bevinden
 - de vuilafvoergoot is open en wordt niet beschermd door de opvangbak en de afdekking van de vuilafvoergoot.
- Gebruik het product nooit als de aan-/uitknop op het handvat het product niet correct start en stillet.
- Vergrendel nooit de aan/uit-schakelaars in de aanstand; dit is uiterst gevaarlijk.
- Forceer het product niet. Deze zal beter en veiliger werken aan de snelheid waarvoor ze werd ontworpen.
- Stop de bewegende tanden bij het oversteken van grindoppervlakken.
- Wees uiterst voorzichtig wanneer u achteruit rijdt of het product naar u toe trekt.
- Stop de tanden als het apparaat moet worden gekanteld voor transport bij het oversteken van andere oppervlakken dan gras en bij het transporteren van het product van en naar het werkbereik.
- Gebruik het product nooit met defecte afschermingen, platen, of zonder veiligheidsvoorzieningen, zoals bijvoorbeeld correct geplaatste deflectoren en/of opvangbakken.
- Kantel het product niet bij het inschakelen van de motor, behalve als de machine moet worden gekanteld om te starten. Indien absoluut noodzakelijk mag u uitsluitend het deel optillen, dat zich niet in de buurt van de gebruiker bevindt. Zorg er altijd voor dat beide handen zich in de werkstand bevinden, alvorens de machine weer op de grond te zetten.
- Schakel de machine voorzichtig volgens de instructies



EN
FR
DE
ES
IT
NL
PT
DA
SV
FI
NO
RU
PL
CS
HU
RO
LV
LT
ET
HR
SL
SK
BG
UK
TR

in en zorg dat handen en voeten zich uit de buurt van de messen bevinden. Steek uw handen of voeten niet in de buurt van of onder ronddraaiende onderdelen. Hou de uitlaatopening altijd vrij.

- Het product nooit op of draag het nooit terwijl de motor draait.
- Houd het aanvoer- en verlengsnoer uit de buurt van de tanden.
- Schakel het product uit en ontkoppel het van de stroomvoorziening. Zorg ervoor dat alle bewegende delen volledig tot stilstand zijn gekomen:
 - wanneer u het product onbeheerd achter laat (ook bij het verwijderen van het grasafval)
 - alvorens een blokkade te verwijderen of de afvoergoot te ontstoppen
 - voor u het product controleert, reinigt of aan het product werkt.
 - nadat een vreed voorwerp de machine heeft geraakt; inspecteer de machine op schade en herstel de machine indien nodig voor u de ze heropstart en opnieuw gebruikt.
- Als het product abnormaal begint te trillen, controleer dan onmiddellijk of:
 - controleer op schade
 - vervang of repareer alle beschadigde onderdelen
 - controleer op losse onderdelen en maak vast
- Vermijd gaten, sporen, oneffenheden, stenen of andere verborgen voorwerpen. Een oneffen terrein kan ervoor zorgen dat u wegglijdt en valt.
- Laat de hendel onmiddellijk los en blijf uit de buurt van de machine indien:
 - het apparaat in brand vliegt
 - de afscherming en/of behuizing is gebroken
 - abnormaal geluid te horen is
 - als er zich een ongeval of defect voordoet

Sluit de stekker aan op de voeding en schakel het product in als de motor is afgekoeld. Druk op de start-knop en dan op de aan/uit-knop om het product te starten. Laat het product alleen onderhouden door een erkend onderhoudscentrum als het product nog steeds niet start.

ALGEMENE VERTICUTEERTIPS

- Pas de maaihoogte aan de omstandigheden van uw gazon en de lengte van het gras aan.
- Maai uw gazon en breng als uw gazon een mosprobleem heeft mosverdelger aan, een week voordat u van plan bent om te verticuteren.
- Besproei uw gazon een paar dagen voor het verticuteren met water om er zeker van te zijn dat uw gazon vochtig maar niet te nat is.

TRANSPORT EN OPSLAG

- Verwijder alle vreemde voorwerpen van het product. Bewaar op een koele, droge en goed geventileerde plaats die niet toegankelijk is voor kinderen. Houd het product weg van corrosieve producten, zoals tuinchemicaliën en ontdooingszout. Sla het product niet buitenshuis op.
- Voor transport beveiligt u het product tegen bewegen of vallen om lichamelijke letsels of schade aan het product te voorkomen.

⚠ WAARSCHUWING

Wees uiterst voorzichtig wanneer u de machine optilt of opheft voor onderhoud, reiniging, opslag of transport. De tanden zijn scherp, houd alle lichaamsdelen uit de buurt van de tanden terwijl deze blootliggen.

ONDERHOUD

⚠ WAARSCHUWING

Gebruik uitsluitend originele vervangonderdelen, accessoires en voorzetstukken van de fabrikant. Als u dit niet doet, kan dit mogelijks letsels of slechte prestaties veroorzaken waardoor uw garantie kan vervallen.

⚠ WAARSCHUWING

Het onderhoud vereist extreme voorzichtigheid en deskundigheid en mag enkel door een gekwalificeerde onderhoudstechnicus worden uitgevoerd. Het product mag uitsluitend door een erkend servicecentrum worden gerepareerd. Gebruik uitsluitend originele vervangonderdelen wanneer u onderhoudswerken aan de machine uitvoert.

- Wanneer het apparaat gestopt wordt voor onderhoud, inspectie, opslag of vervanging van een accessoire, schakel dan de stroombron uit, haal de stekker uit het stopcontact en controleer of alle bewegende onderdelen volledig tot stilstand zijn gekomen. Laat de machine afkoelen voor u ze inspecteert, afstelt, etc. Onderhoud het product met zorg en houd het schoon.

⚠ WAARSCHUWING

Zorg ervoor dat de tanden volledig stilstaan alvorens de opvangbak te verwijderen of te plaatsen.

⚠ WAARSCHUWING

Raak de gevaarlijke bewegende delen niet aan totdat de stroomvoorziening is uitgeschakeld en de bewegende delen volledig tot stilstand zijn gekomen.

INRICHTING VOOR BESCHERMING TEGEN OVERBELASTING

Het product heeft een overbelastingsbeveiliging. Wanneer overbelasting wordt opgespoord, zal het apparaat automatisch worden uitgeschakeld. Als de bescherming tegen overbelasting wordt ingeschakeld, moet de motor 5 tot 10 minuten afkoelen.

Schakel het product uit en ontkoppel het van de stroomvoorziening. De messen zijn scherp; draag werkhandschoenen als u de messen aanraakt. Zorg dat de tanden vrij kunnen draaien en niet zijn vastgelopen of strakstaan.



- Check de opvangbak regelmatig op slijtage, gaten of beschadiging.
- U kunt de afstellingen en reparaties die in deze gebruiksaanwijzing worden vermeld, uitvoeren. Voor andere herstellingen of advies, vraagt u hulp in een geautoriseerd onderhoudscentrum.
- Vervang versleten of beschadigde onderdelen om de veiligheid te bewaren. Gebruik uitsluitend originele vervangonderdelen en accessoires.
- Na elk gebruik, reinigt u het product met een zachte, droge doek. Een beschadigd onderdeel moet door een geautoriseerd onderhoudscentrum goed worden gerepareerd of vervangen.
- Controleer regelmatig of alle moeren, bouten en vijzen goed zijn vastgemaakt om zeker te zijn dat het product veilig kan worden gebruikt.
- Wees voorzichtig bij het afstellen van de machine om te voorkomen dat vingers tussen bewegende tanden en vaste delen bekneld raken.
- Wanneer u onderhoud aan de tanden uitvoert, moet u erop letten dat hoewel de stroomvoorziening is uitgeschakeld, de messen nog altijd kunnen bewegen.
- De tanden op het apparaat zijn scherp. Wees voorzichtig en draag zware handschoenen wanneer u de veiligheidsbout installeert, vervangt, reinigt of controleert.

VERWIJDEREN VAN BLOKKADES

- Schakel het product uit en ontkoppel het van de stroomvoorziening.
- Draag altijd zware veiligheidshandschoenen wanneer u een obstructie controleert en vrijmaakt. De tanden zijn scherp en de blokkade zelf kan een scherp voorwerp zijn.
- Verwijder de opvangbak, controleer of er zich geen obstakels in bevinden en verwijder deze indien nodig zorgvuldig.
- Controleer zorgvuldig eventuele verstoppingen in de grasafvoergoot en verwijder deze.
- Draai het product op zijn kant en controleer de onderkant van het product en het bereik rond de tanden. Verwijder eventuele gevonden blokkades zorgvuldig.

RESTRISICO'S

Zelfs wanneer het product zoals voorgeschreven wordt gebruikt, is het nog steeds onmogelijk om bepaalde restrisico's volledig te elimineren. De volgende gevaren kunnen ontstaan tijdens het gebruik en de bediener moet bijzondere aandacht hebben om de volgende situaties te voorkomen:

- Letsels veroorzaakt door trillingen
 - Gebruik altijd het voor de taak geschikte werktuig. Gebruik de daarvoor bestemde handvatten. Beperk de werktijd en blootstelling.
- Verwondingen veroorzaakt door geluid.
 - Blootstelling aan geluid kan gehoorletsels veroorzaken. Draag gehoorbescherming en beperk de blootstelling.

- Letsel veroorzaakt door aanraking met de tanden
- Letsel veroorzaakt door losse voorwerpen

RISICOBEPERKING

Er zijn meldingen dat trillingen van handwerktuigen bij sommige mensen bijdragen tot het Syndroom van Raynaud. Symptomen kunnen ondermeer tintelingen, gevoelloosheid en bleek worden van de vingers omvatten, wat normaal gezien duidelijk wordt bij blootstelling aan koude. Erfelijke factoren, blootstelling aan koude en vocht, dieet, roken en werkroutine kunnen allemaal bijdragen tot de ontwikkeling van deze symptomen. Er kunnen door de bediener maatregelen worden genomen om de gevolgen van de trillingen te beperken:

- Houd bij koud weer uw lichaam warm. Draag handschoenen terwijl u het product gebruikt om de handen en polsen warm te houden. Men neemt aan dat koud weer een belangrijke factor is die bijdraagt tot het Syndroom van Raynaud.
- Doe oefeningen om de bloeddoorstroming te bevorderen na elke periode van gebruik.
- Neem regelmatig een pauze. Beperk het aantal uren dat u per dag wordt blootgesteld.

Wanneer u enige van de symptomen van deze aandoening ervaart, stop dan onmiddellijk met het gebruik van het toestel en raadpleeg uw dokter

⚠ WAARSCHUWING

Letselfs kunnen worden veroorzaakt of ernstiger worden door verlengd gebruik van een werktuig. Als u een werktuig gedurende langere periodes gebruikt, neem dan regelmatig pauze.

KEN UW PRODUCT

Zie pagina 132.

1. Schakelknop
2. Handgrepen
3. Triggers
4. Pal bovenste handgreep
5. Knoppen
6. Inbussleutel
7. Tand
8. Achterwielen
9. Voorwielen
10. Verlengsnoer
11. Beluchtingstoestel
12. Hoogteafstellingshendel
13. Achterdeur
14. Opvangbak
15. Pal middelste handgreep
16. Bedrading
17. Touwhaak

SYMBOLEN OP HET PRODUCT



Waarschuwing



Gelieve de instructies zorgvuldig te lezen voordat u de machine in gebruik neemt.



Draag gehoorbescherming



Draag gezichtsbescherming



Stel niet bloot aan regen of vocht.



Houd rekening met weggeslingerde of rondvliegende voorwerpen. Houd alle omstanders, in het bijzonder kinderen en huisdieren, op tenminste 15m afstand van het werkgebied.



Neem de scherpe tanden in acht. Nadat de motor is uitgeschakeld blijven de tanden nog even in beweging. Verwijder de stekker uit de voeding voor onderhoud of wanneer het snoer is beschadigd.



Houd het flexibele voedings snoer weg van de schoepen.



Werkbreedte: 35 cm.



Klasse II: De bescherming tegen elektrische schok hangt af van dubbele of versterkte isolatie.



Elektrisch afval mag niet samen met ander huishoudafval worden weggegooid. Gelieve te recycleren indien de mogelijkheid bestaat. Neem contact op met uw lokaal bestuur of handelaar om advies te krijgen over recyclage.



Dit apparaat voldoet aan alle geldende normen van Lid-Staat van de Europese Unie waar het werd gekocht.



EurAsian-symbool van overeenstemming



Gebruik niet bij hellingen steiler dan 15°. Gebruik het product langs een helling, nooit op een neer.



Oekraïens conformiteitssymbool



De gegarandeerde geluidsdruk wordt op dit etiket als zijnde 100 dB.

SYMBOLEN IN DEZE GEBRUIKSAANWIJZING



Onderdelen of accessoires afzonderlijk verkocht



Opmerking



Waarschuwing

De volgende kernwoorden en verklaringen zijn bedoeld om de gevaarniveaus die op dit toestel betrekking hebben, te verklaren.

⚠ GEVAAR

Wijst op een gevaarlijke situatie die, als ze niet wordt voorkomen, dodelijk kan zijn of ernstige verwondingen kan veroorzaken.

⚠ WAARSCHUWING

Wijst op een mogelijks gevaarlijke situatie die, als ze niet wordt voorkomen, dodelijk kan zijn of ernstige verwondingen kan veroorzaken.

⚠ LET OP

Wijst op een mogelijks gevaarlijke situatie die, als ze niet wordt voorkomen, kleine of middelmatige verwondingen kan veroorzaken.

LET OP

Zonder veiligheidswaarschuwingssymbool
Wijst op een situatie die kan leiden tot materiële schade.

EN
FR
DE
ES
IT
NL
PT
DA
SV
FI
NO
RU
PL
CS
HU
RO
LV
LT
ET
HR
SL
SK
BG
UK
TR

No design do seu escarificador ou aerador elétrico, demos prioridade à segurança, ao desempenho e à fiabilidade.

USO PREVISTO

O escarificador ou aerador elétrico destina-se apenas a uma utilização no exterior. As quatro rodas devem tocar no chão durante a escarificação ou aeração.

O produto foi concebido com dentes de escarificação para a escarificação de relvados domésticos.

O produto equipado com um acessório aerador foi concebido para criar furos no solo para reduzir a compactação do mesmo.

O produto é um escarificador de relvados elétrico de operação manual, concebido para ser empurrado à mão. Não deve puxar ou transportar-se no produto. Só deve ser usada para cortar relvado de jardins.

Não a use para nenhuma outra finalidade.

AVISOS GERAIS DE SEGURANÇA DA FERRAMENTA ELÉCTRICA

⚠ ADVERTÊNCIA

Ao utilizar o produto, devem seguir-se as normas de segurança. Para a sua própria segurança e a dos que o rodeiam, leia estas instruções antes de utilizar o produto. Guarde as instruções para usá-las no futuro.

SEGURANÇA PESSOAL

- O produto tem capacidade para amputar mãos e pés, e para projectar objectos! Na eventualidade de não cumprir com todas as instruções de segurança, tal poderá causar graves lesões ou morte.
- Familiarize-se com os controlos e a utilização adequada do aparelho.
- Nunca permita que crianças ou pessoas com capacidades físicas, sensoriais ou mentais reduzidas, ou pessoas não familiarizadas com estas instruções, operem, limpem ou realizem qualquer manutenção no aparelho. A legislação local pode restringir a idade do operador. As crianças devem ser mantidas sob vigilância adequada para se garantir que não brincam com o produto.
- Ao operar esta unidade, permaneça alerta, tenha em atenção ao que está a fazer e use o bom senso. Não opere esta unidade se estiver cansado ou sob a influência de drogas, álcool ou medicamentos. Uma falta de concentração durante o funcionamento do cortador pode resultar em lesão corporal grave.
- Use calças compridas de tecido grosso, mangas compridas e calçado grosso anti-derrapante. Não use calções e sandálias, nem ande descalço. Evite usar roupa larga ou com cordões ou laços.
- Use sempre óculos de segurança com protectores laterais.
- Não se aproxime em demasia. Tenha sempre certeza onde põe os pés, especificamente em sítios inclinados. Mantenha-se bem apoiado e equilibrado. Ande e nunca corra.

- Utilize o aparelho na superfície de encostas, nunca para cima, nem para baixo. Tenha extrema cautela ao mudar de direcção nas inclinações.
- Não utilize o aparelho perto de declives, valas, zonas de inclinação excessiva ou aterros. Um fraco equilíbrio pode causar um acidente em que escorra e cai.

AMBIENTE DE TRABALHO

- Nunca coloque a máquina a funcionar quando pessoas, especialmente crianças ou animais de estimação estão por perto.
- Os objetos atingidos pelos dentes do escarificador podem provocar ferimentos pessoais graves. Inspeccione cuidadosamente a área onde o cortador vai ser utilizado e retire todas as rochas, paus, metais, fios, ossos, brinquedos ou outros objectos estranhos.
- Utilize o aparelho apenas com luz diurna ou com uma boa luz artificial.
- Não opere a máquina em atmosferas explosivas, tais como na presença de líquidos inflamáveis, gases ou poeira. A ferramenta pode criar fagulhas que podem incendiar o pó ou os gases.
- Não trabalhe com o cortador em relva molhada ou sob chuva.
- Não ponha a máquina a funcionar numa superfície pavimentada ou com gravilha onde o material ejectado possa causar lesões.
- Opere o produto apenas numa superfície nivelada, utilizando uma operação com duas mãos com o operador atrás do volante.
- Evite utilizar o escarificador em condições climatéricas adversas, em especial se existir o risco de relâmpagos.
- Mantenha em mente que o operador ou o utilizador é responsável pelos acidentes ou perigos que ocorrem a outras pessoas ou à sua propriedade.
- Podem ocorrer acidentes trágicos caso o operador não esteja alerta em relação à presença de crianças. Nunca assuma que as crianças vão permanecer onde as viu por último.
- Mantenha as crianças afastadas da área de corte da relva e sob o olhar atento de um outro adulto responsável (sem ser o utilizador) e esteja alerta e pronto a desligar o produto se uma criança entrar na área.
- Tenha especial cuidado quando se aproximar de esquinas sem visibilidade, arbustos, árvores ou outros objectos (incluindo ramadas pendentes de arbustos) que possam bloquear a sua visão.

SEGURANÇA ELÉCTRICA

- As ligações devem ser adequadas para a tomada de corrente. Nunca altere a ficha seja de que maneira for. Não use quaisquer fichas adaptadoras com ferramentas de ligação com terra. As fichas não modificadas e tomadas compatíveis reduzirão o risco de choque eléctrico.
- Evite um arranque inesperado. Verifique sempre se o interruptor está na posição OFF (desligado) antes de ligar o produto à corrente eléctrica. Não transporte um produto ligado com o dedo no interruptor.

- Evite o contacto do corpo com superfícies com ligação terra ou enterradas, tais como tubos, radiadores, fogões e frigoríficos. Há um aumento do risco de choque eléctrico se o seu corpo estiver ligado à terra.
- Não exponha este produto à chuva ou humidade elevada. Se entrar água no aparelho, isto aumentará o risco de descargas eléctricas.
- O fornecimento eléctrico deveria efectuar-se através de um dispositivo de corrente residual (RDC) com uma corrente activa não superior a 30 mA.
- Antes de utilizar, verifique se existem sinais de danos ou envelhecimento no cabo de extensão e na tomada. Se o cabo ficar danificado durante a utilização, desconecte imediatamente o cabo da tomada. Quaisquer fios danificados podem conduzir ao contacto com peças eletrificadas. **Não toque no cabo antes de o desligar da corrente.** Não utilize a máquina se o cabo estiver danificado ou gasto.
- Se o cabo de alimentação eléctrica estiver danificado, deve ser substituído por um profissional devidamente habilitado, utilizando um conjunto de cabo novo fornecido pelo fabricante. Se não cumprir esta instrução, isso poderá causar ferimentos a si próprio e a outras pessoas, incluindo choque eléctrico potencialmente mortal.
- Caso precise utilizar uma extensão, assegure-se que esta é adequada para uso no exterior e que tem uma capacidade de corrente suficiente para alimentar o aparelho. O cabo de prolongamento deverá levar a marca "H05 RN F" ou "H05 VV F". Antes de cada utilização inspecione o dispositivo para verificar a existência de danos; desembarace sempre o cabo durante a utilização porque os cabos enrolados podem sobreaquecer. Substitua os cabos de extensão por cabos de tipo equivalente. Não proceda à reparação de cabos de extensão danificados.
- Certifique-se de que mantém os cabos de extensão afastados de peças perigosas de modo a evitar danos nos mesmo, o que pode conduzir ao contacto com peças energizadas.
- Assegure-se de que o cabo de alimentação está situado de tal maneira que não pode ser danificado ou cortado e que não se pisará, estorvará nem estará submetido a danos ou incómodos.
- Não pegue nem leve o produto pelo cabo eléctrico.
- Não pegue no cabo de alimentação para desligá-lo do fornecimento eléctrico.
- Mantenha o cabo eléctrico afastado do calor, óleo e pontas afiadas.
- Assegure-se de que a voltagem é adequada para o seu produto. Uma placa de identificação no produto indica a voltagem do produto. Não ligue o produto a uma voltagem de CA que não corresponda à sua voltagem.
- Certifique-se sempre de que o cabo do volante para a estrutura do escarificador não fica preso, dobrado ou danificado durante a montagem ou ao dobrar o volante. Nunca aplique energia ao produto se o cabo estiver danificado. Repare o seu produto exclusivamente num centro de assistência autorizado.
- Um pico de corrente implica flutuações da tensão e

pode afetar outros produtos eléctricos na mesma linha eléctrica. Ligue o produto a uma fonte de alimentação com uma impedância igual ou inferior a 0,452Ω (RY1400SF35A, RY1400SF35B) para minimizar as flutuações de tensão. Para mais esclarecimentos, contacte o seu fornecedor de energia eléctrica.

AVISOS DE SEGURANÇA DO ESCARIFICADOR E DO AERADOR ELÉTRICO

- Os dentes do produto são afiados. Tenha cuidado e use luvas pesadas ao encaixar, substituir, limpar ou verificar o parafuso de segurança.
- Verifique se todos os parafusos, porcas e outros fixadores estão devidamente fixos e se as proteções e filtros estão instalados. Substitua as etiquetas ilegíveis ou danificadas.
- Substitua as peças desgastadas ou danificadas antes de operar o aparelho.
- Instale o coletor de detritos antes de escarificar. Esvazie o coletor de detritos quando estiver cheio e instale novamente antes de retomar o funcionamento.
- O produto deve ser ligado com o utilizador situado atrás do guiador, na zona de segurança do operário. Nunca ligue o produto se:
 - as quatro rodas não estiverem no chão
 - a calha de descarga de detritos está exposta e não está protegida pelo coletor de detritos e pela tampa da calha de descarga de detritos
- Nunca utilize o produto se o interruptor de ligar/desligar situado no guiador não ligar e desligar o produto de forma correta.
- Nunca bloqueie os interruptores para ligar/desligar na posição ligada; fazê-lo é extremamente perigoso.
- Não force o produto. Realizará um trabalho melhor e mais seguro à velocidade para a qual foi concebida.
- Pare os dentes ao atravessar superfícies com gravilha.
- Seja extremamente cauteloso ao recuar ou puxar o produto em direção a si próprio.
- Pare os dentes se o produto tiver de ser inclinado para o transporte ao atravessar superfícies que não sejam de relva e ao transportar o produto de e para a área de trabalho.
- Nunca utilize o produto com proteções ou filtros defeituosos ou sem os dispositivos de segurança, por exemplo, defletores e/ou coletores de detritos instalados.
- Não incline o motor ao ligar o motor, exceto se o equipamento tiver de ser inclinado para ligar. Caso seja absolutamente necessário, poderá levantar a parte que está afastado do operador. Certifique-se sempre de que ambas as mãos se encontram na posição de trabalho antes de colocar o equipamento no chão.
- Ligue o produto cuidadosamente, de acordo com as instruções, e mantenha as mãos e os pés afastados dos dentes. Não coloque as mãos ou os pés próximo das peças rotativas. Mantenha sempre a abertura de descarga desobstruída.
- Nunca levante nem transporte o aparelho com o motor em funcionamento.

EN
FR
DE
ES
IT
NL
PT
DA
SV
FI
NO
RU
PL
CS
HU
RO
LV
LT
ET
HR
SK
SL
BG
UK
TR

- Mantenha os cabos de alimentação e de extensão afastados dos dentes.
- Desligue o produto e desconecte-o da fonte de alimentação. Certifique-se de que todas as peças em movimento pararam completamente:
 - Sempre que deixe o produto sem vigilância (inclusive enquanto tira os restos de erva).
 - antes de desobstruir bloqueios ou desentupir a calha de descarga
 - antes de verificar, limpar ou funcionar com o produto
 - após atingir um objeto estranho; inspecione o aparelho para verificar se fez danos e fazer reparações, se necessário, antes de reiniciar e operar a máquina.
- Se o produto começar a vibrar de forma anormal, verifique imediatamente o seguinte:
 - inspecionar os danos
 - substitua ou repare qualquer peça danificada
 - verifique e aperte as peças soltas
- Evite furos, raízes, solavancos, pedras ou outros objectos escondidos. Um terreno desnivelado pode fazer com que escorregue e caia.
- Solte imediatamente o volante e afaste-se do produto se:
 - o produto se incendiar
 - a protecção e/ou a estrutura estiverem partidos
 - ocorrerem sons anormais
 - se uma criança entrar na área

⚠ ADVERTÊNCIA

Certifique-se de que os dentes estão completamente parados antes de remover ou instalar o coletor de detritos.

⚠ ADVERTÊNCIA

Não toque em peças móveis perigosas enquanto não tiver desligado o produto da fonte de alimentação e enquanto todas as peças móveis perigosas não tiverem parado completamente.

DISPOSITIVO DE PROTECÇÃO CONTRA SOBRECARGAS

O produto tem um dispositivo de protecção contra sobrecarga. Quando é detectada uma sobrecarga, o produto desliga-se automaticamente. Se o dispositivo de protecção contra sobrecargas for actuado, então o motor eléctrico terá de ser deixado arrefecer durante 5 a 10 minutos.

Desligue o produto e desconecte-o da fonte de alimentação. Os dentes são afiados; calce luvas para trabalho pesado antes de tocar nos dentes! Certifique-se de que os dentes podem rodar livremente e que não estão encravados nem demasiado justos.

Depois de o motor arrefecer, ligue a ficha à fonte de alimentação e ligue o produto. Pressione o botão Start (iniciar) e, em seguida, o botão On/Off para iniciar o

aparelho. Se o produto não ligar., repare-o apenas num centro de assistência autorizado.

SUGESTÕES GERAIS DE ESCARIFICAÇÃO

- Ajuste a profundidade de corte de acordo com as necessidades do seu relvado e o comprimento da relva.
- Corte o seu relvado e aplique um produto antimusgo uma semana antes de planejar escarificar se o seu relvado tiver problemas de musgo.
- Regue o relvado alguns dias antes de escarificar para garantir que o relvado está húmido, mas não excessivamente molhado.

TRANSPORTE E ARMAZENAMENTO

- Limpe todos os materiais estranhos do produto. Guarde-o num local fresco e seco e bem ventilado a que as crianças não consigam aceder. Mantenha o produto afastado de agentes corrosivos tais como produtos químicos de jardim e sais de remoção de gelo. Não guarde o produto em espaços exteriores.
- Para transportar, prenda o aparelho de modo a evitar que este se mova ou caia, para evitar lesões ou danos no produto.

⚠ ADVERTÊNCIA

Tenha muito cuidado ao levantar ou inclinar a máquina para operações de manutenção, limpeza, armazenamento ou transporte. Os dentes são afiados: mantenha todas as partes do corpo afastadas dos dentes enquanto estiverem expostos.

MANUTENÇÃO

⚠ ADVERTÊNCIA

Utilize apenas peças de substituição, acessórios e encaixes do fabricante original. A inobservância desta indicação pode causar um fraco desempenho, possíveis lesões e poderá anular a sua garantia.

⚠ ADVERTÊNCIA

Os serviços de manutenção requerem extremo cuidado e conhecimentos e devem apenas ser realizado por um técnico de assistência qualificado. Repare o seu produto exclusivamente num centro de assistência autorizado. Durante as operações de manutenção, utilize peças de substituição originais do fabricante.

- Quando o produto estiver parado para a realização de tarefas de revisão, inspeção ou armazenamento, desligue a fonte de alimentação ou para mudar um acessório, desligue a alimentação eléctrica, desligue o produto da alimentação eléctrica e certifique-se de que todas as peças móveis estão completamente paradas. Deixe que a máquina arrefeça antes de realizar inspecções, ajustes, etc. Proceda à manutenção e limpeza cuidadosas do produto.

- Verifique frequentemente o coletor de detritos para identificar sinais de desgaste, furos ou deterioração.
- Pode realizar os ajustes e reparações descritos neste manual do utilizador. Para outros reparos ou conselhos, procurar a ajuda de um centro de serviço autorizado.
- Substitua as peças desgastadas ou danificadas por razões de segurança. Utilize apenas peças e acessórios de substituição genuínos.
- Limpar o produto com um pano suave seco depois de cada uso. Qualquer peça danificada deve ser substituída ou reparada adequadamente por um centro de serviço autorizado.
- Verifique todas as porcas, pregos e parafusos com intervalos frequentes para confirmar a tensão apropriada e se certificar que o produto está em condições seguras de funcionamento.
- Exerça cuidado ao ajustar o produto para evitar render os dedos entre os dentes móveis e partes fixas do produto.
- Ao efetuar a revisão dos dentes, note que embora a alimentação elétrica esteja desligada, os conjunto de dentes pode mover-se.
- Os dentes do produto são afiados. Tenha cuidado e use luvas pesadas ao encaixar, substituir, limpar ou verificar o parafuso de segurança.

DESBLOQUEAR

- Desligue o produto e desconecte-o da fonte de alimentação.
- Use sempre luvas pesadas de proteção ao verificar e eliminar uma obstrução. Os dentes são afiados e o bloqueio pode ser um objeto cortante.
- Retire o coletor de detritos, verifique e retire cuidadosamente quaisquer obstruções.
- Inspeccione a calha de descarga de relva, procurando obstruções e, cuidadosamente, retire quaisquer obstruções.
- Tombe o produto, assentando-o de lado e inspeccione a parte inferior e a área em torno dos dentes. Retire cuidadosamente quaisquer bloqueios encontrados.

RISCOS RESIDUAIS

Mesmo quando se utiliza o produto segundo as instruções, continua a ser impossível eliminar por completo certos fatores de risco residuais. Podem surgir os seguintes riscos durante o uso e o operador deve prestar especial atenção para evitar o seguinte:

- Lesões por vibração
 - Use sempre a ferramenta adequada para o trabalho. Utilize as pegas designadas. Limite o tempo de trabalho e a exposição.
- Lesões devido ao ruído
 - A exposição ao ruído pode provocar perda de audição. Use proteção para os ouvidos e limite o tempo de exposição.
- ferimentos causados pelo contacto com os dentes
- Ferimentos causados por objectos projectados

REDUÇÃO DO RISCO

Foi reportado que as vibrações das ferramentas de mão podem contribuir para uma doença designada de Síndrome de Raynaud em determinados indivíduos. Os sintomas podem incluir formigueiro, entorpecimento e empalidecimento dos dedos, habitualmente visível aquando da exposição ao frio. Estima-se que os fatores hereditários, exposição ao frio e humidade, dieta, tabagismo e práticas de trabalho contribuem todos para o desenvolvimento destes sintomas. Existem medidas que podem ser tomadas pelo operador para possivelmente reduzir os efeitos da vibração:

- Mantenha o seu corpo quente durante o tempo frio. Ao operar o produto, use luvas para manter as mãos e os pulsos quentes. Encontra-se reportado que o tempo frio é um grande factor que contribui para o Síndrome de Raynaud.
- Após cada período de operação, exercite para aumentar a circulação sanguínea.
- Faça pausas frequentes no trabalho. Limite o tempo de exposição por dia.

Caso sinta algum dos sintomas desta doença, interrompa de imediato a sua utilização e consulte o seu médico sobre estes sintomas.

⚠ ADVERTÊNCIA

O uso prolongado de uma ferramenta pode causar o agravar lesões. Ao usar qualquer ferramenta durante períodos prolongados, assegure-se que faz intervalos regulares.

CONHEÇA O SER APARELHO

Ver a página 132.

1. Botão de interruptor
2. Punhos
3. Gatilhos
4. Haste da pega superior
5. Botões
6. Chave sextavada
7. Dentes
8. Rodas traseiras
9. Rodas frontais
10. Cabo de extensão
11. Acessório do aerador
12. Alavanca reguladora da altura
13. Porta traseira
14. Coletor de resíduos
15. Haste da pega média
16. Cablagem
17. Gancho do cabo

SÍMBOLOS NO PRODUTO



Aviso



Agradecemos que leia atentamente as instruções antes de iniciar a máquina.



Use protecção para os ouvidos



Usar protecção para os olhos



Não o exponha à chuva ou a condições de humidade.



Tenha cuidado com os objectos voláteis ou lançados. Mantenha todos os espectadores, especialmente crianças e animais de estimação, a pelo menos 15 m da área de funcionamento.



Atenção aos dentes afiados. Os dentes continuam a rodar mesmo depois de desligar o motor. Retire a ficha da corrente elétrica antes de realizar qualquer tarefa de manutenção ou se o cabo estiver danificado.



Mantenha o cabo flexível afastado das pontas de corte.



Largura de trabalho: 35 cm



Classe II: A protecção contra descargas eléctricas baseia-se no duplo isolamento ou no isolamento reforçado.



Os aparelhos eléctricos antigos não devem ser eliminados juntamente com o lixo doméstico. Recicle onde existem instalações para o efeito. Verifique com as suas Autoridades Locais ou revendedor para obter informações sobre reciclagem.



Esta ferramenta obedece a todas as normas regulamentares do país da UE onde foi comprada.



Marca de conformidade EurAsian



Não trabalhe com o cortador em inclinações superiores a 15°. Utilize o aparelho na superfície de encostas, nunca para cima, nem para baixo.



Marca de conformidade ucraniana



O nível garantido de potência sonora mostrado neste rótulo é de 100 dB.

SÍMBOLOS NESTE MANUAL



As peças ou acessórios vendem-se separadamente



Nota



Aviso

As seguintes palavras de sinal e significados destinam-se a explicar os níveis de risco associados a este produto.

⚠ PERIGO

Indica uma situação perigosa iminente, que, se não evitada, poderá resultar em morte ou ferimentos graves.

⚠ ADVERTÊNCIA

Indica uma situação potencialmente perigosa, que, se não evitada, poderá conduzir à morte ou graves lesões.

⚠ ADVERTÊNCIA

Indica uma situação potencialmente perigosa, que, se não evitada, poderá resultar em pequenas ou moderadas lesões.

ADVERTÊNCIA

Sem símbolo de alerta de segurança Indica uma situação que pode resultar em danos de propriedade.

Sikkerhed, ydeevne og pålidelighed er blevet givet topprioritet i designet af din elektriske mosfjerner eller plænelufter.

TILTÆNKTE ANVENDELSESFORMÅL

Den elektriske mosfjerner eller plænelufter er kun beregnet til udendørs brug. Alle fire hjul skal røre ved jorden, mens mosfjernereren eller plænelufteren kører.

Produktet er udstyret med tænder til mosfjerning på private græsplæner.

Produktet, der er udstyret med et plænelufter-modul, er designet til at skabe huller i jorden for at reducere jordkomprimering.

Produktet er en fodgængerstyret lysnetdrevet mosfjerner, der er designet til at blive skubbet for hånd. Produktet bør ikke trækkes eller rides på. Den bør ikke bruges til at klippe andet en private græsplæner.

Må ikke bruges til andre formål.

GENERELLE SIKKERHEDSADVARSLER FOR EL-VÆRKTØJ

⚠ ADVARSEL

Når produktet anvendes, skal sikkerhedsreglerne overholdes. Af hensyn til egen og andres sikkerhed skal man læse denne brugsanvisning, inden produktet anvendes. Disse sikkerhedsregler skal opbevares med henblik på senere brug.

PERSONLIG SIKKERHED

- Produktet er i stand til at amputere hænder og fødder og kaste genstande ud. Manglende overholdelse af samtlige sikkerhedsinstrukser kan have alvorlige skader, eller i værste fald døden, til følge.
- Sørg for at blive fortrolig med betjeningselementerne samt den korrekte brug af produktet.
- Lad aldrig børn eller personer med begrænsede fysiske, sensoriske eller mentale evner eller personer, som ikke er bekendt med denne brugsanvisning, benytte, rengøre eller vedligeholde produktet. Lokale love kan have indflydelse på den tilladte brugerage. Børn bør holdes under tilstrækkeligt opsyn, så man er sikker på, at de ikke leger med produktet.
- Når man bruger produktet, skal man være agtpågivende, iagttage hvad man gør og bruge sund fornuft. Undlad at bruge dette produkt, hvis du er træt, syg eller påvirket af alkohol, narkotika eller medikamenter. Et kort koncentrationssvigt, mens man betjener maskinen, kan medføre alvorlige personskader.
- Bær kraftige, lange bukser, trøje med lange ærme, robust og skridsikkert fodtøj. Bær ikke korte bukser, sandaler, og gå ikke barfodet. Undgå at bære løstsiddende tøj eller frit hængende snører eller slips.
- Vær altid sikkerhedsbriller med sidebeskyttelse.
- Overstræk ikke. Sørg altid for at have godt fodfæste, især på skråninger. Hold et godt fodfæste og balance. Gå, løb aldrig.

- Kør produktet på tværs af skråninger, aldrig op og ned. Udvis stor forsigtighed når græsslåmaskinen vendes på bakker.
- Undgå at bruge produktet nær skrænter, grøfter, meget stejle skåninger eller diger. Dårligt fodfæste kan føre til tab af balance og faldulykker.

ARBEJDSOMGIVELSER

- Brug aldrig maskinen, når der er personer, især børn, eller dyr i nærheden.
- Genstande, der rammes af mosfjernereren, kan forårsage alvorlige skader på personer. Inspicér omhyggeligt det område, hvor maskinen skal anvendes, og fjern alle sten, pinde, metaldele, ledninger, ben, legetøj eller andre fremmedlegemer.
- Brug produktet i dagslys eller god kunstig belysning.
- Brug ikke maskinen i eksplosive omgivelser som fx i nærheden af brandbar væske, gas eller støv. Værktøjet kan udløse gnister, som kan antænde støvet eller dampene.
- Brug ikke maskinen på fugtige, våde steder eller i regnvejr.
- Maskinen må ikke anvendes på en stenlagt eller grusoverflade, hvor udslyngt materiale kan forårsage personskader.
- Brug kun produktet på en plan overflade ved tohåndsbetjening med føreren bag håndtaget.
- Undgå at bruge mosfjernereren i dårligt vejr, især når der er risiko for lynnedslag.
- Husk, at brugeren selv er ansvarlig for ulykker eller farer, som andre personer bliver udsat for.
- Tragiske yheld kan forekomme hvis brugeren ikke er klar over tilstedeværelsen af børn. Tag det aldrig for givet, at børn bliver stående det sted du sidst så dem.
- Hold børn fra arbejdsområdet og hold dem under opsyn af en ansvarlig voksen, der ikke selv anvender plæneklipperen. Vær opmærksom, og sluk for produktet, hvis børn bevæger sig ind på arbejdsområdet.
- Vær ekstra forsigtig, når du nærmer dig blinde hjørner, buske, træer og andre ting, herunder overhængende buske, der kan blokere dit udsyn.

ELEKTRISK SIKKERHED

- Elværktøjets elstik skal passe til stikkontakten. Elstikket må aldrig modificeres på nogen som helst måde. Undlad brug af adapterstik til jordede (stelforbundne) elværktøjer. Umodificerede elstik og passende elnetkontakter reducerer faren for elektrisk stød.
- Undgå utilsigtet start af enheden. Kontrollér altid, at kontakten er i pos. Off (=slukket), inden produktet sluttes til strømforsyningen. Flyt ikke produktet med fingeren på startknappen, mens det er tilsluttet strøm.
- Undgå kropskontakt med jordede eller stelforbundne overflader som fx rør, radiatorer, komfurer og køleskabe. Der er forøget risiko for elektrisk stød, hvis din krop er forbundet med jord eller stel.
- Dette produkt må ikke udsættes for regn eller fugt. Hvis der trænger vand ind i et produkt, øges faren for elektrisk stød.

EN
FR
DE
ES
IT
NL
PT
DA
SV
FI
NO
RU
PL
CS
HU
RO
LV
LT
ET
HR
SL
SK
BG
UK
TR

- Strømmen skal tilføres via et fejlstrømsmodul (RCD) med en udløsestrøm på max 30 mA.
- Inden ibrugtagning skal du kontrollere strømforsynings- og forlængerledninger for tegn på skader eller ældning. Hvis en ledning bliver beskadiget under brug, skal man straks trække stikket ud af lysnetkontakten. Beskadigede ledninger kan føre til kontakt med strømførende dele. **Undlad at røre ved kablet, før det er slukket for strømmen.** Undlad at bruge maskinen, hvis ledningen er beskadiget eller slidt.
- Hvis ledningen er beskadiget, skal den udskiftes af en kvalificeret person med et nyt ledningssæt, som fås hos producenten. Manglende overholdelse af denne anvisning kan medføre alvorlig skade på dig selv og andre personer, herunder elektrisk stød.
- Hvis man skal bruge en forlængerledning, skal man sikre sig, at den er velegnet til udendørs brug og har en mærkekapacitet, der er tilstrækkelig til at forsyne produktet. Forlængerledningen skal være mærket med enten "H05 RN F" eller "H05 VV F". Kontrolleres for skader inden ibrugtagning; skal altid være rullet ud under brug, da oprullede ledninger kan blive overophedet. Udskift beskadigede forlængerledninger med en tilsvarende type. Reparer ikke beskadigede forlængerledninger.
- Sørg for at holde forlængerledninger på afstand af farlige dele i bevægelse for at undgå beskadigelse af ledninger, der kan medføre kontakt med strømførende dele.
- Kontrollér, at strømforsyningskablet er positioneret, så det ikke kan blive beskadiget af skærende genstande, så ingen træder på det eller falder over det, eller så det ikke på anden måde udsættes for skade eller belastning.
- Produktet må aldrig løftes eller bæres i strømforsyningskablet.
- Træk aldrig i selve kablet, når stikket skal hives ud af kontakten.
- Hold strømforsyningsledningen på afstand af varme, olie og skarpe kanter.
- Kontrollér, at spændingen passer til produktet. En navneplade på produktet indikerer enhedens spænding. Produktet må aldrig sluttes en til vekselstrømsspænding, der afviger fra denne spænding.
- Sørg altid for, at ledningen fra håndtaget til mosfjernerens aldrig bliver fanget, klemt eller på anden måde beskadiget under montering eller sammenfoldning af håndtaget. Sæt aldrig strøm til produktet, hvis kablet er beskadiget. Lad kun et autoriseret serviceværksted servicere produktet.
- En kortvarig spændingsspid forårsager spændingsudsving og kan påvirke andre elektriske produkter på samme elledning. Tilslut produktet til en strømforsyning med en impedans svarende til 0,452Ω (RY1400SF35A, RY1400SF35B) Ω eller mindre for at minimere spændingsudsving. Kontakt din elforhandler for yderligere oplysninger.

SIKKERHEDSADVARSLER FOR ELEKTRISK MOSFJERNER OG PLÆNELUFTER

- Tænderne på produktet er skarpe. Vær forsigtig, og benyt kraftige handsker, når du monterer, udskifter, rengør eller kontrollerer boltsikkerheden.
- Kontroller, at alle skruer, møtrikker, bolte og andre fastgørelser er anbragt forsvarligt, og alle afskærmninger er på plads. Udskift beskadigede eller ulæselige mærkater.
- Udskift slidte eller beskadigede dele, inden produktet tages i brug.
- Installer opsamlere, inden du anvender mosfjernerens. Tøm opsamlere, når den er fuld, og geninstaller før du genoptager brugen.
- Produktet skal startes med brugeren placeret bag styrene i operatørens sikkerhedszone. Produktet må aldrig startes, hvis:
 - alle fire hjul ikke hviler på jorden
 - udkastet er åbent og ikke beskyttet af opsamlere og afskærmningen
- Produktet må aldrig benyttes, hvis Tænd/Sluk-kontakten på styret ikke formår at starte og stoppe produktet korrekt.
- Lås aldrig afbryderen i tændt position. Dette er meget farligt.
- Undlad at tvinge produktet. Produktet klarer opgaven bedre og sikrere med den hastighed, det er beregnet til.
- Stop tænderne, når du krydser grusoverflader.
- Vær yderst forsigtig, når produktet vendes eller trækkes hen mod dig.
- Stop tænderne, hvis produktet skal vippes under transport, når man krydser andre overflader end græs, og når man transporterer produktet til og fra arbejdsområdet.
- Brug aldrig produktet med defekte afskærmninger eller uden sikkerhedsanordninger såsom deflektorer og/eller opsamlere på plads.
- Vip ikke produktet, når du tænder for motoren, medmindre maskinen skal vippes for at starte. Hvis det er absolut nødvendigt, kan du kun løfte den del, der er væk fra operatøren. Sørg altid for, at have begge hænder i arbejdsstilling, før maskinen sættes tilbage på jorden.
- Tænd forsigtigt for produktet i henhold til anvisningerne, og hold hænder og fødder væk fra tænderne. Anbring aldrig hænder eller fødder i nærheden af eller under roterende dele. Hold også altid væk fra udtømningsområdet.
- Løft eller bær aldrig produktet med kørende motor.
- Hold el- og forlængerledningen væk fra tænderne.
- Sluk produktet, og kobl det fra strømforsyningen. Kontrollér, at alle bevægelige dele er standset fuldstændigt:
 - når man efterlader produktet uden opsyn (herunder ved bortskaffelse af græsafklip).
 - før du fjerner blokerede genstande eller renser græsudkastet
 - inden kontrol, rengøring eller arbejde på produktet

- efter at man har ramt et fremmedlegeme; inspicér udstyret for skader, og foretag de nødvendige reparationer inden genstart og benyttelse af maskinen.
- Hvis produktet begynder at vibrere unormalt meget, skal du straks kontrollere:
 - inspicér for skader
 - udskift eller reparér alle beskadigede dele
 - kontrollér og efterspænd evt. løse dele
- Undgå huller, riller, buler, sten eller lignende. Ujævnt terræn kan føre til tab af balance og faldulykker.
- Slip håndtaget øjeblikkeligt og hold dig væk fra produktet, hvis:
 - produktet brænder
 - afskærmningen og/eller huset er ødelagt
 - der opstår unormale lyde
 - alle ulykker eller sammenbrud finder sted

⚠ ADVARSEL

Sørg for, at tænderne er helt stoppet, før du fjerner eller installerer opsamleren.

⚠ ADVARSEL

Berør ikke bevægelige, farlige dele, før produktet er blevet afbrudt fra strømforsyningen og de bevægelige, farlige dele er stoppet fuldstændigt.

SIKRINGSANORDNING

Produktet har en overbelastningsbeskyttelse. Når der registreres en overbelastning, vil produktet automatisk slukke. Hvis overbelastningssikringen aktiveres, skal motoren have lov til at køle af i 5 til 10 minutter.

Sluk produktet, og kobl det fra strømforsyningen. Brug kraftige handsker, når du rører ved tænderne, da de er meget skarpe. Sørg for, at tænderne kan rotere frit rundt og ikke sidder fast eller er stramme.

Når motoren er kølet af, skal stikket tilsluttes til strømforsyningen, hvorefter der tændes for produktet. Tryk først på Start-knappen og dernæst på Tænd/Sluk-knappen for at starte produktet. Hvis produktet stadig ikke vil starte, så få det servicert udelukkende af en autoriseret serviceværksted.

TIPS TIL GENERAL ANVENDELSE AF MOSFJERNEREN

- Juster skæredybden efter behov for din græsplæne og længden på græsset.
- Klip din græsplæne og anvend mosdræber en uge før du planlægger mosfjernelse, hvis din græsplæne har et problem med mos.
- Vand din græsplæne et par dage inden mosfjernelse for at sikre dig, at din græsplæne er fugtig, men ikke for våd.

TRANSPORT OG OPBEVARING

- Afrens alle fremmedlegemer fra produktet. Opbevar den på et køligt, tørt og godt ventileret sted utilgængeligt for børn. Sørg for, at produktet ikke kommer i nærheden af korrosive stoffer såsom havekemikalier og strøsalt. Opbevar ikke produktet udendørs
- Til transport skal man sikre produktet, så den ikke kan bevæge sig eller vælte; dette for at forebygge personskader eller skader på produktet.

⚠ ADVARSEL

Vær meget forsigtig, når du løfter eller vipper maskinen i forbindelse med vedligeholdelse, rengøring, opbevaring eller transport. Hold alle kroksdele på afstand af tænderne, mens den er blottede.

VEDLIGEHOLDELSE

⚠ ADVARSEL

Brug kun originale reservedele, ekstraudstyr og tilbehør fra producenten. I modsat fald er der fare for personskader, dårlig maskinydelse og annullering af garantien.

⚠ ADVARSEL

Vedligeholdelse kræver stor omhyggelighed og viden og bør kun udføres af en kvalificeret tekniker. Lad kun et autoriseret serviceværksted servicere produktet. Brug kun originale reservedele fra maskinproducenten i forbindelse med servicearbejde.

- Når produktet stoppes til servicering, eftersyn eller opbevaring eller skift af tilbehør, skal du slukke for strømkilden, afbryde forbindelsen til strømforsyningen og sørg for, at alle bevægelige dele er stoppet. Lad maskinen køle af, inden der foretages inspektioner, justeringer, mv. Vedligehold produktet omhyggeligt, og hold det rent.
- Tjek ofte opsamleren for slid, huller eller svagheder.
- Du kan lave justeringer og reparationer beskrevet i denne brugervejledning. For andre reparationer eller råd skal man søge assistance på et autoriseret servicecenter.
- Af sikkerhedshensyn skal slidte eller beskadigede dele udskiftes. Brug kun originale reservedele og tilbehør.
- Produktet skal rengøres med en blød klud efter hver brug. Enhver del, som bliver beskadiget, skal repareres korrekt eller udskiftes hos et autoriseret servicecenter.
- Tjek ofte alle møtrikker, bolte og skruer om de sidder godt fast, og sørg for at produktet fungerer ordentligt.
- Vær forsigtig under justering af produktet for at forhindre, at fingrene fanges mellem de bevægelige tænder og ubevægelige dele af produktet.
- Ved servicering af tænderne vær opmærksom på, at selv om der er slukket for strømmen, kan tænderne stadig bevæge sig.

EN
FR
DE
ES
IT
NL
PT
DA
SV
FI
NO
RU
PL
CS
HU
RO
LV
LT
ET
HR
SL
SK
BG
UK
TR

- Tænderne på produktet er skarpe. Vær forsigtig, og benyt kraftige handsker, når du monterer, udskifter, rengør eller kontrollerer boltsikkerheden.

RYDNING AF BLOKERINGER

- Sluk produktet, og kobl det fra strømforsyningen.
- Benyt altid kraftige beskyttelseshandsker, når du kontrollerer og afhjælper en tilstopning. Tænderne er skarpe, og selve tilstopningen kan være en skarp genstand.
- Fjern samleren, kontrollér og fjern forsigtigt genstande, som sidder fast.
- Kontrollér for og fjern forsigtigt tilstopninger i græsudkasterafskærmningen.
- Vend produktet om på siden, kontrollér produktets undersiden og området rundt om tænderne. Fjern forsigtigt alle tilstopninger.

UUNDGÅELIGE RISICI

Selv om produktet anvendes som foreskrevet, er det stadig umuligt at eliminere visse uundgåelige risikofaktorer fuldstændigt. Følgende risici kan opstå under brug, og operatøren bør være særligt opmærksom for at undgå følgende:

- Personskader forårsaget af vibration
 - Brug altid det korrekte værktøj til arbejdsopgaven. Brug de dertil beregnede håndtag. Begræns arbejdstid og udsættelse.
- Personskader forårsaget af støj
 - Eksponering for støj kan medføre høreskader. Benyt høreværn, og begræns eksponering.
- Personskade ved kontakt med spidser
- personskade forårsaget af udslyngede genstande

RISIKOREDUKTION

Der er rapporteret om, at vibrationer fra håndholdte værktøjer kan være medvirkende til en lidelse kaldet Raynauds syndrom hos visse personer. Symptomerne herpå kan være prikken, følelsesløshed og blegning af fingrene, der normalt viser sig ved kuldepåvirkning. Faktorer som arvelighed, udsættelse for kulde og fugt, kost, rygning og arbejdsvaner menes alle at medvirke til udviklingen af disse symptomer. Der findes forholdsregler, som operatøren kan træffe for at begrænse påvirkningen fra vibrationer:

- Hold kroppen varm i koldt vejr. Brug handsker, så hænder og vriste holdes varme under arbejdet. Der er rapporteret om, at koldt vejr er en væsentlig faktor til Raynauds syndrom.
- Motionér efter hver arbejdsperiode for at øge blodcirkulationen.
- Hold hyppige arbejds pauser. Begræns eksponeringen for vibrationer pr. dag.

Hvis du mærker nogen af symptomerne på denne tilstand, skal du straks ophøre med arbejdet og søge læge.

⚠ ADVARSEL

Længere tids brug af et værktøj kan forårsage - eller forværre - personskader. Når man bruger et værktøj i længere perioder ad gangen, skal man huske at holde hyppige pauser.

KEND PRODUKTET

Se side 132.

1. Kontaktknap
2. Styrehåndtag
3. Udløser
4. Øvre håndtagstang
5. Knapper
6. Sekskantnøgle
7. Tænder
8. Baghjul
9. Forhjul
10. Forlængerledning
11. Plæneluffermodul
12. Højdeindstillingsstang
13. Bagdør
14. Opsamler
15. Midterste håndtagstang
16. Ledninger
17. Kabelkrog

SYMBOLER PÅ PRODUKTET



Sikkerheds Varsel



Læs venligst vejledningen grundigt igennem før maskinen tages i brug.



Bær høreværn



Benyt øjenværn



Må ikke udsættes for regn eller bruges på fugtige steder.



Pas på udslyngede eller flyvende objekter. Sørg for, at tilskuere (især børn og dyr) har mindst 15 m afstand fra arbejdsområdet.



Vær forsigtig, skarpe tænder. Tænderne fortsætter med at rotere efter slukning af motor. Fjern stikproppen fra netstrømmen inden vedligeholdelse, eller hvis ledningen er beskadiget.



Hold det fleksible strømforsyningskabel på afstand af knivene.



Arbejdsbredde: 35 cm



Klasse II: Beskyttelsen mod elektrisk stød beror på dobbelt isolering eller forstærket isolering.



Elektriske affaldsprodukter bør ikke afskaffes sammen med husholdningsaffald. Genbrug venligst hvor faciliteterne tillader dette. Tjek med din lokale kommune eller forhandler for genbrugsråd.



Dette redskab overholder alle lovkrav og standarder i det EU-land, hvor det er købt.



EurAsian overensstemmelsesmærke



Kør ikke på hældninger større end 15°. Kør produktet på tværs af skråninger, aldrig op og ned.



Ukrainsk overensstemmelsesmærke

001



Det garanterede lydtryksniveau vist på denne mærkat er 100 dB.

SYMBOLER I DENNE BRUGSANVISNING



Dele eller tilbehør, der sælges separat



Bemærk



Advarsel

De følgende ikoner og betydninger er beregnet til at forklare risikoen involveret i at anvende denne enhed.

⚠ FARE

Indikerer en meget farlig situation, som hvis ikke undgås, kan føre til alvorlige skader og i værste fald døden.

⚠ ADVARSEL

Indikerer en potentielt farlig situation, som hvis ikke undgås, kan føre til alvorlige skader og i værste fald døden.

⚠ PAS PÅ

Indikerer en potentielt farlig situation, som hvis ikke undgås, kan føre til mindre eller moderate skader.

PAS PÅ

Uden sikkerhedsadvarselssymbol
Indikerer en situation, som kan medføre materiel skade.

Säkerhet, prestanda och pålitlighet har fått högsta prioritet vid utformningen av din elektriska hackare eller luftare.

ANVÄNDNINGSSOMRÅDE

Den elektriska hackaren eller luftaren är endast avsedd för utomhusbruk. Alla fyra hjulen ska vidröra marken vid hackning eller luftning.

Produkten är utrustad med hackande tändar som är avsedda för hackning av gräsmattor för hushållsbruk.

Produkten är utrustad med ett tillbehör för luftare som är avsett att skapa hål i jorden för att minska jordkomprimering. Produkten är en nätansluten gräshackare som styrs genom att man går bakom den och är avsedd att skjutas fram för hand. Produkten skall inte dras eller användas för att åka på. Den får endast användas för att klippa villagräsmattor, inte i något annat syfte.

Får ej användas för annat ändamål.

ALLMÄNNA SÄKERHETSFORESKRIFTER FÖR ELVERKTYG

⚠ VARNING

När man använder produkten måste säkerhetsföreskrifterna följas. För din egen, och andra närvarandes säkerhet, läs alltid dessa instruktioner innan du använder produkten. Förvara instruktionerna på ett säkert ställe för användning vid senare tillfälle.

PERSONLIG SÄKERHET

- Produkten kan kapa av händer och fötter och slunga ut föremål. Att inte följa alla säkerhetsinstruktioner kan resultera i allvarlig skada eller dödsfall.
- Bekanta dig med reglagen och rätt användning av produkten.
- Se till att barn eller personer med nedsatt fysisk eller psykisk förmåga, eller personer som inte är bekanta med dessa instruktioner, aldrig använder, rengör eller utför underhåll på produkten. Lokala regler kan åldersbegränsa användningen av gräsklipparen. Barn ska alltid övervakas så att de inte leker med produkten.
- Var på din vakt, håll reda på vad du gör och använd sunt förnuft vid drift av enheten. Använd inte den här enheten när du är trött, sjuk eller under påverkan av alkohol, droger eller mediciner. Ett ögonblicks uppmärksamhet vid användningen av maskinen kan leda till allvarliga personskador.
- Använd tjocka långbyxor, långa ärmar och stadiga halksäkra skor. Bär inte korta byxor eller sandaler, gå inte heller barfota. Undvik att bära kläder som sitter löst eller som har hängande bälten och slips.
- Bär alltid säkerhetsglasögon med sidoglas.
- Sträck dig inte. Se till att du har ordentligt fotfäste, speciellt i lutningar. Bibehåll ett bra fotfäste och bra balans. Gå. Spring aldrig.
- Använd produkten tvärs lutningar, aldrig upp och ner. Var extremt försiktig när du byter riktning i en sluttning.
- Använd inte produkten vid höjdskillnader, diken, alltför

branta lutningar eller kullar. Dåligt fotfäste kan resultera i halkningsolyckor.

ARBETSMILJÖ

- Använd aldrig maskinen i närheten av människor, speciellt barn, eller husdjur.
- Föremål som träffas av hackarens tändar kan orsaka allvarliga personskador. Inspektera noggrant arbetsområdet där maskinen ska användas och ta bort alla stenar, pinnar, metallföremål, strängar, ben, leksaker eller andra främmande föremål.
- Använd produkten på dagtid eller med tillräcklig belysning.
- Använd inte maskinen i explosiva atmosfärer, till exempel i närheten av brännbara vätskor, brännbara gaser eller damm. Verktyget kan skapa gnistor som kan antända damm och ångor.
- Använd inte maskinen om gräset är blött eller om det regnar.
- Kör inte maskinen på asfalterad eller grusad mark där utskjutet material skulle kunna orsaka skada.
- Använd endast produkten på en jämn yta genom att använda båda händerna under drift med operatören bakom styret.
- Undvik att använda hackaren vid dåligt väder särskilt när det finns risk för blixtnedslag.
- Kom ihåg att användaren är ansvarig för olyckor och faror som uppstår för andra människor och deras egendom.
- Tragiska olyckor kan ske om användaren inte är uppmärksam på om barn är i närheten. Anta aldrig att barn kommer att vara kvar där du senast såg dem.
- Håll barn borta från gräsklippningsområdet och under uppsikt av en ansvarig vuxen annan än operatören, var uppmärksam och stäng av produkten om ett barn kommer in i området.
- Var extra försiktig när du närmar dig hörm utan fri sikt, buskar, träd eller andra föremål, inklusive överhängande buskar som kan blockera ditt synfält.

ELEKTRISK SÄKERHET

- Elkontakter måste passa i uttaget. Modifiera inte kontakten på något sätt. Använd inga adapterkontakter med jordade kraftverktyg. Omodifierade kontakter och matchande uttag minskar risken för elektrisk stöt.
- Undvik oavsiktlig start. Kontrollera att reglaget är i Off-läget innan produkten kopplas till strömförsörjning. Bär inte ett inkopplat verktyg med dina fingrar på strömbrytaren.
- Undvik kroppskontakt med jordade ytor, som exempelvis rör, element, spis och kylskåp. Det föreligger en förhöjd risk för elektrisk stöt om din kropp är jordad.
- Exponera inte produkten för regn eller våta förhållanden. Om vatten kommer in i maskinen ökar risken för elektrisk stöt.
- Strömförsörjningen ska ske via en jordfelsbrytare (RCD) med en utlösningssström som inte får överstiga 30 mA.



- Före användning ska kabel och förlängningskabel kontrolleras så att det inte finns tecken på skador eller åldring. Om kabeln skadas under användning ska den kopplas från eluttaget omedelbart. Skadade sladdar kan resultera i kontakt med strömförande delar. **Rör inte vid kabeln innan strömförsörjningen är fränkopplad.** Använd inte produkten om kabeln är skadad eller sliten.
- Om strömsladden är skadad, skall den bytas ut av en fackman och ersättas med en ny kabeluppsättning som är tillgänglig från tillverkaren. Underlåtenhet att följa denna instruktion kan leda till personskada på dig själv eller andra, inklusive elstötar.
- Om du måste använda förlängningskabel ska du kontrollera att den är för utomhusbruk och har tillräcklig kapacitet för att fungera med verktyget. Förlängningskabeln ska vara märkt med antingen "H05 RN F" eller "H05 VV F". Kontrollera om det finns skador inför varje användning, rulla ut den under användning eftersom hoprullade kablar kan överhettas. Byt ut skadade förlängningssladdar mot en likvärdig typ. Reparera inte skadade förlängningssladdar.
- Säkerställ att du håller förlängningssladdar borta från rörliga delar för att undvika skada på sladdarna, vilket kan resultera i kontakt med strömförande delar.
- Se till att kabeln är placerad så att den inte kan skadas under arbetet och att ingen kliver på den, ingen snubblar på den och kabeln inte på något sätt utsätts för påfrestringar.
- Lyft aldrig upp- eller bär produkten i el-kabeln.
- Dra aldrig ur kontakten ur väggen genom att dra i kabeln.
- Håll el-kabeln borta från värme, olja och skarpa kanter.
- Kontrollera att spänningen är korrekt för produkten. På en skylt på produkten anges strömstyrkan (volt). Koppla aldrig produkten till en växelströmsstyrka som skiljer från denna.
- Säkerställ alltid att sladden som går från styret till hackarens hölje aldrig fastnar, kläms eller på annat sätt skadas vid montering eller när handtaget fälls in. Strömsätt aldrig produkten om kabeln är skadad. Produkten får endast repareras på ett auktoriserat servicecenter.
- En spänningstopp kan ge spänningsvariationer och påverka andra elektriska produkter i samma elkrets. Anslut verktyget till strömkälla med motstånd motsvarande högst $0,452\Omega$ (RY1400SF35A, RY1400SF35B) för att minimera spänningsvariation. Kontakta din elektriker för ytterligare klargöranden.

SÄKERHETSVARNINGAR FÖR ELEKTRISK HACKARE OCH LUFTARE

- Produktens tändar är vassa. Var extremt försiktig och använd grova arbetshandskar vid montering, byte eller kontroll av muttrar.
- Säkerställ att alla skruvar, muttrar, bultar och andra fästaneländningar sitter fast ordentligt samt att skyddet och skärmarna sitter på plats. Byt ut skadade eller oläsliga skyltar.
- Ersätt slitna och skadade delar innan produkten används.
- Installera skräppupsamlaren före du hackar. Töm skräppupsamlaren när den är full och återinstallera den före du återupptar drift.
- Produkten måste startas med operatören på plats bakom styret, i operatörens säkerhetszon. Starta aldrig produkten om:
 - alla fyra hjulen inte är på marken
 - skräputkastet är exponerat och skyddas inte av skräppupsamlaren och skräputkastets lock.
- Kör aldrig produkten om inte på/av-kontakten startar resp. stoppar produkten ordentligt.
- Lås aldrig PÅ/AV-strömbrytaren i läget PÅ, det är extremt farligt.
- Tvinga inte produkten. Verktyget fungerar bäst och mest effektivt om du jobbar i den takt som det är avsett för.
- Stanna tändarna när du korsar grusytor.
- Var extremt försiktig vid backning eller då maskinen dras i riktning mot dig.
- Stanna tändarna om produkten behöver lyftas för transport när du korsar andra ytor än gräs och när du transporterar produkten till och från arbetsområdet.
- Använd aldrig produkten med defekta skydd eller utan säkerhetsanordningar på plats, tex. deflektorer och/eller skräppupsamlare.
- Luta inte produkten när du startar motorn, förutom när maskinen måste lutas för att starta. Om absolut nödvändigt kan du lyfta endast den del som befinner sig bort från operatören. Säkerställ alltid att båda händerna befinner sig i driftläge före du återför maskinen till marken.
- Starta produkten försiktigt enligt anvisningarna och håll händer och fötter borta från tändarna. Placera inte händerna eller fötterna nära eller under roterande delar. Håll alltid undan från utkastöppningen.
- Lyft aldrig upp och bär produkten när motorn är i gång.
- Håll ström- och förlängningssladd borta från tändarna.
- Stäng av produkten och koppla bort den från elnätet. Se till att samtliga rörliga delar har stannat helt:
 - när du lämnar produkten utan överinseende (inklusive bortskaffande av gräsklipp).
 - innan du rensar en blockering eller tar bort gräs som fastnat i utkastet
 - före kontroll av, rengöring av eller arbete med produkten
 - efter att träffat främmande föremål (kontrollera produkten så den inte skadats, reparera vid behov före omstart och före användning av produkten).
- Om produkten börjar vibrera onormalt, kontrollera omedelbart för att:
 - inspektera för ev. skador
 - byt ut eller reparera alla skadade delar
 - kontrollera och sätt fast ev. lösa delar
- Undvik hål, hjulspår, gupp, stenar och andra dolda föremål. Ojämn terräng kan orsaka halkolyckor.
- Släpp handtaget omedelbart och håll dig borta från produkten om:
 - produkten tar fyr

EN
FR
DE
ES
IT
NL
PT
DA
SV
FI
RU
PL
CS
HU
RO
LV
LT
ET
HR
SL
SK
BG
UK
TR



- skyddet och/eller höljet är sprucket
- ett onormalt ljud uppstår
- om en olycka eller ett motorstopp sker

⚠ VARNING

Säkerställ att tänderna har stannat helt före du tar bort eller installerar skräppupsamlaren.

⚠ VARNING

Vidrör inte farliga rörliga delar innan produkten har kopplats bort från strömförsörjningen/batteripaketet och de farliga rörliga delarna har stannat helt och hållet.

ENHETENS ÖVERLASTSKYDD

Produkten har ett överlastskydd. När överlast detekteras stängs produkten automatiskt av. Om överlastskyddet är aktiverat, måste motorn svalna i ca 5-10 minuter.

Stäng av produkten och koppla bort den från elnätet. Tänderna är vassa, bär tåliga arbetshandskar före du vidrör dem. Säkerställ att tänderna kan rotera fritt och inte sitter fast eller för hårt.

Efter att motorn har svalnat, anslut kontakten till strömförsörjningen och slå på produkten. Tryck på Start och sedan på På/Av-knappen för att starta produkten. Om produkten inte startar, får den endast repareras på ett auktoriserat servicecenter.

ALLMÄNNA HACKNINGSTIPS

- Justera skärdjupet efter gräsmattans behov och grässets längd.
- Klipp gräsmattan och tillämpa mossdödande medel en vecka före planerad hackning om gräsmattan har problem med mossor.
- Vattna gräsmattan några dagar före hackning för att säkerställa att gräsmattan är fuktig men inte alltför våt.

TRANSPORT OCH FÖRVARING

- Ta bort allt främmande material från produkten. Förvara den valt och välventilerat på en plats där barn inte kan komma åt den. Håll produkten borta från frätande ämnen, såsom trädgårdskemikalier och vägsalt. Förvara inte produkten utomhus.
- Vid transport ska produkten säkras mot rörelser eller fallande för att förhindra personskador eller att produkten skadas.

⚠ VARNING

Var extra försiktig då maskinen lyfts eller lutas för underhåll, rengöring, förvaring eller transport. Tänderna är vassa, håll alla kroppsdelar borta från tänderna när de är exponerade.

UNDERHÅLL

⚠ VARNING

Använd enbart reservdelar och tillbehör från tillverkaren. Om inte kan det eventuellt orsaka skador, sämre resultat och kan upphäva garantin.

⚠ VARNING

Att serva produkten kräver extrem försiktighet och kunskap och bör endast utföras av en kvalificerad servicetekniker. Produkten får endast repareras på ett auktoriserat servicecenter. Under servicearbete ska enbart tillverkarens originaldelar användas.

- När produkten är stannad för underhåll, inspektion, förvaring eller vid utbyte av ett tillbehör, stäng av strömkällan, koppla bort produkten från strömförsörjningen och säkerställ att alla rörliga delar har stannat helt. Låt maskinen svalna före inspektioner, justeringar, etc. Underhåll produkten med försiktighet och håll den ren.
- Kontrollera skräppupsamlaren med frekventa mellanrum för slitage, hål eller försämring.
- Du kan göra de justeringar och reparationer som beskrivs i den här manualen. För andra reparationer eller för råd ska du alltid vända till auktoriserat servicecenter.
- Byt ut slitna eller skadade delar för bästa säkerhet. Använd enbart godkända ersättningsdelar och tillbehör.
- Efter rengöring ska maskinen alltid rengöras med en mjuk torr trasa. Skadade delar skall repareras ordentligt eller bytas ut av en auktoriserad servicefirma.
- För att vara säker på att produkten är säker att använda, kontrollera alla muttrar, bultar och skruvar regelbundet för att säkerställa att de är åtdragna ordentligt.
- Var försiktig vid justering av produkten för att förhindra att fingrar fastnar mellan rörliga tänder och produktens fixerade delar.
- Vid underhåll av tänderna, var medveten om att tänderna fortfarande kan röra sig även om strömkällan är avslagen.
- Produktens tänder är vassa. Var extremt försiktig och använd grova arbetshandskar vid montering, byte eller kontroll av muttrar.

TA BORT BLOCKERINGAR

- Stäng av produkten och koppla bort den från elnätet.
- Använd alltid grova arbetshandskar vid kontroll av och rensning av blockering. Tänderna är vassa och själva blockeringen kan vara ett vasst föremål.
- Avlägsna skräppupsamlaren, kontrollera och ta försiktigt bort blockeringar.
- Kontrollera och rengör försiktigt gräsutkastet efter blockeringar.
- Ställ produkten på dess sida, kontrollera undersidan och området runt tänderna. Ta försiktigt bort eventuella blockeringar som upptäckts.

KVARSTÅENDE RISKER

Även om produkten används enligt instruktionerna går det inte att eliminera alla eventuella kvarstående riskfaktorer. Följande risker kan uppstå vid användning och operatören ska vara extra uppmärksam för att undvika följande:

- Skada orsakad av vibration
 - Använd alltid rätt verktyg för jobbet. Använd avsedda handtag. Begränsa arbetstid och exponering.
- Skador orsakade av damm
 - Exponering för buller kan orsaka hörselskador. Använd hörselskydd och begränsa exponeringen.
- skada vid kontakt med spetsar
- personskada orsakad av utkastade föremål

RISKMINSKNING

Det finns rapporter om att vibrationer från handhållna verktyg kan bidra till ett tillstånd som kallas Raynauds syndrom för vissa personer. Symptomen brukar vara att det sticker i fingrarna och att de domnar bort; fingrarna kan också bli vita, särskilt vid kyla. Årftliga faktorer, kyla och fukt, diet, rökning och arbetsrutiner tros alla bidra till att orsaka dessa symptom. Det finns förebyggande åtgärder som du kan vidta för att försöka minska vibrationernas påverkan:

- Håll dig varm när du arbetar i kallt väder. Använd handskar för att hålla händer och handleder varma under användning. Kyla har rapporterats som en viktig del i utvecklandet av Raynauds syndrom.
- Träna och rör på dig efter varje användningstillfälle för att öka blodcirkulationen.
- Ta ofta pauser från arbetet. Begränsa tiden du utsätter dig varje dag.

Upphör omedelbart om du upplever några av dessa symptom och uppsök din läkare.

⚠ VARNING

Risk för person- eller slitageskador vid användning av verktyget under lång tid. Om verktyget används under längre perioder krävs regelbundna pauser.

LÄR KÄNNA PRODUKTEN

Se sida 132.

1. Omkopplingsknapp
2. Handtagsgrepp
3. Reglage
4. Övre handtagsskaft
5. Vred
6. Insexnyckel
7. Tänder
8. Bakhjul
9. Framhjul
10. Förlängningssladd
11. Tillbehör för luftare
12. Höjdjusteringsspak
13. Bakre lucka
14. Skräppupsamlare
15. Centralt handtagsskaft

16. Kablage
17. Kabelkrok

SYMBOLER PÅ PRODUKTEN



Säkerhetsvarning



Läs instruktionerna ordentligt innan start av maskinen.



Använd hörselskydd



Bär ögonskydd



Utsätt inte för regn eller våta omgivningar.



Se upp för kringkastade eller flygande föremål. Håll alla åskådare, särskilt barn och husdjur, på minst 15 meters avstånd från arbetsområdet.



Uppmärksamma de vassa tänderna. Tänderna fortsätter rotera efter att motorn har stängts av. Ta ut kontakten från elnätet innan underhåll eller om sladden är skadad.



Håll elkabeln borta från skärtänderna.



Arbetsbredd: 35 cm



Klass II: Skydd mot elektriskt stöt ges genom dubbelisolering eller förstärkt isolering.



Gamla elektroniska produkter ska inte kastas med hushållssoporna. Återvinn där sådana faciliteter finns. Kontrollera med din lokala myndighet eller säljaren för att få återvinningstips.



Uppfyller alla standarder i de EU-länder där produkten kan köpas.



EurAsian överensstämmelsesymbol



Använd inte i sluttningar som är brantare än 15°. Använd produkten tvärs lutningar, aldrig upp och ner.



Ukrainskt märke för överensstämmelse



Den garanterade ljudnivån som visas på denna etikett är 100 dB.

SYMBOLER I MANUALEN



Delar och utrustning säljs separat



OBS



Varning

Följande signalord och betydelser är tänkta att förklara de olika risknivåerna som är associerade med denna produkt.

FARA

Indikerar en överhängande farlig situation som kan, om den inte undviks, resultera i dödsfall eller allvarlig skada.

VARNING

Indikerar en potentiellt farlig situation som kan, om den inte undviks, resultera i dödsfall eller allvarlig skada.

PÅMINNELSE

Indikerar en potentiellt farlig situation som kan, om den inte undviks, resultera i mindre eller medelstora skador.

PÅMINNELSE

Utan säkerhetssymbol

Visar på en situation som kan orsaka skada på egendom.

Turvallisuus, tehokkuus ja käyttövarmuus ovat sähkökäyttöisen nurmikoneilytimemme tai -ilmaajamme tärkeimpiä ominaisuuksia.

KÄYTTÖTARKOITUS

Sähkökäyttöinen nurmikoneilytin tai -ilmaaja on tarkoitettu vain ulkokäyttöön. Nurmikkoa elvytetessä tai ilmatteessa kaikkien neljän pyörän on oltava kosketuksissa maahan.

Elvytyspiikeillä varustettu laite on suunniteltu kotipihojen nurmikoiden elvyttämiseen.

Laitteeseen liitettävällä ilmaajalisävarusteella maaperään tehdään reikiä, jotka vähentävät maan tiivistymistä.

Kone on kävellen ohjattava, käsin työnnettävä, sähkökäyttöinen nurmikoneilyttävä. Konetta ei saa vetää, eikä sen päällä saa olla käytön aikana. Sitä ei tule käyttää minkään muun kuin kodin nurmikon leikkaamiseen.

Älä käytä muihin tarkoituksiin.

SÄHKÖTYÖKALUJEN YLEISIÄ TURVALLISUUSVAROITUKSIA

VAROITUS

Noudata turvallisuussääntöjä tuotetta käytettäessäsi.

Oman ja sivullisten turvallisuuden vuoksi, lue nämä ohjeet ennen tuotteen käynnistämistä. Säilytä ohjeet tulevaa käyttöä varten.

KÄYTTÄJÄN TURVALLISUUS

- Laitte on riittävän voimakas leikkaamaan raajoihin ja sinkoamaan esineitä. Turvaohjeiden laiminlyönti voi aiheuttaa vakavia ruumiinvammoja tai kuoleman.
- Tutustu ohjaimiin ja tuotteen asianmukaiseen käyttöön.
- Älä koskaan salli lasten tai ihmisten, joiden fyysiset tai henkiset kyvyt tai aistit ovat heikentyneet, tai näitä ohjeita tuntemattomien käyttää, puhdistaa tai huoltaa tuotetta. Paikalliset säädökset saattavat asettaa rajastuksia käyttäjän iälle. Lapsia on pidettävä asianmukaisesti siimällä, jotta he eivät pääse leikkimään tuotteella.
- Ole valpas, katso mitä teet ja käytä tervettä järkeä, kun käytät tuotetta. Älä käytä tätä laitetta väsyneenä, sairaana tai huumeiden, alkoholin tai lääkkeiden vaikutuksen alaisena. Tarkkaamattomuus laitetta käytettäessä saattaa johtaa vakavaan loukkaantumiseen.
- Käytä kestäviä pitkiä housuja, pitkähihaista yläosaa ja vankkoja luistamattomia jalkineita. Älä käytä sortseja ja sandaaleja tai kulje avojaloin. Älä käytä löysiä vaatteita tai vaatteita, joista riippuu nuria tai siteitä.
- Käytä aina sivusuojilla varustettuja suojalaseja.
- Älä kurkota liian pitkälle. Seiso aina tukevasti, erityisesti rinteissä. Pidä vakaa tasapaino. Kävele, älä koskaan juokse.
- Käytä tuotetta rinteessä poikittain, ei ylös ja alas. Ole erityisen varovainen vaihtaessasi suuntaa rinteessä.
- Älä käytä tuotetta jyrkänteiden, oijen, hyvin jyrkkien

rinteiden tai töyräiden lähellä. Jos saatta huonon jalsansijan, voit liukastua, kaatua ja loukkaantua.

TYÖYMPÄRISTÖ

- Älä koskaan käytä laitetta, jos lähistöllä on ihmisiä, erityisesti lapsia, tai lemmikkejä.
- Muokkausterien sinkoamat esineet voivat aiheuttaa vakavia henkilövammoja. Tarkista huolella alue, jolla laitetta käytetään, ja poista kaikki kivet, tikut, metallikappaleet, johdot, luut, lelut ja muut vierasesineet.
- Käytä tuotetta ainoastaan päivänvalossa tai hyvässä keinovalossa.
- Älä käytä laitetta räjähdysalttiissa paikoissa, kuten helposti syttyvien nesteiden tai kaasujen tai pölyn läheisyydessä. Työkalu saattaa kipinöidä, mikä saattaa sytyttää pölyn tai höyryt.
- Älä käytä laitetta märässä ruohossa tai sateessa.
- Älä käytä laitetta päällystetyllä tai sorapinnalla, jossa singonneet materiaalit voivat aiheuttaa loukkaantumisen.
- Käytä konetta ainoastaan tasaisella pinnalla ohjaustangon takaa molemmin käsin ohjaamalla.
- Vältä käyttämästä konetta huonolla säällä, erityisesti, jos on odotettavissa salamointia.
- Muista, että ruohonleikkurin käyttäjä on vastuussa vahingoista ja vaaroista, jotka hän aiheuttaa muille ihmisille ja heidän omaisuuksilleen.
- Traagisia onnettomuuksia voi sattua, jos käyttäjä ei huomioi lasten paikallaoloa. Älä koskaan oletta, että lapset ovat edelleen siellä, missä näit heidät viimeksi.
- Pidä lapset poissa leikkuualueelta ja vastuullisen aikuisen - joka on muu kuin koneenkäyttäjä - valvovan silmän alla, ole valppaana ja katkaise laitteesta virta, jos lapsi tulee alueelle.
- Noudata erityistä varovaisuutta lähellä sokeita kulmia, pensaita, puita ja muita kohteita, kuten riippuvia pensaita, jotka voivat estää näkyvyyttä.

SÄHKÖTURVALLISUUS

- Pistokkeen on sovittava pistorasiaan. Älä koskaan muunna pistoketta millään tavalla. Älä käytä maadoitettujen sähkötyökalujen kanssa minkäänlaisia sovitinpistokkeita. Alkuperäiset pistokkeet ja niitä vastaavat pistorasiat pienentävät sähköiskun vaaraa.
- Varo tahatonta käynnistystä. Tarkista aina, että kytkin on OFF-asennossa, ennen kuin kytket tuotteen virtalähteeseen. Älä kannu tuotetta, joka on kytkettyä virtaan, jos sormi on kytkimellä.
- Älä kosketa maadoitettuihin pintoihin, kuten putkiin, lämpöpattereihin, helioihin tai jääkaappeihin. Jos ruumiisi on maadoitettu, sähköiskun vaara on suurempi.
- Älä altista tuotetta sateelle tai kosteudelle. Veden pääsy laitteeseen lisää sähköiskun vaaraa.
- Virtalähteessä tulee olla vuotovirtakytkin (RCD), jonka laukeamisvirta on enintään 30 mA.
- Tarkista sähkö- ja jatkajohto ennen käyttöä vaurioiden ja ikääntymisen varalta. Jos johto vioittuu käytön aikana, irrota se heti pistorasiasta. Vahingoittuneisiin

johtoihin sisältyy vaara jännitteisiin osiin kosketuksiin joutumisesta. **Älä kosketa johtoa, ennen kuin olet irrottanut sen pistorasiasta.** Älä käytä laitetta, jos johto on vioittunut tai kulunut.

- Jos virtajohto on vahingoittunut, vain valtuutettu korjaaja voi vaihtaa sen uuteen, valmistajalta saatavana olevaan johtosarjaan. Tämän ohjeen noudattamatta jättäminen voi johtaa käyttäjän tai muiden vakavaan vammautumiseen sekä sähköiskun vaaraan.
- Jos sinun on käytettävä jatkojohtoa, varmista että se soveltuu ulkokäyttöön ja että sen luokitus riittää tuotteelle. Jatkojohdossa tulisi olla merkintä "H05 RN F" tai "H05 VV F". Tarkista se ennen jokaista käyttökertaa vaurioiden varalta; avaa se käytön aikana sillä kelalla olevat johdot voivat ylikuumentua. Korvaa vaurioituneet jatkojohdot vastaavan tyyppisillä. Älä korjaa vahingoittuneita jatkojohtoja.
- Pidä jatkojohdot loitolla koneen vaarallisista liikkuvista osista, sillä vahingoittuneisiin johtoihin liittyy vaara jännitteisten osien kanssa kosketuksiin joutumisesta.
- Varmista, että virtajohto sijaitsee siten, että se ei voi leikkaantua ja että sen päälle ei astuta eikä siihen kompastuta eikä se muuten vioitu tai rasitu.
- Älä koskaan nosta tai kannata tuotetta sähköjohdosta.
- Älä koskaan irrota laitetta pistorasiasta vetämällä virtajohdosta.
- Älä päästä virtajohtoa koskettamaan kuumuuden lähteitä, öljyä tai teräviä reunoja.
- Tarkista, että jännite on tuotteelle oikea. Tuotteen jännite ilmoitetaan sen nimikyltissä. Älä koskaan kytke tuotetta tästä jännitteestä poikkeavaan vaihtovirtaan.
- Varmista aina, ettei ohjaustangosta koneen runkoon menevä johto milloinkaan ole takertunut, puristunut tai muuten vahingoittunut kokoamisen tai kahvan taittamisen aikana. Älä koskaan käytä konetta, jos virtajohto on vahingoittunut. Teetä huollot ainoastaan valtuutetussa huoltoliikkeessä.
- Virtapiikki aiheuttaa jännitteen heilahtelua ja voi vaikuttaa muihin samaan syöttöverkkoon kytkettyihin tuotteisiin. Minimoidaksesi jänniteheilahtelun kytke tuote pistorasiaan, jonka impedanssi on enintään 0,452Ω (RY1400SF35A, RY1400SF35B) Ω. Lisätietoja saa sähköyhtiöltä.

SÄHKÖKÄYTTÖISEN NURMIKONELVYTTIMEN JA -ILMAAJAN TURVAOHJEET

- Muokkauserät ovat teräviä. Ole varovainen ja käytä paksuja käsineitä asettaessasi pulttia paikoilleen ja asentaessasi tai puhdistaessasi sitä ja tarkistaessasi sen kireyttä.
- Varmista, että kaikki ruuvit, mutterit, pultit ja muut kiinnikkeet ovat tiukassa ja että suojukset ja muut suojat ovat paikoillaan. Vaihda vioittuneet ja lukukelvottomat kyltit.
- Vaihda kuluneet ja vioittuneet osat ennen tuotteen käyttöä.
- Asenna roskienkeräin ennen muokkauksen aloittamista. Tyhjennä roskienkeräin sen täytyttyä, ja kiinnitä se takaisin paikalleen ennen työn jatkamista.

- Tuote on käynnistettävä käyttäjän ollessa kahvojen takana suoja-alueella. Älä koskaan käynnistä tuotetta, jos
 - kaikki neljä pyörää eivät ole maassa
 - roskienpoistokouru on avoin, eivätkä roskienkeräin tai roskienpoistokourun suojakansi suojaa sitä.
- Älä koskaan käytä tuotetta, jos ohjaustangon virtakytkin ei käynnistä tai sammuta tuotetta asianmukaisesti.
- Älä koskaan lukitse käynnistys-/sammutuskytkintä Päällä-asentoon; se on erittäin vaarallista.
- Älä pakota tuotetta. Se hoitaa työt paremmin ja turvallisemmin sillä vauhdilla, jota varten se on suunniteltu.
- Pysäytä muokkauserät, kun ylität sorapintoja.
- Ole erittäin varovainen, kun peruutat tai vedät tuotetta itseäsi kohden.
- Pysäytä muokkauserät, jos konetta on kallistettava kuljetusta varten, kun ylität muita kuin ruohopintoja, ja kun kuljetat konetta työskentelyalueiden välillä.
- Älä koskaan käytä konetta, jos jokin suojuus on vahingoittunut tai jos jokin turvalaite, kuten ruohonohjain ja/tai roskienkeräin, ei ole paikallaan.
- Älä kallista konetta moottoria käynnistettäessä, paitsi jos se on kallistettava käynnistystä varten. Jos se on ehdottoman välttämätöntä, voit nostaa vain osaa, joka on kaukana käyttäjästä. Varmista aina, että molemmat kädet ovat käyttöasennossa, ennen kuin lasket koneen takaisin maahan.
- Käynnistä kone huolellisesti ohjeiden mukaisesti, ja pidä kädet ja jalat kaukana teristä. Älä laita käsiä tai jalkoja lähelle pyöriviä osia tai niiden alle. Pidä ruohonkeruuaukko aina vapaana.
- Älä koskaan nosta tai kannata tuotetta moottorin käydessä.
- Pidä virta- ja jatkojohto kaukana teristä.
- Sammuta tuote ja irrota se pistorasiasta. Varmista, että kaikki liikkuvat osat ovat pysähtyneet täysin:
 - aina kun jätät tuotteen valvomatta (mukaan lukien ruoholeikkeiden hävittäminen)
 - Ennen tukoksen poistamista tai poistokourun puhdistusta
 - ennen tuotteen tarkastusta, puhdistusta ja huoltoa
 - törmättyäsi vieraaseen esineeseen; tarkista laite vaurioiden varalta ja suorita tarpeelliset korjaukset ennen laitteen käynnistämistä ja käyttöä
- Jos tuote alkaa väristä epänormaalisti, tarkasta välittömästi:
 - tarkista vaurioiden varalta
 - vaihda tai korjaa kaikki vioittuneet osat
 - tarkista, onko jokin osa löysällä, ja kiristä tarvittaessa
- Vältä koloja, uria, möykkyjä, kiviä ja muita piilossa olevia esteitä. Epätasaisessa maastossa voit liukastua, kaatua ja loukkaantua.
- Vapauta kahva viipymättä ja pysytkelä koneesta loitolla, jos:
 - kone syytty tuleen
 - suojuus ja/tai ketelo rikkoutuu

- kuulet epänormaalin äänen
- sattuu onnettomuuksia tai rikkoutumisia

VAROITUS

Ennen kuin poistat tai asennat roskienkeräimen, varmista, että terät ovat kokonaan pysähtyneet.

VAROITUS

Älä koske liikkuviin vaarallisiin osiin ennen kuin kone on irrotettu sähkönsyötöstä ja liikkuvat vaaralliset osat ovat kokonaan pysähtyneet.

YLIVIRTASUOJA

Tuotteessa on ylivirtasuoja. Kun ylikuormitusta havaitaan, laite kytkeytyy automaattisesti pois päältä. Jos ylivirtasuoja laukeaa, moottorin on annettava jäähtyä 5-10 minuuttia.

Sammuta tuote ja irrota se pistorasiasta. Terät ovat teräviä; käytä vahvoja suojakäsineitä, kun käsittelet teriä. Varmista, että terät pyörivät esteettä, eivät ole jumiutuneet tai tiukassa.

Kun moottori on kokonaan jäähtynyt, kytke pistoke virtalähteeseen ja käynnistä laite. Käynnistä tuote painamalla käynnistuspainiketta ja sitten virtapainiketta. Jos laite ei vielä käännä käynnisty, huollata se ainoastaan valtuutetussa huoltoliikkeessä.

YLEISIÄ VINKKEJÄ NURMIKON MUOKKAUKSEEN

- Säädä leikkuusyvyyttä nurmikon tarpeiden ja ruohon pituuden mukaan.
- Jos nurmikollasi on sammalongelma, leikkaa nurmikko ja vielä sammaleentorjunta-ainetta viikko ennen suunniteltua muokkausta.
- Kastele nurmikko muutama päivä ennen muokkausta varmistaaksesi, että nurmikko on kostea, mutta ei liian märkä.

KULJETUS JA VARASTOITAESSA

- Puhdista laitteesta kaikki vieraat materiaalit. Varastoi laite viileään, kuivaan ja hyvin tuuletettuun paikkaan, jossa lapset eivät pääse siihen käsiksi. Pidä tuote erillään syövyttävistä aineista, kuten puutarhakemikaaleista ja jäänestosuolasta. Älä säilytä laitetta ulkona.
- Kiinnitä tuote kuljetettaessa siten, että se ei pääse liikkumaan tai kaatumaan, jotta vältytään loukkaantumisilta ja vaurioilta.

VAROITUS

Ole erittäin varovainen nostaessasi ja kallistaessasi laitetta huoltoon, puhdistusta, varastointia tai kuljetusta varten. Terät ovat teräviä, joten pidä kaikki kehonosat loitolla paljaasta terästä.

HUOLTO

VAROITUS

Käytä ainoastaan alkuperäisiä valmistajan tuottamia varaosia, lisälaitteita ja lisävarusteita. Tämän noudattamatta jättäminen voi johtaa loukkaantumiseen ja huonoon tulokseen ja voi mitätöidä takuun.

VAROITUS

Huolto kaipaa suurta huolellisuutta ja hyvää työkalun tuntemusta: Se on annettava pätevän teknikon tehtäväksi. Teetä huollot ainoastaan valtuutetussa huoltoliikkeessä. Käytä huollossa ainoastaan alkuperäisiä valmistajan tuottamia varaosia.

- Kun kone otetaan pois käytöstä huoltoon, tarkastusta tai varastointia tai lisävarusteen vaihtamista varten, sammuta virtalähde, irrota kone virransyötöstä ja varmista, että kaikki liikkuvat osat ovat pysähtyneet kokonaan. Anna koneen jäähtyä ennen tarkastuksia, säätöjä tms. Käsittele nurmikonelvytintä huolella, ja pidä se puhtaana.
- Tarkista roskienkeräin säännöllisesti kulumisen, reikiintymisen tai kunnon yleisen heikkenemisen varalta.
- Voit tehdä tässä käyttöoppaassa kuvattuja säätöjä ja korjauksia. Pyydä apua valtuutetusta huollosta muiden korjaus- tai neuvontarpeiden tapauksessa.
- Vaihda kuluneet ja vahingoittuneet osat turvallisuussyistä. Käytä ainoastaan alkuperäisiä lisävarusteita ja varaosia.
- Puhdista tuote aina käytön jälkeen pehmeällä ja kuivalla liinalla. Valtuutetun huoltopisteen on korjattava tai vaihdettava vioittuneet osat asianmukaisesti.
- Varmista aina, että ruuvit ja mutterit ovat tiukasti kiinni, jotta tuote olisi aina turvallinen ja käyttövalmis.
- Ole varovainen koneen säätämisen aikana, jotta sormet eivät takerru liikkuvien terien ja koneen kiinteiden osien väliin.
- Kun huollat teriä, ota huomioon, että vaikka virta on kytketty pois päältä terät voivat silti liikkua.
- Muokkausterät ovat teräviä. Ole varovainen ja käytä paksuja käsineitä asentaessasi pulttia paikoilleen ja asentaessasi tai puhdistaessasi sitä ja tarkistaessasi sen kireyttä.

TUKOSTEN SELVITTÄMINEN

- Sammuta tuote ja irrota se pistorasiasta.
- Käytä aina paksuja suojakäsineitä etsiessäsi ja poistaessasi tukosta. Terät ovat teräviä, ja tukos itsessään voi olla terävä esine.
- Irrota roskienkeräin ja tarkista se tukosten varalta, jos niitä on, poista ne varovasti.
- Tarkasta ruohon poistokouru ja poista tukokset varovasti.
- Käännä kone kyljelleen ja tarkista sen pohja ja teriä ympäröivä alue. Jos näet tukoksia, poista ne varovasti.

EN
FR
DE
ES
IT
NL
PT
DA
SV
FI
NO
RU
PL
CS
HU
RO
LV
LT
ET
HR
SL
SK
BG
UK
TR

KÄYTTÖÖN LIITTYVÄT RISKIT

Vaikka tuotetta käytettäisiin ohjeiden mukaisesti, ei ole mahdollista täysin eliminoida tiettyjä käyttöön liittyviä riskitekijöitä. Käytössä voi aiheutua seuraavia vaaroja, ja käyttäjän tulee kiinnittää erityistä huomiota niiden välttämiseen:

- Tärinän aiheuttama vamma
 - Käytä aina työhön oikeaa työkalua. Käytä osoitettuja kahvoja. Rajoita työskentelyaikaa ja altistumista.
- Melun aiheuttama vamma
 - Liian kova melu voi aiheuttaa kuulovamman. Käytä suojalaseja ja rajoita altistumista.
- piikkien koskettamisen aiheuttamat vammat
- poissinkoavien esineiden aiheuttama vahinko

RISIKIEN VÄHENTÄMINEN

Raporttien mukaan käsikäyttöisten laitteiden tärinä voi joidenkin kohdalla myötävaikuttaa Raynaud's Syndromen (Raynaudin oireen) ilmenemiseen. Oireita ovat pistely, turtuus ja sormien kalpeneminen, yleensä kylmässä ilmassa. Perinnölliset tekijät, kylmyys ja kosteus, ruokavalio, tupakointi sekä työtavat voivat kaikki myötävaikuttaa näiden oireiden ilmenemiseen. Käyttäjä voi ehkäistä tärinän aiheuttamia vaikutuksia seuraavasti:

- Pidä itsemi lämpimänä kylmällä säällä. Käytä tuotteen käytön aikana käsineitä, jotta kätesi ja ranteesi pysyvät lämpöisinä. Raporttien mukaan kylmä ilma on tärkeä tekijä Raynaud's Syndromen (Raunaudin oireiden) ilmenemisessä.
- Harjoita kunkin käyttöjakson jälkeen liikuntaa, jotta verenkierto lisääntyy.
- Pidä työn aikana säännöllisesti taukoja. Rajoita päivittäisen tärinän määrää.

Jos mitään yllä mainittuja oireita ilmenee, lopeta heti laitteen käyttö ja kerro oireista lääkärille.

VAROITUS

Laitteen pitkittynyt käyttö voi aiheuttaa tai vaikeuttaa vammoja. Kun käytät mitä tahansa laitetta pitkiä aikoja, muista pitää säännöllisiä taukoja.

TUNNE TUOTTEESI

Katso sivu 132.

1. Kytkinpainike
2. Tartuntakahvat
3. Liipaisimet
4. Ylempi kahvatanko
5. Kiristysnupit
6. Kuusiokoloavain
7. Piikit
8. Takapyörät
9. Etupyörät
10. Jatkojohto
11. Ilmaajalisävaruste
12. Korkeudensäätövipu
13. Takaluukku
14. Silpunkeräin

50 | Suomi

15. Keskikahva
16. Johdotus
17. Johdon koukku

TUOTTEESSA OLEVAT SYMBOLIT



Varoitus



Lue ohjeet huolellisesti ennen laitteen käynnistämistä.



Käytä kuulosuojaimia



Käytä silmäsuojaimia



Älä altista konetta sateelle tai kosteudelle.



Varo sinkoutuneita ja muita lentäviä esineitä. Pidä kaikki sivulliset vähintään 15 metrin päässä toiminta-alueelta – erityisesti lapset ja lemmikit.



Varo teräviä piikkejä. Piikit jatkavat pyörimistään moottorin sammuttamisen jälkeenkin. Irrota pistotulppa pistorasiasta ennen huoltoa tai jos johto on vaurioitunut.



Pidä sähköjohto kaukana piikeistä.



Työskentelyleveys: 35 cm



Luokka II: Sähköisku estetään kaksinkertaisella eristyksellä tai tehostetulla eristyksellä.



Käytöstä poistettavia sähkölaitteita ei pidä hävittää talousjätteiden mukana. Ne on mahdollisuuksien mukaan pantava kiertoon. Kierrätysohjeita antavat kunnan viranomaiset ja vähittäiskauppiat.



Tämä työkalu on sen EU-maan kaikkien sääntömääräisten standardien mukainen, josta se on ostettu.



EurAsian-vaatimustenmukaisuusmerkki



Älä käytä ruohonleikkuria rinteessä, jonka kaltevuus on yli 15°. Käytä tuotetta rinteessä poikittain, ei ylös ja alas.



Ukrainalainen säädöstenmukaisuusmerkintä



Tässä tarrassa näytetty taattu äänenpaine on 100 dB.

TÄMÄN KÄSIKIRJAN SYMBOLIT



Osat ja lisävarusteet on hankittava erikseen



Huom



Varoitus

Seuraavat signaalisanat ja merkitykset on tarkoitettu selittämään tähän tuotteeseen liittyviä riskin tasoja.

⚠ VAARA

Ilmaisee välitöntä vaaratilannetta, joka ellei sitä vältetä, johtaa kuolemaan tai vakavaan loukkaantumiseen.

⚠ VAROITUS

Ilmaisee potentiaalisen vaaratilanteen, joka ellei sitä vältetä, saattaa johtaa pienempään tai keskivaikeaan loukkaantumiseen.

⚠ HUOMAUTUS

Ilmaisee potentiaalisen vaaratilanteen, joka ellei sitä vältetä, saattaa johtaa pienempään tai keskivaikeaan loukkaantumiseen.

HUOMAUTUS

Ilman turvallisuusvaroitusymbolia

Ilmoittaa tilanteesta, jossa omaisuutta saattaa vaurioitua.

EN

FR

DE

ES

IT

NL

PT

DA

SV

FI

NO

RU

PL

CS

HU

RO

LV

LT

ET

HR

SL

SK

BG

UK

TR

Sikkerhet, ytelse og pålitelighet har fått topp prioritet ved konstruksjonen av denne elektriske plenlufteren eller lufteren.

TILTENKT BRUK

Den elektriske plenlufteren eller lufteren er kun beregnet til utendørs bruk. Alle fire hjulene skal berøre bakken under luftingen.

Produktet er designet med små luftetinder for lufting av plen i private hager.

Produktet er montert med et luftpustyr for å skape hull i jorden for å redusere jordkomprimering.

Produktet er en plenlifter som kontrolleres av en gående person og som skyves for hånd. Produktet skal ikke trekkes eller kjøres på. Den skal ikke brukes til annet enn å klippe plener i private hager.

Den skal ikke brukes til noe annet formål

GENERELLE SIKKERHETSREGLER FOR ELEKTRISK VERKTØY

⚠ ADVARSEL

Når produktet brukes må sikkerhetsreglene følges.

Les disse instruksjonene før du tar i bruk produktet for din egen sikkerhet og sikkerheten til personer som befinner seg i nærheten. Vennligst ta vare på instruksjonene for fremtidig bruk.

PERSONLIG SIKKERHET

- Produktet er i stand til å amputere hender og føtter, samt å slynge gjenstander rundt i luften. Dersom sikkerhetsinstruksene ikke følges, kan det ha alvorlige personskader eller døden til følge.
- Gjør deg kjent med styringen og riktig bruk av produktet.
- Du må aldri la barn eller personer med nedsatte fysiske, sensoriske eller mentale evner, eller personer som ikke er fortrolige med denne bruksanvisningen bruke, rengjøre eller vedlikeholde dette produktet. Lokale forskrifter fastlegger brukerens minstealder. Barn må ha riktig tilsyn for å sikre at de ikke leker med produktet.
- Vær våken, følg med på hva du gjør og bruk fornuft når du anvender enheten. Ikke bruk utstyret når du er sliten, syk eller under påvirkning av alkohol, narkotika eller medisiner som kan påvirke reaksjonsevne og dømmekraft. Tap av konsentrasjon når maskinen brukes kan føre til alvorlig personskade.
- Bruk tykke, lange bukser, jakke med lange ermer og sklisikkert fottøy. Ha ikke på korte bukser og sandaler eller vær barføtt. Unngå å bruke klær som er løstsittende eller som har hengende snorer eller belter.
- Bruk alltid vernebriller med sideskjærmer.
- Ikke len deg for langt. Pass på at du står trygt, spesielt i skråninger. Ha god fotfeste og ballanse til enhver tid. Gå, du må aldri løpe mens du arbeider med maskinen.
- Arbeid langs en skråning, aldri opp og ned. Vær meget forsiktig når du skifter retning i en skråning.
- Ikke bruk produktet nær terrengfall, grøfter, meget bratte skråninger eller fyllinger. Dårlig fotfeste kan føre til at du skir og faller.

ARBEIDSOMGIVELSER

- Ikke bruk maskinen dersom andre personer - og spesielt barn - eller dyr er i nærheten.
- Gjenstander som treffes av plenlufteren kan forårsake alvorlige personskader. Inspiser området der gressklipperen skal brukes grundig, og fjern alle steiner, pinner, metallbiter, ståltråd, bein, leker og andre fremmedlegemer.
- Bruk klipperen i dagslys eller i godt kunnslys.
- Ikke bruk elektrisk verktøy i eksplosive atmosfærer, der det finnes brennbare væsker, gasser eller støv. Elektrisk verktøy skaper gnister som kan antenne støv eller gasser.
- Ikke bruk verktøyet i fuktige og våte omgivelser eller når det regner.
- Ikke bruk maskinen på asfalt eller gruslagt overflate der utkastet materiale kan føre til skade.
- Bruk produktet kun på et jevnt underlag med tøhånddrift med operatøren bak håndtaket.
- Unngå bruk av plenlufteren under dårlige værforhold, spesielt når det er fare for tordenvær.
- Husk at operatøren eller brukeren er ansvarlig for uhell og farer som andre personer og deres eiendom får påført.
- Tragiske uhell kan oppstå dersom operatøren ikke er oppmerksom på barn i nærheten. Du må aldri gå ut i fra at barn forblir på det stedet der du så dem sist.
- Hold barn unna området som skal klippes, og under tilsyn av en ansvarlig voksen nr. Vær på vakt, og slå av maskinen hvis et barn kommer inn i området.
- Vær ekstra forsiktig når du nærmer deg uoversiktlige hjørner, busker, trær eller andre objekter, inkludert overhengende busker som kan blokkere visningen.

ELEKTRISK SIKKERHET

- Det elektriske verktøyet støpsler må passe til kontaktene. Foreta aldri noen form for endringer av støpslet. Ikke bruk noen form for adapterstøpsel til jordet elektrisk verktøy. Umodifiserte støpsler og passende stikkontakter vil redusere risikoen for elektrisk sjokk.
- Unngå utilsiktet start. Sjekk alltid at bryteren er i av-posisjon før du stikker pluggen i stikkkontakten. Ikke bær produktet med fingeren på bryteren dersom det er koblet til strømmen.
- Unngå kroppskontakt med jordede overflater, som vannrør, radiatorer, kokeapparater og kjøleaggregater. Det er økt risiko for elektrisk støt dersom kroppen din har kontakt med jord.
- Ikke utsett produktet for regn eller høy fuktighet. Vann som trenger inn i apparatet vil øke risikoen for elektrisk støt.
- Utstyret må få strøm fra en elektrisk kurs med jordfeilbryter som ikke overstiger 30 mA.
- Før bruk må den elektriske ledningen eller skjøteledningen kontrolleres for skade eller aldring. Hvis den elektriske ledningen skades under bruk, trekk støpslet umiddelbart ut av stikkkontakten. Skadede ledninger kan føre til kontakt med strømførende deler.

Ikke berør ledningen før strømtilførselen er avbrutt. Ikke bruk maskinen dersom den elektriske ledningen er slitt eller skadet.

- Hvis ledningen er skadet, skal den erstattes med en ny kabel av fagfolk. Hvis denne anvisningen ikke følges kan det oppstå alvorlig personskade, inkludert elektrisk sjokk.
- Hvis du trenger å bruke en skjøteledning må du påse at kabelen egner seg for utendørs bruk og at kapasiteten tilfredsstiller produktets behov. Skjøteledningen må være merket med enten "H05 RN F" eller "H05 VV F". Sjekk før hver bruk for skader, rull alltid opp under bruk fordi opprullede ledninger kan bli overopphetet. Skift ut skadede skjøteledninger med en tilsvarende type. Ikke reparer skadede skjøteledninger.
- Sørg for å holde skjøteledninger vekk fra farlige deler i bevegelse for å unngå skader på kablene, som kan føre til kontakt med deler som kan gi støt.
- Sjekk at ledningen er lagt slik at den ikke kan bli skadet av kuttenheten og at ingen trækker eller snubler i den, eller at ledningen er utsatt for skade eller stress.
- Plukk aldri opp eller bær produktet i den elektriske ledningen.
- Ikke trekk i ledningen for å ta støpslet ut fra stikkkontakten.
- Hold ledningen vekk fra varme, olje og skarpe kanter.
- Påse at spenningen stemmer med det som angis for produktet. En navneplate på produktet viser produktets spenning. Tilkoble aldri utstyret til en elektrisk kontakt med en spenning som skiller seg fra produktets.
- Se alltid til at ledningen fra håndtaket til plenlufteren aldri fanges, klemmes eller skades på annen måte i løpet av monteringen eller håndtaksbrettingen. Tilfør aldri strøm til produktet hvis kabelen er skadet. Få utført service på produktet kun av et autorisert servicesenter.
- En strømtopp kan føre spenningssvingninger og kan påvirke andre elektriske produkter i samme krets. Kople produktet til et strømtakk med en vekselstrømmotstand lik eller mindre enn 0,452Ω (RY1400SF35A, RY1400SF35B) for å minimalisere spenningssvingninger. Ta kontakt med strømleverandøren for ytterligere avklaring.

SIKKERHETSADVARSLER FOR DEN ELEKTRISKE PLENLUFTEREN OG LUFTEREN

- Tindene på produktet er skarpe. Vis varsomhet og bruk tykke arbeidshansker når du monterer, skifter, rengjør og sjekker hvordan skruene er festet.
- Kontroller at alle skruer, muttere, boter og andre festeinnretninger er riktig festet og at verneinnretninger og skjermjer er på plass. Erstatt skadede eller uleselige merker/etiketter.
- Skift ut slitte eller ødelagte deler før du tar i bruk produktet.
- Installer avfallssamleren før plenluftingen. Tøm avfallssamleren når den er full, og rett den på plass igjen før driften gjenopptas.

- Produktet må startes når brukeren står bak håndtaket i brukerens sikkerhetssone. Du må aldri starte produktet hvis:
 - Ikke alle fire hjul er på bakken
 - Utkasterrøret er eksponert og ikke beskyttet av avfallssamleren eller dekselet på utkasterrøret.
- Bruk aldri produktet hvis på/av-bryterne på håndtaket ikke ordentlig for å starte og stoppe produktet.
- Lås aldri på/av-bryterne i på-stillingen; dette er ekstremt farlig.
- Ikke press maskinen. Den vil gjøre jobben bedre og tryggere med den hastigheten den er konstruert for.
- Stopp tindene ved kryssing av grusbeltet underlag.
- Utvis ekstrem forsiktighet når du rygger eller trekker produktet mot deg.
- Stopp tindene hvis produktet må skråstilles for transport når du krysser andre overflater enn gress, og når du transporterer produktet til og fra arbeidsområdet.
- Bruk aldri produktet med defekte verneinnretninger eller skjermjer, eller uten sikkerhetsenheter, for eksempel deflektorer og/eller avfallssamlere, på plass.
- Ikke skråstill produktet når du slår på motoren, unntatt hvis maskinen kan skråstilles for oppstart. Hvis det er absolutt nødvendig, kan du løfte kun den delen som er borte fra operatøren. Sørg for at begge hendene alltid er i driftsposisjon før du setter maskinen ned på bakken igjen.
- Slå produktet forsiktig på i henhold til anvisningene, og hold hender og føtter borte fra tindene. Ikke plasser hender eller føtter under roterende deler. Hold deg alltid unna utladingsåpningen.
- Løft aldri opp eller bær produktet mens motoren går.
- Hold strøm- og skjøteledning på avstand fra tindene.
- Slå av produktet og trekk støpslet til den elektriske ledningen ut av stikkkontakten. Påse at alle bevegelige deler har stoppet helt:
 - Når du forlater produktet uten tilsyn (inkludert tømning av gressavfallet).
 - før du fjerner en blokkering eller renser utkasterrøret
 - før kontroll, rensing og arbeider på produktet
 - etter at du har kjørt på en gjenstand; sjekk enheten for skader og utfør nødvendige reparasjoner før du starter og bruker maskinen igjen.
- Hvis gressklipperen begynner å vibrere unormalt, må du straks:
 - inspisere for skader
 - erstatte eller reparere enhver skadet del
 - undersøke og stram alle løse deler
- Unngå hull, hjulspor, humper, steiner og andre skjulte gjenstander. Ujevnt underlag kan føre til at man sklir og fallulykker.
- Slipp håndtaket umiddelbart og hold deg borte fra produktet hvis:
 - produktet tar fyr
 - verneinnretningen og/eller huset er ødelagt
 - det oppstår unormal lyd
 - Enhver ulykke eller sviikt oppstår

EN
FR
DE
ES
IT
NL
PT
DA
SV
FI
NO
RU
PL
CS
HU
RO
LV
LT
ET
HR
SL
SK
BG
UK
TR

⚠ ADVARSEL

Se til at tindene har stoppet helt før du fjerner eller setter på plass avfallssamlern.

⚠ ADVARSEL

Ikke berør farlige deler som beveger seg før produktet er koblet fra strømmettet og de farlige delene i bevegelse har stoppet fullstendig.

ENHETEN ER BESKYTTET MOT OVERSPENNING

Gressklipperen er utstyrt med overbelastningsvern. Gressklipperen slår seg automatisk av når det registreres at den blir overbelastet. Hvis overspenningsbeskytteren er aktivert, må du la motoren kjøle seg ned i 5–10 minutter.

Slå av produktet og trekk støpslet til den elektriske ledningen ut av stikkontakten. Tindene er skarpe; bruk kraftige hansker ved berøring. Sørg for at tindene kan rotere fritt og ikke er fastkjørt eller sitter trangt.

Når motoren har kjølt seg ned, koble pluggen til strømforsyningen og slå på produktet. Trykk på startknappen og deretter på På-/av-knappen for å starte produktet. Hvis produktet fortsatt ikke vil starte, få utført service på produktet kun av et autorisert servicesenter.

GENERELLE TIPS FOR PLENLUFTING

- Juster kuttedybden i henhold til behovet til plenen og lengden på gresset.
- Klipp plenen og påfør mosedrepende middel en uke før du planlegger å luften plenen hvis det er et problem med mose på plenen.
- Vann plenen noen dager før du lufter den for å sikre at plenen er fuktig, men ikke alltfør våt.

TRANSPORT OG LAGRING

- Fjern alle fremmedelementer fra produktet. Lagres på et kjølig, tørt og godt ventilert sted som er utilgjengelig for barn. Hold avstand til korroderende midler som havekjemikalier og avvisingssalt. Produktet skal ikke oppbevares utendørs.
- Ved transport må produktet sikres mot å komme i bevegelse eller falle for å unngå skade på personer eller produktet.

⚠ ADVARSEL

Vær meget forsiktig når du løfter eller velter maskinen på siden for vedlikehold, rengjøring, lagring eller transport. Tindene er skarpe, hold alle kroppsdeler på avstand fra tindene ved eksponering.

VEDLIKEHOLD

⚠ ADVARSEL

Bruk kun produsentens originale reservedeler, tilleggsutstyr og påsatser. Dersom dette ikke følges, kan det forårsake personskader, dårlig funksjon og kan annullere garantien din.

⚠ ADVARSEL

Service krever meget stor forsiktighet og kunnskap og bør utføres kun av kvalifisert teknisk personale. Få utført service på produktet kun av et autorisert servicesenter. For service av maskinen, bruk kun produsentens originale reservedeler.

- Når produktet er stoppet for utføring av service, inspeksjon eller lagring, eller for å skifte et tilbehør, slå av strømmen, koble produktet fra strømforsyningen og se til at alle bevegelige deler har stoppet helt. La maskinen kjøle seg ned før det foretas inspeksjoner, justeringer m.v. Vedlikehold produktet med omhu og hold det rent.
- Kontroller avfallssamlern hyppig for slitasje, hull eller forringelse.
- Du kan foreta justeringer og reparasjoner som er beskrevet i denne brukermanualen. For andre typer reparasjoner eller råd anbefales det å kontakte et autorisert servicesenter.
- Erstatt slitte eller skadede deler av sikkerhetshensyn. Bruk bare originale Ryobi reservedeler og tilbehør.
- Etter hver bruk, rens produktet med en myk tørr klut. Enhver del som er skadet må repareres eller skiftes ut på fagmessig måte ved et autorisert serviceverksted.
- Kontroller all mutter, bolter og skruer med jevne mellomrom at de er skrudd fast for å sikre at produktet er i driftssikker stand.
- Vær forsiktig ved justering av produktet for å forhindre fanging av fingrene mellom bevegelige tinner og faste deler av produktet.
- Når du utfører vedlikehold på enheten, vær oppmerksom på at selv om strømkilden er avslått, kan tindeenheten fortsatt bevege seg.
- Tindene på produktet er skarpe. Vis varsomhet og bruk tykke arbeidshansker når du monterer, skifter, rengjør og sjekker hvordan skruene er festet.

FJERNE BLOKKERINGER

- Slå av produktet og trekk støpslet til den elektriske ledningen ut av stikkontakten.
- Bruk alltid kraftige arbeidshansker når en blokkering undersøkes og fjernes. Tinden er skarpe, og selve blokkeringen kan være en skarp gjenstand.
- Ta av avfallssamlern og se etter og fjern hindringer.
- Sjekk gressutkasterrøret og fjern forsiktig eventuelle blokkeringer.

- Vend produktet på siden og sjekk undersiden av produktet og området rundt tindene. Fjern eventuelle blokkeringer forsiktig.

GJENVÆRENDE RISIKO

Selv om utstyret brukes som beskrevet er det ikke mulig å unngå enhver gjenværende risiko. Følgende faresituasjoner kan oppstå ved bruk, og operatøren må legge spesielt vekt på å unngå følgende:

- Personskade på grunn av vibrasjon
 - Bruk alltid riktig verktøy for jobben. Bruk tilegnede håndtak. Begrens arbeidstiden og eksponeringen.
- Skader skapt av støy.
 - Eksponering for støy kan føre til hørselskader. Bruk hørselvern og begrenns eksponeringen.
- skade fra kontakt med grener og spisse gjenstander
- Skade som forårsakes av gjenstander som slynges

FAREREDUKSJON

Det foreligger rapporter om at vibrasjoner fra håndholdt verktøy for enkelte personer kan bidra til en tilstand som kalles Raynauds Syndrome. Symptomene kan omfatte følelsesløshet og gjøre fingrene bleke, vanligvis synlig ved eksponering til lave temperaturer. Arvelige faktorer, eksponering mot lave temperaturer og fuktighet, diett, røyking og arbeidspraksis blir alle ansett for å kunne bidra til å utvikle disse symptomene. Brukeren kan iverksette tiltak for mulig å redusere virkningene av vibrasjonene:

- Hold kroppen din varm i kaldt vær. Bruk hansker og hold hender og håndledd varme ved bruk av produktet. Det er rapportert at kaldt vær er en viktig faktor som bidrar til Raynauds Syndrome.
- Etter hver arbeidsperiode bør det utføres øvelser for å øke blodsirkulasjonen.
- Ta ofte pauser fra arbeidet som utføres. Begrens mengden av eksponering pr. dag.

Hvis du opplever noen av symptomene på denne tilstanden må du øyeblikkelig avbryte arbeidet og oppsøke en lege med disse symptomene.

⚠ ADVARSEL

Hvis man bruker verktøyet for lenge av gangen, kan det føre til eller forverre allerede eksisterende personskade. Når du bruker et verktøy over en lenger tidsperiode, husk å ta regelmessige pauser.

KJENN PRODUKTET DITT

Se side 132.

1. Bryterknapp
2. Håndtak
3. Utløser
4. Øvre håndtakspol
5. Knottes
6. Unbrakonøkkel
7. Tinder
8. Bakhjul
9. Forhjul
10. Forlengelsesleder

11. Lufterutstyr
12. Høydeinnstiller
13. Bakhjør
14. Avfallssamler
15. Midtre håndtaksstang
16. Kabling
17. Ledningskrok

SYMBOLER PÅ PRODUKTET



Sikkerhetsalarm



Vennligst les instruksjonene nøyre før du starter maskinen.



Bruk hørselsvern



Bruk øybeskyttelse



Ikke utsette for regn eller fuktige forhold.



utkastedePass opp for gjenstander som slynges ut eller flyr i luften. Hold tilskuere, spesielt barn og dyr, på god avstand, det vil si minst 15 meter fra arbeidsområdet



Vær oppmerksom på skarpe tinder. Tindene forsetter å rotere etter at motoren er slått av. Fjern pluggen fra strømuttaket før vedlikehold eller hvis kabelen er skadet.



Hold strømledningen vekke fra fresetindene.



Arbeidsbredde: 35 cm



Klasse II: Beskyttelse mot elektrisk støt er basert på dobbelisolering eller forsterket isolasjon.



Avfall fra elektriske produkter skal ikke kastes sammen med husholdningsavfall. Vennligst resirkulervedeksisterende avfallsbehandlingssted. Undersøk hos dine lokale myndigheter eller forhandler for råd om resirkulering.



Dette verktøyet samsvarer med samtlige standarder i EU-landet der det er kjøpt.

- EN
- FR
- DE
- ES
- IT
- NL
- PT
- DA
- SV
- FI
- NO**
- RU
- PL
- CS
- HU
- RO
- LV
- LT
- ET
- HR
- SL
- SK
- BG
- UK
- TR



EurAsian samsvarsmerke



Ikke kjør klipperen i helninger på mer enn 15°. Arbeid langs en skråning, aldri opp og ned.



Ukrainsk kontrolltegn



Det garanterte lydtrykksnivået er på 100 dB og er angitt på etiketten.

SYMBOLER I DENNE MANUALEN



Deler eller tilbehør som er tilgjengelige separat



Merk



Advarsel

Følgende symboler og betydninger forklarer risikonivået som er assosiert med dette produktet.

FARE

Indikerer en øyeblikkelig farlig situasjon, som, hvis ikke unngås, kan resultere i død eller alvorlig personskade.

ADVARSEL

Indikerer en potensiell farlig situasjon, som, hvis ikke unngås, kan resultere i død eller alvorlig personskade.

FORSIKTIGHETSREGEL

Indikerer en potensiell farlig situasjon, som, hvis ikke unngås, kan resultere i mindre eller moderat personskade.

FORSIKTIGHETSREGEL

Uten sikkerhetsvarselsymbol

Indikerer en situasjon som kan føre til skade på eiendom.

В основе конструкции вашего электрического скарификатора или аэратора лежат принципы безопасности, продуктивности и надежности.

НАЗНАЧЕНИЕ

Электрический скарификатор или аэратор предназначен для использования только вне помещений. Во время скарификации или аэрации все четыре колеса должны касаться земли.

Изделие, оснащенное специальными зубцами, предназначено для скарификации домашнего газона.

Изделие, оснащенное аэраторной насадкой, предназначено для проделывания отверстий в почве с целью снижения уплотнения почвы.

Изделие представляет собой газонный скарификатор с пешим управлением, работающий от электрической сети и приводимый в движение толканием. Запрещается тянуть изделие или кататься на нем. Устройство можно использовать исключительно для стрижки газонов в бытовых условиях.

Не используйте устройство для каких-либо иных целей.

ОБЩИЕ УКАЗАНИЯ ПО ТЕХНИКЕ БЕЗОПАСНОСТИ ПРИ РАБОТЕ С ЭЛЕКТРОИНСТРУМЕНТОМ

ОСТОРОЖНО

При использовании устройства необходимо соблюдать правила техники безопасности. В целях собственной безопасности и безопасности наблюдающих лиц перед использованием устройства прочитайте приведенные в данном руководстве инструкции. Сохраните данные инструкции для последующего использования.

ЛИЧНАЯ БЕЗОПАСНОСТЬ

- Изделие может отрезать руки и ноги, а также отбрасывать предметы. Отказ соблюдать все инструкции безопасности, может закончиться серьезным ущербом или смертью.
- Ознакомьтесь с элементами управления и правильным использованием устройства.
- Никогда не позволяйте детям или людям с ограниченными физическими, сенсорными или умственными способностями, а также людям, незнакомым с этими инструкциями, работать с этим устройством, выполнять его очистку и техническое обслуживание. Местные инструкции могут ограничить возраст оператора. Не допускайте того, чтобы дети играли с этим устройством.
- Следует соблюдать осторожность, следить за своими действиями и руководствоваться здравым смыслом при работе с устройством. Не работайте с данным инструментом в случае усталости, болезни или под воздействием алкоголя, наркотиков или медикаментов. Недостаточная внимательность во время работы с устройством может привести к получению серьезной травмы.
- Работать следует в тяжелых, длинных брюках,

одежде с длинным рукавом и прочной нескользящей обуви. Не носите шорты и сандалии, также не ходите босиком. Не надевайте свободную одежду или одежду со свисающими шнурками или узлами.

- Всегда надевать небьющиеся очки с щитами стороны.
- Не перенапрягать. Всегда сохраняйте устойчивое положение, особенно на склонах. Держать устойчивую опору и баланс. Передвигайтесь шагом, не бегайте.
- Двигайтесь с изделием поперек поверхности склонов, но не вверх и не вниз. Осуществлять чрезвычайное предостережение при изменении направления на склонах.
- Не используйте устройство вблизи обрывов, рвов, очень крутых склонов или насыпей. Бедная опора может причинять несчастный случай промаха и падения.

БЕЗОПАСНОСТЬ НА РАБОЧЕМ МЕСТЕ

- Не работайте с устройством, если рядом присутствуют посторонние лица, особенно дети, а также домашние животные.
- Застревание предметов в зубах скарификатора может привести к серьезной травме. Тщательно осмотрите участок, где предполагается использовать газонокосилку, и уберите все камни, палки, металлические части, проволоку, кости, игрушки и другие посторонние предметы.
- Эксплуатируйте изделие только при дневном свете или хорошем искусственном освещении.
- Не используйте изделия с аккумуляторным питанием во взрывоопасной среде, например, при наличии легковоспламеняющихся жидкостей, газов или пыли. В устройстве могут образовываться искры, что может привести к воспламенению пыли или газа.
- Не работайте с устройством во влажной траве или под дождем.
- Не работайте с инструментом на мощной или покрытой гравием поверхности, так как при этом выбрасываемый материал может привести к телесным повреждениям.
- Работать с изделием необходимо только на ровной поверхности, удерживая двумя руками и находясь за рукоятью.
- Воздержитесь от использования скарификатора в плохую погоду, особенно во время грозы.
- Иметь в виду, что оператор или пользователь ответственны за несчастные случаи или опасности, встречающиеся другим людям или их собственности.
- Трагические несчастные случаи могут происходить, если оператор - не внимателен к присутствию детей. Никогда не предполагать, что дети останутся, там, где вы видели их.
- Не допускайте детей на участок кошения и оставляйте их под присмотром ответственного взрослого, не оператора, и выключайте инструмент, если ребенок появится на участке работы.

EN
FR
DE
ES
IT
NL
PT
DA
SV
FI
NO
RU
PL
CS
HU
RO
LV
LT
ET
HR
SL
SK
BG
UK
TR

- Работайте с особой осторожностью при приближении к углам с плохой обзорностью, кустарникам, деревьям и другим объектам, включая нависающие насаждения, которые могут закрывать обзор.

ЭЛЕКТРОБЕЗОПАСНОСТЬ

- Вилка должна соответствовать розетке. Не подвергайте вилку кабеля каким-либо изменениям. Не используйте какие-либо переходники с электроинструментами с заземляющим проводом. Использование оригинальных штепсельных вилок и соответствующих розеток предотвращает опасность поражения электрическим током.
- Избегайте неумышленного старта. Прежде чем подключать устройство к источнику электропитания, убедитесь, что выключатель находится в положении «Выкл.». Не несите включенное изделие с вашим пальцем на выключателе.
- Не допускайте контакта частей тела с поверхностями заземленных предметов, таких как трубы, радиаторы отопления, кухонные плиты, холодильники. При соприкосновении частей тела человека с заземленными участками возрастает опасность поражения электрическим током.
- Не допускайте попадания влаги на изделие и не используйте его во влажной атмосфере. Попадание влаги в устройство может привести к выходу его из строя или поражению электрическим током.
- Электропитание на устройство должно подаваться через устройство защитного отключения (RCD) с силой тока размыкания не более 30 мА.
- Перед использованием проверьте кабель питания и удлинитель на отсутствие повреждений или износ. Если в процессе эксплуатации поврежден кабель питания, сразу же отключите вилку кабеля от сети питания. Повреждение шнуров может привести к соприкосновению с деталями, находящимися под напряжением. **Не касайтесь кабеля при отключении его от сети питания.** Не пользуйтесь инструментом, если кабель питания поврежден или изношен.
- Если шнур электропитания поврежден, его замену должен осуществлять специалист, обладающий соответствующей квалификацией, с помощью поставляемого компанией запасного комплекта кабелей. Несоблюдение данной инструкции может привести к получению тяжелой травмы, включая поражение электрическим током.
- Если необходимо использовать удлинительный шнур, убедитесь, что он подходит для использования вне помещений, и допустимый ток достаточен для питания изделия. Удлинительный шнур должен быть маркирован «H05 RN-F» или «H05 VV-F». Проверьте его перед каждым использованием на предмет повреждений, всегда разматывайте его во время эксплуатации устройства, потому что спиральные шнуры могут перегреваться. Замените поврежденные удлинительные шнуры на провода аналогичного типа. Поврежденные удлинительные шнуры ремонту не подлежат.

- Во избежание повреждения шнуров и контакта с деталями, находящимися под напряжением, располагайте удлинительные шнуры вдали от опасных движущихся частей изделия.
- Убедитесь, что шнур питания расположен так, что невозможно его порезать, наступить на него, споткнуться об него или повредить каким-либо иным способом.
- Запрещается тянуть за кабель питания для поднятия или перемещения изделия.
- Запрещается тянуть за кабель питания, чтобы отключить его от сети.
- Не раскладываете кабель питания вблизи источников тепла, емкостей с маслом и острых предметов.
- Убедитесь, что напряжение является правильным для вашего изделия. В паспортной табличке изделия указано его номинальное напряжение. Запрещается подключать устройство к сети переменного тока, напряжение которой отличается от указанного.
- Всегда проверяйте, чтобы шнур, идущий от рукоятки к корпусу скарификатора, не был зажат, сдавлен или иным образом деформирован в процессе сборки или складывания рукоятки. Запрещается подавать напряжение на изделие в случае повреждения шнура. Обратитесь в авторизованный сервисный центр.
- Всплеск напряжения может повлиять на работу других электроприборов в той же электросети. Подключите устройство к источнику питания с полным сопротивлением, равным 0,452Ω (RY1400SF35A, RY1400SF35B) Ом, для минимизации колебаний напряжения. Свяжитесь с вашим поставщиком электроэнергии для получения дополнительных сведений.

ТЕХНИКА БЕЗОПАСНОСТИ ПРИ ИСПОЛЬЗОВАНИИ ЭЛЕКТРИЧЕСКОГО СКАРИФИКАТОРА-АЭРАТОРА

- Зубцы изделия острые. Будьте предельно осторожны и выполняйте установку, замену, очистку и проверку затяжки болтов в защитных перчатках.
- Проверьте надежность крепления шурупов, гаек, болтов и других креплений, а также наличие защитных щитков и экранов. Замените поврежденные или нечитаемые наклейки.
- Замените изношенные или поврежденные детали перед началом эксплуатации устройства.
- Перед началом скарификации установите мусоросборник. При заполнении мусоросборника извлеките его и установите на место перед началом работы.
- При запуске изделия оператор должен находиться за ручками в безопасной зоне. Запрещается запускать устройство, если не выполнены указанные ниже условия:
 - все четыре колеса не находятся на земле
 - лоток для выгрузки мусора открыт и не защищен

крышкой мусоросборника и лотка для выгрузки мусора.

- Не используйте изделие, если невозможно остановить двигатель выключателем, расположенным на ручке.
- Запрещается блокировать выключатель питания; это очень опасно.
- Не прикладывайте чрезмерных усилий при работе с данным инструментом. Лучше и безопаснее выполнить работу на той скорости, на которую устройство рассчитано.
- Останавливайте зубцы на гравийных поверхностях.
- Будьте предельно осторожны при движении назад или подтягивании изделия к себе.
- Останавливайте зубцы в случае, если изделие необходимо наклонить для преодоления любых поверхностей, кроме травяных, а также при транспортировке изделия в рабочую зону или из нее.
- Запрещается использовать изделие с дефектными щитками или экранами, а также без защитных устройств, таких как дефлекторы и/или мусоросборники.
- Запрещается наклонять изделие во время запуска двигателя, за исключением случаев, когда это требуется для запуска. При крайней необходимости допускается поднятие только той части изделия, которая максимально удалена от оператора. Перед тем, как опустить изделие на землю, убедитесь в том, что обе руки находятся в рабочем положении.
- Включите изделие, соблюдая технику безопасности и следуя инструкции, следите за тем, чтобы руки и ноги находились на безопасном расстоянии от зубцов. Не держите руки или ноги вблизи вращающихся деталей или под ними. Держите свободным разгрузку, открывающейся всегда.
- Не поднимайте и не несите изделие с работающим двигателем.
- Не допускайте соприкосновения шнура питания и удлинительного шнура с зубцами.
- Выключите изделие и отсоедините его от источника электропитания. Убедитесь в полной остановке всех движущихся деталей:
 - когда продукт оставляется без присмотра (включая выброс обрезков травы).
 - перед очисткой засора лотка для выгрузки травы
 - перед проверкой, чисткой и техобслуживанием продукта;
 - после удара о посторонний предмет; осмотрите прибор на наличие повреждений и отремонтируйте по мере необходимости перед повторным запуском и эксплуатацией устройства;
- Если инструмент начинает необычно вибрировать, немедленно проверьте:
 - осмотрите устройство на предмет повреждений
 - замените или отремонтируйте поврежденные детали
 - проверьте и, при необходимости, затяните ослабленные детали

- Избежать отверстий, колея, ударов, камней, или других скрытых объектов. Неровный ландшафт может причинять несчастный случай промаха и падения.
- Незамедлительно отпустите рукоять и отойдите от изделия в случае:
 - возгорания изделия
 - поломки щитка и/или корпуса
 - появления аномальных звуков
 - возникновения аварийной ситуации

▲ ОСТОРОЖНО

Перед снятием или установкой мусоросборника дождитесь полной остановки зубцов.

▲ ОСТОРОЖНО

Запрещается прикасаться к опасным подвижным деталям до отключения изделия от источника питания и их полной остановки.

УСТРОЙСТВО ЗАЩИТЫ ОТ ПЕРЕГРУЗКИ

Инструмент оснащен устройством защиты от перегрузки. При обнаружении перегрузки инструмент автоматически выключится. При срабатывании устройства защиты от перегрузки следует дать двигателю остыть в течение 5-10 минут.

Выключите изделие и отсоедините его от источника электропитания. Зубцы острые; обращайтесь с ними следует только в сверхпрочных перчатках. Проверьте, чтобы зубцы свободно вращались и не были заблокированы.

После остывания двигателя подсоедините вилку к источнику питания и включите изделие. Нажмите кнопку Пуск, а затем кнопку включения/выключения для запуска устройства. Если изделие не запускается, обратитесь в авторизованный сервисный центр.

ОБЩИЕ СОВЕТЫ ПО ТЕХНИКЕ

- Отрегулируйте глубину резки с учетом особенностей вашего газона и длины травы.
- Если газон поражен мхом, за неделю до скарификации постригите газон и обработайте его средством против мха.
- Полейте газон за несколько дней до скарификации, чтобы он был влажным, но не слишком мокрым.

ТРАНСПОРТИРОВКА И ХРАНЕНИЕ

- Очистите устройство от всех посторонних материалов. Храните его в прохладном, сухом, хорошо проветриваемом и недоступном для детей месте. Оберегайте от веществ, вызывающих коррозию, например, садовых удобрений или соли для удаления льда. Запрещается хранить изделие на улице.

- Для транспортировки закрепите изделие так, чтобы оно не могло перемещаться или упасть во избежание травмирования персонала или повреждения изделия.

⚠ ОСТОРОЖНО

Будьте предельно осторожны при подъеме или наклоне устройства для технического обслуживания, очистки, хранения или транспортировки. Зубцы острые; не прикасайтесь к обнаженным зубцам.

ОБСЛУЖИВАНИЕ

⚠ ОСТОРОЖНО

Используйте только оригинальные запчасти, аксессуары и насадки от производителя. Невыполнение этого требования может привести к травме, к снижению производительности и к аннулированию гарантии.

⚠ ОСТОРОЖНО

Обслуживание требует чрезвычайной заботы и знания и должно быть выполнено только квалифицированным техником обслуживания. Обратитесь в авторизованный сервисный центр. При выполнении технического обслуживания используйте только оригинальные запчасти от производителя.

- При выключении изделия для проведения обслуживания и осмотра, размещения на хранение или замены детали, отключите источник питания, отсоедините от него изделие и дождитесь полной остановки всех движущихся деталей. Перед осмотром, регулировкой и т.д. дождитесь остывания устройства. Обращайтесь с изделием аккуратно и сохраняйте его в чистоте.
- Периодически осматривайте мусоросборник на предмет износа, дыр и повреждений.
- Вы можете также выполнить другие виды регулировки и ремонтные работы, описанные в данном руководстве. Для проведения других ремонтных работ или за получением рекомендаций обращайтесь в авторизованный сервисный центр.
- В целях безопасности заменяйте изношенные или поврежденные детали. Используйте запасные части и принадлежности только от компании-производителя.
- После каждого использования протирайте изделие мягкой сухой тканью. В случае повреждения какой-либо детали необходимо обратиться в авторизованный сервисный центр для выполнения надлежащего ремонта или замены.
- Проверить все болты, задвижки, и винты, через короткие интервалы, на надлежащую плотность, чтобы убедиться, что изделие находится в безопасном, рабочем состоянии.

- Соблюдайте осторожность в процессе настройки изделия, чтобы не допустить попадание пальцев между движущимися зубцами и неподвижными деталями изделия.
- При обслуживании зубцов учитывайте, что даже после отключения источника питания зубцы могут продолжать вращаться.
- Зубцы изделия острые. Будьте предельно осторожны и выполняйте установку, замену, очистку и проверку затяжки болтов в защитных перчатках.

СНЯТИЕ БЛОКИРОВКИ

- Выключите изделие и отсоедините его от источника электропитания.
- Всегда надевайте специальные защитные перчатки при проверке и очистке засорения. Зубцы острые, и блокирующий предмет также может оказаться острым.
- Снимите мусоросборник, проверьте и тщательно очистите засор.
- Проверьте лоток для выгрузки травы на наличие засоров и осторожно очистите.
- Поверните инструмент набор, проверьте его дно и область вокруг зубцов. Осторожно удалите засор.

БУДЬТЕ ВСЕГДА ОСТОРОЖНЫ

Даже когда изделие используют согласно инструкциям, невозможно полностью устранить факторы риска. Следующие опасные факторы могут возникнуть в ходе использования, и оператор должен обращать особое внимание, чтобы избежать следующих опасностей:

- Травмы, вызываемые вибрацией
 - Применяйте инструмент только по своему назначению. Пользуйтесь специальными рукоятками. Ограничьте время работы.
- Травма, вызванная шумом.
 - Воздействие шума может привести к повреждению слуха. Носите устройства защиты слуха и ограничивайте продолжительность шумового воздействия.
- травма от соприкосновения с зубцами
- Травма, вызванная отбрасываемыми предметами

СНИЖЕНИЕ РИСКА

Считается, что вибрация ручного инструмента может привести к проявлению у отдельных лиц так называемой болезни Рейно (Raynaud's Syndrome). К симптомам могут относиться покалывание, онемение и побеление пальцев (как при переохлаждении). Считают, что наследственные факторы, охлаждение и влажность, диета, курение и практический опыт способствуют развитию этих симптомов. Ниже приводятся меры, которые может принять оператор для снижения воздействия вибрации:

- Одевайтесь теплее в холодную погоду. При эксплуатации изделия носите перчатки, чтобы сохранить руки и запястья в тепле. Считается, что холодная погода является основным фактором,

способствующим возникновению болезни Рейно (Raynaud's Syndrome).

- После каждого этапа работы выполните упражнения для усиления кровообращения.
- Чаще делайте перерывы в работе. Сократите длительность ежедневного пребывания на открытом воздухе.

При появлении каких-либо из указанных симптомов сразу же прекратите работу и обратитесь по их поводу к врачу.

ОСТОРОЖНО

Слишком продолжительное использование инструмента может привести к травме. При использовании инструмента в течение длительного времени делайте регулярные перерывы.

ИЗУЧИТЕ УСТРОЙСТВО

См. стр. 132.

1. Кнопка включения
2. Ручки
3. Спусковые рычаги
4. Штанга верхней рукоятки
5. Регуляторы
6. Шестигранный ключ
7. Зубцы
8. Задние колеса
9. Передние колеса
10. Удлинительный кабель
11. Аэраторная насадка
12. Рычаг регулирования высоты
13. Задняя дверца
14. Мусоросборник
15. Штанга средней рукоятки
16. Проводка
17. Держатель шнура

УСЛОВНЫЕ ОБОЗНАЧЕНИЯ НА ПРОДУКТЕ



Внимание



Перед использованием прибора внимательно ознакомьтесь с данной инструкцией.



Следует надевать средства защиты органов слуха



Используйте средства защиты органов зрения



Не подвергайте инструмент воздействию дождя и не используйте в условиях повышенной влажности.



Помните об опасности, которую представляют собой отбрасываемые устройством или вылетающие из-под него предметы. Не допускайте приближения посторонних лиц, особенно детей и домашних животных к рабочей зоне ближе чем на 15 м



Берегитесь острых зубов. Зубцы продолжают вращаться после выключения двигателя. Для проведения технического обслуживания изделия или при повреждении шнура выньте вилку из розетки питания.



Держите гибкий шнур питания подальше от режущих культиваторных лап.



Рабочая ширина: 35 см



Класс II: Защита против поражения электрическим током обеспечивается двойной изоляцией или усиленной изоляцией.



Отработанная электротехническая продукция должна уничтожаться вместе с бытовыми отходами. Утилизируйте, если имеется специальное техническое оборудование. По вопросам утилизации проконсультируйтесь с местным органом власти или предприятием розничной торговли.



Настоящий инструмент отвечает всем официальным стандартам страны ЕС, в которой он был приобретен.



Знак Евразийского Соответствия



Не производите работы на склонах с углом наклона более 15°. Двигайтесь с изделием поперек поверхности склонов, но не вверх и не вниз.



Украинский знак стандартизации



Гарантированный уровень звуковой мощности, указанный на настоящей табличке, составляет 100 дБ.

УСЛОВНЫЕ ОБОЗНАЧЕНИЯ В ДАННОМ РУКОВОДСТВЕ



Детали или принадлежности, приобретаемые отдельно



Примечание



Осторожно

Следующие сигнальные слова и значения предназначены, чтобы объяснить уровни риска, связанного с этим изделием.

ОПАСНО

Указывает неизбежно опасную ситуацию, которая, если не избежать, кончится смертельным или серьезным ущербом.

ОСТОРОЖНО

Указывает потенциально опасную ситуацию, которая, если не избежать, может кончиться смертельным или серьезным ущербом.

ПРЕДОСТЕРЕЖЕНИЕ

Указывает потенциально опасную ситуацию, которая, если не избежать, может кончиться малым или уменьшенным ущербом.

ПРЕДОСТЕРЕЖЕНИЕ

Употребляется без предупреждающего знака. Указывает на ситуацию, которая может привести к повреждению имущества.

Транспортировка:

Категорически не допускается падение и любые механические воздействия на упаковку при транспортировке.

При разгрузке/погрузке не допускается использование любого вида техники, работающей по принципу зажима упаковки.

Хранение:

Необходимо хранить в сухом месте.

Необходимо хранить вдали от источников повышенных температур и воздействия солнечных лучей.

При хранении необходимо избегать резкого перепада температур.

Хранение без упаковки не допускается.

Срок службы изделия:

Срок службы изделия составляет 5 лет.

Не рекомендуется к эксплуатации по истечении 5 лет хранения с даты изготовления без предварительной проверки.

Дата изготовления (код даты) отштампован на поверхности корпуса изделия.

Пример:

W17 Y2015, где Y2015 - год изготовления

W17 – неделя изготовления

Определить месяц изготовления можно согласно приведенной ниже таблице, на примере 2015 года.

Обратите внимание! Количество недель в месяце различается от года в год.

Месяц	Январь	Февраль	Март	Апрель	Май	Июнь	Июль	Август	Сентябрь	Октябрь	Ноябрь	Декабрь	Год
Неделя	01	05	09	14	18	22	27	31	36	40	44	49	2015
	02	06	10	15	19	23	28	32	37	41	45	50	
	03	07	11	16	20	24	29	33	38	42	46	51	
	04	08	12	17	21	25	30	34	39	43	47	52	
	05	09	13	18	22	26	31	35	40	44	48	53	
			14			27							

Bezpieczeństwo, efektywność i niezawodność były czynnikami o najwyższym priorytecie w trakcie projektowania Państwa wertykulatora lub aeratora elektrycznego.

PRZEZNACZENIE URZĄDZENIA

Wertykulator lub areator elektryczny przeznaczony jest do stosowania wyłącznie na wolnym powietrzu. Podczas wertykulacji lub aeracji wszystkie cztery koła powinny stykać się z podłożem.

Produkt wyposażony jest w noże wertykulacyjne i przeznaczony do wertykulacji trawników w warunkach domowych.

Produkt wyposażony jest w przystawkę do aeracji i przeznaczony do wykonywania otworów w glebie w celu zmniejszenia poziomu jej zagęszczenia.

Produkt jest sterowanym przez pieszego operatora, zasilanym z sieci wertykulatorem przeznaczonym do ręcznego pchania. Produktu nie należy ciągnąć ani nie należy na nim jeździć. Należy go używać tylko i wyłącznie do koszenia trawy na przydomowych trawnikach.

Nie używać do żadnych innych celów.

OGÓLNE ZASADY BEZPIECZEŃSTWA DOTYCZĄCE URZĄDZEŃ ELEKTRYCZNYCH

OSTRZEŻENIE

Podczas używania tego urządzenia należy przestrzegać odpowiednich zasad bezpieczeństwa. Aby zapewnić bezpieczeństwo sobie i osobom postronnym, przed przystąpieniem do użytkowania urządzenia należy zapoznać się z niniejszą instrukcją. Niniejszą instrukcję należy przechowywać w bezpiecznym miejscu do późniejszego użytku.

BEZPIECZEŃSTWO OSOBISTE

- Produkt może doprowadzić do amputacji dłoni i stóp, a ponadto może miotać przedmiotami. Nieprzestrzeganie wszelkich zasad bezpieczeństwa grozi poważnym zranieniem lub śmiercią.
- Należy zapoznać się z przyrządami sterowania oraz zasadami prawidłowej obsługi produktu.
- Nie wolno pozwalać obsługiwać, czyścić ani konserwować tego urządzenia dzieciom lub osobom o ograniczonych zdolnościach fizycznych, sensorycznych lub umysłowych ani osobom, które nie przeczytały tych instrukcji. Lokalne przepisy mogą ograniczać dopuszczalny wiek operatora. Należy dopilnować, aby dzieci nie bawiły się produktem.
- Podczas eksploatacji produktu należy być czujnym, obserwować to, co się robi i zachować rozsądek. Nie wolno obsługiwać tego urządzenia w stanie zmęczenia, choroby, będąc pod wpływem alkoholu, środków odurzających lub lekarstw. Utrata koncentracji podczas pracy urządzenia może spowodować poważne obrażenia ciała.
- Nosić ciężkie, długie spodnie, długie rękawy, a także solidne, antypoślizgowe obuwie. Nie nosić krótkich spodni i sandałów, ani nie pracować z bosymi stopami.

Unikać zakładania luźnej odzieży, ze sznurkami lub krawatem.

- Podczas pracy należy mieć założone okulary ochronne z osłonami bocznymi.
- Nie sięgać zbyt daleko. Zawsze należy pewnie stać na ziemi, szczególnie przy poruszaniu się na zboczach. Stojąc, należy zachować stabilność i równowagę. Podczas pracy należy chodzić, nie wolno biegać.
- Produkt należy prowadzić w poprzek zbocza, a nie pod górę lub z góry. Zachować szczególną ostrożność podczas zmiany kierunku jazdy na pochyłym terenie.
- Nie używać produktu w pobliżu urwisk, rowów, zbyt stromych zboczy lub nabrzeży. Brak pewnego oparcia dla stóp grozi poślizgiem i upadkiem.

OTOCZENIE ROBOCZE

- Nie wolno używać tego urządzenia, gdy w pobliżu znajdują się osoby postronne, szczególnie dzieci lub zwierzęta.
- Przedmioty uderzone przez noże wertykulatora mogą powodować poważne obrażenia ciała. Dokładnie sprawdzić obszar, na którym będzie używane urządzenie i usunąć wszystkie kamienie, gałęzie, przewody, kości, zabawki i inne przedmioty obcego pochodzenia.
- Produkt należy obsługiwać wyłącznie przy świetle dziennym lub przy odpowiednim sztucznym oświetleniu.
- Nie używać urządzenia w atmosferze wybuchowej, np. w obecności łatwopalnych cieczy, gazów i pyłów. Narzędzie może wytwarzać iskry, co może spowodować zapłon pyłu lub oparów.
- Nie używać narzędzia na mokrej trawie lub podczas deszczu.
- Nie uruchamiać maszyny na powierzchni żwirowej lub utwardzonej, gdzie wyrzucany materiał może spowodować zranienie.
- Produkt można stosować wyłącznie na równej powierzchni, pchając go dwoma dłońmi opartymi na uchwycie.
- Należy unikać stosowania wertykulatora przy złej pogodzie, zwłaszcza gdy istnieje ryzyko uderzenia pioruna.
- Należy pamiętać, że operator lub użytkownik jest odpowiedzialny za spowodowanie wypadku lub zagrożenia bezpieczeństwa osób i mienia.
- Może dojść do tragicznego wypadku, jeśli operator nie zauważy obecności dzieci. Nie wolno nigdy zakładać, że dzieci pozostają tam, gdzie je ostatnio widziano.
- Trzymać dzieci z dala od koszonego terenu, pod staranną opieką odpowiedzialnej, innej niż operator osoby dorosłej, a ponadto zachować ostrożność i wyłączać produkt, gdy na koszonej terenie znajduje się dziecko.
- Zachować szczególną ostrożność w trakcie zbliżania się do narożników ograniczających widoczność, krzewów, drzew lub innych obiektów, które mogą ograniczać widoczność, w tym zwisających roślin.

EN
FR
DE
ES
IT
NL
PT
DA
SV
FI
NO
RU
PL
CS
HU
RO
LV
LT
ET
HR
SL
SK
BG
UK
TR

ZASADY BEZPIECZEŃSTWA DOTYCZĄCE OBSŁUGI URZĄDZEŃ ELEKTRYCZNYCH

- Wtyczka musi pasować do gniazda elektrycznego. Nie wolno modyfikować wtyczek w żaden sposób. Nie wolno używać żadnych przejściówek do podłączania urządzeń posiadających przewód zasilania z uziemieniem. Stosowanie oryginalnych wtyczek i dopasowanych gniazd sieciowych zmniejsza ryzyko porażenia prądem.
- Unikać możliwości przypadkowego uruchomienia urządzenia. Przed podłączeniem produktu do źródła zasilania zawsze należy sprawdzać, czy przełącznik znajduje się w położeniu wyłączenia (Off). Nie wolno przenosić podłączonego do prądu urządzenia trzymając palec na wyłączniku.
- Unikać kontaktu ciała z powierzchniami uziemionymi lub podłączonymi do bieguna zerowego, np. rury, instalacje grzewcze i chłodnicze. Kontakt ciała z masą lub uziemieniem zwiększa ryzyko porażenia prądem.
- Nie narażać tego produktu na działanie deszczu lub wody. Woda dostająca się do urządzenia stwarza zagrożenie porażenia prądem.
- Urządzenie powinno być zasilane przez wyłącznik różnicowo-prądowy (RCD), o prądzie zadziałania nie większym niż 30 mA.
- Przed rozpoczęciem użytkowania należy sprawdzić, czy kabel zasilania i przedłużacz nie są uszkodzone lub zużyte. W przypadku uszkodzenia przewodu zasilania podczas pracy, należy natychmiast wyjąć wtyczkę z gniazda zasilania. Uszkodzenia przewodów mogą prowadzić do kontaktu z częściami pod napięciem. **Nie dotykać przewodu zasilania przed odłączeniem zasilania.** Nie używać urządzenia w przypadku uszkodzenia lub zużycia kabla zasilania.
- Uszkodzony przewód zasilający powinien zostać wymieniony przez osobę posiadającą profesjonalne uprawnienia w tym zakresie na nowy, kompletny przewód dostępny w ofercie producenta. Niestosowanie się do niniejszego zalecenia może skutkować poważnym obrażeniami operatora i innych osób, w tym porażeniem prądem.
- Jeśli konieczne jest użycie przedłużacza, należy upewnić się, że nadaje się on do stosowania na zewnątrz pomieszczeń oraz że ma parametry (moc podłączonych urządzeń) umożliwiające podłączenie danego produktu. Przedłużacz powinien mieć oznaczenie „H05 RN F” lub „H05 VV F”. Przed każdym użyciem należy sprawdzić, czy nie ma uszkodzeń i zawsze należy go rozwinąć, ponieważ zwinięty przewód może się przegrzewać. Uszkodzone przedłużacze należy wymienić na inne urządzenia podobnego typu. Uszkodzonych przedłużaczy nie należy naprawiać.
- Przedłużacze należy trzymać z dala od ruchomych części niebezpiecznych, aby uniknąć uszkodzeń przewodów, które mogą prowadzić do kontaktu z częściami znajdującymi się pod napięciem.
- Należy upewnić się, że przewód zasilający jest umieszczony w taki sposób, że nie można go uszkodzić poprzez przecięcie, nie zostanie nadepnięty, zaczepiony lub uszkodzony lub narażony w inny sposób.

- Nie podnosić ani nie przenosić produktu za przewód elektryczny.
- Nie ciągnąć za przewód zasilania w celu wyjęcia wtyczki z gniazda.
- Przewód zasilania trzymać z dala od źródeł ciepła, oleju i ostrych krawędzi.
- Należy upewnić się, że produkt jest zasilany odpowiednim napięciem. Napięcie zasilania tego produktu podano na tabliczce znamionowej. Nie podłączać urządzenia do zasilania prądem AC o napięciu innym niż znamionowe.
- Należy zawsze upewnić się, że przewód prowadzący od uchwytu do korpusu wertykulatora nie zostanie uwieczony, przygnieciony lub w inny sposób uszkodzony na żadnym z etapów montażu lub składania uchwytu. Nigdy nie należy podłączać produktu do zasilania, jeśli przewód jest uszkodzony. Serwisowanie należy powierzać wyłącznie autoryzowanemu serwisowi.
- Skok mocy powoduje wahanie napięcia, które mogą oddziaływać na pracę innych urządzeń elektrycznych podłączonych do tego samego obwodu elektrycznego. Podłączyć produkt do źródła zasilania o impedancji wynoszącej maks. $0,452\Omega$ (RY1400SF35A, RY1400SF35B) Ω , aby ograniczyć wahanie napięcia. Dodatkowe informacje można uzyskać u dostawcy energii elektrycznej.

WERTYKULATOR I AERATOR ELEKTRYCZNY – OSTRZEŻENIA DOTYCZĄCE BEZPIECZEŃSTWA

- Noże produktu są ostre. Przy montażu, wymianie, czyszczeniu lub kontroli dokręcenia śrub należy zachować szczególną ostrożność i nosić grube rękawice ochronne.
- Należy sprawdzić, czy wszystkie wkrety, nakrętki, śruby i inne elementy mocujące są prawidłowo zamocowane, jak również czy osłony i sita znajdują się na swoim miejscu. Wymienić uszkodzone lub nieczytelne etykiety.
- Wymienić zużyte lub uszkodzone części przed rozpoczęciem pracy z produktem.
- Przed rozpoczęciem wertykulacji należy zamontować pojemnik na odpady. Pojemnik na odpady należy opróżnić, gdy jest pełny, i ponownie zamontować przed wznowieniem pracy.
- Produkt można uruchomić wyłącznie wtedy, gdy użytkownik znajduje się za uchwytami w bezpiecznej strefie użytkownika. Nie wolno uruchamiać produktu, jeśli:
 - wszystkie cztery koła nie znajdują się na ziemi
 - kanał wyrzutu odpadów jest odsłonięty, a ponadto nie jest chroniony przez pojemnik na odpady oraz pokrywę kanału wyrzutu odpadów.
- Nigdy nie wolno obsługiwać produktu, jeśli włącznik/wyłącznik na uchwycie nie działa prawidłowo i nie zapewnia prawidłowego uruchamiania i zatrzymywania produktu.
- Nigdy nie należy podejmować prób blokowania wyłączników w położeniu oznaczającym włączenie; jest to bardzo niebezpieczne.

- Nie przeciążać urządzenia. Urządzenie będzie najwydajniejsze i najbezpieczniejsze w obsłudze, jeśli będzie używane zgodnie z zamierzonymi parametrami pracy.
- Na czas przekraczania powierzchni żwirowych należy zatrzymać obroty wałka nożowego wertykulatora.
- Należy zachować szczególną ostrożność podczas cofania lub ciągnięcia produktu do siebie.
- Na czas przechylenia produktu w celu transportu na powierzchniach innych niż trawa, a także na czas transportu produktu do miejsca pracy i z takiego miejsca, należy zatrzymać wałek nożowy.
- Nigdy nie należy używać produktu z uszkodzonymi osłonami lub bez zamontowanych zabezpieczeń, na przykład deflektorów i/lub pojemnika na odpady.
- Nie należy przechylać produktu podczas włączania silnika, chyba że urządzenie musi zostać przechylone w celu uruchomienia. Jeśli jest to absolutnie konieczne, można podnieść tylko tę część, która znajduje się z dala od operatora. Przed odchyleniem maszyny z powrotem na podłoże należy zawsze upewnić się, że obie dłonie znajdują się w pozycji roboczej.
- Ostrożnie włączyć produkt zgodnie z instrukcją i trzymać dłonie oraz stopy z dala od noży. Nie umieszczać rąk lub nóg w pobliżu lub pod częściami obrotowymi. Należy cały czas trzymać się z dala od otworów wyrzutowych.
- Nigdy nie wolno podnosić ani przenosić produktu, gdy silnik pracuje.
- Przewód zasilający i przedłużacz należy trzymać z dala od noży.
- Wyłączyć produkt i odłączyć go od źródła zasilania. Upewnić się, że wszystkie elementy ruchome zostały całkowicie zatrzymane:
 - w przypadku pozostawiania produktu bez nadzoru (również w przypadku opróżniania kosza).
 - przed oczyszczeniem mechanizmu z blokujących go resztek lub udrożnieniem kanału wyrzutowego
 - przed sprawdzeniem, czyszczeniem i użytkowaniem produktu,
 - po uderzeniu obcego obiektu; należy sprawdzić urządzenie pod kątem uszkodzeń i w razie potrzeby dokonać niezbędnych napraw przed uruchomieniem i kontynuowaniem pracy,
- Jeśli produkt zaczyna anormalnie wibrować, natychmiast sprawdzić:
 - sprawdzić na oznaki uszkodzeń
 - wymienić lub naprawić wszystkie uszkodzone elementy
 - sprawdzić, czy nie ma obluźwionych elementów i w razie potrzeby dokręcić je
- Unikać dziur, korzeni, skał, wybrzuszeń terenu i innych ukrytych w trawie obiektów. Nierówny teren grozi poślizgiem i upadkiem.
- Natychmiast zwolnić uchwyt i trzymać się z dala od produktu, jeżeli:
 - produkt się zapali;
 - osłona i/lub obudowa pęknie;

- pojawią się nietypowe odgłosy.
- dojdzie do wypadku lub awarii;

⚠ OSTRZEŻENIE

Przed zdjęciem lub zamontowaniem pojemnika na odpady należy upewnić się, że wałek nożowy całkowicie się zatrzymał.

⚠ OSTRZEŻENIE

Nie dotykać ruchomych części niebezpiecznych, zanim produkt nie zostanie odłączony od źródła zasilania, a ruchome części niebezpieczne nie zatrzymają się całkowicie.

ZABEZPIECZENIE PRZED PRZECIĄŻENIEM

Produkt posiada urządzenie zabezpieczające przed przeciążeniem. W przypadku wykrycia przeciążenia produkt automatycznie się wyłączy. W przypadku wyzwolenia zabezpieczenia przed przeciążeniem należy poczekać od 5 do 10 minut, aż silnik ostygnie.

Wyłączyć produkt i odłączyć go od źródła zasilania. Noże są ostre — przed dotknięciem należy założyć wytrzymałe rękawice. Należy upewnić się, że wałek nożowy może się swobodnie obracać i nie jest zakleszczony lub zbyt mocno dokręcony.

Gdy silnik ostygnie, podłączyć wtyczkę do źródła zasilania i włączyć produkt. Naciśnąć przycisk Start, a następnie przycisk włączania/wyłączania, aby uruchomić produkt. Jeśli produkt nie uruchamia się, serwisowanie należy powierzać wyłącznie autoryzowanemu serwisowi.

WERTYKULACJA – WSKAZÓWKI OGÓLNE

- Głębokość nacinania należy dostosować do potrzeb trawnika i długości trawy.
- Jeśli na trawniku występuje problem z mchem, na tydzień przed planowaną wertykulacją należy skosić trawnik i zastosować środek do usuwania mchu.
- Kilka dni przed wertykulowaniem należy podlać trawnik, tak by był wilgotny, ale nie nadmiernie mokry.

TRANSPORT I PRZECHOWYWANIE

- Usunąć z produktu wszelkie zanieczyszczenia. Należy przechowywać urządzenie w chłodnym, suchym i dobrze wentylowanym miejscu, które jest niedostępne dla dzieci. Nie przechowywać urządzenia wraz z materiałami korozyjnymi, takimi jak ogrodowe substancje chemiczne lub sól odmrażająca. Nie przechowywać produktu poza pomieszczeniami.
- W przypadku transportu produktu należy zabezpieczyć go przed przemieszczaniem się lub upadkiem, aby nie dopuścić do obrażeń ciała lub uszkodzenia urządzenia.

EN
FR
DE
ES
IT
NL
PT
DA
SV
FI
NO
RU
PL
CS
HU
RO
LV
LT
ET
HR
SL
SK
BG
UK
TR

⚠ OSTRZEŻENIE

Należy zachować szczególną ostrożność w przypadku podnoszenia lub przechylania maszyny na potrzeby konserwacji, czyszczenia, przechowywania lub transportu. Noże są ostre — wszystkie części ciała należy trzymać z dala od wałka nożowego, gdy jest on odsonięty.

KONSERWACJA

⚠ OSTRZEŻENIE

Należy stosować wyłącznie oryginalne części zamienne, akcesoria oraz przystawki producenta. W przeciwnym razie może dojść do obrażeń ciała, niskiej wydajności oraz do unieważnienia gwarancji.

⚠ OSTRZEŻENIE

Serwisowanie wymaga wyjątkowej staranności i wiedzy. Może być wykonywane wyłącznie przez wykwalifikowany personel serwisowy. Serwisowanie należy powierzać wyłącznie autoryzowanemu serwisowi. Do serwisowania należy stosować wyłącznie oryginalne części zamienne producenta.

- Gdy produkt zostanie zatrzymany w celu wykonania czynności serwisowych, kontroli, przechowywania lub wymiany akcesoriów, należy wyłączyć źródło zasilania, odłączyć produkt od źródła zasilania i upewnić się, że wszystkie ruchome części zostały całkowicie zatrzymane. Odczekaj, aż maszyna ostygnie przed przystąpieniem do dokonywania kontroli, regulacji itp. Produkt należy starannie konserwować i utrzymywać w czystości.
- Należy często sprawdzać, czy pojemnik na odpady nie jest zużyty, a także czy nie ma dziur lub innych uszkodzeń.
- Możesz wykonywać czynności regulacyjne i naprawcze opisane w tej instrukcji obsługi. W przypadku innych napraw lub pytań należy zwrócić się o pomoc do autoryzowanego punktu serwisowego.
- Ze względów bezpieczeństwa, należy wymieniać elementy zużyte lub uszkodzone. Używać wyłącznie oryginalnych części zamiennych i akcesoriów.
- Po każdym użyciu należy wyczyścić produkt miękką, suchą szmatką. Każdą uszkodzoną część należy odpowiednio naprawić lub wymienić w autoryzowanym punkcie serwisowym.
- Systematycznie sprawdzać, czy wszystkie nakrętki, wkręty i śruby są dobrze dokręcone, aby upewnić się, że produkt jest w bezpiecznym stanie.
- Podczas regulacji produktu należy zachować ostrożność, aby zapobiec uwięzieniu palców pomiędzy ruchomymi nożami i nieruchomymi częściami produktu.
- Podczas serwisowania wałka nożowego należy pamiętać, że można go obracać nawet przy wyłączonym źródle zasilania.

- Noże produktu są ostre. Przy montażu, wymianie, czyszczeniu lub kontroli dokręcenia śrub należy zachować szczególną ostrożność i nosić grube rękawice ochronne.

USUWIENIENIE ZATORÓW

- Wyłączyć produkt i odłączyć go od źródła zasilania.
- Przed sprawdzeniem stanu i usuwaniem zablokowanych materiałów zawsze należy zakładać grube rękawice ochronne. Noże są ostre, a przyczyną blokady również może być ostry przedmiot.
- Zdemontować pojemnik na odpady, sprawdzić, czy nie ma przeszkód, a także ostrożnie je usunąć.
- Sprawdzić kanał wyrzutu trawy pod kątem braku blokad i ostrożnie go oczyścić.
- Obrócić produkt na bok i sprawdzić jego spód oraz obszar wokół noży. Ostrożnie usunąć wszelkie znalezione blokady.

RYZYKO ZWIĄZANE Z UŻYTKOWANIEM

Nawet jeśli produkt jest używany zgodnie z zaleceniami, nadal nie jest możliwe wyeliminowanie określonych czynników ryzyka. Następujące zagrożenia mogą wystąpić podczas używania urządzenia i operator powinien zwracać szczególną uwagę na poniższe punkty:

- Urazy ciała spowodowane przez wibracje
 - Zawsze należy używać odpowiedniego narzędzia do danej pracy. Stosować wyznaczone uchwyty. Ograniczać czas pracy i narażenie na kontakt z pracującym urządzeniem.
- Urazy ciała spowodowane hałasem
 - Narażenie na hałas może spowodować zaburzenia słuchu. Należy stosować środki ochrony słuchu i ograniczyć czas narażenia na hałas.
- obrażenia wskutek kontaktu z zębami
- Urazy spowodowane przez miotane przedmioty

OGRANICZENIE RYZYKA

Badania dowodzą, że wibracje powodowane przez narzędzia ręczne mogą wywoływać u niektórych osób objawy syndromu Raynauda. Typowe objawy to mrowienie, drętwienie i blednięcie palców, widoczne zwykle po wystawieniu na działanie zimna. Uważa się, że czynniki dziedziczne, wystawienie na działanie zimna i wilgoci, dieta, palenie papierosów i przyjęte zwyczaje przyczyniają się do rozwoju tych objawów. Istnieją środki zaradcze, które może podjąć operator narzędzia, aby zmniejszyć efekt wibracji:

- Zadbaj w niskich temperaturach o ciepłotę własnego ciała, zakładając odpowiednie ubranie. Podczas obsługi produktu należy nosić rękawice, aby dłonie i nadgarstki były ciepłe. Wiadomo, że niskie temperatury są główną przyczyną powstawania objawu Raynauda.
- Podczas przerw w pracy należy wykonywać ćwiczenia poprawiające krążenie krwi..
- Podczas pracy robić częste przerwy. Ograniczyć ekspozycję w ciągu dnia.

W razie doświadczenia dowolnego z wymienionych

objawów, należy niezwłocznie zaprzestać użytkowania tego urządzenia i skontaktować się z lekarzem.

⚠ OSTRZEŻENIE

Długotrwałe użytkowanie narzędzia może spowodować obrażenia ciała lub nasilić dolegliwości zdrowotne. W przypadku używania narzędzia przed dłuższy czas należy pamiętać o regularnych przerwach.

ZAPOZNAJ SIĘ ZE SWOIM PRODUKTEM

Patrz str. 132.

1. Przelącznik
2. Uchwyty
3. Spusty
4. Górny pałąk uchwytu
5. Pokręta
6. Klucz imbusowy
7. Noże
8. Koła tylne
9. Koła przednie
10. Przedłużacz
11. Przystawka do aeracji
12. Dźwignia regulacji wysokości
13. Drzwi tylne
14. Kosz na odpadki
15. Środkowy pałąk uchwytu
16. Przewody
17. Zaczep przewodu

SYMBOLE UMIESZCZONE NA PRODUKCIE



Zagrożenie bezpieczeństwa



Przed uruchomieniem urządzenia prosimy uważnie przeczytać instrukcję.



Nosić środki ochrony słuchu



Zakładać środki ochrony wzroku



Nie wystawiać urządzenia na działanie deszczu ani używać w miejscach o dużej wilgotności.



Uwaga na odrzucane przedmioty. Wszystkie osoby postronne, a szczególnie dzieci i zwierzęta, muszą znajdować się w odległości przynajmniej 15 metrów od miejsca pracy.



Uwaga na ostre noże!
Po wyłączeniu silnika noże nadal się obracają.
Przed konserwacją lub w przypadku uszkodzenia przewodu należy wyłączyć produkt i wyjąć wtyczkę z gniazdka.



Elastyczny przewód zasilający musi znajdować się w bezpiecznej odległości od zębów.



Szerokość robocza 35 cm



Klasa II: Zabezpieczenie przed porażeniem prądem elektrycznym jest zrealizowane przez podwójną lub wzmacnioną izolację.



Zużyte produkty elektryczne nie powinny być utylizowane z odpadami domowymi. Prosimy poddawać recyklingowi w odpowiednich miejscach. Informacje o właściwych metodach recyklingu można uzyskać u władz lokalnych lub sprzedawcy.



Produkt spełnia wszystkie wymagania norm w kraju należącego do Unii Europejskiej, gdzie produkt został zakupiony.



Oznaczenie zgodności EurAsian



Nie używać na pochyłościach większych niż 15°. Produkt należy prowadzić w poprzek zbrocza, a nie pod górę lub z góry.



Ukraiński znak zgodności



Podany na tej etykiecie gwarantowany poziom dźwięku to 100 dB.

SYMBOLE STOSOWANE W NINIEJSZEJ INSTRUKCJI



Części lub akcesoria sprzedawane osobno



Uwaga



Ostrzeżenie!

- EN
- FR
- DE
- ES
- IT
- NL
- PT
- DA
- SV
- FI
- NO
- RU
- PL**
- CS
- HU
- RO
- LV
- LT
- ET
- HR
- SL
- SK
- BG
- UK
- TR

Poniższe symbole i nazwy które im nadano, pozwalają wyjaśnić różne poziomy ryzyka związanego z używaniem tego narzędzia.

 **NIEBEZPIECZEŃSTWO**

Wskazuje na realne zagrożenie, które może spowodować śmierć lub poważne zranienie, jeżeli się nie uniknie tego niebezpieczeństwa.

 **OSTRZEŻENIE**

Wskazuje na potencjalne zagrożenie, które może spowodować śmierć lub poważne zranienie, jeżeli się nie uniknie tego niebezpieczeństwa.

 **UWAGA**

Wskazuje na potencjalne zagrożenie, które może spowodować mniejsze lub bardziej poważne zranienie, jeżeli się nie uniknie tego niebezpieczeństwa.

UWAGA

Bez symbolu ostrzeżenia
Sytuacja, która może grozić uszkodzeniem mienia.

V provedení tohoto elektrického rozrývače nebo provzdušňovače hrají hlavní roli bezpečnost, provozní vlastnosti a spolehlivost.

ZAMÝŠLENÉ POUŽITÍ

Tento elektrický rozrývač nebo provzdušňovač je určen pouze pro venkovní používání. Během rozrývání nebo provzdušňování se musí všechna čtyři kola dotýkat země.

Tento výrobek osazený rozrývacími hroty je určen k rozrývání zahradních trávníků.

Tento výrobek osazený provzdušňovacími nástavcem slouží k vytváření otvorů v zemině, aby snížil její zhutnění.

Pohyb hrotů je u toho rozrývače trávníků zajištěn napájením z elektrické sítě a pojezd ručním tlačením. Nepojíždějte s rozrývačem tažením a nejezděte na něm. Nesmí se používat pro jiné účely než sečení trávníků v domácím prostředí.

Přístroj nepoužívejte ji k jiným účelům.

OBCENÁ BEZPEČNOSTNÍ VAROVÁNÍ K ELEKTRICKÝM NÁSTROJŮM

⚠ VAROVÁNÍ

Při používání výrobku musí být dodrženy bezpečnostní předpisy. Pro vaši vlastní bezpečnost i bezpečnost kolemjdoucích si přečtěte tento návod k obsluze. Tyto pokyny uschovejte pro příští použití.

OSOBNÍ BEZPEČNOST

- Tato sekačka na trávu může amputovat končetiny a odmrštovat předměty. Pochybení při dodržování všech bezpečnostních pokynů tak může způsobit úraz nebo usmrcení.
- Seznamte se s ovládaním a řádným používáním nástroje.
- Produkt není určen pro používání osobami, včetně dětí se sníženými tělesnými, smyslovými nebo duševními schopnostmi nebo s nedostatkem zkušeností a znalostí, pokud neprošli školením ohledně používání, čištění či údržby. Místní předpisy mohou omezovat dobu obsluhy. Dohlédněte, aby si děti se spotřebičem nehrály.
- Buďte ve střehu, hlídejte, co děláte a používejte zdravý rozum při provozu tohoto výrobku. Nepoužívejte, pokud jste unaveni nebo pod vlivem drog, alkoholu nebo léků. Chvilce nepozornosti při práci s tímto výrobkem může zapříčinit vážná osobní poranění.
- Používejte pevné dlouhé kalhoty, dlouhý rukáv a pevnou protiskluzovou obuv. Nenoste krátké kalhoty ani sandály, nebuďte naboso. Zamezte nošení volných oděvů, nebo které mají vlající šňůrky nebo pásky.
- Vždy noste bezpečnostní brýle s postranními štítky.
- Nepřečeňujte se. Vždy na svazích zabezpečte své pevné postavení. Udržujte bezpečné postavení a rovnováhu. Chodte, nikdy neběhejte.
- Na strmých svazích používejte výrobek po vrstevnicích, nikdy ve směru nahoru a dolů. Je třeba opatnosti, když měníte směr na svahu.

- Nesečte v blízkosti srázů, prudkých svahů, příkopů nebo hrází. Nedostatečné postavení může způsobit uklouznutí a pád.

PRACOVNÍ PROSTŘEDÍ

- Nikdy nepracujte s přístrojem, když jsou v blízkosti osoby, obzvláště děti nebo domácí zvířata.
- Předměty, do kterých narazí hroty rozrývače, mohou způsobit vážný úraz. Rádně prohleďte oblast, kde se má nástroj používat a odstraňte všechny kameny, kůly, kovy dráty, kosti, hračky a cizí předměty.
- Používejte výrobek pouze ve dne nebo v dobrém umělém osvětlení.
- Nepracujte s tímto strojem ve výbušných prostředích, například v přítomnosti hořlavých kapalin, plynů nebo prachu. Nástroj vytváří jiskry, které mohou zapálit prach nebo výpary.
- Nepoužívejte stroj v dešti nebo ve vlhké trávě.
- Neprovazujte stroj na dlážděné nebo šterkové ploše, kdy by mohl vystřelený materiál způsobit poranění.
- Rozrývač používejte pouze na rovném povrchu při jeho tlačení oběma rukama a s polohou obsluhy za madlem.
- Rozrývač nepoužívejte za špatného počasí, obzvláště pokud hrozí zasažení bleskem.
- Uživatel nebo obsluha tohoto zahradnického nástroje je zodpovědná za nehody nebo nebezpečí způsobená na jiné osobě nebo jejich majetku.
- Mohou nastat tragické nehody, pokud není obsluha upozorněna na přítomnost dětí. Nikdy nespolehejte na to, že děti zůstanou tam, kde jste je naposledy viděli.
- Udržujte děti mimo sečenou oblast a pod kontrolou zodpovědné dospělé osoby, která sekačku nepoužívá. Buďte ve střehu a pokud se dítě v sečené oblasti naskytne, výrobek vypněte.
- Dbejte zvýšené pozornosti při sekání nepřehledných koutů, keřů, stromů a jiných předmětů včetně převislých keřů, které vám mohou zaclánět ve výhledu.

ELEKTRICKÁ BEZPEČNOST

- Elektrické zástrčky musí být shodné s elektrickou zásuvkou. Nepokoušejte se zástrčku jakýmkoliv způsobem upravovat. Nepoužívejte žádný adaptér zástrček se zemněným (uzemněným) elektricky poháněným nástrojem. Neupravené zástrčky a shodné zásuvky snižují nebezpečí elektrického úrazu.
- Zabraňte náhodnému spuštění. Vždy zkontrolujte, že je před zapojením výrobku do síťové zásuvky spínač v poloze Off (VYPNUTO). Nenoste zapojených nástroj s prstem na spínači.
- Předcházte tělesnému kontaktu s uzemněnými nebo zemněnými povrchy, například trubkami, radiátory, sporáky a lednicemi. Je zde zvýšené nebezpečí zásahu elektrickým proudem, pokud je vaše tělo zemněno nebo uzemněno.
- Nevystavujte tento přístroj dešti nebo vlhkým podmínkám. Voda vnikající do zařízení zvyšuje nebezpečí elektrického úrazu.
- Elektrické zařízení musí být napájeno přes proudový chránič s reziduálním proudem nepřesahujícím 30 mA.

- Před používáním zkontrolujte napájení a prodlužovací kabel na známky poškození nebo opotřebenosti. Pokud se kabel zničí během používání, odpojte kabel ihned z elektrické zásuvky. Poškozený kabel může způsobit zasažení elektrickým proudem. **Nedotýkejte se kabelu před odpojením z elektrické zásuvky.** Nepoužívejte nástroj, když je kabel poškozen nebo ve špatném stavu.
- V případě poškození napájecího kabelu je potřeba jej vyměnit odborně kvalifikovanou osobou za nový kabel od výrobce. Nedodržení tohoto pokynu může vést k vážnému úrazu včetně usmrcení elektrickým proudem.
- Pokud potřebujete použít prodlužovací kabel, ujistěte se, že je vhodný pro venkovní použití a má dostatečnou proudovou kapacitu pro napájení výrobku. Prodlužovací kabel by měl být označen buď „H05 RN F“ nebo „H05 VV F“. Zkontrolujte před každým použitím na poškození, vždy během používání kabel plně rozvířte, smotaný kabel se může přehřívat. Poškozený prodlužovací kabel nahraďte vhodným typem. Poškozený prodlužovací kabel neopravujte.
- Prodlužovací kabely musí být mimo dosah nebezpečných pohyblivých dílů, aby se zabránilo poškození těchto kabelů, které by mohlo způsobit styk s nebezpečným napětím proti zemi.
- Ujistěte se, zda je kabel umístěn tak, aby se nepoškodil, tedy aby se po něm nešlapalo, neklopýtalo se o něj a aby nebyl jiným způsobem vystaven možnému poškození či namáhání.
- Nikdy výrobek nevezdejte ani nepřenášejte uchopením za elektrický kabel.
- Nikdy netahejte za napájecí kabel, chcete-li jej odpojit od elektrické sítě.
- Dávejte pozor, aby se napájecí kabel nedostal do kontaktu s horkem, olejem nebo ostrými hranami.
- Zkontrolujte, zda je napětí napájecí soustavy vhodné pro výrobek. Štítek s názvem výrobku udává pracovní napětí zařízení. Nikdy nepřipojujte produkt ke střídavému napětí, které se liší od tohoto napětí.
- Kabel z madla k rozrývači se nesmí během sestavování nebo skládání madla nikdy zachytit, skrýpnout, ani jinak poškodit. Nikdy rozrývač nepřipojujte k napájení, jestliže je napájecí kabel poškozen. Výrobek nechte opravit pouze v pověřeném servisu.
- Výkonové špičky způsobují napěťovou fluktuaci a mohou ovlivnit ostatní elektrické přístroje na stejném napájecím okruhu. Připojte výrobek ke zdroji napájení s impedancí rovné či menší jak 0,452Ω (RY1400SF35A, RY1400SF35B) Ω pro minimalizaci napěťové fluktuace. Více informací vám poskytne váš dodavatel elektrické energie.
- Z důvodu bezpečnosti měňte opotřebenou nebo poškozenou díly před provozem zařízení.
- Před zahájením rozrývání instalujte sběrnou nádobu. Při naplnění sběrné nádoby ji vyprázdněte a před pokračováním v rozrývání znovu nasadte.
- Výrobek se musí spouštět uživatelem z říditkami v bezpečné zóně obsluhy. Nikdy nezapínajte výrobek, pokud:
 - všechna čtyři kola se nedotýkají země
 - výhoz není zakrytý a není chráněný sběrnou nádobou ani krytem vyhazovače.
- Nikdy nepoužívejte výrobek, pokud přepínač on/off (zap/vyp) na říditkách správně nespouští a nezastavuje produkt.
- Vypínače nikdy nearetuje v poloze zapnuto; je to velmi nebezpečné.
- Nepoužívejte nadměrnou sílu na nástroj. Nástroj bude svou práci provádět lépe a bezpečněji při určeném přísunu materiálu, pro který byl navržen.
- Při přejíždění štěrkaného povrchu zastavte pohyb hrotů.
- Je třeba velké opatrnosti, když výrobek tlačíte nebo vracíte směrem k sobě.
- Pohyb hrotů zastavte, pokud je potřeba rozrývač naklonit při přejíždění jiných povrchů než zatvrzlých a při jeho přenášení.
- Rozrývač nikdy nepoužívejte s vadnými ochrannými kryty nebo štíty, ani bez ochranných zařízení, například bez nasazených deflektorů a/nebo sběrné nádoby.
- Během chodu motoru rozrývač nenaklápějte kromě nutnosti naklonení při spouštění. Je naprosto nutné zdvihnout pouze tu část, která je na vzdálené straně od obsluhy. Před vrácením rozrývače na zem musí být obě ruce vždy v provozní poloze.
- Rozrývače zapínejte opatrně podle pokynů, přičemž udržujte nohy a ruce z dosahu hrotů. Nemějte své ruce nebo nohy v blízkosti nebo pod rotujícími díly. Vždy udržujte výstupní otvory čisté.
- Nikdy výrobek nepřevracujte ani nepřenášejte, pokud je motor v chodu.
- Napájecí a prodlužovací kabel musí být vždy mimo dosah hrotů.
- Vypněte produkt a odpojte jej od elektrické sítě. Ujistěte se, že se zastavily všechny pohyblivé díly:
 - kdykoli necháte produkt bez dozoru (včetně likvidace posečené trávy).
 - před čištěním nánosů nebo vyprázdněním výhozu
 - před kontrolou, čištěním nebo prací na nástroji,
 - po nárazu cizího předmětu; prohlédněte přístroj na poškození a proveďte opravy před restartem a obsluhou stroje.
- Pokud výrobek začne nezvykle vibrovat, okamžitě zkontrolujte:
 - zjistěte škody
 - výměna a oprava všech poškozených dílů
 - zkontrolujte a utáhněte všechny volné části
- Vyhýbejte se díram, vyjetým kolejm, vyvýšeninám, kamenům nebo jiným skrytým předmětům. Nerovný

BEZPEČNOSTNÍ UPOZORNĚNÍ K ELEKTRICKÉMU ROZRÝVAČI A PROVZDUŠŇAČI

- Hroty rozrývače jsou ostré. Buďte velmi opatrní a noste silné rukavice při výměně, čištění, upevňování či kontrole zajištění šroubu.
- Zkontrolujte, zda jsou řádně utaženy všechny vruty, matice, šrouby a další spojovací prvky a zda jsou správně umístěny ochranné kryty a clony. Vyměňte poškozené nebo nečitelné štítky.

terén může způsobit uklouznutí a pád.

- Madlo okamžitě pusťte a odstupte od rozrývače, jestliže:
 - začne rozrývač hořet
 - je ochranný kryt nebo zakrytování prasklé
 - ozve se nezvyklý zvuk
 - dojde k nehodě nebo závadě

VAROVÁNÍ

Před odnímáním a nasazováním sběrné nádoby musí být pohyb hrotů zcela zastaven.

VAROVÁNÍ

Nedotýkejte se nebezpečných pohyblivých dílů, dokud není rozrývač odpojen od napájení a dokud se nebezpečné pohyblivé díly úplně nezastaví.

ZAŘÍZENÍ NA OCHRANU PROTI PŘETÍŽENÍ

Výrobek obsahuje zařízení na ochranu před přetížením. Při zjištění přetížení se výrobek automaticky vypne. Při spuštění jističe musíte nechat motor vychladit na 5 až 10 minut.

Vypněte produkt a odpojte jej od elektrické sítě. Hroty jsou ostré; před dotýkáním se hrotů si nasadte ochranné rukavice. Ujistěte se, že se hroty otáčejí volně, nejsou zaseknuté, ani se neotáčejí ztuha.

Až motor vychladne, připojte zástrčku k napájecímu napětí a sekačku zapněte. Stiskněte tlačítko Start a pak tlačítko zapnout-vypnout (On-off) pro spuštění zařízení. Pokud se sekačka nespustí, nechte ji opravit, a to pouze v pověřeném servisním středisku.

OBECNÉ POKYNY K ROZRÝVÁNÍ

- Seřídte hloubku rozrývání podle potřeb trávníku a výšky trávy.
- Pokud trávník vykazuje problematický mech, týden před rozrýváním jej posečte a použijte přípravku na odstraňování mechu.
- Několik dní před rozrýváním trávník zalévejte tak, aby byl vlhký, ale ne příliš mokry.

TRANSPORT A SKLADOVÁNÍ

- Odstraňte z výrobku všechny cizí materiály. Ukládejte v chladných, suchých a dobře větraných prostorech, které nejsou přístupné dětem. Udržujte produkt mimo korozivní materiály, například zahradkářské chemikálie a rozmrazovací soli. Výrobek neskladujte venku.
- Při transportu výrobku zajistěte proti pohybům nebo pádu, abyste zabránili poranění osob nebo poškození výrobku.

VAROVÁNÍ

Buďte při zvedání či naklápění pro transport, údržbu, čištění a skladování velmi opatrní. Hroty jsou ostré; nepřibližujte se žádnou částí těla k odkrytým hrotům.

ÚDRŽBA

VAROVÁNÍ

Používejte pouze originální příslušenství, doplňky a náhradní díly výrobce. Zanedbání může zapříčinit možné poranění, slabý výkon a může dojít ke ztrátě záruky.

VAROVÁNÍ

Údržba vyžaduje extrémní péči a znalosti a měla by být prováděna pouze kvalifikovaným servisním technikem. Výrobek nechte opravit pouze v pověřeném servisu. Při údržbě používejte pouze původní náhradní díly výrobce.

- Při odstavení rozrývače za účelem údržby, opravy, kontroly, skladování nebo výměny příslušenství jej vypněte, odpojte od napájení a ujistěte se, že je pohyb pohyblivých dílů zcela zastaven. Před čištěním, prohlídkou, atd. nechte přístroj vychladnout. Provádějte pečlivou údržbu a čištění rozrývače.
- Často kontrolujte sběrnou nádobu, zda není opotřebovaná, nejsou v ní otvory nebo nevykazuje vady.
- Můžete provádět v návodu k obsluze uvedené opravy a seřízení. Pro jiné opravy nebo poradenství, požádejte o pomoc autorizované servisní středisko.
- Z důvodu bezpečnosti vyměňte opotřebované nebo poškozené díly. Používejte pouze originální příslušenství a náhradní díly.
- Po každém použití setřete nástroj měkkým a suchým hadříkem. Jakýkoliv poškozený díl je nutné správně opravit nebo nechat vyměnit v autorizovaném servisním středisku.
- Zkontrolujte všechny šrouby, matice v častých intervalech na řádné utažení, aby se zajistilo, že výrobek bude pracovat v bezpečných pracovních podmínkách.
- Při seřizování postupujte opatrně a předcházejte zachycení prstů mezi pohyblivými hroty a pevnými částmi rozrývače.
- Při provádění úkonů na sestavě hrotů dávejte pozor, protože se může pohybovat i při vypnutém napájení.
- Hroty rozrývače jsou ostré. Buďte velmi opatrní a noste silné rukavice při výměně, čištění, upevňování či kontrole zajištění šroubu.

ODSTRAŇOVÁNÍ BLOKOVÁNÍ

- Vypněte produkt a odpojte jej od elektrické sítě.
- Vždy používejte odolné ochranné rukavice při kontrole a odstraňování ucpaní. Hroty jsou ostré a předmět způsobující zablokování by mohl být také ostrý.
- Vyměňte sběrnou nádobu, zkontrolujte a opatrně odstraňte překážky.
- Zkontrolujte, zda nejsou ve výhozu nějaké překážky a opatrně je odstraňte.
- Obráťte rozrývače na bok, zkontrolujte jej zespodu a v okolí hrotů. Odstraňte opatrně předměty, které způsobují zablokování.

EN
FR
DE
ES
IT
NL
PT
DA
SV
FI
NO
RU
PL
CS
HU
RO
LV
LT
ET
HR
SL
SK
BG
UK
TR

ZBYTKOVÁ RIZIKA

Dokonce, i když se výrobek provozuje jak je předepsáno, je stále nemožné zcela eliminovat veškeré zbytkové rizikové faktory. Následující nebezpečí mohou nastat při používání; vyhýbejte se:

- Poranění způsobené vibracemi
 - Vždy používejte správný nástroj pro danou práci. Používejte určené rukojeti. Provozní dobu pily a vystavení vibracím omezujte.
- Zranění způsobené hlukem
 - Vystavování hluku může způsobit poškození sluchu. Noste ochranu sluchu a omezte vystavení.
- úraz při styku s hroty
- Úraz způsobený odmrštěnými předměty

SNÍŽENÍ RIZIKA

Bylo zjištěno, že vibrace z ručních pracovních nástrojů mohou u některých osob přispívat ke stavu tzv. Raynaud's Syndrome (Raynaudovu syndromu). Mezi jeho příznaky patří brnění, necitlivost a zbledení prstů, patrné obvykle po pobytu v chladu. Vědci se domnívají, že k rozvinutí těchto příznaků přispívají dědičné faktory, pobyt v chladu a vlhku, strava, kouření a pracovní návyky. Uživatel může omezit případné působení vibrací použitím vhodných opatření:

- Za chladného počasí se teple oblečte. Při práci s výrobkem si navlékněte rukavice, abyste udrželi ruce a zápěstí v teple. Bylo zjištěno, že chladné počasí je hlavním faktorem přispívajícím k Raynaud's Syndrome (Raynaudovu syndromu).
- Během práce si v pravidelných intervalech zacvičte, abyste zvýšili krevní oběh.
- Zařaďte časté pracovní přestávky. Omezte dobu práce za den.

Jakmile pocítíte některý z výše uvedených příznaků tohoto syndromu, okamžitě přerušete práci a vyhledejte lékaře.

VAROVÁNÍ

Poranění mohou být způsobena, či zhoršena, prodlouženým používáním nástroje. Když používáte jakýkoliv nástroj delší dobu, dělejte pravidelné přestávky.

POZNEJTE SVŮJ NÁSTROJ

Viz strana 132.

1. Spínač
2. Úchopy rukojeti
3. Spínače
4. Horní tyč rukojeti
5. Knoflíky
6. Šestihranný klíč
7. Hroty
8. Zadní kola
9. Přední kola
10. Prodlužovací přívod
11. Provdzdušňovací nástavec
12. Páka seřízení výšky
13. Zadní dvířka
14. Sběrný koš

15. Střední tyč rukojeti
16. Kabel
17. Háček zavěšení kabelu

SYMBOLY NA VÝROBKU



Bezpečnostní výstraha



Před spuštěním přístroje si řádně přečtěte pokyny.



Noste ochranu sluchu



Noste ochranu očí



Nevystavujte dešti nebo nepoužívejte ve vlhkých podmínkách.



Dávejte pozor na odmrštěné nebo odletující předměty. Všechny přihlížející, zvláště děti a zvířata udržujte ve vzdálenosti alespoň 15 m od pracovní oblasti.



Pozor na ostré hroty. Hroty se otáčejí i po vypnutí motoru. Před prováděním údržby nebo v případě poškozeného kabelu vypnout zařízení a odpojit zástrčku od síťového napájení.



Udržujte pružný napájecí kabel mimo oblast kypřící nože.



Šířka záběru: 35 cm



Třída II: Ochrana proti úrazu elektrickou energií je tvořena dvojitou izolací nebo zesílenou izolací.



Odpad elektrických výrobků se nesmí likvidovat v domovním odpadu. Recyklujte prosím na sběrných místech. Ptejte se u místních úřadů nebo prodejce na postup při recyklaci.



Toto nářadí je v souladu se všemi normami a předpisy platnými v zemi EU, ve které bylo zakoupeno.



Euroasijská značka shody



Nepoužívejte na sklonech vyšších jak 15°. Na strmých svazích použijte výrobek po vrstevnicích, nikdy ve směru nahoru a dolů.



Ukrajinská značka shody



Garantovaná hladina akustického výkonu zobrazená na tomto štítku je 100 dB.

SYMBOLY V NÁVODU



Díly nebo příslušenství jsou v prodeji samostatně



Poznámka



Varování

Následující signální slova a významy jsou vhodné pro vysvětlení úrovně nebezpečí spojených s tímto výrobkem.

NEBEZPEČÍ

Označuje bezprostředně rizikovou situaci, které je třeba předejít, jinak bude jejím následkem smrt nebo vážné zranění.

VAROVÁNÍ

Označuje možnou rizikovou situaci, které je třeba předejít, jinak jejím následkem může být smrt nebo vážné zranění.

VAROVÁNÍ

Označuje možnou rizikovou situaci, které je třeba předejít, jinak jejím následkem může být smrt nebo vážné zranění.

VAROVÁNÍ

Bez symbolu bezpečnostní výstrahy

Určuje situaci, která může mít za následek vážné poškození.

Az elektromos talajlazító vagy gyepszellőztető tervezése során elsődleges szempont volt a biztonság, a teljesítmény és a megbízhatóság.

RENDELTETTÉSSZERŰ HASZNÁLAT

Az elektromos talajlazítót vagy gyepszellőztetőt kizárólag kültéri használatra tervezték. A talaj lazítása vagy a gyepszellőztetése során mind a négy keréknek hozzá kell érnie a talajhoz.

A lazító villákkal felszerelt termék családi házak körüli gyepszellőztetésére szolgál.

A levegőztető csatlakozóval ellátott terméket a talajban lyukak létrehozására tervezték a talaj tömörödésének a csökkentése érdekében.

A termék olyan gyalogvezetésű, elektromos hálózatról üzemelő gyepszellőztető, amelyet kézzel kell tolni. A termék nem szabad húzni és tilos rajta utazni. Az otthoni pázsiton kívül semmi más nyírására vagy vágására nem használható.

Semmilyen más célna nem használja.

ÁLTALÁNOS BIZTONSÁGI FIGYELMEZTETÉSEK AZ ELEKTROMOS SZERSZÁMGÉPRE VONATKOZÓAN

▲ FIGYELMEZTETÉS

A termék használatakor a biztonsági szabályokat be kell tartani. A saját és mások biztonsága érdekében kérjük, olvassa el ezt az útmutatót a termék használat előtt. Tartsa meg a kézikönyvet, hátha a későbbiekben szüksége lehet rá.

SZEMÉLYI BIZTONSÁG

- A készülék képes kezek és lábak amputálására, tárgyak elhajítására. Az összes biztonsági utasítás figyelmen kívül hagyása súlyos sérülést vagy halált eredményezhet.
- Legyen tisztában a termék kezelőszerveivel és helyes használatával.
- Ne hagyja, hogy gyerekek vagy csökkent fizikai, érzékelési vagy értelmi képességgel rendelkező személyek, vagy az utasításokat nem ismerő személyek működtessék, tisztítsák vagy karbantartsák a terméket. A helyi előírások korlátozhatják a kezelő életkorát. A gyerekekre oda kell figyelni, nehogy játsszanak a termékkel.
- Az egység működtetésekor legyen mindig éber, figyeljen arra, amit csinál és használja a józan eszét. Ne használja a gépet, ha fáradt, beteg vagy alkohol, gyógyszerek illetve más tudatmódosítók hatása alatt áll. Ha a gép használata közben nem figyel oda arra, amit csinál, az súlyos személyi sérüléshez vezethet.
- Nehéz, hosszú nadrágot viseljen, hosszú ujjú felsőt és kemény, csúszásmentes lábbelit. Ne viseljen rövidnadrágot és szandált, illetve ne legyen mezítláb. Kerülje a bő ruhák viseletét, vagy amelyből kábelek vagy madzagok lógnak ki.
- Mindig viseljen oldalellenőzővel rendelkező védősisakot.
- Ne hajtson ki túlságosan. Mindig biztosan

támaszkodjon meg, főleg a lejtőkön. Stabilan álljon a fegyven fel megfelelő egyensúlyt. Gyalogoljon, ne fusson.

- A leejtőkön keresztbe használja a terméket, soha ne felfelé és lefelé haladva. A leejtőn való irányváltás közben legyen különösen óvatos.
- Ne használja a terméket mélyedések, árkok, túlzottan meredek lejtők vagy töltések közelében. A nem stabil tartás csúszási vagy esési balesetet okozhat.

MUNKATERÜLET

- Soha ne működtesse a gépet, ha emberek - különösen gyerekek - vagy állatok vannak a közelben.
- A gyepszellőztető villákhöz ütköző tárgyak súlyos személyi sérülést okozhatnak. Alaposan vizsgálja át a területet, ahol a gépet használni szeretné, és távolítsa el minden követ, fadarabot, fémadarabot, drótot, csontot, játékokat vagy más idegen tárgyat.
- Nappal vagy jó mesterséges megvilágításnál használja a terméket.
- A gépet ne működtesse robbanásveszélyes környezetben, például robbanásveszélyes folyadékok, gázok vagy porok jelenlétében. A gépben szikrák keletkezhetnek, amik begyűjthetik a port vagy a gőzöket.
- Ne használja a gépet vizes fűben vagy esőben.
- Ne használja a gépet kavicsos vagy kövezett felületen, ahol a kidobott anyag sérülést okozhat.
- A terméket csak vízszintes talajon használja úgy, hogy kezelőként a fogantyú mögött helyezkedik el, és azt két kézzel fogja.
- Ne használja a gyepszellőztetőt rossz időben, különösen amikor fennáll a villámlás kockázata.
- Jegyezze meg, hogy a kezelő vagy a felhasználó felelős a más embereknek vagy tulajdonuknak okozott veszélyekért vagy balesetekért.
- Tragikus balesetek fordulhatnak elő, ha a kezelő nem veszi észre a gyerekek jelenlétét. Ne feltételezze azt, hogy a gyerekek ugyanott maradnak, ahol utoljára látta őket.
- A nyírándó területtől a gyerekeket tartsa távol, és a kezelőn kívüli felelős felnőtt körütekintően felügyelje őket, aki álljon készenlétben és a terméket kapcsolja ki, ha egy gyerek belép erre a területre.
- Vak sarkok, bokrok, fák vagy egyéb tárgyak, pl. a látást korlátozó belógó bokrok megközelítésekor rendkívül óvatos legyen.

ELEKTROMOS BIZTONSÁG

- A dugasznak illeszkednie kell az aljzathoz. Semmilyen módon ne módosítsa a dugaszt. A földelt elektromos gépekhez ne használjon adapter dugaszt. A nem módosított és illeszkedő dugasz csökkenti az áraműtés kockázatát.
- Kerülje el a véletlen bekapcsolást. A termék elektromos hálózatba való csatlakoztatása előtt mindig ellenőrizze, hogy a kapcsoló kikapcsolt állásban van. Az elektromos hálózatba kapcsolt terméket ne szállítsa úgy, hogy az ujjja a kapcsolón van.
- Kerülje az érintkezést földelt felületekkel, mint például

csövekkel, radiátorokkal és hűtőkkel. Megnöveli az áramütés kockázatát, ha a teste földeltté válik.

- Ne tegye ki a terméket esőnek vagy nedves környezet hatásának. A készülékbe bejutó víz növeli az áramütés kockázatát.
- A készüléket egy 30 mA-nél nem nagyobb kioldóáramú áram-védőkapcsolóval (RCD) kell felszerelni.
- Használat előtt ellenőrizze a táp- és hosszabbító kábel sérülések vagy előregedés tekintetében. Ha használat közben a tápkábel megsérült, azonnal húzza ki a kábelt az elektromos hálózati aljzataból. A megrongálódott vezeték érintkezésbe kerülhetnek feszültség alatt álló alkatrészekkel. **Az elektromos hálózatról való leválasztás előtt ne érjen a kábelhez.** Ne használja a gépet, ha a tápkábel károsodott vagy elhasználódott.
- Ha a tápkábel megsérült, azt csak egy hivatalos képesítéssel rendelkező személy cserélheti ki egy új, a gyártótól beszerezhető kábelkészletre. Ha ezt az utasítást nem követi, azaz súlyos sérülést vagy halálos áramütést okozhat magának vagy másoknak.
- Ha hosszabbító kábelt kell használnia, ügyeljen arra, hogy az kültéri használatra alkalmas és a termék meghajtásához elegendes teljesítményű legyen. A hosszabbító kábelnek „H05 RN F” vagy „H05 VV F” jelöléssel kell rendelkeznie. Minden használat előtt ellenőrizze sérülések tekintetében, használat közben mindig tekerje szét, mert az összetekert kábel túlmelegedhet. Cserélje ki a megrongálódott vezetéseket egyenértékű típusúra. Ne javítsa meg a megrongálódott hosszabbító kábeleket.
- A hosszabbító mindenképpen tartsa távol a veszélyes mozgó alkatrészekről, hogy elkerülje azoknak a vezetéknek a megrongálódását, amelyek érintkezésbe kerülhetnek a feszültség alatt álló alkatrészekkel.
- Ügyeljen rá, hogy a tápkábel úgy legyen elvezetve, hogy azt ne vágják el a vágószerszámok, arra ne lépjenek rá, ne botoljanak el benne, és más módon se károsítsák vagy feszítsék meg.
- Ne fogja meg és ne szállítsa a terméket az elektromos kábelnél fogva.
- A hálózatról való leválasztásakor soha ne a tápkábelt húzza.
- Hőtől, olajtól és éles szélektől tartsa távol a tápkábelt.
- Ellenőrizze, hogy a hálózati feszültség megfelelő a termékhez. A termék működési feszültsége az adattáblán van feltüntetve. A terméket ne csatlakoztassa olyan váltóáramú feszültséghez, amely különbözik ettől a feszültségtől.
- Mindig gondoskodjon arról, hogy a fogantyúról a gipszellőztető burkolatára vezető kábel soha nem akadjon be, ne csipődjön be és egyéb módon se rongálódjon meg összeszerelés vagy a fogantyú behajtása közben. Soha ne helyezze feszültség alá a terméket, ha a kábel megrongálódott. A terméket csak engedéllyel rendelkező szervizben javíttassa.
- Egy tűske a feszültség ingadozását okozza, és az azonos áramkörbe kapcsolt más elektromos termékek működésére is hatással lehet. A terméket egy 0,452Ω (RY1400SF35A, RY1400SF35B)

vagy kisebb impedanciával rendelkező elektromos hálózati aljzatra csatlakoztassa, hogy minimalizálja a feszültségingadozásokat. További információkért forduljon az áramszolgáltatóhoz.

AZ ELEKTROMOS TALAJLAZÍTÓVAL ÉS GYEPSZELLŐZTETŐVEL KAPCSOLATOS BIZTONSÁGI FIGYELMEZTETÉSEK

- A termék villái élesek. Óvatosan járjon el, és viseljen nehéz igénybevételre tervezett kesztyűt a felszerelésükkor, cseréjükkor, tisztításukkor vagy a csavarok ellenőrzésekor.
- Ellenőrizze, hogy minden csavar, anya, zár és egyéb rögzítőelem megfelelően van-e rögzítve, és hogy a védőelemek és a védőháló a helyén van-e. A sérült vagy olvashatatlan címkéket cserélje ki.
- A termék használata előtt cserélje ki az elhasználódott vagy sérült alkatrészeket.
- A gyp szellőztetése előtt szerelje fel a hulladékgyűjtőt. Amikor a hulladékgyűjtő megtelik, ürítse ki és szerelje vissza azt a művelet folytatása előtt.
- A terméket csak úgy szabad beindítani, hogy a kezelő a fogantyú mögött, a biztonságos zónában tartózkodik. Ne indítsa be a terméket, ha:
 - nincs mind a négy kereke a talajon
 - a hulladékkidobó csúszda kint van, és nem védi a hulladékgyűjtőt és a hulladékkidobó csúszda fedele.
- Ne működtesse a terméket, ha a markolaton található be/ki kapcsoló nem megfelelően indítja és állítja le a terméket.
- Soha ne zárja le a főkapcsolót bekapcsolt helyzetben; ez rendkívül veszélyes.
- Ne erőltesse a terméket. A gép jobban teljesít és biztonságosabban dolgozik olyan sebesség használatkor, amilyenre azt tervezték.
- Kavicsos felületen való áthaladás előtt állítsa le a villákat.
- Különleges figyelemmel járjon el, amikor megfordítja vagy maga felé húzza a terméket.
- Állítsa le a villákat, ha a terméket szállítás során meg kell dönteni nem füves talajon való áthaladás során, és amikor a terméket munkaterületre szállítja, illetve onnan elviszi.
- Soha ne használja a terméket hibás védőelemekkel vagy -lemezekkel, illetve úgy, hogy a biztonsági berendezések, például a terelők és/vagy hulladékgyűjtők nincsenek a helyükön.
- Ne döntse meg a terméket a motor bekapcsolása közben, kivéve, ha a gépet indításkor meg kell dönteni. Egyéb lehetőség híján csak a kezelőtől távol elhelyezkedő részeket döntse meg. Mindig győződjön meg róla, hogy mindkét keze a kezelési helyzetben van, mielőtt a gépet visszahelyezné a talajra.
- A terméket óvatosan és az előírások szerint kapcsolja be, és tartsa távol a kezét és a lábát a villáktól. Ne helyezze kezét vagy lábát a forgó részek alá vagy közelébe. A kiürítő nyílás legyen mindig akadálymentes.
- Ne emelje fel és ne szállítsa a terméket működő motorral.

EN
FR
DE
ES
IT
NL
PT
DA
SV
FI
NO
RU
PL
CS
HU
RO
LV
LT
ET
HR
SL
SK
BG
UK
TR

- A táp- és hosszabbító kábelt tartsa távol a villáktól.
- Kapcsolja ki a terméket, és húzza ki a csatlakozót a hálózathoz. Ellenőrizze, hogy minden mozgó rész teljesen megállt:
 - amikor felügyelet nélkül hagyja a gépet (beleértve a levágtott fű kidobását is).
 - egy eltömődés vagy az eldugult ürítőcsúszda tisztítása előtt
 - ellenőrzés, karbantartás vagy a gépen végzett bármilyen művelet megkezdése előtt;
 - idegen tárgyak eltalálása után; a gép újraindítása és működtetése előtt vizsgálja meg a gépet sérülések tekintetében, és szükség esetén végezze el a javításokat;
- Ha a termék erőteljesen rázkódni kezd, haladéktalanul:
 - vizsgálja át a gépet sérülések tekintetében
 - cserélje ki vagy javítsa meg a sérült alkatrészeket
 - ellenőrizze és húzza meg a meglazult alkatrészeket
- Kerülje a lyukakat, keréknyomokat, köveket és más rejtett tárgyakat. Az egyenetlen talaj csúszási vagy esési balesetet okozhat.
- Azonnal engedje el a fogantyút, és távolodjon el a terméktől, ha:
 - a termék meggyulad
 - eltörik a védőelem és/vagy a burkolat
 - rendellenes hang hallatszik
 - bármilyen baleset vagy meghibásodás bekövetkezte esetén

⚠ FIGYELMEZTETÉS

A hulladékgyűjtő le- és felszerelése előtt győződjön meg arról, hogy a villák teljesen leáltak.

⚠ FIGYELMEZTETÉS

Veszélyes mozgó alkatrészekhez ne nyúljon, amíg a terméket le nem választotta a tápellátásról, és a mozgó veszélyes alkatrészek teljesen meg nem álltak.

TÜLTERHELÉSVÉDŐ ESZKÖZ

A termék túlterhelésvédelemmel rendelkezik. Túlterhelés észlelésekor a termék automatikusan kikapcsol. Ha a túlterhelésvédő működésbe lépett, a motort 5–10 percen keresztül hagyja lehűlni.

Kapcsolja ki a terméket, és húzza ki a csatlakozót a hálózathoz. A villák élesek, ezért vegyen fel erős munkakesztyűt, mielőtt hozzájuk érne. Győződjön meg arról, hogy a villák szabadon foroghatnak, nem akadnak és nem szorulnak.

Mikor a motor lehűlt, dugja be a zsinórt a konnektorba és kapcsolja be a terméket. A gép beindításához nyomja meg a Start gombot, majd a be/ki kapcsológombot. Ha a termék nem indul el, csak engedéllyel rendelkező szervizben javíttassa.

ÁLTALÁNOS TIPPETEK A GYEP SZELLŐZTETÉSÉVEL KAPCSOLATBAN

- A vágási mélységet a gyep szükségleteinek és a fű hosszának megfelelően állítsa be.
- Ha a gyep bemoহásodik, a gyepszellőztetéshez tervezett időpont előtt egy héttel vágja le a fűvet, és szórja be mohaitóval.
- Szellőztetés előtt egy pár nappal öntözze meg a gyepet, hogy az nyirkos, de ne túlságosan nedves legyen.

SZÁLLÍTÁS ÉS TÁROLÁS

- Minden idegen anyagtól tisztítsa meg a terméket. Hűvös, száraz és jól szellőztetett, gyerekektől elzárt helyiségben tárolja. A terméket tartsa távol a korrodáló szerektől, például kerti vegyszerektől vagy a jégmentesítő sótól. Ne tárolja a terméket kültéren.
- Szállításkor rögzítse a terméket elmozdulás és leesés ellen, hogy elkerülje a sérüléseket és a termék sérülését.

⚠ FIGYELMEZTETÉS

Különösen figyeljen oda, amikor karbantartáshoz, tisztításhoz, tároláshoz vagy szállításhoz felemeli vagy megdönti a gépet. A villák élesek, tartsa távol minden testrészét azoktól, amíg ki vannak téve a közelségüknek.

KARBANTARTÁS

⚠ FIGYELMEZTETÉS

Csak a gyártó eredeti cserealkatrészeit, tartozékait és szerelékeit használja. Ennek figyelmen kívül hagyása gyenge motorteljesítményt, esetleges sérülést és a jótállás elvesztését okozhatja.

⚠ FIGYELMEZTETÉS

szervizelés különös figyelmet és hozzáértést igényel, és csak szakképzett szerelő végezheti el. A terméket csak engedéllyel rendelkező szervizben javíttassa. Szervizeléskor csak eredeti, gyártó által előállított cserealkatrészeket használjon.

- Amikor a terméket szervizelés, átvizsgálás, tárolás vagy tartozékcseré miatt leállítja, kapcsolja ki a tápellátást, válassza le a terméket az elektromos hálózatról, és győződjön meg róla, hogy az összes mozgó alkatrész teljesen leáll. Bármilyen átvizsgálás, beállítás stb. elvégzése előtt hagyja teljesen lehűlni a gépet. Gondosan tartsa karban a terméket, és mindig tisztítsa le azt.
- Gyakran ellenőrizze a hulladékgyűjtőt, hogy nem kopott, nincsenek-e rajta lyukak vagy egyéb sérülések.
- A használati útmutatóban leírt beállításokat és javításokat Ön is elvégezheti. További javításokért vagy tanácsért kérjen segítséget egy hivatalos szervizközpontban.



- A biztonságos üzem érdekében cserélje ki az elhasználódott vagy sérült alkatrészeket. Csak eredeti cserealkatrészeket és tartozékokat használjon.
- Minden egyes használat után egy puha, száraz ruhával tisztítsa meg a terméket. A sérült alkatrészeket egy hivatalos szervizközpontban kell megjavíttatni vagy kicseréltetni.
- Gyakori időközönként ellenőrizze a csavaranyák, csavarok és fejescsavarok megfelelő meghúzását, hogy a termék biztonságos üzemi állapotban legyen.
- A terméket óvatosan állítsa be, hogy az ujjai ne szoruljanak be a termék mozgó villái és álló alkatrészei közé.
- A villaegység szervizelésénél ügyeljen arra, hogy kikapcsolt áramforrás mellett a villaegység mozgatható maradjon.
- A termék villái élesek. Óvatosan járjon el, és viseljen nehéz igénybevételre tervezett kesztyűt a felszerelésűkkor, cseréjükör, tisztításukkor vagy a csavarok ellenőrzésekor.

DUGULÁSOK ELHÁRÍTÁSA

- Kapcsolja ki a terméket, és húzza ki a csatlakozót a hálózathoz.
- Egy eltömődés ellenőrzésekor és megszüntetésekor mindig viseljen nehéz igénybevételre tervezett védőkesztyűt. A villák élesek, és maga az akadály is éles lehet.
- Szerelje ki a hulladékgyűjtőt, keresse meg és óvatosan szedje ki az akadályokat.
- Ellenőrizze a fűtőrítő csúszda dugulását és óvatosan tisztítsa ki.
- Fordítsa a terméket az oldalára, ellenőrizze az alját, valamint a villák körüli területet. Ha elakadást észlel, óvatosan távolítsa el.

FENNMARADÓ KOCKÁZAT

Még a termék rendeltetésszerű használata esetén sem lehet teljesen kiküszöbölni minden kockázati tényezőt. A gép használata során a következő veszélyek merülhetnek fel, és a kezelőnek különösen oda kell figyelnie az alábbiak elkerülésére:

- A vibráció sérüléseket okozhat
 - A munkához mindig a megfelelő szerszámot használja. Használja a kijelölt fogantyúkat. Korlátozza a munkaidőt és az expozíciót.
- Zaj okozta sérülések
 - A zajnak való kitettség halláskárosodást okozhat. Viseljen hallásvédőt és korlátozza a zajnak való kitettséget.
- sérülés a fogakkal való érintkezés miatt
- A kirepülő tárgyak sérüléseket okozhatnak

KOCKÁZATCSÖKKENTÉS

Arról számoltak be, hogy a kéziszerszámok használata során fellépő vibráció bizonyos személyeknél hozzájárulhat az úgynevezett Raynaud-szindróma (Raynaud's Syndrome) nevű állapot kialakulásához.

A tünetei lehetnek: az ujjak zsibbadása, elfehéredése, szúrások érzése, amelyek hidegnek kitéve gyakran felerősödnek. Az örökklődő tényezők, a hidegnek kitettség és verejtékezés, a diéta, a dohányzás és munka közben alkalmazott fogások valószínűleg mind hozzájárulhatnak ezen tünetek megjelenéséhez. A vibráció hatásainak csökkentése érdekében a kezelőnek be kell tartani az alábbi óvintézkedéseket:

- Hideg időben tartsa melegen a testét. A termék használatakor viseljen kesztyűt a kéz és a csukló melegen tartásához. Arról számoltak be, hogy a hideg időjárásnak fontos szerepe van a Raynaud-szindróma kialakulásában.
- Bizonyos időtartamú használat után mindig végezzen gyakorlatokat a vérkeringés javításához.
- Gyakran tartson munkaszünetet. Korlátozza a napi munkaidőt.

Ha ezen állapot bármelyik tünetét tapasztalja, azonnal hagyja abba a munkát, és tájékoztassa az orvosát a tünetekről.

▲ FIGYELMEZTETÉS

Hosszabb használat sérülést okozhat. Ha a gépet hosszú időn át kell használnia, tartson gyakran szünetet.

ISMERJE MEG A TERMÉKET

Lásd 132. oldalt.

1. Kapcsológomb
2. Fogantyúk markolatai
3. Karok
4. Felső fogantyú
5. Gombok
6. Imbuszkulcsok
7. Boronafogak
8. Hátsó kerek
9. Elülső kerek
10. Hosszabbító vezeték
11. Levegőtető tartozék
12. Magasságállító kar
13. Hátsó ajtó
14. Szennyeződésgyűjtő
15. Kézi fogantyú középső része
16. Vezeték
17. Kábelakasztó

SZIMBÓLUMOK A TERMÉKEN



Biztonsági figyelmeztetés



A gép bekapcsolása előtt figyelmesen olvassa el az útmutatót.



Viseljen fülvédőt



Viseljen védőszemüveget





Ne tegye ki esőnek, és ne használja nedves környezetben.



Figyeljen a kivetett vagy repülő tárgyakra. Az összes nézelődő, különösen a gyerekek és a háziállatok, legyenek legalább 15 m-es távolságra a használati területtől.



Ügyeljen az éles fogazatra! A fogak a motor kikapcsolása után még forognak. Húzza ki a hálózati dugót karbantartás előtt, vagy ha a kábel megrongálódott.



A rugalmas csatlakozókábelt tartsa távol a vágókapaktól.



Munkaszélesség: 35 cm



II. osztály: Az áramütés elleni védelmet kettős szigetelés vagy megerősített szigetelés biztosítja.



A kiselejtezett elektromos termékeket nem szabad a háztartási hulladékkal együtt kidobni. Ezeket újra kell hasznosítani, ha van rá lehetőség. Az újrahasznosítással kapcsolatban érdeklődjön a helyi önkormányzatnál vagy a termék forgalmazójánál.



Ez a szerszám minden, a vásárlás európai uniós országában hatályos szabványnak megfelel.



Eurázsiai megfelelőségi jelzés



Ne használja 15'-nál meredekebb lejtőn. A leejtőkön keresztbe használja a terméket, soha ne felfelé és lefelé haladva.



Ukrainai megfelelőségi nyilatkozat



A címkén látható garantált hangteljesítményszint 100 dB.

A KÉZIKÖNYVBEN HASZNÁLT SZIMBÓLUMOK



Külön értékesített alkatrészek és kiegészítők



Megjegyzés



Figyelem

A következő jelölőszavak és jelentések arra szolgálnak, hogy megmagyarázzák a termékkel kapcsolatos veszélyességi szinteket.

⚠ VESZÉLY

Egy bekövetkező veszélyes helyzetet jelez, ami, ha nem előzik meg, halált vagy komoly sérülést eredményez.

⚠ FIGYELMEZTETÉS

Egy potenciálisan bekövetkező veszélyes helyzetet jelez, amit, ha nem előznek meg, halált vagy komoly sérülést eredményezhet.

⚠ FIGYELEMFELHÍVÁS

Egy potenciálisan veszélyes helyzetet jelez, ami, ha nem előzik meg, kisebb vagy mérsékelt sérülést eredményezhet.

FIGYELEMFELHÍVÁS

Biztonsági figyelmeztető szimbólum nélkül Egy olyan helyzetet jelez, ami anyagi kárt eredményezhet.

Siguranța, performanța și fiabilitatea au constituit principalele noastre preocupări la proiectarea sapei dvs. de adâncime mică sau aeratorului electric.

UTILIZARE PREVĂZUTĂ

Aeratorul sau sapa electrică de adâncime mică este destinată exclusiv pentru utilizare în exterior. Toate cele patru roți trebuie să atingă solul în timpul operației de săpare sau afânare.

Produsul la care sunt montați dinți pentru afânare este destinat pentru afânarea gazonului domestic.

Produsul la care este montat accesoriul pentru afânare este conceput pentru a crea adâncituri în sol pentru a reduce compactarea solului.

Produsul este o grăpă pentru gazon concepută pentru a fi manevrată în mod pedestru, cu conectare la o priză de perete și împinsă cu mâna. Produsul nu trebuie tras și nici nu trebuie să se urce cineva pe el. Aceasta nu trebuie să fie folosită pentru a tunde nimic altceva decât peluzele cu gazon.

Nu folosiți în alte scopuri.

AVERTISMENTE GENERAL DE SIGURANȚĂ PRIVIND UNEALTA ELECTRICĂ

⚠ AVERTISMENT

Atunci când utilizează produsul, normele de siguranță trebuie să fie respectate. Pentru siguranța dumneavoastră și a trecătorilor, vă rugăm să citiți aceste instrucțiuni înainte de utilizarea produsului. Vă rugăm să păstrați instrucțiunile într-un loc sigur pentru utilizare ulterioară.

SIGURANȚĂ PERSONALĂ

- Acest produs este capabil să amputeze mâini și picioare și să azvârle obiecte. Neobservarea tuturor instrucțiunilor de siguranță poate cauza vătămare gravă sau deces.
- Familiarizați-vă cu comenzile și folosirea corectă a produsului.
- Nu permiteți niciodată copiilor sau persoanelor cu capacități fizice, senzoriale sau mintale reduse, sau cele nefamiliare cu aceste instrucțiuni, să opereze, curețe sau să efectueze întreținerea produsului. Reglementările locale pot restricționa vârsta operatorului. Copiii trebuie să fie supravegheați adecvat pentru a vă asigura că nu se joacă cu produsul.
- Fiți vigilenți, fiți atenți la ceea ce faceți, acționați cu simț practic când operați unitatea. Nu utilizați unealta când sunteți obosit, bolnav sau sub influența alcoolului, a drogurilor sau a medicamentelor. Un moment de neatenție în timpul operării mașinii poate cauza vătămare personală gravă.
- Purtați pantaloni lungi și rezistenți, bluză cu mânecă lungă și încălțăminte antiderapantă. Nu purtați pantaloni scurți și sandale și nu mergeți cu picioarele goale. Evitați să purtați de îmbrăcăminte largă sau care are cordoane sau șireturi libere.

- Purtați mereu ochelari de protecție cu apărători laterale.
- Nu vă aplecați excesiv. Fiți atent întotdeauna unde pașii mai ales pe pante înclinate. Mențineți sprijin ferm pe picioare și echilibru. Mergeți. Nu alergați niciodată.
- Folosiți produsul de-a latul pantelor, niciodată în jos și în susul ei. Acordați atenție maximă atunci când schimbați direcția pe pantă.
- Nu folosiți produsul lângă pante abrupte, șanțuri, zone extrem de înclinate sau diguri. Echilibrul fragil pe picioare poate cauza alunecarea sau căderea.

MEDIUL DE LUCRU

- Nu utilizați niciodată mașina în timp ce în apropiere se află persoane, în special copii sau animale de companie.
- Obiectele lovite de dinții grapei pot cauza rănirea gravă a persoanelor. Inspectați foarte bine zona în care va fi utilizată mașina și îndepărtați toate pietrele, crengile, metalul, sârma, oasele, jucăriile sau alte obiecte străine.
- Folosiți produsul doar pe lumina zilei sau pe lumină artificială puternică.
- Nu operați mașina în atmosfere explozive, precum în prezența lichidelor, gazelor sau a prafului inflamabil. Unealta poate crea scântei care pot aprinde praful sau vaporii.
- Nu operați mașina în iarba udă sau în ploaie.
- Nu folosiți mașina pe o suprafață pavată sau acoperită cu pietriș, unde materialul evacuat ar putea cauza vătămarea corporală.
- Lucrați cu produsul numai pe suprafață plană, utilizând ambele mâini, operatorul stând în spatele mânerului bară.
- Evitați să utilizați grapa în condiții meteorologice urâte, mai ales dacă există riscul de fulgerare.
- Rețineți că operatorul sau utilizatorul este responsabil pentru accidente sau pericolele ce pot avea loc asupra altor persoane sau proprietății lor.
- Se pot întâmpla accidente tragice dacă operatorul nu este atent la prezența copiilor. Nu presupuneți niciodată că copiii vor rămâne acolo unde i-ați văzut ultima oară.
- Nu permiteți copiilor să intre în zona în care se tunde iarba; lăsați-i în grija unui adult responsabil, altul decât operatorul; fiți în permanență atenți și opriți produsul dacă un copil pătrunde în zonă.
- Procedați cu grijă atunci când lucrați în colțuri fără vizibilitate, printre tufișuri, arbori sau alte obiecte, inclusiv tufișuri tunse în consolă care v-ar putea bloca vederea.

SIGURANȚĂ ELECTRICĂ

- Ștecherile trebuie să se potrivească cu prizele. Nu modificați niciodată ștețul în nici un fel. Nu folosiți niciodată adaptoare de ștețul cu uneltele electrice cu împământare. Ștecherile nemodificate și prizele potrivite reduc riscul de electrocutare.
- Evitați pornirile involuntare. Verificați întotdeauna că întrerupătorul este în poziția Oprit înainte de conectarea produsului la priza electrică. Nu transportați un produs

EN
FR
DE
ES
IT
NL
PT
DA
SV
FI
NO
RU
PL
CS
HU
RO
LV
LT
ET
HR
SL
SK
BG
UK
TR

- alimentat la priză având degetul pe butonul de pornire.
- Evitați contactul corpului cu suprafețele conectate la împământare, precum țevi, radiatoare, reșouri, mașini de gătit și frigider. Există un risc crescut de electrocutare când corpul dumneavoastră are contact cu împământarea.
- Nu expuneți produsul la ploaie sau condiții de umiditate. Pătrunderea apei în aparat va crește riscul electrocutării.
- Energia electrică trebuie să fie furnizată printr-un dispozitiv pentru curent rezidual (RCD) cu un curent de declanșare de nu mai mult de 30 mA.
- Înainte de utilizare, verificați cablurile de alimentare și de prelungire pentru semne de deteriorare sau de uzură. În cazul în care cablul este deteriorat în timpul utilizării, deconectați cablul de la priză imediat. Cablurile deteriorate pot veni în contact cu piesele sub tensiune. **Nu atingeți cablul de alimentare înainte de a-l deconecta de la sursa de alimentare.** Nu utilizați mașina în cazul în care cablul este deteriorat sau uzat.
- Dacă observați deteriorarea cablului de alimentare, acesta trebuie înlocuit de către un tehnician calificat să execute această operație, cu un cablu furnizat de către producătorul echipamentului. Nerespectarea aceste instrucțiuni poate determina accidente grave, inclusiv electrocutarea dvs. sau a altor persoane.
- Dacă trebuie să folosiți un cablu prelungitor, asigurați-vă că este potrivit pentru uzul exterior și are o capacitate suficientă de curent pentru a alimenta produsul Dvs. Cablul prelungitor trebuie să fie marcat fie "H05 RN F", fie "H05 VV F". Verificați după fiecare folosire dacă este deteriorată, întotdeauna desfășurați cablul în timpul folosirii întrucât cablul înfășurat se poate supraîncălzi. Înlocuiți cablurile de prelungire deteriorate cu unele de același tip. Nu reparați cablurile de prelungire deteriorate.
- Asigurați-vă că sunt ținute la distanță cablurile prelungitoare față de piesele în mișcare, care pot reprezenta un pericol, pentru a se evita deteriorarea cablurilor, lucru care ar putea avea ca rezultat un eventual contact cu piesele sub tensiune.
- Asigurați-vă că poziționarea cablului de alimentare este în așa fel încât nu poate fi deteriorat prin mijloace de tăiere și că nu se va călca peste el, nu vă împiedicați de el sau să nu-l supuneți stresului.
- Nu ridicați sau transportați produsul de cablul electric.
- Nu trageți niciodată de cablul de alimentare pentru a deconecta de la sursa de alimentare.
- Păstrați cablul departe de căldură, ulei sau margini ascuțite.
- Asigurați-vă că tensiunea este corectă pentru produsul Dvs. O etichetă de pe produs indică tensiunea produsului. Nu conectați produsul la o tensiune de curent alternativ care diferă de această tensiune.
- Asigurați-vă întotdeauna că firul de la mâner la corpul grapei nu este niciodată prins, ciobit sau deteriorat în vreun alt fel, în timpul asamblării sau plierii mânerului. Nu puneți niciodată produsul sub tensiune dacă este deteriorat cablul. Duceți produsul la reparații numai într-un centru service autorizat.

- O supratensiune cauzează fluctuații de tensiune și poate afecta alte produse electrice pe aceeași linie de alimentare cu curent. Conectați produsul la sursa de curent cu o impedanță egală cu sau mai mică de 0,452Ω (RY1400SF35A, RY1400SF35B) pentru a minimaliza fluctuațiile de tensiune. Contactați furnizorul dvs. de electricitate pentru clarificări ulterioare.

AVERTISMENTE DE SIGURANȚA SAPEI DE ADÂNCIME MICĂ SAU AERATORULUI ELECTRIC

- Dinții grapei sunt ascuțiți. Folosiți atenție și purtați mănuși rezistente când montați, înlocuiți, curățați sau verificați șurubul de siguranță.
- Verificați ca toate șuruburile, piulițele, bolțurile și alte elemente de prindere sunt bine fixate și că protecțiile și apărătorile sunt așezate corespunzător la locul lor. Înlocuiți etichetele deteriorate sau ilizibile.
- Înlocuiți părțile uzate sau deteriorate înainte de operarea produsului.
- Înainte de a începe grăparea, montați colectorul de gunoi. Goliți colectorul de gunoi când s-a umplut și montați-l din nou înainte de a reîncepe lucrul.
- Produsul trebuie pornit cu utilizatorul în spatele ghidonului în zona de siguranță a operatorului. Nu porniți niciodată produsul dacă:
 - toate cele patru roți nu se află pe sol
 - sacul de colectare a gunoaii este expus, nefiind protejat de cutie și de capac.
- Nu operați niciodată produsul dacă întrerupătorul pornit/oprit de pe mânerul de ghidare nu pornește și oprește corespunzător produsul.
- Nu încercați niciodată să blocați comutatorul de pornire/oprire (on/off), acest lucru poate fi foarte periculos.
- Nu forțați produsul. Aceasta va funcționa mai bine și mai sigur la viteza pentru care a fost proiectată.
- Opriiți funcționarea dinților când traversați suprafețe cu pietriș.
- Exercitați maximă atenție atunci când dați înapoi sau trageți produsul înspre Dvs.
- Opriiți funcționarea dinților dacă grapa trebuie să fie înclinată pentru transport, când traversați suprafețe cu altceva în afară de iarbă și când transportați grapa către și de la zona de lucru.
- Nu utilizați niciodată produsul cu protecțiile și apărătorile deteriorate, sau fără dispozitivele de siguranță, de exemplu fără deflectoare și/sau colectoarele de gunoi montate la locul lor.
- Nu înclinați grapa când porniți motorul, cu excepția cazului când mașina trebuie să fie înclinată pentru a porni. Dacă este absolut necesar, puteți ridica numai acea parte care este la depărtare față de operator. Asigurați-vă întotdeauna că ambele mâini sunt în poziție de lucru înainte de a repune mașina pe sol.
- Porniți motorul cu grijă, conform instrucțiunilor și țineți mâinile și picioarele departe de dinții grapei. Nu puneți mâinile sau picioarele în apropierea sau sub piesele în rotație. Mențineți libere deschizăturile de golore tot timpul.
- Nu ridicați și nu purtați produsul când motorul

funcționează.

- Țineți cablul de alimentare și prelungitorul departe de dinții grabei.
- Oprii produsul și deconectați-l de priză. Asigurați-vă că toate piesele mobile s-au oprit complet:
 - oricând lăsați produsul nesupravegheat (incluzând îndepărtarea bucăților de iarbă tăiate).
 - înainte de îndepărtarea unui blocaj sau înainte de golirea sacului
 - după ce ați lovit un obiect străin; inspectați aparatul dacă e deteriorat și faceți reparații necesare înainte de a reporni și opera mașina.
- Dacă produsul începe să vibreze anormal, verificați imediat ca:
 - inspectați dacă există daune
 - înlocuiți sau reparați toate piesele deteriorate
 - verificați dacă există și strângeți orice piese desprinse
- Evitați găurile, fâgașele, pietrele sau alte obiecte ascunse. Nerenul nenivelat poate cauza alunecare sau cădere.
- Dați drumul imediat la mână și îndepărtați-vă de grapă dacă:
 - grapa a luat foc
 - protecția și/sau carcasa sunt rupte
 - se aud zgomote nefirești
 - orice accident sau avarie care are loc

⚠ AVERTISMENT

Asigurați-vă că dinții grabei s-au oprit complet înainte de a scoate sau de a monta colectorul de gunoi.

⚠ AVERTISMENT

Nu atingeți componentele în mișcare, înainte de oprirea completă a grabei și de deconectarea de la sursa de alimentare și înainte ca piesele în mișcare să se oprească de tot.

DISPOZITIV DE PROTECȚIE LA SUPRASARCINĂ

Produsul este echipat cu un dispozitiv de protecție împotriva supratensiunii. Aparatul se oprește când este detectată o sarcină excesivă. Dacă dispozitivul de protecție la suprasarcină este declanșat, motorul trebuie lăsat să se răcească timp de 5 - 10 minute.

Oprii produsul și deconectați-l de la priză. Dinții grabei sunt ascuțiți. Utilizați mănuși de protecție groase atunci când le manevezați. Asigurați-vă că dinții grabei se pot roti liber și că nu sunt blocați sau încărcăți de resturi vegetale.

Când motorul s-a răcit, conectați ștecherul la sursa de energie și porniți produsul. Apăsăți butonul Start apoi butonul pornire-oprire pentru a pune produsul în funcțiune. Dacă tot nu pornește, duceți produsul la reparații numai într-un centru service autorizat.

SFATURI GENERALE CU PRIVIRE LA OPERAȚIA DE GRĂPARE

- Ajustați adâncimea de grăpare conform nevoilor gazonului dvs. și cu lungimea ierbei.
- Tundeți-vă gazonul și dați cu ierbicid pentru mușchi înainte cu o săptămână de data planificată pentru grăpare, dacă aveți probleme cu mușchii.
- Undați gazonul de câteva ori pe zi înainte de grăpare pentru a vă asigura că aveți gazonul umed dar nu suprasaturat cu apă.

TRANSPORTAREA ȘI DEPOZITAREA

- Curățați toate materialele străine din produs. Depozitați-l într-un loc răcoros, uscat și bine aerisit ce este inaccesibil copiilor. Păstrați produsul la distanță de agenți corozivi, precum substanțe chimice de grădină și săruri de dezghețare. Nu depozitați produsul în aer liber.
- Pentru transportare, fixați produsul împotriva mișcării sau căderii pentru a preveni vătămarea persoanelor sau deteriorarea produsului.

⚠ AVERTISMENT

Folosiiți maximă atenție când ridicați sau înclinați mașina pentru efectuarea întreținerii, curățare, depozitare sau transportare. Dinții grabei sunt ascuțiți, ferii-vă părțile corpului cât timp dinții sunt expuși.

ÎNȚREȚINERE

⚠ AVERTISMENT

Folositi doar piese de schimb, accesorii si atasamente originale ale producatorului Neurmarea acestora poate cauza posibila vătămarea, slaba funcționare și ar putea anula garanția.

⚠ AVERTISMENT

Service-ul necesită atenție și cunoștințe deosebite și trebuie îndeplinit doar de către un tehnician service calificat. Duceți produsul la reparații numai într-un centru service autorizat. La efectuarea serviciului, folosiți doar piese de schimb originale ale producătorului.

- Când grapa este oprită pentru operații de service, inspectare sau depozitare, sau pentru schimbare de accesorii, scoteți-o de sub tensiune, deconectați-o de la sursa de curent și asigurați-vă că toate piesele în mișcare s-au oprit complet. Lăsați mașina să se răcească înainte de a face orice inspecție, reglaje etc. Țineți produsul în stare de curățenie și dați atenție operațiilor de întreținere.
- Verificați în mod frecvent colectorul de gunoi pentru a nu avea uzură, găuri sau stare de deteriorare.
- Puteți face reglaje și reparații descrise în acest manual de instrucțiuni. Pentru alte reparații sau sfaturi, căutați

asistență din partea unui centru service autorizat.

- Înlocuiți piesele uzate sau deteriorate pentru siguranță. Utilizați doar piese de schimb și accesorii originale.
- După fiecare folosire curățați produsul cu o cârpă moale și uscată. Orice piesă deteriorată trebuie să fie reparată în mod corespunzător sau înlocuită de un service autorizat.
- Verificați toate piulițele, suruburile la intervale frecvente de timp ca să fie corespunzător strânse pentru a vă asigura că produsul este în stare de lucru în siguranță.
- Fiți atenți în timpul ajustării produsului pentru a preveni prinderea degetelor între dinții grapei aflați în mișcare și piesele fixe ale sale.
- Când se execută operații de service la ansamblul de dinți, fiți atenți că dinții încă se pot afla în mișcare chiar dacă sursa de energie a fost deconectată.
- Dinții grapei sunt ascuțiți. Folosiți atenție și purtați mănuși rezistente când montați, înlocuiți, curățați sau verificați șurubul de siguranță.

ELIMINAREA BLOCAJELOR

- Opriti produsul și deconectați-l de la priză.
- Purtați întotdeauna mănuși de protecție rezistente atunci când verificați și eliberați un blocaj. Dinții sunt ascuțiți și obstrucția poate fi cauzată de un obiect ascuțit.
- Demontați colectorul de gunoi, verificați și curățați cu atenție obstrucțiile.
- Verificați jgheabul de evacuare a ierbii în privința obstrucțiilor și curățați cu atenție.
- Întoarceți produsul pe una din laturile sale, verificați partea de dedesubt și zona din jurul dinților. Dacă observați anumite obstrucții, îndepărtați-le cu atenție.

RISCURI REZIDUALE

Chiar dacă produsul este folosit așa cum a fost prescris, este totuși imposibil să se elimine complet anumii factori de risc reziduali. Următoarele pericole pot apărea în timpul folosirii și operatorul trebuie să acorde o atenție specială pentru a evita următoarele:

- Vătămare cauzată de vibrație
 - Folosiți întotdeauna scula potrivită pentru lucrare. A se utiliza mânerul destinat pentru aceasta. Reduceți timpul de lucru și de expunere.
- Vătămare cauzată de zgomot.
 - Expunerea la zgomot poate cauza vătămarea auzului. Purtați protecție pentru auz și limitați expunerea.
- vătămări survenite în urma contactului cu cuțitele
- Leziuni cauzate de obiecte proiectate

REDUCEREA RISCULUI

S-a raportat faptul că vibrațiile produse de unelele manuale pot contribui, la anumite persoane, la o afecțiune denumită Sindromul Raynaud. Simptomele pot include furnicăături, amorțeală și albirea degetelor, care apare, de obicei, după expunerea la frig. Factori ereditari, expunerea la frig și umiditate, dieta, fumatul și practicile de muncă contribuie la

dezvoltarea acestor simptome. Există măsurător care pot fi efectuate de către operator pentru a reduce efectele de vibrațiilor:

- Păstrați-vă temperatura corporală ridicată pe vreme rece. Când operați produsul purtați mănuși pentru a menține calde mâinile și încheieturile. S-a constatat că vremea rece este un factor major care contribuie la sindromul Raynaud.
- După fiecare perioadă de operare, trebuie făcute exerciții pentru a crește circulația sângelui.
- Trebuie făcute pauze la intervale de timp regulate. Limitați expunerea zilnică.

Dacă sunt experimentate oricare dintre simptomele acestei afecțiuni, trebuie întreruptă utilizarea și consultat un medic.

⚠ AVERTISMENT

Pot fi cauzate sau agravate vătămările de la folosirea prelungită a aparatului. Atunci când folosiți o sculă pentru perioade prelungite, asigurați-vă că luați pauze regulate.

CUNOAȘTEȚI-VĂ PRODUSUL

Vezi pagina 132.

1. Comutator
2. Mânere
3. Butoane de pornire
4. Mâner-bară superior
5. Butoane rotunde
6. Cheie hexagonală
7. Dinți de grăpă
8. Roți spate
9. Roți față
10. Prelungitor
11. Accesoriu pentru afânare
12. Manetă de reglare a înălțimii
13. Ușă din spate
14. Colector de deșeuri
15. Bară-mâner de la mijloc
16. Cablaj
17. Cârlig cablu

SIMBOLURILE DE PE PRODUS.



Avertizare de siguranță



Vă rugăm citiți instrucțiunile cu atenție înainte de pornirea aparatului.



Purtați protecție pentru urechi



Purtați întotdeauna ochelari de protecție



Nu expuneți la ploaie sau umezeală.



Feriți-vă de obiecte proiectate sau în zbor. Țineți toți trecătorii, în special copiii și animalele de companie la cel puțin 15 metri de zona de operare.



Atenție la dinții ascuțiți!
Dinții continuă să se rotească după oprirea motorului.
Scoateți din priză înainte de a efectua operațiuni de întreținere sau dacă cablul este deteriorat.



Țineți cablul de alimentare flexibil ferit de cuțite.



Lățime de lucru: 35 cm



Clasa II: Protecția împotriva electroșocurilor se bazează pe dubla izolare sau pe izolarea consolidată.



Deșeurile produselor electrice nu trebuie să fie înălțurate împreună cu deșeurile casnice. Vă rugăm reciclați acolo unde există facilități. Verificați la autoritatea dvs locală sau la vânzător pentru sfaturi privind reciclarea.



Acest aparat este conform cu ansamblul normelor reglementare din țara din UE în care a fost cumpărat.



Marcaj de conformitate EurAsian



Nu folosiți pe pante mai mari de 15°. Folosiți produsul de-a latul pantelor, niciodată în jos și în susul ei.



Semn de conformitate ucrainean



Nivelul de putere acustică indicat pe eticheta acestui echipament este de 100 dB.



Avertisment

Următoarele cuvinte simbol și înțelesul lor au intenția de a explica nivelele de risc asociate cu acest produs.

PERICOL

Indică o situație periculoasă iminentă, care dacă nu este evitată va cauza decesul sau vătămarea gravă.

AVERTISMENT

Indică o situație periculoasă iminentă, care dacă nu este evitată poate rezulta în deces sau vătămare gravă.

ATENȚIE

Indică o situație potențial periculoasă, care dacă nu este evitată poate cauza vătămarea moderată sau ușoară.

ATENȚIE

Fără a simbolul de alertă privind siguranța
Indică o situație care poate duce la pagube materiale.

- EN
- FR
- DE
- ES
- IT
- NL
- PT
- DA
- SV
- FI
- NO
- RU
- PL
- CS
- HU
- RO**
- LV
- LT
- ET
- HR
- SL
- SK
- BG
- UK
- TR

SIMBOLURI DIN ACEST MANUAL



Piese sau accesorii vândute separat



Notă

Radot jūsu elektrisko skarifikatoru vai aeratoru, drošībai, veiktspējai un uzticībai ir pievērsta vislielākā vērība.

PAREDŽĒTAIS LIETOJUMS

Elektriskais skarifikators vai aerators ir paredzēts lietošanai tikai ārpus telpām. Skarificēšanas vai aerēšanas laikā visiem četriem riteņiem ir jābūt pie zemes.

Produkts ir aprīkots ar stieplu zariem mājas zāliena skarificēšanai.

Produkts ir aprīkots ar aeratora uzliku, kas veidot augsnē caurumus, lai samazinātu augsnes sablīvēšanos.

Produkts ir gājēja virzīts no elektrotīkla barots zālāja skarifikators, kas paredzēts stumšanai ar rokām. Produktu nedrīkst vilkt vai uz tā braukt. To nevajadzētu lietot citu materiālu griešanai kā tikai mājas zālienam.

Nelietojiet citiem mērķiem.

VISPĀRĒJI ELEKTROINSTRUMENTU DROŠĪBAS BRĪDINĀJUMI

▲ BRĪDINĀJUMS

Izmantojot ierīci, izpildiet drošības noteikumus.

Pirms darba uzsākšanas Jūsu un blakusstāvētāju drošības dēļ, lūdzu, izlasiet šos norādījumus. Lūdzu, glabājiet noteikumus drošā vietā vēlākai izmantošanai.

PERSONISKĀ DROŠĪBA

- Produkts spēj amputēt rokas un kājas kā arī mest pa gaisu priekšmetus. Nesilaikant visu saugos taisyklių galima rimtai susižeisti ar net žūti.
- Iepazīstieties ar ierīces vadīšanu un pareizu lietošanu.
- Nekad nepieļaujiet, lai šī izstrādājuma ekspluatāciju, tīrīšanu vai apkopi veiktu bērni, personas ar samazinātām fiziskajām, maņu vai garīgajām spējām vai arī personas, kuras nav iepazinušās ar šiem norādījumiem. Vietos īstatymai gali apriboti įrengimo operatoriaus amžių. Nepieciešams pienācīgi uzmanīt bērnus, lai nodrošinātu, ka tie nespēlējas ar ierīci.
- Strādājot ar ierīci, uzmanieties, sekojiet savam darbam un vadieties pēc veselā saprāta. Nedarbiniet šo ierīci, kad esat noguris, slims vai alkohola, narkotisko vielu vai medikamentu ietekmē. Neuzmanība darbā ar ierīci var izraisīt smagus ievainojumus.
- Valkājiet izturīga auduma garās bikses, garās piedurknes un izturīgus, neslīdošus apavus. Nevalkājiet īsas bikses, sandales nestrādājiet ar plikām kājām. Nevelciet valģiu apģērbu vai apģērbu ar auklām un lentēm.
- Visada dēvēkite apsauginius akinius su šonine apsauga.
- Nepersitempkite. Vienmēr nodrošiniet kājām stingru atbalstu, it īpaši slīpumā. Visada tvirtai stovēkite ir īslaikykite pusiausvyrą. Ejiet, nekādā gadījumā neskrīniet.
- Lietojiet precī paralēli nogāzēm, nekad no augšas uz leju. Būkite itin atsargūs ant šlaitų keisdami kryptį.
- Nelietot izstrādājumu bedru, grāvju, pārlieki stāvu

nogāžu vai krasta malu tuvumā. Nestabils pamats var novest pie nejaušas paslīdēšanas un kritiena.

DARBA VIETA

- Nekad nelietojiet iekārtu, kamēr tuvumā atrodas cilvēki, it īpaši bērni, vai dzīvnieki.
- Priekšmeti, kurus var mest skarifikatora zari, var izraisīt cilvēkiem smagus ievainojumus. Rūpīgi pārbaudiet vietu, kur lietošiet ierīci un aizvāciet visus akmeņus, žaģarus, metālu, vadus, kaulus, rotālietas vai citus svešķermeņus.
- Izmantojiet precī tikai dienas gaismā vai labā mākslīgā apgaismojumā.
- Nedarbiniet ierīci sprādzienbīstamā vidē, piemēram, degošu šķidrums, gāzu vai putekļu klātbūtnē. Ierīce var radīt dzirksteles, kas var aizdedzināt putekļus vai gāzes.
- Nedarbiniet ierīci mitrā zālē vai lietus laikā.
- Nelietojiet ierīci uz bruģētām vai grantētām virsmām, kur lidojoši priekšmeti var radīt ievainojumus.
- Lietojiet produktu tikai uz līdzenas virsmas, vadot to ar abām rokām un lietotājam atrodoties aiz rokturiem.
- Izvairieties no skarifikatora lietošanas sliktos laika apstākļos, it īpaši pastāvot zibens triecienam.
- Turēkite omenyje, kad operatorius arba vartotojas yra atsakingas už nelaimingus atsitikimus arba kitiems asmenims ar jų turtoi sukeltą pavojų..
- Operatoriui nežinimai, kad šalia yra vaikai, gali įvykti nelaimingi atsitikimai. Niekada nemanykite, kad vaikai išliks toje pačioje vietoje, kur juos pirmiau matėte.
- Turiet bėrnus atstatus no plaušanas zonos, lieciet tos pieskatīt atbildīgam pieaugušajam, kas nav plaujamašinas lietotājs, esiet uzmanīgs un izslēdziet izstrādājumu, ja bērns ienāk plaušanas zonā.
- Ievērojiet īpašu piesardzību, tuvojoties nepārskatāmiem stūriem, krūmiem, kokiem vai citiem objektiem, ieskaitot nokareņus augus, kas var aizsegt jūsu skatu.

ELEKTRODROŠĪBA

- Kontaktdakšai ir jābūt tādai pašai kā elektrības izejai. Nekad nepārveidojiet kontaktdakšu. Sazemētiem elektroinstrumentiem nelietojiet pārejas līgšanas. Nepārveidotas kontaktdakšas un atbilstošas kontaktlīgšanas samazinās elektriskā trieciena risku.
- Izvairieties no nejaušas iedarbināšanas. Pirms pievienojiet iekārtu pie elektrības, vienmēr pārbaudiet, vai ieslēģšanas slēdzis atrodas pozīcijā izslēģts. Nepārniesiet pieslēģtu izstrādājumu, turot pirkstu uz slēģza.
- Nepieļaujiet ķermeņa kontaktu ar sazemētām virsmām, piemēram, caurulēm, radiatoriem, pavadiem un saldētāvām. Ja jūsu ķermenis ir sazemēts, pastāv palielināts elektriskā trieciena risks.
- Nepakļaujiet precī lielum vai slapjiem apstākļiem. Ūdenim iekļūstot iekārtā, palielināsies risks saņemt elektriskās strāvas triecienu.
- Elektriskā enerģija jāpieģadā caur strāvas noplūdes automātslēģzi (RCD) ar atslēģšanas strāvu, kas nepārsniedz 30 mA.



- Pirms lietošanas pārbaudiet, vai barošanas un pagarinātāja vadi nav bojāti vai novecojuši. Ja vads lietošanas laikā tiek sabojāts, nekavējoties atvienojiet to no barošanas avota. Bojāts vads var izraisīt saskarsmi ar zem sprieguma esošām daļām. **Nepieskarieties kabelim pirms strāvas atvienošanas.** Nelietojiet iekārtu, ja tās vads ir bojāts vai nodilis.
 - Ja elektrības vads ir bojāts, tā nomainīja jāveic personai ar profesionālu kvalifikāciju šādu darbu veikšanai, aizstājot to ar jaunu vadu, kas pieejams no ražotāja. Šo norāžu neievērošana var izraisīt smagus ievainojumus jums vai apkārtējiem, ieskaitot elektrotraumas.
 - Ja jums nepieciešams izmantot pagarinātāju, nodrošiniet, ka tas ir piemērots izmantošanai ārā un tā strāvas kapacitāte ir atbilstoša, lai apgādātu jūsu precī. Pagarinātājauklai ir jābūt apzīmētai ar "H05 RN F" vai "H05 VV F" Pirms katras lietošanas pārbaudiet, vai nav bojājumu, turklāt vadam lietošanas laikā vienmēr jābūt atītam, jo satīti vadi var pārkarst. Nomainiet bojātos pagarinājuma vadus ar līdzīgiem. Neveiciet bojātu vadu labošanu.
 - Pārļecinieties, ka pagarinātāju vadi atrodas atstatu no bīstamām kustīgajām daļām, lai izvairītos no bojājumiem vadiem, kas var izraisīt saskarsmi ar zem sprieguma esošām daļām.
 - Pārļecinieties, ka strāvas vads ir novietots tā, ka to nevar bojāt sagriežot un ka uz to nevar uzkāpt, pakļaut vai to kā citādi bojāt vai nosprīgot.
 - Nekad nepaceliet un nenesiet izstrādājumu aiz elektriskā kabeļa.
 - Atvienojot no enerģijas avota, nekad nevelciet aiz elektriskā vada.
 - Turiet elektrības vadu prom no siltuma avota, eļļas un asām šķautnēm.
 - Pārļecinieties, ka spriegums atbilst jūsu precei. Izstrādājuma spriegums norādīts uz izstrādājuma nosaukuma plāksnītes. Nekad nepievienojiet ierīci cita sprieguma vērtības maiņspriegumam.
 - Vienmēr nodrošiniet, ka salikšanas laikā vai, nolokot rokturi, vads no roktura uz skarifikatora korpusu nekur nav iespiests, iekēries vai citādi bojāts. Nekad nepievienojiet produktu spriegumam, ja vads ir bojāts. Veiciet apkalpošanu tikai pilnvarotā servisa centrā.
 - Jaudas izmaiņas rada sprieguma svārstības un var ietekmēt citas elektriskās preces, kas pieslēgtas pie tās pašas strāvas līnijas. Sprieguma svārstību minimizēšanai, pieslēdzot iekārtu, izvēlieties strāvas avotu ar pilno pretestību 0,452Ω (RY1400SF35A, RY1400SF35B) vai zemāku. Sazinieties ar savu elektriskās strāvas piegādātāju turpmākai informācijai.
- ELEKTRISKĀ SKARIFIKATORA UN AERATORA DROŠĪBAS BRĪDINĀJUMI**
- Produkta zari ir asi. Esiet uzmanīgi un valkājiet izturīgus cimds, kas pievienojat, nomaināt, tīrīt vai pārbaudāt skrūves drošību.
 - Pārbaudiet, vai visas skrūves, uzgriežņi, bultskrūves un citi stiprinājumi ir atbilstoši pievilkti un, vai aizsargi un plāksnes ir vietā. Nomainiet bojātas vai nesalasāmas uzlīmes.
 - Pirms izstrādājuma lietošanas, aizvietojiet nolietojušās vai bojātas detaļas.
 - Pirms skarificēšanas uzstādiet grūžu savācēju. Iztukšojiet grūžu savācēju, kad tas ir pilns, un uzlieciet atpakaļ pirms atsākt darbu.
 - Preci jāiedarbina, lietotājam atrodoties aiz roktura, operatora drošības zonā. Nekad nedarbiniet precī, ja:
 - visi četri rīteņi neatrodas uz zemes
 - grūžu izmešanas atvere ir atvērta un to neaizsargā grūžu savācējs un grūžu izmešanas atveres aizsargvāks.
 - Nekad nedarbiniet precī, ja iesl./izsl. slēdzis uz roktura pareizi neieslēdzas un neaptur precī.
 - Nekad nemēģiniet nobloķēt ieslēgšanas/izslēgšanas slēdzi ieslēgtā stāvoklī - tas ir ļoti bīstami.
 - Nepielietojiet spēku, izmantojot ražojumu. Tas darbu darīs labāk un drošāk ar ātrumu, kādam tas ticis izstrādāts.
 - Apturiet zaru kustību, šķērsojot akmeņainas virsmas.
 - Ievērojiet īpašu piesardzību, kad braucat atpakaļ gaitā vai velkat precī uz sevi.
 - Apturiet zaru kustību, ja produktu nepieciešams piecelt, lai pārvietotu, šķērsojot virsmas, kas nav zāle, kā arī pārvietojot produktu uz un no darba zonas.
 - Nekad neizmantojiet produktu ar bojātiem aizsargiem vai plāksnēm, bez uzstādītām drošības ierīcēm, piemēram, deflektoriem un/vai grūžu savācējiem.
 - Neceliet produktu, ieslēdzot motoru, izņemot, ja ierīce ir jāpaceļ, lai palaistu. Ja galēji nepieciešams, jūs varat paceļt tikai to daļu, kas atrodas tālāk no lietotāja. Vienmēr nodrošiniet, ka abas rokas atrodas darba stāvoklī, atgriežot ierīci uz zemes.
 - Uzmanīgi, saskaņā ar norādēm ieslēdziet produktu, turiet rokas un kājas atstatu no zariem. Nenovietojiet rokas vai kājas zem rotējošām detaļām vai to tuvumā. Visada laikīķitēs saugaus atstumo nuo īšmetimo angos.
 - Nekad nepaceliet vai nesiet precī, kamēr darbojas motors.
 - Turiet sprieguma padeves un pagarinātāja vadus atstatu no zariem.
 - Izslēdziet iekārtu un atvienojiet to no strāvas padeves. Pārļecinieties, ka visas kustīgās daļas ir pilnīgi apstājušās:
 - ja atstājat precī nepieskaīttu (tai skaitā atbrīvojoties no zāles).
 - pirms tīrīt nosprostojumus vai atbrīvotu zāles izmešanas atveri
 - pirms iekārtas pārbaudes, tīrīšanas vai labošanas
 - pēc sadursmes ar kādu priekšmetu; pārbaudiet, vai iekārta nav bojāta, un veiciet pirms iedarbināšanas un lietošanas veiciet nepieciešamos remontdarbus.
 - Ja izstrādājums sāk neparasti vibrēt, nekavējoties pārļecinieties, vai:
 - pārbaudiet, vai nav bojājumu
 - nomainiet vai salabojiet bojātās daļas
 - pārbaudiet un pievelciet vaīļgās detaļas
 - Venkīte skyliū, provēžū, īskīlimū, akmeņū ar kiķū

EN
FR
DE
ES
IT
NL
PT
DA
SV
FI
NO
RU
PL
CS
HU
RO
LV
LT
ET
HR
SL
SK
BG
UK
TR



paslēptu objektu. Nelīdzena zeme var novest pie nejaudas paslīdēšanas un kritiena.

- Nekavējoties atļaidiet rokturi un turieties atstatu no produkta, ja:
 - produkts sāk degt
 - aizsargi un/vai korpusi ir bojāti
 - atskatot neparastai skanīgai
 - notiekot negadījumam vai bojājumiem

⚠ BRĪDINĀJUMS

Pirms grūžu savācēja noņemšanas vai uzstādīšanas pārliecinieties, ka zari ir pilnīgi apstājušies.

⚠ BRĪDINĀJUMS

Nepieskarieties kustīgām bīstamām daļām, pirms izstrādājums ir atvienots no strāvas avota un kustīgās bīstamās daļas ir pilnīgi apstājušās.

PĀRSLODZES AIZSARDZĪBAS IERĪCE

Šis izstrādājums ir aprīkots ar pārslodzes aizsardzības ierīci. Konstatējot pārsلودzi, izstrādājums automātiski izslēdzas. Ja nostrādā pārsلودzes aizsardzība, dzinējam ir jāļauj atdzist 5 līdz 10 minūtes.

Izslēdziet iekārtu un atvienojiet to no strāvas padeves. Zari ir asi, valkājiet izturīgus cimdus, pirms tiem pieskarieties. Pārliecinieties, ka zari var brīvi griezties, nav iespiesti vai stingri.

Kad dzinējs ir atdzisis, pievienojiet kontaktdakšu barošanas avotam un ieslēdziet produktu. Lai iekārtu iedarbinātu, nospiediet palaišanas pogu, pēc tam ieslēgšanas-izslēgšanas pogu. Ja produktu joprojām nevar iedarbināt, veiciet produkta remontu tikai pilnvarotā servisa centrā.

KOPĒJIE SKARIFICĒŠANAS IETEIKUMI

- Noregulējiet griešanas dziļumu, atbilstoši jūsu mauriņam nepieciešamajam un zāles garumam.
- Ja jūsu zālājam ir problēma ar sūnām, noplaujiet zālāju un apstrādājiet ar pretsūnu līdzekli nedēļu pirms jūsu plānojat veikt skarificēšanu.
- Nolaistiet mauriņu pāris dienas pirms skarificēšanas, lai nodrošinātu ka tas ir mitrs, bet nav pārmērīgi slapjš.

TRANSPORTĒŠANA UN UZGLABĀŠANA

- Notīriet visus svešķermeņus no izstrādājuma. Uzglabājiet to vēsā, sausā un labi vēdinātā vietā, kurai nevar piekļūt bērni. Sargiet izstrādājumu no korozīvām vielām, piemēram, dārza ķīmikālijām un pretapledošanas sāls. Neglabājiet produktu ārpus telpām.
- Transportējot nostipriniet ierīci, lai tā nekustētos un neapgāztos, jo tas var izraisīt miesas bojājumus un ierīces bojājumus.

⚠ BRĪDINĀJUMS

Paceļot vai sasverot iekārtu apkopes, tīrīšanas, uzglabāšanas vai transportēšanas nolūkos, rīkojieties īpaši uzmanīgi. Zari ir asi, turiet visas ķermeņa daļas nost no zariem, kamēr tie ir atklāti.

APKOPE

⚠ BRĪDINĀJUMS

Lietojiet tikai oriģinālās ražotāja rezerves daļas, piederumus un uzgaļus. Pretējā gadījumā var tikt radīti ievainojumi un parādīts slikts sniegums, kā arī var tikt anulēta garantija.

⚠ BRĪDINĀJUMS

Aptarnavimā atlikti būtina itin atidzīai, tādēļ rekomenduojuame, kad tehniņe apziūra vykdytu kvalifikuotas specialistas. Veiciet apkalpošanu tikai pilnvarotā servisa centrā. Veicot apkopi, lietojiet tikai oriģinālās ražotāja rezerves daļas.

- Apturot produktu apkopei, apskate, glabāšana vai aksesuāru nomaīnai, izslēdziet sprieguma avotu, atvienojiet to no produkta un pārliecinieties, ka visas kustīgās daļas ir pilnīgi apstājušās. Pirms veicat jebkādas pārbaudes, regulēšanu utt., ļaujiet ierīcei atdzist. Rūpīgi kopiet produktu un uzturiet to tīru..
- Regulāri pārbaudiet grūžu uztvērēju, vai tam nav nodiluma, caurumu vai bojājumu.
- Daudzus šajā lietotāja rokasgrāmatā aprakstītos regulēšanas un remontdarbus varat veikt pats. Cita veida remontam vai konsultācijām, vērsieties pēc padoma autorizētā servisa centrā.
- Drošības apsvērumu dēļ nomainiet nodilušās vai bojātās daļas. Izmantojiet tikai oriģinālās rezerves daļas un piederumus.
- Pēc katras lietošanas reizes notīriet precī ar mīkstu, sausu drāniņu. Jebkura bojāta detaļa jānodod remontam vai nomaīnai pilnvarotā apkopes centrā.
- Regulāri pārbaudiet visus uzgriežņus, stiprinājumus un skrūves, lai pārliecinātos, ka tās ir cieši pievilktas un izstrādājums ir drošā darba stāvoklī.
- Ievērojiet piesardzību, veidot produkta regulēšanu, lai novērstu pirkstu iespiešanu starp kustīgajiem zariem un nekustīgajām korpusa daļām.
- Veicot zaru bloka apkopi, ņemiet vērā, ka, lai gan barošanas avots ir atslēgts, zaru bloku joprojām var kustināt.
- Produkta zari ir asi. Esiet uzmanīgi un valkājiet izturīgus cimdus, kas pievienojat, nomaināt, tīrīt vai pārbaudāt skrūves drošību.

NOSPROSTOJUMU ATBRĪVOŠANA

- Izslēdziet iekārtu un atvienojiet to no strāvas padeves.
- Pārbaudot un novēršot nosprostojumus, vienmēr

izmantojiet izturīgus aizsargcimdus. Zari ir asi un nosprostojušs pats var būt ass priekšmets.

- Noņemiet grūžu savācēju, pārbaudiet vai nav un izņemiet jebkādas šķēršļus.
- Pārbaudiet un rūpīgi izfīriet nosprostojumus zāles izmešanas atverē.
- Pagrieziet produktu uz sāna, pārbaudiet tā apakšdaļu un zonu ap zariem. Uzmaniģi izfīriet atrastos nosprostojumus.

OBJEKTĪVIE RISKI

Pat ka prece ir lietotā kā noteikts, nav iespējams pilnībā novērst noteiktus riska faktorus. Turpmāk norādītie riski var rasties lietošanas laikā un operatoram īpaša uzmanība jāpievērš, lai izvairītos no turpmāk minētā:

- Vibrācijas radīts ievainojums
 - Vienmēr izmantojiet darbam paredzēto instrumentu. Izmantojiet paredzētos rokturus. Ierobežojiet darba laiku un iedarbību.
- Trokšņa radīti miesas bojājumi
 - Saskarsme ar troksni var radīt dzirdes traucējumus. Valkājiet ausu aizsargu un ierobežojiet saskarsmi.
- ievainojumi no saskarsmes ar zariem
- Izmestu priekšmetu radīti ievainojumi

RISKA SAMAZINĀŠANA

Ir ticis ziņots, ka vibrācijas no rokas instrumentiem atsevišķos cilvēkos var veicināt kaiti, ko sauc par Reino sindromu. Simptomi var ietvert pirkstu tīkšķēšanu, nejutīgumu un nobālēšanu, parasti aukstā laikā. Tiek uzskatīts, ka tradicionālie faktori, aukstums un mitrums, uzturs, smēķēšana un darba prakse sekmē šo simptomu attīstību. Operators var veikt pasākumus, lai iespējami samazinātu vibrācijas efektu:

- Aukstā laikā ķermenim jābūt siltam. Kad darbināt precī valkājiet cimdus, lai rokas un plaukstu locītavas būtu siltas. Ir pētījumi, ka auksts laiks ir galvenais faktors, kas veicina Reino sindromu.
- Ik pēc laika apturiet darbu un veiciet vingrinājumus, kas uzlabo asins cirkulāciju.
- Strādājot jābūt biežiem pārtraukumiem. Ierobežojiet iedarbības ilgumu dienā.

Ja jūs izjūtat kādu no šiem simptomiem, nekavējoties apturiet ierīces lietošanu un sazinieties ar ārstu par šiem simptomiem.

▲ BRĪDINĀJUMS

Ilgstoša preces lietošana var radīt ievainojumus vai pasliktināt jau esošos. Ilgstoši lietojot jebkuru instrumentu, pārlicinieties, ka tiek veikti regulāri pārtraukumi.

PAZĪSTIET SAVU IERĪCI

Skatīt 132. lappusi

1. Slēdža poga
2. Satveršanas rokturi
3. Slēdži

4. Augšējā roktura stienis
5. Pogas
6. Seškantes atslēga
7. Stieplu zari
8. Aizmugures riteņi
9. Priekšējie riteņi
10. Pagarinātāja vads
11. Aeratora uzlika
12. Aukščīgo lygio regulatori
13. Aizmugures durtiņas
14. Grūžu savācējs
15. Vidējā roktura kārts
16. Vadu instalācija
17. Vada āķis

UZ PRECES ESOŠIE SIMBOLI



Drošības brīdinājums



Pirms iedarbināt mašīnu, lūdzu rūpīgi izlasiet instrukcijas.



Lietojiet dzirdes aizsargus



Valkājiet acu aizsargaprīkojumu



Nepakļaujiet lietum vai mitriem apstākļiem.



Sargieties no izmestiem vai lidojošiem priekšmetiem. Rūpējieties, lai visi tuvumā stāvošie, īpaši bērni un dzīvnieki atrastos vismaz 15 m attālumā no darba zonas



Uzmanieties no asajiem zariem. Zari turpina griezties pēc motora izslēgšanas.

Atvienojiet kontaktdakšu no sprieguma pirms apkopes vai, ja vads ir bojāts.



Parūpējieties, lai ierīces elastīgais vads neatrastos pie griešanas tapām.



Darba platumš: 35 cm



II klase: Aizsardzība pret elektrotriecienu balstās uz divkārtu vai pastiprinātu izolāciju.



Izlietotie elektroprodukti nedrīkst tikt izmesti kopā ar mājtsaimniecības atkritumiem. Lūdzu, nododiet tos attiecīgajās atk ār tolas izmantošanas vietās. Sazinieties ar savu vietējo varas pārstāvi vai izplatītāju, lai noskaidrotu, kur iespējama atkārtota pārstrāde.



Darbarīks atbilst visām normām ES valstī, kurā tas ir iegādāts.



EurAsian atbilstības marķējums



Nedarbiniet slīpumā, kas ir lielāks par 15°. Lietojiet precī paralēli nogāzēm, nekad no augšas uz leju.



Ukrainas apstiprinājuma zīme

001



Uz šīs etiķetes norādītais garantētā skaņas spiediena jauda ir 100 dB.

SIMBOLI ŠAJĀ ROKASGRĀMATĀ



Atsevišķi nopērkamās daļas vai piederumi



Piezīme



Brīdinājums

Lai izskaidrotu risku, kas saistīti ar izstrādājumu, līmeni, paredzēti šādi norādījuma vārdi un jēdzieni.

⚠ BĪSTAMI

Norāda draudošo bīstamo situāciju, kas, ja no tās neizvairās, var novest pie nāves vai nopietnas traumas.

⚠ BRĪDINĀJUMS

Norāda potenciālo bīstamo situāciju, kas, ja no tās neizvairās, var novest pie nāves vai nopietnas traumas.

⚠ UZMANĪBU

Norāda potenciālo bīstamo situāciju, kas, ja no tās neizvairās, var novest pie nelielas vai vidējas traumas.

UZMANĪBU

Bez drošības brīdinājuma apzīmējuma
Norāda uz situāciju, kas var radīt īpašuma bojājumus.

Gaminant šį elektrinį purentuvą arba aeratorių didžiausia varba buvo teikiama jo saugai, efektyvumui ir patikimumui.

NAUDOJIMO PASKIRTIS

Elektrinis purentuvas arba aeratorius skirtas naudoti tik lauke. Purenant arba aeruojant vėją, visi keturi ratai privalo liesti žemę.

Įrenginys, su sumontuotais purenimo virbalais, skirtas vejoms namų ūkyje purenti.

Įrenginys, su sumontuotu aeratoriaus priedu, skirtas skylėms dirvoje padaryti, kad ji būtų mažiau suplūkta.

Įrenginys yra naudotojo valdomas, elektros energija varomas vejoms purentuvas, skirtas stumti rankomis. Įrenginio negalima traukti arba ant jo važiuoti. Šį prietaisą galima naudoti tik pjauti žolę aplink namus, o ne kitose vietose.

Nenaudokite kitais tikslais.

BENDRI ELEKTRINIO ĮRANKIO SAUGOS ĮSPĖJIMAI

⚠ ĮSPĖJIMAS

Būtina laikytis saugos reikalavimų naudojantis šiuo produktu. Dėl savo pačių ir šalia esančių asmenų saugumo, perskaitykite šias instrukcijas prieš pradėdami dirbti prietaisu. Išsaugokite šią instrukciją ateičiai.

ASMENINĖ SAUGA

- Įrenginys gali amputuoti rankas ir pėdas, taip pat svaidyti daiktus. Nesilaikant visų saugos taisyklių galima rimtai susižeisti ar net žūti.
- Gerai žinoti apie valdiklius ir tinkamą krūmapjovės naudojimą.
- Jokiu būdu neleiskite naudoti, valyti ar prižiūrėti prietaisą vaikams, žmonėms su robotais fiziniiais, jutikliniais ar protiniais gebėjimais, arba nesusipažinusiems su šiomis instrukcijomis asmenimis. Vietos įstatymai gali apriboti įrengimo operatoriaus amžių. Vaikus reikia tinkamai prižiūrėti, kad jie nežaistų su krūmapjove.
- Dirbdami su prietaisu būkite budrūs, stebėkite, ką darote bei vadovaukitės sveika nuovoka. Nesinaudokite šiuo įrankiu, kai esate pavargę, sergate, ar esate pavartoję alkoholio, narkotikų ar vaistų. Neatidžiai elgdami su šiuo prietaisu galite sunkiai susižeisti.
- Dėvėkite sunkias, ilgas kelnes, ilgas rankoves ir tvirtą, neslystančią avalynę. Neleidžiama vilkėti trumpių kelnių ir avėti sandalų ar būti basiems. Nedėvėkite laisvų drabužių arba drabužių su kabančiais raišteliais arba virvelėmis.
- Visada dėvėkite apsauginius akinius su šonine apsauga.
- Nepersitempkite. Būtinai apsižiūrėkite, kad po kojomis būtų tvirtas pagrindas, ypač dirbdami atšlaitėse. Visada tvirtai stovėkite ir išlaikykite pusiausvyrą. Visada eikite, niekada nebėkite.
- Šlaituose gaminį reikia stumti skersai, joku būdu ne aukštyn ir žemyn šlaito. Būkite itin atsargūs ant šlaitų keisdami kryptį.

- Nenaudokite prietaiso arti skardžių, griovių, lapai stačių šlaitų ar pylimų. Galite paslysti ir pargriūti.

DARBO APLINKA

- Niekada nenaudokite šio prietaiso šalia esant kitiems asmenims, gyvūnams, o ypač vaikams.
- Purentuvo virbalių svaidomi objektai gali sukelti sunkių sužalojimų. Gerai patikrinkite tą vietą, kurią pjausite žoliapjovė bei pašalinkite visus akmenis, pagalius, metalo gabalus, laidus, kaulus, žaislus ir kitus pašalinius objektus.
- Gaminį galima naudoti tik dienos šviesoje arba esant geram dirbtiniam apšvietimui.
- Nenaudokite prietaiso, jei šalia yra degios ir sprogti galinčios medžiagos (skysčiai, dujos ar dulkės). Prietaisas gali kibirkščiuoti ir gali uždegti dulkes arba garus.
- Nenaudokite įrankio ant šlapios žolės bei lietuje.
- Prietaiso nenaudokite ant grįstos ar žvyro dangos, kur išmestos medžiagos gali sukelti sužeidimus.
- Naudokite įrenginį tik ant lygaus paviršiaus, stumdami jį abiem rankomis, laikydami už strypinės rankenos, eidami paskui jį.
- Stenkitės nenaudoti purentuvo prastomis oro sąlygomis, ypač, jie kyla žaibo pavojus.
- Turėkite omenyje, kad operatorius arba vartotojas yra atsakingas už nelaimingus atsitikimus arba kitiems asmenims ar jų turtui sukeltą pavojų.
- Operatoriui nežinant, kad šalia yra vaikai, gali įvykti nelaimingi atsitikimai. Niekada nemanykite, kad vaikai išliks toje pačioje vietoje, kur juos pirmiau matėte.
- Pasirūpinkite, kad pjaunamoje vietoje nebūtų vaikų ir kad juos prižiūrėtų atsakingas suaugusysis, kuris nėra operatorius, būkite atidūs ir išjunkite gaminį, jei į pjovimo vietą ateina vaikas.
- Būkite ypač atsargūs atėdami prie kampų, už kurių nesimato, krūmokšnių, medžių ar kitų objektų, įskaitant kabančius krūmus, galinčius jums užstoti vaizdą.

ELEKTROS SAUGA

- Maitinimo kištukai turi atitikti lizdą. Niekada nekeiskite kištuko. Su įžemintais (įžeminimo) elektriniais įrankiais niekada nenaudokite kištukų adapterių. Nepakeisti kištukai ir atitinkantys lizdai sumažina elektros smūgio pavojų.
- Saugokitės, kad jis netyčia neužsivestų. Prieš jungiant krūmapjovę į maitinimo šaltinį, būtinai patikrinti, ar jungiklis išjungtas. Nenešiotokite gaminio su prijungtu laidu laikydami pirštą ant jungiklio.
- Stenkitės nesiliesti prie įžemintų ar įžeminimo paviršių (vamzdžių, radiatorių, grandinių / viryklių, šaldytuvų). Įžeminus savo kūną, padidės elektros smūgio pavojus.
- Gaminio negalima naudoti ar laikyti lietuje ar drėgmėje. Į įrenginį patekęs vanduo padidina elektros smūgio pavojų.
- Elektros maitinimas turi būti paduodamas per prietaisą su srovės atjungimo (RCD), kurio išsijungimo srovės riba neturi būti didesnė, nei 30 mA.
- Prieš naudodami šį prietaisą, patikrinkite, ar jo maitinimo

EN
FR
DE
ES
IT
NL
PT
DA
SV
FI
NO
RU
PL
CS
HU
RO
LV
LT
ET
HR
SK
SL
BG
UK
TR

ir ilginamasis laidai nepažeisti ar nenusidėvėję. Jei naudojimosi metu laidas pažeidžiamas, iš karto ištraukite jį iš maitinimo lizdo. Pažeidus kabelius, galima prisiliesti prie dalių, kuriomis teka elektra. **Nelieskite laido to, kol jo neatjungėte nuo maitinimo šaltinio.** Jei laidas pažeistas ar nusidėvėjęs, prietaiso nenaudokite.

- Jei maitinimo kabelis būtų pažeistas, jį privalo pakeisti kvalifikuotas profesionalas, naudodamas naują kabelio komplektą, kurį galima įsigyti iš gamintojo. Nesilaikant šio nurodymo galima susižaloti arba sužaloti kitus, įskaitant mirtį nuo elektros srovės.
- Jei reikia jungti pailginimo laidą, šis laidas turi būti tinkamas naudoti lauko sąlygomis, o srovė atitikt gaminio maitinimo parametrus. Pailginimo laidas turi būti paženklintas „H05 RN F“ arba „H05 VV F“. Prieš kiekvieną naudojimą patikrinkite, ar nėra pažeidimų, naudojimo metu visuomet išvyniokite, nes suvynioti laidai gali perkaisti. Pakeiskite pažeistus ilginamuosius kabelius atitinkamo tipo kabeliais. Nebandykite taisyti pažeistų ilginamųjų kabelių.
- Būtinai saugokite ilginamuosius kabelius nuo judančių pavojingų dalių, kad nepažeistumėte kabelių ir išvengtumėte tiesioginio kontakto su dalimis, kuriomis teka elektros srovė.
- Patikrinkite, ar maitinimo laidas tokioje padėtyje, kad jo nepažeis pjovimo įrankiai, ant jo nebus galima užlipti, suklipti ar kitaip pažeisti ar susižeisti.
- Niekada nekelkite ir neneškite gaminio už elektros laido.
- Niekada netraukite už maitinimo laido norėdami prietaisą išjungti iš maitinimo.
- Saugokite maitinimo laidą nuo karščio, alyvos ir aštrių briaunų.
- Elektros įtampa turi atitikti gaminio parametrus. Pavadinimo plokštelėje ant gaminio nurodoma prietaiso įtampa. Niekada nejunkite produkto prie AC įtampos šaltinio, kurio skirtinga įtampa.
- Visada užtikrinkite, kad, montuojant rankeną arba ją sudedant, kabelis, nutiestas nuo strypinės rankenos parentuvo korpuso link, niekada nebūtų įpainiotas, suspaustas ar kitaip pažeistas. Niekada nejunkite įrenginio prie elektros tinklo, jei kabelis yra pažeistas. Įrenginį techninei priežiūrai pristatykite tik į įgaliotąjį techninės priežiūros centrą.
- Maitinimo smailės sukelia įtampos svyravimus ir gali paveikti kitus elektros gaminius, įjungtus į tą pačią maitinimo liniją. Kad įtampos svyravimai būtų mažesni, junkite gaminį į maitinimo tinklą, kurio tariamoji varža mažesnė arba lygi 0,452Ω (RY1400SF35A, RY1400SF35B). Dėl išsamesnio paaiškinimo kreipkitės į elektros tiekėją.

ELEKTRINIO PARENTUVO IR AERATORIAUS NAUDOJIMO SAUGOS TAISYKLĖS

- Įrenginio virbalai yra aštrūs. Montuojant, keičiant dalis, valant ar tikrinant varžtų įsukimo tvirtumą, reikia būti atsargiems ir mūvėti patvarias pirštines.
- Patikrinkite, ar tinkamai priveržti visi varžtai, varžlės, sraigčiai ir kitos tvirtinimo dalys, taip pat, ar tinkamai

sumontuoti visi apsauginiai gaubtai ir užtvapai. Pakeiskite pažeistas ar neįskaitomas etiketes.

- Prieš naudodami prietaisą, pakeiskite susidėvėjusias ar pakenktas dalis.
- Prieš pradėdami purenti, sumontuokite šiukšlių rinktuvą. Ištuštinkite šiukšlių rinktuvą, kai jis bus pilnas, ir vėl jį sumontuokite, prieš tęsdami darbą.
- Gaminį reikia paleisti naudotojui stovint už vairalazdžių, saugos zonoje. Jokiu būdu negalima paleisti gaminio, jeigu:
 - ne visi keturi ratai atsirėmę į žemę;
 - Šiukšlių išmetimo anga yra atidengta ir jos neuždengia šiukšlių rinktuvas ir šiukšlių išmetimo angos dangtis.
- Gaminio jokių būdu negalima naudoti, jeigu jį/išjungtiklio ant vairalazdės neįmanoma tinkamai paleisti ir tai stabdo gaminį.
- Niekada nebandykite užfiksuoti įjungimo / išjungimo jungiklių įjungimo padėtyje, nes tai – nepaprastai pavojinga.
- Nenaudokite per didelės jėgos. Prietaisą naudodami pagal pagaminimą tinkamą greitį, darbą atlikite geriau ir saugiau.
- Išjunkite virbalus važiuodami žvyro takais.
- Gaminį stumiant atbula eiga arba traukiant reikia būti ypatingai atsargiems.
- Išjunkite virbalus, jei įrenginį reikia paversti, transportuojant jį ne žole apaugusiais paviršiais ir transportuojant įrenginį į darbo vietą ir iš jos.
- Niekada nenaudokite įrenginio, jei jo apsauginiai gaubtai ar užtvapai yra apgadinti, arba jei nėra apsauginių įtaisų, pavyzdžiui, jei nesumontuoti kreiptuvai ir (arba) šiukšlių rinktuvas.
- Nepaverskite įrenginio užvesdami variklį, išskyrus tą atvejį, jei įrenginį reikia paversti, kad jis pradėtų judėti. Jei tai absoliučiai būtina, galima pakelti tik nuo naudotojo atokiai esančią įrenginio dalį. Abi rankos visada privalo būti darbo padėtyje, prieš nuleidžiant įrenginį ant žemės.
- Įrenginį įjunkite atsargiai, laikydamiesi nurodymų ir laikydami rankas bei pėdas atokiai nuo virbalų. Rankų ar kojų nelaikykite šalia besisukančių detalių ar po jomis. Visada laikykitės saugaus atstumo nuo išmetimo angos.
- Jokiu būdu negalima kelti gaminio ar jį nešti veikiant varikliui.
- Saugokite maitinimo ir ilginamąjį kabelius nuo virbalų.
- Išjungti gaminį ir atjungti jį nuo maitinimo tinklo. Patikrinkite, ar visos judančio dalys visiškai nustojo sukintis:
 - paliekant gaminį be priežiūros (taip pat išmetant žolės nuopjovas).
 - prieš valydami užsikimšusią žolę arba atkimšdami išskrovimo angą
 - prieš tikrindami ar valydami prietaisą arba prieš pradėdami juo pjauti žolę;
 - prietaisui atsitrenkus į pašalinį objektą: apžiūrėkite, ar prietaisas neapgadintas ir, jei reikia,, pasirūpinkite, kad prieš jį vėl paleidžiant ir naudojant

būtų pataisytas;

- Jei gaminys pradeda neįprastai vibruoti, nedelsdami patikrinkite:
 - patikrinkite, ar jis neapgadintas
 - pakeiskite ar suremontuokite visas pažeistas dalis
 - patikrinkite, ar nėra atsilaisvusių detalių ir jas priveržkite
- Venkite skylių, provėžų, iškilimų, akmenų ar kitų paslėptų objektų. Nelygioje teritorijoje galima paslysti ir išgriūti.
- Nedelsdami atleiskite rankeną ir pasitraukite nuo įrenginio:
 - jei įrenginys užsiliepsnoja;
 - jei būtų pažeistas apsauginis gaubtas ir (arba) korpusas;
 - jei įrenginys pradėtų skleisti neįprastą garsą;
 - jei įvyktų nelaimingas atsitikimas arba gedimas.

⚠ ĮSPĖJIMAS

Būtinai palaukite, kol virbalai visiškai sustos, prieš nuimdami ar sumontuodami šiukšlių rinktuvą.

⚠ ĮSPĖJIMAS

Nelieskite pavojingų judančių dalių, kol įrenginys bus atjungtas nuo elektros tinklo, o judančios pavojingos dalys visiškai sustos.

APSAUGOS NUO PERKROVOS ĮTAISAS

Gaminys turi apsaugos nuo perkrovų įtaisą. Aptikęs perkrovą, gaminys automatiškai išsijungs. Jei apsaugos nuo perkrovos įtaisas būtų suaktyvintas, reikia palaukti 5–10 minučių, kol atvės variklis.

Išjungti gaminį ir atjungti jį nuo maitinimo tinklo. Virbalai yra aštrūs, todėl, prieš juos liesti, užsidėkite tvirtas pirštines. Įsitinkinkite, kad virbalai gali laisvai sukstis, kad jie nestrिंगa arba nėra įtempti.

Varikliui atvėsus, prijunkite kištuką prie elektros lizdo ir įjunkite įrenginį. Norėdami paleisti prietaisą, paspauskite paleidimo mygtuką „Start“ (paleisti), tada jį / išj. mygtuką „On-off“. Jei įrenginys vis dar neįsijungia, pristatykite jį tik į įgaliojamą techninės priežiūros centrą, kad jį patikrintų.

PAGRINDINIAI PATARIMAI, KAIP PURENTI VEJĄ

- Sureguliuokite purenimo gyįlį atsižvelgdami į savo veją ir žolės aukštį.
- Suplanavę purenti veją, savaitę prieš tai nupjaukite vejos žolę ir panaudokite samanų šalinimo priemonę, jei joje yra samanų.
- Palaistykite veją kelias dienas prieš purenimą, kad veja būtų drėgna, bet ne per daug šlapia.

GABENIMAS IR LAIKYMAS

- Nuo įrankio nuvalykite visas pašalines medžiagas. Laikykite vėsioje, sausoje, gerai vėdinamoje ir vaikams nepasiekiamoje vietoje. Laikykite gaminį toliau nuo

korozinių medžiagų, pvz. sodo chemikalų ir tirpdančių druskų. Nelaikykite įrenginio lauke.

- Paruošiant gabenimui, gaminį reikia pritvirtinti, kad nejudėtų ir nenukristų, nes priešingu atveju jis gali sužaloti žmones arba sugesti pats.

⚠ ĮSPĖJIMAS

Būkite ypatingai atsargūs keldami ar pakreipdami prietaisą atlikti priežiūros, valymo darbus, padėti į sandėlį ar transportuoti. Virbalai yra aštrūs, todėl visos kūno dalys privalo būti atokiai nuo virbalų, kai jie nėra uždengti apsauginiu dangčiu.

PRIEŽIŪRA

⚠ ĮSPĖJIMAS

Keitimui naudokite tik originalias gamintojo atsargines dalis. Neoriginalios dalys gali būti sužeidimų ir įrenginio bloko veikimo priežastis, ir dėl to gali būti anuliuotas garantinis pažymėjimas.

⚠ ĮSPĖJIMAS

Aptarnavimą atlikti būtina itin atidžiai, todėl rekomenduojame, kad techninę apžiūrą vykdytų kvalifikuotas specialistas. Įrenginį techninei priežiūrai pristatykite tik į įgaliojamą techninės priežiūros centrą. Atlikdami prietaiso techninę priežiūrą, keitimui naudokite tik originalias, prietaiso gamintojo atsargines dalis.

- Norėdami vykdyti įrenginio techninės priežiūros ar patikros darbus, paruošti jį sandėliavimui ar pakeisti priedą, išjunkite jį, atjunkite nuo elektros tinklo ir įsitinkinkite, kad visos judančios dalys visiškai sustos. Prieš prietaisą tikrindami, reguliuodami ir t.t. palaukite, kol jis atvės. Įrenginys privalo būti techniškai tvarkingas ir švarus.
- Dažnai tikrinkite šiukšlių rinktuvą, ar jis nenusidėvėjo, ar jame nėra skylių ar įtrūkimų.
- Prietaisą galite reguliuoti ir remontuoti, kaip aprašyta šiame naudotojo vadove. Dėl kitų dalių taisymo ar pagalbos taisant reikia kreiptis į įgaliojamą techninio aptarnavimo centrą.
- Nusidėvėjusias ar apgadintas detales pakeiskite, kad nekiltų pavojaus saugumui. Naudokite tik originalias atsargines detales ir priedus.
- Po kiekvieno naudojimo, išvalykite įrenginį sausu švelniausiu audinio gabalėliu. Bet kurią apgadintą detalę leidžiama remontuoti arba keisti tik autorizuotame aptarnavimo centre.
- Dažnai tikrinkite visas varžles, varžtus ir sraigtus, ar jie tvirtai laikosi ir ar gaminys yra saugios darbo būklės stovyje.
- Būkite atsargūs reguliuodami įrenginį, kad neprispaustumėte pirštų tarp judančių virbalų ir fiksuotųjų įrenginio dalių.
- Prieš pradėdami virbalų bloko techninės priežiūros darbus, nepamirškite, kad, net ir išjungus energijos

Lietuviškai | 91

šaltinį, virbalų blokas vis tiek gali sukelti.

- Įrenginio virbalai yra aštrūs. Montuojant, keičiant dalis, valant ar tikrinant varžtų įsukimo tvirtumą, reikia būti atsargiems ir mūvėti patvarias pirštines.

UŽSIKIMŠIMŲ VALYMAS

- Išjungti gaminį ir atjungti jį nuo maitinimo tinklo.
- Tikrinant, ar gaminys neužsikimšęs bei šalinant kamštį, būtina dėvėti storas darbo pirštines. Virbalai yra aštrūs, be to, tai, kas juos gali užblokuoti, taip pat gali būti aštrus daiktas.
- Nuimkite šiukšlių rinktuvą, patikrinkite, ar nėra jį blokuojančių daiktų, ir atsargiai juos pašalinkite.
- Patikrinkite žolės šalinimo angą, ar ji neužkimšta, ir atsargiai pašalinkite ją užkišusius objektus.
- Paverskite įrenginį ant šono, patikrinkite įrenginio apacią ir vietą aplink virbalus. Radę blokuojančių daiktų, atsargiai juos pašalinkite.

ŠALUTINIAI PAVOJAI

Net naudojant gaminį pagal nurodymus, neįmanoma visiškai atmesti visų pavojaus veiksnių. Naudojant gaminį gali kilti toliau išvardinti pavojai ir naudotojas turi kreipti ypatingą dėmesį, kad jų išvengtų:

- Vibracijos sukeltas sužalojimas
 - Darbą reikia atlikti naudojant tik tam skirtus įrankius. Naudokitės specialiai laikymui skirtomis rankenomis. Ribokite darbo laiką ir vibracijos poveikį.
- Triukšmo sukelta trauma
 - Ilgai būnant triukšme, galima pakenkti klausą. Dėvėkite akių apsaugą ir ribokite poveikio trukmę.
- susisalojimas prisilietus prie akėtvirbalių
- Sužalojimai nuo išmetamų objektų

RIZIKOS MAŽINIMAS

Turime pranešimų, kad vibracija nuo ranka laikomų įrankių kai kuriems asmenims gali turėti neigiamos įtakos vystantis Raynaud sindromui. Šios ligos požymiai yra pirštų dilgčiojimas, nutirpimas ir pabalimas, paprastai pasireiškiantis nuo šalčio. Šie simptomai vystosi dėl paveldimų veiksnių, nesisaugant nuo šalčio ir drėgmės, dėl mitybos, rūkymo ir darbo praktikos. Operatorius gali imtis šių priemonių, kurios gali sumažinti vibracijos poveikį:

- Apsirenkite kuo šilčiau šaltu oru. Naudojant gaminį, reikia mūvėti pirštines, kad plaštakos ir riešai neatšaltų. Turime pranešimų, kad Raynaud sindromas labiausiai vystosi nuo šalto oro sąlygų.
- po darbo kiekvieną kartą pasportuokite, kad pagerėtų kraujo apytaka;
- dažnai darykite darbo pertraukas. Apribokite darbo laikotarpį per dieną.

Jei jums pasireiškia kokie nors šios būklės simptomai, nedelsdami nutraukite darbą ir kreipkitės į gydytoją.

⚠ ĮSPĖJIMAS

Ilgiau naudojant, įrankis kelia sužeidimų pavojų ir apsunkina darbą. Ilgiau naudojant įrankius, reikia reguliariai daryti pertraukas.

PAŽINKITE SAVO GRANDININĮ PJŪKLĄ

Žr. 132 psl.

- Įjungimo mygtukas
- Rankenos
- Gaidukai
- Viršutinės rankenos vamzdis
- Rankenėlės
- Šešiakampis veržliaraktis
- Virbalai
- Galiniai ratukai
- Priekiniai ratukai
- Ilginamasis laidas
- Aeratoriaus priedas
- Aukščio lygio reguliatorius
- Galinės durelės
- Šiukšlių rinktuvas
- Vidurinis rankenos vamzdis
- Laidas
- Laido kablys

SIMBOLIAI ANT ĮRENGINIO



Pranešimas apie saugumą



Atidžiai perskaitykite instrukcijas prieš pradėdami naudoti mechanizmą.



Dėvėkite ausų apsaugos priemones



Dėvėkite apsauginius akinius



Nenaudoti lyjant ar esant drėgnoms sąlygoms.



Saugokitės išmetamų arba skrendančių objektų. Visi pašaliniai asmenys, ypač vaikai ir naminiai gyvūnai, turi būti ne arčiau kaip 15 m nuo darbo vietos.



Virbalai yra aštrūs – būkite atsargūs! Išjungus variklį, virbalai dar kurį laiką sukasi.

Atjunkite kištuką nuo elektros lizdo, kai norite atlikti techninę priežiūrą arba tuo atveju, jei būtų pažeistas laidas.



Lankstusis maitinimo laidas turi būti atokiai nuo pjaunančių akėtvirbalių.



Darbinis plotis: 35 cm



II klasė: Nuo elektros smūgio apsaugoma dėl dvigubos ar sutvirtintos izoliacijos.



Elektrinių produktų atliekos neturi būti metamos kartu su namų ūkio atliekomis. Prašome perdirbkite jas ten, kur yra tokios perdirbimo bazės. Dėl perdirbimo patarimo kreipkitės į savo vietinę savivaldybę ar pardavėją.



Šis prietaisas atitinka visas reglamentuotas normas ES šalies, kur jis buvo nupirktas.



„EurAsian“ atitikties ženklas



Žoliapjovės nenaudokite ant šlaitų, kurių nuožulnumo kampas yra didesnis nei 15°. Šlaituose gaminį reikia stumti skersai, jokių būdų ne aukštyn ir žemyn šlaito.



Ukrainos atitikties ženklas



Garantuotas garso galios lygis rodomas šioje etiketėje yra 100 dB.

SIMBOLIAI VADOVE



Detalės arba priedai yra parduodami atskirai



Pastaba



Įspėjimas!

Šie signaliniai žodžiai yra skirti nurodyti su prietaiso naudojimu susijusio pavojaus lygį.

⚠ PAVOJUS

Reiškia ypač pavojingą padėtį, kurios neišvengus bus patirti sunkūs ar net mirtini sužeidimai.

⚠ ĮSPĖJIMAS

Reiškia potencialiai pavojingą situaciją, kurios neišvengus galimi sunkūs ar net mirtini sužeidimai.

⚠ ATSARGIAI

Reiškia potencialiai pavojingą situaciją, kurios neišvengus galimi lengvi ar vidutinio sunkumo sužeidimai.

⚠ ATSARGIAI

Be įspėjamųjų simbolių
Reiškia nuosavybės žalos tikimybę.

EN
FR
DE
ES
IT
NL
PT
DA
SV
FI
NO
RU
PL
CS
HU
RO
LV
LT
ET
HR
SL
SK
BG
UK
TR

Elektrilise murukobestaja või õhutaja juures on peetud esmatähtsaks ohutust, töövõimet ja töökindlust.

OTSTARBEKOHANE KASUTAMINE

Elektriline murukobestaja või õhutaja on mõeldud ainult välitingimustes kasutamiseks. Kobestamise või õhutamise ajal peavad kõik neli ratast maapinda puudutama.

Toode on varustatud muru koduaias kobestamiseks kobestusharudega.

Õhutustarvikuga varustatud toode on ettenähtud pinnasesse aukude tegemiseks, et vähendada pinnase kokkusurustust.

Toode on käies juhitud ja kätega lükatav elektritoitega murukobestaja. Toodet ei tohi tõmmata ega sellel sõita. Seda ei tohi kasutada muudeks lõikamistöodeks kui muru niitmiseks.

Ärge kasutage ühekski muuks otstarbeks.

ELEKTRITÖÖRIISTADE OHUTUSE ÜLDEESKIRJAD

⚠ HOIATUS

Seadme kasutamisel tuleb järgida ohutusreegleid.

Teie ja kõrvalseisjatele ohutuse tagamiseks lugege käesolevaid juhiseid enne seadme kasutamist läbi. Hoidke juhend edaspidiseks kasutamiseks alles.

ISIKUKAITSE

- Toode võib käed või jalad maha lõigata ning esemeid lendu paisata. Kõikide ohutusjuhiste mittetäitmine võib põhjustada tõsiseid vigastusi või surma.
- Õppige tundma kõiki seadme juhtseadiseid ja kasutusnõudeid.
- Ärge lubage lapsi ega piiratud füüsiliste, sensoorsete ja vaimsete võimetega inimesi ning nende juhistega mittetutvunud inimesi seadet kasutada, puhastada ja hooldada. Kohalikud regulatsioonid võivad seada kasutaja vanusele piiranguid. Laste järele tuleb piisavalt valvata, et nad seadmega ei mängiks.
- Seadmega töötamisel jälgige tööpiirkonda ja kasutage sealjuures tervet mõistust. Ärge kasutage tööriista väsinuna või haigena ega siis, kui olete uimastite, alkoholi või ravimite mõju all. Hetkeline tähelepanu hajumine muruniiduki kasutamise ajal võib põhjustada raske kehavigastuse.
- Kandke tugevaid pikki pükse, pikki varrukaid ja vastupidavaid libisemiskindlaid jalanõusid. Ärge kandke lühikesi pükse ja sandaale ega olge paljajalu. Vältige selliste riide kandmist, mis on lõdvad või millel on paelad või sidemed.
- Kandke alati küljekaitsetega kaitseprille.
- Ärge kumrardage. Töötamisel, eriti kallakul, tagage endale kindel jalgealune. Hoidke kindlat jalgade asendit ja tasakaalu. Töötamisel kõndige, ärge kunagi jookske.
- Töötamisel suunduge piki kallakut, mitte aga üles või alla. Olge ülimalt ettevaatlik, kui muudate kallakul olles suunda.
- Ärge püüdke niita järsakute ja kraavide serval või

suurel kaldel ja teetammidel. Halb jalgade asend võib põhjustada libisemist ja kukkumist.

TÖÖKOHT

- Ärge kasutage seadet, kui läheduses on teisi inimesi, eriti lapsi või lemmikloomi.
- Kobestaja teradelt löögi saanud esemed võivad inimestele raskeid vigastusi põhjustada. Kontrollige muruniiduki kasutamise ala hoolikalt üle ja eemaldage kõik kivid, vaiad, metallesemed, traat, kondid, mänguasjad ning muud esemed.
- Kasutage kultivaatorit ainult päevavalguses või hästivalgustatud kohtas.
- Ärge kasutage muruniiduki plahvatusohtlikes keskkondades, näiteks kergestisüttivate vedelike ja gaaside läheduses ega tolmuses kohtas. Elektritööriistad võivad tekitada sädemeid, mis võivad tolmu või auru süüdata.
- Ärge kasutage muruniidukit niiskes või märjas kohtas ega vihmas.
- Ärge kasutage masinat sillutatud või kruusaga kaetud pinnal, kus väljalastav materjal võib põhjustada vigastusi.
- Kasutage toodet üksnes tasasel maapinnal ja juhtige seda kahe käega lükates, olles ise käepideme taga.
- Ärge kasutage toodet halva ilmaga, eriti äikesehoju korral.
- Pidage meeles, et operaator või kasutaja on vastutav õnnetuste või ohuolukordade eest, mis võivad puudutada teisi inimesi või nende vara.
- Traaگیilised õnnetused võivad juhtuda, kui kasutaja ei märka laste kohalolekut. Ärge eeldage kunagi, et lapsed püsivad seal, kus te neid viimati nägite.
- Hoidke lapsed niidetavast alast eemal ja mõne vastutava täiskasvanu valvsa pilgu all; olge valmis toodet välja lülitama, kui laps satub niidetavale alale.
- Olge eriti hoolikas, kui läheneate pimedatele nurkadele, pöösastele, puudele või teistele objektidele (nt rippuvad taimed), mis võivad vaadet takistada.

ELEKTRIOHUTUS

- Toitepistikud peavad pistikupespa sobima. Ärge püüdke pistiku konstruktsiooni mingil moel muuta. Ärge ühendage maanduskontaktiga (kordusmaandusega) elektritööriistu elektrivõrku läbi vahepistikme. Pistiku ja pistikupespa konstruktsiooni muutmise korral tekib elektrilöögi oht.
- Vältige soovimatut käivitumist. Enne toitejuhtme ühendamist veenduge alati, et toitelüliti on väljalülitatud asendis. Ärge kandke toitega ühendatud toodet sõrme lüliti hoides.
- Hoiduge kehalisest kontaktist maandatud pindadega, näiteks torud, radiaatorid, elektripliidid ja külmikud. Kehaosade maandamisel suureneb elektrilöögi saamise oht.
- Ärge jätke kultivaatorit vihma kätte või märga kohta. Vee sattumisel seadme sisemusse suureneb elektrilöögi saamise oht.
- Elektriline tööriist tuleb ühendada vooluvõrku läbi rikkevoolu-kaitseüliti (RCD), mille rakendamisvoolu

tugevus on maksimaalselt 30 mA.

- Enne kasutamist kontrollige, et toite- ja pikendusjuhtmetel ei ole vigastusi ega vananemise märke. Kui juhe saab töötamise ajal vigastada, siis ühendage see kohe lahti. Kahjustatud juhe võib põhjustada kokkupuute pingele all olevate detailidega. **Ärge puudutage toitejuhet enne, kui see on vooluvõrgust lahti ühendatud.** Kui juhe on vigastada saanud, siis ärge seadet kasutage.
- Kui toitejuhe on kahjustatud, peab vastava kvalifikatsiooniga isik selle välja vahetama uue tootjalt saadud juhtmekomplekti vastu. Selle juhise eiramine võib põhjustada tõsisid vigastusi, kaasaarvatud surmavat elektrilööki, nii teile endale kui teistele.
- Kui teil on vaja kasutada pikendusjuhet, veenduge et see on välislingimuste jaoks sobiv ja teie tööriista jaoks piisava ristõikega. Pikenduskaablitel peab olema markeering "H05 RN F" või "H05 VV F". Kontrollige seda iga kord enne kasutamist vigastuste suhtes, kerige see alati lahti, muidu võib juhe üle kuumeneda. Vahetage kahjustatud pikendusjuhe samalaadse vastu. Ärge parandage kahjustatud pikendusjuhet.
- Hoidke pikendusjuhtmed liikuvatest ohtlikest osadest eemal, et vältida juhtmete vigastamist ja seeläbi kokkupuudet voolu all olevate osadega.
- Veenduge, et toitejuhe asetseb nii, et see ei saa teravate esemete sisselõike tõttu vigastada, sellele ei saa peale astuda, komistada ja see ei saa mingil muul viisil vigastada ega sattuda tõmbepingele alla.
- Ärge kunagi tõstke või kandke toodet juhtmetest hoides.
- Ärge kunagi ühendage toitejuhet lahti sellest tõmmates.
- Hoidke toitejuhe eemal kuumusest, õlist ja teravatest servadest.
- Veenduge, et võrgupinge vastab seadmel kasutatavale pingele. Tootte tehasesildil on näidatud kasutatav pinge voltides. Ärge mingil juhul ühendage seadet AC-võrku, millel on sellest erinev pinge.
- Alati kontrollige, et monteerimise ajal või käepideme kokkupanemisel ei jääks käepideme ja kobestaja korpuse vaheline juhe kuhugi vahele või saaks muul viisil kahjustatud. Kui kaabel on kahjustatud, ei tohi toodet toiteallikaga ühendada. Toodet tohib parandada vaid volitatud teeninduses.
- Voolutõuked põhjustavad pingekõikumisi ja võivad mõjutada samasse toiteahelasse ühendatud elektriseadmete tööd. Ühendage seade toitevõrku, mille näivastakistus on 0,452Ω (RY1400SF35A, RY1400SF35B) Ω või vähem, et pingekõikumisi minimeerida. Lisateabe saamiseks võtke ühendust oma elektritarbijaga.

ELEKTRILISE MURUKOBESTAJA JA -ÕHUTAJA OHUTUSJUHISED

- Tootte terad on teravad. Olge nende paigaldamise, asendamise ja kinnituspoldi kinnituse kontrollimise ajal väga ettevaatlik ning kandke tugevdatud kaitsekindaid.
- Kontrollige, kas kõik kruvid, mutrid, poldid ja muud kinnitusedetailid on korralikult kinni ning kaitsed omal kohal. Asendage vigastatud või mitteroetavad sildid.

- Asendage kulunud või vigastatud osad, enne kui hakkate seadet kasutama.
- Enne kobestamist asetage kohale prahikoguja. Tühjendage täis prahikoguja ja enne töö jätkamist asetage tagasi.
- Kasutaja peab muruniiduki käivitamise ajal olema juhtraua taga ohutus kohas. Ärge mingil juhul käivitage muruniidukit, kui:
 - kõik neli ratast ei toetu maapinnale,
 - prahi väljalaskeava on avatud ning seda ei kaitse prahikoguja ega prahi väljalaskeava kate
- Ärge seadet kasutage kui juhtraual olev sisse/välja lülitamise lüliti ei käivita või seiska seadet nõuetekohaselt.
- Ärge kunagi lukustage sees/väljas (on/off) lülitit sees-asisse; see on äärmiselt ohtlik.
- Ärge kasutage töötamisel liigest jõudu. Õigesti valitud tööriist töötab paremini ja ohutumalt selles võimsuspiirkonnas, milleks on see ette nähtud.
- Peatage terad, kui ületate kruusaga kaetud pinda.
- Tagurpidi liikudes või kultivaatorit tõmmates olge äärmiselt ettevaatlik.
- Peatage terad, kui toodet on tarvis kallutada, et ületada pindu, mille katteks ei ole muru ning toote transportimisel tööalale ja sealt ära.
- Toodet ei tohi kasutada, kui kaitsed on kahjustatud või kui kaitsevahendid (nt suunaja ja/või prahikoguja) ei ole paigaldatud.
- Ärge toodet kallutage mootori sisselülitamise ajal, v.a siis, kui masinat peab käivitamiseks kallutama. Ainult äärmise vajaduse korral võib tõsta seda osa, mis on kasutajast eemal. Veenduge, et hoiate mõlema käega tugevasti kinni, enne kui masina tagasi maapinnale lasete.
- Lülitage toode juhiseid järgides ettevaatlikult sisse ning hoidke käed ja jalad teradest eemal. Ärge pange oma käsi või jalgu pöörlevate osade alla või lähedusse. Hoidke alati puisteavast eemal.
- Ärge mingil juhul mootori töötamise ajal kultivaatorit üles tõstke ega kandke.
- Hoidke toitejuhe ja pikendusjuhe teradest eemal.
- Lülitage seade välja ja ühendage toitevõrgust lahti. Veenduge, et kõik masina liikuvad osad on täielikult seiskunud:
 - kui jätate seadme järelevalveta (kui kõrvaldate lõikmeid),
 - enne kaitsetuse eemaldamist või väljalaskeava ummistuse puhastamist
 - enne kontrollimist, puhastamist või teenindamist,
 - pärast võõrkehade vastu sattumist, enne uuesti käivitamist vaadake see vigastuste suhtes üle ja tehke vajadusel remont,
- Kui toode hakkab ebatavaliselt vibreerima, peatage see viivitamatult, et:
 - kontrollige üle vigastuste suhtes
 - asendage või parandage kõik vigastatud osad
 - kontrollige ja pingutage lõtvunud osad
- Vältige auke, vagusid, konarusi, kive ja muid varjatud

EN
FR
DE
ES
IT
NL
PT
DA
SV
FI
NO
RU
PL
CS
HU
RO
LV
LT
ET
HR
SL
SK
BG
UK
TR

objekte. Ebatasane pinnas võib põhjustada libisemist ja kukkumist.

- Laske käepidemest lahti ja astuge tootest eemale, kui:
 - toode läheb põlema
 - kaitse ja/või korpus on katki
 - tekib imelik hääli
 - toimub õnnetus või rike

⚠ HOIATUS

Enne prahikoguja eemaldamist või paigaldamist veenduge, et terad on täielikult peatunud.

⚠ HOIATUS

Ärge katsuge liikuvaid ohtlikke osi, enne kui toode on vooluvõrgust lahti ühendatud ja liikuvad ohtlikud osad on täielikult peatunud.

ÜLEKOORMUSE KAITSESEADE

Tootel on ülekoormuse kaitseseadis. Kui ilmneb ülekoormus, lülitub toode automaatselt välja. Kui ülekoormuse kaitse on käivitunud, peab laskma mootoril maha jahtuda 5 kuni 10 minutit.

Lülitage seade välja ja ühendage toitevõrgust lahti. Terad on teravad, neid puudutades kandke vastupidavaid kindaid. Veenduge, et terad saavad vabalt pöörelda ning ei ole kinni kiilunud ega kokkusuratud.

Kui mootor on maha jahtunud, ühendage pistik vooluvõrku ja lülitage toode sisse. Seadme käivitamiseks vajutage käivitusnupule Start ja seejärel sisse-välja lülitamise nupule On-off. Kui toode ei käivitu, viige toode parandamiseks vaid volitatud teenindusse.

NÄPUNÄITEID KOBESTAMISEKS

- Reguleerige lõikamise sügavust vastavalt muru seisukorrale ja kõrgusele.
- Kui teil on probleeme samblaga, nitke muru ja tehke samblatorjet üks nädal enne kobestamist.
- Kastke muru mõned päevad enne kobestamist, et muru oleks niiske, kuid mitte üleliia märg.

TRANSPORTIMINE JA HOIUSTAMINE

- Puhastage seade kõikidest võrkehadedest. Hoidke kuivas ja hästi ventileeritud kohas, mis on lastele juurdepääsmatu. Hoidke seadet eemal korrodeerivatest ainetest, nagu aiakemikaalid ja jääsulatussoolad. Ärge hoiustage toodet väljas.
- Vedamise ajal tõkestage kultivaator liikuma hakkamise ja alla kukkumise vastu, et vältida kehavigastusi ja masinaosade kahjustamist.

⚠ HOIATUS

Olge masina tõstmisel ja kallutamisel hooldamise, puhastamise, hoiustamise või transportimise ajal ülimalt ettevaatlik. Terad on teravad, hoidke kõik kehaosad lahtistest teradest eemal.

HOOLDUS

⚠ HOIATUS

Kasutage ainult tootja originaalvaruosi, tarvikuid ja tööorganeid. Selle nõude eiramine võib põhjustada, kehavigastuse, tootluse languse ja teile antud garantii tühistamise.

⚠ HOIATUS

Hooldamine nõuab ülimalt korrashoidu ja teadmisi ning tuleks teostada ainult kvalifitseeritud hooldustehnikute poolt. Toodet tohib parandada vaid volitatud teeninduses. Muruniiduki hooldamisel kasutage ainult tootja originaalvaruosi.

- Enne hooldustööde, ülevaatuste, reguleerimiste, hoiule panemise või tarvikute vahetamise alustamist lülitage toode välja, ühendage toiteallikast lahti ja veenduge, et kõik liikuvad detailid on täielikult seiskunud. Enne mistahes ülevaatuse, reguleerimise jne tööde alustamist laske masinal maha jahtuda. Hooldage toodet hoolikalt ja hoidke puhtana.
- Kontrollige sageli, kas prahikogujal on märke kahjustustest või kulumisest.
- Lubatud on teha ainult selles kasutusjuhendis kirjeldatud reguleerimis- ja parandustoiminguid. Muude remonditööde tellimiseks ja abi saamiseks pöörduge volitatud hoolduskeskusesse.
- Asendage kulunud või vigastatud osad, et tagada ohutus. Kasutage ainult originaalvaruosi ja tarvikuid.
- Pühkige trimmer pärast iga kasutuskorda pehme kuiva lapiga puhtaks. Vigastatud osad tuleb lasta pädeval hooldajal parandada või asendada.
- Kontrollige kõiki mutreid, polte ja kruvisid sagedaste intervallidega õige pinguloleku suhtes, et veenduda toote ohutus töökorras olemises.
- Olge ettevaatlik toote reguleerimisel, et sõrmed ei jääks liikuvate terade ja toote liikumatute osade vahele.
- Terasid hooldades olge ettevaatlik, sest kuigi toiteallikas on välja lülitatud, võivad terad ikka liikuda.
- Toote terad on teravad. Olge nende paigaldamise, asendamise ja kinnituspoldi kinnituse kontrollimise ajal väga ettevaatlik ning kandke tugevdatud kaitsekindaid.

BLOKEERINGUTE PUHASTAMISEKS

- Lülitage seade välja ja ühendage toitevõrgust lahti.
- Seadme kontrollimisel ja ummistumisel kandke tugevdatud kaitsekindaid. Terad on teravad ja takistuse põhjuseks võib olla terav ese.
- Eemaldage prahikoguja, kontrollige takistuste esinemist ja eemaldage need ettevaatlikult.
- Kontrollige, kas muru väljalaskeavas on ummistusi ja kõrvaldage need ettevaatlikult.
- Pöörake toode küllili ning kontrollige toote põhja ja terade ümbrust. Eemaldage takistused ettevaatlikult.

JÄÄKRISKID

Isegi siis, kui kultivaatorit kasutatakse kirjeldatud viisil, ei ole võimalik kõrvaldada kõiki jääkriskide mõjureid. Töötamise ajal võivad tekkida järgmised ohud, millele operaator peab pöörama erilist tähelepanu.

- Vibratsioonist põhjustatud kehavigastus
 - Alati kasutage tööks sobivat tööriista. Kasutage ettenähtud käepidemeid. Piirake tööaega ja kokkupuudet.
- Mürast põhjustatud vigastus
 - Tugev müra võib põhjustada kuulmiskahjustuse. Kandke kuulmiskaitsevahendeid ja piirake müraga kokkupuudet.
- teradega kokkupuutest põhjustatud vigastus
- Lenduvate esemete poolt põhjustatud vigastus

RISKI ALANDAMINE

Teadaolevalt võib käsitööriistade kasutamine põhjustada mõnedel inimestel seisundit, mida nimetatakse Raynaud' sündroomiks. Sümptomidena võib ilmneda sõrmede tuimus ja valkjaks muutumine, mis tavaliselt ilmneb külmas töötamisel. Nende sümptomite puhul tuleb hoiduda külmast ja niiskusest, dieedist ning suitsetamisest ja kasutada õigeid tööväiteid. Vibratsiooni mõju vähendamiseks tuleb rakendada järgmisi abinõusid.

- Külma ilmaga hoidke oma keha soe. Kandke kindaid, et hoida oma käed ja randmed soojad. Uuringud näitavad, et Raynaud's Syndrome ilmneb põhiliselt külma ilmaga.
- Pärast külmas töötamist tehke harjutusi, et verevarustust kiirendada.
- Tehke regulaarselt töovahegaesid. Piirake tööperioodi pikkust.

Kui ilmnevad haigustunnused, lõpetage kohe töö ja pöörduge arsti poole.

⚠ HOIATUS

Seadme pikaajalisel kasutamisel võite saada kehavigastusi ja varasemad vigastused võivad süveneda. Seadme kasutamisel pika aja jooksul tuleb teha korralisi vahegaesid.

ÕPPIGE OMA TOODET TUNDMA

Vt leht 132.

1. Lüli
2. Käepidemed
3. Päästikud
4. Ülemise käepideme toru
5. Nupud
6. Kuuskantvõti
7. Kobestusterad
8. Tagarattad
9. Esirattad
10. Pikendusjuhe
11. Ohutustarvik
12. Kõrguse reguleerimishoob
13. Tagumine luuk
14. Prahikoguja

15. Keskmise käepideme post

16. Juhtmestik

17. Toitejuhtme riputi

MASINAL OLEVAD SÜMBOLID



Ohutusalane teave



Enne seadme kasutamist lugege palun kasutusjuhend hoolega läbi.



Kandke kuulmiskaitsevahendeid



Kandke silmakaitsevahendeid



Ärge jätke vihma kätte või kasutage niiskes kohas.



Hoiduge ülespaisatud ja lendavate esemete eest. Hoidke kõik kõrvalseisjad, eriti lapsed ja lemmikloomad tööalalt vähemalt 15 meetri kaugusele.



Ettevaatust teravate kobestusterade suhtes!
Kobestusterad jätkavad pöörlemist ka pärast mootori väljalülitamist.
Eemaldage pistik vooluvõrgust enne hooldustööd või kui juhe on kahjustatud.



Hoidke paindud toitejuhe löiketeradest eemal.



Töölaius: 35 cm



Klass II: Tööriist on kaitstud elektrilöögi vastu topeltisolatsiooniga või tugevdatud isolatsiooniga.



Mittekasutatavaid elektritooteid ei tohi visata olmejäätmete hulka. Vaid tuleb viia vastavasse kogumispunkti. Vajadusel küsige sellekohast nõu oma edasimüüjalt või vastavalt kohaliku omavalitsuse institutsioonilt.



Vastab kõigile eeskirjadele EL-i liikmesriigis, kus toode on ostetud.



Euraasia vastavusmärk



Ärge töötage kallakul, mille kalle on üle 15°. Töötamisel suunduge piki kallakut, mitte aga üles või alla.



Ukraina vastavusmärgis



Etiketil näidatud tagatud helivõimsusetase on 100 dB.

KASUTUSJUHENDI SÜMBOLID



Eraldi ostetavad osad või tarvikud



Märkus



Hoiatus

Järgnevad märguandesõnad ja tähendused on mõeldud selle toote kasutamise seotud riskitasemetete kirjeldamiseks.

OHT.

Viitab kohe tekkivale ohtlikule situatsioonile, mis, kui ei väldita, lõpeb surma või tõsise vigastusega.

HOIATUS

Viitab võimalikule ohtlikule situatsioonile, mis, kui ei väldita, võib lõppeda surma või tõsise vigastusega.

ETTEVAATUST

Viitab võimalikule ohtlikule situatsioonile, mis, kui ei väldita, võib lõppeda väiksemate või keskmiste vigastusega.

ETTEVAATUST

Ilma hoiatussümbolita

Osutab olukorrale, mis võib põhjustada varakahju.

Vodeću ulogu u dizajnu vaše električne grebalice ili prozračivača trave imaju sigurnost, performanse i pouzdanost.

NAMJENA

Električna grebalica ili prozračivač trave namijenjeni su samo za korištenje na otvorenom prostoru. Sva četiri kotača trebala bi dodirivati zemlju prilikom grebanja ili prozračivanja.

Proizvod opremljen zupcima za grebanje konstruiran je za grebanje travnjaka u kućanstvu.

Proizvod je opremljen priključkom prozračivača travnjaka konstruiran je za pravljenje rupa u tlu kako bi se smanjilo zbijanje tla.

Proizvod je na električni pogon za prozračivanje travnjaka pod kontrolom pješaka i dizajniran za ručno guranje. Ne smijete se voziti na proizvodu ili ga vući. Ne bi se smjelo koristiti za rezanje ničega osim travnjaka u domaćinstvu.

Nemojte koristiti oštricu u nikakvu drugu svrhu.

OPĆA SIGURNOSNA UPOZORENJA ZA ELEKTRIČNI ALAT

⚠ UPOZORENJE

Prilikom korištenja proizvoda moraju se slijediti sigurnosna pravila. Radi vaše i sigurnosti ostalih promatrača, molimo vas da prije rada s proizvodom pročitate ove upute. Molimo vas da čuvate ove upute radi kasnijeg korištenja.

OSOBNJA SIGURNOST

- Proizvod može amputirati ruke i stopala i izbacivati predmete. Propust da se pridržavate svih uputa o sigurnosti može imati za posljedicu ozbiljne osobne povrede ili smrt.
- Upoznajte se s upravljačkim elementima i pravilnim korištenjem proizvoda.
- Nikada ne dopustite djeci ili osobama sa smanjenim fizičkim, osjetilnim ili mentalnim mogućnostima ili osobama koje nisu upoznate s ovim uputama da rade, čiste ili oražavaju ovaj proizvod. Moguće je da lokalni propisi propisuju starosnu dob rukovatelja. Djecu je potrebno odgovarajuće nadzirati kako bi se osiguralo da se ne igraju s proizvodom.
- Budite na oprezu, gledajte to što radite i pri radu s jedinicom koristite zdrav razum. Nemojte raditi s uređajem kada ste umorni, bolesni ili pod utjecajem alkohola, droge ili lijekova. Gubitak koncentracije tijekom rada uređaja može dovesti do ozbiljnih osobnih ozljeda.
- Nosite duge radne hlače, duge rukave i radne cipele s protukliznim potplatom. Nemojte nositi kratke hlače i sandale, ili hodati bosih nogu. Izbjegavajte nositi odjeću koja je labava ili s nje visi konop ili kravata.
- Uvijek nosite zaštitne naočale sa bočnim štitnicima.
- Ne sežite preko određene granice. Uvijek se čvrsto uprite, posebice na kosinama. Zauzmite čvrst stav i ravnotežu. Hodajte, nemojte trčati.

- Koristite proizvod uzduž kosine nikada gore i dolje. Posebnu pozornost obratite kada mijenjate smjer na kosini.
- Nemojte koristiti proizvod pored kosina, jaraka, previše stepenastih kosina ili nasipa. Loša obuća može izazvati klizanje ili pad.

RADNA OKOLINA

- Nikada ne radite s uređajem dok su u blizini ljudi, osobito djeca ili kućni ljubimci.
- Predmeti izbijeni zupcima za prozračivanje mogu ljudima nanijeti ozbiljne povrede. Temeljito provjerite područje gdje će se uređaj koristiti i uklonite svo kamenje, štapove, metal, žicu, kosti, igračke ili druge strane predmete.
- Koristite proizvod po danjem svijetlu ili pri dobroj umjetnoj rasvjeti.
- Nemojte rukovati uređajem u eksplozivnim atmosferama u kojima su prisutne zapaljive tekućine, plinovi ili prašina. Uređaj može stvoriti iskre koje mogu zapaliti prašinu ili pare.
- Nemojte raditi s uređajem u mokroj travi ili na kiši.
- Nemojte raditi s uređajem na popločanim ili šljunčanim površinama gdje odbačeni materijal može uzrokovati ozljedu.
- Upravljati proizvodom samo na ravnoj površini s obje ruke za upravljačem.
- Izbjegavajte uporabu prozračivača trave po lošem vremenu, posebno kada postoji opasnost od munje.
- Imajte na umu da je rukovatelj ili korisnik odgovoran za nezgode ili opasnosti koje nastanu drugim osobama ili njihovoj imovini.
- Tragične nezgode se mogu dogoditi ukoliko rukovatelj nije svjestan prisutnosti djece. Nikada ne pretpostavite da će djeca ostati tamo gdje ste ih posljednji put vidjeli.
- Djeca se ne smiju zadržavati u radnom području kosilice te moraju stalno biti pod nadzorom odgovorne odrasle osobe koja ne rukuje uređajem, stoga uvijek budite na oprezu i isključite proizvod ako uočite dijete u radnom području kosilice.
- Posebno pazite na slijepe kutove, grmlje, drveće ili druge objekte, uključujući i grane i grmlje koje vise iznad glave i vam blokiraju vidno polje.

ELEKTRIČNA SIGURNOST

- Utikači moraju odgovarati utičnici. Nikada nemojte modificirati utikače ni na koji način. Nemojte koristiti nikakve adapter utikače s uzemljenim električnim alatima. Originalni utikači i odgovarajuće utičnice smanjuju opasnost od strujnog udara.
- Izbjegavajte nehотиčno pokretanje alatke. Prije uključivanja proizvoda u napajanje uvijek provjerite da li je prekidač u položaju OFF (Isključeno). Ne nosite alatku priključenu na struju s prstom na prekidaču.
- Izbjegavajte kontakt tijela s uzemljenim površinama poput cijevi, radijatora, štednjaka i hladnjaka. Ako je vaše tijelo uzemljeno, povećava se opasnost od strujnog udara.
- Nemojte proizvod izlagati kiši ili vlažnim uvjetima. Ulazak vode u uređaj povećava opasnost od strujnog udara.

- Napajanje treba biti putem FID sklopke (RCD uređaj) s prorađnom strujom ne većom do 30 mA.
- Prije korištenja provjerite kabele za napajanje i produžne kabele na znakove oštećenja i dotrajalosti. Ako se kabel ošteti tijekom korištenja, odmah ga odspojite iz napajanja. Oštećeni kabeli mogu dovesti do kontakta s dijelovima pod naponom. **Nemojte dodirivati kabel prije nego ga isključite iz napajanja.** Nemojte koristiti uređaj ako je kabel oštećen ili istrošen.
- Ako je naponski kabel uređaja oštećen, potrebno ga je zamijeniti novim kompletom kabela raspoloživim kod proizvođača. Kabel smije zamijeniti isključivo profesionalni kvalificirani tehničar. Nepoštivanje ovih uputa može rezultirati nanošenjem ozbiljnih tjelesnih ozljeda (uključujući i strujni udar) vama ili drugim osobama.
- Ako trebate koristiti produžni kabel, osigurajte da je prikladan za korištenje na otvorenom i da ima dovoljan kapacitet za napajanje proizvoda. Produžni kabel treba imati oznaku „H05 RN F“ ili „H05 VV F“. Provjerite prije svakog korištenja na oštećenje, uvijek odmotajte tijekom korištenja jer se namotani kabel može pregrijati. Oštećene produžne kabele zamijenite istovjetnim. Ne popravljajte oštećene produžne kabele.
- Pobrinite se da produžni kabel držite podalje od opasnih dijelova kako biste izbjegli oštećenja kabela, koja mogu dovesti do doticaja s dijelovima pod naponom.
- Provjerite je li kabel za napajanje pravilno pozicioniran tako da ne može biti oštećen rezanjem i da se na njega ne može stati, zapeti ili drugim predmetima oštetiti ili naprezati.
- Nikada ne podižite ili nosite proizvod za električni kabel.
- Nikada ne povlačite za kabel kako biste ga odspojili iz napajanja.
- Držite kabel za napajanje podalje od topline, ulja i oštrih rubova.
- Provjerite da li je točno napajanje za vaš proizvod. Nazivna pločica na proizvodu naznačuje napon proizvoda. Nikada ne priključite proizvod na AC napon koji se razlikuje od ovog napona.
- Uvijek pazite da kabel od upravljača s ručicom do tijela prozračivača trave nikada ne bude zarobljen, stegnut ili na drugi način oštećen tijekom sklapanja ili stiskanja ručke. Nikada nemojte proizvod napajati strujom ako je kabel oštećen. Neka se proizvod servisira samo u ovlaštenom servisnom centru.
- Vršna struja uzrokuje fluktuacije napona i može utjecati na druge električne proizvode na istoj liniji napajanja. Spojite proizvod na izvor napajanja s impedancijom jednakom $0,452\Omega$ (RY1400SF35A, RY1400SF35B) Ω do minimalne fluktuacije napona. Obratite se dobavljaču električne energije za daljnje informacije.
- Provjerite jesu li svi vijci, matice, svornjaci i ostali zatezači pravilno pričvršćeni i jesu li štitnici i mrežice na svojem mjestu. Zamijenite oštećene ili nečitljive naljepnice.
- Zamijenite istrošene ili oštećene dijelove prije rada s proizvodom.
- Postavite sakupljač khratina prije prozračivanja trave. Ispraznite sakupljač khratina kad je napunjen i ponovno ga postavite prije nego što nastavite s radom.
- Proizvod se mora pokrenuti tako da korisnik stoji iza ručke u sigurnoj zoni za operatera. Nikada ne pokrećite proizvod ako:
 - sva četiri kotača nisu na zemlji
 - žlijeb za ispuštanje khratina je izložen i nije zaštićen sakupljačem khratina i poklopcem žlijeba
- Nikada ne radite s proizvodom ako sklopka za uklij./isklij. na ručki pravilno ne pokreće i zaustavlja proizvod.
- Nikada ne blokirajte prekidače za uključivanje / isključivanje u položaju za uključivanje; to je iznimno opasno.
- Nemojte proizvod koristiti iznad njegovih mogućnosti. Uređaj će bolje i sigurnije raditi na brzini za koju je konstruiran.
- Zaustavite zupce pri prelasku šljunčanih površina.
- Budite osobito pažljivi kada vraćate ili povlačite proizvod prema sebi.
- Zaustavite zupce ako se proizvod mora nagnuti prilikom prelaska preko ne travnatih površina i prijevoza proizvoda do radnog područja i sa njega.
- Nikada ne koristite proizvod s neispravnim zaštitom ili štitnicima ili bez sigurnosnih uređaja, na primjer, deflektora i / ili sakupljača khratina.
- Ne naginjte proizvod prilikom uključivanja motora, osim ako se stroj mora nagnuti za pokretanje. Ako je neophodno, možete podići samo onaj dio koji je udaljen od korisnika. Uvijek osigurajte da su obje ruke u radnom položaju prije nego što stroj vratite na zemlju.
- Proizvod pažljivo uključite prema uputama, pritom ruke i noge držite dalje od zubaca. Nemojte stavljati ruke ili stopala blizu ili ispod rotirajućih dijelova. Neka je otvor za pražnjenje uvijek slobodan.
- Nikada ne podižite ili ne nosite proizvod dok motor radi.
- Držite dovodni i produžni kabel dalje od zubaca.
- Isključite proizvod i odspojite ga iz napajanja. Provjerite da su svi pokretni dijelovi zaustavljeni:
 - kada got ostavljate proizvod bez nadzora (uključujući odlaganje nekupina trave).
 - prije odstranjivanja objekata zaglavljenih u stroju ili odštopavanja žlijeba za ispuštanje trave
 - prije provjere, čišćenja ili rada na uređaju
 - nakon odbacivanja nepoznatog predmeta; provjerite uređaj na oštećenja i po potrebi izvršite popravke prije ponovnog pokretanja i rada uređaja.
- Ako proizvod počne vibrirati snažnije od uobičajenog, odmah provjerite sljedeće:
 - provjerite ima li oštećenja
 - zamijenite ili popravite sve oštećene dijelove
 - provjerite ima li i pritegnite sve labave dijelove

SIGURNOSNA UPOZORENJA ZA RAD S ELEKTRIČNOM GREBALICOM I PROZRAČIVAČEM TRAVE

- Zupci na proizvodu su oštri. Budite pažljivi i nosite zaštitne rukavice kada postavljate, zamijenjujete, čistite ili provjeravate sigurnost vijaka.

- Izbjegavajte rupe, kolotrage, ispupčenja, kamenje i druge prikrivene predmeta. Neravan teren može uzrokovati klizanje i pad.
- Odmah pustite ručicu i držite se podalje od proizvoda ako:
 - proizvod zahvati vatru
 - su štitnik i / ili kućište je slomljeni
 - se javlja neuobičajen zvuk
 - dogodi li se bilo kakva nesreća ili kvar

⚠ UPOZORENJE

Provjerite jesu li zupci potpuno zaustavljeni prije uklanjanja ili postavljanja sakupljača khratina.

⚠ UPOZORENJE

Nemojte dirati pokretne dijelove proizvoda prije nego što proizvod odvojite od napajanja i prije nego što se svi pokretni dijelovi potpuno ne zaustave.

UREĐAJ ZA ZAŠTITU OD PREOPTEREĆENJA

Proizvod ima ugrađeni uređaj za zaštitu od preopterećenja. Nakon otkrivenog preopterećenja proizvod će se automatski isključiti. Ako je uključen uređaj za zaštitu od preopterećenja, potrebno je pustiti motor da se ohladi na 5 do 10 minuta.

Isključite proizvod i odspojite ga iz napajanja. Zupci su oštri, prije rukovanja navucite debele zaštitne rukavice. Provjerite mogu li se zupci slobodno okretati, te da nisu zaglavljivi ili uklješteni.

Kada se motor ohladi, utikač spojite na izvor električnog napajanja i uključite proizvod. Pritisnite gumb za pokretanje i potom gumb uklj./isklj. za pokretanje proizvoda. Ako se proizvod neće pokrenuti, neka se proizvod servisira samo u ovlaštenom servisnom centru.

OPĆI SAVJETI ZA PROZRAČIVANJE TRAVE

- Prilagodite dubinu rezanja u skladu s potrebama vašeg travnjaka i dužini trave.
- Ako imate problem s mahovinom, pokosite svoj travnjak i primijenite sredstvo protiv mahovine tjedan dana prije nego što ga namjeravate prozračivati.
- Zalijevajte travnjak nekoliko dana prije nego što ga prozračite kako biste bili sigurni da je vaš travnjak vlažan, ali ne pretjerano vlažan.

PRIJEVOZ I SKLADIŠTENJE

- Očistite svaki strani materijal s uređaja. Skladištite ga na suhom i dobro ventiliranom mjestu koje nije pristupačno djeci. Držite proizvod podalje od korozivnih sredstva kao što su vrtno kemikalije i soli protiv zaleđivanja. Proizvod ne čuvajte na otvorenom.
- Za prijevoz, osigurajte uređaj protiv pomicanja ili pada kako biste spriječili povrede osoba ili oštećenja na uređaju.

⚠ UPOZORENJE

Budite izuzetno oprezni kada podižete ili naginjete uređaj radi održavanja, čišćenja, spremanja ili prijevoza. Zupci su oštri, držite sve dijelove tijela daleko od zubaca dok su izloženi.

ODRŽAVANJE

⚠ UPOZORENJE

Koristite samo originalne zamjenske dijelove, dodatni pribor i priključke od proizvođača. Nepoštivanje ovih uputa može dovesti do mogućih ozljeda, loše učinkovitosti i može dovesti do poništenja jamstva.

⚠ UPOZORENJE

Servisiranje iziskuje krajnju pažnju i znanje i treba da ga vrši samo kvalificirani serviser. Neka se proizvod servisira samo u ovlaštenom servisnom centru. Prilikom servisiranja, koristite samo originalne zamjenske dijelove od proizvođača.

- Kad se proizvod zaustavi zbog servisiranja, pregleda ili skladištenja ili mijenjanja dodatne opreme, isključite izvor napajanja, odspojite proizvod iz napajanja i provjerite jesu li svi pokretni dijelovi potpuno zaustavljeni. Omogućite uređaju da se ohladi prije bilo kakve provjere, podešenja itd. Pažljivo održavajte proizvod i držite ga čistim.
- Često provjeravajte ima li u sakupljaču khratina habanja, rupa ili oštećenja.
- Možete izvršiti podešavanja i popravke koji su opisani u ovom priručniku. Za ostale popravke ili savjete, potražite pomoć ovlaštenog servisnog centra.
- Iz sigurnosnih razloga zamijenite istrošene ili oštećene dijelove. Koristite samo originalne zamjenske dijelove i dodatni pribor.
- Nakon svakog korištenja proizvod obrišite sa suhom mekom krpom. Svaki oštećeni dio trebao bi pravilno popraviti ili zamijeniti ovlašteni servisni centar.
- Često provjeravajte sve matice i zavrtnje da li su dobro pritegnuti kako biste bili sigurni da je proizvod u sigurnom radnom stanju.
- Budite oprezni tijekom podešavanja proizvoda kako biste spriječili upadanje prstiju između pokretnih zubaca i fiksnih dijelova proizvoda.
- Prilikom servisiranja sklopa zubaca imajte na umu da se čak i ako je izvor napajanja isključen, sklop zubaca se još uvijek može pomaknuti.
- Zupci na proizvodu su oštri. Budite pažljivi i nosite zaštitne rukavice kada postavljate, zamijenjujete, čistite ili provjeravate sigurnost vijaka.

ČIŠĆENJA BLOKADA

- Isključite proizvod i odspojite ga iz napajanja.
- Uvijek nosite zaštitne rukavice velike debljine kada

EN
FR
DE
ES
IT
NL
PT
DA
SV
FI
NO
RU
PL
CS
HU
RO
LV
LT
ET
HR

SL
SK
BG
UK
TR

provjeravate ili čistite blokiranost. Zupci su oštri, a samu blokadu može izazvati oštar predmet.

- Uklonite sakupljač krhotina, pregledajte i pažljivo uklonite zaglavljene objekte.
- Pregledajte i pažljivo uklonite zaglavljene objekte iz žlijeba za izbacivanje trave.
- Okrenite proizvod na bočnu stranu i pregledajte donju stranu proizvoda i područje oko zubaca. Pažljivo uklonite sve zaglavljene objekte.

OSTALE OPASNOSTI

Čak i kad je proizvod korišten kao što je prethodno opisano, još uvijek nije moguće potpuno isključiti ostale čimbenike opasnosti. Može doći do sljedećih opasnosti tijekom korištenja i operater mora obratiti posebnu pozornost kako bi izbjegao sljedeće:

- Ozljede uzrokovane vibracijom
 - Koristite točan alat za posao. Koristite označene ručke. Ograničite radno vrijeme i izloženost.
- Ozljede uzrokovane bukom
 - Izlaganje buci može izazvati povredu sluha. Nosite zaštitu za sluh i ograničite izloženost.
- ozljeda zbog kontakta sa zupcima
- Ozljede uzrokovane izbačenim i letećim predmetima

SMANJENJE OPASNOSTI

Prijavljeno je da vibracije alata koje se drži u ruci kod određenih pojedinaca mogu doprinijeti stanju pod nazivom Raynaud's Syndrome. Simptomi mogu uključivati trnce, ukočenost i bjelinu prstiju, obično uočljivo po izlaganju hladnoći. Smatra se da nasljedne osobine, izlaganje hladnoći i vjazi, dijeta, pušenje i radni postupci pridonose razvoju ovih simptoma. Postoje mjere koje operater može poduzeti kako bi smanjio moguće učinke vibracije:

- Održavajte svoje tijelo toplim u hladnim vremenskim uvjetima. Kad radite s proizvodom nosite rukavice kako biste ruke i zglobove održavali toplima. Prijavljeno je da je hladnoća glavni čimbenik koji doprinosi Raynaud's Syndrome.
- Nakon svakog perioda rada vježbajte kako biste povećali cirkulaciju krvi.
- Uzimajte česte stanke u radu. Ograničite količinu izlaganja po danu.

Ako osjetite neke od simptoma ovog stanja, odmah prekinite korištenje i obratite se svome liječniku vezano uz ove simptome.

▲ UPOZORENJE

Povrede mogu biti uzrokovane ili zadobivene produženim korištenjem alata. Kada koristite bilo koji alat dulje vremena, osigurajte da uzimate povremene stanke.

UPOZNAJTE SVOJ PROIZVOD

Pogledajte stranicu 132.

1. Gumb za prebacivanje
2. Rukohvati
3. Okidači

4. Šipka gornje ručke
5. Gumbi
6. Imbus ključ
7. Zupci
8. Stražnji kotači
9. Prednji kotači
10. Produžni kabel
11. Priključak prozračivača
12. Ručica za podešavanje visine
13. Stražnja vrata
14. Sakupljač otpadaka
15. Šipka srednje ručke
16. Ožičenje
17. Kuka za kabel

SIMBOLI NA PROIZVODU



Sigurnosno upozorenje



Molimo da pažljivo pročitate upute prije pokretanja stroja.



Nosite zaštitu za sluh



Nosite sredstva za zaštitu očiju



Ne izlažite kiši ili vlažnim uvjetima.



Čuvajte se odbačenih ili letećih predmeta. Držite sve promatrače naročito djecu i kućne ljubimce, na udaljenosti najmanje 15 m od radnog područja.



Pazite se oštrih zubaca. Zupci nastavljaju s okretanjem i nakon isključivanja motora. Izvucite utikač iz mreže električnog napajanja prije održavanja ili ako je kabel oštećen.



Držite dalje fleksibilni kabel za napajanje od noževa za rezanje.



Radna širina: 35 cm



Klasa II: Zaštita od strujnog udara oslanja se na duplu izolaciju ili amiranu izolaciju.



Otpadni električni proizvodi ne treba da se odlažu s otpadom iz domaćinstva. Molimo da reciklirate gdje je to moguće. Potražite savjet od lokalnih vlasti ili prodavca kako reciklirati.



Ovaj alat usklađen je sa svim normama i propisima zemlje Europske unije u kojoj je kupljen.



EurAsian znak konformnosti



Nemojte raditi na strminama većim od 15°. Koristite proizvod uzduž kosine nikada gore i dolje.



Ukrajinska oznaka za sukladnost



Deklarirani zvučni tlak prikazan na ovoj naljepnici iznosi 100 dB.

SIMBOLI U OVOM PRIRUČNIKU



Dijelovi ili pribor prodan odvojeno



Napomena



Upozorenje

Slijedeće riječi upozorenja i značenja imaju namjeru da objasne nivo rizika u vezi s ovim proizvodom.

OPASNOST

Ukazuje na neposrednu opasnu situaciju, koja, ukoliko se ne izbjegne, može rezultirati smrću ili opasnim povredama

UPOZORENJE

Ukazuje na moguću opasnu situaciju, koja, ukoliko se ne izbjegne, može rezultirati smrću ili opasnim povredama

UPOZORENJE

Ukazuje na moguću opasnu situaciju, koja, ukoliko se ne izbjegne, može rezultirati manjim ili blažim povredama

UPOZORENJE

Bez sigurnosnog simbola upozorenja
Naznačuje situaciju koja može rezultirati oštećenjem imovine.

Električna brana ali aerator je zasnovan in izdelan za zagotavljanje najvišje ravni varnosti, učinkovitosti in zanesljivosti delovanja.

NAMEN UPORABE

Električna brana ali aerator je predviden samo za zunanjo uporabo. Med brazdanjem ali aeriranjem se morajo vsa štiri kolesa dotikati tal.

Izdelek, opremljen z nastavki za brazdanje, je zasnovan za brazdanje domačih trat.

Izdelek, opremljen z dodatnim aeratorjem, je zasnovan za ustvarjanje lukenj v zemlji, da se zmanjša steptanost tal.

Izdelek je brana za trate, ki se napaja iz električnega omrežja in uporablja z ročnim potiskanjem. Izdelka se ne sme vleči ali se na njem voziti. Z njim kosite samo domače trate.

Za druge namene ga ne uporabljajte.

SPLOŠNA VARNOSTNA OPOZORILO ZA ELEKTRIČNA ORODJA

⚠ OPOZORILO

Med uporabo stroja upoštevajte varnostna navodila.

Za svojo varnost in varnost drugih oseb preberite ta navodila pred uporabo izdelka. Prosimo, shranite ta navodila za kasnejšo rabo.

OSEBNA VARNOST

- Izdelek lahko odseka roke in noge ter povzroči letenje predmetov. Neupoštevanje vseh varnostnih navodil se lahko konča z resnimi poškodbami ali smrtjo.
- Seznanite se s krmilnimi elementi in pravilno uporabo izdelka.
- Otrokom in osebam z zmanjšanimi fizičnimi, senzoričnimi ali duševnimi zmoglostmi ter osebam, ki niso seznanjene s temi navodili, nikoli ne dovolite uporabljati, čistiti ali vzdrževati izdelka. Lokalni predpisi se morda nanašajo tudi na minimalno starost upravitelja. Otroke nenehno primerno nadzorujte, da se ne bodo igrali z napravo.
- Med uporabo enote bodite pozorni, spremljajte potek dela in uporabljajte zdrav razum. Naprave ne uporabljajte, ko ste utrujeni, bolni ali pod vplivom alkohola, drog ali zdravil. Padec koncentracije pri uporabi naprave lahko privede do hudih telesnih poškodb.
- Nosite debele, dolge hlače, dolge rokave in vzdržljivo obutev, ki ne drsi. Ne nosite kratkih hlač in sandalov in ne rokujte z napravo bosi. Ne nosite oblačil, ki so ohlapna ali z njih visijo trakovi.
- Vedno nosite zaščitna očala s stransko zaščito.
- Nesiahajte priliš daleko. Vedno stojte trdno, predvsem pri obratovanju na klancih. Pazite na ravnotežje in ne pretiravajte. Vedno hodite, nikoli ne tecite.
- Na pobočjih se premikajte prečno, nikoli gor in dol. Pri menjavanju smeri na pobočjih bodite še posebej previdni.

- Izdelka ne uporabljajte v bližini nagibov, jarkov, izredno strmih pobočij ali nabrežij. Slaba obutev lahko povzroči zdrs in nesrečo.

DELOVNO OBMOČJE

- Če so v bližini ljudje, še posebej otroci ali domače živali, naprave ne uporabljajte.
- Predmeti, ob katere zadenejo zobce brane, lahko povzročijo hude telesne poškodbe. Temeljito preglejte delovno površino in odstranite vse kamne, palice, kovino, žice, kosti, igračke ali druge predmete.
- Izdelek uporabljajte samo pri dnevni svetlobi ali dobri osvetlitvi.
- Naprave ne uporabljajte v eksplozivnih okoljih, npr. v bližini vnetljivih tekočin, plinov ali prahu. Orodje lahko proizvaja iskre, zaradi katerih se lahko prah ali hlapi vnamejo.
- Naprave ne uporabljajte na mokri travi ali na dežju.
- Naprave ne uporabljajte na tlakovani ali peščeni podlagi, kjer bi lahko naokoli leteč material povzročil poškodbe.
- Izdelek uporabljajte izključno na ravni površini z uporabo obeh rok, pri čemer operater stoji za ročajem.
- Brane ne uporabljajte v slabem vremenu, predvsem če obstaja nevarnost grmenja.
- Pomnite, da je upravitelj oz. uporabnik odgovoren za nesreče ali nevarnosti, ki se pripetijo ostalim ljudem ali njihovi lastnini.
- Če upravitelj ni pozoren na prisotnost otrok, se lahko pripetijo tragične nesreče. Nikoli ne domnevajte, da bo otrok ostal tam, kjer ste ga zadnjič videli.
- Otroci naj bodo izven območja košnje in pod skrbnim nadzorom odgovorne odrasle osebe, ki ne uporablja kosilnice; bodite pozorni nanje in kosilnico izklopite, če otroci vstopijo v območje.
- Med približevanjem nepreglednim ovinkom, živim mejam, drevesom ali drugim predmetom, vključno z visečimi živimi mejami, ki lahko ovirajo pogled, bodite posebej previdni.

ELEKTRIČNA VARNOST

- Vtiči električnih orodij se morajo prilegati vtičnicam. Vtiča nikoli in na noben način ne smete spreminjati. Z ozemljenimi električnimi orodji ne uporabljajte adapterjev vtiča. Nespremenjeni vtiči in ustrezne vtičnice zmanjšajo tveganje električnega udara.
- Izogibajte se nenamernemu zaganjanju naprave. Preden izdelek priklopite na napajanje, preverite če je stikalo v položaju OFF (IZKLOP). Ne nosite vklopljenega izdelka s prstom na stikalu.
- Izogibajte se telesnemu stiku z ozemljenimi površinami, kot so cevi, radiatorji, kuhalniki in hladilniki. Če je vaše telo ozemljeno, obstaja povečano tveganje električnega udara.
- Izdelka ne izpostavljajte dežju ali vlagi. Voda, ki vstopi v napravo, zviša tveganje za električni udar.
- Napajanje naprave mora imeti napravo za rezidualni tok (RCD), tok naj ne presega 30 mA.
- Pred uporabo preverite napajalni kabel ali podaljšek

glede poškodb ali staranja. Če se kabel med uporabo poškoduje, ga takoj odklopite iz električne vtičnice. Poškodovane žice lahko povzročijo stik z deli pod napetostjo. **Dokler kabla ne odklopite iz napajanja, se ga ne dotikajte.** Če opazite, da je napajalni kabel poškodovan ali obrabljen, naprave ne uporabljajte.

- Če se napajalni kabel poškoduje, ga mora strokovno usposobljena oseba zamenjati z novim, ki je na voljo pri proizvajalcu. Neupoštevanje tega navodila lahko privede do resne poškodbe vas ali drugih oseb, vključno s smrtjo zaradi električnega udara.
- Če potrebujete podaljšek za električni kabel, se prepričajte, da je primeren za uporabo na prostem in ima zadostno kapaciteto toka za vaš izdelek. Električni podaljšek mora biti označen z oznako »H05 RN F« ali »H05 VV F«. Pred vsako uporabo preverite morebitno prisotnost poškodb, kabel za uporabo vedno odvijte, saj se lahko zviti kablji pregrejejo. Poškodovane kableske podaljške zamenjajte z enakovrednimi podaljški. Poškodovanih kableskih podaljškov ne popravljajte.
- Kableskih podaljškov ne približujte premikajočim se nevarnim predmetom, da preprečite poškodbe kableskih podaljškov, ki bi lahko povzročile stik z deli pod napetostjo.
- Prepričajte se, da je napajalni kabel napeljan tako, da ga rezila ne morejo poškodovati in da nanj nič ali nihče ne more pasti, stopiti, se obenj spotakniti ali ga kakor koli poškodovati.
- Izdelka nikoli ne dvigujte in ne prenašajte za električni kabel.
- Ko odstranjujete vtičnik iz vtičnice, nikoli ne vlecite za napajalni kabel.
- Kabel držite proč od vročine, olja ali ostrih robov.
- Prepričajte se, da napetost ustreza vašemu izdelku. Imenska ploščica na izdelku prikazuje napetost izdelka. Nikoli ne priklaplajte izdelka na izmenično napetost, drugačno od navedene.
- Vedno poskrbite, da se kabel, ki vodi od ročaja do ohišja brane, med sestavljanjem ali zlaganjem ročaja ne ujame, priščitne ali drugače poškoduje. Če je kabel poškodovan, izdelka ne vklopite. Izdelek naj servisirajo izključno v pooblaščenem servisnem centru.
- Največja moč napajanja lahko povzroči nihanja napetosti in vpliva na druge električne naprave, priključene v isto omrežje. Izdelek priključite na napajanje z impedanco 0,452Ω (RY1400SF35A, RY1400SF35B) ali manj, da zmanjšate napetostna nihanja. Za podrobnejša navodila se obrnite na svojega dobavitelja električne energije.

VARNOSTNA OPOZORILA ZA ELEKTRIČNO BRANO IN AERATOR

- Zobci brane so ostri. Bodite previdni in nosite močne zaščitne rokavice, kadar nameščate, menjate, čistite ali preverjate pritrditve elementov na izdelku.
- Preverite, ali so vsi vijaki, matice, zapahi in drugi pritrdilni elementi ustrezno pritrjeni in ali so nameščeni ščitniki ter pregrade. Zamenjajte poškodovane ali neberljive oznake.
- Zamenjajte obrabljene ali poškodovane dele, preden

izdelek znova uporabite.

- Pred brazdanjem namestite zbiralno posodo za drobir. Ko se zbiralna posoda za drobir napolni, jo izpraznite in pred nadaljevanjem dela znova namestite.
- Upravljalavec mora izdelek zagnati v položaju za ročaji, ki je zanj najbolj varen. Izdelka ne zaganjajte, če:
 - niso vsa štiri kolesa na tleh;
 - odprtina za odvajanje drobirja je odprta in ni zaščitena z zbiralno posodo za drobir in pokrovom odprtine za odvajanje drobirja.
- Z izdelkom ne upravljajte, če ga s stikalom za vklop/izklop na ročaju ne morete ustrezno zagnati in ustavite izdelek.
- Stikala za vklop/izklop nikoli ne zaklenite v položaju za vklop; to je izredno nevarno.
- Izdelka ne preobremenjujte. Nalogo bo opravila bolje in varneje pri hitrosti, za katero je bila zasnovana.
- Ob prehodu prek prodnatih površin zobce ustavite.
- Bodite še posebej pazljivi pri premikanju vzvratno ali ko vlečete izdelek proti sebi.
- Zobce ustavite, ko je treba izdelek nagniti z namenom transporta, ob prehodu površin, ki niso travnate, in med transportom izdelka v delovno območje in iz njega.
- Izdelka nikoli ne uporabljajte s pokvarjenimi ščitniki in zaščitami ali brez nameščenih varnostnih naprav, na primer deflektorjev in/ali zbiralnih posod za drobir.
- Ne nagibajte izdelka med zagonom motorja, razen če je treba stroj nagniti za zagon. V nujnih primerih lahko privzdignete le del, ki je stran od operaterja. Pred vrnitvijo stroja na tla vedno poskrbite, da sta obe roki v položaju za upravljanje.
- Izdelek previdno vklopite po navodilih in se z rokami ter nogami ne približujte zobcem. Roke in stopala držite stran od vrtečih se delov. Ne približujte se odprtini za praznjenje.
- Nikoli ne dvigujte ali prenašajte izdelka med delovanjem motorja.
- Napajalnega kabla in kableskega podaljška ne približujte zobcem.
- Izdelek izklopite in izključite z napajanja. Prepričajte se, da so se vsi premikajoči se deli popolnoma zaustavili:
 - kadar pustite izdelek nenadzorovan (tudi kadar odstranjujete pokošeno travo).
 - pred čiščenjem blokade ali odmašitvijo izstresišča
 - pred preverjanjem in čiščenjem izdelka ali delom na njem,
 - če zadenete ob tujek; preverite, ali se je naprava poškodovala, in popravite potrebno, preden napravo ponovno zaženete in uporabite,
- Če se izdelek neobičajno tresi, takoj preverite naslednje:
 - pregledajte za primer poškodb
 - zamenjajte ali popravite vse poškodovane dele
 - preverite, ali so kateri koli deli zrahljani in jih privijte
- Izogibajte se luknjam, brazdam, izboklinam, kamnom ali ostalim skritim predmetom. Zaradi neravnega terena vam lahko spodrsne in lahko se poškodujete.
- Ročaj takoj izpusite in se ne približujte izdelku, če:

EN
FR
DE
ES
IT
NL
PT
DA
SV
FI
NO
RU
PL
CS
HU
RO
LV
LT
ET
HR
SL
SK
BG
UK
TR

- izdelek zagori
- je ščitnik in/ali ohišje poškodovan
- zaslišite nenormalen zvok
- pride do nesreče ali okvare

⚠ OPOZORILO

Pred odstranjevanjem ali nameščanjem zbiralne posode za drobir se prepričajte, da so se zobci povsem ustavili.

⚠ OPOZORILO

Ne dotikajte se premikajočih se nevarnih delov, preden izdelek izklopote iz napajanja in se premikajoči se nevarni deli povsem ustavijo.

PREOBREMENITVENA ZAŠČITA

Izdelek ima napravo za prenapetostno zaščito. Ob zaznavanju preobremenitve se izdelek samodejno izklopi. Če se sproži preobremenitvena zaščita, je treba počakati 5 do 10 minut, da se motor ohladi.

Izdelek izklopote in izključite z napajanja. Zobci so ostri; preden se jih dotaknete, si nadenite močne rokavice. Poskrbite, da se zobci lahko neovirano vrtijo in niso zagozdeni ali napeti.

Ko se motor ohladi, vklopote vtič v električno napajanje in vklopote izdelek. Pritisnite gumb start in nato gumb za vklop/izklop za zagon izdelka. Če se izdelek kljub temu ne zažene, ga odnesite na popravilo izključno na pooblaščen servis.

SPLOŠNI NASVETI ZA BRAZDANJE

- Globino rezil nastavite glede na potrebe trate in višino trave.
- Če imate na trati težave z mahom, teden dni pred brazdanjem pokosite travo in nanesite sredstvo za odstranjevanje mahu.
- Nekaj dni pred brazdanjem trato zalijte, da poskrbite, da je trava vlažna, vendar ne pretirano mokra.

TRANSPORT IN SHRANJEVANJE

- Očistite vse tujke z izdelka. Shranite jo na suhem in dobro prezračenem mestu, ki ni na dosegu otrok. Shranjujte proč od korozivnih sredstev, kot so vrtno kemikalije in soli za topljenje ledu. Izdelka ne shranjujte na prostem.
- Za transport zavarujte izdelek pred premiki ali padci, da preprečite poškodbe oseb ali izdelka.

⚠ OPOZORILO

Pri dviganju ali nagibanju naprave za namene vzdrževanja, čiščenja, shranjevanja ali transportiranja bodite izredno previdni. Zobci so ostri; ko so nezaščiteni, se jim ne približujte z deli telesa.

VZDRŽEVANJE

⚠ OPOZORILO

Uporabljajte le originalne rezervne dele in dodatke, ki jih priporoča proizvajalec. V nasprotnem primeru naprava lahko slabo deluje, povzroči poškodbe, garancija pa ne velja več.

⚠ OPOZORILO

Servisiranje zahteva posebno pozornost in znanje in naj jo zato opravlja samo izurjeni servisni tehnik. Izdelek naj servisirajo izključno v pooblaščenem servisnem centru. Pri servisiranju uporabljajte samo originalne nadomestne dele.

- Ko izdelek ustavite z namenom servisiranja, pregleda, shranjevanja ali zamenjave dodatka, izklopote vir napajanja, iztaknite izdelek iz napajalne vtičnice in se prepričajte, da so se vsi premikajoči se deli povsem ustavili. Preden na napravi izvajate preglede, popravila ipd., naj se ta najprej ohladi. Izdelek skrbno vzdržujte in poskrbite, da je vedno čist.
- Redno preverjajte, ali je zbiralna posoda za drobir obrabljena, preluknjana oziroma se je poslabšalo njeno stanje.
- Opravljati smete le nastavitve in popravila, ki so opisana v teh navodilih za uporabo. Za druga popravila ali nasvete se posvetujte s pooblaščenim storitvenim centrom.
- Obrabljene ali poškodovane dele zaradi varnosti redno menjajte. Uporabljajte le originalne rezervne in nadomestne dele.
- Po vsaki uporabi izdelka očistite z mehko in suho krpo. Vsak poškodovani del mora ustrezno popraviti ali zamenjati pooblaščen servisni center.
- Pogosto preverjajte, ali so vse matice in vijaki dobro priviti in tako zagotovite varno delovno stanje izdelka.
- Med nastavljanjem izdelka bodite previdni, da preprečite ujetje prstov med premikajočo se zobce in nepremične dele izdelka.
- Med servisiranjem sestava zobcev se zavedajte, da se sestav zobcev kljub temu, da je vir napajanja izklopljen, lahko še vedno premikajo.
- Zobci izdelka so ostri. Bodite previdni in nosite močne zaščitne rokavice, kadar nameščate, menjate, čistite ali preverjate pritrditve elementov na izdelku.

UVOLŃUJŃCA BLOKOVANIE

- Izdelek izklopote in izključite z napajanja.
- Ko pregledujete in odpravljate zamašitev, vedno uporabljajte odporne zaščitne rokavice. Zobci so ostri in tudi blokado lahko povzročijo oster predmet.
- Odstranite zbiralno posodo drobirja, preverite, ali je prisotna blokada in jo previdno odstranite.
- Preverite, ali so v iztresišču trave prisotne blokade in jih previdno odstranite.
- Izdelek obrnite na bok, preverite njegovo podvozje in

področje okoli zobcev. Morebitne blokade previdno odstranite.

REZIDUALNA TVEGANJA

Tudi če izdelek uporabljate tako, kot je predpisano, še vedno ne moremo izključiti določenih preostalih dejavnikov tveganja. Med uporabo se lahko pojavijo naslednje nevarnosti, upravljalavec pa naj bo pozoren na naslednje:

- Poškodbe zaradi vibracij
 - Pri delu vedno uporabljajte ustrezno orodje. Uporabite namenske ročaje. Omejite trajanje dela in izpostavljenost.
- Poškodbe, ki jih povzroči hrup
 - Izpostavljenost hrupu lahko povzroči poškodbo sluha. Nosite zaščito za sluh in omejite izpostavljenost.
- poškodba zaradi stika z zobci
- Poškodba, ki jo povzročijo leteči predmeti

ZMANJŠANJE TVEGANJA

Ugotovljeno je bilo, da lahko pri nekaterih posameznikih vibracije ročnih orodij povzročijo Raynaudov sindrom. Simptomi so lahko mravljinca, otrplost in pobledele prsti, kar je običajno vidno, kadar je oseba izpostavljena mrazu. Dedni dejavniki, izpostavljenost mrazu in vlagi, dieta, kajenje in delovne navade naj bi pripomogle k razvoju teh simptomov. Za zmanjšanje učinkov vibracij lahko upravljalavec upošteva naslednja navodila:

- Poskrbite, da bo vaše telo na mrazu toplo. Med upravljanjem nosite rokavice in tako ohranjajte toploto vaših dlani in zapestij. Kot poročajo, je mraz glavni dejavnik, ki prispeva k Raynaudovemu sindromu.
- Po vsakem obdobju upravljanja naprave telovadite in tako pospešite krvni obtok.
- Pogosto si vzemite odmor. Omejite dnevno količino izpostavljenosti.

Če zaznavate kakršne koli simptome takšnega stanja, takoj prenehajte z uporabo naprave in se o simptomih posvetujte z zdravnikom.

⚠ OPOZORILO

Daljša uporaba orodja lahko privede do poškodb ali pa so poškodbe lahko hujše. Kadar orodje uporabljate dalj časa, si večkrat vzemite odmor.

SPOZNAJTE SVOJ IZDELEK

Glejte stran 132.

1. Preklopni gumb
2. Ročaji
3. Sprožilci
4. Drog zgornjega ročaja
5. Gumbi
6. Ključ inbus
7. Nastavki za brazdanje
8. Zadnja kolesa
9. Sprednja kolesa
10. Podaljšek
11. Dodatek za aeriranje

12. Ročica za prilagoditev višine
13. Zadnja vrata
14. Zbiralnik drobirja
15. Srednji držalni drog
16. Žična napeljava
17. Kavelj za kabel

SIMBOLI NA IZDELKU



Varnostni alarm



Prosimo, da si pred zagonom naprave pazno preberete navodila.



Nosite zaščito za ušesa



Nosite zaščito za oči



Ne izpostavljajte ga dežju ali vlagi.



Pazite na izvržene ali leteče predmete. Prisotni (še posebej otroci in živali) naj bodo med obratovanjem oddaljeni vsaj 15 m od delovnega območja.



Bodite pozorni na ostre nastavke za brazdanje
Nastavki za brazdanje se po zaustavitvi motorja še naprej vrtijo.
Pred vzdrževanjem ali če je kabel poškodovan, odstranite vtič iz električne vtičnice.



Upogljivi napajalni kabel držite proč od rezil.



Delovna širina: 35 cm



Razred II: Zaščita pred električnim udarom je zasnovana na dvojni izolaciji ali ojačani izolaciji.



Odpadne električne izdelke odlagajte skupaj z ostalimi gospodinjstvi odpadki. Reciklažo opravljajte na predpisanih mestih. Za reciklažni nasvet se obrnite na lokalne oblasti.



Ustreza vsem predpisanim standardom v državi članici EU, kjer je bil kupljen izdelek.



EurAsian oznaka o skladnosti



Ne uporabljajte je na pobočjih z naklonom, večjim od 15°. Na pobočjih se premikajte prečno, nikoli gor in dol.



Ukrajinska oznaka za skladnost



Zajamčena raven zvočne moči na tej oznaki je 100 dB.

SIMBOLI V TEM PRIROČNIKU



Deli ali dodatki so na prodaj ločeno



Opomba



Opozorilo

Sledeče signalne besede in pomeni naj bi pojasnili ravni tveganja, ki so povezane s tem izdelkom.

NEVARNOST

Označuje neizbežno tvegano stanje, ki če se ji ne izognete lahko povzroči smrt ali resno poškodbo.

OPOZORILO

Označuje morebitno tvegano stanje, ki če se ji ne izognete lahko povzroči smrt ali resno poškodbo.

POZOR

Označuje morebitno tvegano stanje, ki če se mu ne izognete lahko povzroči manjšo ali srednje resno poškodbo.

POZOR

Brez simbola za varnostno opozorilo
Prikazuje situacijo, ki lahko povzroči materialno škodo.

Bezpečnosť, efektívnosť a spoľahlivosť boli prvoradáre pri navrhovaní vášho elektrického prevzdušňovača alebo aerátora.

ÚČEL POUŽITIA

Elektrický prevzdušňovač alebo aerátor je určený len na použitie vonku. Počas prevzdušňovania alebo aerácie sa musia všetky štyri kolesá dotýkať zeme.

Tento výrobok je vybavený prevzdušňovacími trhami a bol navrhnutý na prevzdušňovanie domových trávnikov.

Výrobok vybavený aerátorom je navrhnutý na vytváranie otvorov v pôde, aby sa znížilo zhutnenie pôdy.

Tento výrobok je chodcom ovládaný, z elektrickej siete napájaný prevzdušňovač navrhnutý na ručné tlačenie. Tento výrobok sa nesmie ťahať ani sa nesmie na ňom jazdiť. Nesmie sa používať na strihanie iných ako domácich trávnikov.

Nepoužívajte na žiadne iné účely.

VŠEOBECNÉ BEZPEČNOSTNÉ VÝSTRAHY PRE MECHANICKÉ NÁSTROJE

VAROVANIE

Pri používaní tohto produktu sa musia dodržiavať bezpečnostné zásady. Pre vašu vlastnú bezpečnosť a bezpečnosť okolostojacich osôb si pred použitím produktu prečítajte tento návod. Odložte si tento návod na neskoršie použitie.

OSOBNÁ BEZPEČNOSŤ

- Tento výrobok dokáže amputovať ruky alebo nohy a odhadzovať predmety. Pochybenie pri dodržiavaní bezpečnostných pokynov tak môže spôsobiť vážny úraz alebo usmrtenie.
- Oboznámte sa s ovládacími prvkami a správnu obsluhu produktu.
- Nikdy nedovoľte deťom alebo osobám so zníženými fyzickými, duševnými alebo zmyslovými schopnosťami alebo osobám, ktoré nie sú oboznámené s týmto návodom, obsluhovať, čistiť alebo vykonávať údržbu tohto produktu. Miestne platné predpisy môžu obmedzovať dobu použitia kosačky. Deti musia byť pod primeraným dozorom, aby sa nemohli s produktom hrať.
- Pri práci so zariadením buďte ostražití, sledujte, čo robíte a používajte zdravý rozum. Nepoužívajte tento produkt, keď ste unavení, chorí alebo pod vplyvom, alkoholu, drog alebo liekov. Po oddelení akumulátora od kosačky zapojte konektor nabíjačky do zásuvky na akumulátore.
- Používajte hrubé dlhé nohavice, odev s dlhými rukávami a masívnu nešmykľavú obuv. Nenoste krátke nohavice a sandály ani nechodte naboso. Nenoste odev, ktorý je voľný alebo má voľne visiace šnúry či pútky.
- Vždy noste bezpečnostné okuliare s bočným ochranným štítom.
- Nepreceňujte sa. Vždy dbajte na pevnú oporu nôh, najmä na svahoch. Udržujte bezpečný postoj a

rovnováhu. Chodte krokom, nikdy nebežte.

- Produkt používajte na svahoch krížom, nikdy nie nahor a nadol. Ak meníte smer, buďte veľmi opatrní.
- Produkt nepoužívajte v blízkosti prudkých svahov, priekop, veľmi strmých svahov alebo násypov. Nedostatočne stabilný postoj môže byť príčinou uklznutia a pádu.

PRACOVNÝ PRIESTOR

- Keď sa v blízkosti nachádzajú iné osoby, najmä deti alebo domáce zvieratá, nepoužívajte nástroj.
- Predmety, na ktoré narazia hroty prevzdušňovača, môžu osobám spôsobiť vážne poranenia. Dôkladne skontrolujte priestor, kde sa má zariadenie používať a odstráňte všetky kamene, paličky, kov, dróty, kosti, hračky a iné cudzie predmety.
- Produkt používajte len na dennom svetle alebo pri dostatočnom umelom osvetlení.
- Nepracujte so zariadením vo výbušných atmosférach, napríklad v blízkosti zápalných tekutín, plynov alebo prachu. Zariadenie môže vytvárať iskry, ktoré môžu podpáliť takýto prach alebo výpar.
- Nepracujte so zariadením na mokrej tráve alebo v daždi.
- Nepracujte so strojom na dláždenom alebo štrkovom povrchu, kde by vyrážaný materiál mohol spôsobiť poranenie.
- Výrobok prevádzkujte len na rovnom povrchu; obsluhuje sa dvomi rukami, pričom obsluha musí byť za riadidlami.
- Zabráňte používaniu prevzdušňovača za zlého počasia, hlavne ak existuje riziko výskytu bleskov.
- Užívateľ alebo obsluha stroja sú zodpovední za nehody alebo škody na majetku a za nebezpečenstvo vzniknuté pri prevádzke stroja.
- Tragické nehody môžu nastať ak nie je obsluha upozornená na prítomnosť detí. Nikdy sa nespoliehajte na to, že deti ostanú tam, kde ste ich naposledy videli.
- Deťom zabráňte v prístupe na plochu kosenia a zabezpečte, aby na ne dávala pozor zodpovedná dospelá osoba, nie obsluha, ktorá upozorní na nutnosť vypnutia výrobku, ak dieťa vstúpi na plochu.
- Maximálny pozor dávajte pri približovaní k slepým rohom, kríkom, stromom či iným predmetom s previsajúcimi vetvami, ktoré môžu brániť vášmu výhľadu.

ELEKTRICKÁ BEZPEČNOSŤ

- Elektrické zástrčky musia zodpovedať zásuvke. Zástrčku nikdy žiadnym spôsobom neupravujte. S uzemnenými mechanickými nástrojmi nepoužívajte rozdvojné zásuvky. Použitím neupravených zástrčiek a zodpovedajúcich zásuviek sa znižuje riziko úrazu elektrickým prúdom.
- Dbajte na to, aby nedochádzalo k neúmyselnému spusteniu. Pred zapojením produktu do elektrickej siete vždy skontrolujte, či je spínač vo vypnutej polohe (OFF). Neprenášajte zapojený produkt s prstom nachádzajúcim sa na spínači.
- Vyhybajte sa telesnému kontaktu s uzemnenými

EN
FR
DE
ES
IT
NL
PT
DA
SV
FI
NO
RU
PL
CS
SK
BG
UK
TR

povrchmi, napríklad rúrami, radiátormi, sporákmi a chladničkami. Ak je vaše telo uzmenené, hrozí vysoké riziko úrazu elektrickým prúdom.

- Nevystavujte produkt dažďu ani mokrému prostrediu. Voda, ktorá vnikne do zariadenia, zvyšuje riziko úrazu elektrickým prúdom.
- Elektrické napájanie musí byť privádzané cez zariadenie pre zvyškový prúd s vypínacím prúdom maximálne 30 mA.
- Skontrolujte, napájací a predlžovací kábel, či nie sú poškodené alebo opotrebené. Ak sa kábel pri používaní poškodí, okamžite ho odpojte z elektrickej siete. Poškodené káble môžu spôsobiť kontakt s časťami pod napätím. **Pred odpojením napájania sa nedotýkajte kábla.** Nástroj nepoužívajte, ak je kábel poškodený alebo opotrebovaný.
- Ak dôjde k poškodeniu sieťového kábla, musí ho vymeniť odborné spôsobilá osoba s použitím novej súpravy kábla od výrobcu. Opomenutie dodržať tento pokyn môže mať za následok vážne poranenie vašej osoby alebo iných osôb vrátane zasiahnutia elektrickým prúdom.
- Ak potrebujete použiť predlžovací kábel, dbajte na to, aby bol vhodný na použitie v exteriéri a mal prúdovú kapacitu dostatočnú na napájanie vášho produktu. Predlžovací kábel musí mať označenie „H05 RN F“ alebo „H05 VV F“. Pred každým použitím skontrolujte káble, či nedošlo k poškodeniu a počas používania ich vždy odvíjajte, lebo zavinuté káble sa môžu prehrievať. Poškodené predlžovacie káble vymeňte za rovnocenný typ. Poškodené predlžovacie káble neopravujte.
- Predlžovacie káble treba viesť mimo pohybujúcich sa nebezpečných častí, aby nedošlo k poškodeniu káblov, čo by mohlo viesť k dotyku s časťami pod napätím.
- Dbajte na to, aby bol napájací kábel umiestnený tak, aby ho nebolo možné poškodiť prerezaním, aby naň nikto nestúpil, nezakopol oň, ani ho inak nepoškodil alebo nenamáhal.
- Produkt nikdy nedvíhajte ani neprenášajte za elektrický kábel.
- Nástroj nikdy neodpájajte z elektrickej siete tahaním za napájací kábel.
- Napájací kábel nedávajte do blízkosti tepla, oleja alebo ostrých okrajov.
- Skontrolujte, či je napätie správne pre váš produkt. Firemný štítok na produkte uvádza napätie jednotky. Zariadenie nikdy nepripájajte k striedavému napätiu inému, ako je uvedené napätie.
- Kábel vedúci od riadičiek k telu prevzdušňovača sa počas montáže alebo sklopenia riadičiek nesmie zachytiť, privrieť ani inak poškodiť. Ak je kábel poškodený, nikdy nezapínajte napájanie výrobku. Servis výrobku zverte len autorizovanému servisnému stredisku.
- Napájacia špička spôsobí fluktuácie napätia a môže mať vplyv na ostatné elektrické zariadenia na rovnakom elektrickom vedení. Produkt pripojte do elektrickej siete s impedanciou max. 0,452Ω (RY1400SF35A, RY1400SF35B), minimalizujete tak fluktuácie napätia. Blížšie vysvetlenie žiadajte od vášho dodávateľa elektrickej energie.

BEZPEČNOSTNÉ VÝSTRAHY PRE ELEKTRICKÝ PREVZDUŠŇOVAČ A AERÁTOR

- Hroty výrobku sú ostré. Pri montáži, výmene, čistení alebo kontrole zaistenia maticových skrutiek buďte opatrní a používajte pevné rukavice.
- Skontrolujte, že sú všetky skrutky, matice, maticové skrutky a iné upevňovacie prvky riadne zaistené a že ochranné kryty a mriežky sú na mieste. Poškodené alebo nečitateľné štítky vymeňte.
- Pred použitím produktu vymeňte všetky opotrebené alebo poškodené diely.
- Pred prevzdušňovaním nainštalujte lapač na úlomky. Plný lapač na úlomky vyprázdňte a pred obnovením činnosti ho znova nainštalujte.
- Produkt sa musí štartovať tak, aby užívateľ stál sa riadičmi v bezpečnej zóne obsluhy. Produkt nikdy neštartujte, ak:
 - všetky štyri kolieska nie sú na zemi,
 - Žľab na vyprázdňovanie úlomkov je odhalený a nie je chránený lapačom na úlomky ani krytom žľabu na vyprázdňovanie úlomkov.
- Produkt nikdy nepoužívajte, ak hlavný spínač na riadičoch nespúšťa a nezastavuje produkt správne.
- Hlavné vypínače nikdy nezaistujte v zapnutej polohe; je to mimoriadne nebezpečné.
- Na nástroj nevyvíjajte silu. Svoju úlohu splní lepšie a bezpečnejšie, keď s ním budete pracovať pri rýchlosti, pre ktorú je určený.
- Počas prechodu cez štrkové povrchy zastavte hroty.
- Pri obracaní alebo ťahaní produktu smerom k sebe buďte mimoriadne opatrní.
- Hroty zastavte, ak musíte výrobok nakloniť kvôli doprave počas prechodu cez povrchy iné než je tráva, a pri doprave výrobku na a z miesta výkonu práce.
- Výrobok nikdy nepoužívajte, ak má poškodené kryty alebo štíty, ani bez nainštalovaných bezpečnostných zariadení, napr. vyčyhľovačov alebo lapača na úlomky.
- Pri zapínaní motora nikdy nenakláňajte výrobok, len ak ho treba kvôli naštartovaniu nakloniť. Ak je to absolútne potrebné, zdvihnúť môžete časť, ktorá je ďalej od obsluhy. Pred návratom stroja na pôdu majte vždy obe ruky v prevádzkovej polohe.
- Opatrne zapnite výrobok podľa predpisov a udržiajte ruky aj nohy mimo hrotov. Nedávajte ruky alebo nohy do blízkosti rotujúcich dielov ani pod ne. Výstupné otvory musia byť vždy čisté.
- Produkt nikdy nedvíhajte ani neprenášajte, keď motor beží.
- Napájací a predlžovací kábel chráňte pred hrotmi.
- Vypnite produkt a odpojte ho z elektrickej siete. Skontrolujte, či sa všetky pohyblivé diely úplne zastavili:
 - vždy, keď necháte produkt bez dozoru (aj pri likvidácii odrezkov trávy).
 - pred odstránením zablokovania či uvoľnením zaneseného žľabu na vyprázdňovanie
 - pred kontrolou, čistením alebo prácou na zariadení
 - po zásahu cudzím predmetom – pred opätovným spustením a použitím zariadenia skontrolujte, či

zariadenie nie je poškodené a v prípade potreby vykonajte opravy.

- Ak výrobok začne neštandardne vibrovať, ihneď ho skontrolujte na:
 - skontrolujte poškodenia
 - všetky poškodené diely vymeňte alebo opravte
 - skontrolujte a utiahnite prípadne uvoľnené diely
- Vyhýbajte sa dierám, vyjazdeným koľajám, vyvýšeninám, kameňom, alebo iným skrytým predmetom. Nerovný terén môže byť príčinou poklznutia a pádu.
- Rukovať okamžite pusťte a postavte sa v bezpečnej vzdialenosti od výrobku ak:
 - začne výrobok horieť
 - dôjde k poškodeniu chrániča a/alebo skrine
 - vydáva neštandardný zvuk
 - môže dôjsť k nehode alebo poškodeniu

VAROVANIE

Pred demontážou alebo inštaláciou lapača na úločky počkajte na úplné zastavenie hrotov.

VAROVANIE

Nedotýkajte sa pohybujúcich sa nebezpečných častí pred odpojením výrobku od napájania a až do úplného zastavenia nebezpečných pohyblivých častí.

ZARIADENIE NA OCHRANU PRED PREŤAŽENÍM

Výrobok má ochranné zariadenie proti preťaženiu. Pri zistení preťaženia sa výrobok automaticky vypne. Ak dôjde k aktivovaniu ochrany pred preťažením, je nutné nechať motor počas 5 až 10 minút vychladnúť.

Vypnite produkt a odpojte ho z elektrickej siete. Hroty sú ostré, preto pred dotýkaním si nasadte hrubé rukavice. Hroty sa musia voľne otáčať, nesmú byť zaseknuté ani nadmerne utiahnuté.

Po ochladnutí motora zapojte zástrčku do sieťového zdroja a výrobok zapnite. Produkt spustíte stlačením odomykacieho tlačidla a potom hlavného spínača. Ak výrobok nenaštartuje, požiadajte autorizované servisné stredisko o vykonanie servisu.

VŠEOBECNÉ TIPY NA PREVZDUŠŇOVANIE

- Hĺbku zárezu upravte podľa potrieb trávnik a výšky trávy.
- Ak sa v trávniku vyskytuje mach, týždeň pred plánovaným prevzdušňovaním trávnik pokoste a aplikujte prípravok na ničenie machu.
- Zopár dní pred prevzdušňovaním trávnik polejte, aby bol vlhký, no nie premoknutý.

PREPRAVA A SKLADOVANIE

- Odstráňte zo zariadenia všetky cudzie materiály. Odložte ho na suché a dobre vetrané miesto, na ktoré nemajú prístup deti. Nedávajte zariadenie do blízkosti

korózných činidiel, ako sú záhradné chemikálie a rozmrazovacie soli. Výrobok neuchovávajte vonku.

- Pri preprave zaistite produkt pred pohybom alebo pádom, aby nedošlo k poraneniu osôb alebo poškodeniu produktu.

VAROVANIE

Pri dvíhaní alebo nakláňaní zariadenia za účelom údržby, čistenia, uskladnenia alebo prepravy buďte veľmi opatrní. Hroty sú ostré, preto majte všetky časti tela mimo hrotov, kým sú nechránené.

ÚDRŽBA

VAROVANIE

Používajte len originálne náhradné diely, príslušenstvo a nástavce výrobcu. V opačnom prípade môže dôjsť k možnému poraneniu, nedostatočnému výkonu a strate platnosti záruky.

VAROVANIE

Údržba vyžaduje extrémnu starostlivosť a znalosti, a musí byť prevádzkaná výhradne v autorizovanom servise. Servis výrobku zverte len autorizovanému servisnému stredisku. Pri servise používajte len originálne náhradné diely výrobcu.

- Po zastavení výrobku na vykonanie servisu, kontroly alebo uskladnenia či výmenu príslušenstva vypnite zdroj napájania, odpojte výrobok od napájania a počkajte na úplné zastavenie všetkých pohyblivých častí. Predtým, ako vykonáte akékoľvek kontroly, úpravy a pod., nechajte stroj úplne vychladnúť. Vykonávajte pozornú údržbu výrobku a uchovávajte ho v čistote.
- Pravidelne kontrolujte lapač na úločky, či nevykazuje opotrebovanie, otvory alebo poškodenie.
- Môžete vykonávať úpravy a opravy popísané v tejto príručke. Pri ostatných opravách alebo ak potrebujete radu, vyhľadajte pomoc v autorizovanom servisnom centre.
- Z bezpečnostných dôvodov vymeňte všetky opotrebené alebo poškodené diely. Používajte len originálne náhradné diely a príslušenstvo.
- Po každom použití vyčistite produkt mäkkou suchou tkaninou. Akýkoľvek poškodený diel sa musí náležite opraviť alebo vymeniť v autorizovanom servisnom centre.
- Skontrolujte všetky skrutky, matice v častých intervaloch či sú riadne utiahnuté, aby sa zaistila bezpečná prevádzka produktu.
- Počas nastavovaní výrobku dávajte pozor, aby ste predišli zachyteniu prstov medzi pohybujúce sa hroty a pevné časti výrobku.
- Pri servise zostavy hrotov si uvedomte, že napriek tomu, že je zdroj napájania vypnutý, zostava hrotov sa

stále ešte môže pohybovať.

- Hroty výrobku sú ostré. Pri montáži, výmene, čistení alebo kontrole zaistenia matcových skrutiek buďte opatrní a používajte pevné rukavice.

UVOLŇUJÚCA BLOKOVANIE

- Vypnite produkt a odpojte ho z elektrickej siete.
- Pri kontrole a čistení zablokovania vždy používajte pevné ochranné rukavice. Hroty sú ostré a samotný predmet zablokovania môže byť ostrý.
- Demontujte lapač na úlomky, skontrolujte a opatrne odstráňte upchanie.
- Vyprazdňovací žľab trávy skontrolujte a opatrne z neho odstráňte zablokovanie.
- Otočte výrobok nabok, skontrolujte spodok výrobku a oblasť okolo hrotov. Ak nájdete nejaké zablokovanie, opatrne ho odstráňte.

ZVÝŠKOVÉ RIZIKÁ

Aj keď sa nástroj používa podľa predpisu, nie je možné eliminovať určité zvyškové rizikové faktory. Pri použití vznikajú nasledujúce riziká a obsluhujúca osoba musí venovať zvláštnu pozornosť, aby nedošlo k nasledovnému:

- Zranenie spôsobené vibráciami
 - Vždy používajte správny nástroj pre danú úlohu. Používajte určené rukoväti. Obmedzte dĺžku pracovného času a vystavenie účinkom.
- Zranenie spôsobené hlukom
 - Vystavovanie hluku môže spôsobiť poranenie sluchu. Používajte ochranu sluchu a obmedzte expozíciu.
- poranenie pri kontakte s trfmi
- Poranenia spôsobené odhadzovanými predmetmi

OBMEDZENIE RIZIKA

Boli hlásené prípady, kedy vibrácie z ručných nástrojov u niektorých osôb prispeli k stavu nazývanému Raynaudov syndróm. K symptómom patria: trpnutie, znecitlivenie a blednutie prstov, zvyčajne zjavné po vystavení zime. Je známe, že k vývoju týchto symptómov prispievajú: dedičné faktory, vystavovanie zime a vlhkosti, diéta, fajčenie a pracovné návyky. Opatrenia, ktoré môže vykonať obsluhujúca osoba na možné zníženie účinkov vibrácií:

- V studenom počasí udržiavajte svoje telo v teple. Pri práci s produktom noste rukavice, aby ste mali ruky a zápästia v teple. Boli hlásené prípady, kedy hlavným faktorom prispievajúcim k Raynaudovmu syndrómu bolo studené počasie.
- Po každom určitom časovom úseku prevádzky cvičte, aby ste zlepšili krvný obeh.
- Počas práce si doprajte časté prestávky. Obmedzte počet vystavení za deň.

Ak zistíte ktorýkoľvek zo symptómov tohto stavu, okamžite prerušte používanie zariadenia, navštívte svojho lekára a povedzte mu o symptómoch.

VAROVANIE

Pri dlhodobom alebo zvýšenom používaní môže dôjsť k zraneniam. Pri používaní nástroja príliš dlhé obdobia si vždy doprajte pravidelné prestávky.

OBOZNÁMTE SA S VAŠIM PRODUKTOM

Pozrite stranu 132.

1. Tlačidlo vypínača
2. Držadlá rúčky
3. Spínače
4. Tyč hornej rúčky
5. Gombíky
6. Imbusový kľúč
7. Trne
8. Zadné kolesá
9. Predné kolesá
10. Predlžovací kábel
11. Aerátor
12. Páka nastavenia výšky
13. Zadné dvierka
14. Lapač úlomkov
15. Tyčka strednej rúčky
16. Kabeláž
17. Hák na kábel

SYMBOLY NA PRODUKTE



Výstražná značka



Pred zapnutím zariadenia si prosím prečítajte inštrukcie.



Používajte chrániče sluchu



Používajte chrániče zraku



Nevystavujte dažďu ani nepoužívajte vo vlhkom prostredí.



Pozor na vymrštené alebo odletujúce objekty. Všetky okolostojace osoby (najmä deti a domáce zvieratá) musia stať minimálne 15 m od miesta práce



Dávajte pozor na ostré trne. Trne sa budú po vypnutí motora stále otáčať. Pred údržbou alebo pri poškodení kábla odpojte zástrčku z elektrickej siete.



Ohybný napájací kábel nedávajte do blízkosti rezacích hrotov.



Pracovná šírka: 35 cm



Trieda II: Ochrana pred úrazom elektrickým prúdom je založená na dvojitej alebo zosilnenej izolácii.



Opotrebované elektrické zariadenia by ste nemali odhadzovať do domového odpadu. Prosíme o recykláciu ak je možné. Kontaktujte miestne úrady, alebo predajcu pre viac informácií ohľadom ekologického spracovania.



Vyhovuje všetkým regulačným normám v krajine EÚ, v ktorej bol výrobok zakúpený.



Euroázijská značka zhody



Nepracujte na svahoch strmších ako 15°. Produkt používajte na svahoch krížom, nikdy nie nahor a nadol.



Ukrajinské označenie zhody

001



Garantovaná hladina akustického výkonu, uvedená na tomto štítku, je 100 dB.

SYMBOLY V TOMTO NÁVODE



Diely alebo príslušenstvo predávané samostatne



Poznámka



Varovanie

Nasledujúce značky a významy vysvetľujú úroveň rizika spojeným s výrobkom.

⚠ NEBEZPEČENSTVO

Označuje bezprostredne nebezpečnú situáciu, ktorá môže vyústiť v smrť, alebo vážne zranenie.

⚠ VAROVANIE

Označuje potenciálne nebezpečnú situáciu, ktorá môže vyústiť v smrť, alebo vážne zranenie.

⚠ VÝSTRAHA

Označuje potenciálne nebezpečnú situáciu, ktorá môže vyústiť v ľahké, alebo stredne ťažké zranenie.

VÝSTRAHA

Bez symbolu bezpečnostného alarmu
Označuje situáciu, ktorá môže zapríčiniť poškodenie majetku.

EN
FR
DE
ES
IT
NL
PT
DA
SV
FI
NO
RU
PL
CS
HU
RO
LV
LT
ET
HR
SL
SK
BG
UK
TR

Безопасността, работните характеристики и надеждността имат най-висок приоритет при проектирането на вашия електрически скарификатор или аератор.

ПРЕДНАЗНАЧЕНИЕ

Електрическият скарификатор или аератор е предназначен за употреба само на открито. И четирите колелета трябва да се допират до земята по време на скарифициране или аериране.

Продуктът, оборудван със зъбци за скарифициране, е предназначен за скарифициране на домашни тревни площи.

Продуктът, оборудван с приставка на аератор, е предназначен за създаване на дупки в почвата с цел намаляване на сбиването ѝ.

Продуктът е лещеходно управляван скарификатор за тревни площи, работещ с ток от електрически контакт, предназначен да бъде бутан с ръце. Продуктът не трябва да се дърпа и не трябва да се сяда върху него. Не трябва да се използва за рязане на друго освен домашни тревни площи.

Не го използвайте за никакви други цели.

ОСНОВНИ ПРЕДУПРЕЖДЕНИЯ ЗА БЕЗОПАСНОСТ ПРИ РАБОТА С ЕЛЕКТРИЧЕСКИ ИНСТРУМЕНТИ

⚠ ПРЕДУПРЕЖДЕНИЕ

При използване на продукта трябва да се спазват правилата за безопасност. За осигуряване на вашата безопасност и тази на страничните наблюдатели прочетете тези инструкции, преди да работите с продукта. Съхранявайте ръководството за експлоатация на сигурно място, за да можете да го ползвате и по-късно.

ЛИЧНА БЕЗОПАСНОСТ

- Продуктът може да отреже крак или ръка, както и да изхвърля предмети. Съблюдавайте всички инструкции за безопасност. В противен случай може да се стигне до сериозни физически наранявания или смърт.
- Запознайте се с контролите за управление и правилното използване на продукта.
- Никога не позволявайте на деца, на хора с ограничени физически, сетивни или умствени способности и на хора, които не са запознати с тези инструкции, да работят и да извършват дейности по почистване и поддръжка на продукта. Местните наредби могат да налагат ограничения за възрастта на оператора. Децата трябва да бъдат внимателно надзиравани, за да се гарантира, че не си играят с продукта.
- Бъдете бдителни, внимавайте какво правите и проявявайте благоразумие, когато боравите с уреда. Не използвайте тази машина, ако сте уморени, болни или под влиянието на алкохол, наркотици или лекарства. Миг невнимание при

работа с машината може да доведе до сериозно физическо нараняване.

- Носете тежки, дълги панталони, дрехи с дълги ръкави и здрави обувки против хлъзгане. Не носете шорти, сандали и не ходете боси. Избягвайте носенето на широки дрехи или дрехи с висящи шнурове или вратовръзки.
- Винаги по време на работа носете защитни очила със странични екрани.
- Не се протягайте, за да работите на трудно достижими места. Винаги стъпвайте внимателно и стабилно, особено на стръмни повърхности. Заемайте стабилна позиция и пазете баланс. Вървете, никога не тичайте, когато косите.
- Върху наклонени терени работете с продукта на пряко повърхността, никога нагоре и надолу. Бъдете особено бдителни при смяна на посоката на наклона.
- Не използвайте уреда в близост до насипи, канавки, прекалено стръмни повърхности или диги. Нестабилността по време на работа може да доведе до подхлъзване и падане.

БЕЗОПАСНОСТ НА РАБОТНАТА ЗОНА

- Никога не използвайте инструмента, докато наблизо има хора, особено деца или домашни любимци.
- Обектите, ударени от зъбците на скарификатора може, може да причинят сериозни физически наранявания. Проверете внимателно зоната, където ще се използва машината, и отстранете всички камъни, пръчки, метални предмети, кабели, кости, играчки или други чужди предмети.
- Използвайте продукта само на дневна светлина или при добро изкуствено осветление.
- Не работете с машината в среда с повишена опасност от възникване на експлозия, в близост до леснозапалими течности, газове или прахообразни материали. По време на работа инструментът може да произведе искри, които да възпламенят прах или пари.
- Не работете с машината върху влажна трева или при дъжд.
- Не използвайте тази машина на павирана или чакълеста повърхност, където изхвърлен материал може да причини нараняване.
- Използвайте продукта само на хоризонтална повърхност с две ръце, като операторът трябва да е зад кормилото.
- Не използвайте скарификатора при лоши атмосферни условия особено ако има риск от гръмотевици.
- Трябва да знаете, че операторът или потребителят е отговорен за причиняването на злополуки или щети на други лица или имущество.
- Операторът трябва да е винаги нащрек в присъствието на деца, за да се избегнат трагични инциденти. Не мислете, че децата ще стоят дълго на мястото, където сте ги видели за последно.
- Пазете децата от зоната за косене и под зорката грижа на отговорен възрастен, различен от

оператора, бъдете бдителни и изключете косачката, ако в зоната навлезе дете.

- Бъдете допълнително внимателно при приближаване спели завои, храсти, дървета или други предмети, включително надвиснали храсти, които могат да попречат на видимостта ви.

ЕЛЕКТРИЧЕСКА БЕЗОПАСНОСТ

- Щепселът на инструмента трябва да е съвместим с контакта. В никакъв случай не внасяйте изменения в конструкцията на щепсела. Когато работите със занулен електрически инструменти, не използвайте адаптери за щепсела. Използването на оригиналните щепсели и контакти намалява риска от токов удар.
- Избягвайте неволно стартиране. Винаги проверявайте дали превключвателят е на позиция OFF („Изключено“), преди да включите продукта в захранването. Не носете включен инструмент докато пръстът Ви е на бутона.
- Избягвайте допир със заземени повърхности, като тръби, радиатори, печки и хладилници. Когато тялото ви е заземено, рискът от възникване на токов удар е по-голям.
- Не излагайте продукта на дъжд или влажни условия. Проникването на вода в уреда повишава риска от токов удар.
- Уредът трябва да бъде захранван чрез прекръсвач за защитно изключване, пропускащ ток не повече от 30 mA.
- Преди употреба проверете захранването и захранващия кабел за следи от щети и износване. Ако кабелът се повреди по време на работа, внимателно издърпайте кабела от електричеството. Повредените кабели могат да доведат до контакт с компоненти, по които тече ток. **Не докосвайте кабела, преди да изключите захранването.** Не използвайте инструмента, ако кабелът е повреден или износен.
- Ако захранващият кабел е повреден, той трябва да се смени от лице с професионална квалификация за това с нов кабел, с който можете да се снабдите от производителя. Неспазването на тази инструкция може да доведе до сериозно наранявания за вас и други хора, включително и до токов удар.
- Ако е необходимо да използвате удължаващ кабел, проверете дали той е подходящ за работа на открито или дали токовият му капацитет е достатъчен за захранване на вашия продукт. Удължаващият кабел трябва да има маркировка „H05 RN F“ или „H05 VV F“. Преди всяко използване проверявайте кабела за повреди, а при работа винаги го развивайте, защото неразвитите кабели могат да прегреят. Сменете повредените удължаващи кабели с еквивалентни такива. Не поправяйте повредени удължаващи кабели.
- Дръжте удължаващите кабели далеч от движещите се опасни части, за да избегнете повреди на кабелите, което може да доведе до контакт с електризирани компоненти.
- Внимавайте захранващият кабел да не е на места,

където може да бъде повреден от режещите устройства, настъпен, прегазен или изложен по друг начин на повреда или напрежение.

- Никога не вдигайте и не носете продукта за електрическия кабел.
- Никога не дърпайте захранващия кабел, за да изключите инструмента от електричеството.
- Дръжте захранващия кабел далеч от топлина, масло и остри предмети.
- Уверете се, че използваното напрежение е правилно за вашия продукт. На табелката с характеристиките на продукта, можете да видите напрежението му. Никога не свързвайте уреда към променлив ток с различно от посоченото напрежение.
- Винаги се уверявайте, че кабелът от кормилото до корпуса на скарификатора не е захванат, прещипан или повреден по някакъв начин по време на слобяването или съването на ръкохватката. Никога не подавайте ток към продукта, ако кабелът е повреден. Продуктът трябва да бъде ремонтиран само в упълномощен сервиз.
- Промяна в захранването може да предизвика отклонения в напрежението, които от своя страна могат да повлияят върху електрическите продукти, намиращи се в същата верига. Свържете продукта към електрозахранване с импеданс по-малък или равен на 0,452Ω (RY1400SF35A, RY1400SF35B), за да сведете до минимум промените в напрежението. Свържете се с вашия доставчик на електроенергия за допълнителни разяснения.

ПРЕДУПРЕЖДЕНИЯ ЗА БЕЗОПАСНОСТ ПРИ РАБОТА С ЕЛЕКТРИЧЕСКИ СКАРИФИКАТОРА И АЕРАТОР

- Зъбите на продукта са остри. Бъдете внимателни и носете здрави предпазни ръкавици, когато затягате, подменяте, почиствате или инспектирате болтовете.
- Проверете дали всички винтове, гайки, болтове и други крепежни елементи са правилно закрепени, както и дали са поставени предпазителите и преградите. Заменете повредените или нечетими етикети.
- Подменяйте износените или повредените части, преди да работите с уреда.
- Преди скарифициране монтирайте коша за отпадъци. Изпразнете коша за отпадъци, когато се напълни, и го поставете обратно, преди да възобновите работа.
- При стартиране на продукта потребителят трябва да е заел позиция зад ръкохватките, където е зоната за безопасност на оператора. Никога не стартирайте продукта, ако:
 - всичките четири колелата не са в плътен контакт със земната повърхност
 - Улеят за отвеждане на отпадъци е изложен и не е защитен от коша за отпадъци и капака на улея за отвеждане на отпадъци.
- Никога не работете с продукта, ако превключвателят

EN
FR
DE
ES
IT
NL
PT
DA
SV
FI
NO
RU
PL
CS
HU
RO
LV
LT
ET
HR
SL
SK
BG
UK
TR

за включване/изключване от ръкохватката не стартира и не спира правилно продукта.

- Никога не фиксирайте превключвателите във включено положение; това е изключително опасно.
- Не насилвайте продукта. Той ще свърши работата по-добре и по-безопасно в зададения от производителя диапазон на натоварване.
- Спрете движението на зъбците, когато преминавате през чакълести повърхности.
- Бъдете изключително внимателни, когато обръщате или издърпвате продукта към Вас.
- Спрете движението на зъбците, ако се налага продуктът да бъде наклонен за транспортиране при преминаване на повърхности, различни от трева, както и при транспортиране на продукта до и от работната зона.
- Никога не използвайте продукта, ако има дефектни предпазители или прегради или без да са поставени защитни устройства, като например отклонители и/или кош за отпадъци.
- Не наклонявайте продукта, когато включвате двигателя, освен ако машината не трябва да се наклони, за да бъде стартирана. Ако е абсолютно необходимо, можете да повдигнете само частта, която е по-далеч от оператора. Винаги се уверявайте, че и двете ръце са в работна позиция, преди да върнете машината на земята.
- Включете внимателно продукта съгласно инструкциите и дръжте ръцете и краката далеч от зъбците. Не поставяйте ръцете или краката си близо до или под въртящите се части. Винаги стойте далеч от улея за изхвърляне.
- Никога не вдигайте и не носете продукта, докато моторът му работи.
- Захранващият и удължаващият кабели трябва да са далеч от зъбците.
- Спрете продукта и го изключете от захранването. Уверете се, че всички движещи се части са спрели напълно:
 - когато оставяте продукта без надзор (включително, за да изхвърлите тревните отрязъци);
 - преди почистване на запушване или отпушване на отвеждащия улей
 - преди проверка, почистване или работа по уреда
 - след сблъсък с друг предмет; инспектирайте уреда за повреди и извършете необходимите поправки, преди да рестартирате машината и да я използвате отново.
- Ако машината започне да вибрира необичайно, незабавно проверете:
 - огледайте повредата
 - заменете или ремонтирайте всички повредени детайли
 - проверете има ли незатегнати детайли и при необходимост ги затегнете
- Избягвайте дупки, бразди, издутини, камъни или други скрити предмети. Неравният терен може да

доведе до подхлъзване и падане.

- Отпуснете ръкохватката незабавно и се отдалечете от продукта, ако:
 - продуктът се запали
 - предпазителят и/или корпусът са повредени
 - се чуват необичайни звуци
 - възникне инцидент или повреда

⚠ ПРЕДУПРЕЖДЕНИЕ

Уверете се, че зъбците са напълно спрени, преди да извадите или поставите коша за отпадъци.

⚠ ПРЕДУПРЕЖДЕНИЕ

Не докосвайте опасни движещи се компоненти, докато продуктът е включен към електрическата мрежа и преди опасните движещи се компоненти да са спрели напълно.

ПРЕДПАЗНО УСТРОЙСТВО СРЕЩУ ПРЕТОВАРВАНЕ

Машината има предпазно устройство срещу претоварване. Когато се открие претоварване, машината ще се изключи автоматично. Ако предпазното устройство срещу претоварване е задействано, моторът трябва да бъде оставен да изстине за 5 до 10 минути.

Спрете продукта и го изключете от захранването. Зъбците са остри, така че носете здрави предпазни ръкавици, когато ги докосвате. Уверете се, че зъбците могат да се въртят свободно и не са заклинени или затегнати.

Когато моторът се охлади, свържете щепсела към електрическото захранване и включете продукта. Натиснете бутона „Старт“ и след това бутона за включване/изключване, за да стартирате уреда. Ако продуктът все още не се стартира, трябва да бъде ремонтиран само в упълномощен сервис.

ОБЩИ СЪВЕТИ ЗА СКАРИФИЦИРАНЕ

- Регулирайте дълбочината на рязане според нуждите за вашата тревна площ и дължината на тревата.
- Окосете тревната си площ и приложете препарат за премахване на мъх една седмица преди планираното от вас скарифициране, ако тревната ви площ има проблеми с мъх.
- Няколко дни преди скарифицирането на тревната ви площ, се уверете, че тя е влажна, но не прекалено мокра.

ТРАНСПОРТИРАНЕ И СЪХРАНЕНИЕ

- Почистете продукта от всички чужди частици. Съхранявайте я на хладно, сухо и добре проветрявано място, което е недостъпно за деца. Дръжте продукта далече от разяждащи вещества, като например градински химикали и размразяващи

соли. Не съхранявайте продукта на открито.

- Когато транспортирате продукта, го обезопасете така, че да не може да се движи или да падне, защото това може да доведе до евентуални наранявания на хора или повреди по продукта.

⚠ ПРЕДУПРЕЖДЕНИЕ

Бъдете изключително внимателни, когато повдигате или наклоняте машината, за да я транспортирате или да извършвате дейности по поддръжка, почистване или съхранение. Зъбците са остри, дръжте всички части на тялото си надалече от тях, когато са оголени.

ПОДДРЪЖКА

⚠ ПРЕДУПРЕЖДЕНИЕ

Използвайте само оригинални резервни части, аксесоари и приставки от производителя. В противен случай може да се влоши работата на инструмента или да получите тежки контузии, а гаранцията ви ще стане невалидна.

⚠ ПРЕДУПРЕЖДЕНИЕ

Сервизното обслужване изисква изключително внимание и специфични познания и следва да бъде извършвано само от квалифициран техник. Продуктът трябва да бъде ремонтиран само в упълномощен сервиз. При извършване на сервизни дейности използвайте само оригинални резервни части от производителя.

- Когато продуктът бъде спрял за обслужване, проверка, съхранение или при смяна на аксесоар, изключете източника на захранване, изключете продукта от електрическата мрежа и се уверете, че всички движещи се части са спрени напълно. Изчаквайте машината да се охлади преди да ѝ правите оглед, настройки и т.н. Обслужвайте продукта внимателно и го поддържайте чист.
- Проверявайте редовно коша за отпадъци за износване, дупки или повреди.
- Можете да правите настройки и поправки, описани в това ръководство на потребителя. За други поправки или съвети потърсете съдействие от оторизиран сервизен център.
- За обезпечаване на вашата безопасност заменяйте своевременно износени или повредени детайли. Използвайте само оригинални резервни части и аксесоари.
- Всеки път след употреба почиствайте продукта с мека и суха кърпа. Всяка повредена част трябва да бъде поправена или заменена от упълномощен сервизен център.
- Периодично проверявайте дали всички гайки, болтове и винтове са правилно затегнати, за да сте сигурни, че продуктът е в изправност.

- Внимавайте при регулиране на продукта, за да не попаднат пръстите ви между движещите се зъбци и фиксираните компоненти на продукта.
- Когато извършвате обслужване на модула със зъбците, имайте предвид, че те мож да се движи дори и при изключено захранване.
- Зъбците на продукта са остри. Бъдете внимателни и носете здрави предпазни ръкавици, когато затягате, подменяте, почиствате или инспектирате болтовете.

ОТСТРАНЯВАНЕ НА ЗАПУШВАНИЯ

- Спрете продукта и го изключете от захранването.
- Винаги носете здрави защитни ръкавици, когато проверявате за запушвания или отстранявате такива. Зъбците са остри и самото задръстване може да бъде остър предмет.
- Свалете коша за отпадъци, проверете за задръствания и го почистете внимателно.
- Проверете изпускаемия улей за трева за задръстване и внимателно почистете.
- Завъртете продукта настрани, проверете го от долната страна и зоната около зъбците. Отстранете внимателно задръстванията, ако намерите такива.

НЕПРЕДВИДЕНИ РИСКОВЕ

Дори когато продуктът се използва по предназначение, е невъзможно напълно да се ограничи влиянието на определени рискови фактори. Описаните по-долу опасности могат да възникнат по време на работа, като операторът трябва да внимава за избягването на следното:

- Нараняване, причинено от вибрация
 - Винаги използвайте правилния инструмент за съответната работа. Използвайте предназначенияте ръкохватки. Ограничавайте времето за работа и излагане на вибрации.
- Наранявания, причинени от шум
 - Излагането на шум може да доведе до увреждане на слуха. Носете антифони и ограничете излагането.
- Нараняване при контакт със зъбците
- Щети, причинени от хвърлени предмети

НАМАЛЯВАНЕ НА РИСКА

Известно е, че вибрациите, произвеждани от ръчни инструменти може да предизвикат у някои индивиди заболяване, наречено Синдром на Рейнолд (Raynaud's Syndrome). Симптомите може да включват изтръпване, схващане и избледняване на пръстите, обикновено се забелязват при излагане на студ. Смята се, че наследствените фактори, излагането на студ и влага, диетите, пушенето и някои работни навици допринасят за развитието на тези симптоми. Могат да се вземат някои мерки, които могат да се предприемат от оператора, за да се намалят ефектите от вибрациите:

- Поддържайте телесната температура в студено време. Когато работите с продукта, носете

EN
FR
DE
ES
IT
NL
PT
DA
SV
FI
NO
RU
PL
CS
HU
RO
LV
LT
ET
HR
SL
SK
BG
UK
TR

ръкавици, за да поддържате ръцете и китките си топли. Според изследвания главният фактор, допринасящ за развитието на Raynaud's Syndrome, е студеното време.

- Правете упражнения за активизиране на кръвообращението след всеки работен цикъл.
- Редовно излизайте в почивка. Ограничете излагането на вибрации на ден.

При поява на някой от симптомите на това заболяване, незабавно прекратете употребата на инструмента и посетете лекар.

⚠ ПРЕДУПРЕЖДЕНИЕ

Продължителното използване на инструмента може да доведе до наранявания или влошаване. При използване на инструмента за продължителни периоди от време правете чести почивки.

ОПОЗНАЙТЕ ВАШИЯ ПРОДУКТ

Вж. страница 132.

1. Бутон за превключване
2. Ръкохватки
3. Спусъци
4. Прът за горната ръкохватка
5. Врътки
6. Ключ шестограм
7. Зъбци
8. Задни колела
9. Предни колела
10. Удължителен проводник
11. Приставка на аератор
12. Лост с регулируема височина
13. Задна врата
14. Кош за отпадъци
15. Прът за средната ръкохватка
16. Кабел
17. Кука за кабела

СИМВОЛИ НА ПРОДУКТА



Предупреждение относно безопасността



Прочетете инструкциите внимателно, преди да стартирате машината.



Носете антифони



Носете защитни средства за очи



Не излагайте на дъжд и на влажни условия.



Внимавайте за изхвърлени или летящи обекти. Не допускайте странични наблюдатели, особено деца и домашни животни, на по-малко от 15 м от работната зона.



Внимание, остри зъбци. След изключване на двигателя зъбците продължават да се въртят. Извадете щепсела от електрическата мрежа преди профилактика или ако кабелът е повреден.



Дръжте захранващия кабел далече от режещите култиваторни лапи.



Работна ширина: 35 cm



Клас II: Защитата от електрически удар се уповава на двойна изолация или подсилена изолация.



Електрическите уреди не трябва да се изхвърлят заедно с битовите отпадъци. Рециклирайте, където има възможност. Обърнете се за съвет по рециклирането към местните власти или разпространителите.



Тази машина е в съответствие с нормативната уредба на държавата от ЕС, където е била закупена.



EurAsian знак за съответствие



Не работете по наклони над 15°. Върху наклонени терени работете с продукта на пряко спрямо повърхността, никога нагоре и надолу.



Украински знак за съответствие



Гарантираното ниво на силата на шум, показано на този етикет, е 100 dB.

СИМВОЛИ В НАСТОЯЩОТО РЪКОВОДСТВО



Частите или принадлежностите се продават отделно



Забележка



Предупреждение

Следните сигнални думи и значенията им са предназначени да обяснят нивата на опасност, свързани с този продукт.

ОПАСНОСТ

Указва неминуемо опасна ситуация, която ако не бъде избегната, ще доведе до сериозни наранявания или смърт.

ПРЕДУПРЕЖДЕНИЕ

Указва потенциално опасна ситуация, която ако не бъде избегната, може да доведе до сериозни наранявания или смърт.

ВНИМАНИЕ

Указва потенциално опасна ситуация, която ако не бъде избегната, може да доведе до дребни или средни наранявания.

ВНИМАНИЕ

Без предупредителен символ за безопасност
Указва ситуация, която може да доведе до имуществени щети.

EN
FR
DE
ES
IT
NL
PT
DA
SV
FI
NO
RU
PL
CS
HU
RO
LV
LT
ET
HR
SL
SK
BG
UK
TR

Головними міркуваннями при розробці цього електричного розпушувача або аератора були безпека, ефективність та надійність.

ПЕРЕДБАЧУВАНОМУ ВИКОРИСТАННІ

Електричний розпушувач або аератор призначений тільки для використання поза приміщенням. Усі чотири колеса повинні торкатися землі під час розпушування або аерації.

Пристрій має зубці для розпушення та призначений для розпушування домашніх галявин.

Пристрій має насадку для аератора та призначений для створення отворів у ґрунті для зменшення ущільнення ґрунту.

Пристрій керується вручну користувачем, що йде за пристроєм та штовхає його за ручку. Заборонено тягнути пристрій або їздити на ньому. Інструмент призначено виключно для стрижки трави на присадібних ділянках.

Не використовуйте для будь-яких інших цілей.

ГОЛОВНІ ПОПЕРЕДЖЕННЯ З БЕЗПЕКИ ЕЛЕКТРОІНСТРУМЕНТУ

Попередження

При використанні продукту, потрібно дотримуватися правил безпеки. Для вашої власної безпеки та безпеки перехожих, будь ласка, прочитайте ці інструкції перед експлуатацією виробу. Будь ласка, збережіть інструкції з безпеки для подальшого використання.

ОСОБИСТА БЕЗПЕКА

- При неналежному використанні пристрій може відрізати руки чи ступні, а також під час роботи може розкидати предмети, що підпадають під нього. Недотримання правил безпеки може призвести до серйозних травмувань чи навіть летальних наслідків.
- Добре ознайомтеся з органами управління та правильним використанням машини.
- Ніколи не дозволяйте дітям або людям з обмеженими фізичними, сенсорними або розумовими здібностями, або незнайомим з цими інструкціями, працювати, чистити або обслуговувати машину. Місцеве законодавство може обмежувати вік оператора. Потрібно належним чином стежити за дітьми, щоб вони не грали з машиною.
- Будьте уважні, дивіться, що ви робите, і використовуйте здоровий глузд при експлуатації виробу. Не працюйте з виробом, коли ви втомлені або знаходитесь під дією наркотиків, алкоголю або медикаментів. Втрата концентрації під час роботи виробу може призвести до серйозної травми.
- Одягайте важкі, довгі штани, одяг із довгими рукавами та міцне нековзке взуття. Не можна працювати в шортах, сандаліях або босоніж. Уникайте носити вільний одяг, або з висячаними шнурами або зав'язками.

- Завжди носіть захисні окуляри з боковими щитками.
- Не тягніться. Завжди будьте впевнені в опорі на схилах. Тримайте міцну опору і рівновагу. Ходіть, ніколи не бігайте.
- При скошуванні на схилах переміщуйте косарку вздовж поверхні схилу, а не вверх-вниз. Будьте особливо обережними під час зміни напрямку на схилах.
- Не використовуйте продукт поблизу обривів, канав, надмірно крутих важків або набережних. Використання на нерівному ландшафті може спричинити падіння.

БЕЗПЕКА РОБОЧОГО МІСЦЯ

- Ніколи не використовуйте продукт, коли люди, особливо діти, або домашні тварини знаходяться неподалік.
- Предмети, що пошкоджені зубцями розпушувача, можуть завдати людям важкі травми. Ретельно огляньте місце, де використовуватиметься пристрій і приборіть усі камені, великі гілки, металеві предмети, дроти, кістки, іграшки й інші сторонні предмети.
- Використовуйте продукт при денному світлі або при хорошому штучному освітленні.
- Не використовуйте продукт у вибухонебезпечних атмосферах, наприклад, у присутності легко займистих рідин, газів або пилу. Під час роботи косарки виникають іскри, що можуть призвести до займання пилу або парів.
- Не використовуйте машину при мокрій траві або в дощ.
- Не працюйте з виобом на асфальтованому або гравійному покритті, де викинутий матеріал може привести до травми.
- Використовуйте пристрій на плоскій поверхні, коли користувач йде за пристроєм та тримає його обома руками за ручку.
- Уникайте використання продукту в поганих погодних умовах, особливо, коли є ризик удару блискавки.
- Майте на увазі, що оператор або користувач несе відповідальність за нещасні випадки або пошкодження спричинені іншим особам або їх майну.
- Неуважність оператора газонокосарки до присутності дітей може мати трагічні наслідки. Не слід сподіватись, що діти залишатимуться там, де Ви в останнє їх бачили.
- Слідкуйте, щоб діти знаходились за межами зони косіння та під наглядом дорослого, який не працює з пристроєм, будьте уважні та вимкніть прилад, якщо дитина входить до небезпечної зони.
- Будьте особливо обережні поблизу поворотів з поганою оглядовістю, чагарників, дерев або інших об'єктів, враховуючи висячі кущі, які можуть заважати огляду.

ЕЛЕКТРОБЕЗПЕКА

- Вилка живлення електроінструменту повинна відповідати розетці. Ніколи не змінюйте вилку.

Не використовуйте ніякі вилки-перехідники з заземленими (замкнутими на землю) електроінструментами. Не змініте вилки та відповідні розетки зменшують ризик ураження електричним струмом.

- Запобігайте випадкового запуску. Перед під'єднанням виробу до електроживлення завжди перевіряйте, щоб перемикач був вимкнений. Не переносьте під'єднаний до електроживлення виріб, тримаючи палець на перемикачі.
- Уникайте контакту тіла з заземленими поверхнями, такими як труби, радіатори, плити та холодильники. Існує підвищений ризик ураження електричним струмом, якщо ваше тіло заземлене.
- Оберегайте прилад від дощу та вологи. Попадання води на пристрій збільшує ризик ураження електричним струмом.
- Електроживлення має подаватися через пристрій захисного вимикання (ПЗВ) зі струмом вимикання не більше 30 мА.
- Перед використанням перевірте дроти живлення і подовжувача на наявність пошкоджень або старіння. Якщо шнур пошкоджений під час використання, негайно вийміть шнур живлення з мережі. Пошкоджені шнури можуть контактувати з деталями під напругою. **Не торкайтеся шнура перед відключенням від подачі.** Не використовуйте продукт, якщо шнур пошкоджений або зношений.
- Якщо дріт живлення пошкоджений, він має бути замінений людиною, що має достатню кваліфікацію та має використовувати нову кабельну гарнітуру, яка постачається виробником. Недотримання цих інструкцій може спричинити серйозне травмування, враховуючи летальні випадки через ураження електричним струмом оператора та інших людей.
- Якщо вам потрібно використовувати подовжувач переконайтеся, що він підходить для використання на відкритому повітрі і має поточний рейтинг потужності достатньо для забезпечення вашого продукту. Подовжувач повинен бути відзначений "H05 RN-F" або "H05 VVF". Перевірте його перед кожним використанням на пошкодження; завжди розмотуйте його під час використання, тому що спіральний шнур може перегрітися. Замініть пошкоджені подовжувачі на подовжувачі аналогічного типу. Не ремонтуйте пошкоджені подовжувачі.
- Тримайте подовжувачі далі від рухомих частин, щоб уникнути їх пошкодження, що може призвести до контакту з деталями під напругою.
- Переконайтеся, що шнур живлення розташований таким чином, що він не може бути пошкоджений ріжучими засобами, ви неможете спіткнутися чи інакше пошкодити його.
- Ніколи не піднімайте та не переносьте виріб за електричний кабель.
- Ніколи не тягніть за шнур живлення, щоб від'єднати виріб від електроживлення.
- Тримайте шнур живлення далеко від тепла, масла і гострих країв.
- Переконайтеся, що напруга відповідає виробу. Напруга виробу вказана на паспортній таблиці. Ніколи не під'єднуйте виріб до змін. струму з напругою, які відрізняється від вказаної.
- Під час збору або складання ручки, переконайтеся, що шнур від ручки розпушувача ніде не захоплюється. Ніколи не підключайте до пристрою живлення, якщо кабель пошкоджений. Звертайтеся тільки до авторизованого сервісного центру.
- Перепади напруги викликають коливання напруги та можуть впливати на інші електричні вироби у тій самій лінії електромережі. Підключіть пристрій до джерела живлення з імпедансом, рівним або меншим, ніж 0.452Ω (RY1400SF35A, RY1400SF35), щоб мінімізувати коливання напруги. Зверніться до постачальника електроенергії для подальших роз'яснень.

ПОПЕРЕДЖЕННЯ З ТЕХНІКИ БЕЗПЕКИ ПІД ЧАС РОБОТИ З ЕЛЕКТРИЧНИМ РОЗПУШУВАЧЕМ ТА АЕРАТОРОМ

- Зубці на пристрої дуже гострі. Будьте вкрай обережні та здійснюйте збірку, заміну запчастин, чищення чи перевірку затягування болтів у захисних рукавицях.
- Перед запуском пристрою, переконайтеся, що всі гвинти, шайби, болти та інші кріплення надійно закріплені та захисні щитки та екрани на місці. Замініть пошкоджені або нечитабельні етикетки.
- Замініть зношені або пошкоджені деталі перед початком роботи продукту.
- Перш ніж починати розпушення встановіть контейнер для збору сміття. Очистіть контейнер для сміття після його наповнення, та встановіть його на місце перш ніж продовжити роботу.
- Виріб треба запускатися, коли користувач знаходиться позаду керма у безпечній зоні. Ніколи не запускайте виріб, доки:
 - всі чотири колеса не будуть стояти на землі
 - жолоб для викидання сміття відкритий та він незахищений збірником сміття та кришкою для жолоба для викидання сміття
- Ніколи не експлуатуйте виріб, якщо вимикач живлення на кермі не вмикає та вмикає виріб належним чином.
- Ніколи не намагайтеся заблокувати перемикач в увімкненому положенні, це вкрай небезпечно.
- Не тисніть на пристрій Він буде працювати краще і безпечніше при швидкості, для якої він був розроблений.
- При перетині покриття з гравію слід зупинити зубці.
- Проявляйте крайню обережність при русі заднім ходом або коли тягнете прилад на себе.
- Зупиніть зубці, якщо потрібно нахилити пристрій під час транспортування, при перетині будь-яких поверхонь крім трави, та при транспортуванні під час використання.
- Заборонено використання пристрою з пошкодженими захисними кожухами або щитками, або без захисного обладнання, наприклад,

відбивача та/або збирача сміття.

- Не нахилийте виріб при включенні двигуна, за винятком випадків, коли пристрій повинен бути нахилений для запуску. Якщо це дуже необхідно, ви можете підняти лише ту частину, яка знаходиться далі від користувача. Слід завжди переконатися, що обидві руки знаходяться у робочому положенні перед поверненням пристрою на землю
- Обережно увімкніть пристрій відповідно до інструкцій та тримайте руки та ноги якомога далі від зубців. Не підкладайте руки або ноги під обертаючі деталі. Завжди тримайтеся подалі від випускного отвору.
- Ніколи не підіймайте або носіть пристрій під час його роботи.
- Тримайте гнучкий шнур електроживлення подалі від ріжучих зубців.
- Вимкніть продукт і від'єднайте від джерела живлення. Переконатися, що всі рухомі частини зупинилися:
 - залишати виріб без нагляду (включаючи утилізацію обрізків трави)
 - перед очищенням закупорець або прочищенням жолобу викидання
 - перед перевіркою, чищенням, або роботі на продукті
 - якщо інструмент натрапив на сторонній предмет огляньте пристрій на наявність пошкоджень, за необхідністю поладуйте, перш ніж продовжувати роботу.
- Якщо пристрій вібрує надто сильно, негайно перевірте:
 - перевірити на наявність пошкоджень
 - замінити або відремонтувати пошкоджені деталі
 - перевірити і затягнути послаблені частини
- Уникайте ям, вибоїв, пагорбів, каменів, жердин, або інших скритих об'єктів. Використання на неровному ландшафті може спричинити падіння.
- Відпустіть ручку негайно та тримайтеся якомога далі від пристрою якщо:
 - пристрій сплосхнув;
 - захисне приладдя або корпус зламани;
 - виник незвичний шум;
 - трапилася поломка чи аварія.

⚠ Попередження

Перш ніж видалити чи встановити колектор сміття переконатесь, що зубці повністю зупинені.

⚠ Попередження

Заборонено торкатись рухомих небезпечних частин пристрою, доки пристрій не від'єднано від мережі живлення та всі небезпечні рухомі частини повністю не зупинились.

ПРИСТРІЙ ЗАХИСТУ ВІД ПЕРЕВАНТАЖЕННЯ

Пристрій оздоблений засобом захисту від перевантаження. Пристрій автоматично вимикається, якщо наявне перевантаження. Якщо спрацює система захисту від перенапруги, дайте двигуну охолонути від 5 до 10 хвилин.

Вимкніть продукт і від'єднайте від джерела живлення. Зубці гострі, одягайте дуже міцні рукавиці перед тим, як торкатись їх. Переконатися, що зубці обертаються вільно, не зачіпляються та не перетягнуті.

Коли двигун охолоне, увімкніть штепсель у мережеву розетку, а потім увімкніть пристрій. Для початку роботи пристрою натисніть кнопку пуску (Start), а потім кнопку-перемикач. Якщо пристрій все ще не запускається, слід звернутись до авторизованого сервісного центру.

ЗАГАЛЬНІ ПОРАДИ ЩОДО РОЗПУШЕННЯ

- Відрегулюйте глибину обрізки відповідно до ваших потреб, щодо газону та довжини трави.
- Скосіть газон та за тиждень перед розпушенням обробіть його засобом для знищення моху, якщо ваш газон має проблему з мохом.
- Полийте газон за кілька днів до того, як почнете розпушування, та переконатися, що газон вологий, але не надто.

ТРАНСПОРТУВАННЯ ТА ЗБЕРІГАННЯ

- Почистіть всі сторонні матеріали з продукту. Зберігайте продукт в прохолодному, сухому і добре провітрюваному місці, недоступному для дітей. Зберігати подалі від агресивних агентів, таких як садові хімікати і солей проти обледеніння. Не зберігайте пристрій на відкритому повітрі.
- Для транспортування, забезпечіть машину від руху або падіння, щоб запобігти травми людей або пошкодження машини.

⚠ Попередження

Будьте вкрай обережні при підйомі або нахиланні косарки під час технічного обслуговування, чищення, зберігання чи транспортування. Зубці дуже гострі, тримайте усі частини вашого тіла як якомога далі від час їх появи.

ТЕХНІЧНЕ ОБСЛУГОВУВАННЯ

⚠ Попередження

Використовуйте тільки оригінальні запасні частини, аксесуари та обладнання від виробника. Невиконання цієї вимоги може привести до можливої травми, поганій продуктивності та може призвести до втрати гарантії.



⚠ Попередження

Обслуговування вимагає крайньої обережності і знання і повинно бути виконане тільки кваліфікованим фахівцем. Звертайтеся тільки до авторизованого сервісного центру. При технічному обслуговуванні використовуйте тільки ідентичні заміні частини.

- Коли пристрій зупинено для проведення обслуговування, огляду, зберігання, або зміни приладдя, вимкніть його з джерела живлення та переконайтеся, що усі рухомі частини повністю зупинились. Дозвольте пристрою охолонути, перш ніж проводити перевірку та налаштування. Зберігайте пристрій у чистоті та із обережністю.
- Часто перевіряйте колектор для сміття на наявність дірок, зносу або пошкоджень.
- Ви можете зробити регулювання та ремонт, описані в цьому посібнику користувача. Для інших ремонтних робіт, зверніться до авторизованого сервісного агента.
- Замініть зношені або пошкоджені деталі. Використовуйте лише оригінальні запасні частини та аксесуари.
- Після кожного використання, очистіть виріб м'якою сухою тканиною. Будь-яка пошкоджена деталь, має бути правильно відремонтована або замінена в авторизованому сервісному центрі.
- Перевірте всі гайки, болти і гвинти після короткого проміжка часу на правильну герметичність, щоб забезпечити продукт у безпечному робочому стані.
- Будьте обережні під час налаштування пристрою, щоб не защемити пальці між рухомими зубцями та нерухомими частинами пристрою
- Під час обслуговування зубців пам'ятайте, що навіть якщо джерело живлення вимкнено, зубці все ще можуть рухатися.
- Зубці на пристрої дуже гострі. будьте вкрай обережні та здійсніте зборку, заміну запчастин, чищення чи перевірку затягування болтів у захисних рукавицях.

ВИДАЛЕННЯМ ПЕРЕШКОД

- Вимкніть продукт і від'єднайте від джерела живлення.
- Завжди носіть важкі захисні рукавички при перевірці і очищенні засмічення. Зубці гострі та предмет, що їх блокує може бути гострим.
- Зніміть збирач сміття, перевірте його та видаліть сміття.
- Перевірте жолоб для викидання трави на наявність блокування та обережно очистіть.
- Переверніть пристрій на бік, перевірте днище пристрою та зону навколо зубців. При наявності засмічення, обережно видаліть його.

НЕПЕРЕДБАЧЕНІ РИЗИКИ

Навіть за належного використання інструмента неможливо повністю нейтралізувати певні фактори залишкового ризику. Наступні небезпеки можуть

виникати при використанні продукту та оператору слід звернути особливу увагу, щоб уникнути наступного:

- Травми спричинені вібрацією.
 - Завжди використовуйте для роботи правильний інструмент. Використовуйте призначені для цього ручки. Обмежуйте робочий час та вплив.
- Травми, викликані шумом
 - Підвищений рівень шуму може спричинити пошкодження слуху. Надягайте захист для органів слуху та лімітуйте вплив.
- травми від контакту з зубцями
- Травмування відлітаючими частками

ЗНИЖЕННЯ РИЗИКУ

Відомі випадки, коли вібрація від ручних інструментів сприяє появі так званого синдрому Рейно. Симптоми схожі на ті, що з'являються під впливом холоду, включаючи поколывання, оніміння та збліднення пальців. Вважається, що спадкові чинники, вплив холоду і сирості, харчування, куріння і деякі звички роботи сприяють розвитку цих симптомів. Можна прийняти деякі заходи, які можуть бути прийняті оператором, щоб зменшити вплив вібрації:

- Підтримувати температуру тіла в холодну погоду. При використанні інструменту надягайте рукавички, щоб тримати руки та зап'ястки у теплі. Згідно з дослідженнями, основний внесок в розвиток синдрому Рейно, є холодна погода.
- Вправа для активації кровообігу після кожного запуску.
- Регулярно йдуть на перерву. Лімітуйте кількість роботи на день.

Якщо ви виявили будь-який з цих симптомів, негайно припиніть використання і зверніться до вашого лікаря згідно цих симптомів.

⚠ Попередження

Тривале використання інструменту може призвести до травмування або загострення існуючої травми. При використанні приладу протягом тривалого періоду часу, часті перерви.

ЗНАЙ СВІЙ ПРОДУКТ

Дивіться сторінку 132.

1. Кнопка ввімкнення
2. Ручки
3. Тригери
4. Верхня частина ручки
5. Кнопки
6. Шестигранний ключ
7. Зубці
8. Заднє колесо
9. Переднє колесо
10. Розвідний відвід
11. Аксесуари аератора
12. Регулятор висоти
13. Задні двері
14. Колектор сміття

EN
FR
DE
ES
IT
NL
PT
RU
DA
SV
FI
NO
RO
PL
CS
HU
RO
LV
LT
ET
HR
SL
SK
BG
UK
TR



15. Середня частина ручки
16. Електропровід
17. Гачок шнура

СИМВОЛИ НА ПРОДУКТІ



Попередження



Перед початком роботи с пристроєм уважно прочитайте інструкції.



Одягайте засоби для захисту слуху.



Одягайте захисні окуляри



Не піддавайте впливу дощу або вогкому стану.



Остерігайтеся кинутих або літаючих об'єктів. Тримайте всіх перехожих, особливо дітей і домашніх тварин, принаймні 15 м від робочої зони.



Остерігайтеся гострих зубців. Зубці продовжують обертатися після того, як двигун вимкнено. Вимкніть і вийміть штепсель з мережі перед технічним обслуговуванням або якщо шнур пошкоджений.



Тримайте гнучкий шнур електроживлення подалі від ріжучих зубців.



Робоча ширина 35 см



Клас II: Захист від ураження електричним струмом завдяки подвійній або посиленій ізоляції.



Не викидати відпрацьовані електричні прилади разом із побутовими відходами. Утилізувати у спеціально призначених закладах. За консультацією по утилізації приладу зверніться до органу місцевої влади або дилера



Відповідає всім нормативним стандартам в країнах ЄС, де виріб було придбано.



Євразійська знак відповідності.



Не працюйте на ухилах більше 15°. При скошуванні на схилах переміщуйте косарку вздовж поверхні схилу, а не вверх-вниз.



Український знак відповідності



Гарантований рівень звуку, показаний на цьому малюнку, становить 100 дБ.

СИМВОЛИ В ЦЬОМУ ПОСІБНИКУ



Запчастини та аксесуари, що продаються окремо



ПРИМІТКА



Попередження

Наступні сигнальні слова і змісти призначені для пояснення рівнів ризику, пов'язаних з продуктом.

⚠ НЕБЕЗПЕКА

Вказує на неминуче небезпечну ситуацію, яка, якщо її не уникнути, може призвести до смерті або серйозних травм.

⚠ Попередження

Вказує на потенційно небезпечну ситуацію, яка, якщо її не уникнути, може призвести до смерті або серйозних травм.

⚠ УВАГА

Вказує на потенційно небезпечну ситуацію, яка, якщо її не уникнути, може призвести до легкої або середньої травми.

УВАГА

Без попереджуючих символів

Вказує на ситуацію, яка може призвести до пошкодження майна.

Elektrikli tırmığının veya havalandırıcısının tasarımında güvenlik, performans ve güvenilirliğe en yüksek öncelik verilmiştir.

KULLANIM AMACI

Elektrikli tırmık veya havalandırıcı sadece dış mekan kullanımına yöneliktir. Kazıma veya havalandırma sırasında dört teker de yere temas etmelidir.

Kazıyıcı dişleri bulunan ürün ev çimi kazımak için tasarlanmıştır.

Havalandırıcı eklentisi takılı ürün toprak sıkışmasını azaltmak amacıyla toprakta delikler oluşturmak için tasarlanmıştır.

Ürün, yaya kontrollü, elektrikli, elle itilmek üzere tasarlanmış bir çim tırmığıdır. Çekilmemeli ya da üzerine binilmemelidir. Bahçe çimi dışında herhangi bir şey kesmek için kullanılmamalıdır.

Başka herhangi bir amaçla kullanmayın.

ELEKTRİKLİ ALET İÇİN GENEL GÜVENLİK TALİMATLARI

⚠ UYARI

Bu ürünü kullanırken güvenlik kurallarına uyulmalıdır. Kendi güvenliğinizi ve çevrenizdeki kişilerin güvenliği için ürünü kullanmadan önce bu talimatları tamamen okumalı ve anlamalısınız. Lütfen bu talimatları daha sonra kullanmak üzere güvenli bir yerde saklayın.

KİŞİSEL GÜVENLİK

- Ürün el ve ayakları kesebilir, cisimler fırlatabilir. Güvenlik talimatlarına tamamen uyulmaması ciddi yaralanmalara veya ölüme neden olabilir.
- Ürünün kontrollerini ve nasıl doğru şekilde kullanılacağını öğrenin.
- Çocuklar ya da kısıtlı fiziksel, duyuşsal ya da zihinsel becerilere sahip ya da bu talimatlara aşina olmayan kişilerin ürünü çalıştırma, temizleme ya da bakım yapmasına asla izin vermeyin. Yerel yönetmelikler kullanıcının yaşına kısıtlama getirebilir. Ürünle oynamadıklarından emin olmak için çocuklara uygun şekilde nezaret edilmelidir.
- Tetikte olun, yaptığınız işi izleyin ve ürünü kullanırken sağduyunuzu kullanın. Ürünü hiçbir zaman yorgunken, hastayken veya alkol, uyuşturucu veya ilaç etkisi altındayken kullanmayın. Ürünü kullanırken konsantrasyon eksikliği ciddi kişisel yaralanmaya yol açabilir.
- Ağır, uzun pantolon, uzun kollu kıyafetler ve kaymaz ayakkabı giyin. Kısa pantolon ve sandalet kullanmayın, yalınayak çalışmayın. Üzerinize bol olan veya iplerin veya bağcıkların sarktığı kıyafetler giymekten kaçının.
- Her zaman yan siperlere sahip güvenlik gözlükleri takın.
- Yukarıya doğru erişmeye çalışmayın. Eğimli yerlerde yere her zaman sağlam bastığınızdan emin olun. Yere sağlam basın ve dengede durun. Yürüyün, hiçbir zaman koşmayın.

- Ürünü yamaçlarda yukarı veya aşağıya doğru değil, yamaç boyunca kullanın. Eğimler üzerinde yön değiştirirken çok dikkatli olun.
- Ürünü çukurların, hendeklerin, çok dik eğimlerin ya da setlerin yakınında kullanmayın. Yere sağlam basmamak kayma ve düşme kazalarına neden olabilir.

ÇALIŞMA ALANI GÜVENLİĞİ

- Ürünü hiçbir zaman yakın insanlar, özellikle çocuklar veya hayvanlar varken kullanmayın.
- Tırmığın dişlerine takılan nesnelere insanların ciddi şekilde yaralanmasına neden olabilir. Makinenin kullanılacağı alanı iyice inceleyin ve tüm kayaları, tahta parçalarını, metalleri, kemikleri, oyuncakları veya diğer yabancı nesnelere temizleyin.
- Ürünü gün ışığında ya da iyi yapay aydınlatmayla kullanın.
- Ürünü alev alabilen sıvı, gaz ya da tozun bulunduğu patlayıcı atmosferlerde kullanmayın. Ürün doz ya da dumana yol açan kıvılcımlar üretir.
- Makineyi ıslak çim üzerinde veya yağmurda kullanmayın.
- Ürünü fırlayan maddelerin yaralanmaya neden olabileceği asfalt kaplı veya çakıllı bir yüzeyde kullanmayın.
- Ürünü yalnızca operatör gidonun arkasında olacak şekilde iki eli de kullanarak düz bir yüzeyde çalıştırın.
- Ürünü kötü hava koşullarında, özellikle yıldırım düşme riski varken kullanmaktan kaçının.
- Kazalardan ve diğer insanlara veya mallarına zarar verebilecek tehlikelerden kullanıcının sorumlu olduğunu unutmayın.
- Eğer kullanıcı çocuklara karşı tetikte olmazsa trajik kazalar meydana gelebilir. Hiçbir zaman çocukların onları en son gördüğünüz yerde kalacağını varsaymayın.
- Çocukları biçilen alanın dışında ve kullanıcı dışında yetişkin birinin dikkatli gözetimi altında tutun, dikkatli olun ve alana çocuk girdiğinde ürünü kapatın.
- Görüşünüzü engelleyebilecek kör köşeler, çalılar, ağaçlar ya da asılı çalılar dahil diğer nesnelere yaklaşırken ekstra dikkatli olun.

ELEKTRİKSEL GÜVENLİK

- Elektrik fişleri prize uygun olmalıdır. Fişi hiçbir zaman hiçbir şekilde değiştirmeyin. Topraklı elektrikli aletlerle birlikte herhangi bir adaptörlü fiş kullanmayın. Üzerinde değişiklik yapılmayan fişler ve uygun prizler elektrik çarpması riskini azaltır.
- Kazara çalıştırılmasını önleyin. Ürünü güç kaynağına takmadan önce her zaman anahtarın Kapalı konumunda olduğunu kontrol edin. Fişe takılı bir ürünü parmağınız anahtarın üzerindeyken taşımayın.
- Vücutunuzla borular, radyatörler, kuzine ve buzdolabı gibi topraklı ürünlere temas etmekten kaçının. Vücutunuz topraklarsa yüksek elektrik çarpması riski mevcuttur.
- Ürünü yağmura veya ıslak koşullara maruz bırakmayın. Cihaza su girmesi elektrik çarpması riskini artırır.

- Elektrik gücü 30 mA'yı geçmeyen trip akımına sahip bir artık akım cihazı (RCD) ile sağlanmalıdır.
- Kullanmadan önce besleme ve uzatma kablosunu hasar veya eskime belirtilerine karşı kontrol edin. Eğer kablo kullanım sırasında zarar görürse kabloyu derhal güç kaynağından ayırın. Hasarlı kablolar elektrikli parçalarla temasa yol açabilir. **Güç kaynağını ayırmadan önce kabloya dokunmayın.** Eğer kablo zarar görmüş veya aşınmışsa ürünü kullanmayın.
- Güç kablosu zarar gördüyse yetkin bir kişi tarafından üreticinin sağladığı kablo seti ile değiştirilmesi gereklidir. Bu talimata uyulmadığında kişi elektrik çarpması dahil ciddi yaralanmaya maruz kalabilir.
- Uzatma kablosu kullanmak zorunda kalırsanız diş mekan kullanımına uygun ve ürününüzü destekleyecek akım kapasitesi derecelendirmesine sahip olduğundan emin olun. Uzatma kablosu "H05 RN F" veya "H05 VV F" olarak işaretlenmiş olmalıdır. Her kullanımdan önce hasara karşı kontrol edin; sarılı kablolar aşırı ısınabileceğinden kullanım sırasında her zaman kabloyu açın. Hasarlı uzatma kablolarını dengi bir türle değiştirin. Hasarlı uzatma kablolarını tamir etmeyin.
- Kablolarda akımlı bölümlerle temasa yol açabilecek hasarları önlemek için uzatma kablolarını tehlikeli hareketli aksamdan uzak tuttuğunuzdan emin olun.
- Güç kablosunun kesme aletleri nedeniyle hasar görmeyeceği ve üzerine basmayacağınız, takılıp düşmeyeceğiniz veya başka bir hasara veya strese maruz kalmayacağı şekilde yerleştirildiğinden emin olun.
- Ürünü hiçbir zaman elektrik kablosundan kaldırmayın veya taşımayın.
- Hiçbir zaman güç kaynağından ayırmak için güç kablosundan çekmeyin.
- Güç kablosunu ısı, yağ ve keskin kenarlı nesnelere uzak tutun.
- Voltajın ürününüz için doğru olduğundan emin olun. Ürün üzerinde bulunan bir isim levhası ünitenin voltajını gösterir. Ürünü hiçbir zaman bu voltajdan farklı bir AC voltajına bağlamayın.
- Gidondan tırmık gövdesine giden kabloların asla sıkışmadığından, kıvrılmadığından ve başka bir şekilde hasar görmediğinden her zaman emin olun. Kablo hasarlıysa ürüne asla kuvvet uygulamayın. Ürünün servis işlemlerini sadece yetkili bir servis merkezinde yaptırın.
- Güç fırlaması voltajda dalgalanmalara neden olabilir ve aynı elektrik hattındaki diğer elektrikli ürünleri etkileyebilir. Voltaj dalgalanmalarını en aza indirmek için ürünü 0,452Ω (RY1400SF35A, RY1400SF35B)'a eşit veya daha düşük bir empedansa sahip bir güç kaynağına bağlayın. Daha fazla açıklama için elektrik sağlayıcınızı arayın.

ELEKTRİKLİ TIRMIK VE HAVALANDIRICI GÜVENLİK UYARILARI

- Ürünün dişleri keskindir. Biçağı takarken, değiştirenken, temizler ya da civataların sağlamlığını kontrol ederken ağır iş eldivenleri kullanın.
- Tüm vidaların, somunların, civataların ve diğer bağlantı

parçalarının düzgün bir şekilde sabitlendiğinden ve kılavuzlarla eleklerin yerinde olduğundan emin olun. Hasarlı veya okunaksız etiketleri değiştirin.

- Ürünü kullanmadan önce aşınan veya zarar göre parçaları değiştirin.
- Tırmıklamadan önce çöp toplayıcıyı takın. Dolduğunda çöp toplayıcıyı boşaltın ve çalışmaya yeniden başlamadan önce tekrar takın.
- Ürün, operatör emniyet bölgesinde, ürün tutacaklarının arkasındayken çalıştırılmazdır. Aşağıdaki durumlarda ürünü asla çalıştırmayın:
 - dört tekerleğin hepsi yerde değilse
 - çöp atma kanalı açıktadır ve çöp toplayıcı ya da çöp atma kanalı kapağı ile korunmamaktadır
- Tutacak üzerindeki açma kapama düğmesi ürünü düzgün şekilde çalıştırıp durduruyorsa ürünü asla kullanmayın.
- Açma kapama düğmesini asla sabitlemeye çalışmayın, bu çok tehlikelidir.
- Ürünü zorlamayın. Tasarlandığı hızda çalışmayı daha iyi ve daha güvenli bir şekilde yapacaktır.
- Çakıllı yüzeylerden geçerken dişleri durdurun.
- Terse döner ya da ürünü kendinize doğru çekerken son derecede dikkatli davranın.
- Çimden başka yüzeylerden geçerken, ürünün taşınmak için eğilmesi gerekiyorsa veya ürün çalışma alanına götürülüyor ya da oradan getiriliyorsa, dişleri durdurun.
- Ürünü bozuk muhafaza ya da kalkanlar ile ya da emniyet cihazları, örneğin deflektörler ve/veya çöp toplayıcı ya da ikisi birden yerinde olmadan asla kullanmayın.
- Çalıştırmak için makinenin eğilmesi gerekmediği sürece motoru çalıştırırken ürünü eğmeyin. Tamamen gerekliyse yalnızca kullanıcıdan uzak olan parçayı kaldırebilirsiniz. Makineyi yere geri döndürmeden önce her zaman her iki elin de çalışma pozisyonunda olduğundan emin olun.
- Talimatları dikkatlice takip ederek ürünü çalıştırın ve el ve ayaklarınızı dişlerden uzak tutun. El ve ayakları döner parçaların altına koymayın. Boşaltma ağızını daima temiz tutun.
- Ürünü çalışır konumdayken asla kaldırmayın ya da taşımayın.
- Güç kablosunu ve uzatma kablosunu dişlerden uzak tutun.
- Ürünü kapatın ve güç kaynağından ayırın. Tüm hareketli parçaların tamamen durduğundan emin olun:
 - ürünü tek başına her bıraktığınızda (biçilen çimlere boşaltırken de)
 - tıkanıklığı temizlemeden ya da atma kanalını açmadan önce
 - ürünü kontrol etme, temizleme ve ürün üzerinde çalışmadan önce
 - yabancı bir nesneye çarptıktan sonra; cihazı hasara karşı inceleyin ve makineyi yeniden çalıştırmadan ve kullanmadan önce gerekli onarımları yapın.
- Ürün anormal şekilde titreşim yapmaya başlarsa derhal aşağıdakileri kontrol edin:
 - Hasara karşı kontrol edin

- tüm hasarlı parçaları değiştirin veya onarın
- Herhangi bir gevşek parçaya karşı kontrol edin ve sıkın
- Deliklerden, oluklardan, tümseklerden, kayalardan, temel kazıklarından veya diğer gizli nesnelere kaçınlın. Düz olmayan araziler kayma ve düşme kazalarına neden olabilir.
- Aşağıdaki durumlarda gidonu hemen bırakın ve üründen uzak durun:
 - ürün alev alırsa
 - muhafaza ve/veya yatak kırılırsa
 - anormal bir ses çıkarsa
 - herhangi bir kaza veya kırılma olursa

⚠ UYARI

Çöp toplayıcıyı sökmeden veya takmadan önce dişlerin tamamen durduğundan emin olun.

⚠ UYARI

Ürünü güç kaynağından ayırmadan ve hareketli tehlikeli parçalar tamamen durmadan hareketli ve tehlikeli aksama dokunmayın.

AŞIRI YÜK KORUMASI CİHAZI

Ürün bir aşırı yük koruması cihazına sahiptir. Aşırı yüklemeye başladığında ürün otomatik olarak kapanacaktır. Aşırı yük koruyucusu devredeyse, motorun 5 ile 10 dakika soğumasına bırakılması gerekir.

Ürünü kapatın ve güç kaynağından ayırın. Dişler keskindir, dokunmadan önce ağır iş eldivenleri takın. Dişlerin rahat bir şekilde döndüğünden ve sıkı ya da sıkışık olmadığından emin olun.

Motor soğuduğunda fişi güç kaynağına takın ve ürünü açın. Ürünü çalıştırmak için Başlatma butonuna basın ve ardından Açma kapama butonuna basın. Ürün çalışmaya başlamazsa ürünün yalnızca yetkili bir servis merkezine servise gönderin.

GENEL TIRMIKLAMA İPUÇLARI

- Kesme derinliğini çiminizin gerektirdiği şekilde ve çim uzunluğuna göre ayarlayın.
- Çiminizde bir yosun sorunu varsa tırmıklama yapmadan bir hafta önce çimleri biçin ve yosun öldürücü uygulayın.
- Çiminizin nemli ama fazla ıslak olmamasından emin olmak için tırmıklamadan birkaç gün önce çiminizi sulayın.

TAŞIMA VE DEPOLAMA

- Üründeki tüm yabancı maddeleri temizleyin. Çocukların erişemeyeceği serin, kuru ve iyi havalandırılan bir yerde depolayın. Bahçe kimyasalları ve buz çözücü tuzlar gibi korozif maddelerden uzak tutun. Ürünü açık havada depolamayın.
- Taşınacağı zaman insanların yaralanmasını veya ürünün zarar görmesini önlemek amacıyla ürünü hareket etmemesi veya düşmemesi için sabitleyin.

⚠ UYARI

Makineyi balım, temizlik, depolama veya taşıma amacıyla kaldırırken veya yatırırken çok dikkatli olun. Dişler serttir, açıkta olduklarında tüm vücut parçalarını dişlerden uzakta tutun.

BAKIM

⚠ UYARI

Sadece orijinal üreticinin yedek parçalarını, aksesuarlarını ve ek parçalarını kullanın. Aksine davranış olası yaralanmaya yol açabilir, yetersiz performansa neden olabilir ve garantinizin geçersiz olmasıyla sonuçlanabilir.

⚠ UYARI

Servis çalışması en yüksek düzeyde dikkat ve bilgi gerektirir ve sadece nitelikli bir servis teknisyeni tarafından yapılmalıdır. Ürünün servis işlemlerini sadece yetkili bir servis merkezinde yaptırın. Servis yapılırken sadece aynı yedek parçaları kullanın.

- Ürün servis, muayene veya saklama ya da aksesuar değişimi için durdurulduğunda, güç kaynağını kapatın, ürünün elektrik bağlantısını kesin ve tüm hareketli parçaların tamamen durduğundan emin olun. Herhangi bir muayene veya ayar yapmadan önce ürünün soğumasını bekleyin. Ürünün bakımını özenle yapın ve temiz tutun.
- Aşınmalara, deliklere veya bozulmaya karşı çöp toplayıcıyı sık sık kontrol edin.
- Sadece bu kılavuzda açıklandığı şekilde ayar veya onarım yapabilirsiniz. Diğer onarımlar için yetkili servis temsilcisini arayın.
- Güvenliğiniz için, aşınmış veya hasarlı parçaları değiştirin. Yalnızca üreticinin orijinal yedek parçalarını ve aksesuarlarını kullanın.
- Her kullanım sonrası ürünü yumuşak ve kuru bir bezle temizleyin. Hasarlı her tür parça yetkili servis merkezi tarafından uygun şekilde onarılmalı veya değiştirilmelidir.
- Ürünün güvenli çalışma durumunda olduğundan emin olmak için tüm somunların, civataların ve vidaların doğru sıklıkta sık aralıklarla takıldığını kontrol edin.
- Hareketli dişlerin ve ürünün sabit parçalarının arasına parmakların sıkışmasını önlemek için ürünü ayarlarken dikkatli olun.
- Diş grubuna bakım yaparken, güç kaynağının kapalı olmasına rağmen diş grubunun yine de döndürülebileceğini unutmayın.
- Ürünün dişleri keskindir. Bıçağı takarken, değiştirirken, temizler ya da civataların sağlığını kontrol ederken ağır iş eldivenleri kullanın.

EN
FR
DE
ES
IT
NL
PT
DA
SV
FI
NO
RU
PL
CS
HU
RO
LT
LV
ET
HR
SL
SK
BG
UK
TR

TIKANIKLIKLARIN GIDERİLMESİ

- Ürünü kapatın ve güç kaynağından ayırın.
- Tıkanıklığı kontrol ederken ve giderirken her zaman ağır işe uygun koruyucu eldiven takın. Dişler keskindir ve tıkanıklığa neden olan keskin bir cisim olabilir.
- Çöp toplayıcıyı çıkarın ve engel olup olmadığını kontrol edip engelleri giderin.
- Çim atma kanalını kontrol edin ve tıkanıklık varsa temizleyin.
- Ürünü yana yatırın, altını ve dişlerin etrafını kontrol edin. Tıkanıklık varsa dikkatlice giderin.

ARTIK RISKLER

Ürün belirtilen şekilde kullanıldığında bile belirli artık risk faktörlerini tamamen ortadan kaldırmak mümkün değildir. Kullanım sırasında aşağıdaki tehlikeler ortaya çıkabilir ve kullanıcının aşağıdaki durumları önlemek için özellikle dikkatli olması gerekir:

- Titreşim nedeniyle yaralanma.
 - İş için her zaman doğru aleti kullanın. Belirlenmiş tutamakları kullanın. Çalışma ve maruz kalma süresini sınırlayın.
- Gürültü nedeniyle yaralanma
 - Gürültüye maruz kalmak işitme sorunlarına neden olabilir. Kulak tıkaçı takın ve maruz kalma süresini sınırlandırın.
- dişlerle temas nedeniyle yaralanma
- fırlayan nesnelere yaralanmalar

RISK AZALTMA

El aletlerinden kaynaklanan titreşimlerin belirli kişilerde Raynaud Sendromu adı verilen bir durumda etkilediği bildirilmiştir. Semptomlar içerisinde parmaklarda genellikle soğuğa maruz kaldığında açığa çıkan karıncalanma, hissizlik ve ağrı yer bulunabilir. Kalıtsal faktörler, soğuğa ve neme maruz kalma, diyet, sigara içme ve çalışma uygulamalarının hepsinin bu semptomların gelişimini etkilediği düşünülmektedir. Titreşim etkilerini azaltmak için kullanıcı tarafından alınabilecek önlemler vardır:

- Soğuk havada vücut ısınızı koruyun. Ürünü kullanırken ellerinizi ve bilekleriniz için sıcak tutmak için eldiven giyin. Soğuk havanın Raynaud Sendromu'nu etkileyen önemli bir faktör olduğu bildirilmiştir.
- Her kullanım süresinden sonra kan dolaşımını artırmak için egzersiz yapın.
- Sık çalışma molası verin. Günlük maruz kalma miktarını sınırlayın.

Eğer bu durumla ilgili herhangi bir semptom görürseniz çalışmayı derhal bırakın ve doktorunuza başvurun.

⚠ UYARI

Ürünün uzun süre kullanılması nedeniyle yaralanmalar meydana gelebilir veya kötüleşebilir. Herhangi bir alet uzun süre kullanıldığında düzenli molalar verdiğinizden emin olun.

ÜRÜNÜZÜ TANIYIN

Bkz. sayfa 132.

1. Açma düğmesi
2. Tutma yerleri
3. Tetikler
4. Üst tutamak çubuğu
5. Topuzlar
6. Altıgen anahtar
7. Dişler
8. Arka tekerlek
9. Ön tekerlek
10. Uzatma kablosu
11. Havalandırma eklentisi
12. Yükseklik Ayar Kolu
13. Arka kapı
14. Döküntü toplayıcı
15. Orta tutamak direği
16. Kablo
17. Kablo kancası

ÜRÜN ÜZERİNDEKİ SEMBOLLER



Güvenlik ikazı



Lütfen makineyi çalıştırmadan önce talimatları dikkatlice okuyun.



Kulak tıkaçı takın.



Koruyucu gözlük takın.



Ürünü yağmura veya nemli koşullara maruz bırakmayın.



Fırlayan ve sıçrayan nesnelere dikkat edin. Üçüncü şahısları, özellikle çocukları ve evcil hayvanları çalışma alanından en az 15 m uzakta tutun.



Keskin dişlere dikkat edin
Dişler motor kapandıktan sonra da dönmeye devam eder.
Bakımdan önce ya da kablondan hasar görmesi durumunda fişi ana devreden çıkarın.



Esnek güç kablosu kesici dişlerin uzağında tutun.



Çalışma genişliği: 35 cm



Sınıf II: Elektrik çarpmasından korunma çifte yalıtıma ya da takviyeli yalıtıma dayanır.



Atık elektrikli ürünler evsel atıklarla birlikte atılmamalıdır. Lütfen tesislerin mevcut olduğu yerlerde geri dönüştürün. Geri dönüşüm tavsiyesi için bölgenizdeki yetkili mercie veya satıcıya başvurun.



Ürünün satın alındığı AB ülkesindeki tüm düzenleyici standartlara uygundur.



EurAsian Uygunluk İşareti



15°'den daha büyük eğimlerde kullanmayın. Ürünü yamaçlarda yukarı veya aşağıya doğru değil, yamaç boyunca kullanın.



Ukrayna uygunluk işareti.



Güvenceli ses gücü seviyesi bu etikette 100 dB olarak gösterilmektedir.

BU KILAVUZDAKİ SEMBOLLER



Ayrı satılan parçalar veya aksesuarlar



Not



Uyarı

Aşağıdaki işaret sözcükler ve anlamları bu ürünle ilişkili risk seviyelerinin açıklanmasına yöneliktir.

⚠ TEHLİKE

Önlenmemesi durumunda ölüm veya ciddi yaralanma ile sonuçlanacak ciddi tehlike içeren bir durumu gösterir.

⚠ UYARI

Önlenmemesi durumunda ölüm veya ciddi yaralanma ile sonuçlanabilecek potansiyel olarak tehlikeli bir durumu gösterir.

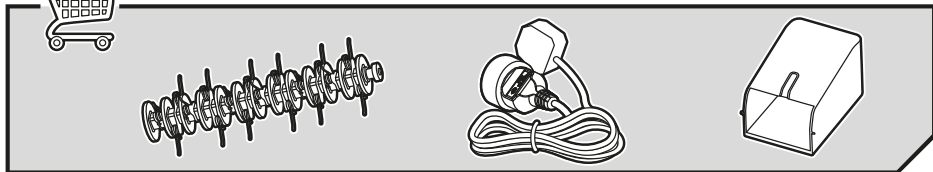
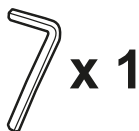
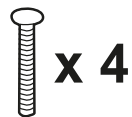
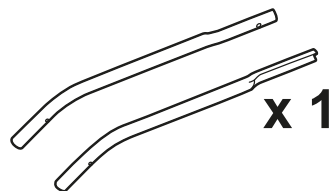
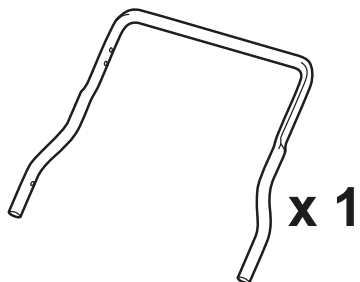
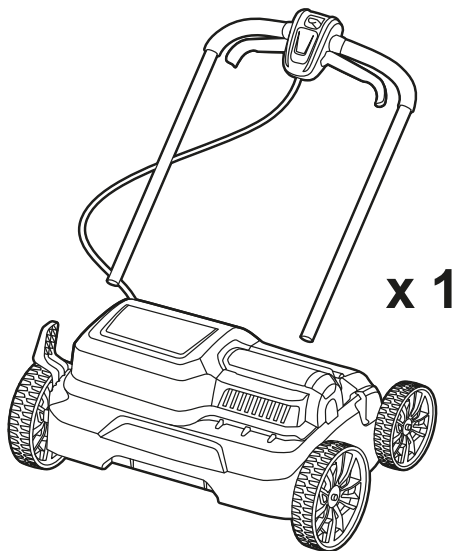
⚠ İKAZ

Önlenmemesi durumunda önemsiz veya orta derece yaralanma ile sonuçlanabilecek potansiyel olarak tehlikeli bir durumu gösterir.

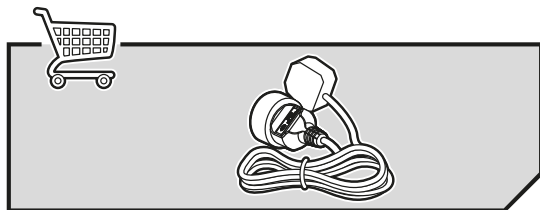
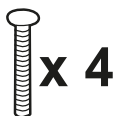
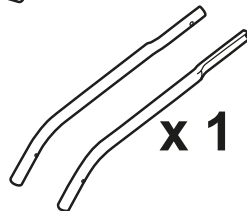
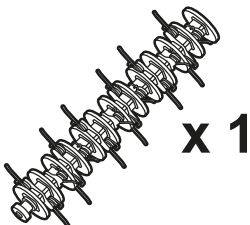
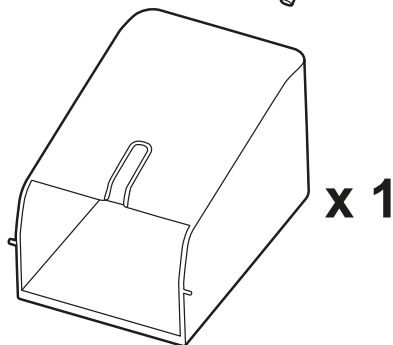
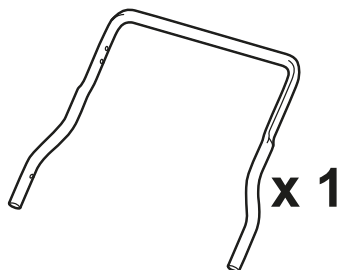
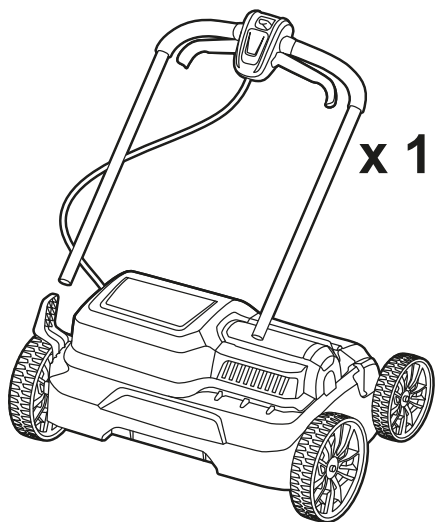
İKAZ

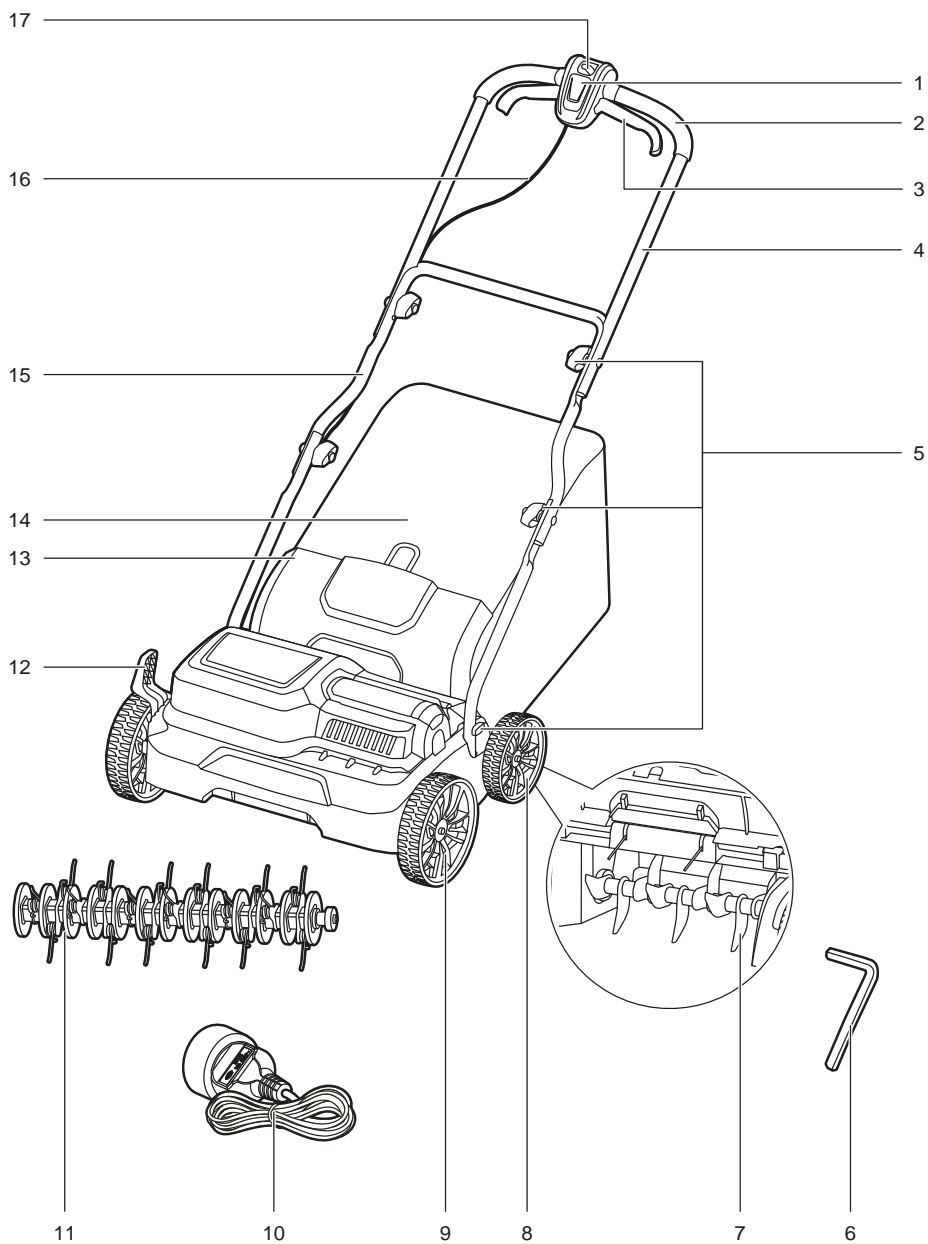
Güvenlik uyarısı sembolü olmadığına Maddi hasarla sonuçlanabilecek bir durumu gösterir.

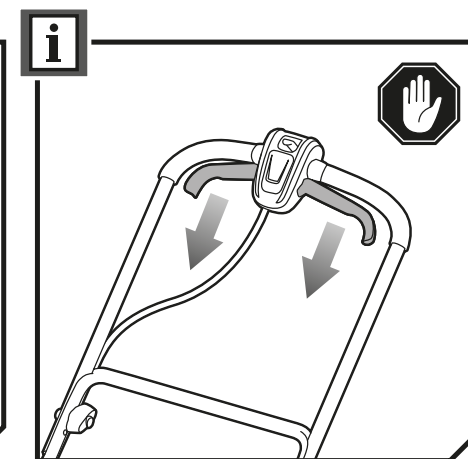
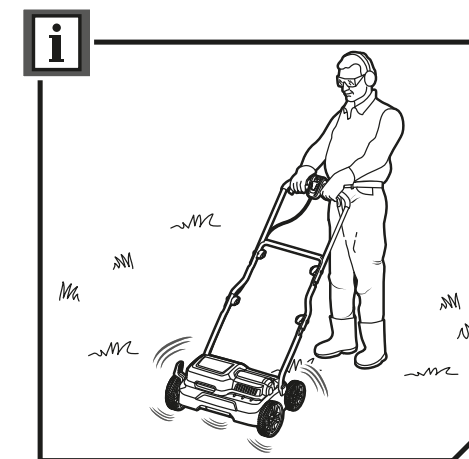
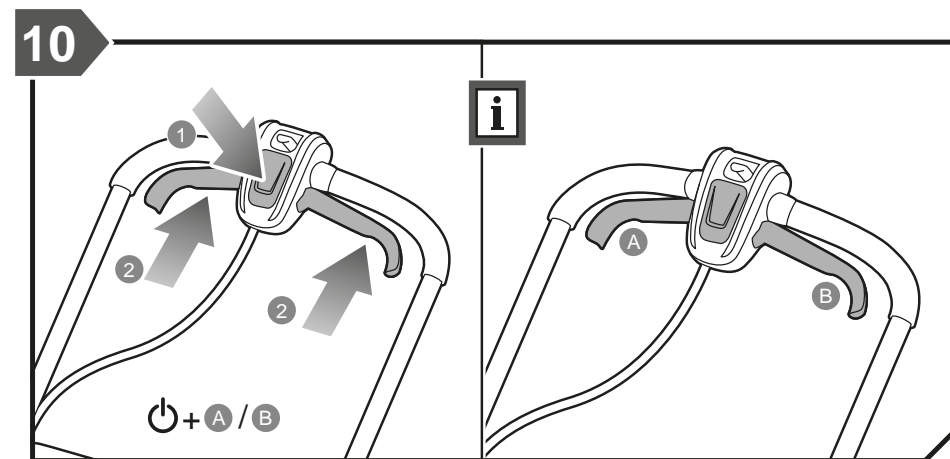
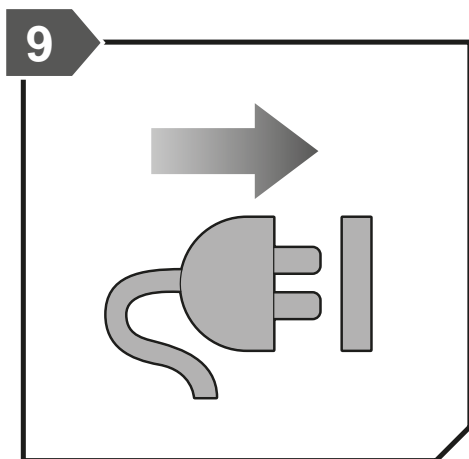
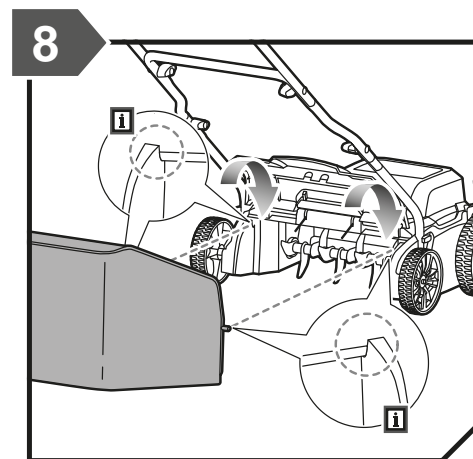
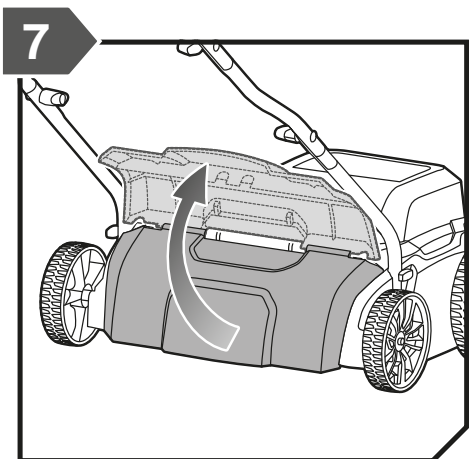
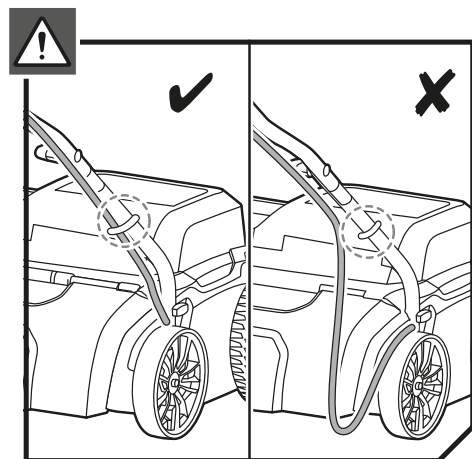
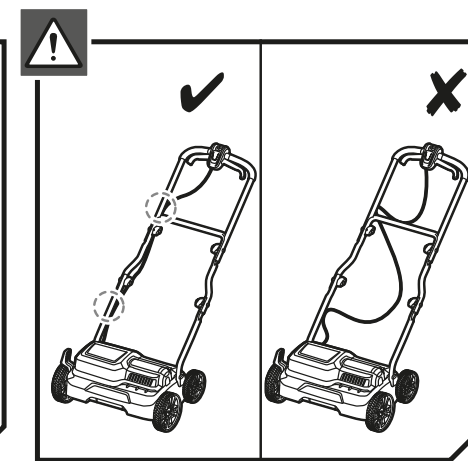
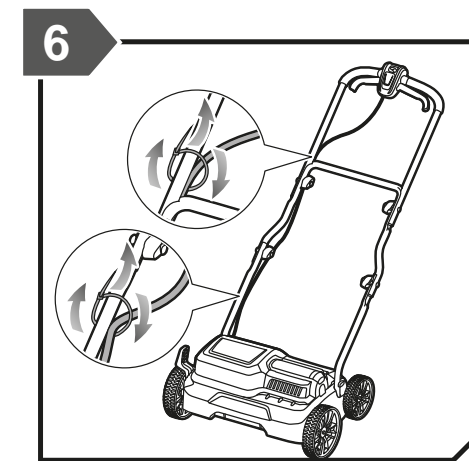
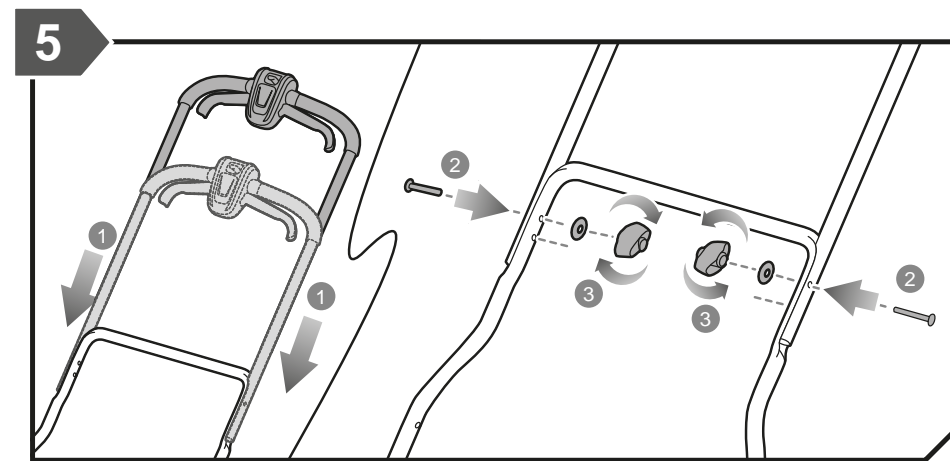
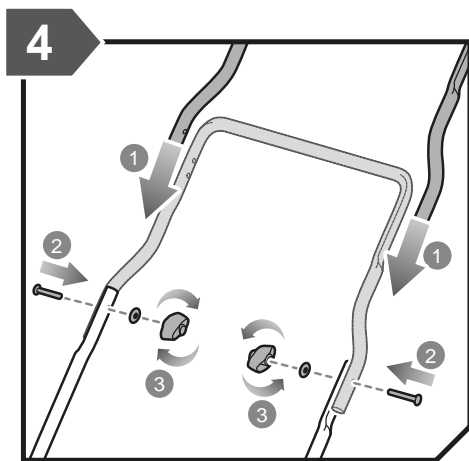
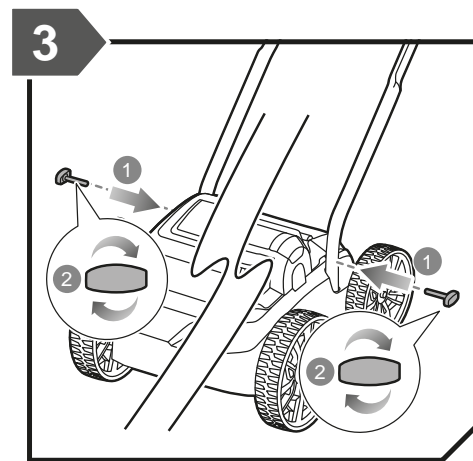
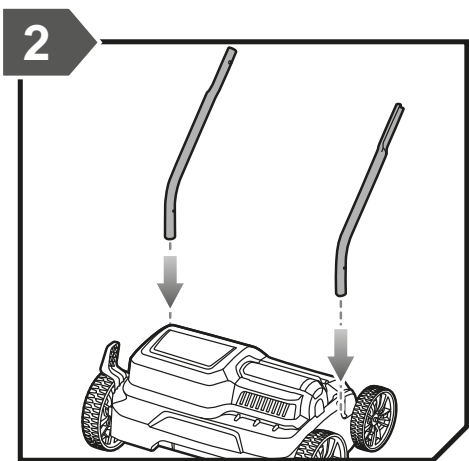
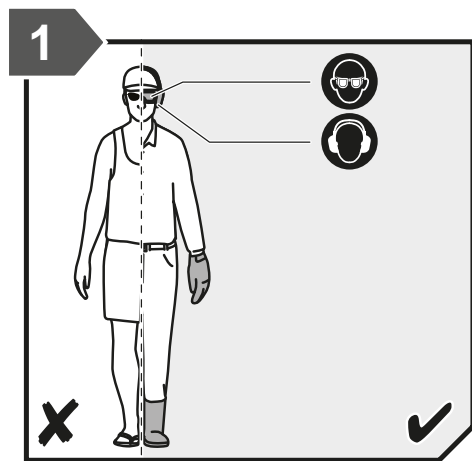
RY1400SF35A

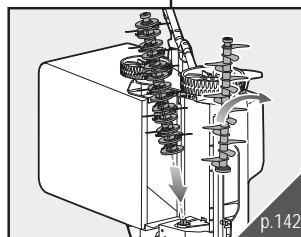
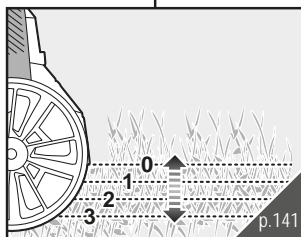
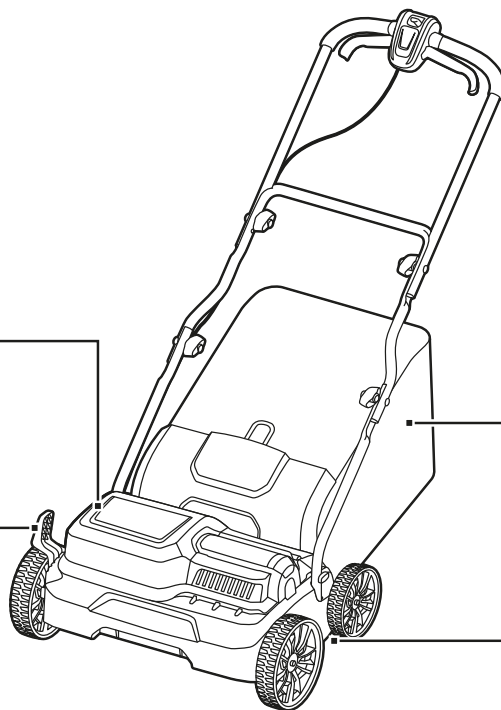
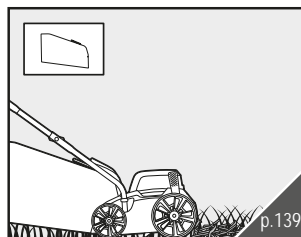
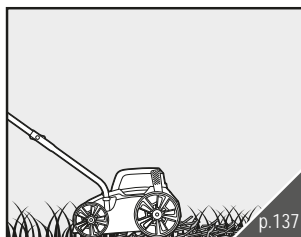


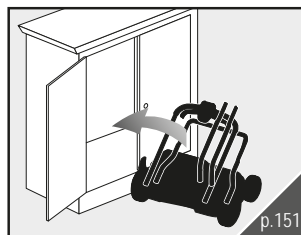
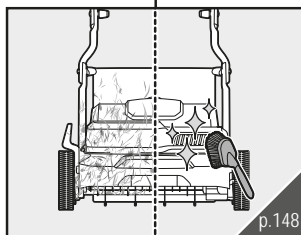
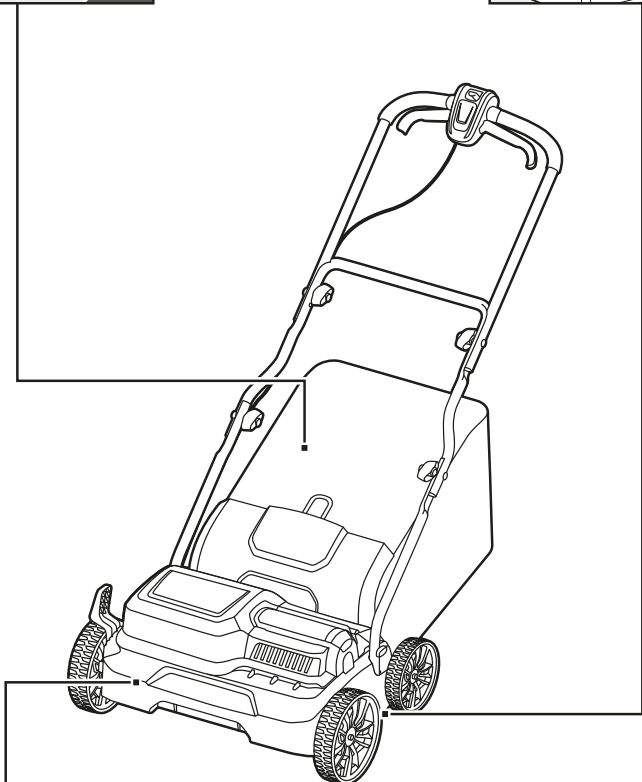
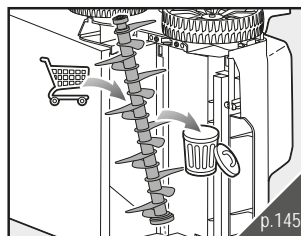
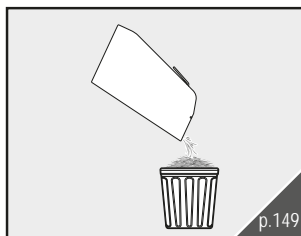
RY1400SF35B

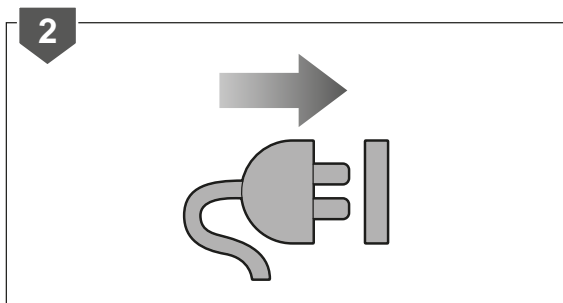
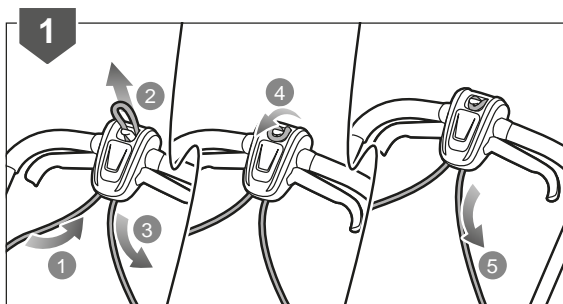
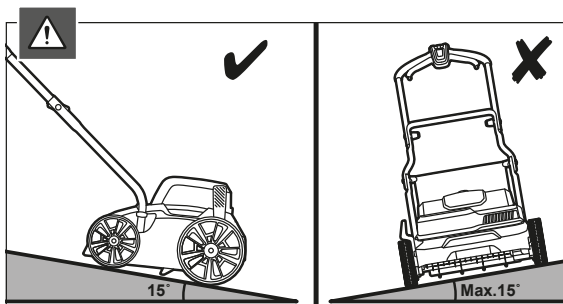
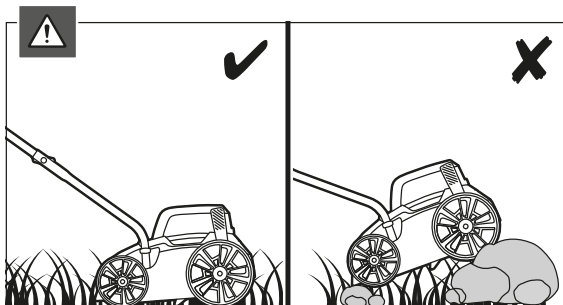
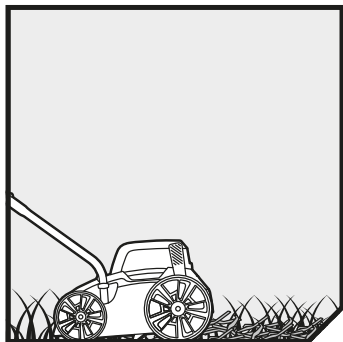


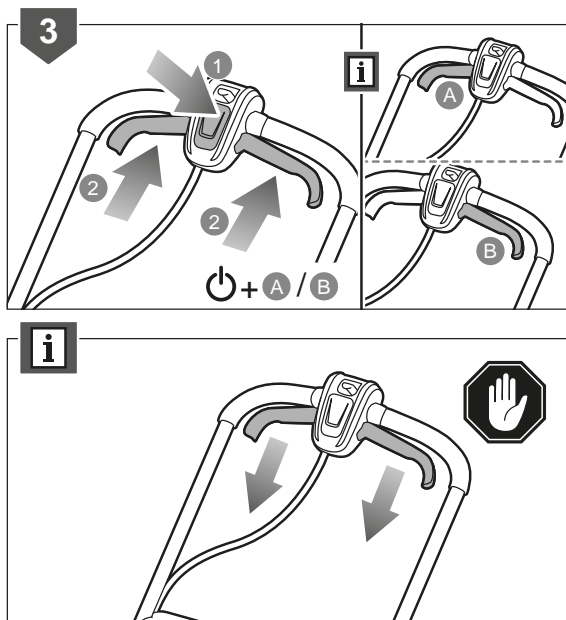


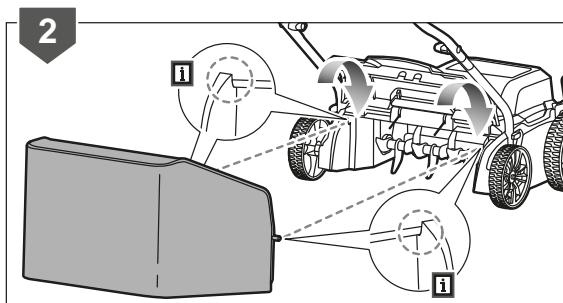
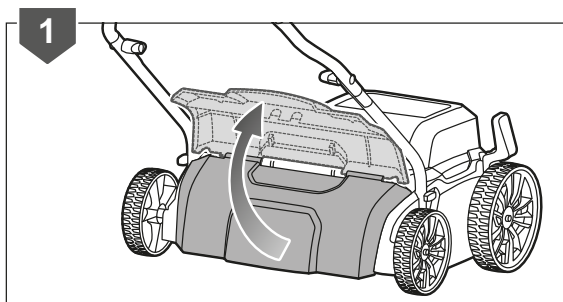
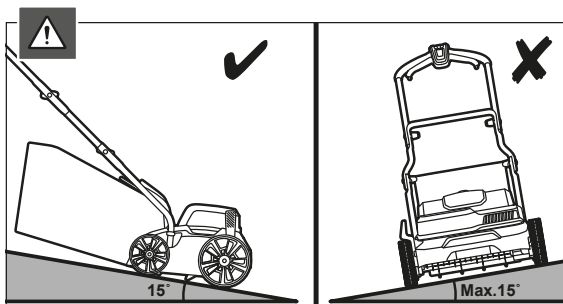
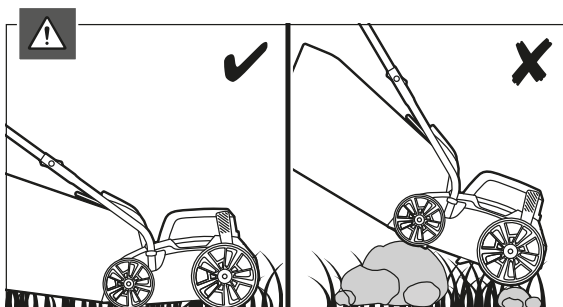
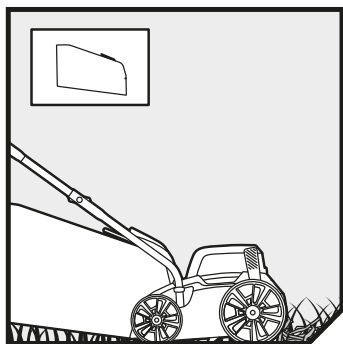


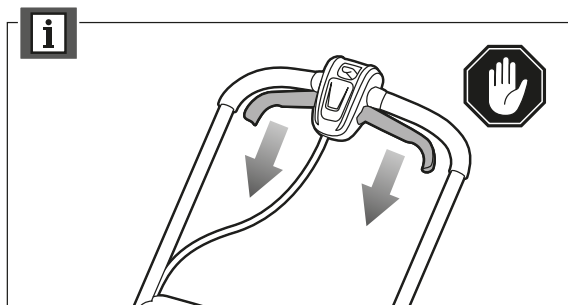
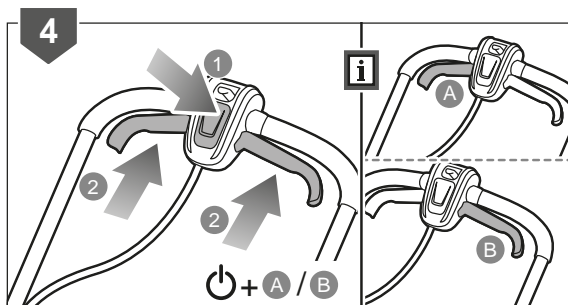
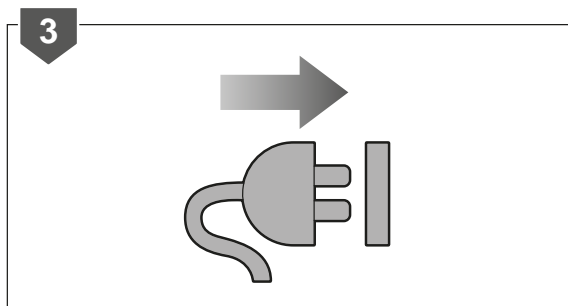
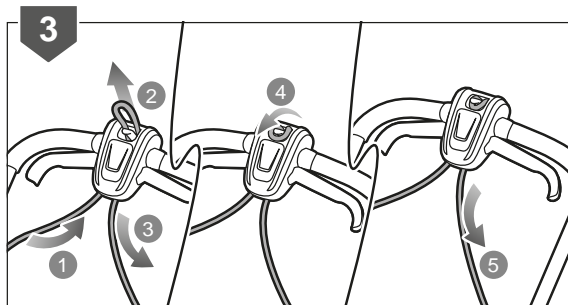


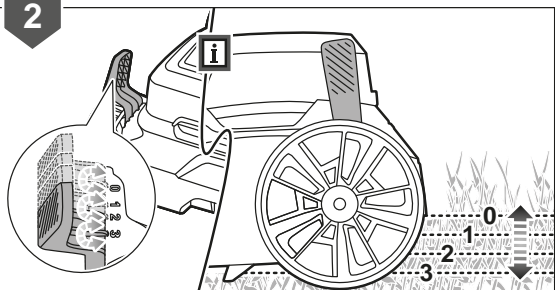
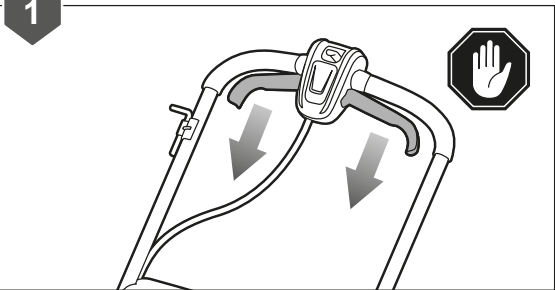
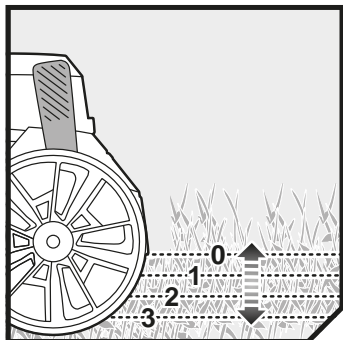


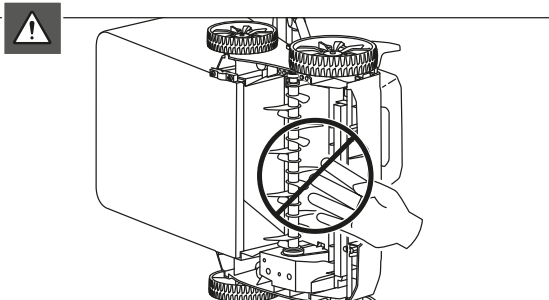
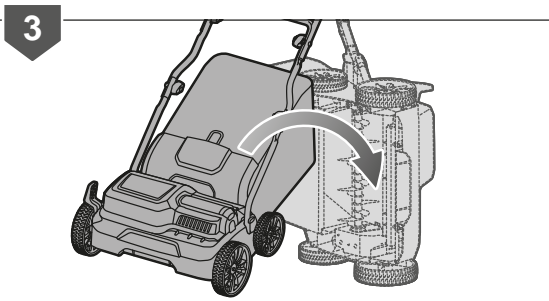
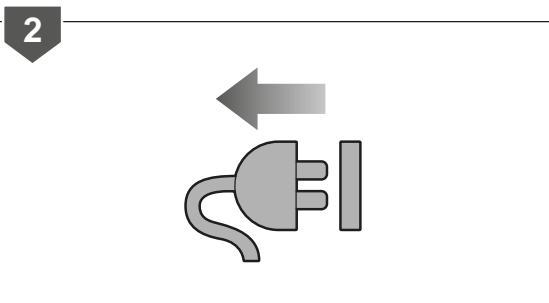
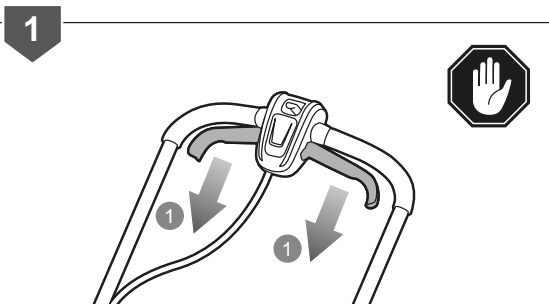
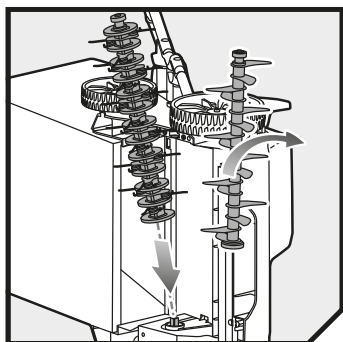


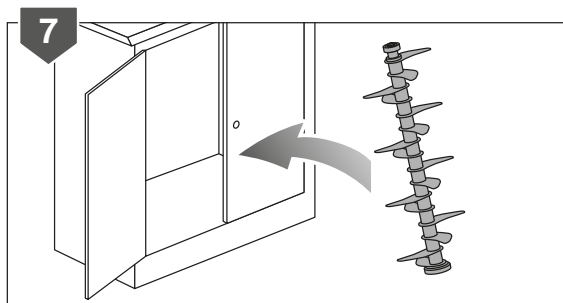
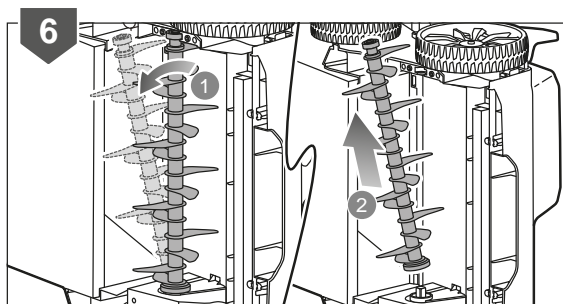
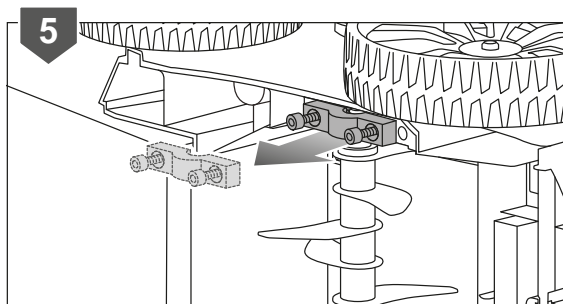
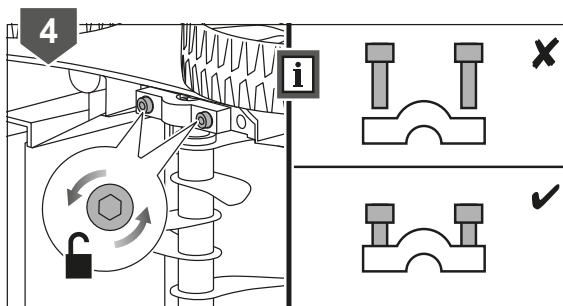


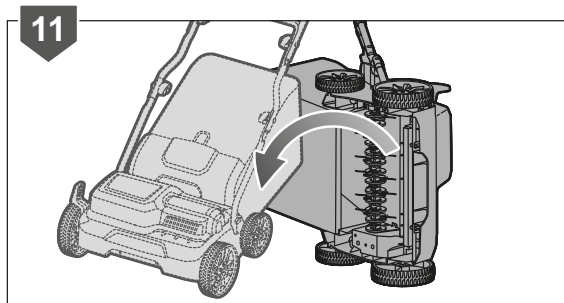
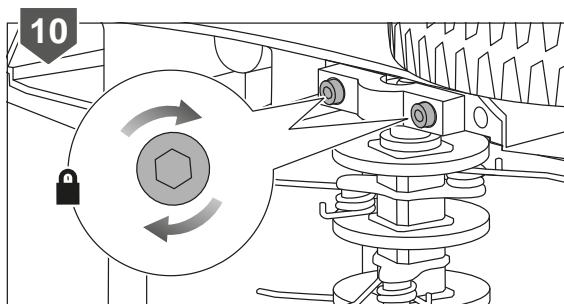
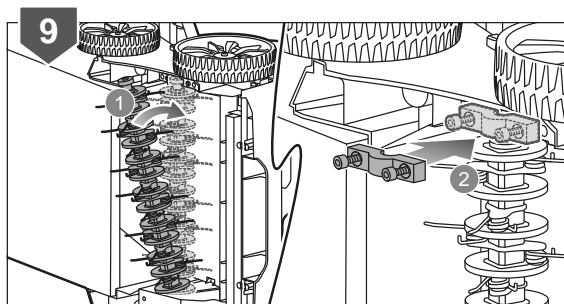
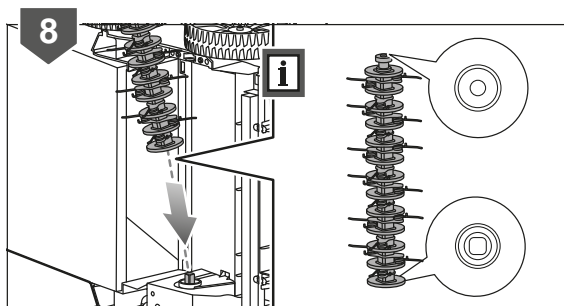


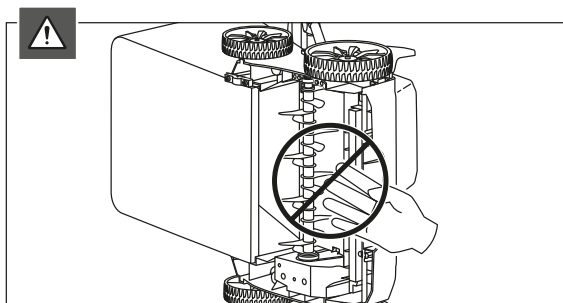
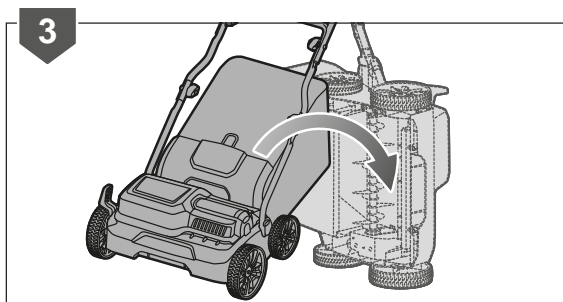
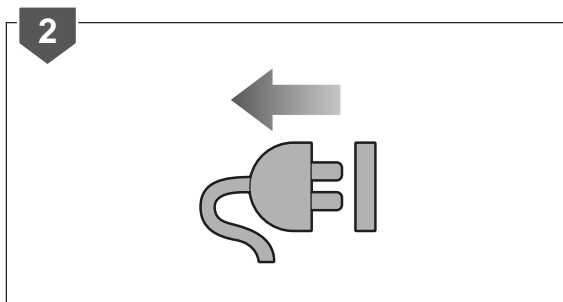
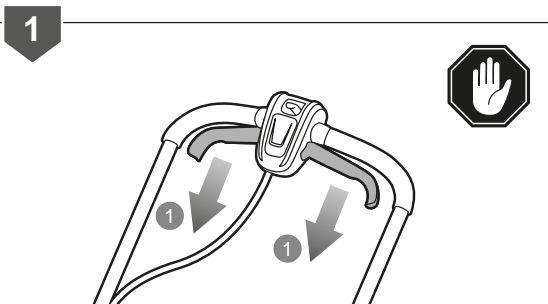
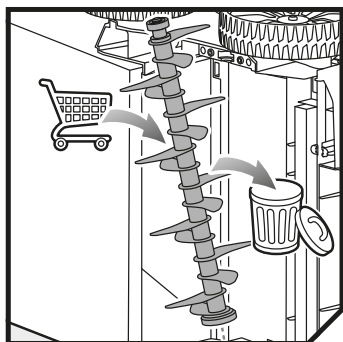


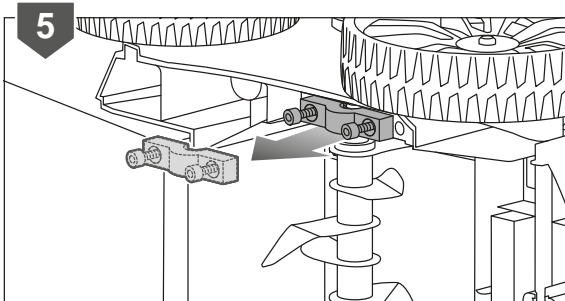
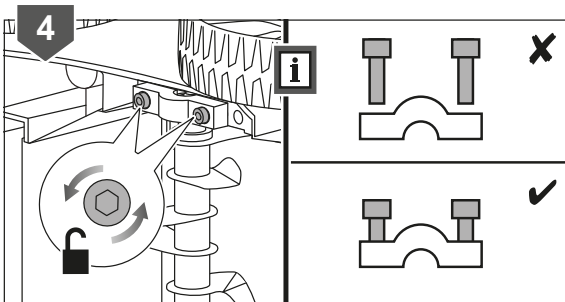
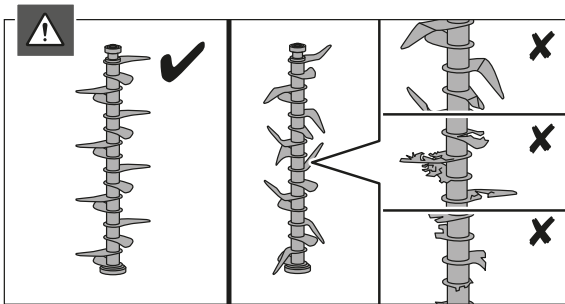
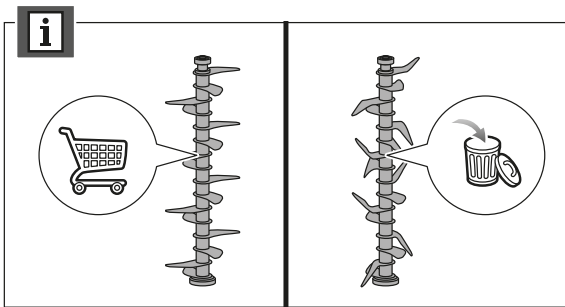


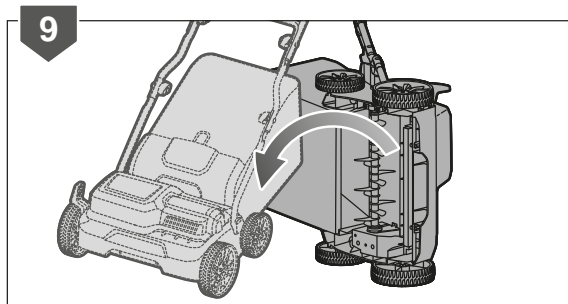
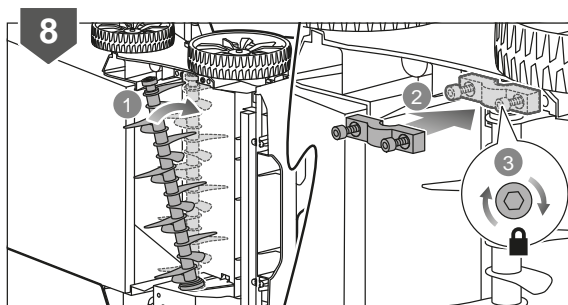
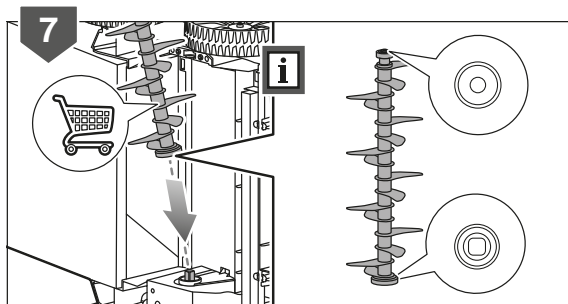
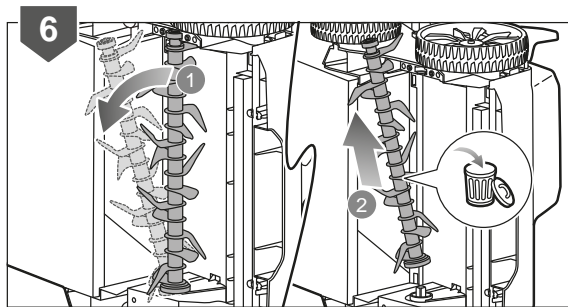


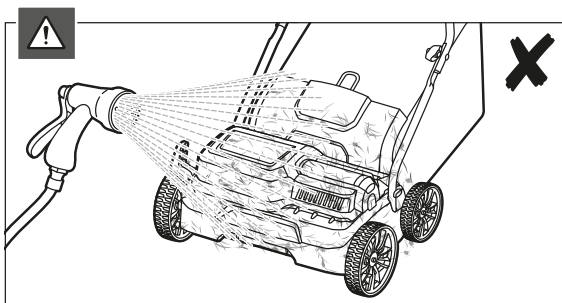
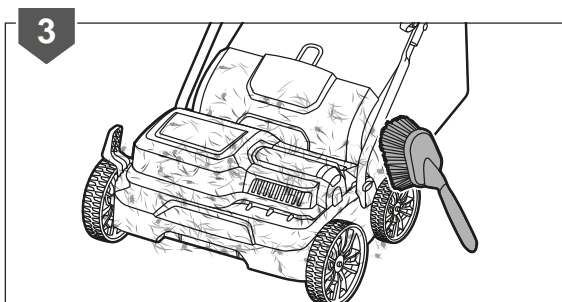
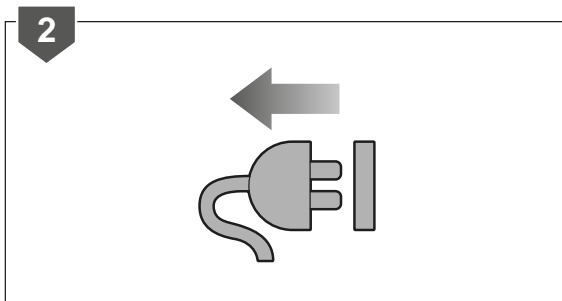
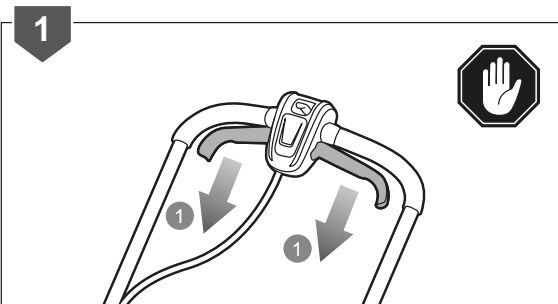
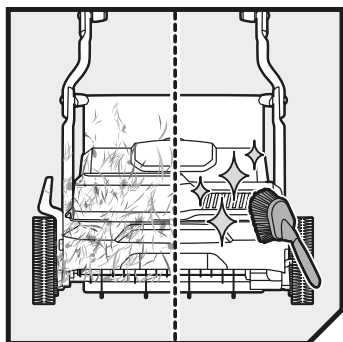


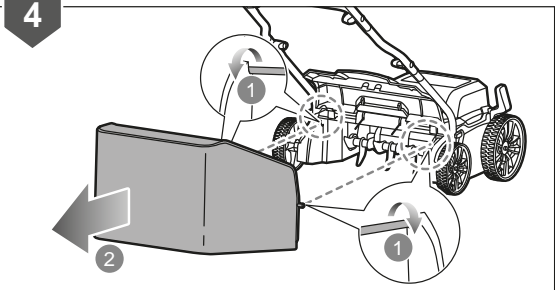
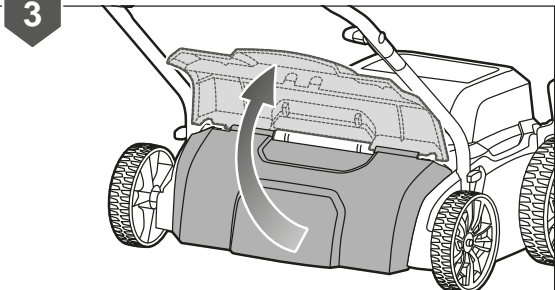
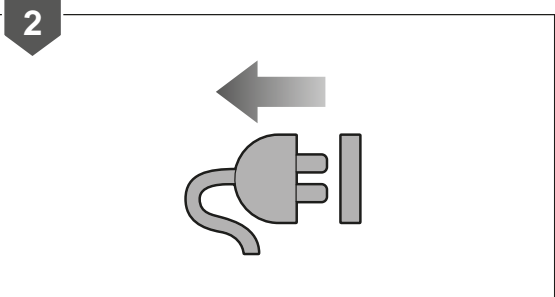
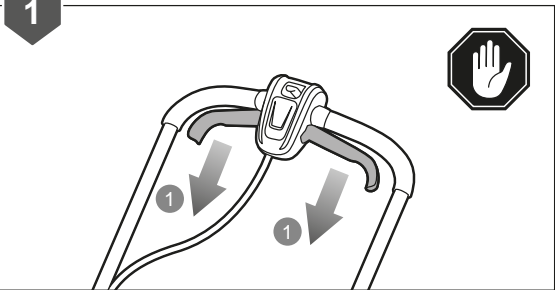
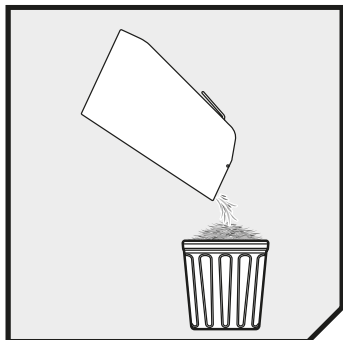






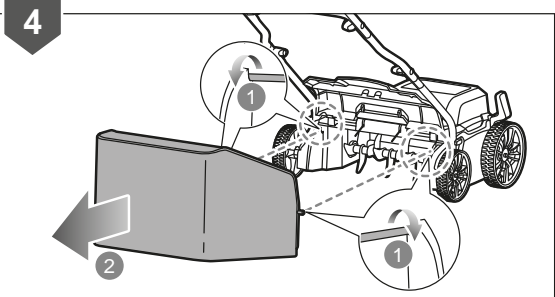
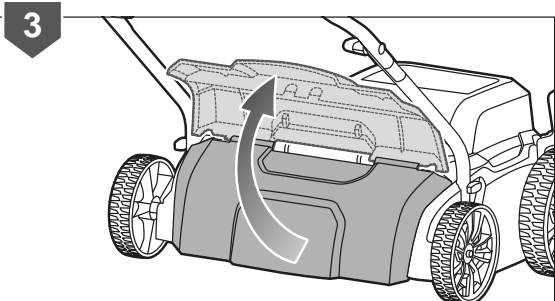
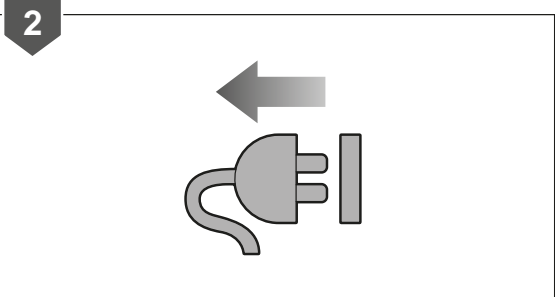
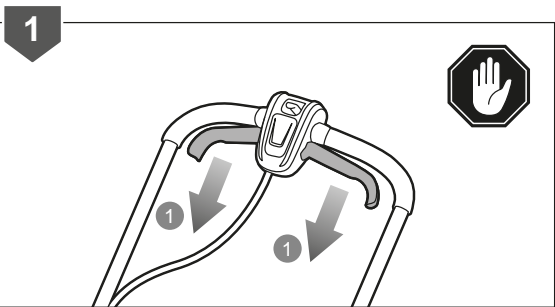
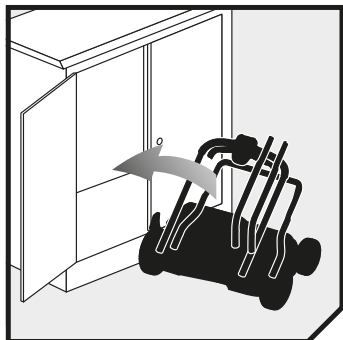


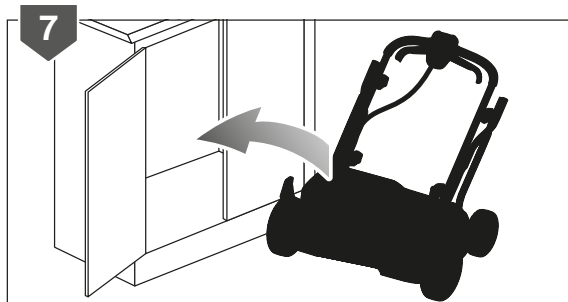
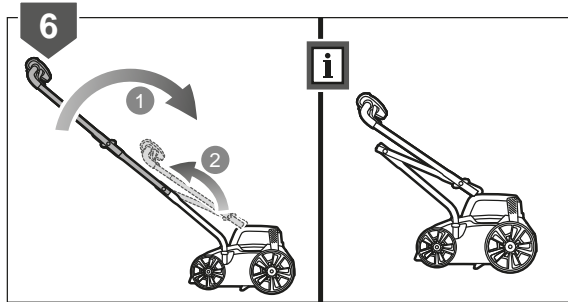
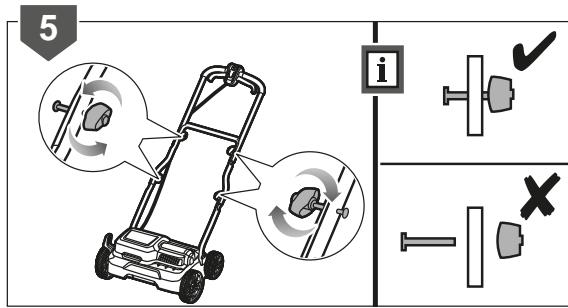




5









English	Français	Deutsch	Español	Italiano
Product specifications	Caractéristiques produit	Produkt-Spezifikationen	Características del producto	Caratteristiche del prodotto
Electric Scarifier	Scarificateur électrique	Elektro-Vertikutierer	Escarificador eléctrico	Scarificatore elettrico
Model	Modèle	Modellnummer	Modelo	Modello
Rated power	Puissance nominale	Nennleistung	Potencia nominal	Potenza nominale
Rated voltage	Tension nominale	Nennspannung	Tensión nominal	Voltaggio nominale
Working width	Largeur de travail :	Funktioniert mit:	Anchura de trabajo:	Larghezza di lavoro:
Working heights	Hauteurs de travail	Arbeitshöhen	Alturas de trabajo	Altezze di lavoro
No-load blade speed	Vitesse de lame à vide	Messergeschwindigkeit ohne Belastung	Velocidad de la cuchilla sin carga	Velocità lama senza carico
Aerator roller	Rouleau aérateur	Rasenlüfterwalze	Rodillo del aireador	Rullo areatore
Debris catcher	Collecteur de débris	Schmutzfänger	Colector de residuos	Contentitore detriti
Vibration level (in accordance with EN 50636-2-92 Annex CC)	Niveau de vibration (selon l'Annexe CC de EN 50636-2-92)	Vibrationsgrad (gemäß Anhang CC von EN 50636-2-92)	Nivel de vibración (de acuerdo con el Anexo CC de EN 50636-2-92)	Livello vibrazioni (secondo quanto disposto dall'Allegato CC della Direttiva EN 50636-2-92)
Left handle	Poignée gauche	Linker Handgriff	Empuñadura izquierda	Manico sinistro
Right handle	Poignée droite	Rechter Handgriff	Empuñadura derecha	Impugnatura destra
Uncertainty	Incertitude	Unsicherheit	Incertidumbre	Incertezza
Noise emission level (in accordance with EN 50636-2-92 Annex DD)	Niveau d'émission sonore (selon l'Annexe DD de EN 50636-2-92)	Geräuschemission (gemäß Anhang DD von EN 50636-2-92)	Nivel de emisión de ruido (de acuerdo con el Anexo DD de EN 50636-2-92)	Livello di emissione rumore (secondo quanto disposto dall'Allegato DD della Direttiva EN 50636-2-92)
A-weighted sound power level	Niveau de puissance sonore pondéré-A	A-bewerteter Schalleistungspegel	Nivel de potencia acústica ponderada en A	Livello di potenza sonora pesato A
Uncertainty	Incertitude	Unsicherheit	Incertidumbre	Incertezza
A-weighted sound pressure level	Niveau de pression sonore pondéré-A	A-bewerteter Schalldruckpegel	Nivel de presión acústica ponderada en A	Livello di pressione sonora pesato A
Uncertainty	Incertitude	Unsicherheit	Incertidumbre	Incertezza

Nederlands	Português	Dansk		
Productgegevens	Características do aparelho	Produktspecifikationer		
Elektrische vericuteerder	Escarificador eléctrico	Elektrisk plænelufter		
Model	Modelo	Model	RY1400SF35A	RY1400SF35B
Nominaal vermogen	Potência nominal	Mærkeeffekt	1400 W	1400 W
Toegekende spanning	Tensão nominal	Mærkespænding	230-240 V 50 Hz	230-240 V 50 Hz
Werkbreedte:	Largura de trabalho:	Arbejdsbredde:	350 mm	350 mm
Werkhoogte	Alturas de trabalho	Arbejdshøjder	-12mm, -8mm, -4mm, 2mm	-12mm, -8mm, -4mm, 2mm
Snelheid van het snijblad zonder belasting	Velocidade da lâmina sem carga	Bladhastighed uden belastning	3300/min	3300/min
Beluchtingsrol	Rolo do aerador	Plænelufferrulle	not included	included
Puinopvanger	Coletor de resíduos	Opsamler	not included	55 L
Trillingsniveau (in overeenstemming met bijlage CC van EN 50636-2-92)	Nível de vibração (em conformidade com o Anexo CC de EN 50636-2-92)	Vibrationsniveau (iht. bilag CC til EN 50636-2-92)		
Linkerhandvat	Pega esquerda	Venstre håndtag	5.2 m/s ²	5.2 m/s ²
Rechter handvat	Pega direita	Højre håndtag	5.4 m/s ²	5.4 m/s ²
Onzekerheid	Incerteza	Usikkerhed	K = 1.5 m/s ²	K = 1.5 m/s ²
Geluidsemissieniveau (in overeenstemming met bijlage DD van EN 50636-2-92)	Nível de emissão de ruído (em conformidade com o Anexo DD de EN 50636-2-92)	Støjemissionsniveau (iht. bilag DD til EN 50636-2-92)		
A-gewogen geluidsniveau	Nível de potência sonora ponderada A	A-vægtet lydeffektniveau	$L_{\text{wa}} = 98.3 \text{ dB}$	$L_{\text{wa}} = 98.3 \text{ dB}$
Onzekerheid	Incerteza	Usikkerhed	K = 1.6 dB(A)	K = 1.6 dB(A)
A-gewogen geluidsdruk niveau	Nível de pressão sonora ponderada A	A-vægtet lydtryksniveau	$L_{\text{pa}} = 84.9 \text{ dB}$	$L_{\text{pa}} = 84.9 \text{ dB}$
Onzekerheid	Incerteza	Usikkerhed	K = 3 dB(A)	K = 3 dB(A)

Svenska	Suomi	Norsk	Русский	Polski
Produktspecifikationer	Tuotteen tekniset tiedot	Produktspesifikasjoner	Характеристики изделия	Parametry techniczne
Elektrisk hackare	Sähkökäyttöinen nurmikoneyletyn	Elektrisk harve	Электрический скарификатор	Wertykulator elektryczny
Modell	Malli	Modell	Модель	Model
Klassad effekt	Nimellisteho	Nominell effekt	Номинальная мощность	Moc znamionowa
Spänning	Nimellispännte	Nominell spenning	Номинальное напряжение	Napięcie znamionowe
Arbetsbredd:	Työskentelyleveys:	Arbeidsbredd:	Рабочая ширина:	Szerokość robocza
Arbetshöjder	Työskentelykorkeudet	Arbeidshøyder	Рабочая высота	Wysokości robocze
Bladhastighet utan belastning	Terän nopeus ilman kuormitusta	Bladhastighet uten belastning	Скорость вращения лезвия без нагрузки	Prędkość obrotu noży bez obciążenia
Luftarens rulle	Ilmaajan tela	Luftervals	Аэрационный валик	Walek do aeracji
Skräppupsamlare	Silpunkeräin	Avfallssamler	Мусороуловитель	Kosz na odpadki
Vibrationsnivå (enligt Annex CC i EN 50636-2-92)	Tärinätaaso (standardin EN 50636-2-92 liitteen CC mukaisesti)	Vibrasjonsnivå (iht. tillegg CC i EN 50636-2-92)	Уровень вибрации (в соответствии с Приложением CC стандарта EN 50636-2-92)	Poziom vibracji (zgodnie z aneksem CC normy EN 50636-2-92)
Vänster handtag	Vasen kahva	Venstre håndtak	Левая рукоятка	Lewy uchwyt
Höger handtag	Oikea kahva	Høyre håndtak	Правая ручка	Prawy uchwyt
Osäkerhet	Epätarkkuus	Usikkerhet	Погрешность	Nieprecyzność pomiaru
Bullerutsläppsnivå (enligt Annex DD i EN 50636-2-92)	Melutaso (standardin EN 50636-2-92 liitteen DD mukaisesti)	Støyutslippsnivå (iht. tillegg DD i EN 50636-2-92)	Уровень шума (в соответствии с Приложением DD стандарта EN 50636-2-92)	Poziom emisji hałas (zgodnie z aneksem DD normy EN 50636-2-92)
A-vägd ljudeffektsnivå	A-painotettu äänenteho	A-vektet lydteffektnivå	Уровень А-взвешенной звуковой мощности	A-ważony poziom natężenia hałas
Osäkerhet	Epätarkkuus	Usikkerhet	Погрешность	Nieprecyzność pomiaru
A-vägd ljudtrycksnivå	A-painotettu äänenpainetaso	A-vektet lydtrykknivå	Уровень А-взвешенного звукового давления	A-ważony poziom ciśnienia hałas
Osäkerhet	Epätarkkuus	Usikkerhet	Погрешность	Nieprecyzność pomiaru

Čeština	Magyar	Română		
Technické údaje produktu	Termék műszaki adatai	Specificațiile produsului		
Elektrický rozříváč	Elektromos talajlazító	Sapá de mică adâncime electrică		
Model	Tipus	Model	RY1400SF35A	RY1400SF35B
Jmenovitý výkon	Névleges teljesítmény	Puterea nominală	1400 W	1400 W
Jmenovitá napětí	Névleges feszültség	Tensiunea nominală	230-240 V 50 Hz	230-240 V 50 Hz
Šířka záběru:	Munkaszélesség:	Lățime de lucru:	350 mm	350 mm
Provozní výšky	Munkamagasság	Cote de lucru	-12mm, -8mm, -4mm, 2mm	-12mm, -8mm, -4mm, 2mm
Otáčky nožů bez zatížení	Terhelés nélküli penge sebessége	Viteza de rotație a lamei fără sarcină	3300/min	3300/min
Válec provzdušňovače	Gyepszellőztető görgő	Rollă aerator	not included	included
Sběrný koš	Szennygyűjtőedény	Colector de deșeurî	not included	55 L
Úroveň vibrací	Vibrációs szint (az EN 50636-2-92 CC függeléke szerint)	Nivel de vibrație (în conformitate cu Anexa CC a EN 50636-2-92)		
(v souladu s přílohou CC normy EN 50636-2-92)	Bal fogantyú	Măner stânga	5.2 m/s ²	5.2 m/s ²
Levá rukojeť	Jobb fogantyú	Măner dreapta	5.4 m/s ²	5.4 m/s ²
Pravá rukojeť	Bizonytalanság	Incertitudine	K = 1.5 m/s ²	K = 1.5 m/s ²
Nejistota	Hangkibocsátási szint (az EN 50636-2-92 DD függeléke szerint)	Nivel emisie zgomot (în conformitate cu Anexa DD a EN 50636-2-92)		
Hladina emise hluku	A-súlyozott hangteljesítményszint	Nivel de putere acustică ponderată A	L _{WA} = 98.3 dB	L _{WA} = 98.3 dB
(v souladu s přílohou DD normy EN 50636-2-92)	Bizonytalanság	Incertitudine	K = 1.6 dB(A)	K = 1.6 dB(A)
Hladina akustického tlaku vážená funkcí A	A-súlyozott hangnyomásszint	Nivel de presiune acustică ponderată A	L _{pA} = 84.9 dB	L _{pA} = 84.9 dB
Nejistota	Bizonytalanság	Incertitudine	K = 3 dB(A)	K = 3 dB(A)

Latviski	Lietuviškai	Eesti	Hrvatski	Slovensko
Produkta specifikācijas	Gaminio techninės savybės	Toote tehnilised andmed	Specifikacije proizvoda	Specifikacije izdelka
Elektriskais skarifkators	Elektrinis porentuvas	Elektriline murukobestaja	Električna grebalića	Električna brana
Modelis	Modelis	Mudel	Model	Model
Nominālā jauda	Nominali galia	Nimivõimsus	Nazivna snaga	Nazivna moč
Nominālais spriegums	Nominali lampā	Nimipinge	Nazivni napon	Nazivna napetost
Darba platums:	Darbinis plotis:	Töölaius:	Radna širina:	Delovna širina:
Darba augstumi	Darbinis aukštis	Töökõrgused	Radne visine	Delovne višine
Asmens ātrums bez slodzes	Peiliio sukimosi greitis be apkrovos	Tera töökiirus koormuse puudumisel	Brzina oštrice bez opterećenja	Hitrost neobremenjenih rezil
Aeratora rullītis	Aeratoriaus volas	Õhutaja rullik	Valjak prozračivača travnjaka	Kolo aeratorja
Gružu uztvērējs	Šūukšlių gaudyklė	Prahikoguja	Hvatač otpadaka	Lovilec drobirja
Vibrācijas līmenis (saskaņā ar direktīvas EN 50636-2-92 CC pielikumu)	Vibrācijas līgis (pagal EN 50636-2-92 standarto CC priedā)	Vibratsioonitase (vastavalt standardi EN 50636-2-92 lisale CC)	Razina vibracija (u skladu s Dodatkom CC EN 50636-2-92)	Nivo vibracij (v skladu z dodatkom CC standarda EN 50636-2-92)
Kreisais rokturis	Kairės pusės rankena	Vasak käepide	Lijeva ručka	Levi ročaj
Labās puses rokturis	Dešinioji rankena	Parempoolne käepide	Desna ručka	Desni ročaj
Nenoteiktība	Nepastovumas	Määramatus	Neodređenost	Negotovost
Troksņu emisijas līmenis (saskaņā ar direktīvas EN 50636-2-92 DD pielikumu)	Skleidžiama triukšmo lygis (pagal EN 50636-2-92 standarto DD priedā)	Vibratsioonitase (vastavalt standardi EN 50636-2-92 lisale DD)	Razina emisija buke (u skladu s Dodatkom DD EN 50636-2-92)	Raven emisij hrupa (v skladu z dodatkom DD standarda EN 50636-2-92)
A-līmeņa skaņas jaudas līmenis	A-svertinis akustinis lygis	A-kaalutud helivõimsuse tase	Ponderirana razina zvučne snage	A-izmerjena raven zvočne moči
Nenoteiktība	Nepastovumas	Määramatus	Neodređenost	Negotovost
A-līmeņa skaņas spiediena līmenis	A-svertinis garso galios lygis	A-kaalutud helirõhu tase	Ponderirana razina tlaka zvuka	A-izmerjena raven zvočnega tlaka
Nenoteiktība	Nepastovumas	Määramatus	Neodređenost	Negotovost

Slovenčina	България	Українська	Türçe		
Špecifikácie produktu	Технически характеристики	Технічні характеристики пристрою	Ürün teknik özellikleri		
Elektrický prevzdušňovač	Електрически скарifizатор	Електричний розпушувач	Elektrikli Tirmik		
Modelis	Модел	Модель	Model	RY1400SF35A	RY1400SF35B
Menovitý výkon	Номинална мощност	Номинальна потужність	Nominal güç	1400 W	1400 W
Menovité napätie	Номинален волтаж	Номинальна напруга	Nominal voltaj	230-240 V 50 Hz	230-240 V 50 Hz
Pracovní šířka:	Работна ширина:	Робоча ширина	Çalışma genişliği:	350 mm	350 mm
Pracovní výška	Работни височини	Робоча висота	Çalışma yükseklikleri	-12mm, -8mm, -4mm, 2mm	-12mm, -8mm, -4mm, 2mm
Voľnobežná rýchlosť čepele	Скорост на острието на празен ход	Швидкість леза без навантаження	Yüksüz bıçak hızı	3300/min	3300/min
Valček aerátora	Ролика на аератор	Ролик аератора	Havalandırıcı Rulo	not included	included
Lapač úlomkov	Кощ за отпадци	Уловлявач сміття	Döküntü Toplayıcı	not included	55 L
Úroveň vibrácií (v súlade s Dodatkom CC v EN 50636-2-92)	Ниво на вибрациите (в съответствие с приложение CC на EN 50636-2-92)	Рівень вібрації (відповідно до EN 50636-2-92 Annex CC)	Titreşim seviyesi (EN 50636-2-92, Ek CC uyarınca)		
Ľavá rukoväť	Лява ръкохватка	Ліва ручка	Sol Kulp	5.2 m/s ²	5.2 m/s ²
Pravá rukoväť	Дясна ръкохватка	Правя ручка	Sağ Kulp	5.4 m/s ²	5.4 m/s ²
Neurčitost	Променливост	Похибка	Belirsiz	K = 1.5 m/s ²	K = 1.5 m/s ²
Úroveň emisii hluku (v súlade s Dodatkom DD v EN 50636-2-92)	Ниво на шумовите емисии (в съответствие с приложение DD на EN 50636-2-92)	Рівень шуму (відповідно до EN 50636-2-92 Annex DD)	Gürültü emisyon seviyesi (EN 50636-2-92 Ek DD uyarınca)		
Vážená A hladina akustického výkonu	Ниво на силата на шума с равнище A	A-зважений рівень звукової потужності	A ağırlıklı ses gücü seviyesi	L _{WA} = 98.3 dB	L _{WA} = 98.3 dB
Neurčitost	Променливост	Похибка	Belirsiz	K = 1.6 dB(A)	K = 1.6 dB(A)
Vážená A hladina akustického tlaku	Ниво на шумово налягане с равнище A	A-зважений рівень звукового тиску	A-ağırlıklı ses basınç seviyesi	L _{pA} = 84.9 dB	L _{pA} = 84.9 dB
Neurčitost	Променливост	Похибка	Belirsiz	K = 3 dB(A)	K = 3 dB(A)

English	Français	Deutsch	Español	Italiano	Nederlands
Replacement parts	Pièces de Rechange	Ersatzteile	Piezas de repuesto	Parti di ricambio	Vervangonderdelen
Scarifier blade	Lame du scarificateur	Vertikutierermesser	Cuchilla del escarificador	Lama scarificatore	Verticuteersnijblad
Aerator Roller	Rouleau aérateur	Rasenlüfterwalze	Rodillo del aireador	Rullo areatore	Beluchtingsrol
Debris Catcher	Collecteur de débris	Schmutzfänger	Colector de residuos	Contentitore detriti	Puinopvangner
Note: Visit your local special orders desk or contact RYOBI Customer Service for replacement parts.	Remarque: Pour obtenir des pièces de rechange, consultez le bureau local chargé des commandes spéciales ou le service client RYOBI.	HINWEIS: Wenden Sie sich an Ihren örtlichen Kundendienst oder kontaktieren Sie den RYOBI-Kundendienst, um Ersatzteile zu erhalten.	Nota: Visite su servicio local de pedidos especiales o póngase en contacto con el Servicio de atención al cliente de RYOBI para obtener piezas de recambio.	Nota: Recarsi presso il banco ordini speciali di zona oppure contattare l'assistenza clienti RYOBI per i pezzi di ricambio.	Opmerking: Bezoek de lokale verkoopspecialisten of neem contact op met de klantenservice van RYOBI voor vervangende onderdelen.

Polski	Čeština	Magyar	Română	Latviski	Lietuviškai	Eesti
Części zamienne	Náhradní díly	Cserealkatrészek	Piese de schimb	Rezerves daļas	Atsarginės detalės	Asendusosad
Szpikulec do aeracji	Rozrývací nože	Talajazító penge	Lama sapei de adâncime mică	Skarifikatora asmens	Purentuvo peilis	Kobestaja tera
Walek do aeracji	Válec provzdušňovače	Gyepszellőztető görgő	Rollă aerator	Aeratora rullītis	Aeratoriaus volas	Ūhutaja rullik
Kosz na odpadki	Sběrný koš	Szennyöződésgyűjtő	Colector de deșeurî	Gružu uztvērējs	Šiukšlių gaudyklė	Prahikoguja
Objasňenie: W celu uzyskania części zamiennych należy odwiedzić lokalny dział zamówień specjalnych lub skontaktować się z Działem Obsługi Klienta firmy RYOBI.	Poznámka: Náhradní díly objednávejte přes místního dodavatele nebo se obraťte na oddělení zákaznických služeb RYOBI.	Megjegyzés: Cserealkatrészekért látogassa meg a helyi különleges rendelések pultrót vagy lépjen kapcsolatba a RYOBI ügyfélszolgálatával.	Notă: Vizitați reprezentanța dvs. locală de vânzări sau contactați Serviciul Asistență Clienti RYOBI pentru piese de schimb.	Piezīme: Rezerves daļas meklējiet jūsu vietējā tīrāšo pasūtījumu centrā vai sazinieties ar RYOBI Klientu apkalpošanas dienestu.	Pastaba: Jei pirreiktų keičiamųjų dalių, nuvykite į vietos specialiujų užsakymų biurą arba kreipkitės į RYOBI klientų aptarnavimo tarnybą.	Märkus: Varuosade tellimiseks pöörduge kohaliku tellimispunkti poole või võtke ühendust RYOBI klienditeenindusega.

Português	Dansk	Svenska	Suomi	Norsk	Русский	
Peças de substituição	Reserve dele	Utbytesdelar	Varaosat	Erstatningsdeler	Запасные части	
Lâmina do escafificador	Blad til mosfjerner	Hackarens blad	Nurmikonevelytimen terä	Harveblad	Лезвие для скарификации	5131042544
Rolo do aerador	Plænelufterrulle	Luftarens rulle	Ilmaajan tela	Luftervals	Аэраторный валик	5132004632
Coletor de resíduos	Opsamler	Skrapoppussamlare	Silpunkeräin	Avfallssamler	Мусороуповитель	5132004633
Nota: Visite o seu ponto de encomendas especiais local ou contacte o Apoio ao cliente da RYOBI para obter peças de substituição.	Bemærk: Besøg din lokale specialbutik eller kontakt RYOBI kundeservice for reservedele.	OBS: Besök ditt lokala kontor för specialbeställningar eller kontakta RYOBI-kundservice för reservedelar.	Huomautus: Kun tarvitsset varaosia, käy paikallisessa toimipisteessä tai ota yhteyttä RYOBI-asiakaspalveluun.	Merk: Besøk den lokale spesialbestillingskranken eller ta kontakt med RYOBI kundeservice for reservedeler.	Примечание: Для приобретения запасных деталей обращайтесь в региональную службу специальных заказов или в клиентскую службу RYOBI.	

Hrvatski	Slovensko	Slovenčina	България	Українська	Türce	
Zamjena dijelova	Nadomestni deli	Náhradné diely	Резервни части	Запасні частини	Yedek Parça	
Oštrica grebalice	Rezilo brane	Prevzdušňovacia čepeľ	Острие на скарификатор	Лезо розпушувача	Tirmik bıçağı	5131042544
Valjak prozračivača travnjaka	Kolo aeratorja	Valček aerátora	Ролка на аератор	Ролик аератора	Havalandırıcı Rulo	5132004632
Hvatač otpadaka	Lovilec drobitja	Lapač úlomkov	Кош за отпадъци	Уловлювач сміття	Döküntü Toplayıcı	5132004633
Napomena: Posjetite vaš lokalni ured za posebne narudžbe ili kontaktirajte RYOBI korisničku službu za zamjenske dijelove.	Opomba: Za nadomestne dele se obrnite na lokalno poslovalnico za posebna naročila ali službo za storitve za stranke RYOBI.	Poznámka: Ak potrebujete náhradné diely, navštívte miestne oddelenie pre špeciálne objednávky alebo sa obráťte na zákaznícky servis RYOBI.	Забелешка: За поръчка на резервни части посетете местното бюро за специални поръчки или се свържете с центъра за обслужване на клиенти на RYOBI.	ПРИМІТКА: Завітайте до місцевої служби замовлень або зверніться до служби підтримки клієнтів RYOBI, щодо отримання запасних частин.	Not: Yedek parçalar için özel sipariş masanızı ziyaret edin veya RYOBI Müşteri Hizmetleri ile iletişime geçin.	

EN Vibration level

The declared vibration value has been measured with a standard test method and may be used to compare one tool with another.

The declared vibration value may be used in a preliminary assessment of exposure.

The vibration emission during actual use of power tool can differ from the declared total value depending on the ways in which the tool is used.

Identify safety measures to protect yourself based on an estimation of exposure in the actual conditions of use, taking account of all parts of the operating cycle such as the times when the tool is switched off and when it is running idle in addition to the trigger time.

FR Niveau de vibrations

La valeur déclarée totale des vibrations a été mesurée selon une méthode de test standardisée qui peut être utilisée pour comparer un outil avec un autre.

La valeur déclarée totale des vibrations peut également être utilisée pour évaluer par avance le niveau d'exposition.

La valeur des vibrations réellement produites durant l'utilisation de l'outil électrique peuvent différer de la valeur totale déclarée, en fonction de la manière dont l'outil est utilisé.

Identifiez les mesures de sécurité à prendre pour vous protéger, sur la base d'une estimation de l'exposition réelle, en tenant compte de tous les éléments du cycle d'utilisation tels que le temps d'arrêt de l'outil et le temps de son fonctionnement au ralenti, en plus du temps de fonctionnement normal.

DE Vibrationsgrad

Der angegebene Vibrationswert wurde durch eine Standard-Testmethode ermittelt und kann dazu verwendet werden, ein Werkzeug mit einem anderen zu vergleichen.

Der angegebene Vibrationswert kann für eine Voraburteilung der Exponierung herangezogen werden.

Die Vibrationsemissionen bei der tatsächlichen Benutzung von Elektrowerkzeugen kann sich, abhängig von der Art der Benutzung des Werkzeugs, von dem genannten Wert unterscheiden.

Identifizieren Sie aufgrund einer Einschätzung der Exponierung unter tatsächlichen Einsatzbedingungen Maßnahmen zum eigenen Schutz, unter Berücksichtigung aller Bestandteile des Betriebszyklus, wie die Zeiten zu denen das Werkzeug ausgeschaltet ist, und zu denen es sich zusätzlich zu den Auslösezeitpunkten im Leerlauf befindet.

ES Nivel de vibración

El valor declarado de vibraciones se ha medido con un método de prueba estándar y puede utilizarse para comparar una herramienta con otra.

El valor declarado de vibraciones puede utilizarse en una evaluación preliminar de exposición.

La emisión de las vibraciones durante el uso real de la herramienta eléctrica puede diferir del valor total declarado según el uso que se le dé a la herramienta.

Identifique las medidas de seguridad para protegerse en base a una estimación de la exposición en las condiciones reales de uso, teniendo en cuenta todas las partes del ciclo de funcionamiento, como los tiempos en que la herramienta está apagada y cuando está en ralentí, además del tiempo de activación.

IT Livello di vibrazioni

Il valore delle vibrazioni dichiarato deve essere misurato con un metodo di test standard e può essere utilizzato per paragonare un utensile a un altro.

Il valore dichiarato delle vibrazioni può essere utilizzato nella valutazione preliminare dell'esposizione.

L'emissione delle vibrazioni durante l'utilizzo dell'utensile può essere diversa dal valore totale dichiarato a seconda dei modi in cui l'utensile viene utilizzato.

Individuare misure di sicurezza per proteggersi basate su una stima dell'esposizione nelle attuali condizioni di utilizzo, prendendo in considerazione tutte le parti del ciclo operativo come i tempi in cui l'utensile viene spento o quando funziona al minimo oltre al tempo di attivazione.

NL Trillingsniveau

De aangegeven trillingswaarde werd gemeten met behulp van een standaard testmethode en kan worden gebruikt om gereedschap met elkaar te vergelijken.

De aangegeven trillingswaarde kan worden gebruikt in een voorlopige blootstellingsanalyse.

De trillingsemissie tijdens het gebruik van het werktuig kan verschillen van de aangegeven totale waarde, afhankelijk van de manier waarop het werktuig wordt gebruikt.

Neem veiligheidsmaatregelen om uzelf te beschermen op basis van een inschatting van de blootstelling in de huidige gebruiksomstandigheden, rekening houdend met alle onderdelen van de bedrijfscyclus, zoals de tijd dat het werktuig wordt uitgeschakeld en het stationair draait, bovenop de bedrijfstijd.

PT Nivel de vibração

O valor de vibração declarado foi medido com um método de teste padrão e pode ser usado para comparar uma ferramenta com outra.

O valor de vibração declarado pode ser utilizado numa avaliação preliminar da exposição.

A emissão das vibrações durante o uso real da ferramenta eléctrica pode diferir do valor total declarado segundo o uso que se der à ferramenta.

Identifique as medidas de segurança para se proteger com base numa estimativa de exposição nas actuais condições de uso, tendo em conta todas as peças do ciclo de funcionamento, como as vezes que a ferramenta é desligada e quando está a trabalhar em ralenti para além do tempo de gatilho.

DA Vibrationsniveau

Den erklærede vibrationsværdi er målt i henhold til en standard-testmetode og kan bruges til at sammenligne forskellige værktøjer indbyrdes.

Den erklærede vibrationsværdi kan bruges som en foreløbig vurdering af eksponeringen.

Vibrationsemissionen ved praktisk brug af elværktøjet kan variere fra den erklærede totalværdi, alt efter hvordan værktøjet anvendes.

Træf passende sikkerhedsforanstaltninger for at beskytte dig selv ud fra den skønnede eksponering for risici under de aktuelle anvendelsesforhold, hvor du - ud over den effektive arbejdstid - også tager højde for de varierende perioder, som fx når værktøjet er slukket, og når det kører i gang.

SV Vibrationsnivå

Det angivna vibrationsvärdet har uppmätts med en standardmetod och kan användas för att jämföra med andra kraftverktyg.

Det angivna vibrationsvärdet kan användas i en preliminär analys av vibrationerna som användaren utsätts för.

De vibrationer som uppstår vid användningen av el-verktyget kan skilja sig från det uppgivna totalvärdet beroende på det sätt som verktyget används på.

Vidtagningssäkerhetsåtgärder för ditt personliga skydd utifrån den exponering som sker under användningen, ta hänsyn till all användning som då verktyget är avstängt och när det går på tomgång förutom den faktiska brukstiden.

FI Tärinätaso

Ilmoitettu tärinäarvo on mitattu tavallisin testimenetelmän, ja sitä voidaan käyttää verrattaessa laitetta toiseen.

Ilmoitettua tärinäarvoa voidaan käyttää arvioitaessa tärinävaikutusta.

Sähkötyökälun todellisen käytön aikainen tärinä saattaa poiketa ilmoitetusta kokonaisarvosta, laitteen käyttötavasta riippuen.

Määritä käyttäjän suojauskeinot, jotka perustuvat todellisten käyttöolosuhteiden tärinävaikutusarvoon, ottaen huomioon kaikki käyttöjakson osat, kuten ajan, jonka laite on sammuksissa ja käy tyhjäkäynnillä, varsinaisen sahausajan lisäksi.

NO Vibrasjonsnivå

Den oppgitte vibrasjonsverdien er målt med en standard testmetode og kan benyttes for å sammenligne ett verktoy med et annet.

Den oppgitte vibrasjonsverdien kan benyttes for en forelopig angivelse av eksponering.

Vibrasjonene ved faktisk bruk av et elektrisk verktoy kan skille seg fra oppgitte totalverdier avhengig av måten verktoyet brukes på.

Identifiser sikkeringstiltak som beskytter deg selv, basert på et anslag for eksponering i den faktiske bruksituasjonen der man tar hensyn til alle bruksyklusene, som tidspunktet da maskinen ble slått av og når den går på tomgang i tillegg til tiden når verktoyet arbeider.

RU уровень вибрации

Заявленная величина вибрации измерялась в соответствии со стандартной методикой проведения испытаний и может использоваться для сравнения одного инструмента с другим.

Заявленная величина вибрации может использоваться при предварительной оценке характеристик.

Уровень вибрации при работе электроинструмента может отличаться от заявленной общей величины вибрации в зависимости от условий его использования.

Выберите средства защиты оператора с учетом реальных условий эксплуатации, принимая во внимание все факторы рабочего цикла, такие как время, в течение которого инструмент был выключен, и время его работы в холостом режиме.

PL Poziom drgań

Deklarowany poziom drgań został zmierzony za pomocą standardowej metody pomiaru i jego wyniki mogą służyć do porównywania tego urządzenia z innymi.

Deklarowana wartość drgań może służyć do wstępnej oceny narażenia operatora na wibracje.

Emisja drgań podczas użytkowania elektronarzędzi może różnić się od zadeklarowanej wartości, w zależności od sposobu użytkowania urządzenia.

Określć zasady bezpieczeństwa, oparte na oszacowaniu narażenia operatora w rzeczywistych warunkach użytkowania, uwzględniając wszystkie elementy cyklu operacyjnego, takie jak czasy wyłączenia oraz czasy pracy bez obciążenia, oprócz czasu pracy przy wciśniętym przycisku uruchamiania.

CS Úroveň vibrací

Uznaná hodnota vibrací byla naměřena pomocí standardního testovacího postupu a lze ji použít k porovnání s jiným nástrojem.

Uznaná hodnota vibrací se může používat k předběžnému odhadu vystavování vibracím.

Aktuální hodnoty vibrací během používání nástroje se mohou lišit od výše uvedených a mohou se lišit dle použitého nástroje.

Určete bezpečnostní opatření pro vlastní ochranu, která jsou založena na odhadu vystavení v aktuálních podmínkách používání, popisu všech částí pracovního cyklu jako doby, kdy je nástroj vypnut a když běží naprázdno, kromě doby spuštění.

HU Vibrációs szint

A megadott vibrációs érték szabványos teszt módszerrel lett meghatározva, és két szerszám összehasonlításakor is használható.

A megadott vibrációs érték a vibrációnak való kitettség előzetes becsléséhez is felhasználható.

A vibráció-kibocsátás a szerszám gép tényleges használat során eltérhet a nyilatkozatban szereplő teljes értéktől, ez függ a gép használatának módjától.

Határozza meg a saját védelmét szolgáló óvintézkedéseket az adott használati körülmények között érvényes kitettség felméréseivel, figyelembe véve a használat teljes időtartamát, vagyis beleértve azokat az időszakokat, amikor a gép ki van kacsolva, vagy bekapcsolts állapotban üresjáratban működik.

RO Nivelul vibrațiilor

Valoarea declarată a vibrațiilor a fost măsurată cu o metodă de testare standard și poate fi utilizată pentru a compara o unealtă cu alta.

Valoarea declarată a vibrațiilor poate fi utilizată în-tr-o evaluare preliminară a expunerii.

Emisia de vibrații în timpul folosirii efective a uneielice electrice poate diferi de valoarea totală declarată în funcție de modulul în care este utilizată unealta.

Identificați măsurile de siguranță pentru a vă proteja, pe baza estimării expunerii la condițiile efective de utilizare, luând în considerare toate etapele ciclului de operare, precum momentele în care unealta este oprită și atunci când funcționează în gol, suplimentar momentului declanșării.

LV Vibrācijas līmenis

Nosauktais vibrācijas līmenis ir ticis izmērīts ar standarta pārbaudes metodi un var tikt izmantots, lai salīdzinātu vienu instrumentu ar citu.

Nosauktā vibrācijas vērtība var tikt izmantota sākotnējās iedarbības novērtējumam.

Elektroinstrumenta vibromesija reālā darba laikā var atšķirties no norādītās kopējās vērtības atkarībā no veidiem, kā instruments tiek lietots.

Nosakiet drošības pasākumus, lai sevi aizsargātu, balstoties uz saskares ilguma novērtējumu atbilstoši lietošanas apstākļiem, ņemot vērā visas lietošanas cikla daļas, tostarp laikus, kad instruments tiek izslēgts un kad tas darbojas tukšgaitā papildus darbināšanas laikam.

LT Vibracijos lygis

Deklaruotas vibracijos lygis yra išmatuotas standartinio testo metu ir gali būti naudojamas vieno įrankio su kitu palyginimui.

Deklaruotas vibracijos lygis gali būti naudojamas preliminariam pavojaus įvertinimui.

Elektrinio įrankio naudojimo metu vibracijos lygis gali skirtis nuo deklaruotos bendrosios vertės pagal įrankio naudojimo būdus.

Nustatykite saugumo priemones, kad apsaugotumėte, kurios pagrįstos pavojaus įvertinimu pačiose naudojimo sąlygose, atkreipiant dėmesį į visas darbo ciklo dalis, pvz. laiko tarpį, kai įrankis yra išjungtas ir kai veikia tuščiaja eiga bei perjungimo laiką.

ET Vibratsioontase

Dekleareeritud vibratsiooniväärtus on mõeldud standardse testimiseetodiga ja seda võib kasutada tööriistade omavaheliseks võrdlemiseks.

Dekleareeritud vibratsiooniväärtust võib kasutada mürataseme eelhindamiseks.

Olenevalt seadme kasutusviisist võib mehaanilise tööriista töötamisel ilmneva vibratsiooniemissioon, mille suurus erineb deklareeritud väärtustest.

Kasutaja kaitsmiseks seadmega töötamisel tuleb kindlaks teha turvameetmed, mis põhinevad tegelikes kasutustingimustes esineval vibratsioonile, sealjuures tuleb arvesse võtta kõiki töotsükli osi, lisaks sisselülitatud olekule näiteks ka vibratsiooni väljalülitamise ajal ja tühikäigul.

HR Razina vibracije

Objavljena vrijednost vibracija je izmjerena standardnom metodom testiranja i može se koristiti za usporedbu jednog alata s drugim.

Objavljena vrijednost vibracija može se koristiti u početnom usklađivanju izloženosti.

Razina vibracija tijekom trenutačne uporabe AKU alata može se razlikovati od deklarirane ukupne vrijednosti ovisno o načinima na koje se alat koristi.

Identificirajte sigurnosne mjere za svoju zaštitu na temelju procjene izloženosti u trenutim uvjetima korištenja, uzeti u obzir sve dijelove radnog ciklusa kao što su vrijeme kada je alat isključen i kada je pokrenut u praznom hodu u dodatku vremenu pokretanja.

SL Raven vibracij

Navedena vrednost vibracij je bila izmerjena s standardno metodo testiranja in se lahko uporabi za primerjavo različnih orodij.

Navedena vrednost vibracij se lahko uporabi za predhodno oceno izpostavljenosti.

Emisije med dejansko uporabo električnega orodja se od navedene vrednosti lahko razlikujejo, odvisno od načina, kako se orodje uporablja.

Ugotovite varnostne ukrepe za zaščito upravljavca, ki temeljijo na oceni izpostavljenosti v dejanskih pogojih uporabe, pri tem pa je treba upoštevati vse dele delovnega cikla – npr. ko je orodje izključeno in ko je v prostem teku in čas zagona.

SK Úroveň vibrácií

Deklarovaná hodnota vibrácií bola meraná podľa štandardnej testovacej metódy a možno ju používať na porovnanie jedného nástroja s iným.

Deklarovaná hodnota vibrácií sa dá použiť aj v predbežnom odhade expozície.

Úroveň emisií počas samotného používania elektrického nástroja sa môže líšiť od deklarovanej celkovej hodnoty v závislosti od toho, ktorý nástroj sa používa.

Identifikujte bezpečnostné opatrenia na vašu ochranu ne základe posúdenia skutočných podmienok použitia, pričom vezmite do úvahy všetky časti prevádzkového cyklu, napríklad časov, kedy je nástroj vypnutý a kedy pracuje na voľnobehu okrem času spúšťania.

BG Ниво на вибрация

Посочената стойност за вибрациите е измерена с помощта на стандартен тест и може да се използва за сравнение с друг инструмент.

Посочената стойност за вибрациите може да бъде използвана в предварително оценяване за излагане на вибрации.

Вибрациите по време на действителната употреба на електромеханичния инструмент може да се различават от обявената обща стойност в зависимост от начините, по които се използва инструментът.

Определете мерки за безопасност за собствена защита според преценка за излагането на вибрации в реални условия, като се вземат предвид всички елементи на работния цикъл, като например времето, в което инструментът е изключен и когато работи на празен ход, както и времето за задействане.

UK Рівень вібрації

Оголошене значення вібрації було виміряно за допомогою стандартного методу випробування і може бути використане для порівняння одного інструмента з іншим.

Він може бути використаний для попередньої оцінки впливу.

Емісія вібрації під час фактичного використання електроінструменту може відрізнятись від заявленого значення залежно загального використання інструменту.

Визначити заходи безпеки, щоб захистити себе на основі оцінки впливу в реальних умовах використання, з урахуванням всіх частин робочого циклу, коли інструмент вимкнений, і коли він працює в холостому режимі, доповнюючи робоче положення.

TR Titreşim seviyesi

Beyan edilen titreşim değeri standart bir test yöntemi ile ölçülmüştür ve bir aleti diğeriyle karşılaştırmak için kullanılabilir.

Beyan edilen titreşim değeri bir maruz kalma ön değerlendirmesinde kullanılabilir.

Güç destekli aletin fiili kullanımı sırasında meydana gelen titreşim emisyonu aletin kullanıma şekline bağlı olarak beyan edilen toplam değerden farklı olabilir.

Kendinizi korumak için aletin açılıp kapatılma sayısı ve tetik süresinin yanı sıra rölantide çalıştığı zaman gibi çalışma döngüsünde yer alan tüm parçaları dikkate alarak gerçek kullanım koşullarında maruz kalma hesaplamasına dayalı güvenlik önlemlerini belirleyin.

EN RYOBI® WARRANTY APPLICATION CONDITIONS

In addition to any statutory rights resulting from the purchase, this product is covered by a warranty as stated below.

- The warranty period is 24 months for consumers and commences on the date when the product was purchased. This date has to be documented by an invoice or other proof of purchase. The product is designed and dedicated to consumer and private use only. So there is no warranty provided in case of professional or commercial use. This warranty applies only on new products.
- There is a possibility to extend for a part of the range of power tools (AC/DC) the warranty period over the period described above using the registration on the www.ryobitools.eu website. The eligibility of products for extended warranty is clearly displayed in stores and / or on packaging and is contained within the product documentation. The end user is required to register his/her newly-acquired products online within 30 days from the date of purchase. The end user may register for the extended warranty in his/her country of residence if listed on the online registration form where this option is valid. Furthermore, end users must give their consent to the storage of their personal data that is required to be entered online. They must also accept the terms and conditions. The registration confirmation receipt, which is sent out by e-mail, and the original invoice showing the date of purchase will serve as proof of the extended warranty.
- The warranty covers all defects of the product during the warranty period due to faults in workmanship or material at the purchase date. The warranty is limited to repair and/or replacement and does not include any other obligations including but not limited to incidental or consequential damages. The warranty is not valid if the product has been misused, used contrary to the instruction manual, or has been incorrectly connected to a power supply. This warranty does not apply to:
 - any damage to the product that is the result of improper or lack of maintenance
 - any product that has been altered or modified
 - any product where original identification (trade mark, serial number) markings have been defaced, altered or removed
 - any damage caused by non-observance of the instruction manual
 - any product not displaying the CE approval mark on the rating plate
 - any product that has been attempted to be repaired by a non-authorised warranty service centre or without prior authorisation by Technonic Industries
 - any product connected to improper power supply (amps, voltage, frequency)
 - any product used with inappropriate fuel mixture (fuel, oil, ratio of oil/ fuel mixture)
 - any damage caused by external influences (water, chemical, physical, shocks) or foreign substances
 - normal wear and tear spare parts
 - inappropriate use, overloading of the tool
 - use of non-approved accessories or parts
- Accessories provided with the tool or purchased separately including but not limited to blades, saw chains, cutting lines, etc.
- Any periodic adjustments to or maintenance cleaning of carburettors
- Components (parts and accessories) subject to natural wear and tear, including but not limited to bump knobs, drive belts, clutch, blades of hedge trimmers or lawn mowers, harness, cable throttle, carbon brushes, power cord, tines, felt washers, hitch pins, blower fans, blower and vacuum tubes, vacuum bag and straps, guide bars, saw chains, hoses, connector fittings, spray nozzles, wheels, spray wands, inner reels, outer spools, cutting lines, spark plugs, air filters, gas filters, mulching blades, etc.
- For servicing, the product must be sent or presented to a RYOBI authorised service station listed for each country in the following list of service station addresses. In some countries your local RYOBI dealer undertakes to send the product to the RYOBI service organisation. When sending a product to a RYOBI service station, the product should be safely packed without any dangerous contents such as petrol, marked with sender's address and accompanied by a short description of the fault.
- A repair / replacement under this warranty is free of charge. It does not constitute an extension or a new start of the warranty period. Exchanged parts or products become our property. In some countries delivery charges or postage will have to be paid by the sender. Your statutory rights arising from the purchase of the product remain unaffected.
- This warranty is valid in the European Community, Switzerland, Iceland, Norway, Liechtenstein, Turkey and Russia. Outside these areas, please contact your authorised RYOBI dealer to determine if another warranty applies.

AUTHORISED SERVICE CENTRE

To find an authorised service centre near you, visit <http://uk.ryobitools.eu/header/service-and-support/service-agents>.

FR RYOBI® CONDITIONS D'APPLICATION DE LA GARANTIE

En plus des droits statutaires liés à l'achat, ce produit est couvert par une garantie telle que décrite ci-dessous.

- La durée de la garantie accordée au consommateur est de 24 mois à partir de la date d'achat. Cette date doit être attestée par une facture ou tout autre preuve d'achat. Le produit a été conçu en vue d'une utilisation strictement privée. Aucune garantie ne s'applique donc en cas d'utilisation professionnelle ou commerciale.
- Il existe pour une partie de la gamme « jardin » (AC/DC), une possibilité d'étendre la période de garantie au-delà de la période précédemment décrite en utilisant le formulaire d'enregistrement présent sur le site Internet www.ryobitools.eu. L'éligibilité d'un outil est clairement affichée dans les points de vente et/ou sur l'emballage et la documentation. L'utilisateur final doit enregistrer son/ses outil(s) nouvellement acheté(s) en ligne dans les 30 jours qui suivent la date d'achat. L'utilisateur a la possibilité de s'enregistrer pour l'extension de garantie dans son pays de résidence si celui-ci est listé dans le formulaire d'enregistrement en ligne où cette option est valide. L'utilisateur final doit donner son consentement pour l'enregistrement des données requises pour accéder au site et doit accepter les termes et conditions. La confirmation d'enregistrement, envoyée par courrier électronique, ainsi que la facture originale mentionnant la date d'achat serviront de preuve de l'extension de garantie.
- La garantie couvre pendant la période de garantie les défauts des produits liés à la fabrication et aux matériaux à la date d'achat. La garantie est limitée à la réparation et/ou au remplacement et n'inclut aucune autre obligation, tel que, mais sans s'y limiter, les dommages accessoires ou indirects. La garantie est non valable en cas de mauvaise utilisation du produit, d'utilisation contraire aux instructions du mode d'emploi, ou en cas de branchement incorrect. Cette garantie ne s'applique pas pour :
 - tout dommage au produit résultant d'un mauvais entretien
 - tout produit ayant été altéré ou modifié
 - tout produit dont les marquages originaux d'identification (marque, numéro de série) ont été dégradés, altérés ou retirés
 - tout dommage causé par le non-respect des instructions du mode d'emploi
 - tout produit non CE
 - tout produit ayant subi une tentative de réparation par du personnel non qualifié ou sans autorisation préalable de Technonic Industries
 - tout produit raccordé à une alimentation secteur non conforme (ampérage, voltage, fréquence)
 - tout produit utilisé avec un mélange inapproprié (essence, huile, pourcentage d'huile)
 - tout dommage causé par des influences extérieures (chimiques, physiques, chocs) ou par des substances étrangères
 - l'usure normale des pièces consommables
 - une utilisation inappropriée, une surcharge de l'outil
 - l'utilisation de pièces ou accessoires non agréés
- Tout réglage périodique ou tout nettoyage de maintenance des carburateurs
- les composants (pièces et accessoires) sujets à une usure naturelle, incluant de façon non exhaustive les têtes de fil à frapper, les courroies de transmission, les embrayages, les lames des taille-haies ou des tondeuses à gazon, les harnais, les câbles d'accélérateur, les charbons, les cordons d'alimentation, les fraises de cultivateurs, les rondelles feutre, les goupilles de fraise, les turbines et lame de broyage des souffleurs, les tubes de soufflage et d'aspiration des souffleurs, les sacs de souffleurs et leurs lanières, les guides-chaîne, les chaînes de tronçonneuses, les tuyaux et raccords, les buses et lances de nettoyeurs haute pression, les roues, les recharges de fil des têtes de coupe, les filtres à essence, le fil de coupe, les bougies d'allumage, les filtres à air, les filtres à essence, etc.
- Si le produit doit être réparé, envoyez-le à un service après-vente agréé RYOBI dont vous trouverez ci-dessous la liste pour chaque pays. Dans certains pays, votre revendeur RYOBI se chargera d'envoyer le produit à un centre de réparation RYOBI. Lorsque vous envoyez un produit à un service après-vente RYOBI, celui-ci doit être correctement emballé, sans contenir aucun produit dangereux tel que de l'essence, et vous devez indiquer votre adresse ainsi qu'une courte description du problème.
- Une réparation / un remplacement sous garantie est gratuit(e). Ceci ne constituera pas une extension de garantie ni un nouveau départ de la période de garantie. Les pièces ou les outils remplacés deviennent notre propriété. Dans certains pays, les frais de port devront être assumés par l'expéditeur. Vos droits statutaires restent inchangés.
- Cette garantie est valable au sein de l'Europe, de la Suisse, de l'Islande, de la Norvège, du Liechtenstein, de la Turquie, de la Russie. En dehors de ces zones, veuillez contacter votre distributeur agréé RYOBI pour déterminer si une autre garantie s'applique.

SERVICE APRÈS-VENTE AGRÉÉ

Pour trouver le service après-vente agréé le plus proche, rendez-vous sur <http://fr.ryobitools.eu/header/service-and-support/service-agents>

DE RYOBI® GARANTIEBEDINGUNGEN

Zusätzlich zu den gesetzlichen Rechten aus dem Kauf gilt für dieses Produkt die nachstehend aufgeführte Garantie.

- Der Garantiezeitraum beträgt für Verbraucher 24 Monate und beginnt mit dem Datum des Kaufs. Dieses Datum muss durch eine Rechnung oder einen anderen Kaufbeleg dokumentiert werden. Dieses Produkt wurde ausschließlich für die private Nutzung durch Verbraucher entwickelt. Für den Fall einer professionellen bzw. kommerziellen Nutzung besteht daher keine Garantie.
- Es besteht die Möglichkeit, für einen Teil des Sortiments der Gartenwerkzeuge (AC/DC) den Garantiezeitraum über den oben genannten Zeitraum hinaus zu verlängern, indem der Verbraucher die Registrierung auf der Website www.ryobitools.eu durchführt. Die Berechtigung der Werkzeuge für die Garantieverlängerung ist deutlich im Geschäft und/oder auf der Verpackung beschrieben und in der Produktdokumentation erwähnt. Der Verbraucher muss das neu erworbene Gerät online innerhalb von 30 Tagen ab dem Kaufdatum registrieren. Der Verbraucher kann das Gerät zwecks Garantieverlängerung in seinem Wohnsitzland/Heimatland registrieren, wenn dieses Land auf dem Online-Registrierungsformular aufgeführt und die Option gültig ist. Darüber hinaus muss der Verbraucher seine Zustimmung zur Speicherung der Daten geben, die online eingegeben werden müssen, und er muss die allgemeinen Geschäftsbedingungen akzeptieren. Die Bestätigung der Registrierung, die per E-Mail versandt wird, und die Originalrechnung mit dem Kaufdatum gelten als Beleg für die Garantieverlängerung.
- Die Garantie deckt alle Defekte des Geräts während des Garantiezeitraums ab, die auf zum Zeitpunkt des Kaufs bestehende Verarbeitungs- oder Materialfehler zurückzuführen sind. Die Garantie beschränkt sich auf Reparatur und/oder Ersatz und beinhaltet keine anderen Verpflichtungen, insbesondere keinen Schadenersatz für Folge- oder Nebenschäden. Die Garantie gilt nicht, wenn das Gerät fehlerhaft eingesetzt wurde, gegenseitlich zur Bedienungsanleitung eingesetzt wurde oder falsch angeschlossen wurde. Die Garantie gilt nicht für Folgendes:
 - Schäden am Gerät, die auf unkorrekte Wartung zurückzuführen sind
 - Geräte, an denen Veränderungen vorgenommen wurden
 - Produkte, bei denen die ursprüngliche Identifizierung (Handelsmarke, Seriennummer) unleserlich gemacht, verändert oder entfernt wurde
 - Schäden durch Nichtbeachtung der Bedienungsanleitung
 - nicht-CE-zertifizierte Geräte
 - Geräte, an denen durch nicht-qualifizierte Personen oder ohne vorherige Genehmigung von Techtronic Industries Reparaturversuche vorgenommen wurden
 - Geräte, die an unkorrekte Energiequellen (Ampere, Volt, Frequenz) angeschlossen wurden
 - Geräte, die mit einer fehlerhaften Treibstoffmischung (Treibstoff, Öl, Ölanteil) betrieben wurden
 - Schäden durch äußere Einflüsse (chemisch, physisch, Stöße) oder Fremdstoffe
 - normaler Verschleiß von Ersatzteilen
 - unangemessene Nutzung, Überlastung des Geräts
 - Nutzung nicht genehmigter Zubehörteile oder Ersatzteile
 - Regelmäßige Einstellung oder Wartungsreinigung des Vergasers
 - Komponenten (Ersatzteile und Zubehörteile), die natürlichem Verschleiß unterliegen, einschließlich, aber nicht begrenzt auf Service- und Wartungssets, Kohlebürsten, Lager, Spannvorrichtungen, SDS-Bohreraufnahme /Bit-Adapter, Netzkabel, Zusatzhandgriff, Transportkoffer, Schleifplatten, Staubbeutel, Staubabführungen, Filzunterlegscheiben, Bolzen und Federn von Schlagschraubern, einschließlich, aber nicht beschränkt auf Fadenköpfe, Antriebsriemen, Kupplungen, die Klingen von Heckenscheren oder Rasenmähern, Kabelstränge, Gaszüge, Zinken, Steckbolzen, Lüfter, Saug- und Gebläserohre oder Düsen, Fangsäcke und Gurte, Führungsschienen, Sägeketten, Schläuche, Verbinders, Sprühdüsen, Räder, Sprühstäbe, innere Rollen, äußere Spulen, Schneidfäden, Zündkerzen, Luftfilter, Benzin-/ Ölfilter, Häcksel- Messer usw.
- Zum Service muss das Gerät zu einer von RYOBI autorisierten Servicestation gebracht oder dorthin geschickt werden. Die Servicestationen für die einzelnen Länder sind in der folgenden Liste aufgeführt. In einigen Ländern sendet Ihr RYOBI-Handler vor Ort das Gerät an das RYOBI-Serviceunternehmen. Beim Einsenden an die RYOBI-Servicestation sollte das Gerät sicher verpackt sein, ohne gefährliche Inhalte wie Benzin, und es sollte mit der Adresse des Absenders und einer kurzen Beschreibung des Fehlers versehen sein.
- Eine Reparatur bzw. ein Ersatz gemäß dieser Garantie ist kostenlos. Hieraus ergibt sich weder eine Garantieverlängerung noch der Beginn eines neuen Garantiezeitraums. Die ausgetauschten Ersatzteile oder Werkzeuge gehen in unser Eigentum über. In einigen Ländern müssen die Zustellgebühren oder die Versandkosten vom Absender gezahlt werden. Ihre gesetzlichen Rechte aus dem Kauf des Geräts bleiben hiervon unberührt.
- Diese Garantie gilt in der Europäischen Union, der Schweiz, Island, Norwegen, Liechtenstein, der Türkei und Russland. Bitte wenden Sie sich außerhalb dieser Gebiete an Ihren autorisierten RYOBI-Handler, um festzustellen, ob eine andere Garantie gilt.

AUTORSIERTER KUNDENDIENST

Besuchen Sie <http://de.ryobitools.eu/header/service-and-support/service-agents>, um einen autorisierten Kundendienst in Ihrer Nähe zu finden.

ES CONDICIONES DE APLICACIÓN DE LA GARANTÍA DE RYOBI®

Además de cualquier derecho legal derivado de la compra, este producto está cubierto por una garantía que se indica a continuación.

- El periodo de garantía es de 24 meses para consumidores y comienza en la fecha en que se comprara el producto. Dicha fecha debe documentarse con una factura u otro comprobante de compra. El producto está diseñado y concebido únicamente para el uso privado del consumidor. Por lo tanto, no se ofrece garantía en caso de uso profesional o comercial.
- Existe la posibilidad de ampliar el periodo de garantía respecto a una parte de la gama de herramientas de jardinería (CA/CC) durante el periodo descrito más arriba y mediante el registro en el sitio web www.ryobitools.eu. La elegibilidad de las herramientas para que se amplie el periodo de garantía se muestra claramente en las tiendas o en el embalaje y está incluida en la documentación del producto. El usuario final tiene que registrar en línea sus herramientas recientemente adquiridas en un plazo de 30 días a partir de la fecha de compra. El usuario final podrá registrarse para obtener la garantía ampliada en su país de residencia si este aparece en la lista del formulario de registro en línea cuando esta opción sea válida. Además, los usuarios finales deberán dar su consentimiento al almacenamiento de los datos necesarios para el acceso en línea y tienen que aceptar los términos y condiciones. El recibo de confirmación de registro, que se envía por correo electrónico, y la factura original que muestra la fecha de compra servirán como comprobante para la garantía ampliada.
- La garantía cubre todos los defectos del producto durante el periodo de garantía debido a fallos de mano de obra o material en la fecha de compra. La garantía se limita a la reparación o sustitución y no incluye ninguna otra obligación como, por ejemplo, daños accidentales o consecuentes. La garantía no es válida si se ha usado mal el producto, se ha usado contraviniendo el manual de instrucciones o se ha conectado de forma incorrecta. Esta garantía no es aplicable a:
 - ningún daño en el producto que sea consecuencia de un mantenimiento inadecuado
 - ningún producto que haya sido alterado o modificado
 - ningún producto en el que los marcados de identificación originales (marca comercial, número de serie) se hayan borrado, modificado o eliminado
 - ningún daño provocado por no seguir el manual de instrucciones
 - ningún producto que no sea CE
 - ningún producto que haya sufrido un intento de reparación por parte de un profesional no cualificado o sin la autorización previa de Techtronic Industries.
 - ningún producto conectado a un suministro eléctrico inadecuado (amperios, voltaje, frecuencia)
 - ningún producto usado con una mezcla de combustible inadecuada (combustible, aceite, porcentaje de aceite)
 - ningún daño causado por influencias externas (químicas, físicas, impactos) o sustancias extrañas
 - desgaste normal de piezas de repuesto
 - uso inadecuado, sobrecarga de la herramienta
 - uso de accesorios o piezas no aprobados
 - Cualquier ajuste periódico o limpieza de mantenimiento de los carburadores
 - Componentes (piezas y accesorios) sujetos al desgaste natural incluyendo, entre otros, pomos de golpes, correas de transmisión, embragues, cuchillas de cortasetos o cortacésped, ameses, cable del acelerador, escobillas de carbono, cables eléctricos, púas, discos de fieltro, pasadores de enganche, ventiladores de soplador, tubos de aspiración y de soplado, bolsas y correas de aspiración, barras guías, cadenas de sierra, mangueras, herrajes de conectores, boquillas pulverizadoras, ruedas, lanzas pulverizadoras, bobinas interiores, carretes exteriores, líneas de corte, bujías, filtros de aire, filtros de gas, cuchillas de compostaje, etc.
- Para su mantenimiento, el producto debe enviarse o presentarse a una estación de servicio de RYOBI autorizada que figure en la siguiente lista de direcciones de estaciones de servicio por países. En algunos países, su distribuidor RYOBI local se responsabiliza de enviar el producto a la compañía de servicio de RYOBI. Cuando se envíe un producto a una estación de servicio de RYOBI, este debe estar empaquetado de forma segura sin contenidos peligrosos como gasolina, marcado con la dirección del remitente y acompañado de una breve descripción del fallo.
- Una reparación / sustitución con esta garantía es gratuita. No constituye una ampliación ni un nuevo comienzo del periodo de garantía. Las piezas o herramientas intercambiadas pasan a ser de nuestra propiedad. En algunos países, los gastos de envío o correo tendrá que pagarlos el remitente. Sus derechos legales derivados de esta compra de la herramienta no se verán afectados.
- Esta garantía es válida en la Unión Europea, Suiza, Islandia, Noruega, Liechtenstein, Turquía y Rusia. Fuera de estas zonas, póngase en contacto con su distribuidor de RYOBI autorizado para determinar si es aplicable otra garantía.

SERVICIO TÉCNICO AUTORIZADO

Para encontrar el servicio técnico autorizado más cercano, visite <http://es.ryobitools.eu/header/service-and-support/service-agents>.

IT CONDIZIONI DI VALIDITÀ DELLA GARANZIA RYOBI®

In aggiunta ai diritti di legge risultanti dall'acquisto, il prodotto è coperto dalla garanzia sotto descritta.

1. Il periodo di garanzia è di 24 mesi per i consumatori, a decorrere dalla data di acquisto del prodotto. La data deve essere documentata da una fattura o altra prova d'acquisto. Il prodotto è progettato e destinato solo all'utilizzo privato dei consumatori. Pertanto non viene fornita alcuna garanzia in caso di uso professionale o commerciale.
2. Per una serie di utensili da giardino (CA/CC) è possibile prolungare il periodo di garanzia oltre quello descritto, registrandosi sul sito web www.ryobitools.eu. Gli utensili per i quali è possibile prolungare il periodo di garanzia sono chiaramente indicati nei negozi e/o sulle confezioni e nella documentazione dei prodotti. L'utente deve registrare online l'utensile acquistato entro 30 giorni dalla data di acquisto. L'utente può registrarsi per la garanzia prolungata nel proprio paese di residenza, se questo è elencato nel modulo di registrazione online dove questa opzione sia valida. Inoltre gli utenti devono fornire il proprio consenso alla conservazione dei dati da immettere online e devono accettare le condizioni generali. La conferma di registrazione, inviata tramite e-mail, e la fattura originale indicante la data di acquisto, costituiranno la prova della garanzia prolungata.
3. La garanzia copre tutti i difetti del prodotto durante il periodo di garanzia, risultati da manodopera o materiali alla data di acquisto. La garanzia è limitata alla riparazione e/o sostituzione e non include alcun altro obbligo quali, a mero titolo esemplificativo, i danni incidentali o consequenziali. La garanzia non è valida se il prodotto è stato usato scorrettamente, in modo contrario al manuale di istruzioni o se è stato collegato in modo errato. La garanzia non è valida per:
 - qualsiasi danno al prodotto dovuto a manutenzione errata;
 - qualsiasi prodotto che sia stato alterato o modificato;
 - qualsiasi prodotto le cui marcature di identificazione originali (marchi di fabbrica, numero di serie) siano state cancellate, alterate o rimosse;
 - qualsiasi danno causato dalla non osservanza delle istruzioni del manuale;
 - qualsiasi prodotto privo di omologazione CE;
 - qualsiasi prodotto che sia stato sottoposto a un tentativo di riparazione da parte di un professionista non qualificato oppure senza la previa autorizzazione di Techtronic Industries;
 - qualsiasi prodotto collegato a un'alimentazione errata (per ampere, tensione, frequenza);
 - qualsiasi prodotto usato con una miscela di carburante errata (carburante, olio, percentuale di olio);
 - qualsiasi danno causato da influenze esterne (chimiche, fisiche, urti) o sostanze estranee;
 - la normale usura delle parti di ricambio;
 - uso inappropriato, sovraccarico dell'utensile;
 - uso di accessori o parti non omologate;
 - qualsiasi regolazione periodica o pulizia di manutenzione dei carburatori;
 - componenti (parti e accessori) soggetti alla normale usura compresi, a mero titolo esemplificativo, testine a filo, cinghie di trasmissione, frizioni, lame di tagliaerba o tagliaerba, imbragature, cavi di accelerazione, spazzole al carbonio, cavi di alimentazione, denti, rondelle di feltro, perni di aggancio, ventole dei soffiatori, tubi di soffiatori e aspiratori, sacchetti e cinghie per aspirapolvere, barre guida, catene per seghe, tubi, raccordi di connessione, ugelli di spruzzo, ruote, erogatori, bobine interne ed esterne, linee di taglio, candele, filtri dell'aria, filtri del gas, lame per mulching ecc.
4. Per la manutenzione il prodotto dev'essere spedito o portato presso uno dei centri assistenza autorizzati RYOBI elencati per ogni paese nel seguente elenco di indirizzi dei centri. In alcuni paesi il rivenditore locale RYOBI si incarica di inviare il prodotto all'organizzazione di assistenza RYOBI. Quando si invia un prodotto a un centro assistenza RYOBI, imballarlo in modo sicuro senza contenuti pericolosi come la benzina, apporre l'indirizzo del mittente e accompagnarlo da una breve descrizione del guasto.
5. La riparazione/sostituzione ai sensi della presente garanzia è gratuita. Non costituisce un prolungamento o un nuovo inizio del periodo di garanzia. Le parti o gli utensili scambiati diventano di nostra proprietà. In alcuni paesi i costi di consegna o di spedizione postale devono essere pagati dal mittente. I diritti di legge derivanti dall'acquisto dell'utensile rimangono inalterati.
6. La presente garanzia è valida in Unione Europea, Svizzera, Islanda, Norvegia, Liechtenstein, Turchia e Russia. Al di fuori di tali aree contattare il rivenditore autorizzato RYOBI per sapere se è valida un'altra garanzia.

CENTRO SERVIZI AUTORIZZATO

Per individuare il più vicino centro servizi autorizzato, visitare il sito <http://it.ryobitools.eu/header/service-and-support/service-agents>.

NL RYOBI® GARANTIEVOORWAARDEN

Naast de wettelijke rechten die voortvloeien uit de aankoop, wordt dit product gedekt door een garantie, zoals hieronder staat vermeld.

1. De garantietermijn voor consumenten bedraagt 24 maanden en gaat in op de datum waarop het product is gekocht. Deze datum moet worden gedocumenteerd met een factuur of een ander aankoopbewijs. Het product is uitsluitend ontworpen en bedoeld voor persoonlijk gebruik door consumenten. Er wordt dus geen garantie gegeven voor professioneel of commercieel gebruik.
2. Voor een deel van ons aanbod van tuingeredschappen (AC/DC) is het mogelijk om de garantietermijn te verlengen over de boven beschreven termijn, met behulp van de website www.ryobitools.eu. De gereedschappen die in aanmerking komen voor de verlenging van de garantietermijn wordt duidelijk weergegeven in winkels en/of verpakkingen en staat beschreven in de productdocumentatie. De eindgebruiker moet zijn/haar nieuw gekochte gereedschappen binnen 30 dagen na aankoop online registreren. De eindgebruiker kan zich registreren voor de verlengde garantietermijn als zijn woonland staat vermeld op het online registratieformulier waar deze optie geldig is. Bovendien moeten eindgebruikers toestemming geven voor de opslag van de gegevens die online ingevuld moeten worden en moeten ze de algemene voorwaarden accepteren. Het ontvangstbewijs van de registratie, dat per e-mail wordt verzonden en de oorspronkelijke factuur met de aankoopdatum vormt het bewijs van de verlengde garantietermijn.
3. De garantie deckt tijdens de garantietermijn alle gebreken van het product vanwege defecten in vakmanschap of materiaal op de aankoopdatum. De garantie is beperkt tot reparatie en/of vervanging en bevat geen andere verplichtingen, waaronder maar niet beperkt tot incidentele of gevolgschade. De garantie is niet geldig als het product is misbruikt, in strijd met de gebruiksaanwijzing wordt gebruikt of onjuist is aangesloten. Deze garantie geldt niet voor:
 - alle schade aan het product die het gevolg is van onjuist onderhoud
 - elk product dat is veranderd of aangepast
 - elk product waar de oorspronkelijke identificatie (handelsmerk, serienummer) is beschadigd, gewijzigd of verwijderd
 - alle schade die is veroorzaakt door het niet opvolgen van de gebruiksaanwijzing
 - elk niet-CE-product
 - elk product waar een poging tot reparatie is gedaan door een niet-erkende professional of zonder voorafgaande toestemming door Techtronic Industries.
 - elk product dat is verbonden met een verkeerde voeding (amperage, spanning, frequentie)
 - elk product dat wordt gebruikt met een verkeerd brandstofmengsel (brandstof, olie, oliegehalte)
 - alle schade die is veroorzaakt door externe invloeden (chemisch, fysisch, schokken) of vreemde stoffen
 - normale slijtage van reserveonderdelen
 - ongepast gebruik, overbelasting van het gereedschap
 - gebruik van niet-goedgekeurde accessoires of onderdelen
 - Alle periodieke aanpassingen aan of het onderhoud en reiniging van carburateurs
 - Componenten (onderdelen en accessoires) die onderhevig zijn aan natuurlijke slijtage, waaronder maar niet beperkt tot stookknoppen, aandrijfriemen, koppelingen, messen van hegtrimmers of grasmaaiers, harnas, gaskabel, koolstofborstels, stroomsoeiers, tanden, vilttringen, koppelingsspannen, blazers, blaas- en zuigbuizen, zuigzakken en-riemen, geleidingsstaven, zaagkettingen, slangen, koppelingen, mondstukken, wielen, spuitstokken, binnenhaspels, buitenhaspels, snijdraden, bougies, luchtfilters, gasfilters, maaimessen, etc.
4. Voor onderhoud moet het product worden verzonden of gebracht naar een erkend servicestation van RYOBI die voor elk land staan vermeld in de volgende lijst met adressen voor servicestations. In sommige landen zal uw lokale RYOBI-dealer het product verzenden naar de RYOBI-serviceorganisatie. Wanneer u het product naar een servicestation van RYOBI verzendt, moet het product veilig worden verpakt zonder enige gevaarlijke inhoud, zoals benzine, met het adres van de afzender en vergezeld van een korte beschrijving van het defect.
5. Een reparatie/vervanging die onder deze garantie valt is gratis. Het vormt geen verlenging of een nieuwe start van de garantietermijn. Verwisselde onderdelen of gereedschappen worden ons eigendom. In sommige landen moeten de verzendkosten door de afzender worden betaald. Uw wettelijke rechten die voortvloeien uit de aankoop van het gereedschap blijven onaangetaast.
6. Deze garantie is geldig in de Europese Gemeenschap, Zwitserland, IJsland, Noorwegen, Liechtenstein, Turkije en Rusland. Buiten deze gebieden moet u contact opnemen met uw erkende RYOBI-dealer om vast te stellen of er een andere garantie van toepassing is.

GEAUTORISEERD ONDERHOUDSCENTRUM

Om een geautoriseerd onderhoudscentrum in uw buurt te vinden, surf u naar <http://nl.ryobitools.eu/header/service-and-support/service-agents>.

PT CONDIÇÕES DE APLICAÇÃO DA GARANTIA RYOBI®

Para além de quaisquer direitos previstos por lei resultantes da compra, este produto está coberto por uma garantia conforme descrição abaixo.

1. O período da garantia é de 24 meses para consumidores particulares e inicia-se na data de compra do produto. Esta data tem de ser documentada por uma factura ou por outra prova de compra. O produto foi concebido para e destina-se apenas a consumidores particulares e uso privado. Assim, não é dada garantia em caso de utilização por profissionais ou uso comercial.
2. Para uma parte da gama de ferramentas de jardim (AC/DC) existe a possibilidade de prolongamento do período da garantia para além do período descrito acima, mediante registo no Web site www.ryobitools.eu. A elegibilidade das ferramentas para prolongamento do período da garantia é claramente visível nas lojas e/ou nas embalagens e está contida na documentação do produto. O utilizador final tem de fazer o registo online das suas ferramentas recém-adquiridas no prazo de 30 dias após a data de compra. O utilizador final pode fazer o registo para prolongamento da garantia no seu país de residência, desde que esteja listado no formulário de registo online e para os casos em que esta opção seja válida. Para além disso, os utilizadores finais têm de autorizar o armazenamento dos dados cujo preenchimento lhes for solicitado online e têm de aceitar os termos e as condições. O recibo de confirmação do registo é enviado por e-mail e, em conjunto com a factura original ostentando a data de compra, servirá de prova do prolongamento da garantia.
3. A garantia cobre todos os defeitos do produto durante o período da garantia devidos a defeitos de fabrico ou de material à data da compra. A garantia está limitada à reparação e/ou substituição e não inclui quaisquer outras obrigações, incluindo mas não se limitando a, perdas complementares ou indirectas. A garantia não é válida se o produto tiver sido utilizado incorrectamente, utilizado de forma contrária ao Manual de Instruções ou se as respectivas ligações tiverem sido feitas incorrectamente. Esta garantia não se aplica ao seguinte:
 - quaisquer danos ao produto que sejam resultado de manutenção incorrecta
 - qualquer produto que tenha sido alterado ou modificado
 - qualquer produto cujas marcações de identificação de origem (marca comercial, número de série) tiverem sido apagadas, alteradas ou retiradas
 - quaisquer danos causados pelo incumprimento do Manual de Instruções
 - qualquer produto que não seja da Comunidade Europeia
 - qualquer produto ao qual tenha sido feita, ou tentada fazer, uma reparação por outra pessoa que não um profissional habilitado ou sem autorização prévia de Techtronic Industries.
 - qualquer produto ligado a uma fonte de alimentação eléctrica incorrecta (Amperes, Voltagem e Frequência)
 - qualquer produto utilizado com uma mistura de combustível incorrecta (combustível, óleo, percentagem de óleo)
 - qualquer dano causado por influências externas (químicas, físicas, impactos) ou substâncias estranhas
 - desgaste e degradação normal de sobresselentes
 - utilização incorrecta, sobrecarga da ferramenta
 - utilização de acessórios ou peças não aprovados
 - quaisquer ajustes periódicos a, ou limpeza de manutenção de, carburadores
 - Componentes (peças e acessórios) sujeitos a desgaste e degradação natural, incluindo mas não se limitando a, maçanetas anti-choque, correias de transmissão, embraiagens, lâminas de recortadores de sebes ou corta-relvas, ameses, cabos de acelerador, escovas de carvão, cabos eléctricos, dentes, anilhas de feltro, pinos de engate, ventoinhas do soprador, tubos do soprador e do aspirador, cintas e sacos do aspirador, barras de guia, correntes de serra, mangueiras, peças de ligação, bocais de pulverização, rodas, varinhas de pulverização, bobinas interiores, bobinas exteriores, linhas de corte, velas de ignição, filtros do ar, filtros de gasolina, lâminas trituradoras, etc.
4. Para assistência, o produto tem de ser enviado para, ou apresentado em, um posto de assistência autorizado RYOBI, conforme listado para cada país na lista de moradas de postos de assistência seguinte. Nalguns países, o seu concessionário RYOBI local encarrega-se de enviar o produto para a organização de assistência RYOBI. Quando enviar um produto para um posto de assistência RYOBI, o produto deve ser embalado de forma segura, sem conter nenhuns conteúdos perigosos (por exemplo, gasolina), marcado com o endereço do remetente e acompanhado por uma breve descrição da avaria.
5. Uma reparação/substituição ao abrigo desta garantia é gratuita. Não constitui um prolongamento a, nem um novo início de, o período da garantia. As peças ou ferramentas substituídas tornam-se propriedade nossa. Nalguns países, o remetente terá de pagar os custos de entrega ou a remessa postal. Os seus direitos previstos por lei resultantes da compra da ferramenta mantêm-se inalterados
6. Esta garantia é válida na Comunidade Europeia, Suíça, Islândia, Noruega, Liechtenstein, Turquia e Rússia. Fora destas áreas, entre em contacto com o seu concessionário autorizado RYOBI para determinar se existe outra garantia aplicável.

CENTRO DE ASSISTÊNCIA AUTORIZADO

Para encontrar um centro de assistência autorizado próximo de si, visite <http://pt.ryobitools.eu/header/service-and-support/service-agents>.

DA RYOBI® BETINGELSER FOR GARANTI

Udover lovbestemte rettigheder, ser resultater af købet, er dette produkt dækket af en garanti, som anført herunder.

1. Garantiperioden er 24 måneder for forbrugere og begynder på den dato, som produktet blev købt. Denne dato skal dokumenteres af en faktura eller andet bevis for køb. Produktet er udelukkende designet og dedikeret til forbrugere og privat brug. Så der ydes ingen garanti i tilfælde af professionel eller kommerciel brug.
2. Der er en mulighed for at forlænge garantiperioden for en del af udvalget af haveværktøj (AC/DC), hen over den ovenfor beskrevne periode vha. registrering på hjemmesiden www.ryobitools.eu. Berettigelsen af værktøjet til forlængelse af garantiperioden er tydeligt vist i butikker og/eller på emballage/og indeholdt i produktokumentationen. Slutbrugeren skal registrere hans/hendes nyligt indkøbte værktøj online indenfor 30 dage efter købsdatoen. Slutbrugeren kan registrere sig for den forlængede garanti i sit land, hvis han/hun er opført på den online registreringsformular, hvor denne mulighed er gyldig. Derudover skal slutbrugere give deres samtykke til at opbevare data, som er påkrævet at indtaste online, og de er nødt til at acceptere vilkår og betingelser. Registreringsbekræftelseskittinger, som sendes ud på e-mail, og den originale faktura, som viser købsdatoen, vil fungere som bevis for den forlængede garanti.
3. Garantien dækker alle defekter, som et produkt måtte have i løbet af garantiperioden, og som skyldes produktionsfejl eller materialefejl på købsdatoen. Garantien er begrænset til reparation og/eller udskkning og inkluderer ikke andre forpligtelser, inklusiv men ikke begrænset til tilfældige skader eller følgeskader. Garantien er ugyldig, hvis produktet er blevet misbrugt, brugt uden at overholde vejledningen, eller det er blevet forkert tilsat. Denne garanti gælder ikke:
 - Beskadigelse af produktet, som er et resultat af uegnet vedligeholdelse
 - Et produkt der er blevet ændret eller modificeret
 - Et produkt hvor de originale identifikationsmærkninger (varemærke, serienummer) er blevet ødelagt, ændret eller fjernet.
 - Enhver beskadigelse forårsaget af manglende overholdelse af vejledningen
 - Ethvert ikke CE-produkt
 - Ethvert produkt som er blevet forsøgt repareret af en ukvalificeret professionel eller uden tidligere autorisation af Techtronic Industries.
 - Ethvert produkt som er tilsat uegnet strømforsyning (ampere, spænding, frekvens)
 - Ethvert produkt som bruges med uegnet brændstofblanding (brændstof, olie, procentdel olie)
 - Enhver skade forårsaget af ekstern påvirkning (kemisk, fysisk, chok) eller fremmedelementer
 - Normal slid på reservedele
 - Uegnet brug, overbelastning af værktøjet
 - Brug af ikke-godkendt tilbehør eller dele
 - Alle regelmæssige justeringer eller vedligeholdelsesrensning af karburatorer
 - Komponenter (dele og tilbehør) som er udsat for naturlig slid og ælde, inklusiv men ikke begrænset til drejeknapper, drivrem, greb, klinger til hæktrimmere eller plæneklippere, sele, kabel gasspædd, kulbørster, elledning, tænder, filterkviser, ophængstapper, blæseventilatorer, blæser- og sugeslanger, sugepose og stropper, styrestænger, savkæder, slanger, forbindelsespakninger, sprøjtedyser, hjul, sprøjtestave, indvendige ruller, udvendige ruller, udvendige spoler, skærelinjer, tænder, luftfilter, gasfilter, tildækningsblade etc.
4. For eftersyn skal produktet sendes til eller præsenteres for en RYOBI-autoriseret service værksted, som er oplyst for hvert land i den følgende liste over service værksted adresser. I nogle lande påtager din lokale RYOBI-forhandler sig ansvaret for at sende produktet til RYOBI-serviceorganisationen. Når et produkt sendes til en RYOBI-service værksted, skal det pakkes sikkert ind uden noget farligt indhold som benzin, mærkes med afsenderens adresse og med en kort beskrivelse af fejlen.
5. En reparation/erstatning under denne garanti er gratis. Den udgør ikke en forlængelse eller en ny start på garantiperioden. Udvekslede dele eller værktøjer bliver vores ejendom. I nogle lande skal leveringsafgifter eller porto betales af afsenderen. Dine lovbestemte rettigheder i forbindelse med købet forbliver uanfægtede
6. Denne garanti gælder i EU, Schweiz, Island, Norge, Liechtenstein, Tyrkiet og Rusland. Udenfor disse områder bedes du kontakte din autoriserede RYOBI-forhandler for at afgøre, om en anden garanti gælder.

AUTORIZEREDE SERVICEVÆRKSTEDER

Find nærmeste autoriserede serviceværksted på <http://dk.ryobitools.eu/header/service-and-support/service-agents>.

SV RYOBI® ANVÄNDNINGSVILLKOR FÖR GARANTI

Forutsett eventuella lagstadgade rättigheter som uppstår genom köpet, täcks den här produkten av en garanti som anges nedan.

- Garantiperioden är 24 månader för konsumenter och börjar gälla från det datum då produkten köptes. Detta datum måste dokumenteras på en faktura eller annat köpbevis. Produkten är utformad och avsedd för konsumenter och privat bruk. Därmed tillhandahålls ingen garanti vid yrkesmässigt eller kommersiellt bruk.
- Det finns möjlighet att förlänga garantiperioden för en del av utbudet för trädgårdsverktyg (AC/DC) under den period som anges ovan genom att använda registreringen på webbplatsen www.ryobitools.eu. De verktyg som är berättigade till en förlängning av garantiperioden visas tydligt i butiker och/eller på förpackningen/och anges i produktdokumentationen. Slut användaren behöver registrera hans/hennes nyförvärvade verktyg online inom 30 dagar från köpdatumet. Slut användaren kan registrera sig för den förlängda garantin i det land där han/hon bor om landet finns angivet i registreringsformuläret online och där detta alternativ är giltigt. Dessutom måste slut användaren ge sitt medgivande till lagring av data vilket krävs vid registrering online samt acceptera villkoren. Bekräftelsekvittot för registreringen som skickas ut via e-post och originalfakturan som visar köpdatumet kommer att gälla som bevis för den förlängda garantin.
- Garanti täcker alla produktdefekter under garantiperioden som beror på brister i utförande eller material vid köpdatumet. Garantin är begränsad gällande reparation och/eller utbyte och inkluderar inte några skyldigheter inklusive men inte begränsat till oförutsedda skador eller följdskador. Garantin är inte giltig om produkten har missbrukats, använts i strid med bruksanvisningen eller inte anslutits på rätt sätt. Denna garanti täcker inte:
 - eventuella skador på produkten som uppstått till följd av felaktig underhåll
 - produkter som har ändrats eller modifierats
 - produkter där ursprungliga identifieringsmärken (varumärke, serienummer) har målats över, ändrats eller tagits bort
 - eventuella skador som uppstått till följd av att bruksanvisningen inte efterföljts
 - alla icke CE-produkter
 - eventuella produkter som har försökts repareras av en icke-kvalificerad yrkesman eller utan föregående medgivande från Techtronic Industries.
 - eventuella produkter som anslutits till felaktig strömförsörjning (ampere, volt, frekvens)
 - eventuella produkter som använts med olämplig bränsleblandning (bränsle, olja, oljeprocent)
 - eventuella skador som uppstått till följd av yttre påverkan (kemisk, fysisk, stötar) eller från främmande ämnen
 - normalt slitage av reservdelar
 - olämplig användning, överbelastning av verktyget
 - användningen av icke-godkända tillbehör eller delar
 - Eventuella periodiska justeringar av eller vid underhållsrengöring av förgasare
 - Komponenter (delar och tillbehör) är föremål för naturligt slitage, inklusive men inte begränsat till tryckknappar, drivremmar, koppling, blad till kantrimrar eller gräsklippare, sele, gasreglageväj, kolborstar, strömladd, spetsar, filtrickor, kopplingsprint, blåsfåkt, blåsgår, sugpåse och remmar, styrskenor, sågkedjor, slangar, anslutningsdonördet, spraymunstycken, hjul, spraystavar, innerrullar, ytterspolar, skärtråd, tändstift, luftfilter, gasfilter, sönderdelningsblad osv.
- Vid service måste produkten skickas eller uppvisas för en RYOBI- auktoriserad servicestation som står angiven för varje land i följande adresslista över servicestationer. I vissa länder tar din lokala RYOBI- återförsäljare på sig ansvaret att skicka produkten till RYOBI- serviceorganisationen. När en produkt skickas till en RYOBI- servicestation, ska produkten paketeras säkert utan något färligt innehåll såsom bensin, markeras med avsändarens adress samt en kort beskrivning av felet.
- En reparation/ett utbyte under denna garanti är kostnadsfri. Det utgör inte en förlängning eller förymelse av garantiperioden. Utbyta delar eller verktyg blir vår egendom. I vissa länder måste leveranskostnader eller porto betalas av avsändaren. Dina lagstadgade rättigheter som härrör från köpet av verktyget förblir opåverkade
- Denna garanti är giltig i Europeiska gemenskapen: Schweiz, Island, Norge, Liechtenstein, Turkiet och Ryssland. Utanför dessa länder, kontakta din auktoriserade RYOBI-återförsäljare för att avgöra om en annan garanti gäller.

AUKTORISERAT SERVICECENTER

Du hittar närmaste auktoriserade servicecenter genom att gå till <http://se.ryobitools.eu/header/service-and-support/service-agents>.

FI RYOBI® TAKKUUN SOVELTAMISEHDOT

Tällä tuotteella on oston luomien lakisääteisten oikeuksien ohella alla mainitun mukainen takuu.

- Takuun kesto on kuluttajille 24 kuukautta ja takuuaika alkaa tuotteen ostohetkestä. Tämän päivämäärän tulee lukea laskussa tai muussa ostotositteessa. Tuote on suunniteltu ja tarkoitettu vain kuluttajien ja yksityiseen käyttöön. Takuu ei siis kata ammatti- eikä kaupallista käyttöä.
- Joidenkin puutarhatyökalujen (AC/DC) takuun kesto on mahdollista laajentaa yllä mainittua kestoja pidemmäksi verkossivuston www.ryobitools.eu rekisteröinnin kautta. Työkalujen kelpoisuus takuujakson laajennukseen näkyy selkeästi myymälöissä ja/tai pakkauksissa ja/tai tämä tieto sisältyy tuotedokumentaation. Loppukäyttäjän täytyy rekisteröidä vasta hankittu työkalut internetissä 30 päivän kuluessa ostopäivämäärästä. Loppukäyttäjä voi rekisteröidä laajennetun takuun kotimaassaan, jos se on luettuna online-rekisteröintilomakkeessa, jossa mainitaan, missä tämä vaihtoehto on voimassa. Loppukäyttäjien täytyy lisäksi hyväksyä tietojen tallennus, jotka heidän täytyy antaa online-tilassa sekä ehdot. Rekisteröinnin vahvistuskutti, joka lähetetään sähköpostitse, ja alkupeirien ostopäivämäärän ilmaiseva lasku toimivat laajennetun takuun tositteina.
- Takuu kattaa kaikki tuotteen takuuaikana tulevat viat, joiden aiheuttajina ovat tuotteessa ostopäivänä olleet valmistus- tai materiaaliviat. Takuu on rajoitettu korjaukseen ja/tai vaihtoon eikä se sisällä mitään laita velvoitteita mukaan lukien satunnais- ja seurannaisvahinkoja, mutta rajoittumatta niihin. Takuu ei päde, jos tuotetta on käyretty väärin, käyttööhojeen vastaisesti tai jos se on liitetty virheellisesti. Tämä takuu ei kata:
 - virheellisestä huollosta johtuvia vaurioita
 - muunnettua tai muutettua tuotetta
 - tuotetta, jonka alkupeirästä tunnisteimerkinä (tavaramerkki, sarjanumero) on turmeltu, muutettu tai poistettu
 - tämän käyttöoppaan laiminlyönnistä johtuvia vaurioita
 - ei-CE-tuotetta
 - tuotetta, jota on yrittänyt korjata epäpätevä ammattilainen tai joka on korjattu ilman Techtronic Industrien ennakkolupa.
 - tuotetta, joka on liitetty virheelliseen teholahteeseen (ampeirit, jännite, laajuus)
 - tuotetta, jossa on käytetty väärää polttoaineseosta (polttoaine, öljy, öljyprosentti)
 - ulkoisten vaikutusten (kemiallinen, fyysinen, iskut) tai vieraiden aineiden aiheuttamaa vauriota
 - normaaleja kuluja varaosia
 - virheellistä käyttöä, työkalun ylikuormitusta
 - ei-hyväksytyjen tarvikkeiden tai osien käyttöä
 - Kaasutintien säännöllistä säätöä tai ylläpidettävää puhdistusta
- Luonnollisesti kuluvia komponentteja (osia tai tarvikkeita), joihin sisältyvät puskunupit, käyttöihinat, kytkin, pensasleikkurien tai ruohonleikkurien terät, valjaat, kaasuvaijeri, hiiharjat, virtajohto, piikit, huopatiivisteet, sokkapatit, puhallintuuletin, puhallin- ja imputket, imurien säkit ja ihinat, terälevyt, sahankejut, letkut, liittinosa, suihkusuihuttimet, pyörät, ruiskutusputket, sisä- ja ulkokelat, leikkusuimat, hehkutulpat, ilmansuodattimet, kaasunsuodattimet, silpputerät yms. näihin kuitenkin rajoittumatta.
- Tuote on lähetettävä huollettavaksi valtuutettuun RYOBI-huoltoon tai näytettävä siellä. Niiden osoitteet kussakin maassa löytyvät seuraavasta luettelosta. Joissakin maissa paikallinen RYOBI-jälleenmyyjä huolehtii tuotteen lähetyksestä RYOBI-huolto-organisaatioon. Kun tuote lähetetään RYOBI-huoltoon, se täytyy pakata hyvin ilman vaarallisia aineita, kuten polttoainetta, ja pakkaukseen täytyy merkitä lähettäjän nimi sekä vian lyhyt kuvaus.
- Takuun kattama korjaus/vaihto on maksuton. Se ei tarkoita takuuaajan laajennusta tai alkamista alusta. Vaihdetut osat tai työkalut siirtyvät valmistajan omistukseen. Joissakin maissa lähettäjän täytyy maksaa lähetyskustannukset tai postikulut. Työkalun oston luomat lakisääteiset oikeudet pysyvät koskemattomina
- Tämä takuu on voimassa Euroopan yhteisössä, Sveitsissä, Islannissa, Norjassa, Liechtensteinissa, Turkissa ja Venäjällä. Ota näiden alueiden ulkopuolelta yhteyttä omaan valtuutettuun RYOBI-jälleenmyyjään ja selvitä, onko jotain muuta takuuta.

VALTUUTETTU HUOLTO

Voit etsiä lähimmän valtuutetun huollon sivulta <http://fi.ryobitools.eu/header/service-and-support/service-agents>.

(NO) RYOBI® GARANTIBETINGELSER

I tillegg til eventuelle lovbestemte rettigheter som følger av kjøpet, er dette produktet dekket av en garanti som angitt nedenfor.

1. Garantiperioden er 24 måneder for konsumenter og gjelder fra den datoen som produktet ble kjøpt. Denne datoen skal dokumenteres med en faktura eller annet kjøpsbevis. Produktet er designet og beregnet kun til konsument- og privat bruk. Så det gir ingen garanti ved profesjonell eller kommersiell bruk.
2. For en del av utvalget av hageverktøy (AC/DC) er det mulighet til å utvide garantiperioden i den perioden som er beskrevet ovenfor ved bruk av registreringer på nettside www.ryobitools.eu. Kvalifiseringer av verktøyene for en utvidelse av garantiperioden er tydelig vist i butikker og 7eller på pakningen / og finnes innen produktokumentasjonen. Sluttbrukeren må registrere sine nylig anskaffede verktøy online innen 30 dager etter kjøpsdato. Sluttbrukeren kan registrere seg for den utvidede garantien i sitt land hvis det er opplistet på online registreringsskjemaet der dette alternativet er gyldig. Videre må sluttbrukere gi sitt samtykke til oppbevaring av dataene som kreves for å gå online, og de må godta vilkår og betingelser. Registreringsbekräftelsen, som sendes ut av e-post, og den originale fakturaen som viser kjøpsdato, vil tjene som bevis for den utvidede garantien.
3. Garantien dekker alle defekter i produktet under garantiperioden på grunn av defekter i utførelse eller materiale på kjøpsdato. Garantien er begrenset til å reparere og/eller erstatte og inkluderer ikke noen andre forpliktelser, inkludert, men ikke begrenset til, tilfældige eller følgesmessige skader. Garantien er ikke gyldig hvis produktet har blitt misbrukt, brukt på annen måte enn det som beskrives i bruksanvisningen eller er koblet til på feil måte. Denne garantien gjelder ikke for:
 - enhver skade på produktet som er resultat av utilstrekkelig vedlikehold
 - ethvert produkt som har blitt endret eller modifisert
 - ethvert produkt der de originale identifiseringsmerkene (varemerke, serienummer) har blitt uleselig, er endret eller fjernet
 - enhver skade som forårsaker av ikke-overholdelse av instruksjonshåndboken
 - ethvert ikke-CE-produkt
 - ethvert produkt som har blitt forsøkt reparert eller av en ikke-kvalifisert fagperson eller uten tidligere autorisasjon fra Technic Industries.
 - ethvert produkt tilkøbt feil strømforsyning (ampere, spenning, frekvens)
 - ethvert produkt som brukes med feil drivstoffblanding (drivstoff, olje, prosentandel olje)
 - enhver skade som er forårsaket av eksterne påvirkninger (kjemiske, fysiske, støt) eller fremmede stoffer
 - normal slitasje og slitereservedeler
 - feil bruk, overbelastning av verktøyet
 - bruk av ikke-godkjent tilbehør eller deler
 - Eventuelle periodiske justeringer av eller vedlikeholdrensing/ rengjøring av forbrennere
 - Komponenter (deler og tilbehør) som er underlagt naturlig slitasje, inkludert, men ikke begrenset til bulkknøtter, drivreimer, clutch, blader på hekktrimmere eller gressklippere, seler, kabelspjeld, karbonbørster, strømledning, kniver, feltpakninger, heispinner, blåseviser, blåse- og vakuumslang, vakuumpose og reimer, førerstenger, sagkjeder, strøpmer, koblingsmonteringer, spraydyser, hjul, spraystenger, indre spoler, ytre spoler, kuttelinjer, tennplugg, luftfilter, gassfilter, mulchingblader osv.
4. For service må produktet sendes eller fremlegges for en RYOBI-autorisert servicestasjon opplistet for hvert land i den følgende listen over servicestasjonsadresser. I noen land sender den lokale RYOBI-forhandleren produktet til RYOBI serviceorganisasjonen. Ved å sende et produkt til en RYOBI servicestasjon skal produktet være sikkert pakket uten noe farlig innhold, slik som bensin, merket med senderens adresse og fulgt av en kort beskrivelse av feilen.
5. En reparasjon/erstatning under denne garantien er gratis. Den utgår ingen forlengelse eller en ny start av garantiperioden. Utvekslede deler eller verktøy blir vår eiendom. I noen land vil leveringskostnader eller franking måtte betales av senderen. Dine lovbestemte rettigheter som oppstår fra kjøp av verktøyet forblir uberørt.
6. Denne garantien er gyldig i EU, Sveits, Island, Norge, Liechtenstein, Tyrkia og Russland. Utenfor disse områdene ta kontakt med din autoriserte RYOBI-forhandler om en annen garanti gjelder.

AUTORISERT SERVICECENTER

For å finne et autorisert servicecenter i nærheten, gå til <http://no.ryobitools.eu/header/service-and-support/service-agents>.

(RU) УСЛОВИЯ ПРИМЕНЕНИЯ ГАРАНТИИ НА ПРОДУКЦИЮ RYOBI®

Помимо законных прав, возникающих при покупке, данное изделие покрывается гарантией в соответствии с приведенными ниже пунктами.

1. Гарантийный период для покупателя составляет 24 месяца с даты покупки изделия. Дата покупки должна быть подтверждена полностью заполненным гарантийным талоном и чеком о покупке. Данное изделие предназначено только для частного использования покупателем. Поэтому гарантия не распространяется на использование в профессиональных или коммерческих целях.
2. Предусмотрена возможность продления для части изделий линейки садовых инструментов (AC/DC) гарантийного периода с помощью регистрации на сайте www.ryobitools.eu. Право инструмента на продление гарантийного периода четко указано в магазинах и / или на упаковке и содержится в сопутствующей инструменту документации. Конечный пользователь должен зарегистрировать свой приобретенный инструмент в течение 30 дней с даты покупки. Конечный пользователь может зарегистрировать свой инструмент на продление гарантии в стране своего проживания, если она указана в форме онлайн-регистрации. Кроме того, конечный пользователь должен дать свое согласие на хранение данных, которые необходимо ввести в онлайн-форму и принять правила и условия. Подтверждение регистрации, которое вы получите по электронной почте, заполненный гарантийный талон и оригинальный чек, в котором указана дата покупки, будут служить доказательством продленной гарантии.
3. Гарантия покрывает в течение гарантийного периода все дефекты качества материала изделия на дату покупки. Гарантия ограничена ремонтом и / или заменой и не включает никакие другие обязательства, включая, но не ограничиваясь случайными или косвенными убытками. Гарантия становится недействительной, если изделие использовалось не по назначению, вопреки инструкциям, данным в Руководстве пользователя или было неправильно подключено. Настоящая гарантия не распространяется на:
 - любые повреждения изделия в результате неправильного технического обслуживания или недостаточного ухода за инструментом
 - любые изделия, подвергшиеся изменениям и модификации
 - любые изделия, оригинальные идентификационные отметки которого (торговая марка, серийный номер) были повреждены, изменены или удалены
 - любые повреждения, вызванные несоблюдением инструкций Руководства пользователя
 - любые изделия, не сертифицированные маркировкой "CE" для продажи в Европейском союзе
 - любые изделия, подвергшиеся попыткам ремонта неквалифицированным работником или без предварительного утверждения компании Technic Industries.
 - любые изделия, подключенные к неправильному источнику питания (сила тока, напряжение, частота)
 - любые изделия, в которых использовались несоответствующие топливные смеси (топливо, масло, процент масла)
 - любые повреждения, вызванные внешними воздействиями (химические, физические, удары) или посторонними веществами
 - естественный износ запасных деталей
 - несоответствующее использование, перегрузка инструмента
 - использование неутвержденных аксессуаров и неоригинальных запасных деталей
 - любые регулярные регулировки, техническое обслуживание или чистка карбюраторов
 - компоненты (детали и аксессуары), подверженные естественному износу, включая, но не ограничиваясь фиксаторы шулуи приводные ремни, шесты, шесты муфты, лезвия триммеров и газонокосилок, плечевые ремни, кабельный дроссельный регулятор, угловые щетки, кабели питания, зубья, войлочные шайбы, фиксирующие шпильки, вентиляторы воздухоудуши, трубки воздухоудуши и пылесоса, мешок для сбора мусора и ремни, пыльные шины, пыльные цепи, шланги, соединительные детали, распылительные насадки, колеса, распылительные переходники, внутренние катушки и шулуи, режущую леску, свечи зажигания, воздушные и топливные фильтры, мульчирующие лезвия и др.
4. Для проведения технического обслуживания изделие следует направлять в авторизованные сервисные центры RYOBI, указанные для каждой страны в приведенном ниже списке адресов станций сервисного обслуживания. В некоторых странах местные дилеры RYOBI отправляют изделия в сервисные организации RYOBI. При отправке изделия в сервисный центр RYOBI, изделие должно быть безопасно упаковано и не содержать никаких опасных веществ, таких как бензин, должен быть подписан адрес отправителя и сопровождаться кратким описанием неисправности.
5. Ремонт / замена производится в рамках настоящей гарантии бесплатно. Он не продлевает гарантию и не инициирует новый гарантийный период. Заменяемые детали и инструменты становятся нашей собственностью. В некоторых странах отправитель должен оплачивать стоимость отправки. Ваши законные права, возникшие при покупке инструмента, остаются неизменными.
6. Данная гарантия действительна в Европейском Сообществе, Швейцарии, Исландии, Норвегии, Лихтенштейне, Турции и России. Вне указанных территорий обращайтесь к своему авторизованному дилеру RYOBI, чтобы узнать, применяются ли условия каких-либо других гарантий.

УПОЛНОМОЧЕННЫЙ СЕРВИСНЫЙ ЦЕНТР

Чтобы найти ближайший уполномоченный сервисный центр, обратитесь к веб-сайту <http://ru.ryobitools.eu/header/service-and-support/service-agents>.

PL WARUNKI GWARANCJI RYOBI®

Opis praw ustawowych wynikających z zakupu produktu jest objęty gwarancją, której warunki podano poniżej.

- Okres gwarancyjny wynosi 24 miesiące dla konsumentów i rozpoczyna się w dniu zakupu produktu. Datę zakupu należy udokumentować fakturą lub innym dowodem zakupu. Produkt został zaprojektowany i jest przeznaczony do użytku konsumentskiego i prywatnego. W związku z tym gwarancja nie obejmuje zastosowań profesjonalnych i komercyjnych.
- Istnieje możliwość wydłużenia okresu gwarancyjnego dla części asortymentu narzędzi ogrodniczych (AC/DC) poprzez zarejestrowanie produktu na stronie internetowej www.ryobitools.eu. Kwalifikowalność narzędzi do wydłużenia okresu gwarancyjnego jest wyraźnie określona w sklepach i/lub na opakowaniu oraz w dokumentacji produktu. Użytkownik końcowy musi zarejestrować nowo kupione narzędzia online w ciągu 30 dni od daty zakupu. Użytkownik końcowy może zarejestrować się w celu przedłużenia gwarancji w swoim kraju zamieszkania, jeżeli jest on wymieniony w formularzu rejestracji online, gdzie opcja ta obowiązuje. Ponadto użytkownicy końcowi muszą wyrazić zgodę na przechowywanie danych, wprowadzanych na stronie internetowej i zaakceptować regulamin. Dowodem wydłużenia gwarancji jest wysłane pocztą elektroniczną potwierdzenie rejestracji i oryginalna faktura potwierdzająca datę zakupu.
- Gwarancja obejmuje wszystkie wady produktu ujawnione w okresie gwarancyjnym wynikające z usterki wykonania lub materiału obecnego w dniu zakupu. Gwarancja jest ograniczona do naprawy i/lub wymiany i nie obejmuje żadnych innych zobowiązań, w tym między innymi odpowiedzialności za szkody przypadkowe lub wtórne. Gwarancja nie obowiązuje, jeżeli produkt był nieprawidłowo używany, używany niezgodnie z instrukcją lub nie był prawidłowo podłączony. Gwarancja nie obejmuje:
 - uszkodzenia produktu wynikającego z nieprawidłowej konserwacji,
 - produktu, który został zmieniony lub zmodyfikowany,
 - produktu, którego oryginalne oznaczenie (znak towarowy, numer seryjny) zostało zniszczone, zmienione lub usunięte,
 - jakichkolwiek uszkodzeń wynikających z nieprzestrzegania instrukcji,
 - jakiegokolwiek produktu bez certyfikatu CE,
 - jakiegokolwiek produktu, który próbowano naprawić z pomocą niewykwalifikowanej osoby lub bez uzyskania wcześniejszej zgody firmy Technicron Industries.
 - jakiegokolwiek produktu podłączonego nie nieprawidłowo źródła zasilania (nieprawidłowe napięcie prądu, napięcie, częstotliwość),
 - jakiegokolwiek produktu, który był używany z nieprawidłową mieszanką paliwową (paliwo, olej, procentowy udział oleju),
 - jakichkolwiek uszkodzeń spowodowanych wpływem czynników zewnętrznych (chemicznych, fizycznych, drgań) lub substancji obcych,
 - normalnego zużycia części zamiennych,
 - nieprawidłowego użycia, przezielenia narzędzia,
 - stosowania niezatwierdzonych akcesoriów lub części,
 - jakichkolwiek okresowych regulacji lub czyszczenia gaźników w ramach konserwacji
 - elementów (części i akcesoriów) podlegających naturalnemu zużyciu, obejmujących, między innymi, kopułki do zwalniania żyłki, pasy napędowe, sprężło, ostrza przycinarek do żywopłotów lub kosiarek do trawy, uprzęż, przepustnicę linkową, szczotki węglowe, przewód zasilania, zęby, podkładki filcowe, kołki podnośnika, wentylatory dmuchawy, rury nadmuchiwe i ssawne, worek na śmieci i paski, prowadnice, łańcuchy piły, węże, mocowanie złączy, dysze natryskowe, kółka, pręty natryskowe, szpule wewnętrzne, szpule zewnętrzne, filtry gazu, ostrza do ściółkowania itp.
- W celu serwisowania produktu należy wysłać lub okazać w autoryzowanym punkcie serwisowym RYOBI znajdującym się na przedstawionym poniżej wykazie punktów serwisowych w poszczególnych krajach. W niektórych krajach lokalny dystrybutor produktów RYOBI podejmuje się wysyłki produktu do centrum serwisowego RYOBI. W przypadku wysyłki do punktu serwisowego RYOBI produkt — pozbawiony jakichkolwiek niebezpiecznych substancji, na przykład benzyny — należy bezpiecznie zapakować i dołączyć adres nadawcy oraz krótki opis usterki.
- Naprawa/wymiana w ramach niniejszej gwarancji jest bezpłatna. Nie stanowi jednak o przedłużeniu lub rozpoczęciu od nowa biegu okresu gwarancyjnego. Wymienione części lub narzędzia stają się naszą własnością. W przypadku niektórych krajów nadawca będzie musiał uregulować koszty dostawy lub opłaty pocztowe. Prawa ustawowe wynikające z zakupu narzędzia pozostają niezmienione.
- Niniejsza gwarancja obowiązuje w Unii Europejskiej, Szwajcarii, Islandii, Norwegii, Liechtensteinie, Turcji i Rosji. Poza tymi obszarami należy skontaktować się z autoryzowanym dostawcą produktów RYOBI i ustalić, czy obowiązuje inna gwarancja.

AUTORYZOWANY PUNKT SERWISOWY

Najbliższy autoryzowany punkt serwisowy można wyszukać w witrynie internetowej <http://pl.ryobitools.eu/header/service-and-support/service-agents>.

CS ZÁRUČNÍ PODMÍNKY RYOBI®

Kromě zákonných práv vyplývajících z koupě výrobku se na tento výrobek vztahuje také níže uvedená záruka.

- Záruční doba pro spotřebitele je 24 měsíců a začíná datem nákupu výrobku. Datum musí být zaznamenáno na faktuře nebo jiném dokladu o koupi. Tento výrobek je navržen a určen pouze pro soukromé účely spotřebitelů. Záruka se tedy vztahuje na profesionální nebo komerční využití výrobku.
- U některých zahradních nástrojů (AC/DC) je možné záruční dobu prodloužit. K tomu je nutná registrace na stránkách www.ryobitools.eu. Možnost prodloužené záruční doby výrobku je jasné uvedena v prodejních, popř. na obalech nebo v dokumentech o výrobku. Koncový uživatel musí svůj nový nástroj zaregistrovat online do 30 dnů od data nákupu. Koncový uživatel se může k prodloužené záruční době zaregistrovat v zemi trvalého pobytu, pokud je tato možnost dostupná. Koncoví uživatelé musí dále souhlasit s uložením osobních údajů, která musí zadat na internetu, a přijmout obchodní podmínky. E-mail s potvrzením registrace a původní faktura s datem koupě poslouží jako důkaz o prodloužené záruce.
- Záruka se vztahuje na veškeré vady na výrobku v rámci záruční doby způsobené výrobními vadami nebo vadami materiálu v době koupě. Záruka je omezena na opravu, popřípadě výměnu a nezahrnuje žádné další povinnosti, včetně mimo jiné vedlejších či následných odškodnění. Záruka neplatí při použití výrobku k nevhodným účelům, v rozporu s uživatelskou příručkou nebo při nesprávném zapojení. Záruka se nevztahuje na:
 - veškeré škody na výrobku způsobené nesprávnou údržbou
 - veškeré produkty, které byly pozměněny nebo upraveny
 - veškeré produkty, kde byl původní identifikační prvky (obchodní značka, sériové číslo) poničeny, pozměněny nebo odstraněny
 - veškeré škody způsobené nedodržováním pokynů uživatelské příručky
 - veškeré produkty bez CE certifikace
 - veškeré produkty, které se pokusil opravit nekvalifikovaný odborník nebo opravy bez předchozího svolení společnosti Technicron Industries.
 - veškeré produkty zapojené do nesprávného elektrického zdroje (proud, napětí, frekvence)
 - veškeré produkty používané s nevhodnou palivovou směsí (paliwo, olej, procento oleje)
 - veškeré škody způsobené externími vlivy (chemickými, fyzickými, nárazy) nebo cizími látkami
 - běžné opotřebování dílů
 - nevhodné použití, přetěžování nástroje
 - použití neschválených příslušenství nebo dílů
 - veškerá pravidelná seřízení nebo čištění v rámci údržby karburátoru
 - komponenty (díly a příslušenství) podléhající opotřebení, včetně mimo jiné nárazových koleček, posuvných pásů, spojek, nožů plotových nůžek a sekaček na trávu, popruhu, plynového lanka, karbonových kartáčů, napájecího kabelu, zubů, plstěných podložek, závěsných kolků, větráků fukaru, trubic fukaru a vysavače, vaku a popruhu vysavače, vodících lišt, pilových řetězů, hadic, konektorů, trysek, kol, stříkačích tyčí, vnitřních cívek, vnějších kotoučů, řezných strun, zapalovačích svíček, vzduchových filtrů, plynových filtrů, mulčovačích nožů atd.
- K provedení servisu musí být výrobek zaslán nebo předán do autorizovaného servisního centra společnosti RYOBI, jejichž adresy jsou uvedeny podle zemí v seznamu servisních center. V některých zemích za vás výrobek pošle servisní organizaci RYOBI sám prodejce výrobků této značky. Při zasílání výrobku do servisního centra RYOBI je potřeba výrobek bezpečně zabalit bez nebezpečného obsahu jako benzín, opatřit adresou odesílatele a připojit krátký popis závady.
- Oprava, popř. výměna v rámci této záruky je zdarma. Neznamená to prodloužení nebo začátek nové záruční lhůty. Vyměněné díly nebo nástroje přejdou do našeho vlastnictví. V některých zemích platí postovné odesílatele. Vaše zákonná práva vyplývající z koupě tohoto nástroje zůstávají nedotčena.
- Tato záruka platí v Evropském Společenství, Švýcarsku, Norsku, Lichtenštejnsku, Turecku, Rusku a na Islandu. Mimo tato území kontaktujte autorizovaného prodejce značky RYOBI, který zjistí, zda se na výrobek vztahuje jiná záruka.

POVĚŘENÉ SERVISNÍ STŘEDISKO

Pro nalezání nejbližšího pověřeného servisního střediska navštivte <http://cz.ryobitools.eu/header/service-and-support/service-agents>.

HU A RYOBI® GARANCIA ALKALMAZÁSÁNAK FELTÉTELEI

A vásárlásból adódó törvényben rögzített jogok mellett a termékre az alábbi garancia vonatkozik.

1. A fogyasztói garancia tartama 24 hónap, mely a termék vásárlásának napjával kezdődik. Ezt a dátumot számlával vagy a vásárlást igazoló egyéb dokumentummal kell bizonyítani. A termék rendeltetése csak fogyasztói és magánocélú használat. Ezért professzionális vagy kereskedelmi használat esetén a garancia nem érvényes.
2. A kerti szerszámok (egyenáramú/váltóáramú) egy részénél a garancia időtartama a www.ryobitools.eu webapon regisztrálva meghosszabbítható. Az árúhárakban, a csomagolásban, illetve a termék dokumentációjában egyértelműen jelezzük, hogy az adott termék garanciája meghosszabbítható-e. A végfelhasználónak a vásárlás dátumától számított 30 napon belül regisztrálnia kell az újonnan vásárolt szerszámot. A végfelhasználó akkor regisztrálhat a kiterjesztett garanciára, ha az ország, ahol lakik, fel van sorolva az online regisztrációs űrlapon azon országok között, ahol választható ez az opció. Ezenkívül a végfelhasználónak bele kell egyeznie az online regisztrálás során szükséges adatok tárolásába, és el kell fogadnia a felhasználási feltételeket. A kiterjesztett garanciát a regisztráció beérkezésétől e-mailben küldött visszaigazolás és a vásárlás dátumát tartalmazó eredeti számla igazolja.
3. A garancia a termék vásárlásakor fennálló, a gyártás során keletkezett hibákra és anyaghibákra érvényes a garanciális időtartamon belül. A garancia csak a javításra/cserére korlátozódik, és nem terjed ki semmilyen egyéb kötelezettségre, nem kizárólagosan ideértve a véletlen vagy szándékos rongálást. A garancia nem érvényes, ha a termék nem megfelelően, a használati utasításban foglaltakkal ellentétben, illetve nem megfelelően csatlakoztatva használták. A garancia nem vonatkozik:
 - a terméket a nem megfelelő karbantartás következtében ért károsodásra
 - megváltoztatott vagy átalakított termékre
 - olyan termékre, melyben az eredeti azonosított (védjegy, sorozatszám) megromlottak, megváltoztattak vagy eltávolítottak
 - a használati utasításban nem tartásából eredő kára
 - CE jelöléssel nem rendelkező termékekre
 - olyan termékre, melyet nem képzett, illetve a Techtronic Industries által nem feljogosított szerelő javított
 - nem megfelelő (áramerősségű, feszültségű, frekvenciájú) áramforrásra csatlakoztatott termékre
 - nem megfelelő üzemanyag-keverékkel (üzemanyag, olaj, olaj aránya) használt termékre
 - külső (vegyi, fizikai, ütés) hatásokból vagy idegen anyagokból eredő károkra
 - a cserélhető alkatrészek természetes kopására és elhasználódására
 - a szerszám helytelen használatára, túlterhelésére
 - nem jóváhagyott tartozékok és alkatrészek használatára
 - A karburátorok rendszeres beállítása, karbantartása, tisztítása
 - A természetes kopásnak és elhasználódásnak kitett alkatrészek és kiegészítők, például (de nem kizárólag) damilodok, ékszíjak, foglalatok, sövényvágók és fűnyírók kése, heveder, gázbowden, szénkefék, tápkábel, kultivátorfogak, filcalkáték, akasztószögek, fűvókészülékek ventilátorai, fűvő- és szívócsövek, szívózsák és pántok, terelőrudak, fűrészlánccok, tömlők, csatlakozószerevények, permetezőfejek, kerekék, permetezőszárak, belső dobok, külső csévék, vágódamilok, gyűjtőgyertyák, légszűrők, gázsűrők, mulcsözőkések stb.
4. A termék javításra el kell vinni egy meghatalmazott RYOBI szervizbe; ezeket az egyes országokhoz a következő listában találja. Egyes országokban a helyi RYOBI kereskedő vállalja a termék elszállítását a RYOBI szervizbe. A terméket veszélyes tartalom, például benzín nélkül csomagolva, a feladó címét feltüntetve, a hiba rövid leírásával együtt küldje el a RYOBI szervizbe.
5. A jelen garancia hatálya alatt végzett javítás, illetve csere ingyenes. Nem jelenti a garanciális időtartam újraindulását. A kicserélt alkatrészek és szerszámok a mi tulajdonunkba kerülnek. Egyes országokban a szállítás vagy postázás költségét a feladó viseli. A vendők a szerszám megvásárlásából adódó törvényes jogai nem változnak.
6. Jelen garancia az Európai Közösségben, Svájcban, Izlandon, Norvégiában, Liechtensteinben, Törökországban és Oroszországban érvényes. E területen kívül kérdezze meg a RYOBI forgalmazót, hogy milyen garancia van érvényben.

HIVATALOS SZERVIZKÖZPONT

A legközelebbi hivatalos szervizközpont megtalálásához látogasson el a <http://hu.ryobitools.eu/header/service-and-support/service-agents>.

RO CONDIȚII DE APLICARE A GARANȚIEI PENTRU PRODUSELE RYOBI®

În plus față de condițiile statutare rezultate din achiziționarea acestui produs, acesta este acoperit de garanția stipulată mai jos.

1. Perioada de garanție este de 24 de luni pentru consumatori și începe de la data achiziționării produsului. Data de începere a garanției trebuie demonstrată cu o factură sau altă dovadă a cumpărării produsului. Produsul este destinat și conceput doar pentru utilizare în scopuri personale. Din acest motiv, nu se oferă garanție pentru utilizarea sa în scop profesional sau comercial.
2. Există posibilitatea de extindere a perioadei de garanție pentru gama de unelte electrice pentru grădini (de CA/CC) peste perioada stipulată mai sus prin înscrierea produsului pe [website-ul www.ryobitools.eu](http://website-ul.www.ryobitools.eu). Eligibilitatea pentru perioada de extindere a garanției este afișată în mod clar în magazinele de vânzare și/sau pe ambalaj sau este inclusă în documentația livrată împreună cu produsul. Utilizatorul final este obligat să-și înregistreze produsul online în termen de maxim 30 de zile de la achiziția acestuia. Utilizatorul final poate înregistra produsul pentru garanția extinsă oferită în țara sa de rezidență dacă aceasta este listată în formularul de înregistrare online și dacă această opțiune este validă. În plus, utilizatorul final trebuie să-și dea acordul pentru stocarea datelor personale solicitate la înregistrarea online și trebuie să accepte termenii și condițiile. Mesajul de confirmare a înregistrării, trimis prin e-mail și factura originală cu data achiziției vor dovedi perioada de garanție extinsă.
3. Garanția acoperă toate defecțiunile produsului survenite în perioada de garanție datorate defectelor de execuție sau materialelor folosite, începând cu data achiziției acestuia. Garanția este limitată la reparare și/sau înlocuire și nu include alte obligații, inclusiv, dar fără a se limita la daune accidentale sau rezultate pe cale de consecință. Garanția își pierde valabilitatea dacă produsul este utilizat necorespunzător, utilizat neconform cu instrucțiunile de utilizare din manualul cu instrucțiuni sau conectat incorect. Garanția nu se aplică în cazul:
 - oricărei defecțiuni survenite în urma întreținerii necorespunzătoare a produsului
 - oricărui produs alterat sau modificat
 - oricărui produs la care inscripțiile cu datele de identificare (marca comercială, numărul de serie) au fost șterse, modificate sau îndepărtate
 - oricărei defecțiuni datorate neconformării cu instrucțiunile din manualul de utilizare
 - oricărui produs necertificat CE
 - oricărui produs asupra căruia au fost efectuate tentative de reparare de către personal necalificat sau fără autorizație prealabilă din partea Techtronic Industries.
 - oricărui produs conectat la o sursă de alimentare necorespunzătoare (curent, tensiune, frecvență)
 - oricărui produs utilizat cu un amestec de carburant necorespunzător (combustibil, ulei, proporții de adaos uler)
 - oricărui defecțiuni datorate unor influențe externe (chimice, fizice, șocuri) sau substanțe străine
 - uzurii și fisurării normale a pieselor de rezervă
 - utilizării neadecvate, suprasolicitării uneltei
 - utilizării de piese și accesorii neaprobate
 - Orice operații de curățare sau reglare periodică a carburatoarelor
 - Componentele (piese și accesorii) supuse uzurii și defecțiuni normale, care includ, fără a se limita la manșoane de protecție, curele de transmisie, ambreiaj, lamele de la tăietoarele de sulfant, tuburi de aspirare sau suflare, sac de colectare resturi și banda de susținere a acestuia, bare de ghidare, lanțuri de fierăstrău, furturnuri, accesorii de conectare, duze de pulverizare, volante, baghete de pulverizare, mosoare interne, carcasa exterioară pentru mosoare, fiere tăietoare, bujii, filtre de aer, filtre de gaz, lame de tocător, etc.
4. Pentru efectuarea reparațiilor, produsul trebuie trimis sau adus la un centru de reparații autorizat RYOBI din lista următoare de centre de reparații prezentate pentru fiecare țară. În anumite țări, reprezentatul local RYOBI va trimite produsul spre reparare la sediul central de reparații RYOBI. Atunci când trimiteți produsul spre reparare la un centru de reparații RYOBI, acesta trebuie ambalat în siguranță, fără conținut periculos (cum ar fi benzină), marcat cu adresa expeditorului și însoțit de o scurtă descriere a defectului.
5. Repararea/înlocuirea în perioada de garanție este gratuită. Aceasta nu este însoțită de o prelungire sau o reințiere a perioadei de garanție. Piese sau unelte schimbate devin proprietatea dvs. În anumite țări, taxele de expediere sau poștale vor fi suportate de expeditor. Drepturile dvs. statutare rezultate din achiziția produsului rămân neschimbate.
6. Această garanție este valabilă în Comunitatea Europeană, Elveția, Islanda, Norvegia, Liechtenstein, Turcia și Rusia. În afara acestor zone, vă rugăm să contactați reprezentantul dvs. local RYOBI pentru a determina dacă se aplică alt tip de garanție.

CENTRU DE SERVICE AUTORIZAT

Pentru a găsi un centru de service autorizat lângă dvs., vizitați <http://uk.ryobitools.eu/header/service-and-support/service-agents>.



LV RYOBI® GARANTĪJAS PIEMĒROŠANAS NOSACĪJUMI

Papildus jebkādam likumiskajam tiesībām, kuras rodas, veicot pirkumu, izstrādājums tiek nodrošināts ar tālāk tekstā noteikto garantiju.

1. Garantijas periods patērētājiem ir 24 mēneši, tā atskaitē tiek sākta no datuma, kurā veikta izstrādājuma iegāde. Šim datumam jābūt dokumentētām rēķinā vai citā pirkumu apliecināošā dokumentā. Izstrādājums ir radīts un paredzēts tikai patērētāja privātai lietošanai. Saistībā ar iepriekšminēto, garantija netiek nodrošināta profesionāļai vai komerciālas lietošanas gadījumā.
2. Pastāv iespēja pagarināt daļas no dārze instrumentu klāsta (Mairstrāvas/akumulatoru) garantiju ilgāk par iepriekš minēto periodu, izmantojot reģistrāciju internetā vietnē www.ryobitools.eu. Instrumenti, kas pakļauti garantijas perioda pagarināšanai, tiek skaidri apzīmēti veikalos un/vai uz iepakojuma un izstrādājumu komplektojošajā dokumentācijā. Gala lietotājam nepieciešams reģistrē tie iegādāto jauno instrumentu 30 dienu laikā no pirkuma datuma. Gala lietotājs var reģistrēties pagarinātajai garantijai savā mītnes valstī, ja tā minēta tiešsaistes reģistrācijas veidlapā, kurā šī iespēja ir aktīva. Bez tam, gala lietotājam ir jāsniedz piekrišana tiešsaistes ievadīšanai nepieciešamo datu glabāšanai un jāpiekrīt noteikumiem un nosacījumiem. Reģistrācijas apstiprinājums, kas tiek nosūtīts, izmantojot e-pastu, un rēķina oriģināls, kurā norādīts iegādes datums, kalpo kā pagarinātās garantijas apstiprinājums.
3. Garantija attiecas uz visiem izstrādājuma defektiem garantijas periodā, kas saistīti ar ražošanas vai materiālu defektiem no pirkuma datuma. Šī garantija tiek ierobežota ar remontu un/vai nomaigu un neietver jebkādas citas saistības, tajā skaitā, bet ne tikai, cēloņsakarīgos vai saistītos bojājumus. Garantija nav spēkā, ja izstrādājums ir nepareizi lietots, izmantots pretējā norādē lietošanas rokasgrāmātā vai bijis nepareizi pieslēgts. Šī garantija netiek attiecināta uz:

- jebkādiem izstrādājuma bojājumiem, kas radušies nepareizas uzturēšanas rezultātā
- jebkuru izstrādājumu, kas ticis pārveidots vai mainīts
- jebkuru izstrādājumu, kura oriģinālais identifikācijas (preču zīme, sērijas numurs) marķējums ir ticis nodzēsts, mainīts vai noņemts
- jebkādiem bojājumiem, kuri radušies neievērojot norādes lietošanas rokasgrāmātā
- jebkādam izstrādājumam bez CE sertifikācijas
- jebkuram izstrādājumam, kura remontu mēģinājis veikt nekvalificēts personāls vai bez Technronic Industries iepriekšējas autorizācijas.
- jebkuram izstrādājumam, kurš bijis pieslēgts neatbilstošu parametru (strāvas, sprieguma, frekvences) sprieguma avotam
- jebkuram izstrādājumam, kurš bijis izmantots ar nepareizu degvielas maisījumu (degviela, eļļa, eļļas procentuālais saturs)
- jebkuriem bojājumiem, kuri radušies ārējas iedarbības (ķīmiskas, fiziskas, triecieni) vai vielu ietekmē
- detaļu normāla lietošanas nodiluma rezultātā
- nepareizas lietošanas vai instrumentu pārslozdes rezultātā
- neapstiprinātu detaļu vai aprīkojuma lietošanas rezultātā
- jebkādu periodiskus karburatoru regulēšanas darbus vai apkopes tīrīšanu
- Komponentus (daļas un aksesuārus), kas pakļauti dabīgam nodilumam, ieskaitot, bet neaprobežojoties ar atsitiena posmēm, piedziņas siksniņām, sāļģiem, krūmu šķēru un pļaujmašīnu asmeņiem, uzkabēm, droseļu trošlēm, oglekļa sukām, elektrības vadiem, tapām, filca paplākšiem, sakabes tapām, pūtēja ventilatoriem, pūtēja un sūkšanas caurulēm, savākšanas maisiem un siksniņām, vadotņu plankām, zāģu ķēdēm, šūtenēm, savienojumu uzgaļiem, izsmidzinātāja uzgaļiem, riteņiem, izsmidzinātāja caurulēm, iekšējām spolēm, ārējām spolēm, plaušanas auklām, aizdedzes svečēm, gaisa filtriem, degvielas filtriem, mulčēšanas asmeņiem, utt.

4. Servisa nodrošināšanai, izstrādājums ir jānodod pilnvarotā RYOBI servisa centrā, kas norādīts katrai valstij tālāk minētajā servisa centru adresē sarakstā. Dažās valstīs jūsu vietējais RYOBI izplatītājs uzņemas izstrādājuma nosūtīšanu uz RYOBI servisa organizāciju. Nosūtīt izstrādājumu uz RYOBI servisa centru, izstrādājuma jābūt droši iepakotam, tas nedrīkst saturēt bīstamas vielas kā degvielu, sūtiļmāmi jābūt marķētam ar sūtītāja adresi un īsu kļomes aprakstu.
5. Remonts/nomaiga šīs garantijas ietvaros ir bezmaksas. Tas nerada garantijas perioda pagarināšanu vai jaunu garantiju. Nomainītās daļas vai instrumentu kļūst par mūsu īpašumu. Dažās valstīs piegādes vai pasta izmaksas būs jāapmaksā sūtītājam. Jūsu likumiskās tiesības, kas nodrošinātas, iegādājoties instrumentu, paliek nemainīgas
6. Šī garantija ir spēkā Eiropas Kopienā, Šveicē, Islandē, Norvēģijā, Līhtenšteinā, Turcijā un Krievijā. Ārpus šīm teritorijām, lūdzu, sazinieties ar jūsu pilnvaroto RYOBI izplatītāju, lai noteiktu, vai ir piemērojama cita garantija.

AUTORIZĒTS APKALPOŠANAS CENTRS

Lai atrastu tuvāko autorizēto apkalpošanas centru, apmeklējiet <http://uk.ryobitools.eu/header/service-and-support/service-agents>.

LT „RYOBI® GARANTĪJOS TAIKYMO SĄLYGOS

Papildant bet kokias įstatymuose numatytas perkant atsirandančias teises, šiam įrenginiui taikoma toliau nurodyta garantija.

1. Vartotojams suteikiama 24 mėnesių trukmės garantija nuo įrenginio įsigijimo datos. Ši data turi būti nurodyta sąskaitoje faktūroje ar kitame pirmąjį įrodančiame dokumente. Šis įrenginys skirtas tik vartotojų rinkai ir asmeniniam naudojimui. Todėl garantija netaikoma, jei įrenginys naudojamas profesionaliems ar komerciniams reikmėms.
2. Įsigijus tam tikrus sodo įrenginius (A/C/D/C), suteikiama galimybė pratęsti garantiją, kad ji galiojūt ilgiau, nei nurodyta pirmiau, naudojantis registracija interneto svetainėje www.ryobitools.eu. Ar galima pratęsti garantiją garantijos laikotarpiu, aiškiai nurodoma parduotuvės ir (arba) ant įrenginio pakuočės, ir (arba) įrenginio dokumentuose. Galutinis naudotojas turi užregistruoti savo naujai įsigytą įrenginį per 30 dienų nuo įsigijimo datos. Galutinis naudotojas gali registruotis išplėstinei garantijai savo gyvenamojoje šalyje, jei ji nurodyta internetinėje registracijos formoje, kurioje siūloma tokia galimybė. Be to, galutinai naudotojai turi sutikti su duomenų, kuriuos reikia įvesti internetu, saugojimu ir svetainės naudojimo sąlygomis. Kaip išplėstinės garantijos įrodymas naudojamas registracijos patvirtinimo kvitas, atsiunčiamas el. paštu, ir originali sąskaita faktūra, kurioje nurodyta įsigijimo data.
3. Ši garantija apima visus garantiniu laikotarpiu aptiktus įrenginio trūkumus, atsiradusius dėl gamybos arba medžiaginių defektų nuo įsigijimo datos. Ši garantija ribojama remontu ir (arba) pakeitimu, jei neapima jokių kitų įsipareigojimų, įskaitant (bet tuo neapsiribojant) šalutinius arba antrinius nuostolius. Garantija anuliuojama, jei įrenginys buvo naudojamas netinkamai, naudojamas ne pagal naudojimo instrukciją arba netinkamai prijungtas. Ši garantija netaikoma:
 - jokiai įrenginiui padarytai žalai, kurią lėmė netinkama techninė priežiūra;
 - jokiai įrenginiui, kuris buvo keičiamas ar modifikuojamas;
 - jokiai įrenginiui, kurio originalūs identifikavimo ženklai (prekės ženklas, serijos numeris) buvo sugadinti, pakeisti arba pašalinti;
 - jokiai žalai, kurią lėmė naudojimo instrukcijos nesilaikymas;
 - jokiems CE ženklui nepažymėtiems įrenginiams;
 - jokiai įrenginiui, kurį bandė remontuoti nekvalifikuoti asmenys arba kuris buvo remontuojamas be „Technronic Industries“ leidimo;
 - jokiai įrenginiui, kuris buvo prijungtas prie netinkamo maitinimo tinklo (netinkamos srovės, įtampos, dažnio);
 - jokiai įrenginiui, kuris buvo naudojamas su netinkamu degalų mišiniu (degalai, alyva, maišymo santykis);
 - jokiai žalai, kurią lėmė išorinis poveikis (cheminis, fizinis, smūgiai) arba pašalinės medžiagos;
 - dėvimosioms dalims;
 - netinkamam naudojimui, įrenginio perkrovai;
 - nepatvirtintų priedų arba dalių naudojimui;
 - Jokiai reguliariam karburatorių regulavimui arba priežiūros ir valymo darbams
 - Komponentams (dalims ir priedams), kurie natūraliai dėviasi, įskaitant (bet tuo neapsiribojant) spyruoklines galvutes, pavarų diržus, sankabą, gyvatvorių genėtuvą ar žoliapjovius geležtes, diržus, trosinį drošelį, anglinius šepetėlius, maitinimo kabelį, virbus, retro poveržles, prikabinimo kaiščius, pūstuvo ventiliatorius, pūstuvo ir siurblio vamzdžius, siurblio maišą ir diržus, kreipiamuosius strypus, pjūklų grandines, žarnes, jungiamąsias detales, purškimo antgalius, ratus, purškimo liestukus, vidines rites, išorines rites, pjovimo vielą, uždegimo žvakės, oro filtrus, dujų filtrus, mulčiavimo geležtes ir pan.
4. Prieikis atlikti priežiūros darbus, įrenginį reikia siūsti arba atvežti RYOBI įgaliotajam priežiūros centrui, nurodytam kiekvienos šalies priežiūros centrų adresų sąrašė. Kai kuriose šalyse vietinis RYOBI atstovas siunčia įrenginį RYOBI priežiūros organizacijai. Siunčiant įrenginį RYOBI priežiūros centrui, reikia saugiai jį supakuoti pašalinant visas pavojingas medžiagas, pvz., benzina, nurodyti ant pakuočės siuntytoje adresy ir pridėti trumpą gedimo aprašymą.
5. Pagal šią garantiją remontas / keitimas atliekami nemokamai. Tokie veiksmai nelaimiomi garantijos pratęsimu arba naujo garantinio laikotarpio pradžia. Dalys arba įrenginiai, kuriuos pakeitėme, tampa mūsų nuosavybė. Kai kuriose šalyse pristatymo ir pašto išlaidas turi padengti siuntėjas. Įstatymuose numatytos jūsų teisės, atsirandančios perkant įrenginį, lieka nepažeistos
6. Ši garantija galioja Europos bendrijoje, Šveicarijoje, Islandijoje, Norvegijoje, Lichtenšteine, Turkiijoje ir Rusijoje. Jei gyvenate ne šiose šalyse, kreipkitės į įgaliotąjį RYOBI atstovą ir sužinokite, ar jums taikoma kita garantija.

ĮGALIOTAS TECHINIS PRIEŽIŪROS CENTRAS

Jei norite surasti įgaliotą techninės priežiūros centrą netoli Jūsų, apsilankykite interneto svetainėje <http://uk.ryobitools.eu/header/service-and-support/service-agents>.



ET RYOBI® GARANTITINGIMUSED

Lisaks toote ostust tulenevatele seadusjärgsetele õigustele, kehtib tootele ka alltoodud garantiiga.

1. Tarbijatele on garantiiaeg 24 kuud ja algab sellel kuupäeval, mil toode osteti. Selle kuupäeva tõestuseks on vaja arvet või mõnda teist tõendit ostu sooritamise kohta. Toode on mõeldud eratarbijatele ainult isiklikuks kasutamiseks. Seega ei kehti garantii ostu kasutamisel kusetegevuses või kaubanduslikel eesmärkidel.
2. Teatud osale (vahelduvvoolu/alisvoolu) aiatarbijatele on võimalik pikendada eespool toodud garantiiaega, kasutades toote registreerimist veebilehel www.ryobitools.eu. Teave tööriista võimaliku pikendatud garantiiaja kohta on selgelt esile toodud poodides ja/või pakendil / ning see sisaldub toote dokumentatsioonis. Lõpptarbijaja peab registreerima oma uued tööriistad interneti teel 30 päeva jooksul pärast ostupäeva. Lõppkasutaja võib registreerida pikendatud garantiiaja saamise oma elukohariigis, kui veebis olevas registreerimisvormis on see valik lubatud. Lisaks peavad kasutajad andma oma nõusoleku veebis nõutud sisetatavate andmete säilitamiseks ning nad peavad nõustuma tingimustega. E-posti teel saadetak registreerimise kinnitus ja arve originaal, kus on näha ostu sooritamise kuupäev, on pikendatud garantiiaja tõestuseks.
3. Garantii katab kõik defektid toote garantiiaja jooksul, kui ostu kuupäeval ilmuvad talitlus- või materjalivead. Garantii piirub toote remondi ja/ või väljavahetamisega ning ei sisalda müüdi kohustusi, muu hulgas ettenägematuid või kaudseid kahjusid. Garantii ei kehti, kui toodet ei ole kasutatud sihtotstarbeliselt või kooskõlas kasutusjuhendiga või see on valesti ühendatud. Garantii ei kehti järgmistel põhjustel:
 - toode on kahjustatud vale hoolduse tõttu
 - toode on muudetud
 - toote algupärased identifitseerimismärgised (kaubamärk, seerianumber) on rikutud, muudetud või eemaldatud
 - kahju on tekkinud kasutusjuhendi mittejärgimisest
 - toode puudub CE-märgis
 - toode on püüdnud remontida vastavalt kvalifikatsiooni mitte omav isik või ilma firma Techronic Industries eelneva loata.
 - toode on ühendatud valesse tööalaiklasse (voolutugevus, pinge, sagedus)
 - tootega kasutatud sobimatut kütusesegu (kütus, õli, õli protsent)
 - välimõjude (keemilised, füüsilised, elektrilöögid) või võõrkehade tekitatud kahju
 - tavapärane kulumine ja katkised varuosad
 - ebaõige kasutamine, tööriista ülekoormamine
 - heakskiitmata tarvikute või osade kasutamine
 - Karburaatorite korralised reguleerimistööd või hooldus- ja puhastustööd
 - Komponentid (osad ja tarvikud), mida iseloomustab kulumine ja vananemine, muu hulgas puutenupud, kiirhmad, sidur, hekilõikurite või muruniidukite lõiketerad, rakmed, gaasitross, süsinikharjad, toitejuhe, freesiterad, vidlist seibid, tihtid, õhuventilaatorid, puhuri- ja imuritruud, kogumiskott ja rihtad, juhikud, saeketid, voolikud, liitmikud, pihusti otsakud, rattad, pritsi varred, sisemised poolid, välimised poolid, jõhvid, süüteküünlad, õhufiltrid, gaasifiltrid, multšimisterrad jne.
4. Hoolduseks peab toote saatma või viima RYOBI volitatud teenindusse, mille aadressi leiate järgnevast teeninduspunkti nimekirjast vastava riigi alt. Mõnedes riikides võtab kohalik RYOBI edasimüüja enda kanda kohustuse saata toode RYOBI teenindusorganisatsiooni. Toote saatmisel RYOBI teenindusse peab toode olema ohutult pakitud ja ei tohi sisaldada ohtlikke aineid (nt bensiin), kirjas peab olema saatja aadress ja lisatud vea lühikirjeldus.
5. Garantii alusel tehtavad remonditööd / asendamine on tasuta. See ei pikenda garantii kehtivusaega ega tähistähta uue garantiiaja algust. Väljavahetatud osad või tööriistad kuuluvad meile. Mõnedes riikides maksab kätetoimetamis- ja postikulud saatja. Teile jäävad kehtima tööriista ostust tulenevad seadusjärgsed õigused
6. See garantii kehtib Euroopa Ühenduse territooriumil, Šveitsis, Islandil, Norras, Liechtensteinis, Türgis ja Venemaal. Väljaspool neid piirkondi võtke ühendust volitatud RYOBI edasimüüjaga, et teha kindlaks kas kehtib mõni teine garantii.

VOLITATUD HOOLDUSKESKUS

Oma volitatud hoolduskeskuse leiate veebisaidilt <http://uk.ryobitools.eu/header/service-and-support/service-agents>.

HR UVJETI PRIMJENE JAMSTVA TVRTKE RYOBI®

Osim svim zakonskim pravima koja proizlaze iz kupnje, ovaj je proizvod pokriven jamstvom kako je navedeno u nastavku.

1. Jamstveno razdoblje za potrošača traje 24 mjeseca i počinje s datumom na koji je proizvod kupljen. Taj datum mora se dokumentirati računom ili drugim dokazom o kupnji. Proizvod je konstruiran i namijenjen samo za privatnu upotrebu korisnika. Stoga se jamstvo ne daje u slučaju profesionalne ili komercijalne upotrebe.
2. Postoji mogućnost da se za dio asortimana vrtnih alata pokretanih izmjeničnom strujom (AC/DC) proizvodi gore navedeno jamstveno razdoblje putem registriranja na mrežnom mjestu www.ryobitools.eu. Uvjeti koje je potrebno zadovoljiti kako bi se produžilo jamstveno razdoblje jasno su istaknuti u prodavaonici i / ili na pakiranju / i nalaze se unutar dokumentacije proizvoda. Krajnji korisnik mora registrirati svoje novo kupljene alate na mreži u roku od 30 dana od datuma kupnje. Krajnji korisnik može se registrirati za produženo jamstvo u svojoj zemlji boravišta ako se nalazi na popisu u mrežnom obrascu za registraciju gdje je ta opcija važeća. Nadalje, krajnji korisnici moraju dati svoj pristanak na pohranu podataka koji su potrebni za mrežni ulazak i moraju prihvatiti odredbe i uvjete. Potvrda o prijemu registracije, koja se šalje putem e-pošte, kao i originalni račun s vidljivim datumom kupnje poslužiti će kao dokaz produženog jamstva.
3. Jamstvo pokriva sve nedostatke proizvoda tijekom jamstvenog razdoblja koji su nastali zbog neispravnosti prilikom izrade ili materijala s datumom kupnje. Jamstvo je ograničeno na popravak i/ili zamjenu i ne obuhvaća nikakve druge obveze, uključujući, ali ne ograničavajući se na slučajne ili posljedične štete. Jamstvo ne vrijedi ako je proizvod bio zlorabljeno, korišten u suprotnosti s priručnikom s uputama ili ako je pogrešno spojen. Ovo jamstvo ne primjenjuje se na:
 - svako oštećenje proizvoda koje je rezultat nepravilnog održavanja
 - svaki proizvod koji je izmijenjen ili modificiran
 - svaki proizvod gdje su originalne identifikacijske oznake (zaštitni znak, serijski broj) izbrisane, zamijenjene ili uklonjene
 - svako oštećenje uzrokovano neprimjerenom korištenjem priručnika
 - svaki proizvod koji nije CE
 - svaki proizvod koji je pokušao popraviti neovlašten profesionalac ili bez prethodnog odobrenja od strane Techronic Industries
 - svaki proizvod priključen na nepravilno napajanje energijom (amperi, napon, frekvencija)
 - Svaki proizvod korišten s neodgovarajućom mješavinom (gorivo, ulje, postotak ulja)
 - svako oštećenje uzrokovano vanjskim utjecajima (kemijsko, fiziko, udar) ili stranim stvarima
 - normalno trošenje i habanje rezervnih dijelova
 - nepravilno korištenje, preopterećenje alata
 - korištenje neodobrene dodatnog pribora ili dijelova
 - rasplinjača nakon 6 mjeseci, podešavanje rasplinjača nakon 6 mjeseci
 - komponente (dijelovi i dodatni pribor) koji su predmet prirodnog trošenja i habanja, uključujući no ne ograničavajući se na gumbce za otpuštanje, pogonske remene, spojku, oštrice trimera za grmlje ili kosilicu, kope, sajle gasa, ugljene četke, kabele za napajanje, noževe, podloške, ztkice za zglobnu vezu, ventilatore pihalica, cijevi za ispuhivanje i usisavanje, vakuumske vrećice i trake, vodlice, lance pile, crijeva, priključene elemente, mlaznice za raspršivanje, kotvače, kopljia za raspršivanje, unutarnje kolute, vanjske kaleme, filaksove, svjeđice, filtre za zrak, filtre za plin, oštrice za usinjavanje itd.
4. Za potrebe servisiranja, proizvod se mora poslati ili odnijeti u ovlaštenu servisnu postaju tvrtke RYOBI navedenu na sljedećem popisu s adresama servisnih postaja u svakoj zemlji. U nekim zemljama, vaš lokalni RYOBI zastupnik obvezuje se da će poslati proizvod u servisnu organizaciju tvrtke RYOBI. Kada se proizvod šalje u neku servisnu postaju tvrtke RYOBI, proizvod se mora sigurno pakirati bez ijednog od opasnih sadržaja kao što je benzin, na njemu mora pisati adresa pošiljatelja i mora biti popraćen kratkim opisom kvara.
5. Popravak / zamjena pod ovim jamstvom su besplatni. Oni ne predstavljaju produženje ili novi početak jamstvenog razdoblja. Zamijenjeni dijelovi ili alati postaju naše vlasništvo. U nekim državama troškove isporuke ili poštarinu mora platiti pošiljatelj. Vaša zakonska prava koja proizlaze iz kupnje alata ostaju nepromijenjena
6. Ovo jamstvo vrijedi u Europskoj uniji, Švicarskoj, Islandu, Norveškoj, Lihtenštajnu, Turskoj i Rusiji. Izvan tih područja vas molimo da se obratite svojem ovlaštenom zastupniku tvrtke RYOBI kako biste utvrdili primjenjuje li se drugo jamstvo.

OVLAŠTENI SERVISNI CENTAR

Za pronalaznje ovlaštenog servisnog centra pored vas posjetite <http://uk.ryobitools.eu/header/service-and-support/service-agents>.



SL POGOJI ZA VELJAVNOST GARANCIJE RYOBI®

Poleg morebitnih zakonsko določenih pravic, ki izvirajo iz nakupa, za ta izdelek velja spodaj navedena garancija.

1. Garancijsko obdobje je za potrošnike 24 mesecev in začne teči z dnem nakupa izdelka. Ta datum mora biti dokumentiran z računom ali drugim dokazilom o nakupu. Izdelek je zasnovan in namenjen izključno za potrošniško zasebno uporabo. V primeru strokovne oziroma komercialne uporabe izdelek garancija ne velja.
2. Obstaja možnost podaljšanja garancije na del naše ponudbe vrtnih orodij (AC/DC) prek obdobja garancije, opisanega zgoraj, s pomočjo registracije na spletnem mestu www.ryobitools.eu. Ustreznost orodij za podaljšanje garancijskega obdobja je jasno prikazana v trgovinah in/ali na embalaži oziroma je navedena v dokumentaciji izdelka. Končni uporabnik mora registrirati svoje novo orodje na spletu v 30 dneh po datumu nakupa. Končni uporabnik lahko registrira podaljšano garancijo v svoji državi bivanja, če je na obrazcu spletne registracije navedeno, da ta možnost velja za njegovo državo. Poleg tega morajo končni uporabniki podati svoje soglasje za shranjevanje podatkov, ki so potrebni za spletni dostop in morajo sprejeti pogoje in določila uporabe spletnega mesta. Potrdilo o registraciji, ki ga pošljemo prek e-pošte, in originalni račun, ki prikazuje datum nakupa, služita kot dokazilo o podaljšani garanciji.
3. Garancija krije vse okvare izdelka, do katerih pride v garancijskem obdobju zaradi napak v izdelavi ali materialu, ki so bile prisotne ob datumu nakupa. Garancija je omejena na popravilo in/ali zamenjavo in ne vključuje nobenih drugih obveznosti, med drugim vključeno z naključno ali posledično škodo. Garancija ne velja, če je bil izdelek napačno uporabljen, uporabljen v nasprotju z navodili iz priložnika za uporabo ali če ni bil pravilno povezan. Ta garancija ne velja za:
 - škodo na izdelku, ki je posledica neustreznega vzdrževanja
 - spremenjen ali prilagojen izdelek
 - izdelek, katerega originalna identifikacijska oznaka (blagovna znamka, serijska številka) je bil poškodovan, spremenjena ali odstranjena
 - škodo, ki je posledica neupoštevanja navodil iz priložnika za uporabo
 - izdelek, ki nima oznake CE
 - izdelek, ki ga je poskušal popraviti nekvalificiran strokovnjak ali ki je bil popravljen brez predhodne odobritve s strani družbe Techtronic Industries.
 - izdelek, ki je bil povezan na neustrezno napajanje (amperska moč, napetost, frekvenca)
 - izdelek, ki je bil uporabljen z neustrezno mešanico goriva (gorivo, olje, odstotek olja)
 - škodo, ki jo povzročijo zunanji vplivi (kemični, fizični, mehanski) ali tuje snovi
 - rezervne dele, ki so podvrženi običajni uporabi
 - neprimerno uporabo, preobremenitev orodja
 - uporabo neodobrenih dodatkov ali delov
 - Vsako redno prilagajanje ali vzdrževalno čiščenje uplinjačev
 - Komponente (sestavni in rezervni deli), ki so podvrženi običajni obrabi, med drugim vključno z gumbi odbijaca, pogonskimi jermeni, sklopko, rezili obrezovalnikov za žive meje ali kosilnic za trato, nosilnimi pasovi, kablji, dušilnimi ventili, oglikovimi krtačami, napajalnimi kablji, zobci, tesnilni iz filca, vezniimi zatiči, ventilatorji pihalnika, cevni pihalnika in sesalnika, vrečko in pasovi sesalnika, vodilnimi palicami, verigami motorne žage, cevni, priključki, razpršilnimi šobami, kolesi, razpršilnimi palicami, notranjimi kolesci, zunanjimi motki, rezalnimi vrvmici, vžigalnimi svečkami, zračnimi filtri, plinskimi filtri, rezili za mulčenje itd.
4. Za servisiranje morate izdelek poslati ali prinesiti v pooblaščen servisni center družbe RYOBI, ki je naveden za vsako državo na naslednjem seznamu naslovov servisnih centrov. V nekaterih državah se vaš lokalni posrednik družbe RYOBI obveže, da bo poslal izdelek na servis družbe RYOBI. Ko pošljate izdelek v servisni center družbe RYOBI, mora biti izdelek varno zapakiran in ne sme vsebovati nobenih nevarnih snovi, kot je npr. bencin, opremljen pa mora biti z naslovom pošiljatelja in vsebovati kratak opis napake.
5. Popravilo/zamenjava v skladu s to garancijo sta brezplačni storitvi. To pa ne predstavlja podaljšanja ali ponovnega začetka garancijskega obdobja. Zamenjani deli ali orodja postanejo naša last. V nekaterih državah stroške dostave ali poštno plača pošiljatelj. Vaše zakonsko določene pravice, ki izvirajo iz nakupa orodja, ostajajo nespremenjene.
6. Ta garancija velja v Evropski skupnosti, Švici, Islandiji, na Norveškem, v Lichtenštajnu, v Turčiji in Rusiji. Izven teh območij se obrnite na svojega pooblaščenega posrednika izdelkov RYOBI, dealer ki vam bo povedal, ali velja kakšna druga garancija.

POOBLAŠČEN SERVISNI CENTER

Pooblaščen servisni center blizu vas poiščite na <http://uk.ryobitools.eu/header/service-and-support/service-agents>.

SK ZÁRUČNÉ PODMIENKY RYOBI®

Na tento výrobok sa okrem všetkých zákonných práv, vyplývajúcich z nákupu, vzťahuje záruka v nasledovnom znení.

1. Záručná doba pre spotrebiteľa je 24 mesiacov a začína plynúť odo dňa, kedy bol výrobok zakúpený. Tento dátum musí byť doložený faktúrou alebo iným dokladom o zakúpení. Výrobok je navrhnutý a určený pre spotrebiteľov a len na súkromné používanie. Preto sa záruka sa neposkytuje v prípade použitia na profesionálne a komerčné účely.
2. V prípade záhradného náradia (na striedavý/jednosmerný prúd AC/DC), existuje možnosť predĺženia záručnej doby oproti záručnej dobe, uvedenej vyššie, s využitím on-line registrácie na webovej stránke www.ryobitools.eu. Označenie na náradí o nároku na predĺženie záručnej doby je zreteľne uvedené v obchodoch a/alebo na obale a je uvedené v dokumentácii k výrobku. Koncový používateľ musí zaregistrovať svoje novozískané náradie on-line do 30 dní odo dňa nákupu. Koncový používateľ sa môže zaregistrovať na predĺženie záruky v krajine svojho bydliska, ak je v on-line registračnom formulári uvedená táto možnosť. Ďalej musia koncoví používatelia ešte dať svoj súhlas k uchovávaniu údajov, ktoré je potrebné zadať on-line a musia súhlasiť s podmienkami. Potvrdenie o prijatí registrácie, ktorý je zaslané e-mailom a originál faktúry, v ktorej je uvedený dátum nákupu, slúžia ako dôkaz o predĺženej záruke.
3. Záruka sa vzťahuje na všetky poruchy výrobkov v záručnej dobe, spôsobené chybami materiálu alebo spracovania k dátumu nákupu. Táto záruka je obmedzená na opravu a/alebo výmenu a nezahŕňa ďalšie povinnosti, vrátane, okrem iných, náhodné alebo následné škody. Táto záruka je neplatná, ak bol výrobok nesprávne používaný, bol používaný v rozpore s návodom na použitie alebo bol nesprávne zapojený. Táto záruka sa nevzťahuje na:
 - akékoľvek poškodenie výrobku, ktoré bolo spôsobené nesprávnou obsluhou
 - akýkoľvek výrobok, ktorý bol zmenený alebo upravený
 - akýkoľvek výrobok, na ktorom bolo poškodené, upravené alebo odstránené identifikačné označenie (ochranná známka, výrobné číslo)
 - akékoľvek škody, spôsobené neodržaním návodu na obsluhu
 - akýkoľvek výrobok, ktorý neobsahuje označenie CE
 - akýkoľvek výrobok, ktorý sa pokúšal opraviť nekvalifikovaný odborník alebo bol opravovaný bez predchádzajúceho súhlasu zo strany spoločnosti Techtronic Industries.
 - akýkoľvek výrobok, pripojený k nesprávnemu napájaciemu zdroju (ampéry, napätie, frekvencia)
 - akýkoľvek výrobok, používaný s nesprávnou palivovou zmesou (palivo, olej, percento oleja)
 - akékoľvek poškodenia, spôsobené vonkajšími vplyvmi (chemickými, fyzikálnymi, nárazmi) alebo cudzorodými látkami
 - bežné opotrebovanie náhradných dielov
 - nevhodné nadvhacovanie, pretavovanie nástroja
 - používanie neschváleného príslušenstva a dielov
 - Akékoľvek pravidelné úpravy alebo čistenie karburátorov, vykonávaných vrámci údržby
 - Súčiastky (diely a príslušenstvo), ktoré podliehajú prirodzenému opotrebeniu, okrem iných, otáčkové gombíky, hnacie remene, spojka, nože na nožnice na živý plot alebo kosačku na trávu, popruhy, lanko škrtiacej klapky, uhľiky, napájaci kábel, radličky, plsténé podložky, závesné klynce, lopatky fúkačov, trubicе vysávača a fúkača, vak do vysávača a popruhy, vodiace lišty, retazovacie píly, hadice, spojovacie armatúry, trysky, kolesá, striekacie rúrky, vnútorné čievky, vonkajšie čievky, žacie lanká, zapalovacie sviečky, vzduchové filtry, benzínové filtre, mulčovacie nože atď.
4. Na opravu musí byť výrobok odoslaný alebo doručený do autorizovaného servisného strediska RYOBI, uvedeného pre každú krajinu v nasledovnom zozname adries servisných stredísk. V niektorých krajinách miestny zástupca RYOBI preberá na seba záväzok zaslať tovar do servisnej organizácie RYOBI. Pri odoslaní výrobku do servisného strediska RYOBI je potrebné výrobok bezpečne zabaliť bez akékoľvek nebezpečného obsahu, ako je bencín, s vyznačením adresy odosielateľa, s krátkym popisom poruchy.
5. Oprava/výmena je vrámci tejto záruky bezplatná. Neznamená to predĺženie záruky alebo spustenie novej záručnej doby. Vymenené diely alebo nástroje sa stávajú našim vlastníctvom. V niektorých krajinách náklady na odoslanie alebo poštovné musí zaplatiť odosielateľ. Vaše zákonné práva, vyplývajúce z nákupu náradia, zostávajú nedotknuté
6. Táto záruka platí v Európskej únii, Švajčiarsku, Islande, Nórsku, Lichtenštajnsku, Turesku a Rusku. Ak sa nachádzate mimo týchto oblastí, obráťte sa na autorizovaného predajcu RYOBI na určenie, či sa dá uplatniť iná záruka.

AUTORIZOVANÉ SERVISNÉ CENTRUM

Ak chcete nájsť najbližšie autorizované servisné centrum, navštívte stránku <http://uk.ryobitools.eu/header/service-and-support/service-agents>.



BG УСЛОВИЯ ЗА ВАЛИДНОСТ НА ГАРАНЦИЯТА НА RYOBI®

В допълнение към законоустановените права, произтичащи от покупката, този продукт е обхванат от гаранция, както е изложено по-долу.

- Гаранционният срок е 24 месеца за клиенти и започва да тече от деня на закупуване на продукта. Тази дата трябва да се докаже с фактура или друго доказателство за покупка. Продуктът е изработен и предназначен само за потребителска и лична употреба. Следователно не се дава гаранция в случай на използване от професионалисти или с търговска цел.
- Съществува възможност за удължаване на гаранционния срок за част от диапазона на гаранцията на градински инструменти (AC/DC) след изтичането на описания тук чрез регистрация на уеб сайта www.ryobitools.eu. В магазините и/или на опаковката или вътре в документацията на продукта е показано ясно дали инструментът отговаря на условията за такова удължаване на гаранционния срок. Крайният потребител трябва да регистрира своите новопридобити инструменти онлайн в рамките на 30 дни от датата на покупка. Крайният потребител може да се регистрира за удължена гаранция в държавата си на пребиваване, ако е посочена във формуляра за онлайн регистрация, като място, където тази опция е валидна. Освен това крайните потребители трябва да дадат съгласието си за съхранение на данните, които са задължителни за попълване онлайн, и трябва да приемат общите условия. Полученото потвърждение за регистрация, изпратено по електронна поща, и оригиналната фактура, показваща датата на покупка, ще служат като доказателство за удължената гаранция.
- Гаранцията покрива всички дефекти на продукта по време на гаранционния срок, които се дължат на проблеми в изработката или материалите към момента на покупката. Гаранцията е ограничена до ремонт и/или замяна и не включва други задължения, включително, но не само, случайни или косвени щети. Гаранцията е невалидна, ако продуктът е използван неправилно или в противоречие с ръководството с инструкции, както и ако е свързан неправилно. Тази гаранция не важи за:
 - щети по продукта в резултат на неправилна профилантика
 - продукти, които са били изменени или модифицирани
 - продукт, при който оригиналните маркировки за идентификация (търговска марка, серийн номер) са изтрили, променени или премахнати
 - повреда, причинена от неспазване на ръководството с инструкции
 - продукт без CE маркировка
 - продукт, за който е направен опит за ремонт от невалидиран специалист или без предварително разрешение от Techntron Industries.
 - продукт, свързан към неподходящо електрозахранване (ампераж, волтаж, честота)
 - продукт, използван с неподходяща горивна смес (гориво, масло, процент масло)
 - щети, причинени от външни влияния (химични, физични, удари) или чужди вещества
 - нормално износване на резервни част
 - неподходяща употреба, претоварване на инструмента
 - използване на неодобрени аксесоари или части
 - Всякакви периодични настройки или почистване с цел извършване на поддръжка на карбуратори
 - Компоненти (част и аксесоари), подложени на естествено износване, включително, но не само, колелца за тласкане, задвижващи ремъци, съединители, остриета на ножници за жив плет или косачки за трева, презарядки, кабелен дросел, карбонни четки, зареждащи кабел, остриета, филцови шайби, осигурителни щифтове, вентилатори на уреди за обдуване, тръби за обдуване и всмукване, торба за отпадъци и ремъци, водещи шини, вериги за триони, маркучи, фитинги на конектори, дюзи, копела, пръскалки, вътрешни и външни макари, режещо влакно, запалителни свещи, въздушни филтри, горивни филтри, остриета за мулчиране и др.
- За обслужване продуктът трябва да се изпрати или занесе на авторизиран сервиз на RYOBI, посочен за всяка държава в следния списък с адреси на сервиси. В някои държави местният търговец на RYOBI поема отговорността да изпрати продукта до сервизен център на RYOBI. При изпращане на продукт до сервиз на RYOBI той трябва да е опакован безопасно без опасност съдържане, напр. бензин, да е маркиран с адреса на подателя и придружен от кратко описание на повредата.
- Ремонтът/замяната по силата на тази гаранция са безплатни. Те не водят до удължаване или подновяване на гаранционния срок. Сменените части или инструменти стават наша собственост. В някои държави таксите за доставка или изпращане трябва да се платят от подателя. Законоустановените ви права, произтичащи от закупуването на инструмента, остават незаеснати
- Тази гаранция е валидна в Европейската общност, Швейцария, Исландия, Норвегия, Лихтенщайн, Турция и Русия. Извън тези области се свържете с упълномощения търговец на RYOBI, за да се установи дали е приложима друга гаранция.

УПЪЛНОМОЩЕН СЕРВИЗЕН ЦЕНТЪР

За да намерите упълномощен сервизен център близо до вас, посетете <http://uk.ryobitools.eu/header/service-and-support/service-agents>.

UK ГАРАНТИЙНИ УМОВИ ДЛЯ RYOBI®

Окрім загалом установлених законом прав, що стосуються покупки, цей пристрій покривається гарантією, що зазначено нижче.

- Гарантійний період для споживачів складає 24 місяці і починається з моменту придбання цього пристрою. Ця дата повинна бути задокументована у гарантійному талоні або чеку, що відправляє покупку. Цей пристрій був розроблений і призначений тільки для споживачого та приватного використання. У разі професійного або комерційного використання цього пристрою, він втрачає гарантію.
- Існує можливість продовжити гарантійний період, понад період описаний вище, для частини лінійки садових інструментів (перемінного/ постійного струму) за допомогою реєстрації на сайті www.ryobitools.eu. Пристрої, які мають право на продовження гарантійного періоду, мають чіткі позначки щодо цього в магазинах і / або на опаковці / та документації до пристрою. Кінцевий користувач повинен зареєструвати його/її новопридбаний пристрій онлайн протягом 30 днів з дати покупки. Кінцевий користувач може зареєструватися для продовження гарантійного періоду в своїй країні постійного перебування, якщо вона є доступною у відповідній опції онлайн форми реєстрації. Крім того, кінцевий користувач повинен дати свою згоду на зберігання даних, які необхідні для введення онлайн, а також вони повинні прийняти правила та умови. Отримання підтвердження реєстрації, яке відправляється на адресу електронної пошти, та оригінал гарантійного талона із зазначеною датою покупки буде слугувати доказом подовженої гарантії.
- Гарантія поширюється на всі дефекти пристрою протягом гарантійного терміну щодо недотримання стандартів виробництва або матеріалів на дату придбання. Гарантія обмежується ремонтом та/або заміною, та не включає в себе будь-яких інших зобов'язань, в тому числі, але не обмежена у разі випадкових та подальших пошкоджень. Гарантія не діє, якщо пристрій використовувався неналежним чином, в супереч інструкції з експлуатації або був неправильно підключений до мережі. Дана гарантія не поширюється на:
 - пристрої, що були пошкоджені у результаті неправильного технічного обслуговування;
 - пристрої, що були видозмінені або модифіковані;
 - пристрої, оригінальне ідентифікаційне (товарний знак, серийний номер) маркування яких було пошкоджене, змінене або видалено;
 - будь-які пошкодження, заподіяні недотриманням інструкції з експлуатації;
 - пристрої, що не мають маркування CE;
 - пристрої, що були видімонтовані невалідікованим фахівцем або за відсутності попереднього дозволу від Techntron Industries;
 - пристрої, підключені до невідповідного джерела живлення (сила току, напруження, частота);
 - пристрої, що використовувалися із невідповідною паливною сумішшю (паливом, оливою, відсотковою часткою оливи);
 - будь-які пошкодження спричинені зовнішнім впливом (хімічним, фізичним, стрибком напруги) або сторонніми речовинами;
 - нормальну амортизацію запасних частин;
 - невідповідне використання, перевантаження пристрою;
 - використання невідтверджених запасних частин або аксесуарів;
 - Будь-які періодичні коригування або технічне очищення карбураторів
- Компоненти (частини та аксесоари) з урахуванням нормального зношування, враховуючи але без обмеження на імпульсні кнопки, ремінь приводу, зчеплення, леза कुщороза або газонокосарки, ремінь, троси дросельного клапану, вугільні штифти, шнури живлення, зубці, фетрові підкладки, змічні штири, вентилятори повітрядувки, трубки пилососа та повітрядувки, вакуумні мішки та накладки, напрямні, ланцюжки, гнучі штири, з'єднувальні фітинги, розпильовальні насадки, копеса, жорсткі сопла, внутрішні котушки, зовнішні золотники, ріжучу волосінку, свічки запалення, повітряні фільтри, протигазові фільтри, мультисувальні леза, т.д.
- Для обслуговування, пристрій має бути відправлений або поданий до одного з авторизованих сервісних центрів RYOBI, які перелічені для кожної країни у наступному переліку адрес сервісних центрів. У деяких країнах місцевий дилер RYOBI зобов'язується відправити пристрій до сервісного центру RYOBI. При відправленні пристрою до сервісного центру RYOBI, пристрій має бути надано укомплектований будь-якого небезпечного вмісту, наприклад бензину, з позначеною адресою відправника та супроводжується коротким описом несправності.
- Ремонт / заміна відповідно до цієї гарантії здійснюється безкоштовно. Це не є основою для продовження або початку нового гарантійного періоду. Замінені частини або прилади переходять до власності компанії. У деяких країнах вартість доставки або поштові витрати повинні бути сплачені відправником. Загально встановлені права покупця на пристрій залишаються незмінними
- Ця гарантія діє в Європейському Союзі, Швейцарії, Ісландії, Норвегії, Лихтенштейні, Туреччині та Росії. За межами цих зон, будь ласка, зверніться до офіційного дилера RYOBI, щоб визначити, чи застосовується інша гарантія.

АВТОРИЗОВАНІ СЕРВІСНІ ЦЕНТРИ

Для отримання оновленого переліка авторизованих сервісних центрів, відвідайте <http://uk.ryobitools.eu/header/service-and-support/service-agents>.

TR RYOBI® GARANTİ UYGULAMA KOŞULLARI

Alımdan kaynaklanan yasal haklara ek olarak, ürün aşağıda belirtilen garanti kapsamındadır.

1. Tüketiciler için 24 ay olan garanti süresi, ürünün satın alındığı tarihte başlar. Bu tarihin bir fatura ya da alım kantıyla belgelenmesi gerekir. Ürün sadece tüketim ve özel kullanım için geliştirilmiş ve adanmıştır. Bu nedenle, profesyonel ya da ticari kullanım halinde garanti kapsamı sağlanmaz.
2. Bahçe aletlerinin bir bölümü (AC/DC) için www.ryobitools.eu sayfasındaki kayıt işlemini kullanarak garantinin belirtilen sürenin ötesine uzatma imkanı mevcuttur. Aletlerin garanti süresinin uzatılmasına uygun olup olmadığı mağazalarda ve / veya ambalajda açıkça belirtilmiş olup, ürün dokümantasyonunda gösterilir. Son kullanıcının yeni aldığı aletleri satın alma tarihini izleyen 30 gün içinde kaydetmesi gerekir. Son kullanıcı ikamet ettiği ülkede, bu seçeneğin geçerli olduğu çevrimiçi kayıt formunda belirtilmişse, uzatılmış garanti süresi için kayıt yapılabilir. Dahası, son kullanıcıların çevrimiçi giriş için gerekli verilerin kaydedilmesine izin vermeli ve hüküm ve koşulları kabul etmelidir. E-posta ile gönderilen kayıt teyit maktubu ve alım tarihini gösteren orijinal fatura uzatılmış garantinin kanıtı olarak değerlendirilir.
3. Garanti, ürünün alım tarihindeki işçilik ve malzeme kusurları nedeniyle garanti süresi içinde oluşacak bütün arızalarını kapsar. Bu garanti onarım ve değiştirmeyle sınırlı olup, tesadüfi ya da dolaylı hasarlar da dahil, ancak bunlarla kısıtlı olmayan başka hiçbir taahhüdü kapsamaz. Garanti, ürünün kötü, kullanıcının kılavuzuna aykırı kullanılmış ya da yanlış bağlanmış olması halinde geçerli değildir. Bu garanti aşağıdakileri kapsamaz:
 - üründe, yanlış bakımdan kaynaklanan herhangi bir hasar
 - değiştirilmiş ya da modifiye edilmiş herhangi bir ürün
 - orijinal tanıtmış işaretleri (ticari marka, seri numarası) silinmiş, değiştirilmiş ya da kaldırılmış herhangi bir ürün
 - kullanma kılavuzuna uymamaktan kaynaklanmış herhangi bir hasar
 - herhangi bir AT dışı ürün
 - kalifiye olmayan personel tarafından ya da önceden Techtronic Industries onayı alınmadan onarılmış herhangi bir ürün.
 - uygunsuz güç kaynağına (amper, voltaj, frekans) bağlanmış herhangi bir ürün
 - uygunsuz bir yakıt karışımıyla (yakıt, yağ, yap yüzdesi) kullanılmış herhangi bir ürün
 - harici etkenlerden (kimyasal, fiziksel, darbe) veya yabancı cisimlerden kaynaklanan her türlü hasar
 - normal aşınır ve yıpranır aksam
 - uygunsuz kullanım, aletin aşırı yüklenmesi
 - onaysız aksesuar veya parça kullanımı
 - Karbüratörlere uygulanacak her türlü periyodik ayar, bakım veya temizlik
 - Darbe Döğmeleri, Tahrir Kayışları, Kavrama, Çit Budama ya da Çim Biçme Makinelerinin Bıçakları, Kayış Koşumlar, Kablo Gaz, Kömür Fırçalar, Güç Kablo, Dişler, Keçe Rondelalar, Bağlantı Pimleri, Üfleyci Pervaneleri, Üfleyci ve Vakum Boruları, Vakum Torbası ve Kayışları, Kılavuz Çubuklar, Zincir Testere, Hortumlar, Konektör bağlantıları, Püskürtme Memeleri, Çarklar, Püskürtme Çubukları, Dahili Makaralar, Harici Makaralar, Kesme Telleri, Bujiler, Hava Filtreleri, Gaz Filtreleri, Malçlama Bıçakları vb. gibi parçaları kapsayan, ancak bunlarla sınırlı olmayan, aşınma ve yıpranmaya tabi bileşenler (aksam ve aksesuarlar).
4. Ürünün servis için her ülkede aşağıdaki servis istasyonları adres listesinde yer alan yetkili bir RYOBI servis istasyonuna gönderilmesi ya götürülmesi gereklidir. Bazı ülkelerde, yerel RYOBI distribütörünüz ürünü RYOBI servis teşkilatına göndermeyi üstlenir. Bir ürün bir RYOBI servis istasyonuna gönderilirken, ürünün güvenli bir biçimde ambalajlanması, benzin gibi tehlikeli maddeler içermemesi, gönderenin adresini taşıması ve arızanın kısa bir açıklamasını içermesi gerekir.
5. Bu garanti kapsamında yapılacak onarım / değişiklik ücretsizdir. Garanti süresinin uzatılması ya da yeniden başlatılması anlamına gelmez. Değiştirilmiş parçalar veya aletler bize ait olur. Bazı ülkelerde teslimat ücretleri veya posta giderlerinin gönderici tarafından ödenmesi gerekir. Alımdan kaynaklanan yasal haklarınız etkilenmez.
6. Bu Garanti Avrupa Topluluğu, İsviçre, İzlanda, Norveç, Liechtenstein, Türkiye ve Rusya'da geçerlidir. Bu alanların dışında, başka bir garantinin geçerli olup olmadığını belirlemek için lütfen yetkili RYOBI distribütörünüzle irtibata geçin.

YETKİLİ SERVİS MERKEZİ

En yakın yetkili servis merkezini öğrenmek için <http://uk.ryobitools.eu/header/service-and-support/service-agents> sitesine girin.

EN DECLARATION OF CONFORMITY

Techtronic Industries GmbH
Max-Eyth-Straße 10, 71364 Winnenden, Germany

Herewith we declare that the product

Electric Scarifier
Brand: RYOBI
Model number: RY1400SF35A/ RY1400SF35B
Serial number range:
RY1400SF35A: 45721001000001 - 45721001999999
RY1400SF35B: 45721601000001 - 45721601999999

is in conformity with the following European Directives and harmonised standards
2006/42/EC, 2014/30/EU, 2011/65/EU, 2000/14/EC, 2005/88/EC,
EN 60335-1:2010+A11:2014+A13:2017, EN 50636-2-92:2014,
EN 55014-1:2017, EN 55014-2:2015, EN IEC 63000:2018,
EN 61000-3-2:2014, EN 61000-3-3:2013

Measured sound power level: 98.3 dB(A)
Guaranteed sound power level: 100 dB(A)

Conformity assessment method to Annex VI Directive 2000/14/EC amended by 2005/88/EC.

Todd Chipner
Sr. Director, CPT Quality and Asia Regulatory & Safety
Winnenden, December 31, 2019

Authorised to compile the technical file:
Alexander Krug, Managing Director
Techtronic Industries GmbH
Max-Eyth-Straße 10, 71364 Winnenden, Germany



DE KONFORMITÄTSERKLÄRUNG

Techtronic Industries GmbH
Max-Eyth-Straße 10, 71364 Winnenden, Germany

Hiermit erklären wir, dass die Produkte

Elektro-Ventilrierer
Marke: RYOBI
Modellnummer: RY1400SF35A/ RY1400SF35B
Seriennummernbereich:
RY1400SF35A: 45721001000001 - 45721001999999
RY1400SF35B: 45721601000001 - 45721601999999

mit den folgenden europäischen Richtlinien und harmonisierten Normen übereinstimmt

2006/42/EC, 2014/30/EU, 2011/65/EU, 2000/14/EC, 2005/88/EC,
EN 60335-1:2010+A11:2014+A13:2017, EN 50636-2-92:2014,
EN 55014-1:2017, EN 55014-2:2015, EN IEC 63000:2018,
EN 61000-3-2:2014, EN 61000-3-3:2013

Gemessener Schalleistungspegel: 98,3 dB(A)
Garantierter Schalleistungspegel: 100 dB(A)

Konformitätsbeurteilungsmethode zu Anhang VI Richtlinie 2000/14/EC wie durch 2005/88/EC.

Todd Chipner
Sr. Director, Qualität CPT und Regulierung und Sicherheit in Asien
Winnenden, December 31, 2019

Autorisiert die technische Datei zu erstellen:
Alexander Krug, Geschäftsführer
Techtronic Industries GmbH
Max-Eyth-Straße 10, 71364 Winnenden, Germany



FR DÉCLARATION DE CONFORMITÉ

Techtronic Industries GmbH
Max-Eyth-Straße 10, 71364 Winnenden, Germany

Déclarons par la présente que le produit

Scarificateur électrique
Marque: RYOBI
Numéro de modèle: RY1400SF35A/ RY1400SF35B
Étendue des numéros de série:
RY1400SF35A: 45721001000001 - 45721001999999
RY1400SF35B: 45721601000001 - 45721601999999

est conforme aux Directives Européennes et Normes Harmonisées suivantes
2006/42/EC, 2014/30/EU, 2011/65/EU, 2000/14/EC, 2005/88/EC, EN
2006/42/EC, 2014/30/EU, 2011/65/EU, 2000/14/EC, 2005/88/EC,
EN 60335-1:2010+A11:2014+A13:2017, EN 50636-2-92:2014,
EN 55014-1:2017, EN 55014-2:2015, EN IEC 63000:2018,
EN 61000-3-2:2014, EN 61000-3-3:2013

Niveau de puissance sonore mesuré: 98,3 dB(A)
Niveau de puissance sonore garanti: 100 dB(A)

Méthode d'évaluation de conformité de l'annexe VI Directive 2000/14/EC modifiée 2005/88/EC.

Todd Chipner
Directeur principal, Qualité CPT et Réglementation/Sécurité pour la région Asie
Winnenden, December 31, 2019

Autorisé à rédiger le dossier technique:
Alexander Krug, Directeur Général
Techtronic Industries GmbH
Max-Eyth-Straße 10, 71364 Winnenden, Germany



ES DECLARACIÓN DE CONFORMIDAD

Techtronic Industries GmbH
Max-Eyth-Straße 10, 71364 Winnenden, Germany

Por la presente declaramos que los productos

Escarificador eléctrico
Marca: RYOBI
Número de modelo: RY1400SF35A/ RY1400SF35B
Intervalo del número de serie:
RY1400SF35A: 45721001000001 - 45721001999999
RY1400SF35B: 45721601000001 - 45721601999999

se encuentra en conformidad con las siguientes Directivas Europeas y normas armonizadas

2006/42/EC, 2014/30/EU, 2011/65/EU, 2000/14/EC, 2005/88/EC,
EN 60335-1:2010+A11:2014+A13:2017, EN 50636-2-92:2014,
EN 55014-1:2017, EN 55014-2:2015, EN IEC 63000:2018,
EN 61000-3-2:2014, EN 61000-3-3:2013

Nivel de potencia acústica medido: 98,3 dB(A)
Nivel de potencia acústica garantizado: 100 dB(A)

Método de evaluación de conformidad con el anexo VI Directiva 2000/14/EC modificada por la 2005/88/EC.

Todd Chipner
Director principal, Calidad CPT y Normas y Seguridad para Asia
Winnenden, December 31, 2019

Autorizado para elaborar la ficha técnica:
Alexander Krug, Administrador Ejecutivo
Techtronic Industries GmbH
Max-Eyth-Straße 10, 71364 Winnenden, Germany



IT DICHIARAZIONE DI CONFORMITÀ

Techtronic Industries GmbH
Max-Eyth-Straße 10, 71364 Winnenden, Germany

Si dichiara con la presente che il prodotto

Scarificatore elettrico
Marca: RYOBI
Numero modello: RY1400SF35A/ RY1400SF35B
Gamma numero serie:
RY1400SF35A: 45721001000001 - 45721001999999
RY1400SF35B: 45721601000001 - 45721601999999

è conforme alle seguenti Direttive Europee e ai seguenti standard armonizzati
2006/42/EC, 2014/30/EU, 2011/65/EU, 2000/14/EC, 2005/88/EC,
EN 60335-1:2010+A11:2014+A13:2017, EN 50636-2-92:2014,
EN 55014-1:2017, EN 55014-2:2015, EN IEC 63000:2018,
EN 61000-3-2:2014, EN 61000-3-3:2013

Livello di potenza acustica misurato: 98,3 dB(A)
Livello di potenza sonora garantita: 100 dB(A)

Metodo di valutazione sulla conformità all'allegato VI Direttiva 2000/14/EC
modificata con la 2005/88/EC.

Todd Chipner
Sig. Direttore, qualità CPT e sicurezza e normativa per l'Asia
Winnenden, December 31, 2019

Autorizzato per compilare il file tecnico:
Alexander Krug, Direttore Amministrativo
Techtronic Industries GmbH
Max-Eyth-Straße 10, 71364 Winnenden, Germany

CE

PT DECLARAÇÃO DE CONFORMIDADE

Techtronic Industries GmbH
Max-Eyth-Straße 10, 71364 Winnenden, Germany

Pelo presente declaramos que os produtos

Escarificador elétrico
Marca: RYOBI
Número do modelo: RY1400SF35A/ RY1400SF35B
Intervalo do número de série:
RY1400SF35A: 45721001000001 - 45721001999999
RY1400SF35B: 45721601000001 - 45721601999999

se encontra em conformidade com as seguintes Diretivas Europeias e normas
harmozizadas

2006/42/EC, 2014/30/EU, 2011/65/EU, 2000/14/EC, 2005/88/EC,
EN 60335-1:2010+A11:2014+A13:2017, EN 50636-2-92:2014,
EN 55014-1:2017, EN 55014-2:2015, EN IEC 63000:2018,
EN 61000-3-2:2014, EN 61000-3-3:2013

Nível de potência sonora medido: 98,3 dB(A)
Nível de potência sonora garantido: 100 dB(A)

Método de avaliação de conformidade para o anexo VI Diretiva 2000/14/EC
alterada por 2005/88/EC.

Todd Chipner
Diretor Sênior, Qualidade CPT e Assuntos Regulamentares e de Segurança da Ásia
Winnenden, December 31, 2019

Autorizado para compilar o ficheiro técnico:
Alexander Krug, Administrador Executivo
Techtronic Industries GmbH
Max-Eyth-Straße 10, 71364 Winnenden, Germany

CE

NL CONFORMITEITSVERKLARING

Techtronic Industries GmbH
Max-Eyth-Straße 10, 71364 Winnenden, Germany

Hierbij verklaren wij dat het product

Elektrische vericuteerder
Merk: RYOBI
Modelnummer: RY1400SF35A/ RY1400SF35B
Serienummerbereik:
RY1400SF35A: 45721001000001 - 45721001999999
RY1400SF35B: 45721601000001 - 45721601999999

is in overeenstemming met de volgende Europese Richtlijnen en geharmoniseerde
normen

2006/42/EC, 2014/30/EU, 2011/65/EU, 2000/14/EC, 2005/88/EC,
EN 60335-1:2010+A11:2014+A13:2017, EN 50636-2-92:2014,
EN 55014-1:2017, EN 55014-2:2015, EN IEC 63000:2018,
EN 61000-3-2:2014, EN 61000-3-3:2013

Gemeten geluidsniveau: 98,3 dB(A)
Gegarandeerd geluidsniveau: 100 dB(A)

Evaluatiemethode conformiteit volgens bijlage VI Richtlijn 2000/14/EC gewijzigd
door 2005/88/EC.

Todd Chipner
Sr. Directeur, CPT Kwaliteit en Azië Regelgeving en veiligheid
Winnenden, December 31, 2019

Afgevaardigde voor het samenstellen van de technische fiche:
Alexander Krug, Directeur
Techtronic Industries GmbH
Max-Eyth-Straße 10, 71364 Winnenden, Germany

CE

DA OVERENSSTEMMELSESRKLÆRING

Techtronic Industries GmbH
Max-Eyth-Straße 10, 71364 Winnenden, Germany

Vi erklærer hermed, at produktet

Elektrisk rybnøfluter
Brand: RYOBI
Modelnummer: RY1400SF35A/ RY1400SF35B
Serienummerområde:
RY1400SF35A: 45721001000001 - 45721001999999
RY1400SF35B: 45721601000001 - 45721601999999

er i overensstemmelse med følgende EU-direktiver og harmoniserede standarder

2006/42/EC, 2014/30/EU, 2011/65/EU, 2000/14/EC, 2005/88/EC,
EN 60335-1:2010+A11:2014+A13:2017, EN 50636-2-92:2014,
EN 55014-1:2017, EN 55014-2:2015, EN IEC 63000:2018,
EN 61000-3-2:2014, EN 61000-3-3:2013

Målt støjniveau: 98,3 dB(A)
Garanteret støjniveau: 100 dB(A)

Overensstemmelsesvurderingsmetode til bilag VI Direktiv 2000/14/EC ændret ved
2005/88/EC.

Den relevante godkendelsesinstans:

Todd Chipner
Hr. Direktør, CPT Quality and Asia Regulatory & Safety
Winnenden, December 31, 2019

Bemyndiget til at udarbejde det tekniske kartotek:
Alexander Krug, Administrerende Direktør
Techtronic Industries GmbH
Max-Eyth-Straße 10, 71364 Winnenden, Germany

CE

SV KONFORMITETSDEKLARATION

Techtronic Industries GmbH
Max-Eyth-Straße 10, 71364 Winnenden, Germany

Härmed deklarerar vi att produkterna

Elektrisk hackare
Märke: RYOBI
Modellnummer: RY1400SF35A/ RY1400SF35B
Serienummerintervall:
RY1400SF35A: 45721001000001 - 45721001999999
RY1400SF35B: 45721601000001 - 45721601999999

är i enlighet med följande EU-direktiv och harmoniserade standarder
2006/42/EC, 2014/30/EU, 2011/65/EU, 2000/14/EC, 2005/88/EC,
EN 60335-1:2010+A11:2014+A13:2017, EN 50636-2-92:2014,
EN 55014-1:2017, EN 55014-2:2015, EN IEC 63000:2018,
EN 61000-3-2:2014, EN 61000-3-3:2013

Uppmätt ljudeffektnivå: 98,3 dB(A)
Garanterad ljudeffektnivå: 100 dB(A)

Konformitetsbedömning gjord enligt metod i VI Direktiv 2000/14/EC samt tilläggen i 2005/88/EC.

CE

Todd Chipner
Teknisk chef, CPT-kvalitet samt regelverk och säkerhet för Asien
Winnenden, December 31, 2019

Godkänd att sammanställa den tekniska filen:
Alexander Krug, VD
Techtronic Industries GmbH
Max-Eyth-Straße 10, 71364 Winnenden, Germany

NO SAMSVARSERKLÆRING

Techtronic Industries GmbH
Max-Eyth-Straße 10, 71364 Winnenden, Germany

Herved erklærer vi at produktet

Elektrisk harve
Märke: RYOBI
Modellnummer: RY1400SF35A/ RY1400SF35B
Serienummerserie:
RY1400SF35A: 45721001000001 - 45721001999999
RY1400SF35B: 45721601000001 - 45721601999999

er i samsvar med følgende europeiske direktiver og harmoniserte standarder
2006/42/EC, 2014/30/EU, 2011/65/EU, 2000/14/EC, 2005/88/EC, EN
2006/42/EC, 2014/30/EU, 2011/65/EU, 2000/14/EC, 2005/88/EC,
EN 60335-1:2010+A11:2014+A13:2017, EN 50636-2-92:2014,
EN 55014-1:2017, EN 55014-2:2015, EN IEC 63000:2018,
EN 61000-3-2:2014, EN 61000-3-3:2013

Målt lydteffektnivå: 98,3 dB(A)
Garantert lydteffektnivå: 100 dB(A)

Metode for vurdering av konformitet til Tillegg VI Direktiv 2000/14/EC endret ved 2005/88/EC.

CE

Todd Chipner
Sr. direktør, CPT kvalitet, samt juridisk og sikkerhet for Asia
Winnenden, December 31, 2019

Autorisert til å sette sammen den tekniske filen:
Alexander Krug, Administrerende Direktør
Techtronic Industries GmbH
Max-Eyth-Straße 10, 71364 Winnenden, Germany

FI SÄÄNNÖSTEN NOUDATTAMINEN

Techtronic Industries GmbH
Max-Eyth-Straße 10, 71364 Winnenden, Germany

Ilmoitamme täten, että tuotteet

Sähkökäyttöinen nurmikonevelytin
Tuotemerkki: RYOBI
Mallinumero: RY1400SF35A/ RY1400SF35B
Sarjanumeralue:
RY1400SF35A: 45721001000001 - 45721001999999
RY1400SF35B: 45721601000001 - 45721601999999

noudattaa seuraavia EU-direktiivejä ja harmonoituja standardeja
2006/42/EC, 2014/30/EU, 2011/65/EU, 2000/14/EC, 2005/88/EC,
EN 60335-1:2010+A11:2014+A13:2017, EN 50636-2-92:2014,
EN 55014-1:2017, EN 55014-2:2015, EN IEC 63000:2018,
EN 61000-3-2:2014, EN 61000-3-3:2013

Mitattu äänenteho: 98,3 dB(A)
Taattu ääniteho: 100 dB(A)

Säännösten noudattaminen tarkastettu direktiivin 2000/14/EC liitteen VI mukaisesti muunnettu direktiivillä 2005/88/EC.

CE

Todd Chipner
Vanhempi, CPT-toimitusten laadusta ja Aasian alueen sääntelystä ja turvallisuudesta
vastaava johtaja
Winnenden, December 31, 2019

Valtuutettu kokoamaan tekninen tiedosto:
Alexander Krug, Toimitusjohtaja
Techtronic Industries GmbH
Max-Eyth-Straße 10, 71364 Winnenden, Germany

RU ЗАЯВЛЕНИЕ О СООТВЕТСТВИИ ТРЕБОВАНИЯМ

Techtronic Industries GmbH
Max-Eyth-Straße 10, 71364 Winnenden, Germany

Настоящим мы заявляем, что данный продукт

Электрический скарификатор
Марка: RYOBI
Номер модели: RY1400SF35A/ RY1400SF35B
Диапазон заводских номеров:
RY1400SF35A: 45721001000001 - 45721001999999
RY1400SF35B: 45721601000001 - 45721601999999

соответствует требованиям следующих Директив ЕС и согласованных стандартов
2006/42/EC, 2014/30/EU, 2011/65/EU, 2000/14/EC, 2005/88/EC,
EN 60335-1:2010+A11:2014+A13:2017, EN 50636-2-92:2014,
EN 55014-1:2017, EN 55014-2:2015, EN IEC 63000:2018,
EN 61000-3-2:2014, EN 61000-3-3:2013

Измеренный уровень звуковой мощности: 98,3 dB(A)
Гарантируемый уровень звуковой мощности: 100 dB(A)

Способ оценки соответствия, приложение VI к директиве 2000/14/EC с изменениями 2005/88/EC.

CE

Todd Chipner
Г-н Директор по контролю качества продукции CPT, нормативов и безопасности
в Азиатском регионе
Winnenden, December 31, 2019

Лицо, ответственное за подготовку технической документации:
Alexander Krug, Директор
Techtronic Industries GmbH
Max-Eyth-Straße 10, 71364 Winnenden, Germany

PL DEKLARACJA ZGODNOŚCI

Techtronic Industries GmbH
Max-Eyth-Straße 10, 71364 Winnenden, Germany

Niniejszym deklarujemy, że produkt

Wertykulator elektryczny
Marka: RYOBI
Numer modelu: RY1400SF35A/ RY1400SF35B
Zakres numerów seryjnych:
RY1400SF35A: 45721001000001 - 45721001999999
RY1400SF35B: 45721601000001 - 45721601999999

jest zgodny z następującymi dyrektywami europejskimi i zharmonizowanymi normami

2006/42/EC, 2014/30/EU, 2011/65/EU, 2000/14/EC, 2005/88/EC,
EN 60335-1:2010+A11:2014+A13:2017, EN 50636-2-92:2014,
EN 55014-1:2017, EN 55014-2:2015, EN IEC 63000:2018,
EN 61000-3-2:2014, EN 61000-3-3:2013

Zmierzony poziom natężenia hałasu: 98,3 dB(A)
Maksymalny poziom natężenia hałasu: 100 dB(A)

Metoda ocena zgodności zgodnie z aneksem VI Dyrektywa 2000/14/EC zmieniona przez dyrektywę 2005/88/EC.

Todd Chipner
Starszy dyrektor ds. jakości elektronarzędzi konsumenckich oraz przepisów i bezpieczeństwa na Azje
Winnenden, December 31, 2019

Osoba upoważniona do sporządzenia dokumentu technicznego:
Alexander Krug, Dyrektor Zarządzający
Techtronic Industries GmbH
Max-Eyth-Straße 10, 71364 Winnenden, Germany

HU MEGFELELŐSÉGI NYILATKOZÁS

Techtronic Industries GmbH
Max-Eyth-Straße 10, 71364 Winnenden, Germany

Ezúton kijelentjük, hogy a termék

Elektromos talajlazító
Márka: RYOBI
Típusszám: RY1400SF35A/ RY1400SF35B
Sorozatszám tartomány:
RY1400SF35A: 45721001000001 - 45721001999999
RY1400SF35B: 45721601000001 - 45721601999999

megfelel az alábbi Európai Irányelvek és harmonizált szabványok vonatkozó rendelkezéseinek

2006/42/EC, 2014/30/EU, 2011/65/EU, 2000/14/EC, 2005/88/EC,
EN 60335-1:2010+A11:2014+A13:2017, EN 50636-2-92:2014,
EN 55014-1:2017, EN 55014-2:2015, EN IEC 63000:2018,
EN 61000-3-2:2014, EN 61000-3-3:2013

Mért hangteljesítményszint: 98,3 dB(A)
Garantált hangteljesítményszint: 100 dB(A)

A megfelelőségi értékelési eljárás a 2000/14/EC irányelv VI. függeléké szerint történt által módosított 2005/88/EC irányelv.

Todd Chipner
Senior igazgató, CPT minőség, ázsiai szabályozás és biztonság
Winnenden, December 31, 2019

A műszaki dokumentáció összeállítására felhatalmazott:
Alexander Krug, Ügyvezető Igazgató
Techtronic Industries GmbH
Max-Eyth-Straße 10, 71364 Winnenden, Germany

CS PROHLÁŠENÍ O SHODĚ

Techtronic Industries GmbH
Max-Eyth-Straße 10, 71364 Winnenden, Germany

Tímto prohlašujeme, že výrobky

Elektrický rozrýváč
Značka: RYOBI
Číslo modelu: RY1400SF35A/ RY1400SF35B
Rozsah sériových čísel:
RY1400SF35A: 45721001000001 - 45721001999999
RY1400SF35B: 45721601000001 - 45721601999999

že tento výrobek je v souladu s evropskými a harmonizovanými standardy

2006/42/EC, 2014/30/EU, 2011/65/EU, 2000/14/EC, 2005/88/EC,
EN 60335-1:2010+A11:2014+A13:2017, EN 50636-2-92:2014,
EN 55014-1:2017, EN 55014-2:2015, EN IEC 63000:2018,
EN 61000-3-2:2014, EN 61000-3-3:2013

Změřená hladina akustického výkonu: 98,3 dB(A)
Zaručená hladina akustického výkonu: 100 dB(A)

Soulad s metodou určování pro přílohu VI směrnice 2000/14/EC upravená 2005/88/EC.

Todd Chipner
Vrchní ředitel, jakost elektrického nářadí (CPT) a předpisy a bezpečnost pro Asii
Winnenden, December 31, 2019

Pověření ke kompilaci technického souboru:
Alexander Krug, Generální ředitel
Techtronic Industries GmbH
Max-Eyth-Straße 10, 71364 Winnenden, Germany

RO DECLARAȚIE DE CONFORMITATE

Techtronic Industries GmbH
Max-Eyth-Straße 10, 71364 Winnenden, Germany

Prin prezenta, declarăm că produsele

Sapă de mică adâncime electrică
Marcă: RYOBI
Număr serie: RY1400SF35A/ RY1400SF35B
Gamă număr serie:
RY1400SF35A: 45721001000001 - 45721001999999
RY1400SF35B: 45721601000001 - 45721601999999

este în conformitate cu următoarele Directive Europene și standarde armonizate

2006/42/EC, 2014/30/EU, 2011/65/EU, 2000/14/EC, 2005/88/EC,
EN 60335-1:2010+A11:2014+A13:2017, EN 50636-2-92:2014,
EN 55014-1:2017, EN 55014-2:2015, EN IEC 63000:2018,
EN 61000-3-2:2014, EN 61000-3-3:2013

Nivelul măsurat al puterii acustice: 98,3 dB(A)
Nivelul garantat al puterii acustice: 100 dB(A)

Metoda de evaluare a conformității cu Anexa VI Directiva 2000/14/EC modificată prin 2005/88/EC.

Todd Chipner
Director Senior, Calitate Unelte Electrice și Siguranță & Reglementare Asia
Winnenden, December 31, 2019

Autorizat să completeze fișa tehnică:
Alexander Krug, Director General
Techtronic Industries GmbH
Max-Eyth-Straße 10, 71364 Winnenden, Germany

LV ATBILSTĪBAS DEKLARĀCIJA

Techtronic Industries GmbH
Max-Eyth-Straße 10, 71364 Winnenden, Germany

Ar šo paziņojam, ka produkti

Elektriskais skarifikators
Zīmols: RYOBI
Modeļa numurs: RY1400SF35A/ RY1400SF35B
Sērijas numura intervāls:
RY1400SF35A: 45721001000001 - 45721001999999
RY1400SF35B: 45721601000001 - 45721601999999

atbilst šādām Eiropas direktīvām un saskaņotajiem standartiem

2006/42/EC, 2014/30/EU, 2011/65/EU, 2000/14/EC, 2005/88/EC,
EN 60335-1:2010+A11:2014+A13:2017, EN 50636-2-92:2014,
EN 55014-1:2017, EN 55014-2:2015, EN IEC 63000:2018,
EN 61000-3-2:2014, EN 61000-3-3:2013

Izmērtās skaņas jaudas līmenis: 98,3 dB(A)
Garantētais skaņas intensitātes līmenis: 100 dB(A)

Atbilstības novērtēšanas metode pielikumam VI Direktīvai 2000/14/EC labota 2005/88/EC.

CE

Todd Chipner
Vecākais Direktors, CPT kvalitāte un Āzijas atbilstība un drošība
Winnenden, December 31, 2019

Pilnvarots sastādīt tehnisko failu:
Alexander Krug, Izpildedzinātājs
Techtronic Industries GmbH
Max-Eyth-Straße 10, 71364 Winnenden, Germany

ET VASTAVUSDEKLARATSIOON

Techtronic Industries GmbH
Max-Eyth-Straße 10, 71364 Winnenden, Germany

Kinnitame, et see toode

Elektriline murukobestaja
Mark: RYOBI
Mudeli number: RY1400SF35A/ RY1400SF35B
Seerianumbri vahemik:
RY1400SF35A: 45721001000001 - 45721001999999
RY1400SF35B: 45721601000001 - 45721601999999

vastab järgmistele Euroopa direktiividele ja harmoniseeritud standarditele

2006/42/EC, 2014/30/EU, 2011/65/EU, 2000/14/EC, 2005/88/EC,
EN 60335-1:2010+A11:2014+A13:2017, EN 50636-2-92:2014,
EN 55014-1:2017, EN 55014-2:2015, EN IEC 63000:2018,
EN 61000-3-2:2014, EN 61000-3-3:2013

Möödetud helivõimsuse tase: 98,3 dB(A)
Garanteeritud helivõimsuse tase: 100 dB(A)

Vastavushindamine vastavalt lisale VI direktiivis 2000/14/EC muudetud direktiiviga 2005/88/EC.

CE

Todd Chipner
Vanemdirektor, mootortööriistade kvaliteet ning Aasia järelevalve ja ohutus
Winnenden, December 31, 2019

Tehnilise faili koostamiseks volitatud isik:
Alexander Krug, Tegevdirektor
Techtronic Industries GmbH
Max-Eyth-Straße 10, 71364 Winnenden, Germany

LT ATITIKTIES DEKLARACIJA

Techtronic Industries GmbH
Max-Eyth-Straße 10, 71364 Winnenden, Germany

Mes pareiškiame, kad šie produktai

Elektrinis purentuvas
Prekės ženklas: RYOBI
Modelio numeris: RY1400SF35A/ RY1400SF35B
Serijinio numerio diapazonas:
RY1400SF35A: 45721001000001 - 45721001999999
RY1400SF35B: 45721601000001 - 45721601999999

pagamintas laikantis toliau nurodytųjų Europos Direktyvų ir darniųjų standartų

2006/42/EC, 2014/30/EU, 2011/65/EU, 2000/14/EC, 2005/88/EC,
EN 60335-1:2010+A11:2014+A13:2017, EN 50636-2-92:2014,
EN 55014-1:2017, EN 55014-2:2015, EN IEC 63000:2018,
EN 61000-3-2:2014, EN 61000-3-3:2013

Išmatuotas akustinis lygis: 98,3 dB(A)
Garantuotas akustinis lygis: 100 dB(A)

Atitikties įvertinimo metodas pagal direktyvos 2000/14/EC, VI Priedą su pataisomis 2005/88/EC.

CE

Todd Chipner
Vyr. direktorius, BEJ kokybės ir reglamentavimo bei saugos Azijoje skyrius
Winnenden, December 31, 2019

Ilgaiotas sudaryti techninį failą:
Alexander Krug, Generalinis Direktorius
Techtronic Industries GmbH
Max-Eyth-Straße 10, 71364 Winnenden, Germany

HR IZJAVA O USKLAĐENOSTI

Techtronic Industries GmbH
Max-Eyth-Straße 10, 71364 Winnenden, Germany

Ovime izjavljujemo da su proizvodi

Električna grebaloica
Marka: RYOBI
Broj modela: RY1400SF35A/ RY1400SF35B
Raspon serijskog broja:
RY1400SF35A: 45721001000001 - 45721001999999
RY1400SF35B: 45721601000001 - 45721601999999

usklađeni sa sljedećim Europskim Direktivama i usklađenim normama

2006/42/EC, 2014/30/EU, 2011/65/EU, 2000/14/EC, 2005/88/EC,
EN 60335-1:2010+A11:2014+A13:2017, EN 50636-2-92:2014,
EN 55014-1:2017, EN 55014-2:2015, EN IEC 63000:2018,
EN 61000-3-2:2014, EN 61000-3-3:2013

Izmjerena razina zvučne snage: 98,3 dB(A)
Jamčena razina zvučne snage: 100 dB(A)

Metoda procjene usklađenosti prema Dodatku VI Direktive 2000/14/EC navedeno u 2005/88/EC.

CE

Todd Chipner
Viši direktor, Odjel za upravljanje kvalitetom CPT alata, regulative i sigurnosti za područje Azije
Winnenden, December 31, 2019

Ovlašten da sastavi tehničku datoteku:
Alexander Krug, Direktor Upravljanja
Techtronic Industries GmbH
Max-Eyth-Straße 10, 71364 Winnenden, Germany

SL IZJAVA O SKLADNOSTI

Techtronic Industries GmbH
Max-Eyth-Straße 10, 71364 Winnenden, Germany

Izjavljamo, da je izdelek

Električna brana
Znamka: RYOBI
Številka modela: RY1400SF35A/ RY1400SF35B
Razpon serijskih števil:
RY1400SF35A: 45721001000001 - 45721001999999
RY1400SF35B: 45721601000001 - 45721601999999

v skladu s sledečimi evropskimi direktivami in harmoniziranimi standardi
2006/42/EC, 2014/30/EU, 2011/65/EU, 2000/14/EC, 2005/88/EC,
EN 60335-1:2010+A11:2014+A13:2017, EN 50636-2-92:2014,
EN 55014-1:2017, EN 55014-2:2015, EN IEC 63000:2018,
EN 61000-3-2:2014, EN 61000-3-3:2013

Izmerjena raven zvočne moči: 98,3 dB(A)
Zajamčena raven zvočne moči: 100 dB(A)

Način ugotavljanja skladnosti z aneksom VI direktive 2000/14/EC ki je bila spremenjena z 2005/88/EC.

Priglašeni organ 0197 TÜV Rheinland LGA Products GmbH; Tillystraße 2, D - 90431 Nürnberg, Germany je izdelal ES-odobritev tipa in številka certifikata je: BM 50439329 001. Test Report: 15070892 003.

CE

Todd Chipner

Višji direktor, oddelek za kakovost potrošniškega električnega orodja ter regulativo in varnosti za Azijo
Winnenden, December 31, 2019

Pooblaščenca oseba za sestavo tehnične dokumentacije:
Alexander Krug, Izvršni Direktor
Techtronic Industries GmbH
Max-Eyth-Straße 10, 71364 Winnenden, Germany

SK PREHLÁSENIE O ZHODE

Techtronic Industries GmbH
Max-Eyth-Straße 10, 71364 Winnenden, Germany

Týmto vyhlasujeme, že výrobok

Elektrický prevzdušňovač
Značka: RYOBI
Číslo modelu: RY1400SF35A/ RY1400SF35B
Rozsah sériových čísel:
RY1400SF35A: 45721001000001 - 45721001999999
RY1400SF35B: 45721601000001 - 45721601999999

je v súlade s nasledujúcimi Európskymi smernicami a harmonizovanými normami
2006/42/EC, 2014/30/EU, 2011/65/EU, 2000/14/EC, 2005/88/EC,
EN 60335-1:2010+A11:2014+A13:2017, EN 50636-2-92:2014,
EN 55014-1:2017, EN 55014-2:2015, EN IEC 63000:2018,
EN 61000-3-2:2014, EN 61000-3-3:2013

Nameraná úroveň hluku: 98,3 dB(A)
Garantovaná úroveň hluku: 100 dB(A)

Spôsob určenia zhody podľa Dodatku VI Smernica 2000/14/EC doplnená o 2005/88/EC.

CE

Todd Chipner

vyšší riaditeľ, kvalita spotrebiteľského elektrického náradia, regulačné záležitosti pre Áziu a bezpečnosť
Winnenden, December 31, 2019

Oprávnená osoba na zostavenie technického súboru:
Alexander Krug, Generálny Riaditeľ
Techtronic Industries GmbH
Max-Eyth-Straße 10, 71364 Winnenden, Germany

BG ДЕКЛАРАЦИЯ НА ЗА СЪОТВЕТСТВИЕ

Techtronic Industries GmbH
Max-Eyth-Straße 10, 71364 Winnenden, Germany

C Настоящего декларираме, че продуктите

Електрически скарификатор
Марка: RYOBI
Номер на модела: RY1400SF35A/ RY1400SF35B
Обхват на серийни номера:
RY1400SF35A: 45721001000001 - 45721001999999
RY1400SF35B: 45721601000001 - 45721601999999

отговаря на следните директиви на ЕС и хармонизирани стандарти
2006/42/EC, 2014/30/EU, 2011/65/EU, 2000/14/EC, 2005/88/EC,
EN 60335-1:2010+A11:2014+A13:2017, EN 50636-2-92:2014,
EN 55014-1:2017, EN 55014-2:2015, EN IEC 63000:2018,
EN 61000-3-2:2014, EN 61000-3-3:2013

Измерено ниво на шум: 98,3 dB(A)
Гарантирано ниво на шум 100 dB(A)

Метод за оценяване на съответствието с приложение VI Директива 2000/14/EC, изменена от 2005/88/EC.

CE

Todd Chipner

Главен директор, Качество на CPT и нормативно съответствие и безопасност за Азия
Winnenden, December 31, 2019

Упълномощено лице за съставяне на техническия файл:
Alexander Krug, Изпълнителен Директор
Techtronic Industries GmbH
Max-Eyth-Straße 10, 71364 Winnenden, Germany

UK ДЕКЛАРАЦИЯ ПРО ВІДПОВІДНІСТЬ

Techtronic Industries GmbH
Max-Eyth-Straße 10, 71364 Winnenden, Germany

При цьому ми заявляємо, що продукт

Електричний розпушувач
Марка: RYOBI
Номер моделі: RY1400SF35A/ RY1400SF35B
Діапазон серійного номеру:
RY1400SF35A: 45721001000001 - 45721001999999
RY1400SF35B: 45721601000001 - 45721601999999

у відповідності з наступними європейськими директивами та гармонізованими стандартами
2006/42/EC, 2014/30/EU, 2011/65/EU, 2000/14/EC, 2005/88/EC,
EN 60335-1:2010+A11:2014+A13:2017, EN 50636-2-92:2014,
EN 55014-1:2017, EN 55014-2:2015, EN IEC 63000:2018,
EN 61000-3-2:2014, EN 61000-3-3:2013

Вимірний рівень звукової потужності: 98,3 dB(A)
Гарантований рівень звукової потужності: 100 dB(A)

Метод оцінки відповідності Annex VI Directive 2000/14/EC з поправками, внесеними 2005/88 / EC

CE

Todd Chipner

Ген. директор з питань якості CPT, і регулювання охорони праці та техніки безпеки в Азії
Winnenden, December 31, 2019

Дозвіл на складання технічного файла:
Alexander Krug, керуючий Директор
Techtronic Industries GmbH
Max-Eyth-Straße 10, 71364 Winnenden, Germany

TR UYGUNLUK BEYANI

Techtronic Industries GmbH
Max-Eyth-Straße 10, 71364 Winnenden, Germany

İş bu belge ile bu ürünün

Elektrikli Tirmik
Marka: RYOBI
Model numarası: RY1400SF35A/ RY1400SF35B
Seri numarası aralığı:
RY1400SF35A: 45721001000001 - 45721001999999
RY1400SF35B: 45721601000001 - 45721601999999

aşağıdaki Avrupa Direktiflerine ve uyumlaştırılmış standartlara uygun olduğunu beyan ediyorum

2006/42/EC, 2014/30/EU, 2011/65/EU, 2000/14/EC, 2005/88/EC,
EN 60335-1:2010+A11:2014+A13:2017, EN 50636-2-92:2014,
EN 55014-1:2017, EN 55014-2:2015, EN IEC 63000:2018,
EN 61000-3-2:2014, EN 61000-3-3:2013

Ölçülen ses gücü seviyesi: 98,3 dB(A)
Güvenceli ses gücü seviyesi: 100 dB(A)

2005/88/AT ile değiştirilen 2000/14/AT Direktifi Ek VI uyarınca uygunluk değerlendirme yöntemi

CE

Todd Chipner
Kıdemli Direktör, CPT Kalitesi ve Asya Düzenleme ve Güvenlik
Winnenden, December 31, 2019

Teknik dosyayı derlemekle yetkili sorumlu:
Alexander Krug, Genel Müdür
Techtronic Industries GmbH
Max-Eyth-Straße 10, 71364 Winnenden, Germany









- EN** RYOBI is a trademark of Ryobi Limited, and is used under license.
© 2019 Techtronic Cordless GP. All rights reserved.
- FR** RYOBI est une marque déposée de Ryobi Limited, et est utilisée sous licence.
© 2019 Techtronic Cordless GP. Tous droits réservés.
- DE** RYOBI ist ein Markenzeichen von Ryobi Limited und wird in Lizenz verwendet.
© 2019 Techtronic Cordless GP. Alle Rechte vorbehalten.
- ES** RYOBI es una marca registrada de Ryobi Limited, y se utiliza bajo licencia.
© 2019 Techtronic Cordless GP. Todos los derechos reservados.
- IT** L'utilizzo del marchio registrato RYOBI è legato alla licenza concessa da Ryobi Limited.
© 2019 Techtronic Cordless GP. Tutti i diritti riservati.
- NL** RYOBI is een handelsmerk van Ryobi Limited en wordt onder licentie gebruikt.
© 2019 Techtronic Cordless GP. Alle rechten voorbehouden.
- PT** RYOBI é uma marca comercial de Ryobi Limited, e é utilizada sob licença.
© 2019 Techtronic Cordless GP. Todos os direitos reservados.
- DA** RYOBI er et varemærke tilhørende Ryobi Limited og bruges under licens.
© 2019 Techtronic Cordless GP. Alle rettigheder forbeholdes.
- SV** RYOBI är en del av varumärke Ryobi Limited och dess användning är licensierad.
© 2019 Techtronic Cordless GP. Alla rättigheter förbehålls.
- FI** RYOBI on Ryobi Limitedin omistama tavaramerkki, ja sitä käytetään lisenssin puitteissa.
© 2019 Techtronic Cordless GP. Kaikki oikeudet pidätetään.
- NO** RYOBI er et varemerke for Ryobi Limited, og brukes under lisens.
© 2019 Techtronic Cordless GP. Alle rettigheter forbeholdt.
- RU** RYOBI является товарным знаком компании Ryobi Limited, используемым по лицензии.
© 2019 Techtronic Cordless GP. Все права защищены.
- PL** RYOBI to znak towarowy firmy Ryobi Limited i jest używany zgodnie z udziałową licencją.
© 2019 Techtronic Cordless GP. Wszelkie prawa zastrzeżone.
- CS** RYOBI je ochranná známka společnosti Ryobi Limited a její používání podléhá licenci.
© 2019 Techtronic Cordless GP. Všechna práva vyhrazena.
- HU** A RYOBI a Ryobi Limited védjegye, használatát licenc keretében törtenik.
© 2019 Techtronic Cordless GP. Minden jog fenntartva.
- RO** RYOBI este o marcă comercială a firmei Ryobi Limited și este utilizată sub licență.
© 2019 Techtronic Cordless GP. Toate drepturile rezervate.
- LV** RYOBI ir Ryobi Limited preču zīme un tiek izmantota saskaņā ar licenci.
© 2019 Techtronic Cordless GP. Visas tiesības aizsargātas.
- LT** „RYOBI“ yra „Ryobi Limited“ prekės ženklas, naudojamas pagal licenciją.
© 2019 Techtronic Cordless GP. Visos teisės saugomos.
- ET** RYOBI on ettevõtte Ryobi Limited kaubamärk, mida kasutatakse litsentsi alusel.
© 2019 Techtronic Cordless GP. Kõik õigused kaitstud.
- HR** RYOBI je žig tvrtke Ryobi Limited i koristi se po licenci.
© 2019 Techtronic Cordless GP. Sva prava pridržana.
- SL** RYOBI je blagovna znamka družbe Ryobi Limited in se uporablja na podlagi dovoljenja.
© 2019 Techtronic Cordless GP. Vse pravice pridržane.
- SK** RYOBI je ochranná známka spoločnosti Ryobi Limited a používa sa na základe licencie.
© 2019 Techtronic Cordless GP. Všetky práva vyhradené.
- BG** RYOBI е търговска марка на Ryobi Limited и се използва под лиценз.
© 2019 Techtronic Cordless GP. Всички права запазени.
- UK** RYOBI є товарним знаком Ryobi Limited, і використовується за ліцензією.
© 2019 Techtronic Cordless GP. Усі права зберігаються.
- TR** RYOBI, Ryobi Limited şirketine ait olup, lisans altında kullanılan bir ticari markadır.
© 2019 Techtronic Cordless GP. Tüm hakları saklıdır.





Techtronic Industries GmbH
Max-Eyth-Straße 10,
71364 Winnenden, Germany

099229002001-01