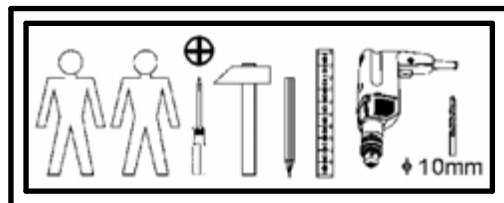
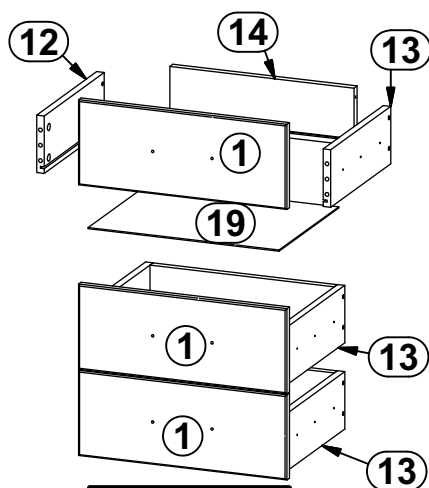
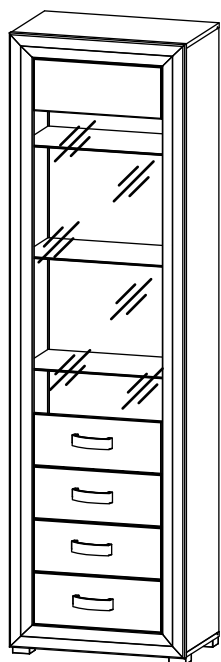
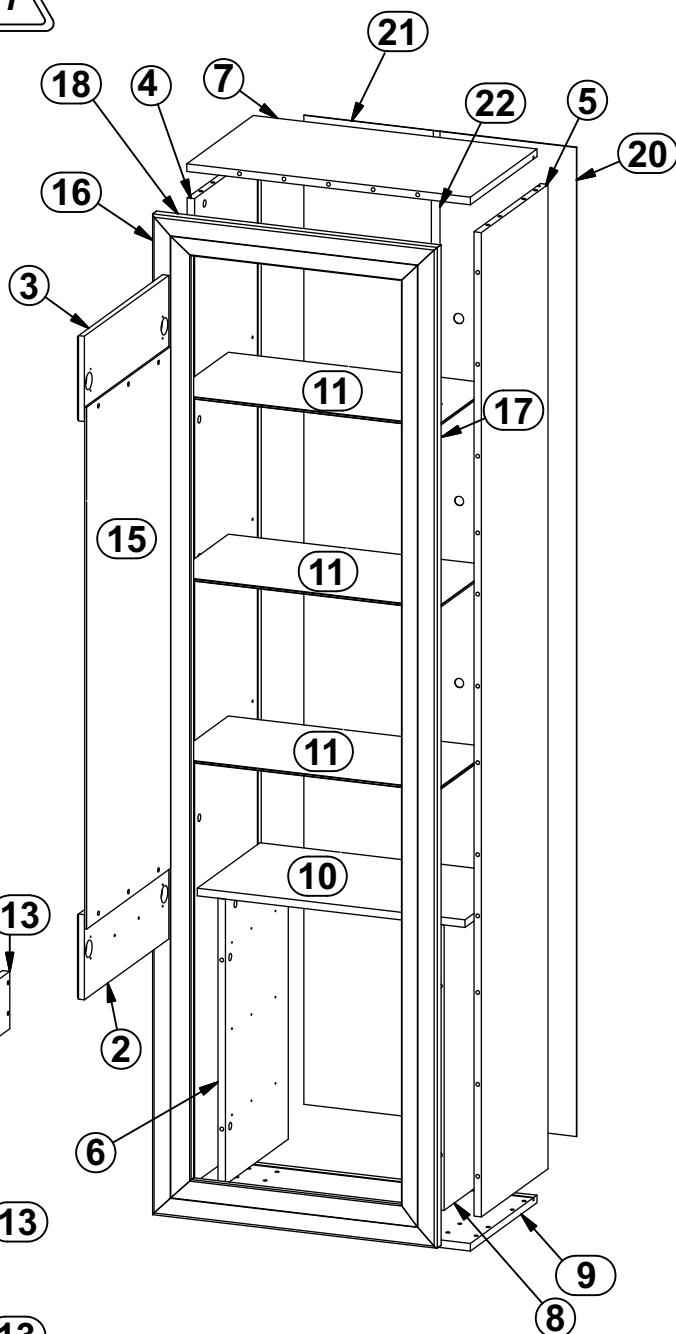
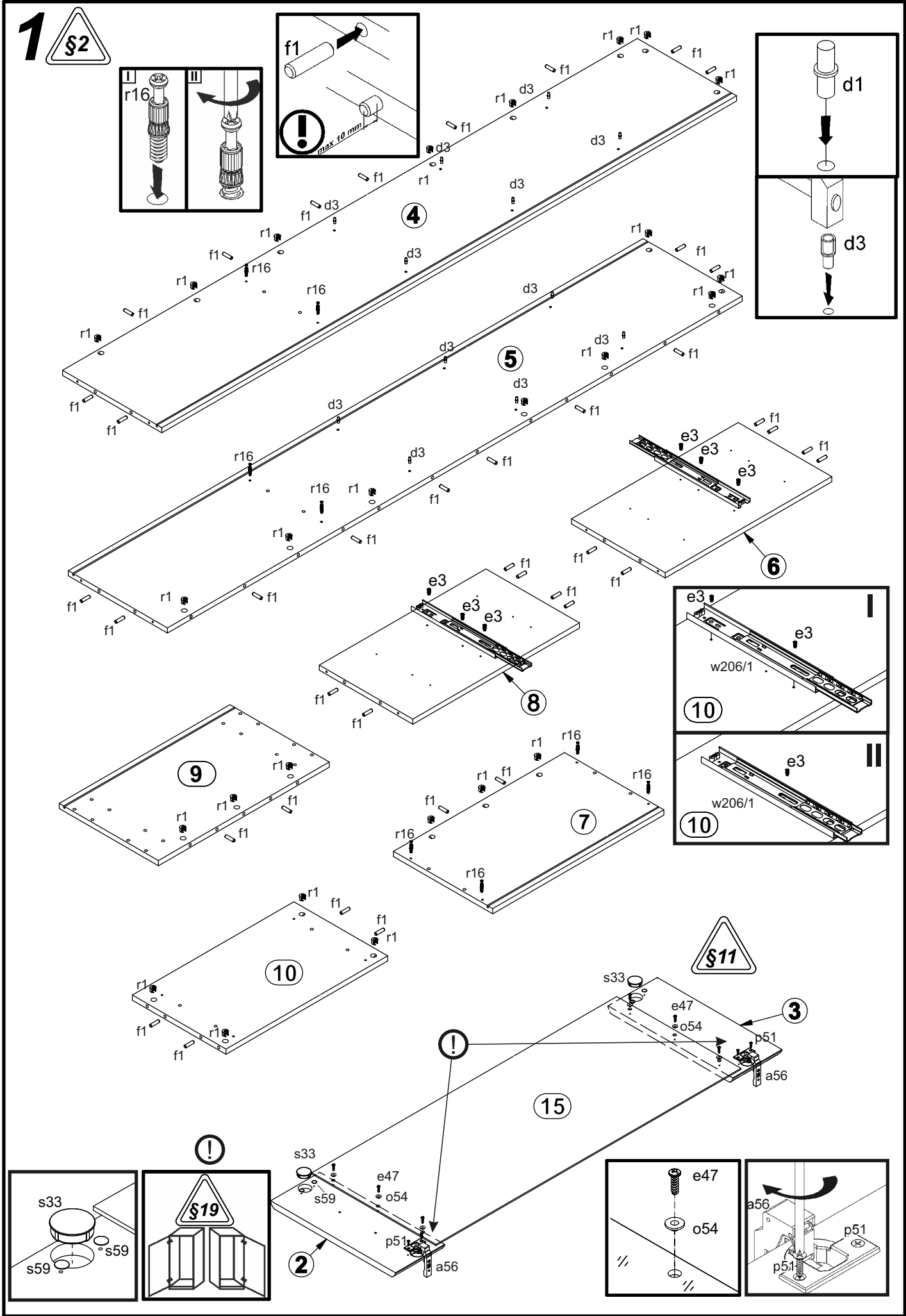


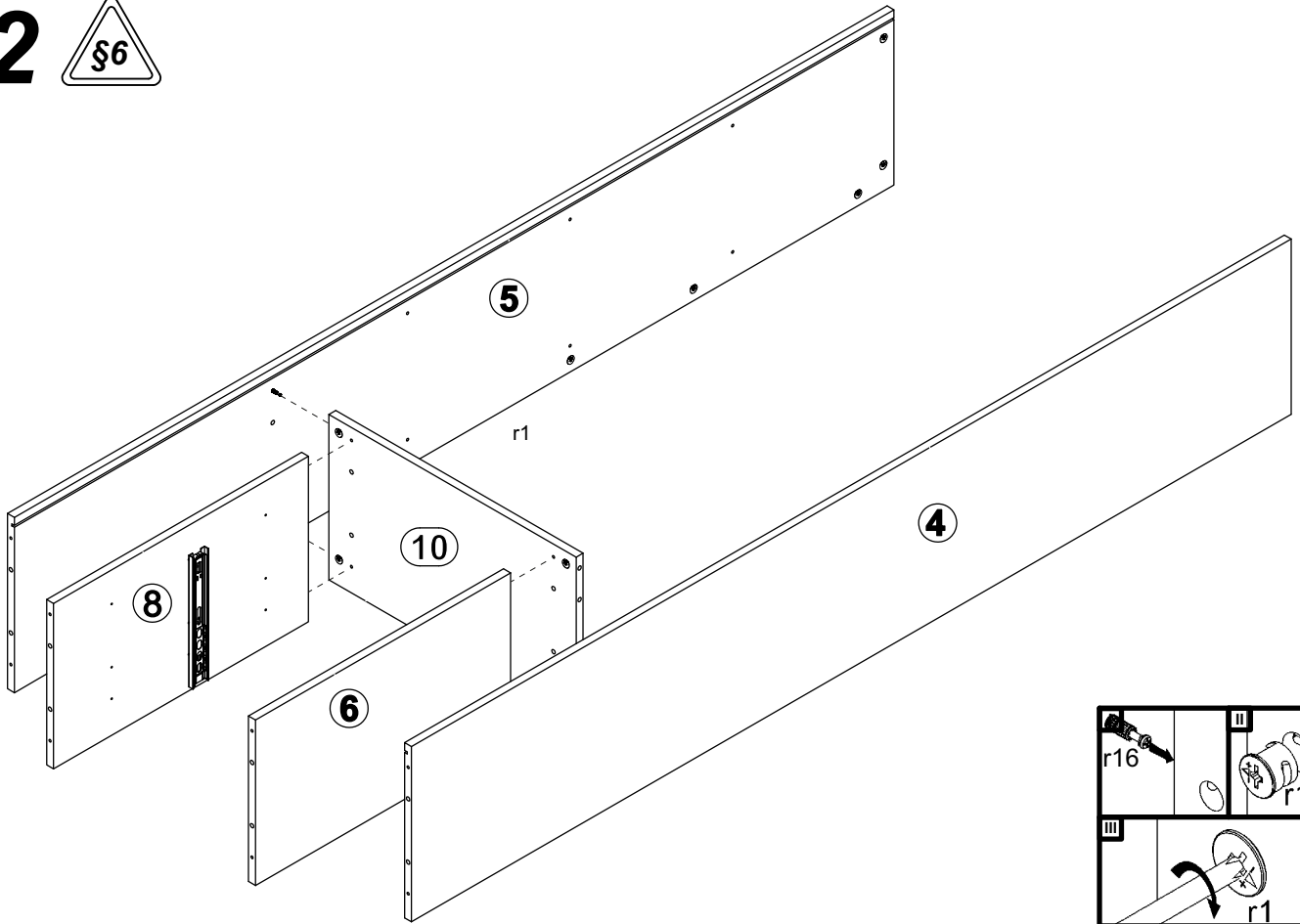
A	B	C	D	
1	B136-006	447	177	1/5
2	B136-002	447	177	1/5
3	B136-001	447	177	1/5
4	B136-137	2056	355	2/5
5	B136-138	2056	355	2/5
6	B136-141	596	335	1/5
7	B136-211	611	355	1/5
8	B136-142	596	335	1/5
9	B136-202	611	355	1/5
10	B136-320	577	335	1/5
11	B136-306	576	300	4/5
12	B136-501	320	120	1/5
13	B136-502	320	120	1/5
14	B136-508	377	120	1/5
15	B136-564	446	1090	3/5
16	B136-5502	2090	80	2/5
17	B136-5503	2090	80	2/5
18	B136-571	613	80	2/5
19	B136-901	391	318	1/5
20	B136-906N	2066	293	2/5
21	B136-913	2066	293	2/5
22	Lh-2050	2050	14	1/6



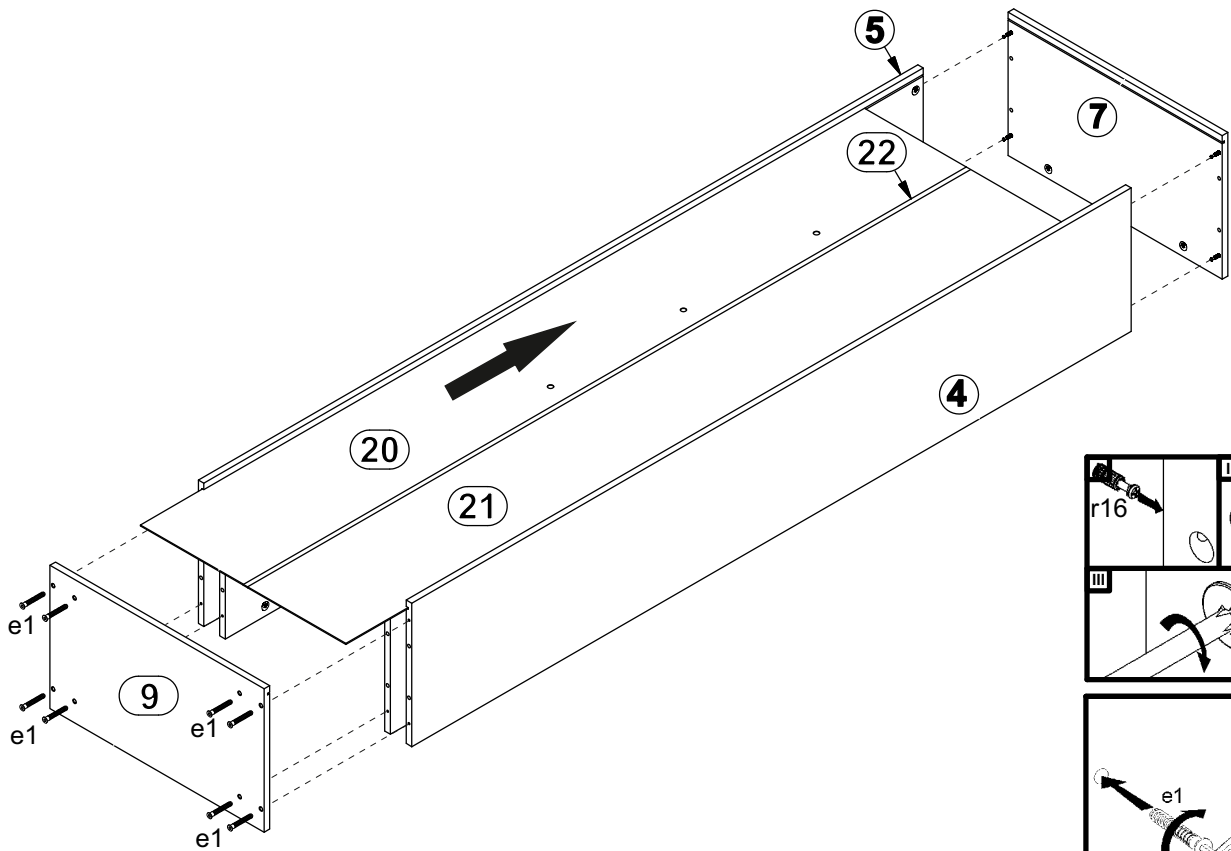
2x a56	2x b6	12x x17 mm d3	20x 7x50 mm e1	6x 5x16 mm e47	54x x30 mm f1	4x phi412.050	8x f4x30 mm p9	16x l1
22x i2	1x n26	6x 5.3/ 8.3x4.8 mm o54	18x phi6x13 mm e3	1x x16 mm p38	4x x15 mm p51	8x x35 mm p6	4x 60x60x25 mm k55	1x x60 mm p17
1x x50 mm f35	46x x12mm r1	4x r10	38x 20/9 r16	23x 16 s2	1x z1	18x x12 mm p140	2x W35 mm s33	4x W12x0.5 mm s59
6x w206/1	6x w206/2	1x x3.5 mm s50	1x 29x13x51.5 mm n114	1x x12 mm p54	6x x1.8mm o21			



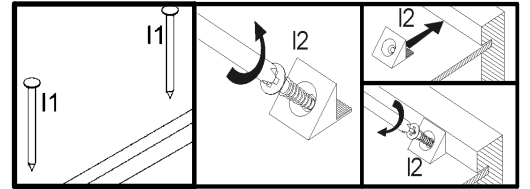
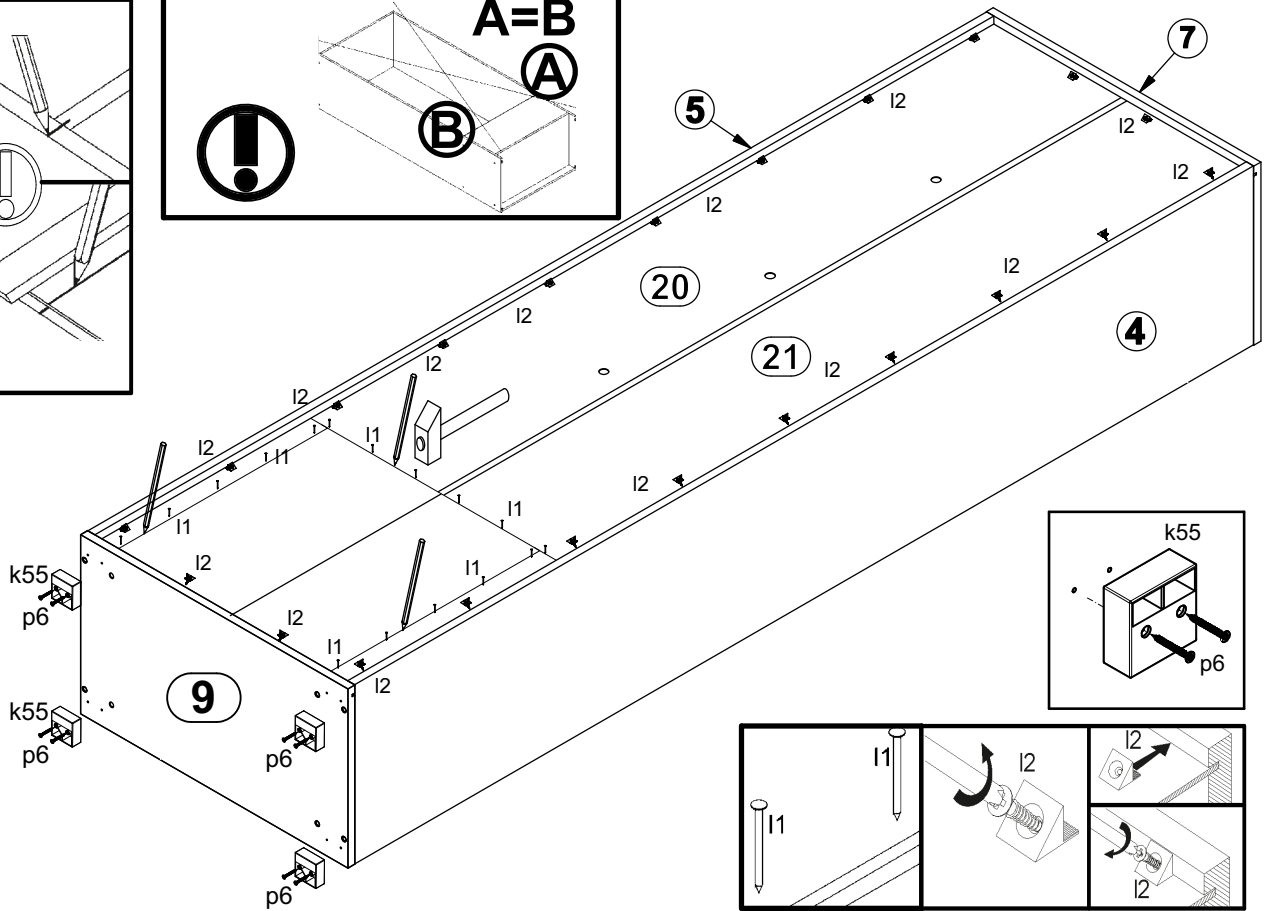
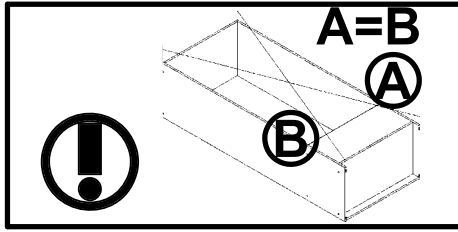
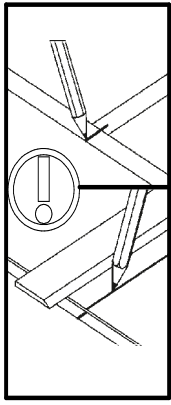
2



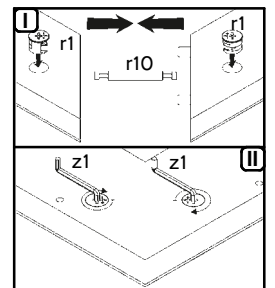
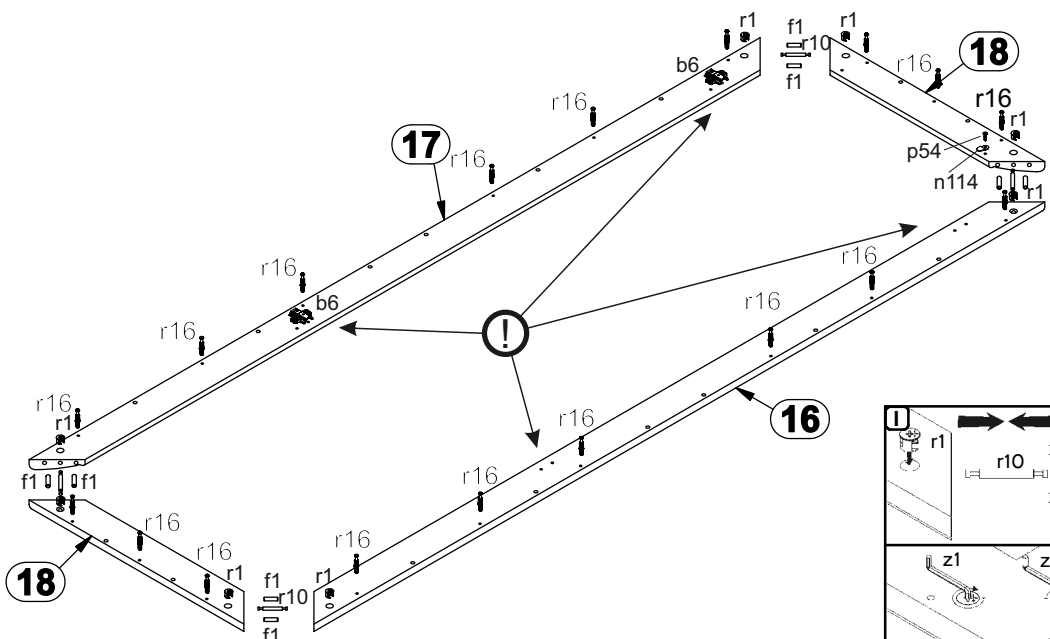
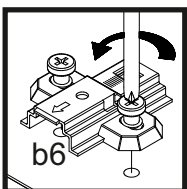
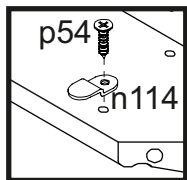
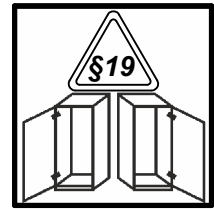
3



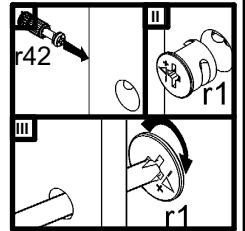
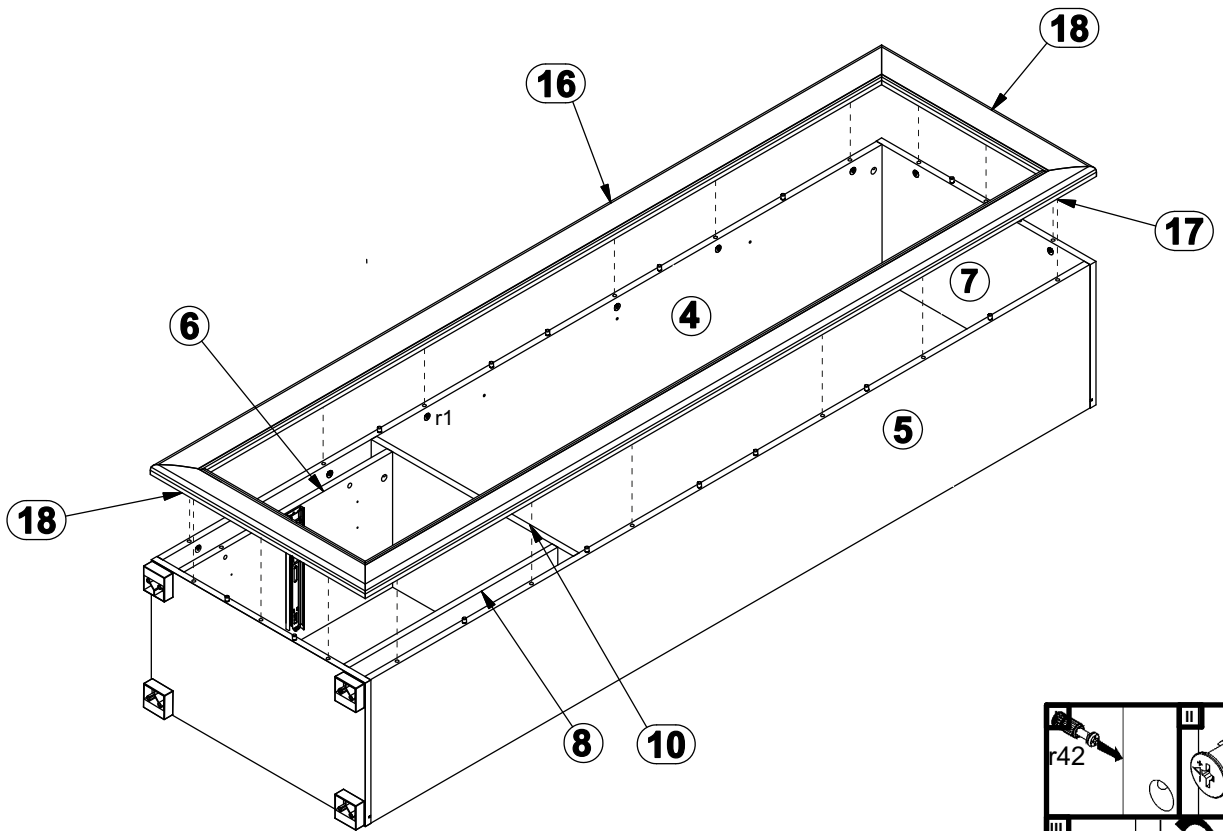
4



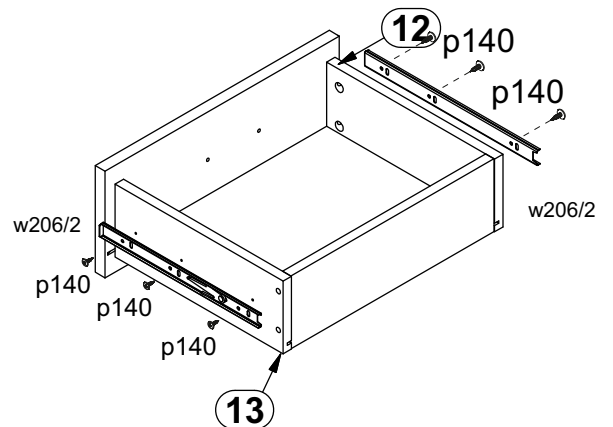
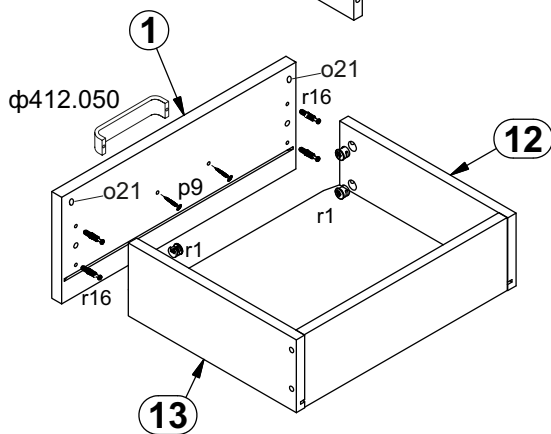
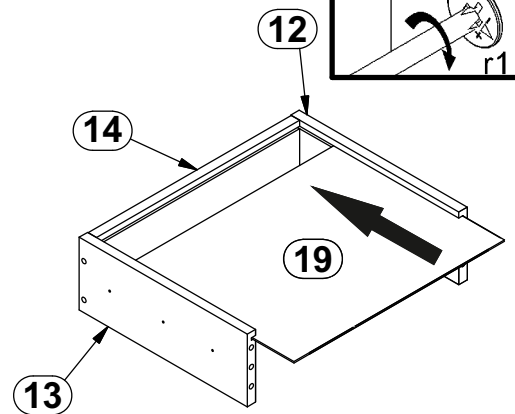
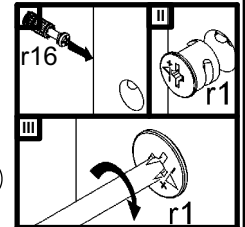
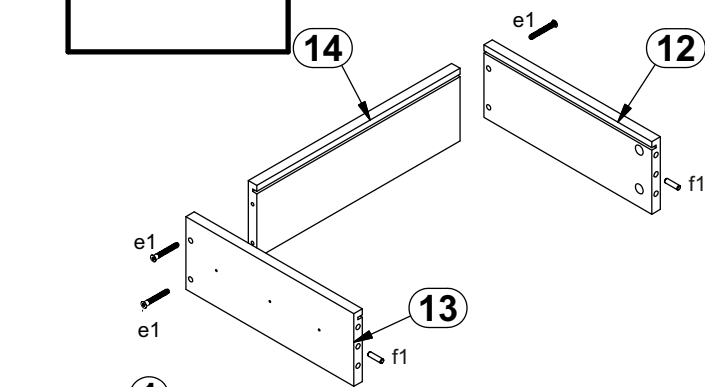
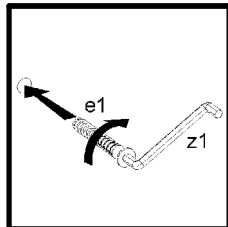
5



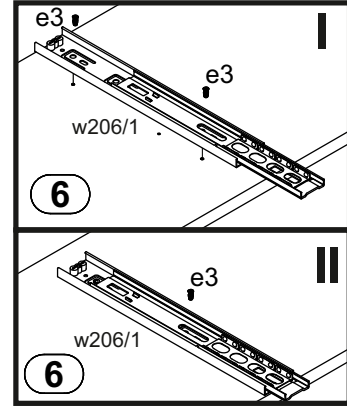
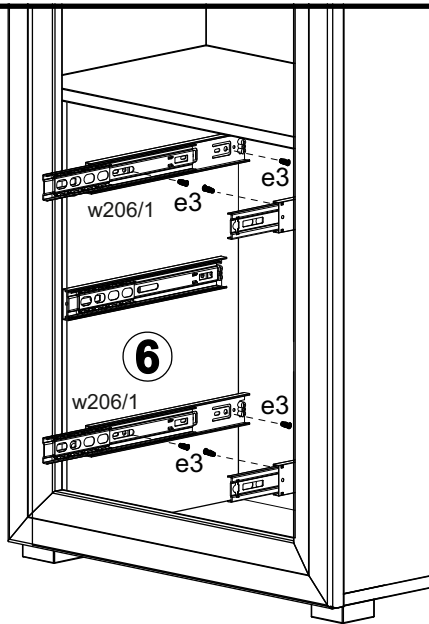
6



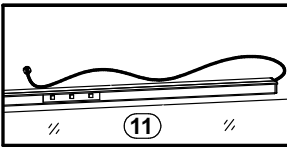
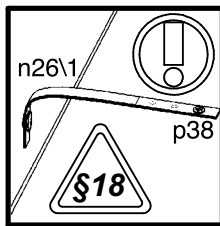
7



8



9



φ412.050

