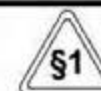
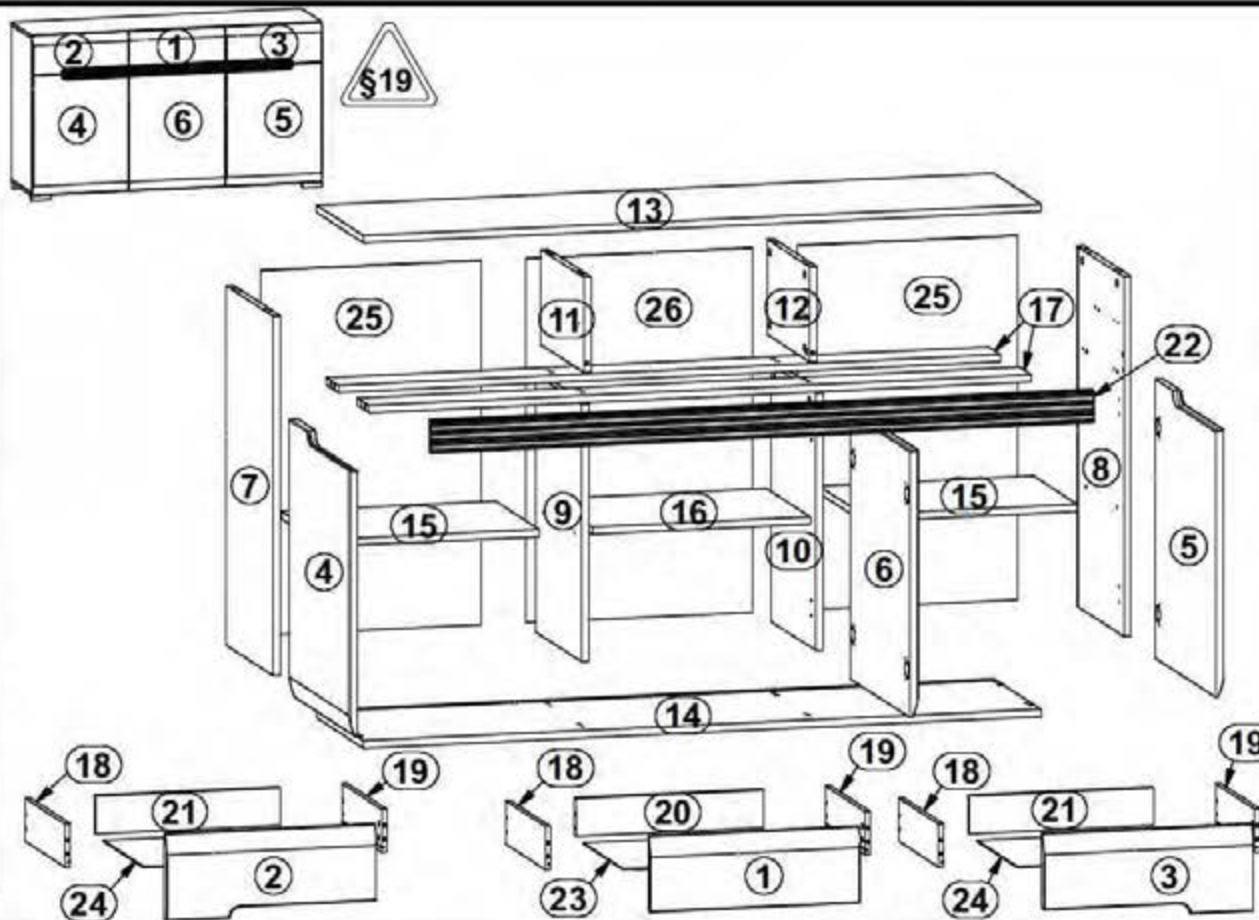
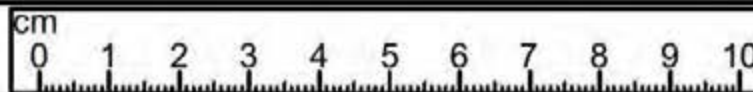


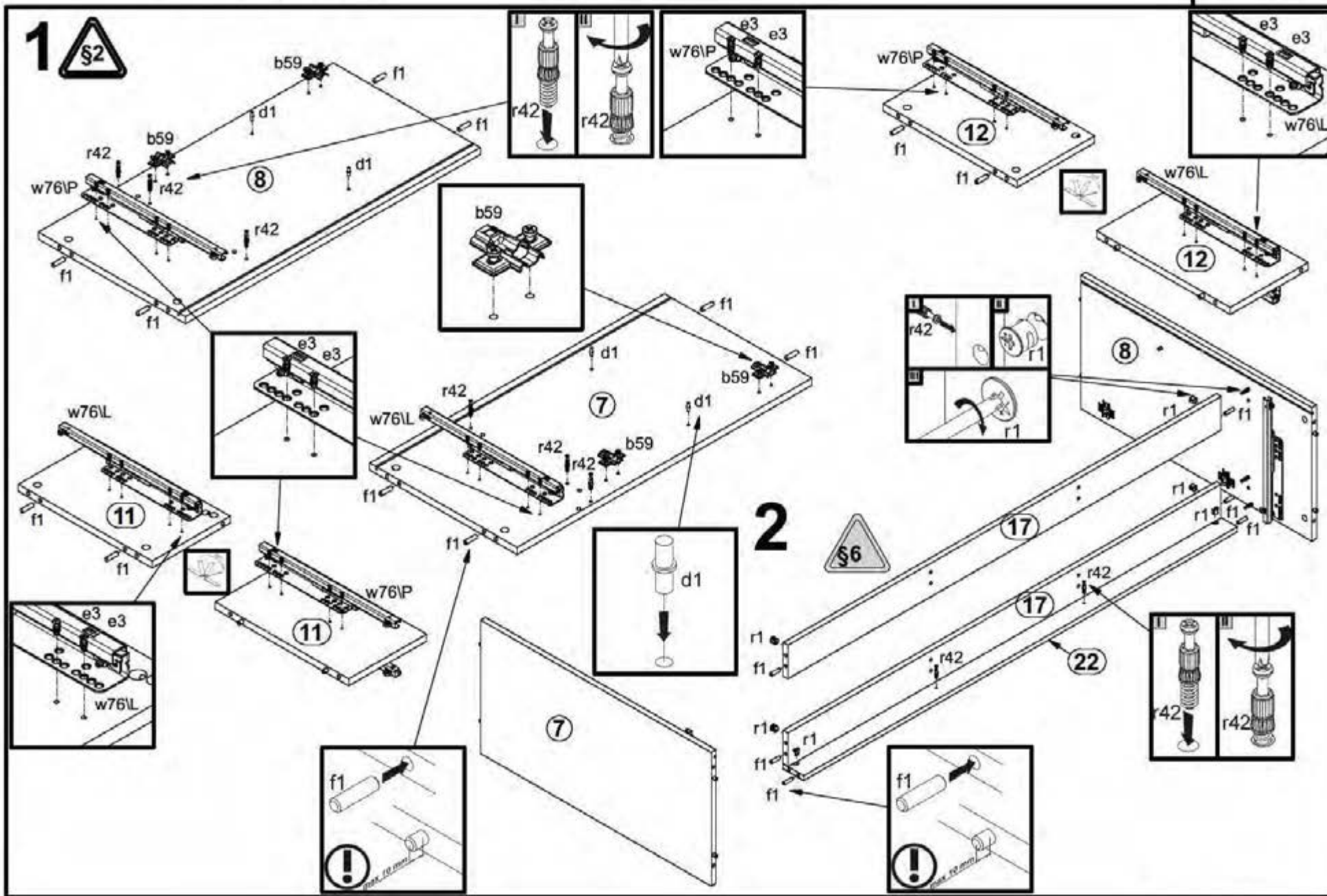
120 min



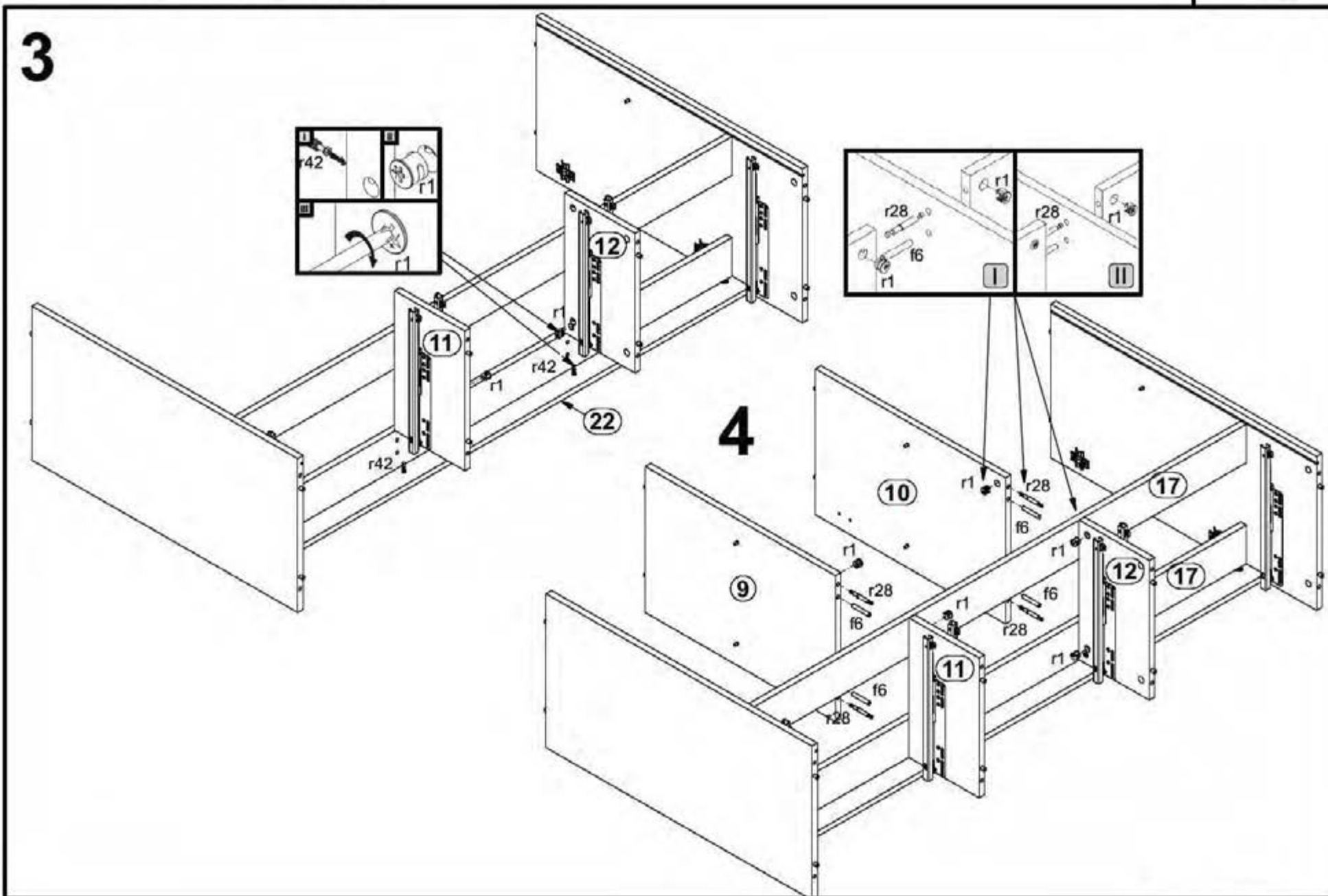
A	B	C (mm)		D
1	S205 014	175	496	3/3
2	S205 017	200	496	3/3
3	S205 018	200	496	3/3
4	S205 019	606	496	3/3
5	S205 020	606	496	3/3
6	S205 021	581	496	3/3
7	S205 119	781	390	2/3
8	S205 120	781	390	2/3
9	S205 121	558	370	2/3
10	S205 122	558	370	2/3
11	S205 123	206	354	2/3
12	S205 124	206	354	2/3
13	S205 214	1500	390	1/3
14	S205 215	1500	390	1/3
15	S205 306	475	360	1/3
18	S205 307	483	360	1/3
17	S205 401	1467	98	1/3
18	S205 501	350	105	2/3
19	S205 502	350	105	2/3
20	S205 507	444	91	1/3
21	S205 508	435	91	1/3
22	S205 573	1467	70	1/3
23	S205 907	458	358	1/3
24	S205 908	449	358	1/3
25	S205 909	791	488	2/3
26	S205 910	791	501	2/3

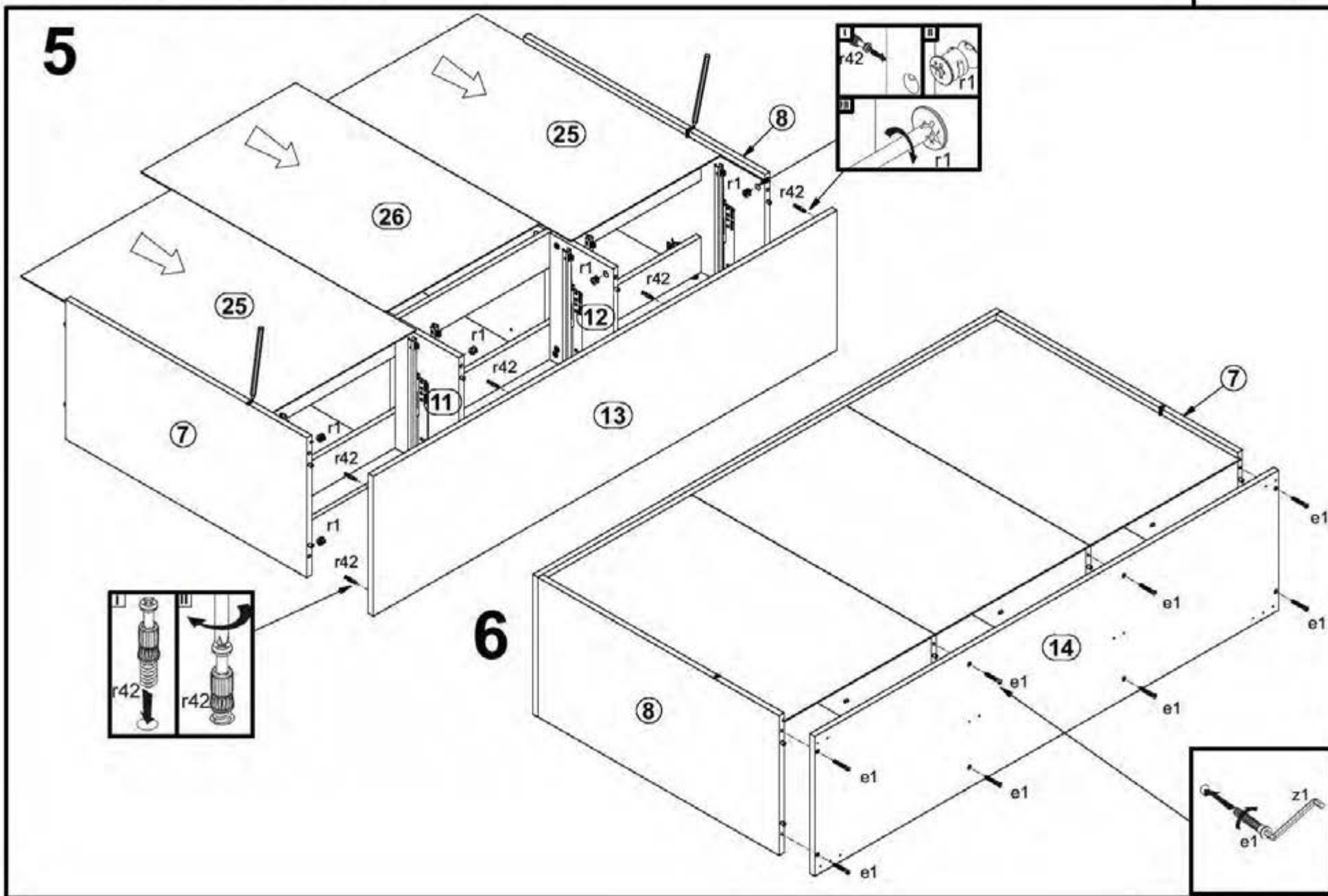


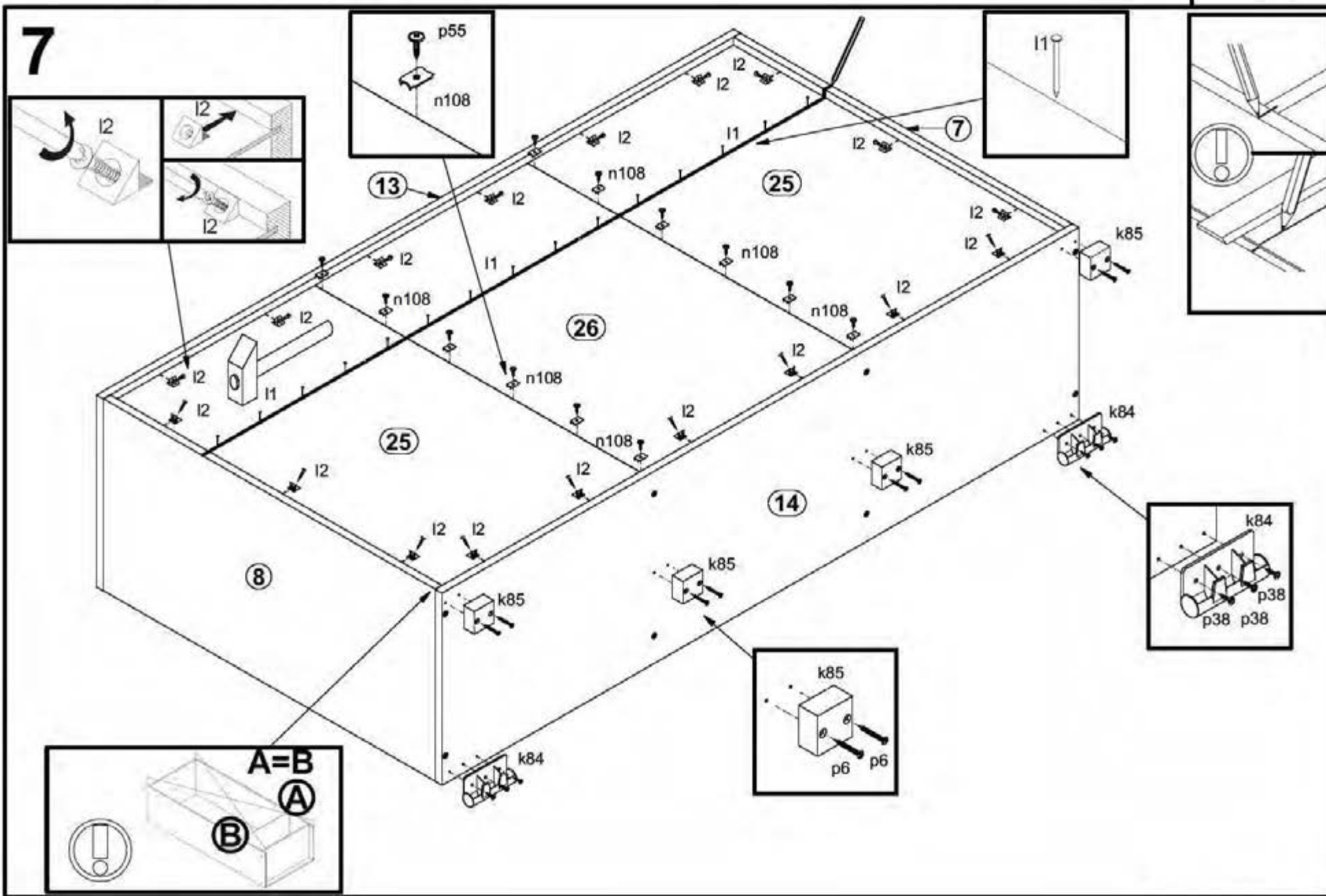
28x r42	4x r28	15x l1	1x p17	1x r35	20x e1	1x z1	1x n261l	3x w76lL	3x w76lP	12x n108	4x f6
24x e3	2x s33	4x s4	16x s2	4x s59	12x d1	28x f1	36x r1	3x t35	19x p38	8x p6	18x l2
18x p55	12x p51	6x p25	4x b59	2x a109	2x b51	2x k84	4x k85	4x a102			





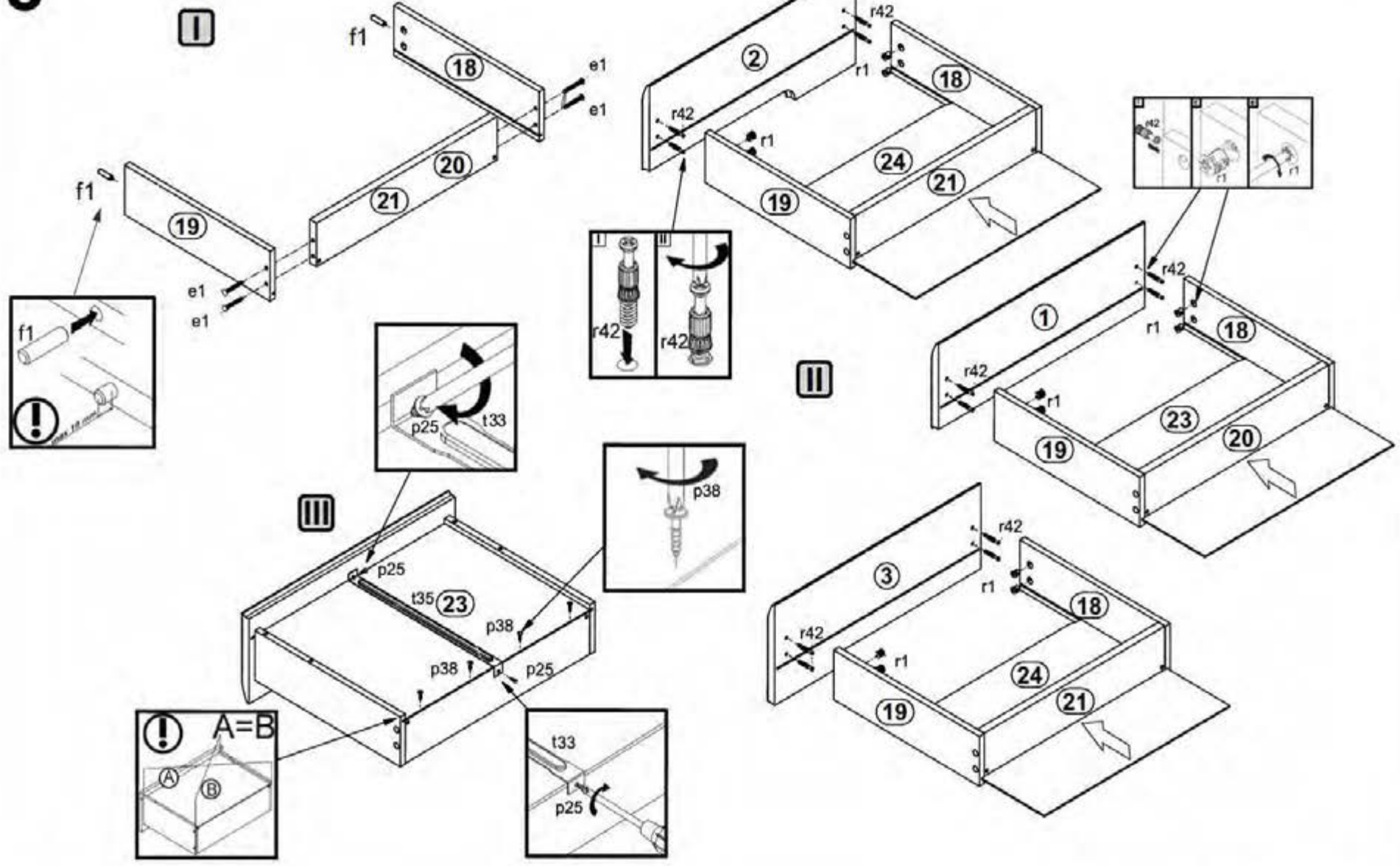


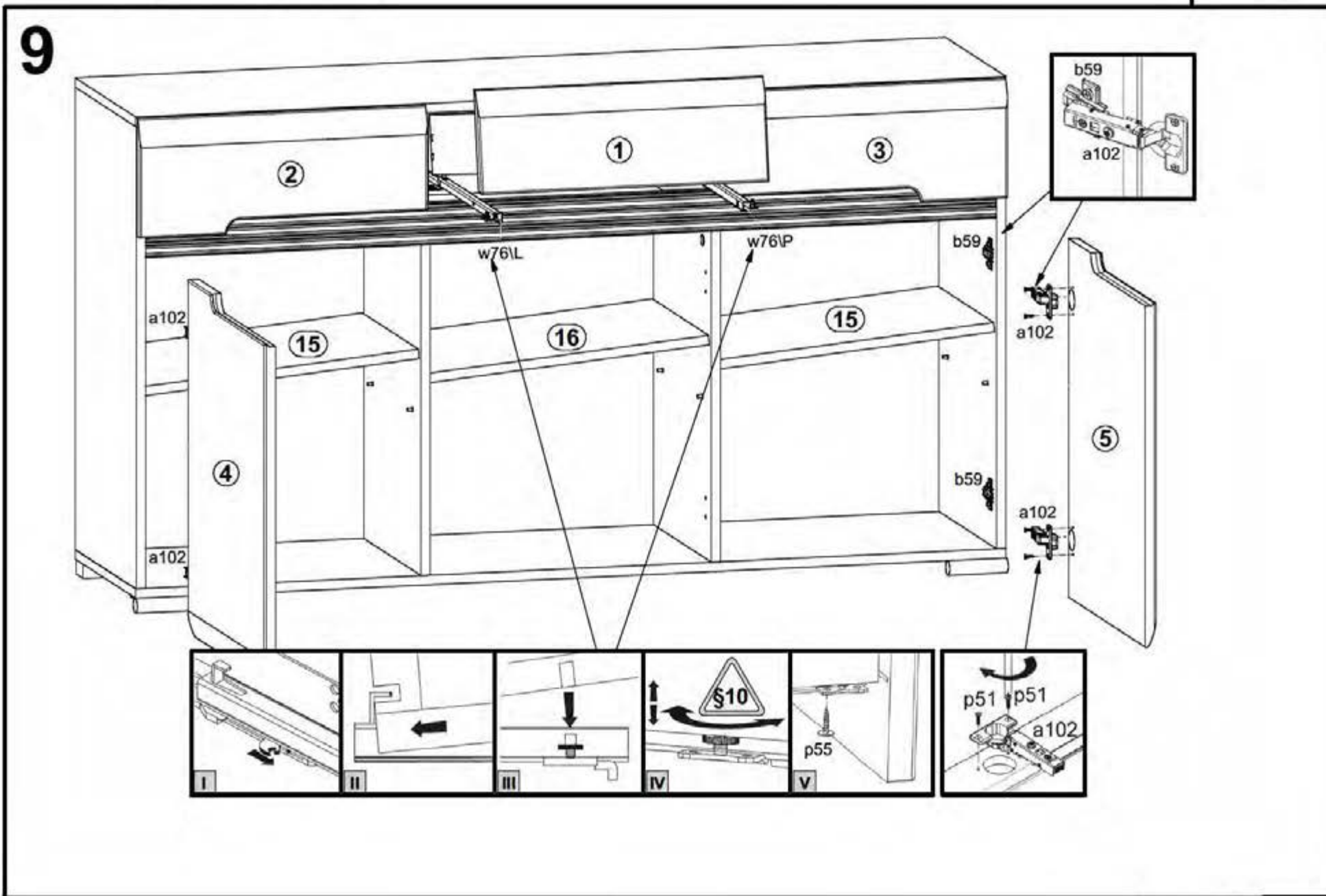




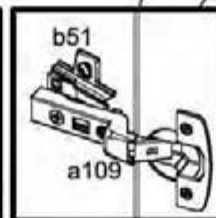
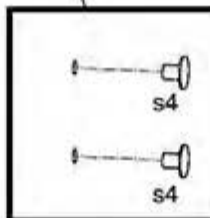
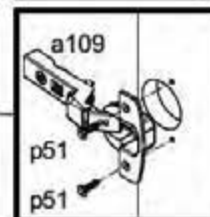
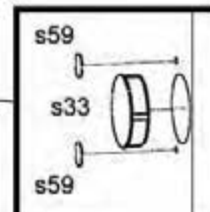
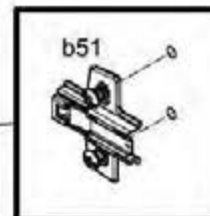
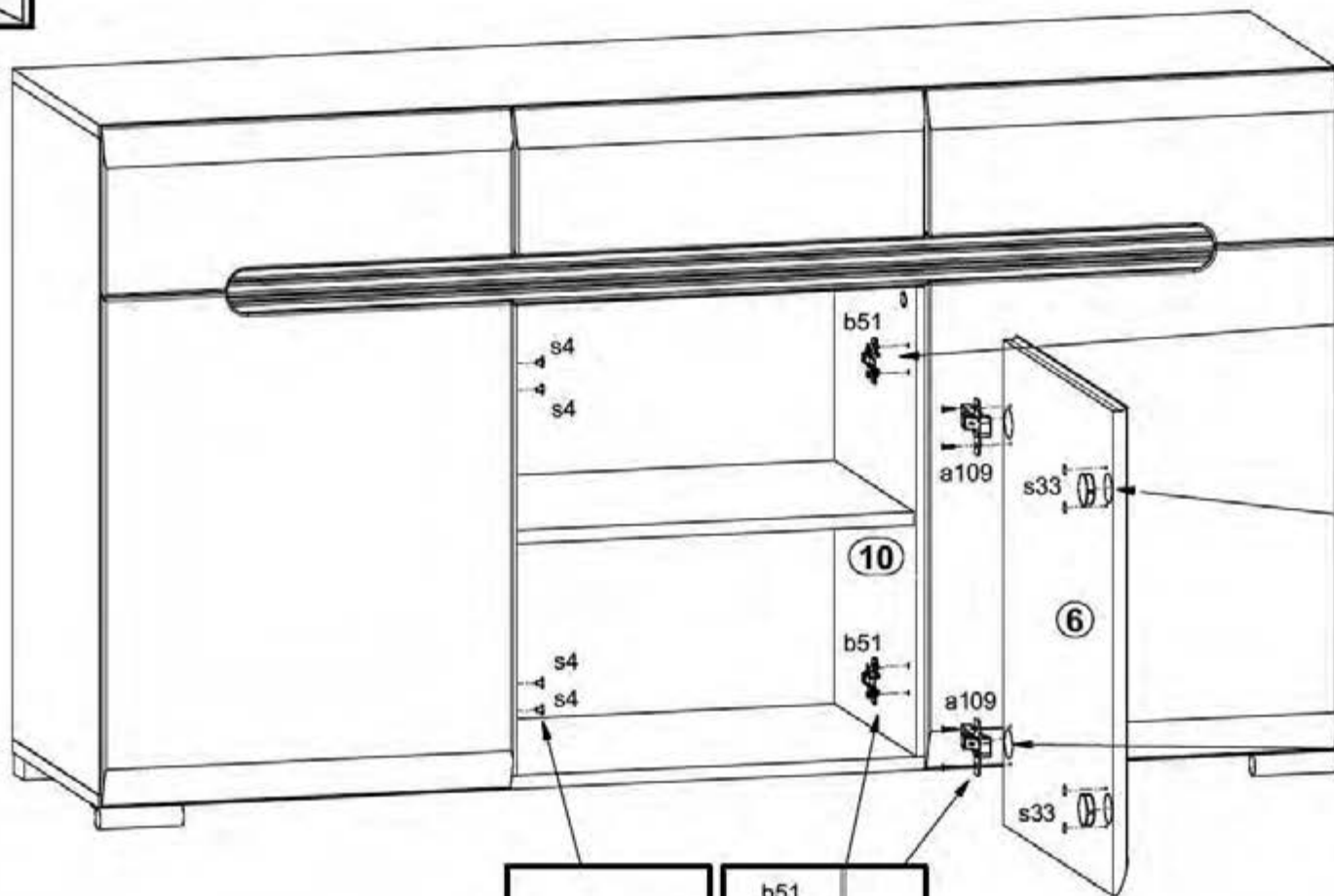


8





10





11

