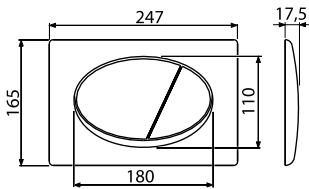


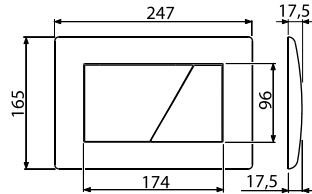


M7x ■ M17x ■ M27x ■ M37x ■ M47x M137x ■ M147x

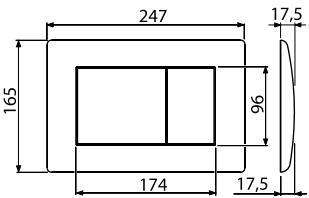
[mm]



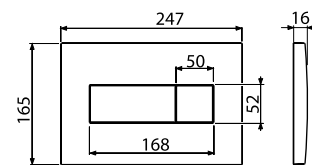
M70, M71, M72, M73, M75



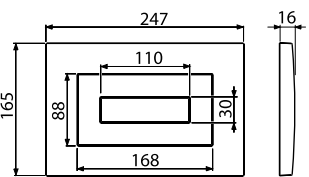
M170, M171, M172, M173, M175



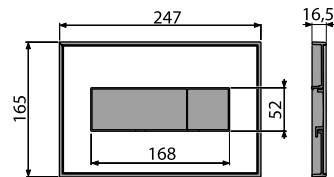
M270, M271, M272
M275, M277, M278



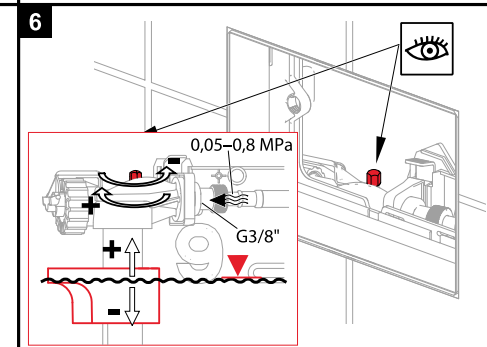
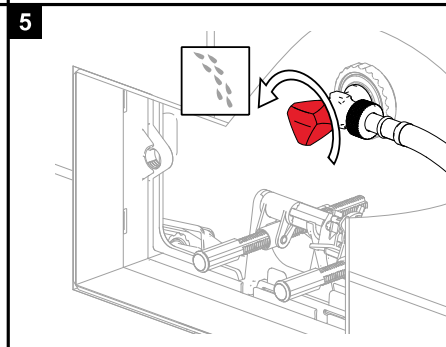
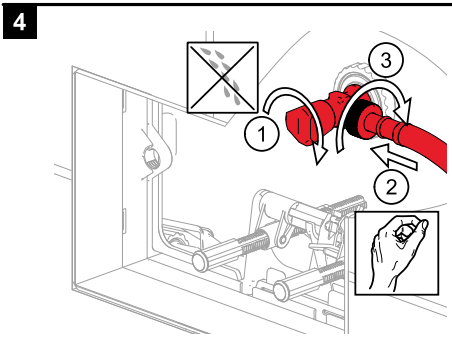
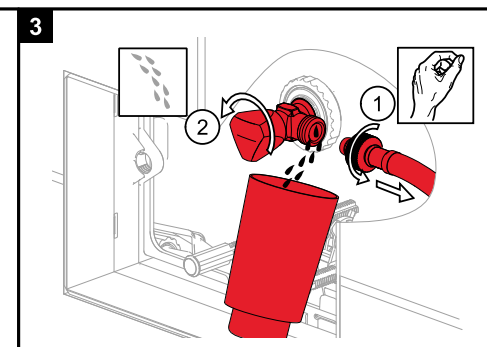
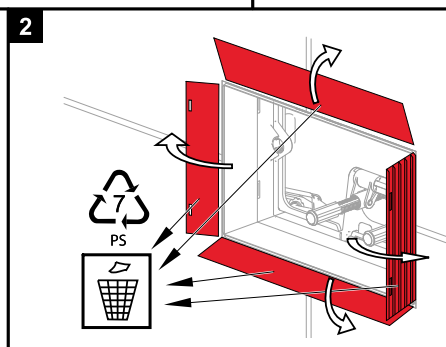
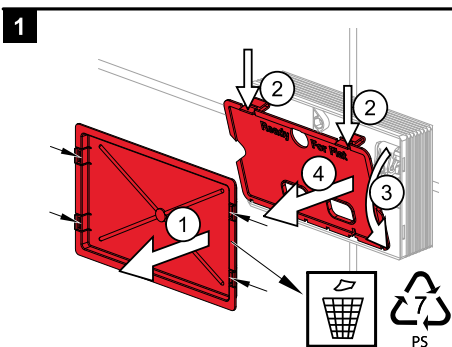
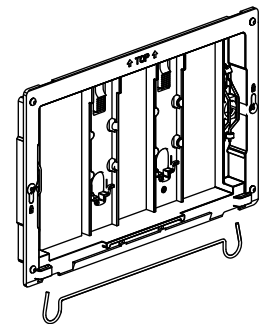
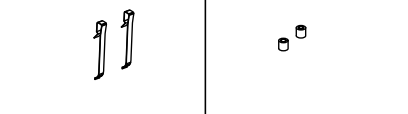
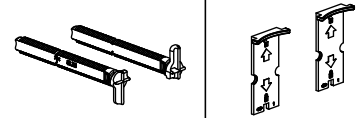
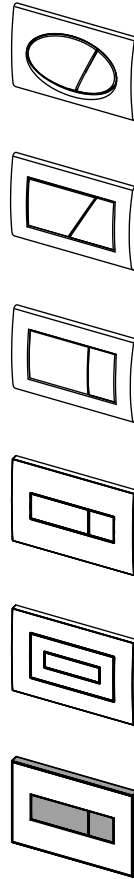
M370, M371, M372, M375, M378



M470, M471, M472, M475, M478



M1370, M1371, M1372, M1374,
M1375, M1376,
M1470, M1471, M1472, M1474,
M1475



7

8 A100, A101, A102, A112, A115, A116
AM100, AM101, AM102, AM112, AM115, AM116

SLIM - A1101B, A1112B, A1115B
AM1101B, AM1112B, AM1115B

ABS

9

10

11

(min 20 mm)

ABS

L = 28 mm

L = 21 mm

L = 20 mm

12

13

14

ZIRAVINA / CAUSTIC / CI

Alca plast, s. r. o.
Bratislavská 2846, 690 02 Břeclav, Česká republika
Tel.: +420 519 821 117 – prodej ČR
Tel.: +420 519 821 041 – export, Fax: +420 519 821 083
e-mail: alcaplast@alcaplast.cz, www.alcaplast.cz
© 2018 Alcaplast, s.r.o.