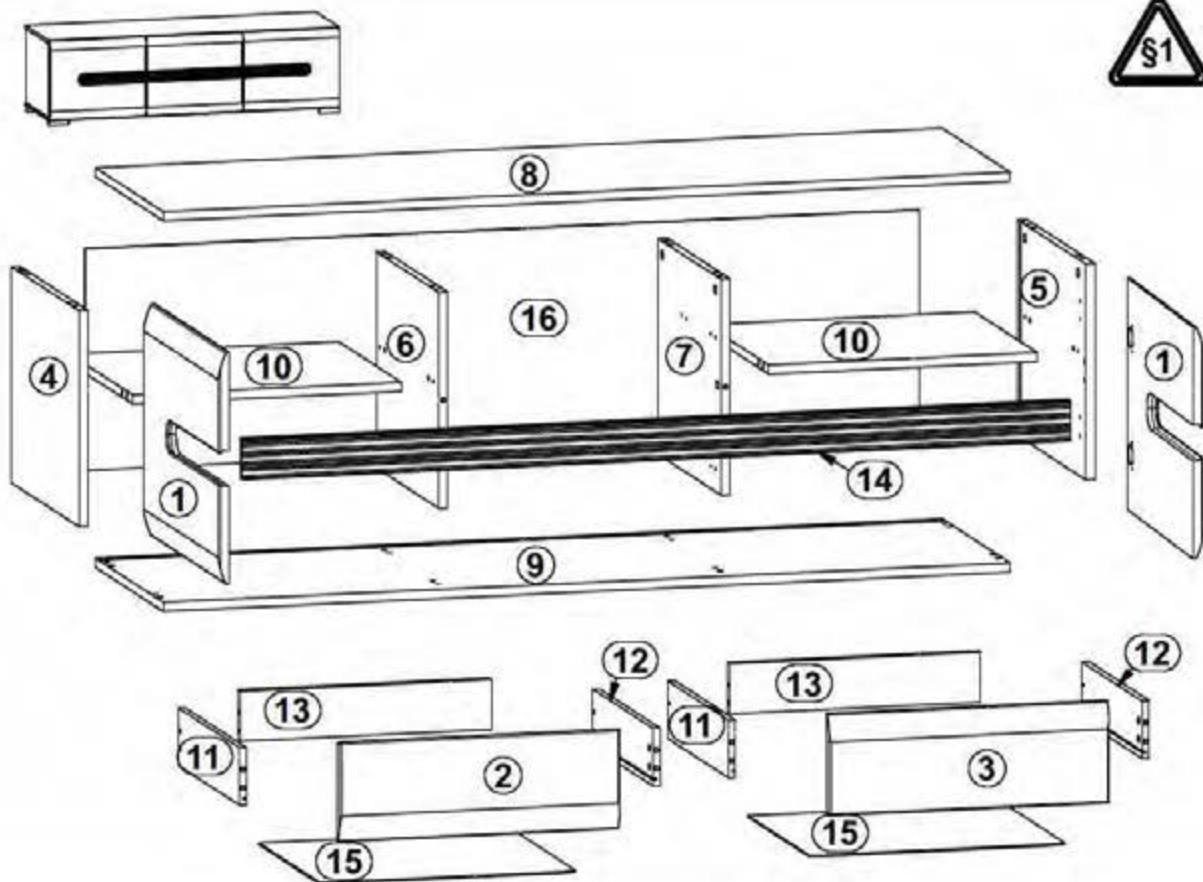


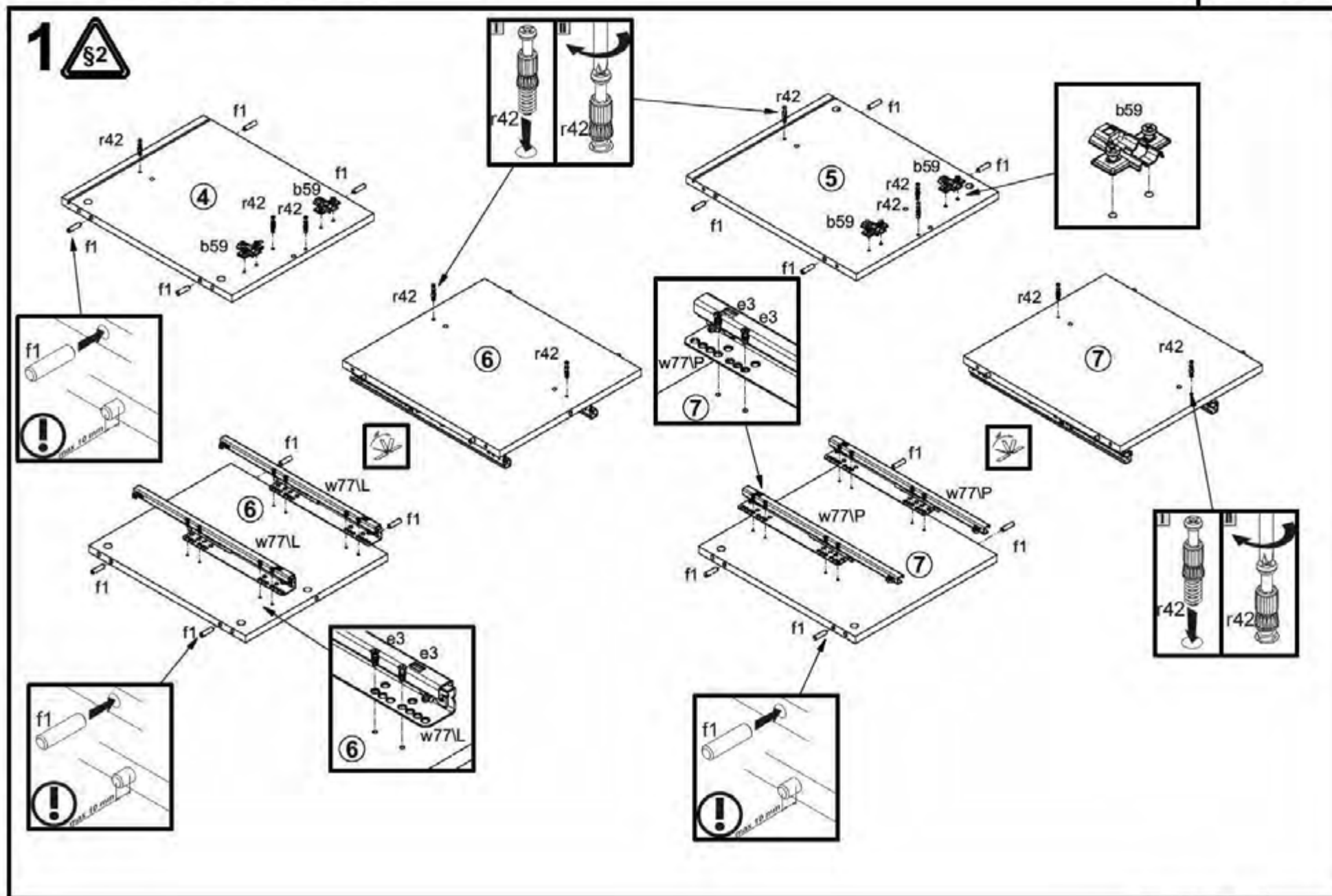
90 min

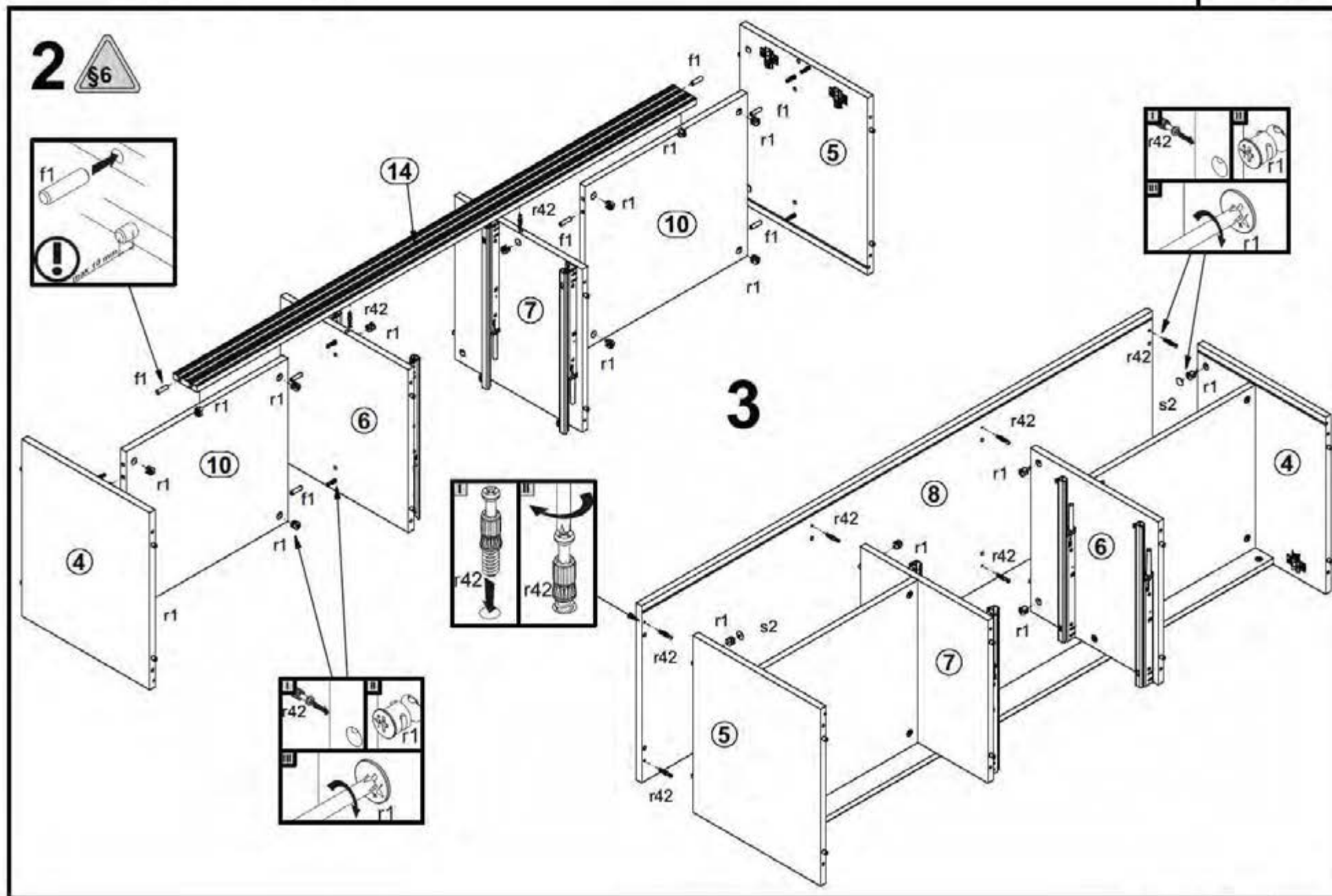


A	B	C (mm)		D
1	S205 012	403	496	2/2
2	S205 013	175	496	2/2
3	S205 014	175	496	2/2
4	S205 113	375	450	1/2
5	S205 114	375	450	1/2
6	S205 115	375	414	1/2
7	S205 116	375	414	1/2
8	S205 210	1500	450	1/2
9	S205 211	1500	450	1/2
10	S205 304	475	414	1/2
11	S205 505	400	105	1/2
12	S205 506	400	105	1/2
13	S205 507	444	91	1/2
14	S205 573	1467	70	1/2
15	S205 905	458	408	1/2
16	S205 906	1477	385	1/2



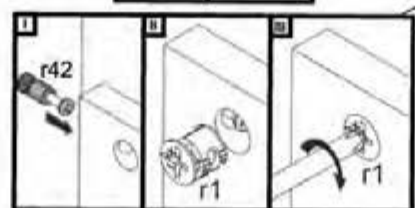
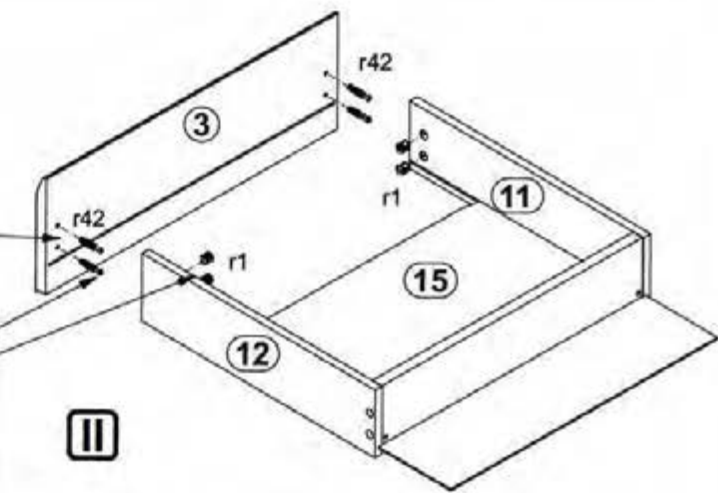
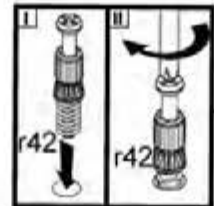
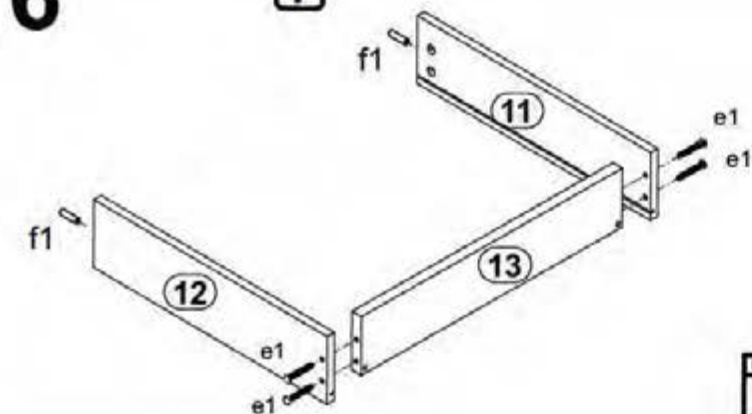
4x a102	4x b59	2x k84	4x k85	8x ø3.5x15 mm p51	2x 400 mm t33	4x ø3.5x16 mm p25	15x ø3.5x38 mm p38	4x ø2.9x16 mm p55	28x ø1.9x12 mm #16 r1	28x r42	12x s2
16x ø7x50 mm e1	16x ø6x13 mm e3	30x ø6x32 mm f1	10x l1	14x l2	8x ø4x35 mm p6	2x 400 mm w77/L	2x 400 mm w77/P	1x z1	1x n2611	1x ø7x9 mm p17	1x ø10x9 mm f35





6

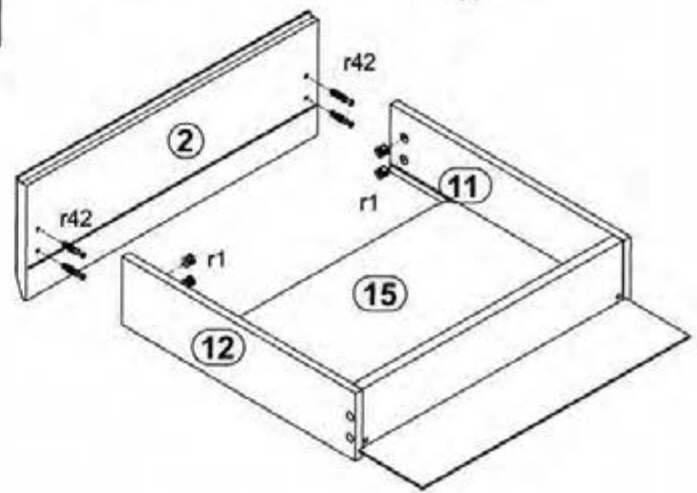
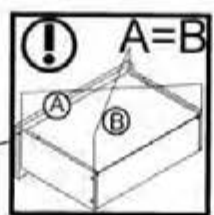
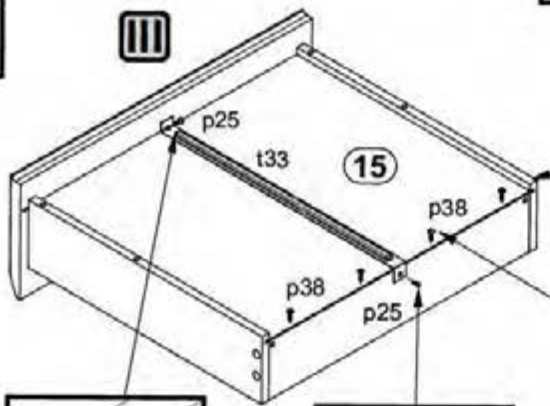
I



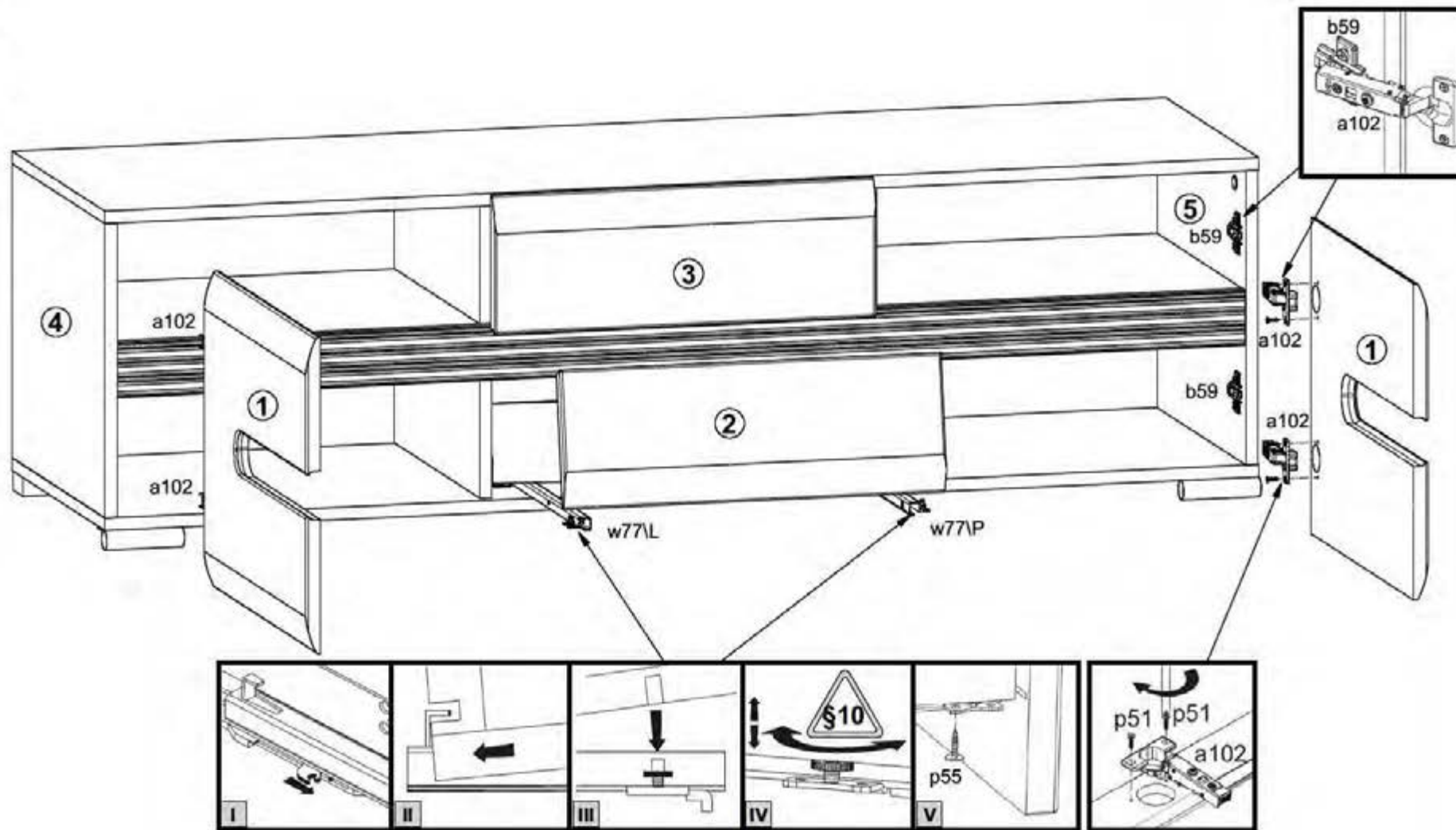
II



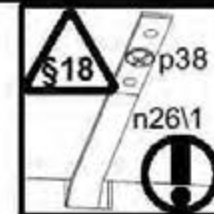
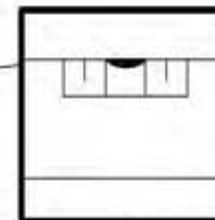
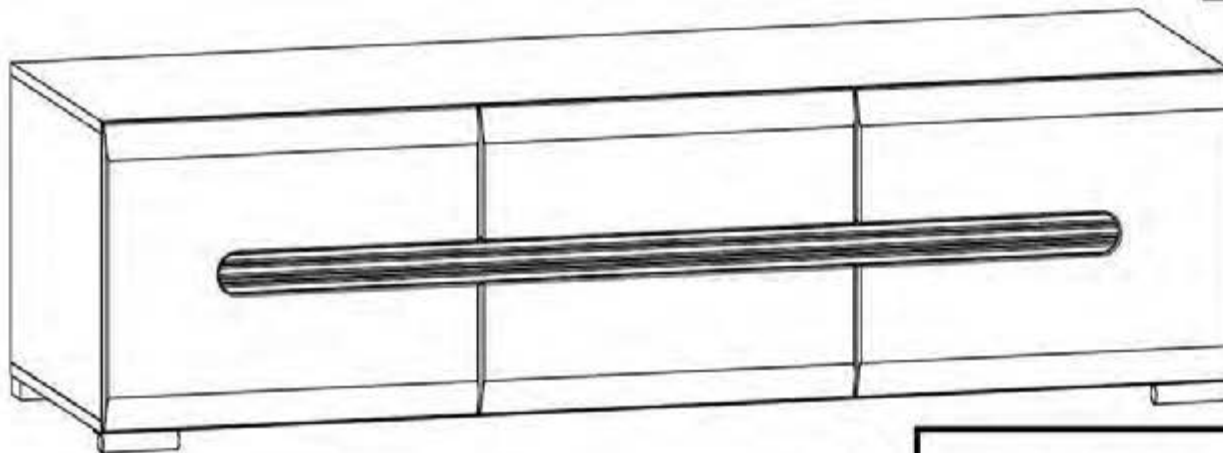
III



7



8



S10

