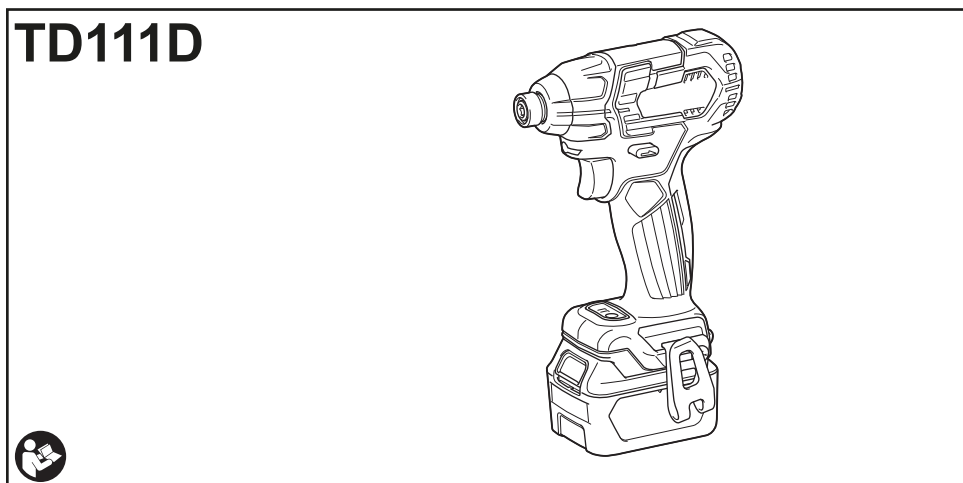




EN	Cordless Impact Driver	INSTRUCTION MANUAL	4
SV	Batteridrivnen slagskruvdragare	BRUKSANVISNING	10
NO	Batteridrevet slagskrutrekker	BRUKSANVISNING	16
FI	Akkukäyttöinen iskuväännin	KÄYTTÖOHJE	22
LV	Bezvada triecienskrūvgriezis	LIETOŠANAS INSTRUKCIJA	28
LT	Belaidis smūginis suktuvas	NAUDOJIMO INSTRUKCIJA	34
ET	Juhtmeta löökkruvikeeraja	KASUTUSJUHEND	40
RU	Аккумуляторный ударный шуруповерт	РУКОВОДСТВО ПО ЭКСПЛУАТАЦИИ	46



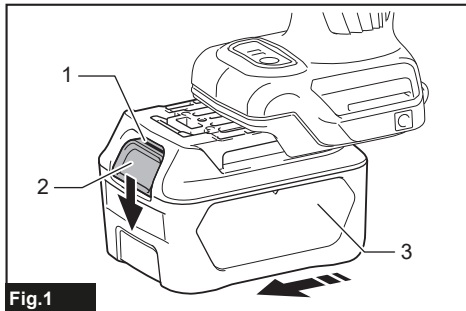


Fig.1

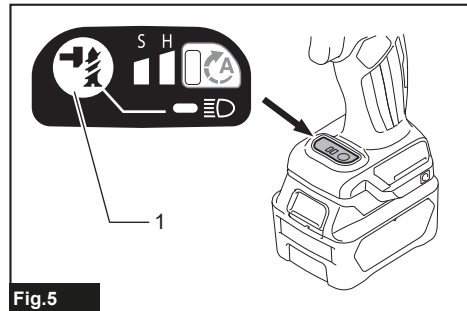


Fig.5

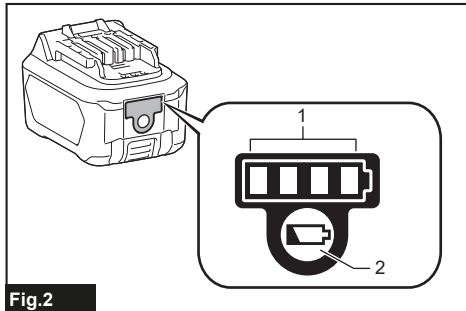


Fig.2

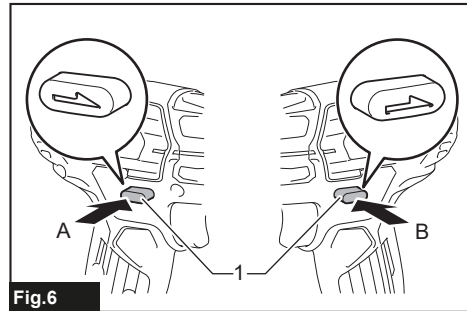


Fig.6

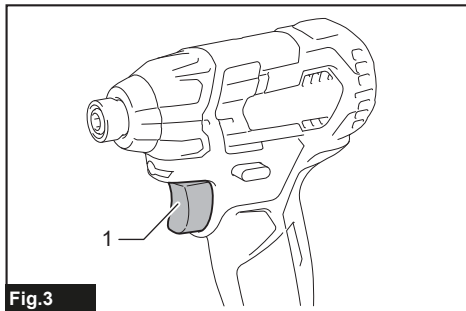


Fig.3

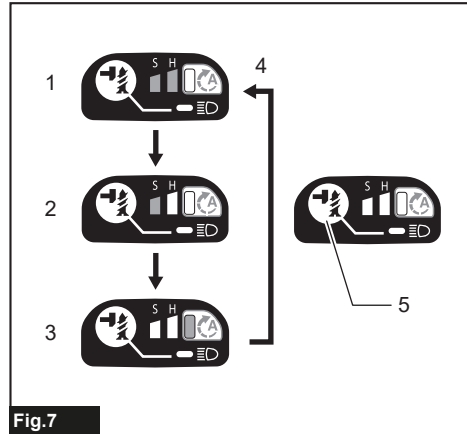


Fig.7

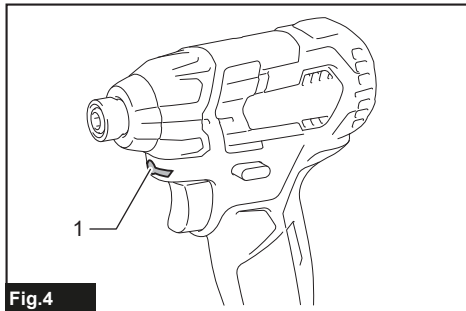


Fig.4

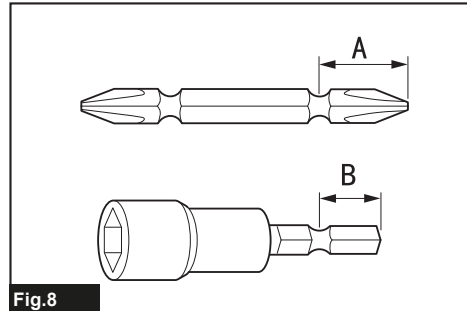


Fig.8

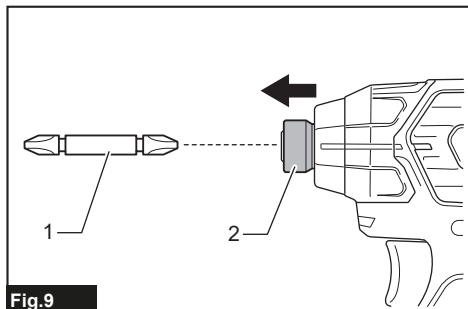


Fig.9

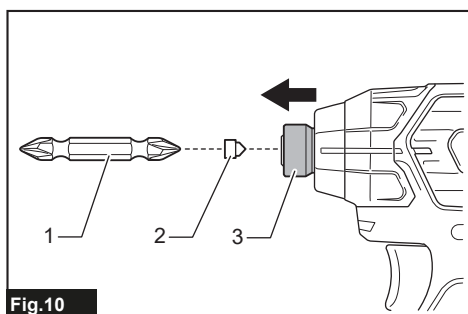


Fig.10

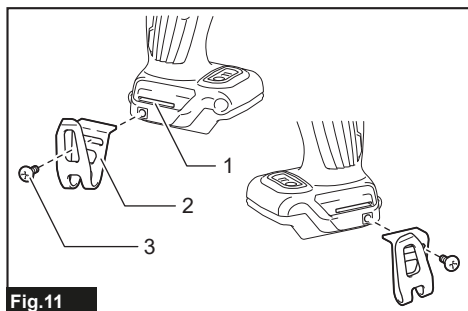


Fig.11

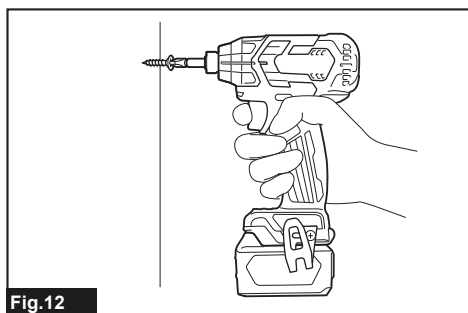


Fig.12

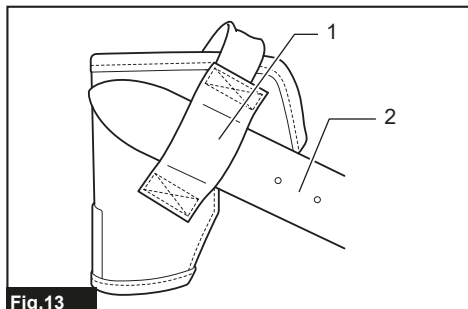


Fig.13

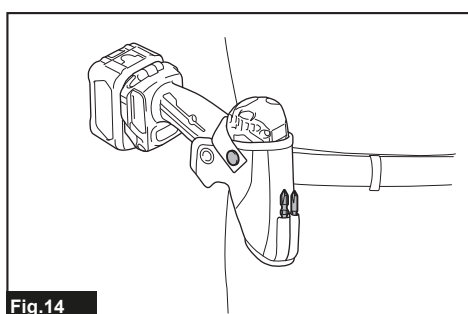


Fig.14

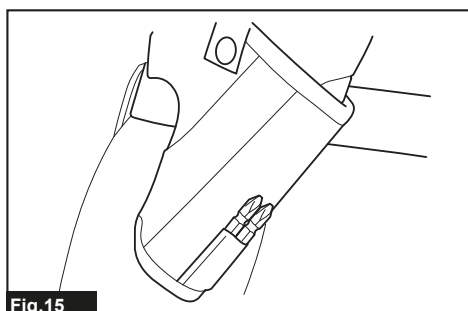


Fig.15

## ENGLISH (Original instructions)

### SPECIFICATIONS

Model:		TD111D	
Fastening capacities	Machine screw	4 mm - 8 mm	
	Standard bolt	5 mm - 14 mm	
	High tensile bolt	5 mm - 12 mm	
No load speed	Hard impact mode	0 - 3,000 min <sup>-1</sup>	
	Soft impact mode	0 - 1,300 min <sup>-1</sup>	
Impacts per minute	Hard impact mode	0 - 3,900 min <sup>-1</sup>	
	Soft impact mode	0 - 1,600 min <sup>-1</sup>	
Rated voltage	D.C. 10.8 V		
Overall length	135 mm		
Battery cartridge	BL1015, BL1020B	BL1040B	
Net weight	0.97 kg	1.1 kg	

- Due to our continuing program of research and development, the specifications herein are subject to change without notice.
- Specifications and battery cartridge may differ from country to country.
- Weight, with battery cartridge, according to EPTA-Procedure 01/2003

#### Intended use

The tool is intended for screw driving in wood, metal and plastic.

#### Noise

The typical A-weighted noise level determined according to EN60745:

Sound pressure level ( $L_{pA}$ ): 94 dB(A)

Sound power level ( $L_{WA}$ ): 105 dB (A)

Uncertainty (K): 3 dB(A)

**⚠ WARNING: Wear ear protection.**

#### Vibration

The vibration total value (tri-axial vector sum) determined according to EN60745:

Work mode: impact tightening of fasteners of the maximum capacity of the tool

Vibration emission ( $a_h$ ): 12.5 m/s<sup>2</sup>

Uncertainty (K): 1.5 m/s<sup>2</sup>

**NOTE:** The declared vibration emission value has been measured in accordance with the standard test method and may be used for comparing one tool with another.

**NOTE:** The declared vibration emission value may also be used in a preliminary assessment of exposure.

**⚠ WARNING:** The vibration emission during actual use of the power tool can differ from the declared emission value depending on the ways in which the tool is used.

**⚠ WARNING:** Be sure to identify safety measures to protect the operator that are based on an estimation of exposure in the actual conditions of use (taking account of all parts of the operating cycle such as the times when the tool is switched off and when it is running idle in addition to the trigger time).

#### EC Declaration of Conformity

*For European countries only*

The EC declaration of conformity is included as Annex A to this instruction manual.

### SAFETY WARNINGS

#### General power tool safety warnings

**⚠ WARNING: Read all safety warnings and all instructions.** Failure to follow the warnings and instructions may result in electric shock, fire and/or serious injury.

#### Save all warnings and instructions for future reference.

The term "power tool" in the warnings refers to your mains-operated (corded) power tool or battery-operated (cordless) power tool.

## Cordless impact driver safety warnings

1. **Hold power tool by insulated gripping surfaces, when performing an operation where the fastener may contact hidden wiring.** Fasteners contacting a "live" wire may make exposed metal parts of the power tool "live" and could give the operator an electric shock.
2. **Always be sure you have a firm footing. Be sure no one is below when using the tool in high locations.**
3. **Hold the tool firmly.**
4. **Wear ear protectors.**
5. **Do not touch the bit or the workpiece immediately after operation. They may be extremely hot and could burn your skin.**
6. **Keep hands away from rotating parts.**

## SAVE THESE INSTRUCTIONS.

**⚠WARNING:** DO NOT let comfort or familiarity with product (gained from repeated use) replace strict adherence to safety rules for the subject product. MISUSE or failure to follow the safety rules stated in this instruction manual may cause serious personal injury.

## Important safety instructions for battery cartridge

1. Before using battery cartridge, read all instructions and cautionary markings on (1) battery charger, (2) battery, and (3) product using battery.
2. Do not disassemble battery cartridge.
3. If operating time has become excessively shorter, stop operating immediately. It may result in a risk of overheating, possible burns and even an explosion.
4. If electrolyte gets into your eyes, rinse them out with clear water and seek medical attention right away. It may result in loss of your eyesight.
5. Do not short the battery cartridge:
  - (1) Do not touch the terminals with any conductive material.
  - (2) Avoid storing battery cartridge in a container with other metal objects such as nails, coins, etc.
  - (3) Do not expose battery cartridge to water or rain.A battery short can cause a large current flow, overheating, possible burns and even a breakdown.
6. Do not store the tool and battery cartridge in locations where the temperature may reach or exceed 50 °C (122 °F).
7. Do not incinerate the battery cartridge even if it is severely damaged or is completely worn out. The battery cartridge can explode in a fire.
8. Be careful not to drop or strike battery.
9. Do not use a damaged battery.
10. The contained lithium-ion batteries are subject to the Dangerous Goods Legislation requirements.

For commercial transports e.g. by third parties, forwarding agents, special requirement on packaging and labeling must be observed.

For preparation of the item being shipped, consulting an expert for hazardous material is required. Please also observe possibly more detailed national regulations. Tape or mask off open contacts and pack up the battery in such a manner that it cannot move around in the packaging.

11. **Follow your local regulations relating to disposal of battery.**

## SAVE THESE INSTRUCTIONS.

**⚠CAUTION:** Only use genuine Makita batteries. Use of non-genuine Makita batteries, or batteries that have been altered, may result in the battery bursting causing fires, personal injury and damage. It will also void the Makita warranty for the Makita tool and charger.

## Tips for maintaining maximum battery life

1. **Charge the battery cartridge before completely discharged. Always stop tool operation and charge the battery cartridge when you notice less tool power.**
2. **Never recharge a fully charged battery cartridge. Overcharging shortens the battery service life.**
3. **Charge the battery cartridge with room temperature at 10 °C - 40 °C (50 °F - 104 °F). Let a hot battery cartridge cool down before charging it.**

## FUNCTIONAL DESCRIPTION

**⚠CAUTION:** Always be sure that the tool is switched off and the battery cartridge is removed before adjusting or checking function on the tool.

## Installing or removing battery cartridge

**⚠CAUTION:** Always switch off the tool before installing or removing of the battery cartridge.

**⚠CAUTION:** Hold the tool and the battery cartridge firmly when installing or removing battery cartridge. Failure to hold the tool and the battery cartridge firmly may cause them to slip off your hands and result in damage to the tool and battery cartridge and a personal injury.

► Fig.1: 1. Red indicator 2. Button 3. Battery cartridge

To remove the battery cartridge, slide it from the tool while sliding the button on the front of the cartridge.

To install the battery cartridge, align the tongue on the battery cartridge with the groove in the housing and slip it into place. Insert it all the way until it locks in place with a little click. If you can see the red indicator on the upper side of the button, it is not locked completely.

**⚠ CAUTION:** Always install the battery cartridge fully until the red indicator cannot be seen. If not, it may accidentally fall out of the tool, causing injury to you or someone around you.

**⚠ CAUTION:** Do not install the battery cartridge forcibly. If the cartridge does not slide in easily, it is not being inserted correctly.

### Battery protection system

The tool is equipped with a battery protection system. This system automatically cuts off power to the motor to extend battery life.

The tool will automatically stop during operation if the tool and/or battery are placed under one of the following conditions:

#### Overloaded:

The tool is operated in a manner that causes it to draw an abnormally high current.

In this situation, turn the tool off and stop the application that caused the tool to become overloaded. Then turn the tool on to restart.

If the tool does not start, the battery is overheated. In this situation, let the battery cool before turning the tool on again.

#### Low battery voltage:

The remaining battery capacity is too low and the tool will not operate. If you turn the tool on, the motor runs again but stops soon. In this situation, remove and recharge the battery.

### Indicating the remaining battery capacity

*Only for battery cartridges with "B" at the end of the model number*

► Fig.2: 1. Indicator lamps 2. Check button

Press the check button on the battery cartridge to indicate the remaining battery capacity. The indicator lamps light up for few seconds.

Indicator lamps		Remaining capacity
Lighted	Off	
■ ■ ■ ■	□	75% to 100%
■ ■ ■ □	□	50% to 75%
■ ■ □ □	□	25% to 50%
■ □ □ □	□	0% to 25%

**NOTE:** Depending on the conditions of use and the ambient temperature, the indication may differ slightly from the actual capacity.

### Switch action

► Fig.3: 1. Switch trigger

**⚠ CAUTION:** Before installing the battery cartridge into the tool, always check to see that the switch trigger actuates properly and returns to the "OFF" position when released.

To start the tool, simply pull the switch trigger. Tool speed is increased by increasing pressure on the switch trigger. Release the switch trigger to stop.

**NOTE:** The tool automatically stops if you keep pulling the switch trigger for about 6 minutes.


### Lighting up the front lamp

**⚠ CAUTION:** Do not look in the light or see the source of light directly.

► Fig.4: 1. Lamp

► Fig.5: 1. Button

Pull the switch trigger to turn on the lamp. To turn off, release it. The lamp goes out approximately 10 seconds after releasing the switch trigger.

To keep the lamp off, turn off the lamp status. To turn off the lamp status, first pull and release the switch trigger. And then press the button  for one second within 10 seconds.

To turn on the lamp status again, press the button again similarly.

**NOTE:** To confirm the lamp status, pull the trigger. When the lamp lights up by pulling the switch trigger, the lamp status is ON. When the lamp does not come on, the lamp status is OFF.

**NOTE:** When the tool is overheated, the light flashes for one minute, and then the LED display goes off. In this case, cool down the tool before operating again.

**NOTE:** Use a dry cloth to wipe the dirt off the lens of the lamp. Be careful not to scratch the lens of lamp, or it may lower the illumination.

### Reversing switch action

► Fig.6: 1. Reversing switch lever

**⚠ CAUTION:** Always check the direction of rotation before operation.

**⚠ CAUTION:** Use the reversing switch only after the tool comes to a complete stop. Changing the direction of rotation before the tool stops may damage the tool.

**⚠ CAUTION:** When not operating the tool, always set the reversing switch lever to the neutral position.

This tool has a reversing switch to change the direction of rotation. Depress the reversing switch lever from the A side for clockwise rotation or from the B side for counterclockwise rotation.

When the reversing switch lever is in the neutral position, the switch trigger cannot be pulled.

## Changing the impact force

► **Fig.7:** 1. Hard 2. Soft 3. A mode 4. Changed in three steps 5. Button

You can change the impact force in three steps: hard, soft, and A mode.




This allows a tightening suitable to the work.

Every time the button is pressed, the number of blows changes in three steps.

“A mode (assist mode)” is an easy-to-use mode for driving screws with good control.

In this mode, the tool drives a screw with low-speed rotation at first. After the tool starts to impact, the rotation speed increases and reaches the maximum speed.

For approximately one minute after releasing the switch trigger, the impact force can be changed.

Impact force grade displayed on panel	Maximum blows	Purpose	Example of application
Hard 	3,900 min <sup>-1</sup> (/min)	Tightening when force and speed are desired.	Tightening wood screws, tightening bolts.
Soft 	1,600 min <sup>-1</sup> (/min)	Tightening with less force to avoid screw thread breakage.	Tightening sash screws, tightening small screws such as M6.
A mode 	3,900 min <sup>-1</sup> (/min)	Tightening screws with better control.	Tightening long screws.

**NOTE:** A mode is available only when the tool rotates clockwise. When rotating counterclockwise in A mode, the impact force and speed are the same as hard mode.

**NOTE:** When all lamps on the switch panel go out, the tool is turned off to save the battery power. The impact force grade can be checked by pulling the switch trigger to the extent that the tool does not operate.

**NOTE:** While pulling the switch trigger, the impact force grade cannot be changed.

## ASSEMBLY

**CAUTION:** Always be sure that the tool is switched off and the battery cartridge is removed before carrying out any work on the tool.

### Installing or removing driver bit/socket bit

#### Optional accessory

► **Fig.8**

Use only driver bit/socket bit that has inserting portion shown in the figure. Do not use any other driver bit/socket bit.

#### For tool with shallow driver bit hole

A=12mm B=9mm	Use only these type of driver bit. Follow the procedure 1. (Note) Bit-piece is not necessary.
-----------------	---

#### For tool with deep driver bit hole

A=17mm B=14mm	To install these types of driver bits, follow the procedure 1.
A=12mm B=9mm	To install these types of driver bits, follow the procedure 2. (Note) Bit-piece is necessary for installing the bit.

- To install the driver bit, pull the sleeve in the direction of the arrow and insert the driver bit into the sleeve as far as it will go.  
Then release the sleeve to secure the driver bit.

► **Fig.9:** 1. Driver bit 2. Sleeve

- To install the driver bit, pull the sleeve in the direction of the arrow and insert the bit-piece and driver bit into the sleeve as far as it will go. The bit-piece should be inserted into the sleeve with its pointed end facing in.  
Then release the sleeve to secure the driver bit.

► **Fig.10:** 1. Driver bit 2. Bit-piece 3. Sleeve

To remove the driver bit, pull the sleeve in the direction of the arrow and pull the driver bit out.

**NOTE:** If the driver bit is not inserted deep enough into the sleeve, the sleeve will not return to its original position and the driver bit will not be secured. In this case, try re-inserting the bit according to the instructions above.

**NOTE:** After inserting the driver bit, make sure that it is firmly secured. If it comes out, do not use it.

### Installing hook

► **Fig.11:** 1. Groove 2. Hook 3. Screw

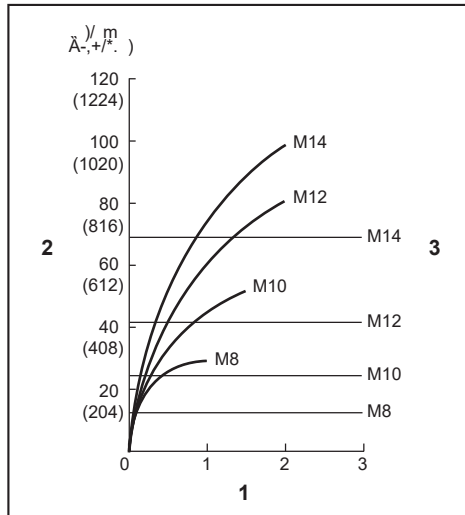
The hook is convenient for temporarily hanging the tool. This can be installed on either side of the tool. To install the hook, insert it into a groove in the tool housing on either side and then secure it with a screw. To remove, loosen the screw and then take it out.

## OPERATION

► Fig.12

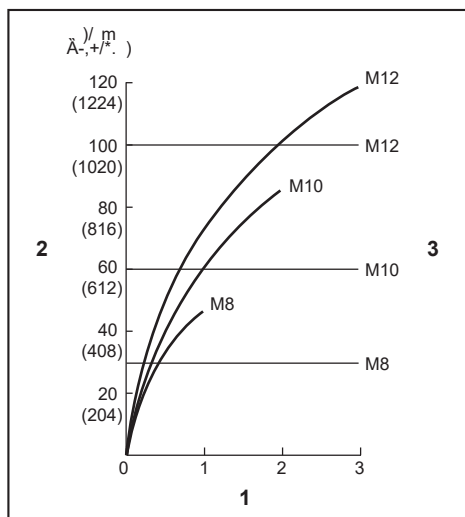
The proper fastening torque may differ depending upon the kind or size of the screw/bolt, the material of the workpiece to be fastened, etc. The relation between fastening torque and fastening time is shown in the figures.

### Standard bolt



1. Fastening time (second) 2. Fastening torque  
3. Proper fastening torque corresponding to each bolt diameter

### High tensile bolt



1. Fastening time (second) 2. Fastening torque  
3. Proper fastening torque corresponding to each bolt diameter

Hold the tool firmly and place the point of the driver bit in the screw head. Apply forward pressure to the tool to the extent that the bit will not slip off the screw and turn the tool on to start operation.

**NOTICE:** If you use a spare battery to continue the operation, rest the tool at least 15 min.

**NOTE:** Use the proper bit for the head of the screw/bolt that you wish to use.

**NOTE:** When fastening M8 or smaller screw, choose a proper impact force and carefully adjust pressure on the switch trigger so that the screw is not damaged.

**NOTE:** Hold the tool pointed straight at the screw.

**NOTE:** If the impact force is too strong or you tighten the screw for a time longer than shown in the figures, the screw or the point of the driver bit may be over-stressed, stripped, damaged, etc. Before starting your job, always perform a test operation to determine the proper fastening time for your screw.

The fastening torque is affected by a wide variety of factors including the following. After fastening, always check the torque with a torque wrench.

- When the battery cartridge is discharged almost completely, voltage will drop and the fastening torque will be reduced.
- Driver bit or socket bit  
Failure to use the correct size driver bit or socket bit will cause a reduction in the fastening torque.
- Bolt
  - Even though the torque coefficient and the class of bolt are the same, the proper fastening torque will differ according to the diameter of bolt.
  - Even though the diameters of bolts are the same, the proper fastening torque will differ according to the torque coefficient, the class of bolt and the bolt length.
- The manner of holding the tool or the material of driving position to be fastened will affect the torque.
- Operating the tool at low speed will cause a reduction in the fastening torque.

## Using holster

### Optional accessory

**CAUTION:** When using the holster, remove a driver bit/drill bit from the tool.

**CAUTION:** Turn off the tool and wait until it comes to a complete stop before placing it in the holster.

Be sure to close the holster securely with the holster button so that it holds the tool firmly.

- Thread a waist belt or similar through holster holder.

► Fig.13: 1. Holster holder 2. Waist belt

- Put the tool in the holster and lock it with the holster button.

► Fig.14

► Fig.15

You can keep two driver bits at the front of the holster.



## MAINTENANCE

**⚠ CAUTION:** Always be sure that the tool is switched off and the battery cartridge is removed before attempting to perform inspection or maintenance.

**NOTICE:** Never use gasoline, benzine, thinner, alcohol or the like. Discoloration, deformation or cracks may result.

To maintain product SAFETY and RELIABILITY, repairs, any other maintenance or adjustment should be performed by Makita Authorized or Factory Service Centers, always using Makita replacement parts.

## OPTIONAL ACCESSORIES

**⚠ CAUTION:** These accessories or attachments are recommended for use with your Makita tool specified in this manual. The use of any other accessories or attachments might present a risk of injury to persons. Only use accessory or attachment for its stated purpose.

If you need any assistance for more details regarding these accessories, ask your local Makita Service Center.

- Driver bits
- Socket bits
- Bit piece
- Holster
- Hook
- Plastic carrying case
- Makita genuine battery and charger

**NOTE:** Some items in the list may be included in the tool package as standard accessories. They may differ from country to country.

## SVENSKA (Originalinstruktioner)

### SPECIFIKATIONER

Modell:		TD111D
Åtdragningskapaciteter	Maskinskruv	4 mm - 8 mm
	Standardbult	5 mm - 14 mm
	Höghållfasta bultar	5 mm - 12 mm
Hastighet utan belastning	Hård slagstyrka	0-3 000 min <sup>-1</sup>
	Mjuk slagstyrka	0-1 300 min <sup>-1</sup>
Slag per minut	Hård slagstyrka	0-3 900 min <sup>-1</sup>
	Mjuk slagstyrka	0-1 600 min <sup>-1</sup>
Märkspänning	10,8 V likström	
Total längd	135 mm	
Batterikassett	BL1015, BL1020B	BL1040B
Nettovikt	0,97 kg	1,1 kg

- På grund av vårt pågående program för forskning och utveckling kan dessa specifikationer ändras utan föregående meddelande.
- Specifikationer och batterikassett kan variera mellan olika länder.
- Vikt, med batterikassett, i enlighet med EPTA-procedure 01/2003

#### Avsedd användning

Verktyget är avsett för skruvdragning i trä, metall och plast.

#### Buller

Den normala bullernivån för A-belastning är bestämd enligt EN60745:

Ljudtrycksnivå ( $L_{pA}$ ): 94 dB (A)  
Ljudeffektnivå ( $L_{WA}$ ): 105 dB (A)  
Måttolerans (K): 3 dB (A)

**⚠ VARNING:** Använd hörselskydd.

#### Vibration

Det totala vibrationsvärdet (treaxlad vektorsumma) bestämt enligt EN60745:

Arbetsläge: maskinens maximala kapacitet för slagåtdragning  
Vibrationsemission ( $a_h$ ): 12,5 m/s<sup>2</sup>  
Måttolerans (K): 1,5 m/s<sup>2</sup>

**OBS:** Det deklarerade vibrationsemissionsvärdet har uppmätts i enlighet med standardtestmetoden och kan användas för att jämföra en maskin med en annan.

**OBS:** Det deklarerade vibrationsemissionsvärdet kan också användas i en preliminär bedömning av exponering för vibration.

**⚠ VARNING:** Vibrationsemissionen under faktisk användning av maskinen kan skilja sig från det deklarerade emissionsvärdet, beroende på hur maskinen används.

**⚠ VARNING:** Var noga med att identifiera säkerhetsåtgärder för att skydda användaren, vilka är grundade på en uppskattning av graden av exponering för vibrationer under de faktiska användningsförhållandena, (ta, förutom avtryckartiden, med alla delar av användarcykeln i beräkningen, som till exempel tiden då maskinen är avstängd och när den går på tomgång).

#### EG-försäkran om överensstämmelse

*Gäller endast inom EU*

EG-försäkran om överensstämmelse inkluderas som bilaga A till denna bruksanvisning.

### SÄKERHETSVARNINGAR

#### Allmänna säkerhetsvarningar för maskiner

**⚠ VARNING:** Läs igenom alla säkerhetsvarningar och anvisningar. Underlåtenhet att följa varningar och instruktioner kan leda till elstötar, brand och/eller allvarliga personskador.

#### Spara alla varningar och instruktioner för framtida referens.

Termen "maskin" som anges i varningarna hänvisar till din eldrivna maskin (sladdansluten) eller batteridrivna maskin (sladdlös).

## Säkerhetsvarningar för batteridrivna slagskruvdragare

1. Håll maskinen i de isolerade handtagen om det finns risk för att skruvdragaren kan komma i kontakt med en dold elkabel. Skruvdragare som kommer i kontakt med en "strömförande" kabel kan få sina blottlagda metalldelar "strömförande", vilket kan ge användaren en elektrisk stöt.
2. Se till att alltid ha ordentligt fötäfte. Se till att ingen står under dig när maskinen används på hög höjd.
3. Håll stadigt i maskinen.
4. Använd hörselskydd.
5. Rör inte bits eller arbetsstycket direkt efter arbetet. De kan vara extremt varma och kan orsaka brännskador.
6. Håll händerna på avstånd från roterande delar.

## SPARA DESSA ANVISNINGAR.

**⚠ VARNING:** GLÖM INTE att också fortsättningsvis strikt följa säkerhetsanvisningarna för maskinen även efter att du blivit van att använda den.

Vid FELAKTIG HANTERING av maskinen eller om inte säkerhetsanvisningarna i denna bruksanvisning följs kan följden bli allvarliga personskador.

## Viktiga säkerhetsanvisningar för batterikassetten

1. Innan batterikassetten används ska alla instruktioner och varningsmärken på (1) batteriladdaren, (2) batteriet och (3) produkten läsas.
2. Montera inte isär batterikassetten.
3. Om drifttiden blivit avsevärt kortare ska användningen avbrytas omedelbart. Det kan uppstå överhettning, brännskador och t o m en explosion.
4. Om du får elektrolyt i ögonen ska de sköljas med rent vatten och läkare uppsökas omedelbart. Det finns risk för att synen förloras.
5. Kortslut inte batterikassetten.
  - (1) Rör inte vid polerna med något strömförande material.
  - (2) Undvik att förvara batterikassetten tillsammans med andra metallobjekt som t.ex. spikar, mynt o.s.v.
  - (3) Skydda batteriet mot vatten och regn. En batterikortslutning kan orsaka ett stort strömflöde, överhettning, brand och maskinhaveri.
6. Förvara inte maskinen och batterikassetten på platser där temperaturen kan nå eller överstiga 50 °C.
7. Bränn inte upp batterikassetten även om den är svårt skadad eller helt utsliten. Batterikassetten kan explodera i öppen eld.
8. Var försiktig så att du inte råkar tappa batteriet och utsätt det inte för stötar.
9. Använd inte ett skadat batteri.

10. De medföljande litiumjonbatterierna är föremål för kraven i gällande lagstiftning för farligt gods. För kommersiella transporter (av t.ex. tredje parter som speditorsfirmor) måste de särskilda transportkrav som anges på emballaget och etiketter iakttas. För att förbereda den produkt som ska avsändas krävs att du konsulterar en expert på riskmaterial. Var också uppmärksam på att det i ditt land kan finnas ytterligare föreskrifter att följa. Tejpa över eller maskera blottade kontakter och packa batteriet på sådant sätt att det inte kan röra sig fritt i förpackningen.
11. Följ lokala föreskrifter beträffande avfallshandling av batteriet.

## SPARA DESSA ANVISNINGAR.

**⚠ FÖRSIKTIGT:** Använda endast äkta Makita-batterier. Användning av oäkta Makita-batterier eller batterier som har manipulerats kan leda till person- och utrustningsskador eller till att batteriet fattar eld. Det upphäver också Makitas garanti för verktyget och laddaren.

## Tips för att uppnå batteriets maximala livslängd

1. Ladda batterikassetten innan den är helt urladdad. Stanna alltid maskinen och ladda batterikassetten när du märker att maskinen blir svagare.
2. Ladda aldrig en fulladdad batterikasset. Överladdning förkortar batteriets livslängd.
3. Ladda batterikassetten vid en rumstemperatur på 10 °C - 40 °C. Låt en varm batterikasset svalna innan den laddas.

## FUNKTIONSBESKRIVNING

**⚠ FÖRSIKTIGT:** Se alltid till att maskinen är avstängd och batterikassetten borttagen innan du justerar maskinen eller kontrollerar dess funktioner.

## Montera eller demontera batterikassetten

**⚠ FÖRSIKTIGT:** Stäng alltid av maskinen innan du monterar eller tar bort batterikassetten.

**⚠ FÖRSIKTIGT:** Håll stadigt i maskinen och batterikassetten när du monterar eller tar bort batterikassetten. I annat fall kan det leda till att de glider ur dina händer och orsakar skada på maskinen och batterikassetten samt personskada.

► Fig.1: 1. Röd indikator 2. Knapp 3. Batterikasset

Ta bort batterikassetten genom att skjuta ner knappen på kassetens framsida samtidigt som du drar ut batterikassetten.

Sätt i batterikassetten genom att rikta in tungan på batterikassetten mot spåret i höljet och skjut den på plats. Tryck in batterikassetten ordentligt tills den låser fast med ett klick. Om du kan se den röda indikatorn på knappens ovansida är den inte låst ordentligt.

**⚠ FÖRSIKTIGT:** Sätt alltid i batterikassetten helt tills den röda indikatorn inte längre syns. I annat fall kan den oväntat falla ur maskinen och skada dig eller någon annan.

**⚠ FÖRSIKTIGT:** Montera inte batterikassetten med våld. Om kassetten inte lätt glider på plats är den felinsatt.

### Skyddssystem för batteri

Maskinen är utrustad med ett batteriskyddssystem. Detta system bryter automatiskt strömmen till motorn för att förlänga batteriets livslängd.

Maskinen stoppas automatiskt under pågående användning om någon av följande situationer uppstår:

#### Överbelastning:

Maskinen används på ett sätt som gör att den förbrukar onormalt mycket ström.

När detta sker stänger du av maskinen och upphör med arbetet som gjorde att maskinen överbelastades. Starta därefter upp maskinen igen.

Om maskinen inte startar är batteriet överhettat. Låt då batteriet svalna innan du startar maskinen igen.

#### Batterispänningen faller:

Den kvarvarande batterikapaciteten är för låg och maskinen fungerar inte. Om du trycker in avtryckaren går motorn igång men stannar snart igen. I detta läge tar du bort batteriet och laddar det.

### Indikerar kvarvarande batterikapacitet

**Gäller endast för batterikassetter med ett "B" på slutet i modellnumret**

► **Fig.2:** 1. Indikatorlampor 2. Kontrollknapp

Tryck på kontrollknappen på batterikassetten för att se kvarvarande batterikapacitet. Indikatorlamporna lyser i ett par sekunder.

Indikatorlampor		Återstående kapacitet
Upplyst	Av	
■ ■ ■ ■	□	75% till 100%
■ ■ ■ □	□	50% till 75%
■ ■ □ □	□ □	25% till 50%
■ □ □ □	□ □ □ □	0% till 25%

**OBS:** Beroende på användningsförhållanden och den omgivande temperaturen kan indikationen skilja sig lätt från den faktiska batterikapaciteten.

### Avtryckarens funktion

► **Fig.3:** 1. Avtryckare

**⚠ FÖRSIKTIGT:** Innan du sätter i batterikassetten i maskinen ska du kontrollera att avtryckaren fungerar och återgår till läget "OFF" när du släpper den.

Tryck in avtryckaren för att starta maskinen. Hastigheten ökas genom att trycka hårdare på avtryckaren. Släpp avtryckaren för att stoppa maskinen.

**OBS:** Verktøget stannar automatiskt om du håller in avtryckaren i ca 6 minuter.


### Tända frontlampan

**⚠ FÖRSIKTIGT:** Titta inte in i ljuset eller direkt i ljuskällan.

► **Fig.4:** 1. Lampa

► **Fig.5:** 1. Knapp

Tryck på avtryckaren för att tända lampan. Stäng av den genom att släppa avtryckaren. Lampan slocknar ungefär 10 sekunder efter att du har släppt avtryckaren.

Stäng av lampstatusen om du vill att lampan ska förbli släckt. Du stänger av lampstatusen genom att först trycka in och släppa upp avtryckaren. Därefter håller du in knappen  i en sekund inom 10 sekunder.

Tryck på knappen på samma sätt igen för att slå på lampstatusen igen.

**OBS:** Tryck in avtryckaren för att bekräfta lampstatusen. När lampan tänds på grund av att avtryckaren trycks in är lampstatusen i läget ON. När lampan inte tänds är lampstatusen i läget OFF.

**OBS:** När verktyget överhettas blinkar lampan i en minut, varpå LED-skärmen stängs av. I detta fall låter du verktyget svalna innan du använder det igen.

**OBS:** Använd en torr trasa för att torka bort smuts från lampglaset. Var försiktig så att inte lampglaset repas eftersom ljuset då kan bli svagare.

### Reverseringsspakens funktion

► **Fig.6:** 1. Reverseringsspak

**⚠ FÖRSIKTIGT:** Kontrollera alltid rotationsriktningen före användning.

**⚠ FÖRSIKTIGT:** Använd endast reverseringsknappen när maskinen har stoppat helt. Maskinen kan skadas om du byter rotationsriktning medan den fortfarande roterar.

**⚠ FÖRSIKTIGT:** Ställ alltid in reverseringsspaken i neutralt läge när du inte använder maskinen.

Denna maskin har en reverseringsknapp för byte av rotationsriktning. Tryck in reverseringsspaken från sida A för medurs rotation och från sida B för moturs rotation. När reverseringsspaken är i neutralt läge fungerar inte avtryckaren.

## Ändra slagstyrka


► **Fig.7:** 1. Hård 2. Mjuk 3. Läge A 4. Ändras i tre steg 5. Knapp

Du kan ändra slagkraften i tre steg: hårt, mjukt och läge A. Detta möjliggör en passande åtdragning för arbetet. Varje gång som knappen trycks in ändras antalet slag i tre steg. "A-läge (assistsläge)" är ett användarvänligt läge för

att skruva med full kontroll.

I detta läge driver verktyget till en början i skruvar vid låg rotationshastighet. När verktyget känner ett motstånd ökar rotationshastigheten tills verktyget når sin maximala hastighet.

Ungefär en minut efter det att avtryckaren har släppts kan slagstyrkan ändras.

Grad av slagstyrka som visas på panelen	Maximalt antal slag	Ändamål	Exempel på tillämpning
Hård 	3 900 min <sup>-1</sup> (/min)	Åtdragning när kraft och hastighet önskas.	Åtdragning av träskruvar och bultar.
Mjuk 	1 600 min <sup>-1</sup> (/min)	Åtdragning med låg kraft för att undvika skador på skruvgångar.	Åtdragning av innanfönerskruvar, åtdragning av små skruvar som t.ex. M6.
A-läge 	3 900 min <sup>-1</sup> (/min)	Drar åt skruvar med bättre kontroll.	Drar åt långa skruvar.

**OBS:** Läge A är endast tillgängligt när verktyget roterar medurs. Vid rotation moturs i läge A är slagkraften och hastigheten samma som i hårt läge.

**OBS:** När alla lampor på växelpanelen släckts stängs verktyget av för att spara batteriet. Graden av slagstyrka kan kontrolleras genom att trycka in avtryckaren så pass mycket att verktyget inte börjar arbeta.

**OBS:** När avtryckaren är aktiverad kan inte nivån för slagstyrkan ändras.

## MONTERING

**⚠FÖRSIKTIGT:** Se alltid till att maskinen är avstängd och batterikassetten borttagen innan du underhåller maskinen.

### Montering eller demontering av skruvbits eller hylsbits

**Valfria tillbehör**

► **Fig.8**

Använd endast skruvbits/hylsbits som har en isättande del enligt vad som visas i figuren. Använd inga andra bits.

**För verktyg med grunt skruvbitshål**

A = 12 mm B = 9 mm	Använd endast dessa typer av borrbits. Följ procedur 1. OBS! Bitsfäste är inte nödvändigt.
-----------------------	--

**För verktyg med djupt borrbitshål**

A = 17 mm B = 14 mm	För att montera dessa typer av skruvbits följer du procedur 1.
A = 12 mm B = 9 mm	För att montera dessa typer av skruvbits följer du procedur 2. OBS! Bitsfäste är nödvändigt för att installera bitset.

1. Montera skruvbitset genom att dra hylsan i pilens riktning och sätt i bitset i hylsan så långt det går. Släpp sedan hylsan för att fästa borrbitset.

► **Fig.9:** 1. Skruvbits 2. Hylsa

2. Dra hylsan i pilens riktning för att montera skruvbitset, och sätt i bitsfästet och skruvbitset i hylsan så långt det går. Bitsfästet ska föras in i hylsan med sin spetsiga ände vänd inåt. Släpp sedan hylsan för att fästa skruvbitset.

► **Fig.10:** 1. Skruvbits 2. Bitsfäste 3. Hylsa

Ta ut bitset genom att dra hylsan i pilens riktning och dra ut skruvbitset.

**OBS:** Om skruvbitset inte är isatt djupt nog i hylsan kommer inte hylsan att gå tillbaka till sitt ursprungliga läge och skruvbitset fästs inte. Försök då att sätta i bitset på nytt enligt instruktionerna ovan.

**OBS:** Efter att skruvbitset är isatt kontrollerar du att det är ordentligt fastskruvat. Om det åker ut ska du inte använda det.

### Monteringskrok

► **Fig.11:** 1. Spår 2. Krok 3. Skruv

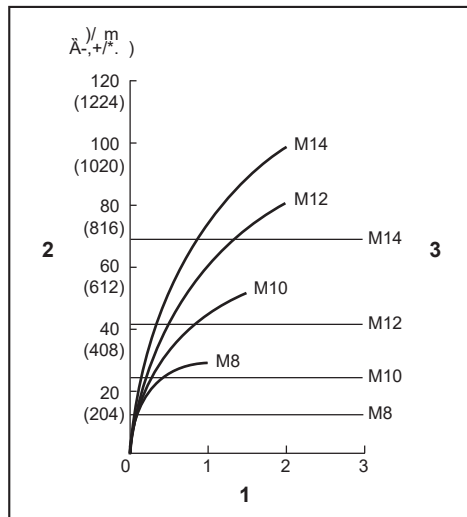
Haken kan användas när du vill hänga upp verktyget temporärt. Den kan monteras på båda sidorna av maskinen. För att montera kroken sätter du i den i ett spår i maskinhuset på endera sida och drar fast den med en skruv. Ta bort kroken genom att skruva loss skruven.

## ANVÄNDNING

► Fig.12

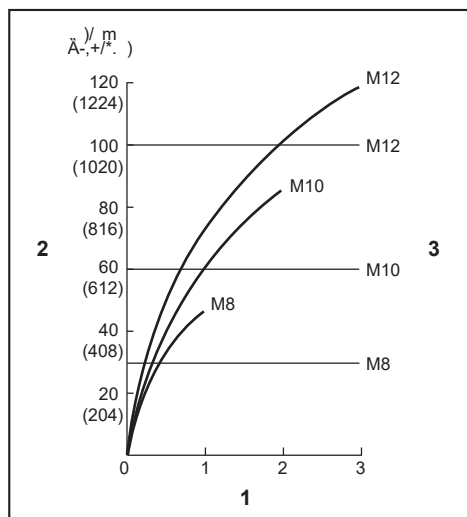
Det korrekta åtdragningsmomentet för det som ska fästas kan variera beroende på skruvens/bultens typ eller storlek, arbetsstyckets material m.m. Sambandet mellan åtdragningsmomentet och åtdragningstiden visas i figurerna.

### Standardbult



1. Åtdragnings-tid (sekunder) 2. Åtdragningsmoment 3. Korrekt åtdragningsmoment motsvarande varje skruvdiameter

### Höghållfasta bultar



1. Åtdragnings-tid (sekunder) 2. Åtdragningsmoment 3. Korrekt åtdragningsmoment motsvarande varje skruvdiameter

Håll i maskinen stadigt och placera spetsen på skruvbitset i skruvhuvudet. Tryck maskinen framåt så att bitset inte halkar av skruven och starta maskinen.

**OBSERVERA:** Om du använder ett reservbatteri för att fortsätta med arbetet ska maskinen först vila i minst 15 minuter.

**OBS:** Använd korrekt bits för det skruv-/bult huvud som du vill använda.

**OBS:** När du sätter fast en M8-skruv eller mindre skruv ska du välja en passande slagstyrka och försiktigt justera trycket på avtryckaren så att skruven inte skadas.

**OBS:** Håll maskinen så att den pekar rakt på skruven.

**OBS:** Om slagstyrkan är för stor dras skruven åt under längre tid än vad som visas i figurerna. Skruven eller spetsen på bitset kan överbelastas, skadas, gängning bli förstörd osv. Innan du påbörjar ett arbete ska du alltid göra ett test för att bestämma den korrekta åtdragnings-tiden för skruven.

Åtdragningsmomentet påverkas av en mängd olika faktorer, däribland: Kontrollera alltid åtdragningen med en momentnyckel efter fästsättningen.

1. När batterikassetten är nästan helt urladdad kommer spänningen att falla och åtdragningsmomentet att minska.
2. Skruvbits eller hylsbits  
Åtdragningsmomentet försämras om inte rätt storlek används på skruvbits eller hylsbits.
3. Bult
  - Även om momentkoefficienten och bultklassen är samma beror det korrekta åtdragningsmomentet på bultens diameter.
  - Även om bultarnas diameter är samma kommer det korrekta åtdragningsmomentet att skilja sig åt i enlighet med momentkoefficienten, bultklassen och bultens längd.
4. Momentet påverkas även av fästmaterialet eller hur maskinen hålls.
5. Ommaskinen används med låg hastighet minskar åtdragningsmomentet.

## Användning av hölster

### Valfria tillbehör

**⚠ FÖRSIKTIGT:** Ta bort skruvbits/borr från verktyget när du använder ett hölster.

**⚠ FÖRSIKTIGT:** Stäng av maskinen och vänta tills den stannar helt innan du placerar den i hölstret. Kontrollera att hölstret låsts fast ordentligt med hölsterknappen så att det håller maskinen stadigt på plats.

1. Trä ett midjebälte eller liknande genom hållaren i hölstret.

► Fig.13: 1. Hölstrets hållare 2. Midjebälte

2. Sätt maskinen i hölstret och lås fast den med hölsterknappen.

► Fig.14

► Fig.15

Du kan förvara två skruvbits framtill i hölstret.

## UNDERHÅLL

**⚠ FÖRSIKTIGT:** Se alltid till att maskinen är avstängd och batterikassetten borttagen innan inspektion eller underhåll utförs.

**OBSERVERA:** Använd inte bensin, förtunningsmedel, alkohol eller liknande. Missfärgning, deformation eller sprickor kan uppstå.

För att upprätthålla produktens SÄKERHET och TILLFÖRLITLIGHET bör allt underhålls- och justeringsarbete utföras av ett auktoriserat Makita servicecenter och med reservdelar från Makita.

## VALFRIA TILLBEHÖR

**⚠ FÖRSIKTIGT:** Följande tillbehör eller tillsatser rekommenderas för användning med den Makita-maskin som denna bruksanvisning avser. Om andra tillbehör eller tillsatser används kan det uppstå risk för personskador. Använd endast tillbehören eller tillsatserna för de syften de är avsedda för.

Kontakta ditt lokala Makita servicecenter om du behöver ytterligare information om dessa tillbehör.

- Skruvbits
- Hylsbits
- Bitsfäste
- Hölster
- Krok
- Förvaringsväska av plast
- Makitas originalbatteri och -laddare

**OBS:** Några av tillbehören i listan kan vara inkluderade i maskinpaketet som standardtillbehör. De kan variera mellan olika länder.

## NORSK (Originalinstruksjoner)

### TEKNISKE DATA

Modell:		TD111D
Festekapasitet	Maskinskrue	4 mm - 8 mm
	Standardskrue	5 mm - 14 mm
	Høyfast skrue	5 mm - 12 mm
Hastighet uten belastning	Hard slagstyrke	0 - 3 000 min <sup>-1</sup>
	Myk slagstyrke	0 - 1 300 min <sup>-1</sup>
Slag per minutt	Hard slagstyrke	0 - 3 900 min <sup>-1</sup>
	Myk slagstyrke	0 - 1 600 min <sup>-1</sup>
Nominell spenning	DC 10,8 V	
Total lengde	135 mm	
Batteriinnsett	BL1015, BL1020B	BL1040B
Nettovekt	0,97 kg	1,1 kg

- På grunn av vårt kontinuerlige forsknings- og utviklingsprogram kan spesifikasjonene som oppgis i dette dokumentet endres uten varsel.
- Spesifikasjoner og batteriinnsett kan variere fra land til land.
- Vekt, med batteriinnsett, i henhold til EPTA-prosedyre 01/2003

#### Riktig bruk

Maskinen er beregnet til skruing i tre, metall og plast.

#### Støy

Typisk A-vektet lydtrykknivå er bestemt i henhold til EN60745:

Lydtrykknivå (L<sub>PA</sub>): 94 dB (A)  
Lydeffektnivå (L<sub>WA</sub>): 105 dB (A)  
Usikkerhet (K): 3 dB (A)

**⚠ ADVARSEL:** Bruk hørselsvern.

#### Vibrasjoner

Den totale vibrasjonsverdien (triaksial vektorsum) bestemt i henhold EN60745:

Arbeidsmodus: slagstramming av festemidler med maskinens maksimale kapasitet  
Genererte vibrasjoner (a<sub>h</sub>): 12,5 m/s<sup>2</sup>  
Usikkerhet (K): 1,5 m/s<sup>2</sup>

**MERK:** Den angitte verdien for de genererte vibrasjonene er målt i samsvar med standardtestmetoden og kan brukes til å sammenlikne et verktøy med et annet.

**MERK:** Den angitte verdien for de genererte vibrasjonene kan også brukes til en foreløpig vurdering av eksponeringen.

**⚠ ADVARSEL:** De genererte vibrasjonene ved faktisk bruk av elektroverktøyet kan avvike fra den angitte vibrasjonsverdien, avhengig av hvordan verktøyet brukes.

**⚠ ADVARSEL:** Sørg for å identifisere vernetiltak for å beskytte operatøren, som er basert på et estimat av eksponeringen under de faktiske bruksforholdene (idet det tas hensyn til alle deler av driftssyklusen, dvs. hvor lenge verktøyet er slått av, hvor lenge det går på tomgang og hvor lenge startbryteren faktisk holdes trykket).

#### EFs samsvarserklæring

*Gjelder kun for land i Europa*

EFs samsvarserklæring er lagt til som vedlegg A i denne bruksanvisningen.

### SIKKERHETSADVARSEL

#### Generelle advarsler angående sikkerhet for elektroverktøy

**⚠ ADVARSEL:** Les alle sikkerhetsadvarslene og alle instruksjonene. Hvis du ikke følger alle advarslene og instruksjonene som er oppført nedenfor, kan det føre til elektriske støt, brann og/eller alvorlige helseskader.

#### Oppbevar alle advarsler og instruksjoner for senere bruk.

Uttrykket «elektrisk verktøy» i advarslene refererer både til elektriske verktøy (med ledning) tilkoblet strømmettet, og batteridrevne verktøy (uten ledning).

#### Sikkerhetsanvisninger for batteridrevet slagtrekker

1. **Hold maskinen i det isolerte håndtaket når festemidlet kan komme i kontakt med skjulte ledninger under arbeidet.** Hvis skruer eller bolter kommer i kontakt med en «strømførende» ledning, kan metalldelene på det elektriske verktøyet bli «strømførende» og føre til at brukeren får støt.
2. **Pass på at du har godt fotfeste.** Forviss deg om at ingen står under deg når du jobber høyt over bakken.



3. Hold godt fast i verktøyet.
4. Bruk hørselsvern.
5. Du må ikke berøre bitset eller arbeidsstykket umiddelbart etter at arbeidet er utført. Disse kan være ekstremt varme og vil kunne forårsake brannskader.
6. Hold hendene unna roterende deler.

## TA VARE PÅ DISSE INSTRUKSENE.

**⚠ADVARSEL:** IKKE LA hensynet til hva som er "behagelig" eller det faktum at du kjenner produktet godt (etter mange gangers bruk) gjøre deg mindre oppmerksom på sikkerhetsreglene for bruken av det aktuelle produktet. Ved MISBRUK eller hvis ikke sikkerhetsreglene i denne bruksanvisningen følges, kan det oppstå alvorlig personskade.

### Viktige sikkerhetsanvisninger for batteriinnsett

1. Før du begynner å bruke batteriet, må du lese alle anvisninger og forsiktighetsregler på (1) batteriladeren, (2) batteriet og (3) det produktet batteriet skal brukes i.
2. Ikke ta fra hverandre batteriet.
3. Hvis driftstiden er blitt vesentlig kortere, må du omgående slutte å bruke maskinen. Hvis ikke kan resultatet bli overoppheting, mulige forbrenninger eller til og med en eksplosjon.
4. Hvis du får elektrolytt i øynene, må du skylle dem med store mengder rennende vann og oppsøke lege med én gang. Denne typen uhell kan føre til varig blindhet.
5. Ikke kortslutt batteriet:
  - (1) De kan være ekstremt varme og du kan brenne deg.
  - (2) Ikke lagre batteriet i samme beholder som andre metallgjenstander, som for eksempel spiker, mynter osv.
  - (3) Ikke la batteriet komme i kontakt med vann eller regn.

En kortslutning av batteriet kan føre til et kraftig strømstøt, overoppheting, mulige forbrenninger og til og med til at batteriet går i stykker.
6. Ikke lagre maskinen og batteriet på steder hvor temperaturen kan komme opp i eller overskride 50 °C.
7. Ikke sett fyr på batteriet, ikke engang om det er sterkt skadet eller helt utslitt. Batteriet kan eksplodere hvis det begynner å brenne.
8. Vær forsiktig så du ikke mister batteriet eller utsetter det for slag.
9. Ikke bruk batterier som er skadet.
10. Lithium-ion-batteriener som medfølger er gjenstand for krav om spesialavfall. For kommersiell transport, f.eks av tredjeparter eller speditorer, må spesielle krav om pakking og merking følges. Før varen blir sendt, må du forhøre deg med en ekspert på farlig materiale. Ta også hensyn til muligheten for mer detaljerte nasjonale bestemmelser. Bruk teip eller maskeringsteip for å skjule åpne kontakter og pakk inn batteriet på en slik måte at den ikke kan bevege seg rundt i emballasjen.

11. Følg lokale bestemmelser for avhending av batterier.

## TA VARE PÅ DISSE INSTRUKSENE.

**⚠FORSIKTIG:** Bruk kun originale Makita-batterier. Bruk av batterier som har endret seg, eller som ikke er originale Makita-batterier, kan føre til at batteriet sprekker og forårsaker brann, personskader og andre skader. Det vil også ugyldiggjøre garantien for Makita-verktøyet og -laderen.

## Tips for å opprettholde maksimal batterilevetid

1. Lad batteriinnsett før den er helt utladet. Stopp alltid driften av verktøyet og lad batteriinnsett når du merker at effekten reduseres.
2. Lad aldri en batteriinnsett som er fulladet. Overopplading forkorter batteriets levetid.
3. Lad batteriet i romtemperatur ved 10 °C - 40 °C. Et varmt batteri må kjøles ned før lading.

## FUNKSJONSBEKRIVELSE

**⚠FORSIKTIG:** Forviss deg alltid om at maskinen er slått av og batteriet tatt ut før du justerer maskinen eller kontrollerer dens mekaniske funksjoner.

### Sette inn eller ta ut batteri

**⚠FORSIKTIG:** Slå alltid av verktøyet før du setter inn eller fjerner batteriet.

**⚠FORSIKTIG:** Hold verktøyet og batteripatronen i et fast grep når du monterer eller fjerner batteripatronen. Hvis du ikke holder verktøyet og batteripatronen godt fast, kan du miste grepet, og dette kan føre til skader på verktøyet og batteripatronen samt personskader.

► Fig.1: 1. Rød indikator 2. Knapp 3. Batteriinnsett

For å ta ut batteriet må du skyve på knappen foran på batteriet og trekke det ut.

Når du skal sette inn batteriet, må du plassere tungen på batteriet på linje med sporet i huset og skyve batteriet på plass. Skyv det helt inn til det går i inngrep med et lite klikk. Hvis du kan se den røde anviseren på oversiden av knappen, er det ikke fullstendig låst.

**⚠FORSIKTIG:** Batteriet må alltid settes helt inn, så langt at den røde anviseren ikke lenger er synlig. Hvis dette ikke gjøres, kan batteriet komme til å falle ut av maskinen og skade deg eller andre som oppholder seg i nærheten.

**⚠FORSIKTIG:** Ikke bruk makt når du setter i batteriet. Hvis batteriet ikke glir lett inn, er det fordi det ikke settes inn på riktig måte.

## Batteribeskyttelsessystem

Verktøyet er utstyrt med et batterivernsystem. Dette systemet slår automatisk av strømmen til motoren for å forlenge batteriets levetid.

Verktøyet stopper automatisk ved drift hvis det og/eller batteriet utsettes for en av følgende tilstander:

### Overbelastning:

Verktøyet brukes på en måte som gjør at det trekker uvanlig mye strøm.

I dette tilfellet må du slå av verktøyet og avslutte bruken som forårsaket at verktøyet ble overbelastet. Slå deretter verktøyet på for å starte det igjen.

Hvis verktøyet ikke starter, er batteriet overbelastet. I så fall må du la batteriet kjøle seg ned før du slår verktøyet på igjen.

### Lav batterispennning:

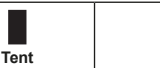




Gjenværende batterikapasitet er for lav og verktøyet vil ikke fungere. Når du starter verktøyet, starter motoren, men den stopper like etterpå. I dette tilfellet, fjern og lad batteriet opp igjen.

## Indikere gjenværende batterikapasitet

**Kun for batterier med «B» sist i modellnummeret**

► Fig.2: 1. Indikatorlamper 2. Kontrollknapp

Trykk på sjekk-knappen på batteriet for vise gjenværende batterikapasitet. Indikatorlampene lyser i et par sekunder.

Indikatorlamper	Gjenværende batterinivå
 Tent      Av	
	75% til 100%
	50% til 75%
	25% til 50%
	0% til 25%

**MERK:** Det angitte nivået kan avvike noe fra den faktiske kapasiteten alt etter bruksforholdene og den omgivende temperaturen.

## Bryterfunksjon

► Fig.3: 1. Startbryter

**⚠FORSIKTIG:** Før du setter batteriet inn i maskinen, må du alltid kontrollere at startbryteren aktiverer maskinen på riktig måte og går tilbake til «AV»-stilling når den slippes.

## Endre støtstyrken

► Fig.7: 1. Hard 2. Myk 3. A-modus 4. Endres i tre trinn 5. Knapp

Du kan endre slagkraft i tre trinn: hard, myk eller A-modus. Dette gjør det mulig å stramme skruer i samsvar med jobbtypen.

Hver gang du trykker på knappen, endres antall slag i tre trinn.

For å starte maskinen, må du trykke på startbryteren. Når du trykker hardere på startbryteren, øker hastigheten på verktøyet. Slipp opp bryteren for å stanse verktøyet.

**MERK:** Verktøyet stopper automatisk hvis du holder inne startbryteren i mer enn 6 minutter.


## Tenne frontlampen

**⚠FORSIKTIG:** Ikke se inn i lyset eller se direkte på lyskilden.

► Fig.4: 1. Lampe

► Fig.5: 1. Knapp

Trykk inn startbryteren for å tenne lampen. Slå den av ved å slippe den. Lampen slukkes omtrent 10 sekunder etter at startbryteren er sluppet.

Skrue av lampestatusen for å holde lampen avslått. Hvis du vil slå av lampestatusen, må du først trykke inn og slippe startbryteren. Trykk så på bryteren  i ett sekund innen det har gått 10 sekunder.

Hvis du vil slå på lampestatusen igjen, trykker på bryteren igjen på samme måte.

**MERK:** For å bekrefte lampestatusen, må du trykke på startbryteren. Når lampen tennes fordi du drar i startbryteren, er lampestatusen PÅ. Når lampen ikke tennes, er lampestatusen AV.

**MERK:** Når verktøyet er overopphetet, blinker lampen ett minutt og LED-skjermen slukkes. Hvis dette skjer, må du la verktøyet kjøle seg ned før du bruker det igjen.

**MERK:** Bruk en tørr klut til å tørke støv osv. av lampelinsen. Vær forsiktig så det ikke blir riper i lampelinsen, da dette kan redusere lysstyrken.

## Reverseringsfunksjon

► Fig.6: 1. Reverseringsspak

**⚠FORSIKTIG:** Før arbeidet begynner, må du alltid kontrollere rotasjonsretningen.

**⚠FORSIKTIG:** Bruk reversbryteren bare etter at verktøyet har stoppet helt. Hvis du endrer rotasjonsretningen før verktøyet har stoppet, kan det bli ødelagt.

**⚠FORSIKTIG:** Når du ikke skal bruke maskinen lenger, må du alltid sette reversbryteren i nøytral stilling.

Dette verktøyet har en reversbryter som kan brukes til å endre rotasjonsretningen. Trykk inn reversbryteren fra «A»-siden for å velge rotasjon med klokken, eller fra «B»-siden for å velge rotasjon mot klokken. Når reversbryteren er i nøytral stilling, kan ikke startbryteren trykkes inn.

«A-modus (hjelpemodus)» er en brukervennlig modus for å skru inn skruer med god kontroll.

I denne modusen skrur verktøyet skruen med langsom rotasjon til å begynne med. Etter at verktøyet begynner å få feste, øker hastigheten inntil maksimal hastighet oppnås.

Etter at startbryteren frigjøres, kan ikke borstyrken endres på ca. ett minutt.

Borstyrkegraden som vises på panelet	Maksimalt antall slag	Hensikten	Eksempel på bruk
Hard 	3 900 min <sup>-1</sup> (/min)	Tiltrekking når kraft og turtall er ønskelig.	Tiltrekking av treskruer, tiltrekking av bolter.
Myk 	1 600 min <sup>-1</sup> (/min)	Stramming med mindre styrke for å unngå brudd på skruvegjenger.	Stramming av skyveskruer, stramming av små skruer som M6.
A-modus 	3 900 min <sup>-1</sup> (/min)	Strammer skruer med bedre kontroll.	Strammer lange skruer.

**MERK:** A-modus er kun tilgjengelig når verktøyet roterer med klokken. Når det roterer mot klokken i A-modus, er slagkraften og turtallet som i hard modus.

**MERK:** Når alle lampene på bryterpanelet slukkes, slås maskinen av for å spare batteriet. Du kan kontrollere borstyrken ved å trekke i startbryteren til maskinen stopper.

**MERK:** Når startbryteren betjenes, kan ikke borstyrken endres.

## MONTERING

**⚠FORSIKTIG:** Forviss deg alltid om at maskinen er slått av og batteriet tatt ut før du utfører noe arbeid på maskinen.

### Montere eller demontere skrutrekkerbor eller hulbor

**Valgfritt tilbehør**  
► Fig.8

Bruk bare skrutrekkerbor eller hulbor som har åpningsdimensjoner som vist i figuren. Ikke bruk andre skrutrekkerbor/hulbor.

**For verktøy med grunt skrutrekkerborehull**

A= 12 mm B= 9 mm	Bruk bare denne typen skrutrekkerbor. Følg fremgangsmåte 1. (Merk) det er ikke nødvendig med bordelen.
---------------------	--

**For verktøy med dypt skrutrekkerborehull**

A= 17 mm B= 14 mm	Du installerer disse skrutrekkerborene ved å følge fremgangsmåte 1.
A= 12 mm B= 9 mm	Du installerer disse skrutrekkerborene ved å følge fremgangsmåte 2. (Merk) Du trenger bordelen for å installere boret.

- Hvis du vil montere skrutrekkerboret må du dra hylsen i pilretningen og sette skrutrekkerboret så langt inn i hylsen som mulig. Deretter fjerner du hylsen for å feste skrutrekkerboret.

► Fig.9: 1. Skrutrekkerbor 2. Hylse

- For å montere skrutrekkerboret, må du dra hylsen i pilretningen og sette bordelen og boret så langt

inn i hylsen som mulig. Bitsstykket settes inn i kjoksen slik at den spisse enden peker innover. Slipp deretter kjoksen for å feste skrutrekkerboret.

► Fig.10: 1. Skrutrekkerbor 2. Bits-del 3. Hylse

For å demontere skrutrekkerboret må du dra hylsen i pilretningen og dra skrutrekkerboret ut.

**MERK:** Hvis skrutrekkerboret ikke settes langt nok inn i hylsen, går ikke hylsen tilbake til utgangsposisjon og skrutrekkerboret sikres ikke. I slike tilfeller må du prøve å sette inn bitset på nytt i henhold til instruksene over.

**MERK:** Når skrutrekkerboret er satt inn, må du forsi- kre deg om at det sitter godt. Hvis det faller ut, må du ikke bruke det.

### Monteringskrok

► Fig.11: 1. Spor 2. Krok 3. Skrue

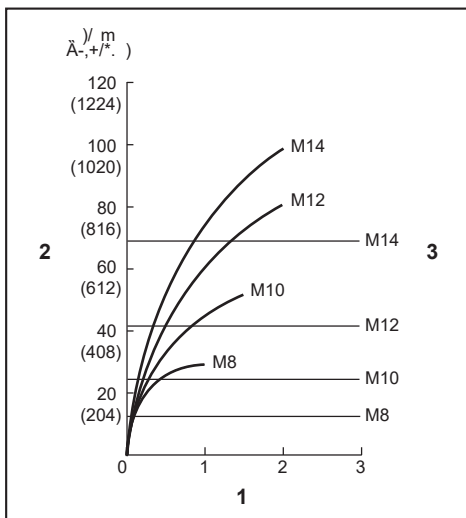
Kroken er praktisk for å henge opp verktøyet med for kortere tid. Den kan monteres på begge sider av verktøyet. For å montere kroken, må du sette den inn i sporet på en av sidene av verktøyhuset og feste den med en skrue. Ta den av igjen ved å løsne skruen.

## BRUK

► Fig.12

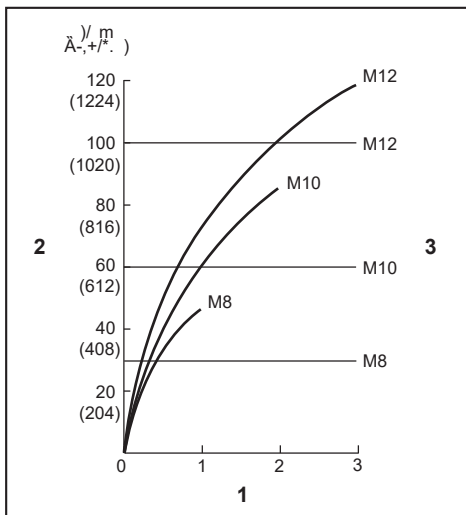
Riktig tiltrekkingmoment kan variere avhengig av skruens/boltens type og størrelse, materialet i arbeidsemnet som skal festes osv. Forholdet mellom tiltrekkingmoment og tiltrekkingstid vises i figurene.

### Standardskrue



1. Festetid (sekunder) 2. Tiltrekkingsmoment 3. Riktig tiltrekkingsmoment for hver boltediameter

### Høyfast skrue



1. Festetid (sekunder) 2. Tiltrekkingsmoment 3. Riktig tiltrekkingsmoment for hver boltediameter

Hold verktøyet støtt og plasser spissen på slagskrutrekkeren i skruhodet. Beveg verktøyet frem slik at boret ikke glir av skruen, og slå på verktøyet for å starte jobben.

**OBS:** La maskinen hvile i minst 15 min. hvis du bruker et reservebatteri for å fortsette driften.

**MERK:** Bruk korrekt bits for hodet på skruen/bolten du vil bruke.

**MERK:** Når du fester en skrue M8 eller mindre, må du velge riktig slagkraft og forsiktig justere trykket på startbryteren, så skruen ikke blir ødelagt.

**MERK:** Hold verktøyet rett mot skruen.

**MERK:** Hvis borstyrken er for stor, eller du strammer skruen over et lengre tidsrom enn angitt på figurene, kan skruen eller spissen av bitset bli overbelastet eller ødelagt e.l. Før du starter arbeidet, må du alltid teste verktøyet for å bestemme korrekt festetid for skruen.

Tiltrekkingsmomentet påvirkes av et stort antall faktorer, bl.a. følgende. Etter festing må du alltid sjekke momentet med en momentnøkkel.

1. Når batteriinnsetsen er nesten helt utladet, vil spenningen synke og tiltrekkingsmomentet reduseres.
2. Skrutrekkerbor eller hulbor  
Hvis du bruker skrutrekker- eller hulbor av feil størrelse, reduseres tiltrekkingsmomentet.
3. Skrue
  - Selv om momentkoeffisienten og skruelasen er den samme, vil riktig tiltrekkingsmoment variere i henhold til skruens diameter.
  - Selv om skruediameteren er den samme, vil riktig tiltrekkingsmoment variere i henhold til tiltrekkingskoeffisienten, skruelasen og skruens lengde.
4. Måten verktøyet holdes på eller materialet i skrustilling som skal festes har innflytelse på momentet.
5. Hvis verktøyet brukes på lav hastighet, reduseres tiltrekkingsmomentet.

### Bruke hylster

#### Valgfritt tilbehør

**⚠FORSIKTIG:** Når du bruker hylsteret, må du ta ut et skrutrekkerbor/bor.

**⚠FORSIKTIG:** Slå av verktøyet og vent til det står helt stille før du setter det i hylsteret. Pass på å lukke hylsteret ordentlig, med hylsterknappen, så maskinen holdes på plass i hylsteret.

1. Tre et belte eller liknende gjennom hylsterholderen.  
► Fig.13: 1. Hylsterholder 2. Magebelte
  2. Plasser maskinen i hylsteret og lås det med hylsterknappen.  
► Fig.14  
► Fig.15
- Du kan oppbevare to skrutrekkerbor foran på hylsteret.

## VEDLIKEHOLD

**⚠️ FORSIKTIG:** Forviss deg alltid om at maskinen er slått av og batteriet tatt ut før du foretar inspeksjon eller vedlikehold.

**OBS:** Aldri bruk gasolin, bensin, tynner alkohol eller lignende. Det kan føre til misfarging, deformering eller sprekkdannelse.

For å opprettholde produktets SIKKERHET og PALITELIGHET, må reparasjoner, vedlikehold og justeringer utføres av autoriserte Makita servicesentre eller fabrikk-servicesentre, og det må alltid brukes reservedeler fra Makita.

## VALGFRITT TILBEHØR

**⚠️ FORSIKTIG:** Det anbefales at du bruker dette tilbehøret eller verktøyet sammen med den Makita-maskinen som er spesifisert i denne håndboken. Bruk av annet tilbehør eller verktøy kan forårsake personskader. Tilbehør og verktøy må kun brukes til det formålet det er beregnet på.

Ta kontakt med ditt lokale Makita-servicesenter hvis du trenger mer informasjon om dette tilbehøret.

- Skrutrekkerbor
- Hulbor
- Bits-del
- Hylster
- Krok
- Verktøykoffert av plast
- Makita originalbatteri og lader

**MERK:** Enkelte elementer i listen kan være inkludert som standardtilbehør i verktøypakken. Elementene kan variere fra land til land.

## SUOMI (Alkuperäiset ohjeet)

### TEKNISET TIEDOT

Malli:	TD111D	
Kiinnityskapasiteetti	Koneruuvi	4 mm - 8 mm
	Vakiopultti	5 mm - 14 mm
	Suuren vetolujuuden pultti	5 mm - 12 mm
Kuormittamaton kierrosnopeus	Kova iskuvoima-asetus	0 - 3 000 min <sup>-1</sup>
	Pehmeä iskuvoima-asetus	0 - 1 300 min <sup>-1</sup>
Iskua minuutissa	Kova iskuvoima-asetus	0 - 3 900 min <sup>-1</sup>
	Pehmeä iskuvoima-asetus	0 - 1 600 min <sup>-1</sup>
Nimellisjännite	DC 10,8 V	
Kokonaispituus	135 mm	
Akkupaketti	BL1015, BL1020B	BL1040B
Nettopaino	0,97 kg	1,1 kg

- Jatkuvasta tutkimus- ja kehitystyöstämme johtuen esitetyt tekniset tiedot saattavat muuttua ilman erillistä ilmoitusta.
- Tekniset tiedot ja akkupaketti voivat vaihdella maittain.
- Paino akkupaketilla, EPTA-menettelyn 01/2003 mukaan

### Käyttötarkoitus

Työkalu on tarkoitettu ruuvien kiinnittämiseen puuhun, metalliin ja muoviin.

### Melutaso

Tyypillinen A-painotettu melutaso määräytyy standardin EN60745 mukaan:

Äänenpainetaso ( $L_{pA}$ ): 94 dB (A)

Äänen voiman taso ( $L_{WA}$ ): 105 dB (A)

Virhemarginaali (K): 3 dB (A)

**VAROITUS:** Käytä kuulosuojaimia.

### Tärinä

Kokonaistärinä (kolmen akselin vektorien summa)

määräytyy standardin EN60745 mukaan:

Työtila: työkalun maksimikapasiteetti kiinnittimien

iskukiristyksessä

Tärinäpäästö ( $a_n$ ): 12,5 m/s<sup>2</sup>

Virhemarginaali (K): 1,5 m/s<sup>2</sup>

**HUOMAA:** Ilmoitettu tärinäpäästöarvo on mitattu standarditestausmenetelmän mukaisesti, ja sen avulla voidaan vertailla työkaluja keskenään.

**HUOMAA:** Ilmoitettua tärinäpäästöarvoa voidaan käyttää myös altistumisen alustavaan arviointiin.

**VAROITUS:** Työkalun käytön aikana mitattu todellinen tärinäpäästöarvo voi poiketa ilmoitetusta tärinäpäästöarvosta työkalun käyttötavan mukaan.

**VAROITUS:** Selvitä käyttäjän suojaamiseksi tarvittavat varotoimet todellisissa käyttöolosuhteissa tapahtuvan arvioidun altistumisen mukaisesti (ottaen huomioon käyttöjakso kokonaisuudessaan, myös jaksot, joiden aikana työkalu on sammutettuna tai käy tyhjäkäynnillä).

### EY-vaatimustenmukaisuusvakuutus

*Koskee vain Euroopan maita*

EY-vaatimustenmukaisuusvakuutus on liitetty tähän käyttöoppaaseen.

### TURVAVAROITUKSET

#### Sähkötyökalujen käyttöä koskevat yleiset varoitukset

**VAROITUS:** Lue huolellisesti kaikki turvallisuusvaroitukset ja käyttöohjeet. Jos varoitusten ja ohjeiden noudattaminen laiminlyödään, seurauksena voi olla sähköisku, tulipalo ja/tai vakava vammautuminen.

#### Säilytä varoitukset ja ohjeet tulevaa käyttöä varten.

Varoituksissa käytettävällä termillä "sähkötyökalu" tarkoitetaan joko verkkovirtaa käyttävää (johdollista) työkalua tai akkukäyttöistä (johdotonta) työkalua.

## Akkukäyttöisen iskuvääntimen turvaohjeet

1. **Pitele sähkötyökalua sen eristetyistä tartuntapinnoista silloin, kun on mahdollista, että kiinnitystarvikkeet saattaa osua piilossa oleviin johtoihin.** Kiinnitystarvikkeen osuminen jännitteeseen johtoon voi johtaa jännitteen työkalun sähköä johtaviin metalliosiin ja aiheuttaa käyttäjälle sähköiskun.
2. **Seiso aina tukevassa asennossa. Varmista korkealla työskennellessäsi, että ketään ei ole alapuolella.**
3. **Ota koneesta luja ote.**
4. **Käytä korvasuojaimia.**
5. **Älä kosketa kärkeä tai työkalupäätä heti käytön jälkeen. Ne voivat olla hyvin kuumia ja aiheuttaa palovammoja.**
6. **Pidä kädet loitolla pyörivistä osista.**

## SÄILYTÄ NÄMÄ OHJEET.

**VAROITUS:** ÄLÄ anna työkalun helppokäyttöisyyden (toistuvan käytön aikaansaama) johtaa sinua väärään turvallisuuden tunteeseen niin, että laiminlyöt työkalun turvaohjeiden noudattamisen.

**VÄÄRINKÄYTTÖ** tai tässä käyttöohjeessa ilmoitettujen turvamääräysten laiminlyönti voi aiheuttaa vakavia henkilövahinkoja.

## Akkupakettia koskevia tärkeitä turvaohjeita

1. Ennen akun käyttöönottoa tutustu kaikkiin laturissa (1), akussa (2) ja akkukäyttöisessä tuotteessa (3) oleviin varoitusteksteihin.
2. **Älä pura akkua.**
3. Jos akun toiminta-aika lyhenee merkittävästi, lopeta akun käyttö. Seurauksena voi olla ylikuumeneminen, palovammoja tai jopa räjähdys.
4. Jos akkunenestettä pääsee silmiin, huuhtele puhtaalla vedellä ja hakeudu välittömästi lääkärin hoitoon. Akkuneneste voi aiheuttaa näön menetyksen.
5. **Älä oikosulje akkua.**
  - (1) **Älä koske akun napoihin millään sähköä johtavalla materiaalilla.**
  - (2) **Vältä akun oikosulkemista äläkä säilytä akkua yhdessä muiden metalliesineiden, kuten naulojen, kolikoiden ja niin edelleen kanssa.**
  - (3) **Älä aseta akkua alttiiksi vedelle tai sateelle.**  
Oikosulku voi aiheuttaa virtapiikin, ylikuumenemista, palovammoja tai laitteen rikkoontumisen.
6. **Älä säilytä työkalua ja akkua paikassa, jossa lämpötila voi nousta 50 °C:een tai sitäkin korkeammaksi.**
7. **Älä hävitä akkua polttamalla, vaikka se olisi pahoin vaurioitunut tai täysin loppuun kulunut. Avotuli voi aiheuttaa akun räjähtämisen.**
8. **Varo kolhimasta tai pudottamasta akkua.**
9. **Älä käytä viallista akkua.**

10. **Sisältyviä litium-ioni-akkuja koskevat vaarallisten aineiden lainsäädännön vaatimukset.**

Esimerkiksi kolmansien osapuolten huolintaliikkeiden tulee kaupallisissa kuljetuksissa noudattaa pakkaamista ja merkintöjä koskevia erityisvaatimuksia.

Lähetettävän tuotteen valmistelu edellyttää vaarallisten aineiden asiantuntijan neuvontaa. Huomioi myös mahdollisesti yksityiskohtaisemmat kansalliset määräykset

Akun avoimet liittimet tulee suojata teipillä tai suojuksella ja pakkaaminen tulee tehdä niin, ettei akku voi liikkua pakkauksessa.

11. **Hävitä akku paikallisten määräysten mukaisesti.**

## SÄILYTÄ NÄMÄ OHJEET.

**HUOMIO:** Käytä vain alkuperäisiä Makita-akkuja. Muiden kuin aitojen Makita-akkujen, tai mahdollisesti muutettujen akkujen käyttö voi johtaa akun murtumiseen ja aiheuttaa tulipaloja, henkilö- ja omaisuusvahinkoja. Se mitätöi myös Makita-työkalun ja -laturin Makita-takuun.

## Vihjeitä akun käyttöiän pidentämiseksi

1. **Lataa akku ennen kuin se purkautuu täysin. Lopeta aina työkalun käyttö ja lataa akku, jos huomaat työkalun tehon vähenevän.**
2. **Älä koskaan lataa uudestaan täysin ladattua akkua. Ylilataaminen lyhentää akun käyttöikää.**
3. **Lataa akku huoneen lämpötilassa välillä 10 °C - 40 °C. Anna kuuman akun jäähtyä ennen lataamista.**

## TOIMINTOJEN KUVAUS

**HUOMIO:** Varmista aina ennen säätöjä ja tarkastuksia, että työkalu on sammutettu ja akkupaketti irrotettu.

## Akun asentaminen tai irrottaminen

**HUOMIO:** Sammuta työkalu aina ennen akun kiinnittämistä tai irrottamista.

**HUOMIO:** Pidä työkalusta ja akusta tiukasti kiinni, kun irrotat tai kiinnität akkua. Jos akkupaketti tai työkalu putoaa, ne voivat vaurioitua tai aiheuttaa tapaturman.

- **Kuva1:** 1. Punainen merkkivalo 2. Painike 3. Akkupaketti

Irrota akku painamalla akun etupuolella olevaa painiketta ja vetämällä akku ulos työkalusta.

Akkua liitetään sovittamalla akun kieleke rungon uraan ja työntämällä se sitten paikoilleen. Työnnä akku pohjaan asti niin, että kuulet sen napsahdavan paikoilleen. Jos painikkeen yläpuolella näkyy punainen ilmaisin, akku ei ole lukkiutunut täysin paikoilleen.

**⚠️HUOMIO:** Työnnä akku aina pohjaan asti, niin että punainen ilmaisin ei enää näy. Jos akku ei ole kunnolla paikallaan, se voi pudota työkalusta ja aiheuttaa vammoja joko sinulle tai sivullisille.

**⚠️HUOMIO:** Älä käytä voimaa akun asennuksessa. Jos akku ei liu'u paikalleen helposti, se on väärässä asennossa.

## Akun suojausjärjestelmä

Työkalu on varustettu akun suojausjärjestelmällä. Tämä järjestelmä pidentää akun käyttöikää katkaisemalla moottorin virran automaattisesti.

Työkalu pysähtyy automaattisesti kesken käytön, jos työkalussa tai akussa ilmenee jokin seuraavista tilanteista:

### Ylikuormitus:

Työkalua käytetään tavalla, joka saa sen kuluttamaan epätavallisen paljon virtaa.

Katkaise tässä tilanteessa työkalusta virta ja lopeta ylikuormitustilan aiheuttanut käyttö. Käynnistä sitten työkalu uudelleen kytkemällä siihen virta.

Jos työkalu ei käynnisty, akku on ylikuumentunut. Anna tässä tilanteessa akun jäähtyä, ennen kuin kytket työkaluun virran uudelleen.

### Alhainen akun jännite:

Akun varaus on liian alhainen eikä riitä työkalun käyttämiseen. Jos kytket työkalun päälle, moottori alkaa toimia, mutta pysähtyy pian. Irrota tässä tilanteessa akku ja lataa se.

## Akun jäljellä olevan varaustason ilmaisin

**Vain akkupaketeille, joiden mallinumeron lopussa on "B"**

► **Kuva2:** 1. Merkkivalot 2. Tarkistuspainike

Painamalla tarkistuspainiketta saat näkyviin akun jäljellä olevan varauksen. Merkkivalot palavat muutaman sekunnin ajan.

Merkkivalot		Akussa jäljellä olevan varaus
Palaa	Pois päältä	
■ ■ ■ ■ ■	□	75% - 100%
■ ■ ■ □	□	50% - 75%
■ ■ □ □	□ □	25% - 50%
■ □ □ □	□ □ □ □	0% - 25%

**HUOMAA:** Ilmoitettu varaustaso voi erota hieman todellisesta varaustasosta sen mukaan, millaisissa oloissa ja missä lämpötilassa laitetta käytetään.

## Kytkimen käyttäminen

► **Kuva3:** 1. Liipaisinkytkin

**⚠️HUOMIO:** Tarkista aina ennen akkupaketin asettamista työkaluun, että liipaisinkytkin kytkeytyy oikein ja palaa "OFF"-asentoon, kun se vapautetaan.

Käynnistä työkalu painamalla liipaisinkytkintä. Mitä voimakkaammin liipaisinkytkintä painetaan, sitä nopeammin työkalu pyörii. Voit pysäyttää työkalun vapauttamalla liipaisimen.

**HUOMAA:** Työkalu pysähtyy automaattisesti, jos liipaisinkytkintä painetaan yhtäjaksoisesti noin 6 sekunnin ajan.


## Etulampun syyttäminen

**⚠️HUOMIO:** Älä katso suoraan lamppuun tai valonlähteeseen.

► **Kuva4:** 1. Lamppu

► **Kuva5:** 1. Painike

Sytytä lamppu vetämällä liipaisinkytkintä. Se sammuu, kun liipaisinkytkin vapautetaan. Lamppu sammuu noin 10 sekunnin kuluttua liipaisinkytkimen vapauttamisesta.

Jos haluat pitää lampun sammutettuna, kytke se pois-tilaan. Jos haluat kytkeä lampun pois-tilaan, vedä ensin liipaisinkytkintä ja vapauta se. Paina tämän jälkeen  -painike pohjaan yhden sekunnin ajaksi ajan seuraavan 10 sekunnin sisällä.

Voit kytkeä lampun jälleen päälle, kun painat painiketta uudestaan.

**HUOMAA:** Voit tarkistaa, onko lamppu käytössä, painamalla liipaisinkytkintä. Jos lamppu syttyy, kun liipaisinkytkintä painetaan, lamppu on käytössä. Jos lamppu ei syty, lampun tila on POIS PÄÄLTÄ.

**HUOMAA:** Jos työkalu ylikuumentuu, valo vilkkuu minuutin ajan, minkä jälkeen Led-näyttö sammuu. Anna tässä tapauksessa työkalun jäähtyä ennen sen käyttämistä uudelleen.

**HUOMAA:** Pyyhi lika pois linssistä kuivalla liinalla. Varo naarmuttamasta linssiä, ettei valoteho laske.

## Pyörimissuunnan vaihtokytkimen toiminta

► **Kuva6:** 1. Pyörimissuunnan vaihtokytkimen vipu

**⚠️HUOMIO:** Tarkista aina pyörimissuunta ennen käyttöä.

**⚠️HUOMIO:** Käytä pyörimissuunnan vaihtokytkintä vasta sen jälkeen, kun kone on lakannut kokonaan pyörimästä. Pyörimissuunnan vaihto koneen vielä pyöriessä voi vahingoittaa sitä.

**⚠️HUOMIO:** Aina kun konetta ei käytetä, käännä pyörimissuunnan vaihtokytkin keskiasentoon.

Työkalussa on pyörimissuunnan vaihtokytkin. Jos haluat koneen pyöriävän myötöpäivään, paina vaihtokytkintä A-puolelta ja jos vastapäivään, paina sitä B-puolelta.

Jos pyörimissuunnan vaihtokytkin on keskiasennossa, liipaisinkytkin lukittuu.



## Iskuvoiman muuttaminen

► **Kuva7:** 1. Kova 2. Pehmeä 3. A-tila 4. Vaihtuu kolmessa vaiheessa 5. Painike

Voit vaihtaa iskuvoimaa kolmessa vaiheessa: kova, pehmeä ja A-tila. Näin voit valita työhön sopivan kiristysvoiman. Aina, kun painiketta painetaan, iskunopeus muuttuu toiseen kolmessa vaiheessa.

"A-asetus (avustettu tila)" on helpokäyttöasetus hallittuun ruuvaamiseen.

Tällä asetuksella työkalu kiertää ruuvia ensiksi alhaisella nopeudella. Kun työkalu alkaa iskeä, pyörimisnopeus nousee maksiminopeuteen asti.

Iskuvoima-asetusta voi muuttaa noin minuutin kuluttua liipaisinkytkimen vapauttamisesta.

Iskuvoima aste näkyy paneelissa	Maksimi-iskut	Tarkoitus	Käyttöesimerkki
Kova 	3 900 min <sup>-1</sup> (/min)	Kiristäminen haluttaessa tiettyä voimaa ja nopeutta.	Puuruvien kiristäminen, pulttien kiristäminen.
Pehmeä 	1 600 min <sup>-1</sup> (/min)	Kiristäminen pienemmällä voimalla ruuvikierteen rikkoutumisen välttämiseksi.	Ikkunaruuvien kiristäminen, pienten ruuvien kuten esim. M6-ruuvien kiristäminen.
A-asetus 	3 900 min <sup>-1</sup> (/min)	Ruuvien kiristäminen ja työ parempi hallinta.	Pitkien ruuvien kiristäminen.

**HUOMAA:** A-tila on käytettävissä vain, kun työkalu pyörii myötäpäivään. Kun pyörimissuunta on A-tilassa vastapäivään, iskuvoima ja nopeus on sama kuin kovassa tilassa.

**HUOMAA:** Jos kytkinpaneelin kaikki valot ovat sammuneet, työkalu sammuu, jotta akun varaus säästyisi. Voit tarkistaa iskuvoima-asetuksen vetämällä liipaisinkytkintä sen verran, että työkalu ei kytkeydy toimintaan.

**HUOMAA:** Iskuvoima-asetusta ei voida muuttaa liipaisinkytkimen vetämisen aikana.

## KOKOONPANO

**⚠HUOMIO:** Varmista aina ennen mitään työkalulle tehtäviä toimenpiteitä, että se on sammutettu ja akku irrotettu.

### Ruuvauuskärjen/kärkipalan asentaminen tai irrottaminen

#### Lisävaruste

► **Kuva8**

Käytä vain ruuvauuskärkeä tai istukkakärkeä, joissa on kuvan mukaiset kiinnityskohdat. Älä käytä mitään muunlaista ruuvauuskärkeä tai istukkakärkeä.

#### Työkaluille, joissa on matala kärkiaukko

A=12mm B=9mm	Käytä vain tämäntyyppisiä ruuvauuskärkiä. Seuraa toimintatapaa 1. (Huom.) Kärkipala ei ole välttämätön.
-----------------	---

#### Työkaluille, joissa on matala ruuvauuskärjen aukko

A=17mm B=14mm	Tämäntyyppisiä ruuvauuskärkiä käytettäessä seuraa toimintatapaa 1.
A=12mm B=9mm	Tämäntyyppisiä ruuvauuskärkiä käytettäessä seuraa toimintatapaa 2. (Huom.) Kärkipala on välttämätön kärjen asentamiseksi.

- Ruuvauuskärjen asentamiseksi vedä holkkia nuolen osoittamaan suuntaan ja aseta pää holkkiin niin pitkälle, kuin se menee. Vapauta sitten holkki varmistaaksesi ruuvauuskärjen.  
► **Kuva9:** 1. Ruuvauuskärki 2. Holkki
- Ruuvauuskärjen asentamiseksi vedä holkkia nuolen osoittamaan suuntaan ja aseta pääpala ja ruuvauuskärki holkkiin niin pitkälle, kuin se menee. Ruuvauuskärjen tulee olla asennettu holkkiin siten, että sen terävä pää kohdistuu sisäänpäin. Vapauta sitten holkki kärjen varmistamiseksi.  
► **Kuva10:** 1. Ruuvauuskärki 2. Kärkikappale 3. Holkki

Vedä holkkia nuolen osoittamaan suuntaan kärjen irrottamiseksi ja vedä ruuvauuskärki ulos.

**HUOMAA:** Jos ruuvauskärkeä ei ole asennettu holkkiin tarpeeksi syväälle, holkki ei palaa alkuperäiseen asentoonsa eikä ruuvauskärkeä ole varmistettu. Yritä tässä tapauksessa asentaa ruuvauskärki uudelleen yllä mainittujen ohjeiden mukaan.

**HUOMAA:** Varmista kärjen kiinnityksen pitävyyden kiinnittämisen jälkeen. Jos kärki ei pysy paikallaan, älä käytä sitä.

## Koukun asentaminen

► **Kuva11:** 1. Ura 2. Koukku 3. Ruuvi

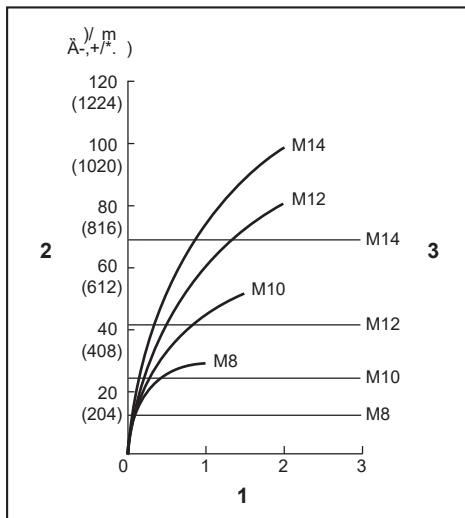
Työkalu voidaan kätevästi ripustaa väliaikaisesti koukkuun. Tämä voidaan asentaa kummalle puolelle työkalua tahansa. Asenna koukku työntämällä se työkalun rungon uraan jommallekummalle puolelle ja varmista kiinnitys ruuvilla. Voit irrottaa koukun löysäämällä ja irrottamalla ruuvin.

## TYÖSKENTELY

► **Kuva12**

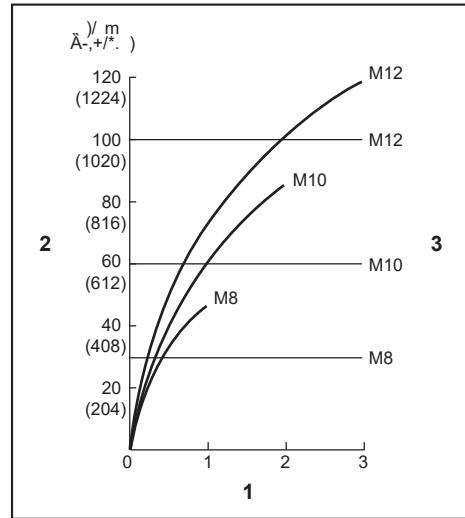
Oikea kiinnitysmomentti saattaa vaihdella ruuvin/pultin tyyppistä ja koosta riippuen, kiinnitettävästä työkalun materiaalista, jne. Kiinnitysvääntömomentin ja kiinnitysajan suhde näkyy kuvissa.

### Vakiopultti



1. Kiinnitysaika (sekunneissa)  
2. Kiinnitysvääntömomentti 3. Asianmukainen kiinnitysvääntö kullekin pultin halkaisijalle

### Suuren vetolujuuden pultti



1. Kiinnitysaika (sekunneissa)  
2. Kiinnitysvääntömomentti 3. Asianmukainen kiinnitysvääntö kullekin pultin halkaisijalle

Pidä työkalua lujasti ja aseta vääntimen kärjen pää ruuvin kantaan. Paina työkalua eteenpäin niin ettei ruuvauskärki liu'u pois ruuvista ja käännä työkalu päälle toiminnan aloittamiseksi.

**HUOMAUTUS:** Jos jatkat työkalun käyttöä vara-akun avulla, anna työkalun olla käyttämättä vähintään 15 min.

**HUOMAA:** Käytä oikeaa kärkeä siihen ruuvin/pultin päähän, jota haluat käyttää.

**HUOMAA:** Jos kiinnität koon M8 tai sitä pienempiä ruuveja, valitse riittävän pieni iskuvoima ja säätöle pyörimisnopeutta liipaisinkytkimellä, jotta ruuvi ei vahingoitu.

**HUOMAA:** Pidä työkalua suoraan ruuvia päin kohdistettuna.

**HUOMAA:** Jos iskuvoima on liian suuri, tai kiristät ruuvia kauemmin kuin kuvat osoittavat, ruuvi tai ruuvauskärki voivat kuormittua liikaa, murtua, vahingoittua jne. Kokeile aina ennen työn aloittamista, mikä on ruuville sopiva kiristysaika.

Kiinnitysmomenttiin vaikuttaa monta eri tekijää, mukaan lukien seuraavat. Tarkista aina kiinnityksen jälkeen momentti momenttiavaimella.

1. Kun akku on melkein täysin purkautunut, jännite laskee ja kiinnitysmomentti heikkenee.
2. Vääntimen kärki tai istukkakärki  
Sopivan kokoisen vääntimen kärjen tai istukkakärjen käytön laiminlyönti aiheuttaa kiinnitysmomentin heikkenemisen.
3. Lankkuliitoskärki
  - Vaikka momentin kerroin ja pulttiluokka ovat samat, oikea kiinnitysmomentti vaihtelee pultin halkaisijan mukaan.
  - Vaikka pulttien halkaisijat ovat samat, oikea kiinnitysmomentti vaihtelee momentin kertoimen, pulttiluokan ja pulttipituuden mukaan.

4. Työkalun pitämistapa tai kytkettävä ajoasento materiaalin vaikuttaa momenttiin.
5. Työkalun käyttö alhaisella nopeudella aiheuttaa kiinnitysmomentin heikkenemisen.

**HUOMAA:** Jotkin luettelossa mainitut varusteet voivat sisältyä työkalun toimitukseen vakiovarusteina. Ne voivat vaihdella maittain.

## Kotelon käyttäminen

### Lisävaruste

**⚠HUOMIO:** Kun käytät koteloa, poista ruuvauskärki/poranterä työkalusta.

**⚠HUOMIO:** Sammuta työkalu ja varmista, että se on täysin pysähtynyt, ennen kuin asetat sen koteloon.

Varmista, että suljet kotelon tiukasti siten, että työkalu pysyy siinä tukevasti.

1. Pujota vyö tai muu vastaava kotelon lenkin lävitse.  
► **Kuva13:** 1. Kotelon pidike 2. Vyötärövyö

2. Aseta työkalu koteloon ja lukitse se paikalleen kotelon painonapin avulla.

► **Kuva14**

► **Kuva15**

Voit säilyttää kahta kärkipalaa kotelon etupuolella.

## KUNNOSSAPITO

**⚠HUOMIO:** Varmista aina ennen tarkastusta tai huoltoa, että työkalu on sammutettu ja akku irrotettu.

**HUOMAUTUS:** Älä koskaan käytä bensiiniä, ohenteita, alkoholia tai tms. aineita. Muutoin pinta voi halkeilla tai sen värit ja muoto voivat muuttua. Muutoin laitteeseen voi tulla värjäytymiä, muodon vääristymiä tai halkeamia.

Tuotteen TURVALLISUUDEN ja LUOTETTAVUUDEN takaamiseksi korjaukset, muut huoltotyöt ja säädöt on teetettävä Makitan valtuutetussa huoltopisteessä Makitan varaosia käyttäen.

## LISÄVARUSTEET

**⚠HUOMIO:** Seuraavia lisävarusteita tai laitteita suositellaan käytettäväksi tässä ohjeessa kuvatun Makita-työkalun kanssa. Muiden lisävarusteiden tai laitteiden käyttö voi aiheuttaa henkilövahinkoja. Käytä lisävarusteita ja -laitteita vain niiden käyttötarkoituksen mukaisesti.

Jos tarvitset apua tai yksityiskohtaisempia tietoja seuraavista lisävarusteista, ota yhteys paikalliseen Makitan huoltoon.

- Ruuvauskärjet
- Hylsykärjet
- Kärkikappale
- Kotelo
- Koukku
- Muovinen kantolaukku
- Aito Makitan akku ja laturi

## LATVIEŠU (Originālie norādījumi)

### SPECIFIKĀCIJAS

Modelis:		TD111D
Pievilšanas spēja	Nostiprinātājskrūve	4 mm - 8 mm
	Standarta skrūve	5 mm - 14 mm
	Lielas izturības skrūve	5 mm - 12 mm
Ātrums bez slodzes	Spēcīga trieciena režīms	0 - 3 000 min <sup>-1</sup>
	Viegla trieciena režīms	0 - 1 300 min <sup>-1</sup>
Triecieni minūtē	Spēcīga trieciena režīms	0 - 3 900 min <sup>-1</sup>
	Viegla trieciena režīms	0 - 1 600 min <sup>-1</sup>
Nominālais spriegums	Līdzstrāva 10,8 V	
Kopējais garums	135 mm	
Akumulatora kasetne	BL1015, BL1020B	BL1040B
Tīrsvars	0,97 kg	1,1 kg

- Nepārtrauktās izpētes un izstrādes programmas dēļ šeit uzrādītās specifikācijas var tikt mainītas bez brīdinājuma.
- Specifikācijas un akumulatora kasetne var atšķirties dažādās valstīs.
- Svārs ar akumulatora kasetni saskaņā ar EPTA-Procedure 01/2003

#### Paredzētā lietošana

Šis darbarīks ir paredzēts skrūvju ieskrūvēšanai kokā, metālā un plastmasā.

#### Trokšņa līmenis

Tipiskais A svērtais trokšņa līmenis noteikts saskaņā ar EN60745:  
Skaņas spiediena līmeni ( $L_{pA}$ ): 94 dB (A)  
Skaņas jaudas līmeni ( $L_{WA}$ ): 105 dB (A)  
Mainīgums (K): 3 dB (A)

**BRĪDINĀJUMS:** Lietojiet ausu aizsargus.

#### Vibrācija

Vibrācijas kopējā vērtība (trīsasu vektora summa) noteikta atbilstoši EN60745:  
Darba režīms: rīka maksimālās jaudas stiprinājumu pievilšana  
Vibrācijas izmēte ( $a_h$ ): 12,5 m/s<sup>2</sup>  
Mainīgums (K): 1,5 m/s<sup>2</sup>

**PIEZĪME:** Paziņotā vibrācijas emisijas vērtība noteikta atbilstoši standarta pārbaudes metodei un to var izmantot, lai salīdzinātu vienu darbarīku ar citu.

**PIEZĪME:** Paziņoto vibrācijas emisijas vērtību arī var izmantot iedarbības sākotnējā novērtējumā.

**BRĪDINĀJUMS:** Reāli lietojot elektrisko darbarīku, vibrācijas emisija var atšķirties no paziņotās emisijas vērtības atkarībā no darbarīka izmantošanas veida.

**BRĪDINĀJUMS:** Lai aizsargātu lietotāju, nosakiet drošības pasākumus, kas pamatoti ar iedarbību reālos darba apstākļos (ņemot vērā visus ekspluatācijas cikla posmus, piemēram, laiku, kamēr darbarīks ir izslēgts un kad darbojas tukšgaitā, kā arī palaides laiku).

#### EK atbilstības deklarācija

##### Tikai Eiropas valstīm

EK atbilstības deklarācija šajā lietošanas rokasgrāmatā ir iekļauta kā A pielikums.

### DROŠĪBAS BRĪDINĀJUMI

#### Vispārīgi elektrisko darbarīku drošības brīdinājumi

**BRĪDINĀJUMS:** Izlasiet visus drošības brīdinājumus un visus norādījumus. Brīdinājumu un norādījumu neievērošanas gadījumā var rasties elektriskās strāvas trieciens, ugunsgrēks un/vai nopietnas traumas.

#### Glabājiet visus brīdinājumus un norādījumus, lai varētu tajos ieskatīties turpmāk.

Termiņš „elektrisks darbarīks” brīdinājumos attiecas uz tādu elektrisko darbarīku, ko darbina ar elektrību (ar vadu), vai tādu, ko darbina ar akumulatoru (bez vada).

#### Drošības brīdinājumi bezvada triecienskrūvgrieža lietošanai

1. **Veicot darbu, turiet elektrisko darbarīku aiz izolētajām satveršanas virsmām, ja stiprinājums varētu saskarties ar paslēptu elektroinstalāciju.** Stiprinājumiem saskaroties ar vadu, kurā ir spriegums, elektriskā darbarīka ārējās metāla virsmas var vadīt strāvu un radīt lietotājam elektrotraumu.



**⚠ UZMANĪBU:** Vienmēr ievietojiet akumulatora kasetni tā, lai sarkanais indikators nebūtu redzams. Pretējā gadījumā tā var nejauši izkrist no darbarīka un izraisīt jums vai apkārtnējiem traumas.

**⚠ UZMANĪBU:** Neievietojiet akumulatora kasetni ar spēku. Ja kasetne neslīd ietvarā viegli, tā nav pareizi ielikta.

## Akumulatora aizsardzības sistēma

Darbarīks ir aprīkots ar akumulatora aizsardzības sistēmu. Šī sistēma automātiski izslēdz jaudas padevi motoram, lai pagarinātu akumulatora kalpošanas laiku. Darbarīks automātiski pārstās darboties ekspluatācijas laikā, ja darbarīku un/vai akumulatoru pakļaus kādam no tālāk minētajiem apstākļiem:

### Pārslodze:

Darbarīku ekspluatācijas laikā lieto tādā veidā, ka tas saista pārmērīgu strāvu.

Šādā gadījumā izslēdziet darbarīku un pārtrauciet darbarīka pārslodzi izraisījušo darbu. Tad ieslēdziet darbarīku, lai atsāktu darbu.

Ja darbarīks neieslēdzas, akumulators ir pārkarsis. Šādā gadījumā ļaujiet akumulatoram atdzist pirms atkārtotas darbarīka ieslēgšanas.

### Zema akumulatora jauda:







Akumulatora uzlādes līmenis ir pārāk zems, un darbarīks nedarbosies. Ja ieslēgsit darbarīku, motors vēlreiz sāks darboties, taču drīz apstāsies. Šādā gadījumā noņemiet akumulatoru un uzlādējiet.

## Atlikušās akumulatora jaudas indikators

**Tikai akumulatoru kasetnēm, kuru modeļa numura beigās ir burts „B”**

► **Att.2:** 1. Indikatora lampas 2. Pārbaudes poga

Nospiediet akumulatora kasetnes pārbaudes pogu, lai pārbaudītu akumulatora atlikušo uzlādes līmeni. Indikatori iedegsies uz dažām sekundēm.

Indikatora lampas	Atlikusī jauda
<div style="display: flex; justify-content: space-around;"> <div style="text-align: center;">  Iedegies         </div> <div style="text-align: center;">  Izslēgts         </div> </div>	
	No 75% līdz 100%
	No 50% līdz 75%
	No 25% līdz 50%
	No 0% līdz 25%

**PIEZĪME:** Reālā jauda var nedaudz atšķirties no norādītās atkarībā no lietošanas apstākļiem un apkārtējās temperatūras.

## Slēdža darbība

► **Att.3:** 1. Slēdža mēlīte

**⚠ UZMANĪBU:** Pirms akumulatora kasetnes uzstādīšanas darbarīkā vienmēr pārbaudiet, vai slēdža mēlīte darbojas pareizi un pēc atlaišanas atgriežas stāvoklī „OFF” (Izslēgts).

Lai ieslēgtu darbarīku, pavelciet slēdža mēlīti. Darbarīka ātrums palielinās, palielinoties spiedienam uz slēdža mēlīti. Lai darbarīku apturētu, atlaidiet slēdža mēlīti.

**PIEZĪME:** Darbarīks automātiski apstāsies, ja turpināsit spiest slēdža mēlīti apmēram 6 minūtes.


## Priekšējās lampas ieslēgšana

**⚠ UZMANĪBU:** Neskatieties gaismā, neļaujiet tās avotam iespiest acīs.

► **Att.4:** 1. Lampa

► **Att.5:** 1. Poga

Nospiediet slēdža mēlīti, lai ieslēgtu lampu. Lai izslēgtu, atlaidiet mēlīti. Apmēram 10 sekundes pēc slēdža mēlītes atlaišanas lampa izslēdzas.

Lai lampa neieslēgtos, izslēdziet lampas režīmu. Lai izslēgtu lampas režīmu, vispirms nospiediet un atlaidiet slēdža mēlīti. Tad 10 sekunžu laikā vienu sekundi turiet nospiestu pogu . Lai atkal ieslēgtu lampas režīmu, vēlreiz nospiediet to pašu pogu.

**PIEZĪME:** Lai pārbaudītu lampas režīmu, nospiediet mēlīti. Ja, nospiežot slēdža mēlīti, lampa iedegas, lampas režīms ir IESLĒGTS. Ja lampa neiedegas, lampas režīms ir IZSLĒGTS.

**PIEZĪME:** Ja darbarīks ir pārkarsis, indikators vienu minūti mirgo, pēc tam izslēdzas. Šādā gadījumā pirms atkārtotas lietošanas atdzesējiet darbarīku.

**PIEZĪME:** Ar sausu lupatiņu notīriet netīrumus no lampas lēcas. Izvairieties saskrāpēt lampas lēcu, jo tādējādi tiek samazināts apgaismojums.

## Griešanās virziena pārslēdzēja darbība

► **Att.6:** 1. Griešanās virziena pārslēdzēja svira

**⚠ UZMANĪBU:** Pirms sākat strādāt, vienmēr pārbaudiet griešanās virzienu.

**⚠ UZMANĪBU:** Izmantojiet griešanās virziena pārslēdzēju tikai pēc darbarīka pilnīgas apstāšanās. Griešanās virziena maiņa pirms darbarīka pilnīgas apstāšanās var to sabojāt.

**⚠ UZMANĪBU:** Kamēr darbarīks netiek izmantots, vienmēr uzstādiet griešanās virziena pārslēdzēja sviru neitrālajā stāvoklī.

Šis darbarīks ir aprīkots ar pārslēdzēju, kas ļauj mainīt griešanās virzienu. Nospiediet griešanās virziena pārslēdzēja sviru no „A” puses rotācijai pulksteņrādītāju kustības virzienā vai no „B” puses rotācijai pretēji pulksteņrādītāju kustības virzienam.

Ja griešanās virziena pārslēdzēja svira atrodas neitrālajā stāvoklī, slēdža mēlīti nevar nospiegt.

## Triecienspēka maiņa

► **Att.7:** 1. Spēcīgs 2. Viegls 3. A režīms 4. Maināms trieciens 5. Poga

Triecienspēku var mainīt trijās pakāpēs: spēcīgs, viegls un A režīms.

Šādi var izvēlēties darbam piemērotu pievilksanas spēku.

Ikreiz, nospiežot pogu, triecienu skaits mainās trijās pakāpēs.

A režīms (palīgrežīms) ir viegli izmantojams skrūvju ieskrūvēšanas režīms ar labu vadību.

Šajā režīmā darbarīks sāk skrūvēt skrūvi ar nelielu griešanās ātrumu. Kad darbarīks sāk izmantot triecienspēka režīmu, griešanās ātrums palielinās, sasniedzot maksimālo ātrumu.

Triecienspēku var mainīt apmēram vienas minūtes laikā pēc slēdža mēlītes atlaišanas.

Panelī parādītā triecienspēka pakāpe	Maksimālais triecienu skaits	Nolūks	Lietojuma piemērs
Spēcīgs 	3 900 min <sup>-1</sup> (/min)	Pievilksana, kad nepieciešams spēks un ātrums.	Koka skrūvju un bultskrūvju pievilksana.
Viegls 	1 600 min <sup>-1</sup> (/min)	Pievilksana ar mazāku spēku, lai nesabojātu skrūves vītņi.	Rāmja skrūvju pievilksana, mazu skrūvju (piemēram, M6) pievilksana.
A režīms 	3 900 min <sup>-1</sup> (/min)	Labāk kontrolēta skrūvju pievilksana.	Garu skrūvju pievilksana.

**PIEZĪME:** A režīms ir pieejams tikai tad, ja darbarīks griežas pulksteņrādītāju kustības virzienā. Ja darbarīks A režīmā griežas pretēji pulksteņrādītāju kustības virzienam, triecienspēks un ātrums ir tāds pats kā spēcīga triecienspēka režīmā.

**PIEZĪME:** Kad slēdža panelī ir nodzisuši visi indikatori, darbarīks ir izslēgts, lai taupītu akumulatora jaudu. Triecienspēka līmeni var pārbaudīt, nospiežot slēdža mēlīti tā, lai darbarīks nedarbojas.

**PIEZĪME:** Ja ir nospiesta slēdža mēlīte, triecienspēka līmeni nevar mainīt.

## MONTĀŽA

**UZMANĪBU:** Pirms darbarīka regulēšanas vai apkopes vienmēr pārliecinieties, ka darbarīks ir izslēgts un akumulatora kasetne ir izņemta.

### Skrūvgrieža uzgaļa/galatslēgas uzgaļa uzstādīšana vai noņemšana

#### Papildu piederumi

► **Att.8**

Izmantojiet tikai skrūvgrieža uzgali/galatslēgas uzgali ar attēlā redzamo ievietojamo daļu. Neizmantojiet citu skrūvgrieža uzgali/uzgriežņa uzgali.

#### Darbarīkam ar seklu skrūvgrieža uzgaļa padziļinājumu

A = 12 mm B = 9 mm	Izmantojiet tikai šāda veida skrūvgrieža uzgali. Ievērojiet 1. procedūru. (Piezīme) Uzgaļa daļa nav nepieciešama.
-----------------------	---

#### Darbarīkam ar dziļu skrūvgrieža uzgaļa padziļinājumu

A = 17 mm B = 14 mm	Lai uzstādītu šādu veidu skrūvgrieža uzgali, izpildiet 1. procedūru.
A = 12 mm B = 9 mm	Lai uzstādītu šādu veidu skrūvgrieža uzgali, izpildiet 2. procedūru. (Piezīme) Uzgaļa uzstādīšanai nepieciešama uzgaļa daļa.

- Lai uzstādītu skrūvgrieža uzgali, velciet uznavu bultiņas virzienā un ievietojiet skrūvgrieža uzgali uznavā līdz galam. Tad atlaidiet uznavu, lai nostiprinātu skrūvgrieža uzgali.

► **Att.9:** 1. Skrūvgrieža uzgalis 2. Uznavs

- Lai uzstādītu skrūvgrieža uzgali, velciet uznavu bultiņas virzienā un ievietojiet uzgaļa daļu un skrūvgrieža uzgali uznavā līdz galam. Uzgaļa daļa jāievieto uznavā tā, lai tās smailais gals būtu vērst uz iekšu. Tad atlaidiet uznavu, lai nostiprinātu skrūvgrieža uzgali.

► **Att.10:** 1. Skrūvgrieža uzgalis 2. Skrūves daļa 3. Uznavs

Lai noņemtu skrūvgrieža uzgali, velciet uznavu bultiņas virzienā un izvelciet skrūvgrieža uzgali.

**PIEZĪME:** Ja skrūvgrieža uzgalis nav pietiekami dziļi ievietots uzdevā, tā neatgriezīsies savā sākotnējā stāvoklī, un skrūvgrieža uzgalis netiks nostiprināts. Šajā gadījumā mēģiniet vēlreiz ievietot uzgali atbilstoši iepriekš minētajām instrukcijām.

**PIEZĪME:** Pēc skrūvgrieža uzgaļa ievietošanas pārbaudiet, ka tas ir cieši nostiprināts. Ja tas iznāk ārā, neizmantojiet to.

## Āķa uzstādīšana

► Att.11: 1. Rieva 2. Āķis 3. Skrūve

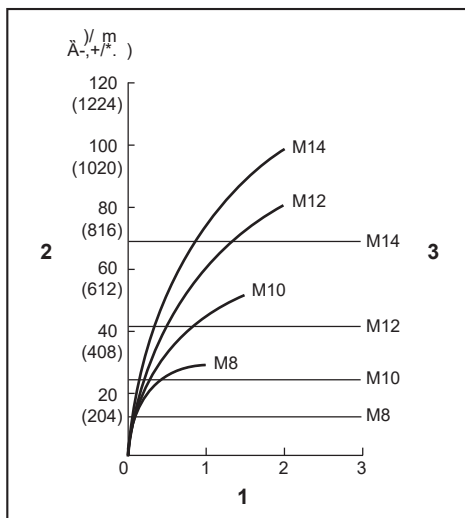
Āķis ir noderīgs, ja darbarīks uz kādu laiku ir jāpakar. To var uzstādīt jebkurā darbarīka pusē. Lai uzstādītu āķi, ievietojiet to rieva jebkurā darbarīka korpusa pusē, un tad ar skrūvi pieskrūvējiet. Lai to izņemtu, atlaidiet skrūvi un izņemiet.

## EKSPLUATĀCIJA

► Att.12

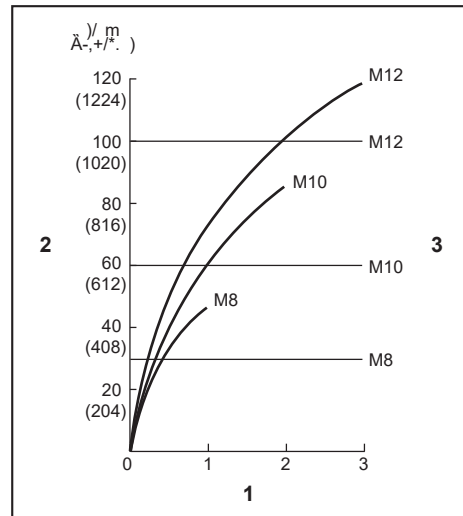
Pareizais stiprinājuma griezes moments var atšķirties atkarībā no skrūves/bultskrūves veida vai lieluma, nostiprināmā apstrādājamā materiāla u. c. Attiecība starp stiprinājuma griezes momentu un stiprinājuma laiku ir attēlota zīmējumos.

### Standarta skrūve



1. Pievilšanas laiks (sekundēs) 2. Pievilšanas griezes moments 3. Pareizs pievilšanas griezes moments atbilstoši katras skrūves diametram

### Lielas izturības skrūve



1. Pievilšanas laiks (sekundēs) 2. Pievilšanas griezes moments 3. Pareizs pievilšanas griezes moments atbilstoši katras skrūves diametram

Cieši turiet darbarīku un ievietojiet skrūvgrieža uzgali skrūves galviņā. Uzspiediet uz darbarīka tik daudz, kamēr uzgalis neslīd nost no skrūves, ieslēdziet darbarīku, lai sāktu darbu.

**IEVĒRĪBAI:** Ja darba turpināšanai lielos rezervēs akumulatoru, neizmantojiet darbarīku vismaz 15 minūtes.

**PIEZĪME:** Lietojiet atbilstošu uzgali tai skrūves/bultskrūves galviņai, kuru vēlaties izmantot.

**PIEZĪME:** Nostiprinot M8 vai mazāku skrūvi, izvēlieties atbilstošu trieciena jaudu un uzmanīgi piemērojiet spiedienu uz slēdža mēlītes tā, lai skrūvi nesabojātu.

**PIEZĪME:** Turiet darbarīku tieši pretī skrūvei.

**PIEZĪME:** Ja trieciena spēks ir par lielu vai arī skrūves pievilšanas laiks ir lielāks nekā paredzēts, skrūve vai skrūvgrieža uzgalis var tikt pārmērīgi nospirogots, var tikt norauta vītne vai rasties bojājumi utt. Pirms darba sākšanas vienmēr veiciet izmēģinājumu, lai noteiktu atbilstošu skrūves pievilšanas laiku.

Stiprinājuma griezes momentu ietekmē ļoti dažādi faktori, tostarp tālāk minētie. Pēc nostiprināšanas vienmēr pārbaudiet griezes momentu ar griezes momenta uzgriežņu atslēgu.

1. Kad akumulatora kasetne gandrīz pilnībā būs izlādējusies, spriegums kritīsies un stiprinājuma griezes moments mazināsies.
2. Skrūvgrieža uzgalis vai galatslēgas uzgalis  
Ja neizmantojiet pareizā izmēra skrūvgrieža vai galatslēgas uzgali, mazināsies stiprinājuma griezes moments.
3. Bultskrūve
  - Pat ja griezes momenta koeficients atbilst bultskrūves kategorijai, pareizais stiprinājuma griezes moments atšķirsies atkarībā no bultskrūves diametra.



- Pat ja bulskrūvju diametrs būs vienāds, pareizais stiprinājuma griezes moments atšķirsies atkarībā no griezes momenta koeficienta, bulskrūves kategorijas un tās garuma.
4. Darbarīka turēšanas veids vai nostiprināmais skrūvēšanas stāvokļa materiāls ietekmēs griezes momentu.
  5. Darbinot darbarīku ar mazu ātrumu, mazināsies stiprinājuma griezes moments.

- Āķis
- Plastmasas pārnēsāšanas soma
- Makita oriģinālais akumulators un lādētājs

**PIEZĪME:** Daži sarakstā norādītie izstrādājumi var būt iekļauti instrumenta komplektācijā kā standarta piederumi. Tie dažādās valstīs var būt atšķirīgi.

## Darbarīka futrāļa lietošana

### Papildu piederumi

**⚠ UZMANĪBU:** Izmantojot futrāli, izņemiet no darbarīka skrūvgrieža uzgali/urbja uzgali.

**⚠ UZMANĪBU:** Izslēdziet darbarīku un gaidiet, līdz tas pilnībā apstājas, pirms to ievietot futrālī. Pārliecinieties, ka darbarīka futrālis ir cieši aiztaisīts ar pogu un darbarīks atrodas fiksētā stāvoklī.

1. Ievietiet jostas siksnu vai līdzīgu siksnu darbarīka futrāļa turētājā.  
▶ **Att.13:** 1. Futrāļa turētājs 2. Jostas sikсна
2. Ievietojiet darbarīku futrālī un aiztaisiet futrāļa pogas.  
▶ **Att.14**  
▶ **Att.15**

Futrāļa priekšpusē var glabāt divus skrūvgrieža uzgaļus.

## APKOPE

**⚠ UZMANĪBU:** Pirms darbarīka pārbaudes vai apkopes vienmēr pārliecinieties, ka darbarīks ir izslēgts un akumulatora kasetne ir izņemta.

**⚠ IEVĒRĪBAI:** Nekad neizmantojiet gāzoliņu, benzīnu, atšķaidītāju, spirtu vai līdzīgus šķidrumus. Tas var radīt izbalēšanu, deformāciju vai plaisas.

Lai saglabātu izstrādājuma DROŠU un UZTICAMU darbību, remontdarbus, apkopi un regulēšanu uzticiet veikt tikai Makita pilnvarotam vai rūpnīcas apkopes centram, un vienmēr izmantojiet tikai Makita rezerves daļas.

## PAPILDU PIEDERUMI

**⚠ UZMANĪBU:** Šādi piederumi un papildierīces tiek ieteiktas lietošanai ar šajā rokasgrāmatā aprakstīto Makita darbarīku. Izmantojot citus piederumus vai papildierīces, var tikt radīta trauma gūšanas bīstamība. Piederumu vai papildierīci izmantojiet tikai paredzētajam mērķim.

Ja jums vajadzīga palīdzība vai precīzāka informācija par šiem piederumiem, vērsieties savā tuvākajā Makita apkopes centrā.

- Skrūvgrieža uzgaļi
- Galatslēgas uzgaļi
- Uzgaļa daļa
- Darbarīka futrālis

## LIETUVIŲ KALBA (Originali instrukcija)

### SPECIFIKACIJOS

Modelis:		TD111D
Fiksavimo pajėgumas	Mašininis sraigtas	4 mm – 8 mm
	Standartinis varžtas	5 mm – 14 mm
	Labai atsparus tempimui varžtas	5 mm – 12 mm
Be apkrovos	Stiprus smūginis režimas	Nuo 0 iki 3 000 min <sup>-1</sup>
	Lengvas smūginis režimas	Nuo 0 iki 1 300 min <sup>-1</sup>
Smūgių per minutę	Stiprus smūginis režimas	Nuo 0 iki 3 900 min <sup>-1</sup>
	Lengvas smūginis režimas	Nuo 0 iki 1 600 min <sup>-1</sup>
Vardinė įtampa	Nuol. sr. 10,8 V	
Bendrasis ilgis	135 mm	
Akumuliatoriaus kasetė	BL1015, BL1020B	BL1040B
Grynasis svoris	0,97 kg	1,1 kg

- Atliekame tęstinius tyrimus ir nuolatos tobuliname savo gaminius, todėl čia pateikiamos specifikacijos gali būti keičiamos be įspėjimo.
- Įvairiose šalyse specifikacijos ir akumuliatoriaus kasetė gali skirtis.
- Svoris su akumuliatoriaus kasete pagal 2003-01 EPTA procedūrą

#### Numatytoji naudojimo paskirtis

Šis įrankis skirtas varžtams medienoje, metalė ir plastmasėje sukuti.

#### Triukšmas

Įprastas triukšmo A lygis, nustatytas pagal EN60745:  
Garso slėgio lygis ( $L_{pA}$ ): 94 dB (A)  
Garso galios lygis ( $L_{WA}$ ): 105 dB (A)  
Paklaida (K): 3 dB (A)

**ĮSPĖJIMAS:** Dėvėkite ausų apsaugą.

#### Vibracija

Vibracijos bendroji vertė (triašio vektoriaus suma) nustatyta pagal EN60745 standartą:  
Darbo režimas: įrankio didžiausios galios fiksatorių poveikį darantis suveržimas  
Vibracijos emisija ( $a_h$ ): 12,5 m/s<sup>2</sup>  
Paklaida (K): 1,5 m/s<sup>2</sup>

**PASTABA:** Paskelbtasis vibracijos emisijos dydis nustatytas pagal standartinį testavimo metodą ir jį galima naudoti vienam įrankiui palyginti su kitu.

**PASTABA:** Paskelbtasis vibracijos emisijos dydis taip pat gali būti naudojamas preliminariai įvertinti vibracijos poveikį.

**ĮSPĖJIMAS:** Faktiškai naudojant elektrinį įrankį, keliamos vibracijos dydis gali skirtis nuo paskelbtojo dydžio, priklausomai nuo būdų, kuriais yra naudojamas šis įrankis.

**ĮSPĖJIMAS:** Siekdami apsaugoti operatorių, būtina įvertinti saugos priemones, remdamiesi vibracijos poveikio įvertinimu esant faktinėms naudojimo sąlygoms (atsižvelgdami į visas darbo ciklo dalis, pavyzdžiui, ne tik kiek laiko įrankis veikia, bet ir kiek kartų jis yra išjungiamas bei kai jis veikia be apkrovų).

#### EB atitikties deklaracija

*Tik Europos šalims*

EB atitikties deklaracija yra pridedama kaip šio instrukcijų vadovo A priedas.

### SAUGOS ĮSPĖJIMAI

#### Bendrieji įspėjimai dirbant elektriniais įrankiais

**ĮSPĖJIMAS:** Perskaitykite visus saugos įspėjimus ir visą instrukciją. Nesilaikydami toliau pateiktų įspėjimų ir instrukcijų galite patirti elektros smūgį, gaisrą ir (arba) sunkų sužeidimą.

#### Išsaugokite visus įspėjimus ir instrukcijas, kad galėtumėte jas peržiūrėti ateityje.

Terminas „elektrinis įrankis“ pateiktuose įspėjimuose reiškia į maitinimo tinklą jungiamą (laidinį) elektrinį įrankį arba akumuliatoriaus maitinamą (belaidį) elektrinį įrankį.

## Saugos įspėjimai dėl belaidžio smūginio suktuvo naudojimo

1. Atlikdami darbus, kurių metu tvirtinimo elementas galėtų užkliudyti nematomą laidą arba savo paties laidą, laikykite elektrinius įrankius už izoliuotų paviršių. Užkliudžius laidą, kuriuo teka srovė, įtampa gali būti perduota neizoliuotoms metalinėms elektrinio įrankio dalims ir operatorius gali gauti elektros smūgį.
2. Būtinai įsitikinkite, kad tvirtai stovite. Jei naudojate įrankį aukštai, įsitikinkite, ar apačioje nėra žmonių.
3. Tvirtai laikykite įrenginį.
4. Naudokite klausos apsaugines priemones.
5. Nelieskite antgalio arba ruošinio tuoj pat po darbo. Jie gali būti nepaprastai karšti ir nudeginti odą.
6. Laikykite rankas toliau nuo sukamųjų dalių.

## SAUGOKITE ŠIAS INSTRUKCIJAS.

**▲PERSPĖJIMAS: NELEISKITE**, kad patogumas ir gaminio pažinimas (igyjamas pakartotinai naudojant) susilpnintų griežtą saugos taisyklių, taikytinų šiam gaminiui, laikymąsi.

Dėl NETINKAMO NAUDOJIMO arba saugos taisyklių, kurios pateiktos šioje instrukcijoje, nesilaikymo galima rimtai susižeisti.

## Svarbios saugos instrukcijos, taikomos akumulatoriaus kasetei

1. Prieš naudodami akumulatoriaus kasetę, perskaitykite visas instrukcijas ir perspėjimus ant (1) akumuliatorių įkroviklio, (2) akumuliatorių ir (3) akumuliatorių naudojančio gaminio.
2. Neardykite akumulatoriaus kasetės.
3. Jei įrankio darbo laikas žymiai sutrumpėjo, nedelsdami nutraukite darbą su įrankiu. Tai gali kelti perkaitimo, nudegimų ar net sprogdimo pavojų.
4. Jei elektrolitas pateko į akis, plaukite jas tyru vandeniu ir nedelsdami kreipkitės į gydytoją. Gali kilti regėjimo praradimo pavojus.
5. Neužtrumpinkite akumulatoriaus kasetės:
  - (1) Nelieskite kontaktų degiomis medžiagomis.
  - (2) Venkite laikyti akumulatoriaus kasetę kartu su kitais metaliniais daiktais, pavyzdžiui, vinimis, monetomis ir pan.
  - (3) Saugokite akumulatoriaus kasetę nuo vandens ir lietaus.Trumpasis jungimas akumulatoriuje gali sukelti stiprią srovę, perkaitimą, galimus nudegimus ar net akumulatoriaus gedimą.
6. Nelaikykite įrankio ir akumulatoriaus kasetės vietose, kur temperatūra gali pasiekti ar viršyti 50 °C.
7. Nedeginkite akumulatoriaus kasetės, net jei yra stipriai pažeista ar visiškai susidėvėjusi. Ugnyje akumulatoriaus kasetė gali sprogti.

8. Saugokite akumuliatorių nuo kritimo ir smūgių.
9. Nenaudokite pažeisto akumulatoriaus.
10. Įdėtoms ličio jonų akumuliatoriams taikomi Pavojingų prekių teisės akto reikalavimai. Komercinis transportas, pvz., trečiųjų šalių, prekių vežimo atstovų, turi laikytis specialaus reikalavimo ant pakuotės ir ženklavimo. Norėdami paruošti siųstiną prekę, pasitarkite su pavojingų medžiagų specialistu. Be to, laikykitės galimai išsamesnių nacionalinių reglamentų. Užklijuokite juosta arba padenkite atvirus kontaktus ir supakuokite akumuliatorių taip, kad ji pakuotėje nejudėtų.
11. Vadovaukitės vietos įstatymais dėl akumuliatorių išmetimo.

## SAUGOKITE ŠIAS INSTRUKCIJAS.

**▲PERSPĖJIMAS: Naudokite tik originalų „Makita“ akumuliatorių.** Neoriginalaus „Makita“ arba pakeisto akumulatoriaus naudojimas gali nulemti gaisrą, asmens sužalojimą ir pažeidimą. Tai taip pat panaikina „Makita“ suteikiamą „Makita“ įrankio ir įkroviklio garantiją.

## Patarimai, ką daryti, kad akumulatorius veiktų kuo ilgiau

1. Pakraukite akumulatoriaus kasetę prieš jai visiškai išsikraunant. Visuomet nustokite naudoti įrankį ir pakraukite akumulatoriaus kasetę, kai pastebite, kad įrankio galia sumažėjo.
2. Niekada nekraukite iki galo įkrautos akumulatoriaus kasetės. Perkraunant trumpėja akumulatoriaus eksploatacijos laikas.
3. Akumulatoriaus kasetę kraukite esant kambario temperatūrai 10 - 40 °C. Prieš pradėdami krauti, leiskite įkaitusiai akumulatoriaus kasetei atvėsti.

## VEIKIMO APRAŠYMAS

**▲PERSPĖJIMAS: Prieš pradėdami reguliuoti arba tikrinti įrankio veikimą, visuomet būtinai išjunkite įrankį ir išimkite akumulatoriaus kasetę.**

## Akumulatoriaus kasetės uždėjimas ir nuėmimas

**▲PERSPĖJIMAS: Prieš įdėdami arba išimdami akumulatoriaus kasetę, visada išjunkite įrankį.**

**▲PERSPĖJIMAS: Įdėdami arba išimdami akumulatoriaus kasetę, tvirtai laikykite įrankį ir akumulatoriaus kasetę.** Jeigu įrankį ir akumulatoriaus kasetę laikysite netvirtai, jie gali išslysti iš jūsų rankų, todėl įrankis ir akumulatoriaus kasetė gali būti sugadinti, o naudotojas sužalotas.

- Pav.1: 1. Raudonas indikatorius 2. Mygtukas 3. Akumulatoriaus kasetė

Jei norite išimti akumulatoriaus kasetę, ištraukite ją iš įrankio, stumdami mygtuką, esantį kasetės priekyje.

Jei norite įdėti akumulatoriaus kasetę, sulygiuokite liežuvėlį ant akumulatoriaus kasetės su grioveliu korpusė ir įstumkite į jai skirtą vietą. Įdėkite iki galo, kol spragtelėdama užsifiksuos. Jeigu matote raudoną indikatorių viršutinėje mygtuko pusėje, ji nėra visiškai užfiksuota.

**⚠️ PERSPĖJIMAS:** Akumulatoriaus kasetę visada įkiškite iki galo, kol nebematysite raudono indikatoriaus. Priešingu atveju ji gali atsitiktinai iškristi iš įrankio, sužeisti jus arba aplinkinius.

**⚠️ PERSPĖJIMAS:** Nekiškite akumulatoriaus kasetės įėga. Jeigu kasetė sunkiai lenda, ją kišate netinkamai.

## Akumulatoriaus apsaugos sistema

Įrankyje įrengta akumulatoriaus apsaugos sistema. Ši sistema automatiškai atjungia variklio maitinimą, kad pailgėtų akumulatoriaus naudojimo laikas. Įrankis automatiškai išsijungs darbo metu, esant vienai iš šių įrankio ir (arba) akumulatoriaus darbo sąlygų:

### Perkrautas:

Įrankis naudojamas taip, kad jame neįprastai padidėja elektros srovė.

Tokiu atveju atleiskite įrankio gaiduką ir nutraukite darbą, dėl kurio kilo įrankio perkrova. Po to vėl įjunkite įrankį.

Jeigu įrankis neįsijungia, reiškia perkaito akumulatorius. Tokiu atveju palaukite, kol akumulatoriaus atvės, paskui vėl galite įjungti įrankį.

### Žema akumulatoriaus įtampa:

Likęs akumulatoriaus įkrovos lygis per žemas, todėl įrankis neveiks. Įjungus įrankį, variklis pradeda veikti, bet netrukus vėl išsijungia. Tokiu atveju išimkite akumulatorių ir jį įkraukite.

## Likusios akumulatoriaus galios rodymas

Taikoma tik akumulatorių kasetėms, kurių modelio numerio gale yra „B“

► **Pav.2:** 1. Indikatorijų lemputės 2. Tikrinimo mygtukas

Paspauskite akumulatoriaus kasetės tikrinimo mygtuką, kad būtų rodoma likusi akumulatoriaus energija. Maždaug trims sekundėms užsidegs indikatorijų lemputės.

Indikatorijų lemputės		Likusi galia
Šviečia	Nešviečia	
■ ■ ■ ■	□	75% - 100%
■ ■ ■ □	□	50% - 75%
■ ■ □ □	□	25% - 50%
■ □ □ □	□	0% - 25%

**PASTABA:** Rodmuo gali šiek tiek skirtis nuo faktinės energijos lygio – tai priklauso nuo naudojimo sąlygų ir aplinkos temperatūros.

## Jungiklio veikimas

► **Pav.3:** 1. Gaidukas

**⚠️ PERSPĖJIMAS:** Prieš montuodami akumulatoriaus kasetę įrankyje, visuomet patikrinkite, ar gaidukas tinkamai veikia ir atleistas grįžta į išjungimo padėtį „OFF“.

Jei norite paleisti įrankį, tiesiog patraukite jungiklį. Stipriau spaudžiant gaiduką, įrankio veikimo greitis didėja. Norėdami išjungti, atleiskite svirtinį gaiduką.

**PASTABA:** Laikant nuspaudus gaiduką maždaug 6 minutes, įrankis automatiškai išsijungia.


## Priekinės lempučių uždegimas

**⚠️ PERSPĖJIMAS:** Nežiūrėkite tiesiai į šviesą arba šviesos šaltinį.

► **Pav.4:** 1. Lempučių

► **Pav.5:** 1. Mygtukas

Paspauskite gaiduką, kad įsijungtų lempučių. Norėdami išjungti, jį atleiskite. Atleidus gaiduką, lempučių užgęsta po maždaug 10 sekundžių.

Kad lempučių liktų išjungta, išjunkite lempučių būseną. Norėdami išjungti lempučių būseną, pirmiausia paspauskite ir atleiskite gaiduką. Tada per 10 sekundžių vienai sekunde nuspauskite mygtuką .

Norėdami vėl įjungti lempučių būseną, panašiai dar kartą paspauskite mygtuką.

**PASTABA:** Norėdami patvirtinti lempučių jungiklio padėtį, paspauskite gaiduką. Jeigu paspaudus gaiduką lempučių užsidega, lempučių jungiklis yra nustatytas į įjungimo padėtį. Jeigu lempučių neužsidega, lempučių jungiklis yra nustatytas į išjungimo padėtį.

**PASTABA:** Kai įrankis perkaista, vieną minutę žybsi lempučių, o paskui šviesdiodinis ekranas užgęsta. Tokiu atveju palaukite, kol įrankis atvės, kad galėtumėte vėl tęsti darbą.

**PASTABA:** Purvą nuo lempos objektyvo nuvalykite sausu skudurėliu. Būkite atsargūs, kad nesubraižytumėte lempos objektyvo, nes pablogės apšvietimas.

## Atbulinės eigos jungimas

► **Pav.6:** 1. Atbulinės eigos svirtelė

**⚠️ PERSPĖJIMAS:** Prieš naudodami visuomet patikrinkite sukimosi kryptį.

**⚠️ PERSPĖJIMAS:** Atbulinės eigos jungiklį naudokite tik įrankiui visiškai sustojus. Jei keisite sukimosi kryptį prieš įrankiui sustojant, galite sugadinti įrankį.

**⚠️ PERSPĖJIMAS:** Kai nenaudojate įrankio, visuomet nustatykite atbulinės eigos jungiklio svirtelę į neutralią padėtį.

Šis įrankis turi atbulinės eigos jungiklį sukimosi kryptį keisti. Nuspauskite atbulinės eigos jungiklio svirtelę iš A pusės, kad sukūptų pagal laikrodžio rodyklę, arba iš B pusės, kad sukūptų prieš laikrodžio rodyklę. Kai atbulinės eigos jungiklio svirtelė yra neutralioje padėtyje, jungiklio spausti negalima.

## Smūgio jėgos keitimas

- **Pav.7:** 1. Stiprus 2. Silpnas 3. A režimas  
4. Pakeitimas trimis veiksmiais 5. Mygtukas

Smūgiavimą galima nustatyti trimis veiksmiais, pasirenkant stipraus, vidutinio arba A smūgiavimo režimą. Tai leidžia pasirinkti darbui tinkamą priveržimą. Kiekvieną kartą paspaudus mygtuką, smūgių skaičius pasikeičia trimis veiksmiais.

A režimas (pagalb. režimas) yra paprastas naudoti režimas, skirtas sraigtams tvirtinti, užtikrinant tinkamą valdymą.

Šiuo režimu pirmiausia įrankis sraigtą gręžia iš lėto. Įrankiui pradėjus smūgiuoti, sukimosi greitis padidėja ir pasiekia maksimalų.

Praėjus maždaug vienai minutei po gaiduko atleidimo, smūgio jėgą galima pakeisti.

Smūgio jėgos laipsnis yra rodomas skydelyje	Maks. smūgių skaičius	Paskirtis	Užduoties pavyzdys
Stiprus 	3 900 min <sup>-1</sup> (/min.)	Užveržimas, kai reikalinga jėga ir greitis.	Medsraigčių sukimas, varžtų užveržimas.
Lengvas 	1 600 min <sup>-1</sup> (/min.)	Priveržimas mažesne jėga, kad sraigto sriegis nelūžtų.	Lango rėmo sraigtų, mažų sraigtų, pvz., M6, tvirtinimas.
A režimas 	3 900 min <sup>-1</sup> (/min.)	Sraigčių priveržimas užtikrinant geresnį valdymą.	Ilgų sraigčių priveržimas.

**PASTABA:** A režimas veikia tik tada, kai įrankis sukasi pagal laikrodžio rodyklę. Sukant prieš laikrodžio rodyklę A režimu, smūgio jėga ir greitis yra tokie patys kaip kietuoju režimu.

**PASTABA:** Kai užgęsta visos jungiklių skydelio lemputės, įrankis yra išjungtas akumulatoriaus energijai taupyti. Smūgio jėgos lygį galima patikrinti paspaudžiant gaiduką tiek, kad įrankis neveiktų.

**PASTABA:** Spaudžiant gaiduką, smūgio jėgos lygio keisti negalima.

## SURINKIMAS

**⚠PERSPĖJIMAS:** Prieš darydami ką nors įrankiui visada patikrinkite, ar įrenginys išjungtas, o akumuliatorių kasetė – nuimta.

### Suktuvo galvutės / sukimo antgalio dėjimas ir išėmimas

#### Pasirenkamas priedas

##### ► Pav.8

Naudokite tik tokią suktuvo galvutę / sukimo antgalį, kurio įkišama dalis yra tokia, kaip parodyta paveikslėlyje. Nenaudokite jokios kitos suktuvo galvutės / sukimo antgalio.

#### Įrankiui su negilia anga suktuvo galvutėms

A = 12 mm B = 9 mm	Naudokite tik šių tipų suktuvo galvutes. Atlikite 1 procedūrą. (Pastaba) Suktuvo antgalis nereikalingas.
-----------------------	--

#### Įrankiui su gilia anga suktuvo galvutėms

A = 17 mm B = 14 mm	Norėdami įtvirtinti šių tipų suktuvo galvutes, atlikite 1 procedūrą.
A = 12 mm B = 9 mm	Norėdami įtvirtinti šių tipų suktuvo galvutes, atlikite 2 procedūras. (Pastaba) Tvirtinant galvutę suktuvo antgalis reikalingas.

1. Norėdami įstatyti suktuvo galvutę, stumkite įvorę rodyklės kryptimi ir kiškite į ją suktuvo galvutę tiek, kiek ji lenda.

Tada atleiskite įvorę, kad galvutė užsifikuotų.

##### ► Pav.9: 1. Suktuvo galvutė 2. Įvorė

2. Norėdami įstatyti suktuvo galvutę, stumkite įvorę rodyklės kryptimi ir kiškite į ją suktuvo antgalį ir suktuvo galvutę tiek, kiek ji lenda. Suktuvo dalį į įvorę reikia kišti smailiuoju galu. Tada atleiskite įvorę ir suktuvo galvutė bus užtvirtinta.

##### ► Pav.10: 1. Suktuvo galvutė 2. Suktuvo antgalis 3. Įvorė

Norėdami ištraukti suktuvo galvutę, traukite įvorę rodyklės kryptimi ir ištraukite galvutę.

**PASTABA:** Jeigu suktuvo galvutės neįkišite į įvorę iki galo, įvorė nesugrįš į pradinę padėtį ir galvutė neužsifiksuos. Tokiu atveju dar kartą pabandykite įkišti galvutę, laikydamiesi anksčiau išdėstytų nurodymų.

**PASTABA:** Įdėję galvutę, įsitinkinkite, ar ji tvirtai pritvirtinta. Jei ji iškrenta, nenaudokite jos.

## Kabliuko montavimas

► Pav.11: 1. Griovelis 2. Kablys 3. Varžtas

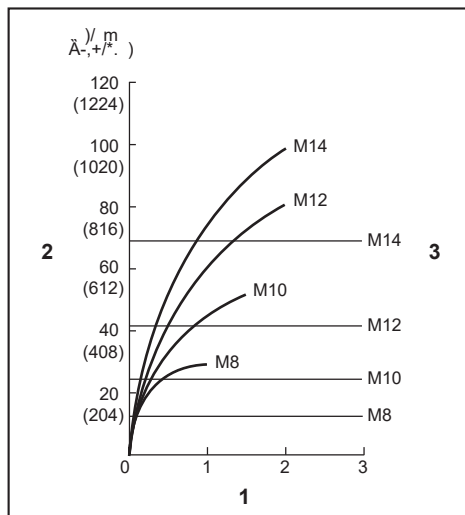
Kablys yra patogus, kai norite trumpam pakabinti įrankį. Jį galima uždėti bet kurioje įrankio pusėje. Norėdami sumontuoti kablį, įkiškite jį į bet kurioje įrankio korpuso pusėje esantį griovelį, po to priveržkite jį varžtu. Norėdami kablį nuimti, atsukite varžtą ir nuimkite jį.

## NAUDOJIMAS

► Pav.12

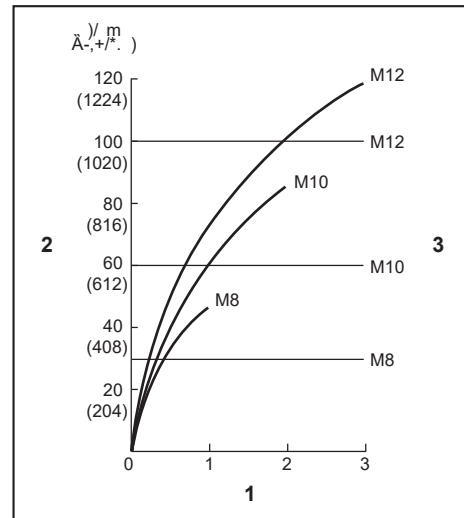
Tinkamas veržimo sukimo momentas kinta priklausomai nuo varžto / sraigto rūšies ir dydžio, ruošinio, į kurį jis įsukamas, medžiagos ir t. t. Veržimo sukimo momento ir veržimo laiko santykis parodytas paveikslėliuose.

### Standartinis varžtas



1. Užveržimo laikas (sekundėmis) 2. Užveržimo sukimo momentas 3. Tinkamas tvirtinimo sukimo momentas atitinka kiekvieno varžto skersmenį

### Labai atsparus tempimui varžtas



1. Užveržimo laikas (sekundėmis) 2. Užveržimo sukimo momentas 3. Tinkamas tvirtinimo sukimo momentas atitinka kiekvieno varžto skersmenį

Tvirtai laikydami įrankį, įkiškite sukimo antgalio galiuką į varžto galvutę. Spauskite įrankį į priekį tiek, kad suktuvo galvutė nenuslystų nuo varžto galvutės ir įjunkite įrankį.

**PASTABA:** Jeigu norite tęsti darbą, naudodami atsarginį akumuliatorių, palaukite bent 15 min., kol įrankis atvės.

**PASTABA:** Naudokite tinkamą sraigto / varžto galvutei gražtą.

**PASTABA:** Gręždami M8 arba mažesni varžtus, pasirinkite tinkamą poveikio jėgą ir atidžiai nustatykite gaiduko slėgį, kad nesugadintumėte varžto.

**PASTABA:** Įrankis turi būti nukreiptas tiesiai į varžtą.

**PASTABA:** Jeigu smūgio jėga yra per stipri arba veršite varžtą ilgiau, nei parodyta paveikslėliuose, varžtas arba pavaros mova gali būti persukta, perveržta, sugadinta ir pan. Prieš pradėdami darbą, visuomet atlikite bandomąjį veržimą, kad nustatytumėte tinkamą varžto veržimo laiką.

Veržimo sukimo momentui įtaką daro daugelis faktorių, įskaitant toliau nurodytus. Užveržę varžtą, visada dinamometrinu raktu patikrinkite sukimo momentą.

1. Kai akumuliatoriaus kasetė beveik visai išsikrauna, sumažėja įtampa ir veržimo sukimo momentas sumažėja.
2. Suktuvo galvutė arba sukimo antgalis. Naudojant netinkamo dydžio suktuvo galvutę arba sukimo antgalį, sumažėja veržimo sukimo momentas.
3. Varžtas
  - Netgi tada, kai sukimo momento koeficientas atitinka varžto kategoriją, tinkamas veržimo sukimo momentas skiriasi priklausomai nuo varžto skersmens.
  - Netgi tada, kai varžtų skersmuo toks pat, tinkamas veržimo sukimo momentas skiriasi, tai priklausomai nuo sukimo momento koeficiento, varžto kategorijos ir varžto ilgio.

4. Sukimo momentui įtaką daro įrankio laikymo būdas arba gręžiamos medžiagos, kurią reikia suveržti varžtais, padėtis.
5. Dirbant su įrankiu mažu greičiu, sumažės veržimo sukimo momentas.

**PASTABA:** Kai kurie sąraše esantys priedai gali būti pateikti įrankio pakuotėje kaip standartiniai priedai. Jie įvairiose šalyse gali skirtis.

## Dėklo naudojimas

### Pasirenkamas priedas

**⚠ PERSPĖJIMAS:** Naudodami dėklą, išimkite suktuvo galvutę / grąžto galvutę iš įrankio.

**⚠ PERSPĖJIMAS:** Išjunkite įrankį ir palaukite, kol jis visiškai sustos, tik tada dėkite jį į dėklą. Paspausdami mygtuką, tvirtai uždarykite dėklą, kad jis tvirtai laikytų įrankį.

1. Dėklą perjuoskite diržu ar kuo nors panašiu.  
▶ Pav.13: 1. Dėklo laikiklis 2. Liemens diržas
2. Įdėkite įrankį į dėklą ir uždarykite jį dėklo mygtuku.  
▶ Pav.14  
▶ Pav.15

Dvi sukimo galvutes galima laikyti dėklo priekyje.

## TECHNINĖ PRIEŽIŪRA

**⚠ PERSPĖJIMAS:** Visuomet įsitikinkite, ar įrankis yra išjungtas ir akumulatoriaus kasetė yra nuimta prieš atlikdami apžiūrą ir priežiūrą.

**PASTABA:** Niekada nenaudokite gazolino, benzino, tirpiklio, spirito arba panašių medžiagų. Gali atsirasti išblukimų, deformacijų arba įtrūkimų.

Kad gaminys būtų SAUGUS ir PATIKIMAS, jį taisyti, apžiūrėti ar vykdyti bet kokią kitą priežiūrą ar derinimą turi įgaliotasis kompanijos „Makita“ techninės priežiūros centras; reikia naudoti tik kompanijos „Makita“ pagamintas atsargines dalis.

## PASIRENKAMI PRIEDAI

**⚠ PERSPĖJIMAS:** Šiuos papildomus priedus arba įtaisus rekomenduojama naudoti su šioje instrukcijoje nurodytu „Makita“ bendrovės įrankiu. Naudojant bet kokius kitus papildomus priedus arba įtaisus, gali kilti pavojus sužeisti žmones. Naudokite tik nurodytam tikslui skirtus papildomus priedus arba įtaisus.

Jeigu norite daugiau sužinoti apie tuos priedus, kreipkitės į artimiausią „Makita“ techninės priežiūros centrą.

- Suktuvo galvutės
- Sukimo antgaliai
- Grąžtas
- Dėklas
- Kablys
- Plastikinis dėklas
- Originalus „Makita“ akumulatorius ir įkroviklis

## TEHNILISED ANDMED

Mudel:		TD111D	
Kinnitamisvõimekus	Metallikruvi	4 mm - 8 mm	
	Standardpolt	5 mm - 14 mm	
	Suure tõmbejõuga polt	5 mm - 12 mm	
Koormuseta kiirus	Tugev löögirežiim	0 - 3 000 min <sup>-1</sup>	
	Nõrk löögirežiim	0 - 1 300 min <sup>-1</sup>	
Löövide arv minutis	Tugev löögirežiim	0 - 3 900 min <sup>-1</sup>	
	Nõrk löögirežiim	0 - 1 600 min <sup>-1</sup>	
Nimipinge	Alalisvool 10,8 V		
Üldpikkus	135 mm		
Akukassett	BL1015, BL1020B	BL1040B	
Netokaal	0,97 kg	1,1 kg	

- Meie pideva uuringu- ja arendusprogrammi tõttu võidakse tehnilisi andmeid muuta ilma sellest ette teatamata.
- Tehnilised andmed ja akukassett võivad riigiti erineda.
- Kaal koos akukassetiga, EPTA-protseduuri 01/2003 kohaselt

## Kavandatud kasutus

Tööriist on ette nähtud kruvide kinnitamiseks puidust, metallist ja plastist materjalidesse.

## Müra

Tüüpiline A-korrigeeritud müratase, määratud standardi EN60745 kohaselt:

Helirõhutase ( $L_{pA}$ ): 94 dB (A)

Helivõimsuse tase ( $L_{WA}$ ): 105 dB (A)

Määramatus (K): 3 dB (A)

**HOIATUS:** Kasutage kõrvakaitsmeid.

## Vibratsioon

Vibratsiooni koguväärtus (kolmeteljeliste vektorite summa) määratud standardi EN60745 kohaselt:  
Töörežiim: fiksaatorite hetkkinetus tööriista täisvõimsuse korral

Vibratsiooniheide ( $a_h$ ): 12,5 m/s<sup>2</sup>

Määramatus (K): 1,5 m/s<sup>2</sup>

**MÄRKUS:** Deklareeritud vibratsiooniheite väärtus on mõõdetud kooskõlas standardse testimismeetodiga ning seda võib kasutada ühe seadme võrdlemiseks teisega.

**MÄRKUS:** Deklareeritud vibratsiooniheite väärtust võib kasutada ka mürataseme esmaseks hindamiseks.

**HOIATUS:** Vibratsioonitase võib elektritööriista tegelikkuses kasutamise ajal erineda deklareeritud väärtusest olenevalt tööriista kasutamise viisidest.

**HOIATUS:** Rakendage operaatori kaitsmiseks kindlasti piisavaid ohutusabinõusid, mis põhinevad hinnangulisel müratasemel tegelikus tööolukorras (võttes arvesse tööperioodi kõiki osasid, nagu näiteks korrad, kui seade lülitatakse välja ja seade töötab tühikäigul, lisaks tööajale).

## EÜ vastavusdeklaratsioon

*Ainult Euroopa riikide puhul*

EÜ vastavusdeklaratsioon sisaldub käesoleva juhendi Lisas A.

## OHUTUSHOIATUSED

## Üldised elektritööriistade ohutushoiatused

**HOIATUS:** Lugege läbi kõik ohutushoiatused ja juhtnõupid. Hoiatuste ja juhtnõupid mittejärgmine võib põhjustada elektrišokki, tulekahju ja/või tõsiseid vigastusi.

## Hoidke edaspidisteks viideteks alles kõik hoiatused ja juhtnõupid.

Hoiatustes kasutatud termini „elektritööriist“ all peetakse silmas elektriga töötavaid (juhtmega) elektritööriistu või akuga töötavaid (juhtmeta) elektritööriistu.



## Juhtmeta löökruvikeeraja ohutusnõuded

1. Hoidke elektritööriista isoleeritud haardepindadest, kui töötate kohas, kus kinnitusvahend võib sattuda kokkupuutesse varjatud elektrijuhtmetega. Kinnitusdetaili kokkupuude elektrijuhtmetega võib pingestada tööriista avatud metallosad, mille tulemusel võib operaator saada elektrilöögi.
2. Veenduge alati, et teie jalgealune oleks kindel. Kui töötate kõrguses, siis jälgige, et teist allpool ei viibiks inimesi.
3. Hoidke tööriistast kindlalt kinni.
4. Kasutage kuulmiskaitsmeid.
5. Ärge puudutage otsakut ega töödeldavat detaili vahetult pärast töö tegemist. Need võivad olla väga kuumad ja põletada teie nahka.
6. Hoidke käed eemal pöörlevatest osadest.

### HOIDKE JUHEND ALLES.

**⚠ HOIATUS:** ÄRGE UNUSTAGE järgida toote ohutusnõudeid mugavuse või toote (korduskasutamise saavutatud) hea tundmise tõttu.

VALE KASUTUS või kasutusjuhendi ohutuseeskirjade eiramine võib põhjustada tervisekahjustusi.

## Akukassetiga seotud olulised ohutusjuhised

1. Enne akukassetti kasutamist lugege (1) akulaadidajal, (2) akul ja (3) seadmel olevad juhtnõidid ja hoiatused läbi.
2. Ärge võtke akukassetti lahti.
3. Kui tööaeg järsult lüheneb, siis lõpetage kohe kasutamine. Edasise kasutamise tulemuseks võib olla ülekuumenemisoht, võimalikud põletused või isegi plahvatus.
4. Kui elektrolüüti satub silma, siis loputage silma puhta veega ja pöörduge koheselt arsti poole. Selline õnnetus võib põhjustada pimedaksjäämist.
5. Ärge tekitage akukassetis lühist:
  - (1) Ärge puutuge klemme elektrijuhtidega.
  - (2) Ärge hoidke akukassetti tööriistakastis koos metallesemetega, nagu naelad, mündid jne.
  - (3) Ärge tehke akukassetti märjaks ega jätke seda vihma kätte.Aku lühis võib põhjustada tugevat elektri-voolu, ülekuumenemist, põletusi ning ka seadet tõsiselt kahjustada.
6. Ärge hoidke tööriista ja akukassetti kohtades, kus temperatuur võib tõusta üle 50 °C.
7. Ärge põletage akukassetti isegi siis, kui see on saanud tõsiselt vigastada või on täiesti kulumud. Akukassett võib tules plahvatada.
8. Olge ettevaatlik, ärge laske akul maha kukkuda ja vältige lööke.
9. Ärge kasutage kahjustatud akut.
10. Sisalduvatele liitium-ioonakudele võivad kohalduda ohtlike kaupade õigusaktide nõuded. Kaubanduslikul transportimisel, näiteks kolmandate poolte või transpordiettevõtete poolt, tuleb

järgida pakendil ja siltidel toodud erinõudeid. Transportimiseks ettevalmistamisel on vajalik pidada nõu ohtliku materjali eksperdiga. Samuti tuleb järgida võimalike riiklike regulatsioonide üksikasjalikumaid nõudeid. Katke teibiga või varjake avatud kontaktid ja pakendage aku selliselt, et see ei saaks pakendis liikuda.

11. Järgige kasutuskõlbmatuks muutunud aku käitlemisel kohalikke eeskirju.

### HOIDKE JUHEND ALLES.

**⚠ ETTEVAATUST:** Kasutage ainult Makita originaalakusid. Mitte Makita originaalakude või muudetud akude kasutamine võib põhjustada akude süttimise, kehavigastuse ja kahjustuse. Samuti muudab see kehtetuks Makita tööriista ja laadija Makita garantii.

### Vihjeid aku maksimaalse kasutusaja tagamise kohta

1. Laadige akukassetti enne selle täielikku tühenemist. Kui märkate, et tööriist töötab väiksema võimsusega, peatage töö ja laadige akukassetti.
2. Ärge laadige täielikult laetud akukassetti. Ülelaadimine lühendab akude kasutusiga.
3. Laadige akukassetti toatemperatuuril 10 °C - 40 °C. Enne laadimist laske kuumenenud akukassetil maha jahtuda.

## FUNKTSIONAALNE KIRJELDUS

**⚠ ETTEVAATUST:** Kandke alati hoolt selle eest, et tööriist oleks enne reguleerimist ja kontrollimist välja lülitatud ja akukassett eemaldatud.

### Akukassetti paigaldamine või eemaldamine

**⚠ ETTEVAATUST:** Lülitage tööriist alati enne akukassetti paigaldamist või eemaldamist välja.

**⚠ ETTEVAATUST:** Akukassetti paigaldamisel või eemaldamisel tuleb tööriista ja akukassetti kindlalt paigal hoida. Kui tööriista ja akukassetti ei hoita kindlalt paigal, võivad need käest libiseda ning kahjustada tööriista ja akukassetti või põhjustada kehavigastusi.

► Joon.1: 1. Punane näidik 2. Nupp 3. Akukassett

Akukassetti eemaldamiseks libistage see tööriista küljest lahti, vajutades kassetti esiküljel paiknevat nuppu alla.

Akukassetti paigaldamiseks joondage akukassetti keel korpuse soonega ja libistage kassett oma kohale. Paigaldage akuadapter alati nii kaugele, et see lukustuks klõpsatusega oma kohale. Kui näete nupu ülaosas punast osa, pole kassett täielikult lukustunud.

**⚠ETTEVAATUST:** Paigaldage akukassett alati täies ulatuses nii, et punast osa ei jääks näha. Muidu võib adapter juhuslikult tööriistast välja kukkuda ning põhjustada teile või läheduses viibivatele isikutele vigastusi.

**⚠ETTEVAATUST:** Ärge rakendage akukasseti paigaldamisel jõudu. Kui kassett ei lähe kergesti sisse, pole see õigesti paigaldatud.

## Aku kaitsesüsteem

Tööriist on varustatud aku kaitsesüsteemiga. Süsteem lülitab mootori automaatselt välja, et pikendada aku tööiga. Tööriist seiskub käitamise ajal automaatselt, kui tööriista ja/või aku kohta kehtivad järgmised tingimused:

### Ülekoormus:

Tööriista kasutatakse viisil, mis põhjustab toitevoolu tugevuse tõusu lubatust kõrgemale. Sellisel juhul lülitage tööriist välja ning lõpetage tööriista ülekoormuse põhjustanud tegevus. Pärast seda käivitage tööriist uuesti.

Kui tööriist ei käivitu, on aku üle kuumenenud. Sellises olukorras laske akul enne tööriista uuesti sisselülitamist jahtuda.

### Madal akupinge:

Järelejäänud aku voolutugevus on liiga väike ja tööriist ei tööta. Tööriista sisse lülitades hakkab mootor tööle, kuid seiskub peatselt. Sellisel juhul eemaldage aku ja laadige seda.

## Aku jääkmahutavuse näit

**Ainult akukassetid, mille mudelinumber lõppeb tähega „B”**

► **Joon.2:** 1. Märgulambid 2. Kontrollimise nupp

Akukasseti järelejäänud mahutavuse kontrollimiseks vajutage kontrollimise nuppu. Märgulambid süttivad mõneks sekundiks.

Märgulambid		Jääkmahutavus
Pöleb	Ei põle	
■	□	75–100%
■ ■ ■ ■	□	50–75%
■ ■ ■ □	□ □	25–50%
■ □ □ □	□ □ □ □	0–25%

**⚠MÄRKUS:** Näidatud mahutavus võib veidi erineda tegelikust mahutavusest olenevalt kasutustingimustest ja ümbritseva keskkonna temperatuurist.

## Lüliti funktsioneerimine

► **Joon.3:** 1. Lüliti päästik

**⚠ETTEVAATUST:** Kontrollige alati enne akukasseti tööriista külge paigaldamist, kas lüliti päästik funktsioneerib nõuetekohaselt ja liigub lahtilaskmisel tagasi väljalülitatud asendisse.

Tööriista tööle panemiseks on vaja lihtsalt lüliti päästikut tõmmata. Tööriista kiirus kasvab siis, kui suurendate survet lüliti päästikule. Vabastage lüliti päästik tööriista seiskamiseks.

**⚠MÄRKUS:** Tööriist seiskub automaatselt, kui vajutate lülitipäästikut umbes 6 minutit.

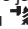
## Eesmise lambi süütamine

**⚠ETTEVAATUST:** Ärge vaadake otse valgusse ega valgusallikat.

► **Joon.4:** 1. Lamp

► **Joon.5:** 1. Nupp

Vajutage lambi sisselülitamiseks lüliti päästikut. Väljalülitamiseks vabastage päästik. Lamp kustub umbes 10 sekundit pärast lüliti päästiku vabastamist.

Lambi püsivalt väljalülitamiseks lülitage lambi olek välja. Lambi oleku väljalülitamiseks vajutage ja vabastage lüliti päästik. Seejärel vajutage nuppu  10 sekundi jooksul üks sekund.

Lambi oleku uuesti sisselülitamiseks vajutage nuppu samal moel uuesti.

**⚠MÄRKUS:** Lambi oleku kinnitamiseks vajutage päästikut. Kui lamp süttib lülitipäästiku vajutamisel, on lambi olek SISSE LÜLITATUD. Kui lamp ei sütti, on lambi olek VÄLJA LÜLITATUD.

**⚠MÄRKUS:** Kui tööriist on ülekuumenenud, hakkab tuli vilkuma ja jääb vilkuma üheks minutiks ning seejärel lülitub LED-näidik välja. Sellisel juhul laske tööriistal enne töö jätkamist maha jahtuda.

**⚠MÄRKUS:** Pühkige lamp kuiva lapiga puhtaks. Olge seda tehes ettevaatlik, et lambi läätse mitte kriimustada, sest muidu võib valgustus väheneda.

## Suunamuutmise lüliti töötamisviis

► **Joon.6:** 1. Suunamuutmise lüliti hoob

**⚠ETTEVAATUST:** Enne töö alustamist kontrollige alati pöörlemise suunda.

**⚠ETTEVAATUST:** Kasutage suunamuutmislülitit alles pärast tööriista täielikku seiskumist. Enne tööriista seiskumist suuna muutmine võib tööriista kahjustada.

**⚠ETTEVAATUST:** Kui tööriista ei kasutata, peab suunamuutmislülitit hoob olema alati neutraalses asendis.

Sellel tööriistal on suunamuutmise lüliti, millega saab muuta pöörlemise suunda. Suruge suunamuutmislülitit hoob A-küljel alla – tööriist pöörleb päripäeva, vastupäeva pöörlemiseks suruge see alla B-küljel. Kui suunamuutmislülitit hoob on neutraalses asendis, siis lüliti päästikut tõmmata ei saa.

## Löögijõu muutmine

- **Joon.7:** 1. Kõva 2. Pehme 3. Režiim A  
4. Kolmeetapiline muutmine 5. Nupp

Löögijõudu saate muuta kolmes etapis: tugev, nõrk ja režiim A.

See võimaldab teha tööle sobilikku pingutamist.

Nupu igal vajutuskorral muutub löökide arv kolmes etapis.

„A-režiim (abirežiim)” on lihtsalt kasutatav režiim tõhusaks kruvide keeramiseks.

Selles režiimis keerab tööriist kruvi alguses aeglase kiirusega. Kui tööriist on alustanud löömist, suureneb pöörlemiskiirus, mis kasvab maksimaalse kiiruseni.

Löögijõudu saab muuta umbes üks minut pärast lüliti-päästiku vabastamist.

Paneelile kuvatud löögijõuaste	Maksimaalsed löögid	Eesmärk	Kasutuse näide
Tugev 	3 900 min <sup>-1</sup> (/min)	Pingutamine, kui vajalikud on jõud ja kiirus.	Puidukruvide, poltide pingutamine.
Nõrk 	1 600 min <sup>-1</sup> (/min)	Pingutamine väiksema jõuga, et vältida kruvi keermepurunemist.	Väikeste kruvide, nagu M6 pingutamine.
A-režiim 	3 900 min <sup>-1</sup> (/min)	Kruvide keeramine tõhusamalt.	Pikkade kruvide keeramine.

**MÄRKUS:** Režiim A on kasutatav vaid siis, kui tööriist pöörleb päripäeva. Kui tööriist pöörleb režiimis A vastupäeva, on löögijõud ja kiirus samasugused nagu tugeva režiimi kasutamisel.

**MÄRKUS:** Kui lüliti-paneeli kõik lambid on kustunud, lülitub tööriist aku säästmiseks välja. Löögijõu taset on võimalik kontrollida, vajutades lüliti päästikut nii palju, et tööriist veel ei käivitu.

**MÄRKUS:** Lüliti päästikut vajutades ei ole löögijõu taset võimalik muuta.

## KOKKUPANEK

**⚠ETTEVAATUST:** Kandke alati hoolt selle eest, et tööriist oleks enne igasuguseid hooldustöid välja lülitatud ja akukassett eemaldatud.

### Kruvikeeraja otsaku/sokliotsaku paigaldamine või eemaldamine

#### Valikuline tarvik

- **Joon.8**

Kasutage ainult otsakut/sokliotsakut, mille sisestatav osa on joonisel näidatud. Ärge kasutage teistsuguseid kruvikeeraja otsakuid / sokliotsakuid.

#### Madala kruvikeeraja otsaku avaga seadmele

A = 12 mm B = 9 mm	Kasutage ainult seda tüüpi kruvikeeraja otsakut. Järgige toimingut 1. (Märkus) Otsakuhoidik ei ole vajalik.
-----------------------	---

#### Sügava kruvikeeraja otsaku avaga seadmele

A = 17 mm B = 14 mm	Seda tüüpi kruvikeeraja otsakute paigaldamiseks järgige toimingut 1.
A = 12 mm B = 9 mm	Seda tüüpi kruvikeeraja otsakute paigaldamiseks järgige toimingut 2. (Märkus) Otsaku paigaldamiseks on vajalik otsakuhoidik.

1. Kruvikeeraja otsaku paigaldamiseks tõmmake hülssi noole suunas ja torgake kruvikeeraja otsak võimalikult sügavale hülssi. Seejärel vabastage hülss kruvikeeraja otsaku kinnitamiseks.

- **Joon.9:** 1. Kruvikeeraja otsak 2. Hülss

2. Kruvikeeraja otsaku paigaldamiseks tõmmake hülssi noole suunas ning torgake otsakuhoidik ja kruvikeeraja otsak võimalikult sügavale hülssi. Otsakuhoidik tuleb panna hülssi nii, et terav ots oleks suunatud sissepoole. Seejärel vabastage hülss kruvikeeraja otsaku fikseerimiseks.

- **Joon.10:** 1. Kruvikeeraja otsak 2. Otsakuhoidik 3. Hülss

Kruvikeeraja otsaku eemaldamiseks tõmmake hülssi noole suunas ja tõmmake kruvikeeraja otsak välja.

**MÄRKUS:** Kui kruvikeeraja otsakut ei panda piisavalt sügavale hülssi, ei pöördu hülss tagasi algasendisse ja kruvikeeraja otsak ei fikseeru. Sel juhul proovige otsakut eespool toodud suuniste kohaselt uuesti paigaldada.

**MÄRKUS:** Pärast kruvikeeraja otsaku sisestamist kontrollige, kas see on tugevalt kinni. Kui see ei tule enam välja, ärge kasutage seda.

## Konksu paigaldamine

► **Joon.11:** 1. Soon 2. Konks 3. Krugi

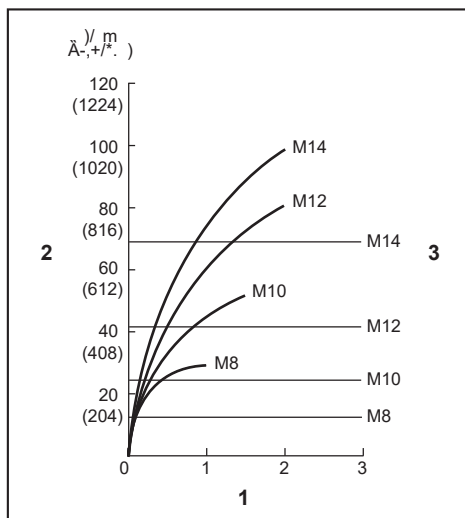
Konksu abil saate tööriista ajutiselt kuhugi riputada. Selle võib paigaldada tööriista ükskõik kummale küljele. Konksu paigaldamiseks torgake see tööriista korpuse ükskõik küljel olevasse õnarusse ja kinnitage kruviga. Eemaldamiseks lödvendage kruvi ja võtke see siis välja.

## TÖÖRIISTA KASUTAMINE

► **Joon.12**

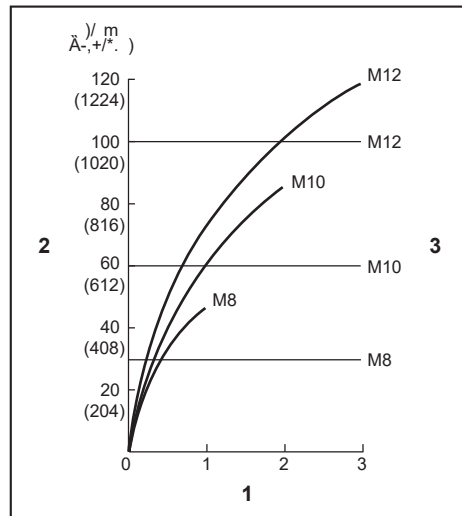
Õige väändmoment võib keeramisel varieeruda olenevalt kruvi/poldi tüübist ja suurusest, kinnitatava detaili materjalist jms. Väändmomendi ja kinnitusaja suhe on toodud joonistel.

### Standardpolt



1. Kinnitamisaeg (sekund) 2. Väändmoment 3. Poldi diameetritele vastav nõuetekohane kinnitusmoment

### Suure tõmbejõuga polt



1. Kinnitamisaeg (sekund) 2. Väändmoment 3. Poldi diameetritele vastav nõuetekohane kinnitusmoment

Hoidke tööriista kindlas haardes ja pange kruvikeeraja otsaku ots kruvipeas olevasse soonde. Suruge tööriista ette, et otsak ei libiseks kruvi pealt maha, ning lülitage tööriist töö alustamiseks sisse.

**TÄHELEPANU:** Kui kasutate töö jätkamiseks varuakut, laske tööriistal vähemalt 15 minutit puhata.

**MÄRKUS:** Kasutage keeratava kruviga/poldiga sobivat õiget otsakut.

**MÄRKUS:** Suurusega M8 või väiksema kruvi kinnikeeramisel kasutage sobivat lõõgijõudu ning vajutage lüliti päästikule ettevaatlikult, et kruvi mitte kahjustada.

**MÄRKUS:** Suunake tööriist otse kruvile.

**MÄRKUS:** Kui lõõgijõud on liiga tugev või kui keerate kruvi kauem kui joonistel näidatud, võib tagajärjeks olla kruvi või kruvikeeraja otsaku ülepingutamine, kahjustus vms. Enne töö alustamist tehke alati proovikeeramine, et teha kindlaks kruvi jaoks sobiv keeramisaeg.

Kinnikeeramiseks kuluvat aega mõjutavad mitmesugused tegurid, sealhulgas järgmised. Pärast kinnikeeramist kontrollige dünamomeetrilise võtmega alati väändmomenti.

1. Kui akukassett on peaaegu tühi, toimub pingelangus ja väändmoment väheneb.
2. Sokli- või kruvikeeraja otsak  
Vale suurusega Sokli- või kruvikeeraja otsaku kasutamine põhjustab väändmomendi vähenemist.
3. Polt
  - Isegi kui väändkoeffitsient ja poldi klass on samad, sõltub õige väändmoment keeramisel poldi läbimõõdust.
  - Isegi kui poltide läbimõõdud on samad, sõltub õige väändmoment keeramisel väändkoeffitsiendist, poldi klassist ja pikkusest.

- Tööriista või materjali hoidmise viis ja sisseminekunurk mõjutavad väändemomenti.
- Tööriista kasutamine väikesel kiirusel põhjustab väändemomendi vähenemise.

## Tööriistahoidiku kasutamine

### Valikuline tarvik

**⚠ETTEVAATUST:** Tööriistahoidiku kasutamisel eemaldage kruvikeeraja otsak / puuriotsak tööriistalt.

**⚠ETTEVAATUST:** Lülitage tööriist välja ja enne selle paigutamist tööriistahoidikusse oodake, kuni tööriist on täielikult seiskunud. Veenduge, et tööriistahoidik oleks tööriistahoidiku nõõbiga kindlalt suletud, nii et tööriist püsib kindlalt.

- Lükake püksirihm või muu sarnane rihm läbi tööriistahoidiku.  
▶ **Joon.13:** 1. Tööriistahoidik 2. Püksirihm
- Asetage tööriist hoidikusse ja sulgege see tööriistahoidiku nõõbiga.  
▶ **Joon.14**  
▶ **Joon.15**

Te saate kahte kruvikeeraja otsakut hoida tööriistahoidiku ees.

- Otsakumoodul
- Tööriistahoidik
- Konks
- Plastist kandekohver
- Makita algupärane aku ja laadija

**MÄRKUS:** Mõned nimekirjas loetletud tarvikud võivad kuuluda standardvarustusse ning need on lisatud tööriista pakendisse. Need võivad riigiti erineda.

## HOOLDUS

**⚠ETTEVAATUST:** Enne kontroll- või hooldustoimingute tegemist kandke alati hoolt selle eest, et tööriist oleks välja lülitatud ja akukassett korpuse küljest eemaldatud.

**TÄHELEPANU:** Ärge kunagi kasutage bensiini, vedeldit, alkoholi ega midagi muud sarnast. Selle tulemuseks võib olla luitumine, deformatsioon või pragunemine.

Toote OHUTUSE ja TÖÖKINDLUSE tagamiseks tuleb vajalikud remonttööd ning muud hooldus- ja reguleerimistööd lasta teha Makita volitatud teeninduskeskustes või tehase teeninduskeskustes. Alati tuleb kasutada Makita varuosi.

## VALIKULISED TARVIKUD

**⚠ETTEVAATUST:** Neid tarvikuid ja lisaseadiseid on soovitatav kasutada koos Makita tööriistaga, mille kasutamist selles kasutusjuhendis kirjeldatakse. Muude tarvikute ja lisaseadiste kasutamisega kaasneb vigastada saamise oht. Kasutage tarvikuid ja lisaseadiseid ainult otstarbekohaselt.

Saate vajaduse korral kohalikust Makita teeninduskeskusest lisateavet nende tarvikute kohta.

- Kruvikeeraja otsakud
- Sokliga otsakud

## ТЕХНИЧЕСКИЕ ХАРАКТЕРИСТИКИ

<b>Модель:</b>		<b>TD111D</b>
Усилие затяжки	Мелкий крепежный винт	4 - 8 мм
	Стандартный болт	5 - 14 мм
	Высокопрочный болт	5 - 12 мм
Число оборотов без нагрузки	Режим высокой мощности	0 - 3 000 мин <sup>-1</sup>
	Режим малой мощности	0 - 1 300 мин <sup>-1</sup>
Ударов в минуту	Режим высокой мощности	0 - 3 900 мин <sup>-1</sup>
	Режим малой мощности	0 - 1 600 мин <sup>-1</sup>
Номинальное напряжение		10,8 В пост. тока
Общая длина		135 мм
Блок аккумулятора		BL1015, BL1020B      BL1040B
Масса нетто		0,97 кг      1,1 кг

- Благодаря нашей постоянно действующей программе исследований и разработок указанные здесь технические характеристики могут быть изменены без предварительного уведомления.
- Технические характеристики и аккумуляторный блок могут отличаться в зависимости от страны.
- Масса (с аккумуляторным блоком) в соответствии с процедурой EPTA 01.2003

### Назначение

Инструмент предназначен для закручивания шурупов в древесину, металл и пластмассу.

### Шум

Типичный уровень взвешенного звукового давления (A), измеренный в соответствии с EN60745:  
 Уровень звукового давления (L<sub>рА</sub>): 94 дБ (A)  
 Уровень звуковой мощности (L<sub>пдА</sub>): 105 дБ (A)  
 Погрешность (K): 3 дБ (A)

**⚠ ОСТОРОЖНО:** Используйте средства защиты слуха.

### Вибрация

Суммарное значение вибрации (сумма векторов по трем осям), определенное в соответствии с EN60745:  
 Рабочий режим: твердая затяжка крепежных деталей при максимальной мощности инструмента  
 Распространение вибрации (a<sub>h</sub>): 12,5 м/с<sup>2</sup>  
 Погрешность (K): 1,5 м/с<sup>2</sup>

**ПРИМЕЧАНИЕ:** Заявленное значение распространения вибрации измерено в соответствии со стандартной методикой испытаний и может быть использовано для сравнения инструментов.

**ПРИМЕЧАНИЕ:** Заявленное значение распространения вибрации можно также использовать для предварительных оценок воздействия.

**⚠ ОСТОРОЖНО:** Распространение вибрации во время фактического использования электроинструмента может отличаться от заявленного значения в зависимости от способа применения инструмента.

**⚠ ОСТОРОЖНО:** Обязательно определите меры безопасности для защиты оператора, основанные на оценке воздействия в реальных условиях использования (с учетом всех этапов рабочего цикла, таких как выключение инструмента, работа без нагрузки и включение).

### Декларация о соответствии ЕС

*Только для европейских стран*

Декларация о соответствии ЕС включена в руководство по эксплуатации (Приложение А).

## МЕРЫ БЕЗОПАСНОСТИ

### Общие рекомендации по технике безопасности для электроинструментов

**⚠ ОСТОРОЖНО:** Ознакомьтесь со всеми инструкциями и рекомендациями по технике безопасности. Невыполнение инструкций и рекомендаций может привести к поражению электротоком, пожару и/или тяжелым травмам.

### Сохраните брошюру с инструкциями и рекомендациями для дальнейшего использования.

Термин "электроинструмент" в предупреждениях относится ко всему инструменту, работающему от сети (с проводом) или на аккумуляторах (без провода).

## Меры безопасности при использовании аккумуляторного ударного шуруповерта

1. Если при выполнении работ существует риск контакта инструмента со скрытой электропроводкой, держите электроинструмент за специально предназначенные изолированные поверхности. Контакт с проводом под напряжением приведет к тому, что металлические детали инструмента также будут под напряжением, что приведет к поражению оператора электрическим током.
2. При выполнении работ всегда занимайте устойчивое положение. При использовании инструмента на высоте убедитесь в отсутствии людей внизу.
3. Крепко держите инструмент.
4. Обязательно используйте средства защиты слуха.
5. Не касайтесь головки инструмента или детали сразу после окончания работы. Они могут быть очень горячими и причинить ожог.
6. Руки должны находиться на расстоянии от вращающихся деталей.

## СОХРАНИТЕ ДАННЫЕ ИНСТРУКЦИИ.

**⚠ ОСТОРОЖНО:** НЕ ДОПУСКАЙТЕ, чтобы удобство или опыт эксплуатации данного устройства (полученный от многократного использования) доминировали над строгим соблюдением правил техники безопасности при обращении с этим устройством. НЕПРАВИЛЬНОЕ ИСПОЛЬЗОВАНИЕ инструмента или несоблюдение правил техники безопасности, указанных в данном руководстве, может привести к тяжелой травме.

## Важные правила техники безопасности для работы с аккумуляторным блоком

1. Перед использованием аккумуляторного блока прочитайте все инструкции и предупреждающие надписи на (1) зарядном устройстве, (2) аккумуляторном блоке и (3) инструменте, работающем от аккумуляторного блока.
2. Не разбирайте аккумуляторный блок.
3. Если время работы аккумуляторного блока значительно сократилось, немедленно прекратите работу. В противном случае, может возникнуть перегрев блока, что приведет к ожогам и даже к взрыву.
4. В случае попадания электролита в глаза промойте их обильным количеством чистой воды и немедленно обратитесь к врачу. Это может привести к потере зрения.
5. Не замыкайте контакты аккумуляторного блока между собой:
  - (1) Не прикасайтесь к контактам какими-либо токопроводящими предметами.
  - (2) Не храните аккумуляторный блок в контейнере вместе с другими металлическими предметами, такими как гвозди,

монеты и т. п.

- (3) Не допускайте попадания на аккумуляторный блок воды или дождя. Замыкание контактов аккумуляторного блока между собой может привести к возникновению большого тока, перегреву, возможным ожогам и даже поломке блока.
6. Не храните инструмент и аккумуляторный блок в местах, где температура может достигать или превышать 50 °C (122 °F).
7. Не бросайте аккумуляторный блок в огонь, даже если он сильно поврежден или полностью вышел из строя. Аккумуляторный блок может взорваться под действием огня.
8. Не роняйте и не ударяйте аккумуляторный блок.
9. Не используйте поврежденный аккумуляторный блок.
10. Входящие в комплект литий-ионные аккумуляторы должны эксплуатироваться в соответствии с требованиями законодательства об опасных товарах. При коммерческой транспортировке, например, третьей стороной или экспедитором, необходимо нанести на упаковку специальные предупреждения и маркировку. В процессе подготовки устройства к отправке обязательно проконсультируйтесь со специалистом по опасным материалам. Также соблюдайте местные требования и нормы. Они могут быть строже. Закройте или закрепите разомкнутые контакты и упакуйте аккумулятор так, чтобы он не перемещался по упаковке.
11. Выполняйте требования местного законодательства относительно утилизации аккумуляторного блока.

## СОХРАНИТЕ ДАННЫЕ ИНСТРУКЦИИ.

**⚠ ВНИМАНИЕ:** Используйте только фирменные аккумуляторные батареи Makita. Использование аккумуляторных батарей, не произведенных Makita, или батарей, которые были подвергнуты модификациям, может привести к взрыву аккумулятора, пожару, травмам и повреждению имущества. Это также автоматически аннулирует гарантию Makita на инструмент и зарядное устройство Makita.

## Советы по обеспечению максимального срока службы аккумулятора

1. Заряжайте блок аккумуляторов перед его полной разрядкой. Обязательно прекратите работу с инструментом и зарядите блок аккумуляторов, если вы заметили снижение мощности инструмента.
2. Никогда не подзаряжайте полностью заряженный блок аккумуляторов. Перезарядка сокращает срок службы аккумулятора.
3. Заряжайте блок аккумуляторов при комнатной температуре в 10 - 40 °C (50 - 104 °F). Перед зарядкой горячего блока аккумуляторов дайте ему остыть.

## ОПИСАНИЕ РАБОТЫ

**ВНИМАНИЕ:** Перед регулировкой или проверкой функций инструмента обязательно убедитесь, что он выключен и его аккумуляторный блок снят.

### Установка или снятие блока аккумулятора

**ВНИМАНИЕ:** Обязательно выключайте инструмент перед установкой и извлечением аккумуляторного блока.

**ВНИМАНИЕ:** При установке и извлечении аккумуляторного блока крепко удерживайте инструмент и аккумуляторный блок. Если не соблюдать это требование, они могут выскользнуть из рук, что приведет к повреждению инструмента, аккумуляторного блока и травмированию оператора.

► **Рис.1:** 1. Красный индикатор 2. Кнопка 3. Блок аккумулятора

Для снятия аккумуляторного блока нажмите кнопку на лицевой стороне и извлеките блок.

Для установки аккумуляторного блока совместите выступ аккумуляторного блока с пазом в корпусе и задвиньте его на место. Устанавливайте блок до упора так, чтобы он зафиксировался на месте с небольшим щелчком. Если вы можете видеть красный индикатор на верхней части клавиши, адаптер аккумулятора не полностью установлен на месте.

**ВНИМАНИЕ:** Обязательно устанавливайте аккумуляторный блок до конца, чтобы красный индикатор не был виден. В противном случае аккумуляторный блок может выпасть из инструмента и нанести травму вам или другим людям.

**ВНИМАНИЕ:** Не прилагайте чрезмерных усилий при установке аккумуляторного блока. Если блок не двигается свободно, значит он вставлен неправильно.

### Система защиты аккумулятора

На инструменте предусмотрена система защиты аккумулятора. Она автоматически отключает питание двигателя для продления срока службы аккумулятора. Инструмент автоматически остановится во время работы при возникновении указанных ниже ситуаций.

#### Перегрузка:

Из-за способа эксплуатации инструмент потребляет очень большое количество тока.

В этом случае выключите инструмент и прекратите работу, повлекшую перегрузку инструмента. Затем включите инструмент для перезапуска.

Если инструмент не включается, значит перегрелся аккумуляторный блок. В этом случае дайте аккумулятору остыть перед повторным включением инструмента.

#### Низкое напряжение аккумуляторной батареи:

Уровень оставшейся емкости аккумулятора слишком низкий, и инструмент не работает. При включении инструмента электродвигатель запускается и вскоре останавливается. В этом случае снимите и зарядите аккумулятор.

## Индикация оставшегося заряда аккумулятора

Только для аккумуляторных блоков, номер модели которых заканчивается на "B"

► **Рис.2:** 1. Индикаторы 2. Кнопка проверки

Нажмите кнопку проверки на аккумуляторном блоке для проверки заряда. Индикаторы загорятся на несколько секунд.

Индикаторы		Уровень заряда
Горит	Выкл.	
■ ■ ■ ■ ■	□	от 75 до 100%
■ ■ ■ □	□	от 50 до 75%
■ ■ □ □	□ □	от 25 до 50%
■ □ □ □	□ □ □	от 0 до 25%

**ПРИМЕЧАНИЕ:** В зависимости от условий эксплуатации и температуры окружающего воздуха индикация может незначительно отличаться от фактического значения.

### Действие выключателя

► **Рис.3:** 1. Триггерный переключатель

**ВНИМАНИЕ:** Перед установкой аккумуляторного блока в инструмент обязательно убедитесь, что его триггерный переключатель нормально работает и возвращается в положение "OFF" (ВЫКЛ) при отпускании.

Для запуска инструмента просто нажмите на триггерный переключатель. Для увеличения числа оборотов нажмите триггерный переключатель сильнее. Отпустите триггерный переключатель для остановки.

**ПРИМЕЧАНИЕ:** Инструмент автоматически остановится, если удерживать триггерный переключатель нажатым примерно 6 минут.


### Включение передней лампы

**ВНИМАНИЕ:** Не смотрите непосредственно на свет или источник света.

► **Рис.4:** 1. Лампа

► **Рис.5:** 1. Кнопка

Нажмите на триггерный переключатель для включения подсветки. Для выключения отпустите переключатель. Лампа гаснет примерно через 10 секунд после отпускания триггерного переключателя.

Чтобы отключить подсветку, отключите лампу состояния. Чтобы отключить лампу состояния, потяните и отпустите триггерный переключатель. Затем выполните серию односекундных нажатий кнопки  на протяжении 10 секунд. Чтобы снова включить лампу состояния, повторно нажмите кнопку.



**ПРИМЕЧАНИЕ:** Для подтверждения состояния лампы нажмите на триггерный переключатель. Если лампа включается при нажатии на триггерный переключатель, кнопка лампы состояния находится в положении ВКЛ. Если лампа не включается, кнопка лампы состояния находится в положении ВЫКЛ.

**ПРИМЕЧАНИЕ:** При перегреве инструмента подсветка мигает в течение одной минуты, затем ЖК-дисплей гаснет. В этом случае дайте инструменту остыть, прежде чем продолжить работу.

**ПРИМЕЧАНИЕ:** Для удаления пыли с линзы лампы используйте сухую ткань. Не допускайте возникновения царапин на линзе лампы, так как это приведет к снижению освещенности.

## Действие реверсивного переключателя

► **Рис.6:** 1. Рычаг реверсивного переключателя

## Изменение силы удара

► **Рис.7:** 1. Твердый 2. Мягкий 3. Режим А 4. Изменяется в три этапа 5. Кнопка

Сила удара имеет трехступенчатую регулировку: режимы высокой, малой мощности и режим А. Это позволяет выбрать подходящий режим затяжки. При каждом нажатии кнопки количество ударов изменяется в три этапа.

“Режим А” (режим помощи) — простой режим для

**ВНИМАНИЕ:** Перед работой всегда проверьте направление вращения.

**ВНИМАНИЕ:** Используйте реверсивный переключатель только после полной остановки инструмента. Изменение направления вращения до полной остановки инструмента может привести к его повреждению.

**ВНИМАНИЕ:** Если инструмент не используется, обязательно переведите рычаг реверсивного переключателя в нейтральное положение.

Этот инструмент оборудован реверсивным переключателем для изменения направления вращения. Нажмите на рычаг реверсивного переключателя со стороны А для вращения по часовой стрелке или со стороны В для вращения против часовой стрелки. Когда рычаг реверсивного переключателя находится в нейтральном положении, триггерный переключатель нажать нельзя.

завинчивания винтов, обеспечивающий отличный контроль.

В этом режиме инструмент начинает закручивать винт с маленькой скоростью. Затем активируется ударное действие, скорость увеличивается и достигает максимальной.

Силу удара можно изменить спустя примерно одну минуту после отпущания триггерного переключателя.

Сила удара, отображаемая на экране	Максимальное количество ударов	Назначение	Пример применения
Высокая 	3 900 мин <sup>-1</sup> (мин)	Затяжка в случаях, когда требуется большое усилие и скорость.	Закручивание шурупов в дерево, затяжка болтов.
Малая 	1 600 мин <sup>-1</sup> (мин)	Затяжка с меньшим усилием во избежание повреждения резьбы винта.	Затяжка скользящих винтов, затяжка небольших винтов, таких как М6.
Режим А 	3 900 мин <sup>-1</sup> (мин)	Улучшенный контроль процесса затяжки винтов.	Затяжка длинных винтов.

**ПРИМЕЧАНИЕ:** Режим А доступен, только если инструмент вращается по часовой стрелке. При вращении против часовой стрелки в режиме А сила удара и скорость такие же, как в режиме максимальной мощности.

**ПРИМЕЧАНИЕ:** Если все индикаторы на панели погасли, инструмент отключен для экономии заряда аккумулятора. Уровень силы удара можно проверить, переведя триггерный переключатель в положение, при котором инструмент перестает работать.

**ПРИМЕЧАНИЕ:** При нажатом триггерном переключателе уровень силы удара изменить нельзя.

## СБОРКА

**ВНИМАНИЕ:** Перед проведением каких-либо работ с инструментом обязательно убедитесь, что инструмент отключен, а блок аккумулятора снят.

### Установка или снятие насадки для отвертки/гнездовой биты

#### Дополнительные принадлежности

##### ► Рис.8

Используйте только насадки для отвертки или гнездовые биты с хвостовиком, указанным на рисунке. Не используйте насадки для отвертки или гнездовые биты других типов.

#### Для инструмента с небольшим углублением под насадку

A=12 мм B=9 мм	Используйте только указанные типы насадки для отвертки. Выполните процедуру 1. (Примечание) Переходник не нужен.
-------------------	--

#### Для инструмента с большим углублением под насадку

A=17 мм B=14 мм	Для установки насадок данных типов выполните процедуру (1).
A=12 мм B=9 мм	Для установки насадок данных типов выполните процедуру (2). (Примечание) Для установки насадки необходим переходник.

- Для установки насадки сдвиньте муфту по стрелке и вставьте насадку в муфту до упора. Затем отпустите муфту, чтобы зафиксировать насадку.

##### ► Рис.9: 1. Насадка для отвертки 2. Муфта

- Для установки насадки сдвиньте муфту по стрелке и вставьте переходник и насадку в муфту до упора. Переходник следует устанавливать в муфту заостренной стороной внутрь. Затем отпустите муфту, чтобы зафиксировать насадку.

##### ► Рис.10: 1. Насадка для отвертки 2. Переходник 3. Муфта

Для снятия насадки потяните муфту в направлении, указанном стрелкой, и вытяните насадку.

**ПРИМЕЧАНИЕ:** Если не вставить насадку в муфту достаточно глубоко, муфта не вернется в первоначальное положение и насадка не будет закреплена. В таком случае попытайтесь повторно вставить насадку в соответствии с инструкциями выше.

**ПРИМЕЧАНИЕ:** После установки насадки для отвертки проверьте надежность ее фиксации. Если насадка выходит из держателя, не используйте ее.

## Установка крючка

### ► Рис.11: 1. Паз 2. Крючок 3. Винт

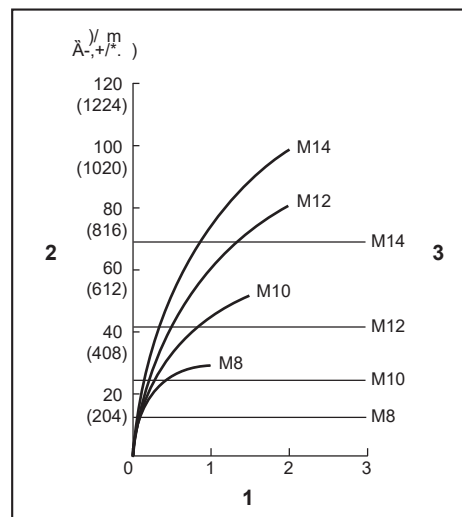
Крючок удобен для временного подвешивания инструмента. Он может быть установлен с любой стороны инструмента. Для установки крючка вставьте его в паз в корпусе инструмента с одной из сторон и закрепите при помощи винта. Чтобы снять крючок, необходимо сначала отвернуть винт.

## ЭКСПЛУАТАЦИЯ

### ► Рис.12

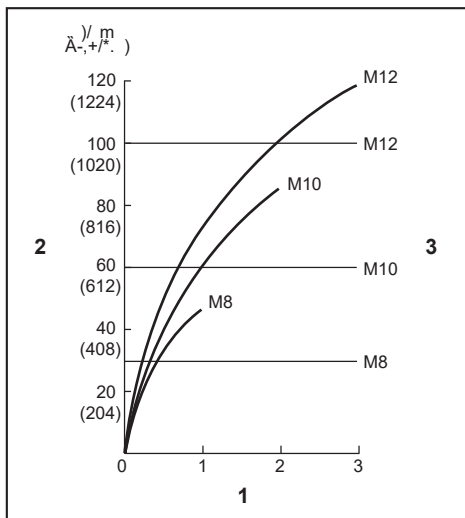
Соответствующий крутящий момент затяжки может отличаться в зависимости от типа или размера винта/болта, материала закрепляемой рабочей детали и т. д. Соотношение между крутящим моментом затяжки и временем затяжки показано на рисунках.

#### Стандартный болт



1. Время затяжки (с)
2. Момент затяжки
3. Надлежащий момент затяжки в соответствии с диаметром каждого болта

### Высокопрочный болт



1. Время затяжки (с) 2. Момент затяжки  
3. Надлежащий момент затяжки в соответствии с диаметром каждого болта

Крепко возьмитесь за инструмент и вставьте острие насадки для отвертки в головку винта. Надавите на инструмент в такой степени, чтобы насадка не соскользнула с винта, и включите инструмент для начала работы.

**ПРИМЕЧАНИЕ:** Если для продолжения работы вы используете запасной аккумулятор, перед включением инструмента выждите не менее 15 минут.

**ПРИМЕЧАНИЕ:** Пользуйтесь насадкой, подходящей для винта или головки, с которыми вы будете работать.

**ПРИМЕЧАНИЕ:** При затяжке винтов M8 или меньше тщательно выбирайте силу удара нажатием на триггерный переключатель, чтобы не повредить винт.

**ПРИМЕЧАНИЕ:** Держите инструмент прямо по отношению к винту.

**ПРИМЕЧАНИЕ:** Если сила удара слишком велика или затяжка винта происходит дольше, чем указано на рисунках, винт или насадка для отвертки могут быть перегружены, повреждены и т. д. Перед началом работы обязательно выполняйте пробную операцию, чтобы определить соответствующее время затяжки винта.

Крутящий момент затяжки зависит от множества различных факторов, включая следующее. После затяжки обязательно проверьте крутящий момент с помощью динамометрического ключа.

1. Если блок аккумулятора разряжен почти полностью, напряжение упадет, а крутящий момент затяжки уменьшится.
2. Насадка для отвертки или гнездовая бита. Использование насадки или гнездовой биты неправильного размера приведет к уменьшению крутящего момента затяжки.

### 3. Болт

- Даже несмотря на то, что коэффициент крутящего момента и класс болта одинаковы, соответствующий крутящий момент затяжки будет различным в зависимости от диаметра болта.
  - Даже несмотря на то, что диаметры болтов одинаковы, соответствующий крутящий момент затяжки будет различным в зависимости от коэффициента крутящего момента, класса и длины болта.
4. Способ удержания инструмента или материала в положении крепления повлияет на крутящий момент.
  5. Эксплуатация инструмента на низкой скорости приведет к уменьшению крутящего момента затяжки.

### Использование кобуры

#### Дополнительные принадлежности

**ВНИМАНИЕ:** При использовании кобуры снимите насадку для отвертки/головку сверла с инструмента.

**ВНИМАНИЕ:** Перед тем, как положить инструмент в кобур, выключите его и дождитесь полной остановки.

Убедитесь, что кобура прочно закрыта (используйте соответствующую кнопку) и инструмент зафиксирован.

1. Проденьте поясной ремень или его аналог через держатель кобуры.  
► Рис.13: 1. Держатель кобуры 2. Поясной ремень
2. Положите инструмент в кобур и закройте его с помощью кнопки на кобуре.

► Рис.14

► Рис.15

В передней части кобуры могут храниться две насадки для отвертки.

### ОБСЛУЖИВАНИЕ

**ВНИМАНИЕ:** Перед проведением проверки или работ по техобслуживанию всегда проверяйте, что инструмент выключен, а блок аккумуляторов снят.

**ПРИМЕЧАНИЕ:** Запрещается использовать бензин, растворители, спирт и другие подобные жидкости. Это может привести к обесцвечиванию, деформации и трещинам.

Для обеспечения БЕЗОПАСНОСТИ и НАДЕЖНОСТИ оборудования ремонт, любое другое техобслуживание или регулировку необходимо производить в уполномоченных сервис-центрах Makita или сервис-центрах предприятия с использованием только сменных частей производства Makita.

## ДОПОЛНИТЕЛЬНЫЕ ПРИНАДЛЕЖНОСТИ

**ВНИМАНИЕ:** Данные принадлежности или приспособления рекомендуются для использования с инструментом Makita, указанным в настоящем руководстве. Использование других принадлежностей или приспособлений может привести к получению травмы. Используйте принадлежность или приспособление только по указанному назначению.

Если вам необходимо содействие в получении дополнительной информации по этим

принадлежностям, свяжитесь с вашим сервис-центром Makita.

- Насадки для отвертки
- Гнездовые биты
- Переходник
- Кобура
- Крючок
- Пластмассовый чемодан для переноски
- Оригинальный аккумулятор и зарядное устройство Makita

**ПРИМЕЧАНИЕ:** Некоторые элементы списка могут входить в комплект инструмента в качестве стандартных приспособлений. Они могут отличаться в зависимости от страны.

Makita Europe N.V. Jan-Baptist Vinkstraat 2,  
3070 Kortenberg, Belgium

Makita Corporation 3-11-8, Sumiyoshi-cho,  
Anjo, Aichi 446-8502 Japan

[www.makita.com](http://www.makita.com)

885522-984  
EN, SV, NO, FI, LV,  
LT, ET, RU  
20160526