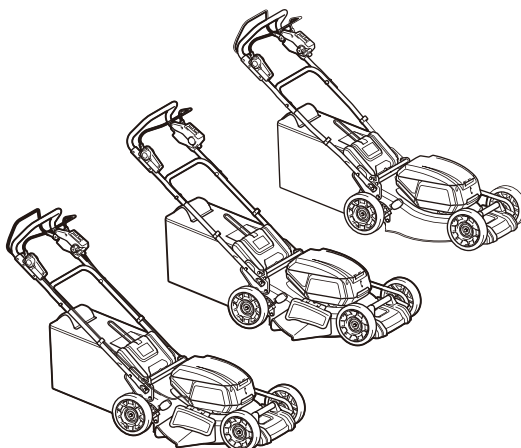


EN	Cordless Lawn Mower	INSTRUCTION MANUAL	9
SV	Batteridrivnen gräsklippare	BRUKSANVISNING	21
NO	Batteridrevet gressklipper	BRUKSANVISNING	33
FI	Akkukäyttöinen ruohonleikkuri	KÄYTTÖOHJE	45
LV	Bezvada zāles pļaujmašīna	LIETOŠANAS INSTRUKCIJA	57
LT	Belaidė vejapjovė	NAUDOJIMO INSTRUKCIJA	69
ET	Juhtmeta muruniiduk	KASUTUSJUHEND	81
RU	Аккумуляторная Газонокосилка	РУКОВОДСТВО ПО ЭКСПЛУАТАЦИИ	93

DLM462
DLM530
DLM532



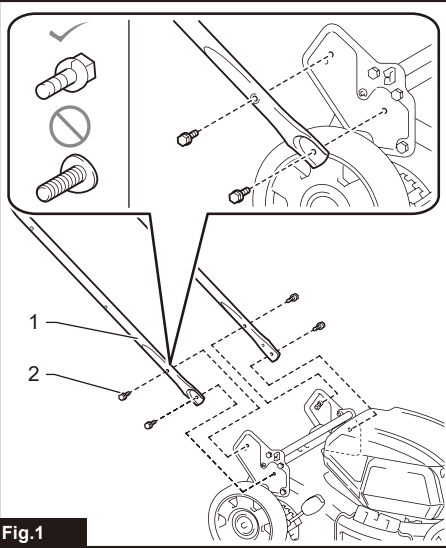


Fig.1

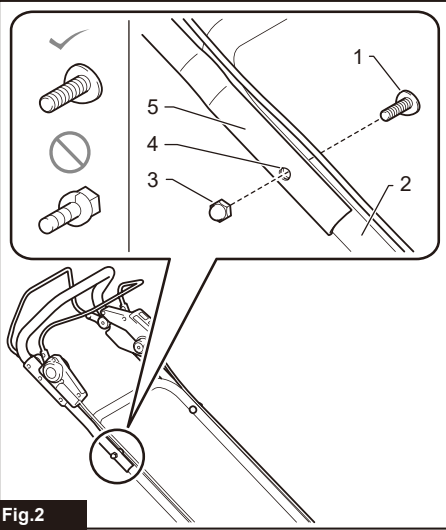


Fig.2

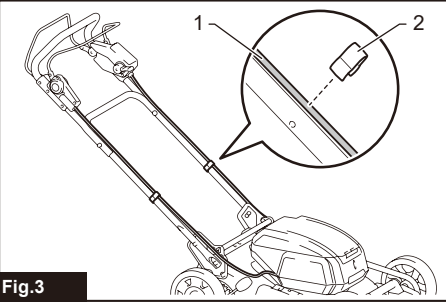


Fig.3

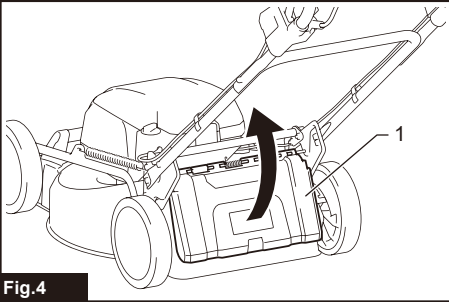


Fig.4

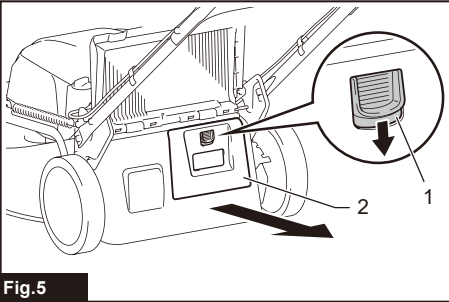


Fig.5

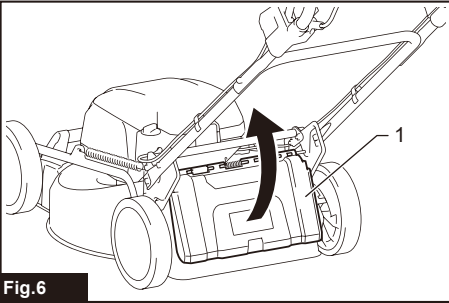


Fig.6

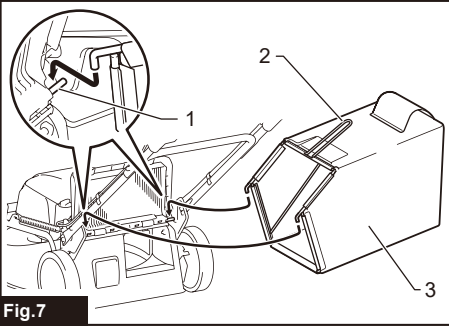


Fig.7

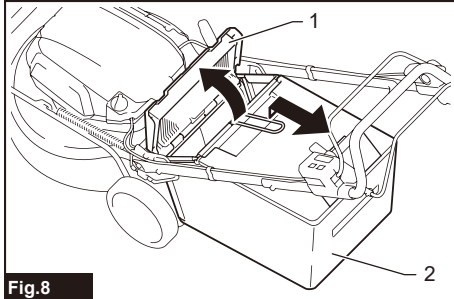


Fig. 8

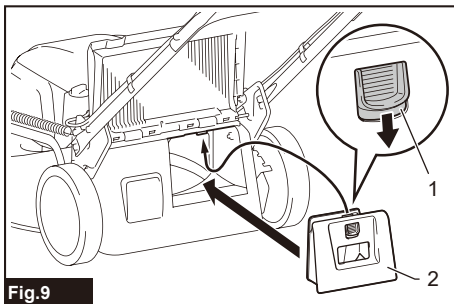


Fig. 9

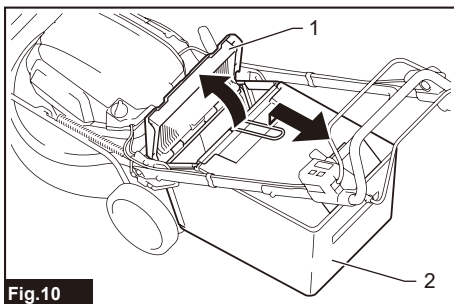


Fig. 10

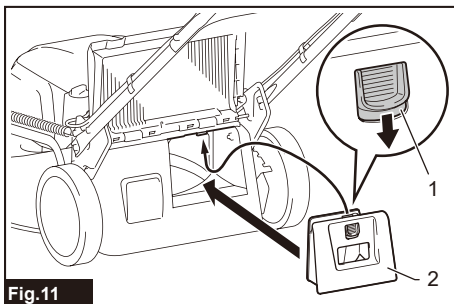


Fig. 11

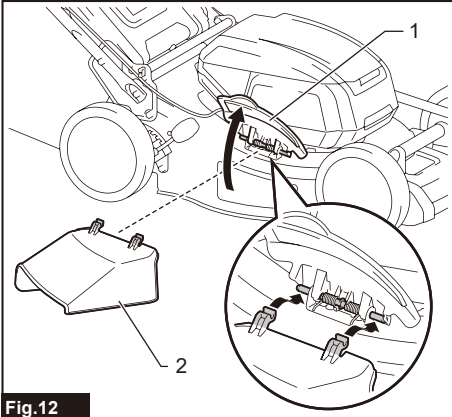


Fig. 12

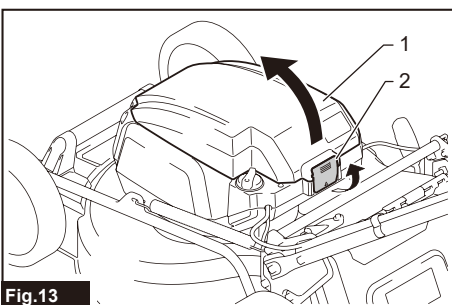


Fig. 13

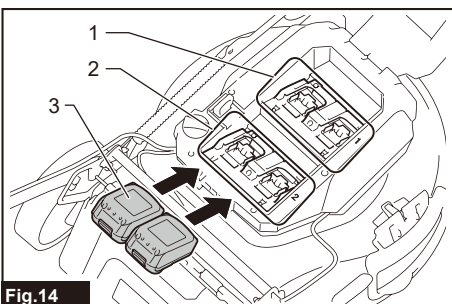


Fig. 14

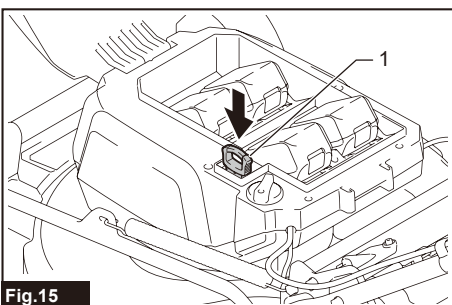


Fig. 15

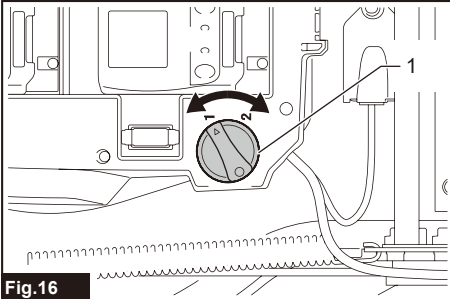


Fig. 16

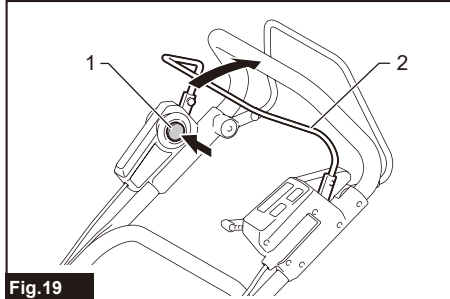


Fig. 19

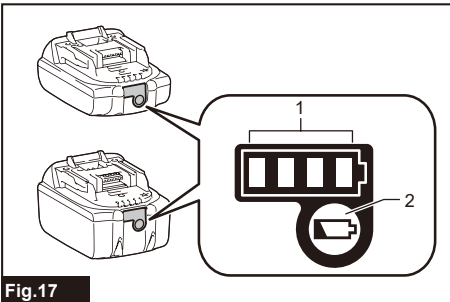


Fig. 17

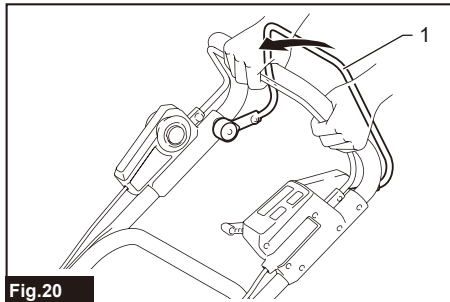


Fig. 20

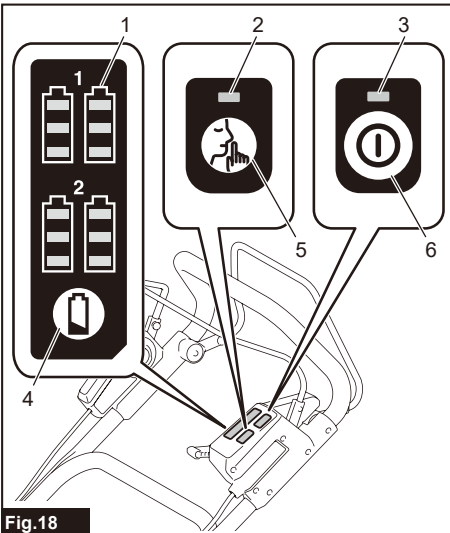


Fig. 18

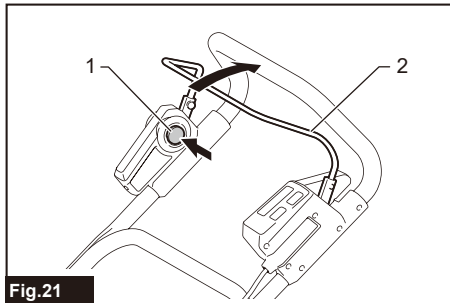


Fig. 21

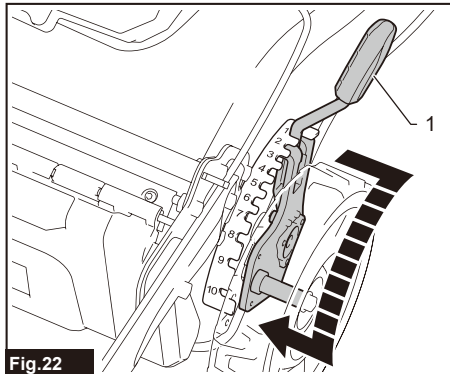


Fig. 22

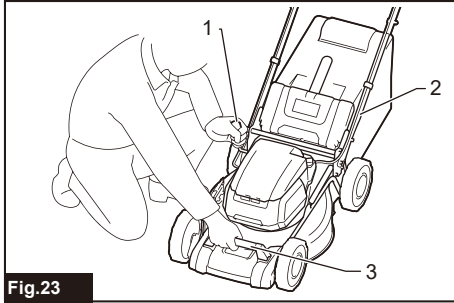


Fig.23

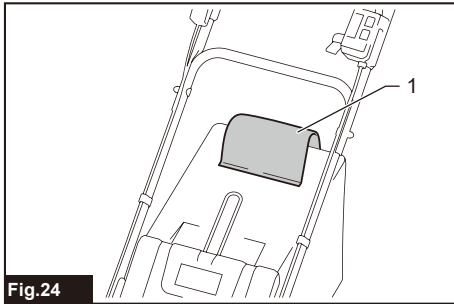


Fig.24

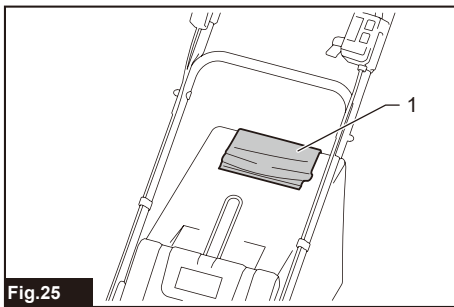


Fig.25

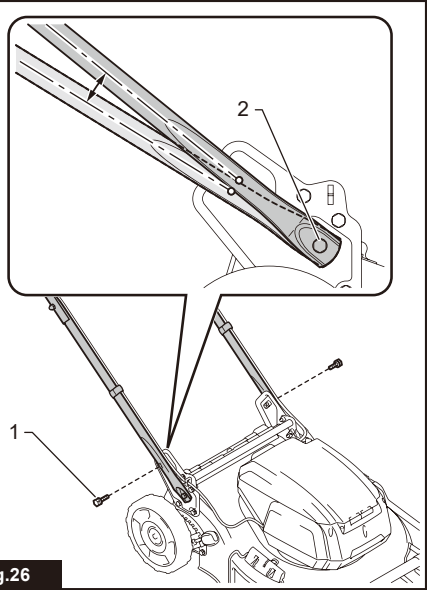


Fig.26

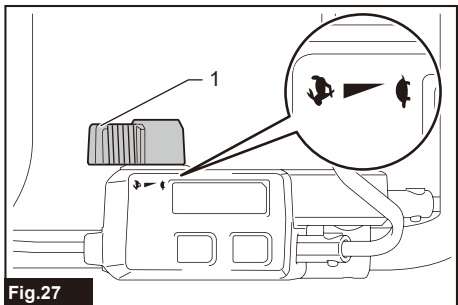


Fig.27

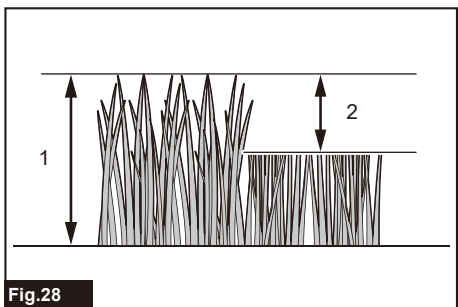


Fig.28



Fig.29

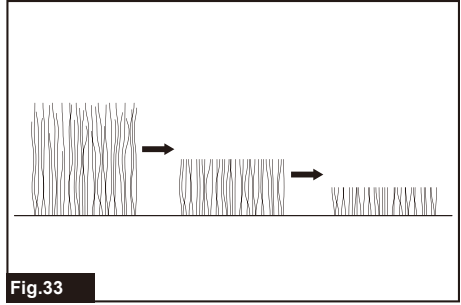


Fig.33

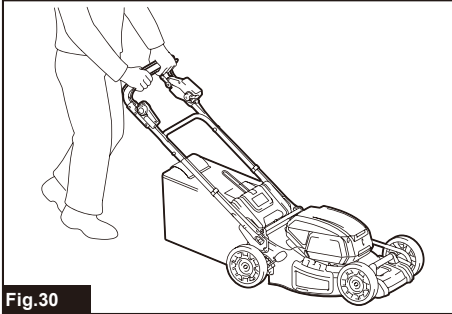


Fig.30

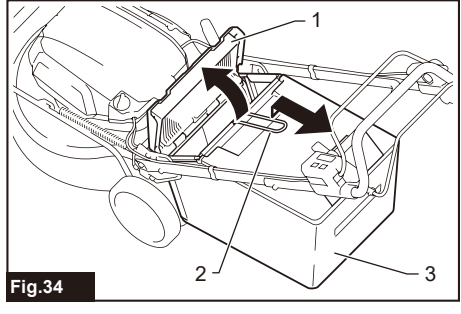


Fig.34

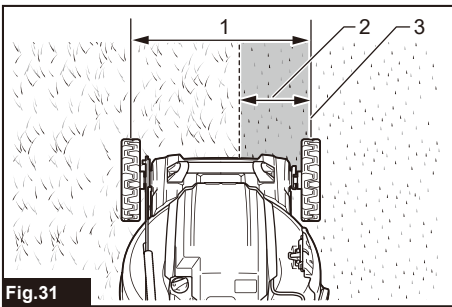


Fig.31

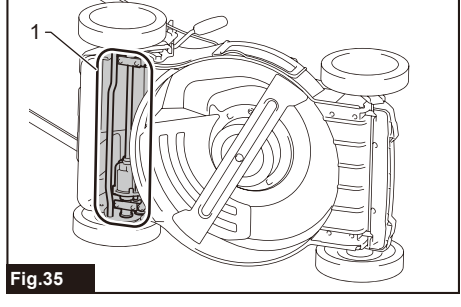


Fig.35

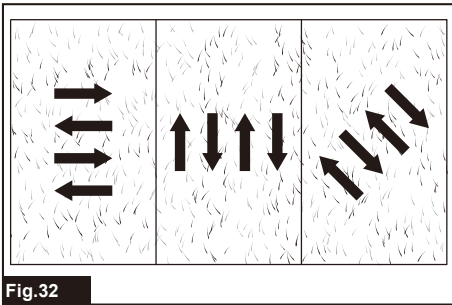
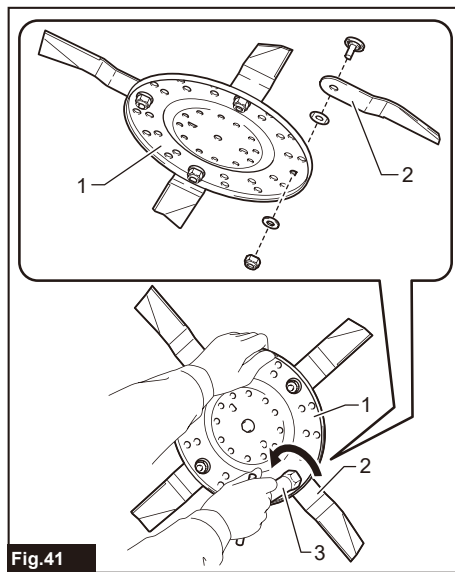
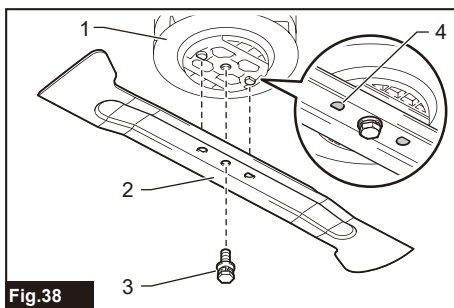
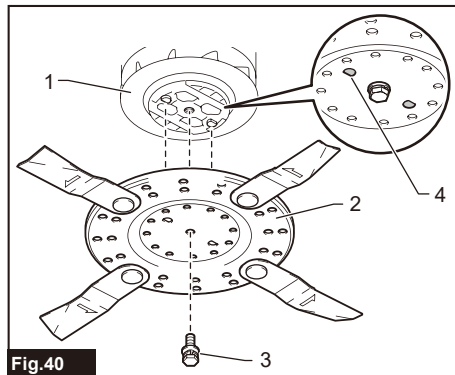
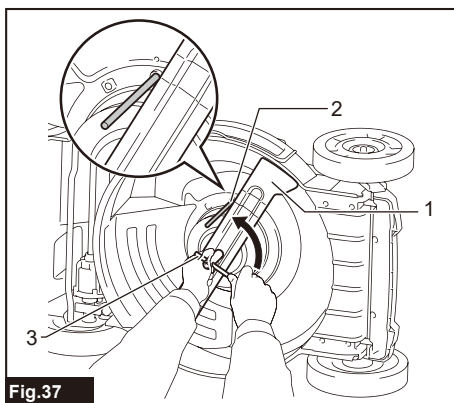
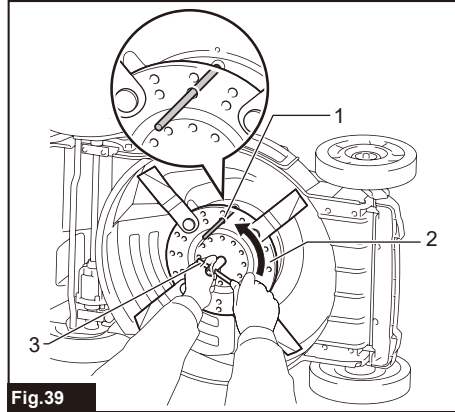
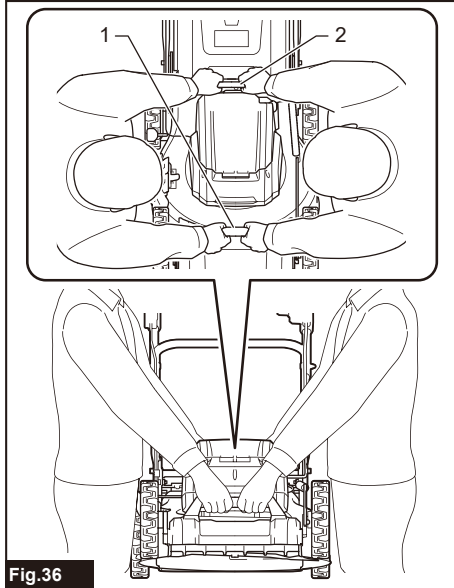
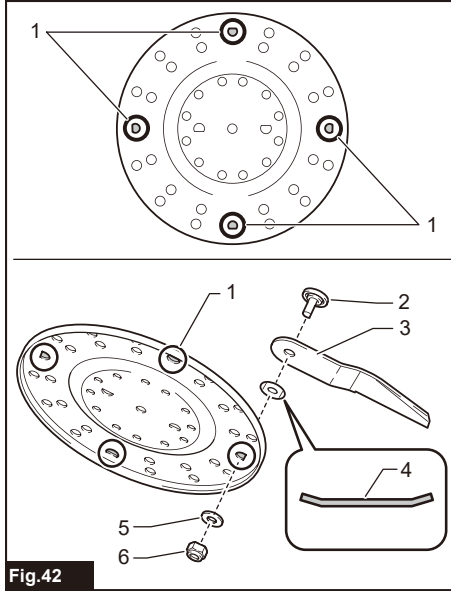


Fig.32





SPECIFICATIONS

Model:		DLM462	DLM530	DLM532
Mowing width (blade diameter)		460 mm	534 mm	
No load speed		2,500 min ⁻¹	2,300 min ⁻¹	
Maximum speed		3,300 min ⁻¹	2,800 min ⁻¹	
Part number of replacement mower blade	Straight mower blade	191D51-9	191D52-7	
	Swing back mower blades *1	191D49-6	191D50-1	
	Swing back mower blades *2	191D47-0	191D48-8	
Dimensions (L x W x H)		L: 1,610 mm to 1,690 mm W: 535 mm H: 980 mm to 1,095 mm	L: 1,630 mm to 1,715 mm W: 590 mm H: 990 mm to 1,095 mm	
Traveling speed		2.5 - 5.0 km/h	–	2.5 - 5.0 km/h
Rated voltage		D.C. 36 V		
Net weight	When straight mower blade is installed	35.3 - 39.0 kg	35.5 - 39.3 kg	39.0 - 42.8 kg
	When swing back mower blades are installed	36.0 - 39.7 kg	36.2 - 40.0 kg	39.7 - 43.5 kg
Protection degree		IPX4		

*1. Base plate and individual mower blades.

*2. Individual mower blades only.

- Due to our continuing program of research and development, the specifications herein are subject to change without notice.
- Specifications may differ from country to country.
- The weight may differ depending on the attachment(s), including the battery cartridge. The lightest and heaviest combination, according to EPTA-Procedure 01/2014, are shown in the table.

Applicable battery cartridge







BL1815N / BL1820 / BL1820B / BL1830 / BL1830B / BL1840 / BL1840B / BL1850 / BL1850B / BL1860B

- Some of the battery cartridges listed above may not be available depending on your region of residence.

⚠ WARNING: Only use the battery cartridges listed above. Use of any other battery cartridges may cause injury and/or fire.

Symbols

The followings show the symbols used for the equipment. Be sure that you understand their meaning before use.

	Take particular care and attention.
	Read instruction manual.
	Danger; be aware of thrown objects.
	The distance between the tool and bystanders must be at least 15 m.
	Never put your hands and feet near the blade under the mower. Blades continue to rotate after the motor is switched off.
	Remove the lock key before inspecting, adjusting, cleaning, servicing, leaving and storing the mower.



Electrical hazard. Contact with water can cause electric shock.



Do not pour water.



Only for EU countries
Do not dispose of electric equipment or battery pack together with household waste material!
In observance of the European Directives, on Waste Electric and Electronic Equipment and Batteries and Accumulators and Waste Batteries and Accumulators and their implementation in accordance with national laws, electric equipment and batteries and battery pack(s) that have reached the end of their life must be collected separately and returned to an environmentally compatible recycling facility.

Intended use

The machine is intended for lawn mowing.

Noise

The typical A-weighted noise level determined according to EN60335-2-77:

NOTE: The values have been measured with the mower equipped with the straight mower blade.

Model DLM462

Sound pressure level (L_{pA}) : 82.7 dB(A)

Sound power level (L_{WA}) : 90.9 dB (A)

Uncertainty (K) : 3 dB(A)

Model DLM530

Sound pressure level (L_{pA}) : 78.1 dB(A)

Sound power level (L_{WA}) : 90.4 dB (A)

Uncertainty (K) : 3 dB(A)

Model DLM532

Sound pressure level (L_{pA}) : 78.1 dB(A)

Sound power level (L_{WA}) : 90.4 dB (A)

Uncertainty (K) : 3 dB(A)

The noise level under working may exceed 80 dB (A).

NOTE: The declared noise emission value(s) has been measured in accordance with a standard test method and may be used for comparing one tool with another.

NOTE: The declared noise emission value(s) may also be used in a preliminary assessment of exposure.

⚠ WARNING: Wear ear protection.

⚠ WARNING: The noise emission during actual use of the power tool can differ from the declared value(s) depending on the ways in which the tool is used especially what kind of workpiece is processed.

⚠ WARNING: Be sure to identify safety measures to protect the operator that are based on an estimation of exposure in the actual conditions of use (taking account of all parts of the operating cycle such as the times when the tool is switched off and when it is running idle in addition to the trigger time).

Vibration

The vibration total value (tri-axial vector sum) determined according to EN60335-2-77:

NOTE: The values have been measured with the mower equipped with the straight mower blade.

Model DLM462

Vibration emission (a_h) : 2.5 m/s² or less

Uncertainty (K) : 1.5 m/s²

Model DLM530

Vibration emission (a_h) : 2.5 m/s² or less

Uncertainty (K) : 1.5 m/s²

Model DLM532

Vibration emission (a_h) : 2.5 m/s² or less

Uncertainty (K) : 1.5 m/s²

NOTE: The declared vibration total value(s) has been measured in accordance with a standard test method and may be used for comparing one tool with another.

NOTE: The declared vibration total value(s) may also be used in a preliminary assessment of exposure.

⚠ WARNING: The vibration emission during actual use of the power tool can differ from the declared value(s) depending on the ways in which the tool is used especially what kind of workpiece is processed.

⚠ WARNING: Be sure to identify safety measures to protect the operator that are based on an estimation of exposure in the actual conditions of use (taking account of all parts of the operating cycle such as the times when the tool is switched off and when it is running idle in addition to the trigger time).

EC Declaration of Conformity

For European countries only

The EC declaration of conformity is included as Annex A to this instruction manual.

SAFETY WARNINGS

IMPORTANT SAFETY INSTRUCTIONS

⚠ WARNING: Read all safety warnings and all instructions. Failure to follow the warnings and instructions may result in electric shock, fire and/or serious injury.

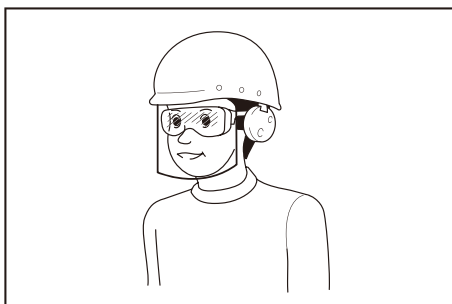
Save all warnings and instructions for future reference.

Training

1. Read the instructions carefully. Be familiar with the controls and the proper use of the mower.
2. Never allow children or people unfamiliar with these instructions to use the mower. Local regulations can restrict the age of the operator.
3. Never operate the mower while people, especially children, or pets are nearby.
4. Keep in mind that the operator or user is responsible for accidents or hazards occurring to other people or their property.
5. Children should be supervised to ensure that they do not play with the mower.
6. Physical condition - Do not operate mower while under the influence of drugs, alcohol, or any medication.

Preparation

1. While operating the mower, always wear substantial footwear and long trousers. Do not operate the mower when barefoot or wearing open sandals. Avoid wearing clothing or jewelry that is loose fitting or that has hanging cords or ties. They can be caught in moving parts.
2. Before use, always visually inspect the mower for damaged, missing or misplaced guards or shields.
3. Be sure the area is clear of other people before mowing. Stop mower if anyone enters the area.
4. Do not insert the lock key into mower until it is ready to be used.
5. Always wear protective goggles to protect your eyes from injury when using power tools. The goggles must comply with ANSI Z87.1 in the USA, EN 166 in Europe, or AS/NZS 1336 in Australia/New Zealand. In Australia/New Zealand, it is legally required to wear a face shield to protect your face, too.



It is an employer's responsibility to enforce the use of appropriate safety protective equipments by the tool operators and by other persons in the immediate working area.

6. Check the blades or blade bolts carefully for cracks or damage before operation. Replace cracked or damaged blades or blade bolts immediately.
7. Remove foreign matters such as rocks, wire, bottles, bones and large sticks from the work area before mowing to prevent personal injury or damage to the mower.
8. Objects struck by the mower blade can cause severe injuries to persons. The lawn should always be carefully examined and cleared of all objects prior to each mowing.
9. Watch for holes, ruts, bumps, rocks, or other hidden objects. Uneven terrain could cause a slip and fall accident. Tall grass can hide obstacles.
10. Do not insert or remove the lock key in the rain.
11. Use personal protective equipment. Always wear eye protection. Protective equipment such as a dust mask, non-skid safety shoes, hard hat or hearing protection used for appropriate conditions will reduce personal injuries.

Operation

1. Do not overreach. Keep the balance at all times. Always be sure of the footing on slopes. Walk, never run.
2. Stop the mower and remove the lock key, and make sure that all moving parts have come to a complete stop:
 - whenever you leave the mower,
 - before clearing blockages or unclogging chute,
 - before checking, cleaning or working on the mower,
 - after striking a foreign object. Inspect the mower for damage and make repairs before restarting and operating the mower,
 - whenever the mower starts vibrating abnormally.
3. Never operate the mower with defective guards or shields, or without safety devices, for example deflectors and/or grass basket, in place.
4. Avoid using the mower in bad weather conditions especially when there is a risk of lightning.
5. Wear eye protection and stout shoes at all times while operating the mower.
6. Operate the mower only in daylight or in good artificial light.
7. Switch on the mower carefully according to instructions and with feet well away from the blade(s).
8. Take care against injury to feet and hands from the mower blades.
9. Always ensure that the ventilation openings are kept clear of debris.
10. Mow across the face of slopes, never up and down. Exercise extreme caution when changing direction on slopes. Do not mow excessively steep slopes.
11. Use extreme caution when reversing or pulling the mower towards you.
12. Stop the blade(s) if the mower has to be tilted for transportation when crossing surfaces other than grass, and when transporting the mower to and from the area to be used.
13. Do not tilt the mower when switching on the motor, except if the mower has to be tilted for starting. In this case, do not tilt it more than absolutely necessary and lift only the part, which is away from the operator. Always ensure that both hands are in the operating position before returning the mower to the ground.
14. Do not put hands or feet near or under rotating parts. Keep clear of the discharge opening at all times.
15. Do not transport the mower while the mower is turned on.
16. Avoid operating the mower in wet grass.
17. Always keep a firm hold on the handle.
18. Don't grasp the exposed cutting blades or cutting edges when picking up or holding the mower.

19. **Keep hands and feet away from rotating blades. Caution - Blades coast after the mower is switched off.**
20. **Stop operation immediately if you notice anything unusual. Switch off the mower and remove the lock key. Then inspect the mower.**
21. **Never attempt to make cutting height adjustments while mower is running if the mower has cutting height adjustment feature.**
22. **Release switch lever and wait for blade rotation to stop before crossing driveways, walks, roads, and any gravel-covered areas. Also remove the lock key if you leave the mower, reach to pick up or remove something out of your way, or for any other reason that may distract you from what you are doing.**
23. **If the mower strikes a foreign object, follow these steps:**
 - Stop the mower, release the switch lever and wait until the blade comes to a complete stop.
 - Remove the lock key and the battery cartridge.
 - Thoroughly inspect the mower for any damage.
 - Replace the blade if it is damaged in any way. Repair any damage before restarting and continuing to operate the mower.
24. **Do not start the mower when standing in front of the discharge opening.**
25. **If the mower starts to vibrate abnormally (check immediately)**
 - inspect for damage,
 - replace or repair any damaged parts,
 - check for and tighten any loose parts.
26. **Never direct discharged material toward anyone. Avoid discharging material against a wall or obstruction. Material may ricochet back toward the operator. Stop the blade when crossing gravel surfaces.**
27. **Do not pull the mower backwards unless absolutely necessary. When you are compelled to back the mower from a fence or other similar obstruction, look down and behind before and while moving backwards.**
28. **Shut the motor off and wait until the blade comes to a complete stop before removing the grass catcher. Beware that the blades coast after turn off.**
29. **When you use the machine on muddy ground, wet slope, or slippery place, pay attention to your footing.**
30. **Avoid working in poor environment where increased user fatigue is expected.**
31. **Do not use the machine in bad weather where visibility is limited. Failure to do so may cause fall or incorrect operation due to low visibility.**
32. **Do not submerge the machine into a puddle.**
33. **When wet leaves or dirt adhere to the suction mouth (ventilation window) due to rain, remove them.**
34. **Do not use the machine in the snow.**
35. **If the cut-off grass is wet, it is likely to be clogged inside of the machine. Check the condition of the machine regularly, and remove the adhered grass as necessary.**
36. **When operating the machine, pay attention to piping and wiring.**

37. **Do not use a corded power supply such as battery adapter or portable power pack with this machine. The cable of such power supply may hinder the operation and result in personal injury.**

Maintenance and storage

1. **Replace worn or damaged parts for safety. Use only genuine replacement parts and accessories.**
2. **Inspect and maintain the mower regularly.**
3. **When not in use, store the mower out of the reach of children.**
4. **Keep all nuts, bolts, and screws tight to be sure the equipment is in safe working condition.**
5. **Check the grass basket frequently for wear or deterioration. For storage, always make sure the grass basket is empty. Replace a worn grass basket with a new factory replacement for safety.**
6. **Use only the manufacturer genuine blades specified in this manual.**
7. **Be careful during adjustment of the mower to prevent entrapment of the fingers between moving blades and fixed parts of the mower.**
8. **Check the blade mounting bolt at frequent intervals for proper tightness.**
9. **Always allow the mower to cool down before storing.**
10. **When servicing the blades be aware that, even though the power source is switched off, the blades can still be moved.**
11. **Never remove or tamper with safety devices. Check their proper operation regularly. Never do anything to interfere with the intended function of a safety device or to reduce the protection provided by a safety device.**
12. **Do not leave the machine unattended outdoors in the rain.**
13. **Do not wash the machine with high pressure water.**
14. **When washing the machine, be sure to remove the battery and lock key and close the battery cover, and pour water toward the bottom of the machine to which the blade is attached.**
15. **When storing the machine, avoid direct sunlight and rain, and store it in a place where it does not get hot or humid.**
16. **Perform inspection or maintenance in a place where rain can be avoided.**
17. **After using the machine, remove the adhered dirt and dry the machine completely before storing. Depending on the season or the area, there is a risk of malfunction due to freezing.**

Battery tool use and care

1. **Recharge only with the charger specified by the manufacturer. A charger that is suitable for one type of battery pack may create a risk of fire when used with another battery pack.**
2. **Use power tools only with specifically designated battery packs. Use of any other battery packs may create a risk of injury and fire.**
3. **When battery pack is not in use, keep it away from other metal objects, like paper clips, coins, keys, nails, screws or other small metal objects, that can make a connection from one terminal to another. Shorting the battery terminals together may cause burns or a fire.**

4. Under abusive conditions, liquid may be ejected from the battery; avoid contact. If contact accidentally occurs, flush with water. If liquid contacts eyes, additionally seek medical help. Liquid ejected from the battery may cause irritation or burns.
5. Do not use a battery pack or tool that is damaged or modified. Damaged or modified batteries may exhibit unpredictable behaviour resulting in fire, explosion or risk of injury.
6. Do not expose a battery pack or tool to fire or excessive temperature. Exposure to fire or temperature above 130 °C may cause explosion.
7. Follow all charging instructions and do not charge the battery pack or tool outside the temperature range specified in the instructions. Charging improperly or at temperatures outside the specified range may damage the battery and increase the risk of fire.

Electrical and battery safety

1. Do not dispose of the battery(ies) in a fire. The cell may explode. Check with local codes for possible special disposal instructions.
2. Do not open or mutilate the battery(ies). Released electrolyte is corrosive and may cause damage to the eyes or skin. It may be toxic if swallowed.
3. Do not charge battery in rain, or in wet locations.
4. Do not charge the battery outdoors.
5. Do not handle charger, including charger plug, and charger terminals with wet hands.
6. Do not replace the battery in the rain.
7. Do not wet the terminal of battery with liquid such as water, or submerge the battery. Do not leave the battery in the rain, nor charge, use, or store the battery in a damp or wet place. If the terminal gets wet or liquid enters inside of battery, the battery may be short circuited and there is a risk of overheat, fire, or explosion.
8. After removing the battery from the machine or charger, be sure to attach the battery cover to the battery and store it in a dry place.
9. Do not replace the battery with wet hands.

Service

1. Have your power tool serviced by a qualified repair person using only identical replacement parts. This will ensure that the safety of the power tool is maintained.
2. Never service damaged battery packs. Service of battery packs should only be performed by the manufacturer or authorized service providers.

SAVE THESE INSTRUCTIONS.

⚠WARNING: DO NOT let comfort or familiarity with product (gained from repeated use) replace strict adherence to safety rules for the subject product.

MISUSE or failure to follow the safety rules stated in this instruction manual may cause serious personal injury.

Important safety instructions for battery cartridge

1. Before using battery cartridge, read all instructions and cautionary markings on (1) battery charger, (2) battery, and (3) product using battery.
2. Do not disassemble battery cartridge.
3. If operating time has become excessively shorter, stop operating immediately. It may result in a risk of overheating, possible burns and even an explosion.
4. If electrolyte gets into your eyes, rinse them out with clear water and seek medical attention right away. It may result in loss of your eyesight.
5. Do not short the battery cartridge:
 - (1) Do not touch the terminals with any conductive material.
 - (2) Avoid storing battery cartridge in a container with other metal objects such as nails, coins, etc.
 - (3) Do not expose battery cartridge to water or rain.

A battery short can cause a large current flow, overheating, possible burns and even a breakdown.

6. Do not store the tool and battery cartridge in locations where the temperature may reach or exceed 50 °C (122 °F).
7. Do not incinerate the battery cartridge even if it is severely damaged or is completely worn out. The battery cartridge can explode in a fire.
8. Be careful not to drop or strike battery.
9. Do not use a damaged battery.
10. The contained lithium-ion batteries are subject to the Dangerous Goods Legislation requirements. For commercial transports e.g. by third parties, forwarding agents, special requirement on packaging and labeling must be observed. For preparation of the item being shipped, consulting an expert for hazardous material is required. Please also observe possibly more detailed national regulations. Tape or mask off open contacts and pack up the battery in such a manner that it cannot move around in the packaging.
11. When disposing the battery cartridge, remove it from the tool and dispose of it in a safe place. Follow your local regulations relating to disposal of battery.
12. Use the batteries only with the products specified by Makita. Installing the batteries to non-compliant products may result in a fire, excessive heat, explosion, or leak of electrolyte.
13. If the tool is not used for a long period of time, the battery must be removed from the tool.

SAVE THESE INSTRUCTIONS.

⚠CAUTION: Only use genuine Makita batteries. Use of non-genuine Makita batteries, or batteries that have been altered, may result in the battery bursting causing fires, personal injury and damage. It will also void the Makita warranty for the Makita tool and charger.

Tips for maintaining maximum battery life

1. Charge the battery cartridge before completely discharged. Always stop tool operation and charge the battery cartridge when you notice less tool power.
2. Never recharge a fully charged battery cartridge. Overcharging shortens the battery service life.
3. Charge the battery cartridge with room temperature at 10 °C - 40 °C (50 °F - 104 °F). Let a hot battery cartridge cool down before charging it.
4. Charge the battery cartridge if you do not use it for a long period (more than six months).

ASSEMBLY

⚠WARNING: Always be sure that the lock key and battery cartridge are removed before carrying out any work on the mower. Failure to remove the lock key and the battery cartridge may result in serious personal injury from accidental start-up.

⚠WARNING: Never start the mower unless it is completely assembled. Operation of the machine in a partially assembled state may result in serious personal injury from accidental start-up.

Installing the handle

NOTICE: When installing handles, position the cords so that they are not caught by anything between the handles. If the cord is damaged, the mower switch may not work.

1. Align the holes in the lower handle with the holes in the mower body, and then tighten 4 bolts temporarily.
▶ **Fig.1:** 1. Lower handle 2. Bolt
2. Firmly tighten 4 bolts which were temporarily tightened in step 1 using box wrench 13.
3. Align the hole in the lower handle with the hole in the upper handle, then insert the bolt from inside, and then tighten the nut from outside with box wrench 13. Perform the same procedure on the other side.
▶ **Fig.2:** 1. Bolt 2. Lower handle 3. Nut 4. Hole 5. Upper handle

⚠CAUTION: Hold the upper handle firmly so that it does not drop off your hand. Otherwise, the handle may fall and cause an injury.

4. Attach the holders to the handle.

Align the protrusions on the holder with the holes on the handle so that the protrusions fit in the holes. Position the cords as shown in the figure.

- ▶ **Fig.3:** 1. Cord 2. Holder

Removing the mulching plug

1. Open the rear cover.
▶ **Fig.4:** 1. Rear cover
2. Remove the mulching plug while holding down the lever.
▶ **Fig.5:** 1. Lever 2. Mulching plug

Installing or removing the grass basket

To install the grass basket, follow the steps below.

1. Open the rear cover.
▶ **Fig.6:** 1. Rear cover
2. Hold the handle of the grass basket, and then hook the grass basket on the rod of the mower body as shown in the figure.
▶ **Fig.7:** 1. Rod 2. Handle 3. Grass basket

To remove the grass basket, open the rear cover, and then remove the grass basket by holding the handle.

Attaching the mulching plug

1. Open the rear cover, and then remove the grass basket.
▶ **Fig.8:** 1. Rear cover 2. Grass basket
2. Attach the mulching plug while holding down the lever, and then release the lever to lock the mulching plug.
▶ **Fig.9:** 1. Lever 2. Mulching plug

Attaching the discharge attachment

For DLM530/DLM532

1. Open the rear cover, and then remove the grass basket.
▶ **Fig.10:** 1. Rear cover 2. Grass basket
2. Attach the mulching plug while holding down the lever, and then release the lever to lock the mulching plug.
▶ **Fig.11:** 1. Lever 2. Mulching plug
3. Open the right side cover, and then attach the discharge attachment.

Insert the hooks of the discharge attachment under the rod of the right side cover.

- ▶ **Fig.12:** 1. Right side cover 2. Discharge attachment

FUNCTIONAL DESCRIPTION

Installing or removing battery cartridge

CAUTION: Always switch off the machine before installing or removing of the battery cartridge.

CAUTION: Hold the machine and the battery cartridge firmly when installing or removing battery cartridge. Failure to hold the machine and the battery cartridge firmly may cause them to slip off your hands and result in damage to the machine and battery cartridge and a personal injury.

CAUTION: Make sure that you lock the battery cover before use. Otherwise, mud, dirt, or water may cause damage to the product or the battery cartridge.

CAUTION: Always install the battery cartridge fully until the red indicator cannot be seen. If not, it may accidentally fall out of the machine, causing injury to you or someone around you.

CAUTION: Do not install the battery cartridge forcibly. If the cartridge does not slide in easily, it is not being inserted correctly.

NOTE: The machine does not work with only one battery cartridge.

To install the battery cartridge;

1. Pull up the locking lever, and then open the battery cover.

► Fig.13: 1. Battery cover 2. Locking lever

2. Align the tongue on the battery cartridge with the slot on the machine, and then slide the cartridge until it locks in place with a little click.

► Fig.14: (1) Battery port 1 (2) Battery port 2 (3) Battery cartridge

NOTE: Install at least 2 battery cartridges to battery port 1 or battery port 2.

3. Insert the lock key in the place shown in the figure as far as it will go.

► Fig.15: 1. Lock key

4. Close the battery cover and push it until it is latched with the locking lever.

To remove the battery cartridge;

1. Pull up the locking lever and open the battery cover.

2. Pull out the battery cartridge from the machine while sliding the button on the front of the cartridge.

3. Pull out the lock key.

4. Close the battery cover.

Switching the battery cartridges

► Fig.16: 1. Battery selection switch

The machine uses 2 battery cartridges for operation at a time. Up to 4 battery cartridges can be installed to the machine. Before operating the machine, select the battery port 1 or battery port 2 by turning the battery selection switch.

NOTE: If only 2 battery cartridges are installed to the machine, be sure to select the battery port to which the battery cartridges are installed using the battery selection switch.

Machine / battery protection system

The machine is equipped with a machine/battery protection system. This system automatically cuts off power to the motor to extend machine and battery life. The machine will automatically stop during operation if the machine or battery is placed under one of the following conditions:

Overload protection

When the battery is operated in a manner that causes it to draw an abnormally high current, the machine automatically stops and the main power lamp blinks in green. In this situation, turn the machine off and stop the application that caused the machine to become overloaded. Then turn the machine on to restart.

Overheat protection

When the machine or battery is overheated, the machine stops automatically and the main power lamp lights up in red. In this case, let the machine and battery cool before turning the machine on again.

Overdischarge protection

When the battery capacity is not enough, the machine stops automatically and the main power lamp blinks in red. In this case, remove the battery from the machine and charge the battery cartridges or change the battery cartridges to fully charged ones.

Indicating the remaining battery capacity

Only for battery cartridges with the indicator

► Fig.17: 1. Indicator lamps 2. Check button

Press the check button on the battery cartridge to indicate the remaining battery capacity. The indicator lamps light up for a few seconds.

Indicator lamps			Remaining capacity
Lighted	Off	Blinking	
■	■	■	75% to 100%
■	■	□	50% to 75%
■	□	□	25% to 50%
□	□	□	0% to 25%
◐	□	□	Charge the battery.
■	■	□	The battery may have malfunctioned.
□	□	■	

NOTE: Depending on the conditions of use and the ambient temperature, the indication may differ slightly from the actual capacity.

Control panel

The control panel has the main power switch, the mode switching button, and the indicator of remaining battery capacity.

- **Fig.18:** 1. Battery indicator 2. Mode switching lamp 3. Main power lamp 4. Check button 5. Mode switching button 6. Main power switch

Main power switch

⚠WARNING: Always turn off the main power switch when not in use.

To turn on the machine, press the main power switch. The main power lamp lights up in green. To turn off the machine, press the main power switch again.

NOTE: If the main power lamp lights up in red or blinks in red or green, refer to the instructions for machine/battery protection system.






NOTE: This machine employs the auto power-off function. To avoid unintentional start up, the main power switch will automatically shut down when the switch lever and drive lever (if equipped) are not pulled for a certain period after the main power switch is turned on.

Mode switching button

You can switch the operating mode by pressing the mode switching button. When the machine is turned on, the machine starts up in the normal mode. When you press the mode switching button, the machine shifts to the noise reduction mode and the mode switching lamp lights up in green. In the noise reduction mode, you can decrease the noise at mowing. When you press the mode switching button again, the machine returns to the normal mode.

Indicating the remaining battery capacity

Press the check button to indicate the remaining battery capacities. The battery indicators correspond to each battery.

Battery indicator status		Remaining battery capacity
 On	 Off	
		50% - 100%
		20% - 50%
		0% - 20%

NOTE: The indicator lamps for remaining battery capacity is just for a reference. The actual battery capacity may differ depending on the usage conditions.

NOTE: Before you press the check button to indicate the remaining battery capacities, stop the machine.

Switch action

⚠WARNING: Before installing the battery cartridge, always check to see that the switch lever actuates properly and returns to the original position when released. Operating the machine with a switch that does not actuate properly can lead to loss of control and serious personal injury.

NOTE: The mower does not start without pressing the switch button even the switch lever is pulled.

NOTE: Mower may not start due to the overload when you try to mow long or dense grass at a time. Increase the mowing height in this case.

This mower is equipped with the lock key and handle switch. If you notice anything unusual with either of the lock key or switch, stop the operation immediately and have them checked by your nearest Makita Authorized Service Center.

For DLM462/DLM532

1. Install the battery cartridges. Insert the lock key, and then close the battery cover.
2. Select the battery cartridges used for operation by turning the battery selection switch.
3. Press the main power switch.
4. Pull the switch lever toward you while holding down the switch button. Release the switch button as soon as the motor starts running.

► **Fig.19:** 1. Switch button 2. Switch lever

NOTE: If the lock key is not inserted, the power lamp blinks in green when you pull the switch lever.

5. While holding the switch lever, push the drive lever forward and hold it to drive the rear wheels.

► **Fig.20:** 1. Drive lever

NOTE: You can drive the rear wheels by pushing the drive lever forward and hold it without pulling the switch lever.

6. Release the drive lever and the switch lever to stop the machine.

For DLM530

1. Install the battery cartridges. Insert the lock key, and then close the battery cover.
2. Select the battery cartridges used for operation by turning the battery selection switch.
3. Press the main power switch.
4. Pull the switch lever toward you while holding down the switch button. Release the switch button as soon as the motor starts running.

► **Fig.21:** 1. Switch button 2. Switch lever

NOTE: If the lock key is not inserted, the power lamp blinks in green when you pull the switch lever.

5. Release the switch lever to stop the motor.

Adjusting the mowing height

⚠ WARNING: Never put your hand or leg under the mower body when adjusting the mowing height.

⚠ WARNING: Always make sure that the lever fits in the groove properly before operation.

The mowing height can be adjusted in the range of between 20 mm and 100 mm.

Remove the lock key, and then pull the mowing height adjusting lever outward of the mower body and move it to your desired mowing height.

► **Fig.22:** 1. Mowing height adjusting lever

The table below shows the relationship between the number on the mower body and the approximate mowing height.

Number	Mowing height
1	20 mm
2	26 mm
3	32 mm
4	39 mm
5	47 mm
6	55 mm
7	63 mm
8	74 mm
9	86 mm
10	100 mm

Hold the front grip or the lower handle with one hand, and then move the mowing height adjusting lever with the other hand.

► **Fig.23:** 1. Mowing height adjusting lever 2. Lower handle 3. Front grip

NOTE: The mowing height figures should be used just as a guideline. Depending on the conditions of the lawn or the ground, the actual lawn height may become slightly different from the set height.

NOTE: Try a test mowing of grass in a less conspicuous place to get your desired height.

Grass level indicator

Grass level indicator shows the volume of mowed grass. When the grass basket is not full, the indicator floats while the blades are running.

► **Fig.24:** 1. Grass level indicator

When the grass basket is almost full, the indicator does not float while the blades are running. In this case, stop the operation immediately and empty the basket.

► **Fig.25:** 1. Grass level indicator

NOTE: This indicator is a rough guide. Depending on the conditions of inside of the basket, this indicator may not work properly.

Adjusting the handle height

⚠ CAUTION: Before removing the bolts, hold the upper handle firmly. Otherwise, the handle may fall and cause an injury.

The handle height can be adjusted in two levels.

1. Remove the upper bolts of the lower handle using box wrench 13, and then loosen the lower bolts.

► **Fig.26:** 1. Upper bolt 2. Lower bolt

2. Adjust the handle height, and then tighten the upper and lower bolts firmly.

Adjusting the traveling speed

For DLM462/DLM532

► **Fig.27:** 1. Speed lever

The traveling speed can be adjusted with the speed lever. To decrease the speed, pull the lever toward you, and to increase the speed, turn the lever forward.

Using mulching plug

The mulching plug allows you to return the cut grass to the ground without gathering the cut grass in the grass basket. When you operate the machine with the mulching plug, be sure to remove the grass basket.

NOTICE: When using the machine with the mulching plug, make sure that the total length of grass is 30 mm or more, or the cut length is 15 mm or less.

► **Fig.28:** (1) 30 mm or more (2) 15 mm or less

Using discharge attachment

For DLM530/DLM532

The discharge attachment allows you to discharge the cut grass to the ground from the right side of the machine without gathering the cut grass in the grass basket. When you operate the machine with the discharge attachment, be sure to install the mulching plug and remove the grass basket.

Electronic function

The machine is equipped with the electronic functions for easy operation.

- Constant speed control of blade rotation
Electronic speed control for obtaining constant speed. Possible to get fine finish, because the rotating speed is kept constant even under load condition.
- Soft start at driving
The soft-start function minimizes start-up shock, and makes the machine start smoothly.
- Electric brake
This machine is equipped with an electric brake. If the machine consistently fails to quickly stop the mower blades after releasing the switch lever, have the machine serviced at Makita Authorized Service Center.

OPERATION

Mowing

⚠WARNING: Before mowing, clear away sticks and stones from mowing area. Furthermore, clear away any weeds from mowing area in advance.

⚠WARNING: Always wear the safety goggles or safety glasses with side shields when operating the mower.

⚠CAUTION: If the cut grass or foreign object blocks up inside of the mower body, be sure to remove the lock key and battery cartridge and wear gloves before removing the grass or foreign object.

NOTICE: Use this machine for mowing lawn only. Do not mow weeds with this machine.

► Fig.29

Firmly hold the handle with both hands when mowing. The mowing speed guideline is approximately 7 to 14 meters per 10 seconds.

► Fig.30

The center lines of the front wheels are guidelines to mowing width. Using the center lines as guidelines, mow in strips. Overlap by one half to one third the previous strip to mow the lawn evenly.

► Fig.31: 1. Mowing width 2. Overlapping area 3. Center line

Change the mowing direction each time to prevent the grass grain pattern from forming in just one direction.

► Fig.32

Periodically check the grass basket for mowed grass. Empty the grass before it becomes full. Before every periodical check, be sure to stop the mower then remove the lock key and the battery cartridge.

NOTICE: Using the mower with the grass basket full prevents smooth blade rotation and places an extra load on the motor, which may cause breakdown.

Mowing a long-grass lawn

Do not try to cut long grass all at once. Instead, mow the lawn in steps. Leave a day or two between mowings until the lawn becomes evenly short.

► Fig.33

NOTE: Mowing long grass to a short length all at once may cause the grass to die. The cut grass may also block up inside of the mower body.

Emptying the grass basket

⚠WARNING: To reduce a risk of accident, regularly check the grass basket for any damage or weakened strength. Replace the grass basket if necessary.

1. Release the switch lever and drive lever (for DLM462/DLM532), or release the switch lever (for DLM530).

2. Remove the lock key.

3. Open the rear cover and take out the grass basket by holding the handle.

► Fig.34: 1. Rear cover 2. Handle 3. Grass basket

4. Empty the grass basket.

MAINTENANCE

⚠WARNING: Always be sure that the lock key and battery cartridge are removed from the mower before storing or carrying the mower or attempting to perform inspection or maintenance.

⚠WARNING: Always remove the lock key when the mower is not in use. Store the lock key in a safe place out of reach of children.

⚠WARNING: Wear gloves when performing inspection or maintenance.

⚠WARNING: Always wear the safety goggles or safety glasses with side shields when performing inspection or maintenance.

NOTICE: Never use gasoline, benzene, thinner, alcohol or the like. Discoloration, deformation or cracks may result.

To maintain product SAFETY and RELIABILITY, repairs, any other maintenance or adjustment should be performed by Makita Authorized or Factory Service Centers, always using Makita replacement parts.

Maintenance

1. Remove the lock key and battery cartridges, and then close the battery cover.

2. Put the mower on its side so that the mowing height adjusting lever comes to the upper side. Clean grass clippings accumulated on the underside of mower deck.

3. Pour water toward the bottom of the machine to which the blade is attached.

NOTICE: Do not wash the machine with high pressure water.

4. Check all nuts, bolts, screws, etc. for tightness.

5. Inspect moving parts for damage, breakage, and wear. Damaged or missing parts should be repaired or replaced.

6. Store the mower in a safe place out of the reach of children.

For DLM462/DLM532

NOTICE: Do not pour water to the area shown in the figure. Pouring water to the motor unit may cause a malfunction of the machine.

► Fig.35: 1. Area where water should not be poured

Carrying the mower

When carrying the mower, hold the front grip and rear grip with two people as shown in the figure.

► **Fig.36:** 1. Front grip 2. Rear grip

Storing

Store mower indoors in a cool, dry and locked place. Don't store the mower and charger in locations where the temperature may reach or exceed 40 °C.

Removing or installing the mower blade

⚠ WARNING: The blade coasts for a few seconds after releasing the switch. Do not start any operation until the blade comes to a complete stop.

⚠ WARNING: Always remove the lock key and battery cartridge when removing or installing the blade. Failure to remove the lock key and battery cartridge may cause a serious injury.

⚠ WARNING: Always wear gloves when handling the blade.

Removing the mower blade

For models equipped with straight mower blade

1. Put the mower on its side so that the mowing height adjusting lever comes to the upper side.
2. To lock the blade, insert the pin into a hole on the mower body.
3. Turn the bolt counterclockwise with box wrench 17.

► **Fig.37:** 1. Mower blade 2. Pin 3. Box wrench

4. Remove the bolt, and then mower blade.

► **Fig.38:** 1. Blade support 2. Mower blade 3. Bolt 4. Protrusion

NOTICE: When installing the mower blade, make sure that the protrusions on the blade support fit in the holes in the mower blade.

For models equipped with swing back mower blades

1. Put the mower on its side so that the mowing height adjusting lever comes to the upper side.
2. To lock the base plate, insert the pin into a hole on the mower body through a hole on the base plate.

3. Turn the bolt counterclockwise with box wrench 17.

► **Fig.39:** 1. Pin 2. Base plate 3. Box wrench

4. Remove the bolt, and then base plate.

► **Fig.40:** 1. Blade support 2. Base plate 3. Bolt 4. Protrusion

NOTICE: When installing the mower blades, make sure that the protrusions on the blade support fit in the holes in the base plate.

5. To remove the individual mower blade, turn the bolt counterclockwise with box wrench 17 while holding the base plate.

► **Fig.41:** 1. Base plate 2. Mower blade 3. Box wrench

6. Remove the nut, washer, spring washer, mower blade, and bolt in order.

► **Fig.42:** 1. Bolt hole 2. Bolt 3. Mower blade 4. Spring washer 5. Washer 6. Nut

NOTICE: When tightening the nuts to install the individual mower blades, apply 30 N·m as tightening torque.

NOTICE: When installing the individual mower blade, be sure to attach the spring washer in the direction as shown in the figure.

NOTICE: When installing the individual mower blade, be sure to insert the bolts into the bolt holes shown in the figure.

Installing the mower blade

⚠ WARNING: Install the mower blade carefully. It has a top/bottom facing.

⚠ WARNING: Tighten the bolt clockwise firmly to secure the blade.

⚠ WARNING: Make sure that the mower blade and all the fixing parts are installed correctly and tightened securely.

⚠ WARNING: When you replace the blades, always follow the instructions provided in this manual.

NOTICE: After installing the mower blades, remove the pin from the mower body.

To install the mower blades, perform the removal procedure in reverse.

TROUBLESHOOTING

Before asking for repairs, conduct your own inspection first. If you find a problem that is not explained in the manual, do not attempt to disassemble the machine. Instead, ask Makita Authorized Service Centers, always using Makita replacement parts for repairs.

State of abnormality	Probable cause (malfunction)	Remedy
Mower does not start.	Two battery cartridges are not installed.	Install two charged battery cartridges.
	Battery problem (under voltage)	Recharge the battery cartridge. If recharging is not effective, replace battery cartridge.
	The lock key is not inserted.	Insert the lock key.
	Battery selection switch is not in the correct position.	Select the battery port to which the battery cartridges are installed using the battery selection switch.
Motor stops running after a little use.	Battery's charge level is low.	Recharge the battery cartridge. If recharging is not effective, replace battery cartridge.
	Cutting height is too low.	Increase the cutting height.
	Cut grass is clogged in the mower.	Remove the clogged grass from the mower.
Motor does not reach maximum RPM.	Battery cartridge is installed improperly.	Install the battery cartridge as described in this manual.
	Battery power is dropping.	Recharge the battery cartridge. If recharging is not effective, replace battery cartridge.
	The drive system does not work correctly.	Ask your local authorized service center for repair.
Mower blade does not rotate: ⇒ stop the mower immediately!	Foreign object such as a branch is jammed near the blade.	Remove the foreign object.
	The drive system does not work correctly.	Ask your local authorized service center for repair.
Abnormal vibration: ⇒ stop the mower immediately!	Blade is imbalanced, excessively or unevenly worn.	Replace the blade.

OPTIONAL ACCESSORIES

⚠ CAUTION: These accessories or attachments are recommended for use with your Makita machine specified in this manual. The use of any other accessories or attachments might present a risk of injury to persons. Only use accessory or attachment for its stated purpose.

If you need any assistance for more details regarding these accessories, ask your local Makita Service Center.

- Mower blade
- Makita genuine battery and charger

NOTE: Some items in the list may be included in the product package as standard accessories. They may differ from country to country.

SPECIFIKATIONER

Modell:		DLM462	DLM530	DLM532
Klippbredd (knivdiameter)		460 mm	534 mm	
Hastighet utan belastning		2 500 min ⁻¹	2 300 min ⁻¹	
Maxhastighet		3 300 min ⁻¹	2 800 min ⁻¹	
Artikelnummer för byte av gräsklipparkniv	Rak gräsklipparkniv	191D51-9	191D52-7	
	Svängande gräsklipparknivar *1	191D49-6	191D50-1	
	Svängande gräsklipparknivar *2	191D47-0	191D48-8	
Dimensioner (L x B x H)		L: 1 610 mm till 1 690 mm B: 535 mm H: 980 mm till 1 095 mm	L: 1 630 mm till 1 715 mm B: 590 mm H: 990 mm till 1 095 mm	
Rullhastighet		2,5 - 5,0 km/h	–	2,5 - 5,0 km/h
Märkspänning		36 V likström		
Nettovikt	När rak gräsklipparkniv är installerad	35,3 - 39,0 kg	35,5 - 39,3 kg	39,0 - 42,8 kg
	När svängande gräsklipparknivar är installerade	36,0 - 39,7 kg	36,2 - 40,0 kg	39,7 - 43,5 kg
Skyddsgrad		IPX4		

*1. Bottenplatta och enskilda gräsklipparknivar.

*2. Endast enskilda gräsklipparknivar.

- På grund av vårt pågående program för forskning och utveckling kan dessa specifikationer ändras utan föregående meddelande.
- Specifikationer kan variera mellan olika länder.
- Vikten kan variera beroende på tillbehören, inklusive batterikassetten. Den lättaste och den tyngsta kombinationen enligt EPTA-procedur 01/2014 visas i tabellen.

Tillgänglig batterikassett







BL1815N / BL1820 / BL1820B / BL1830 / BL1830B / BL1840 / BL1840B / BL1850 / BL1850B / BL1860B

- Vissa av batterikassetterna på listan ovan kanske inte finns tillgängliga i din region.

⚠ VARNING: Använd endast batterikassetter från listan ovan. Användning av andra batterikassetter kan orsaka personskada och/eller brand.

Symboler

Följande visar symbolerna som används för utrustningen. Se till att du förstår innebörden innan du använder bormaskinen.

	Var extra försiktig och uppmärksam.
	Läs igenom bruksanvisningen.
	Fara! Se upp för flygande föremål.
	Avståndet mellan maskinen och åskådare måste vara minst 15 m.
	Placera aldrig dina händer eller fötter nära kniven under gräsklipparen. Knivarna fortsätter att rotera efter det att motorn stängts av.
	Ta ut säkerhetsnyckeln före kontroll, justering, rengöring, service, förvaring eller om gräsklipparen lämnas obevakad.



Risk för elektrisk stöt. Kontakt med vatten kan orsaka elstöt.



Håll inte på vatten.



Gäller endast inom EU
Elektrisk utrustning eller batteripaket får inte kastas i hushållsavfallet!
Enligt EU-direktiven som avser förbrukad elektrisk och elektronisk utrustning, batterier, ackumulatörer, förbrukade batterier och ackumulatörer, samt direktivens tillämpning enligt nationell lagstiftning, ska uttjänt elektrisk utrustning, batterier och batteripaket sorteras separat och lämnas till miljövänlig återvinning.

Avsedd användning

Maskinen är avsedd för gräsklippning.

Buller

Den normala bullernivån för A-belastning är bestämd enligt EN60335-2-77:

OBS: Värdena har uppmätts med gräsklipparen utrustad med en rak gräsklipparkniv.

Model DLM462

Ljudtrycksnivå (L_{pA}): 82,7 dB (A)

Ljudeffektnivå (L_{WA}): 90,9 dB (A)

Måttolerans (K): 3 dB (A)

Model DLM530

Ljudtrycksnivå (L_{pA}): 78,1 dB (A)

Ljudeffektnivå (L_{WA}): 90,4 dB (A)

Måttolerans (K): 3 dB (A)

Model DLM532

Ljudtrycksnivå (L_{pA}): 78,1 dB (A)

Ljudeffektnivå (L_{WA}): 90,4 dB (A)

Måttolerans (K): 3 dB (A)

Bullernivån vid arbete kan överstiga 80 dB (A).

OBS: Det deklarerade bullervärdet har uppmätts i enlighet med standardtestmetoden och kan användas för jämförandet av en maskin med en annan.

OBS: Det deklarerade bulleremissionsvärdet kan också användas i en preliminär bedömning av exponering för vibration.

⚠ VARNING: Använd hörselskydd.

⚠ VARNING: Bulleremissionen under faktisk användning av maskinen kan skilja sig från det deklarerade värdet, beroende på hur maskinen används och särskilt vilken typ av arbetsstycke som behandlas.

⚠ VARNING: Var noga med att identifiera säkerhetsåtgärder för att skydda användaren, vilka är grundade på en uppskattning av graden av exponering för vibrationer under de faktiska användningsförhållandena, (ta, förutom avtryckartiden, med alla delar av användarcykeln i beräkningen, som till exempel tiden då maskinen är avstängd och när den går på tomgång).

Vibration

Det totala vibrationsvärdet (treaxlad vektorsumma) bestämt enligt EN60335-2-77:

OBS: Värdena har uppmätts med gräsklipparen utrustad med en rak gräsklipparkniv.

Model DLM462

Vibrationsemission (a_h): 2,5 m/s² eller lägre

Måttolerans (K): 1,5 m/s²

Model DLM530

Vibrationsemission (a_h): 2,5 m/s² eller lägre

Måttolerans (K): 1,5 m/s²

Model DLM532

Vibrationsemission (a_h): 2,5 m/s² eller lägre

Måttolerans (K): 1,5 m/s²

OBS: Det deklarerade totala vibrationsvärdet har uppmätts i enlighet med standardtestmetoden och kan användas för jämförandet av en maskin med en annan.

OBS: Det deklarerade totala vibrationsvärdet kan också användas i en preliminär bedömning av exponering för vibration.

⚠ VARNING: Vibrationsemissionen under faktisk användning av maskinen kan skilja sig från det deklarerade värdet, beroende på hur maskinen används och särskilt vilken typ av arbetsstycke som behandlas.

⚠ VARNING: Var noga med att identifiera säkerhetsåtgärder för att skydda användaren, vilka är grundade på en uppskattning av graden av exponering för vibrationer under de faktiska användningsförhållandena, (ta, förutom avtryckartiden, med alla delar av användarcykeln i beräkningen, som till exempel tiden då maskinen är avstängd och när den går på tomgång).

EG-försäkran om överensstämmelse

Gäller endast inom EU

EG-försäkran om överensstämmelse inkluderas som bilaga A till denna bruksanvisning.

SÄKERHETSVARNINGAR

VIKTIGA SÄKERHETSANVISNINGAR

⚠ VARNING: Läs igenom alla säkerhetsvarningar och anvisningar. Underlåtenhet att följa varningar och instruktioner kan leda till elstöt, brand och/eller allvarliga personskador.

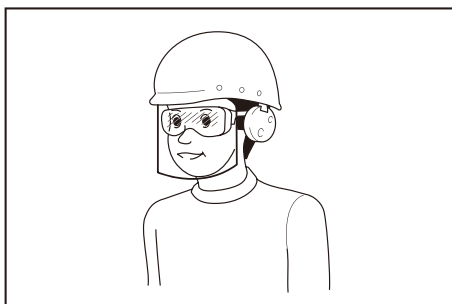
Spara alla varningar och instruktioner för framtida referens.

Utbildning

1. Läs anvisningarna noggrant. Var förtrogen med styrreglagen och korrekt användning av gräsklipparen.
2. Låt aldrig gräsklipparen användas av barn eller av personer som inte känner till dessa anvisningar. Lokala bestämmelser kan ange en åldersgräns för användaren.
3. Använd aldrig gräsklipparen när personer (särskilt barn) eller djur finns i närheten.
4. Glöm inte att användaren är ansvarig för olyckor eller eventuell fara gentemot andra personer och deras egendom.
5. Barn ska övervakas så att de inte leker med gräsklipparen.
6. Fysiskt tillstånd – Använd inte gräsklipparen under påverkan av droger, alkohol eller mediciner.

Förberedelse

1. Bär alltid kraftiga skor och långbyxor när du använder gräsklipparen. Använd inte gräsklipparen barfota eller med öppna skor. Undvik att bära kläder eller smycken som sitter löst eller som har hängande snoddar eller band. De kan fångas upp av rörliga delar.
2. Inspektera alltid gräsklipparen visuellt innan användning avseende skada, saknade eller felplacerade skydd.
3. Kontrollera att det inte finns några personer i området före gräsklippningen. Stäng av gräsklipparen om någon närmar sig.
4. Sätt inte i säkerhetsnyckeln i gräsklipparen förrän den är klar att användas.
5. Bär alltid skyddsglasögon för att skydda dina ögon från skada när du använder e-verktyg. Skyddsglasögonen måste uppfylla ANSI Z87.1 i USA, EN 166 i Europa, eller AS/NZS 1336 i Australien/Nya Zeeland. I Australien/Nya Zeeland måste man enligt lag även bära ansiktsskydd för att skydda ansiktet.



Det är arbetsgivarens ansvar att se till att användare och övriga personer i det omedelbara arbetsområdet använder lämplig skyddsutrustning.

6. Kontrollera före användning att knivarna eller knivbultarna inte är spruckna eller skadade. Byt omedelbart ut skadade knivar eller knivbultar.
7. Ta bort främmande föremål såsom stenar, kablar, flaskor, ben och långa pinnar från arbetsområdet innan gräsklippningen för att undvika personskador eller skada på gräsklipparen.
8. Föremål som träffas av gräsklipparens kniv kan orsaka allvarliga personskador. Gräsmattan ska alltid undersökas väl och röjas från föremål före varje klippning.
9. Se upp för hål, rötter, knölar, stenar eller andra dolda föremål. Ojämn terräng kan vara en halkrisk. Högt gräs kan dölja föremål.
10. Sätt inte i eller ta ut säkerhetsnyckeln i regn.
11. Använd personlig säkerhetsutrustning. Använd alltid skyddsglasögon. Användning av skyddsutrustning, som till exempel dammask, halkfria skor, skyddshjälm och hörselskydd, under lämpliga förhållanden minskar risken för personskador.

Användning

1. Översträck inte. Ha god balans hela tiden. Se alltid till att ha balans på slutningar. Gå, spring aldrig.
2. Stäng av gräsklipparen och ta ut säkerhetsnyckeln och se till att alla rörliga delar har slutat rotera:
 - när du lämnar gräsklipparen,
 - innan du tar bort något som fastnat eller rensar utkastningsrännan,
 - före kontroll, rengöring eller arbete på gräsklipparen,
 - om du stött emot ett främmande föremål med maskinen. Inspektera gräsklipparen efter skador och utför reparationer innan maskinen startas om och används på nytt,
 - om gräsklipparen börjar vibrera på ett onormalt sätt.
3. Använd aldrig gräsklipparen med skadade skydd eller utan säkerhetsutrustning, t. ex. stenskydd och/eller gräsuppsamlare, på plats.
4. Undvik att använda gräsklipparen vid dåliga väderförhållanden, speciellt vid risk för åska.
5. Bär alltid skyddsglasögon och kraftiga skor när du arbetar med gräsklipparen.
6. Använd endast gräsklipparen i dagsljus eller i god belysning.
7. Starta gräsklipparen omsorgsfullt enligt anvisningarna och med fötterna på säkert avstånd från knivarna.
8. Var försiktig så att du inte skadar händer och fötter på gräsklipparkniven.
9. Försäkra dig alltid om att lufthålen är fria från smuts.
10. Klipp längs med slutningar, aldrig uppåt och nedåt. Var särskilt försiktig vid byte av riktning i sluttande terräng. Klipp inte mycket branta slutningar.
11. Var mycket försiktig när du vänder gräsklipparen eller drar den mot dig.
12. Stoppa knivarna om gräsklipparen måste lutas för att transporteras över gräsfria ytor och när maskinen transporteras till och från området som ska klippas.
13. Luta inte gräsklipparen när du startar motorn, såvida den inte måste lutas för att startas. I så fall ska den inte lutas mer än vad som är absolut nödvändigt och lyft endast den delen som är längst bort från användaren. Se alltid till att båda händerna är i arbetsläge innan du ställer ner gräsklipparen på marken.
14. Placera inte händer och fötter i närheten av eller under roterande delar. Stå alltid långt ifrån utkastöppningen.
15. Transportera inte gräsklipparen medan den är igång.
16. Undvik att använda gräsklipparen i vått gräs.
17. Håll alltid stadigt i handtaget.
18. Greppa inte de oskyddade knivbladen eller kniveggarna när du tar upp eller håller i gräsklipparen.
19. Håll händer och fötter borta från rörliga knivar. Försiktighet – Knivarna stannar inte omedelbart när gräsklipparen stängs av.

20. Stanna maskinen omedelbart om du lägger märke till något onormalt. Stäng av gräsklipparen och ta ut säkerhetsnyckeln. Kontrollera sedan gräsklipparen.
21. Försök aldrig göra justering av klipphöjden medan gräsklipparen är igång, om den har funktionen klipphöjdsinställning.
22. Släpp säkerhetsgreppet och vänta tills kniven har stannat innan du korsar en uppfart, gångväg, väg eller annat grustäckt område. Ta också ut säkerhetsnyckeln om du lämnar gräsklipparen, sträcker dig för att plocka upp eller ta bort något som ligger i vägen, eller om du på något annat sätt distraheras från arbetet.
23. Följ dessa steg om gräsklipparen slår emot ett främmande föremål:
 - Stanna gräsklipparen, släpp säkerhetsgreppet och vänta tills kniven stannat helt.
 - Ta bort säkerhetsnyckeln och batterikassetten.
 - Kontrollera gräsklipparen grundligt så att inte några skador har uppstått.
 - Byt ut kniven om den är skadad på något sätt. Reparera eventuella skador innan du startar om och återupptar användningen av gräsklipparen.
24. Starta inte gräsklipparen när du står framför utkastöppningen.
25. Om gräsklipparen börjar vibrera på ett onormalt sätt (kontrollera omedelbart)
 - kontrollera om skada har uppstått,
 - byt ut eller reparera skadade delar,
 - kontrollera och dra åt lösa delar.
26. Rikta aldrig utloppsmaterial mot någon. Undvik att rikta utloppsmaterial mot en vägg eller hinder. Material kan studsas tillbaka på användaren. Stanna bladet när du korsar grusvägar.
27. Dra inte gräsklipparen baklänges såvida det inte är absolut nödvändigt. När du är tvungen att backa gräsklipparen från ett staket eller liknande hinder måste du titta ner och bakom dig innan och medan du backar.
28. Stäng av motorn och vänta tills bladen har stannat innan du tar bort gräsupsamlaren. Tänk på att klingan inte stannar omedelbart när maskinen stängs av.
29. Var uppmärksam på var du har fötterna när du använder maskinen på lerig mark, i våta sluttningar eller hala ställen.
30. Undvik att arbeta i dåliga miljöer där utökad trötthet kan förväntas.
31. Använd inte maskinen under dåliga väderförhållanden där sikten är begränsad. Att inte följa detta kan leda till fall eller felaktig funktion p.g.a. dålig sikt.
32. Låt inte maskinen åka ner i någon pöl.
33. När våta löv eller smuts fastnar på sugöppningen (ventilationsfönstret) på grund av regnet, ska det tas bort.
34. Använd inte maskinen i snö.
35. Om det avklippta gräset är vått är det troligt att det fastnar inuti maskinen. Kontrollera regelbundet maskinens skick och ta bort gräs som fastnat där det behövs.
36. Var uppmärksam på rör och kablar när maskinen används.

37. Använd inte en strömförsörjning med sladd, som en batteriadapter eller bärbart strömpaket, med denna maskin. Kabeln till sådan anordning kan hindra användningen och leda till personskada.

Underhåll och förvaring

1. Byt ut slitna eller skadade delar för säker användning. Använd endast originaldelar och tillbehör.
2. Inspektera och underhåll gräsklipparen regelbundet.
3. När gräsklipparen inte används ska den förvaras utom räckhåll för barn.
4. Se till att alla muttrar, bultar och skruvar är åtdragna för att alltid bibehålla utrustningen i säkert arbetsskick.
5. Kontrollera gräsupsamlaren regelbundet efter slitage eller försämring. Se alltid till att gräsupsamlaren är tom när maskinen förvaras. Byt ut gräsupsamlaren om den är sliten mot en ny från fabriken för säker användning.
6. Använd endast tillverkarens originalknivar som specificerats i denna bruksanvisning.
7. Var försiktig vid justering av gräsklipparen för att undvika att fastna med fingrarna mellan knivar i rörelse och fasta maskindelar.
8. Kontrollera knivens monteringsbult regelbundet så att den är ordentligt åtdragen.
9. Låt alltid gräsklipparen svalna innan du ställer in den för förvaring.
10. Vid underhåll av knivarna bör du vara uppmärksam på att de fortfarande kan snurra även om strömkällan är avstängd.
11. Ta aldrig bort eller mixtra med säkerhetsanordningar. Kontrollera regelbundet korrekt funktion. Gör aldrig något som stör säkerhetsanordningarnas avsedda funktion eller minskar det skydd som säkerhetsanordningarna ger.
12. Lämna inte maskinen obebakad utomhus i regn.
13. Tvätta inte av maskinen med högtrycksvattenstråle.
14. När du tvättar maskinen, se då till att ta bort batteriet och säkerhetsnyckeln och stäng batterikåpan, och håll vatten mot botten av maskinen som kniven sitter fast på.
15. När maskinen tas i förvar, undvik då direkt solljus och regn, och förvara den på en plats där det inte blir varmt eller fuktigt.
16. Utför inspektion eller underhåll någonstans där regn kan undvikas.
17. Ta efter användning bort smuts och torka maskinen fullständigt innan lagring. Beroende på årstid eller område finns det risk för funktionsfel p.g.a. frystemperatur.

Användning och underhåll av batteri

1. Ladda endast med den batteriladdare som angetts av tillverkaren. En laddare som passar en viss typ av batterier kan skapa risk för brand när den används tillsammans med annat batteri.
2. Använd endast maskiner tillsammans med tillhörande batterier. Om andra batterier används kan risken för personskada och brand öka.

3. När batteriet används bör det hållas borta från andra metallföremål som till exempel gemynt, nycklar, spik, skruv eller andra små metallföremål som kan skapa anslutning från en terminal till en annan. Kortslutning av batteripolerna kan orsaka brännskador eller brand.
4. Under hårda förhållande kan det komma vätska ur batteriet. Undvik kontakt. Spola med vatten om kontakt ändå råkar uppstå. Om vätskan kommer i kontakt med ögonen bör läkare uppsökas. Vätska från batteriet kan orsaka irritation på huden eller ge brännskador.
5. Använd inte ett batteripaket eller maskin som är skadat eller ändrat. Skadade eller ändrade batterier kan uppföra sig opålitligt, vilket kan leda till brand, explosion eller skaderisk.
6. Utsätt inte batteripaket eller maskiner för brand eller höga temperaturer. Exponering för brand eller temperaturer över 130 °C kan leda till explosion.
7. Följ alla laddningsinstruktioner och ladda inte batteripaketet eller maskinen utanför det temperaturintervall som anges i instruktionerna. Felaktig laddning, eller vid temperaturer utanför det angivna intervallet, kan skada batteriet och öka risken för brand.

El- och batterisäkerhet

1. **Släng inte batteriet/batterierna i öppen eld.** Cellen kan explodera. Kontrollera de lokala reglerna för att se eventuell särskild avfallshantering.
2. **Öppna inte eller förstör batteriet/batterierna.** Elektrolyt som kommer ut är frätande och kan ge ögon- eller hudskador. Det kan vara giftigt vid förtäring.
3. **Ladda inte batteriet i regn eller i fuktiga eller våta utrymmen.**
4. **Ladda inte batteriet utomhus.**
5. **Hantera inte laddaren, däribland laddarstickproppen, och laddarens kopplingar med våta händer.**
6. **Byt inte ut batteriet i regn.**
7. **Låt inte batteripolen bli blöt av vätska som t.ex. vatten, och ha inte batteriet i vätska.** Batteriet får inte lämnas i regn, och inte heller laddas, användas eller lagras på ett fuktigt eller vått ställe. Om polen blir våt eller vätska kommer in i batteriet, kan det kortsutas och det finns risk för överhettning, brand eller explosion.
8. **När batteriet tagits bort från maskinen eller laddaren ska du se till att fästa batterikåpan vid batteriet och förvara det torrt.**
9. **Byt inte ut batteriet med våta händer.**

Service

1. **Lämna maskinen till en auktoriserad verkstad för service och underhåll med originalreservdelar.** Detta garanterar fortsatt säker användning av maskinen.
2. **Utför aldrig service av skadade batteripaket.** Service av skadade batteripaket får endast utföras av tillverkan eller auktoriserade serviceleverantörer.

SPARA DESSA ANVISNINGAR.

⚠️ VARNING: GLÖM INTE att också fortsättningsvis strikt följa säkerhetsanvisningarna för maskinen även efter att du blivit van att använda den.

Vid FELAKTIG HANTERING av maskinen eller om inte säkerhetsanvisningarna i denna bruksanvisning följs kan följden bli allvarliga personskador.

Viktiga säkerhetsanvisningar för batterikassetten

1. Innan batterikassetten används ska alla instruktioner och varningsmärken på (1) batteriladdaren, (2) batteriet och (3) produkten läsas.
2. **Montera inte isär batterikassetten.**
3. Om drifttiden blivit avsevärt kortare ska användningen avbrytas omedelbart. Det kan uppstå överhettning, brännskador och t o m en explosion.
4. Om du får elektrolyt i ögonen ska de sköljas med rent vatten och läkare uppsökas omedelbart. Det finns risk för att synen förloras.
5. **Kortslut inte batterikassetten.**
 - (1) Rör inte vid polerna med något strömförande material.
 - (2) Undvik att förvara batterikassetten tillsammans med andra metallobjekt som t.ex. spikar, mynt o.s.v.
 - (3) Skydda batteriet mot vatten och regn. En batterikortslutning kan orsaka ett stort strömföflöde, överhettning, brand och maskinhaveri.
6. **Förvara inte maskinen och batterikassetten på platser där temperaturen kan nå eller överstiga 50 °C.**
7. **Bränn inte upp batterikassetten även om den är svårt skadad eller helt utslitet. Batterikassetten kan explodera i öppen eld.**
8. **Var försiktig så att du inte råkar tappa batteriet och utsätt det inte för stötar.**
9. **Använd inte ett skadat batteri.**
10. **De medföljande litiumjonbatterierna är föremål för kraven i gällande lagstiftning för farligt gods.**

För kommersiella transporter (av t.ex. tredje parter som speditorsfirmor) måste de särskilda transportkrav som anges på emballaget och etiketter iakttas.

För att förbereda den produkt som ska avsändas krävs att du konsulterar en expert på riskmaterial. Var också uppmärksam på att det i ditt land kan finnas ytterligare föreskrifter att följa.

Tejpa över eller maskera blottade kontakter och packa batteriet på sådant sätt att det inte kan röra sig fritt i förpackningen.
11. **När batterikassetten ska kasseras måste den tas bort från maskinen och kasseras på ett säkert sätt. Följ lokala föreskrifter beträffande avfallshantering av batteriet.**
12. **Använd endast batterierna med de produkter som specificerats av Makita.** Att använda batterierna med ej godkända produkter kan leda till brand, överdriven värme, explosion eller utläckande elektrolyt.

13. Om maskinen inte används under en lång tid måste batteriet tas bort från maskinen.

SPARA DESSA ANVISNINGAR.

⚠FÖRSIKTIGT: Använda endast äkta Makita-batterier. Användning av oäkta Makita-batterier eller batterier som har manipulerats kan leda till person- och utrustningsskador eller till att batteriet fattar eld. Det upphäver också Makitas garanti för verktyget och laddaren.

Tips för att uppnå batteriets maximala livslängd

1. Ladda batterikassetten innan den är helt urladdad. Stanna alltid maskinen och ladda batterikassetten när du märker att maskinen blir svagare.
2. Ladda aldrig en fulladdad batterikasset. Överladdning förkortar batteriets livslängd.
3. Ladda batterikassetten vid en rumstemperatur på 10 °C - 40 °C. Låt en varm batterikasset svalna innan den laddas.
4. Ladda batterikassetten om du inte har använt den på länge (mer än sex månader).

MONTERING

⚠VARNING: Se alltid till att ta ut säkerhetsnyckeln och batterikassetten innan du utför något arbete på gräsklipparen. Underlåtelse att ta ut säkerhetsnyckeln och batterikassetten kan leda till allvarlig personskada på grund av oavsiktlig start.

⚠VARNING: Starta aldrig gräsklipparen om den inte är komplett monterad. Användning av en delvis monterad gräsklippare kan leda till allvarlig personskada på grund av oavsiktlig start.

Montera handtaget

OBSERVERA: Vid montering av handtagen ska kablarna placeras så att de inte fångas in av någonting mellan handtagen. Om kabeln är skadad kanske inte gräsklipparens startknapp fungerar.

1. Rikta in hålen i det nedre handtaget med hålen i gräsklipparstommen, och spänn sedan åt 4 bultar tillfälligt.
► Fig.1: 1. Nedre handtaget 2. Bult
2. Spänn ordentligt åt de 4 bultar som tillfälligt drogs åt i steg 1, med fast nyckel 13.
3. Passa in hålet i det nedre handtaget med hålet i det övre handtaget, sätt sedan i bulten inifrån, och dra åt muttern utifrån med fast nyckel 13. Utför samma procedur på andra sidan.
► Fig.2: 1. Bult 2. Nedre handtaget 3. Mutter 4. Hål 5. Övre handtaget

⚠FÖRSIKTIGT: Håll det övre handtaget i ett fast grepp så att det inte glider ur handen. I annat fall kan handtaget falla och orsaka skador.

4. Fäst hållarna till handtaget.

Passa in utsprången på hållaren med hålen på handtaget så att utsprången hamnar i hålen. Placera kablarna enligt bilden.

- Fig.3: 1. Kabel 2. Hållare

Ta bort mulchingpluggen

1. Öppna den bakre luckan.
► Fig.4: 1. Bakre hölje
2. Ta bort mulchingpluggen samtidigt som du håller ner spaken.
► Fig.5: 1. Spak 2. Mulchingplugg

Installera eller ta bort gräsuppsamlaren

Följ stegen nedan för att installera gräsuppsamlaren.

1. Öppna den bakre luckan.
► Fig.6: 1. Bakre hölje
2. Håll i gräsuppsamlarens handtag och haka sedan fast gräsuppsamlaren på stängan på gräsklipparen enligt figuren.
► Fig.7: 1. Stång 2. Handtag 3. Gräsuppsamlare

Ta bort gräsuppsamlaren genom att öppna det bakre höljet och sedan ta ut gräsuppsamlaren med hjälp av handtaget.

Montera mulchingpluggen

1. Öppna den bakre luckan och ta sedan bort gräsuppsamlaren.
► Fig.8: 1. Bakre hölje 2. Gräsuppsamlare
2. Fäst mulchingpluggen medan du håller ner spaken och släpp sedan spaken för att låsa fast mulchingpluggen.
► Fig.9: 1. Spak 2. Mulchingplugg

Fastsättning av utkastillbehöret

För DLM530/DLM532

1. Öppna den bakre luckan och ta sedan bort gräsuppsamlaren.
► Fig.10: 1. Bakre hölje 2. Gräsuppsamlare
2. Fäst mulchingpluggen medan du håller ner spaken och släpp sedan spaken för att låsa fast mulchingpluggen.
► Fig.11: 1. Spak 2. Mulchingplugg
3. Öppna den högra luckan och fäst sedan utkastillbehöret.
Sätt in utkastillbehörets krokar under den högra luckans stäng.
► Fig.12: 1. Höger lucka 2. Utkastillbehör

FUNKTIONSBESKRIVNING

Montera eller demontera batterikassetten

⚠FÖRSIKTIGT: Stäng alltid av maskinen innan du monterar eller tar bort batterikassetten.

⚠FÖRSIKTIGT: Håll stadigt i maskinen och batterikassetten när du installerar eller tar bort batterikassetten. I annat fall kan det leda till att maskinen och batterikassetten glider ur händerna på dig och blir skadade och orsakar personskada.

⚠FÖRSIKTIGT: Se till att du låser batterikåpan före användning. I annat fall kan lera, smuts eller vatten orsaka skada på produkten eller batterikassetten.

⚠FÖRSIKTIGT: För alltid in batterikassetten helt tills den röda indikatorn inte längre syns. I annat fall kan den plötsligt lossna från maskinen och skada dig eller någon annan.

⚠FÖRSIKTIGT: Montera inte batterikassetten med våld. Om kassetten inte lätt glider på plats är den felaktigt insatt.

OBS: Maskinen fungerar inte med endast en batterikasset.

För att montera batterikassetten.

1. Dra upp säkerhetsspärren och öppna sedan batterikåpan.
► **Fig.13:** 1. Batterikåpa 2. Säkerhetsspärr

2. Rikta in batterikassetten tunga med öppningen på maskinen och skjut sedan in kassetten tills den låser fast med ett litet klick.

► **Fig.14:** (1) Batteriport 1 (2) Batteriport 2 (3) Batterikasset

OBS: Installera minst 2 batterikassetter i batteriport 1 eller batteriport 2.

3. Sätt in säkerhetsnyckeln på platsen som visas i figuren, så långt det går.

► **Fig.15:** 1. Säkerhetsnyckel

4. Stäng batterikåpan och tryck på den tills den sitter fast med låsreglaget.

Ta bort batterikassetten:

1. Dra upp säkerhetsspärren och öppna batterikåpan.

2. Dra ur batterikassetten från maskinen samtidigt som du skjuter på knappen på kassetten framsida.

3. Dra ut säkerhetsnyckeln.

4. Stäng batterikåpan.

Byta batterikassetterna

► **Fig.16:** 1. Batteriväljare

Maskinen använder 2 batterikassetter åt gången för att arbeta. Upp till 4 batterikassetter kan installeras i maskinen. Innan du använder maskinen, välj batteriport 1 eller batteriport 2 med hjälp av batteriväljaren.

OBS: Om endast 2 batterikassetter är installerade i maskinen, se då till att välja den batteriport som batterikassetterna är installerade i, med batteriväljaren.

Skyddssystem för maskinen/ batteriet

Maskinen är utrustad med ett batteriskyddssystem. Detta system bryter automatiskt strömmen till motorn för att förlänga maskinens och batteriets livslängd. Maskinen stannar automatiskt under användningen om maskinen eller batteriet hamnar i en av följande situationer:

Överbelastningsskydd

När batteriet används på ett sätt som gör att den drar onormalt mycket ström, stannar maskinen automatiskt och lampan för nätspänning blinkar grönt. När detta sker stänger du av maskinen och upphör med arbetet som gjorde att den överbelastades. Starta därefter upp maskinen igen.

Överhettningsskydd

När maskinen eller batteriet överhettas stannar maskinen automatiskt och lampan börjar blinka. I sådant fall ska du låta maskinen och batteriet svalna innan maskinen sätts på igen.

Överurladdningsskydd

När batterikapaciteten inte är tillräcklig stannar maskinen automatiskt och lampan börjar blinka rött. Ta i så fall bort batteriet från maskinen och ladda batterikassetterna eller byt ut batterikassetterna mot fulladdade.

Indikerar kvarvarande batterikapacitet

Endast för batterikassetter med indikator

► **Fig.17:** 1. Indikatorlampor 2. Kontrollknapp

Tryck på kontrollknappen på batterikassetten för att se kvarvarande batterikapacitet. Indikatorlamporna lyser i ett par sekunder.

Indikatorlampor			Kvarvarande kapacitet
Upplyst	Av	Blinkar	
■ ■ ■ ■	□	▬	75% till 100%
■ ■ ■ □	□	□	50% till 75%
■ ■ □ □	□	□	25% till 50%
■ □ □ □	□	□	0% till 25%
▬ □ □ □	□	□	Ladda batteriet.
■ ■ □ □	□	□	Batteriet kan ha skadats.
□ □ ■ ■	□	□	

OBS: Beroende på användningsförhållanden och den omgivande temperaturen kan indikationen skilja sig lätt från den faktiska batterikapaciteten.

Kontrollpanel

På kontrollpanelen finns strömbrytaren, knappen för lägesbyte samt indikator för återstående batterikapacitet.

- **Fig.18:** 1. Batteriindikator 2. Lampa för lägesbyte
3. Lampa för nätspänning 4. Kontrollknapp
5. Knapp för lägesbyte 6. Strömbrytare

Strömbrytare

⚠ VARNING: Stäng alltid av strömbrytaren när verktyget inte används.

Tryck på strömbrytaren för att sätta på maskinen. Strömbrytarlampan tänds grön. För att stänga av maskinen trycker du på strömbrytaren igen.

OBS: Om lampan för nätspänning börjar lysa rött eller blinka i rött eller grönt, se instruktionerna för skyddssystemet för maskinen/batteriet.






OBS: Denna maskin har en automatisk avstängningsfunktion. För att undvika oavsiktlig start kommer strömbrytaren automatiskt att stänga ner när avtryckaren eller körspärren (om sådan finns) inte aktiveras under en viss tid efter att strömbrytaren aktiverats.

Knapp för lägesbyte

Du kan ändra driftsläge genom att trycka på knappen för lägesbyte. När maskinen sätts på startar den i normalläge. När du trycker på knappen för lägesbyte slår maskinen över till bullerdämpningsläge och lampan för lägesbyte tänds grön. I bullerdämpningsläget kan du minska bullret vid gräsklippning. När du trycker på knappen för lägesbyte igen återgår maskinen till normalläge.

Indikerar kvarvarande batterikapacitet

Tryck på kontrollknappen för att se kvarvarande batterikapacitet. Batteriindikeringarna motsvarar varje batteri.

Batteriindikatorstatus		Kvarvarande batterikapacitet
 På	 Av	
		50% - 100%
		20% - 50%
		0% - 20%

OBS: Indikatorlamporna för återstående batterikapacitet är bara som referens. Den faktiska batterikapaciteten kan skilja sig beroende på användningsförhållandena.

OBS: Innan du trycker på kontrollknappen för att se kvarvarande batterikapacitet ska du stanna maskinen.

Avtryckarens funktion

⚠ VARNING: Innan du monterar batterikassetten ska du alltid kontrollera att säkerhetsgreppet fungerar korrekt och går tillbaka till ursprungsläget när det släpps. Allt använda maskinen med ett felaktigt säkerhetsgrepp kan leda till förlorad kontroll och allvarlig personskada.

OBS: Gräsklipparen startar inte utan att startknappen trycks in även om du drar in säkerhetsgreppet.

OBS: Det kan hända att gräsklipparen inte startar på grund av överbelastning när du försöker klippa långt eller tätt gräs. Öka i sådant fall klipphöjden.

Denna gräsklippare är utrustad med en säkerhetsnyckel och handtagsbrytare. Om du lägger märke till något onormalt med antingen säkerhetsnyckeln eller brytaren, ska du genast sluta använda maskinen och låta ditt närmaste auktoriserade servicecenter för Makita kontrollera dem.

För DLM462/DLM532

1. Sätt i batterikassetten. Sätt in säkerhetsnyckeln och stäng sedan batterikåpan.
2. Välj batterikassetterna som används för driften genom att vrida på batteriväljaren.
3. Tryck på strömbrytaren.
4. Dra säkerhetsgreppet mot dig medan du håller ner startknappen. Släpp startknappen så fort motorn startar.
► **Fig.19:** 1. Startknapp 2. Säkerhetsgrepp

OBS: Om säkerhetsnyckeln inte är isatt blinkar strömbrytarlampan grönt när du drar in avtryckaren.

5. Håll in säkerhetsgreppet och tryck körspärren framåt och håll den så att bakhjulen körs.
► **Fig.20:** 1. Körspär

OBS: Du kan driva bakhjulen genom att trycka körspärren framåt och hålla den utan att dra i säkerhetsgreppet.

6. Stanna maskinen genom att släppa körspärren och säkerhetsgreppet.

För DLM530

1. Sätt i batterikassetten. Sätt in säkerhetsnyckeln och stäng sedan batterikåpan.
2. Välj batterikassetterna som används för driften genom att vrida på batteriväljaren.
3. Tryck på strömbrytaren.
4. Dra säkerhetsgreppet mot dig medan du håller ner startknappen. Släpp startknappen så fort motorn startar.
► **Fig.21:** 1. Startknapp 2. Säkerhetsgrepp

OBS: Om säkerhetsnyckeln inte är isatt blinkar strömbrytarlampan grönt när du drar in avtryckaren.

5. Släpp säkerhetsgreppet för att stanna motorn.

Justering av klipphöjden

⚠ VARNING: Placera aldrig handen eller foten under gräsklipparen när du justerar klipphöjden.

⚠ VARNING: Kontrollera alltid att spaken sitter ordentligt i spåret före användning.

Klipphöjden kan justeras mellan 20 mm och 100 mm.

Ta bort säkerhetsnyckeln och dra sedan justeringsspaken för klipphöjd ut från gräsklipparen och flytta den till önskad klipphöjd.

► **Fig.22:** 1. Justeringsspak för klipphöjd

I tabellen nedan visas förhållandet mellan numret på gräsklipparstommen och uppskattad klipphöjd.

Nummer	Klipphöjd
1	20 mm
2	26 mm
3	32 mm
4	39 mm
5	47 mm
6	55 mm
7	63 mm
8	74 mm
9	86 mm
10	100 mm

Håll det främre handtaget eller det nedre handtaget med ena handen och flytta sedan justeringsspaken för klipphöjd med den andra handen.

► **Fig.23:** 1. Justeringsspak för klipphöjd 2. Nedre handtaget 3. Främre handtaget

OBS: Klipphöjdsstiffrorna bör endast användas som en riktlinje. Beroende på gräsmattans eller underlagets förhållanden kan den verkliga klipphöjden skilja sig något från den inställda höjden.

OBS: Gör en testklippning i ett mindre synligt område för att få önskad höjd.

Indikator för gräsnivå

Indikatorn för gräsnivå visar mängden gräs som har klippts. Om gräsupsamlaren inte är full flyter indikatorn medan knivarna är igång.

► **Fig.24:** 1. Indikator för gräsnivå

När gräsupsamlaren är nästan full flyter inte indikatorn medan knivarna är igång. Stoppa i så fall klippningen omedelbart och töm uppsamlaren.

► **Fig.25:** 1. Indikator för gräsnivå

OBS: Denna indikator ger en grov uppskattning. Beroende på förhållandena inuti uppsamlaren fungerar eventuellt inte denna indikator på rätt sätt.

Justera handtagets höjd

⚠ FÖRSIKTIGT: Innan du tar bort bultarna, håll stadigt i det övre handtaget. I annat fall kan handtaget falla och orsaka skador.

Handtagshöjden kan justeras i två steg.

1. Ta bort de övre bultarna på det nedre handtaget med hjälp av fast nyckel 13 och lossa sedan de nedre bultarna.

► **Fig.26:** 1. Övre bult 2. Nedre bult

2. Justera handtagshöjden och spänn sedan åt de övre och nedre bultarna ordentligt.

Justera rullhastigheten

För DLM462/DLM532

► **Fig.27:** 1. Hastighetsspak

Rullhastigheten kan ställas in med hastighetsspaken. Minska hastigheten genom att dra spaken mot dig och öka den genom att trycka den framåt.

Använda mulchingpluggen

Med mulchingpluggen kan du lämna det klippta gräset på marken utan att samla upp gräset i gräsupsamlaren. När du använder maskinen med mulchingpluggen måste du se till att ta bort gräsupsamlaren.

OBSERVERA: När maskinen används med mulchingpluggen måste du se till att gräsets totala längd är 30 mm eller mer, eller att den kapade längden är 15 mm eller mindre.

► **Fig.28:** (1) 30 mm eller mer (2) 15 mm eller mindre

Använda utkaststillbehör

För DLM530/DLM532

Med utkaststillbehöret kan du kasta ut det klippta gräset på marken från maskinens högra sida utan att samla upp gräset i gräsupsamlaren. När du använder maskinen med utkaststillbehöret, se till att installera mulchingpluggen och ta bort gräsupsamlaren.

Elektronisk funktion

Maskinen är utrustad med elektroniska funktioner för enkel användning.

- Konstant hastighetskontroll för knivrotationen
Elektronisk hastighetskontroll för att erhålla en konstant hastighet. Detta alternativ ger dig möjlighet att få en fin finish eftersom den roterande hastigheten hålls konstant även vid hög belastning.
- Mjukstart vid körning
Mjukstartsfunktionen minimerar ryck vid uppstarten och gör att maskinen får en mjuk start.
- Elektronisk broms
Denna maskin är försedd med en elektronisk broms. Om maskinen hela tiden misslyckas med att snabbt stoppa gräsklipparbladen efter att säkerhetsgreppet släppts, ska maskinen servas på Makita- auktoriserat servicecenter.

ANVÄNDNING

Gräsklippning

⚠ VARNING: Före gräsklippningen ska alla pinnar och stenar i klippområdet tas bort. Ta också bort ogräs i förväg.

⚠ VARNING: Bär alltid korgglasögon eller skyddsglasögon med sidoskydd när du använder gräsklipparen.

⚠ FÖRSIKTIGT: Om avklippt gräs eller främmande föremål täpper till inuti gräsklipparen, se då till att ta bort säkerhetsnyckeln och batterikassetten och ha handskar på innan du tar bort gräset eller det främmande föremålet.

OBSERVERA: Använd endast denna maskin för att klippa gräsmattor. Klipp inte ogräs med denna maskin.

► Fig.29

Håll stadigt i handtaget med båda händerna vid gräsklippningen. Riktlinjen för gräsklippning är ca 7 till 14 meter per 10 sekunder.

► Fig.30

Framhjulets centrumlinjer är klippbreddens riktlinje. Använd centrumlinjerna som riktlinjer, klipp i rader. Överlappa med en halv till en tredjedel på tidigare rad för att klippa gräsmattan jämnt.

► Fig.31: 1. Klippbredd 2. Överlappande område 3. Centrumlinje

Ändra klippriktning varje gång för att förhindra mönster i gräsmattan i bara en riktning.

► Fig.32

Kontrollera då och då att gräsupsamlaren inte är full. Töm gräsupsamlaren innan den är full. Före varje regelbunden kontroll ska gräsklipparen stängas av och säkerhetsnyckeln och batterikassetten tas ut.

OBSERVERA: Användning av gräsklipparen med en full gräsupsamlare förhindrar smidig knivrotation och lägger en extra belastning på motorn, vilket kan orsaka motorstopp.

Klippning av högt gräs

Försök inte att klippa av högt gräs på en och samma gång. Klipp istället gräset i omgångar. Klipp med en eller två dagars mellanrum tills gräsmattan är jämnt klippt.

► Fig.33

OBS: Att klippa högt gräs kort på en och samma gång kan leda till att gräset dör. Det klippta gräset kan också täppa igen undersidan av gräsklipparen.

Tömma gräsupsamlaren

⚠ VARNING: För att undvika risken för olyckor ska gräsupsamlaren kontrolleras regelbundet så att skada eller försvagning inte har uppstått. Byt ut gräsupsamlaren om så krävs.

1. Släpp säkerhetsgreppet och körspärren (för DLM462/DLM532), eller släpp säkerhetsgreppet (för DLM530).
2. Ta ut säkerhetsnyckeln.
3. Öppna det bakre höljet och ta ut gräsupsamlaren med hjälp av handtaget.
► Fig.34: 1. Bakre hölje 2. Handtag 3. Gräsupsamlare
4. Töm gräsupsamlaren.

UNDERHÅLL

⚠ VARNING: Se alltid till att säkerhetsnyckeln och batterikassetten tas ut från gräsklipparen innan du tar den i förvar, bär den eller försöker utföra kontroll eller underhåll på den.

⚠ VARNING: Ta alltid ut säkerhetsnyckeln när gräsklipparen inte används. Förvara säkerhetsnyckeln på en säker plats utom räckhåll för barn.

⚠ VARNING: Bär handskar vid kontroll eller underhåll.

⚠ VARNING: Bär alltid korgglasögon eller skyddsglasögon med sidoskydd när du utför kontroll eller underhåll.

OBSERVERA: Använd inte bensin, förtunningsmedel, alkohol eller liknande. Missfärgning, deformation eller sprickor kan uppstå.

För att upprätthålla produktens SÄKERHET och TILLFÖRLITLIGHET bör allt underhålls- och justeringsarbete utföras av ett auktoriserat Makita servicecenter och med reservdelar från Makita.

Underhåll

1. Ta bort säkerhetsnyckeln och batterikassetterna och stäng sedan batterikåpan.
2. Placera gräsklipparen på sidan så att justeringsspaken för klipphöjd är vänd uppåt. Rensa bort gräsklipp som samlats på undersidan av gräsdäcket.
3. Håll vatten mot botten av maskinen som kniven sitter fast på.

OBSERVERA: Tvätta inte av maskinen med högtrycksvattenstråle.

4. Kontrollera åtdragningen av alla muttrar, bultar, skruvar osv.
5. Kontrollera om klippdelar är skadade, trasiga eller utslitna. Skadade eller saknade delar bör repareras eller bytas ut.

6. Förvara gräsklipparen på en säker plats utom räckhåll för barn.

För DLM462/DLM532

OBSERVERA: Håll inte vatten på området som visas på bilden. Vatten i motorn kan orsaka funktionsfel på maskinen.

► Fig.35: 1. Område där vatten inte ska hällas

Bära gräsklipparen

När gräsklipparen ska bäras ska man vara två personer, som håller in det främre och bakre handtaget enligt bilden.

► Fig.36: 1. Främre handtaget 2. Bakre handtaget

Förvaring

Förvara gräsklippare inomhus på en kall, torr och låst plats. Förvara inte gräsklipparen och laddaren på platser där temperaturen kan nå eller överstiga 40 °C.

Ta bort eller montera gräsklipparkniven

⚠ VARNING: Kniven snurrar i några sekunder efter att säkerhetsgreppet har släppts. Påbörja inget arbete med kniven förrän den har stannat helt.

⚠ VARNING: Ta alltid ut säkerhetsnyckeln och batterikassetten när du tar bort eller monterar kniven. Underlåtelse att ta ut säkerhetsnyckeln och batterikassetten kan leda till allvarlig skada.

⚠ VARNING: Bär alltid handskar när du hanterar kniven.

Ta bort gräsklipparkniven

För modeller försedda med rak gräsklipparkniv

1. Placera gräsklipparen på sidan så att justerings-spaken för klipp höjd är vänd uppåt.

2. Lås kniven genom att sätta stiftet i ett hål på gräsklipparstommen.

3. Vrid bulten moturs med fast nyckel 17.

► Fig.37: 1. Gräsklipparkniv 2. Stift 3. Fast nyckel

4. Ta bort bulten och sedan gräsklipparkniven.

► Fig.38: 1. Knivstöd 2. Gräsklipparkniv 3. Bult 4. Utsprång

OBSERVERA: När gräsklipparkniven installeras, se då till att utsprången på knivstödet passar in i hålen på gräsklipparkniven.

För modeller försedda med svängande gräsklipparkniv

1. Placera gräsklipparen på sidan så att justerings-spaken för klipp höjd är vänd uppåt.

2. Lås bottenplattan genom att sätta in stiftet i ett hål på gräsklipparstommen genom ett hål på bottenplattan.

3. Vrid bulten moturs med fast nyckel 17.

► Fig.39: 1. Stift 2. Bottenplatta 3. Fast nyckel

4. Ta bort bulten och sedan bottenplattan.

► Fig.40: 1. Knivstöd 2. Bottenplatta 3. Bult 4. Utsprång

OBSERVERA: När gräsklipparknivarna installeras, se då till att utsprången på knivstödet passar in i hålen på bottenplattan.

5. Ta bort själva gräsklipparkniven genom att vrida bulten moturs med fast nyckel 17 samtidigt som du håller i bottenplattan.

► Fig.41: 1. Bottenplatta 2. Gräsklipparkniv 3. Fast nyckel

6. Ta bort muttern, brickan, fjäderbrickan, gräsklipparkniven och bulten i den ordningen.

► Fig.42: 1. Bulthål 2. Bult 3. Gräsklipparkniv 4. Fjäderbricka 5. Bricka 6. Mutter

OBSERVERA: När muttrarna dras åt för att installera de enskilda gräsklipparknivarna, använd då 30 N•m som vridmoment.

OBSERVERA: När den enskilda gräsklipparkniven installeras, se då till att fästa fjäderbrickan i den riktning som visas på bilden.

OBSERVERA: När den enskilda gräsklipparkniven installeras, se då till att sätta in bultarna i de bulthål som visas på bilden.

Installera gräsklipparkniven

⚠ VARNING: Montera gräsklipparkniven försiktigt. Den har en sida som ska vara uppåt och en som ska vara nedåt.

⚠ VARNING: Dra åt bulten medurs ordentligt för att fästa kniven.

⚠ VARNING: Se till att gräsklipparkniven och alla fixeringsdelarna monteras korrekt och dras åt ordentligt.

⚠ VARNING: När du byter ut knivarna ska du alltid följa anvisningarna i denna bruksanvisning.

OBSERVERA: Efter att gräsklipparknivarna installerats tar du bort stiftet från gräsklipparstommen.

Installera gräsklipparknivarna genom att utföra borttagningsproceduren i omvänd ordning.

FELSÖKNING

Innan du ber om reparation ska du först utföra en egen kontroll. Om du hittar ett problem som inte finns förklarat i bruksanvisningen ska du inte försöka att montera isär maskinen. Fråga istället ett auktoriserad servicecenter för Makita, och använd alltid reservdelar från Makita för reparationer.

Feltillstånd	Trolig orsak (felsfunktion)	Åtgärd
Gräsklipparen startar inte.	Två batterikassetter är inte insatta.	Sätt i de två laddade batterikassetterna.
	Batteriproblem (underspänning)	Ladda batterikassetten på nytt. Om laddning inte hjälper byter du ut batterikassetten.
	Säkerhetsnyckeln är inte i.	Sätt i säkerhetsnyckeln.
	Batteriväljaren är inte i rätt läge.	Välj den batteriport som batterikassetterna är installerade i, med hjälp av batteriväljaren.
Motorn stannar efter en kort stunds användning.	Batterinivån är låg.	Ladda batterikassetten på nytt. Om laddning inte hjälper byter du ut batterikassetten.
	Klipphöjden är för låg.	Öka klipphöjden.
	Gräsklipp har fastnat i klipparen.	Ta bort gräset som fastnat.
Motorn når inte det maximala varvtalet.	Batterikassetten är felaktigt insatt.	Sätt i batterikassetten enligt anvisningarna i denna bruksanvisning.
	Batterinivån sjunker.	Ladda batterikassetten på nytt. Om laddning inte hjälper byter du ut batterikassetten.
	Drivsystemet fungerar inte som det ska.	Lämna in till ditt lokala auktoriserade servicecenter för reparation.
Gräsklipparkniven roterar inte: ⇒ stoppa gräsklipparen omedelbart!	Ett främmande föremål som t.ex. en gren har fastnat nära kniven.	Ta bort det främmande föremålet.
	Drivsystemet fungerar inte som det ska.	Lämna in till ditt lokala auktoriserade servicecenter för reparation.
Onormal vibration: ⇒ stoppa gräsklipparen omedelbart!	Kniven är obalanserad, överdrivet eller ojämnt utsliten.	Byt ut kniven.

VALFRIA TILLBEHÖR

⚠ FÖRSIKTIGT: Följande tillbehör eller tillsatser rekommenderas för användning med den Makita-maskin som denna bruksanvisning avser. Om andra tillbehör eller tillsatser används kan det uppstå risk för personskador. Använd endast tillbehören eller tillsatserna för de syften de är avsedda för.

Kontakta ditt lokala Makita servicecenter om du behöver ytterligare information om dessa tillbehör.

- Gräsklipparkniv
- Makitas originalbatteri och laddare

OBS: Några av tillbehören i listan kan vara inkluderade i produktpaketet som standardtillbehör. De kan variera mellan olika länder.

TEKNISKE DATA

Modell:		DLM462	DLM530	DLM532
Kuttebredde (knivdiameter)		460 mm	534 mm	
Hastighet uten belastning		2 500 min ⁻¹	2 300 min ⁻¹	
Maks. hastighet		3 300 min ⁻¹	2 800 min ⁻¹	
Delenummer for reserve gressklipperkniv	Rett gressklipperkniv	191D51-9	191D52-7	
	Tilbakeklappbare gressklipperkniver *1	191D49-6	191D50-1	
	Tilbakeklappbare gressklipperkniver *2	191D47-0	191D48-8	
Mål (L x B x H)		L: 1 610 mm til 1 690 mm B: 535 mm H: 980 mm til 1 095 mm	L: 1 630 mm til 1 715 mm B: 590 mm H: 990 mm til 1 095 mm	
Kjørehastighet		2,5 – 5,0 km/h	–	2,5 – 5,0 km/h
Merkespenning		DC 36 V		
Nettovekt	Når rett gressklipperkniv er montert	35,3 - 39,0 kg	35,5 - 39,3 kg	39,0 – 42,8 kg
	Når tilbakeklappbare gressklipperkniver er montert	36,0 – 39,7 kg	36,2 – 40,0 kg	39,7 – 43,5 kg
Beskyttelsesgrad		IPX4		

*1. Bunnplate og enkeltstående gressklipperkniver.

*2. Kun enkeltstående gressklipperkniver.

- På grunn av vårt kontinuerlige forsknings- og utviklingsprogram kan spesifikasjonene som oppgis i dette dokumentet endres uten varsel.
- Spesifikasjonene kan variere fra land til land.
- Vekten kan variere avhengig av tilbehøret/tilbehørene, inkludert batteriet. Den letteste og tyngste kombinasjonen, i henhold til EPTA-prosedyre 01/2014, vises i tabellen.

Standard batteri

BL1815N / BL1820 / BL1820B / BL1830 / BL1830B / BL1840 / BL1840B / BL1850 / BL1850B / BL1860B

- Noen av batteriene som er opplistet ovenfor er kanskje ikke tilgjengelige, avhengig av hvor du bor.

⚠ ADVARSEL: Bruk kun de batteriene som er opplistet ovenfor. Bruk av andre batterier kan føre til personskader og/eller brann.

Symboler

Nedenfor ser du symbolene som brukes for dette utstyret. Forviss deg om at du forstår hva de betyr, før du begynner å bruke maskinen.



Vær spesielt forsiktig og oppmerksom.



Les bruksanvisningen.



Vær oppmerksom på at objekter kan bli kastet ut.



Avstanden mellom maskinen og andre personer enn operatøren må være minst 15 m.



Plasser aldri hender og føtter nær bladene under gressklipperen. Knivene fortsetter å rotere etter at motoren er slått av.



Fjern låsenøkkel før gressklipperen inspiseres, justeres, rengjøres, mottar service, forlates og oppbevares.



Elektrisk fare. Kontakt med vann kan føre til elektrisk støt.



Ikke tøm på vann.



Ni-MH
Li-Ion

Kun for EU-land
Kast aldri elektronutstyr eller batteripakker i husholdningsavfallet!
I henhold til EU-direktivene om kasserte elektriske og elektroniske produkter, og om batterier og akkumulatører og brukte batterier og akkumulatører og direktivenes iverksettning i nasjonal rett, må elektriske produkter og batterier og batteripakker som ikke lenger skal brukes, samles separat og returneres til et miljøvennlig gjenvinningsanlegg.

Riktig bruk

Denne maskinen er kun laget for gressklipping.

Støy

Typisk A-vektet lydtryknivå er bestemt i henhold til EN60335-2-77:

MERK: Verdiene er målt mens gressklipperen er utstyrt med den rette gressklipperkniven.

Modell DLM462

Lydtryknivå (L_{pA}): 82,7 dB (A)
Lydeffektnivå (L_{WA}): 90,9 dB (A)
Usikkerhet (K): 3 dB (A)

Modell DLM530

Lydtryknivå (L_{pA}): 78,1 dB (A)
Lydeffektnivå (L_{WA}): 90,4 dB (A)
Usikkerhet (K): 3 dB (A)

Modell DLM532

Lydtryknivå (L_{pA}): 78,1 dB (A)
Lydeffektnivå (L_{WA}): 90,4 dB (A)
Usikkerhet (K): 3 dB (A)

Støynivået under arbeid kan overskride 80 dB (A).

MERK: Den/de oppgitte verdien(e) for genererte vibrasjoner har blitt målt i henhold til standard testmetoder, og kan bli brukt til å sammenligne ett verktøy med et annet.

MERK: Den/de angitte verdien(e) for de genererte vibrasjonene kan også brukes til en foreløpig vurdering av eksponeringen.

⚠ ADVARSEL: Bruk hørselsvern.

⚠ ADVARSEL: De genererte vibrasjonene ved faktisk bruk av elektroverktøyet kan avvike fra den/de angitte vibrasjonsverdien(e), avhengig av hvordan verktøyet brukes.

⚠ ADVARSEL: Sørg for å identifisere vernetiltak for å beskytte operatøren, som er basert på et estimat av eksponeringen under de faktiske bruksforholdene (idet det tas hensyn til alle deler av driftssyklusen, dvs. hvor lenge verktøyet er slått av, hvor lenge det går på tomgang og hvor lenge startbryteren faktisk holdes trykket).

Vibrasjoner

Den totale vibrasjonsverdien (triaksial vektorsum) bestemt i henhold EN60335-2-77:

MERK: Verdiene er målt mens gressklipperen er utstyrt med den rette gressklipperkniven.

Modell DLM462

Genererte vibrasjoner (a_h): 2,5 m/s² eller mindre
Usikkerhet (K): 1,5 m/s²

Modell DLM530

Genererte vibrasjoner (a_h): 2,5 m/s² eller mindre
Usikkerhet (K): 1,5 m/s²

Modell DLM532

Genererte vibrasjoner (a_h): 2,5 m/s² eller mindre
Usikkerhet (K): 1,5 m/s²

MERK: Den/de oppgitte verdien(e) for totalt genererte vibrasjoner har blitt målt i henhold til standard testmetoder, og kan bli brukt til å sammenligne ett verktøy med et annet.

MERK: Den/de angitte verdien(e) for totalt genererte vibrasjoner kan også brukes til en foreløpig vurdering av eksponeringen.

⚠ ADVARSEL: De genererte vibrasjonene ved faktisk bruk av elektroverktøyet kan avvike fra den/de angitte vibrasjonsverdien(e), avhengig av hvordan verktøyet brukes og spesielt i forhold til arbeidsstykket som blir behandlet.

⚠ ADVARSEL: Sørg for å identifisere vernetiltak for å beskytte operatøren, som er basert på et estimat av eksponeringen under de faktiske bruksforholdene (idet det tas hensyn til alle deler av driftssyklusen, dvs. hvor lenge verktøyet er slått av, hvor lenge det går på tomgang og hvor lenge startbryteren faktisk holdes trykket).

EFs samsvarserklæring

Gjelder kun for land i Europa

EFs samsvarserklæring er lagt til som vedlegg A i denne bruksanvisningen.

SIKKERHETSADVARSEL

VIKTIGE SIKKERHETSINSTRUKSJONER

⚠ ADVARSEL: Les alle sikkerhetsadvarslene og alle instruksjonene. Hvis du ikke følger alle advarslene og instruksjonene som er oppført nedenfor, kan det føre til elektriske støt, brann og/eller alvorlige helseskader.

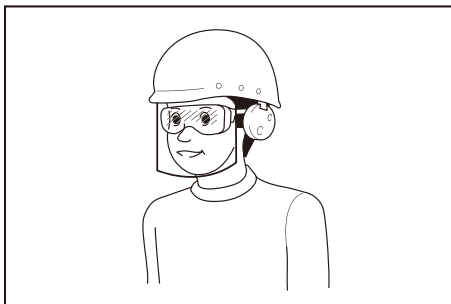
Oppbevar alle advarsler og instruksjoner for senere bruk.

Opplæring

1. Les nøye gjennom bruksanvisningen. Gjør deg kjent med kontrollene, og sett deg inn i hvordan gressklipperen fungerer.
2. La aldri barn eller personer som ikke er kjent med denne bruksanvisningen bruke gressklipperen. Lokale bestemmelser kan omfatte aldersgrenser for bruk av utstyret.
3. Aldri bruk gressklipperen mens uvedkommende (særlig barn og kjæledyr) er tilstede.
4. Vær oppmerksom på at operatøren eller brukeren er ansvarlig for ulykker eller skader som berører andre personer eller deres eiendom.
5. Barn skal holdes under tilsyn for å sikre at de ikke leker med gressklipperen.
6. Fysisk form - Bruk ikke gressklipperen under påvirkning av narkotika, alkohol eller noen medikamenter.

Klargjøring

1. Bruk alltid solid fottøy og lange benklær når gressklipperen brukes. Ikke bruk gressklipperen barbeint eller med åpne sandaler. Unngå klær og smykker som er løse eller har hengende snorer eller bånd. De kan sette seg fast i bevegelige deler.
2. Før bruk skal gressklipperen alltid kontrolleres visuelt med tanke på skade, manglende eller feilplasserte vern eller skjærmer.
3. Sørg for at ingen andre personer befinner seg på området før du begynner å klippe. Stans gressklipperen hvis noen kommer inn på området.
4. Ikke sett låsenøkkelen i gressklipperen før den er klar til bruk.
5. Bruk alltid vernebriller for å beskytte øynene mot skade når du bruker elektroverktøy. Brillene må oppfylle kravene i ANSI Z87.1 i USA, EN 166 i Europa eller AS/NZS 1336 i Australia/New Zealand. I Australia/New Zealand er det dessuten lovpålagt å bruke et ansiktsvern for å beskytte ansiktet.



Det er arbeidsgivers ansvar å påse at verktøyoperatørene og alle andre personer i arbeidsområdets umiddelbare nærhet bruker riktig verneutstyr.

6. Før bruk må du kontrollere nøye at knivene eller knivboltene ikke har sprekker eller andre skader. Skift ut sprukne eller ødelagte kniver eller knivbolter omgående.
7. Før bruk av gressklipperen, fjern fremmedlegemer fra arbeidsområdet, som for eksempel steiner, ledninger, flasker, bein og store pinner, for å hindre helseskade eller skade på gressklipperen.
8. Gjenstander som slår mot gressklipperen, kan forårsake alvorlig helseskade. Plenen bør alltid undersøkes nøye og alle objekter fjernes før hver klipping.
9. Se opp for hull, furer, dumper, steiner eller andre skjulte gjenstander. Ujevnt terreng kan forårsake en skli- og fallulykke. Høyt gress kan skjule gjenstander.
10. Ikke sett inn eller ta ut låsenøkkelen når det regner.
11. Bruk personlig verneutstyr. Bruk alltid beskyttelsesbriller. Verneutstyr som for eksempel støvmaske, skliskre vernesko, hjelm og hørselsvern reduserer faren for personskader når det brukes riktig.

Bruk

1. Ikke strekk deg for langt. Pass alltid på at du holder balansen. Sørg alltid for å ha godt fotfeste i skråninger. Gå, løp aldri.
2. Stopp gressklipperen og ta ut låsenøkkelen, og kontroller at alle bevegelige deler har stoppet helt opp:
 - alltid når du forlater gressklipperen,
 - før du fjerner ting som har satt seg fast eller renser rennen,
 - før kontroll, rengjøring eller arbeid på gressklipperen,
 - etter at du har slått borti et fremmedlegeme.Kontroller gressklipperen med tanke på skade, og reparer før ny oppstart og bruk av gressklipperen,
 - når utstyret begynner å vibrere unormalt kraftig.
3. Aldri bruk en gressklipper som har defekte vern eller beskyttelse, eller som ikke har sikkerhetsutstyr som for eksempel deflektorer og/eller gresskurv på plass.
4. Unngå å bruke gressklipperen under dårlige værforhold, spesielt hvis det er fare for lyn.
5. Du må alltid ha på deg vernebriller og solide sko når du bruker gressklipperen.
6. Gressklipperen skal kun brukes i dagslys eller ved god kunstig belysning.
7. Start gressklipperen forsiktig i henhold til instruksjonene og hold føttene på god avstand fra bladene.
8. Ta nødvendige forholdsregler for å unngå at gressklipperknivene skader føtter eller hender.
9. Pass på at ventilasjonsåpningene alltid holdes fri for rusk og rask.
10. Klipp på tvers av skråninger, aldri oppover og nedover. Vær svært forsiktig under endring av retning i skråninger. Ikke klipp allfor bratte skråninger.
11. Vær svært forsiktig når du rygger eller trekker gressklipperen mot deg.
12. Stans bladene hvis gressklipperen må skråstilles for transporter, ved kryssing av overflater som ikke er gress og under transportering av gressklipperen til og fra området der den skal brukes.
13. Ikke skråstill gressklipperen når motoren slås på, unntatt når gressklipperen må skråstilles for oppstart. I så fall må den ikke skråstilles mer enn absolutt nødvendig, og det er bare delen som er vendt bort fra brukeren som skal løftes. Forsikre deg alltid om at begge hendene er i arbeidsstilling før du setter gressklipperen tilbake på bakken.
14. Ikke plasser hender og føtter nær eller under roterende deler. Hold avstand fra avløpsåpningen til enhver tid.
15. Ikke transporter gressklipperen mens den er påslått.
16. Unngå å bruke gressklipperen på vått gress.
17. Hold alltid godt fast i håndtaket.
18. Ikke grip tak i skjæreblader eller skjærekanten når du plukker opp eller holder i gressklipperen.

19. Hold hender og føtter i god avstand fra de roterende bladene. Forsiktig - knivene fortsetter å rotere etter at gressklipperen er slått av.
20. Stans arbeidet umiddelbart dersom du noterer noe uvanlig. Slå av gressklipperen, og ta ut låsenøkkelen. Undersøk så gressklipperen.
21. Du må aldri justere kutteghøyden mens gressklipperen svinger hvis gressklipperen er utstyrt med funksjonen for justering av kutteghøyde.
22. Slipp startbryteren og vent til knivene slutter å rotere før du krysser oppkjørsler, stier, veier og alle grusbelagte områder. I tillegg må du ta ut låsenøkkelen hvis du forlater gressklipperen, skal plukke opp noe eller fjerne noe som ligger i veien, eller hvis noe av en eller annen grunn avleder deg fra det du holder på med.
23. Hvis gressklipperen slår mot et fremmedlegeme, følger du disse trinnene:
 - Stans gressklipperen, slipp startbryteren og vent til bladene stanser helt.
 - Ta ut låsenøkkelen og batteriet.
 - Undersøk gressklipperen nøye for skader.
 - Erstatt bladet om det på noen måte skulle være skadet. Reparer alle skader før ny oppstart og fortsatt bruk av gressklipperen.
24. Ikke start gressklipperen mens du står foran avløpsåpningen.
25. Hvis gressklipperen begynner å vibrere uvanlig mye (undersøk umiddelbart)
 - inspiser for skader,
 - skift ut eller reparer enhver skadet del,
 - kontroller og stram enhver løs del.
26. Du må aldri rette materiale som kommer ut mot andre personer. Unngå å rette materiale som kommer ut mot en vegg eller hindring. Materiale kan bli slynget tilbake mot operatøren. Stopp kniven når du krysser grusunderlag.
27. Ikke dra gressklipperen bakover med mindre det er helt nødvendig. Når du er nødt til å rygge gressklipperen bort fra et gjerde eller lignende, ser du ned og bak deg før og mens du beveger deg bakover.
28. Slå av motoren, og vent til kniven stopper helt opp før du tar av gressfangeren. Vær oppmerksom på at knivene beveger seg selv om gressklipperen er slått av.
29. Når du bruker maskinen på gjørmete underlag, i våte bakker eller på glatte steder, må du passe på at du ikke mister fotfestet.
30. Unngå å arbeide under dårlige forhold som kan føre til utslitthet.
31. Ikke bruk maskinen i dårlig vær med begrenset sikt. Det kan føre til feil bruk eller at du faller på grunn av dårlig sikt.
32. Ikke senk maskinen ned i en vannpytt.
33. Når vått løv eller jord kleber seg til sugeåpningen (ventilasjonsvinduet) på grunn av regn, må det fjernes.
34. Ikke bruk maskinen i snøen.
35. Hvis det klippede gresset er vått, vil det sannsynligvis sette seg fast inni maskinen. Kontroller maskinens tilstand regelmessig, og fjern gresset som har klebet seg fast ved behov.
36. Når du bruker maskinen, må du være oppmerksom på rør og ledninger.
37. Ikke bruk en kablet strømforsyning som batteriadapter eller bærbart lader med denne maskinen. Strømforsyningens kabel kan komme i veien under bruk og føre til personskade.

Vedlikehold og oppbevaring

1. Erstatt slitte og skadete deler for å trygge sikkerheten. Bruk kun originale reservedeler og tilbehør.
2. Kontroller og vedlikehold gressklipperen regelmessig.
3. Når gressklipperen ikke er i bruk, må den holdes utenfor barns rekkevidde.
4. Pass på at alle muttere, bolter og skruer sitter fast for å sikre at utstyret er i god stand.
5. Sjekk gresskurven ofte for slitasje eller skader. For oppbevaring må du alltid sørge for at gresskurven er tom. Av hensyn til sikkerhet må en slitt gresskurv alltid skiftes ut med en ny fabrikkprodusert gresskurv.
6. Bruk kun produsentens originale blader som spesifisert i denne bruksanvisningen.
7. Vær forsiktig under justering av gressklipperen slik at fingrene ikke befinner seg mellom roterende blader og gressklipperens faste deler.
8. Kontroller hyppig at bladets festebolt sitter ordentlig fast.
9. La alltid gressklipperen avkjøles før den settes til oppbevaring.
10. Under service på bladene, vær oppmerksom på at selv om strømkilden er avslått, kan bladene fremdeles bevege seg.
11. Du må aldri fjerne eller klusse med sikkerhetsutstyr. Kontroller regelmessig at det fungerer som det skal. Du må aldri gjøre noe for å hindre den tiltenkte funksjonen til sikkerhetsutstyr eller for å redusere beskyttelsen som sikkerhetsutstyr gir.
12. Ikke etterlat maskinen uten tilsyn utendørs når det regner.
13. Ikke vask maskinen med høytrykksvann.
14. Når du skal vaske maskinen, må du ta ut batteriet og låsenøkkelen, og lukke batteridekselet. Tøm vann mot bunnen av maskinen der kniven er festet.
15. Ved oppbevaring av maskinen skal du unngå direkte sollys og regn, og den skal oppbevares på et sted som ikke blir varmt eller fuktig.
16. Inspeksjon og vedlikehold skal unngås på et sted som er beskyttet mot regn.
17. Før du setter bort maskinen etter bruk må du fjerne all skitt som har satt seg fast og tørke maskinen godt. Avhengig av sesong eller område er det fare for funksjonssvikt på grunn av frost.

Bruk og vedlikehold av batteridrevne maskiner

1. Batteriet må kun lades opp igjen med en lader spesifisert av produsenten. En lader som passer til én batteritype, kan være brannfarlig når den brukes med en annen batteritype.
2. Bruk elektroverktøy kun med spesifikt angitte batterier. Hvis det brukes et hvilket som helst annet batteri, kan dette utgjøre en fare for helse-skader og brann.

3. Når batteriet ikke er i bruk, må du holde verktøyet unna metallgjenstander som f.eks. binders, mynter, nøkler, spiker, skruer og andre små metallgjenstander som kan skape forbindelse mellom de to polene. Hvis batteripolene kortsluttes, kan du få brannår, eller det kan begynne å brenne.
4. Hvis batteriet utsettes for hardhendt bruk, kan det lette væske fra batteriet. Unngå kontakt med væsken. Hvis du kommer i kontakt med batterivæsken, må du skylle med vann. Hvis du får batterivæske i øynene, må du i tillegg oppsøke lege. Væske som kommer ut av batteriet, kan forårsake irritasjon eller forbrenninger.
5. Ikke bruk et batteri eller verktøy som er skadet eller endret på. Batterier som er skadet eller endret på kan oppføre seg upålitelig og medføre brann, eksplosjon eller fare for personskader.
6. Et batteri eller verktøy må ikke utsettes for brann eller for høy temperatur. Brann eller en temperatur over 130 °C kan forårsake eksplosjon.
7. Følg alle ladeinstruksjoner, og ikke lad batteriet eller verktøyet utenfor temperaturområdet som er angitt i instruksjonene. Feil lading eller ved temperaturer utenfor det angitte området, kan skade batteriet og øke faren for brann.

Elektrisk sikkerhet og batterisikkerhet

1. Ikke kast batteriet (batteriene) på åpen ild. Cellen kan eksplodere. Batterier skal leveres til en forhandler av elektroutstyr eller til et kommunalt avfallsmottak.
2. Ikke åpne eller ødelegg batteriet (batteriene). Elektrolytt som lekker ut er korroderende, og kan forårsake skader på øyne og hud. Den kan være giftig hvis den svelges.
3. Ikke skift batteri når det regner, eller i fuktige omgivelser.
4. Ikke lad batteriet utendørs.
5. Ikke håndter laderen, inkludert laderstøpset og laderterminalene, med våte hender.
6. Ikke skift ut batteriet når det regner.
7. Ikke la batteriklemmen komme i kontakt med væske som f.eks. vann, og batteriet må heller ikke senkes ned i vann. Ikke la batteriet stå ute i regnet, og du må heller ikke lade, bruke eller oppbevare batteriet på et fuktig eller vått sted. Hvis klemmen blir våt, eller hvis væske trenger inn i batteriet, kan batteriet kortslutte, og det er fare for overoppheting, brann eller eksplosjon.
8. Når du har tatt batteriet ut av maskinen eller laderen, må du feste batteridekselet på batteriet og oppbevare det på et tørt sted.
9. Ikke skift ut batteriet med våte hender.

Service

1. La en kvalifisert reparatør utføre service på det elektriske verktøyet ditt, og se til at vedkommende kun bruker originale reservedeler. Dette vil opprettholde sikkerheten til det elektriske verktøyet.
2. Aldri foreta service på skadde batterier. Service på batterier skal kun utføres av produsenten eller godkjente serviceleverandører.

TA VARE PÅ DISSE INSTRUKSENE.

⚠️ADVARSEL: IKKE LA hensynet til hva som er "behagelig" eller det faktum at du kjenner produktet godt (etter mange gangers bruk) gjøre deg mindre oppmerksom på sikkerhetsreglene for bruken av det aktuelle produktet.

Ved MISBRUK eller hvis ikke sikkerhetsreglene i denne bruksanvisningen følges, kan det oppstå alvorlig personskade.

Viktige sikkerhetsanvisninger for batteriinnsetts

1. Før du begynner å bruke batteriet, må du lese alle anvisninger og forsiktighetsregler på (1) batteriladeren, (2) batteriet og (3) det produktet batteriet skal brukes i.
2. Ikke ta fra hverandre batteriet.
3. Hvis driftstiden er blitt vesentlig kortere, må du omgående slutte å bruke maskinen. Hvis ikke kan resultatet bli overoppheting, mulige forbrenninger eller til og med en eksplosjon.
4. Hvis du får elektrolytt i øynene, må du skylle dem med store mengder rennende vann og oppsøke lege med én gang. Denne typen uhell kan føre til varig blindhet.
5. Ikke kortslett batteriet:
 - (1) De kan være ekstremt varme og du kan brenne deg.
 - (2) Ikke lagre batteriet i samme beholder som andre metallgjenstander, som for eksempel spiker, mynter osv.
 - (3) Ikke la batteriet komme i kontakt med vann eller regn.

En kortslutning av batteriet kan føre til et kraftig strømstøt, overoppheting, mulige forbrenninger og til og med til at batteriet går i stykker.
6. Ikke lagre maskinen og batteriet på steder hvor temperaturen kan komme opp i eller overskride 50 °C.
7. Ikke sett fyr på batteriet, ikke engang om det er sterkt skadet eller helt utslitt. Batteriet kan eksplodere hvis det begynner å brenne.
8. Vær forsiktig så du ikke mister batteriet eller utsetter det for slag.
9. Ikke bruk batterier som er skadet.
10. Lithium-ion-batteriene som medfølger er gjenstand for krav om spesialavfall. For kommersiell transport, f.eks. av tredjeparter eller speditører, må spesielle krav om pakking og merking følges. Før varen blir sendt, må du forhøre deg med en ekspert på farlig materiale. Ta også hensyn til muligheten for mer detaljerte nasjonale bestemmelser. Bruk teip eller maskeringsteip for å skjule åpne kontakter og pakk inn batteriet på en slik måte at den ikke kan bevege seg rundt i emballasjen.
11. Når du kasserer batteriinnsettsen, må du ta den ut av verktøyet og avhende den på et sikkert sted. Følg lokale bestemmelser for avhending av batterier.

12. Bruk batteriene kun med produkter spesifisert av Makita. Montere batteriene i produkter som ikke er konforme kan føre til brann, overheting eller elektrolyttlekkasje.
13. Hvis verktøyet ikke skal brukes over en lengre periode, må batteriet tas ut av verktøyet.

TA VARE PÅ DISSE INSTRUKSENE.

⚠️FORSIKTIG: Bruk kun originale Makita-batterier. Bruk av batterier som har endret seg, eller som ikke er originale Makita-batterier, kan føre til at batteriet sprekker og forårsaker brann, personskader og andre skader. Det vil også ugyldiggjøre garantien for Makita-verktøyet og -laderen.

Tips for å opprettholde maksimal batterilevetid

1. Lad batteriinnsetsen før den er helt utladet. Stopp alltid driften av verktøyet og lad batteriinnsetsen når du merker at effekten reduseres.
2. Lad aldri en batteriinnsets som er fulladet. Overopplading forkorter batteriets levetid.
3. Lad batteriet i romtemperatur ved 10 °C - 40 °C. Et varmt batteri må kjøles ned før lading.
4. Lad batteriet hvis det ikke har vært brukt på en lang stund (over seks måneder).

MONTERING

⚠️ADVARSEL: Sørg alltid for at låsenøkkelen og batteriet er fjernet før det utføres noe arbeid på gressklipperen. Hvis ikke låsenøkkelen og batteriet fjernes, kan dette forårsake alvorlig personskade ved tilfeldig oppstart.

⚠️ADVARSEL: Start aldri opp gressklipperen før det er fullstendig montert. Bruk av maskinen i en delvis montert tilstand, kan føre til alvorlig personskade som følge av utilsikket oppstart.

Montering av håndtaket

OBS: Ved montering av håndtak, plasser ledningene slik at de ikke blir sittende fast i noe mellom håndtakene. Hvis ledningen er skadet kan det hende at gressklipperbryteren ikke virker.

1. Rett inn hullene i det nedre håndtaket med hullene i gressklipperen, og deretter strammer du 4 bolter midlertidig.
▶ Fig.1: 1. Nedre håndtak 2. Bolt
2. Stram de 4 boltene som ble midlertidig strammet i trinn 1, ved hjelp av stjernenøkkel 13.
3. Rett inn hullet i det nedre håndtaket med hullet i det øvre håndtaket, og sett deretter i boltene fra innsiden, før du strammer mutteren fra utsiden med stjernenøkkel 13. Gjør det samme på den andre siden.
▶ Fig.2: 1. Bolt 2. Nedre håndtak 3. Mutter 4. Hull 5. Øvre håndtak

⚠️FORSIKTIG: Hold det øvre håndtaket godt, slik at du ikke mister grepet. Ellers kan håndtaket falle ned og føre til personskader.

4. Fest holderne til håndtaket.

Rett inn fremspringet på holderen med hullene i håndtaket slik at fremspringene passer inn i hullene. Plasser ledningene som vist i figuren.

▶ Fig.3: 1. Ledning 2. Holder

Ta av utstyret for bioklipping

1. Åpne bakdekselet.
▶ Fig.4: 1. Bakdeksel
2. Ta av utstyret for bioklipping mens du holder spaken nede.
▶ Fig.5: 1. Spak 2. Utstyr for bioklipping

Montere eller ta av gresskurven

Følg trinnene nedenfor for å montere gresskurven.

1. Åpne bakdekselet.
▶ Fig.6: 1. Bakdeksel
2. Hold i håndtaket på gresskurven, og heft deretter gresskurven på stangen på gressklipperen som vist i figuren.
▶ Fig.7: 1. Stang 2. Håndtak 3. Gresskurv

Når du skal ta av gresskurven, åpner du bakdekselet, og deretter tar du av gresskurven ved å holde i håndtaket.

Feste utstyret for bioklipping

1. Åpne bakdekselet og fjern gresskurven.
▶ Fig.8: 1. Bakdeksel 2. Gresskurv
2. Fest utstyret for bioklipping mens du holder ned spaken, og slipp deretter spaken for å låse utstyret for bioklipping.
▶ Fig.9: 1. Spak 2. Utstyr for bioklipping

Feste utkastertilbehøret

For DLM530/DLM532

1. Åpne bakdekselet og fjern gresskurven.
▶ Fig.10: 1. Bakdeksel 2. Gresskurv
2. Fest utstyret for bioklipping mens du holder ned spaken, og slipp deretter spaken for å låse utstyret for bioklipping.
▶ Fig.11: 1. Spak 2. Utstyr for bioklipping
3. Åpne dekselet på høyre side og fest så utkastertilbehøret.
Sett inn krokene på utkastertilbehøret under stangen på dekselet på høyre side.
▶ Fig.12: 1. Deksel på høyre side 2. Utkastertilbehøret

Sette inn eller ta ut batteri

⚠️FORSIKTIG: Slå alltid av maskinen før du setter inn eller fjerner batteriet.

⚠️FORSIKTIG: Hold maskinen og batteriet i et fast grep når du monterer eller fjerner batteriet. Hvis du ikke maskinen verktøyet og batteriet godt fast, kan du miste grepet, og dette kan føre til skader på maskinen og batteriet samt personskade.

⚠️FORSIKTIG: Sørg for at du lukker batterilokket før bruk. Ellers kan søle, skitt eller vann påføre skader på produktet eller batteripatronen.

⚠️FORSIKTIG: Batteriet må alltid settes helt inn, så langt at den røde indikatoren ikke lenger er synlig. Hvis dette ikke gjøres, kan batteriet falle ut av maskinen og skade deg eller andre som oppholder seg i nærheten.

⚠️FORSIKTIG: Ikke bruk makt når du setter i batteriet. Hvis batteriet ikke glir lett inn, er det fordi det ikke settes inn på riktig måte.

MERK: Maskinen fungerer ikke med kun ett batteri.

Installering av batteriet;

1. Dra opp låsehendelen, og åpne batteridekselet.
▶ **Fig.13:** 1. Batterideksel 2. Låsehendel

2. Rett inn batterituppen med sporet på maskinen, og skyv inn batteriet til det låses på plass med et lite klikk.

▶ **Fig.14:** (1) Batteriport 1 (2) Batteriport 2 (3) Batteriinnsats

MERK: Sett minst 2 batterier i batteriport 1 eller batteriport 2.

3. Sett inn låsenøkkel på stedet vist på figuren, så langt den vil gå.

▶ **Fig.15:** 1. Låsenøkkel

4. Lukk batteridekselet og trykk på det inntil det låses sammen med låsespaken.

Ta ut batteriet;

1. Dra opp låsehendelen, og åpne batteridekselet.

2. Trekk batteriet ut av maskinen mens du skyver på knappen foran på batteriet og trekker det ut.

3. Trekk ut låsenøkkel.

4. Lukk batteridekselet.

Bytte batterier

▶ **Fig.16:** 1. Bryter for batterivalg

Maskinen bruker 2 batterier om gangen. Opptil 4 batterier kan settes inn i maskinen. Før du bruker maskinen, velger du batteriport 1 eller batteriport 2 ved å dreie bryteren for batterivalg.

MERK: Hvis kun 2 batterier er satt inn i maskinen, må du passe på å velge batteriporten der batteriene er satt inn ved hjelp av bryteren for batterivalg.

Maskinen er utstyrt med et vernesystem for maskin/batteri. Dette systemet slår automatisk av strømmen til motoren for å forlenge maskinens og batteriets levetid. Maskinen stopper automatisk under drift hvis maskinen eller batteriet utsettes for en av følgende tilstander:

Overlastsikring

Når batteriet brukes på en måte som gjør at det bruker unormalt mye strøm, vil maskinen stanse automatisk, og strømlampen blinker grønt. I denne situasjonen må du skru av maskinen og stanse bruken som forårsaket at maskinen ble overopphetet. Slå deretter maskinen på for å starte den igjen.

Overopphetingsvern

Når maskinen eller batteriet er overopphetet, stanser maskinen automatisk, og strømlampen lyser rødt. I dette tilfellet lar du maskinen og batteriet avkjøles før du starter maskinen på nytt.

Overutladningsvern

Når batterikapasiteten blir utilstrekkelig, stopper maskinen automatisk, og strømlampen blinker rødt. I dette tilfellet tar du batteriet ut av maskinen og lader batteriene, eller erstatt batteriene med fulladede batterier.

Indikere gjenværende batterikapasitet

Kun for batterier med indikatoren

▶ **Fig.17:** 1. Indikatorlamper 2. Kontrollknapp

Trykk på sjekk-knappen på batteriet for vise gjenværende batterikapasitet. Indikatorlampene lyser i et par sekunder.

Indikatorlamper			Gjenværende batterinivå
Tent	Av	Blinker	
■	□	◐	75 % til 100 %
■	■	□	50 % til 75 %
■	□	□	25 % til 50 %
■	□	□	0 % til 25 %
◐	□	□	Lad batteriet.
■	■	□	Batteriet kan ha en feil.
□	□	■	

MERK: Det angitte nivået kan avvike noe fra den faktiske kapasiteten alt etter bruksforholdene og den omgivende temperaturen.

Kontrollpanel

På kontrollpanelet finner du strømbryteren, knappen for modusskifte og indikatoren for gjenværende batterikapasitet.

► **Fig.18:** 1. Batteriindikator 2. Lampe for modusskifte 3. Strømlampe 4. Kontrollknapp 5. Knapp for modusskifte 6. Strømbryter

Strømbryter

⚠ ADVARSEL: Pass på å slå av strømbryteren når den ikke er i bruk.

Slå på maskinen ved å trykke på strømbryteren. Strømlampen lyser grønt. Slå av maskinen ved å trykke på strømbryteren på nytt.

MERK: Hvis strømlampen lyser rødt eller blinker grønt, se i instruksjonene for beskyttelsessystemet for maskin/batteri.






MERK: Denne maskinen bruker automatisk utkobling. For å unngå utilsiktet oppstart, vil strømbryteren slås av automatisk når du ikke drar i startbryteren og kjørespaken (hvis dette finnes) i løpet av en viss tidsperiode etter at strømbryteren er slått på.

Knapp for modusskifte

Du kan bytte driftsmodus ved å trykke på knappen for modusskifte. Når maskinen er slått av, starter maskinen opp i normal modus. Når du trykker på knappen for modusskifte, bytter maskinen til støyreduksjonsmodus, og lampen for modusskifte lyser grønt. I støyreduksjonsmodus kan du redusere støyen under gressklipping. Når du trykker på knappen for modusskifte på nytt, går maskinen tilbake til normal modus.

Indikere gjenværende batterikapasitet

Trykk på kontrollknappen for vise det gjenværende batterinivået. Batteriindikatorne korresponderer til hvert batteri.

Batteriindikatorstatus		Gjenværende batterikapasitet
 På	 Av	
		50 % - 100 %
		20 % - 50 %
		0% - 20%

MERK: Indikatorlampene for gjenværende batterikapasitet gjelder bare som referanse. Den virkelige batterikapasiteten kan variere avhengig av bruksforholdene.

MERK: Før du trykker på kontrollknappen for vise den gjenværende batterikapasiteten, må du stanse maskinen.

Bryterfunksjon

⚠ ADVARSEL: Før du setter batteriet inn, må du alltid kontrollere at bryterspaken fungerer som den skal, og at den går tilbake til sin opprinnelige posisjon når du slipper den. Hvis du bruker maskinen med en bryter som ikke fungerer som den skal, kan du komme til å miste kontrollen, og det kan føre til alvorlig personskade.

MERK: Gressklipperen starter ikke uten at bryterknappen trykkes på, selv hvis du trekker i bryterspaken.

MERK: Gressklipperen starter kanskje ikke på grunn av overlasten når du prøver å klippe langt eller tett gress i én økt. I slike tilfeller må du øke klippehøyden.

Denne gressklipperen er utstyrt med låsenøkkel og håndtaksbryter. Hvis du merker noe uvanlig med låsenøkkelen eller bryteren, stanser du bruken umiddelbart og får dem kontrollert hos nærmeste autoriserte Makita-servicesenter.

Før DLM462/DLM532

1. Sett inn batteriene. Sett i låsenøkkelen, og lukk deretter batteridekselet.
2. Velg batteriene som skal brukes ved å dreie bryteren for batterivalg.
3. Trykk på strømknappen.
4. Trekk bryterspaken mot deg mens du holder bryterknappen nede. Slipp bryterknappen så snart motoren begynner å kjøre.

► **Fig.19:** 1. Startknapp 2. Startspak

MERK: Hvis låsenøkkelen ikke er satt i, blinker strømlampen grønt når du drar i startbryteren.

5. Mens du holder bryterknappen, skyver du kjørespaken forover og holder den for å drive bakhjulene.

► **Fig.20:** 1. Kjørespak

MERK: Du kan drive bakhjulene ved å skyve kjørespaken forover og holde den uten å trekke i bryterspaken.

6. Slipp kjørespaken og bryterspaken for å stanse maskinen.

Før DLM530

1. Sett inn batteriene. Sett i låsenøkkelen, og lukk deretter batteridekselet.
2. Velg batteriene som skal brukes ved å dreie bryteren for batterivalg.
3. Trykk på strømknappen.
4. Trekk bryterspaken mot deg mens du holder bryterknappen nede. Slipp bryterknappen så snart motoren begynner å kjøre.

► **Fig.21:** 1. Startknapp 2. Startspak

MERK: Hvis låsenøkkelen ikke er satt i, blinker strømlampen grønt når du drar i startbryteren.

5. Slipp bryterspaken for å stanse motoren.

Tilpasse klippehøyden

⚠ ADVARSEL: Plasser aldri hånd eller ben under gressklipperens hoveddel når du justerer klippehøyden.

⚠ ADVARSEL: Sørg alltid for at spaken passer ordentlig inn i fordypringen før bruk.

Klippehøyden kan justeres i området mellom 20 mm og 100 mm.

Ta ut låsenøkkel, dra justeringshendelen for klippehøyde utover fra gressklipperen, og beveg den til ønsket klippehøyde.

► **Fig.22:** 1. Justeringshendel for klippehøyde

Tabellen nedenfor viser forholdet mellom tallet på gressklipperen og den omtrentlige klippehøyden.

Tall	Klippehøyde
1	20 mm
2	26 mm
3	32 mm
4	39 mm
5	47 mm
6	55 mm
7	63 mm
8	74 mm
9	86 mm
10	100 mm

Hold frontgrepet eller det nedre håndtaket med én hånd, og beveg deretter justeringshendelen for klippehøyde med den andre hånden.

► **Fig.23:** 1. Justeringshendel for klippehøyde
2. Nedre håndtak 3. Frontgrep

MERK: Tallene for klippehøyde er kun ment å være veiledende. Avhengig av plenen eller bakken kan faktisk plen høyde varierer litt fra den angitte høyden.

MERK: Gjør en prøveklipping på et mindre iøynefallende sted for å oppnå den høyden du ønsker.

Indikator for gressnivå

Indikatoren for gressnivå viser hvor mye gress som er klippet. Så lenge gresskurven ikke er full, flyter indikatoren når knivene sviver.

► **Fig.24:** 1. Indikator for gressnivå

Når gresskurven er nesten full, flyter ikke indikatoren når knivene sviver. Når dette skjer, må du umiddelbart stanse og tømme kurven.

► **Fig.25:** 1. Indikator for gressnivå

MERK: Denne indikatoren er kun en veiledning. Avhengig av tilstanden inne i kurven, kan det hende at indikatoren ikke fungerer som den skal.

Justere håndtakhøyden

⚠ FORSIKTIG: Før du tar ut boltene, må du holde godt fast i det øvre håndtaket. Ellers kan håndtaket falle ned og føre til personskader.

Håndtakhøyden kan justeres i to nivåer.

1. Ta bort de øvre boltene på det nedre håndtaket med stjernenøkkel 13, og deretter løsner du de nedre boltene.

► **Fig.26:** 1. Øvre bolt 2. Nedre bolt

2. Juster håndtakhøyden, og deretter strammer du de øvre og nedre boltene godt.

Justere kjørehastigheten

For DLM462/DLM532

► **Fig.27:** 1. Gasshåndtak

Kjørehastigheten kan justeres ved å dreie på gasshåndtaket. Vil du senke hastigheten, drar du håndtaket mot deg, og vil du øke hastigheten, dreier du håndtaket forover.

Bruke utstyret for bioklipping

Utstyret for bioklipping lar deg sende det klippede gresset til bakken uten å samle opp det klippede gresset i gresskurven. Når du bruker maskinen med utstyret for bioklipping, må du passe på å fjerne gresskurven.

OBS: Når du bruker maskinen med utstyret for bioklipping, må du kontrollere at gressets totale lengde er 30 mm eller mer, eller at skjærelengden er 15 mm eller mindre.

► **Fig.28:** (1) 30 mm eller mer (2) 15 mm eller mindre

Bruke utkastertilbehøret

For DLM530/DLM532

Utkastertilbehøret lar deg sende det klippede gresset til bakken fra den høye siden på maskinen, uten å samle opp det klippede gresset i gresskurven. Når du bruker maskinen med utkastertilbehøret, må du passe på å montere utstyret for bioklipping og fjerne gresskurven.

Elektronisk funksjon

Maskinen er utstyrt med de elektroniske funksjonen for å gjøre den enklere å bruke.

- Konstant hastighetskontroll for knivrotasjon
Elektronisk hastighetskontroll for å oppnå konstant hastighet. Slik oppnår du god utførelse, fordi rotasjonshastigheten holdes konstant selv under belastning.
- Mykstart ved kjøring
Myk start-funksjonen reduserer oppstartssjokket til et minimum, og gjør at maskinen starter mykt.
- Elektrisk brems
Denne maskinen er utstyrt med en elektrisk brems. Hvis maskinen konsekvent ikke stanser gressklipperknivene raskt når bryterspaken slippes, sendes maskinen til service hos et autorisert Makita-servisecenter.

BRUK

Klipping

⚠ADVARSEL: Før klipping, rydd vekk pinner og steiner fra klippeområdet. I tillegg, rensk vekk ugress fra området på forhånd.

⚠ADVARSEL: Bruk alltid vernebriller med sidevern under bruk av gressklipperen.

⚠FORSIKTIG: Hvis det klippede gresset eller fremmedlegemer hopper seg opp inni gressklipperen, må du ta ut låsenøkkelen og batteriet samt ta på deg hansker før du fjerner gresset eller fremmedlegemer.

OBS: Denne maskinen skal kun brukes til plenklipping. Ikke klipp ugress med denne maskinen.

► Fig.29

Hold håndtaket fast med begge hender under klippingen. Retningslinjen for klippehastighet er omtrent 7 til 14 meter per 10 sekunder.

► Fig.30

Senterlinjene på fronthjulene er veiledende for klippebredden. Klipp i striper ved hjelp av senterlinjene som veiledning. Overlapp med halvdelen til én tredel av den foregående stripen for å klippe plenen jevnt.

► Fig.31: 1. Klippebredde 2. Overlapping 3. Senterlinje

Skift klipperetning hver gang for å unngå at mønsteret for gresstreretningen dannes bare i én retning.

► Fig.32

Du må regelmessig kontrollere gressnivået i gresskurven. Tøm ut gresset før den blir helt full. Før hver regelmessige kontroll, må du sørge for at du stanser gressklipperen og tar ut låsenøkkelen og batteriet.

OBS: Bruk av gressklipperen med gresskurven full, hindrer jevn rotering av kniven og legger en ekstra belastning på motoren, hvilket kan føre til at den bryter sammen.

Klipping av plenen med høyt gress

Ikke forsøk å kutte langt gress i én omgang. Det er bedre å klippe gresset trinnvis. La det gå en dag eller to mellom hver klipping, inntil plenen blir jevnt kort.

► Fig.33

MERK: Dersom gresset klippes kort i én økt, kan det føre til at gresset dør. Oppkuttet gress kan også blokkere innsiden av gressklipperen.

Tømming av gresskurven

⚠ADVARSEL: For å redusere faren for ulykker, kontroller regelmessig gresskurven for skade eller redusert styrke. Skift om nødvendig ut gresskurven.

1. Slipp bryterspaken og kjørespaken (for DLM462/DLM532), eller slipp bryterspaken (for DLM530).
 2. Ta ut låsenøkkelen.
 3. Åpne bakdekselet, og ta ut gresskurven ved å holde i håndtaket.
- Fig.34: 1. Bakdekselet 2. Håndtak 3. Gresskurv
4. Tøm gresskurven.

VEDLIKEHOLD

⚠ADVARSEL: Sørg alltid for at låsenøkkelen og batteriet er tatt ut av gressklipperen før oppbevaring eller bæring av gressklipperen, eller forsøk på inspeksjon eller vedlikehold.

⚠ADVARSEL: Du må alltid ta ut låsenøkkelen når gressklipperen ikke er i bruk. Oppbevar låsenøkkelen på et trygt sted, utilgjengelig for barn.

⚠ADVARSEL: Bruk hansker når du utfører inspeksjon eller vedlikehold.

⚠ADVARSEL: Bruk alltid sikkerhets- eller vernebriller med sidevern når du utfører inspeksjon eller vedlikehold.

OBS: Aldri bruk gasolin, bensin, tynter alkohol eller lignende. Det kan føre til misfarging, deformering eller sprekkdannelse.

For å opprettholde produktets SIKKERHET og PÅLITELIGHET, må reparasjoner, vedlikehold og justeringer utføres av autoriserte Makita servicesentre eller fabrikkservicesentre, og det må alltid brukes reservedeler fra Makita.

Vedlikehold

1. Ta ut låsenøkkelen og batteriene, og lukk deretter batteridekselet.
2. Legg gressklipperen over på siden slik at justeringsspaken for klippehøyde kommer opp til den øverste siden. Fjern gress som har samlet seg på undersiden av maskinen.
3. Tøm vann mot bunnen av maskinen der kniven er festet.

OBS: Ikke vask maskinen med høytrykksvann.

4. Kontroller at alle muttere, bolter, skruer, osv. er ordentlig festet.
5. Kontroller bevegelige deler for skade, brudd og slitasje. Skadede og manglende deler skal repareres eller skiftes ut.
6. Oppbevar gressklipperen på et trygt sted som er utilgjengelig for barn.

For DLM462/DLM532

OBS: Ikke tøm vann i området som vises i figuren. Hvis du tømmer vann i motoren, kan det føre til at maskinen slutter å virke.

► Fig.35: 1. Området der vann ikke skal tømmes

Bære gressklipperen

Ved bæring av gressklipperen skal to personer holde i frontgrepet og bakgrepet som vist i figuren.

► **Fig.36:** 1. Frontgrep 2. Bakgrep

Oppbevaring

Oppbevar gressklipperen innendørs på et kjølig, tørt og låst sted. Ikke oppbevar gressklipperen og laderen på steder hvor temperaturen kan komme opp i eller overskride 40 °C.

Demontere eller montere gressklipperkniven

⚠ADVARSEL: Bladet roterer i noen få sekunder etter at bryteren er sluppet. Ikke start noen form for arbeid før kniven har stanset helt.

⚠ADVARSEL: Ta alltid ut låsenøkkelen og batteriet når bladet skal fjernes eller monteres. Hvis låsenøkkelen og batteriet ikke fjernes, kan dette forårsake alvorlig personskade.

⚠ADVARSEL: Når du håndterer bladet, bruk alltid hansker.

Ta ut gressklipperkniven

For modeller som er utstyrt med rett gressklipperkniv

1. Legg gressklipperen over på siden slik at justeringsspaken for klippehøyde kommer opp til den øverste siden.
2. Lås kniven ved å sette splinten inn i et hull på gressklipperen.
3. Drei boltene mot klokken med stjernenøkkel 17.
► **Fig.37:** 1. Gressklipperkniv 2. Splint 3. Stjernenøkkel
4. Fjern boltene og deretter gressklipperkniven.
► **Fig.38:** 1. Knivholder 2. Gressklipperkniv 3. Bolt 4. Fremspring

OBS: Når du monterer gressklipperkniven, må du sørge for at fremspringene på knivholderen passer inn i hullene i gressklipperkniven.

For modeller som er utstyrt med tilbakeklappbare gressklipperkniver

1. Legg gressklipperen over på siden slik at justeringsspaken for klippehøyde kommer opp til den øverste siden.
2. Bunnplaten låses ved å sette splinten inn i et hull på gressklipperen gjennom et hull i bunnplaten.
3. Drei boltene mot klokken med stjernenøkkel 17.
► **Fig.39:** 1. Splint 2. Bunnplate 3. Stjernenøkkel

4. Fjern boltene og deretter bunnplaten.

► **Fig.40:** 1. Knivholder 2. Bunnplate 3. Bolt 4. Fremspring

OBS: Når du monterer gressklipperkniven, må du sørge for at fremspringene på knivholderen passer inn i hullene i bunnplaten.

5. Når du skal fjerne den enkeltstående gressklipperkniven, dreier du boltene mot klokken med stjernenøkkel 17 mens du holder bunnplaten.

► **Fig.41:** 1. Bunnplate 2. Gressklipperkniv 3. Stjernenøkkel

6. Fjern mutteren, skiven, fjærskiven, gressklipperkniven og boltene i denne rekkefølgen.

► **Fig.42:** 1. Bolthull 2. Bolt 3. Gressklipperkniv 4. Fjærskive 5. Skive 6. Mutter

OBS: Når du strammer mutrene for å montere de enkeltstående gressklipperkniven, bruker du et tiltrekkningsmoment på 30 N•m.

OBS: Når du monterer den enkeltstående gressklipperkniven, må du sørge for å feste fjærskiven i retningen som vises i figuren.

OBS: Når du monterer den enkeltstående gressklipperkniven, må du sørge for å sette boltene inn i bolthullene som vist i figuren.

Montere gressklipperkniven

⚠ADVARSEL: Sett gressklipperkniven forsiktig inn. Den har en over- og underside.

⚠ADVARSEL: Stram til boltene med klokken for å feste bladet.

⚠ADVARSEL: Sørg for at gressklipperkniven og alle festedelenes er riktig montert og godt strammet.

⚠ADVARSEL: Når du skifter ut bladene, skal du alltid følge anvisningene i denne håndboken.

OBS: Når du har montert gressklipperkniven, fjerner du splinten fra gressklipperen.

Monter gressklipperkniven ved å følge fremgangsmåten for demontering i motsatt rekkefølge.

FEILSØKING

Inspiser utstyret selv før du bestiller reparasjon. Ikke prøv å demontere maskinen hvis du finner et problem som ikke er forklart i brukerveiledningen. I stedet skal du ta kontakt med et autorisert Makita-servicesenter, som alltid bruker reservedeler fra Makita til reparasjoner.

Unormal tilstand	Sannsynlig årsak (feil)	Løsning
Gressklipperen starter ikke.	De to batteriinnsatsene er ikke satt inn.	Sett inn to ladede batterikassetter.
	Batteriproblem (med spenning)	Lad batteriet. Hvis ladingen ikke virker, skal batteriet skiftes ut.
	Låsenøkkelen er ikke satt inn.	Sett inn låsenøkkelen.
	Bryteren for batterivalg er ikke i riktig stilling.	Velg batteriporten som batteriene er satt inn i ved hjelp av bryteren for batterivalg.
Motoren slutter å gå etter kort tids bruk.	Batteriets lade nivå er lavt.	Lad batteriet. Hvis ladingen ikke virker, skal batteriet skiftes ut.
	Klippehøyden er for lav.	Øk klippehøyden.
	Det sitter gress fast i gressklipperen.	Fjern gresset fra gressklipperen.
Motoren når ikke maksimalt antall omdreininger per minutt.	Batteriet er riktig satt inn.	Sett inn batteriet som beskrevet i denne håndboken.
	Batterieffekten minsker.	Lad batteriet. Hvis ladingen ikke virker, skal batteriet skiftes ut.
	Drivsystemet virker ikke slik det skal.	Kontakt ditt nærmeste autoriserte servicesenter hvis det oppstår behov for reparasjon.
Gressklipperkniven roterer ikke: ⇒ stans gressklipperen umiddelbart!	Fremmedlegemer, for eksempel grener, har satt seg fast nære kniven.	Fjern fremmedlegemet.
	Drivsystemet virker ikke slik det skal.	Kontakt ditt nærmeste autoriserte servicesenter hvis det oppstår behov for reparasjon.
Unormale vibrasjoner: ⇒ stans gressklipperen umiddelbart!	Kniven er i ubalanse, for slitt eller ujevnt slitt.	Skift ut kniven.

VALGFRITT TILBEHØR

⚠FORSIKTIG: Det anbefales at du bruker dette tilbehøret eller verktøyet sammen med Makita-maskinen som er spesifisert i denne håndboken. Bruk av annet tilbehør eller verktøy kan forårsake personskader. Tilbehør og verktøy må kun brukes til det formålet det er beregnet på.

Ta kontakt med ditt lokale Makita-servicesenter hvis du trenger mer informasjon om dette tilbehøret.

- Gressklipperkniv
- Makita originalbatteri og lader

MERK: Enkelte artikler på listen kan være inkludert som standardtilbehør i produktpakken. Artiklene kan variere fra land til land.

TEKNISET TIEDOT

Malli:		DLM462	DLM530	DLM532
Leikkuleveys (terän halkaisija)		460 mm	534 mm	
Kuormittamaton kierrosnopeus		2 500 min ⁻¹	2 300 min ⁻¹	
Enimmäisnopeus		3 300 min ⁻¹	2 800 min ⁻¹	
Ruohonleikkurin vaihtoterän osanumero	Suora ruohonleikkurin terä	191D51-9	191D52-7	
	Mukautuvat ruohonleikkurin terät *1	191D49-6	191D50-1	
	Mukautuvat ruohonleikkurin terät *2	191D47-0	191D48-8	
Mitat (P x L x K)		P: 1 610 mm – 1 690 mm L: 535 mm K: 980 mm – 1 095 mm	P: 1 630 mm – 1 715 mm L: 590 mm K: 990 mm – 1 095 mm	
Ajonopeus		2,5–5,0 km/h	–	2,5–5,0 km/h
Nimellisjännite		DC 36 V		
Nettopaino	Suoraa ruohonleikkurin terää käytettäessä	35,3 – 39,0 kg	35,5 – 39,3 kg	39,0–42,8 kg
	Mukautuvia ruohonleikkurin teriä käytettäessä	36,0–39,7 kg	36,2–40,0 kg	39,7–43,5 kg
Suojausluokka		IPX4		

*1. Pohjalevy ja yksittäiset ruohonleikkurin terät.

*2. Vain yksittäiset ruohonleikkurin terät.

- Jatkuvasta tutkimus- ja kehitystyöstämme johtuen esitetyt tekniset tiedot saattavat muuttua ilman erillistä ilmoitusta.
- Tekniset tiedot voivat vaihdella maittain.
- Paino voi olla erilainen lisävarusteista sekä akusta johtuen. EPTA-menettelytavan 01/2014 mukaisesti, taulukossa on kuvattu kevyin ja painavin laiteyhdistelmä.

Käytettävä akkupaketti







BL1815N / BL1820 / BL1820B / BL1830 / BL1830B / BL1840 / BL1840B / BL1850 / BL1850B / BL1860B

- Tiettyjä yläpuolella kuvattuja akkuja ei ehkä ole saatavana asuinalueestasi johtuen.

VAROITUS: Käytä vain edellä eriteltyjä akkupaketteja. Muiden akkupakettien käyttäminen voi aiheuttaa loukkaantumisen ja/tai tulipalon.

Symbolit

Laitteessa on käytetty seuraavia symboleja. Opettele niiden merkitys ennen käyttöä.

	Noudata erityistä varovaisuutta ja kiinnitä huomiota.
	Lue käyttöohje.
	Vaara; varo sinkoutuvia kappaleita.
	Sivullisten henkilöiden etäisyyden työkalusta on oltava vähintään 15 m.
	Pidä kätesi ja jalkasi kaukana ruohonleikkurin alla olevasta terästä. Terät jatkavat pyörimistä moottorin sammuttamisen jälkeen.
	Irrota lukitusavain ennen ruohonleikkurin tarkistamista, säätämistä, puhdistamista, huoltamista tai asettamista säiliöön.



Sähköiskuvaara. Kosketus veden kanssa voi johtaa sähköiskuun.



Älä kaada vettä tuotteen päälle.



Ni-MH
Li-ion

Koskee vain EU-maita
Älä hävitä sähkölaitteita tai akkuja tavallisen kotitalousjätteen mukana!
Sähkö- ja elektroniikkalaiteromua koskevan EU-direktiivin ja paristoja ja akkuja sekä käytettyjä paristoja ja akkuja koskevan direktiivin ja niiden maakohtaisten sovellusten mukaisesti käytetyt sähkölaitteet ja akut on toimitettava ongelmajätteen keräyspisteeseen ja ohjattava ympäristöystävälliseen kierrätykseen.

Käyttötarkoitus

Kone on tarkoitettu ruohonleikkuuseen.

Melutaso

Tyyppilinen A-painotettu melutaso määräytyy standardin EN60335-2-77 mukaan:

HUOMAA: Arvot on mitattu suorilla ruohonleikkurin terillä varustetusta ruohonleikkurista.

Malli DLM462

Äänenpainetaso (L_{pA}): 82,7 dB (A)
Äänen voiman taso (L_{WA}): 90,9 dB (A)
Virhemarginaali (K): 3 dB (A)

Malli DLM530

Äänenpainetaso (L_{pA}): 78,1 dB (A)
Äänen voiman taso (L_{WA}): 90,4 dB (A)
Virhemarginaali (K): 3 dB (A)

Malli DLM532

Äänenpainetaso (L_{pA}): 78,1 dB (A)
Äänen voiman taso (L_{WA}): 90,4 dB (A)
Virhemarginaali (K): 3 dB (A)

Työskentelyn aikana melutaso voi ylittää 80 dB (A).

HUOMAA: Ilmoitetut melutasoarvot on mitattu standarditestausmenetelmän mukaisesti ja niiden avulla voidaan vertailla työkaluja keskenään.

HUOMAA: Ilmoitettuja melutasoarvoja voidaan käyttää myös altistumisen alustavaan arviointiin.

VAROITUS: Käytä kuulosuojaimia.

VAROITUS: Sähkötyökalun käytön aikana mitattu melutasoarvo voi poiketa ilmoitetuista arvoista laitteen käyttötavan ja erityisesti käsiteltävän työkalun mukaan.

VAROITUS: Selvitä käyttäjän suojaamiseksi tarvittavat varoimet todellisissa käyttöolosuhteissa tapahtuvan arvioidun altistumisen mukaisesti (ottaen huomioon käyttöjako kokonaisuudessaan, myös jaksot, joiden aikana laite on sammutettuna tai käy tyhjäkäynnillä).

Tärinä

Kokonaistärinä (kolmen akselin vektorien summa) määräytyy standardin EN60335-2-77 mukaan:

HUOMAA: Arvot on mitattu suorilla ruohonleikkurin terillä varustetusta ruohonleikkurista.

Malli DLM462

Tärinäpäästö (a_h): 2,5 m/s² tai alhaisempi
Virhemarginaali (K): 1,5 m/s²

Malli DLM530

Tärinäpäästö (a_h): 2,5 m/s² tai alhaisempi
Virhemarginaali (K): 1,5 m/s²

Malli DLM532

Tärinäpäästö (a_h): 2,5 m/s² tai alhaisempi
Virhemarginaali (K): 1,5 m/s²

HUOMAA: Ilmoitetut kokonaistärinäarvot on mitattu standarditestausmenetelmän mukaisesti ja niiden avulla voidaan vertailla työkaluja keskenään.

HUOMAA: Ilmoitettuja kokonaistärinäarvoja voidaan käyttää myös altistumisen alustavaan arviointiin.

VAROITUS: Sähkötyökalun käytön aikana mitattu todellinen tärinäpäästöarvo voi poiketa ilmoitetuista arvoista laitteen käyttötavan ja erityisesti käsiteltävän työkalun mukaan.

VAROITUS: Selvitä käyttäjän suojaamiseksi tarvittavat varoimet todellisissa käyttöolosuhteissa tapahtuvan arvioidun altistumisen mukaisesti (ottaen huomioon käyttöjako kokonaisuudessaan, myös jaksot, joiden aikana laite on sammutettuna tai käy tyhjäkäynnillä).

EY-vaatimustenmukaisuusvakuutus

Koskee vain Euroopan maita

EY-vaatimustenmukaisuusvakuutus on liitetty tähän käyttöoppaaseen.

TURVAVAROITUKSET

TÄRKEITÄ TURVAOHJEITA

VAROITUS: Lue huolellisesti kaikki turvallisuusvaroitukset ja käyttöohjeet. Jos varoitusten ja ohjeiden noudattaminen laiminlyödään, seurauksena voi olla sähköisku, tulipalo ja/tai vakava vammautuminen.

Säilytä varoitukset ja ohjeet tulevaa käyttöä varten.

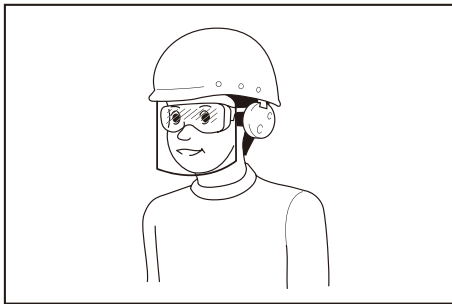
Koulutus

- Lue ohjeet huolellisesti. Perehdy ruohonleikkurin säätimiin ja asianmukaiseen käyttöön.
- Älä anna lasten tai näihin ohjeisiin perehtymättömien henkilöiden käyttää ruohonleikkuria. Paikalliset määräykset voivat rajoittaa käyttäjän ikää.
- Ruohonleikkuria ei saa koskaan käyttää, kun lähistöllä on muita henkilöitä, etenkin lapsia, tai lemmikkieläimiä.
- Muista, että käyttäjä vastaa tapaturmista tai vahingoista, jotka hän aiheuttaa muille ihmisille tai heidän omaisuudelleen.
- Lapsia tulee valvoa ja varmistaa etteivät he pääse leikkimään ruohonleikkurilla.
- Fyysinen kunto - älä käytä ruohonleikkuria huumausaineiden, alkoholin tai lääkeytyksen alaisena.

Valmistelu

- Käytä ruohonleikkuria käyttäessäsi aina tukevia jalkineita ja pitkiä housuja. Älä käytä ruohonleikkuria paljain jaloin tai avosandaalit jalassa. Älä käytä vaatteita tai koruja, jotka ovat väljiä tai joissa on irrallisia nauhoja tai ketjuja. Ne voivat tarttua laitteen liikkuviin osiin.
- Tarkasta ennen käyttöä silmämääräisesti, ettei ruohonleikkurissa näy merkkejä vaurioista ja ettei siitä puutu suojuksia tai kilpiä tai ettei niitä ole asennettu väärin.

3. Varmista ennen ruohonleikkurin aloittamista, ettei alueella ole muita ihmisiä. Lopeta ruohonleikkurin käyttö, jos työskentelyalueelle tulee muita.
4. Aseta lukitusvain ruohonleikkuriin vasta, kun leikkuri on käyttövalmis.
5. Käytä aina suojalaseja silmiesi suojaamiseksi tapaturmia vastaan sähkökäyttöisten laitteiden käytön aikana. Suojalasiin täytyy noudattaa ANSI Z87.1 Yhdysvalloissa, EN 166 Euroopassa tai AS/NZS 1336 Australiassa / Uudessa Seelannissa olevia vaatimuksia. Australiassa / Uudessa Seelannissa on lainmukaisesti pakollista käyttää kasvosuojaimia myös kasvojen suojaamiseksi.



Työnantajien velvollisuuksiin kuuluu varmistaa, että laitteen käyttäjät ja työpaikan välittömässä läheisyydessä olevat muut sivulliset henkilöt käyttävät asianmukaisia henkilönsuojaimia.

6. Tarkista ennen työskentely aloittamista, ettei terissä tai terien pulteissa ole halkeamia tai muita vikoja. Vaihda halkeilleet tai muuten vahingoittuneet terät tai terien pultit heti uusiin.
7. Poista työskentelyalueelta vieraat esineet, kuten kivet, langat ja köydet, pulut, luut ja suuret kepit, välttääksesi henkilövahingot tai ruohonleikkurin vahingot.
8. Ruohonleikkurin terien sinkoamat esineet voivat aiheuttaa vakavia henkilövahinkoja. Ennen jokaista leikkuukertaa nurmikko on tutkittava huolellisesti ja ylimääräiset esineet on poistettava alueelta.
9. Varo koloja, vakoja, töyssyjä, kiviä ja muita näkymättömissä olevia esineitä. Epätasainen maasto lisää liukastumisesta ja kaatumisesta johtuvien tapaturmien riskiä. Pitkä nurmi voi peittää esteet näkyvistä.
10. Älä aseta lukitusvainta paikalleen tai poista sitä sateella.
11. Käytä henkilönsuojaimia. Käytä aina suojalaseja. Suojavarusteiden, esimerkiksi hengityssuojaimen, pitävien turvakien, suojakypärän tai kuulosuojaimien, asianmukainen käyttö vähentää loukkaantumisia.

Käyttö

1. Älä ylikurkottele. Säilytä tasapainosi koko työskentelyn ajan. Varmista aina tukeva jalkasija rinteessä työskenneltäessä. Kävele, älä koskaan juokse.

2. Sattuessa muonleikkuriin, poista lukitusvain ja varmista, että kaikki liikkuvat osat ovat täysin pysähtyneet:
 - aina poistuessasi ruohonleikkurin luota,
 - ennen tukkeumien selvittämistä tai kourun puhdistamista,
 - ennen ruohonleikkurin tarkastamista, puhdistamista tai kunnossapitoa,
 - laitteen osuttua vieraaseen esineeseen.
 Tarkasta ruohonleikkuri vaurioiden varalta ja korjaa mahdolliset viat, ennen kuin käynnistät sen uudelleen,
 - aina, kun ruohonleikkuri alkaa täristä epänormaalisti.
3. Älä koskaan käytä ruohonleikkuria, jos suojukset tai kilvet ovat vioittuneet tai turvalaitteet, esimerkiksi kivisuoijat ja/tai ruohosäiliö, eivät ole paikallaan.
4. Vältä käyttämästä ruohonleikkuria huonoissa sääolosuhteissa, varsinkin ukkosella salamaiskun vaaran takia.
5. Käytä ruohonleikkuria käyttäessäsi aina suojalaseja ja kestäviä jalkineita.
6. Käytä ruohonleikkuria vain päivänvalossa tai kirkkaassa keinovalossa.
7. Käynnistä moottori varovaisuutta noudattaen ja ohjeiden mukaisesti ja pidä jalkasi poissa terän (terien) ulottuvilta.
8. Varo, etteivät ruohonleikkurin terät vahingoita jalkojasi tai käsiäsi.
9. Varmista aina, että ilmanvaihtoaukot ovat puhtaana liasta ja pölystä.
10. Leikkaa nurmikko rinteessä aina poikittaisuuntaan, älä koskaan ylös ja alas. Ole erityisen varovainen vaihtaessasi suuntaa rinteissä. Älä leikkaa nurmikkoa liian jyrkissä rinteissä.
11. Ole erityisen varovainen, kun peruutat ruohonleikkuria tai vedät sitä itseäsi kohti.
12. Pysäytä terät, jos ruohonleikkuria on tarpeen kallistaa ruohottomia alueita ylittettäessä, sekä silloin, kun siirät sitä leikattavalle nurmi-alueelle ja takaisin.
13. Älä kallista ruohonleikkuria moottorin käynnistyksen aikana, ellei se ole käynnistyksen kannalta välttämätöntä. Jos kallistaminen on välttämätöntä, kallista laitetta mahdollisimman vähän ja kohota vain käyttäjään nähden kauimpana olevaa puolta. Varmista aina, että molemmat kätesi ovat käyttöasennossa, ennen kuin lasket ruohonleikkurin maahan.
14. Älä aseta käsiäsi tai jalkojasi pyörivien osien alle tai lähelle. Pidä poistoaukko aina esteettömänä jäämistä.
15. Älä kuljeta ruohonleikkuria sen ollessa käynnissä.
16. Vältä ruohonleikkurin käyttämistä märällä nurmikolla.
17. Pidä aina tukevasti kiinni kahvasta.
18. Älä tartu leikkuuteriin tai leikkaaviin reunoihin, kun nostat tai kannattelet ruohonleikkuria.
19. Pidä jalkasi ja kätesi kaukana pyörivistä teristä. Varoitus - terät pyörivät vielä sen jälkeen kun leikkuri on kytketty pois päältä.

20. Lopeta käyttö heti, jos havaitset jotakin epätavallista. Sammuta ruohonleikkuri ja poista lukitusavain. Tarkista sitten ruohonleikkuri.
 21. Jos ruohonleikkurissa on leikkuukorkeuden säätömahdollisuus, älä koskaan yritä säätää leikkuukorkeutta, kun ruohonleikkuri on käynnissä.
 22. Vapauta kytkinvipu ja anna terien pysähtyä ennen ajo- ja kävelyreittien, yleisten teiden tai sorapintaisten alueiden ylittämistä. Poista lukitusavain, jos poistut ruohonleikkurin luota, kurotut nostamaan jotakin tai ottamaan jotakin pois tieltä tai teet muuta, joka voi jostain syystä siirtää huomiosi pois laitteen käytöstä.
 23. Jos ruohonleikkuri osuu vieraaseen esineeseen, toimi seuraavasti:
 - Pysäytä ruohonleikkuri, vapauta kytkinvipu ja odota, että terä pysähtyy täysin.
 - Poista lukitusavain ja irrota akkupaketti.
 - Tarkista ruohonleikkuri huolellisesti vaurioiden varalta.
 - Vaihda terä, jos se on jotenkin vaurioitunut. Korjaa mahdolliset vahingot ennen ruohonleikkurin uudelleen käynnistämistä ja toiminnan jatkamista.
 24. Älä käynnistä ruohonleikkuria seisossasi poistoaukon edessä.
 25. Jos ruohonleikkuri alkaa täräistä epänormaalisti (utki syy heti)
 - Tarkasta vauriot,
 - Vaihda tai korjaa vaurioituneet osat,
 - Tarkasta ja kiristä löystyneet osat.
 26. Älä koskaan suuntaa ulos lentävää materiaalia ihmisiä kohti. Vältä ulos lentävän materiaalin suuntaamista seinää tai muuta estettä kohti. Materiaali voi tällöin kimmota takaisin käyttäjää kohti. Pysäytä terä, kun ylität sorapintoja.
 27. Älä vedä ruohonleikkuria taaksepäin ellei se ole täysin välttämätöntä. Jos ruohonleikkuria on vedettävä taaksepäin aidan tai muun vastaavan esteen ohittamiseksi, katso taaksesi ja alas ennen kuin aloitat liikkua taaksepäin.
 28. Sammuta moottori ja odota, että terä pysähtyy täysin, ennen kuin irrotat ruohonkerääjän. Pidä mielessä, että terät pyörivät hetken vapaasti sammuttamisen jälkeen.
 29. Kun käytät laitetta mutaisessa maastossa, määrässä rinteessä tai liukkaassa paikassa, kiinnitä erityistä huomiota hyvän tasapainon säilyttämiseen.
 30. Vältä työskentelemistä heikoissa olosuhteissa, jotka saattavat uuvuttaa käyttäjää liiallisesti.
 31. Älä käytä laitetta huonoissa sääoloissa, kun näkyvyys on rajoittunut. Muussa tapauksessa seurausena voi olla heikentyneestä näkyvyydestä johtuva kaatuminen tai virhekäyttö.
 32. Älä upota laitetta lammikkoihin.
 33. Poista imuaukkoon (tuuletusaukkoon) kiinni jäävät määrät lehdet ja lika.
 34. Älä käytä laitetta lumessa.
 35. Jos leikattava nurmikko on märkää, sitä todennäköisesti pakkaantuu laitteen sisälle. Tarkista tällöin laitteen kunto säännöllisesti ja poista kiinni jäänyt ruoho tarvittaessa.
36. Kun käytät konetta, kiinnittä huomiota putkien ja johtojen sijaintiin.
37. Älä käytä koneen kanssa johdollista virtälähdettä, kuten akkusoivinta tai kannettavaa tehoyksikköä. Tällaisen virtälähteen johto voi haitata käyttöä ja aiheuttaa henkilövahingon.

Kunnossapito ja säilytys

1. Vaihda kuluneet tai vioittuneet osat turvallisuusyistä. Käytä vain aitoja varaosia ja tarvikkeita.
2. Tarkasta ja huolla ruohonleikkuri säännöllisesti.
3. Kun et käytä ruohonleikkuria, säilytä se lasten ulottumattomissa.
4. Varmista laitteen käyttöturvallinen kunto tarkistamalla, että kaikki mutterit, pultit ja ruuvit ovat tiukasti kiinni.
5. Tarkista säännöllisesti, ettei ruohosäiliössä ole kulumia tai murtumia. Tarkista ennen laitteen asettamista säiliöön, että ruohosäiliö on tyhjä. Kulunut ruohosäiliö on turvallisuusyistä korvattava tehdasuudella.
6. Käytä vain valmistajan tässä ohjeessa ilmoittamia teriä.
7. Varo laitteen säätämisen aikana, etteivät sormesi jää pyörivien terien ja ruohonleikkurin kiinteiden osien väliin.
8. Tarkista säännöllisesti, että terän kiinnityspultit ovat riittävän kireällä.
9. Anna ruohonleikkurin jäähtyä, ennen kuin siirrä sen varastoon.
10. Kun huollat teriä, muista, että vaikka virta on katkaistu, terät voivat silti liikkua.
11. Älä koskaan poista tai peukaloi turvalaitteita. Tarkista säännöllisesti, että ne toimivat oikein. Älä koskaan yritä vaikuttaa turvalaitteiden tarkoituksenmukaiseen toimintaan tai heikentää turvalaitteen toimivuutta.
12. Älä jätä laitetta ulos sateeseen ja valvomatta.
13. Älä pese laitetta korkeapaineisella vesisuihkulla.
14. Kun peset laitteen, irrota akku, poista lukitusavain ja sulje akun suojakansi ennen pesua ja kaada laitteen päälle vettä niin, että se valuu laitteen pohjaa eli terän kiinnityskohtaa kohti.
15. Kun varastoit laitteen, vältä sijoittamasta sitä paikkaan, jossa se altistuu suoralle auringonpaisteelle, sateelle, kuumuudelle tai kosteudelle.
16. Tee tarkistukset ja huoltotoimet paikassa, joka on suojassa sateelta.
17. Irrota kiinni jäänyt lika laitteesta ja kuivaa laite huolellisesti ennen sen varastoimista. Muutoin voi olla olemassa riski jäätymisestä johtuvalle toimintahäiriöllä vuodenajasta ja alueesta riippuen.

Akkukäyttöisen työkalun käyttö ja hoito

1. Lataa akkua vain valmistajan määrittämällä laturilla. Tietyille akkupaketille sopiva laturi voi aiheuttaa tulipalovaaran, jos sitä käytetään muuntyyppisen akkupaketin yhteydessä.
2. Käytä sähkötyökaluja vain määritysten mukaisten akkujen kanssa. Muuntyyppisten akkujen käyttäminen voi aiheuttaa loukkaantumista tulipalovaaran.

3. **Kun akku ei ole käytössä, säilytä se erillään metalliesineistä, kuten paperiliittimistä, kolikoista, avaimista, nauloista, ruuveista ja muista pienistä metalliesineistä, jotka voivat yhdistää akun navat.** Akun napojen oikosulkeminen voi aiheuttaa palovamman tai tulipalon.
4. **Akusta voi vuotaa nestettä, jos sitä käsitellään väärin. Vältä kosketusta.** Jos nestettä pääsee iholle vahingossa, huuhtele iho vedellä. **Jos nestettä pääsee silmiin, hakeudu lääkärin hoitoon.** Ulos purkautunut akkuneste voi ärsyttää ihoa tai aiheuttaa palovammoja.
5. **Älä käytä viallista tai muunneltua akkua tai työkalua.** Vialliset tai muunnellut akut voivat toimia odottamattomasti aiheuttamalla tulipalo-, räjähdys- tai tapaturmavaaran.
6. **Älä altista akkua tai työkalua tulelle tai äärimmäisille lämpötiloille.** Altistus tulelle tai yli 130 °C lämpötiloille voi aiheuttaa räjähdyksen.
7. **Noudata kaikkia latausohjeita, äläkä lataa akkua tai työkalua ohjeissa määritettyjen lämpötilarajojen ulkopuolella.** Väärin tai ohjeissa määritettyjen lämpötilarajojen ulkopuolella suoritettu lataus voi aiheuttaa akkuvaurion ja kasvattaa tapaturmavaaraa.

Sähköturvallisuus ja akku

1. **Älä hävitä akkuja polttamalla.** Akkukenno voi räjähtää. Tarkista, onko paikallisissa määräyksissä erityisiä laitteita koskevia hävitysohjeita.
2. **Älä avaa tai riko akkuja.** Akusta mahdollisesti vuotava elektrolyytti on syövyttävää ja saattaa vaurioittaa ihoa tai silmiä. Se saattaa olla myrkyllistä nieltynä.
3. **Älä lataa akkua sateessa tai kosteissa olosuhteissa.**
4. **Älä lataa akkua ulkona.**
5. **Älä käsittele laturia tai sen liitinosaa ja latausliittimiä märin käsin.**
6. **Älä vaihda akkua sateessa.**
7. **Älä kastele akun liittimiä nesteellä, kuten vedellä, äläkä upota akkua nesteeseen.** Älä jätä akkua sateeseen, äläkä lataa tai käytä akkua kosteassa tai märässä paikassa tai varastoi sitä tällaiseen paikkaan. Jos liitin kastuu tai akun sisälle pääsee nestettä, akku voi mennä oikosulkuun, mikä aiheuttaa ylikuumentumisen, tulipalon tai räjähdyksen vaaran.
8. **Kun akku on poistettu laitteesta tai laturista, kiinnitä akun suojakansi akkuun ja varastoi se kuivaan paikkaan.**
9. **Älä vaihda akkua märin käsin.**

Huolto

1. **Anna pätevän korjaajan huoltaa sähkötyökalusi käyttäen vain identtisiä varaosia.** Näin varmistetaan, että sähkötyökalun turvallisuus säilyy.
2. **Älä koskaan huolla viallisia akkuja.** Akkujen huolto on suoritettava ainoastaan valmistajan tai valtuutetun huoltoilijän toimesta.

SÄILYTÄ NÄMÄ OHJEET.

VAROITUS: ÄLÄ anna työkalun helppokäyttöisyyden (toistuvan käytön aikaansaama) johtaa sinua väärään turvallisuuden tunteeseen niin, että laiminlyöt työkalun turvaohjeiden noudattamisen.

VÄÄRINKÄYTTÖ tai tässä käyttöohjeessa ilmoitettujen turvamääräysten laiminlyönti voi aiheuttaa vakavia henkilövahinkoja.

Akkupakettia koskevia tärkeitä turvaohjeita

1. **Ennen akun käyttöönottoa tutustu kaikkiin laturissa (1), akussa (2) ja akkukäyttöisessä tuotteessa (3) oleviin varoitusteksteihin.**
 2. **Älä pura akkua.**
 3. **Jos akun toiminta-aika lyhenee merkittävästi, lopeta akun käyttö.** Seurauksena voi olla ylikuumentuminen, palovammoja tai jopa räjähdys.
 4. **Jos akkunestettä pääsee silmiin, huuhtele puhtaalla vedellä ja hakeudu välittömästi lääkärin hoitoon.** Akkuneste voi aiheuttaa näön menetyksen.
 5. **Älä oikosulje akkua.**
 - (1) **Älä koske akun napoihin millään sähköä johtavalla materiaalilla.**
 - (2) **Vältä akun oikosulkemista äläkä säilytä akkua yhdessä muiden metalliesineiden, kuten naulojen, kolikoiden ja niin edelleen kanssa.**
 - (3) **Älä aseta akkua alttiiksi vedelle tai sateelle.**
- Oikosulku voi aiheuttaa virtapiikin, ylikuumentumista, palovammoja tai laitteen rikkoutumisen.
6. **Älä säilytä työkalua ja akkua paikassa, jossa lämpötila voi nousta 50 °C:een tai sitäkin korkeammaksi.**
 7. **Älä hävitä akkua polttamalla, vaikka se olisi pahoin vaurioitunut tai täysin loppuun kulunut.** Avotuli voi aiheuttaa akun räjähtämisen.
 8. **Varo kolhimasta tai pudottamasta akkua.**
 9. **Älä käytä viallista akkua.**
 10. **Sisältyviä litium-ioni-akkuja koskevat vaarallisten aineiden lainsäädännön vaatimukset.** Esimerkiksi kolmansien osapuolten huolintaliikkeiden tulee kaupallisissa kuljetuksissa noudattaa pakkauksesta ja merkintöjä koskevia erityisvaatimuksia. Lähetettävän tuotteen valmistelu edellyttää vaarallisten aineiden asiantuntijan neuvontaa. Huomioi myös mahdollisesti yksityiskohtaisemmat kansalliset määräykset
- Akun avoimet liittimet tulee suojata teipillä tai suojuksella ja pakkaaminen tulee tehdä niin, ettei akku voi liikkua pakkauksessa.
11. **Kun akkupaketti on hävitettävä, poista se laitteesta ja hävitä se turvallisesti.** Hävitä akku paikallisten määräysten mukaisesti.
 12. **Käytä akkuja vain Makitan ilmoittamien tuotteiden kanssa.** Akkujen asentaminen yhteensopimattomilla tuotteisiin voi aiheuttaa tulipalon, liiallisen ylikuumentumisen, räjähdyksen tai akkunenestevuotoja.

4. Kiinnitä pidikkeet kahvan yläosaan.
Kohdista pidikkeen ulokkeet kahvan reikiin niin, että ulokkeet asettuvat reikiin. Sijoita johdot paikalleen kuvan mukaisesti.

SÄILYÄ NÄMÄ OHJEET.

⚠️HUOMIO: Käytä vain alkuperäisiä Makita-akkuja. Muiden kuin aitojen Makita-akkujen, tai mahdollisesti muutettujen akkujen käyttö voi johtaa akun murtumiseen ja aiheuttaa tulipaloja, henkilö- ja omaisuusvahinkoja. Se mitätöi myös Makita-työkalun ja -laturin Makita-takuun.

Vihjeitä akun käyttöön pidentämiseksi

1. Lataa akku ennen kuin se purkautuu täysin. Lopeta aina työkalun käyttö ja lataa akku, jos huomaat työkalun tehon vähenevän.
2. Älä koskaan lataa uudestaan täysin ladattua akkua. Yliilataaminen lyhentää akun käyttöikää.
3. Lataa akku huoneen lämpötilassa välillä 10 °C - 40 °C. Anna kuumen akun jäähtyä ennen lataamista.
4. Lataa akkupaketti, jos et käytä sitä pitkään aikaan (yli kuusi kuukautta).

KOKOONPANO

⚠️VAROITUS: Varmista aina ennen ruohonleikkurin huolto- ja korjaustoimia, että lukitusavain ja akkupaketti on irrotettu. Jos lukitusavainta ja akkua ei irroteta, laite voi käynnistyä vahingossa ja aiheuttaa vakavia vammoja.

⚠️VAROITUS: Älä koskaan käynnistä ruohonleikkuria, jos sen kaikkia osia ei ole täysin asennettu. Jos kaikki osat eivät ole paikallaan, kone voi käynnistyä tahattomasti ja aiheuttaa vakavia vammoja.

Kahvan asentaminen

HUOMAUTUS: Kun asennat kahvoja, sijoita liitäntäjohdot siten, etteivät ne voi tarttua mihinkään kahvojen välissä. Jos virtajohto vaurioitunut, ruohonleikkurin kytkin ei ehkä toimi.

1. Kohdista kahvan alaosaan reiät ruohonleikkurin rungossa oleviin reikiin ja kiristä 4 pulttia sitten tilapäisesti.
▶ **Kuva1:** 1. Kahvan alaosa 2. Pultti
2. Kiristä vaiheessa 1 tilapäisesti kiristetyt 4 pulttia lopulliseen tiukkuuteen koon 13 hylsyavaimella.
3. Kohdista kahvan alaosaan oleva reikä kahvan yläosan reiän kanssa, aseta sitten pultti paikalleen sisäpuolelta ja kiristä mutteri ulkopuolelta koon 13 hylsyavaimella. Tee sama toimenpide toisella puolella.
▶ **Kuva2:** 1. Pultti 2. Kahvan alaosa 3. Mutteri 4. Reikä 5. Kahvan yläosa

⚠️HUOMIO: Pidä kahvan yläosaa lujasti niin, ettei se putoa kädestäsi. Muutoin kahva voi kaatua ja aiheuttaa vammoja.

4. Kiinnitä pidikkeet kahvan reikiin niin, että ulokkeet asettuvat reikiin. Sijoita johdot paikalleen kuvan mukaisesti.

▶ **Kuva3:** 1. Johto 2. Pidike

Levitysosan irrottaminen

1. Avaa takakansi.
▶ **Kuva4:** 1. Takakansi
2. Pidä vipu alhaalla, kun irrotat levitysosan.
▶ **Kuva5:** 1. Vipu 2. Levitysosa

Ruohosäiliön asentaminen ja irrottaminen

Ruohosäiliö asennetaan seuraavien ohjeiden mukaisesti.

1. Avaa takakansi.
▶ **Kuva6:** 1. Takakansi
2. Ota kiinni ruohosäiliön kahvasta ja ripusta ruohosäiliö sitten ruohonleikkurin rungossa olevaan tankoon kuvan mukaisesti.
▶ **Kuva7:** 1. Tanko 2. Kahva 3. Ruohosäiliö

Irrota ruohosäiliö avaamalla takakansi, tarttumalla ruohosäiliön kahvaan ja vetämällä ruohosäiliö irti.

Levitysosan kiinnittäminen

1. Avaa takakansi ja irrota ruohosäiliö.
▶ **Kuva8:** 1. Takakansi 2. Ruohosäiliö
2. Kun kiinnität levitysosan, pidä vipua alhaalla. Lukitse levitysosa sitten paikalleen vapauttamalla vipu.
▶ **Kuva9:** 1. Vipu 2. Levitysosa

Poistolaitteen kiinnittäminen

DLM530/DLM532

1. Avaa takakansi ja irrota ruohosäiliö.
▶ **Kuva10:** 1. Takakansi 2. Ruohosäiliö
2. Kun kiinnität levitysosan, pidä vipua alhaalla. Lukitse levitysosa sitten paikalleen vapauttamalla vipu.
▶ **Kuva11:** 1. Vipu 2. Levitysosa
3. Avaa oikeanpuoleinen kansi ja kiinnitä poistolaite. Aseta poistolaitteen koukut oikeanpuoleisen kannen tangon alle.
▶ **Kuva12:** 1. Oikeanpuoleinen kansi 2. Poistolaite

TOIMINTOJEN KUVAUS

Akun asentaminen tai irrottaminen

▲HUOMIO: Sammuta kone aina ennen akun kiinnittämistä tai irrottamista.

▲HUOMIO: Pidä koneesta ja akkupaketista tiukasti kiinni, kun irrotat tai kiinnität akkupakettia. Jos kone tai akkupaketti putoaa käsistäsi, ne voivat vaurioitua tai aiheuttaa henkilövamman.

▲HUOMIO: Varmista ennen käyttöä, että akun suojus on lukittu. Muuten muta, hiekka tai vesi voisi vaurioittaa tuotetta tai akkua.

▲HUOMIO: Työnnä akkupaketti aina pohjaan asti, niin että punainen ilmaisin ei enää näy. Jos akku ei ole kunnolla paikallaan, se voi pudota koneesta ja aiheuttaa vammoja joko sinulle tai sivullisille.

▲HUOMIO: Älä käytä voimaa akun asennuksessa. Jos akku ei liu'uta paikalleen helposti, se on väärässä asennossa.

HUOMAA: Kone ei toimi vain yhdellä akkupaketilla.

Akun kiinnittäminen paikalleen;

1. Vedä lukitusvipu ylös ja avaa sitten akun suojakansi.

► **Kuva13:** 1. Akun suojus 2. Lukitusvipu

2. Kohdista akkupaketin kieleke koneen rakoon ja liu'uta sitten akkupakettia, kunnes se lukittuu paikalleen naksauttaen.

► **Kuva14:** (1) Akkuliitintä 1 (2) Akkuliitintä 2 (3) Akkupaketti

HUOMAA: Asenna vähintään 2 akkupakettia akkuliitintään 1 tai akkuliitintään 2.

3. Työnnä lukitusavain paikalleen niin pitkälle kuin sen menee.

► **Kuva15:** 1. Lukitusavain

4. Sulje akun kansi ja työnnä sitä, kunnes se lukittuu lukitusvivulla.

Akkupaketin irrottaminen;

1. Vedä lukitusvipu ylös ja avaa akun suojus.

2. Vedä akkupaketti ulos koneesta painamalla samalla akkupaketin etupuolella olevaa painiketta.

3. Vedä lukitusavain irti.

4. Sulje akun suojus.

Akkupakettien vaihtaminen

► **Kuva16:** 1. Akun valintakytkin

Kone käyttää 2 akkupakettia kerrallaan. Koneessa voi olla asennettuna samanaikaisesti 4 akkupakettia. Valitse akun valintakytkimellä ennen koneen käyttöä käyttöön joko akkuliitintä 1 tai 2.

HUOMAA: Jos koneeseen on asennettuna vain 2 akkupakettia, varmista, että valitset akun valintakytkimellä akkuliitännän, johon ne on asennettu.

Koneen/akun suojausjärjestelmä

Kone on varustettu koneen/akun suojausjärjestelmällä. Tämä järjestelmä pidentää koneen ja akun käyttöikää katkaisemalla automaattisesti moottorin virran. Kone pysähtyy automaattisesti kesken käytön, jos siinä tai akussa ilmenee jokin seuraavista tilanteista:

Ylikuormitussuoja

Kun akkua käytetään tavalla, joka saa sen kuluttamaan epätavallisen suuren määrän virtaa, kone pysähtyy automaattisesti ja päävirran merkivalo vilkkuu vihreänä. Katkaise tässä tilanteessa koneesta virta ja lopeta ylikuormitustilan aiheuttanut käyttö. Käynnistä sitten kone uudelleen kytkemällä lähtövirtaa.

Ylikuumenemissuoja

Koneen tai akun ylikuumentessa kone pysähtyy automaattisesti ja päävirran merkivalo alkaa vilkkua punaisena. Anna tällöin koneen ja akun jäähtyä, ennen kuin kytket virran uudelleen päälle.

Ylipurkautumissuoja



















Jos akkukapasiteetti ei riitä, kone pysähtyy automaattisesti ja päävirran merkivalo alkaa vilkkua punaisena. Irrota tällöin akku koneesta ja lataa akkupaketit tai vaihda akkupaketit täyteen ladattuihin.

Akun jäljellä olevan varaustason ilmaisin

Vain akkupaketeille ilmaisimella

► **Kuva17:** 1. Merkivalot 2. Tarkistuspainike

Painamalla tarkistuspainiketta saat näkyviin akun jäljellä olevan varaustason. Merkivalot palavat muutaman sekunnin ajan.

Merkivalot			Akussa jäljellä olevan varaus
 Palaa	 Pois päältä	 Vilkkuu	
			75% - 100%
			50% - 75%
			25% - 50%
			0% - 25%
			Lataa akku.
 	 ↑ ↓ 	 	Akussa on saattanut olla toimintahäiriö.

HUOMAA: Ilmoitettu varaustaso voi erota hieman todellisesta varaustasosta sen mukaan, millaisissa oloissa ja missä lämpötilassa laitetta käytetään.

Ohjauspaneeli

Ohjauspaneelissa on päävirtakytkin, tilanvaihtopainike ja jäljellä olevan akkuvirran ilmaisin.

- **Kuva18:** 1. Akun merkkivalo 2. Tilanvaihdon merkkivalo 3. Päävirran merkkivalo 4. Tarkistuspainike 5. Tilanvaihtopainike 6. Päävirtakytkin

Päävirtakytkin

VAROITUS: Kytke aina päävirtakytkin pois päältä, kun työkalua ei käytetä.

Kun haluat kytkeä laitteen päälle, paina päävirtakytkintä. Päävirran merkkivalo alkaa palaa vihreänä.

Kun haluat sammuttaa laitteen, paina päävirtakytkintä uudelleen.

HUOMAA: Jos päävirran merkkivalo palaa punaisena tai vilkkuu punaisena tai vihreänä, lue koneen/akun suojausjärjestelmää koskevat ohjeet.






HUOMAA: Tämä kone sisältää automaattisen sammutustoiminnon. Tahattoman käynnistyksen välttämiseksi päävirtakytkin sammuu automaattisesti, kun kytkinvipu ja ajovipu (jos se on asennettuna) on ollut käyttämättä määrätyn aikaa päävirtakytkimen ollessa kytkettynä päälle.

Tilanvaihtopainike

Tilanvaihtopainiketta painamalla voi vaihtaa toimintatilaa. Kun kone kytetään päälle, se käynnistyy normaalitilassa. Kun painat tilanvaihtopainiketta, kone siirtyy äänenvähennystilaan ja tilanvaihdon merkkivalo alkaa palaa vihreänä. Äänenvähennystilaa käyttämällä voit vaimentaa ruohonleikkusta aiheutuvia ääniä. Kun painat tilanvaihtopainiketta uudelleen, laite palaa normaalitilaan.

Akun jäljellä olevan varaustason ilmaisin

Painamalla tarkistuspainiketta saat näkyviin akun varaustason. Kumpikin akun ilmaisin vastaa yhtä akkua.

Akun tilan merkkivalo		Akussa jäljellä oleva varaus
 Päällä	 Pois päältä	
		50 % – 100 %
		20 % – 50 %
		0 % – 20 %

HUOMAA: Jäljellä olevan varaustason merkkivalot ovat vain viitteellisiä. Todellinen akkukapasiteetti voi vaihdella käytön mukaan.

HUOMAA: Ennen kuin tarkastat jäljellä olevan akkukapasiteetin tarkistuspainiketta painamalla, pysäytä kone.

Kytkimen käyttäminen

VAROITUS: Tarkista aina ennen akkupaketin asentamista paikalleen, että kytkinvipu kytketty oikein ja palaa alkuperäiseen asentoonsa, kun se vapautetaan. Jos konetta käytetään, kun kytkin ei toimi moitteettomasti, seurauksena voi olla hallinnan menetys ja vakava henkilövahinko.

HUOMAA: Ruohonleikkuri ei käynnisty painamatta katkaisinpainiketta, vaikka kytkinvipua vedetään.

HUOMAA: Ruohonleikkuri ei ehkä käynnisty ylikuormituksen vuoksi, kun yrität leikata pitkää tai tiheää ruohoa liiallisesti. Lisää tässä tapauksessa leikkuukorkeutta.

Tämä ruohonleikkuri on varustettu lukitusavaimella ja kahvassa olevalla kytkimellä. Jos lukitusavaimen tai kytkimen toiminnassa ilmenee jotakin epätavallista, lopeta käyttö heti ja pyydä valtuutettua Makita-huoltoliikettä tarkastamaan ne.

DLM462/DLM532

- Asenna akkupaketit paikalleen. Aseta lukitusavain paikalleen ja sulje sitten akun suojuus.
 - Valitse käytettävät akkupaketit akun valintakytkintä kääntämällä.
 - Paina päävirtakytkintä.
 - Vedä kytkinvipua itseäsi kohti pitämällä samalla kytkinpainiketta painettuna. Vapauta kytkinpainike heti, kun moottori alkaa pyöriä.
- **Kuva19:** 1. Kytkinpainike 2. Kytkinvipu

HUOMAA: Jos lukitusavain ei ole paikallaan, virran merkkivalo vilkkuu vihreänä, kun painat kytkinvipua.

- Kun pidät kytkinvipua painettuna ja painat ajovipua eteenpäin, takapyörät pyöriävät.
- **Kuva20:** 1. Ajovipu

HUOMAA: Takapyörät pyöriävät, kun painat ajovipua eteenpäin ja pidät sitä vetämättä kytkinvipua.

- Pysäytä kone vapauttamalla ajovipu ja kytkinvipu.

DLM530

- Asenna akkupaketit paikalleen. Aseta lukitusavain paikalleen ja sulje sitten akun suojuus.
 - Valitse käytettävät akkupaketit akun valintakytkintä kääntämällä.
 - Paina päävirtakytkintä.
 - Vedä kytkinvipua itseäsi kohti pitämällä samalla kytkinpainiketta painettuna. Vapauta kytkinpainike heti, kun moottori alkaa pyöriä.
- **Kuva21:** 1. Kytkinpainike 2. Kytkinvipu

HUOMAA: Jos lukitusavain ei ole paikallaan, virran merkkivalo vilkkuu vihreänä, kun painat kytkinvipua.

- Sammuta moottori vapauttamalla kytkinvipu.

Leikkuusyvyyden säätäminen

VAROITUS: Älä koskaan työnnä jalkojasi tai käsiäsi ruohonleikkurin rungon alle leikkuukorkeuden säädön aikana.

VAROITUS: Varmista aina ennen käyttöä, että vipu sopii uraan.

Leikkuukorkeuden säätöalue on 20 mm – 100 mm.

Poista lukitusavain, vedä sitten leikkuukorkeuden säätövipua ulospäin ruohonleikkurin rungosta ja säädä leikkuukorkeus haluamaksesi.

► **Kuva22:** 1. Leikkuukorkeuden säätövipu

Seuraavassa taulukossa on ilmoitettu ruohonleikkurin rungossa olevaa numeroa vastaava leikkuukorkeus.

Numero	Leikkuukorkeus
1	20 mm
2	26 mm
3	32 mm
4	39 mm
5	47 mm
6	55 mm
7	63 mm
8	74 mm
9	86 mm
10	100 mm

Pidä etukahvaa tai kahvan alaosa toisella kädellä ja liikuta sitten leikkuukorkeuden säätövipua toisella kädellä.

► **Kuva23:** 1. Leikkuukorkeuden säätövipu 2. Kahvan alaosa 3. Etukahva

HUOMAA: Leikkuukorkeuden arvoja tulee käyttää vain ohjeellisinä. Riippuen nurmikon tai maanpinnan kunnosta, todellinen nurmikon korkeus saattaa olla hieman erilainen kuin asetettu korkeus.

HUOMAA: Kokeile leikkuukorkeutta ensin nurmikon syrjäisemässä osassa.

Ruohomäärän ilmaisın

Ruohomäärän ilmaisın näyttää leikatun ruohon määrän. Kun ruohosäiliö ei ole täynnä, ilmaisın liikkuu terien pyöriessä.

► **Kuva24:** 1. Ruohomäärän ilmaisın

Kun ruohosäiliö on lähes täynnä, ilmaisın ei liiku terien pyöriessä. Lopeta tällöin leikkaaminen heti ja tyhjennä säiliö.

► **Kuva25:** 1. Ruohomäärän ilmaisın

HUOMAA: Tämä ilmaisın on vain karkea ohje. Säiliön sisäisen tilanteen mukaan ilmaisın ei ehkä toimi oikein kaikissa tilanteissa.

Kahvakorkeuden säätäminen

HUOMIO: Ennen kuin alat irrottaa pultteja, ota tukeva ote kahvan yläosasta. Muutoin kahva voi kaatua ja aiheuttaa vammoja.

Kahvan korkeutta voidaan säätää kahdella tasolla.

1. Irrota kahvan alaosaan yläpultit koon 13 hylsyavaimella ja löysää alapultteja.

► **Kuva26:** 1. Yläpultti 2. Alapultti

2. Säätä kahvan korkeus haluamaksesi ja kiristä sitten ylä- ja alapultit tiukasti.

Ajonopeuden säätäminen

DLM462/DLM532

► **Kuva27:** 1. Nopeusvipu

Ajonopeutta voidaan säätää nopeusvivulla. Kun haluat pienentää nopeutta, vedä vipua itseäsi kohti. Kun haluat lisätä nopeutta, paina vipua eteenpäin.

Levitysosaa käyttäminen

Levitysosaa käyttämällä leikatun ruohon voi palauttaa maahan keräämättä sitä ruohosäiliöön. Kun käytät levitysosaa koneessa, muista irrottaa ruohosäiliö.

HUOMAUTUS: Kun käytät konetta levitysosaa kanssa, varmista, että ruohon pituus on vähintään 30 mm tai leikkauspituus on enintään 15 mm.

► **Kuva28:** (1) Vähintään 30 (2) Enintään 15

Poistolaitteen käyttäminen

DLM530/DLM532

Poistolaitteella leikatun ruohon voi poistaa maahan koneen oikealta puolelta keräämättä sitä ruohosäiliöön. Kun käytät koneessa poistolaitetta, muista asentaa levitysosaa ja irrottaa ruohosäiliö.

Sähköinen toiminta

Laite on varustettu sähköisillä toiminnoilla helppokäyttöisyyttä ajatellen.

- Terän pyörimisen vakionopeussäätö
Sähköinen nopeudensäätö vakionopeuden saavuttamiseksi. Kauniin viimeistelyn saavuttaminen on mahdollista, koska pyörimisnopeus pysyy vakiona jopa kuormituksen alla.
- Pehmeä ajokäynnisty
Pehmeän käynnistyksen toiminto minimoi käynnistyskivun käynnistämällä laitteen tasaisesti.
- Sähköjarru
Tämä kone on varustettu sähköjarrulla. Jos koneen ruohonleikkurit terät toistuvasti pysähtyvät hitaasti, kun kytinvipu vapautetaan, huollata kone valtuutetussa Makita-huoltooliikkeessä.

TYÖSKENTELY

Ruohonleikkuu

VAROITUS: Poista kepit ja kivet leikkualueelta ennen leikkuaan aloittamista. Poista myös rikkaruohot alueelta ennen ruohon leikkaamista.

VAROITUS: Käytä sivusuojilla varustettuja suojalaseja aina, kun käytät ruohonleikkuria.

HUOMIO: Jos leikattu ruoho tai vierasesineet aiheuttavat tukoksen ruohonleikkurin rungossa, poista lukitusavain ja irrota akkupaketti ennen kuin alat poistaa ruohoa tai vierasesineitä. Käytä käsineitä poiston aikana.

HUOMAUTUS: Käytä tätä konetta vain ruohon leikkaamiseen. Älä leikkaa rikkakasveja täällä koneella.

► Kuva29

Pidä kahvasta tukevasti molemmin käsin kiinni leikkuaan aikana. Suositeltu leikkuaanopeus on noin 7–14 metriä 10 sekunnissa.

► Kuva30

Etupyörien keskiviivat toimivat leikkuaanopeuden oppaana. Käytä keskiviivoja apuna arvioinnissa ja leikkaa kaista kerrallaan. Limitä uusi kaista noin kolmasosasta puoleen väliin edellisen kaistan kanssa, niin leikatusta nurmikosta tulee tasainen.

► Kuva31: 1. Leikkuaanopeus 2. Limitäinen alue 3. Keskiviiva

Vaihda leikkuaanopeutta joka kaistalle, jotta leikkuaan kuvio ei ole vain yksisuuntainen.

► Kuva32

Tarkista aika ajoin ruohosäiliöstä leikattu ruohomäärä. Tyhjä ruoho, ennen kuin se on täynnä. Varmista ennen tarkastusta, että ruohonleikkuri on pysäytetty ja lukitusavain ja akkupaketti on irrotettu.

HUOMAUTUS: Jos ruohonleikkuria käytetään täysinlaisella ruohosäiliöllä, terä ei pääse pyörimään esteettä, mikä rasittaa moottoria ja voi vaurioittaa sitä.

Pitkän ruohon leikkaaminen

Älä yritä leikata pitkäsi kasvanutta nurmikkoa kokonaan yhdellä leikkuaanokerralla. Leikkaa sen sijaan nurmikkoa vaiheissa. Jätä päivä tai kaksi leikkuaanokertoja väliin, kunnes nurmikko on tasaisen lyhyt.

► Kuva33

HUOMAA: Pitkän ruohon leikkaaminen lyhyeksi yhdellä kerralla voi aiheuttaa ruohon kuoleamisen. Ruoho voi myös tukkia ruohonleikkurin rungon sisäpuolella.

Ruohosäiliön tyhjentyminen

VAROITUS: Onnettomuusrisikin pienentämiseksi ruohosäiliön kuntoa tulee valvoa jatkuvasti ja vaurioitunut tai heikentynyt säiliö on tarvittaessa vaihdettava. Vaihda ruohosäiliö tarvittaessa.

1. Vapauta kytkinvipu ja ajovipu (DLM462/DLM532) tai vapauta kytkinvipu (DLM530).
2. Irrota lukitusavain.
3. Avaa takakansi, tartu ruohosäiliön kahvaan ja vedä se irti kahvasta.
► Kuva34: 1. Takakansi 2. Kahva 3. Ruohosäiliö
4. Tyhjä ruohosäiliö.

KUNNOSSAPITO

VAROITUS: Varmista aina ennen ruohonleikkurin varastointia tai kantamista tai sen tarkastus- tai huoltotoimien aloittamista, että lukitusavain ja akkupaketti on irrotettu ruohonleikkurista.

VAROITUS: Poista aina lukitusavain, kun leikkuri ei ole käytössä. Säilytä lukitusavainta turvallisessa paikassa lasten ulottumattomissa.

VAROITUS: Käytä käsineitä tarkastuksen ja huollon aikana.

VAROITUS: Käytä sivusuojilla varustettuja suojalaseja aina, kun käytät teet tarkastus- tai huoltotoimia.

HUOMAUTUS: Älä koskaan käytä bensiniä, ohenteita, alkoholia tai tms. aineita. Muutoin pinta voi halkeilla tai sen värit ja muoto voivat muuttua. Muutoin laitteeseen voi tulla värjäytymiä, muodon vääristymiä tai halkeamia.

Tuotteen TURVALLISUUDEN ja LUOTETTAVUUDEN takaamiseksi korjaukset, muut huoltotyöt ja säädöt on teetettävä Makitan valtuutetussa huoltopisteessä Makitan varaosia käyttäen.

Huolto

1. Poista lukitusavain ja irrota akkupaketit ja sulje sitten akun suojakansi.
2. Käännä ruohonleikkuri kyljelleen siten, että leikkuaanokorkeuden säätövipu tulee ylöspuolelle. Puhdista kotelon pohjaan kerääntynyt ruohosilppu.
3. Kaada vettä laitteen pohjaa eli terän kiinnityskohdasta kohti.

HUOMAUTUS: Älä pese laitetta korkeapaineisella vesisuihkulla.

4. Tarkista kaikkien mutterien, pulltien, ruuvien yms. kireys.
5. Tarkista, etteivät liikkuvat osat ole vaurioituneet, murttuneet tai kulumien varalta. Vaurioituneet tai puuttuvat osat tulee korjata tai vaihtaa.

6. Varsinasti ruohonleikkuri turvalliseen paikkaan lasten ulottumattomiin.

DLM462/DLM532

HUOMAUTUS: Älä kaada vettä kuvassa näkyvälle alueelle. Veden kaataminen moottoriyksikköön voi johtaa koneen toimintahäiriöön.

► **Kuva35:** 1. Alue, jolle ei saa kaataa vettä

Ruohonleikkurin kantaminen

Ruohonleikkuria tulee kantaa niin, että toinen henkilö pitää kiinni etukahvasta ja toinen takakahvasta kuvan mukaisesti.

► **Kuva36:** 1. Etukahva 2. Takakahva

Säilytys

Säilytä ruohonleikkuria sisätiloissa viileässä, kuivassa ja lukitussa paikassa. Älä säilytä ruohonleikkuria ja laturia paikassa, jossa lämpötila voi nousta 40 °C:een tai sitä korkeammaksi.

Ruohonleikkuterän irrotus ja asentaminen

VAROITUS: Terä pyörii vielä muutaman sekunnin ajan kytkimen vapauttamisen jälkeen. Älä aloita mitään toimenpidettä, ennen kuin terä on täysin pysähtynyt.

VAROITUS: Irrota lukitusavain ja akku aina ennen terän irrottamista ja asentamista. Jos lukitusavainta ja akkupakettia ei irroteta, seurauksena voi olla vakavia vammoja.

VAROITUS: Käytä aina suojakäsineitä, kun käsittelet terää.

Ruohonleikkurin terän irrottaminen

Suoralla ruohonleikkurin terällä varustetut mallit

1. Käännä ruohonleikkuri kyljelleen siten, että leikkukorkeuden säätövipu tulee yläpuolelle.
2. Voit lukita terän työntämällä tapin ruohonleikkurin rungossa olevaan reikään.
3. Kierrä pulttia vastapäivään koon 17 hylsyavaimella.
► **Kuva37:** 1. Ruohonleikkurin terä 2. Tappi 3. Hylsyavain
4. Irrota pultti ja sitten ruohonleikkurin terä.
► **Kuva38:** 1. Terän tuki 2. Ruohonleikkurin terä 3. Pultti 4. Uloke

HUOMAUTUS: Kun asennat ruohonleikkurin terän, varmista, että terän tuen ulokkeet asettuvat ruohonleikkurin terän reikiin.

Mukautuvilla ruohonleikkurin terillä varustetut mallit

1. Käännä ruohonleikkuri kyljelleen siten, että leikkukorkeuden säätövipu tulee yläpuolelle.
2. Lukitse pohjalevy asettamalla tappi ruohonleikkurin rungossa olevaan reikään pohjalevyssä olevan reiän läpi.
3. Kierrä pulttia vastapäivään koon 17 hylsyavaimella.
► **Kuva39:** 1. Tappi 2. Pohjalevy 3. Hylsyavain
4. Irrota pultti ja sitten pohjalevy.
► **Kuva40:** 1. Terän tuki 2. Pohjalevy 3. Pultti 4. Uloke

HUOMAUTUS: Kun asennat ruohonleikkurin teriä, varmista, että terän tuen ulokkeet asettuvat pohjalevyn reikiin.

5. Irrota yksittäinen ruohonleikkurin terä kääntämällä pulttia vastapäivään koon 17 hylsyavaimella ja pitämällä samalla pohjalevyä paikallaan.
► **Kuva41:** 1. Pohjalevy 2. Ruohonleikkurin terä 3. Hylsyavain
6. Irrota järjestyksessä mutteri, aluslevy, jousialuslevy, ruohonleikkurin terä ja pultti.
► **Kuva42:** 1. Pultinreikä 2. Pultti 3. Ruohonleikkurin terä 4. Jousialuslevy 5. Aluslevy 6. Mutteri

HUOMAUTUS: Kiristä yksittäisten ruohonleikkurin terien mutterit 30 N·m:n kiristysmomenttiin.

HUOMAUTUS: Kun asennat yksittäistä ruohonleikkurin terää, varmista, että jousialuslevy tulee kuvan mukaisesti.

HUOMAUTUS: Kun asennat yksittäistä ruohonleikkurin terää, varmista, että asetat pultit pultinreikiin kuvan mukaisesti.

Ruohonleikkurin terän kiinnittäminen

VAROITUS: Asenna ruohonleikkurin terä huolellisesti. Siinä on ylä-/alapuoli.

VAROITUS: Kiinnitä sitten terä paikalleen kiristämällä pultti tiukasti myötäpäivään kiertäen.

VAROITUS: Varmista, että ruohonleikkurin terä ja kaikki kiinnitysosat on asennettu oikein ja kunnolla kiristetty.

VAROITUS: Kun vaihdat teriä, noudata aina tämän oppaan ohjeita.

HUOMAUTUS: Kun ruohonleikkurin terät on asennettu, poista tappi ruohonleikkurin rungosta.

Ruohonleikkurin terät asennetaan päinvastaisessa järjestyksessä kuin irrotusohjeissa.

VIANMÄÄRITYS

Tarkista kone ensin itse, ennen kuin viet sen korjattavaksi. Jos havaitset ongelman, johon ei löydy ratkaisua ohjeista, älä yritä purkaa konetta. Vie se sen sijaan valtuutettuun Makita-huoltoon. Käytä korjaamiseen aina alkuperäisiä Makita-varaosia.

Epänormaali tila	Todennäköinen syy (toimintahäiriö)	Korjaus
Ruohonleikkuri ei käynnisty.	Kahta akkupakettia ei ole asennettu.	Asenna kaksi ladattua akkua paikalleen.
	Akkuongelma (alijännite)	Lataa akkupaketti. Jos lataaminen ei toimi tehokkaasti, vaihda akkupakettia.
	Lukitusavain ei ole paikallaan.	Laita lukitusavain paikalleen.
	Akun valintakytkin ei ole oikeassa asennossa.	Valitse akun valintakytkimellä akkuiitäntä, johon akkupaketit on asennettu.
Moottori pysähtyy lyhyen käytön jälkeen.	Akun varaustila on alhainen.	Lataa akkupaketti. Jos lataaminen ei toimi tehokkaasti, vaihda akkupakettia.
	Leikkuukorkeus on liian alhainen.	Nosta leikkuukorkeutta.
	Ruohonleikkuriin on kertynyt leikattua ruohoa.	Poista kertynyt leikattu ruoho ruohonleikkurista.
Moottori ei saavuta suurinta kierroslukua.	Akkupaketti on asennettu väärin.	Asenna akkupaketti tämän käyttöohjeen ohjeiden mukaan.
	Akun teho laskee.	Lataa akkupaketti. Jos lataaminen ei toimi tehokkaasti, vaihda akkupakettia.
	Vetojärjestelmä ei toimi oikein.	Pyydä valtuutettua huoltoliikettäsi korjaamaan laite.
Ruohonleikkurin terä ei pyöri: ⇒ pysäytä ruohonleikkuri välittömästi!	Vieras esine, esimerkiksi oksa, on juuttunut lähelle terää.	Poista vieras esine.
	Vetojärjestelmä ei toimi oikein.	Pyydä valtuutettua huoltoliikettäsi korjaamaan laite.
Epänormaali tärinä: ⇒ pysäytä ruohonleikkuri välittömästi!	Terä on epätasapainossa, liiallisesti tai epätasaisesti kulunut.	Vaihda terä.

LISÄVARUSTEET

⚠HUOMIO: Seuraavia lisävarusteita tai -laitteita suositellaan käytettäväksi tässä ohjeessa kuvattun Makita-koneen kanssa. Muiden lisävarusteiden tai -laitteiden käyttö voi aiheuttaa henkilövahinkoja. Käytä lisävarusteita ja -laitteita vain niiden käyttötaroituksen mukaisesti.

Jos tarvitset apua tai yksityiskohtaisempia tietoja seuraavista lisävarusteista, ota yhteys paikalliseen Makitan huoltoon.

- Ruohonleikkurin terä
- Aito Makita-akku ja -laturi

HUOMAA: Jotkin luettelossa mainitut varusteet voivat sisältyä laitetoimitukseen vakiovarusteina. Ne voivat vaihdella maittain.

SPECIFIKĀCIJAS

Modelis:		DLM462	DLM530	DLM532
Pļaušanas platums (asmens diametrs)		460 mm	534 mm	
Ātrums bez slodzes		2 500 min ⁻¹	2 300 min ⁻¹	
Maksimālais ātrums		3 300 min ⁻¹	2 800 min ⁻¹	
Pļaujmašīnas asmens rezerves daļas numurs	Taisns pļaujmašīnas asmens	191D51-9	191D52-7	
	Atliektie pļaujmašīnas asmeņi *1	191D49-6	191D50-1	
	Atliektie pļaujmašīnas asmeņi *2	191D47-0	191D48-8	
Izmēri (G × P × A)		G: 1 610–1 690 mm P: 535 mm A: 980–1 095 mm	G: 1 630–1 715 mm P: 590 mm A: 990–1 095 mm	
Pārvietošanās ātrums		2,5–5,0 km/h	–	2,5–5,0 km/h
Nominālais spriegums		Līdzstrāva 36 V		
Neto svars	Ja uzstādīts taisnais pļaujmašīnas asmens	35,3 - 39,0 kg	35,5 - 39,3 kg	39,0–42,8 kg
	Ja uzstādīti atliektie pļaujmašīnas asmeņi	36,0–39,7 kg	36,2–40,0 kg	39,7–43,5 kg
Aizsardzības pakāpe		IPX4		

*1. Pamatnes plāksne un atsevišķie pļaujmašīnas asmeņi.

*2. Tikai atsevišķie pļaujmašīnas asmeņi.

- Nepārtrauktās izpētes un izstrādes programmas dēļ šeit uzrādītās specifikācijas var tikt mainītas bez brīdinājuma.
- Atkarībā no valsts specifikācijas var atšķirties.
- Svārs var būt atšķirīgs atkarībā no papildierīces (-ēm), tostarp akumulatora kasetnes. Tabulā ir attēlota vieglākā un smagākā kombinācija atbilstoši EPTA procedūrai 01/2014.

Piemērotā akumulatora kasetne

BL1815N / BL1820 / BL1820B / BL1830 / BL1830B / BL1840 / BL1840B / BL1850 / BL1850B / BL1860B

- Dažas no iepriekš norādītajām akumulatora kasetnēm var nebūt pieejamas atkarībā no jūsu mītnes reģiona.

BRĪDINĀJUMS: Izmantojiet vienīgi iepriekš norādītās akumulatora kasetnes. Cita tipa akumulatora kasetņu izmantošana var radīt traumu un/vai aizdegšanās risku.

Simboli

Zemāk ir attēloti simboli, kas attiecas uz iekārtu. Pirms darbarīka izmantošanas pārliecinieties, vai pareizi izprotat to nozīmi.



Esiet īpaši rūpīgs un uzmanīgs.



Izlasiet lietošanas rokasgrāmatu.



Bīstami! Sargieties no izviesiem priekšmetiem.



Attālumam starp darbarīku un apkārtējiem jābūt vismaz 15 m.



Netuviniet rokas un kājas asmeņiem zem pļaujmašīnas. Asmeņi turpina griezties arī pēc motora izslēgšanas.



Pirms pļaujmašīnas pārbaudes, regulēšanas, tīrīšanas, apkopes, atstāšanas bez uzraudzības un uzglabāšanas izņemiet bloķēšanas atslēgu.



Ar elektrību saistīts risks. Saskare ar ūdeni var izraisīt elektriskās strāvas triecienus.



Nelejiet virsū ūdeni.



Tikai ES valstīm
Nelzmetiet elektroiekārtas vai akumulatoru māsaimniecības atkritumos!
Saskaņā ar Eiropas direktīvu par elektrisko un elektronisko iekārtu atkritumiem, kā arī par baterijām un akumulatoriem, un bateriju un akumulatoru atkritumiem un to īstenošanu saskaņā ar valsts likumdošanu lietotais elektriskais aprīkojums, baterijas un akumulators kalpošanas laika beigās jāsavāc atsevišķi un jānogādā atbilstoši pārstrādei vidi saudzējošā veidā.

Paredzētā lietošana

Šī mašīna ir paredzēta zāles pļaušanai.

Trokšņa līmenis

Tipiskais A svērtais trokšņa līmenis noteikts saskaņā ar EN60335-2-77:

PIEZĪME: Rezultāti iegūti, veicot mērījumus plaujmašīnai ar uzstādītu taisnu plaujmašīnas asmeni.

Modelis DLM462

Skaņas spiediena līmeni (L_{pA}): 82,7 dB (A)

Skaņas jaudas līmeni (L_{WA}): 90,9 dB (A)

Mainīgums (K): 3 dB (A)

Modelis DLM530

Skaņas spiediena līmeni (L_{pA}): 78,1 dB (A)

Skaņas jaudas līmeni (L_{WA}): 90,4 dB (A)

Mainīgums (K): 3 dB (A)

Modelis DLM532

Skaņas spiediena līmeni (L_{pA}): 78,1 dB (A)

Skaņas jaudas līmeni (L_{WA}): 90,4 dB (A)

Mainīgums (K): 3 dB (A)

Darbības laikā trokšņa līmenis var pārsniegt 80 dB (A).

PIEZĪME: Paziņotā trokšņa emisijas vērtība noteikta atbilstoši standarta pārbaudes metodei, un to var izmantot, lai salīdzinātu vienu darbarīku ar citu.

PIEZĪME: Paziņoto trokšņa emisijas vērtību arī var izmantot iedarbības sākotnējā novērtējumā.

▲BRĪDINĀJUMS: Lietojiet ausu aizsargus.

▲BRĪDINĀJUMS: Trokšņa emisija patiesos darba apstākļos var atšķirties no paziņotās vērtības atkarībā no darbarīka izmantošanas veida un jo īpaši atkarībā no apstrādājamā materiāla veida.

▲BRĪDINĀJUMS: Lai aizsargātu lietotāju, nosakiet drošības pasākumus, kas pamatoti ar iedarbību reālos darba apstākļos (ņemot vērā visus ekspluatācijas cikla posmus, piemēram, laiku, kamēr darbarīks ir izslēgts un kad darbojas tukšgaitā, kā arī palaides laiku).

Vibrācija

Vibrācijas kopējā vērtība (trīsasu vektora summa) noteikta atbilstoši EN60335-2-77:

PIEZĪME: Rezultāti iegūti, veicot mērījumus plaujmašīnai ar uzstādītu taisnu plaujmašīnas asmeni.

Modelis DLM462

Vibrācijas izmete (a_h): 2,5 m/s² vai mazāk

Mainīgums (K): 1,5 m/s²

Modelis DLM530

Vibrācijas izmete (a_h): 2,5 m/s² vai mazāk

Mainīgums (K): 1,5 m/s²

Modelis DLM532

Vibrācijas izmete (a_h): 2,5 m/s² vai mazāk

Mainīgums (K): 1,5 m/s²

PIEZĪME: Paziņotā kopējā vibrācijas vērtība noteikta atbilstoši standarta pārbaudes metodei, un to var izmantot, lai salīdzinātu vienu darbarīku ar citu.

PIEZĪME: Paziņoto kopējo vibrācijas vērtību arī var izmantot iedarbības sākotnējā novērtējumā.

▲BRĪDINĀJUMS: Vibrācijas emisija patiesos darba apstākļos var atšķirties no paziņotās vērtības atkarībā no darbarīka izmantošanas veida un jo īpaši atkarībā no apstrādājamā materiāla veida.

▲BRĪDINĀJUMS: Lai aizsargātu lietotāju, nosakiet drošības pasākumus, kas pamatoti ar iedarbību reālos darba apstākļos (ņemot vērā visus ekspluatācijas cikla posmus, piemēram, laiku, kamēr darbarīks ir izslēgts un kad darbojas tukšgaitā, kā arī palaides laiku).

EK atbilstības deklarācija

Tikai Eiropas valstīm

EK atbilstības deklarācija šajā lietošanas rokasgrāmatā ir iekļauta kā A pielikums.

DROŠĪBAS BRĪDINĀJUMI

SVARĪGI DROŠĪBAS NOTEIKUMI

▲BRĪDINĀJUMS: Izlasiet visus drošības brīdinājumus un visus norādījumus. Brīdinājumu un norādījumu neievērošanas gadījumā var rasties elektriskās strāvas trieciens, ugunsgrēks un/vai nopietnas traumas.

Glabājiet visus brīdinājumus un norādījumus, lai varētu tajos ieskatīties turpmāk.

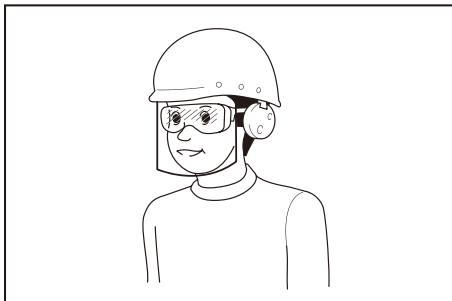
Apmācība

1. Uzmanīgi izlasiet norādījumus. Izprotiet plaujmašīnas vadības funkcijas un pareizas izmantošanas instrukcijas.
2. Nekādā gadījumā nepieļaujiet, ka zāles plaujmašīnu izmanto bērni vai cilvēki, kas nepazīna šos norādījumus plaujmašīnas izmantošanai. Vietējie noteikumi var ierobežot lietotāja vecumu.
3. Nekādā gadījumā nestrādājiet ar plaujmašīnu, ja tuvumā ir cilvēki (īpaši bērni) vai dzīvnieki.
4. Ņemiet vērā, ka operators vai lietotājs ir atbildīgs par negadījumiem vai apdraudējumu, kas radīts citiem cilvēkiem vai to īpašumam.
5. Bērni ir jāuzrauga, lai tie nerotāļotos ar plaujmašīnu.
6. Fiziskais stāvoklis — nedarbiniet plaujmašīnu, ja esat narkotiku, alkohola vai zāļu ietekmē.

Sagatavošanās

1. Izmantojot plaujmašīnu, vienmēr valkājiet izturīgus apavus un garās bikses. Nelietojiet plaujmašīnu, ja kājas ir basas vai valkājāt atvērtas sandales. Nevalkājiet apģērbu vai rotaslietas, kas ir vaļīgas vai kam ir auklas vai saites. Tās var iekļerties kustīgajās daļās.
2. Pirms lietošanas vienmēr pārbaudiet, vai plaujmašīnas aizsargi vai vairogi nav bojāti, pazuduši vai uzstādīti nepareizi.

3. Pirms pļaušanas pārbaudiet, vai darba zonā nav citu cilvēku. Apturiet pļaujmašīnu, ja kāds ienāk darba zonā.
4. Neievietojiet atslēgu pļaujmašīnā, ja tā nav gatava izmantošanai.
5. Kad izmantojat mehāniskos darbarīkus, vienmēr valkājiet aizsargbrilles, lai pasargātu acis. Aizsargbrillēm jāatbilst šādiem standartiem: ANSI Z87.1 ASV, EN 166 Eiropā un AS/NZS 1336 Austrālijā/Jaunzēlandē. Austrālijā/Jaunzēlandē ar likumu noteikts, ka darba laikā jāizmanto arī sejsargs.



Darba devējam ir jānodrošina tas, lai darbarīka operatori un citas tiešajā darba vietā esošās personas izmantotu vajadzīgo aizsargaprīkojumu.

6. Pirms ekspluatācijas rūpīgi pārbaudiet, vai asmeņiem vai asmeņu bultskrūvēm nav plaisu vai bojājumu. Ieplaisājušus vai bojātus asmeņus vai asmeņu bultskrūves nekavējoties nomainiet.
7. Pirms pļaušanas attīriet darba zonu no svešķermeņiem, piemēram, akmeņiem, stieplēm, pudelēm, kauliem un lieliem zariem, lai nevienu netraumētu un nesabojātu pļaujmašīnu.
8. Pļaujmašīnas asmens aizķertie priekšmeti var izraisīt smagas traumas. Pirms pļaušanas vienmēr rūpīgi pārbaudiet, vai zālienā nav svešķermeņu.
9. Uzmanieties no bedrēm, gumbām, uzkalniņiem, akmeņiem un grūti pamanāmiem priekšmetiem. Strādājot uz nelīdzenas virsmas, varat paslīdēt un nokrist, tādējādi gūstot traumas. Gara zāle var būt grūti pamanāmi šķēršļi.
10. Neievietojiet vai neizņemiet atslēgu lietus laikā.
11. Izmantojiet individuālos aizsardzības līdzekļus. Vienmēr lietojiet aizsargbrilles. Attiecīgos apstākļos lietojot aizsarglīdzekļus, piemēram, putekļu masku, aizsargapavus ar neslidošu zoli, aizsargķiveri un ausu aizsargus, mazināsies traumu risks.

Ekspluatācija

1. Nesniedzieties pārāk tālu. Vienmēr saglabājiet līdzsvaru. Strādājot nogāzē, rauģieties, lai kāju atbalsts būtu stabils. Pārvietojieties ejot, nekad neskrīeniet.
2. Apturiet pļaujmašīnu, izņemiet bloķēšanas atslēgu un pārliecinieties, ka visas kustīgās daļas ir pilnībā apstājušās:

- ja atstājat pļaujmašīnu bez uzraudzības;
 - pirms nosprostojumu tīrīšanas vai izlaides teknes tīrīšanas;
 - pirms pļaujmašīnas pārbaudīšanas, tīrīšanas vai remontēšanas;
 - pēc sadursmes ar kādu priekšmetu.
- Pārbaudiet, vai pļaujmašīnai nav bojājumu, un pirms pļaujmašīnas atkārtotas iedarbināšanas un lietošanas veiciet remontu,
- ja pļaujmašīna sāk neparasti vibrēt.
3. Nekādā gadījumā nelietojiet pļaujmašīnu, ja bojāti tās aizsargi vai vairogi vai ja nav uzstādītas drošības ierīces, piemēram, deflektori un/ vai zāles grozs.
 4. Neizmantojiet pļaujmašīnu slīktos laikapstākļos, jo īpaši laikā, kad iespējams zibens.
 5. Strādājot ar pļaujmašīnu, vienmēr izmantojiet acu aizsarglīdzekļus un valkājiet izturīgus apavus.
 6. Pļaujmašīnu izmantojiet tikai dienas gaismā vai labā mākslīgajā apgaismojumā.
 7. Pļaujmašīnu iedarbiniet uzmanīgi saskaņā ar norādījumiem un netuvinot pēdas asmenim(-ņiem).
 8. Uzmanieties, lai pļaujmašīnas asmens nesavainotu jūsu kājas un rokas.
 9. Vienmēr nodrošiniet, lai ventilācijas atverēs nebūtu netīrumu.
 10. Pļaujiet slīpi pāri nogāzei, nekad nepļaujiet uz augšu vai uz leju. Mainot virzienu nogāzēs, uzmanieties īpaši. Nepļaujiet pārāk stāvas nogāzes.
 11. Īpaši uzmanieties, strādājot atpakaļgaitā vai velkot pļaujmašīnu pie sevis.
 12. Apturiet asmeni(-ņus), ja pļaujmašīna ir jāsasver, pārvietojot vai šķērsojot virsmu, kas nav zāle, kā arī pārvietojot pļaujmašīnu uz pļaušanas vietu un no tās.
 13. Iedarbinot motoru, nesasveriet pļaujmašīnu, ja tikai tas nav jādara, lai tā sāktu darboties. Šādā gadījumā nesasveriet to vairāk, kā nepieciešams, un paceliet tikai to daļu, kas nav lietotāja tuvumā. Pirms pļaujmašīnas novietošanas atpakaļ uz zemes vienmēr pārliecinieties, ka abas rokas atrodas darba pozīcijā.
 14. Plaukostas vai pēdas nelieciet rotējošo detaļu tuvumā vai zem tām. Nekad nestāviet izvades atvēruma tuvumā.
 15. Netransportējiet pļaujmašīnu, ja tā ir ieslēgta.
 16. Nelietojiet pļaujmašīnu mitrā zālē.
 17. Rokturi vienmēr turiet cieši.
 18. Paceļot vai turot pļaujmašīnu, nesatveriet to aiz asmeņiem.
 19. Rokas un kājas netuviniet rotējošiem asmeņiem. Uzmanību! Asmeņi turpina griezties arī pēc pļaujmašīnas izslēgšanas.
 20. Ja ievērojat ko neparastu, nekavējoties pārtrauciet darbu. Izslēdziet pļaujmašīnu un izņemiet bloķēšanas atslēgu. Pēc tam pārbaudiet pļaujmašīnu.
 21. Ja pļaujmašīnai ir griešanas augstuma regulēšanas funkcija, nekad nemēģiniet regulēt griešanas augstumu, kamēr pļaujmašīna darbojas.

22. Pirms piebraucamo ceļu, taku, ceļu un ar granti klātu vietu šķērsošanas atļaidiet slēdža sviru un ļaujiet asmenim apstāties. Izņemiet arī atslēgu, ja atstājat plaujumašīnu, sniedzaties kaut ko pacelt vai cenšaties noņemt kādu šķērslī, kā arī citu apstākļu gadījumā, kas neļauj pilnībā koncentrēties veicamajam darbam.
23. Ja plaujumašīna trāpa kādam objektam, rīkojieties šādi:
 - Apturiet plaujumašīnu, atļaidiet slēdža sviru un uzgaidiet, līdz asmens pilnībā apstājas.
 - Izņemiet atslēgu un akumulatora kasetni.
 - Rūpīgi pārbaudiet, vai plaujumašīnai nav bojājumu.
 - Nomainiet asmeni, ja tas ir bojāts. Bojājumu novērsiet pirms plaujumašīnas atkārtotas iedarbināšanas un turpināšanas.
24. Neiedarbiniet plaujumašīnu, ja stāvat pretī izvades atvērūmam.
25. Ja plaujumašīna sāk neparasti vibrēt (nekavējoties pārbaudiet)
 - pārbaudiet, vai nav bojājumu;
 - nomainiet vai saremontējiet bojātas daļas;
 - pārbaudiet un pieskrūvējiet vaļiņas detaļas.
26. Nekad nevērsiet izvadīto materiālu pret citiem cilvēkiem. Materiālu nedrīkst izvadīt pret sienu vai kādu citu šķērslī. Materiāls pēc rikošeta var lidot operatora virzienā. Šķērsojot akmeņainas virsmas, apstādiniet asmeni.
27. Nevelciet plaujumašīnu atpakaļgaitā, ja tikai tas nav absolūti nepieciešams. Ja esat spiests vilkt plaujumašīnu atpakaļgaitā prom no žoga vai cita šķēršļa, vispirms un arī kustības laikā skatieties uz leju un aizmuguri.
28. Pirms zāles uztvērēja izņemšanas izslēdziet motoru un uzgaidiet, līdz asmens ir pilnībā apstājis. Ņemiet vērā, ka asmens pēc izslēgšanas turpina kustēties inerces dēļ.
29. Izmantojot ierīci dubļainā vietā, uz mitras sliņas virsmas vai slidenā vietā, raugieties, lai kājām būtu stabils atbalsts.
30. Centieties nestrādāt grūti apstrādājamā vidē, kur var ātri nogurt.
31. Neizmantojiet plaujumašīnu sliktos laikapstākļos, kad ir ierobežota redzamība. Pretējā gadījumā iespējams nokrišanas risks vai nepareiza ekspluatācija sliktas redzamības dēļ.
32. Negremdējiet ierīci peļķē.
33. Ja lietus dēļ pie sūkšanas atveres (ventilācijas atveres) pielīp slapjas lapas vai dubļi, noņemiet tos.
34. Neizmantojiet ierīci sniegā.
35. Ja nogriezta zāle ir mitra, tā, visticamāk, aizsprostos ierīces iekšpusi. Regulāri pārbaudiet ierīces stāvokli un, ja nepieciešams, noņemiet pielīpušo zāli.
36. Darbarīka izmantošanas laikā pievērsiet uzmanību caurulēm un vadiem.
37. Ar šo darbarīku neizmantojiet strāvas apgādi, kas pievienota ar vadu, piemēram, akumulatora adapteri vai pārnēsājamu barošanas bloku. Šāda veida strāvas apgādes ierīces strāvas vads var traucēt darbību, tādējādi izraisot traumas.

Apkope un glabāšana

1. Drošības nolūkā nomainiet nodilušas vai nolietotas daļas. Izmantojiet tikai oriģinālās rezerves daļas un piederumus.
2. Regulāri pārbaudiet plaujumašīnu un veiciet tās apkopi.
3. Kad plaujumašīnu neizmantojat, glabājiet to bērniem nepieejamā vietā.
4. Visus uzgriežņus, bultskrūves un skrūves uzturiet cieši pievilktus, lai aprikojums aizvien būtu drošā darba stāvoklī.
5. Regulāri pārbaudiet, vai zāles grozs nav nodilis vai nolietojies. Kad ierīci liekat glabāšanā, pārbaudiet, vai zāles grozs ir tukšs. Nodilušu zāles grozu drošības nolūkā nomainiet pret jaunu rūpnīcas rezerves grozu.
6. Izmantojiet tikai šajā rokasgrāmatā norādītos ražotāja oriģinālos asmeņus.
7. Uzmaniēties, regulējot plaujumašīnu, lai pirksti neiesprūstu starp ierīces kustīgajiem asmeņiem un fiksētajām daļām.
8. Bieži pārbaudiet, vai stiprinājuma skrūve pievilka pietiekami cieši.
9. Pirms novietošanas glabātavā ļaujiet plaujumašīnai atdzist.
10. Veicot asmeņu apkopi, ņemiet vērā, ka, lai gan barošanas avots ir izslēgts, asmeņus joprojām var pārvietot.
11. Nekad neizņemiet un neizjauciet drošības ierīces. Regulāri pārbaudiet, vai tās darbojas pareizi. Nekad neveiciet darbības, kas varētu traucēt drošības ierīces darbību vai samazināt aizsardzību, ko sniedz drošības ierīce.
12. Lietus laikā neatstājiet plaujumašīnu ārpus telpām bez uzraudzības.
13. Nemasgājiet ierīci ar augstspiediena ūdens strūklu.
14. Mazgājot ierīci, raugieties, lai akumulatora un atslēga ir izņemti un lai akumulatora vāks ir aizvērts, un ūdeni lejiet virzienā uz ierīces apakšpusi, kur ir pietiprināts asmens.
15. Novietojot ierīci glabāšanai, izvairieties no tiešiem saules stariem un lietus un novietojiet to vietā, kur nekļūst karsts vai mitrs.
16. Pārbaudes un apkopes darbus veiciet vietā, kur iespējams izvairīties no lietus.
17. Pēc plaujumašīnas lietošanas noīriet netīrumus, pilnībā nožāvējiet plaujumašīnu un tikai tad novietojiet to glabāšanā. Atkarībā no sezonas vai apgabala pastāv darbības traucējumu risks sasaldēšanas dēļ.

Bezvada darbarīka lietošana un apkope

1. Uzlādei izmantojiet tikai ražotāja norādītos lādētājus. Vienam akumulatoru tipam paredzēta uzlādētāja izmantošana cita tipa akumulatoru uzlādei var radīt aizdegšanās bīstamību.
2. Izmantojiet mehānizētos darbarīkus tikai ar paredzētajiem akumulatoriem. Jebkura cita tipa akumulatoru izmantošana var radīt traumu un aizdegšanās bīstamību.
3. Kamēr akumulators netiek izmantots, neturiet to blakus metāla priekšmetiem, piemēram, saspraudēm, monētām, atslēgām, naglām, skrūvēm un citiem nelieliem metāla priekšmetiem, kas var savienot izvadus. Akumulatora spaiļu īssavienojums var izraisīt apdegumus vai aizdegšanos.

4. Nepareizas lietošanas gadījumā no akumulatora var iztect šķidrums, nepieskarieties tam. Ja nejauši pieskārāties šķidrumam, noskalojiet skarto vietu ar ūdeni. Ja šķidrums nokļūst acīs, papildus iepriekš minētajam, vēršieties pie ārsta. No akumulatora iztecejušais šķidrums var izraisīt kairinājumu vai apdegumus.
5. Ja akumulatora bloks vai darbarīks ir bojāts vai pārveidots, nelietojiet to. Bojāti vai pārveidoti akumulatori var darboties nepareizi, izraisot aizdegšanos, sprādzienu vai traumu.
6. Akumulatora bloku un darbarīku nepakļaujiet uguns un pārmērīgi augstas temperatūras ietekmei. Ja akumulatora bloks vai darbarīks tiek pakļauts uguns vai par 130 °C augstākas temperatūras iedarbībai, var notikt sprādziens.
7. Izpildiet visus uzlādes norādījumus un neuzlādējiet akumulatora bloku ārpus norādījumos noteiktā temperatūras diapazona. Nepareiza uzlāde vai temperatūra, kas ir ārpus noteiktā diapazona, var sabojāt akumulatoru un palielināt aizdegšanās draudus.

Elektrodrošība un akumulatora drošība

1. Neatbrīvojieties no akumulatora(-iem), to(-s) dedzinot. Var rasties eksplozija. Skatiet attiecīgos valsts noteikumus, lai uzzinātu īpašus norādījumus izmešanai atkritumos.
2. Akumulatoru(-s) nedrīkst atvērt vai sabojāt. Iztecejušais elektrolīts ir kodīgs un var nodarīt kaitējumu acīm vai ādai. Norijot tas var būt toksisks.
3. Nelādējiet akumulatoru lietū vai mitrās vietās.
4. Nelādējiet akumulatoru ārpus telpām.
5. Neaiztieciēt lādētāju, kā arī lādētāja spraudni vai spaiļes ar slāpām rokām.
6. Neveiciet akumulatora nomaiņu lietū.
7. Nesamitriniet izvadu vai akumulatoru ar šķidrumu, piemēram, ūdeni, vai neiegremdējiet akumulatoru. Neatstājiet akumulatoru lietū, kā arī nelādējiet, neizmantojiet vai neglabājiet akumulatoru mitrā vai slapjā vietā. Ja izvads kļūst mitrs vai akumulatorā iekļūst šķidrums, akumulatorā var rasties īsslēgums un pastāv pārkaršanas, aizdegšanās vai sprādziena risks.
8. Pēc akumulatora izņemšanas no ierīces vai lādētāja raugieties, lai akumulatora vāks tiek piestiprināts pie akumulatora, un glabājiet to sausā vietā.
9. Nemainiet akumulatoru ar mitrām rokām.

Apkope

1. Uzticiet sava elektriskā darbarīka apkopi kvalificētam remontstrādniekam, izmantojiet tikai identiskas rezerves daļas. Tas garantēs to, ka elektriskā darbarīka drošības pakāpe nesamazināsies.
2. Nekādā gadījumā nelietojiet bojātus akumulatora blokus. Akumulatora bloka apkopi drīkst veikt tikai to ražotājs vai pilnvaroti apkopes centri.

SAGLABĀJIET ŠOS NORĀDĪJUMUS.

BRĪDINĀJUMS: NEPIEĻAUJIET to, ka labu iemaņu vai izstrādājuma labas pārzināšanas (darbarīku atkārtoti ekspluatējot) rezultātā vairs stingri neievērojāt šī izstrādājuma drošības noteikumus.

NEPAREIZI LIETOJOT darbarīku vai neievērojot šajā instrukciju rokasgrāmatā minētos drošības noteikumus, var tikt gūtas smagas traumas.

Svarīgi drošības norādījumi par akumulatora kasetni

1. Pirms akumulatora lietošanas izlasiet visus norādījumus un brīdinājumus, kuri attiecas uz (1) akumulatora lādētāju, (2) akumulatoru un (3) ierīci, kurā tiek izmantots akumulators.
 2. Neizjauciet akumulatoru.
 3. Ja akumulatora darbības laiks kļūva ievērojami īsāks, nekavējoties pārkauciet to izmantot. Citādi, tas var izraisīt pārkaršējumu, uzliesmojumu vai pat sprādzienu.
 4. Ja elektrolīts nonāk acīs, izskalojiet tās ar tīru ūdeni un nekavējoties griezieties pie ārsta. Tas var izraisīt redzes zaudēšanu.
 5. Neradiet īssavienojumu akumulatora kasetnē:
 - (1) Nepieskarieties spaiļem ar elektrību vadošiem materiāliem.
 - (2) Neuzglabājiet akumulatoru kasetni kopā ar citiem metāla priekšmetiem, tādēim kā naglas, monētas u. c.
 - (3) Nepakļaujiet akumulatora kasetni ūdens vai lietus iedarbībai.
- Akumulatora īssavienojums var radīt spēcīgu strāvas plūsmu, pārkaršanu, uzliesmojumu un pat sabojāt akumulatoru.
6. Neglabājiet darbarīku un akumulatora kasetni vietās, kur temperatūra var sasniegt vai pārsniegt 50 °C (122 °F).
 7. Nededziniet akumulatora kasetni, pat ja tā ir stipri bojāta vai pilnībā nolietota. Akumulatora kasetne uguni var eksplodēt.
 8. Uzmanietyies, lai neļautu akumulatoram nokrist un nepakļautu to sītienam.
 9. Neizmantojiet bojātu akumulatoru.
 10. Uz izmantotajiem litija jonu akumulatoriem attiecas likumdošanas prasības par bīstamiem izstrādājumiem. Komerciālā transportēšanā, ko veic, piemēram, trešās puses, transporta uzņēmumi, jāievēro uz iesaiņojuma un marķējuma norādītās īpašās prasības. Lai izstrādājumu sagatavotu nosūtīšanai, jāsasaziņās ar bīstamo materiālu speciālistu. Ievērojiet arī citus attiecināmos valsts normatīvus. Vaļējus kontaktus nosedziet ar līmlenti vai citādi pārklājiet, bet akumulatoru iesaiņojiet tā, lai sainī tas nevarētu izkustēties.
 11. Lai utilizētu akumulatora kasetni, izņemiet to no darbarīka un likvidējiet drošā vietā. Ievērojiet vietējos noteikumus par akumulatora likvidēšanu.
 12. Izmantojiet šos akumulatorus tikai ar izstrādājumiem, kurus norādījis Makita. Ievietojiet šos akumulatorus nesaderīgos izstrādājumos, var rasties ugunsgrēks, pārmērīgs karstums, tie var uzsprāgt vai no tiem var iztect elektrolīts.

13. Ja darbarīks netiks lietots ilgu laiku, no tā jāizņem akumulators.

SAGLABĀJIET ŠOS NORĀDĪJUMUS.

⚠UZMANĪBU: Lietojiet tikai oriģinālos Makita akumulatorus. Ja lietojat neoriģinālus Makita akumulatorus vai pārveidotus akumulatorus, tie var uzsprāgt un izraisīt aizdegšanos, traumas un materiālos zaudējumus. Tiks anulēta arī Makita darbarīka un lādētāja garantija.

Ieteikumi akumulatora kalpošanas laika pagarināšanai

1. Uzlādējiet akumulatora kasetni, pirms tā ir pilnībā izlādējusies. Vienmēr, kad ievērojat, ka darbarīka darba jauda zudusi, apturiet darbarīku un uzlādējiet akumulatora kasetni.
2. Nekad neuzlādējiet pilnībā uzlādētu akumulatora kasetni. Pārmērīga uzlāde saīsina akumulatora kalpošanas laiku.
3. Uzlādējiet akumulatora kasetni istabas temperatūrā 10 °C - 40 °C. Karstai akumulatora kasetnei pirms uzlādes ļaujiet atdzist.
4. Uzlādējiet litija jonu akumulatora kasetni, ja to ilgstoši nelietosit (vairāk nekā sešus mēnešus).

MONTĀŽA

⚠BRĪDINĀJUMS: Pirms darbošanās ap plaujmašīnu vienmēr pārbaudiet, vai bloķēšanas atslēga un akumulatora kasetne ir izņemta. Ja bloķēšanas atslēgu un akumulatora kasetni neizņem, tad, plaujmašīnai nejausi ieslēdzoties, var gūt smagas traumas.

⚠BRĪDINĀJUMS: Neieslēdziet plaujmašīnu, ja tā nav pilnībā salikta. Nejausi ieslēdzot daļēji saliktu plaujmašīnu, var gūt smagas traumas.

Roktura uzstādīšana

⚠IEVĒRĪBA! Uzstādot rokturus, vadus novietojiet tā, lai tie nevarētu iekerties starp rokturiem. Ja vads ir bojāts, plaujmašīnas slēdzis var nedarboties.

1. Savietojiet apakšējā roktura atveres ar atverēm plaujmašīnas korpusā un tad viegli pievelciet 4 bultskrūves.
▶ **Att.1:** 1. Apakšējais rokturis 2. Bultskrūve
2. 4 bultskrūves, kuras viegli pievilkāt 1. darbībā, pievelciet cieši, izmantojot galatslēgu 13.
3. Savietojiet atveri apakšējā rokturī ar atveri augšējā rokturī, ievietojiet bultskrūvi no iekšpuses un tad pievelciet uzgriezni no ārpusēs, izmantojot galatslēgu 13. Veiciet tādu pašu procedūru otrā pusē.
▶ **Att.2:** 1. Bultskrūve 2. Apakšējais rokturis 3. Uzgrieznis 4. Atvere 5. Augšējais rokturis

⚠UZMANĪBU: Turiet augšējo rokturi stingri, lai tas neizkrit no rokās. Citādi rokturis var nokrist un izraisīt traumu.

4. Pievienojiet turētājus pie roktura.

Savietojiet izvirkzījumus uz turētāja ar atverēm uz roktura, lai izvirkzījumi ievietotos atverēs. Novietojiet kabelus, kā redzams attēlā.

▶ **Att.3:** 1. Kabelis 2. Turētājs

Mulčēšanas spraudņa noņemšana

1. Atveriet aizmugurējo pārsegu.
▶ **Att.4:** 1. Aizmugurējais pārsegs
2. Turot sviru uz leju, noņemiet mulčēšanas spraudni.
▶ **Att.5:** 1. Svira 2. Mulčēšanas spraudnis

Zāles groza uzstādīšana vai noņemšana

Lai uzstādītu zāles grozu, rīkojieties, kā norādīts tālāk.

1. Atveriet aizmugurējo pārsegu.
▶ **Att.6:** 1. Aizmugurējais pārsegs
2. Turiet zāles groza rokturi un uzākējiet zāles grozu uz plaujmašīnas korpusa stieņa, kā redzams attēlā.
▶ **Att.7:** 1. Stienis 2. Rokturis 3. Zāles grozs

Lai noņemtu zāles grozu, atveriet aizmugurējo pārsegu un, turot aiz roktura, noņemiet zāles grozu.

Mulčēšanas spraudņa piestiprināšana

1. Atveriet aizmugurējo pārsegu un izņemiet zāles grozu.
▶ **Att.8:** 1. Aizmugurējais pārsegs 2. Zāles grozs
2. Piestipriniet mulčēšanas spraudni, turot nospiestu sviru, un tad atlaidiet sviru, lai mulčēšanas spraudni nofiksētu.
▶ **Att.9:** 1. Svira 2. Mulčēšanas spraudnis

Iztukšošanas palīgierīces piestiprināšana

Ierīcēm DLM530/DLM532

1. Atveriet aizmugurējo pārsegu un izņemiet zāles grozu.
▶ **Att.10:** 1. Aizmugurējais pārsegs 2. Zāles grozs
2. Piestipriniet mulčēšanas spraudni, turot nospiestu sviru, un tad atlaidiet sviru, lai mulčēšanas spraudni nofiksētu.
▶ **Att.11:** 1. Svira 2. Mulčēšanas spraudnis
3. Atveriet labās puses pārsegu un piestipriniet iztukšošanas palīgierīci.
Ievietojiet iztukšošanas palīgierīces āķus zem labās puses pārsega stieņa.
▶ **Att.12:** 1. Labās puses pārsegs 2. Iztukšošanas palīgierīce

Akumulatora kasetnes uzstādīšana un izņemšana

⚠UZMANĪBU: Pirms akumulatora kasetnes uzstādīšanas vai izņemšanas vienmēr izslēdziet ierīci.

⚠UZMANĪBU: Uzstādot vai izņemot akumulatora kasetni, cieši satveriet darbarīku un akumulatora kasetni. Ja darbarīks un akumulatora kasetne netiek turēti cieši, tie var izkrist no rokām, tādējādi radot akumulatora kasetnes bojājumus vai izraisot traumas.

⚠UZMANĪBU: Pirms lietošanas pārbaudiet, vai akumulatora vāks ir bloķēts. Citādi dubļi, netīrumi vai ūdens var izraisīt izstrādājuma vai akumulatora kasetnes bojājumus.

⚠UZMANĪBU: Vienmēr ievietojiet akumulatora kasetni līdz galam, lai nav redzams sarkanas krāsas indikators. Citādi akumulators var nejauši izkrist no darbarīka un radīt jums vai apkārtējiem traumas.

⚠UZMANĪBU: Neievietojiet akumulatora kasetni ar spēku. Ja kasetne neslīd ietvarā viegli, tā nav pareizi ielikta.

PIEZĪME: Darbarīks nedarbojas tikai ar vienu akumulatora kasetni.

Darbības akumulatora kasetnes uzstādīšanai

1. Pavelciet bloķēšanas sviru un tad atveriet akumulatora vāku.

▶ **Att.13:** 1. Akumulatora vāks 2. Bloķēšanas svira

2. Savietojiet akumulatora kasetnes mēlīti ar atveri uz darbarīka un bīdiet kasetni, līdz tā ar nelielu klikšķi nofiksējas vietā.

▶ **Att.14:** (1) Akumulatora ligzda 1 (2) Akumulatora ligzda 2 (3) Akumulatora kasetne

PIEZĪME: Ievietojiet vismaz 2 akumulatora kasetnes akumulatora ligzdā 1 vai akumulatora ligzdā 2.

3. Bloķēšanas atslēgu ievietojiet attēlā redzamajā vietā līdz galam.

▶ **Att.15:** 1. Bloķēšanas atslēga

4. Aizveriet akumulatora vāku un bīdiet, līdz to nofiksē fiksācijas svira.

Akumulatora kasetnes izņemšana

1. Pavelciet bloķēšanas sviru uz augšu un atveriet akumulatora pārsegu.

2. Izvelciet akumulatora kasetni no darbarīka, vienlaikus bīdot pogu kasetnes priekšpusē.

3. Izvelciet bloķēšanas atslēgu.

4. Aizveriet akumulatora vāku.

Akumulatora kasetnes pārlēgšana

▶ **Att.16:** 1. Akumulatoru atlasē slēdzis

Darbarīks darbam vienlaicīgi izmanto 2 akumulatora kasetnes. Darbarīkā var ievietot līdz 4 akumulatora kasetnēm. Pirms darbarīka lietošanas atlasiet akumulatora ligzdu 1 vai akumulatora ligzdu 2, pagriežot akumulatoru atlasē slēdzi.

PIEZĪME: Ja darbarīkā ir ievietotas tikai 2 akumulatora kasetnes, noteikti ar akumulatoru atlasē slēdzi atlasiet to akumulatora ligzdu, kurā ir ievietotas akumulatora kasetnes.

Sistēma

Darbarīks ir aprīkots ar darbarīka/akumulatora aizsardzības sistēmu. Šī sistēma automātiski izslēdz motora barošanu, tādējādi pagarinot darbarīka un akumulatora darbmūžu. Lietošanas laikā darbarīks automātiski pārstās darboties, ja darbarīks vai akumulators atradīsies kādā no tālāk norādītajiem apstākļiem.

Aizsardzība pret pārslodzi

Ja akumulatoram ekspluatācijas laikā jānodrošina pārmērīgi liela strāva, darbarīks automātiski pārstāj darboties, un galvenais jaudas indikators mirgo zaļā krāsā. Šādā gadījumā izslēdziet darbarīku un pārtrauciet darbību, kas izraisīja pārslodzi. Pēc tam ieslēdziet darbarīku, lai atsāktu darbu.

Aizsardzība pret pārkaršanu

Ja darbarīks vai akumulators ir pārkaris, darbarīks automātiski pārstāj darboties, un galvenais jaudas indikators deg sarkanā krāsā. Šādā gadījumā ļaujiet darbarīkam un akumulatoram atdzist un tikai pēc tam atkal ieslēdziet darbarīku.

Aizsardzība pret akumulatora pārmērīgu izlādi













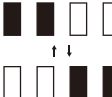
Ja atlikusī akumulatora jauda nav pietiekama, darbarīks automātiski pārstāj darboties, un galvenais jaudas indikators mirgo sarkanā krāsā. Šādā gadījumā izņemiet akumulatoru no darbarīka un uzlādējiet akumulatora kasetnes vai nomainiet akumulatora kasetnes ar pilnībā uzlādētām.

Atlikušās akumulatora jaudas indikators

Tikai akumulatora kasetnēm ar indikatoru

▶ **Att.17:** 1. Indikatora lampas 2. Pārbaudes poga

Nospiediet akumulatora kasetnes pārbaudes pogu, lai pārbaudītu akumulatora atlikušo uzlādes līmeni. Indikatorī iedegsies uz dažām sekundēm.

Indikatora lampas			Atlikusī jauda
 Iededzies	 Izslēgts	 Mirgo	
			No 75% līdz 100%
			No 50% līdz 75%
			No 25% līdz 50%
			No 0% līdz 25%
			Uzlādējiet akumulatoru.
			Iespējama akumulatora kļūme.

PIEZĪME: Reālā jauda var nedaudz atšķirties no norādītās atkarībā no lietošanas apstākļiem un apkārtējās temperatūras.

Vadības bloks

Vadības blokā atrodas galvenais barošanas slēdzis, režīmu pārslēgšanas poga un atlikušās akumulatora jaudas indikators.

► **Att.18:** 1. Akumulatora indikators 2. Režīmu pārslēgšanas indikators 3. Galvenais jaudas indikators 4. Pārbaudes poga 5. Režīmu pārslēgšanas poga 6. Galvenais ieslēgšanas slēdzis

Galvenais barošanas slēdzis

▲BRĪDINĀJUMS: Vienmēr, kad darbarīku neliejojat, izslēdziet galveno elektropadeves slēdzi.

Lai ieslēgtu ierīci, nospiediet galveno barošanas slēdzi. Galvenais jaudas indikators iedegas zaļā krāsā. Lai izslēgtu ierīci, vēlreiz nospiediet galveno barošanas slēdzi.

PIEZĪME: Ja galvenais jaudas indikators iedegas sarkanā krāsā vai sāk mirgot sarkanā vai zaļā krāsā, skatiet norādes par darbarīka/akumulatora aizsardzības sistēmu.









PIEZĪME: Šim darbarīkam ir automātiska izslēgšanas funkcija. Lai novērstu nejaušu iedarbināšanu, galvenais barošanas slēdzis automātiski izslēdzas, ja noteiktā laikposmā pēc galvenā barošanas slēdža ieslēgšanas slēdža svira un piedziņas svira (ja tā uzstādīta) netiek pavilkta.

Režīmu pārslēgšanas poga

Darba režīmu iespējams pārslēgt, nospiežot režīmu pārslēgšanas pogu. Kad darbarīks tiek ieslēgts, tas darbu sāk standarta režīmā. Kad nospiežat režīmu pārslēgšanas pogu, darbarīks pārslēdzas trokšņa samazināšanas režīmā, un režīmu pārslēgšanas indikators iedegas zaļā krāsā. Trokšņa samazināšanas režīmā varat samazināt plaušanas laikā radīto troksni. Kad nospiežat režīmu pārslēgšanas pogu vēlreiz, darbarīks pārslēdzas standarta režīmā.

Atlikušās akumulatora jaudas indikators

Nospiediet pārbaudes pogu, lai pārbaudītu akumulatora atlikušo jaudu. Akumulatora indikatori atbilst katram akumulatoram.

Akumulatora indikatora stāvoklis		Atlikusī akumulatora jauda
 Ieslēgts	 Izslēgts	
		50% - 100%
		20% - 50%
		0% - 20%

PIEZĪME: Atlikušās akumulatora jaudas indikatoru lampiņas ir tikai atsaucei. Akumulatora faktiskā jauda var atšķirties atkarībā no lietošanas apstākļiem.

PIEZĪME: Pirms pārbaudes pogas nospiešanas, lai pārbaudītu akumulatora atlikušo jaudu, apturiet darbarīku.

Slēdža darbība

▲BRĪDINĀJUMS: Pirms akumulatora kasetnes uzstādīšanas vienmēr pārbaudiet, vai slēdža svira darbojas pareizi un pēc atlaišanas atgriežas sākotnējā stāvoklī. Lietojot darbarīku, kura slēdzis nedarbojas pareizi, tas var kļūt nevadāms un radīt nopietnas traumas.

PIEZĪME: Plaujmašīna nesāk darboties bez slēdža pogas nospiešanas pat tad, ja ir pārbīdīta slēdža svira.

PIEZĪME: Mēģinot plaut garu, mitru zāli, pārslodzes dēļ plaujmašīnu var neizdoties iedarbināt. Šādā gadījumā palieliniet plaušanas augstumu.

Šī plaujmašīna ir aprīkota ar bloķēšanas atslēgu un roktura slēdzi. Ja pamanāt, ka bloķēšanas atslēga vai slēdzis darbojas neparasti, nekavējoties pārtrauciet ekspluatāciju un uzticiet veikt to pārbaudi tuvākajā Makita pilnvarotā servisa centrā.

Ierīcēm DLM462/DLM532

1. Ievietojiet akumulatoru kasetnes. Ievietojiet bloķēšanas atslēgu un tad aizveriet akumulatora vāku.
 2. Atlasiet ekspluatācijai izmantotās akumulatora kasetnes, pagriežot akumulatora atlases slēdzi.
 3. Nospiediet galveno barošanas slēdzi.
 4. Pavelciet slēdža sviru pret sevi, vienlaicīgi turot nospiestu slēdža pogu. Atlaidiet slēdža pogu, tiklīdz motors ir iedarbināts.
- **Att.19:** 1. Slēdža poga 2. Slēdža svira

PIEZĪME: Ja atslēga nav ievietota, tad, piespiežot slēdža mēlīti, jaudas indikators mirgo zaļā krāsā.

5. Turot nospiestu slēdža sviru, spiediet piedziņas sviru uz priekšu un turiet, lai nodrošinātu piedziņu aizmugures riteņiem.
- **Att.20:** 1. Piedziņas svira

PIEZĪME: Piedziņu aizmugures riteņiem var nodrošināt, turot piedziņas sviru nospiestu uz priekšu, bet nevelkot slēdža sviru.

6. Atlaidiet piedziņas sviru un slēdža sviru, lai apturētu darbarīku.

Ierīcei DLM530

1. Ievietojiet akumulatoru kasetnes. Ievietojiet bloķēšanas atslēgu un tad aizveriet akumulatora vāku.
 2. Atlasiet ekspluatācijai izmantotās akumulatora kasetnes, pagriežot akumulatora atlases slēdzi.
 3. Nospiediet galveno barošanas slēdzi.
 4. Pavelciet slēdža sviru pret sevi, vienlaicīgi turot nospiestu slēdža pogu. Atlaidiet slēdža pogu, tiklīdz motors ir iedarbināts.
- **Att.21:** 1. Slēdža poga 2. Slēdža svira

PIEZĪME: Ja atslēga nav ievietota, tad, piespiežot slēdža mēlīti, jaudas indikators mirgo zaļā krāsā.

5. Lai apturētu motoru, atlaidiet slēdža sviru.

Plaušanas augstuma regulēšana

▲BRĪDINĀJUMS: Nekad nelieciet rokas un kājas zem plaujmašīnas, kad regulējat plaušanas augstumu.

▲BRĪDINĀJUMS: Pirms lietošanas vienmēr pārbaudiet, vai svira pilnībā nofiksējusies rievā.

Plaušanas augstumu var regulēt diapazonā no 20 mm līdz 100 mm.

Izņemiet atslēgu un tad velciet plaušanas augstuma regulēšanas sviru uz āru no plaujmašīnas korpusa, tad novietojiet to vēlamajā plaušanas augstumā.

► **Att.22:** 1. Plaušanas augstuma regulēšanas svira

Tabulā tālāk ir redzama attiecība starp skaitli, kas norādīts uz plaujmašīnas korpusa, un aptuveno plaušanas augstumu.

Skaitlis	Plaušanas augstums
1	20 mm
2	26 mm
3	32 mm
4	39 mm
5	47 mm
6	55 mm
7	63 mm
8	74 mm
9	86 mm
10	100 mm

Ar vienu roku turiet priekšējo rokturi vai apakšējo rokturi un ar otru roku pārvietojiet plaušanas augstuma regulēšanas sviru.

► **Att.23:** 1. Plaušanas augstuma regulēšanas svira 2. Apakšējais rokturis 3. Priekšējais rokturis

PIEZĪME: Plaušanas augstumu norādošie skaitļi jāuzskata tikai par informatīviem. Mauriņa vai grunts stāvokļa dēļ faktiskais zāliena augstums var nedaudz atšķirties no iestatītā augstuma.

PIEZĪME: Lai noregulētu nepieciešamo augstumu, zāles plaušanu izmēģiniet mazāk redzamā vietā.

Zāles līmeņa indikators

Zāles līmeņa indikators norāda nopļautās zāles daudzumu. Ja zāles grozs nav pilns, indikators asmeņu kustības laikā pārvietojas.

► **Att.24:** 1. Zāles līmeņa indikators

Ja zāles grozs ir gandrīz pilns, indikators asmeņu kustības laikā nepārvietojas. Šādā gadījumā nekavējoties pārtrauciet darbu un iztukšojiet grozu.

► **Att.25:** 1. Zāles līmeņa indikators

PIEZĪME: Šā indikatora rādījums ir aptuvens. Groza iekšpuses stāvokļa dēļ indikators var nedarboties pareizi.

Rokturu augstuma regulēšana

▲UZMANĪBU: Pirms bultskrūvju izņemšanas, stingri satveriet augšējo rokturi. Citādi rokturis var nokrist un izraisīt traumu.

Rokturu augstumu var regulēt divos līmeņos.

1. Izskrūvējiet apakšējā roktura augšējās bultskrūves ar galatslēgu 13, tad atskrūvējiet vaļņgāk apakšējās bultskrūves.

► **Att.26:** 1. Augšējā bultskrūve 2. Apakšējā bultskrūve

2. Noregulējiet roktura augstumu un tad cieši pievelciet augšējās un apakšējās bultskrūves.

Pārvietošanās ātruma regulēšana

Ierīcēm DLM462/DLM532

► **Att.27:** 1. Ātruma svira

Pārvietošanās ātrumu var regulēt ar ātruma sviru. Lai samazinātu ātrumu, velciet sviru uz savu pusi; lai palielinātu ātrumu, grieziet sviru uz priekšu.

Mulčēšanas spraudņa lietošana

Mulčēšanas spraudnis ļauj atgriezt nopļauto zāli zemē, nesavācot to zāles grozā. Darbinot darbarīku, kuram ir uzstādīts mulčēšanas spraudnis, noteikti noņemiet zāles grozu.

IEVĒRĪBA! Lietojot ierīci, kurai ir uzstādīts mulčēšanas spraudnis, pārliecinieties, ka zāles garums ir vismaz 30 mm vai arī nogrieztās zāles garums ir 15 mm un mazāks.

► **Att.28:** (1) 30 mm un vairāk (2) 15 mm un mazāk

Iztukšošanas palīgierīces lietošana

Ierīcēm DLM530/DLM532

Iztukšošanas palīgierīce ļauj nopļauto zāli nomest uz zemes no darbarīka labās puses, nesavācot to zāles grozā. Darbinot darbarīku, kam ir iztukšošanas palīgierīce, noteikti uzstādiet mulčēšanas spraudni un noņemiet zāles grozu.

Elektronika

Lai atvieglotu lietošanu, ierīce ir aprīkota ar elektroniskām funkcijām.

- Asmens rotācijas nemainīga ātruma uzturēšana Elektroniskā ātruma vadība nemainīga ātruma nodrošināšanai. Nodrošina iespēju iegūt ļoti apstrādātu virsmu, jo agriezienu ātrums tiek saglabāts nemainīgs pat lielas slodzes apstākļos.
- Braukšanas laidenā uzsākšana Laidenas ieslēgšanas funkcija mazina iedarbināšanas triecienu, un ierīce uzsāk darbību vienmērīgi.
- Elektrobremze Šis darbarīks ir aprīkots ar elektrobremzi. Ja pastāvīgi notiek tā, ka darbarīka plaujmašīnas asmeņi pēc slēdža sviras atlaišanas ātri netiek apturēti, nododiet darbarīku remonta veikšanai Makita pilnvarotā servisa centrā.

EKSPLUATĀCIJA

Plāušana

▲BRĪDINĀJUMS: Pirms pļaušanas no pļaušanas vietas aizvāciet žaģarus un akmeņus. Pļaušanas vietu attīriet arī no nezālēm.

▲BRĪDINĀJUMS: Lietojot pļaujmašīnu, vienmēr valkājiet aizsargbrilles vai brilles ar sānu aizsargiem.

▲UZMANĪBU: Ja nopļautā zāle vai svešķermeņi nobloķē pļaujmašīnas korpusa iekšpusi, izņemiet atslēgu un akumulatora kasetni, un noteikti uzvelciet cimdus, pirms noņemat zāli vai svešķermeņus.

IEVĒRĪBAI: Lietojiet šo ierīci tikai zāles pļaušanai. Nepļaujiet ar šo ierīci nezāles.

► Att.29

Pļaušanas laikā cieši ar abām rokām turiet rokturi. Pļaušanas standarta ātrums ir aptuveni 7–14 metri 10 sekundēs.

► Att.30

Priekšējo riteņu centra līnijas ir pļaušanas platuma vadlīnijas. Izmantojot centra līnijas kā vadlīnijas, pļaujiet joslās. Lai zālienu nopļautu līdzeni, pļaušanas joslai par vienu pusi vai trešdaļu jāpārklājas ar iepriekšējo joslu.

► Att.31: 1. Pļaušanas platums 2. Pārklāšanās zona 3. Centra līnija

Pļaušanas virzienu katru reizi mainiet, lai zāles pļāvuma raksts neveidotos tikai vienā virzienā.

► Att.32

Periodiski pārbaudiet zāles groza saturu. Iztukšojiet grozu, pirms tas ir pilns. Pirms regulārās pārbaudes apturiet pļaujmašīnu, tad izņemiet bloķēšanas atslēgu un akumulatora kasetni.

IEVĒRĪBAI: Izmantojot pļaujmašīnu ar pilnu zāles grozu, asmeņi nevarēs brīvi griezties un motoram radīsies papildu slodze, kas var izraisīt bojājumus.

Pļaujot zālienu ar garu zāli

Nemēģiniet uzreiz nopļaut garu zāli. Tā vietā pļaujiet zālienu pakāpeniski. Starp pļaušanas reizēm uzgaidiet vienu vai divas dienas, līdz zāle visur ir vienādi tsa.

► Att.33

PIEZĪME: Ja garu zāli vienā reizē nopļauj pavisam īsu, tā var iznīkt. Nopļautā zāle var iesprūst pļaujmašīnas korpusā.

Zāles groza iztukšošana

▲BRĪDINĀJUMS: Lai nepieļautu negadījumus, regulāri pārbaudiet, vai zāles grozs nav bojāts vai nodilis. Ja nepieciešams, nomainiet zāles grozu.

1. Atļaidiet slēdža sviru un piedziņas sviru (ierīcēm DLM462/DLM532) vai atļaidiet slēdža sviru (ierīcei DLM530).
2. Izņemiet bloķēšanas atslēgu.
3. Atveriet aizmugurējo pārsegu un aiz roktura izņemiet zāles grozu.
► Att.34: 1. Aizmugurējais pārsegs 2. Rokturis 3. Zāles grozs
4. Iztukšojiet zāles grozu.

TEHNISKĀ APKOPE

▲BRĪDINĀJUMS: Vienmēr no pļaujmašīnas izņemiet atslēgu un akumulatora kasetni pirms pļaujmašīnas glabāšanas vai nešanas, vai pirms veicat pārbaudes vai apkopes darbus.

▲BRĪDINĀJUMS: Ja pļaujmašīnu nelietojat, vienmēr izņemiet bloķēšanas atslēgu. Bloķēšanas atslēgu glabājiet drošā, bērniem neaizsniedzamā vietā.

▲BRĪDINĀJUMS: Veicot pārbaudi vai apkopi, valkājiet cimdus.

▲BRĪDINĀJUMS: Veicot pļaujmašīnas apkopes vai pārbaudes darbus, vienmēr valkājiet aizsargbrilles vai brilles ar sānu aizsargiem.

IEVĒRĪBAI: Nekad neizmantojiet gazoļīnu, benzīnu, atšķaidītāju, spirtu vai līdzīgus šķidrumus. Tas var radīt izbalēšanu, deformāciju vai plaisas.

Lai saglabātu izstrādājuma DROŠU un UZTICAMU darbību, remontdarbus, apkopi un regulēšanu uzticiet veikt tikai Makita pilnvarotam vai rūpnīcas apkopes centram, un vienmēr izmantojiet tikai Makita rezerves daļas.

Apkope

1. Izņemiet atslēgu un akumulatora kasetnes, pēc tam aizveriet akumulatora vāku.
2. Pļaujmašīnu novietojiet uz sāniem tā, lai pļaušanas augstuma regulēšanas svira atrastos augšpusē. Noīriet zāles atgriezumus, kas sakrājušies pļaujmašīnas apakšā.
3. Ūdeni lejiet virzienā uz ierīces apakšpusi, kur piestiprināts asmens.
4. Pārbaudiet, vai visi uzgriežņi, bultskrūves, skrūves u. c. ir pievilkti cieši.
5. Pārbaudiet, vai kustīgās daļas nav bojātas, salūzušas vai nodilušas. Bojātās vai trūkstošās daļas jāremontē vai jāaizvieto.
6. Glabājiet pļaujmašīnu drošā, bērniem nepieejamā vietā.

Ierīcēm DLM462/DLM532

IEVĒRĪBAI: Neļiejiet ūdeni vietā, kas parādīta attēlā. Ja uz motora bloka uzlīst ūdens, ir iespējami darbarīka darbības traucējumi.

► Att.35: 1. Vieta, kur ūdens nedrīkst uzlīst

Plaujmašinas pārnēsāšana

Nesot plaujmašīnu, diviem cilvēkiem jāsatver priekšējais un aizmugures rokturis, kā redzams attēlā.

► **Att.36:** 1. Priekšējais rokturis 2. Aizmugures rokturis

Glabāšana

Glabājiet plaujmašīnu iekšstelpās vēsā, sausā un slēgtā vietā. Neglabājiet plaujmašīnu un lādētāju vietās, kur temperatūra var sasniegt vai pārsniegt 40 °C.

Plaujmašinas asmens noņemšana vai uzstādīšana

▲BRĪDINĀJUMS: Asmens pēc slēdža atlaišanas turpina kustēties pēc inerces. Neveiciet nekādas darbības, kamēr asmens nav pilnībā apstājies.

▲BRĪDINĀJUMS: Uzstādot vai noņemot asmeni, vienmēr izņemiet bloķēšanas atslēgu un akumulatora kasetni. Neizņemot bloķēšanas atslēgu un akumulatora kasetni, var gūt smagas traumas.

▲BRĪDINĀJUMS: Rīkojoties ar asmeni, vienmēr valkājiet cimdus.

Plaujmašinas asmens noņemšana

Modeļiem, kas aprīkoti ar taisnu plaujmašinas asmeni

1. Plaujmašīnu novietojiet uz sāniem tā, lai plaušanas augstuma regulēšanas svira atrastos augšpusē.
2. Lai bloķētu asmeni, plaujmašinas korpusa atverē ievietojiet tapu.
3. Ar galatslēgu 17 grieziet bultskrūvi pretēji pulksteņrādītāju kustības virzienam.
► **Att.37:** 1. Plaujmašinas asmens 2. Tapu 3. Galatslēga
4. Izskrūvējiet bultskrūvi un tad noņemiet plaujmašinas asmeni.
► **Att.38:** 1. Asmens stiprinājums 2. Plaujmašinas asmens 3. Bultskrūve 4. Izvirzījums

IEVĒRĪBAI: Uzstādot plaujmašinas asmeni, pārliecinieties, ka izvirzījumi uz asmens stiprinājuma ievietojas atverēs uz plaujmašinas asmens.

Modeļiem, kas aprīkoti ar atliektajiem plaujmašinas asmeņiem

1. Plaujmašīnu novietojiet uz sāniem tā, lai plaušanas augstuma regulēšanas svira atrastos augšpusē.
2. Lai bloķētu pamatnes plāksni, cauri atverei pamatnes plāksnē ievietojiet tapu atverē uz plaujmašinas korpusa.
3. Ar galatslēgu 17 grieziet bultskrūvi pretēji pulksteņrādītāju kustības virzienam.
► **Att.39:** 1. Tapu 2. Pamatnes plāksne 3. Galatslēga

4. Izskrūvējiet bultskrūvi un tad noņemiet pamatnes plāksni.

► **Att.40:** 1. Asmens stiprinājums 2. Pamatnes plāksne 3. Skrūve 4. Izvirzījums

IEVĒRĪBAI: Uzstādot plaujmašinas asmeņus, pārliecinieties, ka izvirzījumi uz asmens stiprinājuma ievietojas atverēs pamatnes plāksnē.

5. Lai izņemtu atsevišķo plaujmašinas asmeni, turiet pamata plāksni un vienlaikus skrūvējiet bultskrūvi pretēji pulksteņrādītāju kustības virzienam ar galatslēgu 17.

► **Att.41:** 1. Pamatnes plāksne 2. Plaujmašinas asmens 3. Galatslēga

6. Noņemiet uzgriezni, paplāksni, atsperepaplāksni, plaujmašinas asmeni un bultskrūvi, ievērojot norādīto secību.

► **Att.42:** 1. Bultskrūves atvere 2. Bultskrūve 3. Plaujmašinas asmens 4. Atsperepaplāksne 5. Paplāksne 6. Uzgrieznis

IEVĒRĪBAI: Uzgriežņu pievilksnā, kad uzstādāt atsevišķos plaujmašinas asmeņus, piemērojiet 30 N•m pievilksnā spēku.

IEVĒRĪBAI: Uzstādot atsevišķo plaujmašinas asmeni, noteikti uzstādiet atsperepaplāksni tādā virzienā, kā norādīts attēlā.

IEVĒRĪBAI: Uzstādot atsevišķo plaujmašinas asmeni, noteikti ievietojiet bultskrūves to atverēs tā, kā redzams attēlā.

Plaujmašinas asmens uzstādīšana

▲BRĪDINĀJUMS: Uzmanīgi uzstādiet plaujmašinas asmeni. Tam ir augšējā/apakšējā virsma.

▲BRĪDINĀJUMS: Cieši pievelciet bultskrūvi pulksteņrādītāju kustības virzienā, lai nostiprinātu asmeni.

▲BRĪDINĀJUMS: Pārliecinieties, ka plaujmašinas asmens un visas fiksējošās daļas ir pareizi uzstādītas un cieši pievilktas.

▲BRĪDINĀJUMS: Nomainot asmeņus, vienmēr izpildiet šajā rokasgrāmatā ietvertos norādījumus.

IEVĒRĪBAI: Pēc plaujmašinas asmeņu uzstādīšanas izņemiet tapu no plaujmašinas korpusa.

Lai uzstādītu plaujmašinas asmeņus, noņemšanas darbības izpildiet pretējā secībā.

PROBLĒMU NOVĒRŠANA

Pirms vienošanās par remontu vispirms veiciet savu pārbaudi. Ja konstatējat problēmu, kas rokasgrāmatā nav aprakstīta, nemēģiniet izjaukt darbarīku. Tā vietā vērsieties Makita pilnvarotā servisa centrā un remontam vienmēr izmantojiet tikai Makita rezerves daļas.

Neatbilstošas darbības stāvoklis	Iespējama iemesls (kļūme)	Risinājums
Pļaujmašīna nesāk darboties.	Nav uzstādītas divas akumulatora kasetnes.	Ievietojiet divas uzlādētas akumulatora kasetnes.
	Akumulatora kļūme (zems spriegums)	Uzlādējiet akumulatora kasetni. Ja uzlāde nav efektīva, nomainiet akumulatora kasetni.
	Nav ievietota bloķēšanas atslēga.	Ievietojiet bloķēšanas atslēgu.
	Akumulatoru atlasē slēdzis neatrodas pareizā pozīcijā.	Ar akumulatoru atlasē slēdzi atlasiet to akumulatora līgzdu, kurā akumulatora kasetnes ir izstādītas.
Motors izslēdzas pēc neilgas darbināšanas.	Akumulatora uzlādes līmenis ir par zemu.	Uzlādējiet akumulatora kasetni. Ja uzlāde nav efektīva, nomainiet akumulatora kasetni.
	Griešanas augstums ir par mazu.	Palieliniet griešanas augstumu.
	Nopļautā zāle ir sakrājušies pļaujmašīnā.	Iztīriet sakrājušos zāli no pļaujmašīnas.
Motors nesasniedz maksimālo apgrīzietu skaitu minūtē.	Akumulatora kasetne nav uzstādīta pareizi.	Uzstādiet akumulatora kasetni, kā aprakstīts šajā rokasgrāmatā.
	Samazinās akumulatora jauda.	Uzlādējiet akumulatora kasetni. Ja uzlāde nav efektīva, nomainiet akumulatora kasetni.
	Piedziņas sistēma nedarbojas pareizi.	Lūdziet veikt remontu vietējā pilnvarotā apkopes centrā.
Pļaujmašīnas asmens negriežas: ⇒ nekavējoties apturiet pļaujmašīnu!	Pie asmens iesprūdis kāds svešķermenis, piemēram, zars.	Izņemiet svešķermeni.
	Piedziņas sistēma nedarbojas pareizi.	Lūdziet veikt remontu vietējā pilnvarotā apkopes centrā.
Pārmērīga vibrācija: ⇒ nekavējoties apturiet pļaujmašīnu!	Asmens nav nolīmeņots, ir pārmērīgi vai nevienmērīgi nodilis.	Nomainiet asmeni.

PAPILDU PIEDERUMI

⚠UZMANĪBU: Kopā ar šajā rokasgrāmatā aprakstīto Makita darbarīku ieteicams izmantot norādītos piederumus vai palīgierīces. Izmantojot citus piederumus vai palīgierīces, var izraisīt traumas. Piederumu vai palīgierīci izmantojiet tikai paredzētajam nolūkam.

Ja jums vajadzīga palīdzība vai precīzāka informācija par šiem piederumiem, vērsieties savā tuvākajā Makita apkopes centrā.

- Pļaujmašīnas asmens
- Makita oriģinālais akumulators un lādētājs

PIEZĪME: Daži sarakstā norādītie izstrādājumi var būt iekļauti izstrādājuma komplektācijā kā standarta piederumi. Tie dažādās valstīs var būt atšķirīgi.

SPECIFIKACIJOS

Modelis:		DLM462	DLM530	DLM532
Pjovimo plotis (peilio skersmuo)		460 mm	534 mm	
Be apkrovos		2 500 min ⁻¹	2 300 min ⁻¹	
Didžiausias greitis		3 300 min ⁻¹	2 800 min ⁻¹	
Pakaitinio vejjapjovės peilio dalies numeris	Tiesus vejjapjovės peilis	191D51-9	191D52-7	
	Atšokantys vejjapjovės peiliai *1	191D49-6	191D50-1	
	Atšokantys vejjapjovės peiliai *2	191D47-0	191D48-8	
Matmenys (I x P x A)		L: nuo 1 610 mm iki 1 690 mm W: 535 mm H: nuo 980 mm iki 1 095 mm	I: nuo 1 630 mm iki 1 715 mm P: 590 mm A: nuo 990 mm iki 1 095 mm	
Važiavimo greitis		2,5–5,0 km/h	–	2,5–5,0 km/h
Nominali įtampa		Nuol. sr. 36 V		
Grynasis svoris	Kai sumontuotas tiesus vejjapjovės peilis	35,3 - 39,0kg	35,5 - 39,3kg	39,0–42,8 kg
	Kai sumontuoti atšokantys vejjapjovės peiliai	36,0–39,7 kg	36,2–40,0 kg	39,7–43,5 kg
Apsaugos laipsnis		IPX4		

*1. Pagrindo plokštelė ir pavieniai vejjapjovės peiliai.

*2. Tik pavieniai vejjapjovės peiliai.

- Atliekame tęstinus tyrimus ir nuolatos tobuliname savo gaminius, todėl čia pateikiamos specifikacijos gali būti keičiamos be įspėjimo.
- Skirtingose šalyse specifikacijos gali skirtis.
- Svoris gali priklausyti nuo priedo (-ų), įskaitant akumulatoriaus kasetę. Lengviausias ir sunkiausias deriniai pagal EPTA 2014 m. sausio mėn. procedūrą yra parodyti lentelėje.

Tinkama akumulatoriaus kasetė

BL1815N / BL1820 / BL1820B / BL1830 / BL1830B / BL1840 / BL1840B / BL1850 / BL1850B / BL1860B

- Atsižvelgiant į gyvenamosios vietos regioną, kai kurios pirmiau nurodytos akumulatoriaus kasetės gali būti nepriėmamos.

⚠️ ĮSPĖJIMAS: Naudokite tik akumulatoriaus kasetes, kurios nurodytos anksčiau. Naudojant bet kurias kitas akumulatoriaus kasetes, gali kilti sužeidimo ir gaisro pavojus.

Simboliai

Toliau yra nurodyti įrangai naudojami simboliai. Prieš naudodami įsitikinkite, ar suprantate jų reikšmę.



Būkite itin atsargūs ir dėmesingi.



Perskaitykite instrukcijų vadovą.



Pavojus; saugokitės skriejančių objektų.



Tarp įrankio ir šalia esančių žmonių turi būti bent 15 m atstumas.



Laikykite rankas ir pėdas atokiai nuo vejjapjovės apačioje esančių peilių. Išjungus variklį, peiliai dar kurį laiką sukasi.



Prieš atikdami tikrinimo, reguliavimo, valymo ir techninės priežiūros darbus, taip pat prieš palikdami vejjapjovę be priežiūros ir pastatydami ją į saugojimo vietą, ištraukite spynos raktą.



Su elektros įranga susijęs pavojus. Sąlytis su vandeniu gali sukelti elektros smūgį.



Nepilkite vandens.



Taikoma tik ES šalims
Neišmeskite elektros įrangos arba akumulatoriaus bloko į buitinius šukšlynus!
Atsižvelgiant į ES direktyvas dėl elektros ir elektroninės įrangos atliekų, dėl baterijų ir akumuliatorių bei baterijų ir akumuliatorių atliekų ir šių direktyvų siekių įgyvendinimą pagal nacionalinius įstatymus, elektros įrangos ir baterijų bei akumuliatorių atliekas būtina surinkti atskirai nuo kitų buitinių atliekų ir atiduoti į antrinių žaliavų perdavimo aplinkai nekenksmingu būdu punktą.

Numatytoji naudojimo paskirtis

Įrenginys skirtas tik vejai pjauti.

Triukšmas

Jprastas triukšmo A lygis, nustatytas pagal EN60335-2-77:

PASTABA: Vertės buvo nustatytos naudojant vejąpovę su tiesiu vejąpovės peiliu.

Modelis DLM462

Garso slėgio lygis (L_{pA}): 82,7 dB (A)
Garso galios lygis (L_{WA}): 90,9 dB (A)
Paklaida (K): 3 dB (A)

Modelis DLM530

Garso slėgio lygis (L_{pA}): 78,1 dB (A)
Garso galios lygis (L_{WA}): 90,4 dB (A)
Paklaida (K): 3 dB (A)

Modelis DLM532

Garso slėgio lygis (L_{pA}): 78,1 dB (A)
Garso galios lygis (L_{WA}): 90,4 dB (A)
Paklaida (K): 3 dB (A)

Dirbant triukšmo lygis gali viršyti 80 dB (A).

PASTABA: Paskelbta (-os) triukšmo reikšmė (-ės) nustatyta (-os) pagal standartinį testavimo metodą ir jį galima naudoti vienam įrankiui palyginti su kitu.

PASTABA: Paskelbta (-os) triukšmo reikšmė (-ės) taip pat gali būti naudojama (-os) norint preliminariai įvertinti triukšmo poveikį.

ĮSPĖJIMAS: Dėvėkite ausų apsaugą.

ĮSPĖJIMAS: Faktiškai naudojant elektrinį įrankį, keliamo triukšmo dydis gali skirtis nuo paskelbtos (-ų) reikšmės (-ių), priklausomai nuo būdų, kuriais yra naudojamas šis įrankis, ir ypač nuo to, kokio tipo ruošinys apdirbamas.

ĮSPĖJIMAS: Siekdami apsaugoti operatorių, būtinai įvertinkite saugos priemones, remdamiesi vibracijos poveikio įvertinimu esant faktinėms naudojimo sąlygoms (atsižvelgdami į visas darbo ciklo dalis, pavyzdžiui, ne tik kiek laiko įrankis veikia, bet ir kiek kartų jis yra išjungiamas bei kai jis veikia be apkrovų).

Vibracija

Vibracijos bendroji vertė (trიაšio vektoriaus suma) nustatyta pagal EN60335-2-77 standartą:

PASTABA: Vertės buvo nustatytos naudojant vejąpovę su tiesiu vejąpovės peiliu.

Modelis DLM462

Vibracijos emisija (a_n): 2,5 m/s² arba mažiau
Paklaida (K): 1,5 m/s²

Modelis DLM530

Vibracijos emisija (a_n): 2,5 m/s² arba mažiau
Paklaida (K): 1,5 m/s²

Modelis DLM532

Vibracijos emisija (a_n): 2,5 m/s² arba mažiau
Paklaida (K): 1,5 m/s²

PASTABA: Paskelbta (-os) vibracijos bendroji (-osios) reikšmė (-ės) nustatyta (-os) pagal standartinį testavimo metodą ir jį galima naudoti vienam įrankiui palyginti su kitu.

PASTABA: Paskelbta (-os) vibracijos bendroji (-osios) reikšmė (-ės) taip pat gali būti naudojama (-os) norint preliminariai įvertinti vibracijos poveikį.

ĮSPĖJIMAS: Faktiškai naudojant elektrinį įrankį, keliamos vibracijos dydis gali skirtis nuo paskelbtos (-ų) reikšmės (-ių), priklausomai nuo būdų, kuriais yra naudojamas šis įrankis, ir ypač nuo to, kokio tipo ruošinys apdirbamas.

ĮSPĖJIMAS: Siekdami apsaugoti operatorių, būtinai įvertinkite saugos priemones, remdamiesi vibracijos poveikio įvertinimu esant faktinėms naudojimo sąlygoms (atsižvelgdami į visas darbo ciklo dalis, pavyzdžiui, ne tik kiek laiko įrankis veikia, bet ir kiek kartų jis yra išjungiamas bei kai jis veikia be apkrovų).

EB atitikties deklaracija

Tik Europos šalims

EB atitikties deklaracija yra pridedama kaip šio instrukcijų vadovo A priedas.

SAUGOS ĮSPĖJIMAI

SVARBIOS SAUGOS INSTRUKCIJOS

ĮSPĖJIMAS: Perskaitykite visus saugos įspėjimus ir visą instrukciją. Nesilaikydami toliau pateiktų įspėjimų ir instrukcijų galite patirti elektros smūgį, gaisrą ir (arba) sunkų sužeidimą.

Išsaugokite visus įspėjimus ir instrukcijas, kad galėtumėte jas peržiūrėti ateityje.

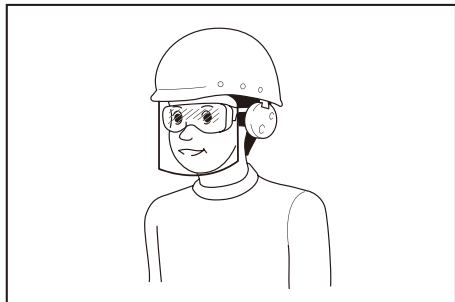
Mokymas

- Atidžiai perskaitykite šią instrukciją. Nuodugniai susipažinkite su valdikliais ir išsiaiškinkite, kaip tinkamai naudoti vejąpovę.
- Niekuomet neleiskite vejąpovės naudoti vaikams arba su šia instrukcija nesusipažinusiems žmonėms. Operatoriaus amžius gali būti reglamentuojamas vietinių įstatymų.
- Niekuomet nenaudokite vejąpovės, jei netoliese yra žmonių, ypač vaikų ar naminių gyvūnų.
- Atminkite, kad operatorius yra atsakingas už nelaimingus atsitikimus ar nelaimes, atsitikusius kitiems žmonėms, arba jų turtui padarytą žalą.
- Būtina prižiūrėti vaikus, kad jie nežaistų su vejąpove.
- Fizinės sąlygos – nenaudokite vejąpovės, jeigu esate apsvaigę nuo alkoholio, narkotikų arba kokių nors vaistų.

Pasiruošimas

- Naudodami vejąpovę, visuomet avėkite tvirtą avalynę ir mūvėkite ilgus kelnes. Niekuomet nedirbkite vejąpove, jeigu esate basi arba avite atvirus sandalus. Nedėvėkite laisvų drabužių ir kabančių papuošalų, nesurištų virvelių arba kaklaraiščių. Juos gali įtraukti judančios dalys.

2. Prieš naudodami vejavopę, visada apžiūrėkite, ar ji nepažeista, ar netruksta apsauginių įtaisų ir skydų, ar jie tinkamai uždėti.
3. Prieš padėdami pjauti žolę, įsitikinkite, ar toje vietoje nėra kitų žmonių. Išjunkite vejavopę, jeigu į darbo vietą kas nors ateina.
4. Nekiškite blokavimo raktelio į vejavopę, kol ji nebus paruošta naudoti.
5. Visada naudodami elektrinius įrankius užsidėkite apsauginius akinius, kad apsaugotumėte savo akis nuo sužalojimų. Akiniai turi atitikti ANSI Z87.1 reikalavimus JAV, EN 166 reikalavimus Europoje arba AS/NZS 1336 reikalavimus Australijoje / Naujojoje Zelandijoje. Australijoje / Naujojoje Zelandijoje taip pat teisiškai privaloma naudoti veido skydelį.



Darbdavys privalo užtikrinti, kad įrankio operatoriai ir kiti šalia jo darbo vietos esantys asmenys naudotų tinkamas apsaugos priemones.

6. Prieš naudodami patikrinkite peilius arba peilių varžtus, ar nėra įtrūkimų ar pažeidimų. Nedelsdami pakeiskite įtrūkusius arba pažeistus peilius arba peilių varžtus.
7. Prieš pradėdami pjauti žolę, surinkite nuo vejos pašalinius daiktus, pavyzdžiui, akmenis, laidus, butelius, kaulus ir dideles šakas, kad nesusižeistumėte ir nesugadintumėte vejavopės.
8. Vejavopės peilio užkliudyti objektai gali sunkiai sužaloti. Prieš kiekvieną vejos pjovimą, veją visada reikia atidžiai apžiūrėti ir surinkti nuo jos visus daiktus.
9. Saugokitės duobių, provėžų, nelygumų, akmenų ir kitų nematomų objektų. Nelygioje vietoje galima paslysti ir griūti. Aukšta žolė gali slėpti kliūtis.
10. Nekiškite ir neišimkite blokavimo raktelį lyjant.
11. Naudokite asmenines saugos priemones. Visada naudokite akių apsaugos priemones. Apsauginės priemonės, pavyzdžiui, respiratorius, apsauginiai batai neslidžiais padais, šalmas ar ausų apsaugos, naudojamoms atitinkamomis sąlygomis, sumažina susižeidimo pavojų.

Naudojimas

1. Nepersiverkite. Visuomet išlaikykite pusiausvyrą. Dirbdami nuokalnėse, visada tvirtai stovėkite. Vaikščiokite, o ne bėgiokite.
2. Išjunkite vejavopę, ištraukite blokavimo raktelį ir įsitikinkite, kad visos judamosios dalys visiškai sustojo:

- kai paliekate vejavopę be priežiūros,
 - prieš pradėdami valyti užsikimšimus arba prieš atkimsdami išmetimo lataką,
 - prieš tikrindami, valydami arba dirbdami vejavopę,
 - užkliudę pašalinį objektą. Prieš vėl įjungdami vejavopę ir pradėdami dirbti, apžiūrėkite, ar nėra gedimų, ir juos pašalinkite;
 - jeigu vejavopė pradeda neįprastai vibruoti.
3. Niekada nenaudokite vejavopės su pažeistais apsauginiais skydais arba gaubtais ar be tinkamai sumontuotų saugos įtaisų, pavyzdžiui, kreiptuvų ir (arba) žolės surinkimo krepšio.
 4. Vejavopės nenaudokite esant blogam orui ir ypač tada, kai gali žaibuoti.
 5. Naudodami vejavopę, visada dėvėkite akių apsaugos priemones ir avėkite tvirtus batus.
 6. Vejavopę naudokite tik dienos metu arba esant geram dirbtiniam apšvietimui.
 7. Atsargiai įjunkite vejavopę, kaip nurodyta instrukcijoje; pėdos turi būti pakankamu atstumu nuo peilio (-ių).
 8. Saugokitės, kad vejavopės peilis nesužeistų kojų ir rankų.
 9. Ventilacijos angos visą laiką turi būti atviros ir švarios.
 10. Pjaukite žolę, važiuodami nuokalnėmis aukštyn ir žemyn, o ne skersai. Keisdami kryptis nuokalnėse, būkite itin atsargūs. Nepjaukite žolės pernelyg stačiose nuokalnėse.
 11. Būkite itin atsargūs, važiuodami atbuline eiga arba traukdami vejavopę savęs link.
 12. Sustabdykite peilį (-ius), jeigu vejavopę reikia paversti, kad ją galima būtų perkelti per žolę neapaugusius paviršius, ir gabendami vejavopę iš vietos, kurioje ji buvo naudojama, ir į tą vietą, kurioje ji bus naudojama.
 13. Paleisdami variklį, vejavopės nepakreipkite, išskyrus tą atvejį, jeigu vejavopę reikia pakreipti, kad ją būtų galima paleisti. Tokiu atveju pakreipkite ją tik tiek, kiek tai visiškai būtina, ir kelkite tik tą dalį, kuri yra nukreipta tolyn nuo operatoriaus. Prieš nuleisdami vejavopę ant žemės, visada užtikrinkite, kad abi rankos būtų darbinėje padėtyje.
 14. Nekiškite rankų ar kojų artyn prie besisukančių dalių arba po jomis. Visada stovėkite atokiai nuo išmetimo angos.
 15. Negabenkite veikiančios vejavopės.
 16. Vejavopę nepjaukite šlapios žolės.
 17. Visada tvirtai laikykite rankeną.
 18. Paimdami arba laikydami vejavopę, neimkite už atvirų pjovimo peilių arba pjovimo briaunų.
 19. Laikykite pėdas ir rankas atokiai nuo besisukančių peilių. Dėmesio – išjungus vejavopę, pjovimo peiliai dar sukasi iš inercijos.
 20. Pastebėję ką nors neįprasto, tučtuojau nutraukite darbą. Išjunkite vejavopę ir ištraukite blokavimo raktelį. Tada apžiūrėkite vejavopę.
 21. Nereguliuokite pjovimo aukščio, kai vejavopė veikia, jei vejavopė turi pjovimo aukščio reguliavimo funkciją.

22. Prieš kirsdami kelius, takus, vieškelius ir bet kokias žvyru padengtas vietas, atleiskite svirtinį jungiklį ir palaukite, kol peiliai nebesuks. Taip pat ištraukite blokavimo raktelį, jeigu vejaplovė paliekate be priežiūros, jeigu siekiate kažką pakelti arba patraukti iš kelio, arba dėl bet kokios kitos priežasties, kuri gali atitraukti jus nuo atliekamo darbo.
23. Jeigu vejaplovė užkliudo pašalinį objektą, atlikite šiuos veiksmus:
 - Išjunkite vejaplovę, atleiskite svirtinį jungiklį ir palaukite, kol peilis visiškai sustos.
 - Ištraukite blokavimo raktelį ir išimkite akumuliatoriaus kasetę.
 - Apžiūrėkite vejaplovę, ar ji neapgadinta.
 - Pakeiskite peilį, jeigu jis kaip nors apgadintas. Prieš užvesdami ir toliau naudodami vejaplovę, pašalinkite bet kokius gedimus.
24. Neužveskite vejaplovės variklio, stovėdami priešais išmetimo angą.
25. Jeigu vejaplovė pradeda neįprastai vibruoti, nedelsdami
 - patikrinkite, ar nėra gedimo;
 - pakeiskite arba pataisykite bet kurias sugadintas dalis;
 - patikrinkite ir priveržkite visas atsilaisvinusias dalis.
26. Išmetamos medžiagos niekada nenukreipkite į kitus žmones. Stenkitės nemesti medžiagos sienos ar kliūties link. Medžiaga gali atšokti atgal operatoriaus link. Kirsdami žvyruotus paviršius, sustabdykite peilį.
27. Vejaplovės netraukite atgal, nebent tai būtų būtina. Kai vejaplovę tenka atitraukti nuo tvoros ar kitos panašios kliūtis ir prieš eidami atbulomis, pasižiūrėkite žemyn ir atgal.
28. Prieš nuimdami žolės gaudyklę, išjunkite variklį ir palaukite, kol peilis visiškai nustos sukintis. Turėkite omenyje, kad išjungus vejaplovę, peiliai dar sukasi iš inercijos.
29. Kai naudojate mašiną ant purvinos dirvos, drėgno nuolydžio ar slidžios vietos, atkreipkite dėmesį į pagrindą po kojomis.
30. Venkite dirbti netinkamoje aplinkoje, kurioje tikėtina, kad naudotojas labiau pavargs.
31. Nenaudokite mašinos prastu oru, kai matomas ribotas. To nepadarius, dėl silpno matomumo galite apversti mašiną arba ji gali netinkamai veikti.
32. Nenaudokite mašinos balose.
33. Jei lyjant prie siurbimo angos (ventiliacijos lango) pripilo drėgnas lapas ar purvas, pašalinkite juos.
34. Nenaudokite mašinos ant sniego.
35. Jei nupjauta žolė yra šlapia, ji gali užkimšti mašinos vidų. Reguliariai tikrinkite mašinos būklę ir pririnkite šalinkite susikaupusią žolę.
36. Naudodami mašiną atkreipkite dėmesį į vamzdelius ir laidus.
37. Su šia mašina nenaudokite laidu prijungiamo maitinimo šaltinio, pavyzdžiui, akumuliatoriaus adapterio ar nešiojamojo maitinimo šaltinio. Tokio maitinimo šaltinio kabelis gali trukdyti dirbti ir sukelti sužalojimų.

Techninė priežiūra ir laikymas

1. Saugumo sumetimais pakeiskite nusidėvėjusias arba sugadintas dalis. Pririnkus priedų arba atsarginių dalių, naudokite tik originalias dalis.
2. Vejaplovę reguliariai apžiūrėkite ir sutvarkykite.
3. Nenaudojamą vejaplovę laikykite vaikams nepasiekiamoje vietoje.
4. Visos varžlės, varžtai ir sraigčiai turi būti tvirtai prisukti, kad būtų užtikrintos saugios įrenginio darbo sąlygos.
5. Dažnai tikrinkite, ar žolės surinkimo krepšys nesusidėvėjęs ir yra tinkamos būklės. Prieš pastatydami įrenginį, būtinai ištuštinkite žolės surinkimo krepšį. Norėdami užtikrinti saugą, nusidėvėjusį žolės surinkimo krepšį pakeiskite nauju originaliu atsarginiu krepšiu.
6. Naudokite tik šioje instrukcijoje nurodytus originalius peilius.
7. Reguluodami vejaplovę būkite atsargūs, kad pirštų neįtrauktų judantys peiliai ir nejudančios jos dalys.
8. Dažnai tikrinkite, ar tinkamai priveržti peilių montavimo varžtai.
9. Prieš pastatydami vejaplovę į saugojimo vietą, palaukite, kol ji visiškai atvės.
10. Prieš pradėdami peilių techninės priežiūros darbus, nepamirškite, kad nors maitinimo šaltinis yra išjungtas, peiliai vis tiek gali sukintis.
11. Niekada nenuimkite ir negadinkite apsauginių įtaisų. Reguliariai tikrinkite, ar jie gerai veikia. Nedarykite nieko, kas apsauginiam įtaisui trukdytų atlikti jo funkciją ar sumažintų jo suteikiamą apsaugą.
12. Nepalikite mašinos lauke lyjant.
13. Neplaukite mašinos aukšto slėgio vandeniu.
14. Plaudami mašiną, būtinai išimkite akumuliatorių ir blokavimo mygtuką, uždarykite akumuliatoriaus dangtelį ir pilkite vandenį mašinos apačios link, kur pritvirtintas peilis.
15. Mašinos laikymo vietoje neturėtų būti tiesioginių saulės spindulių ir lietaus; laikykite ją ten, kur ji nesuslėpys ir neįkais.
16. Atlikite patikrinimą ar techninę priežiūrą ten, kur galima išvengti lietaus.
17. Baigę naudoti mašiną, prieš statydami ją sandėliuoti, pašalinkite prikibusius nešvarumus ir visiškai išdžiovinkite mašiną. Priklausomai nuo sezono arba regiono, dėl užšalimo mašina gali sugesti.

Akumuliatorinio įrankio naudojimas ir priežiūra

1. Įkraukite naudodami tik gamintojo nurodytą įkroviklį. Įkroviklis, kuris tinka vienam akumuliatorių tipui įkrauti, gali kelti gaisro pavojų, jei bus naudojamas su kitų tipų akumuliatoriais.
2. Elektrinius įrankius naudokite tik su specialiai jiems skirtais akumuliatoriais. Naudojant bet kurį kitą akumuliatorių gali kilti sužeidimo ir gaisro pavojus.
3. Kai akumuliatorius nėra naudojamas, laikykite jį toliau nuo kitų metalinių daiktų, pavyzdžiui, popieriaus sąvaržėlių, monetų, raktų, vinių, varžtų ir kitų mažų metalinių daiktų, dėl kurių gali kilti trumpasis jungimas tarp kontaktų. Akumuliatorių kontaktų trumpasis jungimas gali būti nudegimų arba gaisro priežastimi.

- Netinkamai naudojant iš akumuliatoriaus gali iškelti skysčio. Venkite sąlyčio su juo. Jei sąlytis atsitiktinai įvyko, gausiai nuplaukite vandeniu. Jei skysčio pateko į akis, kreipkitės į gydytoją. Iš akumuliatoriaus išbėgęs skystis gali sudirginti arba nudeginti odą.
- Nenaudokite sugadinto ar modifikuoto akumuliatoriaus arba įrankio. Sugadinti arba modifikuoti akumuliatoriai gali veikti neįprastai, todėl gali kilti gaisras, sprogimas arba sužalojimo rizika.
- Saugokite akumuliatorių arba įrankį nuo ugnies ar pernelyg aukštos temperatūros. Dėl ugnies ar 130 °C viršijančios temperatūros gali kilti sprogimas.
- Laikykitės visų įkrovimo nurodymų ir nekraukite akumuliatoriaus ar įrankio, kai temperatūra neatitinka nurodymuose pateikto temperatūros intervalo. Netinkamai įkraunant arba įkraunant esant kitam nei nustatytas temperatūros intervalui, gali būti sugadintas akumuliatorius ar padidėti gaisro rizika.

Elektros ir akumuliatoriaus sauga

- Nemeskite akumuliatoriaus (-ių) į ugnį. Akumuliatoriaus elementas gali sprogti. Pastikrinkite, ar vietiniai įstatymai nenurodo specialaus išmetimo būdo.
- Neatidarykite ir neardykite akumuliatoriaus (-ių). Ištekėjęs elektrolitas yra šėdinančioji medžiaga, kuri gali pažeisti akis ar odą. Nurytas jis gali apnuodyti.
- Nenaudokite akumuliatoriaus lyjant arba drėgnose vietose.
- Nekraukite akumuliatoriaus lauke.
- Neimkite įkroviklio, įskaitant įkroviklio kištuką ir gnybtus, drėgnomis rankomis.
- Nekeiskite akumuliatoriaus lyjant.
- Negalima šlapinti akumuliatoriaus gnybto skysčiu, pvz., vandeniu, arba panardinti akumuliatoriaus. Nepalikite akumuliatoriaus lietuje, neįkraukite, nenaudokite ir nekeiskite akumuliatoriaus šlapioje arba drėgnoje vietoje. Jei gnybtas sušlampa arba į akumuliatoriaus vidų patenka skysčio, gali kilti trumpasis akumuliatoriaus jungimas ir perkaitimo, gaisro arba sprogimo pavojus.
- Išėmę akumuliatorių iš mašinos arba įkroviklio, būtinai uždėkite akumuliatoriaus dangtelį ant akumuliatoriaus ir laikykite jį sausoje vietoje.
- Nekeiskite akumuliatoriaus šlapiomis rankomis.

Techninė priežiūra

- Tegu jūs elektrinio įrankio techninę priežiūrą atlieka kvalifikuotas remonto meistras, naudodamas tik identiškas atsargines dalis. Tai užtikrina, kad elektrinis įrankis liks saugus naudoti.
- Niekada neatlikite pažeistų akumuliatorių techninės priežiūros. Akumuliatorių techninę priežiūrą turi atlikti tik gamintojas arba įgaliotieji techninės priežiūros paslaugų teikėjai.

SAUGOKITE ŠIAS INSTRUKCIJAS.

▲JSPĖJIMAS: NELEISKITE, kad patogumas ir gaminio pažinimas (įgyjamas pakartotinai naudojant) susilpnintų griežtą saugos taisyklių, taikytinų šiam gaminiui, laikymąsi.

Dėl NETINKAMO NAUDOJIMO arba saugos taisyklių, kurios pateiktos šioje instrukcijoje, nesilaikymo galima rimtai susižeisti.

Svarbios saugos instrukcijos, taikomos akumuliatoriaus kasetei

- Prieš naudodami akumuliatoriaus kasetę, perskaitykite visas instrukcijas ir perspėjimus ant (1) akumuliatorių įkroviklio, (2) akumuliatorių ir (3) akumuliatorių naudojančio gaminio.
- Neardykite akumuliatoriaus kasetės.
- Jei įrankio darbo laikas žymiai sutrumpėjo, nedelsdami nutraukite darbą su įrankiu. Tai gali kelti perkaitimo, nudegimų ar net sprogimo pavojų.
- Jei elektrolitas pateko į akis, plaukite jas tyru vandeniu ir nedelsdami kreipkitės į gydytoją. Gali kilti regėjimo praradimo pavojus.
- Neužtrumpinkite akumuliatoriaus kasetės:
 - Nelieskite kontaktų degiomis medžiagomis.
 - Venkite laikyti akumuliatoriaus kasetę kartu su kitais metaliniais daiktais, pavyzdžiui, vinimis, monetomis ir pan.
 - Saugokite akumuliatoriaus kasetę nuo vandens ir lietaus.
 Trumpasis jungimas akumuliatoriuje gali sukelti stiprią srovę, perkaitimą, galimus nudegimus ar net akumuliatoriaus gedimą.
- Nelaikykite įrankio ir akumuliatoriaus kasetės vietose, kur temperatūra gali pasiekti ar viršyti 50 °C.
- Nedeginkite akumuliatoriaus kasetės, net jei yra stipriai pažeista ar visiškai susidėvėjusi. Ugnyje akumuliatoriaus kasetė gali sprogti.
- Saugokite akumuliatorių nuo kritimo ir smūgių.
- Nenaudokite pažeisto akumuliatoriaus.
- Įdėmoms ličio jonų akumuliatoriams taikomi Pavojingų prekių teisės akto reikalavimai. Komeracinis transportas, pvz., trečiųjų šalių, prekių vežimo atstovų, turi laikytis specialaus reikalavimo ant pakuotės ir ženklavimo. Norėdami paruošti siųstiną prekę, pasitarkite su pavojingų medžiagų specialistu. Be to, laikykitės galimai išsamesnių nacionalinių reglamentų. Užlijuokite juosta arba padenkite atvirus kontaktus ir supakuokite akumuliatorių taip, kad jį pakuotėje nejudėtų.
- Kai išmetate akumuliatoriaus kasetę, išimkite ją iš įrankio ir išmeskite saugioje vietoje. Vadovaukitės vietos reglamentais dėl akumuliatorių išmetimo.
- Baterijas naudokite tik su „Makita“ nurodytais gaminiiais. Baterijas įdėjus į netinkamus gaminius gali kilti gaisras, gaminyje pernelyg kaisti, kilti sprogimas arba pratekėti elektrolitas.
- Jei įrankis bus ilgą laiką nenaudojamas, akumuliatorių būtina išimti iš įrankio.

SAUGOKITE ŠIAS INSTRUKCIJAS.

▲PERSPĖJIMAS: Naudokite tik originalų „Makita“ akumuliatorių. Neoriginalaus „Makita“ arba pakeisto akumuliatoriaus naudojimas gali nulemti gaisrą, asmens sužalojimą ir pažeidimą. Tai taip pat panaikina „Makita“ suteikiamą „Makita“ įrankio ir įkroviklio garantiją.

Patarimai, ką daryti, kad akumuliatorius veiktų kuo ilgiau

1. Pakraukite akumuliatoriaus kasetę prieš jai visiškai išsikraunant. Visuomet nustokite naudoti įrankį ir pakraukite akumuliatoriaus kasetę, kai pastebite, kad įrankio galia sumažėjo.
2. Niekada nekraukite iki galo įkrautos akumuliatoriaus kasetės. Perkraunant trumpėja akumuliatoriaus eksploatacijos laikas.
3. Akumuliatoriaus kasetę kraukite esant kambario temperatūrai 10 - 40 °C. Prieš pradėdami krauti, leiskite įkaitusiai akumuliatoriaus kasetei atvėsti.
4. Įkraukite akumuliatoriaus kasetę, jei jos nenaudojate ilgą laiką (ilgiau nei šešis mėnesius).

SURINKIMAS

▲ISPĖJIMAS: Prieš pradėdami bet kokius vejaplovės techninės priežiūros, valymo arba reguliavimo darbus, visuomet būtinai ištraukite fiksavimo raktą ir išimkite akumuliatoriaus kasetę. Neištraukus fiksavimo rakto ir neišėmus akumuliatoriaus kasetės, galima sunkiai susižeisti dėl atsitiktinio įrenginio paleidimo.

▲ISPĖJIMAS: Niekada nepaleiskite vejaplovės, kol ji nėra visiškai surinkta. Naudojant iš dalies surinktą mašiną, ji gali netyčia pasileisti ir sunkiai sužeisti.

Rankenos montavimas

PASTABA: Montuodami rankenas, laidus nutieskite taip, kad niekas jų neįtrauktų tarp rankenų. Jei laidas pažeistas, vejaplovės jungiklis gali neveikti.

1. Sulygiuokite apatinės rankenos angas su angomis ant vejaplovės korpuso, tada laikinai priveržkite 4 varžtus.
► **Pav.1:** 1. Apatinė rankena 2. Varžtas
2. 13 dydžių veržliarakčiu tvirtai priveržkite 4 varžtus, kurie buvo laikinai priveržti 1 veiksmo metu.
3. Apatinės rankenos angą sulygiuokite su viršutinės rankenos anga, tada iš vidaus įkiškite varžtą ir 13 dydžio veržliarakčiu iš išorės priveržkite veržlę. Tą pačią procedūrą pakartokite kitoje pusėje.
► **Pav.2:** 1. Varžtas 2. Apatinė rankena 3. Veržlė 4. Anga 5. Viršutinė rankena

▲PERSPĖJIMAS: Tvirtai laikykite viršutinę rankenėlę, kad ji neišslystų iš rankos. Priešingu atveju rankena gali nukristi ir sužaloti.

4. Pritvirtinkite laikiklius prie rankenos.

Laikiklio iškyšas sulygiuokite su rankenos angomis, kad iškyšos įlįstų į angas. Laidus išdėstykite, kaip parodyta paveikslėlyje.

► **Pav.3:** 1. Laidas 2. Laikiklis

Mulčiavimo kaiščio nuėmimas

1. Atidarykite galinį dangtelį.
► **Pav.4:** 1. Galinis dangtelis
2. Laikydami svirtį nuspaustą, nuimkite mulčiavimo kaištį.
► **Pav.5:** 1. Svirtelė 2. Mulčiavimo kaištis

Žolės surinkimo krepšio uždėjimas ir nuėmimas

Norėdami uždėti žolės surinkimo krepšį, atlikite toliau nurodytus veiksmus.

1. Atidarykite galinį dangtelį.
► **Pav.6:** 1. Galinis dangtelis
2. Suimkite žolės surinkimo krepšio rankeną, tada pakabinkite žolės krepšį ant vejaplovės korpuso strypo, kaip parodyta paveikslėlyje.
► **Pav.7:** 1. Strypas 2. Rankena 3. Žolės surinkimo krepšys

Norėdami nuimti žolės surinkimo krepšį, atidarykite galinį dangtelį ir nuimkite žolės surinkimo krepšį, suėmę už jo rankenos.

Mulčiavimo kaiščio uždėjimas

1. Atidarykite galinį dangtelį ir išimkite žolės surinkimo krepšį.
► **Pav.8:** 1. Galinis dangtelis 2. Žolės surinkimo krepšys
2. Laikydami svirtį nuspaustą, pritvirtinkite mulčiavimo kaištį, tada jį užfiksukite atleisdami svirtį.
► **Pav.9:** 1. Svirtelė 2. Mulčiavimo kaištis

Išmetimo priedo tvirtinimas

Modeliams DLM530/DLM532

1. Atidarykite galinį dangtelį ir išimkite žolės surinkimo krepšį.
► **Pav.10:** 1. Galinis dangtelis 2. Žolės surinkimo krepšys
2. Laikydami svirtį nuspaustą, pritvirtinkite mulčiavimo kaištį, tada jį užfiksukite atleisdami svirtį.
► **Pav.11:** 1. Svirtelė 2. Mulčiavimo kaištis
3. Atidarykite dešinįjį dangtelį, tada pritvirtinkite išmetimo priedą.

Išmetimo priedo kabliukus pakiškite po dešiniojo dangtelio strypu.

► **Pav.12:** 1. Dešinysis dangtelis 2. Išmetimo priedas

VEIKIMO APRAŠYMAS

Akumulatoriaus kasetės uždėjimas ir nuėmimas

⚠️ PERSPĖJIMAS: Prieš įdėdami arba išimdami akumulatoriaus kasetę, visada išjunkite mašiną.

⚠️ PERSPĖJIMAS: Įdėdami arba išimdami akumulatoriaus kasetę, tvirtai laikykite mašiną ir akumulatoriaus kasetę. Jeigu mašiną ir akumulatoriaus kasetę laikysite netvirtai, jie gali išslysti iš rankų, todėl mašina ir akumulatoriaus kasetė gali būti sugadinti, o naudotojas sužalotas.

⚠️ PERSPĖJIMAS: Prieš pradėdami naudoti, įsitikinkite, ar akumulatoriaus dangtelis užfiksuotas. Kitaip gali patekti purvo, nešvarumų arba vandens ir gaminyje arba akumulatoriaus kasetėje gali sugesti.

⚠️ PERSPĖJIMAS: Akumulatoriaus kasetę visada kiškite iki galo, kol nebematysite raudono indikatorius. Kitaip ji gali atsitiktinai iškristi iš mašinos ir sužaloti jus arba aplinkinius žmones.

⚠️ PERSPĖJIMAS: Nekiškite akumulatoriaus kasetės įėga. Jeigu kasetė sunkiai lenda, ją kišate netinkamai.

PASTABA: Mašina neveikia tik su viena akumulatoriaus kasete.

Norėdami įdėti akumulatoriaus kasetę;

1. Ištraukite fiksavimo svirtį ir atidarykite akumulatoriaus dangtelį.

► **Pav.13:** 1. Akumulatoriaus skyriaus dangtelis
2. Užrakto svirtelė

2. Sulygiuokite akumulatoriaus kasetės liežuvėlį su grioveliu mašinoje ir stumkite kasetę, kol ji tyliai spragtelėjusi užsifiksuos.

► **Pav.14:** (1) 1 akumulatoriaus anga (2) 2 akumulatoriaus anga (3) Akumulatoriaus kasetė

PASTABA: Įdėkite mažiausiai 2 akumulatoriaus kasetes į 1 akumulatoriaus angą arba 2 akumulatoriaus angą.

3. Iki galo įkiškite fiksavimo raktą į paveikslėlyje parodytą vietą.

► **Pav.15:** 1. Fiksavimo raktas

4. Uždarykite akumulatoriaus skyriaus dangtelį ir spauskite jį tol, kol fiksavimo svirtis jį užsklės.

Kaip ištraukti akumulatoriaus kasetę:

1. Ištraukite fiksavimo svirtį ir atidarykite akumulatoriaus dangtelį.

2. Slinkdami mygtuką, esantį kasetės priekyje, ištraukite akumulatoriaus kasetę iš mašinos.

3. Ištraukite fiksavimo raktą.

4. Uždenkite akumulatoriaus skyriaus dangtelį.

Akumulatoriaus kasečių perjungimas

► **Pav.16:** 1. Akumulatoriaus pasirinkimo jungiklis

Veikdama mašina vienu metu naudoja 2 akumulatoriaus kasetes. Į mašiną galima įdėti iki 4 akumulatoriaus kasečių. Prieš dirbdami su mašina, pasirinkite 1 arba 2 akumulatoriaus angą pasukdami akumulatoriaus pasirinkimo jungiklį.

PASTABA: Jei į mašiną įdėtos tik 2 akumulatoriaus kasetės, akumulatoriaus pasirinkimo jungiklio būtinai pasirinkite tą akumulatoriaus angą, į kurią įdėtos akumulatoriaus kasetės.

Mašinos / akumulatoriaus apsaugos sistema

Mašinoje įrengta mašinos / akumulatoriaus apsaugos sistema. Ši sistema automatiškai atjungia variklio maitinimą, kad mašina ir akumulatorius ilgiau veiktų. Mašina automatiškai išsijungs veikimo metu atsiradus vienai iš toliau nurodytų mašinos arba akumulatoriaus sąlygų:

Apsauga nuo perkrovos

Kai akumulatorius naudojamas taip, kad neįprastai padidėja elektros srovė, mašina automatiškai sustoja, o pagrindinė maitinimo lemputė mirksi žalia spalva. Tokiu atveju išjunkite mašiną ir nutraukite darbą, dėl kurio atsirado perkrova. Tada vėl įjunkite mašiną ir pradėkite iš naujo.

Apsauga nuo perkaitimo

Jeigu mašina arba akumulatorius perkaista, mašina automatiškai sustoja, o pagrindinė maitinimo lemputė dega raudona spalva. Tokiu atveju, prieš vėl įjungdami mašiną, leiskite jai ir akumulatoriui atvėsti.

Apsauga nuo visiško išsekimo

Jeigu likusios akumulatoriaus galios nepakanka, mašina automatiškai sustoja, o pagrindinė maitinimo lemputė mirksi raudona spalva. Tokiu atveju išimkite akumulatorių iš mašinos ir įkraukite akumulatoriaus kasetes arba pakeiskite akumulatoriaus kasetes visiškai įkrautomis.

Likusios akumulatoriaus galios rodymas

Tik akumulatoriaus kasetėms su indikatoriumi

► **Pav.17:** 1. Indikatoriumi lemputės 2. Tikrinimo mygtukas

Paspauskite akumulatoriaus kasetės tikrinimo mygtuką, kad būtų rodoma likusi akumulatoriaus energija. Maždaug trims sekundėms užsidegs indikatoriumi lemputės.

Indikatorių lemputės			Likusi galia
Šviečia	Nešviečia	Blyksti	
			75 - 100 %
			50 - 75 %
			25 - 50 %
			0 - 25 %
			Įkraukite akumuliatorių.
			Galimai įvyko akumuliatoriaus veikimo triktis.

PASTABA: Rodmuo gali šiek tiek skirtis nuo faktinės energijos lygio – tai priklauso nuo naudojimo sąlygų ir aplinkos temperatūros.

Valdymo pultas

Valdymo skyde yra pagrindinis maitinimo jungiklis, režimo perjungimo mygtukas ir likusios akumuliatoriaus įkrovos indikatorius.

- **Pav.18:** 1. Akumuliatoriaus indikatorius 2. Režimo perjungimo lemputė 3. Pagrindinė maitinimo lemputė 4. Tikrinimo mygtukas 5. Režimo perjungimo mygtukas 6. Pagrindinis maitinimo jungiklis

Pagrindinis maitinimo jungiklis

⚠ISPĖJIMAS: Kai nenaudojate, visada išjunkite pagrindinį maitinimo jungiklį.

Norėdami įjungti mašiną, paspauskite pagrindinį maitinimo jungiklį. Pagrindinė maitinimo lemputė užsidega žalia spalva. Norėdami išjungti mašiną, dar kartą paspauskite pagrindinį maitinimo jungiklį.

PASTABA: Jei pagrindinė maitinimo lemputė šviečia raudona spalva arba mirksi raudona ar žalia spalva, žr. mašinos / akumuliatoriaus apsaugos sistemos instrukcijas.

PASTABA: Ši mašina turi automatinio išjungimo funkciją. Siekiant išvengti atsitiktinio paleidimo, pagrindinis maitinimo jungiklis automatiškai išsijungia, jei svirtinis jungiklis ir eigos svirtelė (jei ji įrengta) nėra patraukiami per tam tikrą laiką po pagrindinio maitinimo jungiklio įjungimo.

Režimo perjungimo mygtukas

Darbo režimą galite perjungti, paspausdami režimo perjungimo mygtuką. Įjungus mašiną, ji pasileidžia įprastiniu režimu. Paspaudus režimo perjungimo mygtuką, mašina pereina į triukšmo slopinimo režimą, o režimo perjungimo lemputė dega žalia spalva. Dirbdami triukšmo slopinimo režimu galite sumažinti pjovimo keliamą triukšmą. Dar kartą paspaudus režimo perjungimo mygtuką, mašina grįš į įprastinį režimą.

Likusios akumuliatoriaus galios rodymas

Paspauskite tikrinimo mygtuką, kad būtų rodoma likusi akumuliatoriaus energija. Akumuliatorių indikatoriai parodo atitinkamo akumuliatoriaus galia.

Akumuliatoriaus indikatorius būseną		Likusi akumuliatorių galia
Šviečia	Nešviečia	
		50–100 %
		20 - 50 %
		0 - 20 %

PASTABA: Likusios akumuliatoriaus galios indikatorių lemputės yra tik informaciniais tikslais. Faktinė likusi akumuliatoriaus galia gali skirtis priklausomai nuo naudojimo sąlygų.

PASTABA: Prieš paspausdami tikrinimo mygtuką, kad būtų parodyta likusi akumuliatoriaus galia, sustabdykite mašiną.

Jungiklio veikimas

⚠ISPĖJIMAS: Prieš įdėdami akumuliatoriaus kasetę, visada patikrinkite, ar svirtinis jungiklis veikia tinkamai ir atleistas sugrįžta į pradinę padėtį. Naudojant mašiną, kurios jungiklis netinkamai veikia, galima jos nesuvaldyti ir sunkiai susižaloti.

PASTABA: Nepaspaudus įjungimo mygtuko, vejąpovė nepasileidžia net ir patraukus už svirtinio jungiklio.

PASTABA: Vejąpovės variklis gali būti neužvestas dėl perkrovos, kai vienu metu pjaunote ilgai ar tankią žolę. Tokiu atveju padidinkite pjovimo aukštį.

Šioje vejąpovėje yra blokavimo raktelis ir rankenos jungiklis. Jeigu pastebėtumėte, kad blokavimo raktelis arba jungiklis veikia neįprastai, tuoj pat nutraukite darbą ir pasirūpinkite, kad jie būtų patikrinti artimiausiame „Makita“ įgaliotajame techninės priežiūros centre.

Modeliams DLM462/DLM532

- Įdėkite akumuliatoriaus kasetes. Įkiškite blokavimo raktelį, tada uždenkite akumuliatoriaus dangtelį.
- Pasukdami akumuliatoriaus pasirinkimo jungiklį pasirinkite, kurias akumuliatoriaus kasetes naudosite dirbdami.
- Paspauskite pagrindinį maitinimo jungiklį.
- Laikydami nuspaudę įjungimo mygtuką, traukite svirtinį jungiklį savęs link. Kai tik variklis pasileidžia, įjungimo mygtuką atleiskite.

► **Pav.19:** 1. Mygtukas 2. Svirtinis jungiklis

PASTABA: Jei blokavimo raktelis neįkištas, patraukus perjungimo svirtį, sumirksi maitinimo lemputė.

5. Laikydami svirtinį jungiklį, pastumkite eigos svirtelę pirmyn ir laikykite, kad pajudėtų užpakaliniai ratai.
► **Pav.20:** 1. Eigos svirtelė

PASTABA: Užpakalinius ratus galite judinti stumdami eigos svirtelę pirmyn ir ją laikydami, bet netraukdami svirtinio jungiklio.

6. Norėdami sustabdyti mašiną, atleiskite eigos svirtelę ir svirtinį jungiklį.

Modeliui DLM530

- Įdėkite akumulatoriaus kasetes. Įkiškite blokavimo raktelį, tada uždenkite akumulatoriaus dangtelį.
- Pasukdami akumulatoriaus pasirinkimo jungiklį pasirinkite, kurias akumulatoriaus kasetes naudosite dirbdami.
- Paspauskite pagrindinį maitinimo jungiklį.
- Laikydami nuspaudę įjungimo mygtuką, traukite svirtinį jungiklį savęs link. Kai tik variklis pasileidžia, įjungimo mygtuką atleiskite.
► **Pav.21:** 1. Mygtukas 2. Svirtinis jungiklis

PASTABA: Jei blokavimo raktelis neįkištas, patraukus perjungimo svirtį, sumirksi maitinimo lemputė.

5. Jeigu norite išjungti variklį, atleiskite svirtinį jungiklį.

Žolės pjovimo aukščio reguliavimas

⚠PERSPĖJIMAS: Reguluodami žolės pjovimo aukštį, niekada neikiškite rankų ar kojų po vejapjovės korpusu.

⚠PERSPĖJIMAS: Prieš pradėdami darbą, visada išitikinkite, ar svirtis tinkamai įtaisyta griovelyje.

Žolės pjovimo aukštį galima reguliuoti nuo 20 mm iki 100 mm.

Ištraukite blokavimo raktelį, tada traukite pjovimo aukščio reguliavimo svirtelę vejapjovės korpuso išorėje ir nustatykite į norimą pjovimo aukštį.

- **Pav.22:** 1. Pjovimo aukščio reguliavimo svirtis

Toliau pateiktoje lentelėje parodytas ryšys tarp skaičių, esančių ant vejapjovės korpuso, ir apytikslio pjovimo aukščio.

Skaičius	Pjovimo aukštis
1	20 mm
2	26 mm
3	32 mm
4	39 mm
5	47 mm
6	55 mm
7	63 mm
8	74 mm
9	86 mm
10	100 mm

Viena ranka laikykite priekinę arba apatinę rankena, o kita ranka stumkite pjovimo aukščio reguliavimo svirtį.
► **Pav.23:** 1. Pjovimo aukščio reguliavimo svirtis
2. Apatinė rankena 3. Priekinė rankena

PASTABA: Žolės pjovimo aukščio paveikslėliai yra tik orientacinio pobūdžio. Atsižvelgiant į vejos ar žemės paviršiaus sąlygas, faktinis vejos aukštis gali šiek tiek skirtis nuo nustatytojo.

PASTABA: Pradžioje pabandykite pjauti žolę mažiau pastebimoje vietoje, kad nustatytumėte pageidaujamą aukštį.

Žolės lygio indikatorius

Žolės lygio indikatorius rodo nupjautą žolės tūrį. Kai žolės surinkimo krepšys nepilnas, peiliams sukantis indikatorius plevėna.

- **Pav.24:** 1. Žolės lygio indikatorius

Kai žolės surinkimo krepšys beveik pilnas, peiliams sukantis indikatorius neplevena. Tokiu atveju nedelsdami nutraukite darbą ir ištuštinkite krepšį.

- **Pav.25:** 1. Žolės lygio indikatorius

PASTABA: Šis indikatorius nėra tikslus kontrolinis įtaisas. Atsižvelgiant į krepšio viduje esančias sąlygas, šis indikatorius gali veikti netinkamai.

Rankenos aukščio reguliavimas

⚠PERSPĖJIMAS: Prieš atsukdami varžtus, tvirtai suimkite už viršutinės rankenos. Priešingu atveju rankena gali nukristi ir sužaloti.

Rankenos aukštį galima nustatyti į du lygius.

- 13 dydžio veržliarakčiu išimkite viršutinius apatinės rankenos varžtus, tada atlaisvinkite apatinius varžtus.

- **Pav.26:** 1. Viršutinis varžtas 2. Apatinis varžtas

2. Sureguliuokite rankenos aukštį, tada tvirtai pri-veržkite viršutinius ir apatinius varžtus.

Važiavimo greičio reguliavimas

Modeliams DLM462/DLM532

- **Pav.27:** 1. Greičio svirtelė

Važiavimo greitį galima reguliuoti greičio svirtelė. Jei norite sumažinti greitį, patraukite svirtelę savęs link, o jei norite padidinti greitį, pastumkite svirtelę pirmyn.

Mulčiavimo kaiščio naudojimas

Mulčiavimo kaištis leidžia grąžinti nupjautą žolę ant žemės paviršiaus, kad ji nesikaupytų žolės surinkimo krepšyje. Mašiną naudojant su mulčiavimo kaiščiu, būtina nuimti žolės surinkimo krepšį.

PASTABA: Mašiną naudodami su mulčiavimo kaiščiu, užtikrinkite, kad bendras žolės aukštis būtų 30 mm ar didesnis, o pjovimo ilgis būtų 15 mm ar mažesnis.

- **Pav.28:** (1) 30 mm ar daugiau (2) 15 mm ar mažiau

Išmetimo priedai naudojimas

Modeliams DLM530/DLM532

Išmetimo priedais leidžia išmesti nupjautą žolę ant žemės paviršiaus iš dešinės mašinos pusės, kad ji nesikaupytų žolės surinkimo krepšyje. Mašiną naudojant su išmetimo priedu, būtina sumontuoti mulčiavimo kaištį ir nuimti žolės surinkimo krepšį.

Elektroninė funkcija

Mašina turi paprastas naudoti elektronines funkcijas.

- Peilio sukimosi pastovaus greičio reguliavimas Elektroninis greičio reguliavimas pastoviam greičiui užtikrinti. Galima tiksliai nušifuoti paviršių, nes sukimosi greitis būna vienodas, net esant didelei apkrovai.
- Švelnus paleidimas įjungus Švelnaus paleidimo funkcija iki minimumo sumažina paleidimo smūgį ir leidžia sklandžiai paleisti mašiną.
- Elektrinis stabdiklis Šioje mašinoje įrengtas elektrinis stabdiklis. Jei kaskart atleidus svirtinį jungiklį mašina ne iškart sustabdo veją, peilius pristatykite ją į gailiotąjį „Makita“ techninės priežiūros centrą, kad atliktų techninę priežiūrą.

NAUDOJIMAS

Žolės pjovimas

⚠️ JSPĖJIMAS: Prieš pradėdami pjauti žolę, surinkite nuo vejos šakas ir akmenis. Prieš pradėdami pjauti žolę, taip pat ištraukite visas piktžoles.

⚠️ JSPĖJIMAS: Naudodami veją, visada dėvėkite apsauginius akinius arba apsauginius akinius su šoniniais apsauginiais skydais.

⚠️ PERSPĖJIMAS: Jei nupjauta žolė ar svetimkūnis užblokuoja veją, korpuso vidų, prieš pašalindami žolę ar svetimkūnį, būtinai nuimkite blokavimo raktą ir akumulatoriaus kasetę ir šalindami žolę ar svetimkūnį mūvėkite pirštines.

PASTABA: Įrenginį naudokite tik veją pjauti. Šiuo įrenginiu nepjaukite piktžolių.

► Pav.29

Pjaudami žolę, tvirtai abiem rankomis laikykite rankeną. Pjovimo greičio orientyras yra maždaug 7–14 metrų per 10 sekundžių.

► Pav.30

Priekinių ratų vidurio linijos yra pjovimo pločio orientyrai. Vadovaudamiesi vidurio linijomis kaip orientyrais, pjaukite juostomis. Jei norite tolygiai nupjauti veją, pjaunant naują juostą, turi persidengti nuo pusės iki trečdaliao ankstesnės juostos.

- Pav.31: 1. Pjovimo plotis 2. Persidengianti sritis 3. Vidurio linija

Kaskart pakeiskite pjovimo kryptį, kad vejos pjovimo raštas nesusiformuotų tik viena kryptimi.

► Pav.32

Reguliariai tikrinkite nupjautos žolės surinkimo krepšį. Ištuštinkite krepšį, kol jis dar nėra pilnas. Prieš kiekvieną reguliary patikrinimą būtinai sustabdykite veją, tada ištraukite fiksavimo raktą ir akumulatoriaus kasetę.

PASTABA: Naudojant veją su pilnu žolės surinkimo krepšiu, peiliai negali tolygiai sukis, o varikliui tenka papildoma apkrova, todėl jis gali sugesti.

Aukštos žolės pjovimas

Nebandykite nupjauti aukštos žolės per vieną kartą. Vietoj to pjaukite žolę etapais. Tarp pjovimų darykite vienos arba dviejų dienų pertraukas, kol žolė bus tolygiai trumpai nupjauta.

► Pav.33

PASTABA: Nupjovus ilgą žolę iki trumpo ilgio per vieną kartą, ji gali nuvysti. Nupjauta žolė taip pat gali susikaupiti veją, korpusė.

Žolės surinkimo krepšio ištuštinimas

⚠️ JSPĖJIMAS: Norėdami sumažinti nelaimingų atsitikimų pavojų, reguliariai tikrinkite žolės surinkimo krepšį, ar jis nesugadintas arba nesusilpnėjęs. Jei reikia, pakeiskite žolės surinkimo krepšį.

1. Atleiskite svirtinį jungiklį ir eigos svirtelę (modeliuose DLM462/DLM532) arba atleiskite svirtinį jungiklį (modelyje DLM530).
2. Ištraukite fiksavimo raktą.
3. Atidarykite galinį gaubtą ir nuimkite žolės surinkimo krepšį, suėmę jį už jo rankenos.
► Pav.34: 1. Galinis dangtelis 2. Rankena 3. Žolės surinkimo krepšys
4. Išpilkite žolę iš žolės surinkimo krepšio.

TECHNINĖ PRIEŽIŪRA

⚠️ JSPĖJIMAS: Prieš pastatydami veją į vietą arba ją nešdami, prieš pradėdami jos tikrinimo arba techninės priežiūros darbus, visuomet įsitinkite, ar blokavimo raktas ištrauktas, o akumulatoriaus kasetė išimta.

⚠️ JSPĖJIMAS: Kai veją nenaudojate, visada išimkite fiksavimo raktą. Fiksavimo raktą laikykite saugioje, vaikams nepasiekiamoje vietoje.

⚠️ JSPĖJIMAS: Atikdami patikrinimo arba techninės priežiūros darbus, mūvėkite pirštines.

⚠️ JSPĖJIMAS: Naudodami arba prižiūrėdami veją, visada dėvėkite apsauginius akinius arba apsauginius akinius su šoniniais apsauginiais skydais.

PASTABA: Niekada nenaudokite gazolino, benzino, tirpiklio, spirito arba panašių medžiagų. Gali atsirasti išblukimų, deformacijų arba įtrūkimų.

Kad gaminyt būtų SAUGUS ir PATIKIMAS, jį taisyti, apžiūrėti ar vykdyti bet kokią kitą priežiūrą ar derinimą turi įgaliotasis kompanijos „Makita“ techninės priežiūros centras; reikia naudoti tik kompanijos „Makita“ pagamintas atsargines dalis.

Priežiūra

1. Ištraukite blokavimo raktą ir akumulatoriaus kasetes, tada uždenkite akumulatoriaus skyriaus gaubtą.
2. Paverskite vejjapovę ant šono taip, kad pjovimo aukščio reguliavimo svirtis būtų viršuje. Išvalykite žolės nuopojas, susikaupusias vejjapovės dugno apatinėje pusėje.
3. Pilkite vandenį mašinos apačios link, kur pritvirtintas peilis.

PASTABA: Neplaukite mašinos aukšto slėgio vandeniu.

4. Patikrinkite, ar tvirtai priveržtos visos veržlės, varžtai, sraigčiai ir pan.
5. Apžiūrėkite visas judamąsias dalis, ar jos nėra sugadintos, sulūžusios ar nusidėvėjusios. Sugadintas arba trūkstamas dalis reikia remontuoti arba keisti naujomis.
6. Vejjapovę laikykite saugioje, vaikams nepasiekiamoje vietoje.

Modeliams DLM462/DLM532

PASTABA: Nepilkite vandens į sritį, parodytą paveikslėlyje. Įpylus vandens į variklio bloką, mašina gali sugesti.

- **Pav.35:** 1. Sritis, į kurią negalima pilti vandens

Vejjapovės nešimas

Nešant vejjapovę, priekinę ir galinę rankeną turi laikyti du žmonės, kaip parodyta paveikslėlyje.

- **Pav.36:** 1. Priekinė rankena 2. Galinė rankena

Laikymas

Vejjapovę laikykite vėsioje, sausoje rakinamoje patalpoje. Vejjapovės ir kroviklio nelaikykite tokiose vietose, kur temperatūra gali siekti arba viršyti 40 °C.

Vejjapovės peilio uždėjimas ir nuėmimas

▲ISPĖJIMAS: Atleidus jungiklį, peilis sukasi iš inercijos dar kelias sekundes. Kol peilis visiškai nesustojo, nepradėkite dirbti.

▲ISPĖJIMAS: Nuimdami arba montuodami peilį, visada ištraukite fiksavimo raktą ir akumulatoriaus kasetę. Neištraukus fiksavimo rakto ir akumulatoriaus kasetės, galima sunkiai susižeisti.

▲ISPĖJIMAS: Montuodami peilį, visuomet mūvėkite pirštines.

Vejjapovės peilio nuėmimas

Modeliams, kuriuose sumontuotas tiesus vejjapovės peilis

1. Paverskite vejjapovę ant šono taip, kad žolės pjovimo aukščio reguliavimo svirtis būtų viršuje.
2. Kad peilis nepasisuktų, į vejjapovės korpuse esančią angą įkiškite smaigą.
3. 17 dydžio veržliarakčiu pasukite varžtą prieš laikrodžio rodyklę.
► **Pav.37:** 1. Vejjapovės peilis 2. Smaigas 3. Veržliaraktis
4. Išimkite varžtą, tada nuimkite vejjapovės peilį.
► **Pav.38:** 1. Peilio atrama 2. Vejjapovės peilis 3. Varžtas 4. Iškyša

PASTABA: Kai montuojate vejjapovės peilį, įsitikinkite, kad iškyšos ant peilio atramos įlenda į angas ant vejjapovės peilio.

Modeliams, kuriuose sumontuoti atšokantys vejjapovės peiliai

1. Paverskite vejjapovę ant šono taip, kad žolės pjovimo aukščio reguliavimo svirtis būtų viršuje.
2. Kad pagrindo plokštelė nepasisuktų, per pagrindo plokštelės angą įkiškite smaigą į vejjapovės korpuse esančią angą.
3. 17 dydžio veržliarakčiu pasukite varžtą prieš laikrodžio rodyklę.
► **Pav.39:** 1. Smaigas 2. Pagrindo plokštelė 3. Veržliaraktis
4. Išimkite varžtą, tada nuimkite pagrindo plokštelę.
► **Pav.40:** 1. Peilio atrama 2. Pagrindo plokštelė 3. Varžtas 4. Iškyša

PASTABA: Kai montuojate vejjapovės peilius, įsitikinkite, kad iškyšos ant peilio atramos įlenda į angas ant pagrindo plokštelių.

5. Jei norite nuimti pavienį vejjapovės peilį, laikykite pagrindo plokštelę ir 17 dydžio veržliarakčiu pasukite varžtą prieš laikrodžio rodyklę.
► **Pav.41:** 1. Pagrindo plokštelė 2. Vejjapovės peilis 3. Veržliaraktis
6. Eilės tvarka nuimkite veržlę, poveržlę, spyruoklinę poveržlę, vejjapovės peilį ir varžtą.
► **Pav.42:** 1. Varžto anga 2. Varžtas 3. Vejjapovės peilis 4. Spyruoklinė poveržlė 5. Poveržlė 6. Veržlė

PASTABA: Kai montuojate pavienius vejjapovės peilius, veržlės priveržkite 30 N•m sukimo momentu.

PASTABA: Montuodami pavienį vejjapovės peilį, būtina uždėkite spyruoklinę poveržlę paveikslėlyje parodyta kryptimi.

PASTABA: Montuodami pavienį vejjapovės peilį, būtina įkiškite varžtus į varžtų angas, kaip parodyta paveikslėlyje.

Vejapjovės peilio įdėjimas

▲ISPĖJIMAS: Uždėdami vejapjovės peilį būkite atidūs. Jis turi viršutinę / apatinę puses.

▲ISPĖJIMAS: Tvirtai priveržkite varžtą, sukdamai jį pagal laikrodžio rodyklę, kad užfiksuotumėte peilį.

▲ISPĖJIMAS: Įsitikinkite, kad vejapjovės peilis ir visos tvirtinamosios dalys tinkamai uždėtos ir tvirtai priveržtos.

▲ISPĖJIMAS: Keisdami peilius visada laikykite šioje vadove pateiktą instrukciją.

PASTABA: Sumontavę vejapjovės peilius, ištraukite smaigalį iš vejapjovės korpuso.

Norėdami sumontuoti vejapjovės peilius, atlikite nuėmimo procedūrą atvirkštine tvarka.

GEDIMŲ ŠALINIMAS

Prieš kreipdamiesi dėl remonto darbų, pirmiausia patikrinkite gedimus patys. Jeigu susidursite su problema, kuri nėra paaiškinta vadove, nemėginkite išrinkti mašinos. Verčiau kreipkitės į įgaliotuosius „Makita“ techninės priežiūros centrus, kuriuose remontui visuomet naudojamos „Makita“ pakaitinės dalys.

Neįprasta būklė	Tikėtina priežastis (triktis)	Ištaisomoji priemonė
Vejapjovė neįsijungia.	Neįdėtos dvi akumuliatoriaus kasetės.	Įdėkite dvi įkrautas akumuliatoriaus kasetes.
	Akumuliatoriaus problema (per maža įtampa)	Įkraukite akumuliatoriaus kasetę. Jei įkrovimas nepadeda, pakeiskite akumuliatoriaus kasetę.
	Neįkištas blokavimo raktelis.	Įkiškite blokavimo raktelį.
	Akumuliatoriaus pasirinkimo jungiklis netinkamoje padėtyje.	Akumuliatoriaus pasirinkimo jungikliu pasirinkite akumuliatoriaus angą, į kurią įdėtos akumuliatoriaus kasetės.
Trumpai panaudojus variklis nustoja veikęs.	Žemas akumuliatoriaus įkrovos lygis.	Įkraukite akumuliatoriaus kasetę. Jei įkrovimas nepadeda, pakeiskite akumuliatoriaus kasetę.
	Įjovimo aukštis per mažas.	Padidinkite įjovimo aukštį.
	Nupjauta žolė vejapjovėje sudarė kamštį.	Pašalinkite iš vejapjovės nupjautos žolės kamštį.
Variklis nepasiekia didžiausio sūkių skaičiaus per minutę.	Netinkamai įdėta akumuliatoriaus kasetė.	Akumuliatoriaus kasetę įdėkite, kaip aprašyta šiame vadove.
	Mažėja akumuliatoriaus galia.	Įkraukite akumuliatoriaus kasetę. Jei įkrovimas nepadeda, pakeiskite akumuliatoriaus kasetę.
	Netinkamai veikia pavaros sistema.	Dėl remonto kreipkitės į vietinį įgaliotąjį techninės priežiūros centrą.
Vejapjovės peilis nesisuka: ⇒ nedelsdami sustabdykite vejapjovę!	Šalia peilio įstrigo pašalinis objektas, pvz., šaka.	Pašalinkite pašalinį objektą.
	Netinkamai veikia pavaros sistema.	Dėl remonto kreipkitės į vietinį įgaliotąjį techninės priežiūros centrą.
Neįprasta vibracija: ⇒ nedelsdami sustabdykite vejapjovę!	Peilis nesubalansuotas, pernelyg ar netolygiai nusidėvėjęs.	Pakeiskite peilį.

PASIRENKAMI PRIEDAI

▲PERSPĖJIMAS: Su šioje vadove nurodyta „Makita“ mašina rekomenduojama naudoti šiuos įtaisus arba priedus. Naudojant bet kokius kitus įtaisus arba priedus, gali kilti pavojus sužaloti žmogus. Įtaisus arba priedus naudokite tik pagal nurodytą paskirtį.

Jeigu norite daugiau sužinoti apie tuos priedus, kreipkitės į artimiausią „Makita“ techninės priežiūros centrą.

- Vejapjovės peilis
- Originalūs „Makita“ akumuliatorius ir įkroviklis

PASTABA: Kai kurie sąrašė esantys priedai gali būti pristatomi gaminio pakuotėje kaip standartiniai priedai. Įvairiose šalyse jie gali skirtis.

TEHNILISED ANDMED

Mudel:		DLM462	DLM530	DLM532
Niitmislaius (tera läbimõõt)		460 mm	534 mm	
Koommuseta kiirus		2 500 min ⁻¹	2 300 min ⁻¹	
Suurim kiirus		3 300 min ⁻¹	2 800 min ⁻¹	
Vahetatava niiduki tera osa number	Sirge niiduki tera	191D51-9	191D52-7	
	Tagasipööratud niiduki terad *1	191D49-6	191D50-1	
	Tagasipööratud niiduki terad *2	191D47-0	191D48-8	
Mõõtmed (P × L × K)		P: 1 610 mm kuni 1 690 mm L: 535 mm K: 980 mm kuni 1 095 mm	P: 1 630 mm kuni 1 715 mm L: 590 mm K: 990 mm kuni 1 095 mm	
Liikumiskiirus		2,5 – 5,0 km/h	–	2,5 – 5,0 km/h
Nimipinge		Alalisvool 36 V		
Netokaal	Kui paigaldatud on sirge niiduki tera	35,3 – 39,0 kg	35,5 – 39,3 kg	39,0 – 42,8 kg
	Kui paigaldatud on tagasipööratud niiduki terad	36,0 – 39,7 kg	36,2 – 40,0 kg	39,7 – 43,5 kg
Kaitseaste		IPX4		

*1. Alusplaat ja üksikud niiduki terad.

- Meie pideva uuringu- ja arendusprogrammi tõttu võidakse tehnilisi andmeid muuta ilma sellest ette teatamata.
- Tehnilised andmed võivad riigiti erineda.
- Kaal võib erineda olenevalt lisaseadistest, kaasa arvatud akukassetist. Kergeim ja raskeim kombinatsioon EPTA-protseduuri 01/2014 kohaselt on toodud tabelis.

*2. Ainult üksikud niiduki terad.

Sobiv akukassett

BL1815N / BL1820 / BL1820B / BL1830 / BL1830B / BL1840 / BL1840B / BL1850 / BL1850B / BL1860B

- Mõned eespool loetletud akukassetid ei pruugi olla teie riigis saadaval.

⚠ HOIATUS: Kasutage ainult ülalpool loetletud akukasseid. Muude akukassetide kasutamine võib tekitada vigastusi ja/või tulekahju.

Sümbolid

Alljärgnevalt kirjeldatakse seadmetel kasutatavaid tingimärke. Veenduge, et olete nende tähendusest aru saanud enne seadme kasutamist.



Olge äärmiselt ettevaatlik ja tähelepanelik.



Lugege juhendit.



Ohtlik; pidage silmas õhkupaikuvaid objekte.



Seadme ja kõrvalseisjate vaheline vahekaugus peab olema vähemalt 15 m.



Ärge pange kunagi käsi või jalgu niiduki all oleva tera lähedusse. Terad jätkavad pöörlemist ka pärast mootori väljalülitamist.



Eemaldage lukustusvõti enne niiduki kontrollimist, reguleerimist, puhastamist, hooldamist, järelevalveta jätmist ja houstamist.



Elektrilöögihoht. Kokkupuude veega võib põhjustada elektrilöögi.



Ärge valage sellele vett.



Ainult EL-i riikide puhul
Ärge visake elektriseadmeid ja akusid ära koos majapidamisjäätmetega!
Vastavalt Euroopa Parlamendi ja Nõukogu direktiividele elektri- ja elektroonikaseadmete jäätmete kohta ning patareide ja akude ning patareid- ja akujäätmete kohta ning nende nõuete kohaldamisele liikmesriikides tuleb kasutuskoõlbmatuks muutunud elektriseadmed ja akud koguda eraldi ning keskkonnasäästlikult korduv kasutada või ringlusse võtta.

Kavandatud kasutus

Masin on ette nähtud muru niitmiseks.

Müra

Tüüpiline A-korrigeeritud müratase, määratud standardi EN60335-2-77 kohaselt:

MÄRKUS: Väärtuseid on mõõdetud muruniidukiga, millel on sirge niiduki tera.

Mudel DLM462

Helirõhutase (L_{pA}): 82,7 dB (A)
Helivõimsuse tase (L_{WA}): 90,9 dB (A)
Määramatus (K): 3 dB (A)

Mudel DLM530

Helirõhutase (L_{pA}): 78,1 dB (A)
Helivõimsuse tase (L_{WA}): 90,4 dB (A)
Määramatus (K): 3 dB (A)

Mudel DLM532

Helirõhutase (L_{pA}): 78,1 dB (A)
Helivõimsuse tase (L_{WA}): 90,4 dB (A)
Määramatus (K): 3 dB (A)

Töötamisel võib müratase ületada 80 dB (A).

MÄRKUS: Deklareeritud müra väärtust (väärtuseid) on mõõdetud kooskõlas standardse katsemeetodiga ning seda võib kasutada ühe seadme võrdlemiseks teisega.

MÄRKUS: Deklareeritud müra väärtust (väärtuseid) võib kasutada ka mürataseme esmaseks hindamiseks.

⚠️HOIATUS: Kasutage kõrvakaitsmeid.

⚠️HOIATUS: Müratase võib elektritööriista tegelikkuses kasutamise ajal erineda deklareeritud väärtus(t)est olenevalt tööriista kasutusviisidest ja eriti töödeldavast toorikust.

⚠️HOIATUS: Rakendage operaatori kaitsmiseks kindlasti piisavaid ohutusabinõusid, mis põhinevad hinnangulisel müratasemel tegelikus tööolukorras (võttes arvesse tööperioodi kõiki osasid, näiteks korrad, kui seade lülitatakse välja ja seade töötab tühikäigul, lisaks tööajale).

Vibratsioon

Vibratsiooni koguväärtus (kolmeteljeliste vektorite summa) määratud standardi EN60335-2-77 kohaselt:

MÄRKUS: Väärtuseid on mõõdetud muruniidukiga, millel on sirge niiduki tera.

Mudel DLM462

Vibratsiooniheid (a_n): 2,5 m/s² või vähem
Määramatus (K): 1,5 m/s²

Mudel DLM530

Vibratsiooniheid (a_n): 2,5 m/s² või vähem
Määramatus (K): 1,5 m/s²

Mudel DLM532

Vibratsiooniheid (a_n): 2,5 m/s² või vähem
Määramatus (K): 1,5 m/s²

MÄRKUS: Deklareeritud vibratsiooni koguväärtust (-väärtuseid) on mõõdetud kooskõlas standardse katsemeetodiga ning seda võib kasutada ühe seadme võrdlemiseks teisega.

MÄRKUS: Deklareeritud vibratsiooni koguväärtust (-väärtuseid) võib kasutada ka mürataseme esmaseks hindamiseks.

⚠️HOIATUS: Vibratsioonitase võib elektritööriista tegelikkuses kasutamise ajal erineda deklareeritud väärtus(t)est olenevalt tööriista kasutusviisidest ja eriti töödeldavast toorikust.

⚠️HOIATUS: Rakendage operaatori kaitsmiseks kindlasti piisavaid ohutusabinõusid, mis põhinevad hinnangulisel müratasemel tegelikus tööolukorras (võttes arvesse tööperioodi kõiki osasid, näiteks korrad, kui seade lülitatakse välja ja seade töötab tühikäigul, lisaks tööajale).

EÜ vastavusdeklaratsioon

Ainult Euroopa riikide puhul

EÜ vastavusdeklaratsioon sisaldub käesoleva juhendi Lisas A.

OHUTUSHOIATUSED

TÄHTSAD OHUTUSJUHISED

⚠️HOIATUS: Lugege läbi kõik ohutushoiatused ja juhtnõidid. Hoiatuste ja juhtnõitude mittejärgmine võib põhjustada elektrišokki, tulekahju ja/või tõsisid vigastusi.

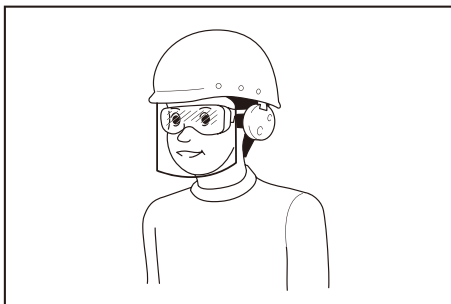
Hoidke edaspidisteks viideteks alles kõik hoiatused ja juhtnõidid.

Õpe

1. Lugege tähelepanelikult juhiseid. Õppige põhjalikult tundma niiduki juhtimiseadiseid ja õiget kasutamist.
2. Mitte mingil juhul ärge lubage niidukit kasutada lastel ega isikutel, kes pole tutvunud kasutusjuhendiga. Kohalikud määrused võivad seada piiranguid kasutaja vanusele.
3. Ärge kunagi kasutage niidukit siis, kui läheduses viibivad inimesed (eriti lapsed) või lemmikloomad.
4. Pidage meeles, et muruniiduki omanik või kasutaja vastutab teistele isikutele põhjustatud vigastuste või nende varale tekitatud kahjustuste eest.
5. Jälgige, et lapsed niidukiga ei mängiks.
6. Füüsiline seisund – ärge kasutage niidukit, kui olete uimastite, alkoholi või ravimite mõju all.

Ettevalmistus

1. Kandke niidukiga töötamise ajal alati tugevaid jalatseid ja pikki pükse. Ärge töötage niidukiga, kui olete paljajalu või kannate lahtisi sandaale. Vältige liiga avarate ja rippuvate lipsude või nõõridega riiete või ehete kandmist. Need võivad liikuvate osade vahele kinni jääda.
2. Enne kasutamist kontrollige visuaalselt, et niiduki kaitsmed ega katted poleks kahjustunud, kadunud või vales kohas.
3. Enne niitmise alustamist veenduge, et niideta-val alal poleks teisi inimesi. Seisake niiduk, kui keegi siseneb niidetavale alale.
4. Ärge sisestage lukustusvõtit niidukisse, kuni see pole kasutamiseks valmis.
5. Kandke elektritööriistu kasutades oma silmade vigastuste eest kaitsmiseks alati kaitseprille. Prillid peavad vastama USA-s standardile ANSI Z87.1, Euroopas standardile EN 166 või Austraalias/Uus-Meremaal standardile AS/NZS 1336. Austraalias/Uus-Meremaal on näo kaitsmiseks seadusega nõutud ka näokaitsme kasutamine.



Töandja kohustus on nõuda, et tööriista operaatorid ja teised tööpiirkonnas viibivad isikud kannaksid sobivat ohutusvarustust.

6. Kontrollige lõiketerasid või terapolte enne kasutamist hoolikalt mõrade või kahjustuste suhtes. Vahetage mõranenud või kahjustatud lõiketerad või lõiketerade poldid kohe välja.
7. Eemaldage võõrkehaded (nt kivid, traadijupid, pudelik, luud ja suuremad oksad) niidetaval alal enne niitmise alustamist, et vältida tervisekahjustusi ja niiduki kahjustamist.
8. Kui niiduki lõiketera tabab mõnda eset, võib see põhjustada tõsiseid tervisekahjustusi. Muru tuleb enne niitmist alati tähelepanelikult kontrollida ja kõigist esemetest puhastada.
9. Jälgige auke, rõõpaid, muhke, kive või muid varjatud esemeid. Ebatasane maapind võib põhjustada libisemist ja kukkumist. Pika muru sisse võivad olla peidetud takistused.
10. Ärge sisestage ega eemaldage lukustusvõtit vihma käes.
11. Kasutage isikukaitsvahendeid. Kandke alati silmakaitsmeid. Kaitsevahendid, näiteks oludesse sobiv tolmumask, libisemiskindlad turvajalatsid, kõva peakate või kõrvaklapid, vähendavad tervisekahjustusi.

Kasutamine

1. Ärge küünitage liiga kaugele ette. Hoidke alati tasakaalu. Jälgige kallakutel alati, et teil oleks kindel jalgealune. Kõndige, ärge kunagi jookske.
2. Seisake niiduk ja eemaldage lukustusvõti ning veenduge, et kõik liikuvad osad oleks täielikult peatunud:
 - alati, kui niiduki juurest lahkute;
 - enne niidukist takistuste või väljaviskerennist ummistuste eemaldamist;
 - enne niiduki kontrollimist, puhastamist või hooldamist;
 - pärast seda, kui lõiketera on võõrkeha tabanud. Kontrollige, et niidukil poleks kahjustusi, ning tehke kõik vajalikud remonditööd enne selle taaskäivitamist ja niitmise jätkamist,
 - alati kui niiduk hakkab ebatavaliselt vibreerima.
3. Ärge kasutage kunagi niidukit, mille kaitsekatted on defektsed või mille ohutusseadised (nt suunaja ja/või murukogur) on eemaldatud.
4. Vältige niiduki kasutamist halva ilmaga, eriti kui valitseb äikeseoht.
5. Niidukiga töötamisel peavad silmad olema alati kaitsitud ja tuleb kanda toekaid jalanõusid.
6. Töötage niidukiga ainult päevavalguses või hea tehisvalgustuse olemasolul.
7. Niiduki sisselülitamisel järgige tähelepanelikult juhtnõude ja hoidke jalad lõiketera(de)st eemal.
8. Olge tähelepanelik, et te ei vigastaks niiduki teradega oma jalgu ega käsi.
9. Kandke hoolt selle eest, et ventilatsioonivad oleksid alati prahist puhtad.
10. Niitke kallakuid küljelt küljele ja mitte kunagi ülevalt alla või alt üles. Olge kallakutel liikumissuunda muutes äärmiselt ettevaatlik. Ärge niitke liiga järskudel kallakutel.
11. Olge eriti ettevaatlik niidukit tagurpidi liigutades või enda poole tõmmates.
12. Seisake lõiketera(d), kui niidukit tuleb kallutada, et liikuda üle alade, mis ei ole muruga kaetud, ning siis, kui viite niidukit niitmisalale või sealt ära.
13. Ärge kallutage niidukit, kui mootorit sisse lülitate, v.a juhul, kui see on käivitamiseks vajalik. Sellisel juhul ärge kallutage niidukit rohkem kui vaja ning tõstke ainult seda osa, mis jääb kasutajast eemale. Enne niiduki maapinnale tagasi asetamist veenduge alati, et mõlemad käed oleksid tööasendis.
14. Ärge pange käsi ja jalgu pöörlevate osade lähedale ega nende alla. Hoidke väljaviskeava alati takistustest puhtana.
15. Ärge transportige niidukit, kui see on sisse lülitatud.
16. Vältige niiduki kasutamist märjas rohus.
17. Hoidke alati käepidemest kindlalt kinni.
18. Ärge haarake niidukit hoides või üles tõstes katmata lõiketeradest või -servadest.
19. Hoidke käed ja jalad pöörlevatest lõiketeradest eemal. Ettevaatust! Toite väljalülitamise järel pöörlevad terad vaba hooga edasi.

20. Kui märkate midagi ebatavalist, lõpetage kohe töö. Lülitage niiduk välja ja eemaldage lukustusvõti. Seejärel kontrollige niidukit.
21. Kui niidukil on lõikekõrguse reguleerimise võimalus, ärge püüdke reguleerida niitmiskõrgust niiduki töötamise ajal.
22. Vabastage hooblüüti ja oodake lõiketera seiskumist, enne kui sõidate niidukiga üle sisesõiduteede, kõnniteede, teede või kruusaga kaetud alade. Samuti eemaldage lukustusvõti, kui lahkute niiduki juures, küünitate midagi oma teelt üles võtma või eemaldama, või mõne muu põhjuse korral, mis ei lase teil oma tegevusele keskenduda.
23. Kui niiduki lõiketera tabab võõrkeha, toimige järgmiselt:
 - Peatage niiduk, vabastage hooblüüti ja oodake, kuni lõiketera on täielikult seiskunud.
 - Eemaldage lukustusvõti ja akukassett.
 - Kontrollige niidukit põhjalikult igasuguste kahjustuste suhtes.
 - Vahetage lõiketera välja, kui see on mingil moel kahjustada saanud. Enne niiduki taaskäivitamist ja töö jätkamist parandage kõik kahjustused.
24. Ärge seiske seadet käivitamise ajal väljaviskeava ees.
25. Kui niiduk hakkab ebanormaalselt vibreerima, siis
 - kontrollige seda kohe kahjustuste suhtes;
 - asendage või parandage kõik kahjustunud osad;
 - kontrollige osade pingust ja pinguldage lah-tised osad.
26. Ärge kunagi suunake välja heidetavat materjali kellegi poole. Vältige materjali seinale või takistusele heitmist. Materjal võib kasutaja poole tagasi lennata. Kruusapindade ületamisel seisake tera.
27. Tõmmake niidukit tagasisuunas ainult äärmisel juhul. Kui peate niidukit aia või muu sarnase takistuse juurest eemale tõmbama, vaadake enne tagasisuunas liikumist alla ja seljataha.
28. Enne murupüüdu eemaldamist lülitage mootor välja ja oodake, kuni tera on täielikult peatunud. Olge ettevaatlik, sest terad liiguvad pärast väljalülitamist vabakäiguga edasi.
29. Masina kasutamisel porisel, libedal maapinnal või märjal kallakul pöörake tähelepanu kindlale jalgealusele.
30. Vältige töötamist halvas keskkonnas, kus kasutaja suurem väsimine on oodatav.
31. Ärge kasutage masinat halva ilmaga, kus nähtavus on piiratud. Muidu võib halb nähtavus põhjustada kukkumise või vale tegevuse.
32. Ärge ajage masinat sügavale lomp.
33. Kui märjad lehed või praht jäävad vihma tõttu imiavasse (tuulutusaken) kinni, siis eemaldage need.
34. Ärge kasutage masinat lumes.
35. Kui niidetud muru on märg, ummistub see tõenäoliselt masina sisse. Kontrollige regulaarselt masina seisukorda ja eemaldage vajaduse korral sinna kinni jäänud muru.

36. Masina töötamise pöörake tähelepanu torudele ja juhtmetele.
37. Ärge kasutage selle masinaga juhtmega vooluvarustust nagu akuadapter või portatiivne akukomplekt. Sellise vooluvarustuse juhe võib tööd takistada ja põhjustada kehavigastusi.

Hooldus ja hoiuandamine

1. Ohutuse tagamiseks vahetage kulunud või kahjustunud osad uute vastu. Kasutage ainult originaalvaruosi ja -tarvikuid.
2. Kontrollige ja hooldage niidukit regulaarselt.
3. Kui niidukit ei kasutata, hoidke seda lastele kättesaamatus kohas.
4. Seadme ohutu talitluse tagamiseks hoidke kõik mutrid, poldid ja kruvid tugevasti pinguldatusena.
5. Kontrollige murukogurit sageli kulumise või muul viisil kahjustumise suhtes. Enne hoiustamist veenduge alati, et murukogur oleks tühi. Ohutuse tagamiseks asendage kulunud murukogur alati tootja originaalosa-ga.
6. Kasutage ainult juhendis kirjeldatud tootja originaal lõiketeri.
7. Olge niiduki reguleerimisel ettevaatlik, et vältida sõrmede muljumist niiduki fikseeritud osade ja liikuvate lõiketerade vahele.
8. Kontrollige lõiketera fiksaatorpolტი regulaarselt korrekse pinguse suhtes.
9. Laske niidukil alati enne hoiustamist maha jahtuda.
10. Olge lõiketerade hooldamisel teadlik sellest, et kuigi toide on välja lülitatud, võivad lõiketerad siiski liikuda.
11. Ärge kunagi eemaldage ega muutke omavoliliselt kaitseeadmeid. Kontrollige nende töökorda regulaarselt. Ärge kunagi tehke midagi, mis häiriks kaitseeadme kavandatud funktsiooni või vähendaks kaitseeadme kaitsevõimet.
12. Ärge jätke masinat järelevalveta vihma kätte.
13. Ärge peske masinat kõrgsurvepesuriga.
14. Masina pesemise ajaks eemaldage aku ja lukustusvõti ning sulgege akukate. Valage vett masina põhja suunas, kuhu on kinnitatud lõiketera.
15. Masina hoiule panemisel vältige otsest päikesevalgust ja vihma ning see ei tohiks muutuda hoiukohas liiga kuumaks ega niiseks.
16. Kontrollige ja hooldage masinat vihma eest kaitstud kohas.
17. Pärast masina kasutamist eemaldage kinnitud mustus ja kuivatage masin täielikult enne hoiuandamist. Aastaajast või piirkonnast olenevalt võib külmumine tõrkeid põhjustada.

Akuga tööriista kasutamine ja hooldus

1. Laadige alati laadijaga, mille tootja on heaks kiitnud. Laadija, mis sobib kasutamiseks ühte tüüpi akuga, võib kaasa tuua tulekahjuohtu, kui seda kasutada koos mõnda teist tüüpi akuga.
2. Kasutage elektritööriista üksnes spetsiaalselt neile toodetud akudega. Mis tahes muude akude kasutamine võib tekitada tervisekahjustusi või tulekahjuohtu.

3. Kui akut ei kasutata, ärge hoidke seda koos muude metallesemetega, nagu kirjaklambrid, mündid, võtmed, naelad, kruvid jm väikesed metallesemed, mis võivad tekitada ühenduse klemmide vahel. Akuklemmide lühis võib põhjustada põletusi ja tulekahjuohtu.
4. Väärkasutamise tagajärjel võib akut valguda välja vedelikku; ärge seda puudutage. Kui olete selle vedelikuga siiski kogemata kokku puutunud, uhtke kohta veega. Kui vedelik on sattunud silma, minge arsti juurde. Akust väljavalgunud vedelik võib põhjustada ärritust ja põletusi.
5. Ärge kasutage akupaketti ega tööriista, mis on kahjustatud või muudetud. Kahjustatud või muudetud akud võivad käituda etteaimamatult, põhjustades süttimis-, plahvatus- või vigastusohu.
6. Kaitske akupaketti ja tööriista tule ja kõrge temperatuuri eest. Tule või kõrgema kui 130 °C temperatuuriga kokkupuutumine võib tuua kaasa plahvatuse.
7. Pidage kinni kõigist laadimisjuhustest ja ärge laadige akupaketti ega tööriista väljaspool juhendis märgitud temperatuurivahemikku. Valesi või väljaspool märgitud temperatuurivahemikku laadimine võib kahjustada akupaketti ja suurendada süttisohu.

Elektriohutus ja aku ohutu talitus

1. Ärge visake kasutatud akut (akusid) tulle. Element võib plahvatada. Kasutatud akude käitlemise võimalikud erinõuded leiate kohalikest eeskirjadest.
2. Akut (akusid) ei tohi avada ega kahjustada. Väljavalgunud elektrolüüt on söövitava toimega ning võib kahjustada silmi ja nahka. See võib osutada allaneelamisel mürgiseks.
3. Ärge laadige akut vihma käes ega märjas keskkonnas.
4. Ärge laadige akut välistingimustes.
5. Ärge käsitsege laadurit, sh laaduri pistikut ja laadimisterminale märgade kätega.
6. Ärge vahetage akut vihma käes.
7. Ärge tehke aku kontakte vee vm vedelikuga märjaks ega pange akut vee alla. Ärge jätke akut vihma kätte, samuti ärge laadige, kasutage ega hoiustage akut niiskes või märjas kohas. Kui aku kontakt saab märjaks või vedelik tungib aku sisse, võib aku lühistuda ning tekkida ülekuumenemise, süttimise või plahvatuse oht.
8. Pärast masinast või laadijast aku eemaldamist kinnitage akukate kindlasti akule ja hoidke akut kuivas kohas.
9. Ärge vahetage akut märgade kätega.

Hooldus

1. Laske elektritööriista hooldada eksperdil, kes kasutab vaid originaalvaruosi. Siis püsib elektritööriista ohutus.
2. Ärge hooldage kahjustatud akupakette. Akupakette võivad hooldada ainult tootja või ametlikud teenusepakkujad.

HOIDKE JUHEND ALLES.

⚠️HOIATUS: ÄRGE UNUSTAGE järgida toote ohutusnõudeid mugavuse või toote (korduskasutamise)ga saavutatud hea tundmise tõttu.

VALE KASUTUS või kasutusjuhendi ohutuseeskirjade eiramine võib põhjustada tervisekahjustusi.

Akukassetiga seotud olulised ohutusjuhised

1. Enne akukasseti kasutamist lugege (1) akulaadiljal, (2) akul ja (3) seadmel olevad juhtnõõrid ja hoiatused läbi.
2. Ärge võtke akukasseti lahti.
3. Kui tööaeg järsult lüheneb, siis lõpetage kohe kasutamine. Edasise kasutamise tulemuseks võib olla ülekuumenemisoht, võimalikud põletused või isegi plahvatus.
4. Kui elektrolüüti satub silma, siis loputage silma puhta veega ja pöörduge koheselt arsti poole. Selline õnnetus võib põhjustada pimedaksjäämist.
5. Ärge tekitage akukassetis lühist:
 - (1) Ärge puutuge klemme elektrijuhtidega.
 - (2) Ärge hoidke akukassetti tööriistakastis koos metallesemetega, nagu naelad, mündid jne.
 - (3) Ärge tehke akukassetti märjaks ega jätke seda vihma kätte.
 Aku lühis võib põhjustada tugevat elektrivoolu, ülekuumenemist, põletusi ning ka sea- det tõsiselt kahjustada.
6. Ärge hoidke tööriista ja akukassetti kohtades, kus temperatuur võib tõusta üle 50 °C.
7. Ärge põletage akukassetti isegi siis, kui see on saanud tõsiselt vigastada või on täiesti kulu- nud. Akukassett võib tules plahvatada.
8. Olge ettevaatlik, ärge laske akul maha kukkuda ja vältige lööke.
9. Ärge kasutage kahjustatud akut.
10. Sisalduvatele liitium-ioonakudele võivad kohalduda ohtlike kaupade õigusaktide nõu- ded.

Kaubanduslikul transportimisel, näiteks kolman- date poolte või transpordiettevõtete poolt, tuleb järgida pakendil ja siltidel toodud erinõudeid. Transportimiseks ettevalmistamisel on vajalik pidada nõu ohtliku materjali eksperdigaga. Samuti tuleb järgida võimalike riiklike regulatsioonide üksikasjalikumaid nõudeid.

Katke teibiga või varjake avatud kontaktid ja pakendage aku selliselt, et see ei saaks pakendis liikuda.
11. Kasutuskõlmatuks muutunud akukasseti kõrvaldamiseks eemaldage see tööriistast ja viige selleks ette nähtud kohta. Järgige kasu- tuskõlmatuks muutunud aku kõrvaldamisel kohalike eeskirju.
12. Kasutage akusid ainult Makita heaks kiidetud toodetega. Akude paigaldamine selleks mitte ettenähtud toodetele võib põhjustada süttimist, ülemäära kuumust, plahvatamist või elektrolüüdi lekkimist.

13. Kui tööriista ei kasutata pika ajaperioodi jooksul, tuleb aku tööriistast eemaldada.

HOIDKE JUHEND ALLES.

⚠ETTEVAATUST: Kasutage ainult Makita originaalakusid. Mitte Makita originaalakude või muudetud akude kasutamine võib põhjustada akude süttimise, kehavigastuse ja kahjustuse. Samuti muudab see kehtetuks Makita tööriista ja laadija Makita garantii.

Vihjeid aku maksimaalse kasutusaja tagamise kohta

1. Laadige akukassetti enne selle täielikku tühjenemist. Kui märkate, et tööriist töötab väiksema võimsusega, peatage töö ja laadige akukassetti.
2. Ärge laadige täielikult laetud akukassetti. Ülelaadimine lühendab akude kasutusiga.
3. Laadige akukassetti toatemperatuuril 10 °C - 40 °C. Enne laadimist laske kuumenenud akukassetil maha jahtuda.
4. Kui te ei kasuta akukassetti kauem kui kuus kuud, laadige see.

KOKKUPANEK

⚠HOIATUS: Veenduge enne niidukil igasuguste tööde tegemist, et lukustusvõti ja akukassett oleks eemaldatud. Lukustusvõtme ja akukasseti eemaldamata jätmine võib põhjustada tõsiseid tervisekahjustusi, kui niiduk juhuslikult käivitub.

⚠HOIATUS: Ärge käivitage kunagi niidukit, kui see pole täielikult monteeritud. Osaliselt kokkupandud masina juhuslik käivitamine võib põhjustada tõsiseid kehavigastusi.

Käepideme paigaldamine

TÄHELEPANU: Käepidemete paigaldamisel paigutage juhtmed nii, et need ei jääks käepidemete vahel millegi külge kinni. Kui juhe on kahjustatud, ei pruugi niiduki lüliti toimida.

1. Seadke alumisel käepidemel olevad avad kohakuti niiduki kerel olevate avadega, seejärel pinguldage ajutiselt 4 polti.
▶ **Joon.1:** 1. Alumine käepide 2. Polt
2. Pinguldage tugevasti 4 polti, mis olid 1. sammus ajutiselt pinguldatud, kasutades otsvõtit 13.
3. Viige alumises käepidemes olev ava kohakuti ülemises käepidemes oleva avaga, sisestage seejärel seestpoolt poldid ja pinguldage otsvõtmega 13 väljastpoolt asuvat mutrit. Korrake sama protseduuri teisel pool.
▶ **Joon.2:** 1. Polt 2. Alumine käepide 3. Mutter 4. Ava 5. Ülemine käepide

⚠ETTEVAATUST: Hoidke ülemist käepidet kindlalt, nii et see ei kukuks teil käest maha. Muidu võib käepide maha kukkuda ja kehavigastuse põhjustada.

4. Kinnitage hoidikud käepidemele.

Viige korpusel olevad sälgud kohakuti käepidemel olevate avadega nii, et sälgud sobituksid avade sisse. Paigutage trossid joonisel näidatud asendisse.
▶ **Joon.3:** 1. Juhe 2. Hoidik

Multšimiskorgi eemaldamine

1. Avage tagakaas.
▶ **Joon.4:** 1. Tagakaas
2. Eemaldage multšimiskork, hoides samal ajal hooa all.
▶ **Joon.5:** 1. Hoob 2. Multšimiskork

Murukorvi paigaldamine või eemaldamine

Murukorvi paigaldamiseks tegutsuge järgmiselt.

1. Avage tagakaas.
▶ **Joon.6:** 1. Tagakaas
2. Hoidke murukorvi käepidemest ja seejärel haakige murukorv niiduki kerel olevale vardale, nagu on näidatud joonisel.
▶ **Joon.7:** 1. Varras 2. Käepide 3. Murukogur

Murukorvi eemaldamiseks avage tagakaas ja võtke käepidemest hoides murukorv välja.

Multšimiskorgi kinnitamine

1. Avage tagakaas ja eemaldage murukogur.
▶ **Joon.8:** 1. Tagakaas 2. Murukogur
2. Kinnitage multšimiskork hooa all hoides ja seejärel vabastage hoob multšimiskorgi lukustamiseks.
▶ **Joon.9:** 1. Hoob 2. Multšimiskork

Väljaviskeseadme kinnitamine

DLM530/DLM532 puhul

1. Avage tagakaas ja eemaldage murukogur.
▶ **Joon.10:** 1. Tagakaas 2. Murukogur
2. Kinnitage multšimiskork hooa all hoides ja seejärel vabastage hoob multšimiskorgi lukustamiseks.
▶ **Joon.11:** 1. Hoob 2. Multšimiskork
3. Avage parempoolne kate ja kinnitage väljaviskeseade.
Sisestage väljaviskeseade konksud parempoolse katte varda alla.
▶ **Joon.12:** 1. Parempoolne kate 2. Väljaviskeseade

FUNKTSIONAALNE KIRJELDUS

Akukasseti paigaldamine või eemaldamine

⚠ETTEVAATUST: Lülitage masin alati enne akukasseti paigaldamist või eemaldamist välja.

⚠ETTEVAATUST: Akukasseti paigaldamisel või eemaldamisel tuleb masinat ja akukassetti kindlalt paigal hoida. Kui masinat ja akukassetti ei hoita kindlalt paigal, võivad need käest libiseda ning kahjustada masinat ja akukassetti või põhjustada kehavigastusi.

⚠ETTEVAATUST: Enne kasutamist lukustage kindlasti akukate. Muidu võivad pori, muld või vesi põhjustada toote või akukasseti kahjustuse.

⚠ETTEVAATUST: Paigaldage akukassett alati täies ulatuses nii, et punane näidik poleks nähtaval. Muidu võib see juhuslikult masinast välja kukkuda ja põhjustada teile või läheduses viibivatele isikutele vigastusi.

⚠ETTEVAATUST: Ärge rakendage akukasseti paigaldamisel jõudu. Kui kassett ei lähe kergesti sisse, pole see õigesti paigaldatud.

MÄRKUS: See masin ei tööta ainult ühe akukassettiga.

Akukasseti paigaldamine

1. Tõmmake lukustushoob üles ja avage seejärel akukate.

► **Joon.13:** 1. Akukate 2. Lukustushoob

2. Viige akukasseti keel kohakuti masinal asuva pesaga ja lükake kassetti, kuni see klõpsatusega oma kohale kinnitub.

► **Joon.14:** (1) Akuport 1 (2) Akuport 2 (3) Akukassett

MÄRKUS: Sisestage akuport 1 või akuporti 2 vähemalt 2 akukassetti.

3. Sisestage lukustusvöti joonisel näidatud kohta nii sügavale kui võimalik.

► **Joon.15:** 1. Lukustusvöti

4. Sulgege akukate ja vajutage sellele, kuni lukustushoob selle fikseerib.

Akukasseti eemaldamiseks:

1. Tõmmake lukustushoob üles ja avage akukate.

2. Tõmmake akukassett masinast, lükates samal ajal kasseti esiküljel paiknevat nuppu.

3. Tõmmake lukustusvöti välja.

4. Sulgege akukate.

Akukassettide vahetamine

► **Joon.16:** 1. Aku valikulüliti

Masin kasutab töötamiseks 2 akukassetti korraga. Masinasse saab paigaldada kuni 4 akukassetti. Enne masinaga töötamist valige akuport 1 või akuport 2, keerates aku valiku lüliti.

MÄRKUS: Kui masinasse on paigaldatud ainult 2 akukassetti, valige aku valiku lüliti kasutades kindlasti akuport, kuhu akukassetid on sisestatud.

Masina/aku kaitsesüsteem

Masinal on masina/aku kaitsesüsteem. Süsteem lülitab mootori automaatselt välja, et pikendada masina ja aku tööiga. Masin seiskub käitamise ajal automaatselt, kui masina või aku kohta kehtib üks järgmistest tingimustest:

Ülekoormuskaitse

Kui akut kasutatakse viisil, mis põhjustab ebanormaalselt kõrget voolutaset, siis seiskub masin automaatselt ja toite märgutuli vilgub roheliselt. Sel juhul lülitage masin välja ja lõpetage masina ülekoormuse põhjustanud töö. Pärast seda käivitage masin uuesti.

Ülekuumenemiskaitse

Kui masin või aku on ülekuumenenud, seiskub masin automaatselt ja toite märgutuli süttib punaselt. Laske sellisel juhul masinal ja akul enne masina uuesti sisselülitamist jahtuda.

Ülelaadimiskaitse













Kui aku jääkmahtuvus pole piisav, seiskub masin automaatselt ja peamine toite märgutuli vilgub punaselt. Sellisel juhul eemaldage aku masinast ja laadige akukassette või vahetage akukassetid täislaetute vastu.

Aku jääkmahtuvuse näit

Ainult näidikuga akukassettidele

► **Joon.17:** 1. Märgulambid 2. Kontrollimise nupp

Akukasseti järelejäänud mahtuvuse kontrollimiseks vajutage kontrollimise nuppu. Märgulambid süttivad mõneks sekundiks.

Märgulambid			Jääkmahtuvus
 Põleb	 Ei põle	 Vilgub	
			75 - 100%
			50 - 75%
			25 - 50%
			0 - 25%
			Laadige akut.
  			Akul võib olla tõrge.

MÄRKUS: Näidata mahutavuse võib erineda tegelikust mahutavusest olenevalt kasutustingimustest ja ümbritseva keskkonna temperatuurist.

Juhtpaneel

Juhtpaneelil asuvad toitelüliti, režiimi vahetamise nupp ja aku jääkmahutavuse näidik.

► **Joon.18:** 1. Akunäidik 2. Režiimi vahetamise lamp 3. Toite märgutuli 4. Kontrollimise nupp 5. Režiimi vahetamise nupp 6. Toitelüliti

Toitelüliti

▲HOIATUS: Kui seadet ei kasutata, lülitage toitelüliti alati välja.

Masina sisselülitamiseks vajutage toitelüliti. Toite märgutuli süttib roheliselt. Masina väljalülitamiseks vajutage toitenuppu uuesti.

MÄRKUS: Kui toitelamp süttib punaselt või vilgub punaselt või roheliselt, vaadake masina/aku kaitse-süsteemi juhiseid.






MÄRKUS: Sellel masinal on automaatse väljalülitamise funktsioon. Juhukäivituse vältimiseks lülitub toitelüliti automaatselt välja, kui lüliti- ja sõiduhuoba (kui see on olemas) pärast toitelüliti sisselülitamist teatava aja vältel ei kasutata.

Režiimi vahetamise nupp

Tõrerežiimi saab muuta režiimi vahetamise nupuga. Kui masin on sisse lülitatud, käivitub ta normaalrežiimis. Režiimi vahetamise nuppu vajutades lülitub masin müra vähendamise režiimile ja režiimi vahetamise lamp süttib roheliselt. Müra vähendamise režiimis saadab niitmist väiksem müra. Režiimi vahetamise nupule uuesti vajutamisel naaseb masin normaalrežiimi.

Aku jääkmahutavuse näit

Aku järelejäänud mahutavuse kontrollimiseks vajutage kontrollimise nuppu. Kummalgi akul on oma akuindikaator.

Akunäidiku olek		Aku jääkmahutavus
 Pöleb	 Ei pöle	
		50–100%
		20–50%
		0–20%

MÄRKUS: Aku jääkmahutavuse märgutuled on pelgalt viitelised. Tegelik aku jääkmahutavus võib olla olenevalt kasutamistingimustest erinev.

MÄRKUS: Enne aku jääkmahtuvuse kontrollimiseks kasutatava nupu vajutamist seisake masin.

Lüliti funktsioneerimine

▲HOIATUS: Kontrollige alati enne akukasseti sisestamist seda, kas hooblüliti töötab nõuetekohaselt ja kas see liigub pärast vabastamist algasendis tagasi. Masina juhtimine lüliti abil, mis ei toimi korralikult, võib kaasa tuua kontrolli kaotamise ja põhjustada tõsisemaid vigastusi.

MÄRKUS: Niiduk ei käivitu, kui te toitelüliti ei vajuta (seda ka juhul, kui hooblüliti tõmbate).

MÄRKUS: Niiduk ei pruugi ülekoormuse tõttu käivituda, kui üritate niita liiga kõrget või tihedat heina. Sellisel juhul suurendage niitmiskõrgust.

Sellel niidukil on lukustusvõti ja käepidemel olev lüliti. Kui märkate lukustusvõtme või lüliti ga seeses midagi ebavalist, seisake niiduk viivitamatult ja laske neid lähimas Makita volitatud teeninduskeskuses kontrollida.

DLM462/DLM532 puhul

1. Paigaldage akukassetid. Sisestage lukustusvõti ja sulgege akukate.
 2. Valige töötamiseks kasutatavad akukassetid, keerates aku valiku lüliti.
 3. Vajutage toitelüliti.
 4. Tõmmake hooblüliti enda poole samal ajal, kui lülitisnupu all hoiate. Vabastage lülitisnupp niipea, kui mootor käivitub.
- **Joon.19:** 1. Lülitisnupp 2. Hooblüliti

MÄRKUS: Kui lukustusvõti ei ole sisestatud, hakkab toitelamp lülitihooba tõmmates roheliselt vilkuma.

5. Hooblüliti vajutamise ajal lükake sõiduhuoba ette ja hoidke seda tagarataste juhtimiseks all.

► **Joon.20:** 1. Sõiduhuob

MÄRKUS: Tagarattaid saate juhtida sõiduhuoba ettepoole lükates ja seda ilma hooblüliti vajutamata hoides.

6. Masina seiskamiseks vabastage sõiduhuob ja hooblüliti.

DLM530 puhul

1. Paigaldage akukassetid. Sisestage lukustusvõti ja sulgege akukate.
 2. Valige töötamiseks kasutatavad akukassetid, keerates aku valiku lüliti.
 3. Vajutage toitelüliti.
 4. Tõmmake hooblüliti enda poole samal ajal, kui lülitisnupu all hoiate. Vabastage lülitisnupp niipea, kui mootor käivitub.
- **Joon.21:** 1. Lülitisnupp 2. Hooblüliti

MÄRKUS: Kui lukustusvõti ei ole sisestatud, hakkab toitelamp lülitihooba tõmmates roheliselt vilkuma.

5. Vabastage hooblüliti, et mootor seisata.

Niitmiskõrguse reguleerimine

⚠ HOIATUS: Ärge pange niitmiskõrguse reguleerimisel käsi või jalgu kunagi niiduki alla.

⚠ HOIATUS: Veenduge alati enne seadme kasutamist, et hoob sobitaks soonde.

Niitmiskõrgust saab reguleerida vahemikus 20 mm ja 100 mm.

Eemaldage lukustusvõti, tõmmake niitmiskõrguse reguleerimishooba niiduki korpuselt väljapoole ja viige soovitud niitmiskõrgusele.

► **Joon.22:** 1. Niitmiskõrguse reguleerimishoob

Allpool esitatud tabelis on näidatud suhet niiduki kerel oleva numbriga ja ligikaudse niitmiskõrguse vahel.

Number	Niitmiskõrgus
1	20 mm
2	26 mm
3	32 mm
4	39 mm
5	47 mm
6	55 mm
7	63 mm
8	74 mm
9	86 mm
10	100 mm

Hoidke ühe käega eesmist või alumist käepidet ja liigutage seejärel teise käega niitmiskõrguse reguleerimishooba.

► **Joon.23:** 1. Niitmiskõrguse reguleerimishoob
2. Alumine käepide 3. Eesmine käepide

MÄRKUS: Niitmiskõrguse näitajaid tuleks kasutada orientiirina. Maapinna ja muru seisundist olenevalt võib tegelik murukõrgus olla valitud kõrgusest erinev.

MÄRKUS: Katsetage muru niitmiskõrguse seadistust vähem nähtavas kohas, et leida sobiv kõrgus.

Rohutaseme indikaator

Rohutaseme indikaator näitab niidetud rohu mahtu. Kui murukogur ei ole täis, siis indikaator ujub terade pöörlemise ajal.

► **Joon.24:** 1. Rohutaseme indikaator

Kui murukogur on peaaegu täis, siis indikaator ei uju terade pöörlemise ajal. Sellisel juhul peatage kohe töö ja tühjendage kogur.

► **Joon.25:** 1. Rohutaseme indikaator

MÄRKUS: Selle indikaatori puhul on tegemist ligikaudse näidikuga. Kruvikeeraja on varustatud kruvide sisestamise sügavuse regulaatoriga.

Käepideme kõrguse reguleerimine

⚠ ETTEVAATUST: Enne poltide eemaldamist hoidke ülemisest käepidemest kindlalt kinni.

Muidu võib käepide maha kukkuda ja kehavigastuse põhjustada.

Käepideme kõrgust saab reguleerida kahele tasemele.

1. Eemaldage alumise käepideme ülemised poltid, kasutades otsvõtit 13, ja seejärel lõdvendage alumised poltid.

► **Joon.26:** 1. Ülemine polt 2. Alumine polt

2. Reguleerige käepideme kõrgust ja pinguldage tugevalt ülemisi ja alumisi polte.

Liikumiskiiruse reguleerimine

DLM462/DLM532 puhul

► **Joon.27:** 1. Kiiruse hoob

Liikumiskiirust saab reguleerida kiiruse hooba kasutades. Kiiruse vähendamiseks tõmmake hooba enda poole ja kiiruse suurendamiseks lükake seda ette poole.

Multšimiskorgi kasutamine

Multšimiskork võimaldab teil niidetud muru tagasi maha lasta, ilma et see murukogurisse kogutaks. Kui kasutate masinat multšimiskorgiga, siis eemaldage kindlasti murukogur.

TÄHELEPANU: Masina multšimiskorgiga kasutamisel veenduge, et muru kogupikkus oleks 30 mm või rohkem, või lõikepikkus oleks 15 mm või vähem.

► **Joon.28:** (1) 30 mm või rohkem (2) 15 mm või vähem

Väljaviskeseadme kasutamine

DLM530/DLM532 puhul

Väljaviskeseade võimaldab teil niidetud muru masina parempoolsest osast välja heita, ilma et see murukogurisse kogutaks. Kui kasutate masinat väljaviskeseadmega, siis kinnitage kindlasti multšimiskork ja eemaldage murukogur.

Elektroniline funktsioon

Masin on varustatud lihtsamaks kasutamiseks elektroniliste funktsioonidega.

- Tera pöörlemise püsikiiruse juhtimine
Elektroniline kiiruse juhtimine püsikiiruse saavutamiseks. Muudab võimalikuks täpselt viimistlemise, kuna pöörlemiskiirus püsib ühtlasena ka koormuse tingimustes.
- Sujuvkäivitamine juhtimisel
Sujuvkäivituse funktsioon minimeerib käivitamisel tagasilööki ja võimaldab masinal sujuvalt käivituda.
- Elektriline pidur
Masinal on elektriline pidur. Kui masin ei suuda pidevalt pärast hooblüüti vabastamist kiiresti niiduki terasid seisata, viige see hooldusse Makita volitatud teeninduskeskusesse.

TÖÖRIISTA KASUTAMINE

Niitmine

⚠ HOIATUS: Puhastage niidetav ala enne niitmist okstest ja kividest. Lisaks puhastage niidetav ala enne niitmist ka umbrohust.

⚠ HOIATUS: Kandke niiduki kasutamisel alati kaitseprille (või nt külgmiste kaitsmetega kaitseprille).

⚠ ETTEVAATUST: Kui muru või kõrvaline ese on niiduki korpuse seestpoolt ummistanud, võtke enne muru või kõrvalise eseme eemaldamist välja lukustusvõti ja akukassett ning pange kindad kätte.

TÄHELEPANU: Kasutage seda seadet ainult muru niitmiseks. Ärge kasutage seda seadet umbrohu niitmiseks.

► Joon.29

Hoidke niitmisel kindlalt kahe käega käepidemest kinni. Soovitav niitmiskiirus on ligikaudu 7 kuni 14 meetrit 10 sekundi jooksul.

► Joon.30

Niitmislaiuse orientiiriks on esirataste keskjooned. Niitke ribad kaupa, kasutades keskjooni abijoonena. Niitke kuni ühe kolmandiku ulatuses eelmise riba peal (kattuv ala) – nii niidate muru ühtlaselt.

► Joon.31: 1. Niitmislaius 2. Kattuv ala 3. Keskjoon

Muutke iga kord niitmise suunda, et ei tekiks ühesuunalist muru mustrit.

► Joon.32

Kontrollige regulaarselt murukoguris oleva niidetud muru kogust. Tühjendage murukogur enne selle täitmist. Enne iga sellist kontrolli seisake niiduk ning eemaldage seejärel lukustusvõti ja akukassett niidukist.

TÄHELEPANU: Täis murukogur takistab niiduki lõiketeradel sujuvalt pöörelda ja lisab mootorile lisakoormuse, mis võib põhjustada mootoririkkeid.

Kõrge muru niitmise

Ärge püüdke lõigata kõrget muru korraga. Selle asemel niitke muru mitmes etapis. Jätke niitmiste vahele üks või kaks päeva, et muru muutuks ühtlaselt lühikeseks.

► Joon.33

MÄRKUS: Kõrge rohu korraga lühikeseks niitmise võib põhjustada muru kuivamise. Samuti võib niidetud muru ummistada seest niiduki korpuse.

Murukoguri tühjendamine

⚠ HOIATUS: Õnnetuste ärahoidmiseks kontrollige murukogurit regulaarselt kahjustuste või tugevuse vähenemise suhtes. Vajaduse korral vahetage murukogur.

1. Vabastage hooblüüti ja sõiduhoo (DLM462/DLM532 puhul) või vabastage hooblüüti (DLM530 puhul).

2. Eemaldage lukustusvõti.

3. Avage tagakaas ja võtke käepidemest hoides murukoguja korv välja.

► **Joon.34:** 1. Tagakaas 2. Käepide 3. Murukoguja

4. Tühjendage murukogur.

HOOLDUS

⚠ HOIATUS: Veenduge alati enne niiduki hoiusutamist, kandmist, kontrollimist või hooldamist, et lukustusvõti ja akukassett oleksid niidukist eemaldatud.

⚠ HOIATUS: Kui niidukit ei kasutata, eemaldage alati lukustusvõti. Hoiustage lukustusvõtit turvalises ja lastele kättesaamatus kohas.

⚠ HOIATUS: Kandke kontrollimise või hooldamise ajal kaitsekindaid.

⚠ HOIATUS: Kandke niiduki kontrollimisel või hooldamisel alati kaitseprille või külgmiste kaitsmetega kaitseprille.

TÄHELEPANU: Ärge kunagi kasutage bensiini, vedeldit, alkoholi ega midagi muud sarnast. Selle tulemuseks võib olla luitumine, deformatsioon või pragunemine.

Toote OHUTUSE ja TÖÖKINDLUSE tagamiseks tuleb vajalikud remonttööd ning muud hooldus- ja reguleerimistööd lasta teha Makita volitatud teeninduskeskustes või tehase teeninduskeskustes. Alati tuleb kasutada Makita varuosi.

Hooldus

1. Eemaldage lukustusvõti ja akukassett ning sulgege akukate.

2. Asetage niiduk küljele, nii et niitmiskõrguse reguleerimishoob jääb üles. Puhastage niiduki kere alla kogunenud murujäägid.

3. Valage vett masina põhja suunas, kuhu kinnitati tera.

TÄHELEPANU: Ärge peske masinat kõrgsurvepesuriga.

4. Kontrollige kõikide mutrite, poltide, kruvide jne pingust.

5. Kontrollige liikuvaid osi kahjustuste, purunemise ja kulumise suhtes. Kahjustatud või puuduvad osad tuleb remontida või välja vahetada.

6. Hoidke niidukit turvalises ja lastele kättesaamatus kohas.

DLM462/DLM532 puhul

TÄHELEPANU: Ärge valage vett joonisel näidatud piirkonda. Vee valamine mootoriüksusesse võib põhjustada masina rikke.

► **Joon.35:** 1. Piirkond kuhu vett ei tohiks valada

Niiduki kandmine

Hoidke niiduki kandmise ajal kahe inimesega joonisel näidatud viisil eesmisest ja tagumisest käepidemest.

► **Joon.36:** 1. Eesmine käepide 2. Tagumine käepide

Hoiundamine

Hoidke niidukit siseruumis jahedas, kuivas ja lukustatud kohas. Ärge hoidke niidukit ega laadurit kohtades, kus temperatuur võib tõusta üle 40 °C.

Niiduki tera eemaldamine või paigaldamine

⚠HOIATUS: Pärast lüliti vabastamist pöörleb lõiketera mõned sekundid tühikäigul. Ärge alustage toiminguid enne, kui tera on täielikult seiskunud.

⚠HOIATUS: Eemaldage lukustusvõti ja akukasett alati enne lõiketera eemaldamist või paigaldamist. Lukustusvõtme või akukasetti eemaldamata jätmine võib tuua kaasa tõsiseid vigastusi.

⚠HOIATUS: Kandke lõiketera käsitsemisel alati kaitsekindaid.

Niiduki tera eemaldamine

Sirge niiduki teraga mudelite puhul

1. Asetage niiduk küljele, nii et niitmiskõrguse reguleerimishoob jääb üles.
2. Tera lukustamiseks sisestage tihvt niiduki kerel olevasse avasse.
3. Keerake polti otsvõtmega 17 vastupäeva.
► **Joon.37:** 1. Niiduki tera 2. Tihvt 3. Otsvõti
4. Eemaldage polt ja seejärel niiduki tera.
► **Joon.38:** 1. Tera tugi 2. Niiduki tera 3. Polt 4. Eenduv osa

TÄHELEPANU: Niiduki tera paigaldamisel veenduge, et tera toel asuvad sälgud sobituksid niiduki teral olevate avadega.

Tagasipööratud niiduki teradega mudelite puhul

1. Asetage niiduk küljele, nii et niitmiskõrguse reguleerimishoob jääb üles.
2. Alusplaadi lukustamiseks sisestage tihvt läbi alusplaadil oleva ava niiduki kerel olevasse avasse.
3. Keerake polti otsvõtmega 17 vastupäeva.
► **Joon.39:** 1. Tihvt 2. Alusplaat 3. Otsvõti
4. Eemaldage polt ja seejärel alusplaat.
► **Joon.40:** 1. Tera tugi 2. Alusplaat 3. Polt 4. Eenduv osa

TÄHELEPANU: Niiduki terade paigaldamisel veenduge, et tera toel asuvad sälgud sobituksid alusplaadil olevate avadega.

5. Üksiku niiduki tera eemaldamiseks keerake polti otsvõtmega 17 vastupäeva, hoides alusplaadist samal ajal kinni.

► **Joon.41:** 1. Alusplaat 2. Niiduki tera 3. Otsvõti

6. Eemaldage järjekorras mutter, seib, vedruseib, niiduki tera ja polt.

► **Joon.42:** 1. Poldi ava 2. Polt 3. Niiduki tera 4. Vedruseib 5. Seib 6. Mutter

TÄHELEPANU: Üksikute niiduki terade paigaldamise ajal rakendage mutrite pinguldamiseks 30 N·m suurust pingutusmomenti.

TÄHELEPANU: Üksiku niiduki tera paigaldamisel kinnitage vedruseib joonisel näidatud suunas.

TÄHELEPANU: Üksiku niiduki tera paigaldamisel sisestage poldid joonisel näidatud poldi avadesse.

Niiduki tera paigaldamine

⚠HOIATUS: Paigaldage niiduki tera hoolikalt. Sellel on ülemine/alumine külj.

⚠HOIATUS: Pinguldage polti päripäeva, et lõiketera fikseerida.

⚠HOIATUS: Veenduge, et niiduki tera ja kõik selle kinnitused oleksid korralikult paigaldatud ja kindlalt pingutatud.

⚠HOIATUS: Terasid vahetades järgige alati juhendis toodud juhtnööre.

TÄHELEPANU: Pärast niiduki terade paigaldamist eemaldage niiduki kerelt tihvt.

Niiduki terade paigaldamiseks järgige eemaldamise protseduuri vastupidises järjekorras.

VEAOTSING

Enne parandustöökotta pöördumist kontrollige esmalt ise seadet. Ärge proovige masinat lahti võtta, kui leiate probleemi, mida kasutusjuhendis ei kirjeldata. Selle asemel pöörduge Makita volitatud teeninduskeskusesse, kus kasutatakse parandamisel alati Makita tagavaraosi.

Tõrge	Võimalik põhjus (riike)	Lahendus
Niiduk ei käivitu.	Kaks akukassetti ei ole paigaldatud.	Paigaldage kaks laetud akukassetti.
	Akuga seotud probleem (alapinge)	Laadige akukassett. Kui laadimine ei anna tulemust, vahetage akukassett välja.
	Lukustusvõti ei ole sisestatud.	Sisestage lukustusvõti.
	Aku valiku lüliti ei ole õiges asendis.	Valige akuport, kuhu on sisestatud akukassetid, kasutades aku valiku lüliti.
Mootor seiskub pärast lühiajalist töötamist.	Aku laetustase on madal.	Laadige akukassett. Kui laadimine ei anna tulemust, vahetage akukassett välja.
	Niitmiskõrgus on liiga madal.	Suurendage niitmiskõrgust.
	Niidetud muru on niiduki ummistanud.	Eemaldage niidukisse kinni jäänud muru.
Mootor ei saavuta maksimaalset pöörlemiskiirust.	Akukassett ei ole õigesti paigaldatud.	Paigaldage akukassett juhendis kirjeldatud viisil.
	Aku võimsus langeb.	Laadige akukassett. Kui laadimine ei anna tulemust, vahetage akukassett välja.
	Veosüsteem ei tööta korralikult.	Paluge volitatud teeninduskeskuses teha parandustööd.
Niiduki tera ei pöörle: ⇒ seisake kohe niiduk!	Kõrvaline ese, näiteks puuoks on tera blokeerinud.	Eemaldage kõrvaline ese.
	Veosüsteem ei tööta korralikult.	Paluge volitatud teeninduskeskuses teha parandustööd.
Ebatavaline vibratsioon: ⇒ seisake kohe niiduk!	Tera ei ole tasakaalus või on ülemäära või ebaühtlaselt kulunud.	Vahetage tera.

VALIKULISED TARVIKUD

⚠ETTEVAATUST: Neid tarvikuid ja lisaseadmeid on soovitatav kasutada koos Makita masinaga, mille kasutamist selles kasutusjuhendis kirjeldatakse. Muude tarvikute ja lisaseadmete kasutamisega võib kaasneda vigastusoht. Kasutage tarvikuid ja lisaseadmeid ainult otstarbekohaselt.

Saate vajaduse korral kohalikust Makita teeninduskeskusest lisa teavet nende tarvikute kohta.

- Niiduki tera
- Makita algupärane aku ja laadija

MÄRKUS: Mõned nimekirjas loetletud tarvikud võivad olla lisatud põhivarustusena toote pakendisse. Need võivad riigiti erineda.

ТЕХНИЧЕСКИЕ ХАРАКТЕРИСТИКИ

Модель:		DLM462	DLM530	DLM532
Ширина скашивания (диаметр лезвия)		460 мм	534 мм	
Число оборотов без нагрузки		2 500 мин ⁻¹	2 300 мин ⁻¹	
Максимальная рабочая частота		3 300 мин ⁻¹	2 800 мин ⁻¹	
Сменная лезвие газонокосилки, номер детали	Прямое лезвие газонокосилки	191D51-9	191D52-7	
	Откидные лезвия косилки *1	191D49-6	191D50-1	
	Откидные лезвия косилки *2	191D47-0	191D48-8	
Размеры (Д × Ш × В)		Д: от 1 610 мм до 1 690 мм Ш: 535 мм В: от 980 мм до 1 095 мм	Д: от 1 630 мм до 1 715 мм. Ш: 590 мм В: от 990 мм до 1 095 мм	
Скорость передвижения		2,5–5,0 км/ч	–	2,5–5,0 км/ч
Номинальное напряжение		36 В пост. тока		
Масса нетто	Когда установлено прямое лезвие газонокосилки	35,3 – 39,0 кг	35,5 – 39,3 кг	39,0–42,8 кг
	Когда установлены откидные лезвия косилки	36,0–39,7 кг	36,2–40,0 кг	39,7–43,5 кг
Степень защиты		IPX4		

*1. Плита основания и отдельные лезвия газонокосилки.

*2. Только отдельные лезвия газонокосилки.

- Благодаря нашей постоянно действующей программе исследований и разработок указанные здесь технические характеристики могут быть изменены без предварительного уведомления.
- Технические характеристики могут различаться в зависимости от страны.
- Масса может отличаться в зависимости от дополнительного оборудования. Обратите внимание, что блок аккумулятора также считается дополнительным оборудованием. В таблице представлены комбинации с наибольшим и наименьшим весом в соответствии с процедурой ЕРТА 01/2014.

Подходящий блок аккумулятора

BL1815N / BL1820 / BL1820B / BL1830 / BL1830B / BL1840 / BL1840B / BL1850 / BL1850B / BL1860B

- В зависимости от региона вашего проживания некоторые блоки аккумуляторов, перечисленные выше, могут быть недоступны.

⚠ ОСТОРОЖНО: Используйте только перечисленные выше блоки аккумуляторов. Использование других блоков аккумуляторов может привести к травме и/или пожару.

СИМВОЛЫ

Нижне приведены символы, используемые для оборудования. Перед использованием убедитесь, что вы понимаете их значение.

	Обратите особое внимание.
	Прочитайте руководство по эксплуатации.
	Опасность! Возможен разлет твердых предметов.
	Расстояние от инструмента до находящихся поблизости людей должно быть не менее 15 м.
	Не приближайте руки и ноги к ножам под дном газонокосилки. После выключения электромотора лезвия продолжают вращаться.
	Перед осмотром, регулировкой, очисткой, обслуживанием, оставлением и хранением газонокосилки извлекайте ключ блокировки.



Электрическая опасность. Попадание воды на машину может привести к поражению электрическим током.



Не допускайте попадания воды на машину.



Только для стран ЕС
Не выбрасывайте электрооборудование или аккумуляторы вместе с бытовым мусором!

В соответствии с европейскими директивами об утилизации электрического и электронного оборудования, о батареях и аккумуляторах, а также использованных батареях и аккумуляторах и их применении в соответствии с местными законами электрооборудование, батареи и аккумуляторы, срок эксплуатации которых истек, должны утилизироваться отдельно и передаваться для утилизации на предприятии, соответствующее применяемым правилам охраны окружающей среды.

Назначение

Газонокосилка предназначена для стрижки газонов.

Шум

Типичный уровень взвешенного звукового давления (A), измеренный в соответствии с EN60335-2-77:

ПРИМЕЧАНИЕ: значения были измерены на газонокосилке, оснащенной прямым лезвием.

Модель DLM462

Уровень звукового давления (L_{pA}): 82,7 дБ (A)

Уровень звуковой мощности (L_{WA}): 90,9 дБ (A)

Погрешность (K): 3 дБ (A)

Модель DLM530

Уровень звукового давления (L_{pA}): 78,1 дБ (A)

Уровень звуковой мощности (L_{WA}): 90,4 дБ (A)

Погрешность (K): 3 дБ (A)

Модель DLM532

Уровень звукового давления (L_{pA}): 78,1 дБ (A)

Уровень звуковой мощности (L_{WA}): 90,4 дБ (A)

Погрешность (K): 3 дБ (A)

Уровень шума при выполнении работ может превышать 80 дБ (A).

ПРИМЕЧАНИЕ: Заявленное значение распространения шума измерено в соответствии со стандартной методикой испытаний и может быть использовано для сравнения инструментов.

ПРИМЕЧАНИЕ: Заявленное значение распространения шума можно также использовать для предварительных оценок воздействия.

⚠ОСТОРОЖНО: Используйте средства защиты слуха.

⚠ОСТОРОЖНО: Распространение шума во время фактического использования электроинструмента может отличаться от заявленного значения в зависимости от способа применения инструмента и в особенности от типа обрабатываемой детали.

⚠ОСТОРОЖНО: Обязательно определите меры безопасности для защиты оператора, основанные на оценке воздействия в реальных условиях использования (с учетом всех этапов рабочего цикла, таких как выключение инструмента, работа без нагрузки и включение).

Вибрация

Суммарное значение вибрации (сумма векторов по трем осям), определенное в соответствии с EN60335-2-77:

ПРИМЕЧАНИЕ: значения были измерены на газонокосилке, оснащенной прямым лезвием.

Модель DLM462

Распространение вибрации (a_n): 2,5 m/s^2 или менее
Погрешность (K): 1,5 m/s^2

Модель DLM530

Распространение вибрации (a_n): 2,5 m/s^2 или менее
Погрешность (K): 1,5 m/s^2

Модель DLM532

Распространение вибрации (a_n): 2,5 m/s^2 или менее
Погрешность (K): 1,5 m/s^2

ПРИМЕЧАНИЕ: Заявленное общее значение распространения вибрации измерено в соответствии со стандартной методикой испытаний и может быть использовано для сравнения инструментов.

ПРИМЕЧАНИЕ: Заявленное общее значение распространения вибрации можно также использовать для предварительных оценок воздействия.

⚠ОСТОРОЖНО: Распространение вибрации во время фактического использования электроинструмента может отличаться от заявленного значения в зависимости от способа применения инструмента и в особенности от типа обрабатываемой детали.

⚠ОСТОРОЖНО: Обязательно определите меры безопасности для защиты оператора, основанные на оценке воздействия в реальных условиях использования (с учетом всех этапов рабочего цикла, таких как выключение инструмента, работа без нагрузки и включение).

Декларация о соответствии ЕС

Только для европейских стран

Декларация о соответствии ЕС включена в руководство по эксплуатации (Приложение А).

МЕРЫ БЕЗОПАСНОСТИ

ВАЖНЫЕ ИНСТРУКЦИИ ПО ТЕХНИКЕ БЕЗОПАСНОСТИ

⚠ОСТОРОЖНО: Ознакомьтесь со всеми инструкциями и рекомендациями по технике безопасности. Невыполнение инструкций и рекомендаций может привести к поражению электротоком, пожару и/или тяжелым травмам.

Сохраните брошюру с инструкциями и рекомендациями для дальнейшего использования.

Инструктаж

1. Внимательно прочитайте инструкции. Ознакомьтесь со всеми элементами управления и правилами надлежащей эксплуатации газонокосилки.
2. Не разрешайте детям и лицам, не знакомым с данными инструкциями, пользоваться косилкой. В местном законодательстве могут существовать возрастные ограничения для операторов.
3. Запрещается эксплуатировать газонокосилку, если поблизости находятся люди (в особенности дети) или животные.
4. Помните, что оператор/пользователь несет ответственность за происшествия и опасные ситуации с другими людьми или их собственностью.

5. Слудует следить за маленькими детьми, чтобы они не использовали газонокосилку в качестве игрушки.
6. Физическое состояние – не эксплуатируйте газонокосилку, находясь под действием наркотиков, алкоголя или лекарств.

Подготовка

1. На время эксплуатации косилки обязательно надевайте прочную обувь и длинные брюки. Не пользуйтесь оборудованием босиком или в открытых сандалиях. Не следует носить галстук, свободную одежду или украшения, а также одежду, украшенную свисающими шнурами. Их может затянуть движущимися деталями.
2. Перед началом работы осматривайте газонокосилку на предмет поврежденных, отсутствующих или неправильно установленных ограждений или экранов.
3. Перед началом работы убедитесь, что поблизости никого нет. Если кто-либо приблизился, выключите газонокосилку.
4. Не вставляйте ключ блокировки в газонокосилку, пока она не будет готова к эксплуатации.
5. Во время работы с электроинструментом всегда надевайте защитные очки. Очки должны соответствовать ANSI Z87.1 для США, EN 166 для Европы, или AS/NZS 1336 для Австралии и Новой Зеландии. В Австралии и Новой Зеландии оператор также обязан носить защитную маску.



Ответственность за использование средств защиты операторами и другим персоналом вблизи рабочей зоны возлагается на работодателя.

6. Перед эксплуатацией тщательно осмотрите лезвия и болты лезвий и убедитесь в отсутствии трещин или повреждений. Немедленно замените треснувшие или поврежденные лезвия или болты лезвий.
7. Перед началом работы очистите площадку от посторонних предметов (камней, проволоки, бутылок, костей и больших палок), чтобы не допустить травм или повреждения газонокосилки.
8. Предметы, отброшенные лезвием газонокосилки, могут нанести тяжелые травмы. Перед началом работы необходимо тщательно осмотреть газон и очистить его от всех предметов.

9. Осматривайте газон на предмет углублений, колеи, ухабов, камней или других скрытых предметов. Неровности поверхности могут стать причиной поскользывания и падения. Высокая трава может скрывать препятствия.
10. Запрещается вставлять или вынимать ключ блокировки под дождем.
11. Используйте индивидуальные средства защиты. Всегда надевайте защитные очки. Такие средства индивидуальной защиты, как маска от пыли, защитная нескользящая обувь, каска или наушники, используемые в соответствующих условиях, позволяют снизить риск получения травмы.

Выполнение работы

1. Во время работы с устройством не тянитесь. Всегда сохраняйте равновесие. При работе на склонах занимайте устойчивое положение. Передвигайтесь шагом, не бегите.
2. Остановите газонокосилку, извлеките ключ блокировки и убедитесь в том, что все движущиеся части полностью остановились, если:
 - оставлете машину;
 - планируете устранять засоры и удалять предметы, закупорившие желоб;
 - собираетесь проверять, очищать оборудование или выполнять его обслуживание;
 - оборудование ударилось о посторонний предмет. Перед повторным запуском осмотрите машину на предмет повреждений и устраните неисправность:
 - при появлении аномальной вибрации в газонокосилке.
3. Запрещается использовать машину с неисправными ограждениями и экранами или без защитных приспособлений, например дефлекторов или бункера для сбора травы.
4. Не рекомендуется использовать газонокосилку в неблагоприятных погодных условиях, особенно если существует риск удара молнии.
5. При эксплуатации газонокосилки обязательно носите средства защиты глаз и прочную обувь.
6. Используйте устройство только в дневное время или при хорошем искусственном освещении.
7. Осторожно включайте газонокосилку в соответствии с инструкциями, ноги при этом должны находиться как можно дальше от лезвий.
8. Соблюдайте меры безопасности во избежание травмирования ног и рук лезвием газонокосилки.
9. Следите за тем, чтобы вентиляционные отверстия не были засорены.
10. Выполняйте стрижку газонов поперек склона, а не вниз-вверх. Соблюдайте особую осторожность, меняя направление движения на склонах. Не выполняйте стрижку чересчур крутых склонов.
11. Соблюдайте особую осторожность, перемещая газонокосилку задним ходом или подтягивая ее к себе.

12. **Обязательно остановите лезвие(я), если машину необходимо наклонить для транспортировки по поверхности, отличной от травы, либо при транспортировке машины к месту эксплуатации и обратно.**
13. **Не наклоняйте газонокосилку при включении двигателя, кроме случаев, когда ее необходимо наклонять для пуска. В этом случае наклоняйте ее на минимально необходимый угол и поднимайте только дальнюю от оператора часть. При опускании газонокосилки на землю всегда крепко держите рукоятку обеими руками.**
14. **Не помещайте руки или ноги под вращающиеся детали или вблизи них. Никогда не становитесь перед разгрузочным отверстием.**
15. **Не транспортируйте включенную газонокосилку.**
16. **Не рекомендуется использовать машину на мокрой траве.**
17. **Постоянно надежно удерживайте рукоятку.**
18. **Поднимая или удерживая косилку, не беритесь за оголенные ножи или режущие кромки.**
19. **Не приближайте руки и ноги к вращающимся ножам. Внимание - лезвия продолжают вращаться после отключения газонокосилки.**
20. **Немедленно прекратите выполнение операции, если заметите отклонения в работе. Выключите газонокосилку и извлеките ключ блокировки. Затем осмотрите газонокосилку.**
21. **Запрещается регулировать высоту скашивания во время движения газонокосилки (если газонокосилка позволяет регулировать высоту скашивания).**
22. **Отпустите рычажный выключатель и дождитесь остановки лезвия, прежде чем переходить улицы, пешеходные дорожки, дороги и любые области с гравийным покрытием. Кроме того, извлеките ключ блокировки, если выпускаете газонокосилку из рук, нагибаетесь, чтобы подобрать или убрать что-либо с дороги, или по любой другой причине, которая может отвлечь вас от работы.**
23. **Если газонокосилка ударилась о посторонний предмет, выполните следующее:**
 - выключите газонокосилку, отпустите рычажный выключатель и дождитесь полной остановки лезвия;
 - Извлеките ключ блокировки и блок аккумулятора.
 - внимательно осмотрите газонокосилку на предмет повреждений;
 - замените лезвие, если оно повреждено.**Устраните повреждения, прежде чем перезапустить газонокосилку и возобновлять работу.**
24. **Не включайте двигатель, стоя перед разгрузочным отверстием.**
25. **Если начинается непредусмотренная вибрация машины (немедленно проверьте)**
 - осмотрите предмет повреждения;
 - замените или отремонтируйте поврежденные детали;
 - проверьте на предмет ослабленных деталей и подтяните их.
26. **Не направляйте поток срезанного материала на людей. Не направляйте поток срезанного материала на стену или какой-либо предмет. Срезанный материал может отскочить в сторону оператора. Остановите лезвие на время транспортировки по поверхности из гравия.**
27. **Не тяните газонокосилку назад без крайней необходимости. Если необходимо отвести косилку от забора или другого аналогичного препятствия, смотрите назад себе под ноги до начала движения, а также во время движения задним ходом.**
28. **Прежде чем снимать травосборник, отключите двигатель и подождите, пока лезвие полностью остановится. Имейте в виду, что лезвия продолжают вращаться после отключения.**
29. **При использовании устройства в грязи, на влажном склоне или на скользкой поверхности будьте осторожны, чтобы не поскользнуться.**
30. **Избегайте работать в сложных условиях, в которых ожидается повышенная усталость пользователя.**
31. **Не используйте устройство в неблагоприятных погодных условиях, когда видимость ограничена. Несоблюдение этого требования может привести к падению или неправильной эксплуатации устройства из-за плохой видимости.**
32. **Не допускайте погружения устройства в лужи.**
33. **В случае прилипания мокрых листьев или грязи ко входу для всасывания (вентиляционному отверстию) удалите их.**
34. **Запрещается использовать устройство в снегопад.**
35. **Если срезанная трава является мокрой, она может скапливаться внутри устройства. Регулярно проверяйте состояние устройства и при необходимости удаляйте прилипшую траву.**
36. **При работе с машиной следите за тем, чтобы не допустить контакта с трубопроводом или проводами.**
37. **Не используйте с этой машиной проводной источник электропитания, например переходник зарядного устройства или портативный блок питания. Кабель этого источника электропитания может помешать работе и стать причиной травмы.**

Техническое обслуживание и хранение

1. **Чтобы обеспечить безопасность, заменяйте изношенные и поврежденные детали. Используйте только оригинальные сменные части и приспособления.**
2. **Регулярно осматривайте и выполняйте техническое обслуживание газонокосилки.**
3. **Когда газонокосилка не используется, храните ее в недоступном для детей месте.**

4. Все гайки, болты и винты должны быть надежно затянуты — это обеспечит безопасность и работоспособность.
 5. Чаще проверяйте корзину для травы на предмет износа или повреждений. Помещающее устройство на хранение, обязательно очистите корзину для травы. Для обеспечения безопасности замените изношенную корзину для травы на новую.
 6. Пользуйтесь только оригинальными лезвиями производителя, указанными в данном руководстве.
 7. Соблюдайте осторожность при регулировке газонокосилки, чтобы не допустить защемления пальцев между движущимися лезвиями и неподвижными деталями машины.
 8. Чаще проверяйте надежность затяжки болта крепления лезвия.
 9. Перед постановкой на хранение дайте косилке остыть.
 10. При обслуживании лезвий следует помнить, что лезвия могут двигаться даже при отключенном питании.
 11. Не удаляйте предохранительные устройства и не вносите изменения в их конструкцию. Регулярно проверяйте правильность их работы. Не предпринимайте никаких действий, которые могут повлиять на функционирование предохранительного устройства или снизить степень защиты, обеспечиваемой предохранительным устройством.
 12. Не оставляйте устройство без присмотра под открытым небом в дождь.
 13. Запрещается мыть устройство струей воды с высоким напором.
 14. При мойке устройства обязательно вытащите аккумулятор и ключ блокировки и закройте крышку отсека аккумулятора. Вода при мойке должна стекать к нижней части устройства, где крепится лезвие.
 15. Не храните устройство в помещениях с высокой влажностью или температурой, на солнце или под дождем.
 16. Осмотр и техническое обслуживание устройства следует выполнять в месте, защищенном от осадков.
 17. После использования устройства очистите его от налипшей грязи и полностью высушите, перед тем как поместить на хранение. В зависимости от времени года и/или региона устройство может выйти из строя из-за замерзания воды.
- Эксплуатация и обслуживание электроинструмента, работающего на аккумуляторах**
1. Заряжайте аккумулятор только зарядным устройством, указанным изготовителем. Зарядное устройство, подходящее для одного типа аккумуляторов, может привести к пожару при его использовании с другим аккумуляторным блоком.
 2. Используйте электроинструмент только с указанными аккумуляторными блоками. Использование других аккумуляторных блоков может привести к травме или пожару.
3. Когда аккумуляторный блок не используется, храните его отдельно от металлических предметов, таких как скрепки, монеты, ключи, гвозди, шурупы или другие небольшие металлические предметы, которые могут привести к закорачиванию контактов аккумуляторного блока между собой. Короткое замыкание между контактами аккумуляторного блока может привести к ожогам или пожару.
 4. При неправильном обращении из аккумуляторного блока может потечь жидкость. Избегайте контакта с ней. В случае контакта с кожей промойте место контакта обильным количеством воды. В случае попадания в глаза обратитесь к врачу. Жидкость из аккумулятора может вызвать раздражение или ожоги.
 5. Не используйте поврежденные или модифицированные инструменты и аккумуляторные блоки. Поврежденные или модифицированные аккумуляторы могут работать некорректно, что может привести к пожару, взрыву или травмированию.
 6. Не подвергайте аккумуляторный блок или инструмент воздействию огня или высокой температуры. Воздействие огня или температуры выше 130 °C может привести к взрыву.
 7. Следуйте всем инструкциям по зарядке и не заряжайте аккумуляторный блок или инструмент при температурных условиях, выходящих за пределы диапазона, указанного в инструкции. Зарядка ненадлежащим образом или при температурных условиях, выходящих за пределы указанного диапазона, может привести к повреждению батареи и повысить риск пожара.

Электробезопасность

1. Не бросайте аккумуляторные блоки в огонь. Они могут взорваться. Уточните местные правила утилизации аккумулятора.
2. Не вскрывайте и не разбивайте аккумуляторы. Содержащийся в них электролит очень едкий, вы можете повредить глаза или кожу. При проглатывании это вещество может вызвать отравление.
3. Не заряжайте аккумулятор под дождем или в местах с повышенной влажностью.
4. Не заряжайте аккумулятор на улице.
5. Не касайтесь зарядного устройства, а также штекера и контактов зарядного устройства влажными руками.
6. Запрещается заменять аккумулятор под дождем.
7. Избегайте смачивания клемм аккумулятора жидкостью, например водой, и не допускайте погружения аккумулятора в жидкость. Запрещается оставлять аккумулятор под дождем, заряжать, использовать или хранить аккумулятор в местах с повышенной влажностью. Мокрые клеммы или попадание жидкости внутрь аккумулятора могут привести к короткому замыканию аккумулятора, его перегреву, возгоранию или взрыву.

8. После извлечения аккумулятора из газонокосилки или зарядного устройства обязательно присоедините к аккумулятору крышку отсека аккумулятора и оставьте его в сухом месте.
9. Запрещается выполнять замену аккумулятора мокрыми руками.

Сервисное обслуживание

1. Сервисное обслуживание электроинструмента должно проводиться только квалифицированным специалистом по ремонту и только с использованием идентичных запасных частей. Это позволит обеспечить безопасность электроинструмента.
2. Запрещается обслуживать поврежденные аккумуляторные блоки. Обслуживание аккумуляторных блоков должен осуществлять только производитель или авторизованные поставщики услуг.

СОХРАНИТЕ ДАННЫЕ ИНСТРУКЦИИ.

⚠ОСТОРОЖНО: НЕ ДОПУСКАЙТЕ, чтобы удобство или опыт эксплуатации данного устройства (полученный от многократного использования) доминировали над строгим соблюдением правил техники безопасности при обращении с этим устройством.

НЕПРАВИЛЬНОЕ ИСПОЛЬЗОВАНИЕ инструмента или несоблюдение правил техники безопасности, указанных в данном руководстве, может привести к тяжелой травме.

Важные правила техники безопасности для работы с аккумуляторным блоком

1. Перед использованием аккумуляторного блока прочитайте все инструкции и предупреждающие надписи на (1) зарядном устройстве, (2) аккумуляторном блоке и (3) инструменте, работающем от аккумуляторного блока.
2. Не разбирайте аккумуляторный блок.
3. Если время работы аккумуляторного блока значительно сократилось, немедленно прекратите работу. В противном случае, может возникнуть перегрев блока, что приведет к ожогам и даже к взрыву.
4. В случае попадания электролита в глаза промойте их обильным количеством чистой воды и немедленно обратитесь к врачу. Это может привести к потере зрения.
5. Не замыкайте контакты аккумуляторного блока между собой:
 - (1) Не прикасайтесь к контактам какими-либо токопроводящими предметами.
 - (2) Не храните аккумуляторный блок в контейнере вместе с другими металлическими предметами, такими как гвозди, монеты и т. п.
 - (3) Не допускайте попадания на аккумуляторный блок воды или дождя.

6. Замыкание контактов аккумуляторного блока между собой может привести к возникновению большого тока, перегреву, возможным ожогам и даже поломке блока.
6. Не храните инструмент и аккумуляторный блок в местах, где температура может достигать или превышать 50 °C (122 °F).
7. Не бросайте аккумуляторный блок в огонь, даже если он сильно поврежден или полностью вышел из строя. Аккумуляторный блок может взорваться под действием огня.
8. Не роняйте и не ударяйте аккумуляторный блок.
9. Не используйте поврежденный аккумуляторный блок.
10. Входящие в комплект литий-ионные аккумуляторы должны эксплуатироваться в соответствии с требованиями законодательства об опасных товарах.

При коммерческой транспортировке, например, третьей стороной или экспедитором, необходимо нанести на упаковку специальные предупреждения и маркировку.

В процессе подготовки устройства к отправке обязательно проконсультируйтесь со специалистом по опасным материалам. Также соблюдайте местные требования и нормы. Они могут быть строже.

Закройте или закрепите разомкнутые контакты и упакуйте аккумулятор так, чтобы он не перемещался по упаковке.

11. Для утилизации блока аккумулятора извлеките его из инструмента и утилизируйте безопасным способом. Выполняйте требования местного законодательства по утилизации аккумуляторного блока.
12. Используйте аккумуляторные батареи только с продукцией, указанной Makita. Установка аккумуляторов на продукцию, не соответствующую требованиям, может привести к пожару, перегреву, взрыву или утечке электролита.
13. Если инструментом не будут пользоваться в течение длительного периода времени, извлеките аккумулятор из инструмента.

СОХРАНИТЕ ДАННЫЕ ИНСТРУКЦИИ.

⚠ВНИМАНИЕ: Используйте только фирменные аккумуляторные батареи Makita.

Использование аккумуляторных батарей, не произведенных Makita, или батарей, которые были подвергнуты модификациям, может привести к взрыву аккумулятора, пожару, травмам и повреждению имущества. Это также автоматически аннулирует гарантию Makita на инструмент и зарядное устройство Makita.

Советы по обеспечению максимального срока службы аккумулятора

1. Заряжайте блок аккумуляторов перед его полной разрядкой. Обязательно прекратите работу с инструментом и зарядите блок аккумуляторов, если вы заметили снижение мощности инструмента.

2. Никогда не подзаряжайте полностью заряженный блок аккумуляторов. Перезарядка сокращает срок службы аккумулятора.
3. Заряжайте блок аккумуляторов при комнатной температуре в 10 - 40 °C (50 - 104 °F). Перед зарядкой горячего блока аккумуляторов дайте ему остыть.
4. Зарядите ионно-литиевый аккумуляторный блок, если вы не будете пользоваться инструментом длительное время (более шести месяцев).

СБОРКА

▲ОСТОРОЖНО: Прежде чем выполнять какие-либо операции с газонокосилкой, убедитесь, что ключ блокировки и блок аккумулятора извлечены. Несоблюдение этого требования может привести к тяжелой травме в результате случайного пуска инструмента.

▲ОСТОРОЖНО: Не запускайте частично собранную газонокосилку. Использование машины в частично собранном виде может стать причиной тяжелой травмы в результате случайного пуска.

Установка рукоятки

ПРИМЕЧАНИЕ: При установке рукояток расположите провода так, чтобы они не защемлялись между рукоятками. Если шнур поврежден, выключатель косилки не будет работать.

1. Совместите отверстия в нижней ручке с отверстиями в корпусе газонокосилки и временно затяните 4 болта.

► **Рис.1:** 1. Нижняя рукоятка 2. Болт

2. Плотно затяните 4 болта, которые были временно затянуты на этапе 1, торцевым ключом на 13.
3. Совместите отверстие в нижней ручке с отверстием в верхней ручке, вставьте болт изнутри и затяните гайку снаружи торцевым ключом на 13. Выполните ту же процедуру на другой стороне.

► **Рис.2:** 1. Болт 2. Нижняя рукоятка 3. Гайка 4. Отверстие 5. Верхняя рукоятка

▲ВНИМАНИЕ: Крепко удерживайте верхнюю рукоятку, чтобы она не выскользнула из вашей руки. Несоблюдение данного требования может привести к получению травм при падении рукоятки.

4. Присоедините держатели к рукоятке.

Совместите выступы на держателе с отверстиями в ручке, чтобы выступы вошли в отверстия. Расположите шнуры, как показано на рисунке.

► **Рис.3:** 1. Шнур 2. Держатель

Удаление вставки для мульчирования

1. Откройте заднюю крышку.

► **Рис.4:** 1. Задняя крышка

2. Снимите вставку для мульчирования, удерживая нажатым рычаг.

► **Рис.5:** 1. Рычаг 2. Вставка для мульчирования

Установка или удаление корзины для травы

Установка корзины для травы выполняется по указанной далее процедуре.

1. Откройте заднюю крышку.

► **Рис.6:** 1. Задняя крышка

2. Удерживая рукоятку корзины для травы, зацепите корзину для травы за стержень корпуса газонокосилки, как показано на рисунке.

► **Рис.7:** 1. Стержень 2. Рукоятка 3. Корзина для травы

Для снятия корзины для травы откройте заднюю крышку и извлеките корзину для травы, удерживая рукоятку.

Установка вставки для мульчирования

1. Откройте заднюю крышку и снимите корзину для травы.

► **Рис.8:** 1. Задняя крышка 2. Корзина для травы

2. Отожмите вниз фиксатор на вставке для мульчирования и установите насадку, а затем отпустите фиксатор, чтобы зафиксировать вставку.

► **Рис.9:** 1. Рычаг 2. Вставка для мульчирования

Установка насадки для выброса травы

Действия при работе с DLM530/DLM532

1. Откройте заднюю крышку и снимите корзину для травы.

► **Рис.10:** 1. Задняя крышка 2. Корзина для травы

2. Отожмите вниз фиксатор на вставке для мульчирования и установите насадку, а затем отпустите фиксатор, чтобы зафиксировать вставку.

► **Рис.11:** 1. Рычаг 2. Вставка для мульчирования

3. Откройте правую боковую крышку и установите насадку для выброса травы.

Вставьте крючки насадки для выброса травы под стержнем правой боковой крышки.

► **Рис.12:** 1. Правая боковая крышка 2. Насадка для выброса травы

ОПИСАНИЕ РАБОТЫ

Установка или снятие блока аккумуляторов

⚠ВНИМАНИЕ: Перед установкой и извлечением блока аккумулятора выключайте машину.

⚠ВНИМАНИЕ: При установке и извлечении блока аккумулятора крепко удерживайте машину и блок аккумулятора. Если не удерживать машину и блок аккумулятора крепко, они могут выскользнуть из рук, что приведет к повреждению машины и блока аккумулятора, а также травмированию оператора.

⚠ВНИМАНИЕ: Перед использованием убедитесь, что заперли крышку блока аккумулятора. В противном случае грязь, мусор или вода могут повредить изделие или блок аккумулятора.

⚠ВНИМАНИЕ: Обязательно устанавливайте блок аккумулятора до конца таким образом, чтобы красный индикатор не был виден. В противном случае блок может выпасть из машины и нанести травму вам или другим людям.

⚠ВНИМАНИЕ: Не прилагайте чрезмерных усилий при установке блока аккумулятора. Если блок не двигается свободно, значит он вставлен неправильно.

ПРИМЕЧАНИЕ: Машина не будет работать только с одним блоком аккумулятора.

Чтобы установить блок аккумулятора:

1. Потяните вверх стопорный рычаг и откройте крышку отсека аккумулятора.

► **Рис.13:** 1. Крышка аккумуляторной батареи
2. Стопорный рычаг

2. Совместите язычок на блоке аккумулятора с канавкой на машине и вставьте блок до легкого щелчка.

► **Рис.14:** (1) Аккумуляторный отсек 1
(2) Аккумуляторный отсек 2 (3) Блок аккумулятора

ПРИМЕЧАНИЕ: Установите как минимум 2 блока аккумулятора в аккумуляторный отсек 1 или 2.

3. Вставьте ключ блокировки до упора в точку, показанной на рисунке.

► **Рис.15:** 1. Ключ блокировки

4. Закройте крышку аккумулятора и нажмите на нее до фиксации рычагом блокировки.

Снятие блока аккумулятора

1. Потяните вверх стопорный рычаг и откройте крышку аккумуляторного отсека.

2. Потяните блок аккумулятора из машины, удерживая нажатой кнопку на лицевой стороне, и извлеките блок.

3. Извлеките ключ блокировки.

4. Закройте крышку аккумулятора.

Переключение блоков аккумулятора

► **Рис.16:** 1. Переключатель аккумуляторов

В этой машине для работы одновременно используется 2 блока аккумулятора. В машину можно установить до 4 блоков аккумулятора. Перед началом эксплуатации машины выберите аккумуляторный отсек 1 или 2, повернув переключатель аккумуляторов.

ПРИМЕЧАНИЕ: Если на машину установлено только 2 блока аккумулятора, выберите аккумуляторный отсек, в который установлены блоки аккумулятора, с помощью переключателя аккумуляторов.

Система защиты машины / аккумулятора

На машине предусмотрена система защиты машины / аккумулятора. Эта система автоматически отключает питание двигателя для продления срока службы машины и аккумулятора. Машина автоматически отключится в указанных далее случаях, влияющих на работу самой машины или аккумулятора.

Защита от перегрузки

Если из-за способа эксплуатации аккумулятор потребляет аномально высокий ток, машина автоматически выключится, а основной индикатор питания начнет мигать зеленым. В этом случае отключите машину и прекратите работу, из-за которой произошла перегрузка. Затем включите машину для перезапуска.

Защита от перегрева

При перегреве машины или аккумулятора машина автоматически останавливается, а основной индикатор питания начинает гореть красным. В этом случае дайте машине и аккумулятору остыть перед повторным включением.

Защита от переразрядки

Если емкости аккумулятора недостаточно, машина остановится автоматически, а основной индикатор питания начнет мигать красным. В этом случае следует извлечь из машины аккумулятор и зарядить блоки аккумуляторов или заменить их на полностью заряженные.

Индикация оставшегося заряда аккумулятора

Только для блоков аккумулятора с индикатором

► **Рис.17:** 1. Индикаторы 2. Кнопка проверки

Нажмите кнопку проверки на аккумуляторном блоке для проверки заряда. Индикаторы загорятся на несколько секунд.

Индикаторы			Уровень заряда
Горит	Выкл.	Мигает	
■	□	▬	от 75 до 100%
■	■	□	от 50 до 75%
■	□	□	от 25 до 50%
■	□	□	от 0 до 25%
▬	□	□	Зарядите аккумуляторную батарею.
■	■	□	Возможно, аккумуляторная батарея неисправна.
□	□	■	

ПРИМЕЧАНИЕ: В зависимости от условий эксплуатации и температуры окружающего воздуха индикация может незначительно отличаться от фактического значения.

Панель управления

На панели управления находятся главный переключатель питания, кнопка переключения режимов и индикатор емкости аккумулятора.

► **Рис. 18:** 1. Индикатор аккумулятора 2. Индикатор переключения режимов 3. Основной индикатор питания 4. Кнопка проверки 5. Кнопка переключения режимов 6. Главный переключатель питания

Главный переключатель питания

▲ ОСТОРОЖНО: Держите основной переключатель питания выключенным, когда он не используется.

Для включения устройства нажмите главный переключатель питания. Основной индикатор питания загорится зеленым светом. Для выключения устройства нажмите главный переключатель питания еще раз.

ПРИМЕЧАНИЕ: Если основным индикатором питания загорится красный или начнет мигать красным или зеленым, см. раздел инструкции по системе защиты машины или аккумулятора.

ПРИМЕЧАНИЕ: Эта машина оснащена функцией автоматического отключения. Для предотвращения случайного запуска главный переключатель питания автоматически отключается, если не нажимать рычажный выключатель и рычаг привода (если установлены) в течение определенного периода времени после включения главного переключателя питания.

Кнопка переключения режимов

Переключить режим работы можно нажатием кнопки переключения режимов. После включения машины она начинает работу в нормальном режиме. При нажатии кнопки переключения режимов машина переключается в режим снижения уровня шума, а индикатор переключения режимов загорается зеленым светом. В режиме снижения уровня шума можно уменьшить уровень шума при скашивании. Если нажать кнопку переключения режимов еще раз, машина снова перейдет в нормальный режим.

Индикация оставшегося заряда аккумулятора

Нажмите кнопку проверки для проверки заряда аккумулятора. Индикаторы соответствуют каждому аккумулятору.

Состояние индикатора аккумуляторной батареи		Уровень емкости аккумулятора
Вкл.	Выкл.	
		50 - 100 %
		20 - 50 %
		0 - 20 %

ПРИМЕЧАНИЕ: Показания индикаторов оставшейся емкости аккумулятора могут использоваться только в качестве ориентировочных данных. Фактическая емкость аккумулятора может отличаться в зависимости от условий использования.

ПРИМЕЧАНИЕ: Остановите машину, прежде чем нажимать кнопку проверки заряда аккумулятора.

Действие выключателя

▲ ОСТОРОЖНО: Перед установкой блока аккумулятора обязательно убедитесь в том, что рычажный выключатель работает правильно и возвращается в исходное положение после отпущения. Эксплуатация машины с неисправным переключателем может привести к потере контроля над ней и получению тяжелой травмы.

ПРИМЕЧАНИЕ: Если не нажать кнопку включения, газонокосилка не запустится, даже если потянуть рычажный выключатель.

ПРИМЕЧАНИЕ: Газонокосилка может не запуститься по причине перегрузки, если вы косите высокую или густую траву. В таком случае увеличьте высоту стрижки.

Эта газонокосилка оснащена ключом блокировки и рукояткой с выключателем. Заметив какие-либо отклонения в работе ключа блокировки или выключателя, немедленно прекратите работу и проверьте их в ближайшем авторизованном сервисном центре Makita.

Действия при работе с DLM462/DLM532

1. Установите блоки аккумуляторов. Вставьте ключ блокировки и закройте крышку отсека аккумулятора.
2. Выберите блоки аккумуляторов для работы, повернув переключатель аккумуляторов.
3. Нажмите главный переключатель питания.
4. Потяните рычажный выключатель к себе, удерживая кнопку включения / выключения питания. Как только двигатель заработает, отпустите кнопку включения.

► **Рис.19:** 1. Кнопка включения 2. Рычаг переключателя

ПРИМЕЧАНИЕ: Если ключ блокировки не вставлен, при нажатии на пусковой рычаг индикатор питания начнет мигать зеленым.

5. Удерживая рычажный выключатель, нажмите рычаг привода вперед и удерживайте для снятия блокировки задних колес.

► **Рис.20:** 1. Рычаг привода

ПРИМЕЧАНИЕ: Задние колеса можно привести в движение, нажав рычаг привода вперед и удерживая его без нажатия рычажного выключателя.

6. Чтобы остановить машину, отпустите рычаг привода и рычажный выключатель.

Действия при работе с DLM530

1. Установите блоки аккумуляторов. Вставьте ключ блокировки и закройте крышку отсека аккумулятора.
2. Выберите блоки аккумуляторов для работы, повернув переключатель аккумуляторов.
3. Нажмите главный переключатель питания.
4. Потяните рычажный выключатель к себе, удерживая кнопку включения / выключения питания. Как только двигатель заработает, отпустите кнопку включения.

► **Рис.21:** 1. Кнопка включения 2. Рычаг переключателя

ПРИМЕЧАНИЕ: Если ключ блокировки не вставлен, при нажатии на пусковой рычаг индикатор питания начнет мигать зеленым.

5. Для выключения двигателя отпустите рычажный выключатель.

Регулировка высоты стрижки

⚠ОСТОРОЖНО: При регулировке высоты стрижки не подсовывайте руку или ногу под газонокосилку.

⚠ОСТОРОЖНО: Перед началом работы обязательно проверяйте, что рычаг хорошо входит в паз.

Высота скашивания можно регулировать в диапазоне от 20 мм до 100 мм.

Вытащите ключ блокировки, потяните рычаг регулировки высоты скашивания наружу относительно корпуса газонокосилки и переместите его в положение, соответствующее желаемой высоте скашивания.

► **Рис.22:** 1. Рычаг регулировки высоты скашивания

В таблице ниже показано соотношение цифр на корпусе газонокосилки и приблизительной высоты скашивания.

Цифра	Высота скашивания
1	20 мм
2	26 мм
3	32 мм
4	39 мм
5	47 мм
6	55 мм
7	63 мм
8	74 мм
9	86 мм
10	100 мм

Возьмитесь одной рукой за переднюю рукоятку или нижнюю рукоятку и перемещайте рычаг регулировки высоты скашивания второй рукой.

► **Рис.23:** 1. Рычаг регулировки высоты скашивания 2. Нижняя рукоятка 3. Передняя рукоятка

ПРИМЕЧАНИЕ: Значения высоты стрижки приведены только для справки. В зависимости от состояния газона и почвы конечная высота скошенной травы может незначительно отличаться от заданной.

ПРИМЕЧАНИЕ: Чтобы добиться желаемой высоты, выполните пробное скашивание на не слишком заметном участке газона.

Индикатор уровня травы

Индикатор уровня травы показывает объем скошенной травы. Если корзина для травы не заполнена до верха, индикатор перемещается во время работы лезвий.

► **Рис.24:** 1. Индикатор уровня травы

Если корзина для травы почти заполнена, индикатор не перемещается во время работы лезвий. В этом случае немедленно прекратите работу и опорожните корзину.

► **Рис.25:** 1. Индикатор уровня травы

ПРИМЕЧАНИЕ: Данный индикатор показывает приблизительный объем. В зависимости от условий внутри корзины индикатор может работать с ошибками.

Регулировка высоты рукоятки

ВНИМАНИЕ: Прежде чем удалить болты, крепко возьмитесь за верхнюю рукоятку. Несоблюдение данного требования может привести к получению травм при падении рукоятки.

Рукоятка имеет двухступенчатую регулировку высоты.

1. Удалите верхние болты нижней рукоятки торцевым ключом на 13 и ослабьте нижние болты.

► **Рис.26:** 1. Верхний болт 2. Нижний болт

2. Отрегулируйте высоту ручки и плотно затяните верхний и нижний болты.

Регулировка скорости передвижения

Действия при работе с DLM462/DLM532

► **Рис.27:** 1. Рычаг регулировки скорости

Скорость передвижения можно отрегулировать рычагом регулировки скорости. Для уменьшения скорости потяните рычаг на себя, для увеличения скорости нажмите рычаг вперед.

Использование вставки для мульчирования

Вставка для мульчирования позволяет сбрасывать измельченную траву обратно на газон без сбора в корзину для травы. При работе с машиной, на которой установлена вставка для мульчирования, снимите корзину для травы.

ПРИМЕЧАНИЕ: При использовании машины со вставкой для мульчирования убедитесь в том, что общая длина травы составляет не менее 30 мм или длина среза не превышает 15 мм.

► **Рис.28:** (1) 30 мм или больше (2) 15 мм или меньше

Использование насадки для выброса травы

Действия при работе с DLM530/DLM532

Насадка для выброса травы позволяет сбрасывать измельченную траву обратно на газон с правой стороны газонокосилки, не собирая ее в корзину для травы. При работе с насадкой для выброса травы установите вставку для мульчирования и снимите корзину для травы.

Электронная функция

Для простоты эксплуатации устройство оснащено электронными функциями.

- Постоянное управление скоростью вращения лезвия
Электронное управление скоростью инструмента для достижения постоянной скорости. Возможность получения тонкой отделки, так как скорость вращения держится на постоянном уровне даже при условиях нагрузки.

- Плавный запуск во время приведения в движение
Функция плавного запуска уменьшает пусковой удар и смягчает запуск устройства.
- Электрический тормоз
Эта машина оснащена электрическим тормозом. Если после отпущения рычажного выключателя не каждый раз происходит быстрая остановка лезвий газонокосилки, отправьте машину в официальный сервисный центр Makita для обслуживания.

ЭКСПЛУАТАЦИЯ

Скашивание

ОСТОРОЖНО: Перед скашиванием убедитесь с газона ветки и камни. Кроме того, заблаговременно очистите газон от сорняков.

ОСТОРОЖНО: При использовании газонокосилки обязательно надевайте защитные очки с боковыми щитками.

ВНИМАНИЕ: Если внутри корпуса газонокосилки набилась скошенная трава или посторонние предметы, перед очисткой корпуса обязательно вытащите ключ блокировки и блок аккумулятора и наденьте перчатки.

ПРИМЕЧАНИЕ: Используйте машину только для стрижки газонов. Не используйте ее для скашивания сорняков.

► **Рис.29**

Во время работы крепко удерживайте рукоятку обеими руками. Рекомендуемая скорость скашивания составляет приблизительно от 7 до 14 метров за 10 секунд.

► **Рис.30**

Центральные линии на передних колесах показывают ширину полосы скашивания. Используйте их в качестве направляющих, косите полосами. Чтобы равномерно подстричь газон, захватывайте половину или третью часть предыдущей полосы.

► **Рис.31:** 1. Ширина скашивания 2. Зона захвата 3. Центральная линия

Каждый раз меняйте направление движения, чтобы избежать пригибания травы в одном направлении.

► **Рис.32**

Периодически проверяйте степень заполнения корзины для травы. Опорожните корзину, прежде чем она заполнится полностью. Перед каждой проверкой обязательно останавливайте газонокосилку и извлеките ключ блокировки и блок аккумулятора.

ПРИМЕЧАНИЕ: Эксплуатация газонокосилки с заполненной корзиной для травы мешает плавному вращению лезвия и оказывает дополнительную нагрузку на двигатель, что может привести к поломке.

Скашивание высокой травы

Не старайтесь скосить длинную траву за один заход. Вместо этого выполняйте работу в несколько этапов. Стригите газон с интервалом в один или два дня до тех пор, пока он не станет ровным.

► **Рис.33**

ПРИМЕЧАНИЕ: Скашивание высокой травы за один проход может стать причиной ее засыхания. Скошенная трава также может застрять в корпусе косилки.

Опорожнение корзины для травы

▲ ОСТОРОЖНО: Чтобы снизить риск несчастного случая, регулярно проверяйте корзину для травы на предмет повреждений и потери прочности. При необходимости замените ее.

1. Отпустите рычажный выключатель и рычаг привода (для DLM462/DLM532) или отпустите рычажный выключатель (для DLM530).
 2. Извлеките ключ блокировки.
 3. Откройте заднюю крышку и извлеките корзину для травы за специальную рукоятку.
- **Рис.34:** 1. Задняя крышка 2. Ручка 3. Корзина для травы
4. Опорожните корзину для травы.

ОБСЛУЖИВАНИЕ

▲ ОСТОРОЖНО: Перед помещением на хранение, переноской, осмотром или техническим обслуживанием газонокосилки обязательно вынимайте ключ блокировки и блок аккумулятора.

▲ ОСТОРОЖНО: Если газонокосилка не используется, обязательно извлеките ключ блокировки. Храните ключ блокировки в безопасном месте, недоступном для детей.

▲ ОСТОРОЖНО: При осмотре и обслуживании надевайте защитные перчатки.

▲ ОСТОРОЖНО: При осмотре и техническом обслуживании газонокосилки обязательно надевайте защитные очки с боковыми щитками.

ПРИМЕЧАНИЕ: Запрещается использовать бензин, растворители, спирт и другие подобные жидкости. Это может привести к обесцвечиванию, деформации и трещинам.

Для обеспечения БЕЗОПАСНОСТИ и НАДЕЖНОСТИ оборудования ремонт, любое другое техобслуживание или регулировку необходимо производить в уполномоченных сервис-центрах Makita или сервис-центрах предприятия с использованием только сменных частей производства Makita.

Обслуживание

1. Вытащите ключ блокировки и блоки аккумуляторов и закройте крышку отсека аккумулятора.
2. Положите газонокосилку на бок, чтобы рычаг регулировки высоты скашивания оказался сверху. Удалите обрезки травы с днища газонокосилки.
3. Вода должна стекать к нижней части устройства, где крепится лезвие.

ПРИМЕЧАНИЕ: Запрещается мыть устройство струей воды с высоким напором.

4. Проверьте надежность затяжки всех гаек, болтов, винтов и т. п.
5. Осмотрите подвижные части на предмет повреждений, поломок и износа. Необходимо отремонтировать или заменить поврежденные компоненты.
6. Храните газонокосилку в безопасном месте, недоступном для детей.

Действия при работе с DLM462/DLM532

ПРИМЕЧАНИЕ: Не допускайте попадания воды на зону, показанную на рисунке. Попадание воды на узел двигателя может привести к неисправности машины.

- **Рис.35:** 1. Зона, куда не следует допускать попадания воды

Переноска газонокосилки

При переноске газонокосилки два человека должны удерживать ее за переднюю рукоятку и за заднюю рукоятку, как показано на рисунке.

- **Рис.36:** 1. Передняя рукоятка 2. Задняя рукоятка

Хранение

Храните газонокосилку в помещении, в сухом, прохладном, запираемом месте. Не храните газонокосилку и зарядное устройство в местах, где температура может подниматься до 40 °C и выше.

Снятие или установка лезвия косилки

▲ ОСТОРОЖНО: После отпускания выключателя лезвие продолжает вращаться по инерции в течение нескольких секунд. Не приступайте к выполнению каких-либо операций, пока лезвие полностью не остановится.

▲ ОСТОРОЖНО: Обязательно извлекайте ключ блокировки и блок аккумулятора при снятии и установке лезвия. Невыполнение этого требования может привести к тяжелой травме.

▲ ОСТОРОЖНО: При работе с лезвием обязательно надевайте защитные перчатки.

Снятие лезвия газонокосилки

Для моделей, оснащенных прямым лезвием газонокосилки

1. Положите газонокосилку на бок, чтобы рычаг регулировки высоты стрижки оказался сверху.
2. Чтобы заблокировать лезвие, вставьте штифт в отверстие на корпусе газонокосилки.

3. Открутите болт против часовой стрелки торцевым ключом на 17.

► **Рис.37:** 1. Лезвие газонокосилки 2. Штифт 3. Торцевой ключ

4. Выкрутите болт, а затем снимите лезвие газонокосилки.

► **Рис.38:** 1. Опора лезвия 2. Лезвие газонокосилки 3. Болт 4. Выступ

ПРИМЕЧАНИЕ: Во время установки лезвия газонокосилки убедитесь в том, что выступы на опоре лезвия входят в отверстия на лезвии газонокосилки.

Для моделей, оснащенных откидными лезвиями газонокосилки

1. Положите газонокосилку на бок, чтобы рычаг регулировки высоты стрижки оказался сверху.

2. Для блокировки плиты основания вставьте штифт в отверстие на корпусе газонокосилки через отверстие на плите основания.

3. Открутите болт против часовой стрелки торцевым ключом на 17.

► **Рис.39:** 1. Штифт 2. Плита основания 3. Торцевой ключ

4. Выкрутите болт, а затем снимите плиту основания.

► **Рис.40:** 1. Опора лезвия 2. Плита основания 3. Болт 4. Выступ

ПРИМЕЧАНИЕ: Во время установки лезвий газонокосилки убедитесь в том, что выступы на опоре лезвия входят в отверстия на плите основания.

5. Чтобы снять отдельное лезвие газонокосилки, поверните болт против часовой стрелки торцевым ключом на 17, удерживая плиту основания.

► **Рис.41:** 1. Плита основания 2. Лезвие газонокосилки 3. Торцевой ключ

6. Последовательно удалите гайку, шайбу, пружинную шайбу, лезвие газонокосилки и болт.

► **Рис.42:** 1. Отверстие под болт 2. Болт 3. Лезвие газонокосилки 4. Пружинная шайба 5. Шайба 6. Гайка

ПРИМЕЧАНИЕ: Гайки для установки отдельных лезвий газонокосилки следует затягивать с моментом 30 Н·м.

ПРИМЕЧАНИЕ: Во время установки отдельного лезвия газонокосилки не забудьте установить пружинную шайбу в направлении, показанном на рисунке.

ПРИМЕЧАНИЕ: Во время установки отдельного лезвия газонокосилки не забудьте вставить болты в отверстия под болты, показанные на рисунке.

Установка лезвия газонокосилки

⚠ ОСТОРОЖНО: Осторожно установите лезвие газонокосилки. Лезвие имеет верхнюю и нижнюю сторону.

⚠ ОСТОРОЖНО: Надежно затяните болт по часовой стрелке, чтобы зафиксировать лезвие.

⚠ ОСТОРОЖНО: Убедитесь в том, что лезвие газонокосилки и все крепежные детали установлены правильно и надежно затянуты.

⚠ ОСТОРОЖНО: При замене лезвий всегда следуйте инструкциям, приведенным в этом руководстве.

ПРИМЕЧАНИЕ: После установки лезвий газонокосилки извлеките штифт из корпуса газонокосилки.

Установка лезвий газонокосилки выполняется в порядке, обратном процедуре снятия.

ПОИСК И УСТРАНЕНИЕ НЕИСПРАВНОСТЕЙ

Прежде чем обращаться по поводу ремонта, проведите осмотр самостоятельно. Если обнаружена неисправность, не указанная в руководстве, не пытайтесь разобрать инструмент. Обратитесь в один из авторизованных сервисных центров Makita, в которых для ремонта используются только оригинальные детали Makita.

Состояние неисправности	Возможная причина (неисправности)	Способ устранения
Газонокосилка не запускается.	Не установлены два блока аккумулятора.	Установите два заряженных блока аккумулятора.
	Неисправен аккумулятор (пониженное напряжение)	Зарядите блок аккумулятора. Если перезарядка не помогает, замените блок аккумулятора.
	Ключ блокировки не вставлен.	Вставьте ключ блокировки.
	Переключатель аккумуляторов находится в неправильном положении.	Переключателем аккумуляторов выберите аккумуляторный отсек, в который установлены блоки аккумулятора.
После непродолжительного использования двигатель останавливается.	Низкий уровень заряда аккумулятора.	Зарядите блок аккумулятора. Если перезарядка не помогает, замените блок аккумулятора.
	Установлена слишком малая высота срезания.	Увеличьте высоту срезания.
	Засорение газонокосилки срезанной травой.	Удалите траву из газонокосилки.
Двигатель не достигает максимальной частоты вращения.	Неправильно установлен блок аккумулятора.	Вставьте блок аккумулятора, как описано в этом руководстве.
	Заряд аккумулятора падает.	Зарядите блок аккумулятора. Если перезарядка не помогает, замените блок аккумулятора.
	Привод работает неправильно.	Обратитесь в местный авторизованный центр для ремонта.
Лезвие газонокосилки не вращается: ⇒ немедленно выключите косилку!	Посторонний объект (например, ветка) застрял рядом с лезвием.	Удалите посторонний предмет.
	Привод работает неправильно.	Обратитесь в местный авторизованный центр для ремонта.
Сильная вибрация: ⇒ немедленно выключите косилку!	Лезвие разбалансировано, изношено слишком сильно или неравномерно.	Замените лезвие.

ДОПОЛНИТЕЛЬНЫЕ ПРИНАДЛЕЖНОСТИ

ВНИМАНИЕ: Эти принадлежности или насадки рекомендованы для использования с машиной Makita, указанной в этом руководстве. Использование других принадлежностей или насадок может привести к травме. Используйте принадлежность или насадку только по назначению.

Если вам необходимо содействие в получении дополнительной информации по этим принадлежностям, свяжитесь с вашим сервис-центром Makita.

- Лезвие газонокосилки
- Оригинальный аккумулятор и зарядное устройство Makita

ПРИМЕЧАНИЕ: Некоторые элементы из списка могут входить в комплект машины в качестве стандартных принадлежностей. Они могут различаться в зависимости от страны.

Makita Europe N.V. Jan-Baptist Vinkstraat 2,
3070 Kortenberg, Belgium

Makita Corporation 3-11-8, Sumiyoshi-cho,
Anjo, Aichi 446-8502 Japan

www.makita.com

885760-988
EN, SV, NO, FI, LV,
LT, ET, RU
20191017