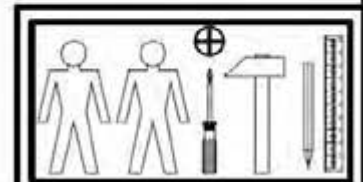
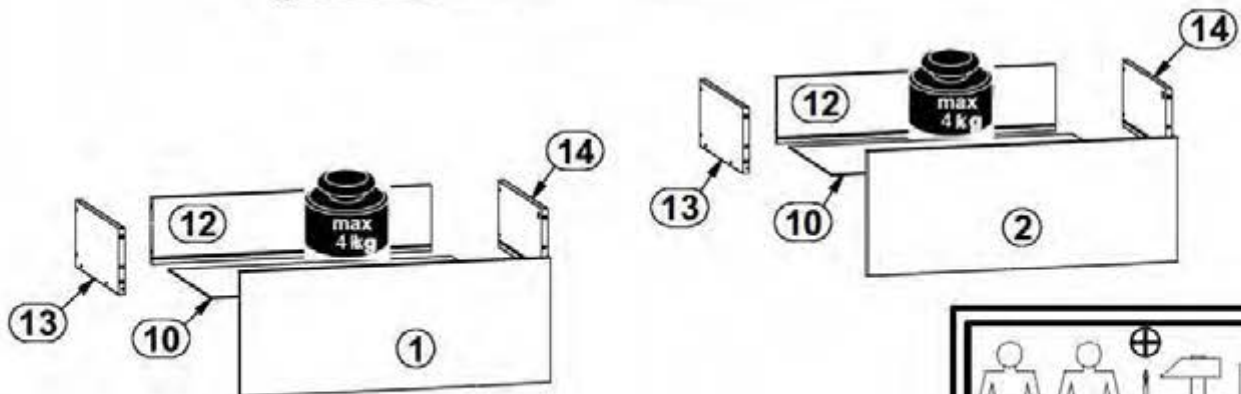
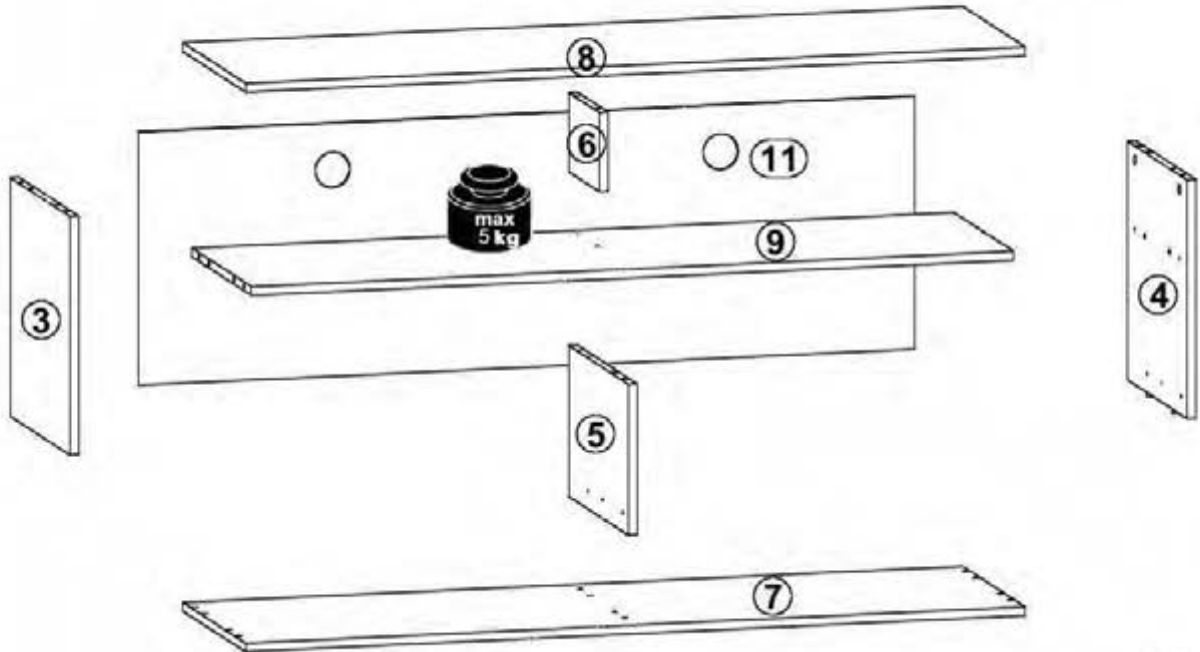
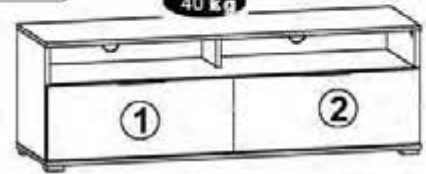


A

ZLATA

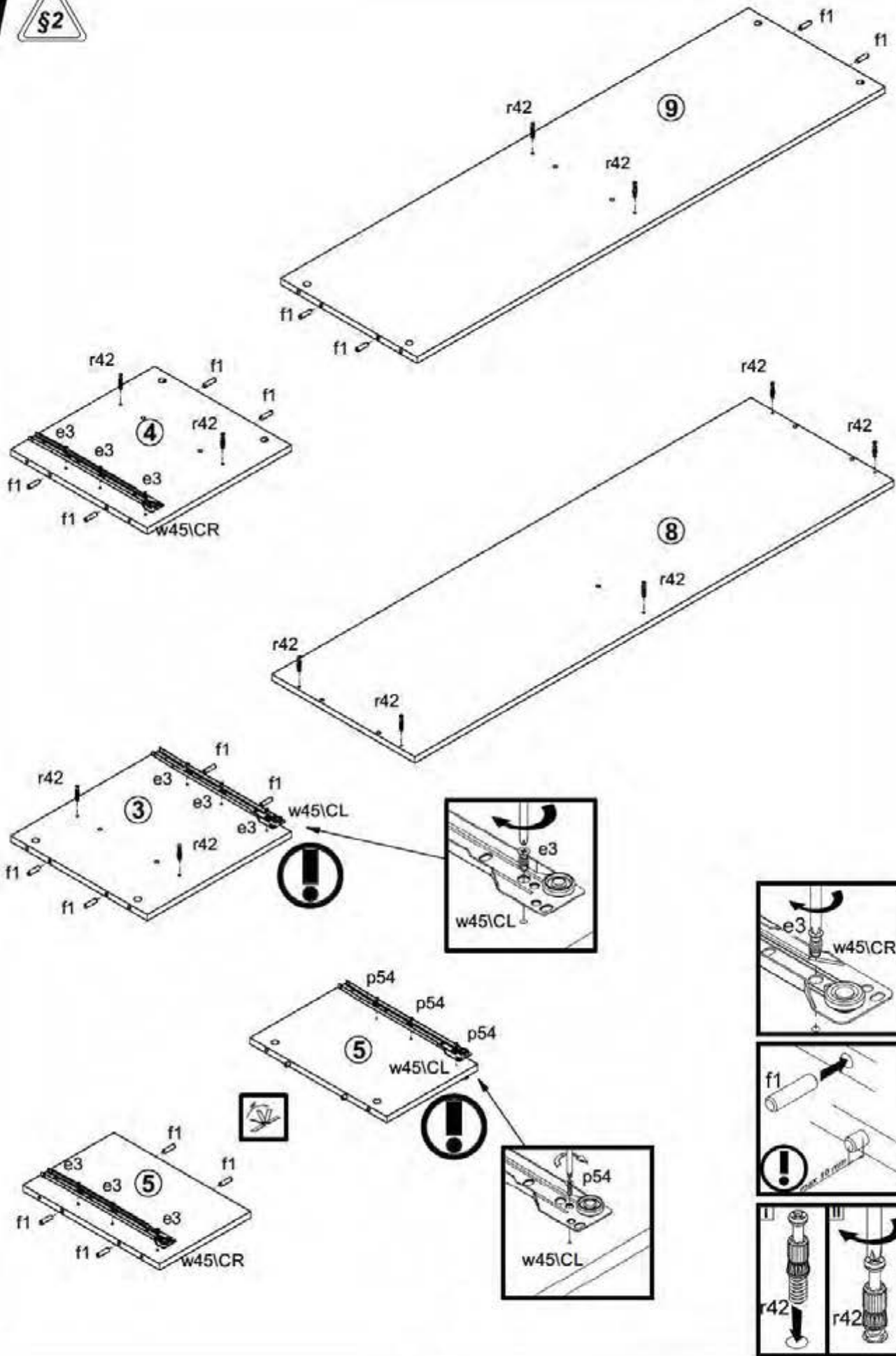
RTV2S

A	B	C	D	A	B	C	D		
1	S383 0008	671	264	2/2	8	S383 22012	1350	403	1/2
2	S383 0009	671	264	2/2	9	S383 33007	1317	380	1/2
3	S383 11014	405	385	1/2	10	S383 99005	603	348	1/2
4	S383 11015	405	385	1/2	11	S383 99006	1344	432	1/2
5	S383 11016	256	385	1/2	12	ZP 5515	593	140	1/2
6	S383 11017	134	200	1/2	13	BP 511	350	140	1/2
7	S383 22011	1350	403	1/2	14	BP 512	350	140	1/2

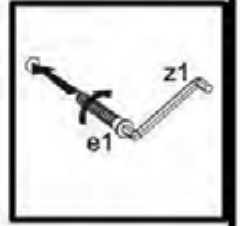
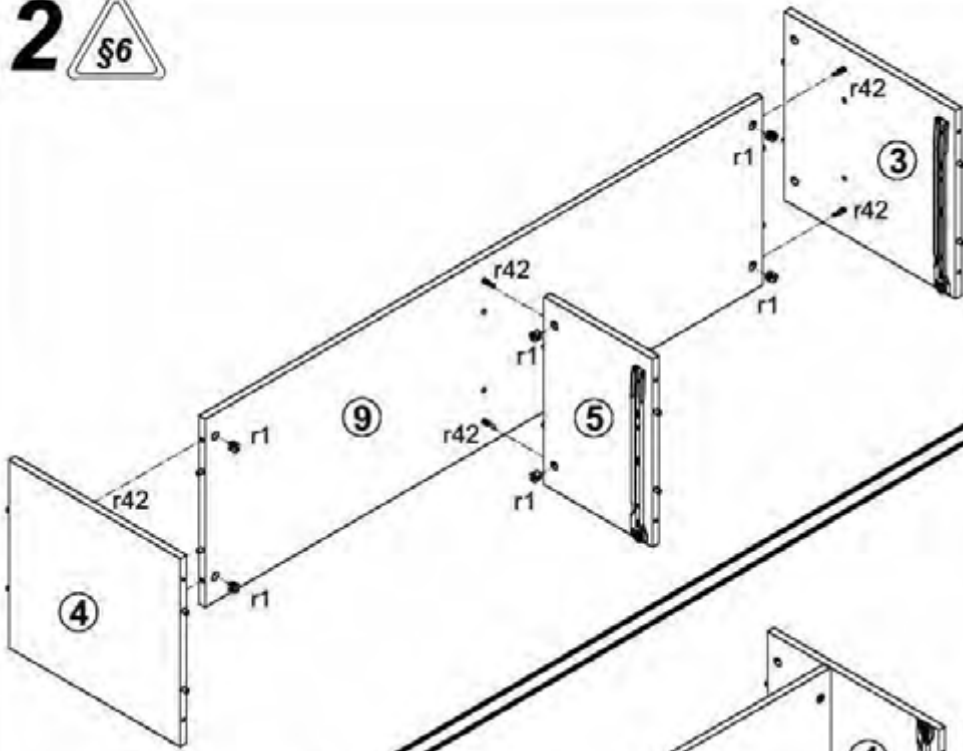


2x 120mm c409	6x Ø7x59 mm e1	19x Ø6x13 mm e3	8x Ø5x3 mm e19	18x Ø5x22 mm f1	4x Ø5x30 mm f9	8x Ø5.5x42 mm f25	5x k8211	5x k8212
55x l1	4x Ø3.5x16 mm p25	3x Ø3x12 mm p54	4x Ø4x13 mm p93	20x Ø1.5x12 mm #16 r1	8x Ø16mm o21	20x Ø11 r42	2x 332 mm t19	2x 350 mm w45\CL
2x 350 mm w45\CR	2x 350 mm w45\DL	2x 350 mm w45\DR	7x Ø16 s2	1x 4 mm z1				
							1x n26\1	1x Ø3.5x16 mm p38

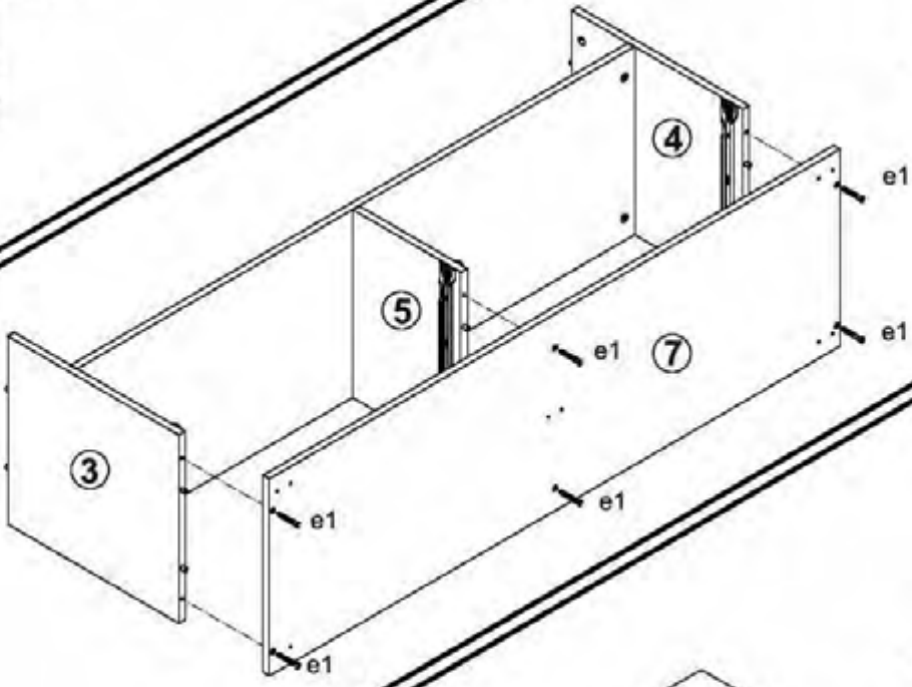
1 



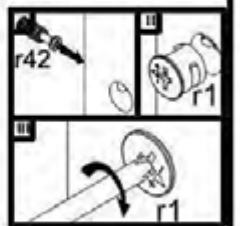
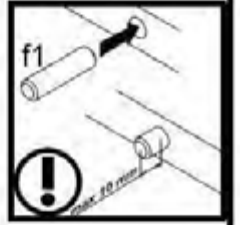
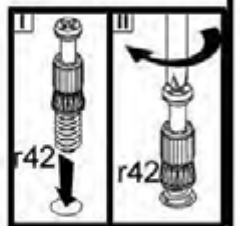
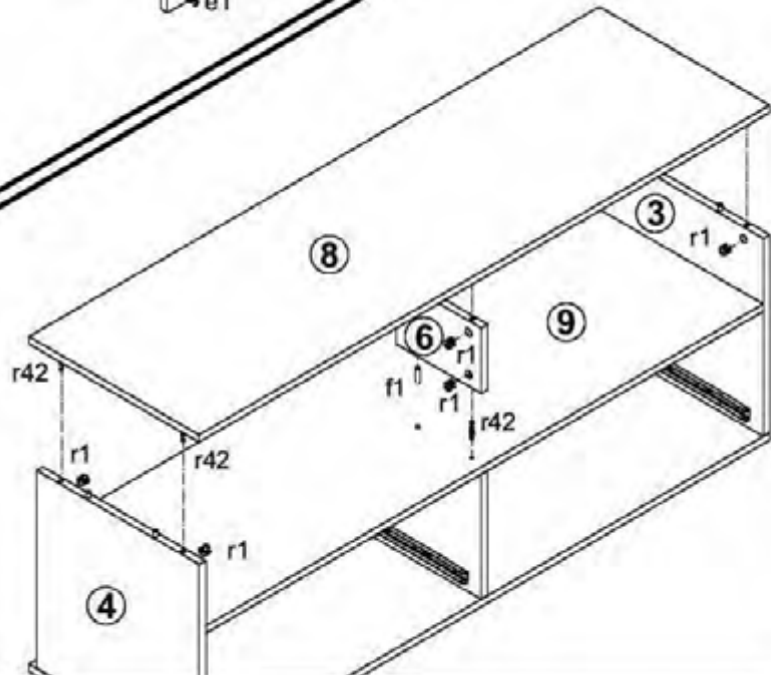
2 §6

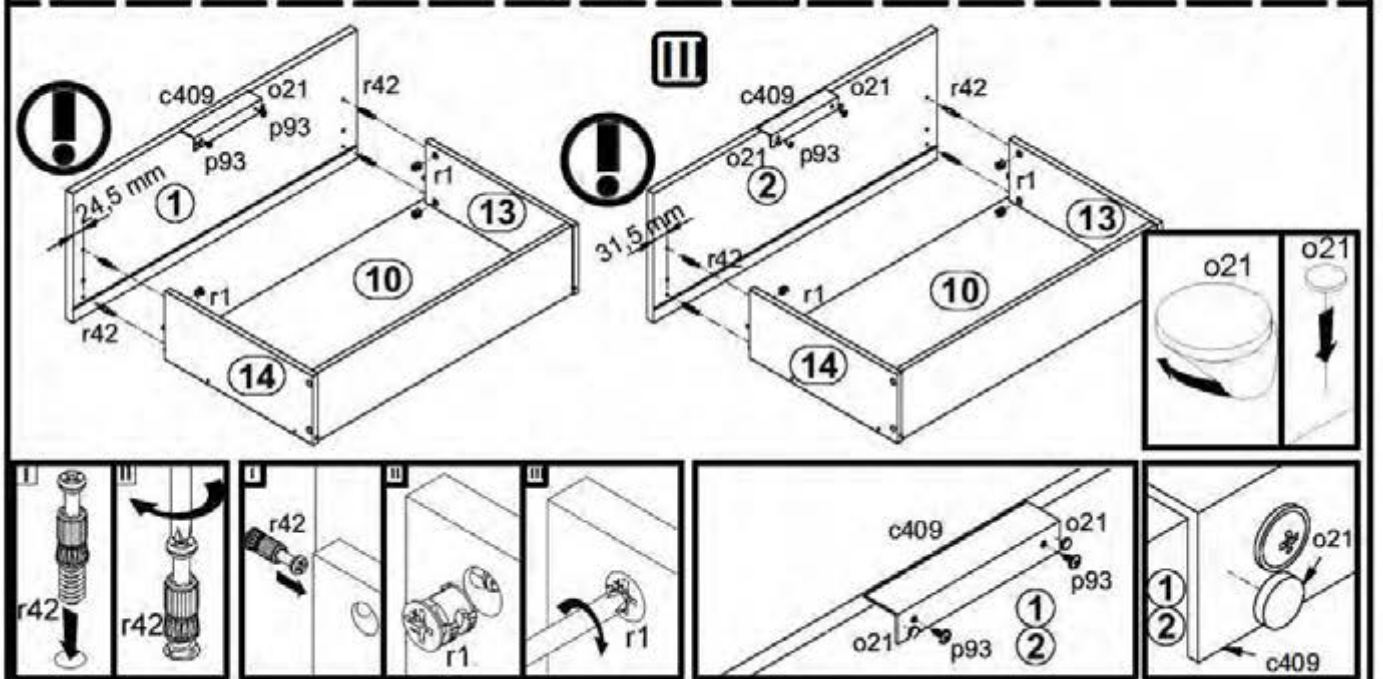
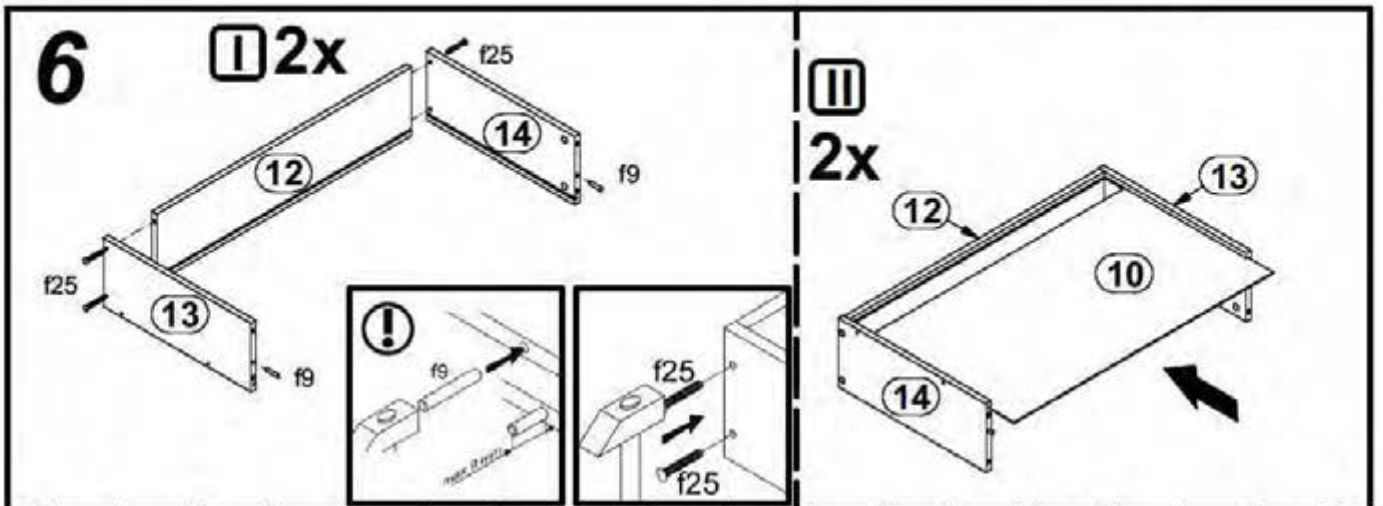
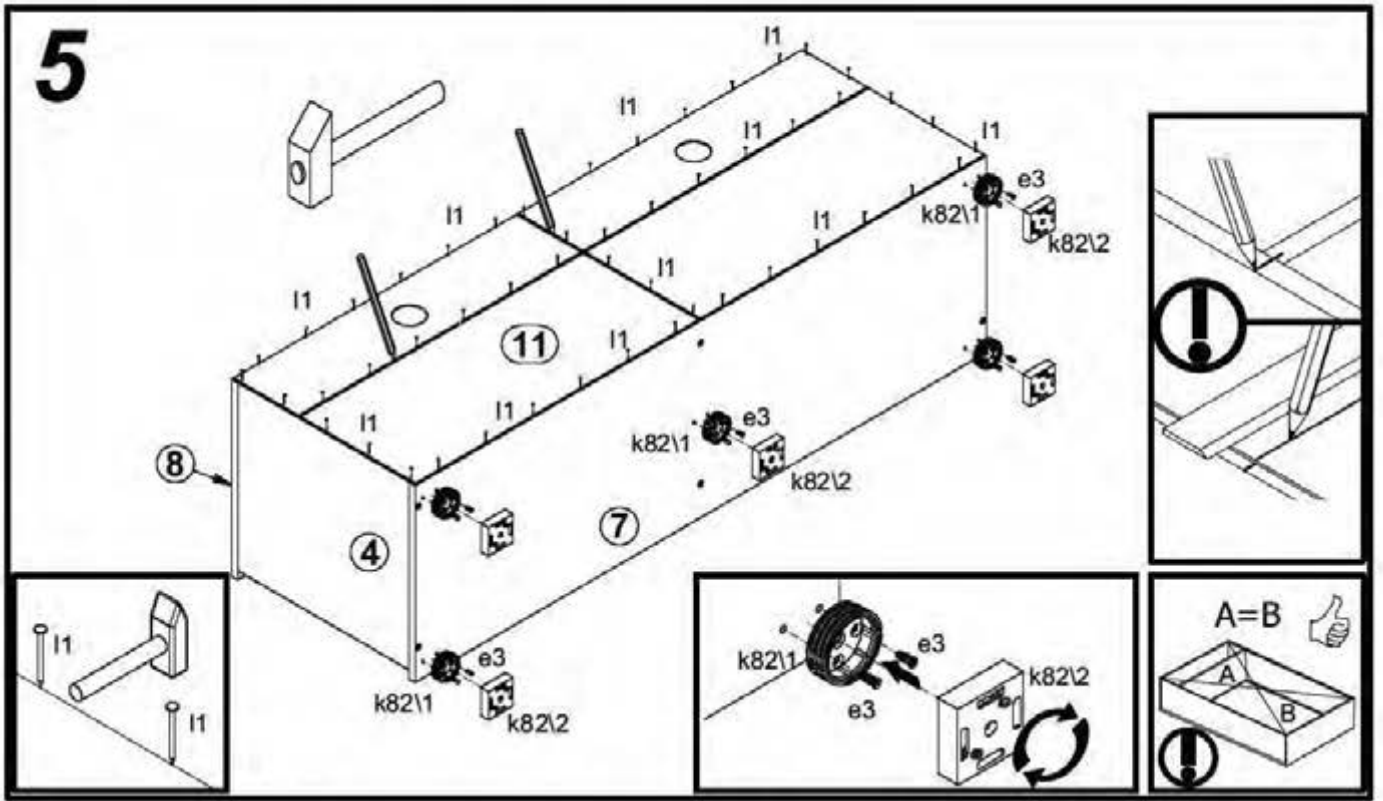


3



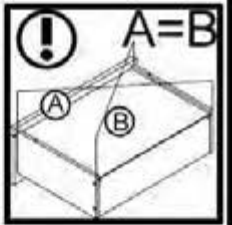
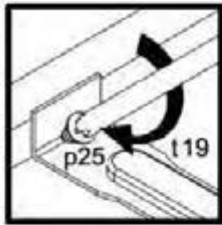
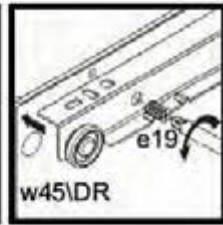
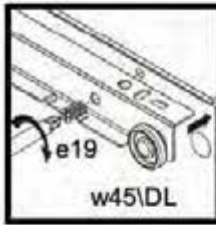
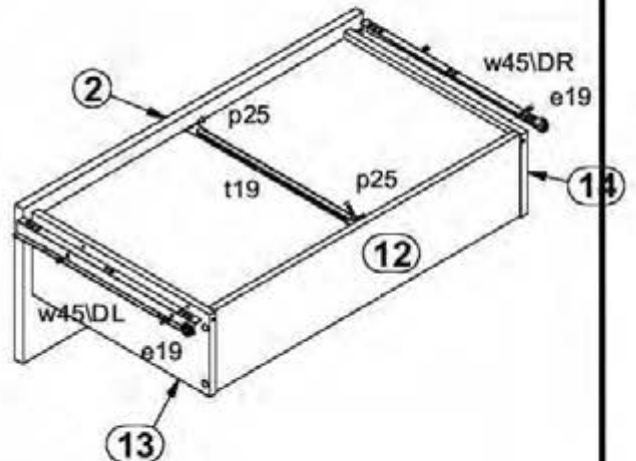
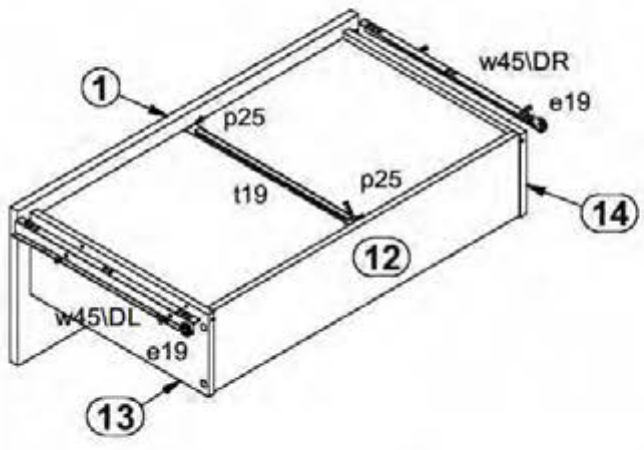
4





6

IV



7

