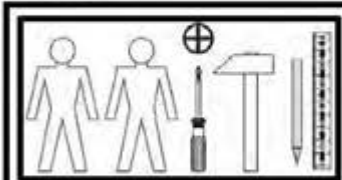
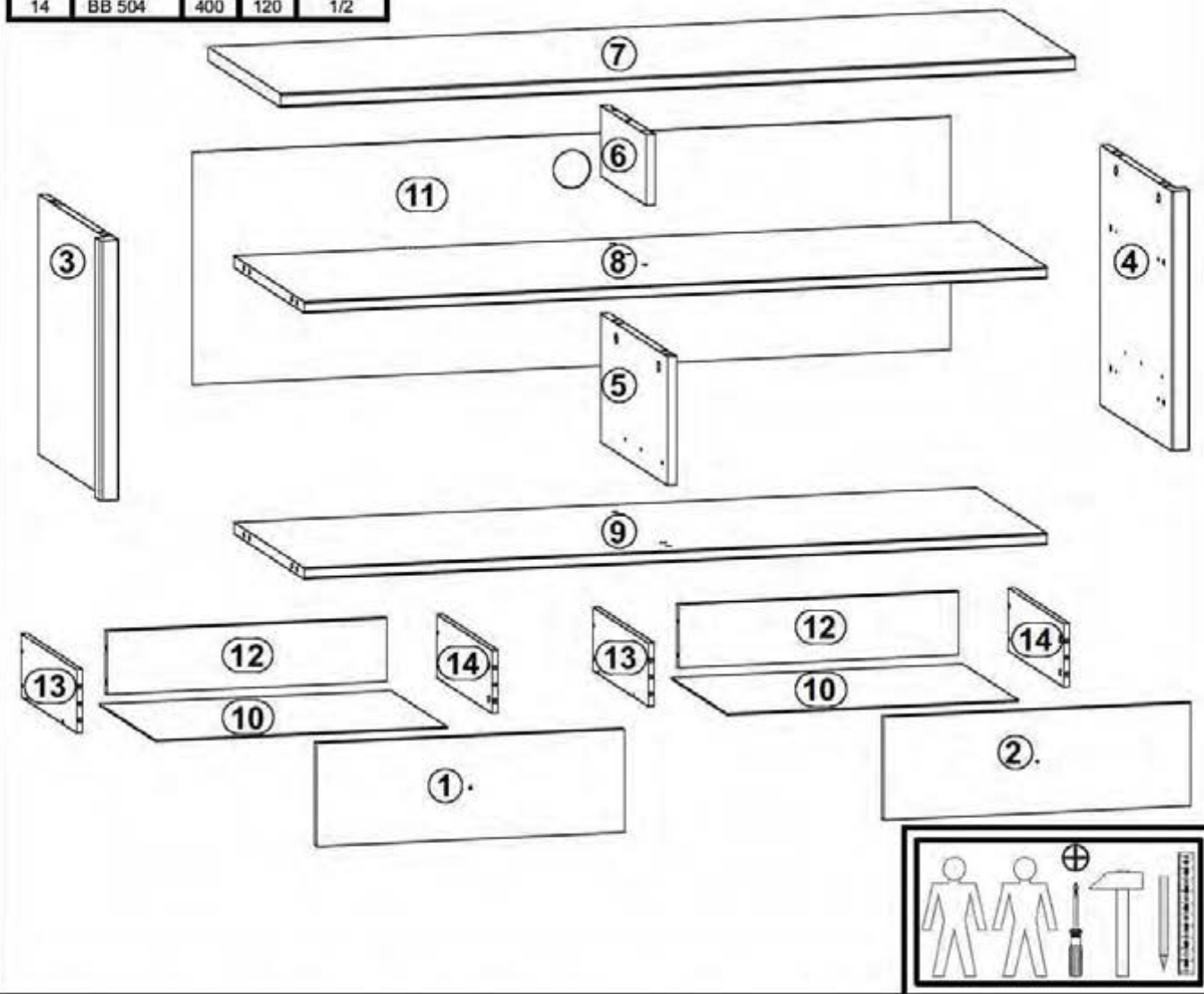
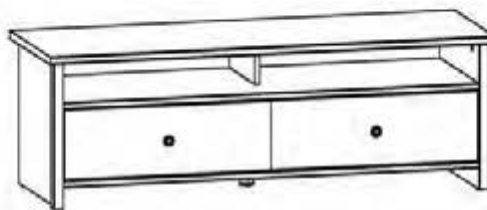
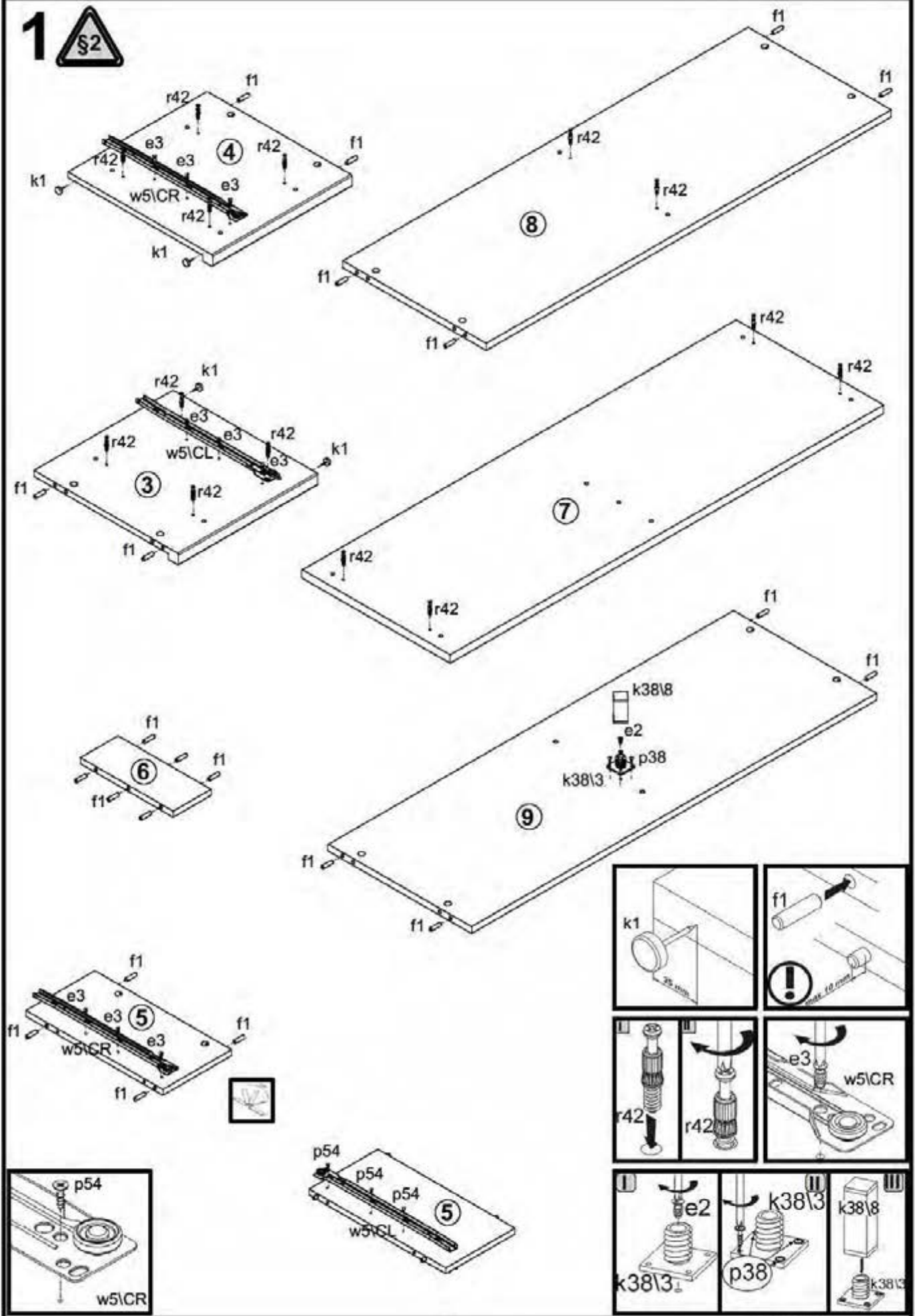


A	B	C	D	
1	S322 0005	595	196	2/2
2	S322 0006	595	196	2/2
3	S322 1105	412	428	1/2
4	S322 1106	412	428	1/2
5	S322 1107	204	405	1/2
6	S322 1108	112	275	1/2
7	S322 2203	1283	439	1/2
8	S322 3302	1199	425	1/2
9	S322 3303	1199	425	1/2
10	S322 9907	565	405	1/2
11	S322 9908	369	1226	1/2
12	ZB 5508	535	120	1/2
13	BB 503	400	120	1/2
14	BB 504	400	120	1/2

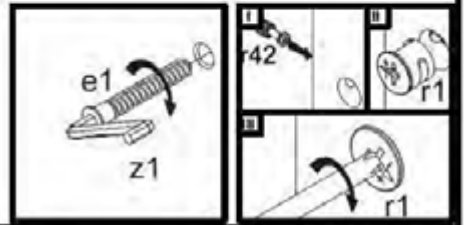
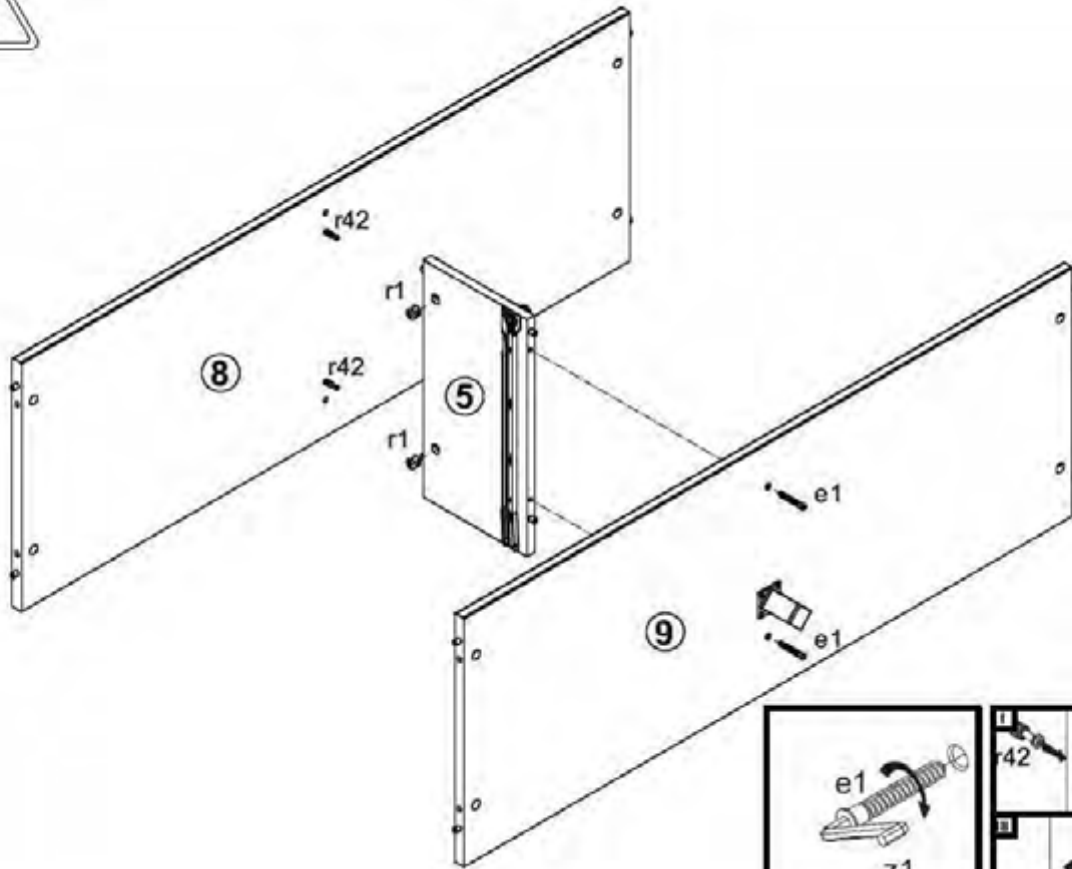


2x c415	2x e1 Ø7x50 mm	1x e2 Ø5.3x13 mm	9x e3 Ø6x13 mm	8x e19 Ø2.5x8 mm	26x f1 Ø8x20 mm	8x f25 Ø9.5x40 mm	2x j1 Ø4x20 mm	4x k1
1x k3813	1x k3818	45x l1	12x p38 Ø2.5x10 mm	3x p54 Ø2x12 mm	22x r1 Ø19x12 mm #19	22x r42 Ø19x12 mm #19	2x w51CL 400 mm	2x w51CR 400 mm
2x w51DL 400 mm	2x w51DR 400 mm	1x z1	5x s2					

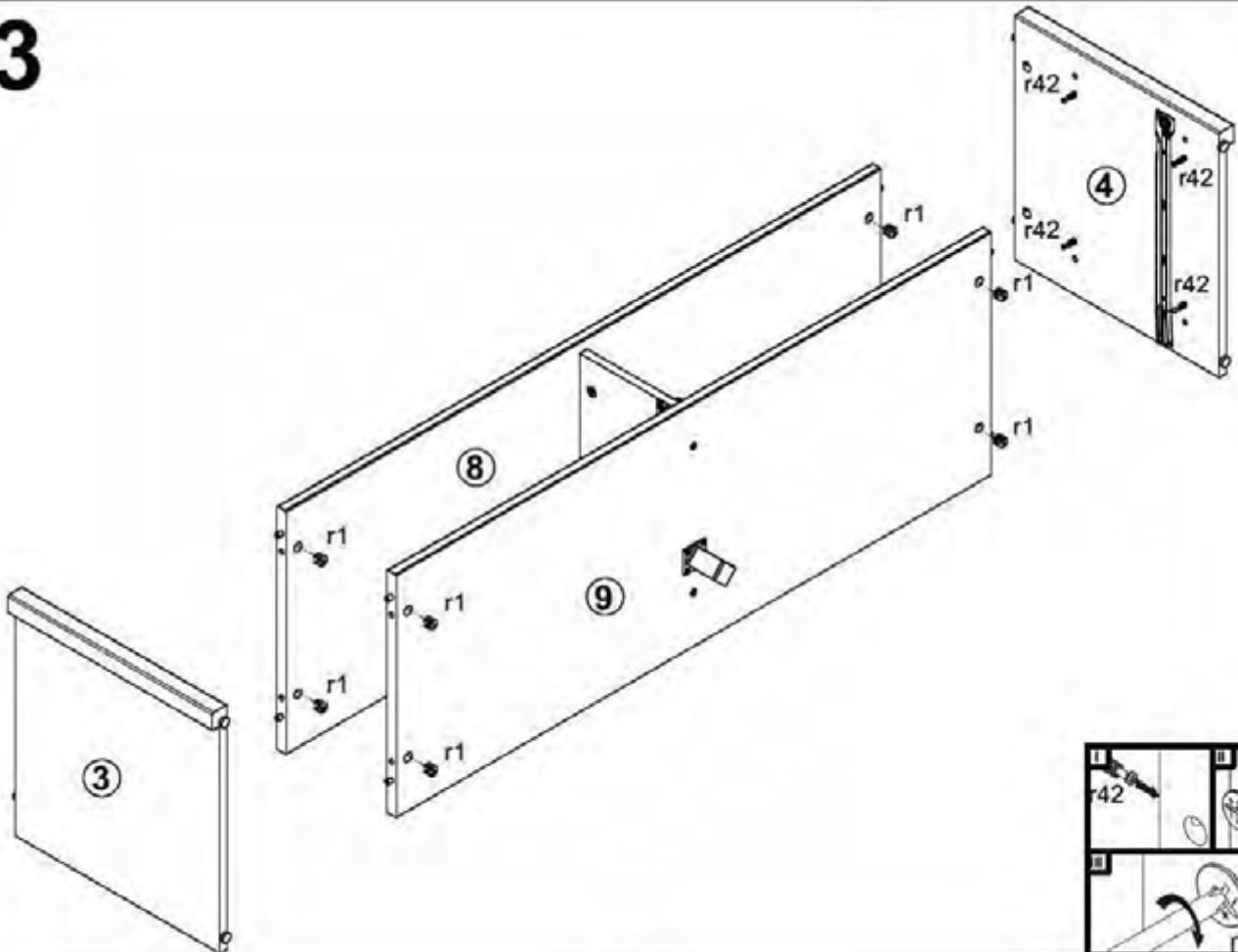
1 



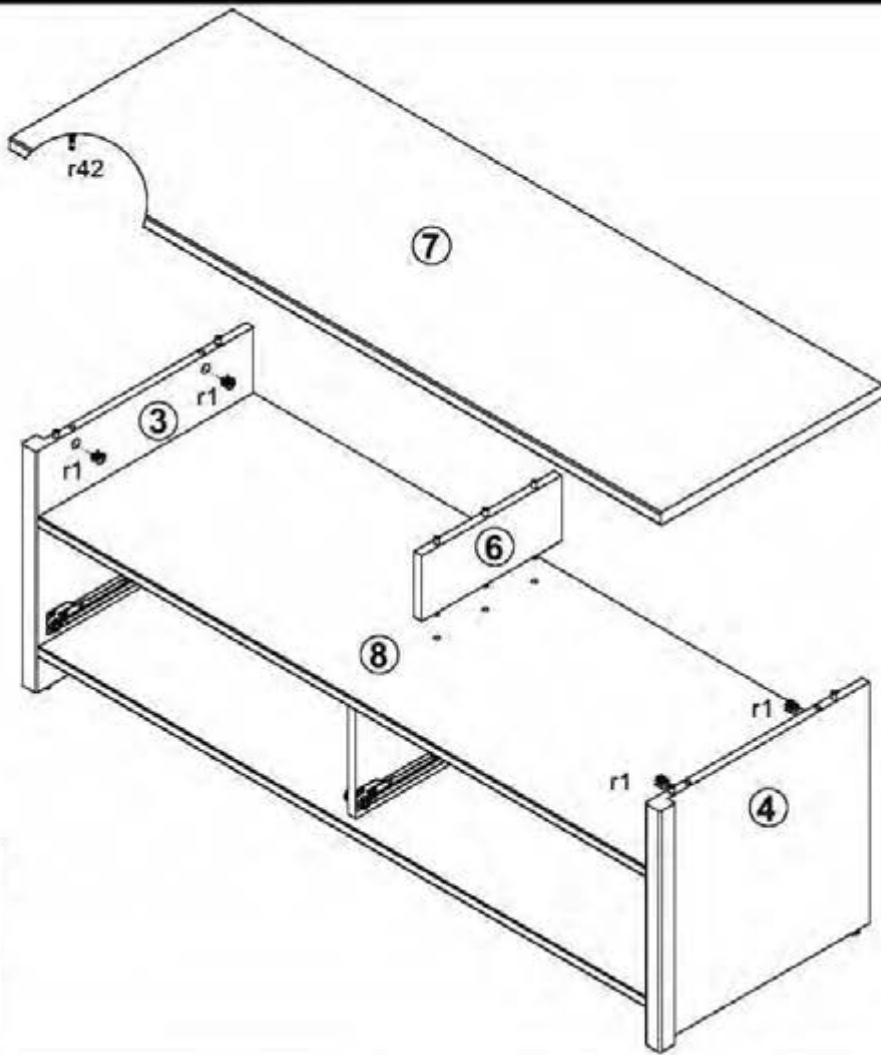
2



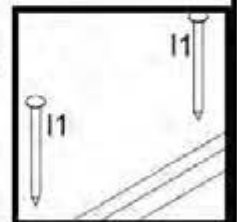
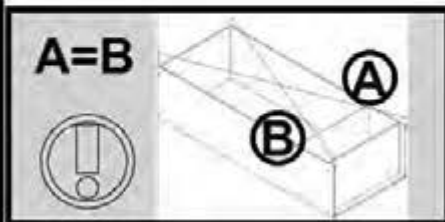
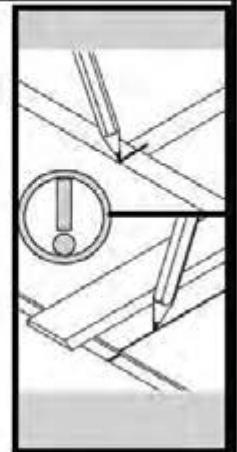
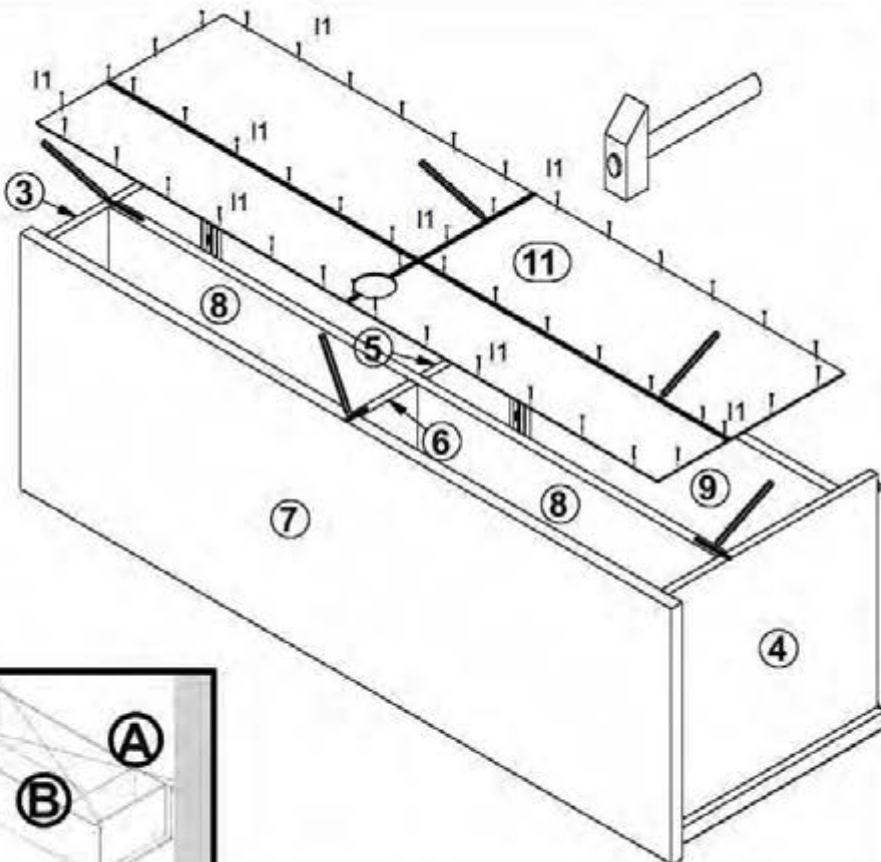
3



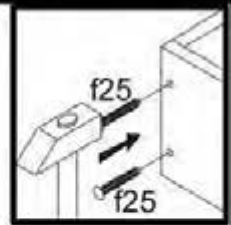
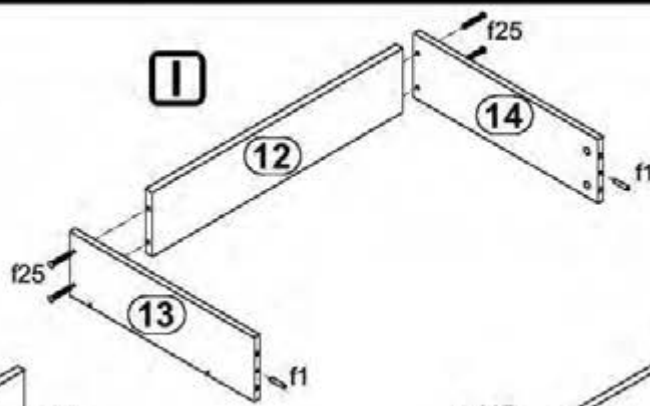
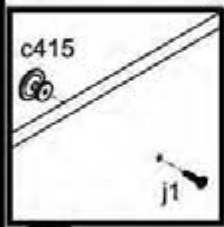
4



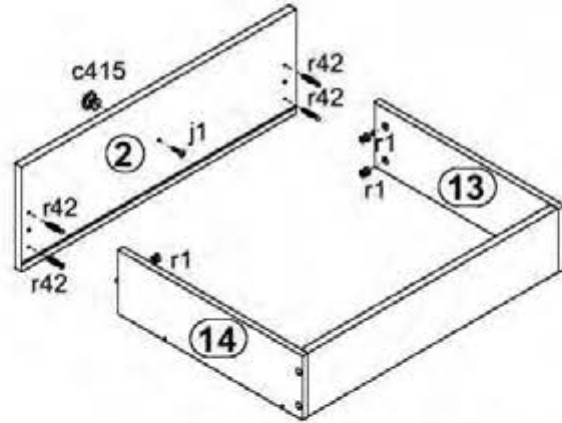
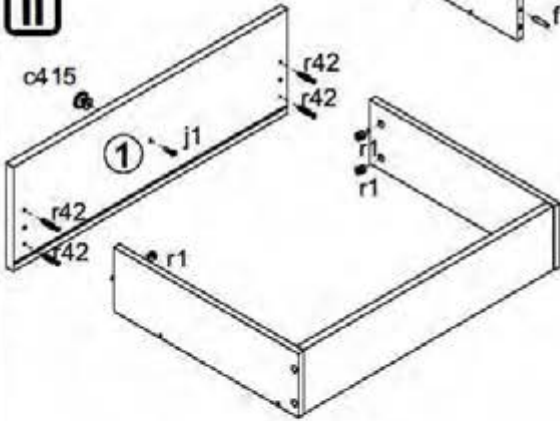
5



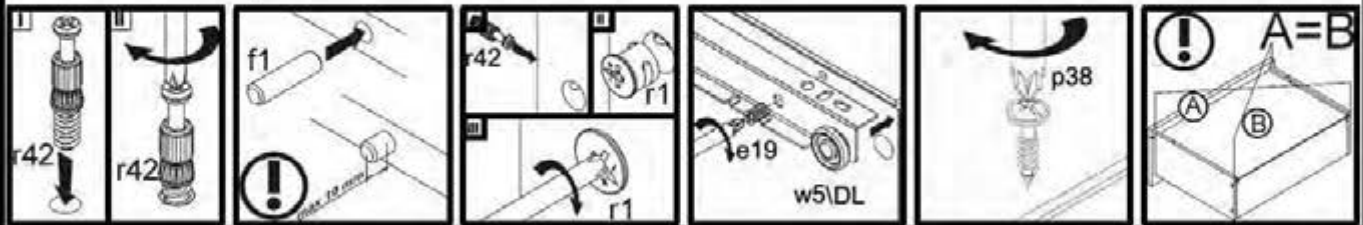
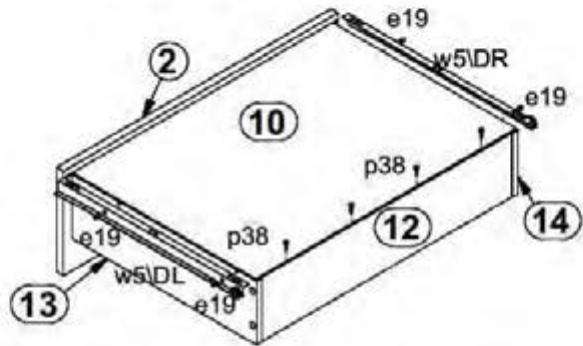
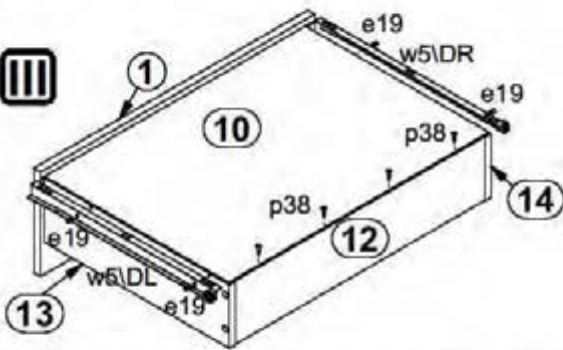
6



II



III



7

