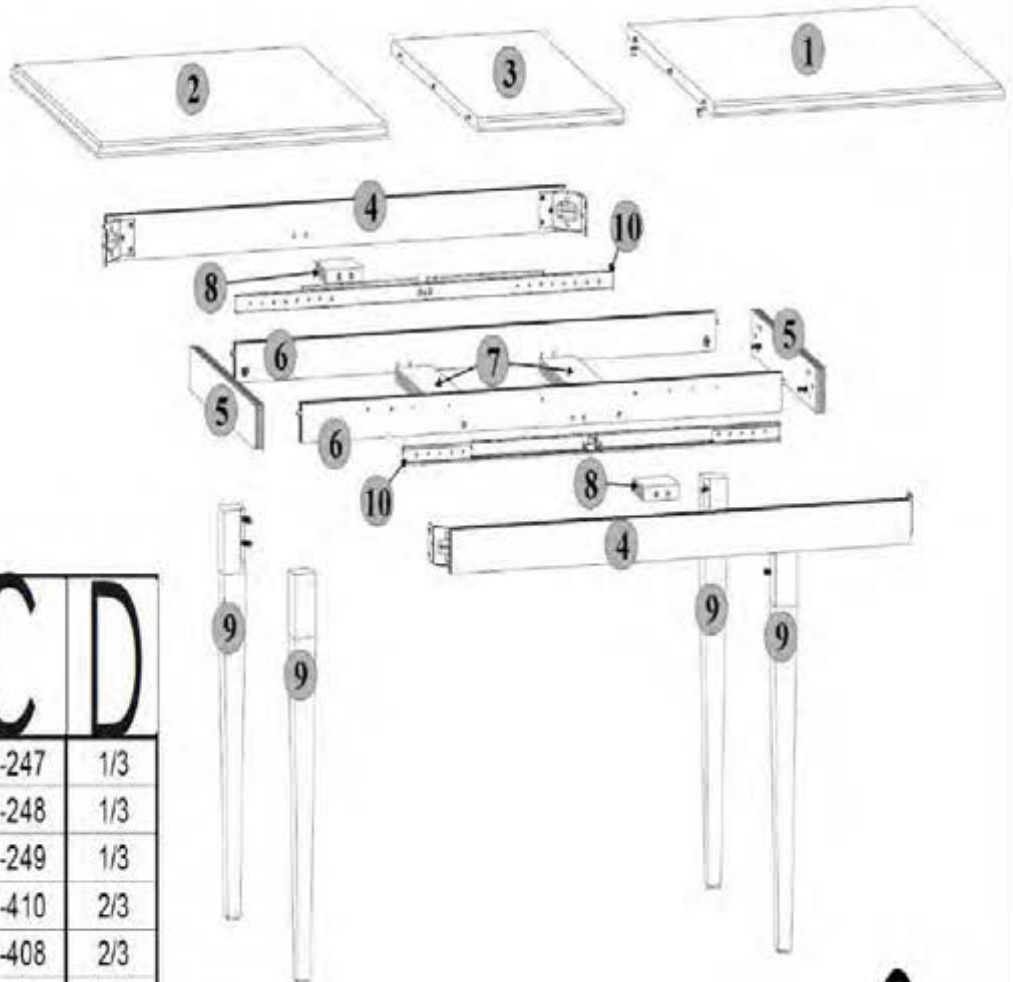
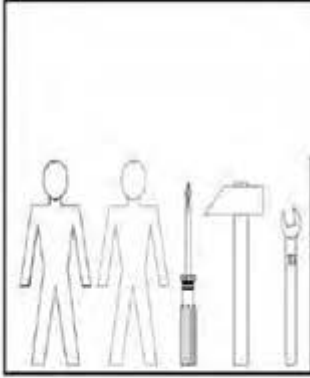
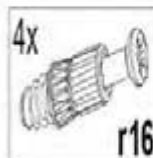
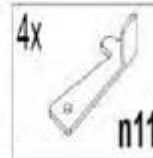
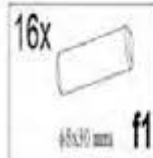


STYLIUS

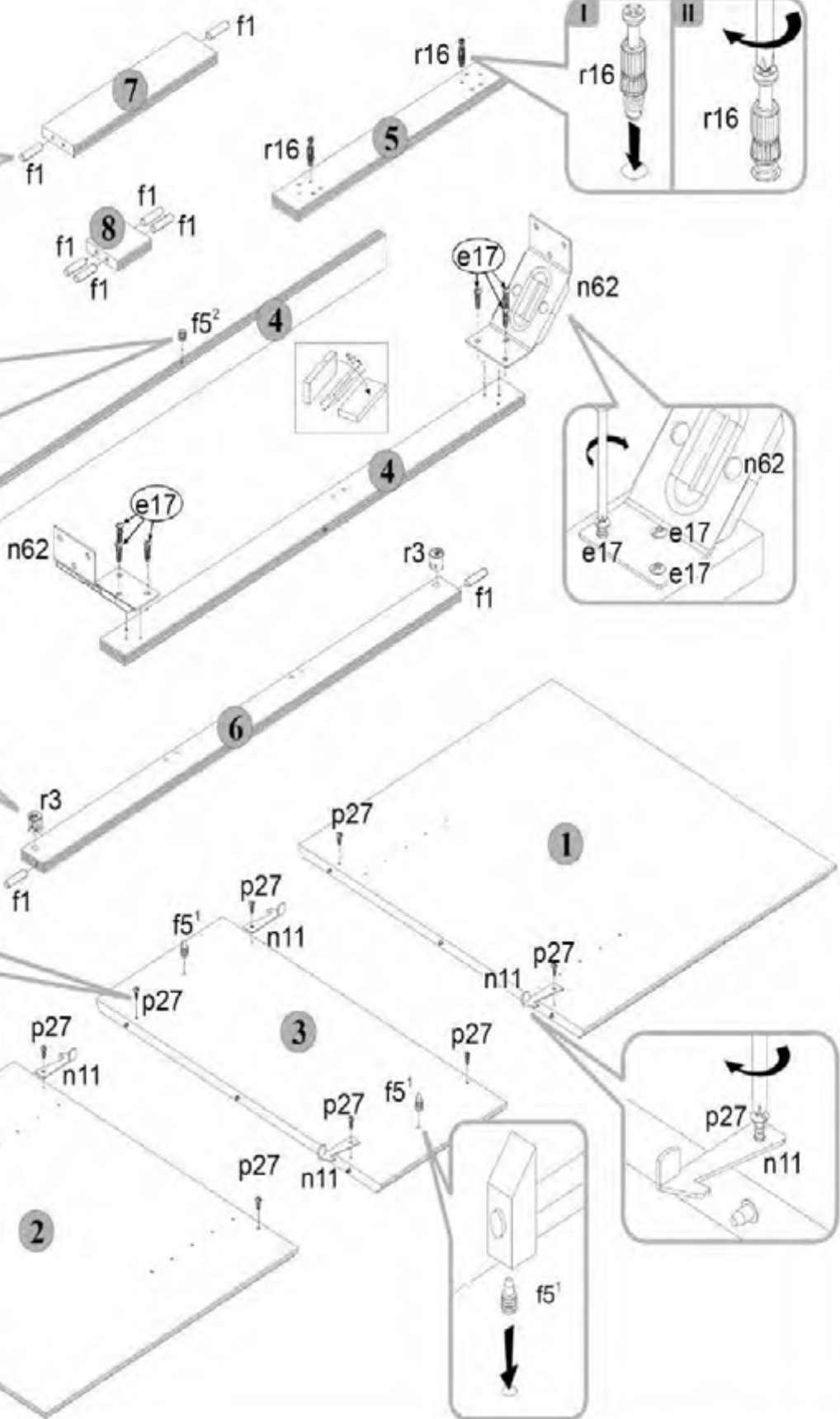
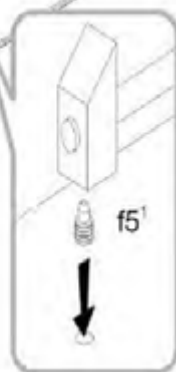
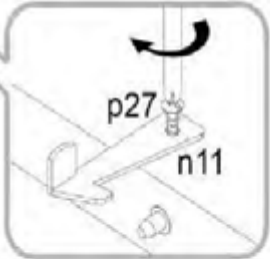
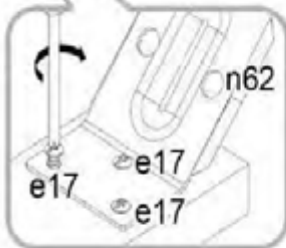
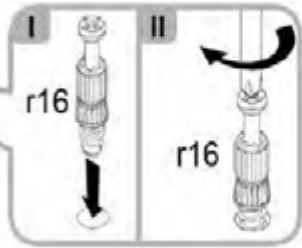
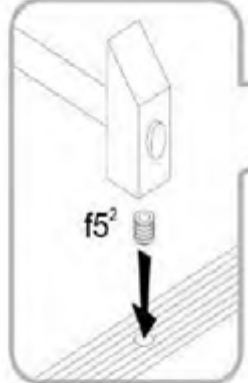
NSTO



	A	B	C	D
1	850x725	S21-247	1/3	
2	850x725	S21-248	1/3	
3	850x350	S21-249	1/3	
4	1200x80	S21-410	2/3	
5	600x80	S21-408	2/3	
6	1256x70	S21-409	2/3	
7	392x100	S21-411	2/3	
8	107x100	S21-412	2/3	
9	740x60	S21-1596	3/3	
10	1040	w11	2/3	

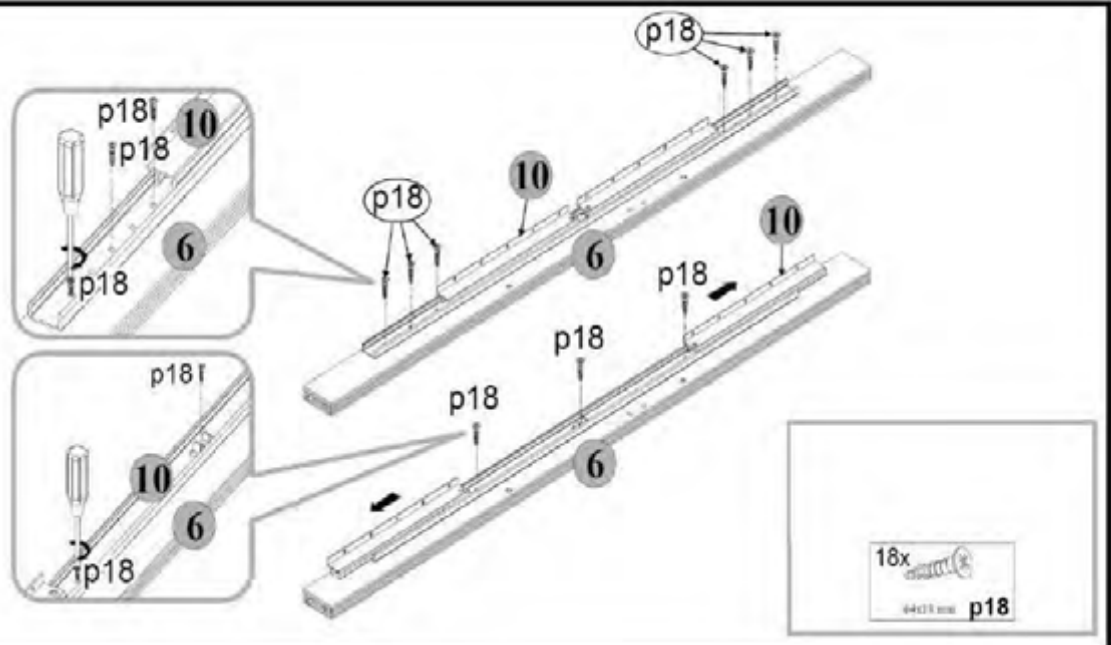


1 NSTO

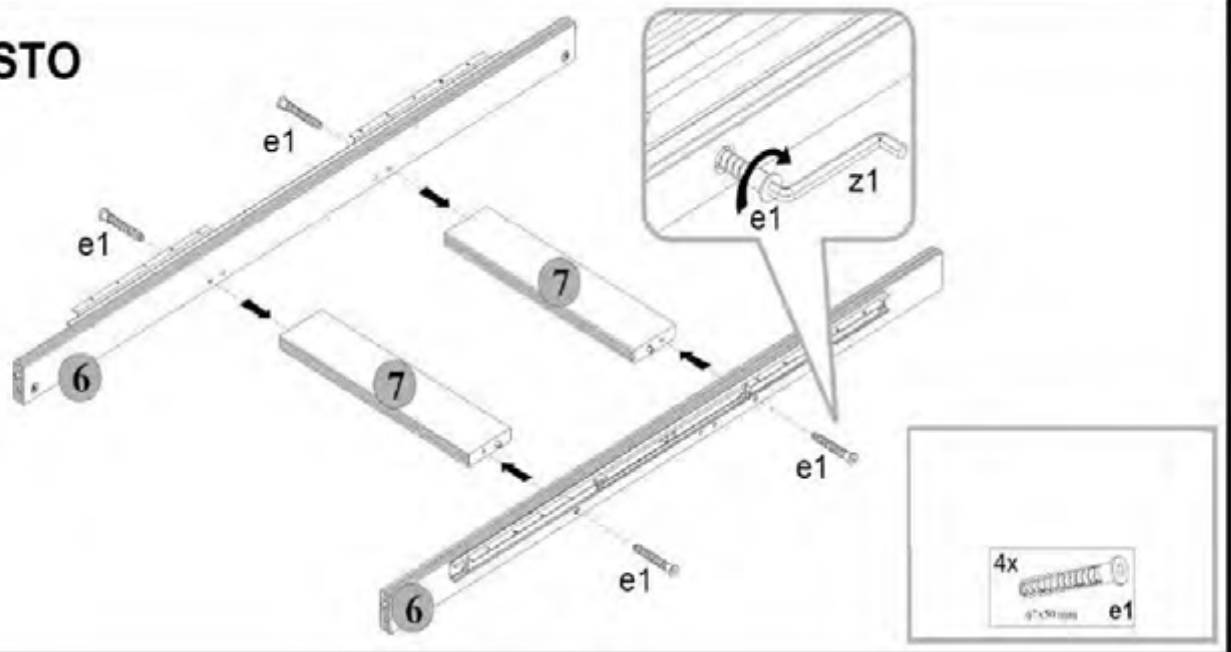


16x Ø3x30 mm f1	4x n11	4x n62	8x Ø3.5x13 mm p27	2x metalowy f5¹	2x metalowy f5²	12x Ø6.3x20 mm e17	4x Ø15x15 mm r3	4x r16
-----------------------	-----------	-----------	-------------------------	-----------------------	-----------------------	--------------------------	-----------------------	-----------

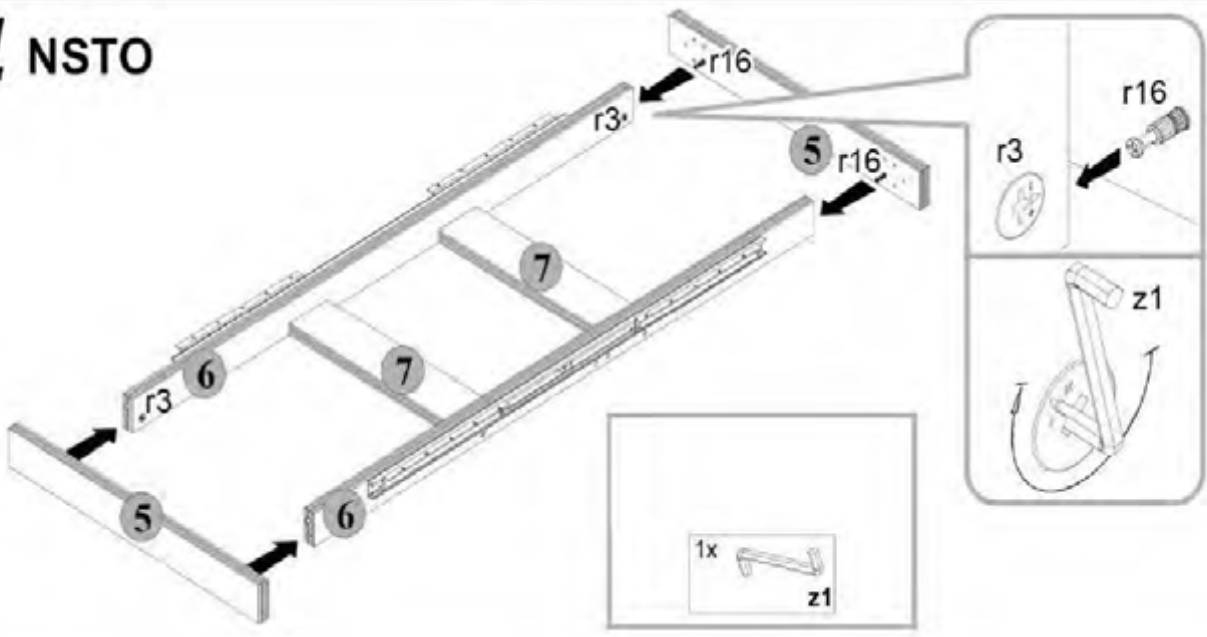
2 NSTO



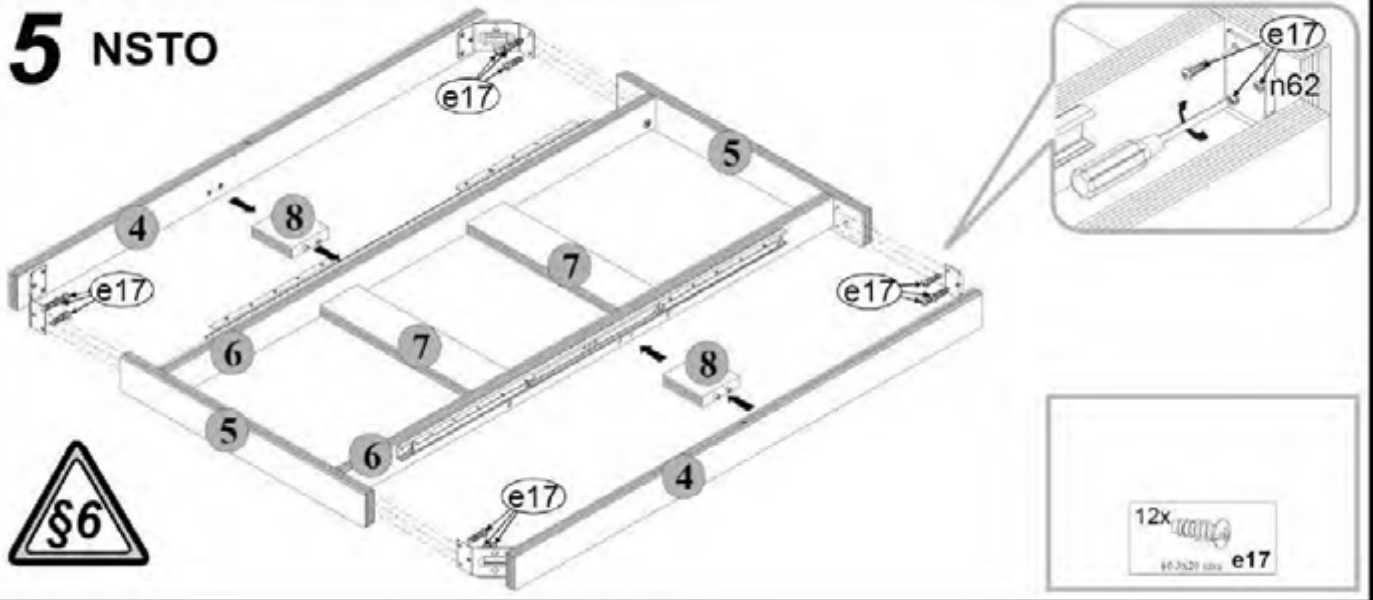
3 NSTO



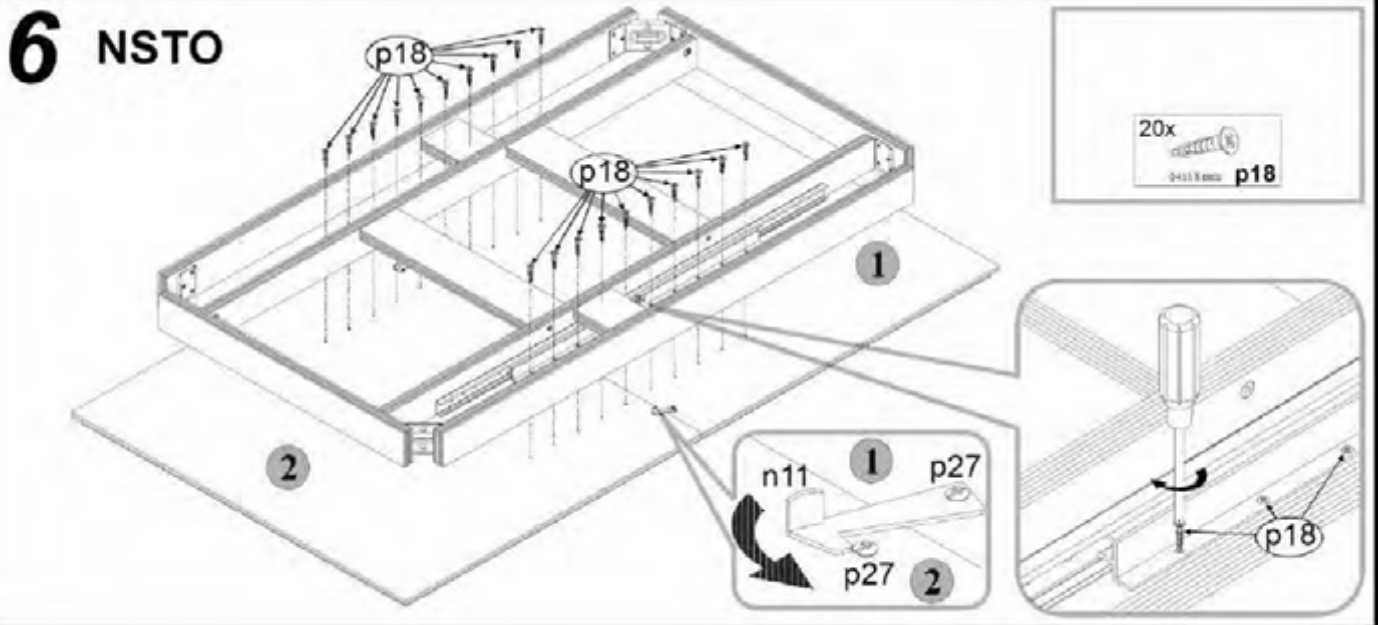
4 NSTO



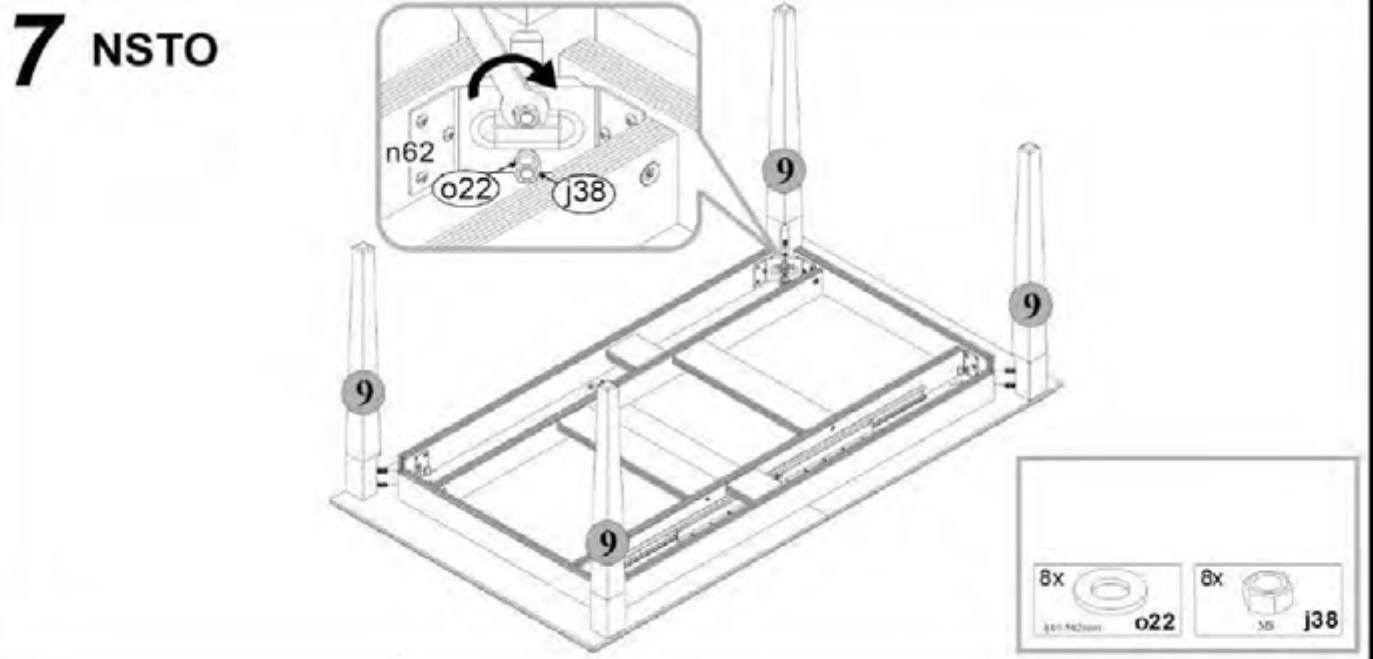
5 NSTO



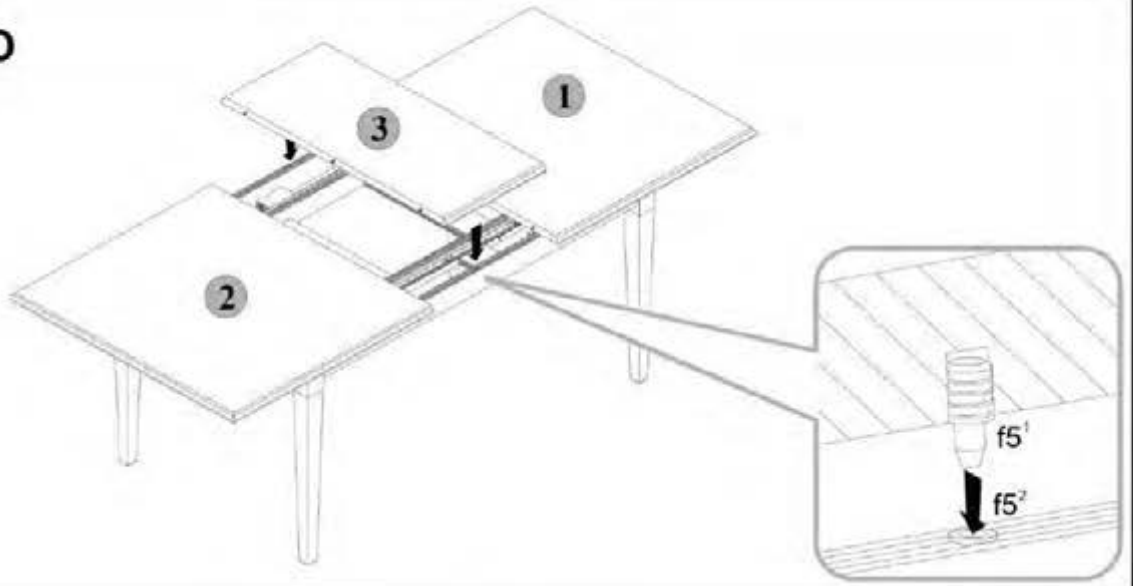
6 NSTO



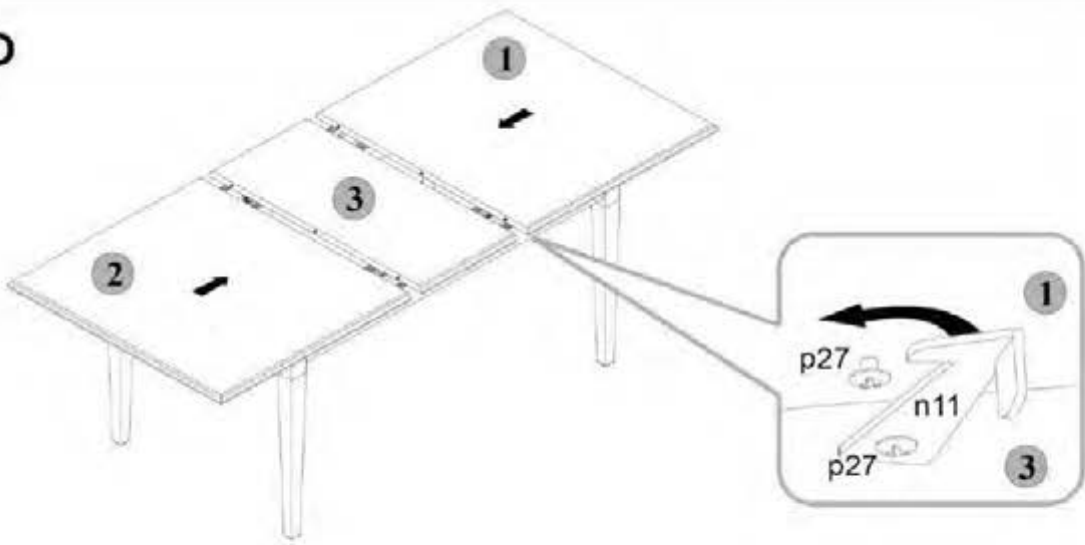
7 NSTO



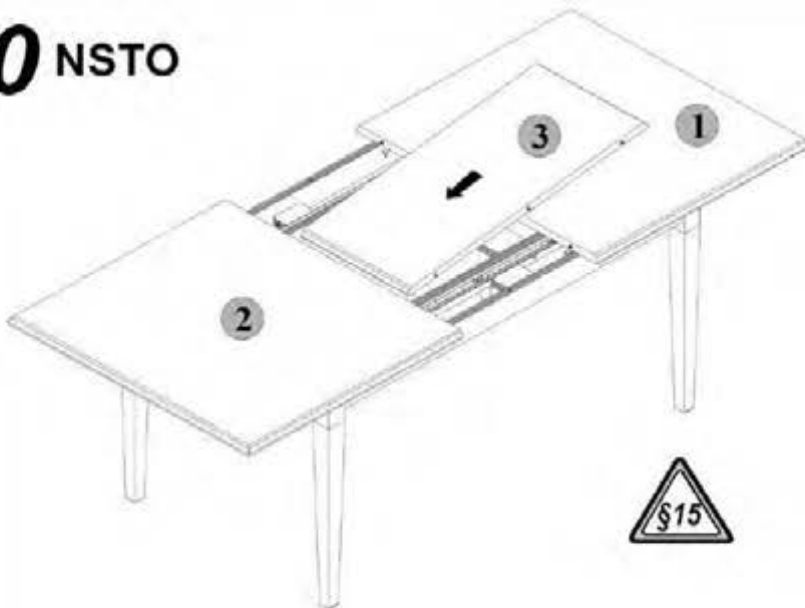
8 NSTO



9 NSTO



10 NSTO



P28-S21-NSTO-M_IN8-KOR02