

# RYOBI®

OHT1850X

RHT1850XLi

## ORIGINAL INSTRUCTIONS

TRADUCTION DES INSTRUCTIONS ORIGINALES  
ÜBERSETZUNG DER ORIGINALANLEITUNG  
TRADUCCIÓN DE LAS INSTRUCCIONES ORIGINALES  
TRADUZIONE DELLE ISTRUZIONI ORIGINALI  
VERTALING VAN DE ORIGINELE INSTRUCTIES  
TRADUÇÃO DAS INSTRUÇÕES ORIGINAIS  
OVERSÆTTELSE AF DE ORIGINALE INSTRUKTIONER  
ÖVERSÄTTNING AV DE URSPRUNGLIGA INSTRUKTIONERNA  
ALKUPERÄISTEN OHJEIDEN SUOMENNO  
OVERSETTELSE AV DE ORIGINALE INSTRUKSJONENE  
ПЕРЕВОД ОРИГИНАЛЬНЫХ ИНСТРУКЦИЙ  
TŁUMACZENIE INSTRUKCJI ORYGINALNEJ  
PŘEKLAD ORIGINÁLNÍCH POKYNŮ  
AZ EREDETI ÚTMUTATÓ FORDÍTÁSA  
TRADUCEREA INSTRUCȚIUNILOR ORIGINALE  
TULKOTS NO ORIGINĀLĀS INSTRUKCIJAS  
ORIGINALIŲ INSTRUKCIJŲ VERTIMAS  
ORIGINAALJUHENDI TÖLGE  
PRIJEVOD ORIGINALNIH UPUTA  
PREVOD ORIGINALNIH NAVODIL  
PREKLAD ORIGINÁLNYCH POKYNOV  
ПРЕВОД ОТ ОРИГИНАЛНИТЕ ИНСТРУКЦИИ

EN  
FR  
DE  
ES  
IT  
NL  
PT  
DA  
SV  
FI  
NO  
RU  
PL  
CS  
HU  
RO  
LV  
LT  
ET  
HR  
SL  
SK  
BG



<b>Important!</b>	It is essential that you read the instructions in this manual before operating this machine.
<b>Attention!</b>	Il est indispensable que vous lisiez les instructions contenues dans ce manuel avant la mise en service de l'appareil.
<b>Achtung!</b>	Bitte lesen Sie unbedingt vor Inbetriebnahme die Hinweise dieser Bedienungsanleitung.
<b>¡Atención!</b>	Es imprescindible que lea las instrucciones de este manual antes de la puesta en servicio.
<b>Attenzione!</b>	Prima di procedere alla messa in funzione, è indispensabile leggere attentamente le istruzioni contenute nel manuale.
<b>Let op!</b>	Het is van essentieel belang dat u de instructies in deze gebruiksaanwijzing goed leest voordat u de machine gaat gebruiken.
<b>Atenção!</b>	É indispensável que leia as instruções deste manual antes de utilizar a máquina.
<b>OBS!</b>	Denne brugervejledning skal gennemlæses inden maskinen tages i brug.
<b>Observera!</b>	Det är nödvändigt att läsa instruktionerna i denna bruksanvisning innan användning.
<b>Huomio!</b>	On ehdottoman välttämätöntä lukea tässä käyttöohjeessa annetut ohjeet ennen käyttöönottoa.
<b>Advarsell</b>	Det er meget viktig at du leser denne brukerveiledningen før du tar maskinen i bruk.
<b>Внимание!</b>	Перед сборкой и запуском инструмента необходимо ознакомиться с инструкцией по эксплуатации.
<b>Uwaga!</b>	Przed przystąpieniem do użytkowania tego urządzenia, należy koniecznie zapoznać się z zaleceniami zawartymi w niniejszym podręczniku.
<b>Důležité upozornění!</b>	Nepoužívejte tento přístroj dříve, než si přečtete pokyny uvedené v tomto návodu.
<b>Figyelem!</b>	Feltétlenül fontos, hogy a jelen használati útmutatóban foglalt előírásokat az üzembe helyezés előtt elolvassa!
<b>Atenție!</b>	Este esențial să citiți instrucțiunile din acest manual înainte de operarea acestui aparat.
<b>Uzmanību!</b>	Svarīgi, lai jūs pirms mašīnas darbināšanas izlasītu instrukcijas šajā rokasgrāmatā.
<b>Dèmesio!</b>	Prieš pradėdami eksploatuoti šį prietaisą, svarbu, kad perskaitytumėte šiose instrukcijose pateiktus nurodymus.
<b>Tähtis!</b>	Enne trelli kasutama hakkamist tuleb käesolevas juhendis esitatud juhised kindlasti läbi lugeda.
<b>Upozorenje!</b>	Neophodno je da pročitate ove upute prije uporabe ovog uređaja.
<b>Ротембно!</b>	Pred uporabo tega stroja, obvezno preberite navodila iz tega priročnika.
<b>Dôležitě!</b>	Pre prácu s týmto zariadením je dôležité, aby ste si prečítali pokyny v tomto návode.
<b>Важно!</b>	От изключителна важност е да прочетете инструкциите в това ръководство, преди да боравите с тази машина.

Subject to technical modifications / Sous réserve de modifications techniques / Technische Änderungen vorbehalten /  
 Bajo reserva de modificaciones técnicas / Con riserva di eventuali modifiche tecniche / Technische wijzigingen voorbehouden /  
 Com reserva de modificações técnicas / Med forbehold for tekniske ændringer / Med förbehåll för tekniska ändringar /  
 Tekniset muutokset varataan / Med forbehold om tekniske ændringer / могут быть внесены технические изменения /  
 Z zastrzeżeniem modyfikacji technicznych / Změny technických údajů vyhrazeny / A műszaki módosítás jogát fenntartjuk /  
 Sub rezerva modifațiilor tehnice / Paturam tiesības mainīt tehniskos raksturlielumus /  
 Pasīiekant teisē daryti techninius pakeitimus / Tehnilised muudatused võimalikud / Podložno tehničkim promjenama /  
 Tehnične spremembe dopuščene / Právo na technické zmeny je vyhradené / Подлежи на технически модификации

**⚠ WARNING**

This appliance is not intended for use by persons (including children) with reduced physical, sensory or mental capabilities, or lack of experience and knowledge, unless they have been given supervision or instruction concerning use of the appliance by a person responsible for their safety. Children should be supervised to ensure that they do not play with the appliance.

**GENERAL POWER TOOL SAFETY WARNINGS****⚠ WARNING**

**Read all safety warnings and all instructions.** Failure to follow the warnings and instructions may result in electric shock, fire and/or serious injury.

**Save all warnings and instructions for future reference.**

The term "power tool" in the warnings refers to your mains-operated (corded) power tool or battery-operated (cordless) power tool.

**WORK AREA SAFETY**

- **Keep work area clean and well lit.** Cluttered or dark areas invite accidents.
- **Do not operate power tools in explosive atmospheres, such as in the presence of flammable liquids, gases or dust.** Power tools create sparks which may ignite the dust or fumes.
- **Keep children and bystanders away while operating a power tool.** Distractions can cause you to lose control.

**ELECTRICAL SAFETY**

- **Power tool plugs must match the outlet. Never modify the plug in any way. Do not use any adapter plugs with earthed (grounded) power tools.** Unmodified plugs and matching outlets will reduce risk of electric shock.
- **Avoid body contact with earthed or grounded surfaces, such as pipes, radiators, ranges and refrigerators.** There is an increased risk of electric shock if your body is earthed or grounded.
- **Do not expose power tools to rain or wet conditions.** Water entering a power tool will increase the risk of electric shock.
- **Do not abuse the cord. Never use the cord for carrying, pulling or unplugging the power tool. Keep cord away from heat, oil, sharp edges or moving parts.** Damaged or entangled cords increase the risk of electric shock.
- **When operating a power tool outdoors, use an extension cord suitable for outdoor use.** Use of a cord suitable for outdoor use reduces the risk of electric shock.

- **If operating a power tool in a damp location is unavoidable, use a residual current device (RCD) protected supply.** Use of an RCD reduces the risk of electric shock.

**PERSONAL SAFETY**

- **Stay alert, watch what you are doing and use common sense when operating a power tool. Do not use a power tool while you are tired or under the influence of drugs, alcohol or medication.** A moment of inattention while operating power tools may result in serious personal injury.
  - **Use personal protective equipment. Always wear eye protection.** Protective equipment such as dust mask, non-skid safety shoes, hard hat, or hearing protection used for appropriate conditions will reduce personal injuries.
  - **Prevent unintentional starting. Ensure the switch is in the off-position before connecting to power source and/or battery pack, picking up or carrying the tool.** Carrying power tools with your finger on the switch or energising power tools that have the switch on invites accidents.
  - **Remove any adjusting key or wrench before turning the power tool on.** A wrench or a key left attached to a rotating part of the power tool may result in personal injury.
  - **Do not overreach. Keep proper footing and balance at all times.** This enables better control of the power tool in unexpected situations.
  - **Dress properly. Do not wear loose clothing or jewellery. Keep your hair, clothing and gloves away from moving parts.** Loose clothes, jewellery or long hair can be caught in moving parts.
  - **If devices are provided for the connection of dust extraction and collection facilities, ensure these are connected and properly used.** Use of dust collection can reduce dust-related hazards.
- POWER TOOL USE AND CARE**
- **Do not force the power tool. Use the correct power tool for your application.** The correct power tool will do the job better and safer at the rate for which it was designed.
  - **Do not use the power tool if the switch does not turn it on and off.** Any power tool that cannot be controlled with the switch is dangerous and must be repaired.
  - **Disconnect the plug from the power source and/or the battery pack from the power tool before making any adjustments, changing accessories, or storing power tools.** Such preventive safety measures reduce the risk of starting the power tool accidentally.
  - **Store idle power tools out of the reach of children and do not allow persons unfamiliar with the power tool or these instructions to operate the power tool.** Power tools are dangerous in the hands of untrained users.



- **Maintain power tools. Check for misalignment or binding of moving parts, breakage of parts and any other condition that may affect the power tool's operation. If damaged, have the power tool repaired before use.** Many accidents are caused by poorly maintained power tools.
- **Keep cutting tools sharp and clean.** Properly maintained cutting tools with sharp cutting edges are less likely to bind and are easier to control.
- **Use the power tool, accessories and tool bits etc. in accordance with these instructions, taking into account the working conditions and the work to be performed.** Use of the power tool for operations different from those intended could result in a hazardous situation.

## BATTERY TOOL USE AND CARE

- **Recharge only with the charger specified by the manufacturer.** A charger that is suitable for one type of battery pack may create a risk of fire when used with another battery pack.
- **Use power tools only with specifically designated battery packs.** Use of any other battery packs may create a risk of injury and fire.
- **When battery pack is not in use, keep it away from other metal objects like paper clips, coins, keys, nails, screws, or other small metal objects that can make a connection from one terminal to another.** Shorting the battery terminals together may cause burns or fire.
- **Under abusive conditions, liquid may be ejected from the battery; avoid contact.** If contact accidentally occurs, flush with plenty of soap and water. If liquid contacts eyes, immediately seek medical help. Liquid ejected from the battery may cause irritation or burns.

## SERVICE

- **Have your power tool serviced by a qualified repair person using only identical replacement parts.** This will ensure that the safety of the power tool is maintained.

## SPECIFIC SAFETY RULES

- **Keep all parts of the body away from the cutter blade. Do not remove cut material or hold material to be cut when blades are moving. Make sure the switch is off when clearing jammed material.** A moment of inattention while operating the hedge trimmer may result in serious personal injury.
- **Carry the hedge trimmer by the handle with the cutter blade stopped. When transporting or storing the hedge trimmer, always fit the cutting device cover.** Proper handling of the hedge trimmer will reduce possible personal injury from the cutter blades.
- Hold the power tool by insulated gripping surfaces only, because the cutter blade may contact hidden wiring or its own cord. Cutter blades contacting a "live" wire may

make exposed metal parts of the power tool "live" and could give the operator an electric shock.

## INTENDED USE

- This product is designed for home or domestic use. It is intended to cut and trim hedges, shrubs and similar vegetation.
- It should be used in dry, well illuminated conditions.
- It is NOT intended to cut grass, trees or branches. It should not be used for any other purpose than hedge trimming.

## ADDITIONAL SAFETY RULES

### PREPARATION

- **Clear the area to be cut before each use.** Remove all objects such as cords, lights, wire, or string which can become entangled in the cutting blade.
- **Clear the area of children, bystanders and pets.** At a minimum, keep all children, bystanders and pets outside a 15m radius; there still may be a risk to bystanders from thrown objects. If you are approached, stop the unit immediately.
- **Do not operate in poor lighting.** Use the unit only in daylight or good artificial light.
- **Inspect the unit before use.** Replace any damaged parts. Check for battery pack leaks.
- **Make sure all fasteners and guards are in place and secure.** Replace cutting blades or any other parts that are cracked, chipped, or damaged. Make sure the cutting blade is properly installed and securely fastened. Failure to do so can result in personal injury to the operator and bystanders, as well as damage to the unit.
- **Never attempt to use an incomplete machine or one fitted with an unauthorised modification.** If any parts are missing, do not operate unit until the missing parts are replaced.

### OPERATION

- **Do not use trimmer without front handle in place.** Keep both hands on handles when unit is in use.
- **Before starting the unit, make sure the cutting blades will not come in contact with anything.**
- **Keep unit clean of hedge clippings and other materials.** They may become lodged in the cutting blades.
- If the machine strikes or becomes entangled with foreign objects, stop the unit immediately, remove the battery pack and check for damage. Do not operate the unit with loose or damaged parts.
- **Always be aware of your surroundings and stay alert for possible hazards that you may not hear due to the noise of the machine.**
- The vibration level during actual use of the power tool





can differ from the declared total value depending on the ways in which the tool is used. Identify safety measures to protect yourself based on an estimation of exposure in the actual conditions of use, taking account of all parts of the operating cycle such as the times when the tool is switched off and when it is running idle in addition to the trigger time.

- It has been reported that vibrations from hand-held tools may contribute to a condition called Raynaud's Syndrome in certain individuals. Symptoms may include tingling, numbness and blanching of the fingers, usually apparent upon exposure to cold. Hereditary factors, exposure to cold and dampness, diet, smoking and work practices are all thought to contribute to the development of these symptoms. It is presently unknown what, if any, vibrations or extent of exposure may contribute to the condition. There are measures that can be taken by the operator to possibly reduce the effects of vibration:
  - a. Keep your body warm in cold weather. When operating the unit wear gloves to keep the hands and wrists warm. It is reported that cold weather is a major factor contributing to Raynaud's Syndrome.
  - b. After each period of operation, exercise to increase blood circulation.
  - c. Take frequent work breaks. Limit the amount of exposure per day.

If you experience any of the symptoms of this condition, immediately discontinue use and see your physician about these symptoms.

**MAINTENANCE**

- **When servicing, use only identical replacement parts.** Use of any other parts may create a hazard or cause product damage.
- **Avoid using solvents when cleaning plastic parts.** Most plastics are susceptible to damage from various types of commercial solvents and may be damaged by their use. Use clean cloths to remove dirt, dust, oil, grease, etc.
- **Store the unit in a dry place, either locked up or high to prevent unauthorised use or damage.** Keep out of the reach of children or untrained individuals.

**ENVIRONMENTAL PROTECTION**



Recycle raw materials instead of disposing of as waste. The machine, accessories and packaging should be sorted for environmental-friendly recycling.

**SYMBOL**



Precautions that involve your safety.



Conformance to technical regulations



Read the operation manual and follow all warnings and safety instructions.



Wear eye and hearing protection.



Thrown objects can ricochet and result in personal injury or property damage. Wear protective clothing and boots.



Wear non-slip, heavy duty gloves.



Keep all bystanders at least 15m away.



Do not expose to rain or damp conditions.



Waste electrical products should not be disposed of with household waste. Please recycle where facilities exist. Check with your Local Authority or retailer for recycling advice.

**ICONS IN THIS MANUAL**



Safety



Unpacking



Getting started



Overview



Operation



Maintenance



Go to page #



Information



Safety alert



Connect battery



Disconnect battery



Lubricating oil



Lock



Unlock



Wear safety gloves



Do not touch moving blade



Parts or accessories sold separately

**⚠ AVERTISSEMENT**

Cet appareil ne doit pas être utilisé par des personnes (enfants compris) aux capacités physiques, sensorielles ou mentales réduites, ou par des personnes manquant d'expérience et de connaissances à moins qu'elles n'aient été initiées à son utilisation et qu'elles ne soient surveillées par une personne responsable de leur sécurité. Les enfants doivent être surveillés afin de s'assurer qu'ils ne jouent pas avec l'appareil.

**AVERTISSEMENTS DE SÉCURITÉ GÉNÉRAUX CONCERNANT LES OUTILS ÉLECTRIQUES****⚠ AVERTISSEMENT**

Lisez tous les avertissements de sécurité et toutes les instructions. Le non-respect des avertissements et instructions peut entraîner une décharge électrique, un incendie et/ou de graves blessures.

Conservez ces avertissements et instructions pour pouvoir vous y reporter ultérieurement.

Le terme "outil électrique" dans les avertissements se rapporte à votre outil électrique alimenté par le secteur (à fil) ou par batterie (sans fil).

**ENVIRONNEMENT DE TRAVAIL**

- **Gardez l'espace de travail propre et bien éclairé.** Les espaces de travail sombres ou encombrés sont propices aux accidents.
- **N'utilisez pas d'outil électrique en atmosphère explosive, comme en présence de liquides inflammables, de gaz ou de poussières.** Les appareils électriques produisent des étincelles susceptibles d'enflammer poussières et vapeurs.
- **Gardez les enfants et les visiteurs à distance lorsque vous utilisez un outil électrique.** Les distractions peuvent entraîner une perte de contrôle.

**SÉCURITÉ ÉLECTRIQUE**

- **Les fiches secteur des outils électriques doivent correspondre à la prise de courant. Ne modifiez jamais la fiche secteur d'aucune façon. N'utilisez pas d'adaptateurs avec les outils électriques reliés à la terre.** L'utilisation de fiches secteur non modifiées et adaptées à la prise de courant réduit le risque de décharge électrique.
- **Évitez que votre corps entre en contact avec des surfaces reliées à la terre, telles que des tuyaux, radiateurs, cuisinières et réfrigérateurs.** Le risque de décharge électrique est accru si votre corps est électriquement relié à la terre.
- **N'exposez pas les outils électriques à la pluie ou à des conditions humides.** La pénétration d'eau dans un outil électrique augmente le risque de décharge

électrique.

- **Ne maltraitez pas le câble d'alimentation. Ne vous servez jamais du câble d'alimentation pour transporter l'outil, pour le tirer, ou pour en débrancher la fiche secteur. Gardez le câble à l'écart de la chaleur, de l'huile, des bords coupants et des pièces en mouvement.** Les câbles endommagés ou emmêlés augmentent le risque de décharge électrique.
- **Lorsque vous utilisez un outil électrique en extérieur, utilisez une rallonge adaptée à un usage en extérieur.** L'utilisation d'une rallonge adaptée à un usage en extérieur réduit les risques de choc électrique.
- **S'il n'est pas possible d'éviter d'utiliser un outil électrique en environnement humide, utilisez une alimentation électrique équipée d'un disjoncteur différentiel.** L'utilisation d'un disjoncteur différentiel réduit le risque de choc électrique.

**SÉCURITÉ PERSONNELLE**

- **Restez vigilant, regardez ce que vous faites et faites preuve de bon sens lorsque vous utilisez un outil électrique. N'utilisez pas d'outil électrique si vous êtes fatigué ou sous l'influence de l'alcool, de drogues ou de médicaments.** Un moment d'inattention lors de l'utilisation d'un outil électrique suffit à provoquer de graves blessures.
- **Utilisez des protections individuelles. Portez toujours une protection oculaire.** Des équipements de protection tels qu'un masque anti-poussières, des chaussures de sécurité antidérapantes, ou une protection auditive dans les conditions appropriées réduit le risque de blessures.
- **Prévenez les mises en marche accidentelles. Assurez-vous que l'interrupteur est en position "arrêt" avant la connexion au secteur et/ou l'insertion de la batterie, ainsi qu'avant de saisir ou de transporter l'outil.** Le transport d'un outil électrique avec votre doigt sur l'interrupteur ou la mise sous tension d'un outil dont l'interrupteur est en position "marche" est propice aux accidents.
- **Retirez toute clé ou tout outil de réglage avant de mettre l'outil électrique en marche.** Une clé ou un outil laissé sur une partie tournante d'un outil électrique est susceptible d'entraîner des blessures.
- **Ne travaillez pas en extension. Prenez bien appui sur vos jambes et ne tendez pas le bras trop loin.** Vous contrôlerez ainsi mieux l'outil électrique en cas d'imprévu.
- **Portez des vêtements adéquats. Ne portez pas de vêtements ou de bijoux amples. Maintenez vos cheveux, vos vêtements et vos gants éloignés des parties en mouvement.** Les vêtements et bijoux amples ainsi que les cheveux longs sont susceptibles d'être happés par les parties en mouvement.
- **Si un dispositif d'extraction et de collecte des poussières est fourni, assurez-vous que ce dispositif est installé et utilisé de façon correcte.** L'utilisation d'un dispositif de collecte des poussières



réduit les risques associés aux poussières.

## UTILISATION ET ENTRETIEN DES OUTILS ÉLECTRIQUES

- **Ne faites pas forcer un outil électrique. Utilisez un outil électrique adapté au travail à effectuer.** Un outil électrique adapté utilisé dans les limites de ses capacités effectuera un meilleur travail dans de meilleures conditions de sécurité.
- **N'utilisez pas un outil électrique dont l'interrupteur marche/arrêt est inopérant.** Tout outil électrique qui ne peut pas être contrôlé par son interrupteur est dangereux et doit être réparé.
- **Débranchez la fiche secteur de la source de courant et/ou le pack batterie de l'outil électrique avant d'effectuer tout réglage, tout changement d'accessoire, et avant de le ranger.** De telles mesures préventives de sécurité réduisent les risques de mettre accidentellement en marche l'outil électrique.
- **Rangez les outils électriques inutilisés hors de portée des enfants et ne laissez pas les personnes non familiarisées avec l'outil électrique ou avec ces instructions s'en servir.** Les outils électriques sont dangereux entre des mains non entraînées.
- **Entretenez les outils électriques. Vérifiez que les pièces en mouvement sont bien alignées et non déformées, qu'aucune pièce n'est cassée ou mal montée, et qu'aucun autre problème n'est susceptible d'affecter le bon fonctionnement de l'outil électrique.** En cas de dommage, faites réparer l'outil électrique avant de l'utiliser. Beaucoup d'accidents sont dus à des outils électriques mal entretenus.
- **Gardez les outils coupants propres et affûtés.** Les outils coupants bien entretenus et bien affûtés sont moins susceptibles de se déformer et sont plus faciles à contrôler.
- **Utilisez l'outil électrique, ses accessoires et ses embouts, etc. en concordance avec ces instructions, en prenant en compte les conditions de travail et le travail à effectuer.** L'utilisation détournée d'un outil électrique entraîne des situations dangereuses.

## UTILISATION ET ENTRETIEN DES OUTILS ALIMENTÉS PAR BATTERIE

- **N'utilisez que le chargeur préconisé par le fabricant.** L'utilisation d'un chargeur prévu pour un type de batterie avec un autre type de batterie peut entraîner un risque d'incendie.
- **N'utilisez les outils électriques qu'avec les packs batterie leur étant spécifiquement destinés.** L'utilisation de tout autre pack batterie entraîne des risques de blessure et d'incendie.
- **Lorsque le pack batterie n'est pas utilisé, éloignez-le des autres objets métalliques tels que trombones, pièces de monnaie, clés, clous, vis, ou autres petits objets susceptibles de court-circuiter les bornes**

**de la batterie.** La mise en court-circuit des bornes de la batterie peut causer des brûlures et entraîner un incendie.

- **Sous des conditions abusives, du liquide peut être éjecté de la batterie, évitez d'entrer en contact avec ce liquide.** En cas de contact accidentel, lavez au savon et à grande eau. Si du liquide entre en contact avec les yeux, consultez immédiatement un médecin. Le liquide éjecté de la batterie peut causer des irritations ou des brûlures.

## ENTRETIEN

- **Faites réparer votre outil électrique par un réparateur qualifié n'utilisant que des pièces détachées identiques.** Vous maintiendrez ainsi la sécurité d'utilisation de votre outil électrique.

## CONSIGNES DE SÉCURITÉ SPÉCIFIQUES

- **Maintenez toutes les parties de votre corps éloignées de la lame de coupe. Ne tentez pas de retirer des matériaux coupés ou de maintenir un élément à couper lorsque les lames sont en mouvement. Assurez-vous que l'interrupteur est en position off (arrêt) lorsque vous enlevez les éléments responsables du blocage.** Un moment d'inattention lors de l'utilisation du taille-haies suffit à provoquer de graves blessures.
- **Transportez le taille-haies par sa poignée avec les lames arrêtées. Mettez toujours le protège-lame en place lorsque vous transportez ou rangez le taille-haies.** Une manipulation correcte du taille-haies réduira les risques de blessures dues aux lames de coupe.
- **Ne tenez l'outil électrique que par ses surfaces de préhension isolées, car les lames de coupe sont susceptibles d'entrer en contact avec des câbles électriques cachés ou avec le câble d'alimentation de l'outil.** Des lames de coupe qui entreraient en contact avec un câble "sous tension" pourrait véhiculer cette tension électrique vers les parties métalliques de l'outil et exposer l'opérateur à une décharge électrique.

## UTILISATION PRÉVUE

- Ce produit est destiné à un usage privé. Il a été conçu pour la coupe et la taille des haies, des arbustes et autres végétaux similaires.
- Il doit être utilisé dans un environnement sec et bien éclairé.
- Il n'a PAS été conçu pour la coupe d'herbe, d'arbres ou de branches. Il doit être uniquement utilisé pour la taille des haies.

## RÈGLES DE SÉCURITÉ ADDITIONNELLES

### PRÉPARATION

- **Nettoyez la zone à tailler avant chaque utilisation.** Retirez tous les objets tels que câbles, fils, ou ficelles



qui pourraient s'emmêler dans la lame de coupe.

- **Éloignez les enfants, spectateurs et animaux familiers de la zone de travail.** Au minimum, gardez tous les enfants, spectateurs et animaux familiers éloignés d'au moins 15m, pour les protéger d'éventuelles projections. Si quelqu'un s'approche, arrêtez immédiatement l'appareil.
- **N'utilisez pas cet outil dans une zone mal éclairée.** Veillez à ce que votre espace de travail soit bien éclairé (lumière du jour ou lumière artificielle).
- **Vérifiez l'appareil avant utilisation** Remplacez toute pièce endommagée. Vérifiez l'absence de fuite du pack batterie.
- **Assurez-vous que toutes les fixations et protections sont en place et bien serrées.** Remplacez toute lame de coupe ou toute autre élément qui serait fendu, ébrêché, ou endommagé. Assurez-vous que la lame de coupe est bien en place et bien serrée. Le non respect de cette consigne pourrait entraîner des blessures à l'opérateur ou aux spectateurs, ainsi qu'endommager l'appareil.
- **Ne tentez jamais d'utiliser une machine incomplète ou modifiée de façon non autorisée.** Au cas où une pièce quelconque serait manquante, n'utilisez pas l'appareil avant d'avoir remplacé cette pièce.

#### UTILISATION

- **N'utilisez pas la taille-haies sans que la poignée avant ne soit en place.** Gardez vos deux mains sur les poignées en cours d'utilisation.
- **Avant de mettre l'appareil en marche, assurez-vous que les lames de coupe ne touchent rien.**
- **Gardez l'appareil exempt de déchets de coupe et autres matériaux.** Ils pourraient se loger dans les lames de coupe.
- Si la machine se bloque ou s'emmêle dans un objet étranger, arrêtez immédiatement l'appareil, retirez le pack batterie et vérifiez les dommages éventuels. N'utilisez pas l'appareil si certains de ses éléments sont desserrés ou endommagés.
- **Soyez toujours attentif à votre environnement et aux dangers potentiels que pourriez ne pas entendre à cause du bruit de la machine.**
- La valeur des vibrations réellement produites durant l'utilisation de l'outil électrique peuvent différer de la valeur totale déclarée, en fonction de la manière dont l'outil est utilisé. Identifiez les mesures de sécurité à prendre pour vous protéger, sur la base d'une estimation de l'exposition réelle, en tenant compte de tous les éléments du cycle d'utilisation tels que le temps d'arrêt de l'outil et le temps de son fonctionnement au ralenti, en plus du temps de fonctionnement normal.
- Il a été reporté que les vibrations engendrées par les outils à main peuvent contribuer à l'apparition d'un état appelé le Syndrome de Raynaud chez certaines personnes. Les symptômes peuvent comprendre des fourmillements, un engourdissement et un blanchiment

des doigts, généralement par temps froid. Des facteurs héréditaires, l'exposition au froid et à l'humidité, le régime alimentaire, le tabagisme et les habitudes de travail peuvent contribuer au développement de ces symptômes. L'état actuel des connaissances ne permet pas de prédire à partir de quel niveau d'exposition aux vibrations cette pathologie est susceptible d'apparaître. Certaines mesures peuvent être prises par l'utilisateur pour aider à réduire les effets des vibrations:

- a. Gardez votre corps au chaud par temps froid. Lorsque vous utilisez l'appareil, portez des gants afin de garder vos mains et vos poignets au chaud. Le temps froid est considéré comme un facteur contribuant très largement à l'apparition du Syndrome de Raynaud.
- b. Après chaque session de travail, pratiquez des exercices qui favorisent la circulation sanguine.
- c. Faites des pauses fréquentes. Limitez la quantité d'exposition journalière.

Si vous ressentez l'un des symptômes associés à ce syndrome, arrêtez immédiatement le travail et consultez votre médecin pour lui en faire part.

#### ENTRETIEN

- **N'utilisez que des pièces détachées identiques pour effectuer les réparations.** L'utilisation de toute autre pièce peut être dangereuse et entraîner des dommages matériels.
- **Évitez d'utiliser des solvants pour nettoyer les parties en plastique.** La plupart des plastiques sont susceptibles d'être endommagés par un grand nombre de solvants du commerce. Utilisez des chiffons propres pour retirer la saleté, les poussières, l'huile, la graisse, etc.
- **Rangez l'appareil dans un lieu sec, soit verrouillé ou en hauteur afin de prévenir toute utilisation non autorisée et tout dommage.** Gardez hors de portée des enfants et des personnes non entraînées.

#### PROTECTION DE L'ENVIRONNEMENT



Recyclez les matières premières au lieu de les jeter aux ordures ménagères. Pour protéger l'environnement, l'outil, les accessoires et les emballages doivent être triés.

#### SYMBOLE



Précautions impliquant votre sécurité.



Conformité aux normes techniques



Lisez le manuel utilisateur et respectez tous les avertissements et toutes les consignes de sécurité.



Portez une protection oculaire et auditive



Les objets projetés peuvent faire ricochet et provoquer des blessures ou des dommages matériels. Portez des vêtements et bottes de protection.



Portez des gants de protection solides et antidérapants.



Éloignez les visiteurs d'au moins 15m.



Ne pas exposer à la pluie ou à des conditions humides.



Les produits électriques hors d'usage ne doivent pas être jetés avec les ordures ménagères. Recyclez-les par l'intermédiaire des structures disponibles. Contactez les autorités locales pour vous renseigner sur les conditions de recyclage.

ICÔNES DE CE MANUEL



Sécurité



Déballage



Mise en Route



Vue d'ensemble



Utilisation



Entretien



Aller à la page #



Information



Avertissement



Connectez la batterie



Déconnectez la batterie



Huile de lubrification



Verrouillage



Déverrouillage



Portez des gants de sécurité



Ne touchez pas la lame en mouvement



Pièces détachées et accessoires vendus séparément

**⚠️ WARNUNG**

Dieses Gerät ist nicht zur Verwendung durch Personen (einschließlich Kindern) mit eingeschränkten physischen, sensorischen oder mentalen Fähigkeiten, oder mangelnder Erfahrung und Wissen vorgesehen, es sei denn, sie werden durch eine Person, die für ihre Sicherheit verantwortlich ist, beaufsichtigt oder erhalten von solch einer Person Anweisungen zum Gebrauch des Geräts. Kinder müssen beaufsichtigt werden, so dass gewährleistet ist, dass sie nicht mit dem Gerät spielen.

**ALLGEMEINE SICHERHEITSWARNUNGEN FÜR ELEKTROWERKZEUGE****⚠️ WARNUNG**

**Lesen Sie alle Warnungen und Anweisungen!** Die Nichtbeachtung der Warnungen und Anweisungen kann zu Stromschlag, Feuer und/oder schweren Verletzungen führen.

**Bewahren Sie diese Warnhinweise und Anweisungen für einen späteren Gebrauch gut auf.**

Die Bezeichnung "Elektrowerkzeug" in den Warnhinweisen bezieht sich auf Ihr Elektrowerkzeug, das an das Stromnetz angeschlossen wird oder das akkubetriebene (kabellose) Elektrowerkzeug.

**ARBEITSUMGEBUNG**

- **Der Arbeitsbereich muss sauber und gut ausgeleuchtet sein.** Unordentliche oder dunkle Bereiche fördern Unfälle heraus.
- **Setzen Sie Elektrowerkzeuge nicht in explosiver Umgebung ein, wie z.B. bei Vorhandensein entzündlicher Flüssigkeiten, von Gasen oder Staub.** Elektrowerkzeuge erzeugen Funken, die Staub oder Dämpfe entzünden können.
- **Halten Sie Kinder und Außenstehende bei der Arbeit mit dem Werkzeug fern.** Jede Ablenkung kann dazu führen, dass Sie die Kontrolle verlieren.

**SICHERHEITSHINWEISE ZUM ARBEITEN MIT ELEKTRIZITÄT**

- **Der Stecker des Elektrowerkzeugs muss in die Steckdose passen. Den Stecker niemals auf irgendeine Weise modifizieren. Verwenden Sie mit geerdeten Elektrowerkzeugen niemals Übergangsstecker.** Nicht-modifizierte Stecker und passende Steckdosen reduzieren das Risiko von Stromschlägen.
- **Vermeiden Sie Körperkontakt mit geerdeten Oberflächen, wie Rohren, Heizkörpern, Küchenherden und Kühlschränken.** Es besteht ein erhöhtes Stromschlagrisiko wenn Ihr Körper geerdet ist.

- **Elektrowerkzeuge nicht nassen oder feuchten Bedingungen aussetzen.** Ein Eindringen von Wasser in ein Elektrowerkzeug erhöht die Gefahr eines Stromschlags.
- **Das Stromkabel nicht überstrapazieren. Verwenden Sie das Kabel niemals, um das Werkzeug damit zur tragen, zu ziehen oder den Stecker aus der Steckdose zu ziehen. Halten Sie das Kabel von Hitze, Öl, scharfen Kanten oder beweglichen Teilen fern.** Beschädigte oder verwickelte Kabel erhöhen die Stromschlaggefahr.
- **Verwenden Sie bei der Arbeit mit Elektrowerkzeugen im Freien nur Verlängerungskabel, die auch zum Gebrauch im Freien geeignet sind.** Die Verwendung eines Kabels, das zum Gebrauch im Freien geeignet ist, verringert die Stromschlaggefahr.
- **Falls der Einsatz eines Elektrowerkzeugs an einem feuchten Ort unvermeidbar sein sollte, verwenden Sie ein durch eine Fehlerstromschutzschaltung geschütztes Stromnetz.** Der Einsatz einer Fehlerstromschutzschaltung verringert die Stromschlaggefahr.

**PERSÖNLICHE SICHERHEIT**

- **Blieben Sie wachsam, achten Sie auf das was Sie tun und benutzen Sie bei der Arbeit mit Werkzeugen Ihren gesunden Menschenverstand. Verwenden Sie das Werkzeug nicht bei Müdigkeit oder unter dem Einfluss von Drogen, Alkohol oder Medikamenten.** Ein kurzer Moment der Unachtsamkeit bei der Arbeit mit einem Werkzeug kann zu schweren Verletzungen führen.
- **Verwenden Sie Schutzausrüstung. Tragen Sie immer einen Augenschutz.** Schutzausrüstung wie Staubmasken, rutschfeste Schuhe, Schutzhelm oder Gehörschutz, die unter entsprechenden Bedingungen verwendet werden, reduzieren die Verletzungsgefahr.
- **Vermeiden Sie ein unbeabsichtigtes Einschalten. Vergewissern Sie sich, dass der Schalter des Werkzeugs sich vor dem Anschluss an das Stromnetz und/oder dem Akku, beim Aufheben oder Tragen, in der OFF (AUS) Position befindet.** Das Tragen von Elektrowerkzeugen mit dem Finger am Schalter bzw. von an das Stromnetz angeschlossenen Elektrowerkzeugen bei eingeschaltetem Schalter kann zu Unfällen führen.
- **Entfernen Sie Einstellschlüssel bevor Sie das Werkzeug einschalten.** Ein auf einem sich drehenden Teil des Werkzeugs verbleibender Schlüssel kann zu Verletzungen führen.
- **Überarbeiten Sie sich nicht. Sorgen Sie jederzeit für einen festen Stand und ein gutes Gleichgewicht.** Dies sorgt für eine bessere Kontrolle über das Werkzeug in unerwarteten Situationen.
- **Kleiden Sie sich den Umständen entsprechend! Tragen Sie keine locker sitzende Kleidung oder Schmuck. Halten Sie Haare, Kleidung und Handschuhe von beweglichen Teilen fern. Locker**





sitzende Kleidung, Schmuck oder lange Haare können sich in beweglichen Teilen verfangen.

- **Falls Zubehörteile zum Absaugen von Staub oder als Sammelvorrichtungen geliefert werden, vergewissern Sie sich, dass diese angeschlossen sind und ordnungsgemäß funktionieren.** Der Einsatz von Staubsammelvorrichtungen kann staubbedingte Gefahren reduzieren.

#### BENUTZUNG UND PFLEGE DES ELEKTROWERKZEUGS

- **Betätigen Sie das Werkzeug nicht mit Gewalt. Verwenden Sie das geeignete Werkzeug für Ihre Arbeit.** Das geeignete Werkzeug erledigt die Arbeit besser und sicherer mit der Geschwindigkeit für die es ausgelegt wurde.
- **Verwenden Sie das Elektrowerkzeug nicht, falls es sich durch den Schalter nicht ein- und ausschalten lässt.** Ein Elektrowerkzeug, das sich durch den Schalter nicht steuern lässt, ist gefährlich und muss repariert werden.
- **Ziehen Sie den Netzstecker aus der Steckdose und/ oder nehmen den Akku aus dem Elektrowerkzeug, bevor Sie irgendwelchen Einstellungen vornehmen, Zubehör wechseln oder Elektrowerkzeuge lagern.** Diese vorbeugenden Maßnahmen reduzieren das Risiko eines unbeabsichtigten Startens des Elektrowerkzeugs.
- **Bewahren Sie Werkzeuge, die nicht benutzt werden, außer Reichweite von Kindern auf und erlauben Sie Personen, die mit dem Werkzeug oder dieser Anleitung nicht vertraut sind, nicht den Umgang mit dem Werkzeug.** Werkzeuge in den Händen unbedarfter Anwender sind ein Gefahr!
- **Pflegen Sie Werkzeuge. Überprüfen Sie sie auf Fluchtungsabweichungen oder ein Blockieren beweglicher Teile, beschädigte Teile und andere Umstände, die sich auf den Betrieb des Werkzeugs auswirken könnten. Lassen Sie das Werkzeug bei Beschädigung vor dem Gebrauch reparieren.** Viele Unfälle werden durch schlecht gepflegte Werkzeuge verursacht.
- **Halten Sie Schneidwerkzeuge scharf und sauber.** Ordnungsgemäß gepflegte Schneidwerkzeuge mit scharfen Schnittklingen blockieren nicht so leicht und lassen sich einfacher unter Kontrolle halten.
- **Benutzen Sie das Elektrowerkzeug, Zubehör und Werkzeugeinsätze usw. gemäß diesen Anweisungen und ziehen die Arbeitsbedingungen und die zu leistende Arbeit in Betracht.** Der Einsatz des Elektrowerkzeugs für Arbeiten, für die es nicht vorgesehen ist, kann zu gefährlichen Situationen führen.

#### BENUTZUNG UND WARTUNG VON AKKUGERÄTEN

- **Laden Sie den Akku nur mit dem durch den Hersteller vorgesehenen Ladegerät auf.** Ein Ladegerät, das für eine Art von Akkus geeignet ist,

kann eine Feuergefahr darstellen, wenn es für eine andere Akkuart verwendet wird.

- **Verwenden Sie Elektrowerkzeuge nur mit den dafür vorgesehenen Akkus.** Die Verwendung anderer Batterien oder Akkus kann zu Verletzungen und Feuer führen.
- **Halten Sie Akkus, die nicht benutzt werden, von anderen Metallobjekten wie Büroklammern, Münzen, Schlüsseln, Nägeln, Schrauben oder anderen kleinen Metallobjekten, die eine Verbindung zwischen den Polen herstellen könnten, fern.** Ein Kurzschließen der Akkupole kann Verbrennungen oder ein Feuer verursachen.
- **Unter missbräuchlichen Bedingungen kann Flüssigkeit aus dem Akku spritzen - vermeiden Sie den Kontakt mit dieser Flüssigkeit!** Spülen Sie nach versehentlichem Kontakt mit viel Seife und Wasser. Suchen Sie sofort medizinische Hilfe auf, falls die Flüssigkeit in die Augen gerät. Aus dem Akku ausgetretene Flüssigkeit kann zu Irritationen oder Verätzungen führen.

#### SERVICE – REPARATUR

- **Lassen Sie Ihr Werkzeug durch qualifizierte Fachleute unter ausschließlicher Verwendung von identischen Ersatzteilen warten.** Dadurch wird sichergestellt, dass das Werkzeug in einem sicheren Betriebszustand gehalten wird.

#### SPEZIELLE SICHERHEITSGESETZE

- **Halten Sie Körperteile von der Schnittklinge fern. Entfernen Sie kein Schnittmaterial oder halten zu schneidendes Material, während die Klingen sich in Bewegung befinden. Stellen Sie sicher, dass der Schalter ausgeschaltet ist, wenn Sie eingeklemmtes Material entfernen.** Ein kurzer Moment der Unachtsamkeit beim Betrieb der Heckenschere kann zu schweren Verletzungen führen.
- **Tragen Sie die Heckenschere am Griff und bei angehaltener Schnittklinge. Setzen Sie bei Transport oder Lagerung der Heckenschere immer die Schnittwerkabdeckung auf.** Die richtige Handhabung der Heckenschere verringert die möglichen Körperverletzungen durch die Schnittmesser.
- **Halten Sie das Werkzeug nur an den isolierten Griffteilen fest, weil die Schnittklinge in Kontakt mit versteckten Drähten oder dem eigenen Stromkabel geraten könnte. Wenn das Schnittmesser ein stromführendes Kabel berührt, können Metallteile des Elektrowerkzeugs unter Strom stehen und den Bediener einem Stromschlag aussetzen.**

#### VORGESEHENE VERWENDUNG

- **Dieses Produkt wurde für den Hausgebrauch entwickelt. Es ist vorgesehen um Hecken, Büsche und ähnliche Pflanzen zu schneiden.**





- Es sollte in trockener, gut beleuchteter Umgebung benutzt werden.
- Es ist NICHT vorgesehen um Gras, Bäume oder Äste zu schneiden. Es sollte für keine andere Aufgabe als das Schneiden von Hecken benutzt werden.

### ZUSÄTZLICHE SICHERHEITSVORSCHRIFTEN

#### VORBEREITUNG

- **Räumen Sie den Schnittbereich vor jedem Einsatz frei.** Entfernen Sie sämtliche Gegenstände wie z.B. Kabel, Beleuchtungen, Drähte oder Seile, die sich in dem Schnittmesser verfangen können.
- **Halten Sie den Bereich frei von Kindern, Zuschauern und Haustieren.** Halten Sie alle Kinder, Zuschauer und Haustiere mindestens 15 m entfernt; ein Risiko durch fliegende Gegenstände kann immer noch bestehen. Halten Sie die Maschine sofort an, wenn sich jemand Ihnen nähert.
- **Nicht bei schlechter Beleuchtung verwenden.** Benutzen Sie das Gerät bei Tageslicht oder gutem Kunstlicht.
- **Untersuchen Sie das Gerät vor der Benutzung.** Ersetzen Sie alle beschädigte Teile. Überprüfen Sie den Akku auf undichte Stellen.
- **Stellen Sie sicher, dass alle Verschlüsse und Schutzvorrichtungen montiert und gesichert sind.** Ersetzen Sie die Schnittmesser oder andere Teile, wenn sie gerissen, angeschlagen oder beschädigt sind. Stellen Sie sicher, dass das Schnittmesser ordnungsgemäß montiert und befestigt ist. Nichtbefolgung kann zu Körperverletzungen des Benutzers oder von Zuschauern führen, sowie das Gerät beschädigen.
- **Versuchen Sie niemals ein unvollständiges, oder mit unautorisierten Modifikationen ausgestattetes Gerät zu benutzen.** Benutzen Sie dieses Werkzeug nicht falls irgendwelche Teile fehlen, bis die fehlenden Teile ersetzt wurden.

#### VERWENDUNG

- **Benutzen Sie den Trimmer nicht ohne den montierten vorderen Griff.** Halten Sie beide Hände an den Griffen, wenn das Gerät benutzt wird.
- **Vergewissern Sie sich vor dem Starten des Geräts, dass die Schneidklingen mit nichts in Kontakt geraten können.**
- **Halten Sie das Gerät frei von Schnittgut und anderem Material.** Sie können in den Schnittmessern eingeklemmt werden.
- Falls sich Fremdkörper in der Maschine verfangen sollte, halten Sie das Gerät sofort an, entnehmen Sie den Akku und überprüfen Sie das Gerät auf Beschädigungen. Arbeiten Sie nicht mit dem Werkzeug, falls Teile lose oder beschädigt sein sollten.
- **Beachten Sie jederzeit Ihre Umgebung und achten Sie auf mögliche Gefahren, die Sie eventuell**

#### aufgrund des Lärms der Maschine nicht hören können.

- Die tatsächlichen Vibrationswerte beim Einsatz des Werkzeugs können von den angegebenen Werten abweichen und hängen von der Art des Werkzeuggebrauchs ab. Identifizieren Sie aufgrund einer Einschätzung der Exponierung unter tatsächlichen Einsatzbedingungen Maßnahmen zum eigenen Schutz, unter Berücksichtigung aller Bestandteile des Betriebszyklus, wie die Zeiten zu denen das Werkzeug ausgeschaltet ist, und zu denen es sich zusätzlich zu den Auslösezeitpunkten im Leerlauf befindet.
- Vibrationen von in der Hand gehaltenen Werkzeugen können bei einigen Personen zu einem Zustand, der Raynaud-Syndrom genannt wird, führen. Symptome sind u.a. Kribbeln, Taubheitsgefühl und episodische Weißfärbung der Finger und treten normalerweise bei Kälte auf. Man geht davon aus, dass ererbte Faktoren, Kälte und Feuchtigkeit, Essgewohnheiten, Rauchen und Arbeitsweise zur Entwicklung dieser Symptome beitragen. Momentan ist es unbekannt welche Vibrationen, wenn überhaupt, oder welches Ausmaß der Exposition zu diesem Zustand beisteuert. Der Anwender kann Maßnahmen ergreifen, um die Auswirkungen der Vibrationen möglicherweise zu verringern:
  - Halten Sie den Körper bei Kälte warm. Tragen Sie beim Betrieb des Geräts Handschuhe, um Hände und Handgelenke warm zu halten. Berichten zu Folge ist kaltes Wetter ein wesentlicher Faktor, der zum Raynaud Syndrom beiträgt.
  - Betätigen Sie sich nach jedem Einsatz körperlich, um den Blutkreislauf zu steigern.
  - Machen Sie regelmäßige Pausen. Beschränken Sie die Beanspruchung pro Tag.
 Sollten bei Ihnen Symptome dieses Zustands auftreten, stellen Sie unverzüglich den Betrieb ein und suchen Sie in Hinsicht auf die Symptome einen Arzt auf.

#### WARTUNG UND PFLEGE

- **Beim Service sollten Sie nur originale Ersatzteile benutzen.** Die Benutzung ungeeigneter Ersatzteile könnte schweren Sachschaden entstehen lassen.
- **Vermeiden Sie beim Reinigen der Plastikteile den Einsatz von Lösungsmitteln.** Die meisten Plastikteile können durch den Gebrauch der handelsüblichen Solventien beschädigt werden, was sich auch auf ihre Leistung auswirken kann. Verwenden Sie saubere Tücher um Verunreinigungen wie Staub, Öl, Schmierstoffe usw. zu entfernen.
- **Bewahren Sie das Gerät an einem trockenen Ort auf, entweder verschlossen oder hoch oben um unautorisierte Benutzung und Beschädigung zu verhindern.** Halten Sie das Gerät von Kindern oder ungeschulten Personen fern.



**UMWELTSCHUTZ**



Recyceln Sie die Rohstoffe anstatt sie in die Haushaltsabfälle zu geben. Zum Schutz der Umwelt müssen das Gerät, die Zubehörteile und die Verpackungen getrennt entsorgt werden.

**SYMBOL**



Sicherheitsvorkehrungen, die sich auf ihre Sicherheit auswirken.



Konformität mit technischen Vorschriften



Lesen Sie die Gebrauchsanweisung und befolgen Sie alle Warn- und Sicherheitsanweisungen.



Augen- und Gehörschutz tragen



Hochgeschleuderte Objekte können querschlagen und Verletzungen oder Sachbeschädigungen verursachen. Tragen Sie Schutzbekleidung und Stiefel.



Tragen Sie rutschfeste, strapazierfähige Handschuhe.



Halten Sie alle Außenstehenden mindestens 15 Meter fern.



Nicht Regen oder feuchten Bedingungen aussetzen.



Elektrische Geräte sollten nicht mit dem übrigen Müll entsorgt werden. Bitte entsorgen Sie diese an den entsprechenden Entsorgungsstellen. Wenden Sie sich an die örtliche Behörde oder Ihren Händler, um Auskunft über die Entsorgung zu erhalten.

**SYMBOL IN DIESER BEDIENUNGSANLEITUNG**



Sicherheit



Auspacken



Erste Schritte



Überblick



Verwendung



Wartung und pflege



Gehen Sie auf Seite #



Information



Sicherheitswarnung



Akku anschließen



Akku trennen



Schmieröl



Schloß



Öffnen



Tragen Sie Sicherheitshandschuhe



Berühren Sie nicht die sich bewegende Klinge



Teile oder Zubehör getrennt erhältlich

**⚠ ADVERTENCIA**

Este aparato no deberá ser utilizado por personas (incluyendo niños) con discapacidades físicas, sensoriales o mentales, o falta de experiencia y conocimiento, a menos que una persona responsable por su seguridad les supervise o les indique las instrucciones del uso del aparato. Los niños deben ser supervisados para evitar que jueguen con el aparato.

**ADVERTENCIAS GENERALES DE SEGURIDAD DE LA HERRAMIENTA ELÉCTRICA****⚠ ADVERTENCIA**

Lea todas las advertencias de peligro e instrucciones. El incumplimiento de las advertencias e instrucciones puede provocar descargas eléctricas, incendios y/o lesiones graves.

Conserve estas advertencias e instrucciones para poder consultarlas posteriormente.

El término "herramienta eléctrica" que aparece en las advertencias se refiere a su herramienta eléctrica (con cable) o con batería (sin cables).

**ZONA DE TRABAJO**

- Mantenga el área de trabajo limpia y bien iluminada. Las zonas oscuras o poco despejadas pueden provocar accidentes.
- No utilice herramientas eléctricas en entornos inflamables, como puede ser en presencia de líquidos inflamables, gases o polvo. Las herramientas eléctricas crean chispas que pueden inflamar el polvo o el humo.
- Mantenga a los niños y personas ajenas alejadas de la zona en la que está utilizando la herramienta eléctrica. Las distracciones pueden hacer que pierda el control de la herramienta.

**SEGURIDAD ELÉCTRICA**

- Las conexiones de la herramienta eléctrica deben corresponder a los de la toma de corriente. No modifique el enchufe de ninguna manera. No utilice ningún adaptador con herramientas eléctricas conectadas a tierra. Utilizar enchufes sin modificar y tomas correspondientes reducirán el riesgo de descargas eléctricas.
- Evite el contacto corporal con superficies conectadas a tierra, como tuberías, radiadores, estufas y refrigeradores. Existe un mayor riesgo de descargas eléctricas si su cuerpo está conectado a tierra.
- No ponga las herramientas eléctricas a la lluvia o humedad. Si entra agua en una herramienta eléctrica podría aumentar el riesgo de descargas eléctricas.

- Utilice correctamente el cable. No utilice el cable para llevar, tirar o desconectar el cable de la herramienta. Mantenga el cable lejos del calor, aceite, bordes afilados o partes móviles. Los cables dañados o enredados aumentan el riesgo de descargas eléctricas.
- A la hora de utilizar herramientas eléctricas al aire libre, utilice un alargador adecuado para uso en exteriores. El uso de un cable adecuado para uso en exteriores reduce el riesgo de descargas eléctricas.
- Si es inevitable utilizar una herramienta eléctrica en un lugar húmedo, utilice un dispositivo de corriente residual (RCD) como protección. El uso de un RCD reduce el riesgo de descargas eléctricas.

**SEGURIDAD PERSONAL**

- Manténgase alerta y atento a lo que está haciendo y utilice el sentido común al utilizar una herramienta eléctrica. No utilice una herramienta eléctrica cuando esté cansado o bajo la influencia de drogas, alcohol o medicamentos. En un momento de descuido, mientras utiliza herramientas eléctricas podrían ocurrir lesiones personales graves.
- Utilice un equipo de protección personal. Utilice siempre dispositivos de protección ocular. El equipo de protección como las máscaras de polvo, calzado antideslizante de seguridad, cascos rígidos o unas condiciones adecuadas reducirán los daños corporales.
- Evite la puesta en marcha accidental de la herramienta. Asegúrese de que el interruptor está en posición OFF antes de conectar la herramienta a una toma de corriente y/o batería, y levantar o transportar la herramienta. El transporte de herramientas con el dedo sobre el interruptor o la conexión de herramientas eléctricas con el interruptor en ON puede causar accidentes.
- Extraiga cualquier llave de ajuste antes de encender la herramienta eléctrica. Una llave que se encuentra conectada a una pieza de rotación puede resultar en lesiones personales.
- No se extienda demasiado. Afírmese bien en sus piernas y no extienda demasiado el brazo. Esto permite un mejor control de la herramienta eléctrica en situaciones inesperadas.
- Lleve ropa adecuada. No use ropa holgada o joyas. Mantenga su cabello, ropa y guantes lejos de las piezas móviles. La ropa suelta, joyas o el cabello largo pueden quedar atrapados en las piezas móviles.
- Si existen dispositivos para la conexión de accesorios de recogida y extracción de polvo, asegúrese de que están conectados y que se utilizan adecuadamente. El uso de accesorios de recogida de polvo puede reducir riesgos relacionados con el polvo.



## USO Y CUIDADO DE LA HERRAMIENTA ELÉCTRICA

- **No fuerce la herramienta eléctrica. Utilice la herramienta correcta para su aplicación.** La herramienta correcta hará un trabajo más seguro y mejor para el que ha sido diseñada.
- **No utilice la herramienta eléctrica si el interruptor de encendido no responde.** Cualquier herramienta que no puede ser controlada con el interruptor de encendido es peligrosa y debe ser reparada.
- **Desconecte el enchufe de la fuente de alimentación y/o extraiga la batería de la herramienta eléctrica antes de hacer cualquier ajuste, cambiar accesorios o almacenar herramientas eléctricas.** Estas medidas preventivas de seguridad reducen el riesgo de arranque accidental de la herramienta.
- **Coloque las herramientas eléctricas a ralentí fuera del alcance de los niños y no permita que personas no familiarizadas con la herramienta o con estas instrucciones la utilicen.** Las herramientas eléctricas son peligrosas en manos de personas no capacitadas.
- **Realice labores de mantenimiento de las herramientas eléctricas. Compruebe la alineación o unión de las piezas móviles, si existe rotura de piezas o cualquier otro problema que pueda afectar al funcionamiento de la herramienta.** Si alguna pieza está dañada, la herramienta eléctrica debería repararse antes de volver a utilizarla. Muchos accidentes son causados por un mantenimiento deficiente.
- **Mantenga las herramientas de corte bien afiladas y limpias.** Las herramientas de corte con bordes de corte afilados que tienen un mantenimiento adecuado reducen su deterioro y son más fáciles de controlar.
- **Utilice la herramienta, accesorios, partes eléctricas, etc., de acuerdo con estas instrucciones, teniendo en cuenta las condiciones de trabajo y el trabajo que se va a realizar.** Utilizar la herramienta eléctrica para realizar trabajos diferentes a los que esta herramienta está destinada podría dar como resultado una situación peligrosa.

## USO Y CUIDADO DE LA HERRAMIENTA

- **Recargue la unidad solamente con el cargador especificado por el fabricante.** Podría haber un riesgo de incendio cuando se utilice un cargador con una batería para la que no está diseñado.
- **Utilice sólo herramientas eléctricas específicamente diseñadas para ellos.** Utilizar cualquier otro tipo de baterías puede causar lesiones o un riesgo de incendio.
- **Cuando la batería no está en uso, manténgala alejada de otros objetos metálicos como clips, monedas, llaves, clavos, tornillos u otros objetos metálicos pequeños que puedan crear una conexión desde una terminal a otra.** Causar un cortocircuito en los terminales de la batería puede causar quemaduras o un incendio.
- **En condiciones abusivas, podría salir expulsado líquido de la batería, por lo que debería evitar**

**el contacto con éste.** Si se produce un contacto accidental, enjuáguese las manos con mucha agua y jabón. Si el líquido entra en contacto con los ojos, acuda inmediatamente al médico. Si el líquido es expulsado de la batería y entra en contacto con él, podría causar irritación o quemaduras.

## MANTENIMIENTO

- **Su herramienta eléctrica debería ser reparada por personas cualificadas, que deberían utilizar únicamente piezas de repuesto idénticas.** Esto garantizará la seguridad a la hora de utilizar la herramienta eléctrica.

## INSTRUCCIONES DE SEGURIDAD ESPECÍFICAS

- **Mantenga todas las partes del cuerpo alejadas de la cuchilla. No extraiga material de corte ni sujete el material que va a cortar cuando las cuchillas estén en movimiento. Asegúrese de que el interruptor está apagado cuando limpie cualquier material atascado.** Un momento de distracción durante el uso del cortasetos puede causar lesiones personales graves.
- **Lleve el cortasetos por el mango con la cuchilla de corte parada.** Al transportar o almacenar el cortasetos, coloque siempre la tapa del dispositivo de corte. El manejo adecuado del cortasetos reducirá posibles lesiones personales debido a las cuchillas.
- **Sostenga la herramienta sólo por las superficies de agarre, ya que la cuchilla de corte puede entrar en contacto con el cableado oculto o su propio cable.** Las cuchillas en contacto con un cable con corriente pueden dejar expuestas las partes metálicas de la herramienta conectada, lo que podría provocar una descarga eléctrica al operario.

## USO PREVISTO

- Este producto está diseñado para uso personal o doméstico. Está diseñada para cortar y recortar setos, arbustos y vegetación similar.
- Debe utilizarse en un lugar seco y bien iluminado.
- NO está diseñada para cortar el césped, árboles o ramas. No debe utilizarse para un propósito diferente a cortar setos.

## NORMAS DE SEGURIDAD ADICIONALES

### PREPARACIÓN

- **Despeje el área que va a cortar antes de cada uso.** Retire todos los objetos como cables, luces, alambre o cuerdas que pueden quedar atrapados en la cuchilla de corte.
- **Despeje el área de los niños, transeúntes y las mascotas.** Como mínimo, mantenga todos los niños, transeúntes y mascotas fuera de un radio de 15 m; todavía puede haber un riesgo para los transeúntes



por los objetos lanzados. Si se le acerca, detenga inmediatamente la unidad.

- **No trabaje con esta herramienta en una zona mal iluminada.** El lugar de trabajo debe estar bien iluminado (con luz de día o luz artificial).
- **Inspeccione la unidad antes de su uso.** Reemplace las piezas dañadas. Compruebe si hay fugas en la batería.
- **Asegúrese de que todos los cierres y cubiertas están seguros y en su sitio.** Reemplace las cuchillas de corte o cualquier otra pieza que estén agrietadas, astilladas o dañadas. Asegúrese de que la cuchilla está correctamente instalada y con un ajuste seguro. No seguir correctamente estas instrucciones puede ocasionar lesiones personales al operador y los transeúntes así como daños a la unidad.
- **Nunca trate de usar una máquina incompleta o una equipada con una modificación no autorizada.** Si falta alguna, no utilice la unidad hasta que haya reemplazado las piezas que faltan.

#### UTILIZACIÓN

- **No utilice podadora sin el mango delantero en su lugar.** Mantenga ambas manos en las asas cuando la unidad está en uso.
- **Antes de arrancar la unidad, asegúrese de que las cuchillas de corte no entrarán en contacto con nada.**
- **Mantenga limpia la unidad de recortes de setos y otros materiales.** Pueden quedar atrapados en las cuchillas de corte.
- Si la máquina golpea o se enreda con objetos extraños, deténgala inmediatamente, retire la batería y compruebe si hay daños. No haga funcionar la unidad con piezas sueltas o dañadas.
- **Sea siempre consciente de sus alrededores y preste atención ante los posibles peligros que puede no oír debido al ruido de la máquina.**
- El nivel de vibraciones durante el uso real de la herramienta eléctrica puede diferir del valor total declarado, dependiendo de la forma en que se utilice la herramienta. Identifique las medidas de seguridad para protegerse en base a una estimación de la exposición en las condiciones reales de uso, teniendo en cuenta todas las partes del ciclo de funcionamiento, como los tiempos en que la herramienta está apagada y cuando está en ralentí, además del tiempo de activación.
- Se ha informado de que las vibraciones de las herramientas de mano puede contribuir a una condición llamada síndrome de Raynaud en ciertos individuos. Los síntomas pueden incluir hormigueo, entorpecimiento y decoloración de los dedos, generalmente aparentes cuando tiene lugar una exposición al frío. Se considera que los factores hereditarios, exposición al frío y a la humedad, dieta, tabaquismo y prácticas de trabajo contribuyen al desarrollo de estos síntomas. En la actualidad se desconoce qué cantidad de vibraciones o grado de exposición, en su caso, pueden contribuir

a esta enfermedad. Existen medidas que pueden ser tomadas por el operador para reducir los efectos de vibración:

- a. Mantenga su cuerpo caliente durante el tiempo frío. Al manipular la unidad, utilice guantes para mantener las manos y las muñecas calientes. Hay informes que indican que el tiempo frío es un gran factor que contribuye al síndrome de Raynaud.
- b. Después de cada período de funcionamiento, realice ejercicios para aumentar la circulación sanguínea.
- c. Haga pausas de trabajo frecuentes. Limite la cantidad de exposición por día.

Si siente alguno de los síntomas de esta enfermedad, interrumpa inmediatamente el uso y consulte a su médico estos síntomas.

#### MANTENIMIENTO

- **Al realizar una reparación, sólo use piezas de reemplazo idénticas.** El uso de cualquier otra pieza puede crear un riesgo o causar daño al producto.
- **Evite el uso de disolventes para limpiar las piezas de plástico.** La mayoría de los plásticos son susceptibles a daños de varios tipos de solventes comerciales y pueden dañarse por su uso. Use un paño limpio para limpiar la suciedad, polvo, aceite, grasa, etc. de la herramienta.
- **Guarde la unidad en un lugar seco, ya sea bajo llave o en alto para evitar el uso no autorizado o daño.** Manténgase fuera del alcance de los niños o personas no capacitadas.

#### PROTECCIÓN DEL MEDIO AMBIENTE



Recicle las materias primas en lugar de tirarlas a la basura doméstica. Para proteger el medio ambiente, debe separar la herramienta, los accesorios y los embalajes.

#### SÍMBOLO



Precauciones para su seguridad.



Conformidad con las normativas técnicas



Lea el manual de instrucciones y siga todas las advertencias e instrucciones de seguridad.



Utilice gafas de protección y otros dispositivos de protección para los oídos



Los objetos lanzados pueden rebotar y causar lesiones personales o daños materiales. Use calzado y ropa protectora.



Use guantes de trabajo resistentes, antideslizantes.



Mantenga a todos los presentes al menos a 15 metros de distancia.



No la exponga a la lluvia o a lugares húmedos.



Los productos eléctricos de desperdicio no deben desecharse con desperdicios caseros. Por favor reciclelos donde existan dichas instalaciones.

Compruebe con su autoridad local o minorista para reciclar.

ICONOS DE ESTE MANUAL



Seguridad



Desembalaje



Encender el Dispositivo



Información general



Utilización



Mantenimiento



Ir a la página #



Información



Advertencia



Conecte la batería



Desconecte la batería



Aceite lubricante



Cierre



Desbloquear



Use guantes de seguridad



No toque la cuchilla en movimiento



Las piezas o accesorios se venden por separado

**⚠ AVVERTENZA**

Questo dispositivo non andrà utilizzato da persone (compreso bambini) con capacità fisiche, sensoriali o mentali ridotte o non abilitate ad utilizzare il prodotto e meno che non siano supervisionate ed abbiano ricevuto le istruzioni necessarie per utilizzare il prodotto da una persona responsabile per la loro sicurezza. Supervisionare i bambini per assicurarsi che non giochino con il dispositivo.

**AVVERTENZE GENERALI SULLA SICUREZZA DELL'UTENSILE****⚠ AVVERTENZA**

**Leggere tutte le avvertenze di sicurezza e le istruzioni.** La mancata osservanza di tutte le istruzioni potrà causare scosse elettriche, incendi e/o gravi lesioni personali.

**Conservare le presenti avvertenze ed istruzioni per poterle consultare in seguito.**

Il termine "elettroutensile" nelle avvertenze fa riferimento a un elettroutensile che funziona con una spina (con cavo) o a batterie (senza cavo).

**AMBIENTE DI LAVORO**

- **Mantenere l'area di lavoro pulita e ben illuminata.** Aree di lavoro disordinate o non illuminate adeguatamente potranno causare incidenti.
- **Non mettere in funzione gli elettroutensili in atmosfere esplosive, come in presenza di liquidi infiammabili, gas o polvere.** Gli elettroutensili creano scintille che possono causare incendi a contatto con polveri e fumi.
- **Tenere bambini ed eventuali osservatori lontani mentre si mette in funzione l'elettroutensile.** Eventuali distrazioni potranno causare una perdita di controllo.

**SICUREZZA ELETTRICA**

- **La spina dell'elettroutensile deve corrispondere alla presa. Non modificare la spina in alcun modo. Non utilizzare spine adattatrici con elettroutensili con messa a terra (presa di terra).** Spine non modificate e prese corrispondenti ridurranno il rischio di scosse elettriche.
- **Evitare il contatto del corpo con superfici con messa a terra come tubi, radiatori, piani cottura e refrigeratori.** Rischio aumentato di scosse elettriche se il corpo viene collegato con messa a terra.
- **Non esporre l'elettroutensile a pioggia né a umidità.** Nel caso in cui dell'acqua entrerà nell'elettroutensile il rischio di scosse elettriche aumenterà.
- **Non sottoporre a sforzi il cavo dell'alimentazione.**

**Non trasportare né tirare o scollegare l'elettroutensile dal cavo. Tenere il cavo lontano da calore, olio, angoli appuntiti o parti in movimento.** Cavi danneggiati o intrecciati potranno far aumentare il rischio di scosse elettriche.

- **Quando si mette in funzione un elettroutensile all'esterno, utilizzare una prolunga adatta all'esterno.** Utilizzare un cavo adatto agli esterni per ridurre il rischio di scosse elettriche.
- **Nel caso in cui non si possa fare a meno di mettere in funzione un elettroutensile in un luogo umido, utilizzare un dispositivo di corrente residua (RCD).** Utilizzare un RCD ridurrà il rischio di scosse elettriche.

**SICUREZZA PERSONALE**

- **Mantenere sempre l'attenzione e utilizzare buon senso quando si utilizza un elettroutensile. Non utilizzare un elettroutensile se stanchi o sotto l'influenza di droghe, alcool o farmaci.** Un momento di disattenzione durante le operazioni potrà risultare in gravi lesioni personali.
- **Utilizzare equipaggiamento di protezione personale. Indossare sempre occhiali di protezione.** Utilizzare sempre equipaggiamento di protezione come maschere per la polvere, calzature antiscivolo, caschi o cuffie di protezione per ridurre rischi di lesioni alla persona.
- **Prevenire l'avvio accidentale. Assicurarsi che l'interruttore sia sulla posizione off (spento) prima di collegare l'utensile all'alimentazione e/o al gruppo batterie, o prima di affere e trasportare l'utensile.** Trasportare elettroutensili tenendo un dito sull'interruttore o con l'elettroutensile acceso potrà causare incidenti.
- **Rimuovere eventuali chiavi o dispositivi di regolazione prima di accendere l'elettroutensile.** Una chiave o un dispositivo di blocco collegato a una parte rotante dell'utensile potrà risultare in gravi lesioni personali.
- **Non protendersi. Rimanere bene in equilibrio sulle gambe e non distendere troppo lontano le braccia.** Ciò permetterà un miglior controllo dell'elettroutensile in situazioni inaspettate.
- **Indossare un abbigliamento adatto. Non utilizzare abiti con parti svolazzanti o gioielli. Tenere capelli, vestiti e guanti lontani dalle parti in movimento.** Abiti con parti svolazzanti, gioielli o capelli lunghi potranno rimanere impigliati nelle parti in movimento.
- **Nel caso in cui vengano forniti dispositivi per l'estrazione e la raccolta della polvere, assicurarsi che gli stessi siano collegati e utilizzati correttamente.** Utilizzare il sacchetto di raccolta della polvere può ridurre rischi collegati alla polvere.

**UTILIZZO E MANUTENZIONE ELETTROUTENSILI**

- **Non sforzare l'elettroutensile. Utilizzare l'elettroutensile corretto per il proprio lavoro.** L'elettroutensile corretto svolgerà in maniera migliore e





più sicura il lavoro per il quale è stato progettato.

- **Non utilizzare l'elettrotensile se l'interruttore non si accende e spegne.** Un elettrotensile che non può essere controllato dall'interruttore è pericoloso e deve essere riparato.
- **Scolleghere la presa dall'alimentazione e/o il gruppo batterie dall'elettrotensile prima di fare le adeguate regolazioni, cambiare gli accessori o riporre gli elettrotensili.** Queste misure di sicurezza preventive ridurranno il rischio di avvio dell'elettrotensile.
- **Riporre elettrotensili lontano dalla portata dei bambini e non permettere a persone che non conoscano il funzionamento dell'elettrotensile o queste istruzioni di metterlo in funzione.** Gli elettrotensili possono essere pericolosi se utilizzati da personale non preparato.
- **Svolgere sempre le operazioni di manutenzione sull'elettrotensile. Controllare l'eventuale allineamento scorretto o blocco delle parti in movimento, la rottura di parti e qualsiasi altra condizione che potrà influenzare il funzionamento dell'elettrotensile. In caso di danni far riparare l'elettrotensile prima di utilizzarlo.** Elettrotensili sui quali non sono state svolte le dovute operazioni di manutenzione possono essere causa di incidenti.
- **Mantenere tutti gli utensili affilati e appuntiti.** Utensili per operazioni di taglio con parti taglienti sui quali sono state svolte le corrette operazioni di manutenzione non si bloccheranno e saranno più facili da controllare.
- **Utilizzare l'elettrotensile, i suoi accessori, le punte ecc. assieme a queste istruzioni tenendo conto delle condizioni di lavoro e del lavoro da svolgere.** Utilizzare l'elettrotensile per operazioni diverse da quelle indicate potrà causare situazioni pericolose.

#### UTILIZZO E MANUTENZIONE DI UN UTENSILE A BATTERIE

- **Ricaricare solo con il caricatore indicato dalla ditta produttrice.** Un caricatore adatto per un tipo di batterie potrà creare un rischio di incendio se utilizzato con un altro gruppo batterie.
- **Utilizzare elettrotensili solo con i gruppi batteria indicati.** L'utilizzo di gruppi batteria diversi da quelli indicati potrà causare rischi di lesioni e incendi.
- **Quando il gruppo batterie non viene utilizzato, tenerlo lontano da oggetti in metallo come fermagli, monete, chiavi, chiodi, viti o altri piccoli oggetti che potranno fare da tramite da un terminale all'altro.** Cortocircuitare i terminali della batteria assieme potrà causare scottature o incendi.
- **Se sottoposto a stress, la batteria potrà perdere dei liquidi; evitare il contatto.** Nel caso in cui si verifichi un contatto accidentale, lavarsi con acqua e sapone. In caso di contatto con gli occhi, rivolgersi immediatamente a un medico. Il liquido espulso dalla batteria potrà causare irritazioni o scottature.

#### MANUTENZIONE

- **Far svolgere la manutenzione da personale qualificato utilizzando solo parti di ricambio identiche.** Ciò permette di mantenere la sicurezza dell'elettrotensile.

#### NORME DI SICUREZZA SPECIFICHE

- **Tenere tutte le parti del corpo lontane dalla lama di taglio. Non rimuovere materiale tagliato o materiale da tagliare che si sta reggendo con le mani mentre le lame sono in movimento. Assicurarsi che l'interruttore sia spento quando si rimuove del materiale incastrato tra le lame.** Un momento di disattenzione durante la messa in funzione del decespugliatore potrà causare gravi lesioni personali.
- **Trasportare il decespugliatore dal manico con la lama arrestata. Quando si trasporta o si ripone il decespugliatore, inserire sempre il coperchio sul dispositivo di taglio.** Utilizzare il decespugliatore in modo corretto ridurrà eventuali lesioni che potranno essere causate dalla lama di taglio.
- **Reggere l'elettrotensile dalle superfici isolate dal momento che la lama di taglio potrà entrare in contatto con cavi nascosti o con il suo stesso cavo. Se le lame di taglio entrano in contatto con un cavo "vivo" potranno rendere "vive" le parti in metallo dell'elettrotensile causando scosse elettriche all'operatore.**

#### UTILIZZO RACCOMANDATO

- Prodotto destinato a utilizzo privato o domestico. Ideale per tagliare e sfrondare siepi, cespugli e altra vegetazione simile.
- Utilizzare solo in luoghi asciutti e ben illuminati.
- **NON** adatto a tagliare erba, alberi o rami. Non utilizzare per scopi diversi oltre a sfrondare siepi.

#### ULTERIORI NORME DI SICUREZZA

#### PREPARAZIONE

- **Pulire la zona di lavoro prima delle operazioni.** Rimuovere tutti gli oggetti come cavi, luci, fili o corde che potranno rimanere impigliati nella lama di taglio.
- **Allontanare bambini, osservatori e animali dalla zona di lavoro.** Alla velocità minima, tenere bambini, eventuali osservatori e animali fuori da un raggio di 15m; vi potrà essere un ulteriore rischio per gli osservatori che potranno essere colpiti da oggetti scagliati dalla macchina. Nel caso in cui un osservatore si avvicini all'operatore, arrestare immediatamente l'unità.
- **Norme di sicurezza generali non utilizzare questo apparecchio in una zona scarsamente illuminata.** Assicurarsi che l'ambiente di lavoro sia adeguatamente illuminato (dalla luce del giorno o dalla luce artificiale).
- **Controllare l'unità prima dell'utilizzo.** Sostituire le





parti danneggiate. Controllare che il gruppo batterie non perda.

- **Assicurarsi che tutti i dispositivi di chiusura e i paralame siano stati inseriti e assicurati.** Sostituire le lame di taglio e le altre parti rotte, scheggiate o danneggiate. Assicurarsi che le lame di taglio siano state installate e assicurate. La mancata osservanza di questa norma potrà causare lesioni personali all'operatore e agli osservatori come pure danni all'unità.
- **Non tentare di utilizzare un utensile non completamente montato o montato ma con delle modifiche non autorizzate.** Non mettere in funzione fino a che le parti mancanti non siano state sostituite.

#### UTILIZZO

- **Non utilizzare il decespugliatore senza il manico anteriore al suo posto.** Tenere entrambe le mani sui manici quando l'unità è in uso.
- **Prima di avviare l'unità, assicurarsi che le lame di taglio non entrino in contatto con niente.**
- **Rimuovere dall'unità scarti di materiali tagliati o altri materiali.** Potranno rimanere impigliati nelle lame di taglio.
- Nel caso in cui l'utensile urti contro corpi estranei o rimanga impigliato in corpi estranei, arrestarlo immediatamente, rimuovere il gruppo batteria e controllare eventuali danni. Non mettere in funzione l'unità senza parti allentate o danneggiate.
- **Fare sempre attenzione allo spazio di lavoro, mantenere la massima attenzione per evitare eventuali rischi che non potranno essere uditi a causa del rumore della macchina.**
- Il livello di vibrazioni durante l'utilizzo attuale dell'elettroutensile potranno differire dal valore totale dichiarato a seconda del lavoro che si svolge con l'utensile. Individuare misure di sicurezza per proteggersi basate su una stima dell'esposizione nelle attuali condizioni di utilizzo, prendendo in considerazione tutte le parti del ciclo operativo come i tempi in cui l'utensile viene spento o quando funziona al minimo oltre al tempo di attivazione.
- Si è accertato che le vibrazioni causate da utensili a mano possono contribuire a causare una condizione chiamata Sindrome di Raynaud in alcune persone. I sintomi, comprendenti formicolio, intorpidimento e perdita di colore alle dita, si verificano di solito quando ci si espone al freddo. Fattori ereditari, esposizione a freddo e umidità, una dieta scorretta, fumo e condizioni di lavoro non sicure potranno contribuire allo sviluppo di questi sintomi. Al momento non si conosce se vibrazioni o la durata dell'esposizione a vibrazioni possa contribuire a tale condizione. È possibile prendere delle precauzioni per ridurre le vibrazioni:
  - a. Tenere il corpo al caldo a basse temperature. Quando si utilizza l'utensile, indossare guanti e tenere le mani e i polsi caldi. Le basse temperature contribuiscono a causare la Sindrome di Raynaud.

b. Dopo aver utilizzato l'utensile per un certo periodo, fare degli esercizi per stimolare la circolazione del sangue.

c. Fare spesso delle pause. Limitare la quantità di esposizione giornaliera.

Nel caso in cui si provino i sintomi di questa condizione, interrompere immediatamente l'utilizzo dell'utensile e consultare un dottore.

#### MANUTENZIONE

- **Quando l'attrezzo viene riparato, utilizzare solo ricambi identici.** Utilizzare parti di ricambio diverse potrà causare rischi o danneggiare il prodotto.
- **Evitare di utilizzare solventi quando si puliscono le parti in plastica.** La maggior parte dei materiali plastici è soggetta a danni di vario tipo da solventi commerciali e può essere danneggiata dal contatto con gli stessi. Utilizzare un panno pulito per rimuovere tracce di sporco, polvere, olio, grasso ecc.
- **Riporre l'unità in un luogo asciutto, chiuderla a chiave o tenerla in alto per evitare che persone non autorizzate possano raggiungerla o per evitare danni.** Tenere lontano della portata dei bambini o di individui non preparati.

#### TUTELA DELL'AMBIENTE



Riciclare le materie prime anziché gettarle tra i rifiuti domestici. Per tutelare l'ambiente, l'apparecchio, gli accessori e gli imballaggi devono essere smaltiti separatamente.

#### SIMBOLO



Precauzioni sulla sicurezza.



Conforme a norme tecniche



Leggere il manuale d'istruzioni e seguire tutte le avvertenze e le istruzioni di sicurezza.



Indossare occhiali e cuffie di protezione



Gli oggetti scagliati potranno rimbalzare causando gravi lesioni personali o danni alla proprietà. Indossare indumenti e stivali protettivi.



Indossare guanti anti-scivolo da lavoro.



Tenere eventuali osservatori a 15m di distanza.



Non esporre a pioggia o umidità.



I prodotti elettrici non devono essere smaltiti con i rifiuti domestici. Vi sono strutture per smaltire tali prodotti. Informarsi presso il proprio Comune o rivenditore di sicurezza per smaltire adeguatamente tali rifiuti.

ICONE IN QUESTO MANUALE



Sicurezza



Rimuovere l'involucro



Avvio



Visione d'insieme



Utilizzo



Manutenzione



Vai a pagina #



Informazioni



Avvertenza



Collegare la batteria



Scollegare la batteria



Olio lubrificante



Blocco



Sblocco



Indossare guanti di sicurezza



Non toccare la lama in movimento



Parti o accessori venduti separatamente

**⚠ WAARSCHUWING**

Dit apparaat is niet geschikt voor gebruik door personen (met inbegrip van kinderen) met verminderde fysieke, zintuigelijke of mentale vermogens of gebrek aan ervaring of kennis, tenzij zij onder toezicht staan door een persoon die verantwoordelijk is voor hun veiligheid of voldoende instructie ontvingen omtrent het gebruik van het apparaat. Kinderen dienen onder toezicht te staan om ervoor te zorgen dat ze niet met het apparaat spelen.

**ALGEMENE VEILIGHEIDSWAARSCHUWINGEN VOOR HET WERKTUIG****⚠ WAARSCHUWING**

**Lees alle veiligheidswaarschuwingen en instructies.** Wanneer niet de waarschuwingen en instructies niet opvolgt, kan dit leiden tot elektrische schok en/of ernstig letsel.

**Bewaar deze waarschuwingen en voorschriften zorgvuldig om ze ook later te kunnen inzien.**

De term "elektrisch gereedschap" in de waarschuwingen verwijst naar gereedschap dat met de stroomtoevoer is verbonden (met snoer) of accu-aangedreven (snoerloos) gereedschap.

**WERKOMGEVING**

- **Houd de werkplek schoon en goed verlicht.** Vervuilde of donkere plekken nodigen uit tot ongevallen.
- **Gebruik elektrische werktuigen niet in explosieve omgevingen, zoals in de aanwezigheid van ontvlambare vloeistoffen, gassen of stof.** Elektrisch gereedschap kan vonken veroorzaken die het stof of de gassen kunnen ontsteken.
- **Houd kinderen en omstanders weg terwijl u elektrisch gereedschap gebruikt.** Wanneer u wordt afgeleid, kunt u de controle verliezen.

**ELEKTRISCHE VEILIGHEID**

- **Stekkers van elektrisch gereedschap moeten overeenkomen met de contactdoos. Wijzig de stekker nooit. Gebruik geen adapters met geaarde elektrische werktuigen.** Niet-gewijzigde stekkers en overeenkomstige contactdozen zullen het risico op elektrische schok verminderen.
- **Vermijd lichaamscontact met een geaard oppervlak, zoals buizen, radiatoren, kookfornuizen en koelkasten.** Er bestaat een verhoogd risico voor elektrische schokken als uw lichaam is geaard.
- **Stel elektrische werktuigen niet bloot aan regen of natte omstandigheden.** Water dat een elektrisch werktuig binnendringt, verhoogt het risico op elektrische schokken.
- **Misbruik het snoer niet. Gebruik het snoer nooit om**

**het elektrisch werktuig te dragen, eraan te trekken of het uit de contactdoos te trekken. Houd het snoer weg van hitte, olie, scherpe randen of bewegende onderdelen.** Beschadigde of verstrikte snoeren verhogen het risico op elektrische schokken.

- **Gebruik een verlengsnoer geschikt voor buitenshuis gebruik wanneer u een elektrisch werktuig buitenshuis gebruikt.** Het gebruik van een snoer dat geschikt is voor buitenshuis gebruik, vermindert het risico op elektrische schokken.
- **Als het gebruik van een elektrisch werktuig op een vochtige plaats onvermijdelijk is, gebruikt u een contactdoos die beschermd is door een aardlekschakelaar.** Het gebruik van een aardlekschakelaar vermindert het risico op elektrische schokken.

**PERSOONLIJKE VEILIGHEID**

- **Blijf alert, kijk naar wat u doet en gebruik uw gezond verstand wanneer u elektrisch gereedschap gebruikt. Gebruik een elektrisch werktuig niet wanneer u moe of onder de invloed van drugs, alcohol of medicijnen bent.** Een ogenblik van onoplettendheid terwijl u elektrisch gereedschap gebruikt, kan leiden tot ernstige verwondingen.
- **Gebruik een persoonlijke beschermuitrusting. Draag altijd gehoorbescherming.** Beschermonderdelen, zoals een stofmasker, antislipschoeisel, helm of gehoorbescherming dat op een geschikte manier wordt gebruikt, zal het risico op verwondingen verlagen.
- **Ongewenst starten voorkomen. Zorg ervoor dat de schakelaar zich in de uit-stand bevindt voor u de machine met een stroombron en/of accupack verbindt, de machine opheft of draagt.** Wanneer u elektrisch gereedschap draagt met de vinger op de schakelaar of wanneer het gereedschap met de stroombron is verbonden, kan dit leiden tot ongevallen.
- **Verwijder alle afstelsleutels voor u het elektrisch werktuig inschakelt.** Een sleutel die op een draaiend onderdeel van het elektrisch gereedschap werd achtergelaten, kan leiden tot verwondingen.
- **Overrek u niet. Ga altijd stevig op uw benen staan en reik niet te ver weg met uw arm.** Dit maakt een betere controle van het werktuig in onverwachte omstandigheden mogelijk.
- **Draag geen wijde kleding, dassen of sieraden die klem kunnen raken en u naar de bewegende delen toe kunnen trekken. Draag geen losse kledij of juwelen. Houd uw haar, kledij en handschoenen weg van de bewegende onderdelen.** Losse kledij, juwelen of lang haar kan in bewegende onderdelen verstrikt raken.
- **Als er apparaten worden geleverd voor de verbinding met een stofextractie en verzamelfaciliteiten, zorgt u ervoor dat deze zijn verbonden en goed worden gebruikt.** Het gebruik van een stofverzamelaar vermindert stof-gerelateerde gevaren.



## GEbruIK VAN EN ZORG VOOR UW ELEKTRISCH GE-REEDSCHAP

- **Forceer het elektrisch werktuig niet. Gebruik het correcte werktuig voor uw toepassing.** Het juiste werktuig zal de taak beter en veiliger uitvoeren aan het tempo waarvoor het werd ontworpen.
- **Gebruik het elektrisch werktuig niet als de schakelaar het niet kan in- of uitschakelen.** Een elektrisch werktuig dat niet met behulp van de schakelaar kan worden bediend, is gevaarlijk en moet worden gerepareerd.
- **Trek de stekker uit de contactdoos en/of ontkoppel het accupack van het werktuig voor u de machine afstelt, accessoires vervangt of het werktuig opbergt.** Zulke preventieve veiligheidsmaatregelen kunnen het risico op ongewenst starten van de machine verminderen.
- **Bewaer ongebruikt elektrisch gereedschap buiten het bereik van kinderen en niet-opgeleide personen die het gereedschap of deze gebruiksaanwijzingen niet kennen.** Elektrisch gereedschap is gevaarlijk in de handen van niet-opgeleide gebruikers.
- **Onderhoud elektrisch gereedschap. Controleer op verkeerde aflijning of verstrikt raken van bewegende delen, defecten van onderdelen en alle andere situaties die de werking van het werktuig kunnen beïnvloeden. Indien beschadigd, laat u het elektrisch gereedschap repareren voor gebruik.** Veel ongevallen worden veroorzaakt door slecht onderhouden elektrische werktuigen.
- **Houd de zaagwerktuigen scherp en schoon.** Correct onderhouden zaagwerktuigen met scherpe randen zijn minder geneigd om verstrikt te raken en kunnen makkelijker worden bestuurd.
- **Gebruik het werktuig, de accessoires en werktuigonderdelen, etc. in overeenstemming met deze instructies en houd rekening met de bedrijfsomstandigheden en het uit te voeren werk.** Het gebruik van een elektrisch werktuig voor zaken die niet in het voorgeschreven gebruik zijn beschreven, kan leiden tot gevaarlijke situaties.

## GEbruIK EN ONDERHOUD VAN HET ACCUAANGE-DREVEN WERKTUIG

- **Herlaad enkel met de oplader die door de fabrikant is gespecificeerd.** Een oplader die voor een type accupack is geschikt kan een brandgevaar betekenen wanneer het met een ander accupack wordt gebruikt.
- **Gebruik elektrisch gereedschap uitsluitend met de specifiek toegewezen accupacks.** Het gebruik van andere accupacks kan leiden tot risico's op letsels en brand.
- **Wanneer het accupack niet wordt gebruikt, moet u het weg houden van andere metalen objecten, zoals papierclips, munten, sleutels, spijkers, schroeven of andere kleine metalen voorwerpen die een verbinding kan maken van een terminal naar een andere.** De batterijterminals kortsluiten kan leiden tot

brandwonden of brand.

- **In oneigenlijke omstandigheden, kan een vloeistof uit de accu lekken; vermijd contact hiermee.** Als er per ongeluk contact optreedt, spoelt u uit met veel water en zeep. Als er vloeistof in contact komt met de ogen, raadpleegt u onmiddellijk medische hulp. Vloeistof die uit de accu lekt, kan irritatie of brandwonden veroorzaken.

## ONDERHOUD

- **Laat uw elektrisch gereedschap onderhouden door een gekwalificeerd onderhoudspersoon en gebruik hierbij uitsluitend identieke vervangonderdelen.** Dit zal ervoor zorgen dat de veiligheid van het werktuig wordt behouden.

## SPECIFIEKE VEILIGHEIDSVoORSCHRIFTEN

- **Houd alle lichaamsdelen weg van het snijblad. Verwijder geen gesnoeid materiaal of houd geen materiaal dat moet worden gesnoeid vast wanneer de snijbladen bewegen.** Zorg ervoor dat de schakelaar is uitgeschakeld wanneer u geblokkeerd materiaal vrijmaakt. Een ogenblik van onoplettendheid terwijl u de heggeschaar gebruikt kan leiden tot ernstige verwondingen.
- **Houd de heggeschaar aan het handvat vast als het snijblad is stilgevallen. Wanneer u de heggeschaar transporteert of opbergt, dient u altijd de beschermhoes van de snijbladen te bevestigen.** Wanneer u de heggeschaar degelijk gebruikt, vermindert de kans op verwondingen door de snijbladen.
- **Houd het werktuig uitsluitend aan de geïsoleerde handvatten vast omdat de snijbladen in contact kunnen komen met verborgen kabels of het eigen stroomsnoer. Snijbladen die in contact komen met een kabel "onder spanning" kunnen ervoor zorgen dat blootgestelde metalen onderdelen van het werktuig ook "onder spanning" komen te staan, wat de gebruiker een elektrische schok kan geven.**

## VoORGESCHREVEN GEbruIK

- Dit product is ontworpen voor huishoudelijk gebruik. Het is bedoeld om heggen, struiken en gelijkaardige vegetatie te snoeien en trimmen.
- Het moet worden gebruikt in droge, goed verlichte omstandigheden.
- Het is NIET bedoeld om gras, bomen of takken te snijden. Het mag niet worden gebruikt voor enig ander doel dan het snoeien van heggen.

## BIJKOMENDE VEILIGHEIDSVoORSCHRIFTEN

### VoORBEREIDING

- **Maak de plek waar moet worden gesnoeid vrij voor elk gebruik.** Verwijder alle voorwerpen, zoals snoeren,



lampen, kabels of draden die in de snijbladen verstrikt kunnen raken.

- **Haal kinderen, omstanders en huisdieren weg.** Houd alle kinderen, omstanders en huisdieren op een afstand van tenminste 15m; er kan nog gevaar voor omstanders bestaan door weggeslingerde voorwerpen. Als iemand nabij komt, legt u het apparaat onmiddellijk stil.
- **Gebruik dit apparaat niet op plekken waar u niet goed kunt zien.** Zorg dat uw werkplek goed verlicht is (met daglicht of kunstlicht).
- **Controleer het apparaat voor gebruik.** Vervang alle beschadigde onderdelen. Controleer het accupack op lekken.
- **Zorg ervoor dat alle binders en beschermers stevig op hun plaats zijn gemonteerd.** Vervang alle snijbladen of andere onderdelen die gebarsten of beschadigd zijn. Zorg ervoor dat het snijblad goed is geïnstalleerd en stevig is vastgemaakt. Wanneer u dit niet doet, kan dit leiden tot verwondingen bij de gebruiker en omstanders en schade aan het apparaat.
- **Probeer nooit een onvolledige machine of een machine met een niet-geautoriseerde wijziging te gebruiken.** Als er onderdelen ontbreken, gebruikt u het apparaat niet tot de ontbrekende onderdelen zijn vervangen.

#### BEDIENING

- **Gebruik de trimmer niet zonder dat het voorste handvat is gemonteerd.** Houd beide handen op de handvatten wanneer het apparaat in gebruik is.
- **Voor u het apparaat start, zorgt u ervoor dat de snijbladen met niets in contact kunnen komen.**
- **Houd het apparaat vrij van snoeiafval en ander materiaal.** Deze kunnen vastraken in de snijbladen.
- Als de machine een vreemd voorwerp raakt of erin verstrikt raakt, stopt u het apparaat onmiddellijk, verwijdert u het accupack en controleert u de machine op schade. Gebruik het apparaat niet met losse of beschadigde onderdelen.
- **Wees u telkens van uw omgeving bewust en blijf alert voor mogelijke gevaren die u misschien niet hoort omwille van het machinelawaai.**
- Het trillingsniveau tijdens het actueel gebruik van het werktuig kan verschillen van de aangegeven totale waarde, afhankelijk van de manier waarop het werktuig wordt gebruikt. Neem veiligheidsmaatregelen om uzelf te beschermen op basis van een inschatting van de blootstelling in de huidige gebruiksomstandigheden, rekening houdend met alle onderdelen van de bedrijfscyclus, zoals de tijd dat het werktuig wordt uitgeschakeld en het stationair draait, bovenop de bedrijfstijd.
- Er zijn meldingen dat trillingen van handwerktuigen bij sommige mensen bijdragen tot het Syndroom van Raynaud. Symptomen kunnen ondermeer tintelingen, gevoelloosheid en bleek worden van de vingers omvatten, wat normaal gezien duidelijk wordt bij

blootstelling aan koude. Erfelijke factoren, blootstelling aan koude en vocht, dieet, roken en werkroutine kunnen allemaal bijdragen tot de ontwikkeling van deze symptomen. Het is op heden onbekend of en in hoeverre trillingen of de duur van de blootstelling tot deze aandoening kunnen bijdragen. Er kunnen door de bediener maatregelen worden genomen om de gevolgen van de trillingen te beperken:

- a. Houd bij koud weer uw lichaam warm. Draag handschoenen wanneer u de machine gebruikt om handen en polsen warm te houden. Men neemt aan dat koud weer een belangrijke factor is die bijdraagt tot het Syndroom van Raynaud.
- b. Doe oefeningen om de bloeddoorstroming te bevorderen na elke periode van gebruik.
- c. Neem regelmatig een pauze. Beperk het aantal uren dat u per dag wordt blootgesteld.

Wanneer u enige van de symptomen van deze aandoening ervaart, stop dan onmiddellijk met het gebruik van het toestel en raadpleeg uw dokter

#### ONDERHOUD

- **Gebruik voor het onderhoud alleen identieke vervangingsonderdelen.** Het gebruik van enige andere onderdelen kan gevaarlijk zijn of schade aan het toestel veroorzaken.
- **Vermijd het gebruik van oplosmiddelen wanneer u kunststof onderdelen schoonmaakt.** De meeste soorten plastic zijn gevoelig voor schade, veroorzaakt door verschillende soorten commerciële oplosmiddelen en kunnen door hun gebruik worden beschadigd. Gebruik schone doeken om vuil, stof, olie, vet, etc. te verwijderen.
- **Berg het apparaat op een droge plaats op, in een afgesloten of hoge ruimte om niet-geautoriseerd gebruik of schade te voorkomen.** Buiten het bereik van kinderen en niet-opgeleide mensen houden.

#### MILIEUBESCHERMING



Zorg dat grondstoffen gerecycleerd worden. Zet daarom een afgedankte elektrische machine niet bij het huishoudafval. Om het milieu te beschermen moeten de machine, de accessoires en de verpakking gesorteerd bij een erkend recyclingcentrum worden aangeleverd.

#### SYMBOOL



Voorzorgsmaatregelen die betrekking hebben met onze veiligheid.



Overeenstemming met technische reglementen



Lees de gebruiksaanwijzing en volg alle waarschuwingen en veiligheidsinstructies.



Draag gezichts- en gehoorbescherming



Weggeslingerde voorwerpen kunnen terugslaan en leiden tot verwondingen of materiële schade. Draag beschermkledij en -schoenen.



Draag zware, antislip handschoenen.



Houd alle omstanders op een afstand van tenminste 15m.



Stel niet bloot aan regen of vochtige omstandigheden.



Elektrisch afval mag niet samen met ander huishoudafval worden weggegooid. Gelieve te recycleren indien de mogelijkheid bestaat. Neem contact op met uw lokaal bestuur of handelaar om advies te krijgen over recyclage.



Ga naar pagina #



Informatie



Waarschuwing



Accu verbinden



Accu ontkoppelen



Smeerolie



Vergrendeling



Ontgrendelen



Draag beschermhandschoenen



Raak een bewegend snijblad niet aan



Onderdelen of accessoires afzonderlijk verkocht



#### ICONEN IN DEZE GEBRUIKSAANWIJZING



Veiligheid



Uitpakken



Starten



Overzicht



Bediening



Onderhoud



**⚠ ADVERTÊNCIA**

Este aparelho não foi feito para ser utilizado por pessoas (incluindo crianças) com reduzidas capacidades físicas, sensoriais ou mentais ou falta de experiência e conhecimento, a não ser que passem a ter supervisão ou instruções relativas à utilização do aparelho por uma pessoa responsável pela sua segurança. As crianças devem ser supervisionadas de modo a evitar que brinquem com o aparelho.

**AVISOS GERAIS DE SEGURANÇA DA FERRAMENTA ELÉCTRICA****⚠ ADVERTÊNCIA**

Leia todos os avisos de segurança e todas as instruções. O facto de não seguir os avisos e as instruções pode conduzir a choque eléctrico, fogo e/ou lesão grave.

ConsERVE estas advertências e instruções para que possa consultá-las mais tarde.

O termo "ferramenta eléctrica" nos avisos refere-se à ferramenta operada através de ligação à rede eléctrica (com fios) ou à ferramenta operada através de bateria (sem fios).

**AMBIENTE DE TRABALHO**

- Mantenha a área de trabalho limpa e bem iluminada. As áreas desordenadas ou escuras são um convite para acidentes.
- Não opere ferramentas eléctricas em atmosferas explosivas, tais como na presença de líquidos inflamáveis, gases ou poeira. As ferramentas eléctricas criam faíscas que podem causar a inflamação de poeiras ou vapores.
- Ao operar esta ferramenta eléctrica, mantenha as crianças e as pessoas presentes afastadas. Distracções podem fazer com que perca o controlo.

**SEGURANÇA ELÉCTRICA**

- As fichas eléctricas da ferramenta têm de corresponder à tomada. Nunca altere a ficha seja de que maneira for. Não use quaisquer fichas adaptadoras com ferramentas de ligação com terra. As fichas não modificadas e tomadas compatíveis reduzirão o risco de choque eléctrico.
- Evite o contacto do corpo com superfícies com ligação terra ou enterradas, tais como tubos, radiadores, fogões e frigoríficos. Há um aumento do risco de choque eléctrico se o seu corpo estiver ligado à terra.
- Não exponha as ferramentas eléctricas à chuva ou humidade elevada. A entrada de água na ferramenta eléctrica aumentará o risco de choque eléctrico.

- Não abuse do cabo de alimentação. Nunca use o cabo para carregar, puxar ou retirar a ficha da ferramenta da tomada. Mantenha o cabo afastado do calor, óleo, pontas afiadas ou peças móveis. Os cabos danificados ou emaranhados aumentam o risco de choque eléctrico.
- Ao operar uma ferramenta eléctrica ao ar livre, use um cabo de extensão apropriado para o uso ao ar livre. A utilização de um cabo apropriado para o uso ao ar livre reduz o risco de choque eléctrico.
- Se operar uma ferramenta eléctrica num local húmido é inevitável, use uma fonte com protecção de dispositivo de corrente residual (RCD). O uso de um RCD reduz o risco de choque eléctrico.

**SEGURANÇA PESSOAL**

- Ao operar esta ferramenta eléctrica, permaneça alerta, tenha em atenção ao que está a fazer e use o bom senso. Não utilize a ferramenta eléctrica quando se sentir cansado ou se se encontrar sob a influência de drogas, álcool ou medicamentos. Um momento de desatenção enquanto opera estas ferramentas eléctricas pode resultar em ferimentos graves.
- Utilizar equipamento de protecção. Use sempre protecção para os olhos. O equipamento de protecção tal como a máscara contra pó, calçado antiderrapante de segurança, capacete, ou protecção para os ouvidos, usado para condições apropriadas irá reduzir a probabilidade de ferimentos.
- Evite o arranque involuntário. Assegure-se de que o interruptor se encontra na posição de desligado antes de ligar à fonte de energia e/ou bateria, levantando ou transportando a ferramenta. Transportar ferramentas eléctricas com o seu dedo no interruptor ou ligar à corrente ferramentas eléctricas que têm o interruptor ligado são um convite a acidentes.
- Remova qualquer chave de ajuste antes de ligar a ferramenta eléctrica. Uma chave-inglesa ou uma chave colocada numa peça móvel da ferramenta eléctrica pode causar lesões pessoais.
- Não se aproxime em demasia. Fique sempre bem apoiado nas pernas e não estique demasiado o braço. Isto possibilita um melhor controlo da ferramenta eléctrica em situações inesperadas.
- Use roupas adequadas. Não use roupa larga ou acessórios de jóias. Mantenha o seu cabelo, roupa e luvas longe das peças móveis. A roupa larga, jóias ou cabelo comprido podem ficar presos nas peças móveis.
- Se são fornecidos os dispositivos para a ligação de espaços de extracção e recolha de pó, assegure-se de que estes se encontram conectados e usados correctamente. A utilização de um colector de pó pode reduzir os perigos relacionados com o pó.





## UTILIZAÇÃO E MANUTENÇÃO DA FERRAMENTA ELÉCTRICA

- **Não force a ferramenta eléctrica. Use a ferramenta eléctrica correcta para a sua aplicação.** A ferramenta fará o seu trabalho melhor e de forma mais segura trabalhando ao ritmo para que foi concebida.
- **Não use uma ferramenta caso o interruptor não ligue e desligue a ferramenta eléctrica correctamente.** Qualquer ferramenta eléctrica que não possa ser controlada com o interruptor é perigosa e deve ser reparada.
- **Desligue a ficha da alimentação eléctrica e/ou a bateria da ferramenta antes de proceder a quaisquer ajustes, substituição de acessórios ou de armazenar a ferramenta.** Estas medidas de segurança preventivas reduzem o risco de arranque accidental da ferramenta eléctrica.
- **Armazene as ferramentas eléctricas fora do alcance das crianças e não permita que pessoas não familiarizadas com a ferramenta eléctrica ou com estas instruções utilizem a ferramenta eléctrica.** As ferramentas eléctricas são perigosas nas mãos de utilizadores inexperientes.
- **Realize a manutenção das ferramentas eléctricas.** Verifique se existe desalinhamento ou emperramento das peças móveis, ruptura das peças e qualquer outra condição que possa ter afectado o funcionamento da ferramenta eléctrica. Se danificado, mande a ferramenta eléctrica ser reparada antes de a utilizar. Muitos acidentes são causados por ferramentas eléctricas com fracas manutenções.
- **Mantenha as ferramentas de corte afiadas e limpas.** É menos provável que as ferramentas de corte com uma correcta manutenção e com pontas de corte afiadas fiquem presas e são mais fáceis de controlar.
- **Utilize a ferramenta, acessórios, peças eléctricas, etc., de acordo com estas instruções, tendo em conta as condições de trabalho e o trabalho que se vai realizar.** O uso da ferramenta eléctrica para as operações diferentes daquelas a que se destina podem causar uma situação perigosa.

## UTILIZAÇÃO E MANUTENÇÃO DA BATERIA

- **Recarregue apenas com o carregador especificado pelo fabricante.** Um carregador que seja adequado para um tipo de bateria pode causar risco de incêndio, quando utilizado com outra bateria.
- **Use ferramentas eléctricas somente com baterias especificamente concebidas.** O uso de qualquer outro tipo de bateria pode causar risco de lesões e incêndio.
- **Quando a bateria não estiver a ser utilizada, mantenha-a afastada de outros objectos metálicos como cliques de papel, moedas, chaves, pregos, parafusos, ou outros pequenos objectos metálicos que podem fazer a ligação de um terminal para outro.** Ligar os terminais da bateria em conjunto pode

causar queimaduras ou um incêndio.

- **Sob circunstâncias abusivas, o líquido pode ser ejectado da bateria, evite o contacto.** Se o contacto ocorrer acidentalmente, limpe com água e sabão abundante. Se o líquido entrar em contacto com os olhos, procure adicionalmente assistência médica. O líquido ejectado da bateria pode causar irritação ou queimaduras.

## MANUTENÇÃO

- **A manutenção da sua ferramenta eléctrica deve ser efectuada por uma pessoa qualificada para reparações, utilizando apenas peças de substituição idênticas.** Isto assegurará que a segurança da ferramenta eléctrica é mantida.

## INSTRUÇÕES DE SEGURANÇA ESPECÍFICAS

- **Mantenha todas as partes do corpo afastadas da lâmina de corte. Não remova o material de corte ou segure o material a ser cortado quando as lâminas se encontram em movimento. Certifique-se que o interruptor está desligado ao libertar material encravado.** Um momento de distração enquanto opera o aparador de pontas pode causar graves lesões pessoais.
- **Transporte o aparador de pontas pela pega com a lâmina de corte parada. Ao transportar ou guardar o aparador de pontas, instale sempre a cobertura do dispositivo de corte.** O manuseamento adequado do aparador de pontas reduzirá as possíveis lesões pessoais causadas pelas lâminas de corte.
- **Segure a ferramenta eléctrica apenas pelas superfícies de agarre isoladas, visto que a lâmina de corte pode entrar em contacto com fios eléctricos escondidos ou com o seu próprio cabo.** As lâminas de corte que entrem em contacto com um cabo com corrente podem fazer com que as peças metálicas da ferramenta eléctrica conectada fiquem expostas, o que poderia provocar um choque eléctrico para o operador.

## USO PREVISTO

- Este produto é concebido para uso pessoal ou doméstico. É concebida para cortar e aparar pontas, arbustos e vegetação similar.
- Deve ser usada num local seco e bem iluminado.
- **NÃO** se destina a cortar relva, árvores ou ramos. Não deve ser usada para qualquer outro fim que não seja aparar pontas.

## NORMAS DE SEGURANÇA ADICIONAIS

### PREPARAÇÃO

- **Desimpeça a área a ser cortada antes de cada utilização.** Retire todos os objectos como cabos, luzes, fios eléctricos ou cordas que possam ficar presos na lâmina de corte.





- **Desimpeça a área de crianças, espectadores e animais de estimação.** No mínimo, mantenha todas as crianças, espectadores e animais de estimação fora de um raio de 15m; poderá ainda haver um risco para os espectadores por causa de objectos projectados. Caso seja abordado, pare a unidade de imediato.
- **Não utilize esta ferramenta numa zona com pouca luz.** Utilize a ferramenta somente num espaço de trabalho bem iluminado (luz do dia ou luz artificial).
- **Inspeccione a unidade antes de a usar.** Substitua as peças danificadas. Verifique se existem fugas na bateria.
- **Certifique-se que todos os fixadores e proteções estão no sítio e firmes.** Substitua as lâminas de corte ou quaisquer outras peças que estejam rachadas, lascadas ou danificadas. Certifique-se que a lâmina de corte está instalada correctamente e firmemente fixa. A inobservância desta indicação pode provocar lesões pessoais no operador e espectadores, bem como danificar a unidade.
- **Nunca tente usar uma máquina incompleta ou uma máquina equipada com uma modificação não autorizada.** Caso se encontre alguma em falta, não opere a unidade até que as peças em falta sejam substituídas.

#### UTILIZAÇÃO

- **Não utilize o aparador sem a pega frontal instalada.** Mantenha ambas as mãos nas pegas quando está a usar a unidade.
- **Antes de ligar a unidade, certifique-se que as lâminas de corte não entrarão em contacto com nada.**
- **Mantenha a unidade limpa de aparas e outros materiais.** Podem ficar presos nas lâminas de corte.
- Caso a máquina embata ou fique bloqueada com objectos estranhos, imobilize a unidade de imediato, remova a bateria e verifique se existem danos. Não opere a unidade com peças desapertadas ou danificadas.
- **Tenha sempre em atenção aquilo que o rodeia e fique alerta para possíveis perigos que poderá não ouvir devido ao ruído da máquina.**
- O nível de vibração durante a utilização propriamente dita da ferramenta eléctrica pode diferir do valor total declarado dependendo das formas como a ferramenta é utilizada. Identifique as medidas de segurança para se proteger com base numa estimativa de exposição nas actuais condições de uso, tendo em conta todas as peças do ciclo de funcionamento, como as vezes que a ferramenta é desligada e quando está a trabalhar em ralenti para além do tempo de gatilho.
- Foi reportado que as vibrações das ferramentas de mão podem contribuir para uma doença designada de Síndrome de Raynaud em determinados indivíduos. Os sintomas podem incluir formigamento, entorpecimento e empalidecimento dos dedos, habitualmente visível aquando da exposição ao frio. Estima-se que os

factores hereditários, exposição ao frio e humidade, dieta, tabagismo e práticas de trabalho contribuem todos para o desenvolvimento destes sintomas. Actualmente não se sabe até que ponto qualquer vibração ou grau de exposição (se os houver) podem contribuir para a condição. Existem medidas que podem ser tomadas pelo operador para possivelmente reduzir os efeitos da vibração:

- Mantenha o seu corpo quente durante o tempo frio. Ao operar a unidade, use luvas para manter as mãos e os pulsos quentes. Encontra-se reportado que o tempo frio é um grande factor que contribui para o Síndrome de Raynaud.
- Após cada período de operação, exercite para aumentar a circulação sanguínea.
- Faça pausas frequentes no trabalho. Limite o tempo de exposição por dia.

Caso sinta algum dos sintomas desta doença, interrompa de imediato a sua utilização e consulte o seu médico sobre estes sintomas.

#### MANUTENÇÃO

- **Ao realizar serviços de manutenção, use apenas peças de substituição idênticas.** O uso de quaisquer outras peças pode criar perigo ou causar danos ao aparelho.
- **Evite usar solventes ao limpar as peças de plástico.** A maioria dos plásticos é susceptível de sofrer danos de vários tipos de solventes comerciais e podem ser danificados pelo seu uso. Use panos limpos para remover a sujidade, a poeira, o óleo, a gordura, etc.
- **Guarde a unidade num local seco, quer seja trancado ou num local alto para evitar o uso não autorizado ou danos.** Mantenha-se fora do alcance de crianças ou pessoas não qualificadas.

#### PROTECÇÃO DO AMBIENTE



Recicle os materiais em vez de pô-los directamente no lixo doméstico. Para proteger o ambiente, a ferramenta, os acessórios e as embalagens devem ser seleccionados.

#### SÍMBOLO



Precauções para a sua segurança.



Conformidade com as normas técnicas



Leia o manual de utilização e siga todos os avisos e instruções de segurança.



Protecção para os olhos e ouvidos



Os objectos projectados podem fazer ricochete e causar lesões pessoais ou danos materiais. Use calçado e vestuário de protecção.



Use luvas de trabalho resistentes, antideslizantes.



Mantenha todos os espectadores a pelo menos 15m de distância.



Não o exponha à chuva ou a condições de humidade.



Os aparelhos eléctricos antigos não devem ser eliminados juntamente com o lixo doméstico. Recicle onde existem instalações para o efeito. Verifique com as suas Autoridades Locais ou revendedor para obter informações sobre reciclagem.



Aviso



Conecte a bateria



Desconecte a bateria



Óleo lubrificante



Bloqueio



Abrir



Use luvas de segurança



Não toque na lâmina em movimento



As peças ou acessórios vendem-se separadamente

ÍCONES NESTE MANUAL



Segurança



Desembalagem



Como começar



Vista geral



Utilização



Manutenção



Ir para a página #



Informações

**⚠ ADVARSEL**

Dette produkt er ikke beregnet til at blive brugt af personer (herunder børn) med nedsatte fysiske, sensoriske eller mentale evner, eller med manglende erfaring og viden, med mindre disse personer er blevet vejledt eller instrueret i brugen af produktet af en person, der er ansvarlig for disse personers sikkerhed. Børn bør holdes under opsyn, så man er sikker på, at de ikke leger med produktet.

**GENERELLE SIKKERHEDSADVARSLER FOR EL-VÆRKTØJ****⚠ ADVARSEL**

Alle sikkerhedsadvarsler og alle anvisninger skal læses. Manglende overholdelse af advarslerne og anvisningerne kan medføre elektrisk stød, brand og/eller alvorlige personskader.

Gem vejledningen med advarsler og anvisninger til senere opslag.

Med udtrykket "elværktøj" i advarslerne henvises til dit lysnet-drevne (via ledning) elværktøj eller batteridrevne (ledningsfri) elværktøj.

**ARBEJDSOMGIVELSER**

- **Hold arbejdsområdet rent og godt oplyst.** Rodede eller mørke områder inviterer til ulykker.
- **Brug ikke elværktøjer i eksplosive omgivelser som fx i nærheden af brandbar væske, gas eller støv.** Elværktøjer udløser gnister, som kan antænde støvet eller dampene.
- **Der må ikke være børn og tilskuere i nærheden, når et elværktøj anvendes.** Distractioner kan medføre, at du mister kontrollen.

**ELEKTRISK SIKKERHED**

- **Elværktøjets elstik skal passe til elnetkontakten.** Elstikket må aldrig modificeres på nogen som helst måde. Undlad brug af adapterstik til jordede (stelforbundne) elværktøjer. Umodificerede elstik og passende elnetkontakter reducerer faren for elektrisk stød.
- **Undgå kropskontakt med jordede eller stelforbundne overflader som fx rør, radiatorer, komfurer og køleskabe.** Der er forøget risiko for elektrisk stød, hvis din krop er forbundet med jord eller stel.
- **Undlad at udsætte elværktøjer for regn eller fugt.** Hvis der trænger vand ind i et elværktøj, øges faren for elektrisk stød.
- **Undlad at misbruge ledningen.** Ledningen må aldrig bruges til at bære eller trække i elværktøjet eller til at trække stikket ud. Ledningen må ikke komme

i nærheden af varme, olie, skarpe kanter eller bevægelige dele. Beskadede eller sammenfiltrede ledninger øger faren for elektrisk stød.

- **Når et elværktøj anvendes i det fri, skal der bruges en forlængerledning, der er egnet til udendørs brug.** Brug af ledninger beregnet til udendørs brug reducerer faren for elektrisk stød.
- **Hvis man er nødt til at bruge et elværktøj i fugtige omgivelser, skal strømforsyningen have en fejlstrømsafbryder (RCD-afbryder).** Brug af fejlstrømsikring reducerer faren for elektrisk stød.

**PERSONLIG SIKKERHED**

- **Når man bruger et elværktøj, skal man være agtpågivende, iagttagende hvad man gør og bruge sund fornuft. Undlad at bruge et elværktøj, hvis du er trætt eller påvirket af narkotika, alkohol eller medicamenter.** Et øjeblikvis uopmærksomhed under brug af motoriserede værktøjer kan medføre alvorlige personskader.
- **Brug personlige værnemidler. Brug altid øjenværn.** Værnemidler som fx støvmaske, skridfast sikkerhedsfodtøj, hjelm eller høreværn anvendt korrekt i forhold til de givne forhold reducerer faren for personskader.
- **Forebyg utilsigtet start. Kontrollér, at kontakten er slukket (=slukket), inden værktøjet sluttes til strømkilde og/eller batteri, samles op eller bæres.** At bære elværktøjer med fingeren på kontakten eller at slutte strøm til elværktøjer med tændt kontakt er at invitere til ulykker.
- **Fjern evt. skruenøgler, inden der tændes for elværktøjet.** En efterladt skruenøgle fastgjort til en roterende del af elværktøjet kan medføre personskader.
- **Overstræk ikke. Sørg for altid at have godt fodfæste og god balance.** Dette giver bedre kontrol over elværktøjet i uventede situationer.
- **Vær ordentligt klædt på. Bær ikke løftsiddende tøj eller smykker. Sørg for, at hår, tøj og handsker ikke kommer i nærheden af bevægelige dele.** Løstsiddende tøj, smykker eller langt hår kan hænge fast i bevægelige dele.
- **Hvis der findes anordninger for tilslutning af støvudsugnings- og -opsamlingsudstyr, skal disse tilsluttes og anvendes korrekt.** Brug af støvopsamling kan reducere støvrelaterede faremomenter.

**BRUG OG PLEJE AF ELVÆRKTØJ**

- **Undlad at tvinge elværktøjet. Brug elværktøjet til det tiltænkte anvendelsesformål.** Det korrekte elværktøj klarer opgaven bedre og sikrer med den hastighed, det er designet til.
- **Elværktøjet må ikke tages i brug, hvis TÆND/SLUK-kontakten ikke virker.** Et elværktøj, der ikke kan kontrolleres med TÆND/SLUK-kontakten, er farligt og skal repareres.
- **Inden udførelse af justeringer, udskiftning af**



tilhører eller opbevaring af elværktøjer skal elstikket trækkes ud af elnetkontakten, og/eller batteriet skal tages ud af elværktøjet. Disse forebyggende sikkerhedsforanstaltninger reducerer faren for utilsigtet start af elværktøjet.

- Når elværktøjer ikke bruges, skal de opbevares utilgængeligt for børn; personer, som ikke er fortrolige med elværktøjet eller denne brugsanvisning, må ikke anvende elværktøjet. Elværktøjer er farlige i hænderne på ukyndige brugere.
- Elværktøjer skal vedligeholdes. Kontrollér, om der er forkert indjusterede eller forbundne bevægelige dele, afbrækkede dele samt andre tilstande, som kan påvirke elværktøjets funktionsmåde. Hvis der konstateres skader, skal elværktøjet repareres inden brug. Mange ulykker skyldes dårligt vedligeholdte elværktøjer.
- Skærende værktøjer skal holdes skarpe og rene. Korrekt vedligeholdte skærende værktøjer med skarpe skær er mindre tilbøjelige til at binde/blokere og er lettere at kontrollere.
- Brug elværktøjet, tilbehøret og værktøjs-bits osv. som foreskrevet i denne brugsanvisning, og tag højde for arbejdsforholdene og den aktuelle arbejdsopgave. Brug af elværktøjet i strid med de tiltænkte anvendelsesformål kan medføre farlige situationer.

#### BRUG OG PLEJE AF BATTERIVÆRKTØJ

- Opladning må kun finde sted med den af producenten foreskrevne oplader. En oplader, der er beregnet til én type batteri, kan udgøre en brandrisiko, hvis den bruges til en anden batteritype.
- Brug kun elværktøjer sammen med specifikt godkendte batterier. Brug af andre batterityper kan medføre fare for personskade og brand.
- Når batteriet ikke bruges, må det ikke opbevares sammen med metalgenstande som fx papirclips, mønter, nøgler, søm, skruer eller andre metalgenstande, som kan skabe forbindelse mellem batteriets poler. Hvis batteriets poler kortsluttes, kan det forårsage forbrændinger eller ildebrand.
- Hvis batteriet misbruges, kan der sprøjte væske ud af det; undgå kontakt med batterivæsken. Ved utilsigtet kontakt skylles med rigeligt vand og sæbe. Hvis der kommer væske i øjnene, kontaktes læge straks. Udsprøjtet batterivæske kan forårsage irritation eller forbrændinger.

#### VEDLIGEHOLDELSE

- Sørg for, at elværktøjet serviceres af en kvalificeret reparatør, som kun benytter sig af originale reservedele. Herved garanteres sikkerheden for elproduktet.

#### SPECIFIKKE SIKKERHEDSREGLER

- Hold alle legemsdele på afstand af kniven. Forsøg ikke at fjerne afklippet materiale eller holde om materiale, der skal klippes, mens knivene er i bevægelse. Kontrollér, at kontakten er slukket, når du fjerner fastsiddende materiale. Et øjeblikvis uopmærksomhed under brug af hækkeklipperen kan medføre alvorlige personskader.
- Bær hækkeklipperen i håndtaget, mens kniven er standset. Når hækkeklipperen transporteres eller opbevares, skal man altid påsætte skeden. Korrekt håndtering af hækkeklipperen nedsætter faren for personskader i forbindelse med knivene.
- Elværktøjet må kun holdes i de isolerede gribeblader, da kniven kan komme i kontakt med skjulte ledninger eller sin egen elledning. Klinger, som kommer i kontakt med en strømførende ledning, kan gøre udsatte metaldele på elværktøjet strømførende og kan give operatøren elektrisk stød.

#### TILTÆNKT ANVENDELSESFORMÅL

- Dette produkt er beregnet til privat eller hjemlig brug. Det er beregnet til at klippe og trimme hække, buske og lignende vegetation.
- Bør anvendes under tørre, godt oplyste forhold.
- Det er IKKE beregnet til klipping af græs, træer eller grene. Det bør ikke bruges til andre formål end hækkeklipping.

#### EKSTRA SIKKERHEDSREGLER

#### FORBEREDELSE

- Ryd altid det område, der skal klippes, inden brug. Fjern alle objekter som fx ledninger, lamper, kabler eller snore, som kan blive viklet ind i kniven.
- Ryd området for børn, tilskuere og dyr. Børn, tilskuere og dyr skal holdes på min. 15 m afstand; tilskuere risikerer dog stadig at blive ramt af udslyngede genstande. Hvis nogen henvender sig til dig, skal du straks standse produktet.
- Må ikke anvendes under dårlige lysforhold. Brug produktet i dagslys eller god kunstig belysning.
- Husk at inspicere produktet inden brug. Udskift evt. beskadigede dele. Kontrollér for batteririlækager.
- Kontrollér, at alle fastspændingselementer og skærme er ordentligt monteret. Udskift knive eller andre dele, som er revnede, krakelerede eller ødelagte. Kontrollér, at kniven er monteret korrekt og ordentligt fastgjort. Gør man ikke det, er der fare for personskader for både operatør og tilskuere foruden skader på produktet.
- Forsøg aldrig at bruge en ukomplet maskine eller en maskine, hvorpå der er foretaget ikke-godkendte ændringer. Hvis der mangler dele, må dette produkt ikke anvendes, før de manglende dele er blevet



erstattet.

**VEKSELSTRØM**

- **Undlad at bruge hækkeklipperen uden påmonteret forhåndtag.** Hold begge hænder på håndtagene, når produktet anvendes.
- **Inden man starter produktet, skal man sikre sig, at klippeknavene ikke kommer i kontakt med noget.**
- **Skal holdes ren for hække-afklip og andre materialer.** De kan sætte sig fast i knivene.
- Hvis maskinen strejker eller bliver viklet ind i fremmedlegemer, skal man straks stoppe den, tage batteriet ud og kontrollere for skader. Brug ikke produktet med løse eller beskadigede dele.
- **Vær altid opmærksom på omgivelserne, og vær årvågen over for mulige faremomenter, som du måske ikke kan høre pga. støjen fra maskinen.**
- Vibrationsniveauet ved praktisk brug af elværktøjet kan variere fra den erklærede totalværdi, alt efter hvordan værktøjet anvendes. Træf passende sikkerhedsforanstaltninger for at beskytte dig selv ud fra den skønnede eksponering for risici under de aktuelle anvendelsesforhold, hvor du - ud over den effektive arbejdstid - også tager højde for de varierende perioder, som fx når værktøjet er slukket, og når det kører i tomgang.
- Der er rapporteret om, at vibrationer fra håndholdte værktøjer kan være medvirkende til en lidelse kaldet Raynauds syndrom hos visse personer. Symptomerne herpå kan være prikken, følelsesløshed og blegning af fingrene, der normalt viser sig ved kuldepåvirkning. Faktorer som arvelighed, udsættelse for kulde og fugt, kost, rygning og arbejdsvaner menes alle at medvirke til udviklingen af disse symptomer. Det er i skrivende stund ukendt, hvilken grad - om nogen - af vibrationer eller af påvirkninger, der kan medvirke til denne lidelse. Der findes forholdsregler, som operatøren kan træffe for at begrænse påvirkningen fra vibrationer:
  - a. Hold kroppen varm i koldt vejr. Brug handsker, så hænder og vrister holdes varme under arbejdet. Der er rapporteret om, at koldt vejr er en væsentlig faktor til Raynauds syndrom.
  - b. Motionér efter hver arbejdsperiode for at øge blodcirkulationen.
  - c. Hold hyppige arbejdspauser. Begræns eksponeringen for vibrationer pr. dag.
 Hvis du mærker nogen af symptomerne på denne tilstand, skal du straks ophøre med arbejdet og søge læge.

**VEDLIGEHOLDELSE**

- **Skal dele udskiftes må kun identiske reservedele anvendes.** Anvendelse af andre dele kan føre til fare eller beskadigelse af produktet.
- **Undgå brug af opløsningsmidler til rengøring af plastdele.** De fleste typer plastic kan tage skade ved brug af forskellige opløsningsmidler. Snavs, støv, olie, fedt,

mv., fjernes med rene klude.

- **Opbevar produktet tørt, enten låst inde eller højt oppe for at forhindre uautoriseret brug eller skader.** Opbevares utilgængeligt for børn og uskoledede personer.

**MILJØBESKYTTELSE**



Råmaterialerne skal genvindes og ikke bortkastes med almindeligt affald. Af hensyn til miljøet skal redskab, tilbehør og emballage sorteres.

**SYMBOL**



Forholdsregler af hensyn til din sikkerhed.



Overensstemmelse med tekniske forskrifter



Læs brugsanvisningen, og iagttag alle advarsler og sikkerhedsanvisninger.



Bær øjen- og høreværn



Udslyngede objekter kan rikolettere og medføre person- eller tingsskader. Bær beskyttelsestøj og støvler.



Brug friktionsfri, kraftige handsker.



Alle tilskuere skal være mindst 15m værk.



Produktet må ikke udsættes for regn eller bruges på fugtige steder.



Elektriske affaldsprodukter bør ikke afskaffes sammen med husholdningsaffald. Genbrug venligst hvor faciliteterne tillader dette. Tjek med din lokale kommune eller forhandler for genbrugsråd.

**IKONER I DENNE BRUGSANVISNING**



Sikkerhed



Udpakning



Sådan kommer du i gang.



Undlad at røre ved kniven, mens den kører



Oversigt



Dele eller tilbehør, der sælges separat



Vekselstrøm



Vedligeholdelse



Gå til side #



Information



Sikkerheds Varsel



Tilslut batteri



Kobl batteri fra



Smøreolie



Lås



Oplås



Brug sikkerhedshandsker

**⚠ VARNING**

Apparaten är inte avsedd att användas av personer (inklusive barn) med reducerad fysisk, själslig eller mental kapacitet, eller som saknar erfarenhet och kunskap, om de inte får övervakning eller instruktioner beträffande användningen av apparaten av någon som ansvarar för deras säkerhet. Barn ska övervakas så att de inte leker med enheten.

**ALLMÄNNA SÄKERHETSFORESKRIFTER FÖR ELVERKTYG****⚠ VARNING**

Läs alla säkerhetsvarningar och alla instruktioner. Om du inte följer varningarna och anvisningarna kan du orsaka elektrisk stöt, brand och allvarlig skada.

Spara dessa varningar och instruktioner för senare behov.

Termen "kraftverktyg" i varningarna hänvisar till ditt eldrivna (med sladd) verktyg eller ditt batteridrivna (utan sladd) verktyg.

**ARBETSMILJÖ**

- **Håll arbetsområdet rent och välupplyst.** Oordnade och mörka områden inbjuder till olyckor.
- **Använd inte kraftverktyg i explosiva atmosfärer, exempelvis i närheten av brännbara vätskor, gaser eller damm.** Kraftverktyg ger upphov till gnistor vilka kan antända damm eller ångor.
- **Håll barn och åskådare borta när du använder ett kraftverktyg.** Distractioner kan få dig att tappa kontrollen.

**ELEKTRISK SÄKERHET**

- **Kraftverktygets kontakt måste matcha uttaget. Modifiera inte kontakten på något sätt. Använd inga adapterkontakter med jordade kraftverktyg.** Omodifierade kontakter och matchande uttag minskar risken för elektrisk stöt.
- **Undvik kroppskontakt med jordade ytor, som exempelvis rör, element, spis och kylskåp.** Det föreligger en förhöjd risk för elektrisk stöt om din kropp är jordad.
- **Utsätt inte kraftverktyg för vatten eller blöta omgivningar.** Vatten som tränger in i ett kraftverktyg ökar risken för elektrisk stöt.
- **Misshandla inte sladden.** Använd aldrig sladden för att bära, dra eller koppla bort kraftverktyget. Håll sladden borta från värme, olja, vassa kanter och rörliga delar. Skadade eller intrasslade elsladdar ökar risken för elektrisk stöt.
- **Använd en förlängningssladd avsedd för utomhusbruk när du använder kraftverktyget**

utomhus. Användning av en sladd lämplig för utomhusbruk minskar risken för elektrisk stöt.

- **Använd en jordfelsbrytare om det är oundvikligt att använda ett kraftverktyg i en fuktig miljö.** Användningen av en jordfelsbrytare minskar risken för elektrisk stöt.

**PERSONLIG SÄKERHET**

- **Var uppmärksam på vad du gör och använd sunt förnuft när du använder ett kraftverktyg. Använd inte ett kraftverktyg när du är trött eller påverkad av droger, alkohol eller mediciner.** Ett ögonblicks ouppmärksamhet när du använder kraftverktyg kan orsaka allvarlig personskada.
- **Använd skyddsutrustning. Bär alltid ögonskydd.** Skyddsutrustning, som exempelvis andningsskydd, halkskyddade säkerhetsskor, huvudskydd och hörselskydd minskar i tillämpliga fall risken för personsador.
- **Förhindra oavsiktlig start. Säkerställ att strömbrytaren är i av-läge innan du ansluter till uttaget och/eller batteripacket, innan du lyfter upp verktyget och innan du bär det.** Att bära kraftverktyg med fingret på avtryckaren eller kraftverktyg som är igång bjuder in olyckor.
- **Ta bort eventuella justerings- eller skiftnycklar innan du startar kraftverktyget.** En skiftnyckel eller justeringsnyckel som lämnas kvar i en roterande del av kraftverktyget kan orsaka personskada.
- **Sträck dig inte. Ha alltid ett bra fotfäste och en god balans.** Det ger dig bättre kontroll över kraftverktyget i oväntade situationer.
- **Klä dig korrekt. Använd inte löst åtsittande kläder eller smycken. Håll ditt hår, dina kläder och handskar borta från rörliga delar.** Lösslittande kläder, smycken och långt hår kan fastna i rörliga delar.
- **Om några uppsamlingsenheter för damm och avfall medföljer ska dessa vara ansluta och användas på ett korrekt sätt.** Användningen av en dammuppsamlare kan minska dammrelaterade faror.

**ANVÄND OCH TA HAND OM KRAFTVERKTYGET**

- **Pressa inte kraftverktyget. Använd rätt kraftverktyg för ditt jobb.** Rätt kraftverktyg gör jobbet bättre och säkrare om det används i den takt som det är designat för.
- **Använd inte kraftverktyget om strömbrytaren inte fungerar för att stänga av och sätta på verktyget.** Alla kraftverktyg som inte kan kontrolleras med strömbrytaren är farliga och måste repareras.
- **Koppla bort kontakten från uttaget och/eller ta bort batteripacket från kraftverktyget innan du utför några justeringar, byter ut tillbehör eller förvarar kraftverktyget.** Sådana förebyggande åtgärder minskar risken för att kraftverktyget startar oavsiktligt.
- **Förvara avstängda kraftverktyg utom räckhåll för barn och låt inte personer som är obekanta med**





kraftverktyg, eller dessa instruktioner, använda kraftverktyget. Kraftverktyg är farliga i händerna på otränade användare.

- **Underhåll dina kraftverktyg. Kontrollera så att inga rörliga delar är felinriktade eller sitter fast, att inga delar har gått sönder samt att ingenting annat föreligger som kan påverka kraftverktygets användning. Reparera kraftverktyget innan användning om det är skadat.** Många olyckor uppstår på grund av dåligt underhållna kraftverktyg.
- **Håll skärverktyg vassa och rena.** Korrekt underhållna skärverktyg med vassa skärkanter fastnar inte lika lätt och är lättare att kontrollera.
- **Använd kraftverktyget, tillbehören och borrspetsar etc. i enlighet med dessa anvisningar och ta hänsyn till arbetsförhållanden och det jobb som ska utföras.** Användning av kraftverktyget till andra saker än det är avsett för kan resultera i en farlig situation.

#### ANVÄNDNING OCH UNDERHÅLL AV BATTERIET

- **Använd endast den batteriladdare som tillverkaren rekommenderar.** En batteriladdare som passar en typ av batteripack kan vara en brandfara om den används med en annan typ av batteripack.
- **Använd eldrivna verktyg med batteripaket som är speciellt utformade för användning tillsammans med produkterna.** Om du använder andra batteripaket ökar du risken för skador och brand.
- **När batteripaketet inte används ska det hållas bort från metallföremål som gem, mynt, nycklar, spikar, skruvar och andra små metallföremål som kan kortsluta batteriets kontakter.** Vid kortslutning av batteriets kontakter finns det risk för brännskador eller brand.
- **Vätska kan läcka ut från batteripaketet vid felaktig användning; undvik kontakt med vätskan.** Om kontakt uppstår, skölj med rikligt med tvål och vatten. Om vätska kommer i kontakt med ögonen ska medicinsk hjälp omedelbart uppsökas. Den kan orsaka irritation och brännskador.

#### UNDERHÅLL

- **Låt en kvalificerad serviceperson serva ditt kraftverktyg med identiska utbytesdelar.** Detta säkerställer att kraftverktygets säkerhet bibehålls.

#### SÄRSKILDA SÄKERHETSANVISNINGAR

- **Se till att alla delar av kroppen hålls på avstånd från skärklingan.** Ta inte bort avskuret material och håll inte i material som ska skäras då klingan är i rörelse. Se till att strömbrytaren är avslagen då intrasslat material tas bort. Ett ögonblick av bristande uppmärksamhet vid användning av häcksaxen kan innebära risk för allvarig personskada.
- **Bär häcksaxen i handtaget när skärklingan är helt stoppad. Vid transport och förvaring av häcksaxen ska alltid skyddet träs på skärklingan.** Korrekt

hantering av häcksaxen kommer att minska risken för personskada från skärklingan.

- **Håll enbart i elverktygets isolerade handtag** eftersom skärklingan kan komma i kontakt med "aktiva" ledningar eller sin egen kabel. Om klingan kommer i kontakt med "aktiv" ledning kan metalldelar exponeras och ge användaren en elektrisk stöt.

#### ANVÄNDNINGSSOMRÅDE

- **Produkten är avsedd för hemmabruk.** Det är avsett för att skära och trimma häckar, buskar och liknande växtlighet.
- **Det ska användas under torra, väl belysta förhållanden.**
- **Det är INTE avsett för att klippa gräs, kapa träd eller skära grenar.** Det ska inte användas för något annat än att klippa eller trimma häckar.

#### YTTERLIGARE SÄKERHETSFÖRESKRIFTER

#### FÖRBEREDELSE

- **Rensa området som ska klippas innan användningen.** Ta bort alla föremål som kablar, lampor, rep eller trådar som kan trasslas in i skärklingan.
- **Rensa området på barn, åskådare och husdjur.** Minimikravet är att alla barn, åskådare och husdjur befinner sig på minst 15 meters avstånd, men det kan ändå finnas risker med föremål som kastas omkring. Om någon närmar sig ska du stänga av enheten omedelbart.
- **Använd endast i god belysning.** Använd endast enheten i dagsljus eller med ordentlig arbetsbelysning.
- **Se över enheten före användning.** Byt ut alla skadade delar. Kontrollera läckor från batteriet.
- **Se till att alla fästen och skydd sitter ordentligt på plats.** Byt ut skärklingan eller andra delar som har spruckit, gått sönder eller skadats. Se till att skärklingan är korrekt installerad och ordentligt fäst. Om så sker kan det leda till personskada på användaren eller åskådare och även skada enheten.
- **Använd aldrig en icke komplett maskin eller någon som har icke godkända ändringar.** Om någon saknas ska inte verktyget användas innan de saknade delarna har ersatts.

#### ANVÄNDNING

- **Använd inte trimmern utan att det främre handtaget sitter på plats.** Håll alltid båda händerna på handtaget när maskinen används.
- **Innan enheten startas ska du se till att skärklingan inte är i kontakt med något.**
- **Håll enheten ren från häckrester och andra material.** De kan fastna i skärklingan.
- **Om maskinen hackar eller trasslas in i främmande föremål ska enheten omedelbart stoppas, batteriet tas bort och kontrollera sedan eventuella skador.** Använd





inte enheten om det finns lösa eller skadade delar.

- **Var uppmärksam på omgivningen och var beredd på plötsliga faror som inte hörs på grund av ljudet från maskinen.**
- Vibrationsnivåerna under den faktiska användningen av detta eldrivna verktyg kan skilja sig något från de angivna värdena; användningen påverkar vibrationsnivåerna. Vidtag säkerhetsåtgärder för ditt personliga skydd utifrån den exponering som sker under användningen, ta hänsyn till all användning som då verktyget är avstängt och när det går på tomgång förutom den faktiska brukstiden.
- Det finns rapporter om att vibrationer från handhållna verktyg kan bidra till ett tillstånd som kallas Raynauds syndrom för vissa personer. Symptomen brukar vara att det sticker i fingrarna och att de domnar bort; fingrarna kan också bli vita, särskilt vid kyla. Årftliga faktorer, kyla och fukt, diet, rökning och arbetsrutiner tros alla bidra till att orsaka dessa symptom. Det är för tillfället okänt om vibrationer, eller långvarig exponering för vibrationer, överhuvudtaget bidrar till symptomen eller sjukdomen. Det finns förebyggande åtgärder som du kan vidta för att försöka minska vibrationernas påverkan:
  - a. Håll dig varm när du arbetar i kallt väder. Använd handskar för att hålla kvar värmen i händer och handleder. Kyla har rapporterats som en viktig del i utvecklandet av Raynauds syndrom.
  - b. Träna och rör på dig efter varje användningstillfälle för att öka blodcirkulationen.
  - c. Ta ofta pauser från arbetet. Begränsa tiden du utsätter dig varje dag.

Upphör omedelbart om du upplever några av dessa symptom och uppsök din läkare.

#### UNDERHÅLL

- **Använd endast identiska utbytesdelar när produkten servas.** Användning av andra delar kan skapa en fara eller orsaka produktskada.
- **Undvik att använda lösningsmedel vid rengöring av plastdelar.** De flesta plasterna är mottagliga för skador från olika varianter av kommersiella lösningsmedel och kan skadas om sådana används. Använd en ren och torr trasa för att avlägsna smuts, damm, olja, fett, osv.
- **Förvara enheten på en torr plats, antingen inlåst eller högt placerad för att förhindra otillåten användning och skaderisk.** Håll utom räckhåll för barn och icke tränade personer.

#### MILJÖSKYDD



Råmaterialen bör återanvändas i stället för att kastas i hushållsavfallet. För att skona miljön ska verktyget, tillbehören och emballagen sorteras.

#### SYMBOL



Förebyggande åtgärder som berör din säkerhet.



Överensstämmelse med de tekniska reglerarna



Läs bruksanvisningen och ta hänsyn till alla varningar och säkerhetsanvisningar.



Bär ögon- och hörselskydd



Föremål som kastas iväg kan studsas och leda till personskada eller skada på egendom. Använd skyddskläder och -stövlar.



Används halkfria, grova skyddshandskar.



Håll alla närvarande på minst 15 meters avstånd.



Utsätt inte verktyget för regn och använd det inte i fuktiga områden.



Gamla elektroniska produkter ska inte kastas med hushållsoporna. Återvinn där sådana faciliteter finns. Kontrollera med din lokala myndighet eller säljaren för att få återvinningstips.

#### BILDER I DENNA BRUKSANVISNING



Säkerhet



Uppackning



Igångsättning



Översikt



Användning



Underhåll



Gå till sidan #



Information



Säkerhetsvarning



Anslut batteriet



Koppla från batteriet



Smörjolja



Lås



Lås upp



Använd skyddshandskar



Rör aldrig klinga som är i rörelse



Delar och utrustning säljs separat

**VAROITUS**

Tätä laitetta ei ole tarkoitettu ihmisille (sekä lapsille), joiden ruumiin, aistien tai mielen suorituskyky on heikentynyt tai joilla puuttuu kokemusta ja yleistietämystä, ellei heidän turvallisuudestaan vastuussa oleva valvo tai neuvo heitä laitteen käytössä. Lapsia on pidettävä silmällä, jotta he eivät pääse leikkimään lisälaitteilla.

**SÄHKÖTYÖKALUJEN YLEISIÄ TURVALLISUUSVAROITUKSIA****VAROITUS**

Lue kaikki turvallisuusvaroitukset ja ohjeet. Varoitusten ja ohjeiden laiminlyönnistä voi seurata sähköisku, tulipalo ja/tai vakava loukkaantuminen.

Säilytä nämä varoitukset ja ohjeet myöhempää tarvetta varten.

Sana "sähkötyökalu" viittaa varoituksissa verkkovirta- (langalliseen) tai akkukäyttöiseen (langattomaan) sähkötyökaluun.

**TYÖYMPÄRISTÖ**

- Pidä työalue siistinä ja valoisana. Epäjärjestyksessä olevat ja pimeät alueet myötävaikuttavat onnettomuuksiin.
- Älä käytä sähkötyökalua räjähdysalttiissa paikoissa, kuten helposti syttyvien nesteiden tai kaasujen tai pölyn läheisyydessä. Sähkötyökalut kipinöivät, mikä saattaa sytyttää pölyn tai höyryt.
- Pidä lapset ja sivulliset loitolla, kun käytät sähkötyökaluja. Häiriöt voivat saada koneen riistäytymään hallinnasta.

**SÄHKÖTURVALLISUUS**

- Pistokkeen on sovittava pistorasiaan. Älä koskaan muunna pistoketta millään tavalla. Älä käytä maadoitettujen sähkötyökalujen kanssa minkäänlaisia sovitinpistokkeita. Alkuperäiset pistokkeet ja niitä vastaavat pistorasiat pienentävät sähköiskun vaaraa.
- Älä kosketa maadoitettuihin pintoihin, kuten putkiin, lämpöpattereihin, helloihin tai jääkaappeihin. Jos ruumiisi on maadoitettu, sähköiskun vaara on suurempi.
- Älä altista sähkötyökalua sateelle tai kosteudelle. Sähkötyökaluun joutunut vesi kasvattaa sähköiskun vaaraa.
- Pidä huolta sähköjohdosta. Älä koskaan kannata vedä sähkötyökalua johdosta tai irrota pistoketta johdosta vetämällä. Pidä johto etäällä kuumista paikoista, öljystä, terävistä kulumista ja liikkuvista osista. Vioittunut tai takkuinen johto lisää sähköiskun vaaraa.
- Kun käytät sähkötyökalua ulkotiloissa, käytä

ulkokäyttöön sopivaa jatkojohtoa. Ulkokäyttöön sopivan johdon käyttö pienentää sähköiskun vaaraa.

- Jos sähkötyökalua on pakko käyttää kosteissa tiloissa, käytä jäännösvirtalaitteella (RCD) suojattua pistorasiaa. RCD:n käyttö pienentää sähköiskun vaaraa.

**KÄYTTÄJÄN TURVALLISUUS**

- Ole valpas, katso mitä teet ja käytä maalaisjärkeä, kun käytät sähkötyökalua. Älä käytä sähkötyökalua väsyneenä tai huumeiden, alkoholin tai lääkkeiden vaikutuksen alaisena. Tarkkaamattomuus sähkötyökalua käytettäessä saattaa johtaa vakavaan loukkaantumiseen.
- Käytä henkilökohtaisia suojavarusteita. Käytä aina suojalaseja. Suojalaitteet, kuten pölynaamari, luistamattomat suojakengät, kypärä ja kuulosuojaimet vähentävät loukkaantumisen vaaraa.
- Älä anna koneen käynnistyä vahingossa. Varmista, että katkaisin on poissa päältä, ennen kuin kytket koneen virtalähteeseen ja/tai akkuun ja ennen kuin nostat tai kannat konetta. Sähkötyökalun kantaminen sormi katkaisimella ja virran kytkeminen koneeseen, joka on päällä, saattaa johtaa onnettomuuksiin.
- Irrota säätöavaimet ja jakoavaimet ennen sähkötyökalun käynnistystä. Sähkötyökalun pyöriivään osaan jätetty jako- tai säätöavain saattaa johtaa loukkaantumiseen.
- Älä kurkotta liian pitkälle. Pysyttelevä jaloillasi äläkä kurkotta käsivartta liian kauas. Tällöin sähkötyökalua on helpompi hallita odottamattomissa tilanteissa.
- Älä pukeudu väliin vaatteisiin, kravattiin tai koruihin, jotka voivat juuttua liikkuviin osiin. Älä käytä välijä vaatteita tai koruja. Pidä hiukset, vaatteet ja käsineet etäällä liikkuvista osista. Löysät vaatteet, korut ja pitkät hiukset saattavat tarttua liikkuviin osiin.
- Jos laitetta varten on pölynpoisto- ja keräyslaite, kytket se asianmukaisesti ja käytä sitä oikein. Pölyn kerääminen voi vähentää pölyn liittyviä vaaroja.

**SÄHKÖTYÖKALUN KÄYTTÖ JA HUOLTO**

- Älä pakota sähkötyökalua. Käytä työhön sopivaa sähkötyökalua. Asianmukainen sähkötyökalu hoitaa työt paremmin ja turvallisemmin sillä vauhdilla, jota varten se on suunniteltu.
- Älä käytä sähkötyökalua, jos se ei käynnisty ja sammu katkaisimesta. Jos sähkötyökalua ei voida hallita katkaisimella, se on vaarallinen ja vaatii korjaamista.
- Irrota pistoke virranlähteestä ja/tai akku työkoneesta, ennen kuin teet säätöjä, vaihdat varusteita tai varastoit koneen. Tällaiset varoitimet pienentävät sitä vaaraa, että kone käynnistyy vahingossa.
- Varasto sähkötyökalu pois lasten ulottuvilta äläkä



anna kenenkään, joka ei tunne työkonetta tai näitä ohjeita, käyttää sitä. Sähkötyökalut ovat vaarallisia kouluttamattomien käyttäjien käsissä.

- **Huolla sähkötyökalut. Tarkista, että liikkuvat osat on kohdistettu oikein ja että ne liikkuvat kunnolla, että osia ei ole rikkoutunut ja että mikään muu seikka ei haittaa sähkötyökalun toimintaa. Jos sähkötyökalu vioittuu, korjaa se ennen käyttöä.** Onnettomuudet johtuvat usein sähkötyökalujen huonosta huollosta.
- **Pidä leikkuutyökalut terävinä ja puhtaina.** Asianmukaisesti huolletut leikkuutyökalut, joiden leikkuupinnat ovat teräviä, eivät jumiudu helposti ja niitä on helppo hallita.
- **Käytä työkonetta, lisävarusteita, teriä jne. näiden ohjeiden mukaisesti, ja huomioi työolosuhteet ja tehtävän työn laatu.** Työkoneen käyttö muuhun kuin sille tarkoitettuun työhön voi aiheuttaa vaarallisia tilanteita.

#### AKKUKÄYTTÖISEN TYÖKALUN KÄYTTÖ JA HOITO

- **Käytä lataukseen ainoastaan valmistajan suosittelemaa laturia.** Yhden tyyppiselle akulle sopivan laturin käyttö toisenlaisen akun kanssa voi olla vaarallista.
- **Käytä sähkötyökalua ainoastaan sitä varten suunniteltujen akkujen kanssa.** Muiden akkujen käyttö voi johtaa loukkaantumiseen ja tulipaloon.
- **Kun akkua ei käytetä, pidä se erillään metalliesineistä, kuten paperiliittimistä, kolikoista, avaimista, nautoista, ruuveista ja muista pienistä metalliesineistä, jotka voivat yhdistää akun navat.** Akun napojen oikosulkeminen voi aiheuttaa palovammoja ja tulipalon.
- **Jos akkua käsitellään väärin, siitä voi vuotaa nestettä; älä kosketa sitä.** Jos kosketat sitä vahingossa, huuhtele se runsaalla saippualla ja vedellä. Jos nestettä pääsee silmiin, hakeudu välittömästi lääkärin hoitoon. Akusta vuotanut neste voi ärsyttää ihoa ja aiheuttaa palovammoja.

#### HUOLTO

- **Huollata työkone pätevällä huoltomiehellä, joka käyttää ainoastaan asianmukaisia varaosia.** Tämä varmistaa, että sähkötyökalu on turvallinen.

#### ERITYISET TURVALLISUUSMÄÄRÄYKSET

- **Älä kosketa leikkuuterää millään ruumiinosalla.** Älä poista leikkuumateriaalia tai pitele sitä terien liikkeessä. Varmista, että kytkin on poissa päältä jumittunutta materiaalia poistettaessa. Tarkkaamattomuus pensasleikkuria käytettäessä saattaa johtaa vakavaan loukkaantumiseen.
- **Kannapensasleikkurikahvastateräpysähdyksissä.** Kun kuljetat pensasleikkuria tai varastoit sen, käytä aina leikkurinsuojusta. Pensasleikkurin asianmukainen käsittelyminen ehkäisee leikkuuterän aiheuttamaa loukkaantumisenvaaraa.

- **Pitele sähkötyökalua ainoastaan eristetyistä kosketuspinnosta, sillä leikkuuterä saattaa osua kätettyihin johtoihin tai omaan johtoonsa.** Jos leikkuuterä osuu sähköistettyyn johtoon, sähkötyökalun paljaat metalliosat sähköistyvät ja voivat aiheuttaa käyttäjälle sähköiskun.

#### KÄYTTÖTARKOITUS

- Tämä tuote on tarkoitettu kotikäyttöön. Se on tarkoitettu pensasaitojen, pensaikkojen ja vastaavien kasvien leikkaamiseen ja trimmaukseen.
- **Setä tulee käyttää kuivassa, hyvin valaistussa ympäristössä.**
- **Sillä EI saa leikata ruohoa, puita eikä oksia.** Sitä ei saa käyttää muuhun tarkoitukseen kuin pensaiden trimmaukseen.

#### MUITA TURVALLISUUSMÄÄRÄYKSIÄ

##### VALMISTELUT

- **Siivoa työalue ennen jokaista käyttöä.** Poista kaikki sellaiset esineet, kuten johdot, valot ja langat, jotka voivat tarttua terään.
- **Poista lapset, sivulliset ja lemmikit alueelta.** Pidä ainakin kaikki lapset, sivulliset ja lemmikit 15 metrin etäisyydellä; sinkoutuvien kappaleiden on mahdollista osua sivullisiin. Jos sinua lähestytään, sammuta laite heti.
- **Älä käytä tätä työkalua huonosti valaistussa paikassa.** Pidä työskentelyalue hyvin valaistuna (päivänvalo tai sähkövalaistus).
- **Tarkista laite ennen käyttöä.** Vaihda kaikki vioittuneet osat. Tarkista, onko akussa vuotoja.
- **Varmista, että kaikki kiinnikkeet ja suojukset ovat paikoillaan ja tiukasti kiinni.** Vaihda leikkuuterät ja muut osat, jos ne ovat halkeilleet, lohkeilleet tai vioittuneet millään tavoin. Tarkista, että terä on asennettu asianmukaisesti ja tukevasti. Muutoin käyttäjä tai sivulliset voivat loukkaantua ja laite vioittua.
- **Älä koskaan yritä käyttää puutteellista laitetta tai laitetta, johon on tehty luvattomia muunnoksia.** Jos jokin osa puuttuu, älä käytä laitetta ennen kuin osa on vaihdettu.

##### KÄYTTÖ

- **Älä käytä trimmeriä, jos sen etukahva ei ole paikoillaan.** Pidä molemmat kädet kahvoilla laitetta käytettäessä.
- **Varmista ennen yksikön käynnistämistä, että leikkuuterät eivät pääse koskettamaan mitään.**
- **Pidä laite puhtaana pensaskappaleista ja muista materiaaleista.** Ne saattavat tarttua leikkua teriin.
- **Jos kone iskeytyy tai tarttuu vierasesineeseen, pysäytä yksikkö välittömästi, irrota akku ja tarkista, onko laite vioittunut.** Älä käytä lämmitintä, jos siinä on löysiä tai



voittuneita osia.

- **Ole aina tietoinen ympäristöstäsi ja varo vaaroja, joita et ehkä kuule koneen aiheuttaman metelin takia.**
- Sähkötyökalun todellisen käytön aikainen tärinä saattaa poiketa ilmoitetusta kokonaisarvosta, laitteen käyttötavasta riippuen. Määritä käyttäjän suoja-keinot, jotka perustuvat todellisten käyttöolosuhteiden tärinävaikutusarvioon, ottaen huomioon kaikki käyttöjakson osat, kuten ajan, jonka laite on sammuksissa ja käy tyhjäkäynnillä, varsinaisen sahausajan lisäksi.
- Raporttien mukaan käsikäyttöisten laitteiden tärinä voi joidenkin kohdalla myötävaikuttaa Raynaud's Syndromen (Raynaudin oireen) ilmenemiseen. Oireita ovat pistely, turtuus ja sormien kalpeneminen, yleensä kylmässä ilmassa. Perinnölliset tekijät, kylmyys ja kosteus, ruokavalio, tupakointi sekä työtavat voivat kaikki myötävaikuttaa näiden oireiden ilmenemiseen. Tällä hetkellä ei tiedetä, millainen tärinä tai sille altistuminen vaikuttaa tähän sairauteen, tai onko tärinä ylipäättään sen aiheuttaja. Käyttäjä voi ehkäistä tärinän aiheuttamia vaikutuksia seuraavasti:
  - a. Pidä itsesi lämpimänä kylmällä säällä. Käytä laitteen käytön aikana käsineitä, jotta kätesi ja ranteesi pysyvät lämpöisinä. Raporttien mukaan kylmä ilma on tärkeä tekijä Raynaud's Syndromen (Raunaudin oireiden) ilmenemisessä.
  - b. Harjoita kunkin käyttöjakson jälkeen liikuntaa, jotta verenkierto lisääntyisi.
  - c. Pidä työn aikana säännöllisesti taukoja. Rajoita päivittäisen tärinän määrä.

Jos mitään yllä mainittuja oireita ilmenee, lopeta heti laitteen käyttö ja kerro oireista lääkäriille.

## HUOLTO

- **Käytä vaihdossa yksinomaan alkuperäisiä varaosia.** Muunlaisten varaosien käyttö voi osoittautua vaaralliseksi ja vaurioittaa tuotetta.
- **Älä puhdistu muoviosia liuottimilla.** Suurin osa muoveista ei siedä markkinoilla olevia määrättyjä liuotteita, jotka vahingoittavat niitä. Poista lika, pöly, öljy, rasva tms. puhtailla rievuilla.
- **Varastoi laite kuivaan paikkaan, joko lukkojen taakse tai niin korkealle, että se on turvassa luvattomalta käytöltä ja vahingoilta.** Pidä poissa lasten ja kouluttamattomien henkilöiden ulottuvilta.

## YMPÄRISTÖNSUOJELU



Älä heitä raaka-aineita kotitalousjätteisiin, vaan vie ne kierrätykseen. Ympäristönsuojelun kannalta työkalu, lisäksi r usteet ja pakkausmateriaali on lajiteltava.

## SYMBOLI



Käyttäjän turvallisuutta koskeva varoitus.



Teknisten sää'dosten noudattaminen



Lue käyttöopas ja noudata kaikkia varoituksia ja turvallisuusohjeita.



Käytä suojalaseja ja kuulosuojaimia



Sinkoutuneet esineet voivat kimmota ja aiheuttaa vammaa tai vaurion. Käytä suojavaatteita ja saappaita.



Käytä luisuttomia raskaan käytön käsiineitä.



Pidä kaikki sivulliset vähintään 15m:n päässä.



Älä altista konetta sateelle tai kosteudelle.



Käytöstä poistettavia sähkölaitteita ei pidä hävittää talousjätteiden mukana. Ne on mahdollisuuksien mukaan pantava kiertoon. Kierrätysohjeita antavat kunnan viranomaiset ja vähittäiskauppiat.

## TÄMÄN KÄSIKIRJAN KUVAKKEET



Turvallisuus



Pakkauksen purkaminen



Aloittaminen



Yleiskatsaus



Käyttö



Huolto



Siirry sivulle #



Tietoja



Varoitus



Liitä akku



Irrota akku



Voiteluöljy



Lukko



Avaa



Käytä suojakäsineitä



Älä koske liikkuvaan terään



Osat ja lisävarusteet on hankittava erikseen

**⚠ ADVARSEL**

Dette utstyret er ikke ment for bruk av personer (inklusive barn) med redusert fysiske, sensoriske eller mentale evner eller mangel på erfaring og kunnskap, dersom de ikke får tilsyn eller er gitt instruksjon om bruken av en person som er ansvarlig for deres sikkerhet. Barn må passes på for å sikre at de ikke leker med utstyret.

**GENERELLE SIKKERHETSREGLER FOR ELEKTRISK VERKTØY****⚠ ADVARSEL**

Les alle sikkerhetsadvarslene og alle instruksjonene. Å unnlate å følge advarslene og instruksjonene kan føre til elektrisk støt, brann og alvorlig personskade.

Ta vare på disse advarslene og instruksjonene for å se i dem senere.

Begrepet "elektrisk verktøy" i advarslene gjelder ditt elektriske verktøy koblet til strømmettet (med ledning) eller batteridrevet (uten ledning) elektrisk verktøy.

**ARBEIDSSOMGIVELSER**

- Hold arbeidsområdet rent, ryddig og godt opplyst. Uryddige og dårlig opplyste områder fører lett til ulykker.
- Ikke bruk elektrisk verktøy i eksplosive atmosfærer, som der det finnes brennbare væsker, gasser eller støv. Elektrisk verktøy skaper gnister som kan antenne støv eller gasser.
- Hold barn og andre på avstand når et elektrisk verktøy brukes. Distraksjon kan føre til tap av kontroll.

**ELEKTRISK SIKKERHET**

- Støpslet på det elektriske verktøyet må stemme med stikkkontakten. Foreta aldri noen form for endringer av støpslet. Ikke bruk noen form for adapterstøpsel til jordet elektrisk verktøy. Umodifiserte støpsler og passende stikkontakter vil redusere risikoen for elektrisk støt.
- Unngå kroppskontakt med jodede overflater, som vannrør, radiatorer, kokeapparater og kjøleaggregater. Det er økt risiko for elektrisk støt dersom kroppen din har kontakt med jord.
- Ikke utsett elektrisk verktøy for regn eller høy fuktighet. Vann som trenger inn i et elektrisk verktøy vil øke faren for elektrisk støt.
- Ikke misbruk den elektriske ledningen. Bruk aldri ledningen til å bære det elektriske verktøyet eller trekke støpslet ut av stikkkontakten. Hold ledningen vekk fra varme, olje, skarpe kanter eller bevegelige deler. Skadet eller sammenfloknet ledning øker risikoen for elektrisk støt.
- Når du bruker det elektriske verktøyet utendørs, bruk en skjøteledning som er tilpasset utendørs

bruk. Bruk av ledning som er tilpasset utendørs bruk reduserer risikoen for elektrisk støt.

- Dersom bruk av elektrisk verktøy i fuktige omgivelser ikke er til å unngå, bruk en strømkrets med sikring som er tilpasset verktøyet. Bruk av strømkrets med sikring reduserer risikoen for elektrisk støt.

**PERSONLIG SIKKERHET**

- Vær våken, se på hva du gjør og bruk fornuft når du arbeider med et elektrisk verktøy. Ikke bruk elektrisk verktøy når du er sliten eller under påvirkning av narkotiske stoffer, alkohol eller medisiner som kan påvirke din reaksjonsevne og/eller dømmekraft. Et øyeblikks uoppmerksomhet når elektrisk verktøy brukes kan føre til alvorlige personskade.
- Bruk personlig verneutstyr. Bruk alltid øyebeskyttelse. Verneutstyr som støvmaske, sklisikre vernesko, hjelm eller hørselsvern brukt i passende sammenhenger vil redusere risikoen for personskade.
- Unngå utilsikket start. Sørg for at bryteren er i posisjon OFF før utstyret kobles til strømmettet og/eller batteripakken, plukkes opp eller bæres. Å bære det elektriske verktøyet med fingeren på startknappen eller koble strøm til et elektrisk verktøy med bryteren i ON inviterer til ulykker.
- Fjern justeringsnøkler og annet verktøy før du setter strøm på det elektriske verktøyet. En fastnøkkel eller annet verktøy festet til en roterende del av et elektrisk verktøy når det startes kan føre til personskade.
- Ikke len deg for langt. Sørg for godt fotfeste og god balanse til enhver tid. Dette gir bedre kontroll over det elektriske verktøyet i en uventet situasjon.
- Kle deg riktig. Ikke bruk løstsittende plagg og/eller løsthengende smykker. Hold hår, klær og hanser vekk fra bevegelige deler. Løse plagg, smykker og langt hår kan fanges opp av bevegelige deler.
- Hvis det finnes tilkoblingsmuligheter for oppsagnings- og oppsamlingsutstyr for støv, sørg for at dette blir tilkoblet og brukt på riktig måte. Bruk av støvoppsamler kan redusere støvrelatert faresituasjoner.

**BRUK OG BEHANDLING AV ELEKTRISK VERKTØY**

- Ikke press det elektriske verktøyet. Bruk korrekt elektrisk verktøy for jobben som skal gjøres. Riktig elektrisk verktøy vil gjøre jobben bedre og tryggere når det brukes slik det var tiltenkt.
- Ikke bruk verktøyet hvis bryteren ikke slår verktøyet av og på. Ethvert elektrisk verktøy som ikke kan kontrolleres med bryteren er farlig og må repareres før det kan brukes.
- Trekk støpslet ut av den elektriske kontakten og/eller batteripakken fra det elektriske verktøyet før du foretar endringer, skifter tilbehør eller lagrer det elektriske verktøyet. Slike forebyggende sikkerhetstiltak reduserer risikoen for utilsikket start av det elektriske verktøyet.





- **Oppbevar elektrisk verktøy som ikke brukes utenfor barns rekkevidde og la ikke personer som ikke er kjent med det elektriske verktøyet eller dets instruksjoner bruke det.** Elektrisk verktøy er farlig i hendene på uerfarne brukere.
- **Vedlikehold av elektrisk verktøy. Kontroller for feilinnretning og at bevegelige deler løper fritt, at det ikke finnes ødelagte deler og enhver annen tilstand som kan påvirke det elektriske verktøyet drift. Hvis skadet må det elektriske verktøyet repareres før bruk.** Mange ulykker skyldes dårlig vedlikeholdt elektrisk verktøy.
- **Hold skjæreredskap skarpe og rene.** Korrekt vedlikeholdt skjæreverktøy med skarpe skjærekanter har mindre mulighet for å blokkere seg og er lettere å kontrollere.
- **Bruk det elektriske verktøyet, tilbehøret, verktøybits etc i henhold til disse instruksjonene, der du tar hensyn til arbeidsforholdene og det arbeidet som skal utføres.** Bruk av elektrisk verktøy på en måte det ikke var tiltenkt kan skape farlige situasjoner.
- **Bær hekksaksen i håndtaket med skjærebladene stanset. Når du transporterer eller lagrer hekksaksen, husk alltid å sette sliren over knivene.** Korrekt håndtering av hekksaksen vil redusere faren for å bli skadet av knivene.
- **Hold verktøyet i de isolerte gripeflatene idet knivene kan komme i kontakt med skjulte strømførende ledninger eller maskinens egen elektriske ledning. Dersom skjærebladene får kontakt med en strømførende ledning kan verktøyet metalldele også bli strømførende og gi brukeren elektrisk støt.**

#### TILTENKT BRUK

- Dette produktet er konstruert for hjemmebruk. Dette produktet er ment for klipping og trimming av hekker, busker og lignende vegetasjon.
- Det må brukes under tørre og godt opplyste forhold.
- Det er IKKE ment for klipping av gress, kapping av grener eller felling av trær. Det må ikke brukes for andre formål enn klipping/trimming av hekker/ktratt.

#### YTTERLIGERE SIKKERHETSREGLER

##### KLARGJØRING

#### BATTERIPRODUKTER - BRUK OG STELL

- **Lad bare med ladere som er spesifisert av produsenten.** En lader som passer til en type batteripakke kan skape risiko for brann dersom den brukes til en annen type batteripakke.
- **Bruk batteriprodukter kun med spesielt tiltenkte batteripakker.** Bruk av andre batteripakker kan føre til risiko for skade og brann.
- **Når batteripakken ikke er i bruk, hold den vekke fra metallgjenstander som binders, mynter, nøkler, spiker, skruer og annet som kan forbinde de to terminalene med hverandre.** Kortslutning av batteriterminalene kan føre til brenning eller brann.
- **Dersom batteriet misbrukes kan det slippe ut væske, unngå hudkontakt med væsken.** Dersom det oppstår utilsiktet hudkontakt, skyll med store mengder vann. Dersom væsken får kontakt med øynene må medisinsk assistanse oppsøkes. Væske som kommer ut av batteriet kan føre til irritasjon eller brannskår.

#### VEDLIKEHOLD

- **Sørg for at reparasjoner og vedlikehold av ditt elektriske verktøy utføres av kvalifiserte teknikere som kun bruker originale erstatningsdeler.** Dette vil sørge for at sikkerheten med det elektriske verktøyet ivaretas.

#### SPESIFIKKE SIKKERHETSREGLER

- **Hold alle deler av kroppen vekke fra skjærebladet. Ikke fjern avkappet materiale eller hold ting som skal klippes mens knivene beveger seg. Påse at bryteren er i posisjon AV når knivene skal renses for materialer som har blokkert seg.** Et øyeblikks oppmerksomhet mens hekksaksen brukes kan føre til alvorlige personskader.

- **Rydd området som skal klippes før arbeidet påbegynnes.** Fjern alle objekter som ledninger, lamper, ståltråd eller tau som kan vikle seg inn i knivene.

- **Rydd om området for barn, tilskuere og dyr.** Hold barn, tilskuere og dyr på minimum 15 meters avstand, det kan likevel være fare for at noen kan treffes av ting som kastes ut av hekksaksen. Hvis noen nærmer seg, slå øyeblikkelig av maskinen.

- **Ikke bruk i dårlig lys.** Bruk enheten bare i dagslys eller i godt kunstig lys.

- **Inspiser enheten før bruk.** Skift ut alle ødelagte deler. Sjekk for lekkasjer fra batteripakken.

- **Påse at alle festnere og beskyttelsesutstyr er på plass og forsvarlig festet.** Erstatt kniver eller andre deler som er sprukket eller skadet på annen måte. Påse at knivene er korrekt installert og forskriftsmessig festet. Å unnlate å gjøre dette kan føre til både alvorlig personskade på brukeren og tilskuere og skade på enheten.

- **Gjør aldri forsøk på å bruke en ufullstendig maskin eller en som er uautorisert modifisert.** Enheten må ikke brukes dersom noe mangler før de manglende delene er kommet på plass.

#### BETJENING

- **Ikke bruk hekksaksen dersom det fremre håndtaket ikke er montert.** Hold begge hender på håndtakene når enheten brukes.

- **Før du starter enheten må du passe på at skjærebladene ikke kan få kontakt med noe.**

- **Hold enheten ren for avklippede hekkgrener og**



**annet materiale.** De kan kile seg inn i knivene.

- Hvis maskinen treffer en hindring eller vikles inn i fremmedlegemer må den øyeblikkelig slås av, batteripakken fjernes og enheten inspiseres for eventuelle skader. Ikke bruk enheten med løse eller skadede deler.
- **Hver alltid klar over hva som skjer rundt deg, og vær årvåken overfor mulige farer som det kan være at du ikke hører på grunn av støyen fra maskinen.**
- Vibrasjonsnivået ved faktisk bruk av et elektrisk verktøy kan skille seg fra oppgitte verdier avhengig av måten verktøyet brukes på. Identifiser sikkeringstiltak som beskytter deg selv, basert på et anslag for eksponering i den faktiske brukssituasjonen der man tar hensyn til alle brukssyklusene, som tidspunktet da maskinen ble slått av og når den går på tomgang i tillegg til tiden når verktøyet arbeider.
- Det foreligger rapporter om at vibrasjoner fra håndholdt verktøy for enkelte personer kan bidra til en tilstand som kalles Raynauds Syndrome. Symptomene kan omfatte følelsesløshet og gjøre fingrene bleke, vanligvis synlig ved eksponering til lave temperaturer. Arvelige faktorer, eksponering mot lave temperaturer og fuktighet, diett, røyking og arbeidspraksis blir alle ansett for å kunne bidra til å utvikle disse symptomene. Det er i øyeblikket ikke kjent om vibrasjoner eller graden av eksponering kan bidra til denne tilstanden. Brukeren kan iverksette tiltak for mulig å redusere virkningene av vibrasjonene:
  - a. Hold kroppen din varm i kaldt vær. Bruk hansker og hold hender og vrister varme ved bruk av gressklipperen. Det er rapportert at kaldt vær er en viktig faktor som bidrar til Raynauds Syndrome.
  - b. Etter hver arbeidsperiode bør det utføres øvelser for å øke blodsirkulasjonen.
  - c. Ta ofte pauser fra arbeidet som utføres. Begrens mengden av eksponering pr. dag.

Hvis du opplever noen av symptomene på denne tilstanden må du øyeblikkelig avbryte arbeidet og oppsøke en lege med disse symptomene.

#### VEDLIKEHOLD

- **Når service utføres skal kun identiske reservedeler brukes.** Bruk av deler som ikke er originale kan føre til personskaade eller feil på produktet.
- **Unngå bruk av løsemidler når du rengjør plastdelene.** De fleste plastikkstoffene vil bli skadet dersom forskjellige tilgjengelige løsemiddel brukes på gressklipperen. Bruk rene kluter til å fjerne skitt, støv, olje og fett, etc.
- **Oppbevar enheten på et tørt sted, enten låst inn eller så høyt at den er beskyttet mot uautorisert bruk eller skade.** Hold vekke fra barn og uerfarne personer.

#### MILJØVERN



Resirkuler råmaterialer istedenfor å kaste dem i søppelen. Verktøyet, tilbehørene og emballasjen bør sorteres for miljøvennlig resirkulering.

#### SYMBOL



Forholdsregler som gjelder din sikkerhet.



Samsvarer med tekniske forskrifter



Les brukermanualen og følg alle advarsler og sikkerhetsinstruksjoner.



Bruk vernebriller og hørselvern



Objekter som kastes ut kan rikosjettere og resultere i skade på person eller eiendom. Bruk beskyttelsesklær og støvler.



Bruk kraftige, sklisikre hansker.



Hold andre mennesker på minst 15 meters avstand.



Ikke utsett verktøyet for regn eller bruk på steder med høy fuktighet.



Avfall fra elektriske produkter skal ikke kastes sammen med husholdningsavfall. Vennligst resikuler vedeksisterende avfallsbehandlingssted. Undersøk hos dine lokale myndigheter eller forhandler for råd om resirkulering.

#### IKON I DENNE MANUALEN



Sikkerhet



Oppakking



Komme i gang



Oversikt



Deler eller tilbehør solgt separat



Betjening



Vedlikehold



Gå til side #



Informasjon



Sikkerhetsalarm



Tilkoble batteriet



Frakoble batteriet



Smøreolje



Lås



Låse opp



Bruk sikkerhetshansker



Ikke berør blader som er i bevegelse



### ⚠ ОСТОРОЖНО

Данное устройство не предназначено для использования лицами (включая детей) с ограниченными физическими или умственными способностями или недостаточным опытом и знаниями, если они не находятся под наблюдением или не прошли инструктаж по использованию данного устройства у лица, ответственного за их безопасность. Дети должны контролироваться, чтобы гарантировать, что они не играют с прибором.

### ОБЩИЕ УКАЗАНИЯ ПО ТЕХНИКЕ БЕЗОПАСНОСТИ ПРИ РАБОТЕ С ЭЛЕКТРОИНСТРУМЕНТОМ

### ⚠ ОСТОРОЖНО

Прочтите все предупреждения и инструкции по технике безопасности. Несоблюдение приводимых ниже предупреждений и инструкций может привести к поражению электрическим током, возгоранию или тяжким телесным повреждениям.

Сохраните все предупреждения и инструкции по технике безопасности для последующего использования.

Термин "электроинструмент" в данном описании относится к инструментам с питанием от сети (проводные) и от аккумуляторных батарей (беспроводные).

### БЕЗОПАСНОСТЬ НА РАБОЧЕМ МЕСТЕ

- Рабочая зона должна быть свободна и хорошо освещена. Загромождение или плохое освещение рабочей зоны может привести к несчастным случаям.
- Не используйте электроинструмент во взрывоопасной среде, например в присутствии легковоспламеняющихся жидкостей, газов или пыли. В электроинструментах происходит искрообразование, что может привести к воспламенению пыли или газа.
- Не допускайте присутствия детей и посторонних лиц при работе с инструментом. Невнимательность может привести к утрате контроля.

### ЭЛЕКТРОБЕЗОПАСНОСТЬ

- Вилка кабеля питания инструмента должна соответствовать используемой розетке. Не подвергайте вилку кабеля каким-либо изменениям. Не используйте какие-либо переходники с электроинструментами с заземляющим проводом. Использование оригинальных штепсельных вилок и соответствующих розеток предотвращает опасность поражения электрическим током.
- Не допускайте контакта частей тела с поверхностями заземленных предметов, таких как трубы, радиаторы отопления, кухонные

плиты, холодильники. При соприкосновении частей тела человека с заземленными участками возрастает опасность поражения электрическим током.

- Не подвергайте электроинструмент воздействию дождя, не используйте и не храните в условиях повышенной влажности. Попавшая внутрь инструмента вода повышает опасность поражения электрическим током.
- Обращайтесь с кабелем питания надлежащим образом. Не используйте кабель для переноски, перемещения или отключения инструмента от сети питания. Оберегайте кабель от источников тепла, масляных и острых предметов и движущихся деталей. Поврежденные или запутанные провода повышают опасность поражения электрическим током.
- При работе с электроинструментом вне помещений пользуйтесь удлинительным кабелем, предназначенным для наружного применения. Использование кабеля, предназначенного для наружного применения, снижает опасность поражения электрическим током.
- Если нет возможности избежать работы в условиях повышенной влажности, подключайте инструмент через устройство защитного отключения. При использовании устройства защитного отключения снижается опасность поражения электрическим током.

### ЛИЧНАЯ БЕЗОПАСНОСТЬ

- Соблюдайте осторожность, следите за своими действиями и пользуйтесь здравым смыслом при работе с электроинструментом. Не пользуйтесь инструментом в состоянии усталости или под воздействием наркотических средств, алкоголя или медицинских препаратов. Малейшая невнимательность при работе с инструментом может привести к тяжкому телесному повреждению.
- Используйте средства индивидуальной защиты. Всегда надевайте средства защиты зрения. Средства защиты, такие как пылезащитная маска, нескользящая защитная обувь, шлем-каска, средства защиты органов слуха, используемые надлежащим образом, снижают опасность телесного повреждения.
- Не допускайте случайного запуска. Перед подключением к источнику питания или установкой аккумуляторной батареи, подъемом или перемещением инструмента убедитесь, что переключатель находится в положении «выключено». Во избежание несчастных случаев при перемещении инструмента не держите пальцы на переключателе инструмента и не подключайте его к источнику питания при включенном положении переключателя.
- Перед включением инструмента уберите все регулировочные и гаечные ключи. Гаечные или регулировочные ключи, оставленные на вращающихся частях инструмента, могут привести



к телесному повреждению.

- **Не перенапрягать.** Старайтесь **сохранять устойчивость и подыскивайте твердую опору.** Это обеспечивает лучшую управляемость электроинструментом в непредвиденных ситуациях.
- **Одевайтесь соответствующим образом.** Не надевайте свободную одежду и украшения. Не допускайте попадания волос, одежды и перчаток в движущиеся части. Свободная одежда, украшения и длинные волосы могут попасть в движущиеся части.
- **Если в инструменте предусмотрено использование устройства удаления и сбора пыли, обеспечьте их надежное крепление и надлежащее использование.** Использование пылесборника снижает опасность, связанную с пылеобразованием.

#### ИСПОЛЬЗОВАНИЕ И ОБРАЩЕНИЕ С ИНСТРУМЕНТОМ

- **Не допускайте перегрузки инструмента.** В каждом случае используйте надлежащий электроинструмент. Правильно выбранный электроинструмент позволяет выполнить работу, для которой он предназначен, более качественно и более безопасно.
- **Не пользуйтесь инструментом, если выключатель не включается или не выключается.** Любой электроинструмент, не управляемый выключателем, представляет опасность и должен быть отремонтирован.
- **Перед выполнением каких-либо регулировок, заменой приспособлений или хранением инструмента отключите вилку кабеля источника питания и/или аккумуляторной батареи от электроинструмента.** Такие меры предосторожности помогут предотвратить опасность случайного пуска инструмента.
- **Храните неиспользуемые электроинструменты в месте, недоступном для детей, а также не допускайте к использованию данного инструмента лиц, не знакомых с его работой или не ознакомленных с данными данными инструкциями.** Инструмент в руках неподготовленного лица представляет опасность.
- **Бережно обращайтесь с инструментом.** Проверяйте инструмент на отсутствие перекосов или заклинивания движущихся частей, их неисправности или других причин, которые могут отразиться на работе инструмента. При повреждении инструмента перед его дальнейшим использованием его следует отремонтировать. Многие несчастные случаи вызваны ненадлежащим обращением с инструментом.
- **Содержите режущее устройство в чистоте и заточенном виде.** При надлежащем техническом обслуживании режущего инструмента снижается вероятность застревания режущих частей и облегчается управляемость.
- **Используйте инструмент, принадлежности, насадки и т.п. в соответствии с данными**

указаниями, и принимая во внимание условия работы и выполняемую работу. Использование данного электроинструмента не по назначению может создать опасную ситуацию.

#### ЭКСПЛУАТАЦИЯ УСТРОЙСТВА С АККУМУЛЯТОРНЫМ ПИТАНИЕМ И УХОД ЗА НИМ

- **Зарядку выполняйте только с использованием зарядного устройства, указанного изготовителем.** Зарядное устройство, подходящее к одному типу аккумуляторных батарей, может создать опасность возгорания при использовании с аккумуляторными батареями другого типа.
- **Используйте электрические устройства только со специально предназначенными для них аккумуляторными батареями.** Использование аккумуляторных батарей другого типа может привести к телесным повреждениям или возгоранию.
- **Если аккумуляторная батарея не используется, храните ее отдельно от других металлических предметов, например канцелярских скрепок, монет, ключей, гвоздей, винтов и других мелких металлических предметов, которые могут привести к замыканию контактов батареи.** Замыкание контактов батареи может вызвать ожоги или привести к возгоранию.
- **При ненормальных условиях из батареи может вытечь жидкость, избегайте контакта с ней.** Если этого избежать не удалось, тщательно промойте с мылом и водой. Если жидкость попала в глаза, сразу же обратитесь за медицинской помощью. Жидкость, вытекшая из батареи, может вызвать раздражение или ожог.

#### ОБСЛУЖИВАНИЕ

- **Техническое обслуживание и ремонт инструмента должно выполняться только квалифицированным специалистом с использованием взаимозаменяемых запасных частей.** Это обеспечит нормальное техническое состояние устройства.

#### ОСОБЫЕ МЕРЫ ПРЕДОСТОРОЖНОСТИ

- **Удерживайте режущее полотно на безопасном расстоянии от частей тела. Не пытайтесь удалить материал резания или удерживать разрезаемый материал при работающих режущих полотнах.** При очистке инструмента от замятого материала отключите питание. Малейшая невнимательность при работе со шпалерными ножницами может привести к тяжкому телесному повреждению.
- **Переносите инструмент за ручку с остановленным режущим полотном.** При транспортировке или хранении шпалерных ножниц устанавливайте защитное покрытие на режущее устройство. Использование шпалерных ножниц в соответствии с указаниями предотвратит телесные повреждения от режущих полотен.
- **Держите только инструмент за изолированные поверхности, так как режущее полотно может**



задеть скрытую проводку или собственный кабель питания. При повреждении режущим полотном провода, находящегося под напряжением, металлические части инструмента также могут оказаться под напряжением, что может привести к поражению работающего электрическим током.

#### НАЗНАЧЕНИЕ

- Данный инструмент предназначен для использования в бытовых условиях. Данный инструмент предназначен для обрезки и подравнивания живой изгороди, кустарников и подобной растительности.
- Пользоваться инструментом следует в сухих хорошо освещенных условиях.
- Устройство НЕ предназначено для подрезки травы, деревьев или веток. Инструмент не следует использовать в каких-либо других целях, кроме подрезки живой изгороди.

#### ДОПОЛНИТЕЛЬНЫЕ ПРАВИЛА ТЕХНИКИ БЕЗОПАСНОСТИ

##### ПОДГОТОВКА

- **Перед использованием очистите рабочую зону.** Уберите из рабочей зоны все посторонние объекты, такие как кабели, источники освещения, провода или веревки, которые могут попасть в режущее полотно.
- **Не допускайте в рабочую зону детей, посторонних лиц и домашних животных.** Не допускайте присутствия детей, посторонних и домашних животных в радиусе 15 метров от места работы, так как существует опасность отбрасывания различных объектов. В случае их появления сразу же выключите инструмент.
- **Не работайте при недостаточном освещении.** Пользуйтесь инструментом только днем или при хорошем искусственном освещении.
- **Проверьте инструмент перед использованием.** Замените поврежденные детали. Проверьте аккумуляторную батарею на отсутствие протечки.
- **Проверьте наличие и надежность всех элементов крепления.** Замените треснувшие, расколотые и поврежденные режущие полотна и любые другие детали. Убедитесь в правильной установке режущего полотна и его надежном креплении. Невыполнение данного требования может привести к телесному повреждению работающего и посторонних лиц, а также повредить инструмент.
- **Не пользуйтесь инструментом в неполной комплектации или с деталями не рекомендованной модификации.** Если какие-либо детали отсутствуют, не пользуйтесь устройством до установки этих деталей.

##### ЭКСПЛУАТАЦИЯ

- **Не пользуйтесь инструментом без установленной передней ручки.** При использовании инструмента обе руки держите на ручках.
- **Перед включением инструмента убедитесь в отсутствии контакта режущих полотен с**

**посторонними предметами.**

- **Очищайте инструмент от обрезков и других материалов.** Они могут застрять в режущих полотнах.
- Если инструмент натолкнулся или в него попали посторонние предметы, сразу же остановите инструмент, извлеките аккумуляторную батарею и проверьте его на наличие повреждений. Не пользуйтесь инструментом с ослабленными или поврежденными деталями.
- **Никогда не забывайте об окружающей обстановке и помните о возможных опасностях, о которых вы можете не подозревать из-за шума, создаваемого инструментом при работе.**
- Уровень вибрации во время текущей работы электрического устройства может отличаться от заявленной общей величины вибрации, что зависит от способа его использования. Выберите средства защиты оператора с учетом реальных условий эксплуатации, принимая во внимание все факторы рабочего цикла, такие как время, в течение которого инструмент был выключен, и время его работы в холостом режиме.
- Считается, что вибрация ручного инструмента может привести к проявлению у отдельных лиц так называемой болезни Рейно (Raynaud's Syndrome). К симптомам могут относиться покалывание, онемение и побеление пальцев (как при переохлаждении). Считают, что наследственные факторы, охлаждение и влажность, диета, курение и практический опыт способствуют развитию этих симптомов. В настоящее время неизвестно, как вибрация или продолжительность воздействия влияют (если вообще влияют) на развитие данных симптомов. Ниже приводятся меры, которые может принять оператор для снижения воздействия вибрации:
  - a. Одевайтесь теплее в холодную погоду. При работе с устройством пользуйтесь перчатками, чтобы руки и запястья были в тепле. Считается, что холодная погода является основным фактором, способствующим возникновению болезни Рейно (Raynaud's Syndrome).
  - b. После каждого этапа работы выполните упражнения для усиления кровообращения.
  - c. Чаще делайте перерывы в работе. Сократите длительность ежедневного пребывания на открытом воздухе.При появлении каких-либо из указанных симптомов сразу же прекратите работу и обратитесь по их поводу к врачу.

##### ТЕХНИЧЕСКОЕ ОБСЛУЖИВАНИЕ

- При обслуживании использовать только идентичные сменные части. Использование любых других частей может создавать опасность или причинять повреждение изделия.
- При очистке пластмассовых деталей не допускается использовать растворители. Большинство пластмасс восприимчиво, чтобы повредиться от различных типов коммерческих растворителей и может быть повреждено их использованием. Для очистки от грязи, пыли, масла, смазки и т.п. используйте протирочную тряпку.



- **Храните инструмент в сухом, защищенном от посторонних лиц месте.** Храните инструмент в месте, недоступном для детей и неподготовленных лиц.

**ЗАЩИТА ОКРУЖАЮЩЕЙ СРЕДЫ**

Не выбрасывайте сырье. Сдавайте его в переработку. Машина, аксессуары и упаковка должны быть отсортированы.

**СИМВОЛ**

Предупреждения, обеспечивающие вашу безопасность.



Соответствие техническому регламенту



Прочтите руководство по эксплуатации и соблюдайте все предупреждения и указания по технике безопасности.



Пользуйтесь средствами защиты органов зрения и слуха



Отбрасываемые предметы могут от ricoшетировать и привести к травме или повреждению имущества. Надевайте защитную одежду и обувь.



Надевайте нескользящие перчатки для работы в тяжелых условиях.



Не подпускайте посторонних лиц ближе чем на 15 метров.



Не выставлять под дождь или не использовать в условиях повышенной влажности.



Отработанная электротехническая продукция должна уничтожаться вместе с бытовыми отходами. Утилизируйте, если имеется специальное техническое оборудование. По вопросам утилизации проконсультируйтесь с местным органом власти или предприятием розничной торговли.

**ОБОЗНАЧЕНИЯ, ИСПОЛЬЗУЕМЫЕ В ДАННОМ РУКОВОДСТВЕ**

Безопасность



Распаковывание



Перед началом работы



Описание



Эксплуатация



Техническое обслуживание



Перейти на страницу#



Примечание



Внимание



Подключение батарей



Отключение батарей



Смазочное масло



Lock



Расцепить



Надевайте защитные перчатки



Не прикасайтесь к работающему режущему полотну



Детали или принадлежности, приобретаемые отдельно



**⚠ OSTRZEŻENIE**

Urządzenie nie jest przeznaczone do obsługi przez osoby (w tym dzieci) o zmniejszonej sprawności fizycznej, psychicznej lub sensorycznej lub nieposiadające odpowiedniej wiedzy ani doświadczenia, chyba że pod nadzorem osoby odpowiedzialnej za ich bezpieczeństwo. Nie powinno się pozwalać dzieciom na zabawy z tym urządzeniem.

**OGÓLNE ZASADY BEZPIECZEŃSTWA DOTYCZĄCE URZĄDZEŃ ELEKTRYCZNYCH****⚠ OSTRZEŻENIE**

Zapoznaj się ze wszystkimi zasadami bezpieczeństwa i instrukcjami. Niezastosowanie się do ostrzeżeń i instrukcji może spowodować porażenie prądem, pożar oraz/lub poważne obrażenia ciała.

**Zachowajcie te ostrzeżenia i zalecenia, aby móc się do nich odnieść w późniejszym czasie.**

Termin "elektronarzędzia" stosowany w przedstawionych tu zasadach bezpieczeństwa odnosi się zarówno do urządzeń zasilanych z sieci energetycznej (przewodowych) jak i urządzeń zasilanych z akumulatora (beprzewodowych).

**OTOCZENIE ROBOCZE**

- **Miejsce pracy musi być utrzymywane w czystości i dobrze oświetlone.** Obszary zaśmieczone lub niewystarczająco oświetlone mogą być przyczyną wypadku.
- **Nie wolno uruchamiać urządzeń elektrycznych w miejscach, gdzie grozi to wybuchem, na przykład w pobliżu łatwopalnych cieczy, gazów lub pyłów.** Urządzenia elektryczne mogą wytwarzać iskry, które mogą być przyczyną zapłonu pyłów lub oparów.
- **Podczas używania narzędzi elektrycznych należy utrzymywać osoby postronne i dzieci z dala od miejsca pracy.** Odwrócenie uwagi operatora może spowodować utratę kontroli nad urządzeniem.

**ZASADY BEZPIECZEŃSTWA DOTYCZĄCE OBSŁUGI URZĄDZEŃ ELEKTRYCZNYCH**

- **Wtyczki zasilania elektronarzędzi muszą pasować do gniazd sieciowych.** Nie wolno modyfikować wtyczek w żaden sposób. Nie wolno używać żadnych przejściówek do podłączania urządzeń posiadających przewód zasilania z uziemieniem. Stosowanie oryginalnych wtyczek i dopasowanych gniazd sieciowych zmniejsza ryzyko porażenia prądem.
- **Unikać kontaktu ciała z powierzchniami uziemionymi lub podłączonymi do bieguna zerowego, np. rury, instalacje grzewcze i chłodnicze.** Kontakt ciała z masą lub uziemieniem zwiększa ryzyko porażenia prądem.

- **Nie wolno wystawiać elektronarzędzi na działanie deszczu lub wilgoci.** Przedostanie się wody do wnętrza elektronarzędzia zwiększa ryzyko porażenia prądem.
- **Nie uszkodzisz przewodu zasilania. Nie wolno używać przewodu zasilania do przenoszenia, ciągnięcia urządzenia lub jego odłączenia z gniazda sieciowego. Przewody elektryczne trzymać z dala od źródeł ciepła, oleju, ostrych krawędzi lub ruchomych elementów.** Uszkodzony lub zaplątany przewód elektryczny zwiększa ryzyko porażenia prądem.
- **W przypadku używania urządzenia na zewnątrz, ewentualne przedłużacze muszą być do tego przystosowane.** Zastosowanie przedłużacza przystosowanego do warunków zewnętrznych zmniejsza ryzyko porażenia prądem.
- **Jeśli nie można uniknąć użytkowania urządzenia elektrycznego w warunkach wilgotnych, należy je zasilac z obwodu zabezpieczonego wyłącznikiem różnicowo-prądowym (RCD).** Zastosowanie takiego wyłącznika pozwala zmniejszyć ryzyko porażenia prądem elektrycznym.

**BEZPIECZEŃSTWO OSOBISTE**

- **Zachowywać skupienie, uważnie obserwować wykonywane czynności, stosować zasady zdrowego rozsądku podczas obsługi urządzenia. Nie używać urządzeń elektrycznych w stanie zmęczenia lub będąc pod wpływem leków, alkoholu lub środków odurzających.** Moment nieuwagi podczas obsługi elektronarzędzia może być przyczyną poważnego zranienia.
- **Stosować środki ochrony osobistej. Zawsze nosić okulary ochronne.** Stosowanie takich środków ochrony osobistej jak maska przeciwpyłowa, obuwie antypoślizgowe, twarde nakrycie głowy, nauszники pozwoli zmniejszyć ryzyko zranienia.
- **Unikać możliwości przypadkowego uruchomienia urządzenia. Przed podłączeniem do zasilania/założeniem akumulatora lub w celu jego podniesienia lub przeniesienia należy upewnić się, że wyłącznik zasilania znajduje się w położeniu wyłączonym.** Przenoszenie elektronarzędzia z palcem na wyłączniku lub podłączenie zasilania do urządzenia, w którym wyłącznik znajduje się w położeniu włączonym grozi wypadkiem.
- **Usunąć wszelkie narzędzia i klucze przed włączeniem zasilania.** Uruchomienie elektronarzędzia z kluczem założonym na ruchomym elemencie grozi poważnym wypadkiem.
- **Nie sięgać zbyt daleko. Należy cały czas pewnie opierać stopy i utrzymywać równowagę.** Zapewni to lepsze panowanie nad urządzeniem w nieprzewidzianych sytuacjach.
- **Należy zakładać odpowiednią odzież ochronną. Nie zakładać luźnego ubioru ani biżuterii.** Trzymać włosy, ubranie i okulary z dala od ruchomych



elementów. Mogą być one wciągnięte przez ruchome części urządzenia.

- Jeśli używane urządzenie posiada przyłączy do wyciągu i gromadzenia kurzu, należy go używać w odpowiedni sposób. Stosowanie metod usuwania pyłu zmniejsza zagrożenie związane z jego gromadzeniem.

#### UŻYTKOWANIE I KONSERWACJA URZĄDZEŃ ELEKTRYCZNYCH

- Nie przeciążać urządzenia. Używać odpowiedniego narzędzia do odpowiedniego rodzaju prac. Najlepsze efekty pracy, przy zachowaniu pełnego bezpieczeństwa, zapewni używanie urządzeń w zakresie parametrów znamionowych i stosownie do ich przeznaczenia.
- Nie używać tego urządzenia, jeśli wyłącznik nie pracuje poprawnie. Używanie elektronarzędzia bez sprawnego wyłącznika jest zbyt niebezpieczne - należy oddać je do naprawy.
- Przed przystąpieniem do regulacji, wymiany akcesoriów lub przed odłożeniem elektronarzędzia w miejsce przechowywania należy wyjąć wtyczkę z gniazda sieciowego lub wyjąć akumulator. Tego rodzaju środki zapobiegawcze pozwolą zmniejszyć ryzyko przypadkowego uruchomienia elektronarzędzia.
- Nieużywane urządzenia należy przechowywać poza zasięgiem dzieci. Nie wolno zezwalać osobom nie obeznanym z obsługą urządzeń elektrycznych na ich używanie. Urządzenia elektryczne mogą być niebezpieczne w rękach osób nieposiadających odpowiedniego przygotowania.
- Urządzenia elektryczne wymagają konserwacji. Należy sprawdzać wyrównanie elementów ruchomych, sprawdzać, czy nie ma jakichkolwiek uszkodzeń, uwzględnić wszelkie aspekty mające wpływ na bezpieczną pracę urządzenia. W przypadku stwierdzenia uszkodzeń, oddać urządzenie do naprawy. Wiele wypadków spowodowane jest używaniem urządzeń w niewłaściwym stanie technicznym.
- Elementy tnące muszą być ostre i czyste. Odpowiednio ostre krawędzie tnące ułatwią prowadzenie urządzenia i są bardziej odporne na uszkodzenie.
- Wszelkie urządzenia, przystawki, akcesoria itp. należy używać zgodnie z dołączonymi instrukcjami obsługi, z uwzględnieniem warunków i charakteru wykonywanej pracy. Używanie narzędzi w sposób niezgodny z ich przeznaczeniem grozi poważnym niebezpieczeństwem.

#### UŻYTKOWANIE I OBSŁUGA AKUMULATORA

- Ładować wyłącznie za pomocą ładowarki dostarczonej przez producenta. Ładowarka przeznaczona do jednego modelu akumulatora może być przyczyną pożaru w przypadku zastosowania do ładowania akumulatora innego typu.
- Używać narzędzi ręcznych z napędem elektrycznym

wyłącznie z akumulatorami przeznaczonymi do tych urządzeń. Używanie innych akumulatorów wiąże się ze zwiększonym ryzykiem pożaru lub obrażeń ciała.

- Gdy akumulator nie jest używany, przechowywać go z dala od innych metalowych przedmiotów, np. spinaczy, monet, kluczy, gwoździ, śrub lub innych małych metalowych przedmiotów, które mogłyby utworzyć połączenie między stykami, prowadząc do zwarcia. Zwarcie styków akumulatora może spowodować oparzenia lub pożar.
- W przypadku niewłaściwej obsługi może dojść do wycieku płynu z akumulatora, należy unikać kontaktu z tym płynem. Miejsce ewentualnego kontaktu przepłukać dużą ilością wody z mydłem. W przypadku, gdy płyn dostanie się do oczu, niezwłocznie zwrócić się o pomoc do lekarza. Płyn wyciekający z akumulatora może powodować podrażnienia i oparzenia.

#### KONSERWACJA

- Urządzenie elektryczne powinno być naprawiane przez wykwalifikowany personel, z zastosowaniem identycznych części zamiennych. Dzięki temu zapewnione będzie bezpieczeństwo użytkownika urządzenia.

#### SPECJALNE ZASADY BEZPIECZEŃSTWA

- Wszystkie kończyny należy trzymać z dala od ostrza. Nie usuwać nagromadzonej ściłki ani nie trzymać gałęzi do przecięcia w rękach gdy ostrza pracują. Przed przystąpieniem do usuwania nagromadzonego materiału upewnić się, że urządzenie jest wyłączone. Moment nieuwagi podczas obsługi przycinarki może być przyczyną poważnego zranienia.
- Przycinarkę należy przenosić trzymając za rękkość, ostrza nie mogą pracować. Do transportu lub przechowywania zakładać osłonę na element tnący. Odpowiednie obchodzenie się z przycinarką pozwoli zmniejszyć ryzyko zranienia przez jej ostrza.
- Elektronarzędzie należy trzymać wyłącznie za przewidziane do tego celu izolowane uchwyty, ponieważ istnieje ryzyko przypadkowego zetknięcia się ostrza z niewidocznym przewodem elektrycznym lub własnym przewodem. Kontakt ostrza z przewodem pod napięciem może spowodować przepływ prądu przez metalowe elementy urządzenia i porażenie operatora.

#### PRZEZNACZENIE

- Produkt ten jest przeznaczony do użytku domowego. Urządzenie jest przeznaczone do cięcia i przycinania żywopłotów, krzewów i podobnych roślin.
- Urządzenie należy stosować w warunkach suchych, przy dobrym oświetleniu.
- NIE JEST ono przeznaczone do koszenia trawy, piłowania drzew lub konarów. Nie należy używać tego urządzenia w celu innym niż przycinanie żywopłotów.

**DODATKOWE ZASADY BEZPIECZEŃSTWA****PRZYGOTOWANIE**

- **Przed każdym użyciem oczyścić obszar cięcia.** Usunąć wszystkie przedmioty, takie jak przewody, lampy, druty, sznurki, które mogą ulec zapłataniu w ostrze tnące.
- **Usunąć dzieci, osoby postronne i zwierzęta z miejsca pracy.** Dzieci, osoby postronne i zwierzęta należy trzymać w odległości minimum 15 metrów od miejsca pracy, aby uniknąć ich zranienia przez odrzucane przedmioty. W przypadku zbliżenia się jakiegokolwiek osoby, urządzenie należy natychmiast wyłączyć.
- **Nie pracować w słabym oświetleniu.** Prace należy wykonywać w świetle dziennym lub przy dobrym oświetleniu sztucznym.
- **Sprawdzić stan techniczny urządzenia przed każdym użyciem.** Wymienić uszkodzone elementy. Sprawdzić, czy akumulator nie ma wycieków.
- **Upewnić się, że wszystkie elementy mocujące i osłony znajdują się na swoim miejscu i są zamocowane w sposób pewny.** Wymienić pęknięte, wyszczerbione lub uszkodzone ostrza i wszelkie inne elementy. Upewnić się, że ostrze jest prawidłowo założone i bezpiecznie zamocowane. W przeciwnym wypadku może dojść do zranienia operatora, osób postronnych lub uszkodzenia urządzenia.
- **Nie próbować używać urządzenia niekompletnego lub pracującego w zmodyfikowanej i niezatwierdzonej konfiguracji.** W przypadku braku jakiegokolwiek podzespołu, urządzenia nie wolno używać aż do usunięcia uszkodzenia lub założenia podzespołu.

**SPOSÓB UŻYCIA**

- **Nie używać przycinarki bez założonego uchwytu przedniego.** Podczas używania urządzenia należy trzymać obydwie ręce na uchwytach.
- **Przed uruchomieniem urządzenia należy upewnić się, że ostrza tnące nie dotykają niczego.**
- **Trzymać urządzenie w czystości, wolne od pozostałości żywopłotu i innych materiałów.** Mogą one utknąć w ostrzach tnących.
- W przypadku uderzenia maszyną lub jej zapłatania w przedmioty obce, należy ją natychmiast zatrzymać, wyjąć akumulator i sprawdzić, czy nie uległa uszkodzeniu. Nie uruchamiać urządzenia z obluźowanymi lub uszkodzonymi podzespołami.
- **Należy zawsze pamiętać o otoczeniu i zachować czujność, aby uniknąć możliwych zagrożeń, które mogą być niesłyszalne z powodu hałasu wytwarzanego przez maszynę.**
- Poziom wibracji podczas używania narzędzi ręcznych z napędem elektrycznym może różnić się od deklarowanej wartości całkowitej w zależności od sposobu używania tych narzędzi. Określić zasady

bezpieczeństwa, oparte na oszacowaniu narażenia operatora w rzeczywistych warunkach użytkowania, uwzględniając wszystkie elementy cyklu operacyjnego, takie jak czasy wyłączenia oraz czasy pracy bez obciążenia, oprócz czasu pracy przy wciśniętym przycisku uruchamiania.

- **Badania dowodzą, że wibracje powodowane przez narzędzia ręczne mogą wywoływać u niektórych osób objawy syndromu Raynauda.** Typowe objawy to mrowienie, drętwienie i blednięcie palców, widoczne zwykle po wystawieniu na działanie zimna. Uważa się, że czynniki dziedziczne, wystawienie na działanie zimna i wilgoci, dieta, palenie papierosów i przyjęte zwyczaje przyczyniają się do rozwoju tych objawów. Obecnie nie wiadomo czy i jakie wibracje lub rozmiar ekspozycji może przyczynić się do takiego stanu. Istnieją środki zaradcze, które może podjąć operator narzędzia, aby zmniejszyć efekt wibracji:
  - a. Zadbac w niskich temperaturach o ciepłotę własnego ciała, zakładając odpowiednie ubranie. Podczas obsługi urządzenia należy nosić rękawice, aby dłonie i nadgarstki były ciepłe. Wiadomo, że niskie temperatury są główną przyczyną powstawania objawu Raynauda.
  - b. Podczas przerw w pracy należy wykonywać ćwiczenia poprawiające krążenie krwi..
  - c. Podczas pracy robić częste przerwy. Ograniczyć ekspozycję w ciągu dnia.

W razie doświadczenia dowolnego z wymienionych objawów, należy niezwłocznie zaprzestać użytkowania tego urządzenia i skontaktować się z lekarzem.

**KONSERWACJA**

- **Do napraw używać wyłącznie identycznych zamienników.** Stosowanie zamienników innych firm może stwarzać zagrożenie dla zdrowia użytkownika lub uszkodzić urządzenie.
- **Unikać stosowania rozpuszczalników do czyszczenia plastikowych części.** Większość plastików jest wrażliwa na rozmaite rozpuszczalniki dostępne w handlu i może ulec uszkodzeniu przez ich stosowanie. Do usuwania brudu, kurzu, oleju, smaru itp. należy używać czystej szmatki.
- **Urządzenie należy przechowywać w suchym miejscu, pod zamknięciem lub w inny sposób zapobiegający przed nieupoważnionym użyciem.** Trzymać poza zasięgiem dzieci i nieprzeszkolonych osób.

**OCHRONA ŚRODOWISKA**

Surowce należy oddawać do recyklingu zamiast wyrzucać je na śmieci. Z myślą o ochronie środowiska, narzędzie, akcesoria i opakowania powinny być sortowane.



## SYMBOL



Zasady dotyczące bezpieczeństwa operatora.



Zgodność z normami technicznymi



Przeczytać instrukcję obsługi i przestrzegać wszystkich ostrzeżeń i instrukcji dotyczących bezpieczeństwa.



Zakładać środki ochrony wzroku i słuchu



Wyrzucony przedmiot może się odbić i trafić kogoś rykoszetem, co grozi poważnym zranieniem lub stratami materialnymi. Zakładać ubiór ochronny i odpowiednie obuwie.



Zakładać antypoślizgowe, grube rękawice ochronne.



Trzymać osoby postronne w odległości przynajmniej 15m od miejsca pracy.



Nie narażać urządzenia na deszczu lub wilgoci.



Zużyte produkty elektryczne nie powinny być utylizowane z odpadami domowymi. Prosimy poddawać recyklingowi w odpowiednich miejscach. Informacje o właściwych metodach recyklingu można uzyskać u władz lokalnych lub sprzedawcy.



Konserwacja



Przejdź do strony #



Informacja



Alarm bezpieczeństwa



Podłączyć akumulator



Odłączyć akumulator



Olej smarujący



Blokada



Odkręcenie uchwytu



Zakładać rękawice ochronne



Nie dotykać poruszającego się ostrza



Części lub akcesoria sprzedawane oddzielnie

## IKONY UŻYWANE W TYM PODRĘCZNIKU



Bezpieczeństwo



Rozpakowywanie



Rozpoczęcie użytkowania



Przegląd



Sposób użycia

**⚠ UPOZORNĚNÍ**

Tento přístroj není navržen pro používání osobami (včetně dětí) se sníženými psychickými, smyslovými nebo mentálními schopnostmi, nebo s nedostatkem zkušeností a znalostí bez dozoru, nebo pokynů o použití přístroje osobou, zodpovídající za jejich zdraví. Děti je třeba kontrolovat, aby se zajistilo, že si nebudou hrát s přístrojem.

**OBECNÁ BEZPEČNOSTNÍ VAROVÁNÍ  
K ELEKTRICKÝM NÁSTROJŮM****⚠ UPOZORNĚNÍ**

Přečtěte si všechny pokyny a bezpečnostní varování. Opomenutí dodržování varování a pokynů uvedených níže může způsobit úraz elektrinou požár a/ nebo vážná poranění osob.

**Uschovejte všechny pokyny a upozornění, abyste se k nim mohli v budoucnosti vrátit.**

Pojem „elektricky poháněný nástroj“ ve varování poukazuje na váš nástroj, který je napájen pomocí napájecího kabelu z elektrické sítě (s kabelem) nebo z baterie (bez přívodního kabelu).

**PRACOVNÍ PROSTŘEDÍ**

- **Udržujte pracovní prostor čistý a dobře osvětlený.** Zatarasené nebo tmavé oblasti vedou k nehodám.
- **Nepracujte s tímto elektricky poháněným nástrojem ve výbušných prostředích, například v přítomnosti hořlavých kapalin, plynů nebo prachu.** Elektricky poháněné nástroje vytváří jiskry, které mohou zapálit prach nebo výpary.
- **Udržujte děti a přihlížející během práce s elektricky poháněným nástrojem stranou.** Rozptylování může způsobit ztrátu kontroly.

**ELEKTRICKÁ BEZPEČNOST**

- **Zástrčky elektricky poháněného nástroje musí být shodné s elektrickou zásuvkou. Nepokoušejte se zástrčku jakýmkoliv způsobem upravovat. Nepoužívejte žádný adaptér zástrček se zemněným (uzemněným) elektricky poháněným nástrojem.** Neupravené zástrčky a shodné zásuvky snižují nebezpečí elektrického úrazu.
- **Předcházejte tělesnému kontaktu s uzemněnými nebo zemněnými povrchy, například trubkami, radiátory, sporáky a lednicemi.** Je zde zvýšené nebezpečí zásahu elektrickým proudem, pokud je vaše tělo zemněno nebo uzemněno.
- **Nevystavujte elektrické nástroje dešti nebo vysoké vlhkosti.** Voda vnikající do elektricky poháněného nástroje zvyšuje nebezpečí elektrického úrazu.
- **Nepoškozujte napájecí kabel. Nikdy pro odpojování,**

**táhnutí nebo přenášení elektricky poháněného nástroje nepoužívejte kabel. Udržujte kabel mimo horké plochy, olej, pohyblivé součásti nebo ostré hrany.** Poškozené nebo zamotané kabely zvyšují nebezpečí elektrického úrazu.

- **Pokud používáte elektricky poháněný nástroj ve venkovním prostředí, používejte prodlužovací kabel vhodný pro venkovní prostředí.** Použití kabelu vhodného pro venkovní prostředí snižuje nebezpečí elektrického úrazu.
- **Pokud používáte elektricky poháněný nástroj ve vlhkém prostředí, je nezbytné používat proudový chránič (PCH).** Použitím PCH snížíte nebezpečí poranění elektrickým proudem.

**OSOBNÍ BEZPEČNOST**

- **Buďte ve střehu, hlídejte, co děláte a používejte zdravý rozum při provozu tohoto elektricky poháněného nástroje. Elektrický nástroj nepoužívejte, pokud jste unavení nebo pod vlivem drog, alkoholu nebo léků.** Chvilce nepozornosti při práci s tímto elektricky poháněným nástrojem může způsobit vážná poranění osob.
- **Používejte osobní ochrannou výbavu. Vždy noste ochranu očí.** Ochranná výbava jako respirátor, protiskluzová obuv, ochranná přilba nebo ochrana sluchu použitá pro příslušné podmínky snižuje osobní poranění.
- **Zabraňte náhodnému spuštění. Zabezpečte, aby byl spínač v poloze vypnuto (off) před připojením zdroje energie a/nebo bloku baterií, přípravou nebo nesením nástroje.** Nošení elektrického nástroje s vaším prstem na spínači nebo se zapojenou zástrčkou elektrického nástroje může při zapnutí vést k nehodě.
- **Odstraňte všechny seřizovací klíče nebo šroubováky, než zapnete poháněný nástroj.** Klíč nebo šroubovák ponechaný přiložený k pohyblivému dílu elektricky poháněného nástroje může způsobit poranění osob.
- **Nepřeceňujte se. Udržujte řádné postavení a rovnováhu po celou dobu práce.** Toto umožňuje lepší ovládnutí poháněného nástroje v neočekávaných situacích.
- **Správně se oblékejte. Nenoste volný oděv nebo šperky. Udržujte svoje vlasy, oděv a rukavice mimo pohybující se části.** Volný oděv, šperky nebo dlouhé vlasy mohou být zachyceny do pohyblivých dílů.
- **Pokud jsou zařízení vybavena přípojkou pro odsávání prachu a sběrným zařízením, ujistěte se, že jsou správně připojeny k nástroji, a že se správně používají.** Použití odsavače prachu může snížit nebezpečí související s prachem.

**POUŽITÍ A PÉČE O NÁSTROJ**

- **Na elektricky poháněný nástroj netlačte. Nářadí vybírejte podle povahy práce, kterou chcete provádět.** Správný elektricky poháněný nástroj bude svou práci provádět lépe a bezpečněji při práci, pro



kterou byl navržen.

- **Elektricky poháněný nástroj nepoužívejte, pokud spínač nezapíná a nevyplíná.** Každý elektricky poháněný nástroj, který nemůže být ovládnut spínačem, je nebezpečný a musí být opraven.
- **Odpojte zástrčku od zdroje napájení a/nebo bateriový modul dříve, než provedete jakákoliv nastavení, výměnu příslušenství nebo než elektrický nástroj uložíte.** Také bezpečnostní preventivní opatření snižují riziko náhodného spuštění elektrického nástroje.
- **Ukládejte nečinný elektricky poháněný nástroj mimo dosah dětí a nenechávejte neznámé osoby pracovat s elektricky poháněným nástrojem nebo s těmito pokyny k obsluze elektrického nástroje.** Elektricky poháněné nástroje jsou nebezpečné v rukou nekvalifikovaných uživatelů.
- **Udržujte elektrické nástroje. Kontrolujte vychýlení nebo zasekávání pohyblivých dílů, rozbité části a každé jiné podmínky, které mohou ovlivnit funkci elektricky poháněných nástrojů. Zjistí-li se poškození, musí se elektricky poháněný nástroj před použitím opravit.** Mnoho úrazů je způsobeno nedostatečně udržovanými elektricky poháněnými nástroji.
- **Udržujte řezné nástroje ostré a čisté.** Řádně udržované řezné nástroje s ostrými řeznými hranami mají nízkou pravděpodobnost zaseknutí a jsou snadněji ovladatelné.
- **Poháněné nástroje, příslušenství a vrtáky, atd. používejte v souladu s těmito pokyny s ohledem k pracovním podmínkám a práci, která má být provedena.** Použití elektricky poháněného nástroje pro práce jiné, než zamýšlené by mohlo mít za následek nebezpečnou situaci.

#### POUŽITÍ A PÉČE O NÁSTROJ NA BATERIE

- **Dobíjejte pouze nabíječkou určenou výrobcem.** Nabíječka, která je vhodná pro jeden typ akumulátoru může způsobit nebezpečí požáru, pokud se používá s jiným bateriovým modulem.
- **Elektrický nástroj používejte pouze s přesně určeným bateriovým modulem.** Použití jakéhokoliv jiného akumulátoru může způsobit nebezpečí poranění a požáru.
- **Pokud akumulátor nepoužíváte, uchovávejte jej mimo kovové předměty jako svorky pro papír, mince, klíče, hřebíky, šrouby nebo jiné malé kovové předměty, které mohou vytvořit propojení jednoho vývodu s druhým.** Zkratování vývodů baterie může způsobit požár nebo popáleniny.
- **Za nevhodných podmínek může z baterie vytékat kapalina; zabraňte kontaktu.** Pokud dojde k náhodnému kontaktu, omyjte množstvím mýdlové vody. Pokud kapalina přijde do kontaktu s očima, ihned vyhledejte lékařskou pomoc. Kapalina vytečená z baterie způsobit podráždění nebo popáleniny.

#### ÚDRŽBA

- **Váš elektricky poháněný nástroj smí opravovat pouze kvalifikovaný opravárenský pracovník a musí používat pouze shodné náhradní díly.** Toto zajišťuje udržování bezpečnosti elektricky poháněného nástroje.

#### ZVLÁŠTNÍ BEZPEČNOSTNÍ PŘEDPISY

- **Udržujte všechny části těla mimo ostří nože. Neodstraňujte pořezané nebo zachycené materiály, když se nože pohybují. Přesvědčte se, že je spínač vypnut, když čistíte zaseknutý materiál.** Chvilé nepozornosti při práci s plotostřihem může způsobit vážná poranění osob.
- **Plotostřih přenášejte za rukojeť se zastavenou žací lištou. Pokud plotostřih přepravujete nebo skladujete, vždy nasadte ochranné pouzdro nože.** Správná obsluha nůžek pro živý plot snižuje možné osobní poranění od řezacích nožů.
- Elektrický nástroj držte pouze za izolované úchopové plochy, protože může dojít ke styku nože se skrytými nebo jeho vlastním kabelem. Kontakt s nože „živým“ vodičem způsobí, že kovové části elektrického nástroje se stanou také „živými“ a způsobí elektrický úraz obsluze.

#### ZAMÝŠLENÉ POUŽITÍ

- Tento výrobek je navržen pro domácí používání. Tento výrobek je navržen pro sekání a úpravu živých plotů, keřů a podobné vegetace.
- Měl by se používat v suchých, dobře osvětlených podmínkách.
- **NENÍ určen pro sekání trávy, stromů nebo větví.** Neměl by se používat pro jiné účely než stříhání živých plotů.

#### DODATEČNÉ BEZPEČNOSTNÍ PŘEDPISY

##### PŘÍPRAVA

- **Před každým použitím si vyčistěte oblast řezání.** Odstraňte všechny předměty, například kabely, svítidla, dráty nebo strunu, které se mohou vymrštit nebo zamotat do sekacího nože.
- **Odsuňte přihlízející, děti a zvířata mimo oblast práce.** Udržujte děti, přihlízející a domácí zvířata v povzdálí alespoň 15 m; stále však existuje nebezpečí zasažení odletávajícími předměty. Přiblížíte-li se, ihned zastavte nástroj.
- **Neprovozujte při slabém osvětlení.** Používejte zařízení pouze ve dne nebo v dobrém umělém osvětlení.
- **Zkontrolujte zařízení před každým použitím.** Všechny poškozené díly vyměňte. Proveďte kontrolu akumulátoru na netěsnost.
- **Ujistěte se, že jsou všechny upevňovač a kryty na místě a zajištěny.** Vyměňujte sekací nože nebo





veškeré další díly, které jsou prasklé, zlomené či poškozené. Zkontrolujte, zda je řezací nůž řádně nainstalován a bezpečně upevněn. Neprovedete-li toto, může to vést k osobnímu poranění obsluhy a přihlížejících, jako i poškození nástroje.

- **Nikdy se nepokoušejte používat nekompletní stroj nebo s nějakou nepovolenou úpravou.** Pokud některé díly chybí nebo jsou viditelně poškozeny, nepracujte s nástrojem, dokud se díly nevymění.

## POUŽITÍ

- **Nepoužívejte sekačku bez namontované přední rukojeti.** Vždy mějte obě ruce na rukojetích při používání nástroje.
- **Před spuštěním nůžek se ujistěte, že nože nůžek nejsou s ničím v kontaktu.**
- **Udržujte nástroj očistěn od odřezků z plotu a dalších materiálů.** Mohou se usadit do sekacích nožů.
- Pokud nástroj kope, nebo se nože zamotají do cizích objektů, ihned jej zastavte, vyndejte baterii a zkontrolujte na poškození. Nepoužívejte přístroj, pokud má poškozeny nebo uvolněny díly.
- **Vždy si hlídejte své okolí a buďte připraveni na možná nebezpečí, které nemusí být slyšet z důvodu hluku stroje.**
- Aktuální hodnoty vibrační během používání nástroje se mohou lišit od výše uvedených a mohou se lišit dle použitého nástroje. Určete bezpečnostní opatření pro vlastní ochranu, která jsou založena na odhadu vystavení v aktuálních podmínkách používání, popisu všech částí pracovního cyklu jako doby, kdy je nástroj vypnut a když běží naprázdno, kromě doby spuštění.
- Bylo zjištěno, že vibrace z ručních pracovních nástrojů mohou u některých osob přispívat ke stavu tzv. Raynaud's Syndrome (Raynaudovu syndromu). Mezi jeho příznaky patří brnění, necitlivost a zblednutí prstů, patrné obvykle po pobytu v chladu. Vědci se domnívají, že k rozvinutí těchto příznaků přispívají dědičné faktory, pobyt v chladu a vlhku, strava, kouření a pracovní návyky. V současné době není zcela prokázáno, zda vůbec vibrace nebo dlouhodobé vystavování může přispívat k znečítlivění. Uživatel může omezit případné působení vibrační použitím vhodných opatření:
  - a. Za chladného počasí se teple oblečte. Při práci s nástrojem si navlékněte rukavice, abyste udrželi ruce a zápěstí v teple. Bylo zjištěno, že chladné počasí je hlavním faktorem přispívajícím k Raynaud's Syndrome (Raynaudovu syndromu).
  - b. Během práce si v pravidelných intervalech zacvičte, abyste zvýšili krevní oběh.
  - c. Zařazujte časté pracovní přestávky. Omezte dobu práce za den.

Jakmile pocítíte některý z výše uvedených příznaků tohoto syndromu, okamžitě přerušte práci a vyhledejte lékaře.

## ÚDRŽBA

- **Pokud opravujete, používejte pouze stejné náhradní díly.** Použití jakýchkoliv jiných součástí může vytvořit nebezpečí nebo příčinu poškození výrobku.
- **Vyhňte se používání rozpouštědel, když čistíte plastové díly.** Mnoho plastů je citlivých na poškození různými typy komerčních rozpouštědel a mohou být jimi poškozeny. Používejte čisté utěrky pro odstranění nečistot, prachu, oleje, mastnoty, atd.
- **Nářadí skladujte na suchém místě, v dostatečné výšce nebo v uzamykatelném nábytku, aby nemohlo dojít k jeho zneužití a poškození nepovolanými osobami.** Udržujte mimo dosah dětí nebo neproškolených osob.

## OCHRANA ŽIVOTNÍHO PROSTŘEDÍ



V rámci možnosti neodhazujte vysloužilý výrobek nebo jeho části do domovního odpadu a snažte se o jejich recyklaci. V souladu s předpisy na ochranu životního prostředí odkládejte vysloužilé nářadí, příslušenství i obalový materiál do tříděného odpadu.

## SYMBOL



Opatření, která zajišťují vaši bezpečnost.



Podléhá technickým nařízením



Řádně si návod přečtěte a dodržujte všechny pokyny a bezpečnostní varování.



Použití ochrany očí a sluchu



Vymrštěné předměty se mohou odrazit, může to způsobit poranění nebo poničení majetku. Používejte ochranné oděvy a obuv.



Navlékněte si pevné neklouzavé rukavice.



Okolostojící osoby udržujte ve vzdálenosti alespoň 15m.



Nezavazujte dešti nebo nepoužívejte ve vlhkých podmínkách.



Odpad elektrických výrobků se nesmí likvidovat v domovním odpadu. Recyklujte prosím na sběrných místech. Ptejte se u místních úřadů nebo prodejce na postup při recyklaci.







### IKONY V NÁVODU



Bezpečnost



Vybalení



Začínáme



Přehled



Použití



Údržba



Přejděte na str.



Informace



Bezpečnostní výstraha



Připojte baterii



Odpojte baterii



Mazací olej



Zamknuto



Odemknuto



Požívejte ochranné rukavice



Nedotýkejte se pohyblivých žacích lišt



Díly nebo příslušenství jsou v prodeji samostatně

**▲ FIGYELMEZTETÉS**

A készüléket nem használhatják csökkent fizikai, érzékelési vagy értelmi képességű személyek (a gyerekeket is beleértve), vagy akiknek nincs meg a tapasztalatuk és tudásuk ehhez; kivéve, ha a biztonságukért felelős személy a használatra megtanítja, vagy a használat közben felügyeli őket. A gyerekekre oda kell figyelni, nehogy játsszanak a készülékkel.

**ÁLTALÁNOS BIZTONSÁGI FIGYELMEZTETÉSEK AZ ELEKTROMOS SZERSZÁMGÉPRE VONATKOZÓAN****▲ FIGYELMEZTETÉS**

**Olvassa el az összes biztonsági figyelmeztetést és útmutatást.** A figyelmeztetések és utasítások be nem tartása elektromos áramütést, tüzet és/vagy súlyos sérülést eredményezhet.

**Őrizze meg ezeket a figyelmeztetéseket és utasításokat a későbbi tájékozódásra is.**

A figyelmeztetéseken a „szerszámgep” kifejezés az elektromos hálózatról (kábelrel) működtetett vagy akkumulátorról (kábel nélkül) működtetett gépet jelenti.

**MUNKATERÜLET**

- **A munkaterületet tartsa tisztán és jól megvilágítva.** A rendetlen vagy sötét munkaterületek balesetekhez vezethetnek.
- **Az elektromos szerszámgépeket ne működtesse robbanásveszélyes környezetben, mint például robbanásveszélyes folyadékok, gázok vagy porok jelenlétében.** Az elektromos gépekben szikrák keletkeznek, amik begyújthatják a port vagy a gőzöket.
- **Az elektromos szerszámgep használatakor a gyerekeket és a kívülállókat tartsa távol.** A figyelem elterelődése az irányítás elvesztését okozhatja.

**ELEKTROMOS BIZTONSÁG**

- **A szerszámgep dugaszának illeszkednie kell az aljzathoz. Semmilyen módon ne módosítsa a dugaszt.** A földelt elektromos gépekhez ne használjon adapter dugaszt. A nem módosított és illeszkedő dugasz csökkenti az áramütés kockázatát.
- **Kerülje az érintkezést földelt felületekkel, mint például csövekkel, radiátorokkal és hűtőkkel.** Megnöveli az áramütés kockázatát, ha a teste földeltté válik.
- **Ne tegye ki az elektromos gépeket esőnek vagy nedves környezet hatásának.** A szerszámgepekbe kerülő víz növeli az áramütés kockázatát.
- **Ne rongálja meg a kábelt.** A szerszámgep kábelét soha ne használja a szerszám hordozására, húzására vagy kihúzására. A kábelt hőtől, olajtól,

éles tárgyaktól vagy mozgó alkatrészekről tartsa távol. A sérült vagy beakadt kábelek növelik az áramütés kockázatát.

- **Szerszámgepnek a szabadban való működtetésekor kültéri használatra is megfelelő hosszabbító kábelt használjon.** Kültéri használatra megfelelő hosszabbító kábel csökkenti az áramütés kockázatát.
- **Ha a szerszámgep használata nedves környezetben elkerülhetetlen, használjon áram-védőkacsolót (RCD).** Az RCD használata csökkenti az áramütés kockázatát.

**SZEMÉLYI BIZTONSÁG**

- **Elektromos szerszámgep működtetésekor legyen mindig éber, figyeljen arra, amit csinál, és használja a józan esztét.** Ne használja a szerszámgepet, ha fáradt vagy alkoholt, gyógyszert illetve más tudatmódosító szerek hatása alatt áll. A gép használata közben már egyetlen figyelmen kívül hagyás is súlyos személyi sérüléshez vezethet.
- **Használjon személyi védelmi eszközöket. Mindig viseljen védőszemüveget.** A védelmi felszerelések, mint például a pormaszk, a csúszásmentes biztonsági lábbelik, a védősisak vagy a felvédő megfelelő használata csökkenti a személyi sérüléseket.
- **Kerülje el a véletlen bekapcsolást.** A szerszám szállítása vagy felemelése, az áramellátás és/vagy akkumulátor csatlakoztatása előtt ellenőrizze, hogy a kapcsoló kikapcsolts állapotban van. Szerszámgepek szállítása a kapcsolón tartott ujjal vagy bekapcsolt szerszámgepek áram alá helyezése balesetekhez vezet.
- **A szerszámgepről bekapcsolás előtt távolítson el minden beállító kulcsot és csavarkulcsot.** Egy a szerszámgep forgó alkatrészén maradt beállító kulcs vagy csavarkulcs személyi sérülést eredményezhet.
- **Ne hajoljon ki túlságosan. Mindig tartson megfelelő testtartást és egyensúlyt.** Ez a szerszámgep jobb irányítását teszi lehetővé váratlan szituációkban.
- **Viseljen megfelelő ruházatot. Ne vegyen fel laza ruhát vagy ékszereket. A haját, a ruháját és a kesztyűjét tartsa távol a forgó alkatrészekről.** A laza ruházat, ékszerek vagy a hosszú haj beakadhatnak a mozgó alkatrészekbe.
- **Ha a gép el van látva porkivezetési vagy -gyűjtő berendezésekhez való csatlakozási lehetőséggel, akkor ügyeljen rá, hogy ezeket csatlakoztassák és megfelelően használják.** A porfogó használata csökkentheti a porral kapcsolatos veszélyeket.

**A SZERSZÁMGÉP HASZNÁLATA ÉS KARBANTARTÁSA**

- **Ne erőltesse a szerszámgepet. A feladathoz a megfelelő szerszámgepet használja.** A megfelelő szerszámgep jobb teljesítménnyel és sokkal biztonságosabban fog dolgozni olyan körülmények között, amilyenekre azt tervezték.
- **Ne használja a szerszámgepet, ha a kapcsoló nem**



**kapcsol be és ki.** Bármilyen szerszámgép veszélyes, amit a kapcsolóval nem lehet irányítani, ezért azt meg kell javítani.

- **Bármilyen beállítás, tartozékcsere elvégzése vagy a szerszámgép tárolása előtt húzza ki a szerszámgépet a hálózatból és/vagy vegye ki az akkumulátort a szerszámgépéből.** Az ilyen megelőző biztonsági óvintézkedések csökkentik a szerszámgép véletlen bekapcsolódásának kockázatát.
- **A használaton kívüli gépet gyerekek számára nem elérhető helyen tárolja, és ne hagyja, hogy a szerszámgépet vagy a kézikönyvet nem ismerő személyek használják a szerszámgépet.** Gyakorlatlan felhasználók kezében a szerszámgépek veszélyesebbek.
- **Tartsa megfelelő állapotban a szerszámgépeket.** Ellenőrizze a mozgó alkatrészek akadását vagy helytelen beállítását, az alkatrészek törését és minden más körülményt, ami hatással lehet a szerszámgép működésére. Ha sérült, a szerszámgépet használat előtt meg kell javítani. Sok balesetet a rosszul karbantartott szerszámgépek okoznak.
- **A vágószerszámok legyenek élesek és tiszták.** A megfelelően karbantartott, éles vágóélű vágószerszámok kevésbé akadnak be és könnyebben irányíthatók.
- **A szerszámgépet, a tartozékokat és a biteket stb. ezen utasításban leírtaknak megfelelően használja, figyelembe véve a munkakörülményeket és az elvégzendő feladatot.** A szerszámgép rendeltetésétől eltérő műveletekre való használata veszélyes helyzeteket eredményezhet.

#### AKKUMULÁTOROS SZERSZÁMGÉP HASZNÁLATA ÉS KARBANTARTÁSA

- **Csak a gyártó által megadott töltővel töltsen az akkumulátorokat.** Egy adott akkumulátortípushoz való töltő egy másik típusú akkumulátorral való használata tűzveszélyes lehet.
- **A szerszámokat csak a hozzájuk való akkumulátorokkal üzemeltesse.** Más akkumulátorok használata tűzveszélyes lehet, és sérüléseket okozhat.
- **Az akkumulátort használaton kívül tartsa távol más fém tárgyaktól, úgymint gemkapcsoktól, érméktől, kulcsoktól, szögektől, csavaroktól vagy más kisméretű fém tárgyaktól, amelyek rövidre zárhatják a két érintkezőt.** Az akkumulátor érintkezőinek rövidre zárása tüzet vagy égéseket okozhat.
- **Nem megfelelő körülmények esetén folyadék távozhat az akkumulátorból, kerülje az azzal való érintkezést.** Ha mégis érintkezik vele, öblítse le bő szappanos vízzel. Ha a folyadék szembe kerül, azonnal forduljon orvoshoz. Az akkumulátorból kifolyó folyadék irritációt vagy égéseket okozhat.

#### KARBANTARTÁS

- **A szerszámgépet csak szakképzett szervizszakemberrel szervizeltesse, csak azonos cserealkatrészeket használva.** Ez biztosítja, hogy a szerszámgép használata továbbra is biztonságos legyen.

#### SPECIÁLIS BIZTONSÁGI ELŐÍRÁSOK

- **Minden testrészét tartsa távol a vágókéstől.** Ne távolítsa el a levágott anyagot, és ne tartsa a levágni kívánt anyagot mozgó kések mellett. Az elakadt anyagtól való megtisztításkor ügyeljen arra, hogy a kapcsoló kikapcsolt állásban legyen. A sövényvágó használata közben már egy figyelmen kívül hagyott pillanat is komoly személyi sérüléshez vezethet.
- **A sövényvágót a fogantyúnál fogva, leállított vágókéssel szállítsa.** A sövényvágó szállításakor vagy tárolásakor mindig rakja fel a vágóeszköz burkolatát. A sövényvágó helyes kezelése lecsökkenti a vágókések okozta személyi sérülések bekövetkezésének lehetőségét.
- **A szerszámgépeket mindig a szigetelő fogófelületeiknél fogja, mert a vágóeszköz rejtett vezetékbe vagy a saját kábelébe vághat.** Az „élő” vezetékkel érintkező vágóeszköz következtében a szerszám fém alkatrészei áram alá kerülhetnek, minek következtében a kezelő áramütés érheti.

#### RENDELTETTÉSZERŰ HASZNÁLAT

- **Ez a termék csak otthoni vagy háztartási használatra készült.** A termék sövény, cserje és más hasonló növényzet vágására és nyírására szolgál.
- **Száraz, jól megvilágított környezetben kell használni.**
- **NEM használható fű, fák vagy ágak vágására.** Sövényvágáson kívül más célra nem használható.

#### KIEGÉSZÍTŐ BIZTONSÁGI ELŐÍRÁSOK

##### ELŐKÉSZÜLET

- **A vágandó területet tisztítsa meg minden használat előtt.** Távolítsa el az összes tárgyat, például a kábeleket, lámpákat, drótokat vagy zsinórokat, amelyek beakadhatnak a vágókésbe.
- **A területen ne legyenek gyerekek, báméskodók vagy háziállatok.** Tartsa a gyereket, a báméskodókat és a háziállatokat legalább a gép körüli 15 méteres sugáron kívül; a gép által kivetett tárgyak veszélyesebbek a báméskodókra nézve. Ha valaki a közelébe kerül, azonnal állítsa le a gépet.
- **Ne használja a gépet gyenge megvilágítás esetén.** Nappal vagy jó mesterséges megvilágításnál használja a gépet.
- **Használat előtt vizsgálja át a gépet.** Cserélje ki az esetleges sérült alkatrészeket. Ellenőrizze az akkumulátor szivárgását.



- **Ellenőrizze, hogy minden rögzítő és védőberendezés a helyén van és meg van húzva.** Cserélje ki a vágókést vagy bármilyen más alkatrészt, ha megrepedt, kicsorbult vagy megsérült. Bizonyosodjon meg róla, hogy a vágókés helyesen lett felszerelve és biztonságosan rögzítve van. Ennek figyelmen kívül hagyása a kezelő és a bámszokdók sérülését, valamint a gép károsodását okozhatja.
- **Soha ne próbáljon hiányos vagy nem engedélyezett módon módosított gépet használni.** Ha bármi hiányzik, addig ne működtesse a gépet, amíg nem pótolta a hiányzó alkatrészeket.

#### HASZNÁLAT

- **Ne használja a vágót felszerelt elülső fogantyú nélkül.** Mindkét kezét tartsa a fogantyúkon, amikor a gép használatban van.
- **A gép bekapcsolása előtt győződjön meg róla, hogy a vágókések semmivel nem fognak érintkezni.**
- **A gépet tartsa tisztán a sövény nyeseidékaitól és más anyagoktól.** Beakadhatnak a vágókések közé.
- Ha a gép idegen tárgyaknak ütközik vagy idegen tárgyak akadnak bele, azonnal állítsa le, vegye ki az akkumulátort, és ellenőrizze a károsodást. Ne működtesse a gépet megglazult vagy károsodott alkatrészekkel.
- **Mindig figyeljen a környezetére és legyen éber a lehetséges veszélyekre, amelyeket esetleg nem hall a gép zaja miatt.**
- A vibrációs szint a szerszámgép tényleges használat során eltérhet a nyilatkozatban szereplő teljes értéktől; ez függ a gép használatának módjától. Határozza meg a saját védelmét szolgáló óvintézkedéseket az adott használati körülmények között érvényes kitettség felméréseivel, figyelembe véve a használat teljes időtartamát, vagyis beleértve azokat az időszakokat, amikor a gép ki van kapcsolva, vagy bekapcsolt állapotban üresjáratban működik.
- Arról számoltak be, hogy a kéziszerszámok használata során fellépő vibráció bizonyos személyeknél hozzájárulhat az úgynevezett Raynaud-szindróma (Raynaud's Syndrome) nevű állapot kialakulásához. A tünetei lehetnek: az ujjak zsibbadása, elfehéredése, szúrások érzése, amelyek hidegnek kitéve gyakran felerősödnek. Az örökletes tényezők, a hidegnek kitettség és verejtékezés, a diéta, a dohányzás és munka közben alkalmazott fogások valószínűleg mind hozzájárulhatnak ezen tünetek megjelenéséhez. Jelenleg nem ismert, hogy pontosan mi, a vibráció, vagy az annak való kitettség mértéke lehet-e felelős az állapot kialakulásáért. A vibráció hatásainak csökkentése érdekében a kezelőnek be kell tartani az alábbi óvintézkedéseket:
  - Hideg időben tartsa melegen a testét. A gép használatakor viseljen kesztyűt a kéz és a csukló melegen tartásához. Arról számoltak be, hogy a hideg időjárásnak fontos szerepe van a Raynaud-szindróma kialakulásában.
- Bizonyos időtartamú használat után mindig végezzen gyakorlatokat a vérkeringés javításához.
- Gyakran tartson munkaszünetet. Korlátozza a napi munkaidőt.  
Ha ezen állapot bármelyik tünetét tapasztalja, azonnal hagyja abba a munkát, és tájékoztassa az orvosát a tünetekről.

#### KARBANTARTÁS

- **Szervizelőkor csak azonos cserealkatrészeket használjon.** Bármilyen más alkatrész használata veszélyt vagy a termék károsodását okozhatja.
- **A műanyag részek tisztításakor tartózkodjon a tisztítószer használatától.** A legtöbb műanyag érzékeny a különböző típusú kereskedelmi oldószerekre és azok használata esetén károsodhat. Egy tiszta ruhát használjon a kosz, por, olaj, kenőzsír, stb. eltávolítására.
- **Száraz helyen tárolja a gépet, elzárva vagy elég magasan ahhoz, hogy megelőzze az illetéktelen használatot és károsodást.** A terméket tartsa távol a gyerekektől vagy megfelelő gyakorlattal nem rendelkező személyektől.

#### KÖRNYEZETVÉDELME



Segítse elő az alapanyagok újrahasznosítását azzal, hogy nem helyezi el őket a háztartási szemétkben. Környezetvédelmi megfontolásból az elhasznált gépet és tartozékokat, valamint a csomagolóanyagokat szelektív módon kell gyűjteni.

#### SZIMBÓLUM



Óvintézkedések a biztonsága érdekében.



Megfelelőség a műszaki előírásoknak



Olvassa el a kezelési útmutatót és tartsa be az összes figyelmeztető és biztonsági utasítást.



Viseljen szem- és fülvédőt



A kivetett tárgyak visszapatlanhatnak és személyi sérülést, vagy anyagi kárt okozhatnak. Viseljen védőruhákat és lábbelit.



Viseljen nem csúszós, nehéz igénybevételekre tervezett kesztyűt.



A nézelődő személyek legyenek legalább 15 méteres távolságban.



Ne tegye ki esőnek, és ne használja nedves környezetben.



A kislejtezett elektromos termékeket nem szabad a háztartási hulladékkal együtt kidobni. Ezeket újra kell hasznosítani, ha van rá lehetőség. Az újrahasznosítással kapcsolatban érdeklődjön a helyi önkormányzatnál vagy a termék forgalmazójánál.

### IKONOK A KÉZIKÖNYVBEN



Biztonság



Kicsomagolás



A használat megkezdése



Áttekintés



Használat



Karbantartás



Ugrás a(z) #. oldalra



Tájékoztató



Biztonsági figyelmeztetés



Akkumulátor csatlakoztatása



Akkumulátor leválasztása



Kenőolaj



Retes



Szétnyitás



Viseljen védőkesztyűt



Ne érjen mozgó részhez



Külön értékesített alkatrészek és kiegészítők

**⚠ AVERTISMENT**

Acest aparat nu este destinat utilizării de către persoane (inclusiv copii) cu capacități reduse fizice, senzoriale sau mentale, sau fără experiență și cunoștințe, cu excepția cazului în care sunt supravegheați sau instruiți în privința folosirii aparatului de către o persoană responsabilă pentru siguranța lor. Copiii trebuie supravegheați pentru a nu avea posibilitatea să se joace cu acest dispozitiv.

**AVERTISMENTE GENERAL DE SIGURANȚĂ PRIVIND UNEALTA ELECTRICĂ****⚠ AVERTISMENT**

Citiți toate avertismentele și instrucțiunile de siguranță. Nerespectarea acestor avertismente și instrucțiuni poate conduce la șocuri electrice, incendii și/sau accidente grave.

**Păstrați aceste avertismente și instrucțiuni, pentru a le putea consulta ulterior.**

Termenul de "unealtă electrică" folosit în avertismente se referă la uneltele electrice alimentate de la rețea (cu cablu) sau cu acumulator (fără cablu).

**MEDIUL DE LUCRU**

- **Mențineți curată și bine iluminată zona de lucru.** Zonele dezordonate și întunecate prezintă pericol de accidente.
- **Nu operați cu unealta electrică în atmosfere explozive, precum în prezența lichidelor, gazelor sau a prafului inflamabil(e).** Uneltele electrice creează scântei care pot aprinde praful sau vaporii.
- **Țineți copiii și persoanele din jur la distanță în timpul operării unei unelte electrice.** Distragerea atenției vă poate face să pierdeți controlul.

**SIGURANȚĂ ELECTRICĂ**

- **Ștecărele uneltelor electrice trebuie să se potrivească cu priza. Nu modificați niciodată ștecărul în nici un fel. Nu folosiți niciodată adaptoare de ștecăr cu uneltele electrice cu împământare.** Ștecărele nemodificate și prizele potrivite reduc riscul de electrocutare.
- **Evitați contactul corpului cu suprafețele conectate la împământare, precum țevi, radiatoare, reșouri, mașini de gătit și frigider.** Există un risc crescut de electrocutare când corpul dumneavoastră are contact cu împământarea.
- **Nu expuneți uneltele electrice la ploaie sau umezeală.** Apa care intră într-o unealtă electrică va crește riscul de electrocutare.
- **Nu forțați cablul. Nu trageți niciodată uneltea electrică de cablul de alimentare pentru a o transporta, a o trage sau a scoate ștecărul din priză.**

**Țineți cablul de alimentare departe de căldură, ulei, muchii ascuțite sau piese în mișcare.** Cablurile deteriorate sau încurcate cresc riscul de electrocutare.

- **Atunci când lucrați cu o unealtă electrică în aer liber, folosiți un prelungitor adecvat pentru utilizarea în aer liber.** Folosirea unui prelungitor adecvat pentru utilizarea în aer liber reduce riscul de electrocutare.
- **În cazul în care operarea unei unelte electrice într-o zonă umedă nu poate fi evitată, folosiți o alimentare protejată cu un dispozitiv de curent rezidual (RCD).** Utilizarea unui RCD reduce riscul de electrocutare.

**SIGURANȚĂ PERSONALĂ**

- **Fiți vigilenți, fiți atenți la ceea ce faceți, acționați cu simț practic când operați o unealtă electrică. Nu folosiți uneltea electrică în timp ce sunteți obosit sau sub influența drogurilor, a alcoolului sau a medicamentelor.** Un moment de neatenție în timpul operării uneltelor electrice poate cauza vătămare personală gravă.
- **Utilizați echipament personal de protecție. Purtați întotdeauna ochelari de protecție.** Echipamentele de protecție, precum masca de praf, încălțăminte de protecție antiderapantă, casca sau protecția auditivă, folosite în condiții adecvate, vor reduce riscul rănilor.
- **Prevenirea pornirii neintenționate. Asigurați-vă că comutatorul este în poziția oprit înainte deconectarea la sursa de alimentare și / sau la acumulator, ridicarea sau transportul uneltei.** Transportarea uneltelor electrice cu degetul pe comutator sau punerea sub tensiune a uneltelor electrice care au comutatorul în poziția pornit predisune la accidente.
- **Îndepărtați orice cheie de reglare înainte de a porni uneltea.** O cheie sau rămasă atașată de o piesă rotativă a uneltei electrice poate cauza vătămări corporale.
- **Nu vă aplecați excesiv. În timpul operării dispozitivului, păstrați-vă în permanență echilibrul și stabilitatea.** Acest lucru permite un mai bun control al uneltei electrice în situații neașteptate.
- **Îmbrăcați-vă corespunzător. Nu purtați haine largi sau bijuterii. Mențineți părul, hainele și mânușile departe de piesele în mișcare.** Hainele largi, bijuteriile sau părul lung pot fi prinse de piesele aflate în mișcare.
- **Dacă sunt prevăzute dispozitive pentru conectarea facilităților de extracție și de colectare a prafului, asigurați-vă că acestea sunt conectate și folosite corect.** Utilizarea colectării prafului poate reduce riscurile legate de praf.

**FOLOSIREA ȘI ÎNTREȚINEREA UNELTEI ELECTRICE**

- **Nu forțați uneltea electrică. Folosiți uneltea electrică corectă pentru aplicație.** Uneltea electrică corectă va funcționa mai bine și mai sigur la viteza pentru care a fost proiectată.
- **Nu folosiți uneltea electrică dacă comutatorul nu o poate porni și opri.** Orice unealtă electrică, care nu poate fi controlată cu comutatorul este periculoasă și



trebuie reparată.

- **Deconectați ștecărul de la sursa de alimentare și / sau acumulatorul de la unalta electrică înainte de a efectua orice reglaje, a schimba accesoriilor sau de a stoca unelte electrice.** Astfel de măsuri preventive de siguranță reduc riscul de pornire accidentală a uneltei electrice.
- **Nu lăsați uneltele electrice la îndemâna copiilor și nu permiteți persoanelor nefamiliarizate cu unalta electrică sau cu aceste instrucțiuni să folosească unalta.** Uneltele electrice sunt periculoase în mâinile utilizatorilor neinstruiți.
- **Întrețineți uneltele electrice.** Verificați alinierea sau lipirea pieselor în mișcare, spargerea pieselor, precum și orice altă stare care poate afecta funcționarea uneltei electrice. Dacă este deteriorată, solicitați repararea uneltei înainte de utilizare. Multe accidente sunt cauzate de unelte electrice întreținute necorespunzător.
- **Păstrați uneltele de tăiere ascuțite și curate.** Uneltele de tăiere corect întreținute, cu muchii de tăiere ascuțite au o probabilitate mai redusă de lipire și sunt mai ușor de controlat.
- **Folosiți unalta electrică, accesoriile și burghiile etc. în conformitate cu aceste instrucțiuni, ținând cont de condițiile de lucru și de lucrarea care urmează să fie efectuată.** Utilizarea uneltei electrice pentru alte operații decât cele preconizate poate duce la situații periculoase.

#### FOLOSIREA ȘI ÎNTREȚINEREA MAȘINI CU ACUMULATOR

- **Reîncărcați numai cu încărcătorul specificat de producător.** Un încărcător destinat unui anumit tip de acumulator este folosit la încărcarea altor acumulatori există pericolul de incendii.
- **Folosiți uneltele electrice numai cu acumulatorii indicați.** Utilizarea oricărui alți acumulatori poate crea un risc de vătămare și de incendii.
- **Atunci când acumulatorul nu este în uz, păstrați-l departe de alte obiecte metalice, cum ar fi agrafe de birou, monede, chei, cuie, șuruburi sau alte obiecte metalice mici, care pot face o conexiune de la o bornă la alta.** Scurtcircuitarea bornelor bateriei poate provoca arsuri sau incendii.
- **Ca urmare a folosirii necorespunzătoare, din acumulator se poate scurge lichid; evitați contactul cu acesta.** În cazul unui contact accidental, spălați cu săpun și apă din abundență. În cazul contactului lichidului cu ochii, consultați un medic. Lichidul care iese din acumulator poate provoca iritații sau arsuri.

#### ÎNȚEȚINERE

- **Solicitați efectuarea lucrărilor de service la unalta dvs. electrică numai de către o persoană calificată în reparații, folosind numai piese de schimb identice.** Acest lucru va garanta că siguranța uneltei electrice este menținută.

#### REGULI DE SIGURANȚĂ SPECIFICE

- **Țineți toate părțile corpului la distanță de lama cuțitului. Nu îndepărtați materialul tăiat și nu țineți materialul ce urmează a fi tăiat, atunci când lamele sunt în mișcare.** Asigurați-vă că comutatorul este oprit, atunci când curățați materiale blocate. Un moment de neatenție în timpul operării foarfecei de grădină poate conduce la vătămări personale grave.
- **Transportați foarfece de grădină de mână cu lama cuțitului oprită. Atunci când transportați sau depozitați foarfece de grădină, întotdeauna fixați capacul dispozitivului de tăiere.** Manipularea adecvată a foarfecei de grădină va reduce posibilele vătămări personale cauzate de lamele cuțitului.
- **Țineți unalta de tăiere numai de suprafețele de prindere izolate deoarece lama cuțitului poate intra în contact cu fire ascunde sau cu propriul cablu.** Lamele de tăiere care intră în contact cu un conductor sub curent pot expune la curent părțile metalice ale uneltei electrice și pot conduce la electrocutarea operatorului.

#### UTILIZARE PREVĂZUTĂ

- Acest produs este destinat utilizării domestice. Este destinat pentru tăierea și îngrijirea gardurilor vii, a arbuștilor și a vegetației similare.
- Trebuie folosit în zone uscate și bine iluminate.
- NU este destinat pentru tăierea ierbii, a copacilor sau a ramurilor. Nu trebuie folosit în nici un alt scop, altul decât tăierea gardurilor vii.

#### REGULI DE SIGURANȚĂ SUPLIMENTARE

##### PREGĂTIRE

- **Curățați zona de tăiere înainte de fiecare utilizare.** Îndepărtați toate obiectele, precum cabluri, becuri, fire sau cordoane care s-ar putea prinde în lama de tăiere.
- **Îndepărtați copiii, spectatorii și animalele de companie din zonă.** Pe cât posibil, țineți copiii, spectatorii și animalele de companie la o distanță de 15 m; în continuare, există posibilitatea ca spectatorii să fie expuși unor riscuri din cauza obiectelor aruncate. Dacă sunteți sesizat, opriți imediat unitatea.
- **Nu utilizați în condiții de iluminare necorespunzătoare.** Utilizați unitatea numai la lumina zilei sau la o lumină artificială suficientă.
- **Inspectați unitatea înainte de utilizare.** Înlocuiți toate piesele deteriorate. Verificați dacă există scurgeri la nivelul acumulatorului.
- **Asigurați-vă că toate elementele de fixare și de protecție sunt în locul corespunzător și în siguranță.** Înlocuiți lamele de tăiere sau orice alte componente care prezintă fisuri, care sunt ciobite sau deteriorate. Asigurați-vă că lama de tăiere este instalată corespunzător și fixată în siguranță. În caz contrar, acest lucru poate conduce la vătămarea operatorului și





a spectatorilor, precum și la deteriorarea unității.

- **Nu încercați niciodată să utilizați o mașină incompletă sau una echipată cu modificări neautorizate.** Dacă lipsește ceva, nu operați până când părțile lipsă nu sunt înlocuite.

#### UTILIZARE

- **Nu folosiți foarfeca fără a avea instalat mânerul din față.** Țineți-vă ambele mâini pe mânere, atunci când unitatea este în funcțiune.
- **Înainte de a porni unitatea, asigurați-vă că lamele de tăiere nu vor intra în contact cu nici un obiect.**
- **Păstrați unitatea curată, fără reziduuri din gardurile vie sau alte materiale.** Se pot prinde în lamele de tăiere.
- Dacă mașina nu mai funcționează sau se prinde în obiecte străine, oprii imediat unitatea, îndepărtați acumulatorul și verificați dacă s-au produs deteriorări. Nu operați unitatea dacă prezintă componente libere sau deteriorate.
- **Întotdeauna fiți conștient de elementele ambientale și fiți atent la posibilele pericole pe care este posibil să nu le auziți din cauza zgomotului produs de mașină.**
- Nivelul de vibrații în timpul folosirii efective a sculei electrice poate diferi de valoarea totală declarată în funcție de modurile în care este utilizată mașina. Identificați măsurile de siguranță pentru a vă proteja, pe baza estimării expunerii la condițiile efective de utilizare, luând în considerare toate etapele ciclului de operare, precum momentele în care unealta este oprită și atunci când funcționează în gol, suplimentar momentului declanșării.
- S-a raportat faptul că vibrațiile produse de unelte manuale pot contribui, la anumite persoane, la o afecțiune denumită Sindromul Raynaud. Simptomele pot include furnicăături, amorteala și albirea degetelor, care apare, de obicei, după expunerea la frig. Factori ereditari, expunerea la frig și umiditate, dieta, fumatul și practicile de muncă contribuie la dezvoltarea acestor simptome. În prezent nu se cunoaște care, dacă este cazul, vibrații sau grad de expunere pot contribui la această stare. Există măsurător care pot fi efectuate de către operator pentru a reduce efectele de vibrațiilor:
  - a. Păstrați-vă temperatura corporală ridicată pe vreme rece. Când operați unitatea purtați mănuși pentru a vă menține mâinile și încheieturile la căldură. S-a constatat că vremea rece este un factor major care contribuie la sindromul Raynaud.
  - b. După fiecare perioadă de operare, trebuie făcute exerciții pentru a crește circulația sângelui.
  - c. Trebuie făcute pauze la intervale de timp regulate. Limitați expunerea zilnică.
 Dacă sunt experimentate oricare dintre simptomele acestei afecțiuni, trebuie întrerupt utilizarea și consultat un medic.

#### ÎNTREȚINEREA

- **Când se efectuează service-ul folosiți doar piese de schimb identice.** Folosirea oricăror altor piese poate crea pericol sau cauza deteriorarea produsului.
- **Evitați să folosiți solvenți pentru curățarea pieselor din plastic.** Majoritatea pieselor din plastic sunt susceptibile să se deterioreze de la tipurile diferite de solvenți comerciali și pot fi deteriorate. Utilizați cărpe curate pentru a îndepărta praful, uleiul, vaselina etc.
- **Depozitați unitatea într-un loc uscat, fie încluiat, fie la înălțime, pentru a preveni utilizarea neautorizată sau deteriorarea produsului.** Nu țineți la îndemână copiilor sau a persoanelor neinstruite.

#### PROTECȚIA MEDIULUI ÎNCONJURĂTOR



Reciclați materiile prime în loc să le aruncați la gunoi, împreună cu deșeurile menajere. Pentru a proteja mediul înconjurător, mașina, accesoriile acesteia și ambalajele trebuie triate.

#### SIMBOL



Precauții referitoare la siguranța dumneavoastră.



Conformitate cu reglementările tehnice



Citiți manualul de operare și respectați toate avertismentele și instrucțiunile privind siguranța.



Purtați protecție pentru ochi și urechi



Obiectele aruncate pot ricoșa și conduce la vătămări personale sau la deteriorarea proprietății. Purtați haine și cizme de protecție.



Purtați mănuși care nu alunecă, destinate pentru operațiuni grele.



Țineți trecătorii la o distanță de cel puțin 15m.



Nu expuneți aparatul la ploaie și nu îl folosiți în spații ce prezintă umezeală.



Deșeurile produselor electrice nu trebuie să fie înclăturate împreună cu deșeurile casnice. Vă rugăm să reciclați acolo unde există facilități. Verificați la autoritatea dvs locală sau la vânzător pentru sfaturi privind reciclarea.



PICTOGRAME ÎN ACEST MANUAL



Siguranță



Dezambalarea



Noțiuni de bază



Imagine de ansamblu



Utilizare



Întreținerea



Salt la pagina nr.



Informații



Avertizare de siguranță



Conectare acumulator



Deconectați acumulatorul



Agent de lubrifiere



Piedică



Deblocare



Purtați ochelari de protecție



Nu atingeți lamele aflate în mișcare



Piese sau accesorii vândute separat

**⚠ BRĪDINĀJUMS**

Šī ierīce nav paredzēta cilvēku (ieskaitot bērnus) ar ierobežotām fiziskām, sensorām vai garīgām spējām vai nepieredzējušu un neapmācītu personu lietošanai, ja vien tās nav saņēmušas norādījumus par ierīces lietošanu vai neatrodas personas, kas atbild par viņu drošību, uzraudzībā. Jāuzrauga bērni, lai nodrošinātu, ka viņi nespēlējas ar ierīci.

**VISPĀRĒJI ELEKTROINSTRUMENTU DROŠĪBAS BRĪDINĀJUMI****⚠ BRĪDINĀJUMS**

Izlasiet visus drošības brīdinājumus un norādījumus. Brīdinājumu un norādījumu neizpildīšana var izraisīt elektrisko triecienu, aizdegšanos un/vai smagu ievainojumu.

Brīdinājumus un instrukcijas saglabājiet turpmākai uzziņai.

Nosaukums "elektroinstruments" brīdinājumos attiecas uz jūsu elektrisko (ar vadu) elektroinstrumentu vai ar akumulatoru darbināmo (bez vada) elektroinstrumentu.

**DARBA VIETA**

- Turiet darba vietu tīru un labi apgaismotu. Pārblīvētas un tumšas vietas izraisa negadījumus.
- Nedarbiniet elektroinstrumentus sprādzienbīstamā vidē, piemēram, degošu šķidrumu, gāzu vai putekļu klātbūtnē. Elektroinstrumenti rada dzirksteles, kas var aizdedzināt putekļus vai gāzes.
- Neļaujiet bērniem un blakusstāvētājiem tuvoties darbā esošiem elektroinstrumentiem. Izklaidības dēļ jūs varat zaudēt kontroli.

**ELEKTRODROŠĪBA**

- Elektroinstrumenta kontaktdakšai jāatbilst kontaktligzdai. Nekad nepārveidojiet kontaktdakšu. Sazemētiem elektroinstrumentiem nelietojiet pārejas ligzdas. Nepārveidotas kontaktdakšas un atbilstošas kontaktligzdas samazinās elektriskā trieciena risku.
- Nepieļaujiet ķermeņa kontaktu ar sazemētām virsmām, piemēram, caurulēm, radiatoriem, pavardiem un saldētavām. Ja jūsu ķermenis ir sazemēts, pastāv palielināts elektriskā trieciena risks.
- Nepakļaujiet elektroinstrumentus lielumam vai mitrumam apstākļiem. Ūdens iekļūšana elektroinstrumentā palielina elektriskā trieciena risku.
- Neizmantojiet kabeli nepareizi. Nekad neizmantojiet vadu, lai nestu, vilktu elektroinstrumentu vai atvienotu kontaktdakšu. Turiet kabeli tālu no siltuma avota, eļļas, asiemeņiem vai kustīgām detaļām. Bojāts vai savērts kabelis palielina elektriskā

trieciena iespēju.

- Strādājot ar elektroinstrumentu ārpus telpām, lietojiet āra lietošanai piemērotu pagarinātāju. Elektriskā trieciena risku samazina lietošanai ārpus telpām piemērota kabeļa izmantošana.
- Ja elektroinstruments ir jālieto mitrās telpās, izmantojiet strāvas noplūdes automātslēdzi (RCD) barošanas vadā. Palielināta strāvas ierīces izmantošana samazina elektriskā trieciena risku.

**PERSONISKĀ DROŠĪBA**

- Uzmanieties darba laikā un izmantojiet veselo saprātu, darbojoties ar elektroinstrumentu. Neizmantojiet elektroierīci, ja esat noguris vai narkotisko vielu, alkohola vai medikamentu ietekmē. Neuzmanības brīdis, strādājot ar elektroinstrumentiem, var izraisīt smagus ievainojumus.
- Lietojiet personīgo aizsargaprīkojumu. Vienmēr lietojiet aizsargbrilles. Aizsargaprīkojums, piemēram, putekļu maska, neslīdoši aizsargapavi, aizsargķivere vai ausu aizsargi, kas lietoti atbilstošos apstākļos, samazina personas ievainojumu iespēju.
- Nepieļaujiet nejausu iedarbināšanu. Pirms pievienot enerģijas avotam un/vai akumulatoram, pacelt un pārvietot darbarīku, pārliecinieties, ka slēdzis ir izslēgtā stāvoklī. Elektroinstrumentu pārmēģināšana, turot pirkstu uz slēdža vai ieslēgtu elektroinstrumentu pārmēģināšana var izraisīt nelaimes gadījumus.
- Noņemiet visas regulēšanas uzgriežņu atslēgas pirms elektroierīces ieslēgšanas. Uzgriežņu atslēga vai atslēga, kas palikusi piestiprināta pie elektroinstrumenta rotējošās detaļās, var izraisīt personas ievainojumu.
- Nepersitēpkite. Visu laiku stāviet stingri un stabili. Tas ļauj labāk vadīt elektroinstrumentu negaidītās situācijās.
- Apģērbieties pareizi. Nevalkājiet vaļīgu apģērbu vai rotaslietas. Turiet savus matus, apģērbu un cimdus tālu no kustīgām detaļām. Vaļīgs apģērbs, rotaslietas vai gari mati var tikt ierauti starp kustīgām detaļām.
- Ja ierīce ir aprīkota ar putekļu nosūcēja un savācēja pievienojumu, pārliecinieties, ka tas ir pievienots un tiek pareizi lietots. Putekļu savācēja lietošana var samazināt putekļu izraisītos riskus.

**ELEKTROINSTRUMENTU LIETOŠANA UN APRŪPE**

- Nespiediet elektroinstrumentu ar spēku. Izmantojiet savam darbam atbilstošu elektroierīci. Pareizais elektroinstruments veiks darbu labāk un drošāk ar ātrumu, kādam ticis konstruēts.
- Nelietojiet elektroinstrumentu, ja ar slēdzi to nevar ieslēgt un izslēgt. Ja elektroinstrumentu nevar vadīt ar slēdzi, tas ir bīstams un jāremontē.
- Atvienojiet kontaktdakšu no enerģijas avota un/vai akumulatoru no elektroinstrumenta pirms veikt jebkādas regulējumus, piederumu maiņu vai novietot glabāšanai elektroinstrumentus. Šādi



profilakses pasākumi samazina elektroierīces nejaušas iedarbināšanas iespēju.

- **Glabājiet neizmantotus elektroinstrumentus bērniem nepieejamās vietās un neļaujiet neapmācītām personām darboties ar elektroinstrumentiem.** Elektroinstrumenti ir bīstami neapmācītu personu rokās.
- **Apkopt elektroinstrumentus.** Pārbaudiet kustīgo detaļu savienojumu pareizību, detaļu berzi un citus apstākļus, kas var ietekmēt elektroinstrumenta darbu. Ja elektroinstrumenti ir bojāti, pirms lietošanas veiciet tā remontu. Daudzus negadījumus izraisa slikti apkopti elektroinstrumenti.
- **Turiet griezējriekus asus un tīrus.** Pareizi apkopti griezējriekšņi ir asāki un drošāki.
- **Izmantojiet elektroierīci, piederumus, darbinstrumentus u.c. saskaņā ar šiem norādījumiem, ņemiet vērā darba apstākļus un veicamo darbu.** Elektroinstrumenta izmantošana neparedzētu darbību veikšanai var radīt bīstamu situāciju.

#### AR AKUMULATORU DARBINĀMU IERĪČU LIETOŠANA UN KOPŠANA

- **Uzlādējiet tikai ar ražotāja noteikto lādētāju.** Lādētājs, kas paredzēts lietošanai ar viena veida akumulatoru, var būt ugunsbīstams, ja to izmanto ar citu akumulatoru.
- **Lietojiet elektriskos instrumentus tikai ar konkrētajai ierīcei paredzēto akumulatoru.** Jebkura cita akumulatora lietošana var radīt ievainojumu un ugunsgrēka risku.
- **Kad nelietojat akumulatoru, neturiet to citu metāla priekšmetu tuvumā, piemēram: papīra saspraudes, monētas, atslēgas, naglas, skrūves vai citi sīki metāla priekšmeti, kas var veidot savienojumu starp spailēm.** Akumulatora spaiļu īsslēgums var radīt aizdegšanos vai ugunsgrēku.
- **Nepareizas rīcības gadījumā no akumulatora var izkļūt šķidrums; izvairieties no saskares ar to.** Ja nejauši pieskaraties, bagātīgi noskalojiet ar ziepēm un ūdeni. Ja šķidrums iekļūst acīs, nekavējoties meklējiet medicīnisko palīdzību. No akumulatora izkļūvušais šķidrums var izraisīt kairinājumu vai apdegumus.

#### APKOPE

- **Vai jūsu elektroinstrumentu apkalpo kvalificēts personāls, izmantojot tikai identiskas rezerves daļas.** Tas nodrošinās elektroinstrumenta drošības saglabāšanu.

#### NOTEIKTI DROŠĪBAS NOTEIKUMI

- **Turiet visas ķermeņa daļas prom no asmens.** Nenonemiet sagrieztus materiālus un neturiet griešanai paredzētus materiālus, kad asmeņi atrodas kustībā. Pārļiecinieties, vai slēdzis ir

izslēgts pirms atbrīvošanās no iestrēgušiem materiāliem. Neuzmanība kaut uz mirkli dzīvzogu trimmera lietošanas laikā var izraisīt nopietnus savainojumus.

- **Pārnēsājiet dzīvzogu trimmeri aiz roktura un ar apturētu asmeni.** Pārvietojot vai novietojot dzīvzogu trimmeri, vienmēr uzlieciet griešanas ierīces pārsegu. Pareiza rīkošanās ar dzīvzogu trimmeri samazinās iespējamu savainojumu gūšanu no asmeņiem.
- **Turiet elektroinstrumentu tikai aiz izolētajām satveršanai paredzētajām virsmām, jo asmens var nonākt saskarē ar apslēptu elektroinstalāciju vai pats ar savu kabeli.** Ar spriegumam pieslēgtu vadu saskarē nonākuši asmeņi var radīt spriegumu elektroinstrumenta atklātajās metāla daļās un pakļaut operatoru elektrošokam.

#### PAREDZĒTAIS LIETOJUMS

- Šis ražojums ir paredzēts mājas vai māsasaimniecības lietošanai. Tas ir paredzēts dzīvzogu, krūmu un tamlīdzīgas veģetācijas griešanai un apcirpšanai.
- To ieteicams lietot sausos, labi apgaismotos apstākļos.
- Tas NAV paredzēts zāles, koku un zaru griešanai. To nav ieteicams lietot jebkādiem citiem nolūkiem, izņemot dzīvzogu griešanu.

#### PAPILDU DROŠĪBAS NOTEIKUMI

##### SAGATAVOŠANA

- **Pirms katras lietošanas atbrīvojiet griezamo apkārtni.** Atbrīvojieties no visiem priekšmetus, piemēram, kabeļiem, gaismām, vadiem vai auklām, kas var sapīties asmenī.
- **Atbrīvojiet apkārtni no bērniem, skatītājiem un dzīvniekiem.** Neļaujiet bērniem, skatītājiem un dzīvniekiem atrasties tuvāk par vismaz 15m rādiusu; turklāt skatītāji var būt pakļauti riskam no mestiem priekšmetiem. Ja jums kāds tuvojas, nekavējoties apturiet iekārtu.
- **Nelietojiet slīktā apgaismojumā.** Lietojiet iekārtu tikai dienasgaismā vai labā mākslīgajā apgaismojumā.
- **Pirms lietošanas pārbaudiet iekārtu.** Nomainiet bojātās detaļas. Pārbaudiet sūces akumulatora komplektā.
- **Pārļiecinieties, vai visi stiprinājumi un aizsargi ir savā vietā un ir droši.** Apmainiet asmeņus vai citas detaļas, kas ir iepļūsušas, iešķeltas vai bojātas. Pārļiecinieties, vai asmens ir pareizi uzstādīts un cieši nostiprināts. Pretējā gadījumā var rasties savainojumi operatoram un skatītājiem, kā arī rasties bojājumi iekārtai.
- **Nekad nemēģiniet lietot nepilnīgu iekārtu vai iekārtu, kas aprīkota ar neatļautu modifikāciju.** Ja kādas detaļas iztrūkst, nelietojiet iekārtu, kamēr trūkstošās detaļas nav apmainītas.

**EKSPLOATĀCIJA**

- **Nelietojiet trimmeri, ja priekšējais rokturis nav savā vietā.** Turiet abas rokas uz rokturiem, kad iekārta tiek lietota.
- **Pirms iekārtas ieslēgšanas pārlicinieties, vai asmeņi ar neko nesaskarsies.**
- **Uzturiet iekārtu tīru un dzīvzogu atgriezumam un citiem materiāliem.** Tie var iestrēgt asmeņos.
- Ja iekārta uzduzas vai sapinas ar svešķermeņiem, nekavējoties apturiet iekārtu, izņemiet akumulatora komplektu un pārbaudiet bojājumus. Nedarbiniet iekārtu, kurai ir vaļīgas vai bojātas detaļas.
- **Vienmēr apzinieties savu apkārtni un pievērsiet vērību iespējamam apdraudējumam, kurus varat nesadzirdēt iekārtas trokšņa dēļ.**
- Vibrācijas līmenis faktiskajā ierīces lietošanas laikā var atšķirties no nosauktās kopējās vērtības, atkarībā no veida, kā ierīce tiek lietota. Nosakiet drošības pasākumus, lai sevi aizsargātu, balstoties uz saskares ilguma novērtējumu atbilstoši lietošanas apstākļiem, ņemot vērā visas lietošanas cikla daļas, tostarp laikus, kad instruments tiek izslēgts un kad tas darbojas tukšgaitā papildus darbināšanas laikam.
- Ir ticis ziņots, ka vibrācijas no rokas instrumentiem atsevišķos cilvēkos var veicināt kaiti, ko sauc par Reino sindromu. Simptomi var ietvert pirkstu tīkšķēšanu, nejutīgumu un nobālēšanu, parasti aukstā laikā. Tiek uzskatīts, ka tradicionālie faktori, aukstums un mitrums, uzturs, smēķēšana un darba prakse sekmē šo simptomu attīstību. Pašlaik nav zināms, vai vibrācija (ja tāda ir) vai tās palielināšanās var veicināt šo stāvokli. Operatori var veikt pasākumus, lai iespējami samazinātu vibrācijas efektu:
  - Aukstā laikā ķermenim jābūt siltam. Darbinot ierīci, nēsājiet cimdus, lai rokas un plaukstu locītavas būtu siltas. Ir pētījumi, ka auksts laiks ir galvenais faktors, kas veicina Reino sindromu.
  - Ik pēc laika apturiet darbu un veiciet vingrinājumus, kas uzlabo asins cirkulāciju.
  - Strādājot jābūt biežiem pārtraukumiem. Ierobežojiet iedarbības ilgumu dienā.

Ja jūs izjūtat kādu no šiem simptomiem, nekavējoties apturiet ierīces lietošanu un sazinieties ar ārstu par šiem simptomiem.

**APKOPE**

- **Sugedusias detales keiskite tik originaliomis detalėmis.** Kitų detalių naudojimas gali sukelti pavojų ar sugadinti prietaisą.
- **Trot plastmasas detaļas, nelietojiet šķīdinātājus.** Komerציניai tirpikļai lengvai pažeidzīa daugelį plastikinių daļių paviršū ir gali jas apgadinti. Lietojiet tīru audumu, lai notīrītu netīrumus, putekļus, smērvielas u.c.
- **Turiet iekārtu sausā vietā, kas ir aizslēgta vai atrodas augstu, lai novērstu neatļautu lietošanu vai bojājumus.** Neturiet bērniem vai neapmācītiem

cilvēkiem sasniedzamā vietā.

**VIDES AIZSARDZĪBA**

Tā vietā, lai materiālus izmestu, nododiet tos atkārtotai realizācijai. Mašīna, aksesuāri un iepakojums ir jāsašķiro un jānodod videi draudzīgā atkārtotas pārstrādes vietā.

**SIMBOLS**

Piesardzības pasākumi, kas attiecas uz jūsu drošību.



Atbilstība tehniskajam noteikumam



Izlasiet operatora rokasgrāmatu un ievērojiet visus brīdinājumus un drošības noteikumus.



Valkājiet aizsargbrilles un dzirdes aizsargaprīkojumu



Sviesti priekšmeti var atlēkt un izraisīt savainojumus vai īpašuma bojājumus. Valkājiet aizsargapģērbu un aizsargapavus.



Valkājiet neslidošus darba cimdus.



Neļaujiet skatītājiem atrasties tuvāk par 15m.



Nepakļaujiet lietum vai mitriem apstākļiem.



Izlietotie elektroprodukti nedrīkst tikt izmesti kopā ar mājāsaimniecības atkritumiem. Lūdzu, nododiet tos attiecīgajās atkārtošanas vietās. Sazinieties ar savu vietējo varas pārstāvi vai izplatītāju, lai noskaidrotu, kur iespējama atkārtota pārstrāde.

**IKONAS ŠAJĀ ROKASGRĀMATĀ**

Drošība



Izsaiņošana



Darba sākšana



Pārskats



Eksploatācija



Apkope



Ejiet uz #.Lapu



Informācija



Drošības brīdinājums



Pievienojiet akumulatoru



Atvienojiet akumulatoru



Smēreļļa



Bloķētājs



Atbloķēt



Valkājiet aizsargcimdus



Neaiztieciest kustīgu asmeni



Atsevišķi nopērkamās daļas vai piederumi

**⚠ ĮSPĖJIMAS**

Šis prietaisas nėra skirtas naudotis žmonėms (įskaitant vaikus) su fizine, sensorine ar protine negalia, nepakankamomis žiniomis ar patirtimi naudojančiais tokiais prietaisais, nebent juos prižiūrėtų ir tinkamai naudotis šiuo prietaisu apmokytų asmuo, atsakingas už jų saugą. Pasirūpinkite, kad vaikai nežaistų su šiuo prietaisu.

**BENDRI ELEKTRINIO ĮRANKIO SAUGOS ĮSPĖJIMAI****⚠ ĮSPĖJIMAS**

Perskaitykite visus saugos įspėjimus ir visą instrukciją. Įspėjimų ir instrukcijų nesilaikymas gali sukelti elektros smūgį, gaisrą ir (ar) rimtus sužeidimus.

Saugokite šiuos įspėjimus ir nurodymus, kad galėtumėte vadovautis jais vėliau.

Įspėjimuose nurodytas terminas „elektrinis įrankis“ reiškia elektrinio įrankio naudojimą, jį prijungus prie maitinimo tinklo (laidu) arba maitinimo baterijos (belaids).

**DARBO APLINKA**

- Darbo vieta turi būti švari ir gerai apšviesta. Nelaimingi atsitikimai įvyksta netvarkingose ar tamsiose vietose.
- Nenaudokite elektrinių įrankių, jei šalia yra degios ir sprogti galinčios medžiagos (skysčiai, dujos ar dulkės). Elektriniai įrankiai kibirkščiuoja ir gali uždegti dulkes arba garus.
- Neleiskite vaikams ir šalia esantiems asmenims būti šalia įjungto elektrinio įrankio. Išsiblaškę galite prarasti kontrolę.

**ELEKTROS SAUGA**

- Elektrinio įrankio kištukai turi atitikti kištukinį lizdą. Niekada nekeiskite kištuko. Su įžemintais (įžeminimo) elektriniais įrankiais niekada nenaudokite kištukų adapterių. Nepakeisti kištukai ir atitinkantys lizdai sumažina elektros smūgio pavojų.
- Stenkitės nesiliesti prie įžemintų ar įžeminimo paviršių (vamzdžių, radiatorių, grandinių / viryklių, šaldytuvų). Įžeminus savo kūną, padidės elektros smūgio pavojus.
- Saugokite elektrinius įrankius nuo lietaus ar drėgmės. Dėl vandens, patekusio į elektrinį įrankį, padidėja elektros smūgio pavojus.
- Laidą naudokite pagal jo paskirtį. Niekada jo nenaudokite elektriniams įrankiams pernešti, tempti ar išjungti. Saugokite maitinimo laidą nuo karščio, tepalų, aštrių kampų ir judančių detalių. Pažeisti ar supainioti laidai padidina elektros smūgio galimybę.

- Dirbdami su elektriniu įrankiu lauke, naudokite tik lauke naudoti skirtus ilginamuosius laidus. Naudojant tinkamą laukui laidą sumažinama elektros smūgio tikimybė.
- Jei būtina naudotis elektriniu įrankiu drėgnomis oro sąlygomis, naudokite likutinės srovės prietaisą (RCD). Naudojant RCD sumažinama elektros smūgio tikimybė.

**ASMENINĖ SAUGA**

- Būkite budrus ir stebėkite, ką darote, bei sąmoningai naudokite elektrinį įrankį. Nesinaudokite įrankiu, kai esate pavargę ar paveikti narkotinių medžiagų, alkoholio ar vaistų. Neatidumas darbo su elektriniu įrankiu metu gali sukelti sunkius sužeidimus.
- Naudokite asmeninės apsaugos įrangą. Visada dėvėkite akių apsaugos priemones. Atitinkamomis sąlygomis naudojamos apsaugos priemonės, pvz. dulkių kaukė, neslystantys apsauginiai batai, šalmas ar apsaugos ausims, sumažina asmeninių sužeidimų pavojų.
- Saugokitės, kad įrankis netyčia neįsijungtų. Įsitikinkite, kad prieš prijungiant įrankį prie maitinimo šaltinio ir (ar) baterijos, pakeliant ar nešant įrankį, jungiklis yra išjungtas. Nešant elektrinį įrankį, uždėjus pirštą ant jungiklio, arba elektrinį įrankį, kurio jungiklis yra įjungtoje padėtyje, gali įvykti nelaimingas atsitikimas.
- Prieš įjungiant elektrinį įrankį, išimkite derinimo raktą ar veržliaraktį. Jei juos paliksite pridtus prie besisukančios įrankio dalies, galite susižaloti.
- Nepersitempkite. Visada tvirtai stovėkite ir išlaikykite pusiausvyrą. Tai padės geriau kontroliuoti įrankį netikėtų situacijų metu.
- Dėvėkite tik darbu tinkamus drabužius. Nedėvėkite laisvų, neprigludusių drabužių ir juvelyrinių dirbinių. Saugokite plaukus, drabužius ir pirštines toliau nuo judančių dalių. Laisvi drabužiai, papuošalai ar ilgi plaukai gali įsipainioti į judančias įrankio dalis.
- Jei įrengti dulkių ištraukimo ir surinkimo įrengimai, įsitikinkite, kad jie prijungti ir naudojami tinkamai. Su dulkelėmis susijusiam pavojui sumažinti naudokite dulkių surinkimą.

**ELEKTRINIO ĮRANKIO NAUDOJIMAS IR PRIEŽIŪRA**

- Nenaudokite jėgos. Pritaikykite tinkamą elektrinį įrankį atliekamam darbui. Naudodami pagal paskirtį pagamintą tinkamą elektrinį įrankį, darbą atlikite geriau ir saugiau.
- Nenaudokite elektrinio įrankio, jei jungiklio negalite įjungti ir išjungti. Jungikliu nevaldomas elektrinis įrankis yra pavojingas ir jį reikia taisyti.
- Prieš sureguliuojant įrankį, keičiant atsargines dalis ar sandėliavimą atjunkite laidą nuo maitinimo šaltinio ir (ar) akumulatoriaus. Tokios saugumo priemonės apsaugos nuo atsitiktinio įrankio įsijungimo.
- Laikykite elektrinį įrankį vaikams neprieinamoje





vietoje ir neleiskite juo naudotis asmenims, kurie nemoka juo naudotis. Neįjudusiems asmenims elektriniai įrankiai yra pavojingi.

- **Pržiūrėkite elektrinius įrankius.** Patikrinkite judančių detalių nesutapimus, sukibimą, ar sumontuotos detalės nesulūžusios bei kitą būklę, kuri gali turėti neigiamos įtakos įrankio veikimui. Jei įrankis sugedęs, prieš naudojimą jį reikia suremontuoti. Nemažai nelaimingų atsitikimų įvyksta dėl netinkamai pržiūrimų elektrinių įrankių.
- **Pjovimo įrankius reikia pastoviai galąsti ir valyti.** Tinkamai pržiūrėti aštriais ašmenimis pjovimo įrankiai mažiau stringa ir juos lengviau valdyti.
- **Naudokite elektrinius įrankius, atsargines detales, gražtus ir t. t., pagal šias instrukcijas ir atsivėlgdami į darbo sąlygas bei turimą atlikti darbą.** Naudokite elektrinį įrankį tik pagal tiesioginę paskirtį, kitaip sukelsite pavojingą situaciją.

#### ĮRANKIO SU AKUMULIATORIUMI NAUDOJIMAS IR PRIEŽIŪRA

- **Pakartotinai kraukite prietaisą tik naudodami gamintojo nurodytą kroviklį.** Vieno tipo akumuliatoriui tinkantis įkroviklis gali kelti gaisro pavojų kitokiam akumuliatoriui.
- **Elektrinius įrankius naudokite tik su jiems skirtais baterijų paketais.** Naudojant kitokius akumuliatorius, galima susižeisti ar sukelti gaisrą.
- **Kai akumuliatorius nenaudojamas, jį laikykite toliau nuo kitų metalinių daiktų, pavyzdžiui, sąvaržėlių, monetų, raktų, vinių, varžtų ar kitų mažų metalinių daiktų, kurie vieną gnybtą gali sujungti su kitu.** Sutrupinus vieną akumuliatoriaus gnybtą su kitu, galima nusideginti arba sukelti gaisrą.
- **Netinkamomis sąlygomis iš akumuliatoriaus gali iškėsti skystis - nelieskite jo.** Patekus ant kūno plaukite dideliu kiekiu vandens su muilu. Jei skystis pateko į akis, nedelsiant kreipkitės į gydytoją. Iš akumuliatoriaus iškėjęs skystis gali nudeginti ar sukelti sudirginimus.

#### TECHNINIS APTARNAVIMAS

- Elektrinį įrankį turi remontuoti tik kvalifikuoti darbuotojai, kurie naudoja identiškas atsargines dalis. Tai užtikrina elektrinio įrankio saugumą.

#### SPECIFINĖS SAUGOS TAISYKLĖS

- **Laikykites toliau nuo pjoviklio ašmenų.** Kai geležtės juda, pjaunamos medienos ar tos medienos, kurią laikote ir ketinate pjauti, nebandykite pašalinti. Prieš šalinami įstrigusias medžiagas patikrinkite, ar jungiklis yra išjungtas. Neatidžiai elgdamiesi su gyvatvorės apkarpyimo mašinėle galite sunkiai susižeisti.
- **Neškite gyvatvorės apkarpyimo mašinėle už rankenos ir išjungta geležte.** Įrankio transportavimo ar saugojimo metu visada uždėkite apsauginį

daugį. Tinkama gyvatvorės apkarpyimo mašinėlės priežiūra sumažina sužeidimų nuo pjovimo geležtės pavojų.

- Elektrinį įrankį laikykite tik už izoliuotų laikymo paviršių, nes pjovimo geležtė gali susilieti su paslėptais laidais ar savo paties laidu. Pjovimo geležtės, prisilietę prie laido, prijungto prie maitinimo šaltinio, gali aktyvuoti metalines elektrinio įrankio detales ir sukelti operatoriui elektros smūgį.

#### NAUDOJIMO PASKIRTIS

- Šis gaminy yra skirtas naudojimui namuose ar namų aplinkoje. Įrankis skirtas pjauti ir apkarpyti gyvatvorės, krūmokšnius ir panašius augalus.
- Jį reikia naudoti sausose ir gerai apšviestose vietose.
- Jis **NESKIRTAS** pjauti žolę, medžius ar šakas. Šio įrankio nenaudokite jokiam kitam darbui, tik gyvatvorių apkarpymui.

#### PAPILDOMOS SAUGOS TAISYKLĖS

#### PARUOŠIMAS

- **Prieš naudodami gyvatvorės apkarpyimo mašinėle išvalykite vietą, kurioje dirbsite.** Pašalinkite visus objektus – laidus, lempas, vielas ar virves, galinčius įsipainioti į pjovimo geležtę.
- **Darbo vietoje neturi būti vaikų, pašalinių asmenų ir gyvūnų.** Visi vaikai, pašaliniai asmenys bei gyvūnai turi būti mažiausiai 15 m atstumu, nes jiems gali kilti pavojus dėl sviedžiamų daiktų. Jei prie jūsų prisiartinama, įrankį nedelsiant išjunkite.
- **Dirbkite gerai apšviestoje aplinkoje.** Įrankį naudokite tik dienos metu arba esant geram apšvietimui.
- **Prietaisą patikrinkite prieš naudojimą.** Pakeiskite pažeistas dalis. Patikrinkite, ar nėra ištekejimo iš akumuliatoriaus.
- **Būtina užtikrinti, kad visi laikikliai ir apsaugos yra savo vietoje ir saugiai pritvirtinti.** Įskilusias, nulaužtas ar pažeistas pjovimo geležtes ar kitas tokias dalis pakeiskite. Patikrinkite, ar pjovimo geležtė yra teisingai pritvirtinta ir tvirtai priveržta. Priešingu atveju operatorius ir šalia esantys asmenys gali būti sužaloti bei prietaisas gali būti pažeistas.
- **Niekada nebandykite naudoti ne visiškai sukomplektuotą ar neaiškios modifikacijos prietaisą.** Jei trūksta detalių, įrankio nenaudokite tol, kol jos nebus pakeistos.

#### EKSPLOATAVIMAS

- **Prietaiso nenaudokite be pritvirtintos priekinės rankenos.** Naudodami įrankį abi rankas laikykite už rankenų.
- **Prieš paleisdami įrankį patikrinkite, ar pjovimo geležtės nesuliesia su jokiais daiktais.**
- **Prietaisas turi būti švarus, be gyvatvorių nuokarpų**



ir kitų atliekų. Jie gali įstrigti į pavojingą geležtęse.

- Jei geležtės atsitrenkia ar įspainioja į tam tikrus pašalinius daiktus, įrankį nedelsiant išjunkite, išimkite akumuliatorių ir patikrinkite, ar jis neapgadintas. Įrankio nenaudokite, jei jo detalės yra atsilaisvinusios ar pažeistos.
- **Visada stebėkite aplinką ir būkite pasiruošę visiems galimiems pavojams, kurių galite neišgirsti dėl prietaiso burzgimo.**
- Elektrinio įrankio naudojimo metu vibracijos lygis gali skirtis nuo deklaruotos bendrosios vertės pagal įrankio naudojimo būsus. Nustatykite saugumo priemones, kad apsisaugotumėte, kurios pagrįstos pavojaus įvertinimu pačioje naudojimo sąlygose, atkreipiant dėmesį į visas darbo ciklo dalis, pvz. laikotarpį, kai įrankis yra išjungtas ir kai veikia tuščiaja eiga bei perjungimo laiką.
- Turime pranešimų, kad vibracija nuo ranka laikomų įrankių kai kuriems asmenims gali turėti neigiamos įtakos vystantis Raynaud sindromui. Šios ligos požymiai yra pirštų dilgčiojimas, nutirpimas ir pabalimas, paprastai pasireiškiantis nuo šalčio. Šie simptomai vystosi dėl paveldimų veiksnių, nesisaugant nuo šalčio ir drėgmės, dėl mitybos, rūkymo ir darbo praktikos. Šiuo metu nėra žinoma, ar vibracija arba koks laikotarpis esant vibracijai gali turėti įtakos šiam sveikatos sutrikimui. Operatorius gali imtis šių priemonių, kurios gali sumažinti vibracijos poveikį:
  - Apsirenkite kuo šilčiau šaltu oru. Dirbant šiuo prietaisu mėvėkite pirštines, kad plaštakos ir riešai būtų laikomi šilčiau. Turime pranešimų, kad Raynaud sindromas labiausiai vystosi nuo šalto oro sąlygų.
  - po darbo kiekvieną kartą pasportuokite, kad pagerėtų kraujo apytaka;
  - dažnai darykite darbo pertraukas. Apsitvirkite darbo laikotarpį per dieną.

Jei jums pasireiškia kokie nors šios būklės simptomai, nedelsdami nutraukite darbą ir kreipkitės į gydytoją.

#### PRIEŽIŪRA

- **Sugedusias detales keiskite tik originaliomis detalėmis.** Kitų detalių naudojimas gali sukelti pavojų ar sugadinti prietaisą.
- **Valydami plastikines detales, nenaudokite tirpiklių.** Komeriniai tirpikliai lengvai pažeidžia daugelį plastikinių dalių paviršių ir gali jas apgadinti. Valydami purvą, dulkes, tepalus, alyvas ir t. t., naudokite švarias šluostes.
- **Prietaisą laikykite sausoje vietoje, užrakintą arba aukštai, kad juo negalėtų naudotis kiti asmenys ar prietaiso neapgadintų.** Laikykite vaikams bei įrankiu neapmokytiems asmenims nepasiekiamoje vietoje.

#### APLINKOS APSAUGA



Žaliavines medžiagas perdirbkite pakartotinai, o ne išmeskite kaip atliekas. Mechanizmas, priedai ir pakuotės turi būti laikomi pakartotinai perdirbti aplinkai nekenksmingu būdu.

#### SIMBOLIAI



Su jūsų saugumu susiję išpėjimai.



Techninių reikalavimų atitikimas



Perskaitykite vartotojo instrukciją ir laikykitės visų išpėjimų ir saugos nurodymų.



Dėvėkite akių ir klausos apsaugą



Nusviesti objektai gali atsitrinkti ir sužeisti, ar padaryti žalos turtui. Dėvėkite apsauginius drabužius ir aulinius batus.



Mėvėkite neslystančias, tvirtas apsaugines pirštines.



Visi aplinkiniai žmonės turi būti bent 15m atstumu.



Nenaudoti lyjant ar drėgnose vietose.



Elektrinių produktų atliekos neturi būti metamos kartu su namų ūkio atliekomis. Prašome perdirbkite jas ten, kur yra tokios perdirbimo bazės. Dėl perdirbimo patarimo kreipkitės į savo vietinę savivaldybę ar pardavėją.

#### ŽENKLAI ŠIOJE INSTRUKCIJOJE



Saugumas



Išpakavimas



Naudojimosi pradžia



Apžvalga



Detalės arba priedai yra parduodami atskirai



Eksplotavimas



Priežiūra



Eikite į # puslapį



Informacija



Pranešimas apie saugumą



Akumuliatoriaus prijungimas



Akumuliatoriaus atjungimas



Tepimo alyva



Bloketājs



Atrakinti



Mūvėkite apsaugines pirštines



Nelieskite judančios geležtės

**⚠ HOIATUS**

Seadme kasutamine on keelatud nendel isikutel (kaasa arvatud lapsed), kellel on piiratud füüsilised, sensoorsed või vaimsed võimed ning kogemusteta ja väljaõppeta isikutel, välja arvatud siis, kui nad on kasutamise ajal nende ohutuse eest vastutava isiku järelevalve või juhendamise all. Laste järele tuleb valvata, et nad seadmega ei mängiks.

**ELEKTRITÖÖRIISTADE OHUTUSE ÜLDESKIRJAD****⚠ HOIATUS**

Lugege kõik ohuhoiatused ja juhised läbi. Hoiatuste ja juhiste eiramisel on oht saada elektrilööki või raskeid kehavigastusi ning/või põhjustada tulekahju.

**Hoidke kõik hoiatused ja juhised tulevikus vaatamiseks alles.**

Hoiatuses kasutatav termin „elektritööriist“ tähendab mehaanilist tööriista, mis saab toidet elektrivõrgust (juhtmega) või akust (ilma juhtmata).

**TÖÖKOHT**

- **Hoidke töökoht puhas ja hästi valgustatud.** Korrastamata ja pimedas kohas töötamisel võivad juhtuda õnnetused.
- **Ärge kasutage elektritööriistu plahvatusohtlikes keskkondades, näiteks kergestisüttivate vedelike ja gaaside läheduses ega tolmuses kohas.** Elektritööriistad tekitavad sademeid, mis võivad tolmu või auru süüdata.
- **Elektritööriistaga töötamisel hoidke lapsed ja kõrvalised isikud eemal.** Tähelepanu hajumise korral võib teil kontroll kaduda.

**ELEKTRIOHUTUS**

- **Elektritööriistade pistikud peavad pistikupessa sobima.** Ärge püüdke pistiku konstruktsiooni mingil moel muuta. Ärge ühendage maanduskontaktiga (kordusmaandusega) elektritööriistu elektrivõrku läbi vahepistmike. Pistiku ja pistikupesa konstruktsiooni muutmise korral tekib elektrilöögi oht.
- **Hoiduge kehalisest kontaktist maandatud pindadega, näiteks torud, radiaatorid, elektripliidid ja külmikud.** Kehaosade maandamisel suureneb elektrilöögi saamise oht.
- **Ärge jätke tööriistu vihma kätte ega niiskesse kohta.** Vee sattumisel elektrilise tööriista sisemusse suureneb elektrilöögi saamise oht.
- **Ärge kasutage toitejuhet mittesihipäraselt.** Ärge kasutage toitejuhet tööriista kandmiseks, vedamiseks või pistikupesast väljatõmbamiseks. Hoidke toitejuhe eemal kuumusest, õlist, teravatest

servadest ja liikuvatest osadest. Vigastatud või keerdus toitekaablid suurendavad elektrilöögi ohtu.

- **Väljas töötamisel kasutage välistingimustes kasutamiseks sobivaid pikendusjuhtmeid.** Välistingimustele sobiva pikendusjuhtme kasutamine vähendab elektrilöögi ohtu.
- **Kui elektritööriistaga töötamine niisketes oludes on vältimatu, siis kasutage rikkevoolu-kaitselülitiga (RCD) kaitstud vooluvõrku.** RCD kasutamine vähendab elektrilöögi ohtu.

**ISIKUKAITSE**

- **Mehaanilise tööriistaga töötamisel jälgige tööpiirkonda ja kasutage sealjuures tervet mõistust.** Ärge kasutage tööriista siis, kui te olete väsinud, uimastite, alkoholi või ravimite mõju all. Hetkeline tähelepanu hajumine tööriista kasutamise ajal võib põhjustada raske kehavigastuse.
- **Kasutage isikukaitsevahendeid.** Kandke alati silmakaitsevahendeid. Kui tööolud seda nõuavad, tuleb kasutada isikukaitsevahendeid, näiteks tolmumaski, libisemiskindlaid turvajalatsi, kiivrit ja kuulmiskaitsevahendeid, mis kehavigastuste riski vähendavad.
- **Vältige tahtmatut käivitumist.** Enne toitejuhtme või aku ühendamist, tööriista kättevõtmist või teisaldamist veenduge, et tööriista lüliti on välja lülitatud. Õnnetuste vältimiseks ärge hoidke tööriista kandmise ajal sõrme lülitusnupul ega ühendage tööriista toitevõrku siis, kui lüliti on sisse lülitatud.
- **Enne tööriista sisselülitamist eemaldage sellel reguleerivõti või mutrivõti.** Elektritööriista külge jäetud reguleerivõti või mutrivõti võivad põhjustada raske kehavigastuse.
- **Ärge kummardage.** Hoidke end pidevalt jalgadel ja tasakaalus. Siis on teil ootamatu olukorra tekkimisel tööriista üle parem kontroll.
- **Kandke tööks sobivat riietust.** Ärge kandke lõtvu riideid ja ehteid. Hoidke juuksed, riietuseseid ja töökindad liikuvatest osadest eemal. Lõdvad riietuseseid, ehteid ja pikad juuksed võivad haakuda liikuvate osade külge.
- **Kui tööriistal tuleb kasutada tolmu eraldamis- või kogumisseadisi, siis veenduge, et need on ühendatud ja nõuetekohases kasutuses.** Tolmukoguri kasutamisega saab vähendada tolmuga seotud ohtusid.

**ELEKTRITÖÖRIISTA KASUTAMINE JA KORRASHOID**

- **Ärge koormake elektritööriista üle.** Kasutage tööks sobivat elektritööriista. Õigesti valitud elektritööriist töötab ettenähtud võimsuspiirkonnas paremini ja ohutumalt.
- **Ärge kasutage elektritööriista, kui lüliti ei lülita seda sisse ja välja.** Lülitiga lülitamatu tööriista kasutamine on ohtlik ja see tuleb lasta ära remontida.
- **Enne tööriista reguleerimist, tarvikute vahetamist**





või hoistamist võtke toitejuhe pistikupesast välja või eemaldage aku. Need ennetavad ohutusmeetmed vähendavad tööriista tahtmatu käivitumise riski.

- Hoidke kasutuses mitteolevaid elektritööriista lastele kättesaamatus kohas ja ärge lubage elektritööriista mitte tundvaid või kasutusjuhendiga mitte tutvunud isikuid elektritööriista kasutada. Oskamatu kasutaja käes olev elektritööriist on ohtlik.
- Mehaaniliste elektritööriistade hooldus. Kontrollige liikuvate osade mittesentreeritust ja kinnitumist, osade vigastusi ning tehke kindlaks muud seisundid, mis võivad mõjustada elektritööriista tööd. Kui mõni osa on vigastatud, siis laske elektritööriist enne kasutamist ära parandada. Halvasti hooldatud elektritööriistad põhjustavad palju õnnetusi.
- Hoidke lõiketerad teravad ja puhtad. Teravate lõiketeradega ja nõuetekohaselt hooldatud lõikeriistad jäävad harvemini kinni ning neid on kergem kontrolli all hoida.
- Tööriistade, tarvikute, otsakute ja muude lisaseadmete kasutamisel juhendige nende kasutusjuhenditest, võttes arvesse tehtavat tööd ja tööolusid. Tööoperatsiooniks mitte ettenähtud tööriista kasutamine võib tekitada ohtliku olukorra.

#### AKUTÖÖRIISTA KASUTAMINE JA KORRASHOID

- Laadige akut ainult tootja poolt ettenähtud laadijaga. Akulaadaja, mis sobib ühele akupaketile võib põhjustada tulekahju, kui seda kasutada teise akupaketiga.
- Kasutage akutööriista ainult selleks ettenähtud akudega. Muude akupaketide kasutamine võib põhjustada kehavigastusi või tulekahju.
- Sel ajal kui akupakett ei ole kasutusel, hoidke seda eemal metallsemetest nagu kirjaklambrid, mündid, võtmed, naelad, kruvid ja muudest väikestest metallobjektidest, mis võivad akuklemmid lühistada. Aku klemmide lühistamine võib põhjustada põletust või tulekahju.
- Aku vale kasutamise korral võib akavedelik välja voolata - vältige sellega kokkupuudet. Kui tekib juhuslik kokkupuude, peske puutekoht rohke seebiveega puhtaks. Vedeliku silma sattumisel pöörduge viivitamatult arsti poole. Väljapritsv akavedelik võib tekitada nahaärritust või -põletust.

#### TEENINDAMINE

- Laske oma elektrilist tööriista hooldada väljaõppinud teenindustöötajal; remontimisel tohib kasutada ainult originaalvaruosi. See tagab elektriseadme ohutuse.

#### OHUTUSE ERINÕUDED

- Hoidke kõik kehaosad lõiketerast eemal. Ärge üritage eemaldada ega hoida lõigatavat materjali sel ajal kui lõiketerad liiguvad. Kui oks jääb terade

vahele kinni, siis lülitage trimmer välja. Hetkeline tähelepanu hajumine hekitrimmeri kasutamise ajal võib põhjustada raske kehavigastuse.

- Teisaldamise ajaks lülitage hekitrimmer välja ja kandke seda käepidemest. Hekitrimmeri teisaldamisel või hoivulepanekul paigaldage latile alati kaitsekate. Hekitrimmeri õige käsitsemine vähendab lõiketeradega seotud kehavigastusi.
- Hoidke tööriista kinni ainult isoleeritud haardepindadest, sest lõiketera võib sattuda kokkupuutesse varjatud juhtmega või tööriista enda toitejuhtmega. Kui tööriist satub kontakti pingele all olevate juhtmetega, jäävad tööriista isoleerimata metallosad pingele alla ja kasutaja võib saada elektrilöögi.

#### OTSTARBEKOHANE KASUTAMINE

- Seade on ette nähtud kasutamiseks kodumajapidamises. See on ette nähtud hekkide, okste ja sarnate taimeosade lõikamiseks ja trimmimiseks.
- Seda tuleb kasutada kuivas ja heades valgustustingimustes.
- See EI OLE ette nähtud rohu, puude või jämedate okste lõikamiseks. Seda ei tohi kasutada muuks otstarbeks kui heki trimmimiseks.

#### TÄIENDAVAD OHUTUSREEGLID

##### ETTEVALMISTUSTOIMINGUD

- Iga kord enne kasutamist puhastage tööpiirkond takistustest. Eemaldage kõik esemed, nagu traadid, valgustid, juhtmehed või nõõrid, mis võivad takerduda lõiketera külge.
- Saatke lapsed, kõrvalised isikud ja lemmikloomad eemale. Hoidke lapsed, kõrvalised isikud ja lemmikloomad vähemalt 15 m kaugusel, sest jääb oht, et kõrvalseisjad võivad tabada väljapaiskuvad esemed. Kui olete enda välja küüritanud, seisake seade viivitamatult.
- Ärge kasutage seadet halva valgustatuse korral. Kasutage seadet ainult päevavalguses või hästivalgustatud kohas.
- Kontrollige seade enne kasutamist üle. Asendage kõik vigastatud koostisosad. Kontrollige, et akupakett ei leki.
- Veenduge, et kinnitid ja kaitsekatted on oma kohtadel ning piisavalt kinnitatud. Asendage lõiketerad ja muud osad, kui need on pragunenud, kildunud või vigastatud. Veenduge, et lõiketera on õigesti paigaldatud ja kindlalt kinnitatud. Muidu võib kasutaja või kõrvalseisjad saada kehavigastusi ja ka seade vigastada saada.
- Ärge püüdke kasutada puudevate osadega masinat või teha konstruktsiooni heakskiitmata muudatusi. Kui mõni osa puudub, siis ärge hakake töötama enne, kui puuduvad osad on paigaldatud.

**KASUTAMINE**

- **Ärge kasutage trimmerit ilma, et eesmine käepide oleks oma kohal.** Hoidke seadmega töötamise ajal mõlemad käed käepidemetel.
- **Enne seadme käivitamist veenduge, et löiketerad ei ole millegiga kokkupuutes.**
- **Hoidke seade heklõigetest ja muudest materjalidest puhas.** Need võivad jääda löiketerade külge kinni.
- Kui seade pörkub vastu võõrkeha või satub sellega kokkupuutesse, seisake seade viivitamatult, võtke akupakett välja ja kontrollige löiketerad vigastuste suhtes üle. Ärge kasutage seadet siis, kui selle osad on lõtvunud või vigastatud.
- **Jälgige töötamise ajal ümbrust ja olge valvas võimalike ohtude suhtes, mille ilmnemist te ei pruugi mootorimüra tõttu kuulda.**
- Olenevalt seadme kasutusviisist võib mehaanilise tööriista töötamisel ilmneda vibratsiooniheide, mille suurus erineb deklareeritud väärtustest. Kasutaja kaitsmiseks seadmega töötamisel tuleb kindlaks teha turvameetmed, mis põhinevad tegelikes kasutustingimustes esinevale vibratsioonile, sealjuures tuleb arvesse võtta kõiki töösükli osi, lisaks sisselülitatud olekule näiteks ka vibratsiooni väljalülitamise ajal ja tühikäigul.
- Teadaolevalt võib käsitööriistade kasutamine põhjustada mõnedel inimestel seisundit, mida nimetatakse Raynaud' sündroomiks. Sümptomidena võib ilmneda sõrmede tuimus ja valkjaks muutumine, mis tavaliselt ilmneb külmas töötamisel. Nende sümptomite puhul tuleb hoiduda külmast ja niiskusest, diidist ning suitsetamisest ja kasutada õigeid töövõtteid. Käesoleval ajal on teadmata, kas vibratsioon või selle mõjuulatus võib seisundi muutumisele kaasa aidata. Vibratsiooni mõju vähendamiseks tuleb rakendada järgmisi abinõusid.
  - Külma ilmaga hoidke oma keha soe. Kandke kindaid, et hoida oma käed ja randmed soojad. Uuringud näitavad, et Raynaud's Syndrome ilmneb põhiliselt külma ilmaga.
  - Pärast külmas töötamist tehke harjutusi, et verevarustust kiirendada.
  - Tehke regulaarselt töovaheaegasid. Piirake tööperioodi pikkust.
 Kui ilmnevad haigustunnused, lõpetage kohe töö ja pöörduge arsti poole.

**HOOLDUS**

- **Kui hooldate, kasutage ainult identseid varuosi.** Muude osade kasutamine võib luua ohuolukorra või põhjustada toote kahjustumist.
- **Vältige plastosade puhastamisel lahustite kasutamist.** Enamik plastikuide on erinevat tüüpi poes müüdatavate lahuste kahjustuste suhtes altid ja võivad saada neid kasutades kahjustatud. Mustusest, tolmust, õlist, määrdest jne puhastamiseks kasutage puhast riidelappi.

- **Hoidke seadet kuivas lukustatud kohas või kõrgel, et kõrvalised isikud ei saaks neid kasutada või vigastada.** Hoidke lastele ja väljaõppeta inimestele kättesaamatus kohas.

**KESKKONNAKAITSE**

Toormaterjalid utiliseerige jäätmetega koos. Masin, selle lisaseadmed ja pakend tuleb jäätmekäitluseks keskkonnasõbralikult sorteerida.

**SÜMBOL**

Teie ohutust tagavad ettevaatusabinõud.



Vastavus tehniilistele eeskirjadele



Lugege kasutusjuhend läbi ja järgige hoiatusi ning ohutusjuhiseid.



Kandke kaitseprille ja kõrvaklappe



Lenduvad objektid võivad rikošetina pörkuda ja põhjustada tõsiseid vigastusi või varakahju. Kandke kaitseriistust ja turvajalanõusid.



Kandke libisemiskindlaid, tugevdatud kaitsekindaid.



Hoidke kõik kõrvalseisjad vähemalt 15m kaugusel.



Ärge jätke vihma kätte ega kasutage niiskes kohas.



Mittekasutatavaid elektritooteid ei tohi visata olmejäätmete hulka. Vaid tuleb viia vastavasse kogumispunkti. Vajadusel küsige sellekohast nõu oma edasimüüjalt või vastavalt kohaliku omavalitsuse institutsioonilt.

**KASUTUSJUHENDIS KASUTATAVAD IKOONID**

Ohutus



Lahtipakkimine



Alustamine



Ärge puudutage liikuvat lõiketera



Ülevaade



Eraldi ostetavad osad või tarvikud



Kasutamine



Hooldus



Mine lehele nr



Teave



Ohutusalane teave



Aku ühendamine



Aku lahtiühendamine



Määrdeõli



Lukk



Lahtikeeramine



Kandke turvakindaid



**⚠ UPOZORENJE**

Ovaj uređaj nije namijenjen korištenju od strane osoba (uključujući djecu) smanjenih tjelesnih, osjetilnih ili mentalnih mogućnosti ili osobama koje ne raspolažu iskustvom ili znanjem osim ako nisu pod nadzorom osobe odgovorne za njihovu sigurnost i rade po uputama koje se odnose na korištenje uređaja. Djecu je potrebno nadzirati kako bi se osiguralo da se ne igraju s uređajem.

**OPĆA SIGURNOSNA UPOZORENJA ZA ELEKTRIČNI ALAT****⚠ UPOZORENJE**

Pročitajte sva sigurnosna upozorenja i sve upute. Nepridržavanje upozorenja i uputa može izazvati strujni udar, požar i/ili ozbiljne ozljede.

Sačuvajte ova upozorenja i upute kako biste ih naknadno mogli konzultirati.

Pojam „električni alat“ u upozorenjima odnosi se na vaš glavni alat (napajanje preko kabela) ili električni alat koji se napaja preko baterije (bez kabela).

**RADNA OKOLINA**

- **Držite radni prostor čistim i dobro osvijetljenim.** Zatrpani i neosvijetljeni radni prostori izazivaju nezgode.
- **Nemojte rukovati električnim alatima u eksplozivnim atmosferama u kojima su prisutne zapaljive tekućine, plinovi ili prašina.** Električni alati stvaraju iskre koje mogu zapaliti prašinu ili pare.
- **Tijekom rada s električnim alatom držite podalje djecu i promatrače.** Ometanje može dovesti do toga da izgubite kontrolu.

**ELEKTRIČNA SIGURNOST**

- **Utikači električnog alata moraju odgovarati utičnici.** Nikada nemojte modificirati utikače ni na koji način. Nemojte koristiti nikakve adapter utikače s uzemljenim električnim alatima. Originalni utikači i odgovarajuće utičnice smanjuju opasnost od strujnog udara.
- **Izbjegavajte kontakt tijela s uzemljenim površinama poput cijevi, radijatora, štednjaka i hladnjaka.** Ako je vaše tijelo uzemljeno, povećava se opasnost od strujnog udara.
- **Nemojte izlagati električne alate kiši ili vlažnim uvjetima.** Ulazak vode u električni alat povećava opasnost od strujnog udara.
- **Nemojte zlorabiti kabel.** Nikada nemojte koristiti kabel za nošenje, povlačenje ili isključivanje električnog alata. Držite kabel podalje od topline, ulja, oštih rubova ili pokretnih dijelova uređaja. Oštećeni ili zapleteni kabeli povećavaju opasnost od strujnog udara.

- **Kada radite s električnim alatom na otvorenom, koristite produžni kabel prikladan za rad na otvorenom.** Korištenje kabela prikladnog za rad na otvorenom smanjuje opasnost od strujnog udara.
- **Ako se ne može izbjeći rad s električnim alatom u vlažnoj lokaciji koristite FID sklopku (RCD uređaj) za zaštitu napajanja.** Korištenje RCD uređaja smanjuje opasnost od električnog udara.

**OSOBNJA SIGURNOST**

- **Budite na prezu, gledajte to što radite i pri radu s električnim alatom koristite zdrav razum.** Nemojte koristiti električni alat kad ste umorni ili pod utjecajem droge, alkohola ili lijekova. Trenutak nepažnje pri radu s električnim alatima može dovesti do teških osobnih ozljeda.
- **Koristite osobnu zaštitnu opremu.** Uvijek nosite zaštitna sredstva za oči. Zaštitna oprema poput maske za prašinu, zaštitna obuća sa zaštitom od klizanja, kaciga ili zaštita za uši koja se koristi u odgovarajućim uvjetima smanjuje osobne ozljede.
- **Spriječite slučajno pokretanje.** Osigurajte da je prije priključivanja na izvor napajanja i/ili baterije, podizanja ili nošenja alata, sklopka u položaju OFF (isključeno). Nošenje električnog alata s vašim prstom na sklopki ili uključivanje električnih alata sa skloptom postavljenom na položaj on (uključeno) dovodi do nezgoda.
- **Prije uključivanja električnog alata uklonite sve klinove za podešavanje i ključeve.** Ključ ili klin ostavljen priključen na rotirajućem dijelu električnog alata može dovesti do osobne ozljede.
- **Ne sežite preko određene granice.** Cijelo vrijeme držite pravilno uporište i ravnotežu. Ovo u neočekivanim situacijama omogućuje bolju kontrolu nad električnim alatom.
- **Pravilno se odjenite.** Nemojte nositi široku odjeću ili nakit. Kosu, odjeću i rukavice držite podalje od pokretnih dijelova. Široka odjeća, nakit ili dugačka kosa mogu biti zahvaćeni u pokretne dijelove alata.
- **Ako su uređaji opremljeni s priključkom aparata za odvajanje i prikupljanje prašine, osigurajte da su oni priključeni i pravilno korišteni.** Korištenje uređaja za sakupljanje prašine smanjuje opasnosti vezane uz prašinu.

**KORIŠTENJE I BRIGA O ELEKTRIČNOM ALATU**

- **Nemojte električni alat koristiti iznad njegovih mogućnosti.** Za vašu primjenu koristite točan električni alat. Točan električni alat bolje će i sigurnije uraditi posao u odnosu za što je namijenjen.
- **Nemojte koristiti električni alat ako ga sklopka pravilno ne uključuje i isključuje.** Svaki električni alat koji se ne može kontrolirati pomoću sklopke je opasan i mora se popraviti.
- **Prije nego što izvršite bilo kakva podešavanja, zamijenite dodatni pribor ili pohranite električne alate, odspojite utikač iz izvora napajanja i/ili**



bateriju iz električnog alata. Ovakve preventivne sigurnosne mjere smanjuju opasnost od slučajnog pokretanja električnog alata.

- **Električne alate pohranite u stanju mirovanja izvan dohvata djece i ne dopustite rad s električnim alatom osobama koje nisu upoznate s električnim alatom ili ovim uputama.** Električni alati su opasni u rukama nestručnih korisnika.
- **Održavanje električnih alata.** Provjerite radi pogrešnog poravnanja ili savijanja pokretnih dijelova, puknuća dijelova i drugih uvjeta koji mogu utjecati na rad električnog alata. Ako je oštećen, električni alat prije korištenja popravite. Većina nezgoda uzrokovano je od strane električnih alata koji su slabo održavani.
- **Rezne alate držite oštrim i čistim.** Pravilno održavanjem reznim alatima s oštrim rubovima za rezanje, manja je vjerojatnost zahvaćanja i lakše se kontroliraju.
- **Koristite električni alat, pribor i dijelove alata itd., u skladu s ovim uputama i uzveši u obzir radne uvjete i rad koji treba izvršiti.** Korištenje električnog alata za radove drugačije od njegove namjene može dovesti do opasne situacije.

#### KORIŠTENJE I BRIGA O AKU ALATU

- **Punite samo s punjačem navedenim od proizvođača.** Punjač koji je prikladan za jednu vrstu baterija može dovesti do opasnosti od požara kada se koristi s drugom baterijom.
- **Koristite AKU alate samo s posebno naznačenim baterijama.** Korištenje bilo kojih drugih baterija dovodi do opasnosti od ozljeda i požara.
- **Kada se baterija ne koristi držite je dalje od drugih metalnih predmeta kao što su spajalice za papir, kovanice, ključevi, čavli, vijci ili drugi mali metalni predmeti koji mogu spojiti jedan pol na drugi.** Kratki spoj polova baterije može izazvati opekotine ili požar.
- **Pod uvjetima loma može doći do izbacivanja tekućine iz baterije, izbjegavajte kontakt.** Ako dođe do nehotičnog kontakta, isperite to mjesto sa sapunicom. Ako tekućina dospije u oči, odmah potražite liječničku pomoć. Tekućina koja istječe iz baterije može dovesti do iritacije ili opekotina.

#### ODRŽAVANJE

- **Neka vaš električni alat servisira kvalificirana osoba za popravak koristeći samo identične zamjenske dijelove.** Ovo će osigurati da se održi sigurnost električnog alata.

#### POSEBNA SIGURNOSNA PRAVILA

- **Držite sve dijelove tijela dalje od noža rezača. Nemojte ukloniti odrezani materijal ili držati materijal za rezanje kad se oštrice pomiču.** Osigurajte da je uređaj isključen kada čistite zaglavljani materijal. Trenutak nepažnje pri radu sa škarama za živicu može dovesti do teških osobnih ozljeda.

- **Nosite Trimer za ogradu za ručku sa zaustavljenim nožem rezača. Kada transportirate ili skladištite trimer za ogradu uvijek postavite pokrov reznog uređaja.** Pravilno rukovanje trimenom za ogradu smanjuje mogućnost ozljeda od noževa rezača.
- **Držite električni alat za izoliranu površinu za hvatanje jer rezač može doći u kontakt sa skrivenim ožičenjem ili njegovim vlastitim kabelom.** Dodirivanje „žive“ žice noževima rezača može izložiti metalne dijelove alata električnoj energiji i može dovesti do strujnog udara na operatera.

#### NAMJENA

- Ovaj proizvod namijenjen je za kućnu ili upotrebu u domaćinstvu. Namijenjen je za rezanje i obrizavanje ograde, šikara i slične vegetacije.
- Treba se koristiti samo u suhim, dobro osvijetljenim uvjetima.
- NIJE namijenjen za rezanje trave, drveća ili grana. Ne smije se koristiti za nikakvu drugu svrhu osim za obrizavanje ograde.

#### DODATNA SIGURNOSNA PRAVILA

##### PRIPREMA

- **Prije svkog korištenja očistite područje.** Uklonite sve predmete poput kabela, žarulja, žica ili konopa koji se mogu zaglaviti u nožu rezača.
- **Prostor držite bez djece, promatarča i kućnih ljubimaca.** Minimalno držite svu djecu, promatrače i kućne ljubimce izvan kruga od 15 m, još i dalje mogu biti u opasnosti od odbačenih predmeta. Ako prilazite, odmah zaustavite jedinicu.
- **Nemojte raditi u slabom osvijetljenju.** Koristite jedinicu po danjem svijetlu ili pri dobroj umjetnoj rasvjeti.
- **Prije korištenja provjerite jedinicu.** Zamijenite sve oštećene dijelove. Provjerite baterije na curenje.
- **Provjerite da li su pričvršni elementi i štيتnici na mjestu i pričvršćeni.** Zamijenite noževe rezača ili sve dijelove koji su puknuti, zarezani ili oštećeni. Provjerite da li je oštrica pravilno instalirana i čvrsto pritegnuta. Nepoštivanje ove upute dovodi do osobnih ozljeda operatera i promatrača, ako i oštećenja jedinice.
- **Nikada ne pokušavajte koristiti nekompletan uređaj ili onaj s neovlaštenom modifikacijom.** Ako neki od dijelova nedostaju nemojte raditi s ovim uređajem sve dok se dijelovi ne zamijene.

##### UPORABA

- **Nemojte koristiti trimer bez postavljene ručke.** Kad se jedinica koristi držite obje ruke na ručkama.
- **Prije pokretanja uređaja osigurajte da oštrice za rezanje neće doći u kontakt s ničim.**
- **Držite jedinicu čistom od isječka živice i drugih materijala.** Može doći do zaglavljivanja u noževima



rezača.

- Ako se uređaj ošteti ili zaglavi stran predmetima, odmah zaustavite uređaj, uklonite bateriju i provjerite oštećenje. Nemojte raditi uređajem s otpuštenim ili oštećenim dijelovima.
- **Uvijek imajte na umu okruženje i budite na oprezu za moguće opasnosti koje možda ne čujete zbog buke uređaja.**
- Razina vibracija tijekom trenutačne uporabe AKU alata može se razlikovati od deklarirane ukupne vrijednosti ovisno o načinima na koje se alat koristi. Identificirajte sigurnosne mjere za svoju zaštitu na temelju procjene izloženosti u trenutnim uvjetima korištenja, uzevši u obzir sve dijelove radnog ciklusa kao što su vrijeme kada je alat isključen i kada je pokrenut u praznom hodu u dodatku vremenu pokretanja.
- Prijavljeno je da vibracije alata koje se drži u ruci kod određenih pojedinaca mogu doprinijeti stanju pod nazivom Raynaud's Syndrome. Simptomi mogu uključivati trnce, ukočenost i bjelinu prstiju, obično uočljivo po izlaganju hladnoći. Smatra se da nasljedne osobine, izlaganje hladnoći i vlazi, dijeta, pušenje i radni postupci pridonose razvoju ovih simptoma. Trenutačno nije poznato koji od ovih vibracija ili duljeg izlaganja može doprinijeti ovom stanju. Postoje mjere koje operator može poduzeti kako bi smanjio moguće učinke vibracije:
  - Održavajte svoje tijelo toplim u hladnim vremenskim uvjetima. Kad radite s uređajem nosite rukavice kako biste ruke i zglobove održavali toplima. Prijavljeno je da je hladnoća glavni čimbenik koji doprinosi Raynaud's Syndrome.
  - Nakon svakog perioda rada vježbajte kako biste povećali cirkulaciju krvi.
  - Uzimajte česte stanke u radu. Ograničite količinu izlaganja po danu.

Ako osjetite neke od simptoma ovog stanja, odmah prekinite korištenje i obratite se svome liječniku vezano uz ove simptome.

#### ODRŽAVANJE

- **Prilikom servisiranja koristiti identične zamjenske dijelove.** Uporaba bilo kojeg drugog dijela može izazvati opasnost ili oštećenje proizvoda.
- **Prilikom čišćenja plastičnih dijelova izbjegavajte koristiti kemijska sredstva.** Većina plastičnih dijelova osjetljiva je na oštećenje različitim vrstama komercijalnih vrsta otapala i mogu se oštetiti njihovom uporabom. Za uklanjanje prljavštine, prašine, ulja, masnoće itd., koristite čistu krpu.
- **Spremite uređaj na suhom mjestu, zaključanom ili na visokom mjestu kako biste spriječili neovlašteno korištenje ili oštećenje.** Držite izvan doseg djece ili nestručnih pojedinaca.

#### ZAŠTITA OKOLIŠA



Sirovine reciklirajte, umjesto da ih bacate među kućni otpad. Kako biste zaštitili okoliš, alat, dodatke i ambalažu treba odvojeno bacati u otpad.

#### SIMBOL



Mjere opreza koje uključuju vašu sigurnost.



Sukladno tehničkim propisima



Pročitajte upute za uporabu i slijedite sva sigurnosna upozorenja i upute.



Nosite zaštitu za vid i sluh



Odbačeni predmeti mogu se odbiti i dovesti do osobne ozljede ili oštećenja imovine. Nosite zaštitnu odjeću i obuću.



Nosite zaštitne rukavice velike debljine koje se ne klizu.



Držite sve promatrače na udaljenosti od najmanje 15m.



Ne izlažite kiši ili ne koristite u vlažnim uvjetima.



Otpadni električni proizvodi ne treba da se odlažu s otpadom iz domaćinstva. Molimo da reciklirate gdje je to moguće. Potražite savjet od lokalnih vlasti ili prodavca kako reciklirati.

#### IKONE U OVOM PRIRUČNIKU



Sigurnost



Raspakiravanje



Početak rada



Pregled



Dijelovi ili pribor prodan odvojeno



Uporaba



Održavanje



Idi na stranicu #



Informacije



Sigurnosno upozorenje



Priključite bateriju



Odspojite bateriju



Ulje za podmazivanje



Brava



Otključavanje



Nosite zaštitne rukavice



Nemojte dodirivati oštricu koja se kreće

**⚠ OPOZORILO**

Naprava ni namenjena uporabi s strani oseb (vključno z otroki), ki imajo pomanjkljive fizične ali mentalne zmogljivosti, premalo izkušenj in znanja, razen če te niso bile nadzorovane ali ustrezno podučene o uporabi s strani osebe, ki je odgovorna za njihovo varnost. Otroke nenehno nadzorujte, da se ne bodo igrali z napravo.

**SPLOŠNA VARNOSTNA OPOZORILA ZA ELEKTRIČNA ORODJA****⚠ OPOZORILO**

Preberite vsa varnostna opozorila in navodila. Zaradi neupoštevanja opozoril in navodil lahko pride do električnega udara, požara in/ali resnih poškodb.

Shranite vsa opozorila in navodila za kasnejšo uporabo.

Izraz »električno orodje« v opozorilih se nanaša na orodja, ki jih poganja električni tok (žična), ali na akumulatorska (brežžična) orodja.

**DELOVNO OBMOČJE**

- Delovno območje naj bo čisto in dobro osvetljeno. V neurejenih in temnih območjih se rade zgodijo nesreče.
- Električnih orodij ne uporabljajte v eksplozivnih okoljih npr. v bližini vnetljivih tekočin, plinov ali prahu. Električna orodja proizvajajo iskre, ki lahko vnamejo prah ali hlape.
- Med uporabo električnega orodja v bližino ne pustite otrok in drugih ljudi. Zaradi zmanjšane koncentracije lahko izgubite nadzor.

**ELEKTRIČNA VARNOST**

- Vtiči električnih orodij se morajo prilegati vtičnicam. Vtiča nikoli in na noben način ne smete spreminjati. Z ozemljenimi električnimi orodji ne uporabljajte adapterjev vtiča. Nespremenjeni vtiči in ustrezne vtičnice zmanjšajo tveganje električnega udara.
- Izogibajte se telesnemu stiku z ozemljenimi površinami, kot so cevi, radiatorji, kuhalniki in hladilniki. Če je vaše telo ozemljeno, obstaja povečano tveganje električnega udara.
- Električnih orodij ne izpostavljajte dežju ali vlažnim pogojem. Voda v električnem orodju znatno poveča tveganje električnega udara.
- Kabla ne uporabljajte za neustrezne namene. Kabla nikoli ne uporabljajte za prenašanje, vleko ali izklop električnega orodja. Pazite, da kabel ne pride v stik z vročino, oljem, ostrimi robovi ali gibljivimi deli. Poškodovani ali zapleteni kabli zvišujejo tveganje električnega udara.
- Med uporabo električnega orodja na prostem uporabljajte podaljševalni kabel, ki je primeren

za zunanjo uporabo. Uporaba kabla, primerne za zunanjo uporabo, znižuje tveganje električnega udara.

- Če je delo z električnim orodjem v vlažnem okolju neizogibno, uporabite tokovno zaščitno stikalo (RCD). Uporaba naprave RCD zmanjša tveganje za električni udar.

**OSEBNA VARNOST**

- Med obratovanjem bodite pozorni, spremljajte potek dela in uporabljajte zdrav razum. Električnega orodja ne uporabljajte, ko ste utrujeni oz. pod vplivom drog, alkohola ali zdravil. Trenutek nepazljivosti med uporabo električnega orodja lahko povzroči hude telesne poškodbe.
- Uporabljajte osebno zaščitno opremo. Vedno nosite zaščito za oči. Če v različnih okoliščinah nosite ustrezno zaščitno opremo, kot so maska proti prahu, obutev z nedrsečim podplatom, trdno pokrivalo glave in zaščita za sluh, zmanjšate možnost telesnih poškodb.
- Preprečite neželen zagon. Preden orodje priključite na vir napajanja, vstavite baterije, ga vzamete v roke ali prenašate, se prepričajte, da je stikalo v izključenem položaju. Prenašanje električnih orodij, tako da prst držite na stikalu, ali dovajanje napajanja električnim orodjem, pri katerih je stikalo v položaju »on (vklop)« poveča tveganje nesreč.
- Pred vklopom električnega orodja odstranite morebitne nastavitvene ključe ali izvijače. Izvijač ali ključ, ki ostane pritrjen na vrtljivi del električnega orodja, lahko povzroči telesne poškodbe.
- Nesiahajte prilič daleko. Pazite, da stojite stabilno in da imate ravnotežje. To omogoča boljši nadzor nad električnim orodjem v nepričakovanih situacijah.
- Bodite primerno oblečeni. Ne nosite ohlapnih oblačil ali nakita. Pazite, da lasje, oblačila in rokavice ne pridejo v bližino gibljivih delov. Ohlapna oblačila, nakit ali dolgi lasje se lahko zapletejo v gibljive dele.
- Če so naprave namenjene priključitvi na pripomočke za sesanje in zbiranje prahu, se prepričajte, da so ti priključeni in ustrezno uporabljeni. Uporaba zbiralca prahu lahko zmanjša nevarnosti, povezane s prahom.

**UPORABA IN NEGA ELEKTRIČNEGA ORODJA**

- Električnega orodja ne preobremenjujte. Uporabite električno orodje, ki ustreza vašemu delu. Ustrezno električno orodje bo nalogo opravilo bolje in varneje v kategoriji, za katero je bilo zasnovano.
- Ne uporabljajte električnega orodja, če ga stikalo ne vklopi ali izklopi, kot bi bilo treba. Kakršno koli električno orodje, ki ga ni mogoče nadzirati s stikalom, je nevarno in ga je potrebno popraviti.
- Odklopite vtič z vira napajanja in/ali baterije, preden opravljate kakršne koli prilagoditve, menjate dodatke ali shranjujete električno orodje. Tovrstni preventivni varnostni ukrepi zmanjšajo možnost slučajnega zagona električnega orodja.



- Električna orodja, ki niso v uporabi, shranjujte izven dosega otrok in ne dovolite, da bi električno orodje uporabljale osebe, ki niso seznanjene z električnim orodjem ali s temi navodili. Električna orodja so v rokah neusposobljenih uporabnikov nevarna.
  - Električna orodja redno vzdržujte. Preverite, če so gibljivi deli napačno poravnani ali zaskočeni, če so sestavni deli polomljeni ali če obstaja kakršno koli druge stanje, ki lahko vpliva na varno delovanje električnega orodja. Če je električno orodje poškodovano, ga pred ponovno uporabo dajte v popravilo. Številne nesreče zakrivijo neustrezno vzdrževana električna orodja.
  - Rezalna orodja naj bodo vedno nabrušena in čista. Pravilno vzdrževana rezalna orodja z ostrimi rezili se težje zaskočijo in jih je lažje nadzirati.
  - Električno orodje, dodatke, nastavke za orodje itd. uporabljajte v skladu s temi navodili ter upoštevajte delovne pogoje in vrsto dela, ki ga boste izvajali. Uporaba električnega orodja za namene, ki so drugačni od tistih, za katere je bilo orodje zasnovano, lahko povzroči nevarne situacije.
- Obrezovalnik žive meje prenašajte tako, da ga držite za ročaj, rezilo pa naj bo pri tem ustavljeno. Med transportom ali skladiščenjem obrezovalnika žive meje vedno namestite pokrov naprave. Ustrezno ravnanje z obrezovalnikom žive meje zmanjša tveganje poškodb zaradi rezil.
  - Za varnost električno orodje držite le za izolirane držalne površine, saj lahko rezilo neželeno pride v stik s skrito žico ali kablom. Če se rezila dotaknejo žice, ki je pod električno napetostjo, lahko izpostavljeni kovinski deli električnega orodja postanejo »živi« in povzročijo električni udar.

#### NAMEN UPORABE

- Izdelek je namenjen za domačo uporabo. Izdelek je namenjen obrezovanju žive meje, grmičevja in podobnega rastlinja.
- Uporabljati ga je treba v suhih razmerah z dobro svetlobo.
- NI namenjen košenju trave, obrezovanju drevja ali vej. Ne smete ga uporabljati za druge namen kot pa za obrezovanje žive meje.

#### DODATNA VARNOSTNA PRAVILA

##### PRIPRAVA

- **Območje rezanja pred vsako uporabo počistite.** Odstranite vse predmete, ki se lahko zapletejo v rezilo, kot npr. kabli, svetilke, žica ali vrvica.
- **Z območja odslovite otroke, opazovalce in živali.** Otroci, opazovalci in živali se ne smejo zadrževati v območju 15 m od delovnega mesta, saj še vedno obstaja nevarnost zaradi odvrženih predmetov. Če se vam kdo približa, enoto takoj izključite.
- **S cepilnikom ne upravljajte pri slabi osvetljavi.** Cepilnik uporabljajte le podnevi ali na dobri umetni svetlobi.
- **Pred vsako uporabo enoto pregledjte.** Zamenjajte poškodovane dele. Preverite, ali baterija pušča.
- **Prepričajte se, da so pritrdila in varovala trdno pritrjena.** Rezila ali druge dele zamenjajte, če so počeni, odkrušeni ali kako drugače poškodovani. Prepričajte se, da je rezilo obrezovalnika ustrezno nameščeno in trdno pritrjeno. Neupoštevanje tega lahko povzroči telesne poškodbe upravitelja ali opazovalcev ter poškodbe enote.
- **Nikoli ne uporabljajte nepopolne naprave ali naprave z nameščenimi nepooblaščenimi deli.** Če deli manjkajo, enote ne uporabljajte, dokler delov ne zamenjate.

##### DELOVANJE

- Obrezovalnika ne uporabljajte brez nameščenega sprednjega ročaja. Med uporabo imejte obe roki na ročajih.
- Preden enoto zaženete, se prepričajte, da se rezila

#### UPORABA IN VZDRŽEVANJE BATERIJSKEGA ORODJA

- **Baterijo polnite le s polnilnikom, ki ga določa proizvajalec.** Polnilnik, ki ustreza eni vrsti baterij, morda lahko povzroči požar, če z njim polnite drugo vrsto baterij.
- **Baterijska orodja uporabljajte samo s predpisano vrsto baterij.** Uporaba katerih koli drugih baterij ustvari tveganje poškodb in požara.
- **Ko baterije ne uporabljajte, pazite, da bo odmaknjena od kovinskih predmetov, kot so papirne sponke, kovanci, ključji, žebliji, vijaki ali drugih majhni kovinski predmeti, ki bi lahko povzročili povezavo med obema terminaloma.** Kratak stik zaradi povezanih terminalov baterije lahko povzroči opekline ali požar.
- **Ob zlorabi baterije lahko iz nje steče tekočina.** Če se po nesreči dotaknete tekočine, sperite z veliko količino mila in vode. Če pride tekočina v stik z očmi, nemudoma poiščite zdravstveno pomoč. Tekočina, ki izteče iz baterije, lahko povzroči vnetje ali opekline.

#### SERVISIRANJE

- **Električno orodje naj servisira usposobljena oseba, uporabljati pa sme le originalne nadomestne dele.** To bo zagotovilo vzdrževanje varnostni električnega orodja.

#### POSEBNA VARNOSTNA OPOZORILA

- **Delov telesa nikoli ne izpostavljajte rezilom. Ne odstranjujte zagozdenega materiala medtem, ko se rezilo premika. Prepričajte se, da je naprava izklopjena, ko odstranjujete zagozden material.** Trenutek nepazljivosti med uporabo obrezovalnika žive meje lahko povzroči resne telesne poškodbe.



ne dotikajo ničesar.

- **Enoto vzdržujte čisto odrezkov in ostalega materiala.** Lahko se zagozdijo v rezila.
- Če stroj udari ob tujke ali če se rezila zapletejo v tujke, enoto takoj ustavite, odstranite baterijo in preverite, če je enota poškodovana. Če deli enote manjkajo ali niso dobro pritrjeni, enote ne uporabljajte.
- **Vedno bodite previdni in pozorni na okolico, saj zaradi hrupa stroja morda ne boste opazili morebitnih nevarnosti.**
- Raven vibracije med dejansko uporabo električnega orodja se od navedene vrednosti lahko razlikuje, odvisno od načina, kako se orodje uporablja. Ugotovite varnostne ukrepe za zaščito upravljalca, ki temeljijo na oceni izpostavljenosti v dejanskih pogojih uporabe, pri tem pa je treba upoštevati vse dele delovnega cikla – npr. ko je orodje izključeno in ko je v prostem teku in čas zagona.
- Ugotovljeno je bilo, da lahko pri nekaterih posameznikih vibracije ročnih orodij povzročijo Raynaudov sindrom. Simptomi so lahko mravljinci, otrplost in pobledele prsti, kar je običajno vidno, kadar je oseba izpostavljena mrazu. Dedni dejavniki, izpostavljenost mrazu in vlagi, dieta, kajenje in delovne navade naj bi pripomogle k razvoju teh simptomov. Trenutno še ni znano, katere vibracije ali raven izpostavljenosti, če sploh, lahko prispevajo k temu. Za zmanjšanje učinkov vibracij lahko upravljalavec upošteva naslednja navodila:
  - a. Poskrbite, da bo vaše telo na mrazu toplo. Med upravljanjem nosite rokavice in tako ohranajte toploto vaših dlani in zapestij. Kot poročajo, je mraz glavni dejavnik, ki prispeva k Raynaudovemu sindromu.
  - b. Po vsakem obdobju upravljanja naprave telovadite in tako pospešite krvni obtok.
  - c. Pogosto si vzemite odmor. Omejite dnevno količino izpostavljenosti.

Če zaznavate kakršne koli simptome takšnega stanja, takoj prenehajte z uporabo naprave in se o simptomih posvetujte z zdravnikom.

#### VZDRŽEVANJE

- **Pri servisiranju uporabljajte le identične nadomestne dele.** Uporaba drugih delov lahko povzroči nevarnost ali škodo na izdelku.
- **Pri čiščenju plastičnih delov se izogibajte toplomu.** Večina plastičnih delov je zelo dovzetna za poškodbe s strani različnih vrst raztopil. Za odstranjevanje prahu, umazanije, olja, masti itd. uporabite čiste krpe.
- **Enoto shranite na suhem mestu, zaklenjeno ali shranjeno visoko, da preprečite nepooblaščen uporabo ali škodo.** Izdelek hranite zunaj dosega otrok ali neusposobljenih posameznikov.

#### ZAŠČITA OKOLJA



Namesto, da napravo zavržete, reciklirajte surovine. Napravo, pribor in embalažo je treba sortirati za okolju prijazno recikliranje.

#### SIMBOL



Ukrepi za večjo varnost.



Skladnost s tehničnimi predpisi



Preberite uporabniški priročnik ter upoštevajte vsa opozorila in varnostna navodila.



Nosite zaščito za oči in ušesa



Vrženi predmeti lahko odletijo proč od naprave in povzročijo telesne ali materialne poškodbe. Nosite zaščitna oblačila in škornje.



Nosite si nestrseče, močne delovne zaščitne rokavice.



Prisotni naj bodo oddaljeni vsaj 15m.



Ne izpostavljajte ga dežju ali vlagi.



Odpadne električne izdelke odlagajte skupaj z ostalimi gospodinjstvi odpadki. Reciklažo upravljajte na predpisanih mestih. Za reciklažni nasvet se obrnite na lokalne oblasti.

#### IKONE V TEM PRIROČNIKU



Varnost



Odpakiranje



Kako začeti





Pregled



Deli ali dodatki so na prodaj ločeno



Delovanje



Vzdrževanje



Pojdite na stran #



Informacije



Varnostni alarm



Priklopite baterijo



Odklopite baterijo



Olje za mazanje



Uzamknutie



Odklep



Nosite zaščitne rokavice



Ne dotikajte se vrtečih se rezil

**⚠ VAROVANIE**

Toto zariadenie nie je určené pre použitie osobami (vrátane detí) s zníženými fyzickými, zmyslovými alebo duševnými schopnosťami alebo nedostatočnými skúsenosťami a znalosťami, pokiaľ nepracujú pod dohľadom alebo podľa pokynov na používanie zariadenia osobou zodpovednou za ich bezpečnosť. Deti musia byť pod dozorom, aby sa nemohli so zariadením hrať.

**VŠEOBECNÉ BEZPEČNOSTNÉ VÝSTRAHY PRE MECHANICKÉ NÁSTROJE****⚠ VAROVANIE**

Prečítajte si všetky bezpečnostné výstrahy a pokyny. Pri nedodržaní týchto výstrah a pokynov môže dôjsť k úrazu elektrickým prúdom, požiaru a/alebo závažnému poraneniu.

**Odložte všetky upozornenia a pokyny použité v budúcnosti.**

Pojem „mechanický nástroj“ vo výstrahách sa vzťahuje na váš sieťový (kábelový) mechanický nástroj alebo akumulátorový (bezkábelový) mechanický nástroj.

**PRACOVNÝ PRIESTOR**

- **Pracovisko udržiavajte v čistote a správne osvetlite.** Prepchané alebo tmavé miesta zvyšujú pravdepodobnosť nehôd.
- **Nepracujte s mechanickými nástrojmi vo výbušných atmosférach, napríklad v blízkosti zápalných tekutín, plynov alebo prachu.** Mechanické nástroje vytvárajú iskry, ktoré môžu podpáliť takýto prach alebo výpary.
- **Deti a okolostojaci sa počas práce s mechanickým nástrojom nesmú zdržovať v jeho blízkosti.** Rozptylenie môže spôsobiť, že stratíte nad nástrojom kontrolu.

**ELEKTRICKÁ BEZPEČNOSŤ**

- **Zástrčky mechanického nástroja musia zodpovedať zásuvke.** Zástrčku nikdy žiadnym spôsobom neupravujte. S uzemnenými mechanickými nástrojmi nepoužívajte rozdvojnú zásuvku. Použitím neupravených zástrčiek a zodpovedajúcich zásuviek sa znižuje riziko úrazu elektrickým prúdom.
- **Vyhýbajte sa telesnému kontaktu s uzemnenými povrchmi, napríklad rúrami, radiátormi, sporákmi a chladničkami.** Ak je vaše telo uzemnené, hrozí vysoké riziko úrazu elektrickým prúdom.
- **Mechanické nástroje nevystavujte dažďu ani mokrému prostrediu.** Voda, ktorá vnikne do mechanického nástroja, zvyšuje riziko úrazu elektrickým prúdom.
- **Kábel nenamáhajte.** Nikdy nepoužívajte kábel na

prenášanie, ťahanie alebo odpájanie mechanického nástroja. Kábel nedávajte do blízkosti tepla, oleja, ostrých okrajov alebo pohyblivých dielov. Poškodené alebo zamotané káble zvyšujú riziko úrazu elektrickým prúdom.

- **Pri práci s mechanickým nástrojom v exteriéri používajte predlžovací kábel vhodný pre použitie v exteriéri.** S káblom vhodným pre použitie v exteriéri sa znižuje riziko úrazu elektrickým prúdom.
- **Ak je nevyhnutné pracovať s mechanickým nástrojom vo vlhkom prostredí, použite zdroj chránený zariadením pre zvyškový prúd.** Použitie zariadenia pre zvyškový prúd znižuje riziko úrazu elektrickým prúdom.

**OSOBNÁ BEZPEČNOSŤ**

- **Pri práci s mechanickým nástrojom buďte ostražití, sledujte, čo robíte a používajte zdravý rozum.** Nepoužívajte mechanický nástroj, keď ste unavení alebo pod vplyvom drog, alkoholu alebo liekov. Chvíľa nepozornosti počas práce s mechanickými nástrojmi môže spôsobiť závažné osobné poranenie.
- **Používajte osobné ochranné pomôcky.** Vždy používajte chrániče zraku. Ochranné pomôcky ako protiprachová maska, protišmyková bezpečnostná obuv, pevný klobúk alebo chrániče sluchu, používané pre príslušné podmienky, znižujú riziko vzniku osobného poranenia.
- **Zabráňte neúmyselnému spusteniu.** Pred zapojením zariadenia do siete a/alebo k jednotke akumulátora, zdvíhaním alebo prenášaním nástroja vždy skontrolujte, či je spínač vo vypnutej polohe. Pri prenášaní mechanických nástrojov s prstom položeným na spínači alebo pripájaní mechanických nástrojov so zapnutým spínačom sa zvyšuje riziko úrazu.
- **Pred zapnutím nástroja odstráňte prípadný nastavovací klin alebo kľúč.** Keď necháte kľúč alebo klin nasadený na rotujúci diel mechanického nástroja, môže dôjsť k vážnemu poraneniu osôb.
- **Neprečunujte sa.** Neustále zachovávajte pevnú oporu nôh a rovnováhu. Tak si zaistíte lepšiu kontrolu nad mechanickým nástrojom v nečakaných situáciách.
- **Primerane sa oblečte.** Nenoste voľný odev ani šperky. Vlasy, odev a rukavice nepriblížte k pohyblivým sa dielom. Voľný odev, šperky či dlhé vlasy sa môžu zachytiť do pohyblivých častí.
- **Ak sú zariadenia vybavené pripojením na prostriedky na odsávanie a zber prachu, zaistite, aby boli správne pripojené a primerane sa používali.** Pri použití týchto prostriedkov sa znižujú riziká pochádzajúce z prachu.

**POUŽÍVANIE ELEKTRICKÉHO NÁSTROJA A STAROSTLIVOSŤ OŇ**

- **Na mechanický nástroj nevyvíjajte silu.** Používajte vhodný nástroj pre dané použitie. Správny mechanický nástroj splní svoju úlohu lepšie a



bezpečnejšie pri rýchlosti, na ktorú je určený.

- **Mechanický nástroj nepoužívajte, ak spínač nezapína a nevyvíja nástroj.** Mechanický nástroj, ktorý sa nedá ovládať spínačom, je nebezpečný a musí sa dať opraviť.
- **Pred vykonaním akýchkoľvek úprav, výmene príslušenstva alebo odložením mechanického nástroja odpojte zástrčku zo sieťovej zásuvky a/alebo jednotky akumulátora.** Takéto preventívne opatrenie znižuje riziko neúmyselného spustenia mechanického nástroja.
- **Nečinné mechanické nástroje odložte mimo dosahu detí a nedovoľte používať mechanický nástroj osobám neoboznámeným s mechanickým nástrojom alebo týmito pokynmi.** Mechanické nástroje sú v rukách netrénovaných osôb nebezpečné.
- **Na mechanických nástrojoch vykonávajte údržbu. Skontrolujte, či pohyblivé diely nie sú nesprávne nastavené alebo zablokované, či niektoré diely nie sú poškodené, ako aj akýkoľvek iný stav, ktorý by mohol ovplyvniť činnosť mechanického nástroja. V prípade poškodenia nechajte mechanický nástroj pre použitím opraviť.** Veľké množstvo nehôd je spôsobených nedostatočnou údržbou mechanických nástrojov.
- **Rezacie nástroje udržiavajte ostré a v čistote.** Správne udržiavané rezacie nástroje s ostrými ostriami sa menej pravdepodobne zaseknú a ľahšie sa ovládajú.
- **Mechanický nástroj, príslušenstvo a vrtáky a pod., používajte v súlade s týmto návodom, pričom berte do úvahy pracovné podmienky a úlohu, ktorú chcete vykonať.** Pri používaní mechanického nástroja na iné ako určené činnosti môže dôjsť k nebezpečným situáciám.

#### POUŽÍVANIE AKUMULÁTORA A STAROSTLIVOSŤ OŇ

- **Nabíjajte len s použitím nabíjačky špecifikovanej výrobcom.** Nabíjačka, ktorá je vhodná pre jeden typ jednotky akumulátora, môže pri použití s inou jednotkou akumulátora spôsobiť riziko požiaru.
- **Používajte len mechanické nástroje so špecificky určenými jednotkami akumulátorov.** Pri použití iných jednotiek akumulátora vzniká riziko poranenia a požiaru.
- **Keď sa jednotka akumulátora nepoužíva, nedávajte ju do blízkosti iných kovových objektov, ako sú papierové sponky, mince, kľúče, klince, skrutky či iné malé kovové predmety, ktoré by mohli skratovať svorky.** Pri skratovaní svoriek akumulátora môže dôjsť k popáleninám alebo požiaru.
- **Za nevhodných podmienok, keď by z batérie vytekala kvapalina, predchádzajte kontaktu s ňou.** Pri náhodnom kontakte opláchnite veľkým množstvom vody s mydlom. Ak tekutina zasiahne oči, bezodkladne vyhľadajte lekársku pomoc. Tekutina vytečená z akumulátora môže spôsobiť podráždenie alebo popáleniny.

#### OPRAVY

- **Servis mechanického nástroja prenehajte kvalifikovanému servisnému pracovníkovi s použitím len identických náhradných dielov.** Takto zachováte bezpečnosť mechanického nástroja.

#### ŠPECIFICKÉ BEZPEČNOSTNÉ PRAVIDLÁ

- **Telo udržiavajte mimo dosahu rezného ostria. Neodstraňujte odstrihnutý materiál ani nedržte strihaný materiál, keď sa ostria pohybujú.** Pri čistení zaseknutého materiálu musí byť spínač vypnutý. Chvíľa nepozornosti počas práce so strihačom živého plotu môže spôsobiť závažné osobné poranenie.
- **Strihač živého plotu prenášajte za rúkovať, pričom rezné ostrie je zastavené. Pre prenášanie alebo skladovanie strihača plotu vždy nasadte kryt strihacieho zariadenia.** Pri správnom zaobchádzaní so strihačom živého plotu sa znižuje pravdepodobnosť osobného poranenia rezným ostrím.
- **Elektrický nástroj držte len za izolované úchopné povrchy, lebo rezné ostrie sa môže dostať do kontaktu so skrytými vodičmi alebo vlastným káblom.** Pri kontakte rezných ostří so „živým“ vodičom by mohli byť obnažené kovové diely pod prúdom a spôsobiť obsluhujúcemu úder elektrickým prúdom.

#### ÚČEL POUŽITIA

- Tento produkt je určený na domáce použitie. Je určené na rezanie a orezávanie živých plotov, razdia a podobnej vegetácie.
- Musí sa používať v suchom a dobre osvetlenom prostredí.
- NIE je určené na strihanie trávy, stromov či konárov. Nesmie sa používať na žiadne iné účely okrem strihania živých plotov.

#### ĎALŠIE BEZPEČNOSTNÉ PRAVIDLÁ

#### PRÍPRAVA

- **Pred každým požitím vyprázdňte pracovný priestor.** Odstráňte všetky predmety ako káble, svetlá, drôty alebo vlákna, ktoré by sa mohli zamotať do rezného ostria.
- **Všetky deti, okolostojace osoby a domáce zvieratá musia stáť mimo pracovného priestoru.** Všetky deti, okolostojace osoby a domáce zvieratá musia stáť minimálne 15 m od pracoviska – neustále existuje riziko zásahu okolostojacích osôb odlietavajúcimi predmetmi. Ak ste v blízkosti, okamžite zariadenie zastavte.
- **Nepracujte pri nedostatočnom osvetlení.** Zariadenie používajte za denného svetla alebo pri dobrom umelom osvetlení.
- **Pred použitím zariadenie skontrolujte.** Všetky poškodené diely vymeňte. Skontrolujte, či nedochádza k vytekaniu akumulátorovej jednotky.



- **Skontrolujte, či sú všetky upínadlá a kryty na mieste a zabezpečené.** Vymeňte rezné ostria či akékoľvek iné diely, pokiaľ sú prasknuté, vyštrbené alebo poškodené. Skontrolujte, či je rezné ostrie správne namontované a bezpečne upnuté. V opačnom prípade môže dôjsť k osobnému poraneniu obsluhujúcej osoby a okolostojacich osôb, ako aj poškodeniu jednotky.
- **Nikdy sa nepokúšajte používať nekompletný nástroj alebo nástroj vybavený neautorizovanou modifikáciou.** Ak niektoré diely chýbajú, nepracujte so zariadením, kým chýbajúce diely nenahradíte.

#### PREVÁDZKA

- **Nepoužívajte strihač bez namontovanej prednej rukoväte.** Počas práce so zariadením majte obe ruky na rukovätiach.
- **Pred spustením zariadenia dbajte na to, aby rezné ostria neboli s ničím v kontakte.**
- **Jednotku čistíte od ústrižkov kríkov a iného materiálu.** Môžu sa zaseknúť do rezných ostrí.
- Ak sa do stroja zamotajú cudzie predmety alebo do nich narazí, okamžite ho zastavte, vyberte jednotku akumulátora a skontrolujte poškodenie. Nepracujte so zariadením, ktoré má uvoľnené alebo poškodené diely.
- **Vždy sa oboznámte s okolím a dávajte pozor na možné riziká, ktoré si nemusíte všimnúť kvôli huku zo stroja.**
- Úroveň vibrácií počas samotného používania elektrického nástroja sa môže líšiť od deklarovanej celkovej hodnoty v závislosti od toho, ktorý nástroj sa používa. Identifikujte bezpečnostné opatrenia na vašu ochranu nezákladne posúdenia skutočných podmienok použitia, pričom vezmite do úvahy všetky časti prevádzkového cyklu, napríklad časov, kedy je nástroj vypnutý a kedy pracuje na voľnobehu okrem času spúšťania.
- Boli hlásené prípady, kedy vibrácie z ručných nástrojov u niektorých osôb prispeli k stavu nazývanému Raynaudov syndróm. K symptómom patria: tŕpnutie, znecitlivenie a blednutie prstov, zvyčajne zjavné po vystavení zime. Je známe, že k vývoju týchto symptómov prispievajú: dedičné faktory, vystavovanie zime a vlhkosti, diéta, fajčenie a pracovné návyky. V súčasnosti nie je známe, či by vibrácie alebo dlhodobé používanie mohli prispieť k tomuto stavu. Opatrenia, ktoré môže vykonať obsluhujúca osoba na možné zníženie účinkov vibrácií:
  - a. V studenom počasí udržiavajte svoje telo v teple. Pri práci so zariadením noste rukavice, aby ste mali ruky a zápästia v teple. Boli hlásené prípady, kedy hlavným faktorom prispievajúcim k Raynaudovmu syndrómu bolo studené počasie.
  - b. Po každom určitom časovom úseku prevádzky cvičte, aby ste zlepšili krvný obeh.
  - c. Počas práce si dajte časté prestávky. Obmedzte počet vystavení za deň.
 Ak zistíte ktorýkoľvek zo symptómov tohto stavu, okamžite prerušte používanie zariadenia, navštívte

svojho lekára a povedzte mu o symptómoch.

#### ÚDRŽBA

- **Ak výrobok opravujete, používajte iba rovnaké originálne náhradné diely.** Použitie iných ako originálnych dielov môže spôsobiť poškodenie výrobku alebo byť príčinou nebezpečenstva.
- **Pri čistení plastových dielov nepoužívajte rozpúšťadlá.** Vefa plastov je citlivých na poškodenie rôznymi typmi komerčných rozpúšťadiel a môžu byť nimi poškodené. Na odstránenie špiny, prachu, oleja, maziva a pod. použite čisté tkaniny.
- **Zariadenie odložte na suché miesto – buď uzamknuté alebo dostatočne vysoko, aby nedošlo k jeho neoprávnenému použitiu alebo poškodeniu.** Udržiavajte mimo dosahu detí alebo neškolených pracovníkov.

#### OCHRANA ŽIVOTNÉHO PROSTREDIA



Surové materiály recyklujte, namiesto toho, aby ste ich zlikvidovali ako odpad. Stroj, príslušenstvo a obaly by sa mali triedene recyklovať spôsobom šetrným k životnému prostrediu.

#### ZNAČKY



Predbežné opatrenia týkajúce sa vašej bezpečnosti.



Súlad s technickými smernicami



Prečítajte si návod na použitie a dodržiavajte všetky výstrahy a bezpečnostné pokyny.



Používajte chrániče zraku a sluchu.



Vymrštené predmety môžu odskočiť a spôsobiť osobné poranenie alebo poškodenie majetku. Používajte ochranný odev a obuv.



Používajte protišmykové odolné rukavice.



Všetci okolostojace osoby musia byť vo vzdialenosti minimálne 15m.



Nezavádzajte dožerú ani nepoužívajte vo vlhkom prostredí.



Opotrebované elektrické zariadenia by ste nemali odhadzovať do domového odpadu. Prosíme o recykliáciu ak je možné. Kontaktujte miestne úrady, alebo predajcu pre viac informácií o vhodnom ekologickom spracovaní.



IKONY V TOMTO NÁVODE



Bezpečnosť



Rozbaľovanie



Začíname



Prehľad



Prevádzka



Údržba



Prejdite na stranu č.



Informácie



Výstražná značka



Pripojte batériu



Odpojte batériu



Mazací olej



Zamknuté



Odomknuté



Používajte ochranné rukavice



Nedotýkajte sa pohybujúceho sa ostria



Diely alebo príslušenstvo predávané samostatne

**▲ ПРЕДУПРЕЖДЕНИЕ**

Този уред не е предназначен за употреба от лица (включително деца) с намалени физически, сетивни или умствени способности или лица, които нямат необходимите опит и знания, освен ако не са надзирани и инструктирани относно употребата на този уред от лице, отговорно за тяхната безопасност. Децата трябва да бъдат надзирани, за да се гарантира, че не си играят с уреда.

**ОСНОВНИ ПРЕДУПРЕЖДЕНИЯ ЗА БЕЗОПАСНОСТ ПРИ РАБОТА С ЕЛЕКТРИЧЕСКИ ИНСТРУМЕНТИ****▲ ПРЕДУПРЕЖДЕНИЕ**

Прочетете всички предупреждения относно безопасността и всички инструкции. Неспазването на предупрежденията и инструкциите може да доведе до токов удар, пожар и/или сериозни наранявания.

Съхранявайте всички предупреждения и инструкции за бъдещи справки.

Терминът "електрически инструмент" в предупрежденията се отнася за вашия инструмент - със захранване от електрическата мрежа (с кабел) или на батерия (безжичен).

**БЕЗОПАСНОСТ НА РАБОТНАТА ЗОНА**

- Поддържайте работното пространство чисто и добре осветено. Безпорядъкът или тъмнината в работното пространство са предпоставка за злополуки.
- Не използвайте електрически инструменти в експлозивни среди, например в присъствието на запалителни течности, газове или прах. По време на работа електрическите инструменти произвеждат искри, които могат да възпламяват прах или пари.
- Дръжте децата и страничните наблюдатели далече, докато боравите с електрически инструмент. Ако вниманието ви бъде отклонено, може да загубите контрола над електрическия инструмент.

**ЕЛЕКТРИЧЕСКА БЕЗОПАСНОСТ**

- Щепселът на електрическия инструмент трябва да е съвместим с контакта. В никакъв случай не внасяйте изменения в конструкцията на щепсела. Когато работите със занулени електрически инструменти, не използвайте адаптери за щепсела. Използването на оригиналните щепсели и контакти намалява риска от токов удар.
- Избягвайте допир със заземени повърхности,

като тръби, радиатори, печки и хладилници. Когато тялото ви е заземено, рискът от възникване на токов удар е по-голям.

- Не излагайте електрическите инструменти на дъжд или влажни условия. Проникването на вода в електрическия инструмент повишава опасността от токов удар.
- Не насилвайте захранващия кабел. Никога не носете, не изключвайте и не дърпайте електрическия инструмент за кабела. Предпазвайте кабела от нагряване, омасляване, допир до остри ръбове или до подвижни звена на машини. Повредените или усукани кабели увеличават риска от токов удар.
- Когато работите с електрически инструмент на открито, използвайте само удължителни кабели, предназначени за работа на открито. Използването на удължител, предназначен за работа на открито, намалява риска токов удар.
- Ако не можете да избегнете използването на електрически инструмент на влажно място, използвайте RCD (прекъсвач със защитно изключване). Използването на RCD намалява опасността от електрически удар.

**ЛИЧНА БЕЗОПАСНОСТ**

- Бъдете бдителни, внимавайте какво правите и проявявайте благоразумие, когато боравите с електрически инструмент. Не използвайте електрическия инструмент, когато сте уморени или под влиянието на наркотични вещества, алкохол или лекарства. Миг невнимание, докато боравите с електрически инструмент, е достатъчен за получаването на сериозни наранявания.
- Използвайте лична защитна екипировка. Винаги носете защитни очила. Защитната екипировка, като маска против прах, пригодени против плъзгане защитни обувки, твърда шапка или антифони, използвани за подходящите условия, ще намали опасността от физически наранявания.
- Не допускайте нежелано стартиране. Преди да вдигате или носите инструмента и преди да го включвате в електрическата мрежа и/или батерия, винаги проверявайте дали превключателят е на позиция OFF (изкл). Носенето на инструмента с пръст върху превключателя или включването му към електричеството, докато превключателят му е на включен, е предпоставка за злополуки.
- Махнете всички гаечни или френски ключове за настройка преди да включите инструмента. Помощен инструмент, забравен на въртящ се елемент, може да доведе до физически наранявания.
- Не се протягайте, за да работите на трудно достижими места. Винаги стъпвайте стабилно по време на работа и пазете равновесие. Това дава възможност за по-добър контрол над



електрическият инструмент в неочаквани ситуации.

- Обличайте се целесъобразно. Не носете широки дрехи или украшения. Дръжте косата, дрехите и ръкавиците си на безопасно разстояние от подвижните елементи. Широките дрехи, украшенията, дългите коси могат да бъдат захванати и увлечени от движещи се елементи.
- Ако устройствата са оборудвани със съоръжение за издърпване и събиране на прах, уверете се, че е то свързано и функционира правилно. Използването на устройства за събиране на прах ще намали рисковете, свързани с работа в прашни условия.

#### ИЗПОЛЗВАНЕ И ОБСЛУЖВАНЕ НА ЕЛЕКТРИЧЕСКИЯ ИНСТРУМЕНТ

- Не насилвайте електрическият инструмент. Използвайте електрическият инструмент, съобразно неговото предназначение. Правилно подобреният електрически инструмент ще свърши работата по-добре и по-безопасно в зададения от производителя диапазон на натоварване.
- Не използвайте електрически инструменти, чито пусков прекъсвач е повреден. Електрически инструмент, който не може да бъде контролиран посредством превключвател, е опасен и трябва да бъде ремонтиран.
- Изключете щепсела от източника на захранване и/или батерията от електрическият инструмент, преди да извършвате каквито и да е корекции, да смените принадлежностите и преди съхраняване на електрическите инструменти. Тази мярка премахва опасността от задействане на електрическият инструмент по невнимание.
- Съхранявайте незаетите електрически инструменти на недостъпни за деца места и не позволявайте на лица, непознати с инструмента или с тези указания, да боравят с него. Когато са в ръцете на неопитни потребители, електрическите инструменти могат да бъдат изключително опасни.
- Поддържайте електрическите инструменти в изправност. Проверявайте за неизправности или заклиняване в подвижните елементи, за счупени части или други обстоятелства, които могат да влошат работата на електрическият инструмент. Преди да използвате електрически инструмент, се погрижете повредите да бъдат отстранени. Много от трудовете злополуки се дължат на недобре поддържани електрически инструменти.
- Поддържайте режещите инструменти винаги добре заточени и чисти. Инструменти, за които е полагана правилна грижа и са с добре наточени режещи елементи, се управляват по-лесно и вероятността да заядат е по-малка.
- Използвайте електрическите инструменти, принадлежностите и режещите и др. части съобразно тези указания, като се съобразявате

с работните условия и с работата, която ще извършвате. Използването на електрически инструмент за различни от предвидените от производителя приложения повишава опасността от възникване на трудови злополуки.

#### ИЗПОЛЗВАНЕ И ОБСЛУЖВАНЕ НА ИНСТРУМЕНТА С БАТЕРИЯ

- Презареждайте единствено със зарядното устройство, посочено от производителя. Зарядно устройство, подходящо за зареждане на един вид батерии, може да предизвика риск от пожар, ако бъде използвано за други батерии.
- Използвайте електрически инструменти с батерии единствено със специално предназначение за тях батерии. Използването на всякакви други батерии може да създаде риск от нараняване и пожар.
- Когато батерията не се използва, съхранявайте я далеч от други метални обекти, като например кламери, монети, ключове, гвоздеи, гайки или други малки метални обекти, които могат да направят връзка между клемите. Късото съединение от клемите може да доведе до изгаряния или пожар.
- При неправилно използване батерията може да отдели течност; избягвайте контакт. Ако случайно настъпи контакт, промийте с обилно количество сапун и вода. Ако течността влезе в контакт с очите, потърсете незабавно медицинска помощ. Отделената от батерията течност може да причини възпаление или изгаряния.

#### СЕРВИЗНО ОБСЛУЖВАНЕ

- Ремонтът на електрическите инструменти трябва да се извършва само от квалифицирани специалисти и само с използваните на оригинални резервни части. По този начин се гарантира поддържането на безопасност при работа с електрическият инструмент.

#### СПЕЦИФИЧНИ ПРАВИЛА ЗА БЕЗОПАСНОСТ

- Дръжте режещия механизъм далеч от тялото си. Не отстранявайте отрязания материал и не дръжте материала, който ще реже, докато остриетата се движат. Уверете се, че превключвателят е в изключено положение, когато почиствате заседнал материал. Миг невнимание, докато боравите с ножицата за жив плет, може да доведе до сериозни физически наранявания.
- Носете ножицата за жив плет за дръжката, със спряло острие. При транспортиране или съхранение винаги поставяйте предпазителя на режещото устройство. Правилното третиране на хростореза ще намали възможността за нараняване с острието.
- Дръжте електрическият инструмент само за изолираните повърхности за хващане, тъй като острието може да влезе в контакт със скрити кабели или с кабела на инструмента. Ако остриетата влязат





в контакт с открити жици, може да протече ток по металните части на електрическия инструмент и операторът да бъде подложен на токов удар.

### ПРЕДНАЗНАЧЕНИЕ

- Този продукт е предназначен за домашна и битова употреба. Той е предназначен за рязане и подрязване на жив плет, храсти и подобни растения.
- Трябва да се използва при сухи условия с добра осветеност.
- Той НЕ е предназначен за рязане на трева, дървета или клони. Той не трябва да се използва за каквато и да е друга цел освен за подрязване на жив плет.

### ДОПЪЛНИТЕЛНИ ПРАВИЛА ЗА БЕЗОПАСНОСТ

#### ПОДГОТОВКА

- **Преди всяка употреба прочиствайте района, който ще подрязвате.** Отстранете всички предмети, като кабели, лампи, жици или върви, които може да се заплетат в острието.
- **Не позволявайте присъствието на странични наблюдатели, деца или животни в работната зона.** Дръжте всички деца, близкостоящи лица и домашни любимци на минимално разстояние от 15 м; възможно е въпреки това да има риск за близкостоящите лица от отхвърлени предмети. Ако някой се приближи към вас, спрете уреда незабавно.
- **Не използвайте тази машина при слабо осветление.** Използвайте уреда само на дневна светлина или добро изкуствено осветление.
- **Преглеждайте уреда преди употреба.** Заменяйте повредените части. Проверете батерията за течове.
- **Уверете се, че всички свързки и предпазители са монтирани правилно и здраво затегнати.** Сменете остриетата или други части, ако са спукани, нащърбени или повредени. Уверете се, че острието е правилно монтирано и здраво закрепено. В противен случай има риск от физическо нараняване на оператора и близкостоящите лица, както и от повреда на уреда.
- **Никога не използвайте машина, която не е напълно сглобена или такава, на която са монтирани неодобриени от производителя приспособления.** Ако има липсващи части, не използвайте уреда, докато не бъдат заменени.

#### РАБОТА

- **Не използвайте тримера, без да е поставена предната ръкохватка.** Дръжте двете ръце върху ръкохватките, когато уредът се използва.
- **Преди да стартирате инструмента, се уверете, че режещите остриета няма да докоснат нищо.**
- **Поддържайте уреда чист от изрезки от храсти и други материали.** Те може да се заклеят в остриетата.
- Ако машината попадне на външно тяло или се заплете с чужди обекти, спрете незабавно

инструмента, извадете батерията и проверете за повреда. Не използвайте инструмента, ако има хлабави или повредени части.

- **Винаги трябва да сте наясно с околната обстановка и да внимавате за възможни опасности, които може да не чуete заради шума от машината.**
- Вибрациите по време на действителната употреба на електромеханичния инструмент може да се различават от обявената обща стойност в зависимост от начините, по които се използва инструментът. Определете мерки за безопасност за собствена защита според преценка за излагането на вибрации в реални условия, като се вземат предвид всички елементи на работния цикъл, като например времето, в което инструментът е изключен и когато работи на празен ход, както и времето за задействане.
- Известно е, че вибрациите, произведени от ръчни инструменти може да предизвикат у някои индивиди заболяване, наречено Синдром на Рейнолд (Raynaud's Syndrome). Симптомите може да включват изтръпване, схващане и изbledняване на пръстите, обикновено се забелязват при излагане на студ. Смята се, че наследствените фактори, излагането на студ и влага, диетите, пушенето и някои работни навици допринасят за развитието на тези симптоми. Към момента не е известно какви вибрации, ако има такива, могат да допринесат за това състояние, нито до каква степен излагането на действието им би имало ефект. Могат да се вземат някои мерки, които могат да се предприемат от оператора, за да се намалят ефектите от вибрациите:
  - a. Поддържайте телесната температура в студено време. Когато боравите с инструмента, носете ръкавици, за да поддържате ръцете и китките си топли. Според изследвания главният фактор, допринасящ за развитието на Raynaud's Syndrome, е студеното време.
  - b. Правете упражнения за активизиране на кръвообращението след всеки работен цикъл.
  - c. Редовно излизайте в почивка. Ограничете излагането на вибрации на ден.При поява на някой от симптомите на това заболяване, незабавно прекратете употребата на инструмента и посетете лекар.

#### ПОДДРЪЖКА

- **При ремонт използвайте само идентични резервни части.** Използването на други части може да ви постави в опасност или да повреди продукта.
- **Избягвайте използването на разтворители при почистването на пластмасовите части.** Повечето пластмаси са чувствителни към различни видове разтворители и може да се повредят при използването на такива. Използвайте чисти парцали, за да премахнете кал, прах, масло, грес и т.н.
- **Съхранявайте уреда на сухо място, заключен или нависоко, за да предотвратите неупълномощена**



**употреба или повреда.** Дръжте уреда далече от досега на деца или необучени лица.

### ОПАЗВАНЕ НА ОКОЛНАТА СРЕДА



Рециклиране на суровини, вместо за обезвреждане като отпадък. Машината, допълнителните приспособления и опаковките трябва да бъдат подложени на подходяща преработка за оползотворяване на съдържащите се в тях вторични суровини.

### ЗНАК



Предпазни мерки, касаещи вашата безопасност.



Съответствие с техническите регламенти



Прочетете ръководството за оператора и следвайте всички предупреждения и инструкции за безопасност.



Носете средства за защита на зрението и слуха.



Отхвърлени предмети могат да рикошират и да доведат до физическо нараняване или имуществени повреди. Носете предпазни дрехи и обувки.



Носете здрави ръкавици, пригодени против плъзгане.



Дръжте всички странични наблюдатели на поне 15м.



Не излагайте на дъжд и на влажни условия.



Електрическите уреди не трябва да се изхвърлят заедно с битовите отпадъци. Рециклирайте, където има възможност. Обърнете се за съвет по рециклирането към местните власти или разпространителите.

### ИКОНИ В ТОВА РЪКОВОДСТВО



Безопасност



Разопаковане



Първи стъпки



Общ преглед



Работа



Поддръжка



Към страница #



Информация



Предупреждение относно безопасността



Свързване на батерията



Изключване на батерията



Смазочно масло



Ключалка



Отключване



Носете предпазни ръкавици



Не докосвайте движещото се острие



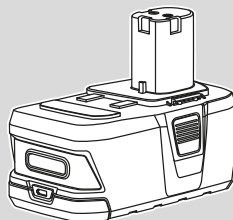
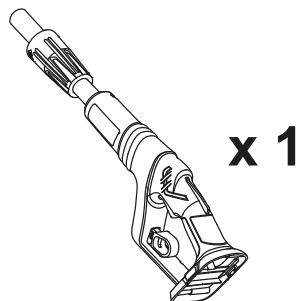
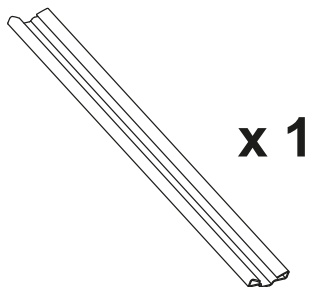
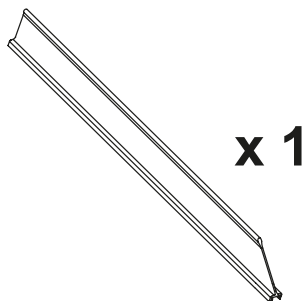
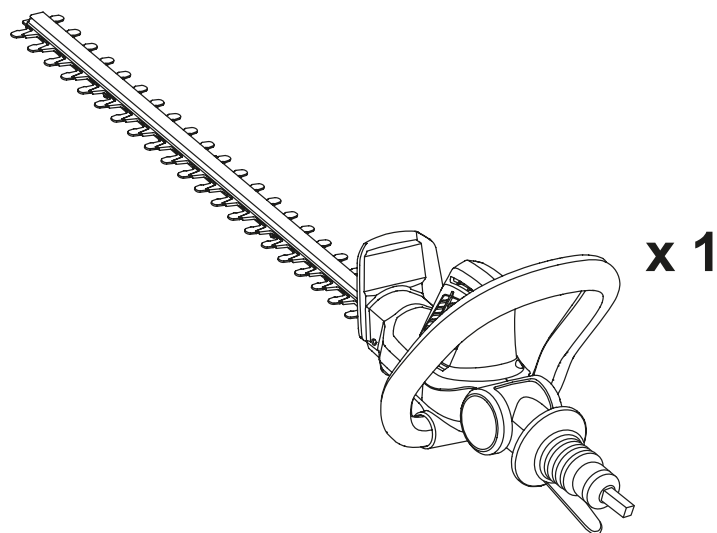
Частите или принадлежностите се продават отделно



България

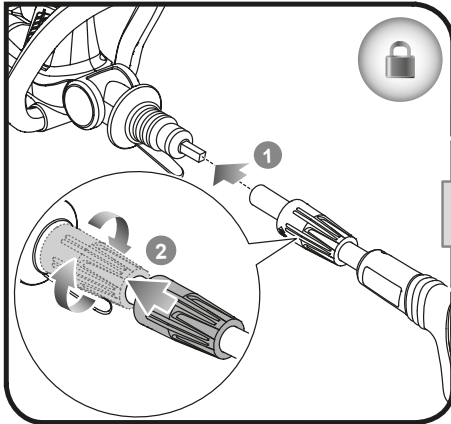
- EN
- FR
- DE
- ES
- IT
- NL
- PT
- DA
- SV
- FI
- NO
- RU
- PL
- CS
- HU
- RO
- LV
- LT
- ET
- HR
- SL
- SK
- BG**



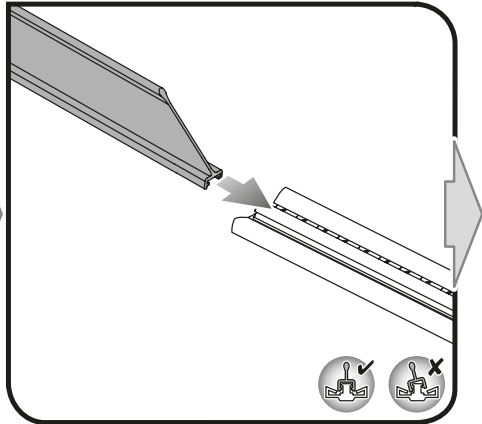




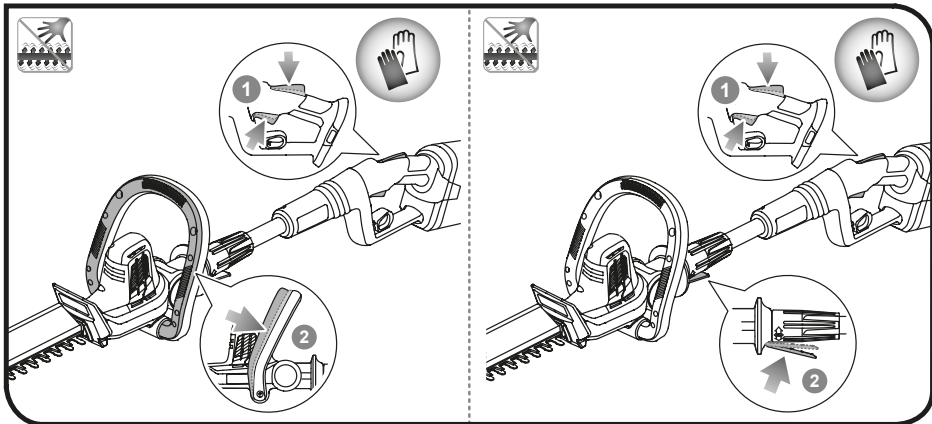
1



2

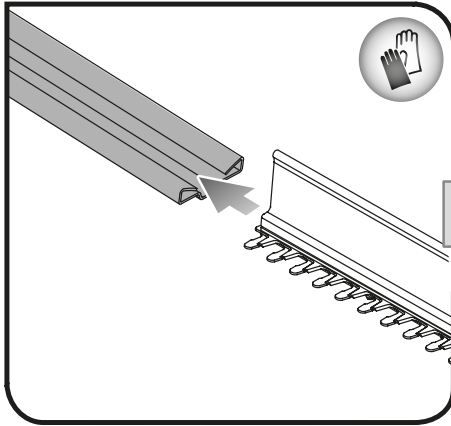


5

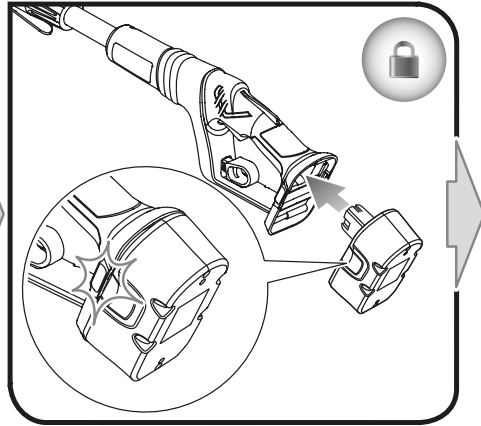




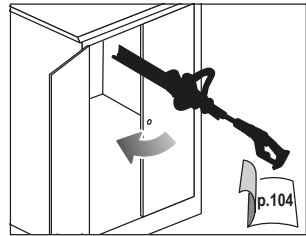
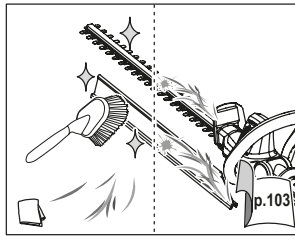
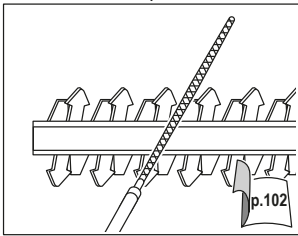
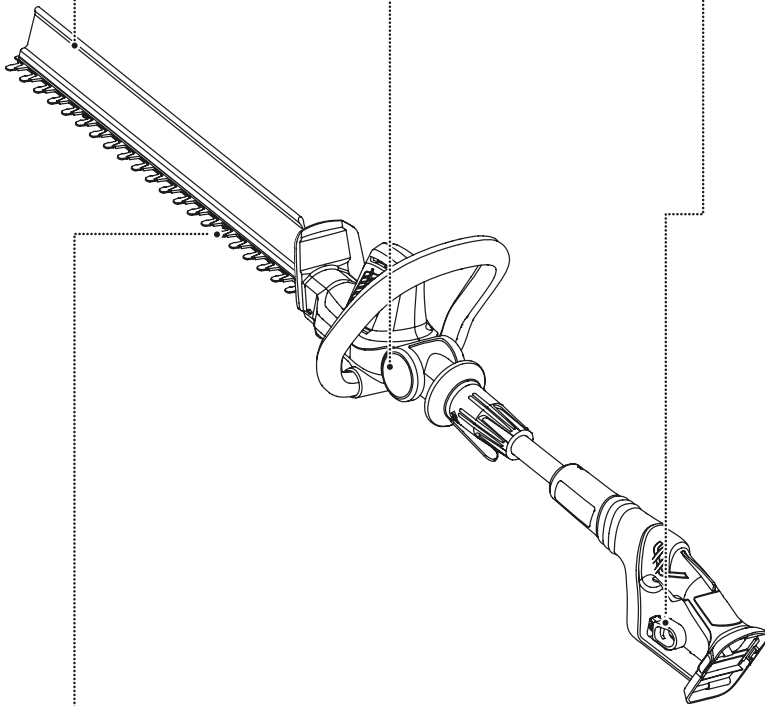
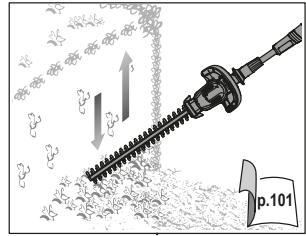
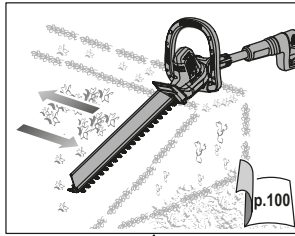
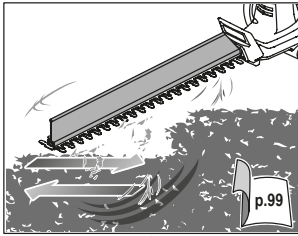
3

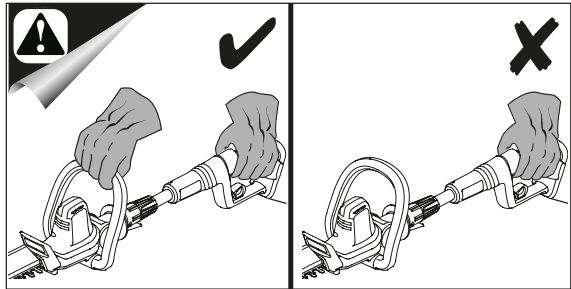
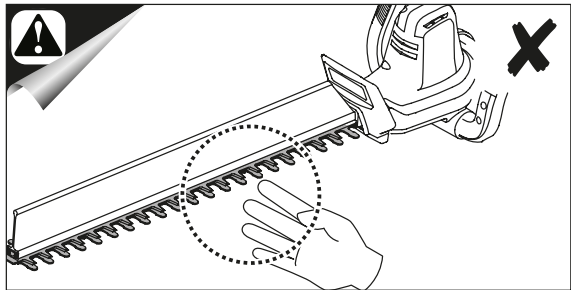
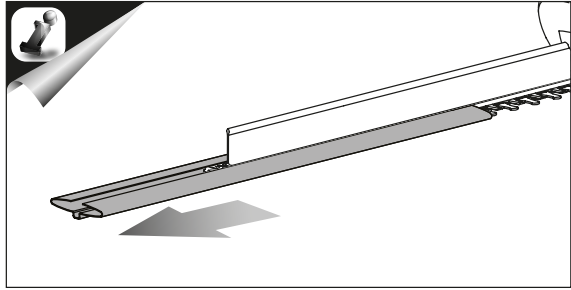


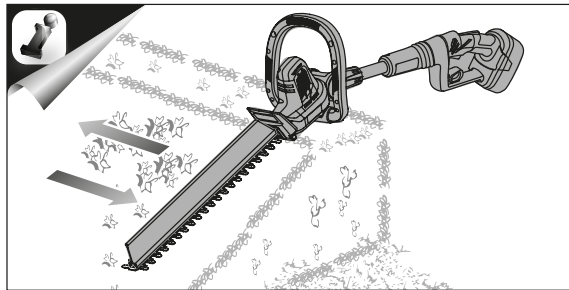
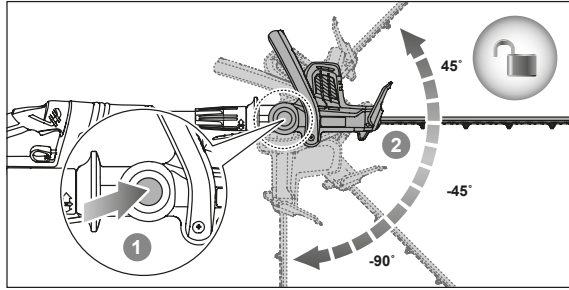
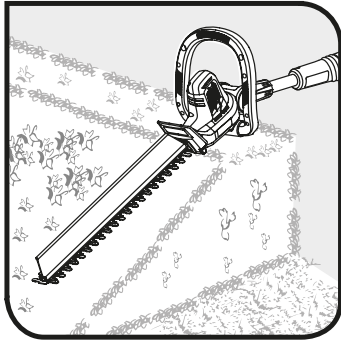
4

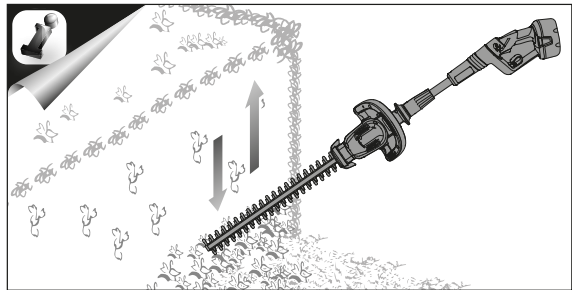
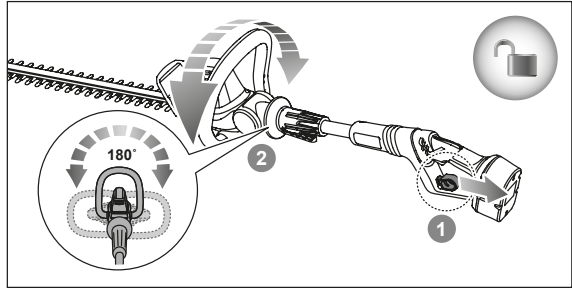
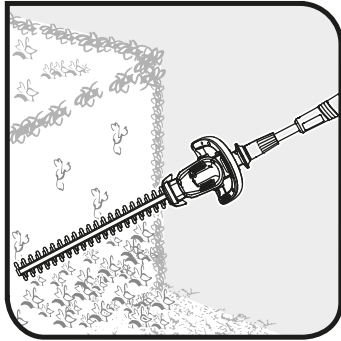


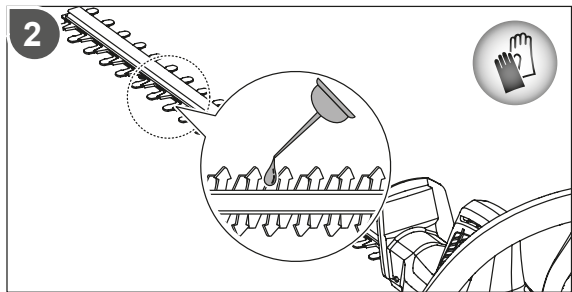
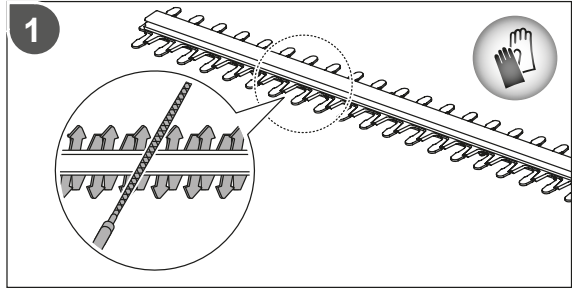
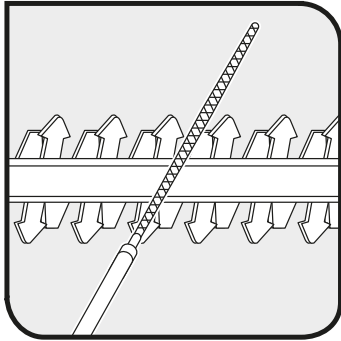


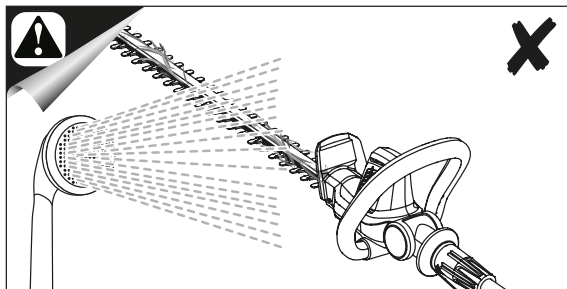
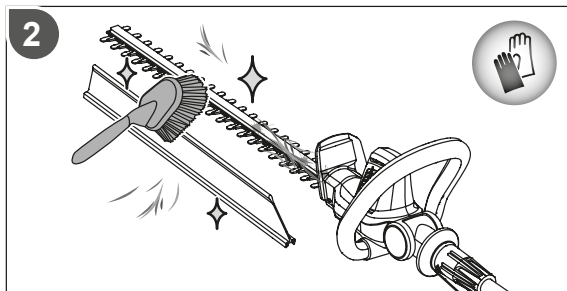
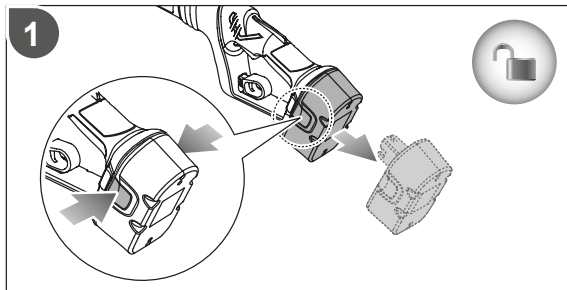
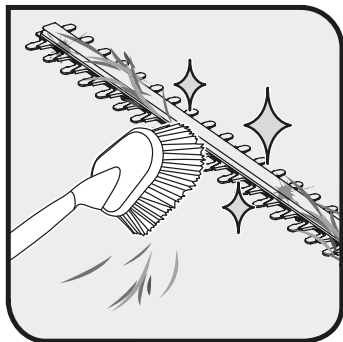


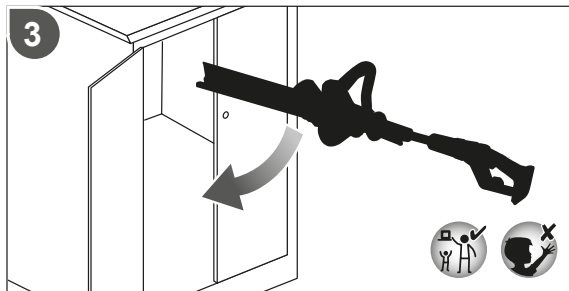
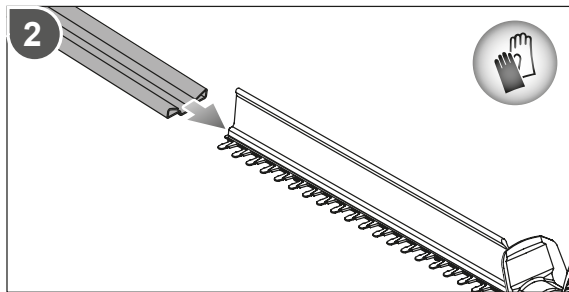
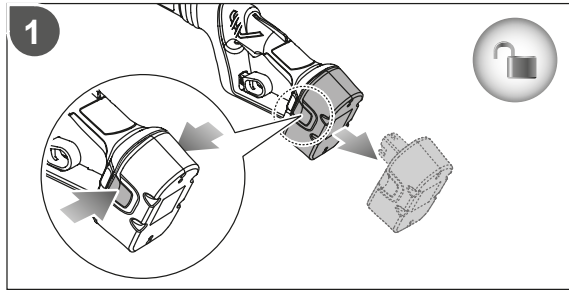
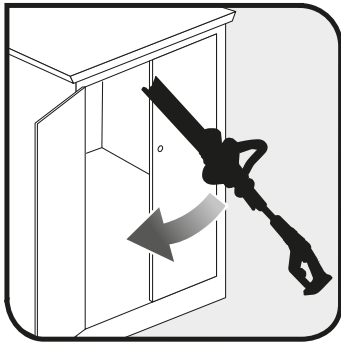
















English	Français	Deutsch	Español	Italiano	Nederlands
Product specifications	Caractéristiques produit	Produkt-Spezifikationen	Especificaciones del producto	Caratteristiche del prodotto	Productgegevens
Model	Modèle	Model	Modelo	Modello	Model
Voltage	Tension	Elektrische Spannung	Tensión	Voltaggio	Spanning
No-load speed	Vitesse de rotation	Leeraufgeschwindigkeit	Velocidad sin carga	Velocità senza carico	Snelheid zonder lading
Blade Speed	Vitesse de la Lame	Klingengeschwindigkeit	Velocidad de la cuchilla	Velocità lama	Snijbladsnelheid
Blade Length	Longueur de la Lame	Klingenlänge	Longitud de la cuchilla	Lunghezza lama	Snijbladlengte
Cutting Capacity	Capacité de coupe	Schnittbreite Durchmesser	Capacidad de corte	Capacità di taglio	Snijcapaciteit
A-weighted sound pressure level	Niveau de pression sonore pondéré-A	A-bewerteter Schalldruckpegel	Nivel de presión acústica ponderada en A	Livello di pressione sonora pesato A	A-gewogen geluidsdrukniveau
A-weighted sound power level	Niveau de puissance sonore pondéré-A	A-bewerteter Schalleistungspegel	Nivel de potencia acústica ponderada en A	Livello di potenza sonora pesato A	A-gewogen geluidsniveau
<b>Vibration</b>	<b>Vibrations</b>	<b>Vibrationen</b>	<b>Vibración</b>	<b>Vibrazione</b>	<b>Trillingen</b>
Front handle	Poignée avant	Vorderer Haltegriff	Mango delantero	Manico anteriore	Voorste handvat
Rear handle	Poignée arrière	Hinterer Haltegriff	Mango trasero	Manico posteriore	Achterste handvat
Weight (without battery pack)	Poids (sans batterie)	Gewicht (Ohne Akku)	Peso (sin batería)	Peso (senza batteria)	Peso (zonder accupak)

Polski	Čeština	Magyar	Română	Latviski	Lietuviškai
Parametry techniczne	Technické údaje produktu	Termék műszaki adatai	Specificațiile produsului	Produkta specifikācijas	Gaminio techninės savybės
Model	Model	Típus	Model	Modelis	Modelis
Napięcie	Elektrické napětí	Feszültség	Tensiune	Spriegums	Ītampa
Prędkość obrotowa bez obciążenia	Rychlost naprázdno	Üresjáratú fordulatszám	Viteză fără sarcină	Greitis be apkrovimo	Greitis be apkrovimo
Prędkość ostrza	Rychlost žací lišty	Kés sebessége	Viteza lamei	Asmeņu ātrums	Geležties greitis
Długość ostrza	Délka žací lišty	Kés hossza	Lungimea lamei	Asmeņu garums	Geležties ilgis
Szerokość cięcia	Řezací kapacita	Vágási teljesítmény	Lungimea de tăiere	Griešanas dziļums	Pjovimo talpa
A-ważony poziom ciśnienia hałasu	Hladina akustického výkonu vážená funkcí A	A-súlyozott hangnyomásszint	Nivel de presiune acustică ponderată A	A-ļmeņa skaņas spiediena līmenis	A-svertinis garso galios lygis
A-ważony poziom natężenia hałasu	Hladina akustického tlaku vážená funkcí A	A-súlyozott hangteljesítményszint	Nivel de putere acustică ponderată A	A-ļmeņa skaņas jaudas līmenis	A-svertinis akustinis lygis
<b>Vibracje</b>	<b>Vibrace</b>	<b>Rezgésszint</b>	<b>Vibrații</b>	<b>Vibrācija</b>	<b>Vibrācijas</b>
Uchwyt przedni	Přední rukojeť	Elülső fogantyú	Mâner anterior	Priekšējais rokturis	Priekinė rankena
Uchwyt tylny	Zadní rukojeť	Hátsó fogantyú	Mâner posterior	Aizmugurējais rokturis	Galinė rankena
Greutate (bez acumulatora)	Waga (není vložen akumulátor)	Bec (akkumulátor nélkül)	Tömeg (Fără baterie)	Teža (bez akumulatora)	Težina (be akumulatorinės baterijos)

Português	Dansk	Svenska	Suomi	Norsk	Русский	
Características do aparelho	Produktspecifikationer	Produktspecifikationer	Tuotteen tekniset tiedot	Produktspecificasjoner	Характеристики изделия	
Modelo	Model	Modell	Malli	Modell	Модель	OHT1850X / RHT1850XLi
Voltagem	Spænding	Spänning	Jännite	Spenning	Напряжение	18V
Velocidade sem carga	Tomgangshastighed	Hastighed utan belastning	Nopeus ilman kuormaa	Tomgangshastighet	Холостая скорость	1200 min <sup>-1</sup>
Velocidade da lâmina	Knivhastighed	Bladets hastighet	Terän nopeus	Knivhastighet	Скорость хода полотна	2400 SPM
Comprimento da lâmina	Knivlængde	Bladets längd	Terän pituus	Bladlengde	Длина режущего полотна	500 mm
Capacidade de corte	Skærekapacitet	Trimmingskapacitet	Leikkauskapasiteetti	Klippekapasitet	Сокращение вместимости	16 mm
Nível de pressão sonora ponderada A	A-vægtet lydtrykniveau	A-vägd ljudtrycksnivå	A-painotettu äänenpainetaso	A-vektet lydtryknivå	Уровень А-взвешенного звукового давления	Lpa: 77,0 dB(A), K=3dB(A)
Nível de potência sonora ponderada A	A-vægtet lydeffektniveau	A-vägd ljudeffektsnivå	A-painotettu äänenteho	A-vektet lydeffektnivå	Уровень А-взвешенной звуковой мощности	Lwa: 85,6dB(A), K=0,68dB(A)
<b>Vibration</b>	<b>Vibration</b>	<b>Vibration</b>	<b>Vibration</b>	<b>Vibrasjon</b>	<b>Вибрация</b>	
Pega frontal	Forhåndtag	Framre handtag	Etukädensija	Fremre håndtak	Передняя ручка	≤2.5 m/s <sup>2</sup> , K = 1.5 m/s <sup>2</sup>
Pega traseira	Baghåndtag	Bakre handtag	Takakädensija	Bakre håndtak	Задняя ручка	≤2.5 m/s <sup>2</sup> , K = 1.5 m/s <sup>2</sup>
Gewicht (sem bateria)	Vikt (ingen batteri)	Vægt (utan batteri)	Vekt (Ilman akkua)	Paino (uten batteri)	Нмолност (Без аккумулятора)	3.2 kg

Eesti	Hrvatski	Slovensko	Slovenčina	Бългaрия	
Toote tehnilised andmed	Specifikacije proizvoda	Specifikacije izdelka	Špecifikácie produktu	Технически характеристики	
Mudel	Model	Model	Modelis	Модел	OHT1850X / RHT1850XLi
Pinge	Napon	Napetost	Napätie	Напряжение	18V
Tühikäigukirus	Brzina bez opterećenja	Hitrost neobremenjenega motorja	Rýchlosť naprázdno	Скорост в ненатоварен режим	1200 min <sup>-1</sup>
Lõiketera kiirus	Brzina noža	Številno nihajev rezila	Otáčky ostria	Скорост на острието	2400 SPM
Lõiketera pikkus	Duljina noža	Dolžina rezila	Dĺžka ostria	Дължина на острието	500 mm
Lõikevõimsus	Duljina rezanja	Kapaciteta rezanja	Kapacita rezania	Капацитет на рязане	16 mm
A-kaalutud helirõhu tase	Ponderirana razina tlaka zvuka	A-izmerjena raven zvočnega tlaka	Vážená A hladina akustického tlaku	Ниво на шумово налягане с равнище А	Lpa: 77,0 dB(A), K=3dB(A)
A-kaalutud helivõimsuse tase	Ponderirana razina zvučne snage	A-izmerjena raven zvočne moči	Vážená A hladina akustického výkonu	Ниво на силата на шума с равнище А	Lwa: 85,6dB(A), K=0,68dB(A)
<b>Vibratsioon</b>	<b>Vibracije</b>	<b>Vibracije</b>	<b>Vibrácie</b>	<b>Вибрации</b>	
Eesmine käepide	Prednja ručka	Sprednji ročaj	Predná rukoväť	Предна ръкохватка	≤2.5 m/s <sup>2</sup> , K = 1.5 m/s <sup>2</sup>
Tagumine käepide	Stražnja ručica	Zadnji ročaj	Zadná rukoväť	Задна ръкохватка	≤2.5 m/s <sup>2</sup> , K = 1.5 m/s <sup>2</sup>
Mass (ilma aku pakita)	Masé (bez baterije)	Svars (brez baterijskega)	Hmotnosť (bez batérie)	Тегло (Без батерия)	3.2 kg

English	Français	Deutsch	Español	Italiano	Nederlands	Português
Battery and charger	Batterie et chargeur	Akku und Ladegerät	Batería y cargador	Batteria e caricatore	Accu en oplader	Bateria e carregador
Model	Modèle	Model	Modelo	Modello	Model	Modelo
Battery Pack	Batterie	Akku	Batería	Batteria	Accu	Bateria
Weight	Poids	Gewicht	Peso	Peso	Peso	Gewicht
Charger	Chargeur	Ladegerät	Cargador	Caricatore	Lader	Carregador
Compatible Battery Packs	Packs Batterie Compatibles	Kompatible Akkus	Paquetes de batería compatibles	Gruppo batterie compatibili	Compatibele accupacks	Baterias Compatíveis
Compatible Charger	Chargeur compatible	Kompatibles ladegerät	Cargador compatible	Caricatore compatibile	Kompatibel oplader	Carregador compatível

Polski	Čeština	Magyar	Română	Latviski	Lietuviškai
Akumulator i ładowarka	Nabiječka a baterie	Akkumulátor és töltő	Bateria și încărcătorul	Akumulators un lādētājs	Akumulatorius ir įkroviklis
Model	Model	Típus	Model	Modelis	Modelis
Akumulator	Baterie	Akkumulátor	Acumulator	Akumulators	Baterija
Greutate	Waga	Bec	Tömeg	Teža	Težina
Ładowarka	Nabiječka	Töltő	Încărcător	Lādētājs	Įkroviklis
Pasujące akumulatory	Kompatibilní akumulátory	Kompatibilis akkumulátorok	Acumulatori compatibili	Savietojami akumulatoru komplekti	Suderinami baterijos paketai
Odpowiednia ładowarka	Kompatibilni nabiječka	Kompatibilis töltő	Încărcător compatibil	Saderīgs lādētājs	Tinkamas įkroviklis

Dansk	Svenska	Suomi	Norsk	Русский		
Batteri og oplader	Batteri och batteriladdare	Akku ja laturi	Batteri og lader	Аккумуляторная батарея и зарядное устройство	OHT1850X	RHT1850XLI
Model	Modell	Malli	Modell	Модель	--	BPL-1815
Batteri	Batteri	Akku	Batteri	Аккумулятор	--	0.48 kg
Vikt	Vægt	Vekt	Paino	Нмотност	--	BCL14183H
Oplader	Batteriladdare	Laturi	Lader	Зарядное устройство	--	0.78 kg
Kompatible batterier	Kompatibla batteripaket	Yhteensopivat akut	Kompatible batteripakker	Совместимая аккумуляторная батарея	BPL-1815 / BPL-1820	BPL-1815 / BPL-1820
Compatibele oplader	Passande laddare	Yhteensopiva laturi	Kompatibel lader	Совместимое зарядное устройство	BCL1418 / BCL14181H / BCL14183H	BCL1418 / BCL14181H / BCL14183H

Eesti	Hrvatski	Slovensko	Slovenčina	България		
Aku ja laadija	Baterija i punjač	Baterija in polnilnik	Akumulátor a nabijačka	Батерия и зарядно устройство	OHT1850X	RHT1850XLI
Mudel	Model	Model	Modelis	Модел	--	BPL-1815
Aku paketiiga	Baterija	Akumulator	Batéria	Батерия	--	0.48 kg
Mass	Masé	Svars	Hmotnosť	Тегло	--	BCL14183H
Laadija	Punjač	Polnilec	Nabijačka	Зарядно устройство	--	0.78 kg
Ühilduvad akupaketid	Kompatibilna pakiranjaa baterija	Združljive baterije	Kompatibilné jednotky akumulátorov	Съвместими батерии	BPL-1815 / BPL-1820	BPL-1815 / BPL-1820
Kasutatava laadija	Kompatibilni punjač	Združljiv polnilec	Kompatibilná nabijačka	Съвместимо зарядно устройство	BCL1418 / BCL14181H / BCL14183H	BCL1418 / BCL14181H / BCL14183H

## EN LIMITED WARRANTY

TTI warrants this outdoor product to be free of defects in material and workmanship for 24 months from the date of purchase by the original purchaser, subject to the limitations below. Please keep your invoice as proof of date of purchase.

**This warranty is only applicable where the product is used for personal and non-commercial purposes.** This warranty does not cover damage or liability caused by / due to misuse, abuse, accidental or intentional acts by user, improper handling, unreasonable use, negligence, failure by end user to follow operating procedures outlined in the user's manual, attempted repair by non-qualified professional, unauthorized repair, modification, or use of accessories and/or attachments not specifically recommended by authorized party. Please see your local dealer for list of authorized service centers in your area.

This warranty does not cover belts, brushes, bags, bulbs or any part which ordinary wear and tear results in required replacement during warranty period. This warranty does not cover transportation cost or consumable items such as fuses and batteries.

This limited warranty is void if the product's original identification (trade mark, serial number) markings have been defaced, altered or removed or if product is not purchased from an authorized reseller or if product is sold AS IS and / or WITH ALL FAULTS.

Where permitted, the provisions of this limited warranty are in lieu of any other written warranty, whether express or implied, written or oral, including any warranty of MERCHANTABILITY OR FITNESS FOR A PARTICULAR PURPOSE. IN NO EVENT SHALL WE BE LIABLE FOR SPECIAL, INCIDENTAL, CONSEQUENTIAL OR INCIDENTAL DAMAGES. OUR MAXIMUM LIABILITY SHALL NOT EXCEED THE ACTUAL PURCHASE PRICE PAID BY YOU FOR THE PRODUCT.

**This warranty is valid only in the European Union, Australia and New Zealand. Outside these areas, please contact your authorized Ryobi dealer to determine if another warranty applies.**

### AUTHORISED SERVICE CENTRE

To find an authorised service centre near you, visit ryobitools.eu.

## FR GARANTIE LIMITÉE

TTI garantit ce produit d'extérieur contre tout défaut de pièces et de main d'œuvre pour une durée de 24 mois à partir de la date d'achat par le premier acquéreur, avec les limitations ci-dessous. Veuillez conserver votre facture qui attestera de la date d'achat.

**Cette garantie ne s'applique que pour un usage privé et non commercial du produit.** Cette garantie ne couvre pas les dommages ou les responsabilités dus à une mauvaise utilisation, à un mauvais traitement accidentel ou intentionnel, à une mauvaise manipulation, à une utilisation déraisonnée, à de la négligence, au non respect par l'utilisateur final des procédures d'utilisations encadrées du mode d'emploi, à une tentative de réparation par du personnel non qualifié, à une réparation non autorisée, à une modification, ou l'utilisation d'accessoires non spécifiquement recommandés par une instance autorisée.

Cette garantie ne couvre pas les courroies, brosses, sacs, ampoules ou autres pièces d'œuvre normale dont le remplacement est nécessaire durant la période de garantie. Sauf mention contraire des lois applicables, cette garantie ne couvre pas les frais de port ou les consommables tels les fusibles.

Cette garantie limitée sera annulée si la signalétique d'identification originale (marque, n° de série) est effacée, abîmée ou absente ou si le produit n'a pas été acheté chez un revendeur autorisé ou si le produit est vendu TEL QUEL et/ou DANS L'ÉTAT.

Sujettes à toutes les lois locales applicables, les dispositions de cette garantie limitée remplacent toute autre garantie écrite, expresse ou implicite, écrite ou orale, y compris toute garantie de VALEUR MARCHANDE OU CORRESPONDANT À UNE UTILISATION PARTICULIÈRE. NOUS NE SERONS EN AUCUN CAS TENUS RESPONSABLES DES DOMMAGES SPÉCIAUX, DES FAUX-FRAIS, DES CONSÉQUENCES OU DOMMAGES SECONDAIRES. NOTRE RESPONSABILITÉ MAXIMALE N'EXCÉDERA PAS LE PRIX PAYÉ PAR L'ACQUÉREUR LORS DE L'ACHAT DU PRODUIT.

**Cette garantie n'est valable qu'au sein de l'Union Européenne, de l'Australie, et de la Nouvelle Zélande. En dehors de ces zones, veuillez contacter votre distributeur Ryobi autorisé pour vérifier si d'autres garanties sont applicables.**

### SERVICE APRÈS-VENTE AGRÉÉ

Pour trouver le service après-vente agréé le plus proche, rendez-vous sur ryobitools.eu.

## DE EINGESCHRÄNKTE GARANTIE

TTI garantiert, dass dieses Produkt für den Außengebrauch im Hinblick auf Material und Verarbeitungsgüte frei ist von allen Defekten, gültig für einen Zeitraum von 24 Monaten ab Datum des Kaufs durch den originalen Käufer, jedoch abhängig von den unten stehenden Beschränkungen. Bitte bewahren Sie Ihre Rechnung als Beweis des Kaufdatums auf.

**Diese Garantie ist nur dann anwendbar, wenn das Produkt für persönliche und nicht-kommerzielle Zwecke verwendet wird.** Diese Garantie erstreckt sich nicht auf einen Schaden oder Haftung, die durch/ aufgrund von falscher Anwendung, Missbrauch, zufälligen oder absichtlichen Handlungen des Nutzers verursacht wurden, oder durch eine unsachgemäße Handhabung, Nachlässigkeit oder das Versäumnis des Endnutzers, die im Benutzerhandbuch angegebenen Anweisungen zu befolgen, oder die versuchte Reparatur durch nicht-qualifiziertes Personal, die Modifikation oder Nutzung von Zubehörteilen und/oder Zusatzgeräten, die von der autorisierten Partei nicht ausdrücklich empfohlen werden.

Diese Garantie erstreckt sich nicht auf Riemen, Bürsten, Taschen, Birnen oder jedes sonstige Teil, das einer gewöhnlichen Abnutzung unterliegt und einen Ersatz im Rahmen des Garantiezeitraums erforderlich macht. Außer für den Fall einer ausdrücklichen gesetzlichen Vorschrift erstreckt sich diese Garantie nicht auf Transportkosten oder Verbrauchsgüter wie Sicherungen.

Diese eingeschränkte Garantie ist nichtig, falls die originalen Kennzeichen (Handelsmarke, Seriennummer) beschädigt, geändert oder entfernt wurden, oder falls das Produkt nicht bei einem autorisierten Einzelhändler gekauft, oder falls das Produkt in seinem IST-Zustand und / oder MIT ALLEN VORHANDENEN MÄNGELN verkauft wurde.

Abhängig von den anwendbaren lokalen Vorschriften gelten die Bestimmungen dieser Garantie anstelle jeder anderen schriftlichen Garantie, sei sie schriftlich oder mündlich, einschließlich jeder VERTRIEBSGARANTIE ODER GARANTIE IM HINBLICK AUF DIE GEEIGNETHET FÜR EINEN BESTIMMTEN ZWECK. UNTER KEINEN UMSTÄNDEN HAFTEN WIR FÜR SPEZIAL-, ZUFALLS-, FOLGE- ODER UNFALLSCHÄDEN. UNSERE GESAMTHAFTUNG SOLL DEN TATSÄCHLICHEN KAUFPREIS, DER FÜR DAS PRODUKT GEZAHLT WURDE, NICHT ÜBERSCHREITEN.

**Diese Garantie ist nur gültig in der Europäischen Union, Australien und Neuseeland. Bitte kontaktieren Sie Ihren autorisierten Ryobi-Händler außerhalb dieser Region, um festzulegen, ob eine andere Garantieleistung anzuwenden ist.**

### AUTORISIERTER KUNDENDIENST

Besuchen Sie ryobitools.eu, um einen autorisierten Kundendienst in Ihrer Nähe zu finden.

## ES GARANTÍA LIMITADA

TTI garantiza que este producto para uso externo estará libre de defectos en cuanto a materiales o mano de obra durante 24 meses desde la fecha de compra por el comprador original, sujeto a las limitaciones de abajo. Por favor guarde su factura como prueba de la fecha de compra.

**Esta garantía sólo es aplicable donde se use el producto para propósitos personales y no comerciales.** Esta garantía no cubre daños o responsabilidades causados o que se deban al mal uso, abuso, actos accidentales o intencionales por el usuario, manejo impropio, uso irrazonable, negligencia, por no seguir los procedimientos operativos descritos en el manual del usuario, intento de reparación por personal no calificado, reparación no autorizada, modificación o uso de accesorios y/o conexiones no específicamente recomendadas por la parte autorizada.

Esta garantía no cubre las correas, brochas, bolsas, bombillas o cualquier pieza que por el desgaste ordinario y natural resulte en el reemplazo necesario durante el periodo de garantía. A menos que se proporcione específicamente bajo la ley aplicable, esta garantía no cubre el costo de transporte o artículos consumibles tales como fusibles.

Esta garantía limitada será nula si las marcas de identificación original del producto (marca comercial, número de serie) se han borrado, alterado o retirado o si el producto no se ha comprado de un revendedor autorizado o si el producto se vende COMO ESTÁ y/o CON TODAS SUS FALLAS.

Sujeto a todas las regulaciones locales aplicables, las cláusulas de esta garantía limitada están en lugar de cualquier otra garantía por escrito, ya sea expresa o implícita, por escrito o verbal, incluso cualquier garantía de COMERCIABILIDAD O APTITUD PARA UN PROPOSITO PARTICULAR. EN NINGUN MOMENTO, SEREMOS RESPONSABLES DE DAÑOS ESPECIALES, INCIDENTALES, CONSECUENTES O INCIDENTALES. NUESTRA RESPONSABILIDAD MÁXIMA NO EXCEDERÁ AL PRECIO DE COMPRA REAL PAGADO POR USTED POR EL PRODUCTO.

**Esta garantía sólo es válida en la Unión Europea, Australia y Nueva Zelanda. Fuera estas áreas, por favor póngase en contacto con su distribuidor autorizado de Ryobi para determinar si aplica otra garantía.**

### SERVICIO TÉCNICO AUTORIZADO

Para encontrar el servicio técnico autorizado más cercano, visite ryobitools.eu.

## IT DICHIARAZIONE DI GARANZIA LIMITATA

I prodotti per esterni della TTI sono garantiti esenti da difetti originari di confezionamento per un periodo di 24 mesi dalla data di consegna all'utente finale originale, con le limitazioni di cui sotto. Si prega di conservare lo scontrino d'acquisto come prova di vendita originale e verifica della data del periodo di garanzia.

**Questa garanzia copre il prodotto solo se quest'ultimo è stato utilizzato per scopi personali e non commerciali.** Questa garanzia limitata non copre i danni causati da / derivanti da uso improprio, abuso, danni accidentali o intenzionali causati dall'utente, uso scorretto, incuria, negligenza, mancato rispetto da parte dell'utente delle procedure indicate nel manuale d'istruzioni, lavori effettuati da parti terze non qualificate, riparazioni non autorizzate, modifiche o uso di accessori e/o prolunghe non specificatamente raccomandate dalla ditta produttrice.

Questa garanzia non copre le cinghie di copertura, le spazzole, i sacchetti, le lampadine o qualsiasi altra parte che, a causa della sua normale usura o deterioramento, andrà sostituita durante il periodo di garanzia. A meno che non sia specificatamente indicato ai sensi della legge applicabile, questa garanzia non copre le spese di trasporto o gli elementi soggetti a usura come i fusibili. Questa garanzia verrà invalidata qualora elementi di identificazione originale del prodotto (marchio registrato, numero di serie) saranno stati cancellati, alterati o rimossi o se il prodotto non è stato acquistato da un rivenditore autorizzato o se viene venduto "COSÌ COM'È" e / o "CON DIFFETTI".

In conformità con tutte le norme locali applicabili, le disposizioni indicate in questa garanzia sostituiscono qualsiasi altra garanzia scritta, espresa o implicita, scritta o orale, compreso qualsiasi garanzia di COMMERCIALITÀ o IDONEITÀ A UN PARTICOLARE SCOPO. IN NESSUN CASO LA DITTA PRODUTTRICE SARÀ RESPONSABILE PER DANNI SPECIALI, ACCIDENTALI O CONSEGUENZIALI. LA RESPONSABILITÀ MASSIMA DELLA DITTA PRODUTTRICE NON SI ESTENDE OLTRE IL PREZZO PAGATO PER IL PRODOTTO DALL'UTENTE.

**Questa garanzia è valida solo all'interno dell'Unione Europea, in Australia e Nuova Zelanda. Gli utenti dei paesi situati al di fuori di queste aree, sono pregati di contattare il proprio rivenditore autorizzato Ryobi per verificare se la garanzia applicata nel proprio paese è diversa dalla presente.**

### CENTRO SERVIZI AUTORIZZATO

Per individuare il più vicino centro servizi autorizzato, visitare il sito [ryobitools.it](http://ryobitools.it).

## NL BEPERKTE GARANTIE

TTI garandeert dat dit outdoorproduct vrij is van gebreken in materiaal of vakmanschap voor 24 maanden vanaf de aankoopdatum door de originele koper, behoudens de hieronder genoemde beperkingen. Gelieve uw rekening te bewaren als bewijs van aankoopdatum.

**Deze garantie is slechts van toepassing waar het product voor persoonlijke en niet-commerciële doeleinden wordt gebruikt.** Deze garantie erkent geen aansprakelijkheid voor schade veroorzaakt door of ontstaan uit oneigenlijk gebruik, misbruik, onbewuste of bewuste oneigenlijke handelingen door de gebruiker, onredelijk gebruik, nalatigheid, het niet opvolgen van de gebruiksaanwijzing door de eindgebruiker, reparaties uitgevoerd door een niet erkende vakman, onbevoegd reparaties, het wijzigen of gebruiken van toebehoren en/of onderdelen die niet specifiek door een erkende partij worden geadviseerd.

Deze garantie is niet van toepassing op riemen, borstels, zakken, lampjes of welk onderdeel dan ook dat aan gewone slijtage onderhevig is en binnen de garantieperiode vervangen dient te worden. Voor zover niet specifiek vermeld in de van toepassing zijnde wetgeving, dekt deze garantie geen vervoerskosten of consumptieproducten zoals ontstekingen.

Deze beperkte garantie is nietig wanneer originele identificatiekenmerken van het product (merknaam, serienummer) niet meer leesbaar, gewijzigd of verwijderd zijn of wanneer het product niet van erkende handelaar wordt gekocht of als het product DUSDANIG en/of MET GEBREKEN wordt verkocht.

Met uitzondering van alle geldende lokale bepalingen, komen de bepalingen van deze beperkte garantie in plaats van elke andere geschreven garantie hetzij expliciet of impliciet, geschreven of mondeling, inclusief elke garantie van AANKOOP OF GESCHIKTHEID VOOR EEN BEPAALD DOEL. IN GEEN GEVAL ZIJN WIJ VOOR SPECIALE OF INCIDENTELE SCHADE OF VERVOLGSCHADE AANSPRAKELIJK. DE MAXIMALE AANSPRAKELIJKHEID ZAL DE DAADWERKELIJKE DOOR U BETAALDE AANKOOPPRIJS NIET Overschrijden.

**Deze garantie is slechts geldig binnen de Europese Unie, Australië en Nieuw Zeeland. Buiten deze gebieden, gelieve uw erkende Ryobi handelaar te contacteren om vast te stellen of een andere garantie van toepassing is.**

### GEAUTORISEERD ONDERHOUDSCENTRUM

Om een geautoriseerd onderhoudscentrum in uw buurt te vinden, surf u naar [ryobitools.eu](http://ryobitools.eu).

## PT GARANTIA LIMITADA

Este produto Ryobi está garantido contra os vícios de fabrico e as peças A TTI garante que este produto para o exterior não contém defeitos no material ou no confeccionamento. Esta garantia é válida durante 24 meses a partir da data de compra pelo comprador de origem, sujeita às limitações referidas abaixo. Por favor, guarde a sua factura como prova de data de compra.

**Esta garantia só se aplica quando o produto é utilizado para fins pessoais e não comerciais.** Esta garantia não abrange danos ou responsabilidades causadas pelo uso incorreto, abuso, actos accidentais ou intencionais pelo utilizador, manipulação indevida, uso não razoável, negligência, incumprimento do utilizador final em seguir os procedimentos de funcionamento referidos no manual de instruções, tentativa de reparação por um profissional não qualificado, reparações, modificações ou usos não autorizados dos acessórios e/ou peças anexas que não sejam especificamente recomendados pela parte autorizada.

Esta garantia não abrange as correias, escovas, sacos, lâmpadas ou qualquer peça cujo desgaste habitual resulte na sua substituição durante o período de garantia. Excepto se for especificado pela lei aplicável, esta garantia não abrange os custos de transporte ou os artigos consumíveis, tais como os fusíveis.

Esta garantia limitada é nula se as marcas de identificação original do produto (marca registada, número de série) tiverem sido danificadas, alteradas ou retiradas ou, se o produto não for comprado por um revendedor autorizado ou, se o produto for vendido como DEFEITUOSO e/ou COM TODAS AS FALHAS. Sujetas a todas as normas locais aplicáveis, as disposições desta garantia limitada substituem qualquer outra garantia por escrito, quer explícita ou implícita, escrita ou oral, incluindo qualquer garantia de CAPACIDADE DE EXPLORAÇÃO OU APTIDÃO PARA UM FIM PARTICULAR. EM NENHUM CASO SEREMOS RESPONSÁVEIS POR DANOS ESPECIAIS, INCIDENTAIS OU CONSEQUENTES. A NOSSA RESPONSABILIDADE MÁXIMA NÃO EXCEDERÁ O PREÇO DE COMPRA ACTUAL QUE TERÁ PAGO PELO PRODUTO.

**Esta garantia só é válida na União Europeia, Austrália e Nova Zelândia. Fora dessas zonas, por favor contacte o seu revendedor autorizado Ryobi para determinar se é aplicável outra garantia.**

### CENTRO DE ASSISTÊNCIA AUTORIZADO

Para encontrar un centro de assistência autorizado próximo de si, visite [ryobitools.eu](http://ryobitools.eu).

## DA BEGRÆNSET GARANTI

TTI garanterer at dette udendørs produkt er fri for defekter af materiale og håndværk i 24 måneder efter købsdatoen fra den oprindelige køber, dog med nedenstående begrænsninger. Gem venligst din kvittering som bevis for købsdato.

**Denne garanti er kun gældende hvis produktet anvendes til personlig og ikke-kommercielle formål.** Denne garanti dækker ikke skader eller erstatningsansvar forårsaget af / som følge af forkert anvendelse, misbrug, utilsigtede eller tilsigtede handlinger af brugeren, ukorrekt brug, urimelig brug, forsømmelighed, hvis brugeren ikke er i stand til at følge instruktionerne i brugermanualen, forsagt reparation af en ikke-kvalificeret person, uautoriseret reparation, foretagelse af ændringer, eller brug af tilbehør og/eller dele som ikke specifikt er anbefalet af producenten.

Denne garanti dækker ikke bæltter, børster, tasker, pærer eller andre dele hvis almindelig slid og siltage kræver udskiftning indenfor garantiperioden. Med mindre det er specificeret under gældende lovgivning, så dækker denne garanti ikke transportomkostninger eller brugsartikler, såsom sikringer.

Denne begrænsede garanti annulleres hvis produktets originale identifikation (varemærke, serienummer) markeringer er ødelagt, ændret eller fjernet eller hvis produktet ikke er købt fra en autoriseret forhandler eller hvis produktet er solgt i AS IS og / eller WITH ALL FAULTS.

Er underlagt lokale regulativer, forudsætningerne for denne begrænsede garanti er i stedet for enhver anden skriftlig garanti, enten udtrykt eller antyder, skriftligt eller mundtligt, inklusive enhver garanti angående SALGBARHED ELLER EGNETHED TIL ET GIVENT FORMÅL. VI ER UNDER INGEN OMSTÆNDIGHEDER ANSVARLIG FOR SPECIELLE, RESULTERENDE ELLER TILFÆLDIGE SKADER, VORES MÅKSIMALE ANSVAR KAN IKKE OVERSKRIDE DEN FAKTISKE KØBSPRIS BETALT FOR PRODUKTET.

**Denne garanti er kun gældende i EU, Australien og New Zealand. Udenfor disse områder, så kontakt venligst din autoriserede Ryobi forhandler for at finde ud af, om en anden garanti måtte være gældende.**

### AUTORISERET SERVICECENTER

Find nærmeste autoriserede servicecenter på: [www.ryobitools.eu](http://www.ryobitools.eu).



## SV BEGRÄNSAD GARANTI

TTI garanterar att denna utomhusprodukt är fri från fel vad gäller material och tillverkning i 24 månader från originalinköparens inköpsdatum, begränsat enligt nedan. Behåll kvittot som bevis på inköpsdatum.

**Denna garanti är enbart giltig där produkten används för personligt och icke-kommersiellt bruk.** Denna garanti täcker inte skador eller ansvar orsakad av felanvändning, vanvård, oavsiktlig eller avsiktlig handling hos användaren, felaktigt hantering, orimlig användning, vårdslöshet, slutanvändares misslyckande att följa användningsanvisningar som framgår i användarmanualen, försök till reparation av icke-kvalificerad yrkesman, otillåten reparation, modifiering eller användning av tillbehör och/eller tillbyggnader som inte är rekommenderade av auktoriserad part.

Denna garanti täcker inte bälten, borstar, påsar, lampor eller andra delar som behöver bytas under garantiperioden på grund av normalt slitage. Denna garanti gäller inte transportkostnader eller förbrukningsartiklar så som säkringar, om inte annat anges i applicerbar lag.

Denna begränsade garanti är förbrukad om produktens originalidentifikationsmärken (trade mark, serienummer) är borttagna, ändrade eller borttagna eller om produkten inte är inköpt från en auktoriserad återförsäljare eller om produkten är såld i befintligt skick.

Föremål för alla applicerbara, lokala ordningsregler. Villkoren i denna begränsade garanti gäller istället för alla andra skrivna garantier, oavsett om de är uttryckta eller implicerade, skriva eller muntliga, inklusive alla garantier för SÄLJBARHET ELLER LÄMPLIGHET FÖR ET SPECIELLT SYFTE. VI KAN ALDRIG HÅLLAS ANSVARIGA FÖR SPECIELLA, OAVSIKTLIGA, FÖLJDRIKTLIGA ELLER OAVSIKTLIGA SKADOR. VÅRT MAXIMALA ANSVAR SKÅ INTE ÖVERSTIGA DET FAKTISKA INKÖPSPRISSET SOM DU BETALADE FÖR PRODUKTEN.

Denna garanti gäller endast inom den Europeiska Unionen, i Australien och i Nya Zeeland. Kontakta din auktoriserade Ryobi-handlare för att avgöra om några andra garantier gäller utanför dessa områden.

## AUKTORISERAT SERVICECENTER

Du hittar närmaste auktoriserade servicecenter genom att gå till [www.ryobitools.eu](http://www.ryobitools.eu).

## FI RAJOITETTU TAKUU

TTI takaa alkuperäiselle ostajalle tämän ulkoilutootteen olevan virheetön materiaaaliltaan tai laadultaan 2 vuoden ajan ostopäivästä lähtien ottaen huomioon alla olevat rajoitukset. Säilytä laskusi todisteena ostopäivästä.

**Tämä takuu on pätevä vain silloin kun tuotetta käytetään henkilökohtaiseen ja ei-kaupalliseen tarkoitukseen.** Tämä takuu ei käsitä vauriota tai vastuuvetoilisuutta, joka on aiheutunut käyttäjän väärinkäytöstä, satunnaisesta tai tahallisuudesta teosta, epäasianmukaisesta käsittelystä ja käytöstä, käyttäjän laiminlyönnistä noudattaa käyttöohjeessa pääpiirteittäin esitettyjä toimenpiteitä, epäpätevän ammattilaisen korjausyritystä, valtuuttamatonta korjausta, muuttamista tai lisälaitteiden jätai kojeiden käyttöä, jota valtuutettu osapuoli ei nimenomaan ole suositellut.

Tämä takuu ei käsitä hinnoja, harjoja, laukkuja, lampuja tai mitään osia, jotka on vaihdettava tavallisen vuoski takaua aikana. Ellei sovellettavan lain mukaan ole erityisesti säädetty, tämä takuu ei koske kuljetuskustannuksia tai kulutustavaroita kuten sulakkeita.

Tämä rajoitettu takuu on mitätön, jos tuotteen alkuperäiset tunnistusmerkinnät (tavaramerkki, sarjanumero) on turmeltu, muutettu tai poistettu tai jos tuotetta ei ole ostettu valtuutetulta jälleenmyyjältä tai jos tuote on myyty ilman takeita tavarain laadusta jätai kaikkein vikoineen.

Kuuluen kaikkien sovellettavien paikallisten määräysten piiriin tämän rajoitetun takuun ehtoja voidaan soveltaa muuten takuuden asemasta sellaisenaan tai suoraan. Mikään muu vastaavaan tarkoitukseen sopiva takuu ei rajoita tätä takuuta.

**Tämä takuu on voimassa vain Euroopan unionissa, Australiassa ja Uudessa Seelannissa.** Näiden alueiden ulkopuolella ota yhteyttä Ryobin valtuutetun jälleenmyyjään ottaaksesi selville päteekö jokin muu takuu.

## VALTUUTETTU HUOLTO

Voit etsiä lähimmän valtuutetun huollon sivulta [ryobitools.eu](http://ryobitools.eu).

## NO GARANTIBEGRENSNINGER

TTI garanterer at dette produktet til utendørs bruk er fri for feil i material og tilvirkning i 24 måneder fra datoen når det opprinnelige ble kjøpt med de begrensninger som er gitt nedenfor. Vennligst ta vare på kvitteringen som bevis på kjøpsdato.

**Denne garantien kommer kun til anvendelse dersom produktet brukes privat og i ikke kommersiell sammenheng.** Denne garantien dekker ikke skader eller ansvar forårsaket av / forårsaket av feil bruk, misbruk, dersom brukeren gjør noe ulisikket eller med vilje, uriktig håndtering, urimelig bruk, uaktsomhet, dersom sluttbruker ikke overholder bruksanvisningen, dersom det gjøres forsøk på reparasjoner av ukvalifisert personale, ikke autoriserte reparasjoner, endringer eller bruk av tilleggsutstyr og/eller påmonteringer som ikke er særskilt anbefales av autorisert part.

Denne garantien gjelder ikke belter, børster, bager, lyspærer eller andre deler som har en vanlig slitasje som krever utstifting innenfor garantiperioden. Dersom ikke annet er spesifisert i gjeldende lov, så dekker denne garantien ikke transportkostnader eller forbruksvarer som f. eks. sikringer.

Denne begrensede garantien er ugyldig dersom produktets originale ID (varemerke, serienummer) har blitt gjort uleselig, endret eller fjernet, eller dersom produktet ikke er kjøpt av en autorisert forhandler eller dersom produktet er solgt AS IS og / eller MED ALLE FEIL.

Garantien følger alle gjeldende lokale regler. Bestemmelsene i denne begrensede garantien gjelder istedenfor alle andre skriftlige garantier, eksplisitte eller implisitte, skriftlige eller muntlige, deriblant garantier om SALGBARHET ELLER DUGELIGHET FOR ET BESTEMT FORMÅL. VI PÅTAR OSS IKKE ANSVAR FOR SPECIELLE, TILFELDIGE, FØLGE- ELLER ANDRE SKADER. VÅRT MAKSIMALE ANSVAR OVERSTIGER IKKE DEN VIRKELIG BETALTE KJØPSPRISEN SOM DU HAR BETALT FOR PRODUKTET.

Denne garantien gjelder kun for den Europeiske Union, Australia og New Zealand. Utenfor disse regionene: ta vennligst kontakt med din autoriserte Ryobi forhandler for å undersøke om det er andre garantibestemmelser som gjelder.

## AUTORISERT SERVICECENTER

For å finne et autorisert servicecenter i nærheten, gå til [www.ryobitools.eu](http://www.ryobitools.eu).

## RU ОГРАНИЧЕННАЯ ГАРАНТИЯ

TTI предоставляет гарантию на данный товар, предназначенный для наружного применения, в том, что он не имеет дефектов по качеству материала или исполнения, на срок 24 месяца от даты совершения покупки персональным покупателем, при условии соблюдения приведенных ниже ограничений. Храните счет-фактуру в качестве подтверждения даты покупки.

**Данная гарантия имеет силу только в случае, если продукт используется в личных или некоммерческих целях.** Данная гарантия не распространяется на ущерб или финансовые обязательства, вызванные / связанные с ненадлежащим применением, неправильной эксплуатацией, случайным или преднамеренным повреждением со стороны пользователя, неправильной транспортировкой, необоснованным использованием, халатностью, неисполнением конечным пользователем порядка эксплуатации, изложенного в инструкции по эксплуатации, неудачной попыткой ремонта силами невалифицированного персонала, несанкционированным ремонтом, изменением, или использованием вспомогательных приборов и / или принадлежностей, в частности, не рекомендованных авторизованным сервис-центром.

Данная гарантия не распространяется на пилы, щетки, чехлы, лампы или любые иные предметы, как правило, подверженные износу, срабатыванию и замене во время гарантийного периода. Если специально не оговорено в действующем законодательстве, данная гарантия не распространяется на стоимость транспортировки или такие расходные детали как, например, предохранители.

Данная ограниченная гарантия считается недействительной в случае, если оригинальная идентификационная маркировка товара (торговая марка, заводской номер) повреждена, изменена или удалена, или если товар куплен не у авторизованного дилера, или если товар продан «КАК ЕСТЬ» и / или «СО ВСЕМИ НЕДОСТАТКАМИ БЕЗ ГАРАНТИИ».

В соответствии со всеми применимыми местными нормативными актами, положения данной ограниченной гарантии заменяют любые иные письменные гарантии, явно выраженные или подразумеваемые, письменные или устные, включая любые гарантии ТОВАРНОГО СОСТОЯНИЯ ИЛИ ПРИГОДНОСТИ ДЛЯ ОСОБЫХ ЦЕЛЕЙ. МЫ НИ КОИМ ОБРАЗОМ НЕ НЕСЕМ НИКАКОЙ ОТВЕТСТВЕННОСТИ ЗА СПЕЦИАЛЬНЫЕ, ПОБОЧНЫЕ, ПОСЛЕДУЮЩИЕ ИЛИ СЛУЧАЙНЫЕ ПОВРЕЖДЕНИЯ ТОВАРА. НАША МАКСИМАЛЬНАЯ ОТВЕТСТВЕННОСТЬ НЕ ПРЕВЫШАЕТ ФАКТИЧЕСКОЙ ПОКУПНОЙ ЦЕНЫ, УПЛАЧЕННОЙ ВАМИ ЗА ТОВАР.

**Данная гарантия действительна исключительно в странах Европейского Союза, в Австралии и Новой Зеландии.** За пределами этих стран вам следует связаться с вашим авторизованным дилером Ryobi для установления возможности применения иных гарантий.

## УПОЛНОМОЧЕННЫЙ СЕРВИСНЫЙ ЦЕНТР

Чтобы найти ближайший уполномоченный сервисный центр, обратитесь к веб-сайту [ryobitools.eu](http://ryobitools.eu).

## PL OGRANICZONA GWARANCJA

TTI gwarantuje, że niniejszy produkt przeznaczony do użytku zewnętrznego jest wolny od usterek materiału i robocizny i przez 24 miesiące, licząc od daty zakupu przez pierwszego kupującego objęty jest podanymi niżej ograniczeniami. Proszę zachować fakturę jako dowód kupna.

**Niniejsza gwarancja nie ma zastosowania jeśli produkt stosowany jest do celów osobistych oraz do celów nie-handlowych.** Niniejsza gwarancja nie obejmuje uszkodzeń lub odpowiedzialności za i wskutek niewłaściwego użycia, nadużycia spowodowanego przypadkowym lub celowym działaniem użytkownika, wskutek nieprawidłowej obsługi, bezsensownego użycia, zaniedbania, nieprzestrzegania przez użytkownika końcowego procedur roboczych podanych w podręczniku użytkownika, prób naprawy podejmowanych przez niewykwalifikowane osoby, nieautoryzowanej naprawy, modyfikacji lub użycia części i/lub podzespołów nie zalecanych przez autoryzowaną firmę.

Niniejsza gwarancja nie obejmuje pasów, szcztetek, terek, żarówek lub innych części podlegających zużyciu, które wymaga wymiany tychże elementów w czasie obowiązywania gwarancji. Jeśli ustawodawstwo prawne nie stwierdza inaczej, niniejsza gwarancja nie obejmuje kosztów transportu lub takich pozycji jak ubezpieczniki.

Niniejsza gwarancja traci ważność jeśli oryginalne symbole identyfikacyjne (znaki handlowe, numer seryjny) zostały zniszczone, zmienione lub usunięte lub jeśli produkt nie został zakupiony w autoryzowanym punkcie sprzedaży TAK JAK JEST i/lub ZE WSZYSTKIMI USTERKAMI.

Niniejsza gwarancja podlega wszelkim miejscowym regulacjom prawnym, postanowieniom niniejszej ograniczonej gwarancji obowiązującej zamiast wszelkich innych gwarancji pisemnych, podanych wprost lub ukrytych, pisemnych lub ustnych, obejmujących wszelkie gwarancje RYNKOWE LUB ZDOLNOŚĆ DO KONKRETNEGO ZASTOSOWANIA. W ŻADNYM WYPADKU NIE PONOSIMY ODPOWIEDZIALNOŚCI ZA USZKODZENIA SPECJALNE, PRZYPADKOWE LUB NIEPRZEZACIĄGANE. NASZA MAKSYMALNA GWARANCJA NIE MOŻE PRZEKRACZAĆ AKTUALNEJ CENY ZAKUPU DOKONANEJ ZA NINIEJSZY PRODUKT.

**Niniejsza gwarancja ważna jest tylko w krajach Unii Europejskiej, Australii i Nowej Zelandii.** Nabywców z innych krajów prosimy o kontakt z autoryzowanym dealerm Ryobi, w celu stwierdzenia, czy zastosowanie ma jakas inna gwarancja.

### AUTORYZOWANY PUNKT SERWISOWY

Najbliższy autoryzowany punkt serwisowy można wyszukać w witrynie internetowej ryobitools.eu.

## CS OMEZENÁ ZÁRUKA

TTI zaručuje, že tento výrobek outdoor (pro vycházky v přírodě) musí být bez vad na materiálu nebo bez výrobních vad po 24 měsících od data nákupu původním zákazníkem, kromě níže uvedených podmínek. Schovejte prosím vaši účtenku jako důkaz data nákupu.

**Tato záruka je platná pouze tam, kde se výrobek používá pro osobní a nekomerční účely.** Tato záruka nekrývá škody nebo rizika způsobená nesprávným používáním, zneužíváním, náhodnými nebo úmyslnými činy uživatele, nesprávnou obsluhou, nesmyslným používáním, nedbalostí, chybným dodržováním provozních činností koncového uživatele vypsanych v návodu k obsluze, opravami nekvalifikovaným odborníkem, nepověřenou opravou, úpravou nebo používáním příslušenství a/nebo doplňků výslovně nedoporučených pověřenou stranou.

Tato záruka se nevztahuje na postupy, kartáče, zavazadla, žárovky nebo jakékoli části, které běžným nošením a opotřebováním mají za následek nutnou výměnu během období záruky. Pokud je výslovně uvedeno podle platného zákona, se tato záruka nevztahuje na pokrytí přepravních nákladů nebo spotřebních položek, například pojistek.

Tato omezená záruka neplatí, pokud byl značkový originální identifikace výrobku (obchodní značka, sériové číslo) změněny, přepřacovaný nebo odstraněn, nebo pokud nebyl výrobek zakoupen od pověřeného výrobce, nebo pokud je výrobek prodán JAK JE A / nebo SE VŠEMI CHYBAMI.

Kromě všech místních platných nařízení, je obtarbaní této omezené záruky možno provést jakoukoliv jinou psanou zárukou, ať expresní či implicitní, psanou nebo mluvenou, včetně každé záruky SCHOPEŇE PRODEJE A KOUPE NEBO VODHNE PRO ZVLÁŠTNÍ ÚČELY. NE V KAŽDEM PŘÍPADU JSME ODPOVEDNÍ ZA ZVLÁŠTNÍ, VEDLEJŠÍ, VYPLYVAJÍCÍ NEBO NAHODILÉ ŠKODY. NAŠE MAXIMÁLNÍ ODPOVEDNOST NEPŘEVYŠÍ AKTUÁLNÍ KUPNÍ CENU VÁMI ZAPLACENOU ZA VÝROBEK.

**Tento záruka je platná pouze v Evropské unii, Australii a Novém Zélandu.** U ostatních oblastí prosím kontaktujte pověřeného prodejce Ryobi pro upřesnění, zda platí jiná záruka.

### POVĚŘENÉ SERVISNÍ STŘEDIŠKO

Pro nalezení nejbližšího pověřeného servisního střediska navštivte ryobitools.eu.

## HU KORLÁTOZOTT FELELŐSSÉG

A TTI garantálja ezen kültéri termék hibamentességét az anyaghibák és az készítés tekintetében, az eredeti vásárló számára a vásárlástól számított 24 hónapon át. Kérjük őrizze meg a számlát, mint a vásárlás dátumának bizonyítékát.

**Ez a garancia csak akkor érvényes, ha a termék kizárólag személyes és nem kereskedelmi célra használták.** A garancia nem vonatkozik a helytelen használat, rongálás, a felhasználó véletlen vagy szándékos tevékenysége, helytelen kezelés, céltalan használat, hanyagság, a felhasználói kézikönyvben leírt eljárások be nem tartása, szakképtelen személy által végzett javítás, engedély nélkül javítás, módosítás, vagy a nem engedélyezett kiegészítők és/vagy tartozékok használata során keletkezett károkra.

Ez a garancia nem vonatkozik az óvkeze, kefékre, tászkákra, izzókra vagy bármilyen más olyan alkatrésze, amely kopik és a garanciaperiódus alatt cseréje szükséges. Ha a vonatkozó jogszabályok nem írják elő, akkor a garancia nem vonatkozik semmilyen szállítási költségre vagy fogycsozkzre. Ez a korlátozott garancia érvényét veszti, ha a termék eredeti azonosító adatait (márkanév, sorozatszám) eltávolították, módosították vagy letakarták, illetve ha a terméket nem egy hivatalos forgalmazótól vásárolták, illetve a terméket KOTELEZETTSÉGVÁLLALÁS nélkül és / vagy HIBÁSAN adták el.

Minden helyi szabályozásnak megfelelően, ezen korlátozott garancia rendelkezései bármilyen más írásos garanciát helyettesítenek, legyen az kifejezett vagy halgatólagos, írásos vagy szóbeli, beleértve a FITNESS ELADHATÓSÁGÁT ÉGY BIZONYOS CÉLRA: SEMMILYEN ESETBEN NEM VÁLLALUNK FELELŐSSÉGET A SPECIÁLIS, ESETLEGES, KÖZVEWTLEN VAG KÖZVETETT KÁROKERT. A MAXIMÁLIS ANYAGI FELELŐSSÉGÜNK NEM HALADATJA MEG A TERMÉKERT ÖN ÁLTAL FIZETETT VÉTELÁRAT.

**Ez a garancia csak az Európai Unióban, Ausztráliában és Új-Zélandon érvényes.** Ezen területeken kívül lépjen kapcsolatba a hivatalos Ryobi forgalmazóval, egy másfajta garancia esetleges érvényességének meghatározása céljából.

### HIVATALOS SZERVIZŐZPONT

A legközelebbi hivatalos szervizközpont megtalálásához látogasson el a ryobitools.eu webhelyre.

## RO GARANȚIE LIMITATĂ

TTI garantează acest produs pentru uz exterior ca fiind lipsit de defecte ale materialelor sau a procesului de producție pentru o perioadă de 24 de luni de la data achiziției de către cumpărătorul original, și este subiect a limitărilor de mai jos. Vă rugăm păstrați factura ca dovadă a cumpărării lui.

**Această garanție este aplicabilă doar acolo unde produsul este folosit în scop personal și necomercial.** Această garanție nu acoperă distrugerea sau garanția cauzată/sau din cauza folosirii necorespunzătoare, utilizare abuzivă, accidentală sau intenționată de către utilizator, manipulare necorespunzătoare, folosire nerezonabilă, neglijență, nerespectarea de către utilizatorul final a procedurilor de operare subliniate în manualul de instrucțiuni, încercări de reparare din partea persoanelor necalificate, reparare neautorizată, modificarea sau folosirea accesoriilor și/sau a părților care nu au fost recomandate în mod specific de către partea autorizată.

Această garanție nu acoperă curetele, perile, sacii, becurile sau orice altă parte care în mod normal sunt folosite ca rezultat al înlocuirii necesare pe timpul perioadei de garanție. Dacă nu este specificat de către legile în vigoare, această garanție nu acoperă costul de transport sau obiectele consumabile, precum siguranțele.

Această garanție limitată este nulă dacă Însernele de identificare a produsului original (marca, numărul seriei) au fost deteriorate, distruse sau îndepărtate, sau dacă produsul nu este achiziționat de la un vânzător autorizat sau dacă produsul este vândut CA și/sau CU TOATE DEFECTELE.

Subiect a reglementărilor locale aplicabile, prevederile acestei garanții limitate sunt în legătură cu orice altă garanție scrisă, fie expresă sau implicită, scrisă sau oral, incluzând această garanție de MERCANTIBILITATE ȘI CONFORMITATE CU UN SCOP PARTICULAR. ÎN NICIUN CAZ NU VOIM FI RESPONSABILI PENTRU TRĂCĂCIUNI SPECIALE, OCAZIONALE, DE DURATĂ, RĂSPUNDEREA NOASTRĂ MAXIMĂ NU VA PUTEA DEPĂȘI PREȚUL ACTUAL DE ACHIZIȚIONARE PLĂTIT DE DVS PENTRU PRODUS.

**Această garanție este valabilă doar în Uniunea Europeană, Australia și Noua Zeelandă.** În afara acestor zone, vă rugăm contactați dealerul dvs Ryobi autorizat pentru a determina ce fel de garanții se aplică.

### CENTRU DE SERVICE AUTORIZAT

Pentru a găsi un centru de service autorizat lângă dvs., vizitați ryobitools.eu.



## LV IEROBĒZOTA GARANTĪJA

TTI garantē, ka šis ārpus telpām lietojamais produkts būs bez materiāla vai izgatavošanas defektiem 24 mēnešu periodā no datuma, kad to nopirca oriģinālais piercējs, kas ir turpmāk minēto ierobežojumu subjekts. Lūdzim saglabāties Jūsu rēķinā kā pierādījumu par pirkuma datumu.

**Garantija ir piemērojama vienīgi, ja produkts ir ticis izmantots personīgiem un nekomerciāliem mērķiem.** Šī garantija neattiecinās uz bojāgājumiem vai atbildību, kas radusies saistībā ar / nepareizu izmantošanu, neatbilstošu lietošanu, nejausām vai tīšām lietotāja darbībām, nepareizu ekspluatāciju, nepamatotu lietošanu, neuzmanību, gala lietotāja nespēju izpildīt lietotāja rokasgrāmatā norādītās darbināšanas procedūras, remontēšanas mēģinājumus, ko veicis nesertificēts profesionālis, neatortizēts remonts, modifikācijas vai izmantojums aprīkojumu un/vai papildus iekārtas, kuras pilnvarotā puse nav specifiski rekomendējusi.

Šī garantija neattiecas uz sīksnām, sukām, somām, spuldzēm vai jebkuru detaļu, kas iekdienā nolietojas un nodilst, izsaucot vajadzību garantijas perioda laikā veikt nepieciešamo nomaiņu. Šī garantija neattiecas uz transporta izdevumiem vai patēriņa priekšmetiem, piemēram, drošinātājiem, ja vien tas nav specifiski noteikts ar piemērojamo likumdošanu.

Šī ierobežotā garantija zaudē spēku, ja ir nodzisuši, izmainīti vai noņemti produktā oriģinālie identifikācijas marķējumi vai ja produkts nav nopirkts no pilnvarotā izplatītāja, vai ja produkts ir pārdots KĀ TAS IR un / vai AR VISIEM DEFEKTIEM.

Kā visu piemērojamo vietējo likumdošanas aktu subjekts, šis ierobežotais garantijas noteikumi aizvieto jebkuru citu rakstulīti garantiju, vai nu izteiktu vai piedomātu, rakstiski vai mutiski, ieskaitot jebkuru garantiju PĀRDODAMĪBAI VAI PIEMEROTĪBAI KONKRĒTAM MĒRĶIM. MĒS NEESAM NEKĀDĀ GADĪJUMĀ ATBILDĪGĪ PAR SPECĪĻIEM, IZRIETOSIEM VAI NEJAUSIEM BOJĀJUMIEM, MŪSU MAKSĪMĀLĀ ATBILDĪBA NEKĀD NEPĀRSNIEGS KONKRĒTO PIRKŠANAS CENAS VĒRTĪBU, KO JŪS ESAT SAMĀKSĀJIS PAR PRODUKTU.

Šī garantija ir derīga tikai Eiropas Savienībā, Austrālijā un Jaunzēlandē. Ārpus šiem reģioniem, lūdzim, sazinoties ar savu autorizēto Ryobi izplatītāju, lai noskaidrotu vai tiek attiecināta cita garantija.

### AUTORIZĒTS APKALPOŠANAS CENTRS

Lai atrastu tuvāko autorizēto apkalošanas centru, apmeklējiet ryobitools.eu.

## ET PIIRATUD GARANTĪJA

TTI garantē, ka šis ārpus telpām lietojamais produkts būs bez materiāla vai izgatavošanas defektiem 24 mēnešu periodā no datuma, kad to nopirca oriģinālais piercējs, kas ir turpmāk minēto ierobežojumu subjekts. Lūdzim saglabāties Jūsu rēķinā kā pierādījumu par pirkuma datumu.

**Kāseolev garantija kehtib ainult siis, kui toode kasutatakse isiklikuks otstarbeks, mitte kaubanduslikel eesmärkidel.** Kāseolev garantii ei hõlma vigastusi või vastutust juhtudel, kui seadot on kasutaja poolt mittesihipäraseilt või vääralt kasutatud või on toode kasutaja tegevuse tulemusena sattunud õnnetusse või avarisse või on seadet valesti, ebamõistlikult või hoolimatult käsitletud. Samuti ei kehti garantii siis, kui seadme kasutusjuhendis ettenähtud tööprotsedureid on eiratud, seadet on püütud väljõppeta töötajate poolt remontida, tehtud on lubamatuid remontitööd, muudatusi või on kasutatud tarvikuid ja/või lisaseadmeid, mis ei ole volitatud isiku poolt spetsiaalselt soovitatud.

Kāseolev garantii ei kehti rihmadele, harjadele, kottidele, pirdidele või muudele loomulikult kuluvatele osadele, mida on vaja garantijaaja jooksul vahetada. Vālja arvatud asjakohaste seadustega määratud juhtudel, ei kata kāseolev garantii transportkulusid või kulutarvikuid, nāiteks saluvaliksmeid.

Kāseolev piiratud garantii ei kehti, kui toote originaalhäised (kaubamärk, seerianumber) on kahjustatud, muudetud või eemaldatud või toode ei ole otestatud volitatud edasimüüja käest või kui toode on müüdüd OSTJA RISKIL ja/või OSTJAT ON RIKETEST TEAVITATUD.

Sõltuvalt kõikidest kehtivatest seadustest, kehtivad selle piiratud garantii sätted muude kirjalike garantiide asemel, hoolimata sellest, kas need on selgesõnaliselt väljendatud või eeldatavad, kirjalikud või suulised, kaasa arvatud igasugune KAUBANDUSLIK VÕI ERIOJTARBELE SOBIVUSE garantii. MITTE MINGILIST JUHTUDEL EI VASTUTATA TOOTJA ERJUHTUMIL VÕI JUHUSLIKULT KAASNEVATEST OLUDEST VÕI AVARIIST TINGITUD KAHJUDEL EEST. TOOTJA MAKSIMAALNE VASTUTUS EI ÜLETA SELLE TOOTE EEST TASUTUD TEGELIKU HINDA.

Kāseolev garantii kehtib ainult Euroopa Liidu riikides, Austraalias ja Uus-Meremaal. Väljaspool neid riike võtke palun ühendust Ryobi volitatud edasimüüjaga, et määrata teiste garantiide kehtivus.

### VOLITATUD HOOLDUSKESKUS

Oma volitatud hoolduskeskuse leiate veebisaidil ryobitools.eu.

## HR

## OGRAŅIČENO JAMSTVO

TTI jamči da ovaj proizvod za upotrebu na otvorenom nema greška u materijalu ili izradi za razdoblje od 24 mjeseca od dana kupnje od izvornog dobavljača, uz nize navedena ograničenja.

**Ovo jamstvo primjenjuje se samo kada se proizvod koristi za osobne i nekomercijalne namjene.** Ovo jamstvo ne pokriva štetu ili odgovornost proizašile iz /zbog krive upotrebe, nasilne primjene, slučajnih ili namjernih djelovanja korisnika, nepravilnog rukovanja, nerazumne uporabe, nemara, propusta korisnika da se pridržava postupaka za rukovanje navedenih u korisničkom priručniku, pokušaja popravka od strane nekvalificirane osobe, neovlašteno popravljivanje, izmjene ili upotreba dodatne opreme i/ili priključaka koji nisu izričito preporučeni od ovlaštene strane.

Ovo jamstvo ne pokriva remenje, četke, vreće, sijalice ili neki drugi dio koji zbog uobičajenog trošenja i habanja zahtjeva zamjenu za vrijeme trajanja jamstva. Ukoliko nije posebno predviđeno važećim zakonom, ovo jamstvo ne pokriva troškove prijevoza ili potrošne dijelove kao što su osiguraci.

Ovo je jamstvo nevažeće ako je originalna identifikacijska oznaka proizvoda (zaštitni znak, serijski broj) postala nečitljiva, promijenjena ili uklonjena ili ako proizvod nije nabavljen od ovlaštenog proizvođača, ili ako je proizvod prodan KAKAV JEST i /ili SA SVIM GREŠKAMA.

Podložno svim primjenjivim lokalnim odredbama, propisi ovog ograničenog jamstva služe umjesto bilo kakvog drugog pisanog jamstva, izričito navedenog ili podrazumijevanog, pisanog ili izrečenog, uključujući jamstvo NA UTRŽIVOST ILI PRIKLADNOST ZA NEKU POSEBNU NAMJENU, NI U KOJEM SLUČAJU NEĆEMO BITI ODGOVORNI ZA SPECIJALNA, SLUČAJNA, POSLJEDIČNA ILI SPORDNA OŠTEĆENJA. NAŠA MAKSIMALNA ODGOVORNOST NE PRLAZI STVARNU CIJENU KOJU STE PLATILI ZA OVAJ PROIZVOD.

**Ovo jamstvo važi samo za Europsku uniju, Australiju i Novu Zeland.** Izvan tih područja, molimo kontaktirati svog zastupnika za Ryobi kako biste ustanovili vrijedi li neko drugo jamstvo.

### OVLASŅENI SERVISNI CENTAR

Pa pronalaženje ovlaštenog servisnog centra pored vas posjetite ryobitools.eu. Proizvode ovom se garancijom ne dovode u pitanje.

## LT RIBOTA GARANTĪJA

TTI garantuoja, kad šis lauke skirtas naudoti produktas neturės medžiagos ir gamybos defektų 24 mėnesius po pirmojo pirkimo dienos, taikant žemiau pateiktiamus garantijos apribojimus. Prašome kaip pirkimo datos įrodymą išsaugoti pirkimo kvitą.

**Ši garantija galioja tik tada, kai produktas yra naudojamas asmeniniams ir nekomerciniams tikslams.** Ši garantija neapima žalos ar atsakomybės dėl vartotojo produkto nepriežiūros, netinkamo naudojimo, tyčinio ar netyčinio naudojimo ne pagal paskirtį, netinkamai atliekamų darbų su produktu, aplaidumo, nesilaikymo darbo su produktu procedūrų, pateiktiamų vartotojo vadove, nekvalifikuotų asmenų atliktų remonto darbų, nenumatytų šiam produktui remonto darbų, neleistinų modifikacijų, priedų naudojimo ir / arba atskirai įgaliotosios šalies neleistų naudoti priedų naudojimo su produktu.

Ši garantija negalioja diržams, šepetiams, maišams, lemputėms ir kitoms dalims, kurios darbo metu natūraliai nusidėvi ir plyšta ir kurioms garantiniu laikotarpiu reikalingas pakeitimas. Jeigu tai nėra atskirai nurodyta galiojančiuose įstatymuose, ši garantija neapima transportavimo išlaidų bei tokių keičiamų elementų kaip saugikliai.

Ši ribota garantija negalioja, jei buvo panaikinti, pakeisti arba nutrinti produkto originalūs identifikacijos ženklai (prekės ženklas, serijos numeris) arba jeigu produktas nebuvo įsigytas iš įgaliotojo pardavėjo, arba jeigu produktas buvo parduotas TOKS, KOKS YRA ir / arba SU VISAIS GALIMAIS TRŪKUMAIS.

Priklausomai nuo busų galiojančių vietos įstatymų, šios ribotos garantijos nuostatos pakeičia visas kitas rašytines garantijas, tiek išreikštas tiek numanomas, tiek rašytines, tiek žodines, įskaitant PARDUODAMŪMĀ ARBA TIKIMŪ KONKRĒČIAM TIKSLUI, MĒS JOKIU ATVEJU NEATSAKOME UŽ SPECIJALŪ, ATSIKTIKTINĒ, TYČINĒ AR PASEKMINE ŽALŪ. MAKSIMALI MŪSŪ ATSAKOMYBĒ PAGAL TEIKIAMŪ GARANTIJŪ NEVIRŠYS KAINOS, KURIŪ JŪS SUMOKĒJOTE UŽ PRODUKTŪ.

Ši garantija galioja tikiai Europos Sąjungoje, Australijoje ir Naujojoje Zelandijoje. Kitose šalyse kreipkitės savo įgaliotųjų „Ryobi“ atstovų ir išsiaiškinkite, ar produktui galioja kokios nors kitos garantijos.

### ĮGALIOTOS TECHNINĖS PRIEŽIŪROS CENTRAS

Jei norite surasti įgaliotą techninės priežiūros centrą netoli Jūsų, apsilankykite interneto svetainėje www.ryobitools.eu.

## SL OMEJENA GARANCIJA

TTI jamči, za svoje izdelke za zunanjo uporabo, skladno s spodnjimi omejitvami, jamči da bodo 24 mesecev od prvega nakupa brez napak v materialu ali izdelavi. Prosimo, da shranite svoj račun kot dokazilo o nakupu.

**Ta garancija se nanaša na osebne in ne-komercialni uporabo izdelka.** Garancija ne krije škode ali odgovornosti zaradi napačne uporabe, zlorabe, nesrečnih ali nehotenih dejanj uporabnika, nepravilnega rokovanja, uporabe brez razloga, malomarnosti ter okvar, nastalih zaradi nesledenja postopkom, navedenih v tem priročniku, poskusom popravil s strani neusposobljenih oseb, nepooblaščenega popravila, predelave, ter uporabe pripomočkov in/ali dodatkov, ki niso posebej priporočeni s strani pooblaščenega stranke.

Ta garancija ne zajema jermenov, ščetk, vrečk, žarnic ali katerega koli dela, ki je predmet obrabe in je v garancijskem obdobju zanj predpisana zamenjava. Razen, če ni posebej zagotovljeno s pristojno zakonodajo, ta garancija ne krije stroškov prevoza ali potrošnih elementov, kot so varovalke.

Ta omejena garancija postane neveljavna, če so originalne oznake (blagovna znamka, serijska številka) na izdelku izbrisane, popravljene ali odstranjene, oziroma, če izdelek ni bil kupljen pri pooblaščenem trgovcu ali bil prodan KAKRŠEN JE in/ali Z VSEMI NAFAKAMI.

Glede na pristojno lokalno zakonodajo, so določbe te omejene garancije nadomestilo ostalim pisnim garancijam, navedenim ali tihim, pisnim ali ustno izraženim, vključno tudi vsakršno garancijo v zvezi s PRODAJO IN STANJEM BLAGA ZA POSAMEZNI NAMEN, V NOBENEM PRIMERU NISMO ODGOVORNI ZA POSEBNE, NESREČNE, POSLEDIČNE ALI NEHOTENE POŠKODBE. NAŠA NAJVIŠJA ODGOVORNOST NE SME PRESEGATI DEJANSKE VREDNOSTI NAKUPA IZDELKA.

**Ta garancija je veljavna le znotraj Evropske unije, v Avstraliji in Novi Zelandiji. Zunaj teh območij se za podobnosti o garanciji prosimo obrnite na pooblaščenega Ryobičevega trgovca.**

### POOBLAŠČENI SERVISNI CENTER

Pooblaščen servisni center blizu vas poiščite na ryobitools.eu.

## BG ОГРАНИЧЕНА ГАРАНЦИЯ

Фирма ТТИ предоставя гаранция за този продукт за външна употреба по отношение на дефекти в материала или изработката за период от 24 месеца от датата на покупката от купувача с посочените по долгу ограничения. Моля запазете фактурата като доказателство за датата на покупката.

**Гаранцията е валидна само когато този продукт е използван за лични, а не търговски цели.** Гаранцията не покрива вреди или задължения породени от/или неправилна употреба, злоупотреба, неоснователна или нежелана употреба от потребителя, работа с продукта не по неговото предназначение, немъгливост, неспазване на упътванията за употреба посочени в ръководствата за използване, опит за ремонт от невалифициран персонал, неоторизиран ремонт, преработка, или употреба на допълнителни приспособления и/или допълнения, които не са специално препоръчани от оторизирана фирма или сервис.

Гаранцията не покрива ремъци, четки, торби, крушки или каквито и да било части, които биха могли да се износят или съхсат по време на гаранционният период и изискват замяна. Освен ако изрично не е посочено в закон, гаранцията не покрива транспортни разходи или консумативи като например електропредпазители.

Тази ограничена гаранция е невалидна, ако оригиналните означения и етикети (запазена марка, серийн номер), са с нарушена цялост, разкъсани или премахнати, ако продукта не е закупен от оторизиран търговец или, ако продуктът е продаден на разпродажба с намалена цена "КАКТО СИ Е" и/или "С ВСИЧКИ ПОСОЧЕНИ ПОВРЕДИ ПО НЕГО".

В съответствие с всички местни наредби, постановките на тази ограничена гаранция заместват която и да е друга писмена гаранция, независимо изразена или приложена, писмена или устна, включително която и да е друга гаранция ТЪРГОВСКА ИЛИ СЪОТВЕТСТВАЩА ЗА ОПРЕДЕЛЕНА ЦЕЛ. ПО НИКАКЪВ НАЧИН НЯМА ДА СМЕ ОТГОВОРНИ ЗА СПЕЦИАЛНИ, СЛУЧАЙНИ, КОСВЕНИ ИЛИ НЕПРЕДВИДЕНИ ЗАГУБИ, НАШАТА МАКСИМАЛНА ОТГОВОРНОСТ НЕ МОЖЕ ДА НАДХВЪРЛИ СЪОТВЕТНАТА ПОКУПНА ЦЕНА, ПЛАТЕНА ОТ ВАС ЗА ТОЗИ ПРОДУКТ.

**Тази гаранция е валидна само за територията на Европейския съюз, Австралия и Нова Зеландия. Ако сте извън тези територии, моля свържете се с оторизиран от Ryobi разпространител (дилър), за да уточните дали се прилага друг вид гаранция.**

### УПЪЛНОМОЩЕН СЕРВИЗЕН ЦЕНТЪР

За да намерите упълномощен сервисен център близо до вас, посетете ryobitools.eu.

## SK OBMEDZENÁ ZÁRUKA

Spoločnosť TTI poskytuje záruku, že tento produkt pre použitie v exteriéri nebude mať žiadne poruchy v materiále ani spracovaní 24 mesiacov od dátumu zakúpenia pôvodným kupujúcim, s obmedzeniami uvedenými nižšie. Odložte si faktúru ako potvrdenie o dátume zakúpenia.

**Táto záruka platí len v prípade, ak sa tento produkt používa pre osobné a nekomerčné účely.** Táto záruka nezahŕňa poškodenie alebo zodpovednosť spôsobenú nesprávnym používaním alebo v jeho následku, zneužívaním, náhodnými alebo zámernými činmi používateľa, nesprávnou manipuláciou, neprimeraným používaním, nedbalosťou, nedodržaním prevádzkových postupov uvedených v používateľskej príručke zo strany koncového užívateľa, pokusmi o opravu nevalifikovaným odborníkom, neautorizovanou opravou, úpravami alebo používaním príslušenstva a/alebo doplnkov, ktoré nie sú výslovne odporúčané oprávnenou stranou.

Táto záruka nezahŕňa krycie pásy, kefky, vaky, žiarovky ani žiadne iné diely, ktorých bežné opotrebovanie vyžaduje výmenu počas záručnej doby. Pokiaľ nie je výslovne uvereňé v platných zákonoch, táto záruka nezahŕňa náklady na prepravu a spotrebné materiály, napríklad poistky.

Táto obmedzená záruka stráca platnosť v prípade poškodenia, pozmenenia alebo odstránenia pôvodných identifikačných označení (obchodná známka, sériové číslo) alebo ak tento produkt nebo zakúpený od autorizovaného predajcu alebo ak sa tento produkt predáva AKO JE a/alebo SO VŠETKYMI CHYBAMI.

S ohľadom na všetky platné miestne predpisy sú ustanovenia tejto obmedzenej záruky náhradou za akúkoľvek inú písomnú záruku, či už výslovnú alebo implikovanú, písomnú alebo ústnu, vrátane záruky OBCHODOVATEĽNOSTI ALEBO VHODNOSTI PRE KONKRETNÝ ÚČEL, ZA ŽIADNYCH OKOLNOSTÍ NEPREBERÁME ZODPovednosť ZA ŠPECIÁLNE, NÁHODNÉ ALEBO NÁSLEDNÉ ŠKODY, NAŠE MAXIMÁLNE RUČENIE NEPREKROČÍ SKUTOČNÚ NÁKUPNÚ CENU, KTORÚ STE ZA PRODUKT ZAPLATILI.

**Táto záruka platí len v Európskej únii, Austrálii a na Novom Zélande. Ak sa nachádzate mimo týchto regiónov, obráťte sa na autorizovaného predajcu Ryobi kde zistíte, či platí iná záruka.**

### AUTORIZOVANÉ SERVISNÉ CENTRUM

Ak chcete nájsť najbližšie autorizované servisné centrum, navštívte stránku ryobitools.eu.

**EN** DECLARATION OF CONFORMITY

We declare under our sole responsibility that this product is in conformity with the following standards or standardized documents.

2006/42/EC, 2004/108/EC, 2002/96/EC, 2002/95/EC, EN 55014-1:2006+A1; EN 55014-2:1997+A1+A2; EN 60745-1:2009+A11; EN 60745-2-15:2009+A1.

Measured sound power level 86 dB(A)

Guaranteed sound power level 89 dB(A)

Conformity assessment method to Annex V Directive 2000/14/EC

**Serial number:** See product rating label

**Year of construction:** See product rating label

**NL** CONFORMITEITSVERKLARING

Wij verklaren op onze eigen verantwoordelijkheid dat dit product voldoet aan de volgende normen of normatieve documenten.

2006/42/EC, 2004/108/EC, 2002/96/EC, 2002/95/EC, EN 55014-1:2006+A1; EN 55014-2:1997+A1+A2; EN 60745-1:2009+A11; EN 60745-2-15:2009+A1.

Nivel de polícnia sonora medido 86 dB(A)

Gegrandeerd geluidslevel 89 dB(A)

Evaluatiemethode conformiteit volgens bijlage V Richtlijn 2000/14/EC

**Serienummer:** Zie productkenplaat

**Bouwjaar:** Zie productkenplaat

**FR** DÉCLARATION DE CONFORMITÉ

Nous déclarons sous notre propre responsabilité que ce produit est en conformité avec les normes ou documents normalisés suivants.

2006/42/EC, 2004/108/EC, 2002/96/EC, 2002/95/EC, EN 55014-1:2006+A1; EN 55014-2:1997+A1+A2; EN 60745-1:2009+A11; EN 60745-2-15:2009+A1.

Niveau de puissance sonore mesuré 86 dB(A)

Niveau de puissance sonore garanti 89 dB(A)

Méthode d'évaluation de conformité de l'annexe V Directive 2000/14/EC

**Numéro de série:** Voir la plaque signalétique du produit

**Année de fabrication:** Voir la plaque signalétique du produit

**PT** DECLARAÇÃO DE CONFORMIDADE

Declaramos, sob nossa exclusiva responsabilidade, que este produto cumpre as seguintes normas ou documentos normativos.

2006/42/EC, 2004/108/EC, 2002/96/EC, 2002/95/EC, EN 55014-1:2006+A1; EN 55014-2:1997+A1+A2; EN 60745-1:2009+A11; EN 60745-2-15:2009+A1.

Gemeten geluidslevel 86 dB(A)

Nível de potência acústica garantido 89 dB(A)

Método de avaliação de conformidade para o anexo V Diretiva 2000/14/EC

**Número de série:** Ver etiqueta de classificação do produto

**Ano de construção:** Ver etiqueta de classificação do produto

**DE** KONFORMITÄTSEKLRÄRUNG

Wir erklären in alleiniger Verantwortung, dass dieses Produkt mit den folgenden Normen oder normativen Dokumenten übereinstimmt.

2006/42/EC, 2004/108/EC, 2002/96/EC, 2002/95/EC, EN 55014-1:2006+A1; EN 55014-2:1997+A1+A2; EN 60745-1:2009+A11; EN 60745-2-15:2009+A1.

Gemessener Schalleistungspegel 86 dB(A)

Garantierter Schallenergiepegel 89 dB(A)

Konformitätsbeurteilungsmethode zu Anhang V Richtlinie 2000/14/EC

**Seriennummer:** Siehe Produkt-Leistungsschild

**Baujahr:** Siehe Produkt-Leistungsschild

**DA** KONFORMITETSEKLRING

Vi erklærer på eget ansvar, at dette produkt er i overensstemmelse med følgende standarder eller standardiseringsdokumenter.

2006/42/EC, 2004/108/EC, 2002/96/EC, 2002/95/EC, EN 55014-1:2006+A1; EN 55014-2:1997+A1+A2; EN 60745-1:2009+A11; EN 60745-2-15:2009+A1.

Uppmålt ljudeffektnivå 86 dB(A)

Garanteret lydeffektniveau 89 dB(A)

Overensstemmelsesvurderingsmetode til bilag V Direktiv 2000/14/EC

**Serienummer:** Se produktets mærkeplade

**Fremstillingsår:** Se produktets mærkeplade

**ES** DECLARACIÓN DE CONFORMIDAD

Declaramos bajo nuestra exclusiva responsabilidad que este producto es conforme a las siguientes normas o documentos normalizados.

2006/42/EC, 2004/108/EC, 2002/96/EC, 2002/95/EC, EN 55014-1:2006+A1; EN 55014-2:1997+A1+A2; EN 60745-1:2009+A11; EN 60745-2-15:2009+A1.

Nivel de potencia acústica medido 86 dB(A)

Nivel de potencia acústica garantizado 89 dB(A)

Método de evaluación de conformidad con el anexo V Directiva 2000/14/EC

**Número de serie:** Ver etiqueta de clasificación de productos

**Año de fabricación:** Ver etiqueta de clasificación de productos

**SV** FÖRSÄKRAN

Vi intygar och ansvarar för, att denna produkt överensstämmer med följande normer och dokument.

2006/42/EC, 2004/108/EC, 2002/96/EC, 2002/95/EC, EN 55014-1:2006+A1; EN 55014-2:1997+A1+A2; EN 60745-1:2009+A11; EN 60745-2-15:2009+A1.

Målt lydeffektnivå 86 dB(A)

Garanterad lydeffektnivå 89 dB(A)

Konformitetsbedömning gjord enligt metod i V Direktiv 2000/14/EC.

**Serienummer:** Se märkplåten på produkten

**Konstruktionsår:** Se märkplåten på produkten

**IT** DICHIARAZIONE DI CONFORMITÀ

Dichiariamo, assumendo la piena responsabilità di tale dichiarazione, che il prodotto è conforme alle seguenti normative e ai relativi documenti.

2006/42/EC, 2004/108/EC, 2002/96/EC, 2002/95/EC, EN 55014-1:2006+A1; EN 55014-2:1997+A1+A2; EN 60745-1:2009+A11; EN 60745-2-15:2009+A1.

Levello di potenza acustica misurato 86 dB(A)

Levello di potenza sonora garantita 89 dB(A)

Metodo di valutazione sulla conformità all'allegato V Direttiva 2000/14/EC

**Numero seriale:** Vedere l'etichetta nominale del prodotto

**Anno di costruzione:** Vedere l'etichetta nominale del prodotto

**FI** TODISTUS STANDARDIN-MUKAISUJUESTA

Todistamme täten ja vastaamme yksin siitä, että tämä tuote on alla lueteltujen standardien ja standardoimis-asiakirjojen vaatimusten mukainen.

2006/42/EC, 2004/108/EC, 2002/96/EC, 2002/95/EC, EN 55014-1:2006+A1; EN 55014-2:1997+A1+A2; EN 60745-1:2009+A11; EN 60745-2-15:2009+A1.

Målt lydeffektnivå 86 dB(A)

Taattu äänitehon taso 89 dB(A)

Säännösten noudattaminen tarkastettu direktiivin 2000/14/EC liitteen V mukaisesti

**Sarjanumero:** Viittaa tuotteen nimikilpeen

**Valmistusvuosi:** Viittaa tuotteen nimikilpeen

## NO SAMSVARSEKTLÆRING

Vi erklærer på eget ansvar at dette produktet er i samsvar med følgende standarder og normative dokumenter.  
2006/42/EC, 2004/108/EC, 2002/96/EC, 2002/95/EC, EN 55014-1:2006+A1; EN 55014-2:1997+A1+A2; EN 60745-1:2009+A11; EN 60745-2-15:2009+A1.  
Mittattu äänenteho 86 dB(A)  
Garantert lydteknisk 89 dB(A)  
Metode for vurdering av konformitet til Tillegg V Direktiv 2000/14/EC

Serienummer: Se produktetiketten  
Produksjonsår: Se produktetiketten

## RU ЗАЯВЛЕНИЕ О СООТВЕТСТВИИ СТАНДАРТАМ

Мы со всей ответственностью заявляем, что настоящая продукция соответствует ниже следующим нормам и документам.  
2006/42/EC, 2004/108/EC, 2002/96/EC, 2002/95/EC, EN 55014-1:2006+A1; EN 55014-2:1997+A1+A2; EN 60745-1:2009+A11; EN 60745-2-15:2009+A1.  
Измеренный уровень звуковой мощности 86 dB(A)  
Гарантированный уровень звуковой мощности 89 dB(A)  
Способ оценки соответствия, приложение V к директиве 2000/14/EC

Заводской номер: См. паспортную табличку изделия  
Год выпуска: См. паспортную табличку изделия

## PL DEKLARACJA ZGODNOŚCI

Z całą odpowiedzialnością oświadczamy, że niniejszy produkt jest zgodny z normami czy też znormalizowanymi dokumentami wymienionymi poniżej.  
2006/42/EC, 2004/108/EC, 2002/96/EC, 2002/95/EC, EN 55014-1:2006+A1; EN 55014-2:1997+A1+A2; EN 60745-1:2009+A11; EN 60745-2-15:2009+A1.  
Nivelul măsurat al puterii acustice 86 dB(A)  
Maksymalny poziom natężenia hałasu 89 dB(A)  
Metoda ocena zgodności zgodnie z aneksem V Dyrrektiva 2000/14/EC

Numer seryjny: Zobacz etykietę znamionową produktu  
Rok produkcji: Zobacz etykietę znamionową produktu

## CS PROHLÁŠENÍ O SHODĚ

Prohlašujeme na svou zodpovědnost, že tento výrobek splňuje požadavky níže uvedených norem a závazných předpisů.  
2006/42/EC, 2004/108/EC, 2002/96/EC, 2002/95/EC, EN 55014-1:2006+A1; EN 55014-2:1997+A1+A2; EN 60745-1:2009+A11; EN 60745-2-15:2009+A1.  
Změřený poziom natężenia hałasu 86 dB(A)  
Zaručená hladina akustického výkonu 89 dB(A)  
Soulad s metodou určování př. přílohu V směrnice 2000/14/EC

Výrobní číslo: Viz výkonový štítek na výrobku  
Rok výroby: Viz výkonový štítek na výrobku

## HU SZABVÁNY RENDELKEZÉSEK

Felölöségünk teljes tudatában kijelentjük, hogy a jelen termék megfelel a következő szabványoknak és előírásoknak.  
2006/42/EC, 2004/108/EC, 2002/96/EC, 2002/95/EC, EN 55014-1:2006+A1; EN 55014-2:1997+A1+A2; EN 60745-1:2009+A11; EN 60745-2-15:2009+A1.  
Измеренный уровень звуковой мощности 86 dB(A)  
Garantált hanglejesszint 89 dB(A)  
A megfelelési értékelési eljárás a 2000/14/EC irányelv V. függeléké szerint történt

Sorozatszám: Lásd a termék adattábláján  
Gyártási év: Lásd a termék adattábláján

## RO DECLARAȚIE DE CONFORMITATE

Declarăm pe propria răspundere că acest produs este conform cu normele sau documentele normative următoare.  
2006/42/EC, 2004/108/EC, 2002/96/EC, 2002/95/EC, EN 55014-1:2006+A1; EN 55014-2:1997+A1+A2; EN 60745-1:2009+A11; EN 60745-2-15:2009+A1.  
Mért hanglejesszint 86 dB(A)  
Nivel de putere acustică garantat 89 dB(A)  
Metoda de evaluare a conformității cu Anexa V Directiva 2000/14/EC

Numer de serie: Consultați eticheta cu specificații a produsului  
Anul de fabricație: Consultați eticheta cu specificații a produsului

## LV ATBILSTĪBAS PAZIŅOJUMS

Mēs uz savu atbildību paziņojam, ka šis produkts atbilst šādiem standartiem vai standartizācijas dokumentiem.  
2006/42/EC, 2004/108/EC, 2002/96/EC, 2002/95/EC, EN 55014-1:2006+A1; EN 55014-2:1997+A1+A2; EN 60745-1:2009+A11; EN 60745-2-15:2009+A1.  
Izmērjama ražen zvucne moči 86 dB(A)  
Garantētais skaņas jaudas līmenis 89 dB(A)  
Atbilstības novērtēšanas metode pielikumam V Direktīvai 2000/14/EC

Sērijas numurs: Skatīties izstrādājuma nominālu uzlīmi  
Ražošanas gads: Skatīties izstrādājuma nominālu uzlīmi

## LT ATITIKTIES DEKLARACIJA

Prisilimdami visa atsakomybe, pareiskiami, kad produktas atitinka zemiau isvardintus standartus ar standartu dokumentus.  
2006/42/EC, 2004/108/EC, 2002/96/EC, 2002/95/EC, EN 55014-1:2006+A1; EN 55014-2:1997+A1+A2; EN 60745-1:2009+A11; EN 60745-2-15:2009+A1.  
Izmjerena razina zvucne snage 86 dB(A)  
Garantuotas garso galios lygis 89 dB(A)  
Atitikties įvertinimo metodą pagal direktyvos 2000/14/EC, V Priedą.

Serijinis numeris: Žr. produkto duomenų plokštelę  
Gamybos metai: Žr. produkto duomenų plokštelę

## ET VASTAVUSDEKLARATSIOON

Kinnitame oma ainuvastutusele, et see toode on vastavuses järgmistele standarditele või standardiseeritud dokumentidega.  
2006/42/EC, 2004/108/EC, 2002/96/EC, 2002/95/EC, EN 55014-1:2006+A1; EN 55014-2:1997+A1+A2; EN 60745-1:2009+A11; EN 60745-2-15:2009+A1.  
Mõõdetud helivõimsuse tase 86 dB(A)  
Garanteeritud helivõimsuse tase 89 dB(A)  
Vastavushindamine vastavalt lisale V direktiivis 2000/14/EC

Serienumber: Vaadake toote tehasesilti  
Tootmisaasta: Vaadake toote tehasesilti

## HR DEKLARACIJA O USKLA-ENOSTI

Odgovorno izjavljujemo da je ovaj proizvod u skladu sa slijedećim normama ili normiranim dokumentima.  
2006/42/EC, 2004/108/EC, 2002/96/EC, 2002/95/EC, EN 55014-1:2006+A1; EN 55014-2:1997+A1+A2; EN 60745-1:2009+A11; EN 60745-2-15:2009+A1.  
Išmatuotas akustinis lygis 86 dB(A)  
Jamčena razina zvucne snage 89 dB(A)  
Metoda procjene usklađenosti prema Dodatku V Direktive 2000/14/EC

Serijski broj: Pogledajte naljepnicu na proizvodu  
Godina proizvodnje: Pogledajte naljepnicu na proizvodu



**SL** IZJAVA O SKLADNOSTI

Z lastno odgovornostjo izjavljamo, da je ta izdelek skladen z zahtevami sledečih standardov ali standardiziranih dokumentov.

2006/42/EC, 2004/108/EC, 2002/96/EC, 2002/95/EC, EN 55014-1:2006+A1; EN 55014-2:1997+A1+A2; EN 60745-1:2009+A11; EN 60745-2-15:2009+A1.

Izměřitais sklanas intensitātes līmenis 86 dB(A)

Zajamčena raven zvūčne moči 89 dB(A)

Način ugotavljanja skladnosti z aneksom V direktive 2000/14/EC

**Serijska številka:** Glejte nalepko s podatki o izdelku

**Leto izdelave:** Glejte nalepko s podatki o izdelku

**SK** PREHLÁSENIE O ZHODE

Vyhlasujeme našu výhradnú zodpovednosť za produkt, ktorý spĺňa nasledovné štandardy alebo štandardizované dokumenty.

2006/42/EC, 2004/108/EC, 2002/96/EC, 2002/95/EC, EN 55014-1:2006+A1; EN 55014-2:1997+A1+A2; EN 60745-1:2009+A11; EN 60745-2-15:2009+A1.

Nameraná úroveň hluku 86 dB(A)

Garantovaná hladina akustického výkonu 89 dB(A)

Spôsob určenia zhody podľa Dodatku V Smernica 2000/14/EC

**Sériové číslo:** Pozrite štítk s údajmi produktu

**Rok zhotovenia:** Pozrite štítk s údajmi produktu

**BG** ДЕКЛАРАЦИЯ НА ЗА СЪОТВЕТСТВИЕ

Ние декларираме на наша отговорност, че този продукт е в съответствие със следните стандарти или стандартизирани документи.

2006/42/EC, 2004/108/EC, 2002/96/EC, 2002/95/EC, EN 55014-1:2006+A1; EN 55014-2:1997+A1+A2; EN 60745-1:2009+A11; EN 60745-2-15:2009+A1.

Измерено ниво на шум 86 dB(A)

Гарантирано ниво на шум 89 dB(A)

Метод за оценяване на съответствието с приложение V Директива 2000/14/EC

**Серийен номер:** Вижте табелката с номиналните стойности

**Година на производство:** Вижте табелката с номиналните стойности

Machine: **CORDLESS HEDGE TRIMMER**

Type: **OHT1850X/RHT1850XLI**

**CE** November 2011



Techtronic Industries

Techtronic Product Development Ltd.  
24/F, CDW Building, 388 Castle Peak Road,  
Tsuen Wan, Hong Kong

Andrew John Eyre (BEng, CEng, MIET)  
Vice President of Engineering  
Nov 24, 2011

*Authorised to compile the technical file:*

Simon Del-Nevo  
Director of Outdoor Power Equipment  
Techtronic Industries (UK) Ltd.  
Medina House, Fieldhouse Lane, Marlow,  
Bucks, SL7 1TB, United Kingdom









**RYOBI**<sup>®</sup>