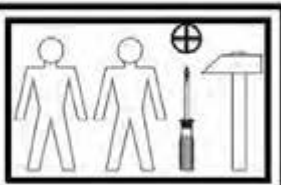
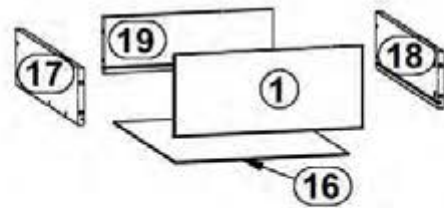
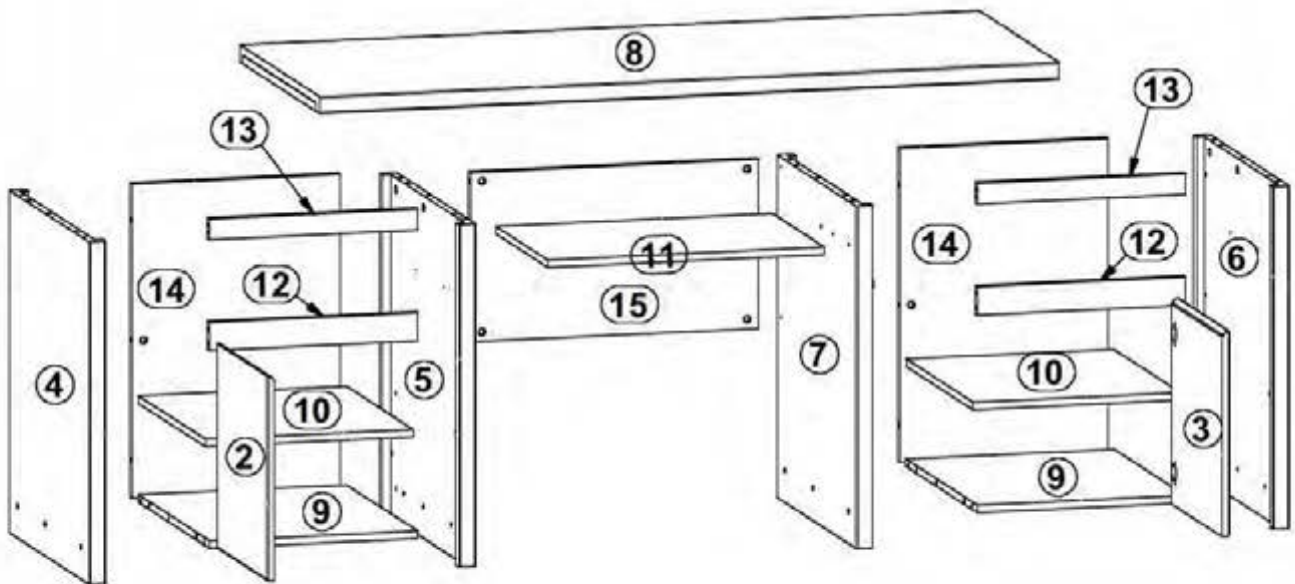
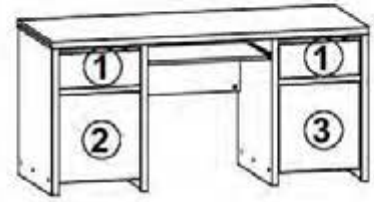


KASPIAN

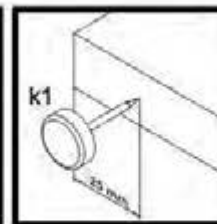
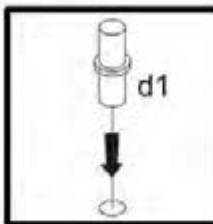
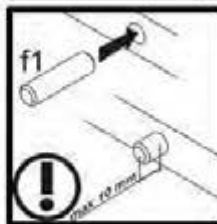
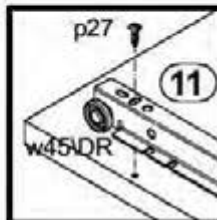
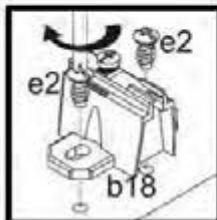
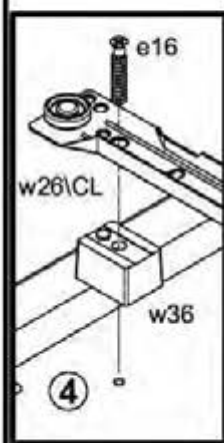
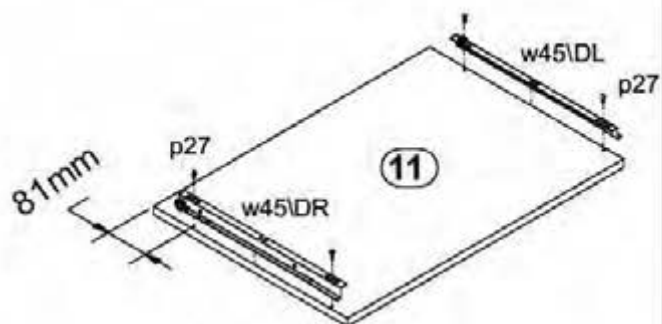
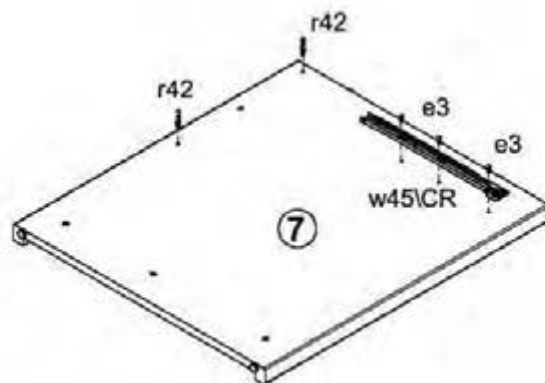
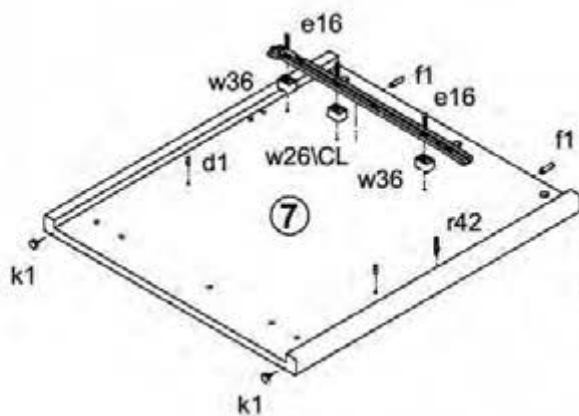
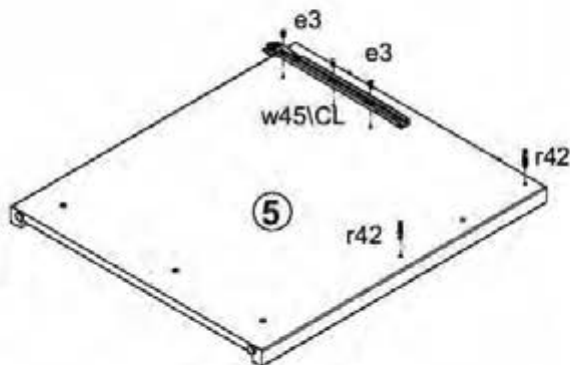
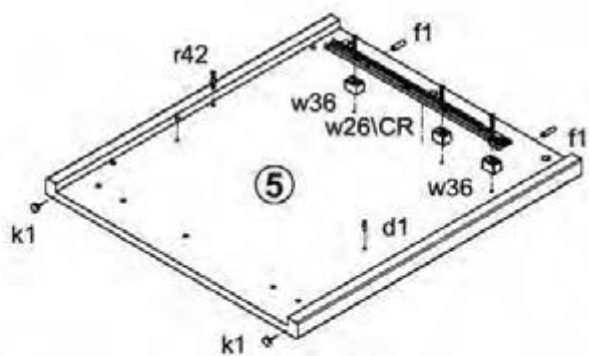
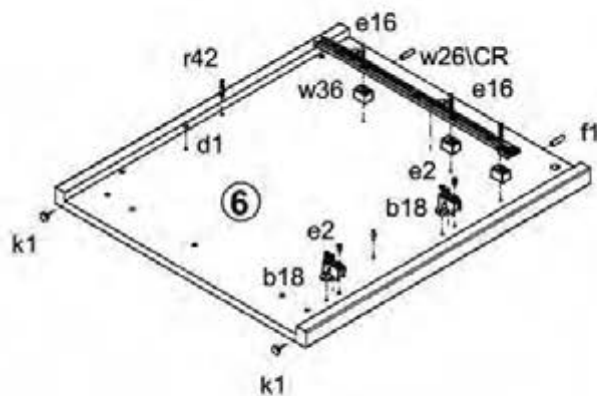
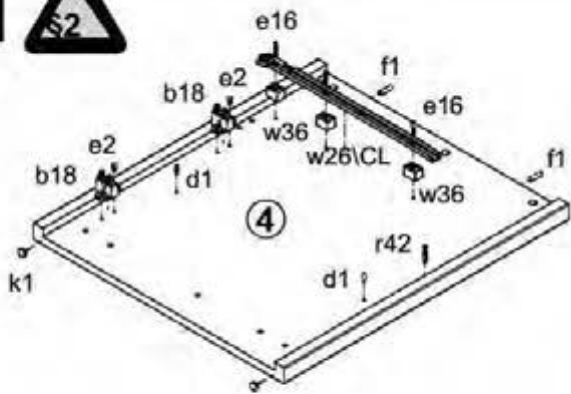
S128-BIU2D2S/160

A	B	C	D	A	B	C	D		
1	S128 0019	410	176	4/4	11	S128 320	599	420	2/4
2	S128 020	410	436	4/4	12	S128 411	451	60	3/4
3	S128 021	410	436	4/4	13	S128 412	451	44	3/4
4	S128 136	728	644	1/4	14	S128 413	668	451	1/4
5	S128 137	728	644	1/4	15	S128 414	624	360	3/4
6	S128 138	728	644	1/4	16	S128 9921	368	498	2/4
7	S128 139	728	644	1/4	17	BP 501	500	120	2/4
8	S128 211	1600	650	2/4	18	BP 502	500	120	2/4
9	S128 318	451	576	3/4	19	ZP 5509	358	120	2/4
10	S128 319	450	540	3/4					

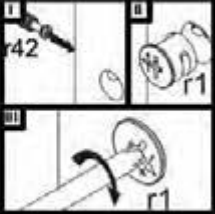
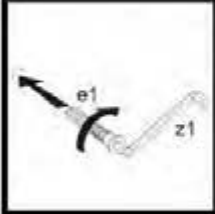
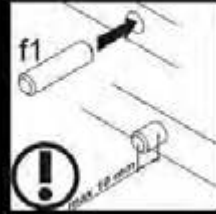
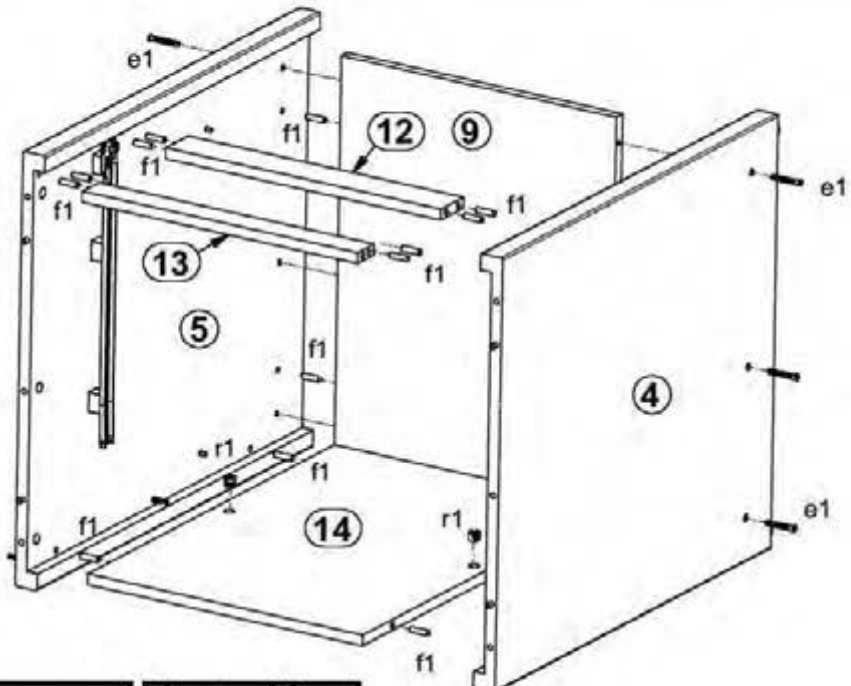


4x a43	4x b18	8x d1 Ø5,5x17 mm	12x e1 Ø3,5x55 mm	12x e16 Ø4,5x55 mm	12x e19 Ø4,5x55 mm	8x e2 Ø4,5x33 mm	6x e3 Ø4,5x33 mm	42x f1 Ø4,5x55 mm
8x f25 Ø4,5x25 mm	8x k1	4x p27 Ø4,5x13 mm	8x p51 Ø4,5x33 mm	28x r1 Ø4,5x12 mm 15x	28x r42 Ø4,5x55 mm	2x w26\ICL 500 mm	2x w26\ICR 500 mm	2x w26\IDL 500 mm
2x w26\IDR 500 mm	12x w36 Ø4,5x36 mm	1x w45\ICL 350 mm	1x w45\ICR 350 mm	1x w45\IDL 350 mm	1x w45\IDR 350 mm	1x z1	12x s1 Ø4,5x16 mm	8x s2 Ø4,5x16 mm

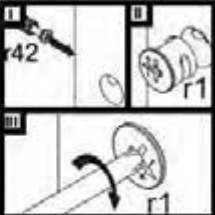
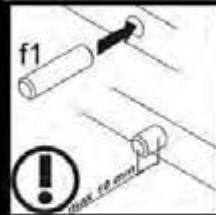
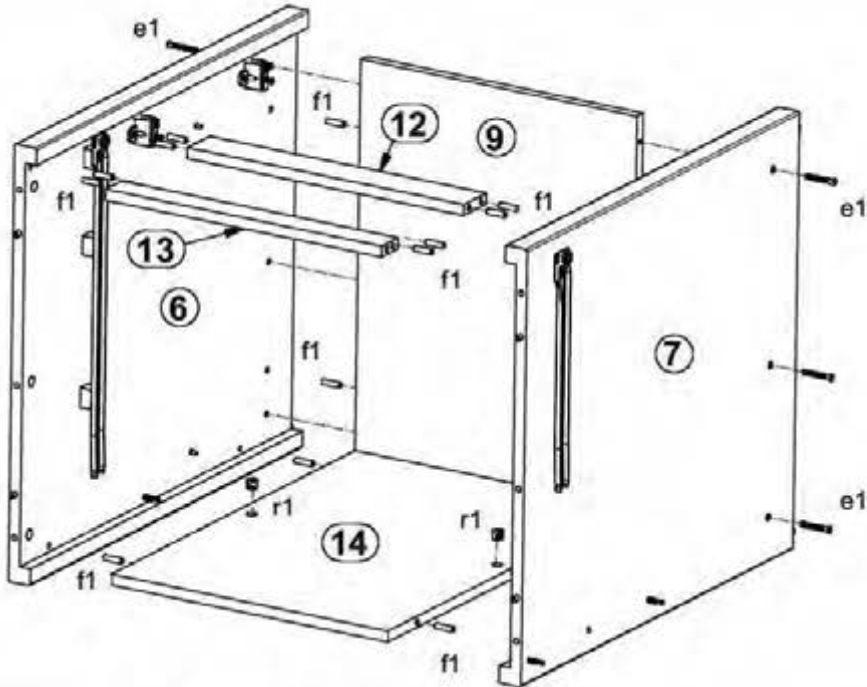
1



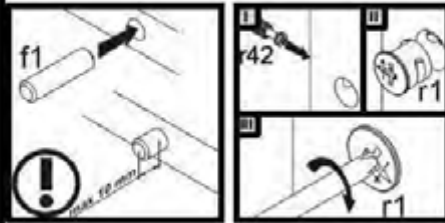
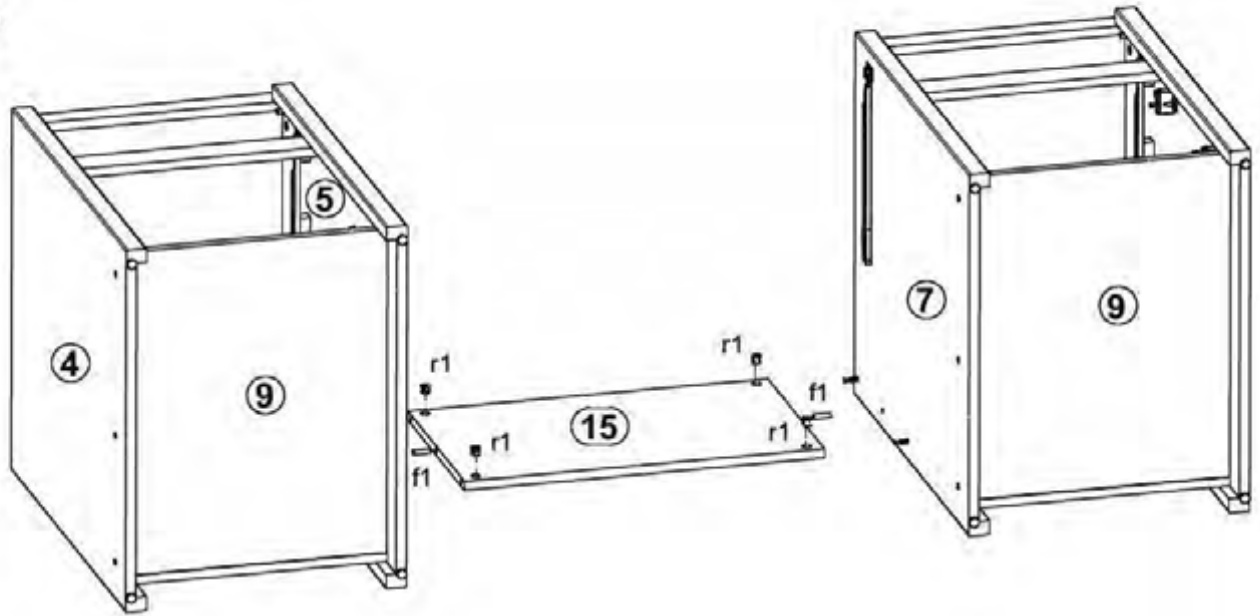
2



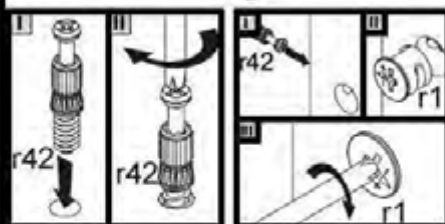
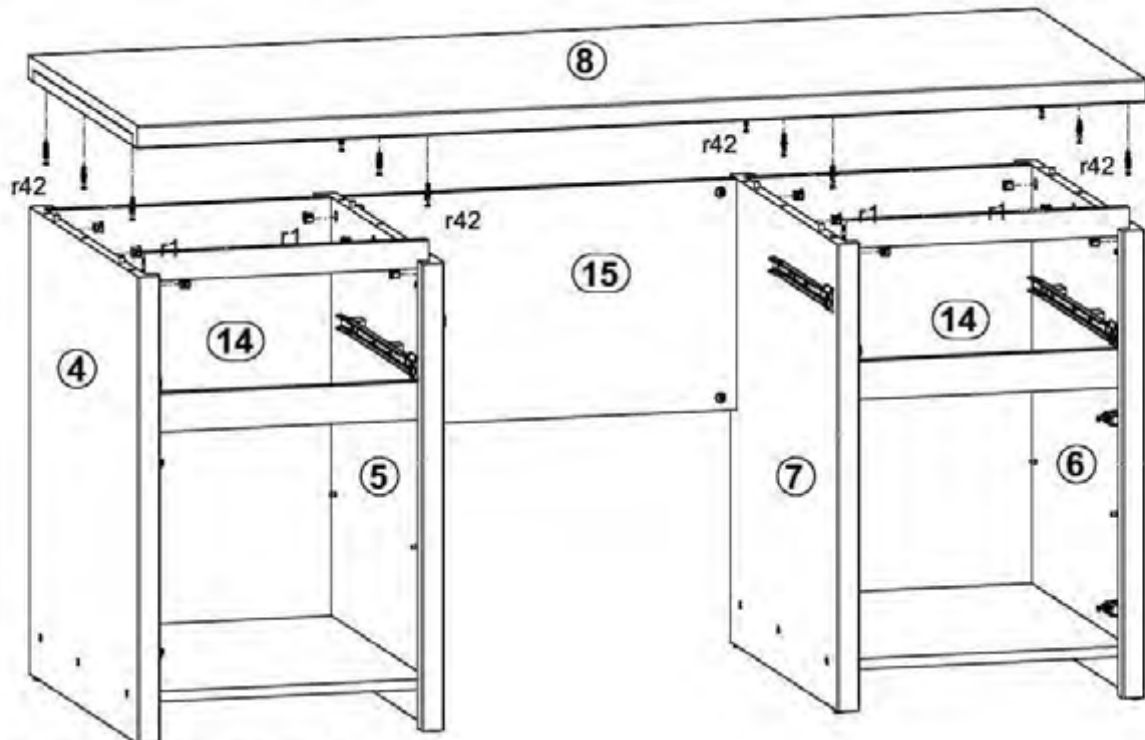
3



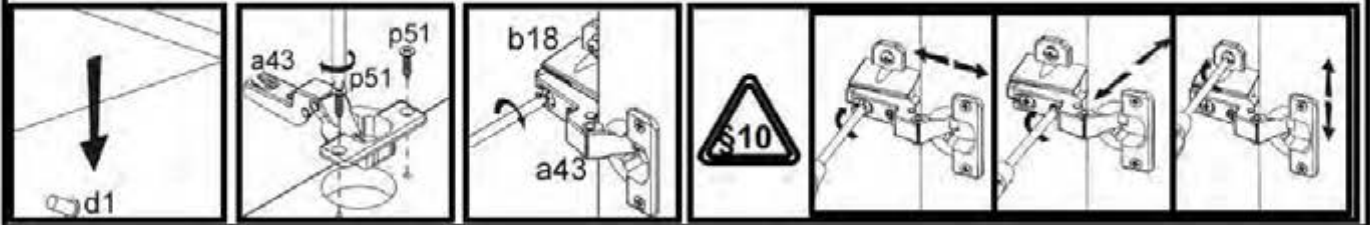
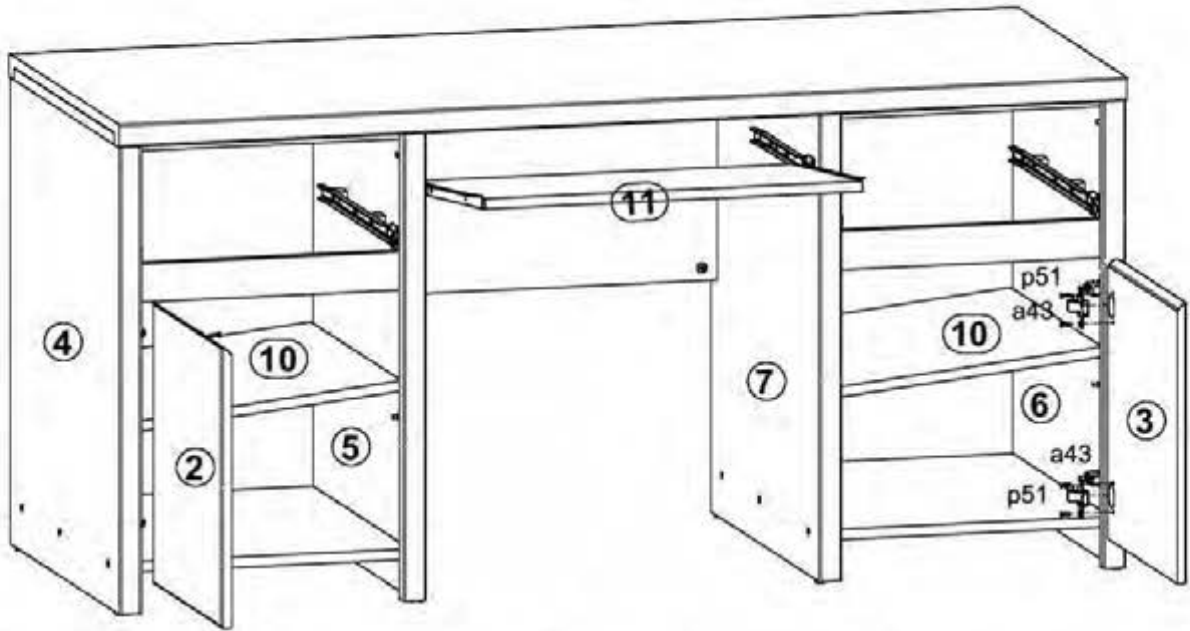
4



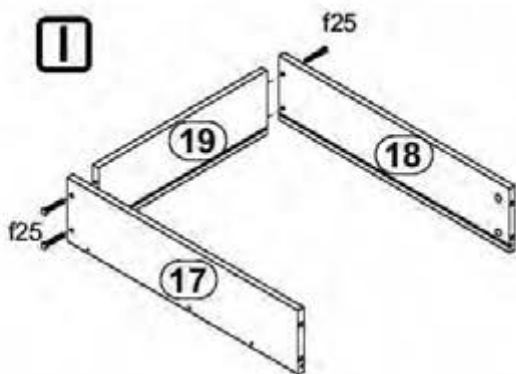
5



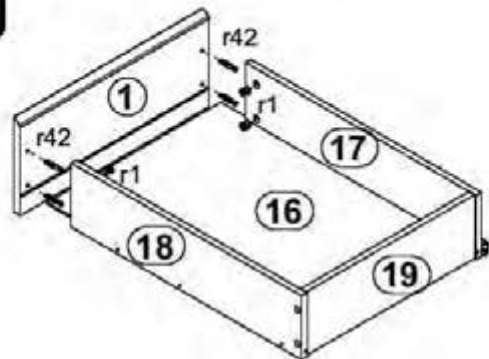
6



7



II



III

