

DEWALT®

www.DEWALT.com

DWE249

DWE349

TM!by
ONLINE STORE

<https://tm.by>
Интернет-магазин TM.by

Fig. A

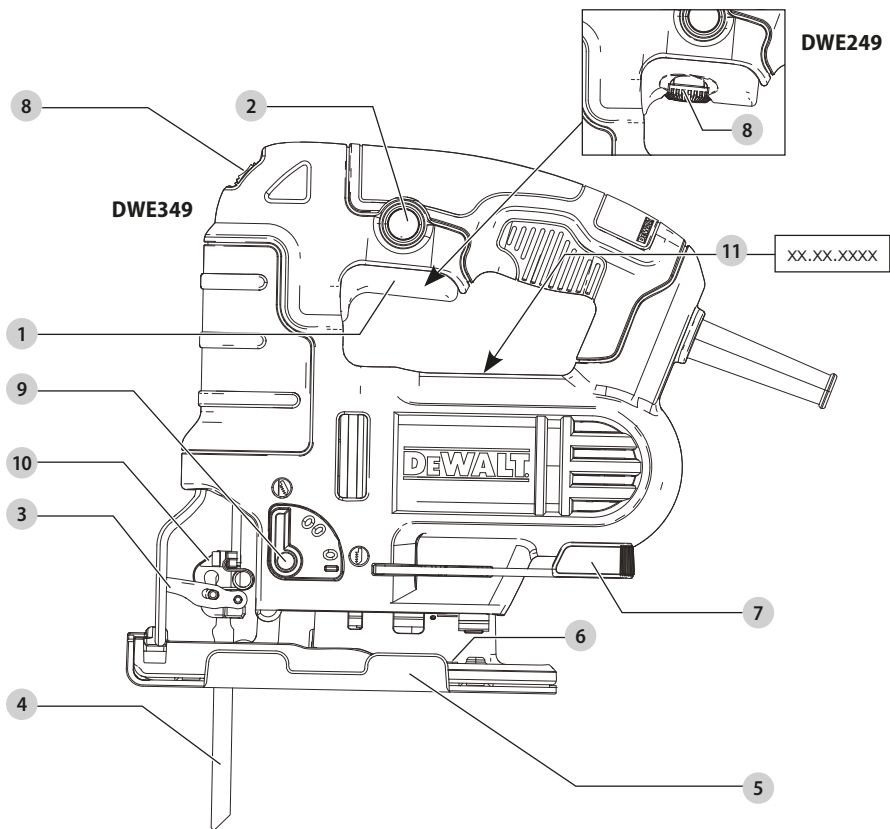


Fig. B

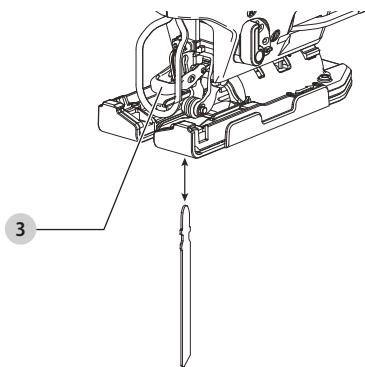


Fig. C

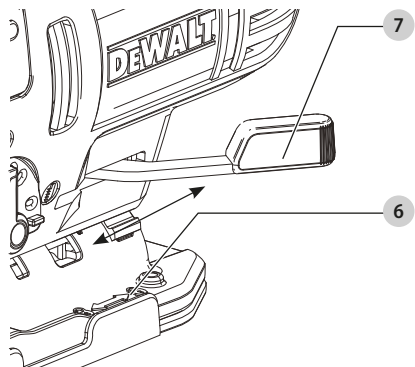


Fig. D

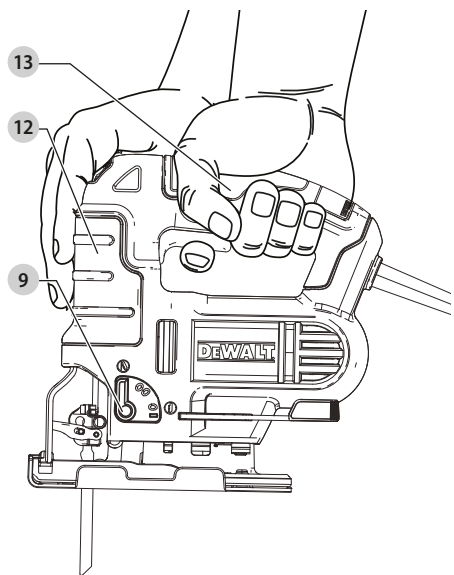


Fig. E

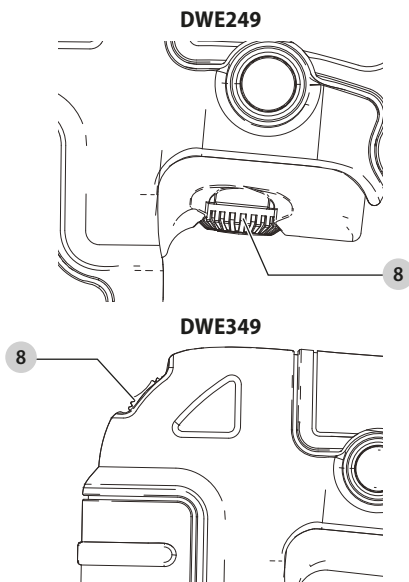


Fig. F

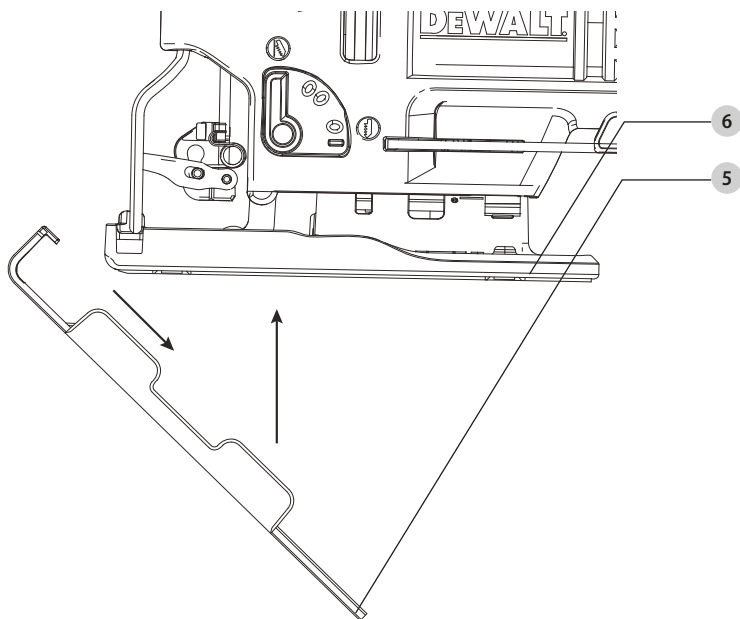


Fig. G

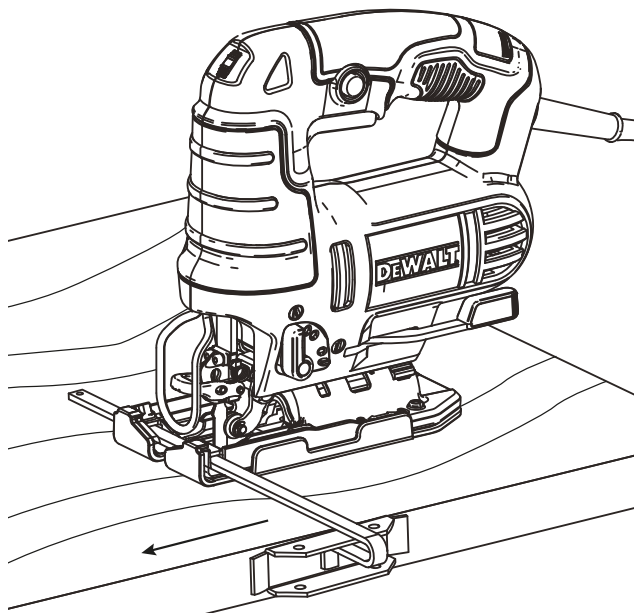
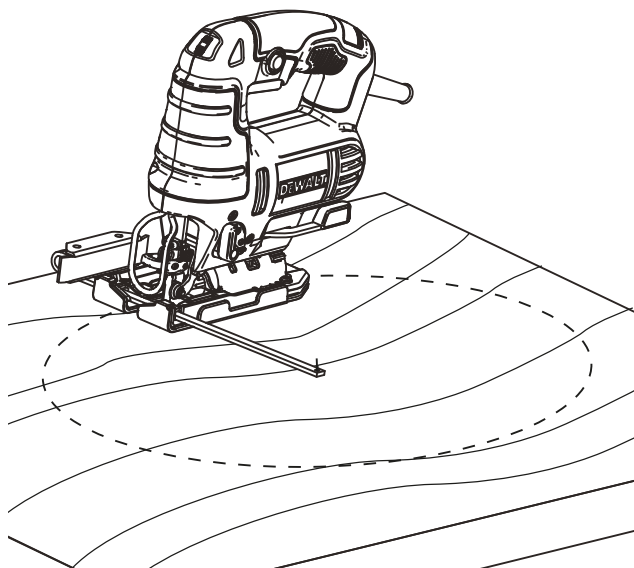


Fig. H



JIG SAW

DWE249, DWE349

Congratulations!

You have chosen a DEWALT tool. Years of experience, thorough product development and innovation make DEWALT one of the most reliable partners for professional power tool users.

Technical Data

		DWE249	DWE349
Voltage	V_{AC}	230	230
Type		1	1
Power input	W	550	650
Frequency	Hz	50	50
No-load speed	/min	500–3200	500–3200
Stroke length	mm	20	20
Bevel angle adjustment	l/r	0–45°	0–45°
Weight	kg	2.4	2.4
Cutting depth in:			
wood	mm	80	85
aluminum	mm	20	20
steel (non-alloy)	mm	10	10
Noise values and vibration values (triaux vector sum) according to EN62841-2-11:			
L_{PA} (emission sound pressure level)	dB(A)	89	89
L_{WA} (sound power level)	dB(A)	100	100
K (uncertainty for the given sound level)	dB(A)	5	5
Cutting boards			
Vibration emission value $a_{h,B} =$	m/s^2	5.6	5.6
Uncertainty K =	m/s^2	1.5	1.5
Cutting sheet metal			
Vibration emission value $a_{h,M} =$	m/s^2	8.2	8.2
Uncertainty K =	m/s^2	1.5	1.5

The vibration and/or noise emission level given in this information sheet has been measured in accordance with a standardised test given in EN62841 and may be used to compare one tool with another. It may be used for a preliminary assessment of exposure.

WARNING: The declared vibration and/or noise emission level represents the main applications of the tool. However if the tool is used for different applications, with different accessories or poorly maintained, the vibration and/or noise emission may differ. This may significantly increase the exposure level over the total working period. An estimation of the level of exposure to vibration and/or noise should also take into account the times when the tool is switched off or when it is running but not actually doing the job. This may significantly reduce the exposure level over the total working period.

Identify additional safety measures to protect the operator from the effects of vibration and/or noise such as: maintain the tool and the accessories, keep the hands warm (relevant for vibration), organisation of work patterns.

EC-Declaration of Conformity

Machinery Directive



Jigsaw

DWE249, DWE349

DEWALT declares that these products described under **Technical Data** are in compliance with: 2006/42/EC, EN62841-1:2015, EN62841-2-11: 2016.

These products also comply with Directive 2014/30/EU and 2011/65/EU. For more information, please contact DEWALT at the following address or refer to the back of the manual.

The undersigned is responsible for compilation of the technical file and makes this declaration on behalf of DEWALT.

Mark Rompel
Vice-President Engineering, PTE-Europe
DEWALT, Richard-Klinger-Straße 11,
D-65510, Idstein, Germany
01.04.2020



WARNING: To reduce the risk of injury, read the instruction manual.

Definitions: Safety Guidelines

The definitions below describe the level of severity for each signal word. Please read the manual and pay attention to these symbols.



DANGER: Indicates an imminently hazardous situation which, if not avoided, **will** result in **death or serious injury**.



WARNING: Indicates a potentially hazardous situation which, if not avoided, **could** result in **death or serious injury**.



CAUTION: Indicates a potentially hazardous situation which, if not avoided, **may** result in **minor or moderate injury**.

NOTICE: Indicates a practice **not related to personal injury** which, if not avoided, **may** result in **property damage**.



Denotes risk of electric shock.



Denotes risk of fire.

GENERAL POWER TOOL SAFETY WARNINGS



WARNING: Read all safety warnings, instructions, illustrations and specifications provided with this power tool. Failure to follow all instructions listed below may result in electric shock, fire and/or serious injury.

SAVE ALL WARNINGS AND INSTRUCTIONS FOR FUTURE REFERENCE

The term "power tool" in the warnings refers to your mains-operated (corded) power tool or battery-operated (cordless) power tool.

1) Work Area Safety

- Keep work area clean and well lit.** Cluttered or dark areas invite accidents.
- Do not operate power tools in explosive atmospheres, such as in the presence of flammable liquids, gases or dust.** Power tools create sparks which may ignite the dust or fumes.
- Keep children and bystanders away while operating a power tool.** Distractions can cause you to lose control.

2) Electrical Safety

- Power tool plugs must match the outlet. Never modify the plug in any way. Do not use any adapter plugs with earthed (grounded) power tools.** Unmodified plugs and matching outlets will reduce risk of electric shock.
- Avoid body contact with earthed or grounded surfaces, such as pipes, radiators, ranges and refrigerators.** There is an increased risk of electric shock if your body is earthed or grounded.
- Do not expose power tools to rain or wet conditions.** Water entering a power tool will increase the risk of electric shock.
- Do not abuse the cord. Never use the cord for carrying, pulling or unplugging the power tool. Keep cord away from heat, oil, sharp edges or moving parts.** Damaged or entangled cords increase the risk of electric shock.
- When operating a power tool outdoors, use an extension cord suitable for outdoor use.** Use of a cord suitable for outdoor use reduces the risk of electric shock.
- If operating a power tool in a damp location is unavoidable, use a residual current device (RCD) protected supply.** Use of an RCD reduces the risk of electric shock.

3) Personal Safety

- Stay alert, watch what you are doing and use common sense when operating a power tool. Do not use a power tool while you are tired or under the influence of drugs, alcohol or medication.** A moment of inattention while operating power tools may result in serious personal injury.
- Use personal protective equipment. Always wear eye protection.** Protective equipment such as a dust mask, non-skid safety shoes, hard hat or hearing protection used for appropriate conditions will reduce personal injuries.

- Prevent unintentional starting. Ensure the switch is in the off-position before connecting to power source and/or battery pack, picking up or carrying the tool.** Carrying power tools with your finger on the switch or energising power tools that have the switch on invites accidents.
- Remove any adjusting key or wrench before turning the power tool on.** A wrench or a key left attached to a rotating part of the power tool may result in personal injury.
- Do not overreach. Keep proper footing and balance at all times.** This enables better control of the power tool in unexpected situations.
- Dress properly. Do not wear loose clothing or jewellery. Keep your hair and clothing away from moving parts.** Loose clothes, jewellery or long hair can be caught in moving parts.
- If devices are provided for the connection of dust extraction and collection facilities, ensure these are connected and properly used.** Use of dust collection can reduce dust-related hazards.
- Do not let familiarity gained from frequent use of tools allow you to become complacent and ignore tool safety principles.** A careless action can cause severe injury within a fraction of a second.

4) Power Tool Use and Care

- Do not force the power tool. Use the correct power tool for your application.** The correct power tool will do the job better and safer at the rate for which it was designed.
- Do not use the power tool if the switch does not turn it on and off.** Any power tool that cannot be controlled with the switch is dangerous and must be repaired.
- Disconnect the plug from the power source and/or remove the battery pack, if detachable, from the power tool before making any adjustments, changing accessories, or storing power tools.** Such preventive safety measures reduce the risk of starting the power tool accidentally.
- Store idle power tools out of the reach of children and do not allow persons unfamiliar with the power tool or these instructions to operate the power tool.** Power tools are dangerous in the hands of untrained users.
- Maintain power tools and accessories. Check for misalignment or binding of moving parts, breakage of parts and any other condition that may affect the power tool's operation. If damaged, have the power tool repaired before use.** Many accidents are caused by poorly maintained power tools.
- Keep cutting tools sharp and clean.** Properly maintained cutting tools with sharp cutting edges are less likely to bind and are easier to control.
- Use the power tool, accessories and tool bits etc. in accordance with these instructions, taking into account the working conditions and the work to be performed.** Use of the power tool for operations different from those intended could result in a hazardous situation.

- h) **Keep handles and grasping surfaces dry, clean and free from oil and grease.** Slippery handles and grasping surfaces do not allow for safe handling and control of the tool in unexpected situations.

5) Service

- a) **Have your power tool serviced by a qualified repair person using only identical replacement parts.** This will ensure that the safety of the power tool is maintained.

Additional Safety Warnings for Jigsaws

- **Hold the power tool by insulated gripping surfaces, when performing an operation where the cutting accessory may contact hidden wiring or its own cord.** Cutting accessory contacting a "live" wire may make exposed metal parts of the power tool "live" and could give the operator an electric shock.
- **Use clamps or another practical way to secure and support the workpiece to a stable platform.** Holding the workpiece by hand or against your body leaves it unstable and may lead to loss of control.
- **Keep hands away from cutting area. Never reach underneath the workpiece for any reason.** Do not insert fingers or thumb into the vicinity of the reciprocating blade and blade clamp. Do not stabilize the saw by gripping the shoe.
- **Keep blades sharp.** Dull or damaged blades may cause the saw to swerve or stall under pressure. Always use the appropriate type of saw blade for the workpiece material and type of cut.
- **When cutting pipe or conduit, make sure that they are free from water, electrical wiring, etc.**
- **Do not touch the workpiece or the blade immediately after operating the tool.** They can become very hot.
- **Be aware of hidden hazards, before cutting into walls, floors or ceilings, check for the location of wiring and pipes.**
- **The blade will continue to move after releasing the switch.** Always switch the tool off and wait for the saw blade to come to a complete standstill before putting the tool down.

Electrical Safety

The electric motor has been designed for one voltage only. Always check that the power supply corresponds to the voltage on the rating plate.



Your DEWALT tool is double insulated in accordance with EN62841; therefore no earth wire is required.

If the supply cord is damaged, it must be replaced only by DEWALT or an authorised service organisation.

Mains Plug Replacement (U.K. & Ireland Only)

If a new mains plug needs to be fitted:

- Safely dispose of the old plug.
- Connect the brown lead to the live terminal in the plug.
- Connect the blue lead to the neutral terminal.



WARNING: No connection is to be made to the earth terminal.

Follow the fitting instructions supplied with good quality plugs. Recommended fuse: 13 A.

Using an Extension Cable

If an extension cable is required, use an approved 3-core extension cable suitable for the power input of this tool (see **Technical Data**). The minimum conductor size is 1.5 mm²; the maximum length is 30 m.

When using a cable reel, always unwind the cable completely.

Package Contents

The package contains:

- 1 Jigsaw
- 1 Jig saw blade
- 1 Anti-scratch shoe cover
- 1 Instruction manual
- Check for damage to the tool, parts or accessories which may have occurred during transport.
- Take the time to thoroughly read and understand this manual prior to operation.

Markings on Tool

The following pictograms are shown on the tool:



Read instruction manual before use.



Wear ear protection.



Wear eye protection.

Date Code Position (Fig. A)

The date code (11), which also includes the year of manufacture, is printed into the housing.

Example:

2020 XX XX
Year of Manufacture

Description (Fig. A)



WARNING: Never modify the power tool or any part of it. Damage or personal injury could result.

- 1 On/off switch
- 2 Lock-on button
- 3 Saw blade locking lever
- 4 Saw blade
- 5 Shoe sleeve
- 6 Shoe
- 7 Shoe beveling lever
- 8 Speed control dial
- 9 Pendulum stroke selector
- 10 Blade holder

Intended Use

Your jig saw has been designed for professional sawing applications. Your DEWALT jig saw, DWE249 or DWE349, has been designed for sawing wood, plastics, metal, rubber and ceramic plates

DO NOT use under wet conditions or in the presence of flammable liquids or gases.

These jigsaws are professional power tools.

DO NOT let children come into contact with the tool. Supervision is required when inexperienced operators use this tool.

- **Young children and the infirm.** This appliance is not intended for use by young children or infirm persons without supervision.
- This product is not intended for use by persons (including children) suffering from diminished physical, sensory or mental abilities; lack of experience, knowledge or skills unless they are supervised by a person responsible for their safety. Children should never be left alone with this product.

ASSEMBLY AND ADJUSTMENTS

WARNING: To reduce the risk of serious personal injury, turn tool off and disconnect tool from power source before making any adjustments or removing/installing attachments or accessories. An accidental start-up can cause injury.

Blade Installation (Fig. B)

WARNING: When mounting the saw blade wear protective gloves. danger of injury when touching the saw blade.

WARNING: Use only T type blades. Using blades other than T type blades cause insufficient tightening of the blade, resulting in a serious personal injury.

1. Push the saw blade locking lever **3** upward.
2. With teeth facing forward, insert the shank of the saw blade into the blade holder as far as it will go.
3. Release the lever.
4. Check to ensure blade is secure before cutting. A loose saw blade can fall out an lead to injury.

Adjusting the Shoe for Bevel Cuts (Fig. C)

WARNING: Never use the tool when the shoe is loose or removed. The shoe plate can be set to a left or right bevel angle of up to 45°.

To Set the Bevel Angle

1. Pull the shoe beveling lever **7** out and away from the saw to unlock the shoe **6** as shown in Figure C.
2. Slide the shoe forward to release it from the 0° positive stop position.
3. The shoe can be beveled to the left or to the right and has detents at 15°, 30° and 45°.
4. Set the shoe to the desired bevel angle. Use a protractor to verify angle accuracy.

5. Push the shoe beveling lever back towards the saw to lock the shoe.

To Reset the Shoe for Straight Cuts

1. Pull the shoe beveling lever **7** out and away from the saw to unlock the shoe **6** as shown in Figure C.
2. Rotate shoe to an angle of approximately 0° and then pull shoe backwards to engage the 0° positive stop.
3. Push the shoe beveling lever back towards the saw to lock the shoe.

OPERATION

Instructions for Use

WARNING: Always observe the safety instructions and applicable regulations.

WARNING: To reduce the risk of serious personal injury, turn tool off and disconnect tool from power source before making any adjustments or removing/installing attachments or accessories. An accidental start-up can cause injury.

WARNING:

- Make sure your workpiece is well secured. Remove nails, screws and other fasteners that may damage the blade.
- Check that there is sufficient space for the blade underneath the workpiece.
- Do not cut materials that exceed the maximum cutting depth of the blade.
- Use sharp saw blades only. Damaged or bent saw blades must be removed immediately.
- Do not use the tool for sawing pipes or tubes.
- Never run your tool without a saw blade.
- For optimal results, move the tool smoothly and constantly over the workpiece. Do not exert lateral pressure on the saw blade. Keep the shoe flat on the workpiece and lead the cord away in line with the tool. When sawing curves, circles or other round shapes, push the tool gently forward.
- Wait until the tool has come to a standstill before removing the saw blade from the workpiece. After sawing the blade may be very hot. Do not touch.

Proper Hand Position (Fig. D)

WARNING: To reduce the risk of serious personal injury, ALWAYS use proper hand position as shown.

WARNING: To reduce the risk of serious personal injury, ALWAYS hold securely in anticipation of a sudden reaction.

Proper hand position requires one hand on the front handle **12**, with the other hand on the main handle **13**.

Switching On and Off (Fig. A)

- To switch the tool on, squeeze the trigger switch **1**.

- For continuous operation, squeeze the trigger switch then depress the lock-on button **2**. Once lock-on button is depressed, release the trigger switch.
- To switch the tool off, release the trigger switch. To switch the tool off, when in continuous operation, squeeze the trigger and the lock will disengage.

Variable Speed Control (Fig. A, E)



WARNING: If the tool is operated continuously at low speeds for a long time, the motor will get overload and heated up.

A speed control dial **8** is located on the trigger for the DWE249 and on the top of the saw for the DWE349. The speed increases as the dial is turned from a low speed setting of 1 to a high speed setting of 6.

Refer to the table to select the proper speed for the workpiece to be cut. However, the appropriate speed may differ with the type or thickness of the workpiece. In general, higher speeds will allow you to cut workpieces faster but the service life of the blade will be reduced.

Material	Variable Speed Control Setting
Wood	5-6
Stainless steel	3-4
Mild steel	3-6
Aluminum	3-6
Plastics	1-4

Cutting Action – Orbital or Straight (Fig. A)



WARNING: Check that the tool is not locked ON before connecting it to a power supply. If the trigger switch is locked on when the tool is connected to the power supply, it will start immediately. Damage to your tool or personal injury may result.

This jig saw is equipped with four cutting actions, three orbital and one straight. Orbital action has a more aggressive blade motion and is designed for cutting in soft materials like wood or plastic. Orbital action provides a faster cut, but with a less smooth cut across the material. In orbital action, the blade moves forward during the cutting stroke in addition to the up and down motion.

NOTE: Metal or hardwoods should never be cut in orbital action.

Setting the Pendulum Stroke

1. Move the pendulum stroke selector **9** between the four cutting positions: 0, 1, 2, and 3.
2. Position 0 is straight cutting.
3. Positions 1, 2, and 3 are orbital cutting.

The aggressiveness of the cut increases as the lever is adjusted from one to three, with three being the most aggressive cut.

Removable Shoe Sleeve (Fig. F)

The non-marring shoe sleeve **5** should be used when cutting surfaces that scratch easily, such as laminate, veneer, or paint. It can also be used to protect the shoe surface during transportation and storage.

To attach shoe sleeve, place the front of the shoe **6** into the front of the shoe sleeve and lower the jig saw as shown in Figure F. The shoe sleeve will click securely onto the rear of the shoe.

To remove shoe sleeve, grasp the sleeve from the bottom at the two rear tabs and pull down and away from the shoe.

Hints for Optimum Use

Sawing laminates

As the saw blade cuts on the upward stroke, splintering may occur on the surface closest to the shoe plate.

Use a fine-tooth saw blade.

Saw from the back surface of the workpiece.

To minimize splintering, clamp a piece of scrap wood or hardboard to both sides of the workpiece and saw through this sandwich.

Sawing metal

- Be aware that sawing metal takes much more time than sawing wood.
- Use a saw blade suitable for sawing metal.
- When cutting thin metal, clamp a piece of scrap wood to the back surface of the workpiece and cut through this sandwich.
- Spread a film of oil along the intended line of cut for easier operation and longer blade life. For cutting aluminum, kerosene is preferred.

Rip/Circle Cutting (Fig. G, H)

Ripping and circle cutting without a pencil line is easily done with the rip fence / circle guide (not included; available at extra cost).

Using the screw supplied with the accessory guide, position and thread the screw into the shoe to clamp the fence securely.

When ripping, slide the rip fence under the screw from either side of the saw. Set the cross bar at desired distance from blade and tighten screw. For ripping, the cross bar should be down and against the straight edge of the workpiece.

When circle cutting, adjust rip fence so that distance from blade to hole in fence arm is at the desired radius and tighten screw. Place saw so that hole in fence arm is over center of circle to be cut (drill hole for blade or cut inward from edge of material to get blade into position). When saw is properly positioned, drive a small nail through hole in fence arm. Using rip fence as a pivot arm, begin cutting circle. For circle cutting, the cross bar should be up.

MAINTENANCE

Your power tool has been designed to operate over a long period of time with a minimum of maintenance. Continuous satisfactory operation depends upon proper tool care and regular cleaning.



WARNING: To reduce the risk of serious personal injury, turn tool off and disconnect tool from power source before making any adjustments or removing/installing attachments or accessories. An accidental start-up can cause injury.



Lubrication

Your power tool requires no additional lubrication.



Cleaning

WARNING: Blow dirt and dust out of the main housing with dry air as often as dirt is seen collecting in and around the air vents. Wear approved eye protection and approved dust mask when performing this procedure.

WARNING: Never use solvents or other harsh chemicals for cleaning the non-metallic parts of the tool. These chemicals may weaken the materials used in these parts. Use a cloth dampened only with water and mild soap. Never let any liquid get inside the tool; never immerse any part of the tool into a liquid.

Optional Accessories

WARNING: Since accessories, other than those offered by DEWALT, have not been tested with this product, use of such accessories with this tool could be hazardous. To reduce the risk of injury, only DEWALT recommended accessories should be used with this product.

Consult your dealer for further information on the appropriate accessories.

Protecting the Environment



Separate collection. Products marked with this symbol must not be disposed of with normal household waste.

Products contain materials that can be recovered or recycled reducing the demand for raw materials. Please recycle electrical products according to local provisions. Further information is available at www.2helpU.com.

ЛОБЗИКОВАЯ ПИЛА DWE249, DWE349

Поздравляем!

Вы приобрели инструмент DEWALT. Многолетний опыт, тщательная разработка изделий и инновации делают компанию DEWALT одним из самых надёжных партнеров для пользователей профессионального электроинструмента.

Технические характеристики

		DWE249	DWE349
Напряжение	$V_{\text{перем. тока}}$	230	230
Тип		1	1
Потребляемая мощность	Вт	550	650
Частота	Гц	50	50
Скорость без нагрузки	ход/ мин.	500–3200	500–3200
Длина хода	мм	20	20
Регулировка угла наклона	влево/ вправо	0–45°	0–45°
Вес	кг	2,4	2,4
Глубина пропила в материале:			
дерево	мм	80	85
алюминий	мм	20	20
сталь (нелегированная)	мм	10	10

Значения шума и вибрации (сумма векторов в трех плоскостях) в соответствии с EN62841-2-11:

L_{pa} (уровень звукового давления)	дБ(A)	89	89
L_{WA} (уровень акустической мощности)	дБ(A)	100	100
K (погрешность для заданного уровня мощности)	дБ(A)	5	5
Распил досок			
Значения вибрационного воздействия $a_{h,v} =$	м/с ²	5,6	5,6
Погрешность K =	м/с ²	1,5	1,5
Распил листового металла			
Значения вибрационного воздействия $a_{h,M} =$	м/с ²	8,2	8,2
Погрешность K =	м/с ²	1,5	1,5

Значение шумовой эмиссии и/или эмиссии вибрации, указанное в данном справочном листке, было получено в соответствии со стандартным тестом, приведенным в EN62841, и может использоваться для сравнения инструментов. Кроме того, оно может использоваться для предварительной оценки воздействия вибрации.

⚠ ОСТОРОЖНО! Заявленное значение шумовой эмиссии и/или эмиссии вибрации относится к основным областям применения инструмента.

Однако, если инструмент используется для различных целей, с различными дополнительными принадлежностями или при ненадлежащем уходе, то уровень шума и/или вибрации может измениться. Это может привести к значительному увеличению уровня воздействия вибрации в течение всего рабочего периода.

При расчете приблизительного значения уровня воздействия шума и/или вибрации также необходимо учитывать время, когда инструмент выключен или то время, когда он работает на холостом ходу. Это может привести к значительному снижению уровня воздействия вибрации в течение всего рабочего периода. Определите дополнительные меры техники безопасности для защиты оператора от воздействия шума и/или вибрации, а именно: поддержание инструмента и дополнительных принадлежностей в рабочем состоянии, создание комфортных условий работы (соответствующих вибрации), хорошая организация рабочего места.

Декларация о соответствии нормам ЕС

Директива по механическому оборудованию



Лобзиковая пила DWE249, DWE349

DEWALT заявляет, что продукция, описанная в **Технические характеристики**, соответствует:

2006/42/ЕС, EN62841-1:2015, EN62841-2-11: 2016.

Эти продукты также соответствуют Директиве 2014/30/EU и 2011/65/EU. За дополнительной информацией обращайтесь в компанию DEWALT по адресу, указанному ниже или приведенному на задней стороне обложки руководства.

Нижеподписавшийся несет ответственность за составление технической документации и составил данную декларацию по поручению компании DEWALT.

Маркус Ромпель
Вице-президент отдела по разработке и производству,
PTE-Europe
DEWALT, Richard-Klinger-Straße 11,
D-65510, Idstein, Германия
01.04.2020



ВНИМАНИЕ: Во избежание риска получения травм ознакомьтесь с инструкцией.

Обозначения: правила техники безопасности

Ниже описывается уровень опасности, обозначаемый каждым из предупреждений. Прочитайте руководство и обратите внимание на данные символы.



ОПАСНО: Обозначает опасную ситуацию, которая неизбежно приведет к **серьезной травме или смертельному исходу**, в случае несоблюдения соответствующих мер безопасности.



ВНИМАНИЕ: Указывает на потенциально опасную ситуацию, которая, в случае несоблюдения соответствующих мер безопасности, **может привести к серьезной травме или смертельному исходу**.



ПРЕДУПРЕЖДЕНИЕ: Указывает на потенциально опасную ситуацию, которая, в случае несоблюдения соответствующих мер безопасности **может стать причиной травм средней или легкой степени тяжести**.

ПОЯСНЕНИЕ: Указывает на практики, использование которых не связано с получением травмы, но если ими пренебречь, **могут привести к порче имущества**.



Указывает на риск поражения электрическим током.



Указывает на риск возгорания.

ОБЩИЕ ПРАВИЛА ТЕХНИКИ БЕЗОПАСНОСТИ ПРИ ИСПОЛЬЗОВАНИИ ЭЛЕКТРОИНСТРУМЕНТОВ



ВНИМАНИЕ: Прочитайте и просмотрите все предупреждения, инструкции, иллюстрации и спецификации по данному электроинструменту. Несоблюдение всех приведенных ниже инструкций может стать причиной поражения электрическим током, возгорания и/или тяжелой травмы.

СОХРАНИТЕ ВСЕ ИНСТРУКЦИИ ДЛЯ ПОСЛЕДУЮЩЕГО ИСПОЛЬЗОВАНИЯ

Термин «электроинструмент» в предупреждениях относится к работающим от сети (проводным) электроинструментам или работающим от аккумуляторной батарее (беспроводным) электроинструментам.

1) Безопасность на рабочем месте

- Следите за чистотой и хорошим освещением на рабочем месте.** Захламленное или плохо освещенное рабочее место может стать причиной несчастного случая.
- Запрещается работать с электроинструментами во**

взрывоопасных местах, например, вблизи легковоспламеняющихся жидкостей, газов и пыли. Искры, которые появляются при работе электроинструментов могут привести к воспламенению пыли или паров.

- Следите за тем, чтобы во время работы с электроинструментом в зоне работы не было посторонних и детей.** Отвлекаясь от работы вы можете потерять контроль над инструментом.

2) Электробезопасность

- Штепсельная вилка электроинструмента должна соответствовать розетке. Никогда не меняйте вилку инструмента. Запрещается использовать переходники к вилкам для электроинструментов с заземлением.** Использование оригинальных штепсельных вилок, соответствующих типу сетевой розетки снижает риск поражения электрическим током.
- Избегайте контакта с заземленными поверхностями, такими как трубы, радиаторы и холодильники.** Если вы будете заземлены, увеличивается риск поражения электрическим током.
- Запрещается оставлять электроинструмент под дождем и в местах повышенной влажности.** При попадании воды в электроинструмент риск поражения электротоком возрастает.
- Берегите кабель от повреждений. Никогда не используйте кабель для переноски инструмента, не тяните за него, пытайтесь отключить инструмент от сети. Держите кабель подальше от источников тепла, масла, острых углов или движущихся предметов.** Поврежденный или запутанный кабель питания повышает риск поражения электрическим током.
- При работе с электроинструментом на открытом воздухе используйте удлинитель, подходящий для использования на улице.** Использование кабеля питания, предназначенного для использования вне помещения, снижает риск поражения электрическим током.
- Если использование электроинструмента в условиях повышенной влажности неизбежно, используйте устройства защитного отключения (УЗО) для защиты сети.** Использование УЗО сокращает риск поражения электрическим током.

3) Обеспечение индивидуальной безопасности

- Будьте внимательны, смотрите, что делаете и не забывайте о здравом смысле при работе с электроинструментом. Запрещается работать с электроинструментом в состоянии усталости, наркотического, алкогольного опьянения или под воздействием лекарственных препаратов.** Невнимательность

при работе с электроинструментом может привести к серьезным телесным повреждениям.

- b) **Используйте индивидуальные средства защиты. Всегда используйте защитные очки.** Средства защиты, такие как пылезащитная маска, обувь с нескользящей подошвой, каска и защитные наушники, используемые при работе, уменьшают риск получения травм.
- c) **Примите меры для предотвращения случайного включения. Перед тем как подключить электроинструмент к сети и/или аккумуляторной батарее, возьмите инструмент или перенести его на другое место, убедитесь в том, что выключатель находится в положении «Выкл.».** Если при переноске электроинструмента он подключен к сети, и при этом ваш палец находится на выключателе, это может стать причиной несчастных случаев.
- d) **Уберите все регулировочные или гаечные ключи перед включением электроинструмента.** Ключ, оставленный на вращающейся части электроинструмента, может привести к травме.
- e) **Не пытайтесь дотянуться до слишком удаленных поверхностей. Обувь должна быть удобной, чтобы вы всегда могли сохранять равновесие.** Это позволит лучше контролировать электроинструмент в непредвиденных ситуациях.
- f) **Одевайтесь соответствующим образом. Избегайте носить свободную одежду и ювелирные украшения. Следите за тем, чтобы волосы и одежда не попали под движущиеся детали.** Возможно наматывание свободной одежды, ювелирных изделий и длинных волос на движущиеся детали.
- g) **При наличии устройств для подключения оборудования для удаления и сбора пыли необходимо обеспечить правильное их подключения и эксплуатации.** Использование устройства для пылеудаления сокращает риски, связанные с пылью.
- h) **Не позволяйте хорошему знанию от частого использования инструментов стать причиной самонадеянности и игнорирования правил техники безопасности.** небрежное действие может повлечь серьезные травмы за долю секунды.

4) Эксплуатация электроинструмента и уход за ним

- a) **Избегайте чрезмерной нагрузки электроинструмента. Используйте электроинструмент в соответствии с назначением.** Правильно подобранный электроинструмент выполнит работу более эффективно и безопасно при стандартной нагрузке.
- b) **Не пользуйтесь инструментом, если не работает выключатель.** Любым инструментом, управляемым выключением

и включением которого невозможно, опасен, и его необходимо отремонтировать.

- c) **Перед выполнением любых настроек, сменой аксессуаров или прежде чем убрать инструмент на хранение, отключите его от сети и/или снимите с него аккумуляторную батарею, если ее можно снять.** Такие превентивные меры безопасности сокращают риск случайного включения электроинструмента.
- d) **Храните электроинструмент в недоступном для детей месте и не позволяйте работать с инструментом людям, не имеющим соответствующих навыков работы с такого рода инструментами.** Электроинструмент представляет опасность в руках неопытных пользователей.
- e) **Поддерживайте электроинструмент и принадлежности в исправном состоянии. Проверьте, не нарушена ли центровка или не заклинены ли движущиеся детали, нет ли повреждений или иных неисправностей, которые могли бы повлиять на работу электроинструмента. В случае обнаружения повреждений, прежде чем приступить к эксплуатации электроинструмента, его нужно отремонтировать.** Большинство несчастных случаев происходит из-за электроинструментов, которые не обслуживаются должным образом.
- f) **Содержите режущий инструмент в остро заточенном и чистом состоянии.** Вероятность заклинивания инструмента, за которым следят должным образом и который хорошо заточен, значительно меньше, а работать с ним легче.
- g) **Используйте электроинструменты, принадлежности и насадки в соответствии с данными инструкциями, принимая во внимание условия работы и характер выполняемой работы.** Использование электроинструмента для выполнения операций, для которых он не предназначен, может привести к созданию опасных ситуаций.
- h) **Все рукоятки и поверхности захватывания должны быть сухими и без следов смазки.** Скользкие рукоятки и поверхности захватывания не позволяют обеспечить безопасность работы и управления инструментом в непредвиденных ситуациях.

5) Обслуживание

- a) **Обслуживание электроинструмента должен проводить квалифицированный специалист с использованием только оригинальных запасных частей.** Это позволит обеспечить безопасность обслуживаемого электрифицированного инструмента.

Дополнительные правила техники безопасности при использовании лобзиковых пил

- **Удерживайте электроинструмент за изолированные поверхности при выполнении работ, во время которых имеется вероятность контакта режущей принадлежности со скрытой электропроводкой или кабеля питания инструмента.** При удерживании металлических деталей инструмента, в случае перерезания находящегося под напряжением провода возможно поражение оператора электрическим током.
- **Используйте зажимы или другие уместные средства фиксации заготовки на стабильной опоре.** Если держать заготовку руками или с упором в собственное тело, то можно потерять контроль над инструментом или заготовкой.
- **Держите руки подальше от зоны разреза. Ни в коем случае не держите руки под заготовкой.** Не помещайте пальцы вблизи пильного полотна и его зажима. Не пытайтесь стабилизировать положение лобзиковой пилы, удерживая ее за подошву.
- **Следите за остротой заточки пильных полотен.** Тупые или поврежденные полотна могут привести к тому, что лобзиковая пила отклонится или заклинит под давлением. Всегда используйте полотна соответствующего типа для разных рабочих деталей и типа распила.
- **При распиле трубы или трубопровода убедитесь в том, что в них нет воды, не проходит электропроводка и т. п.**
- **Не трогайте заготовку и полотно сразу после того как закончите работу.** Они могут сильно нагреваться.
- **Перед тем, как делать отверстия в стенах, полах или потолках, проверьте места прохождения проводки и трубопроводов.**
- **Полотно продолжает двигаться после того, как будет отпущен спусковой выключатель.** Всегда выключайте инструмент и подождите, пока пильное полотно полностью остановится перед тем, как положить инструмент.

Электробезопасность

Электродвигатель рассчитан на работу только при одном напряжении в сети. Необходимо обязательно убедиться в том, что напряжение источника питания соответствует указанному на шильдике устройства. Необходимо также убедиться в том, что напряжение работы зарядного устройства соответствует напряжению в сети.



Зарядное устройство DeWALT оснащено двойной изоляцией в соответствии с требованиями EN60745; поэтому провод заземления не требуется.

В случае повреждения кабеля питания его необходимо заменить специально подготовленным кабелем, который можно приобрести в сервисных центрах DeWALT.

Использование удлинительного кабеля

Используйте удлинитель только в случаях крайней необходимости. Используйте только утвержденные удлинители промышленного изготовления, рассчитанные на мощность не меньшую, чем потребляемая мощность зарядного устройства (см. **Технические характеристики**). Минимальное поперечное сечение провода электрического кабеля должно составлять 1 мм²; максимальная длина 30 м. При использовании кабельного барабана всегда полностью разматывайте кабель.

Комплектация поставки

В комплектацию входит:

- 1 Лобзиковая пила
- 1 Пильное полотно для лобзиковой пилы
- 1 Крышка подошвы для защиты от царапин
- 1 Руководство по эксплуатации
- Проверьте на наличие поврежденных инструмента, его деталей или дополнительных принадлежностей, которые могли возникнуть во время транспортировки.
- Перед началом работы необходимо внимательно прочитать настоящее руководство и принять к сведению содержащуюся в нем информацию.

Маркировка на инструменте

На инструмент нанесены следующие обозначения:



Перед началом работы прочтите руководство по эксплуатации.



Используйте защитные наушники.



Используйте защитные очки.

Место положения кода даты (Рис. [Fig.] A)

Код даты **11**, который также включает в себя год изготовления, отштампован на поверхности корпуса инструмента.

Пример:

2020 XX XX
Год изготовления

Описание (Рис. A)



ВНИМАНИЕ: Никогда не вносите изменения в конструкцию электроинструмента или какой-либо его части. Это может привести к повреждению или травме.

- 1 Пусковой выключатель
- 2 Кнопка блокировки пускового выключателя
- 3 Зажимной рычаг пильного полотна
- 4 Пильный диск

- 5 Съемная крышка подошвы
- 6 Подошва
- 7 Рычаг установки наклона подошвы
- 8 Регулятор
- 9 Переключатель маятникового хода
- 10 Держатель полотна

Назначение

Ваша лобзиковая пила предназначена для выполнения профессиональных работ по пиленнию. Ваша лобзиковая пила DeWALT DWE249 предназначена для распила древесины, пластика, металла, резины и керамической плитки

НЕ ИСПОЛЬЗУЙТЕ в условиях повышенной влажности или поблизости от легковоспламеняющихся жидкостей или газов.

Данные лобзиковые пилы являются профессиональными электроинструментами.

НЕ РАЗРЕШАЙТЕ детям прикасаться к инструменту. Использование инструмента неопытными пользователями должно происходить под контролем опытного лица.

- Данный инструмент не предназначен для использования лицами (включая детей) с ограниченными физическими, психическими и умственными возможностями, не имеющими опыта, знаний или навыков работы с ним, если они не находятся под наблюдением лица, ответственного за их безопасность. Никогда не оставляйте детей без присмотра с этим инструментом.

СБОРКА И РЕГУЛИРОВКА

⚠ ВНИМАНИЕ: *Чтобы снизить риск получения серьезной травмы, необходимо выключить инструмент и отсоединить батарею, прежде чем выполнять какую-либо регулировку либо удалять/устанавливать какие-либо насадки или дополнительные принадлежности. Случайный запуск может привести к травме.*

Установка пильного полотна (Рис. В)

⚠ ВНИМАНИЕ: *При установке пильного полотна надевайте защитные перчатки. Опасность получения травмы от касания пильного полотна.*

⚠ ВНИМАНИЕ: *Используйте только пильные полотна T-типа. Использование пильных полотен другого типа может стать причиной недостаточной натяжки пильного полотна в зажиме, что может привести к получению тяжелой травмы.*

1. Поднимите зажимной рычаг пильного полотна **3** вверх.
2. Поверните пильное полотно зубьями вперед и вставьте его хвостовик в держатель до упора.
3. Отпустите рычаг.
4. Перед началом резания убедитесь в полной фиксации пильного полотна. Незакрепленное пильное полотно может выпасть и стать причиной получения травмы.

Регулировка подошвы для распилов с наклоном (Рис. С)

⚠ ВНИМАНИЕ: *Никогда не используйте инструмент без подошвы или с плохо закрепленной подошвой. Подошва может быть отрегулирована на левый или правый угол среза наклоном до 45 °.*

Установка угла наклона

1. Отведите рычаг установки наклона **7** в сторону от пилы, чтобы разблокировать подошву **6**, как показано на Рисунке С.
2. Передвиньте подошву вперед, выводя ее из фиксированного положения 0 °.
3. Подошву можно устанавливать под углом 15 °, 30 ° и 45 ° влево и вправо.
4. Установите подошву под нужным углом. Воспользуйтесь угломером для проверки точности угла.
5. Чтобы заблокировать подошву, переведите рычаг установки наклона назад к пиле.

Установка подошвы для выполнения прямого распила

1. Отведите рычаг установки наклона **7** в сторону от пилы, чтобы разблокировать подошву **6**, как показано на Рисунке С.
2. Поверните подошву на угол приблизительно 0 °, затем потяните подошву назад, чтобы задействовать упор 0 °.
3. Чтобы заблокировать подошву, переведите рычаг установки наклона назад к пиле.

ЭКСПЛУАТАЦИЯ

Инструкции по использованию

⚠ ВНИМАНИЕ: *Всегда следуйте указаниям действующих норм и правил безопасности.*

⚠ ВНИМАНИЕ: *Чтобы снизить риск получения серьезных травм, выключайте инструмент и отключайте его от сети перед тем, как выполнять какие-либо настройки или снимать/устанавливать насадки или принадлежности. Случайный запуск может привести к травме.*

⚠ ВНИМАНИЕ:

- Убедитесь, что заготовка надежно закреплена. Извлеките гвозди, винты и другие крепежные детали, которые могут повредить полотно.
- Убедитесь, что под заготовкой для полотна остается достаточно места.
- Не распиливайте материалы, которые превышают максимальную глубину пропила в материале.
- Используйте только острые пильные полотна. Поврежденные или погнутые пильные полотна необходимо немедленно извлекать.

- Не используйте инструмент для разрезания труб или трубок.
- Не запускайте инструмент без установленного пильного полотна.
- Для достижения оптимальных результатов, двигайте инструмент по заготовке плавно и постоянно. Не подвергайте пильное полотно поперечным нагрузкам. Держите подошву ровно прижатой к заготовке и вытягивайте провод в направлении параллельно инструменту. При распиловке кривых, кругов или других округлых фигур, двигайте инструмент вперед аккуратно.
- Прежде чем извлечь пильное полотно из заготовки, дождитесь полной остановки инструмента. После работы инструмент может сильно нагреться. Не прикасайтесь.

Правильное положение рук (Рис. D)

⚠ ВНИМАНИЕ: Во избежание риска получения серьезных травм, **ВСЕГДА** используйте правильное положение рук как показано на рисунке.

⚠ ВНИМАНИЕ: Для снижения риска получения тяжелой травмы, **ВСЕГДА** надежно удерживайте инструмент, предупреждая внезапные сбои в работе.

При правильном расположении рук одна рука находится на передней рукоятке **12**, а другая на основной рукоятке **13**.

Включение и выключение (Рис. A)

- Чтобы включить инструмент, нажмите на курковый пусковой выключатель **1**.
- Для непрерывного режима работы нажмите на курковый пусковой выключатель, а затем на кнопку блокировки выключателя **2**. Нажав на кнопку блокировки, отпустите курковый пусковой выключатель.
- Чтобы выключить инструмент, отпустите курковый пусковой выключатель. Для выключения непрерывного режима работы нажмите на курковый пусковой выключатель и блокировка автоматически отключится.

Дисковой переключатель скорости (Рис. A, E)

⚠ ВНИМАНИЕ: При долгой непрерывной работе на низких скоростях двигатель перегреется и перегрузится.

Дисковой переключатель скорости **8** расположен на курковом пусковом выключателе на модели DWE249 и в верхней части инструмента на модели DWE349. Скорость переключается путем поворота дискового переключателя между позициями низкой скорости 1 и высокой скорости 6. Чтобы выбрать скорость, наиболее подходящую для распила заготовки, см. таблицу ниже. Однако выбор скорости может также зависеть от типа или толщины заготовки. В большинстве случаев, более высокие скорости позволяют более быстро распилить заготовку, однако, срок службы пильных полотен заметно сократится.

Материал	Дисковой переключатель скорости
Древесина	5-6
Нержавеющая сталь	3-4
Мягкая сталь	3-6
Алюминий	3-6
Пластики	1-4

Режущее действие — круговое или прямолинейное (Рис. A)

⚠ ВНИМАНИЕ: Убедитесь, что инструмент не заблокирован в положении «ВКЛ.», прежде чем подключать его к источнику питания. Если курковый пусковой выключатель при подаче питания находится во включенном положении, инструмент внезапно начнет работать. Это может привести к повреждению инструмента и получению травмы.

Данная лобзиковая пила имеет четыре режима резания: три круговых и один прямолинейный. Круговое резание отличается более резким движением пильного полотна и предназначено для обработки мягких материалов, таких как древесина или пластик. Круговое движение обеспечивает быстрый рез, но его поверхность менее гладкая. При круговом движении пильное полотно движется вперед при каждом ходе, кроме этого, вверх и вниз.

ПРИМЕЧАНИЕ: Никогда не используйте круговое движение при пилении твердой древесины или металла.

Регулировка маятникового хода

1. Установите переключатель маятникового хода **9** на одну из позиций режущего действия: 0, 1, 2, и 3.
2. Позиция 0 – прямолинейное резание.
3. Позиции 1, 2 и 3 – круговое резание.

Энергичность реза увеличивается при переводе рычага с первой до третьей позиции; третья позиция используется для наиболее быстрого и резкого резания.

Съемная крышка подошвы (Рис. F)

Защитная крышка подошвы **5** должна использоваться при обработке легко повреждаемых поверхностей, например, ламината, однослойной фанеры или окрашенных поверхностей. Она также может использоваться в целях защиты поверхности подошвы от повреждений во время переноски или хранения.

Чтобы установить крышку, расположите переднюю часть подошвы **6** в передней части крышки и опустите лобзиковую пилу, как показано на Рисунке F. Крышка защелкнется на задней части подошвы.

Чтобы снять защитную крышку, возьмитесь за крышку снизу за два задних язычка, потяните крышку вниз и снимите ее с подошвы.

Советы по оптимальному использованию

Пиление ламината

Поскольку пильное полотно выполняет рез при ходе вверх, на поверхности заготовки рядом с подошвой пилы могут появиться повреждения.

Используйте пильное полотно с мелкими зубьями.

Выполняйте пиление с обратной стороны заготовки.

Чтобы избежать расщепления ламината, поместите заготовку между двумя панелями из древесины или ДСП и пилите получившуюся сэндвич-панель.

Пиление металла

- Учитывайте, что распил металла занимает гораздо больше времени, чем распил древесины.
- Используйте пильное полотно, предназначенное для пиления металла.
- Для пиления тонколистового металла, прикрепите деревянную панель к обратной стороне заготовки и выполняйте распил получившейся сэндвич-панели.
- Нанесите масляную пленку вдоль предполагаемой линии распила – это облегчит работу и продлит срок службы пильного полотна. При пилении алюминия рекомендуется в качестве смазки использовать керосин.

Продольный/круговой распил (Рис. G, H)

При выполнении продольной или круговой распиловки без намеченной карандашной линии используйте направляющую планку / круговую направляющую (не включены в комплект поставки инструмента; покупаются отдельно).

Вставьте винт, входящий в комплект поставки направляющей, в подошву и затяните его, чтобы надежно зафиксировать направляющую планку.

При выполнении продольного распила передвиньте направляющую планку под винтом на одной из сторон пилы. Установите поперечину на необходимом расстоянии от пильного полотна и затяните винт. При продольном пилении поперечина должна быть повернута вниз и находиться вплотную к прямому краю заготовки.

При выполнении кругового распила отрегулируйте положение направляющей планки, чтобы между пильным полотном и отверстием в направляющей был достигнут нужный радиус, затем затяните винт. Расположите пилу таким образом, чтобы отверстие в направляющей оказалось ровно по центру выпиливаемого круга (чтобы пильное полотно удобнее заняло свою позицию, посверлите отверстие или сделайте рез от края по направлению к центру). Расположив пилу должным образом, вставьте в отверстие в направляющей маленький гвоздь. Используя направляющую в качестве поворотной рукоятки, начните выпиливать круг. При круговом распиле поперечина должна быть повернута вверх.

ТЕХНИЧЕСКОЕ ОБСЛУЖИВАНИЕ

Электроинструмент имеет длительный срок эксплуатации и требует минимальных затрат на техобслуживание. Для длительной безотказной работы необходимо обеспечить правильный уход за инструментом и его регулярную очистку.



ВНИМАНИЕ: Чтобы снизить риск получения серьезных травм, выключайте инструмент и отключайте его от сети перед тем, как выполнять какие-либо настройки или сменить/устанавливать насадки или принадлежности. Убедитесь, что курковый переключатель находится в положении ВЫКЛ. Непреднамеренный запуск инструмента может привести к получению травмы.



Смазка

Ваш электроинструмент не требует дополнительной смазки.



Чистка



ВНИМАНИЕ: Выдувайте грязь и пыль из корпуса сухим сжатым воздухом по мере видимого скопления грязи внутри и вокруг вентиляционных отверстий. Выполняйте очистку, надев средство защиты глаз и респиратор утвержденного типа.



ВНИМАНИЕ: Никогда не используйте растворители или другие агрессивные химические средства для очистки неметаллических деталей инструмента. Эти химикаты могут ухудшить свойства материалов, примененных в данных деталях. Используйте ткань, смоченную в воде с мягким мылом. Не допускайте попадания какой-либо жидкости внутрь инструмента; ни в коем случае не погружайте какую-либо часть инструмента в жидкость.

Дополнительные принадлежности



ВНИМАНИЕ: Поскольку принадлежности, отличные от тех, которые предлагает DEWALT, не проходили тесты на данном изделии, то использование этих принадлежностей может привести к опасной ситуации. Во избежание риска получения травмы, с данным продуктом должны использоваться только рекомендованные DEWALT дополнительные принадлежности.

По вопросу приобретения дополнительных принадлежностей обращайтесь к Вашему дилеру.

Защита окружающей среды



Отдельная утилизация. Изделия с данным символом на маркировке запрещается утилизировать с обычными бытовыми отходами.

Изделия содержат материалы, которые могут быть извлечены или переработаны, снижая потребность в исходном сырье. Пожалуйста, утилизируйте электрические изделия в соответствии с местными нормами. Дополнительная информация доступна по адресу www.2helpU.com.



Приложение к руководству по эксплуатации электрооборудования для определения месяца производства по номеру текущей календарной недели года

Электрооборудование торговых марок "Dewalt", "Stanley", "Stanley FatMAX", "BLACK+DECKER".

Директивы 2014/30/EU ЕВРОПЕЙСКОГО ПАРЛАМЕНТА И СОВЕТА от 26 февраля 2014 г. "О гармонизации законодательства Государственных ЕС в области электромагнитной совместимости", 2006/42/ЕС ЕВРОПЕЙСКОГО ПАРЛАМЕНТА И СОВЕТА от 17 мая 2006 г. "О машинах и оборудовании"; 2014/35/EU ЕВРОПЕЙСКОГО ПАРЛАМЕНТА И СОВЕТА от 26 февраля 2014 г. "О гармонизации законодательства государств-членов в области размещения на рынке электрооборудования, предназначенного для использования в определенных пределах напряжения". Серийный выпуск.

ТОВАР СЕРТИФИЦИРОВАН

Орган по сертификации "РОСТЕСТ- Москва", Адрес: 119049, г. Москва, улица Житная, д. 14, стр. 1; 117418, Москва, Нахимовский просп., 31 (фактический), Телефон: (499) 1292311, (495) 6682893, Факс: (495) 6682893, E-mail: office@rostest.ru
 Изготовитель: Изготовитель: Блэк энд Декер Холдингс ГмбХ, Германия, 65510, Идштайн, ул. Блэк энд Декер, 40, тел. +496126212790.

Уполномоченное изготовителем юр.лицо:

ООО "Стэнли Блэк энд Декер", 117485, город Москва, улица Обручева, дом 30/1, строение 2
 Телефон: + 7 (495) 258-3981, факс: + 7 (495) 258-3984, E-mail: inbox@dewalt.com
 Сведения о импортере указаны в сопроводительной документации и/или на упаковке

Хранение.

Необходимо хранить в сухом месте, вдали от источников повышенных температур и воздействия солнечных лучей. При хранении необходимо избегать резкого перепада температур. Хранение без упаковки не допускается

Срок службы.

Срок службы изделия составляет 5 лет. Не рекомендуется к эксплуатации по истечении 5 лет хранения с даты изготовления без предварительной проверки.

Дата изготовления (код даты) указана на корпусе инструмента. Код даты, который также включает год изготовления, отштампован на поверхности корпуса изделия.

Пример:

2014 46 XX, где 2014 –год изготовления, 46–неделя изготовления.

Определить месяц изготовления по указанной неделе изготовления можно согласно приведенной ниже таблице.

Транспортировка.

Категорически не допускается падение и любые механические воздействия на упаковку при транспортировке.

При разгрузке/погрузке не допускается использование любого вида техники, работающей по принципу зажима упаковки.

Перечень критических отказов, возможные ошибочные действия персонала.

Не допускается эксплуатация изделия:

- При появлении дыма из корпуса изделия
- При поврежденном и/или оголенном сетевом кабеле
- При повреждении корпуса изделия, защитного кожуха, рукоятки
- при попадании жидкости в корпус
- при возникновении сильной вибрации
- при возникновении сильного искрения внутри корпуса

Критерии предельных состояний.

- При поврежденном и/или оголенном сетевом кабеле
- при повреждении корпуса изделия

Месяц	Январь	Февраль	Март	Апрель	Май	Июнь	Июль	Август	Сентябрь	Октябрь	Ноябрь	Декабрь	Год производства
Неделя	1	5	9	14	18	23	27	31	36	40	44	49	2018
	2	6	10	15	19	24	28	32	37	41	45	50	
	3	7	11	16	20	25	29	33	38	42	46	51	
	4	8	12	17	21	26	30	34	39	43	47	52	
Неделя			13		22			35			48		2019
	1	6	10	14	18	23	27	31	36	40	45	49	
	2	7	11	15	19	24	28	32	37	41	46	50	
	3	8	12	16	20	25	29	33	38	42	47	51	
	4	9	13	17	21	26	30	34	39	43	48	52	
Неделя					22			35		44			2020
	1	6	10	14	19	23	27	32	36	40	45	49	
	2	7	11	15	20	24	28	33	37	41	46	50	
	3	8	12	16	21	25	29	34	38	42	47	51	
	4	9	13	17	22	26	30	35	39	43	48	52	
Неделя				18			31			44			2021
	2	6	10	14	19	23	27	32	36	41	45	49	
	3	7	11	15	20	24	28	33	37	42	46	50	
	4	8	12	16	21	25	29	34	38	43	47	51	
	5	9	13	17	22	26	30	35	39	44	48	52	
Неделя				18			31		40			1	2022
	2	6	10	15	19	23	28	32	36	41	45	49	
	3	7	11	16	20	24	29	33	37	42	46	50	
	4	8	12	17	21	25	30	34	38	43	47	51	
	5	9	13	18	22	26	31	35	39	44	48	52	
			14			27			40			1	

